

0CD50-M06751EN

P R E F A C E

This parts catalog is the 2nd edition of 4TNV86CHT-MJLW, 4TNV86CHT-MJLW5 for Liebherr.

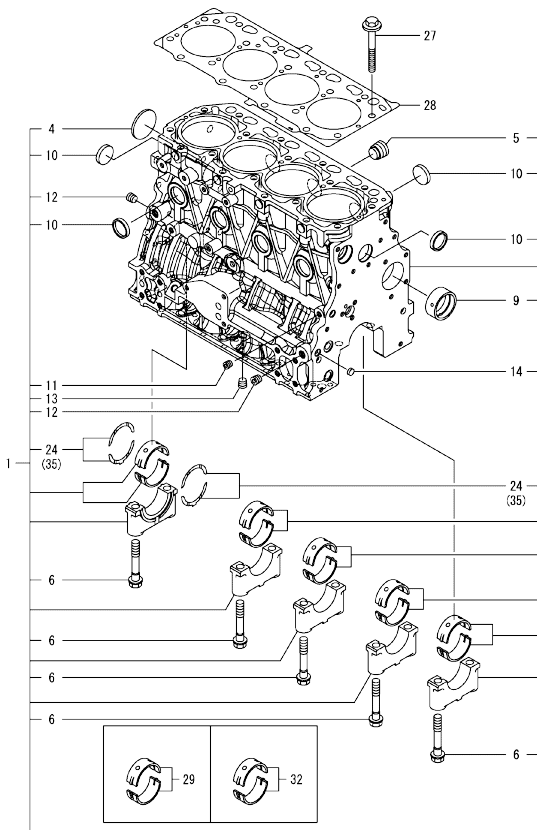
Published : June, 2021

Contents

0CD50-M06751

Fig. No.	Fig. Name	Fig. No.	Fig. Name
ENGINE			
1.	CYLINDER BLOCK		
2.	GEAR HOUSING		
3.	FLYWHEEL HOUSING & OIL SUMP		
4.	CYLINDER HEAD & BONNET		
5.	SUCTION MANIFOLD		
6.	EXHAUST MANIFOLD		
7.	DIESEL PARTICULATE FILTER(DPF)		
8.	CAMSHAFT & DRIVING GEAR		
9.	TURBINE		
10.	CRANKSHAFT & PISTON		
11.	LUB. OIL SYSTEM		
12.	LUB. OIL PIPING		
13.	COOLING WATER SYSTEM		
14.	FUEL SUPPLY PUMP		
15.	FUEL INJECTION VALVE		
16.	FUEL PIPE		
17.	STARTER MOTOR		
18.	GENERATOR		
19.	ELECTRONIC CONTROL UNIT(ECU)		
20.	ELECTRIC PARTS		
21.	ACCESSORY		
22.	GASKET SET		

Fig.1. CYLINDER BLOCK



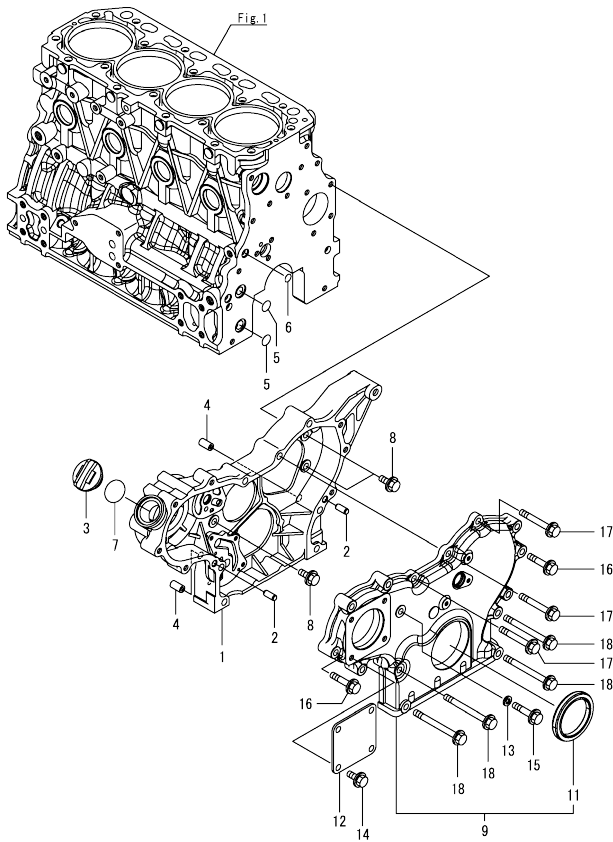
(A)=4TNV86CHT-MJLW
(B)=4TNV86CHT-MJLW5
(C)=

(D)=
(E)=
(F)=

No.	Lev.	Parts No.	Description	Q'ty						I	R
				(A)	(B)	(C)	(D)	(E)	(F)		
1	1	129C01-01560	BLOCK ASSY, CYLINDER	1	1						
4	2	129001-01250	PLUG, 50	1	1						
5	2	171051-01921	PLUG, NPTF1	1	1						
6	2	129150-02020	BOLT, METAL CAP	10	10						
9	2	129795-02412	BUSH, CAMSHAFT	1	1						
10	2	27241-300000	PLUG(30)	8	8						
11	2	124060-01050	PLUG, PT1/8	1	1						
12	2	124160-01910	PLUG, PT1/4	2	2						
13	2	124160-01910	PLUG, PT1/4	1	1						
14	2	27241-120000	PLUG, 12	1	1						
24	2	129150-02931	METAL ASSY, THRUST	2	2						
27	1	129150-01200	BOLT, CYLINDER HEAD	18	18						
28	1	129C01-01331	GASKET ASSY, HEAD	1	1						
29	1	129001-02931	METAL ASSY, MAIN	5	5						1
32	1	129150-02871	METAL ASSY, MAIN .25	5	5						2
35	1	129150-02941	METAL ASSY, 0.25 OS	1	1						3

Remarks
 (1)Spare parts.
 (2)Under-sized(U.S.=0.25) parts.
 (3)Over-sized(O.S.=0.25) parts.

Fig.2. GEAR HOUSING



(A)=4TNV86CHT-MJLW
(B)=4TNV86CHT-MJLW5
(C)=

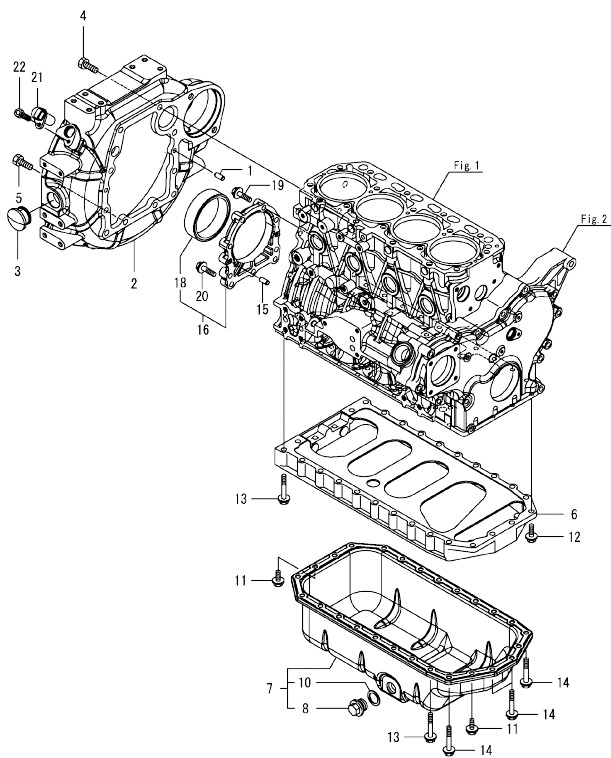
(D)=
(E)=
(F)=

No.	Lev.	Parts No.	Description	Q'ty						I	R
				(A)	(B)	(C)	(D)	(E)	(F)		
1	1	129A23-01500	CASE, GEAR	1	1						
2	1	129100-01580	PIN, PARALLEL 8X16	2	2						
3	1	124160-01751	CAP, FILLER	1	1						
4	1	129795-01950	PIPE, KNOCK L=18	2	2						
5	1	119609-32040	O-RING, P16	2	2						
6	1	119624-32040	O-RING, P12.0	1	1						
7	1	24311-000320	O-RING, 1AP32.0	1	1						
8	1	26106-080162	BOLT, M8X 16 PLATED	3	3						
9	1	129A00-01550	COVER ASSY, CASE	1	1						
11	2	119934-01800	SEAL, OIL	1	1						
12	1	124240-01871	COVER, HYDRAULIC PUMP	1	1						
13	1	22190-080002	WASHER, SEAL 8	1	1						
14	1	26106-080162	BOLT, M8X 16 PLATED	4	4						
15	1	26106-080352	BOLT, M8X 35 PLATED	1	1						
16	1	26106-080402	BOLT, M8X 40 PLATED	7	7						
17	1	26106-080602	BOLT, M8X 60 PLATED	3	3						
18	1	26106-080852	BOLT, M8X 85 PLATED	4	4						

Fig.3. FLYWHEEL HOUSING & OIL SUMP

(A)=4TNV86CHT-MJLW
 (B)=4TNV86CHT-MJLW5
 (C)=

(D)=
 (E)=
 (F)=

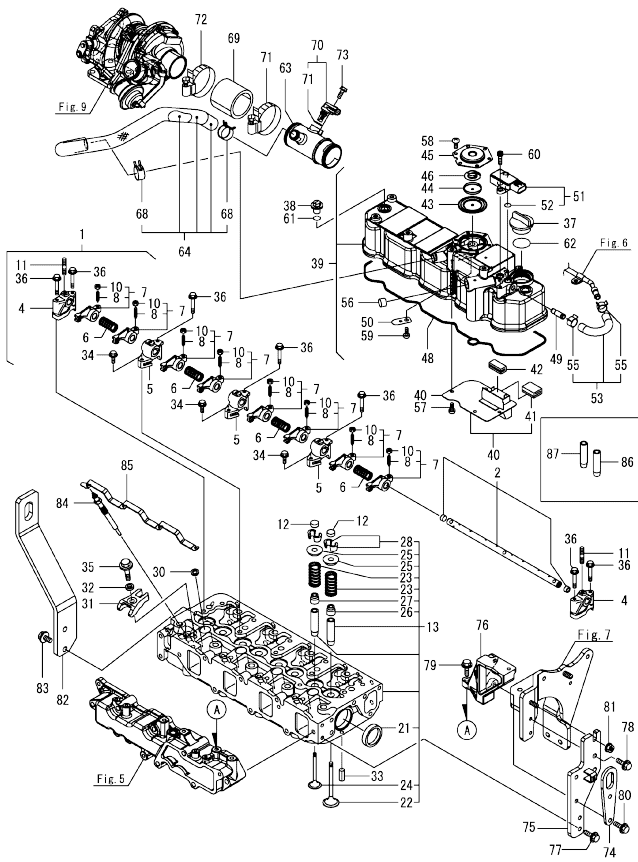


No.	Lev.	Parts No.	Description	Q'ty						I	R
				(A)	(B)	(C)	(D)	(E)	(F)		
1	1	129100-01580	PIN, PARALLEL 8X16	2	2						
2	1	129C01-01600	HOUSING, FLYWHEEL	1	1						
3	1	119620-01750	CAP, WHEEL COVER	1	1						
4	1	26206-100252	BOLT, M10X 25 PLATED	6	6						
5	1	26206-100302	BOLT, M10X 30 PLATED	4	4						
6	1	129400-01730	SPACER, OIL PAN	1	1						
7	1	129436-01780	OIL PAN ASSY	1	1						
8	2	119640-01640	PLUG, DRAIN M22	1	1						
10	2	22190-220002	WASHER, SEAL 22	1	1						
11	1	26106-080162	BOLT, M8X 16 PLATED	4	4						
12	1	26106-080252	BOLT, M8X 25 PLATED	2	2						
13	1	26106-080452	BOLT, M8X 45 PLATED	20	20						
14	1	26106-080502	BOLT, M8X 50 PLATED	4	4						
15	1	129100-01580	PIN, PARALLEL 8X16	2	2						
16	1	129648-01600	CASE ASSY, OIL SEAL	1	1						
18	2	129648-01780	SEAL, OIL	1	1						
19	1	129486-01670	BOLT, M8X30	6	6						
20	1	26106-080352	BOLT, M8X 35 PLATED	3	3						
21	1	129A00-21710	SENSOR, FLYWHEEL	1	1						1
22	1	26450-060162	BOLT, M6X 16	1	1						

Remarks

(1)When replacing this part, it is necessary to update the software of the ECU using the designated service tool.

Fig.4. CYLINDER HEAD & BONNET



(A)=4TNV86CHT-MJLW
(B)=4TNV86CHT-MJLW5
(C)=

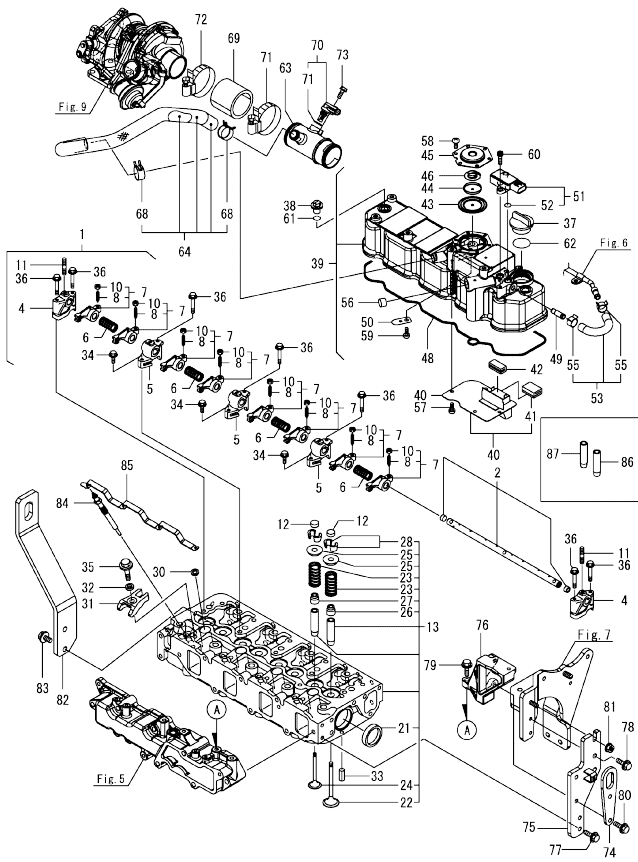
(D)=
(E)=
(F)=

No.	Lev.	Parts No.	Description	Q'ty						I	R
				(A)	(B)	(C)	(D)	(E)	(F)		
1	1	129601-11241	SHAFT ASSY, ROCKER	1	1						
2	2	129601-11251	SHAFT, ROCKER ARM	1	1						
4	2	119802-11260	SUPPORT, ROCKER ARM	2	2						
5	2	119802-11270	SUPPORT, ROCKER ARM	3	3						
6	2	129150-11280	SPRING, SHAFT	4	4						
7	2	129004-11650	ARM ASSY, ROCKER	8	8						
8	3	129150-11230	SCREW, VALVE ADJUST	8	8						
10	3	129150-11750	NUT, M8XP1.0	8	8						
11	2	26226-080182	STUD, M8X 18	3	3						
12	1	129150-11370	CAP, VALVE	8	8						
13	1	129C01-11700	HEAD ASSY, CYLINDER	1	1						
21	2	27241-400000	PLUG, 40	2	2						
22	2	129005-11100	VALVE, INTAKE	4	4						
23	2	129795-11120	SPRING, VALVE	8	8						
24	2	129100-11130	VALVE, EXHAUST	4	4						
25	2	129795-11180	RETAINER, SPRING	8	8						
26	2	124460-11340	SEAL, VALVE STEM	4	4						
27	2	129A00-11340	SEAL, VALVE STEM	4	4						
28	2	27310-080001	COTTER, 8	8	8						
30	1	129978-11871	GASKET, INJECTOR	4	4						
31	1	129A00-11900	RETAINER, INJECTOR	4	4						
32	1	120270-54410	WASHER, INJECTOR	4	4						
33	1	22351-060012	PIN, SPRING 6.0X12	2	2						
34	1	26106-080252	BOLT, M8X 25 PLATED	3	3						
35	1	26106-080352	BOLT, M8X 35 PLATED	4	4						
36	1	26106-080502	BOLT, M8X 50 PLATED	7	7						
37	1	124160-01751	CAP, FILLER	1	1						
38	1	124160-11360	KNOB, BONNET	3	3						
39	1	129C01-11360	BONNET ASSY, HEAD	1	1						
40	2	129004-03010	PLATE, BAFFLE	1	1						
41	3	119802-03070	BAFFLE, BREATHER	1	1						
42	2	129150-03070	BAFFLE, BREATHER	1	1						
43	2	123907-03100	DIAPHRAGM, BREATHER	1	1						
44	2	123907-03110	PLATE, CENTER	1	1						
45	2	123907-03120	PLATE, BREATHER	1	1						
46	2	123907-03140	SPRING, DIAPHRAGM	1	1						
48	2	129C00-11310	GASKET, BONNET	1	1						
49	2	129A00-11330	JOINT	1	1						
50	2	129009-11340	SPRING, PLATE	1	1						
51	2	129978-12700	SENSOR, PRESSURE	1	1						1
52	3	129A00-12780	O-RING, EGR SENSOR	2	2						
53	2	129A00-13360	HOSE ASSY, PRESSURE	1	1						
55	3	129A00-13380	CLIP, HOSE 14	2	2						
56	2	119640-61400	PLUG	1	1						
57	2	22857-500100	SCREW, 5X10	4	4						
58	2	22857-500100	SCREW, 5X10	6	6						
59	2	22857-500100	SCREW, 5X10	1	1						
60	2	26450-060162	BOLT, M6X 16	2	2						
61	1	24311-000120	O-RING, 1AP12.0	3	3						
62	1	24311-000320	O-RING, 1AP32.0	1	1						
63	1	129C01-03060	JOINT, BREATHER	1	1						

Remarks

- (1)When replacing this part, it is necessary to update the software of the ECU using the designated service tool.
- (2)Spare parts.

Fig.4. CYLINDER HEAD & BONNET



(A)=4TNV86CHT-MJLW
(B)=4TNV86CHT-MJLW5
(C)=

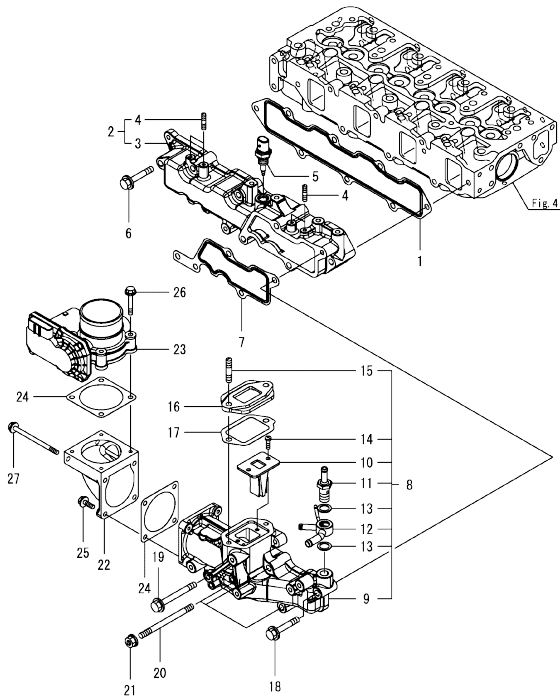
(D)=
(E)=
(F)=

No.	Lev.	Parts No.	Description	Q'ty						I	R
				(A)	(B)	(C)	(D)	(E)	(F)		
64	1	129C01-03130	HOSE ASSY BREATHER	1	1						
68	2	129410-03990	CLAMP, HOSE 21.5	2	2						
69	1	129E30-12060	HOSE, AIR INTAKE	1	1						
70	1	129A00-12711	SENSOR, TEMPERATURE	1	1						
71	2	129A00-12790	O-RING, TEMP SENSOR	1	1						
72	1	23000-060000	CLAMP, 60	2	2						
73	1	26106-060162	BOLT, M6X 16 PLATED	1	1						
74	1	129A01-07900	LIFTER, ENGINE	1	1						
75	1	129A01-16810	STAY, DPF	1	1						
76	1	129A01-55650	STAY, FILTER BRACKET	1	1						
77	1	26106-080202	BOLT, M8X 20 PLATED	2	2						
78	1	26106-080202	BOLT, M8X 20 PLATED	2	2						
79	1	26106-080252	BOLT, M8X 25 PLATED	1	1						
80	1	26106-080302	BOLT, M8X 30 PLATED	2	2						
81	1	26306-080002	NUT, M8	1	1						
82	1	129C01-07900	LIFTER, ENGINE	1	1						
83	1	26106-080202	BOLT, M8X 20 PLATED	2	2						
84	1	129008-77800	PLUG, GLOW	4	4						
85	1	129C00-77820	CONNECTOR, GLOW PLUG	1	1						
86	1	120130-11860	GUIDE, VALVE	4	4						2
87	1	129150-11810	GUIDE, VALVE	4	4						2

Remarks

- (1)When replacing this part, it is necessary to update the software of the ECU using the designated service tool.
- (2)Spare parts.

Fig.5. SUCTION MANIFOLD



(A)=4TNV86CHT-MJLW
(B)=4TNV86CHT-MJLW5
(C)=

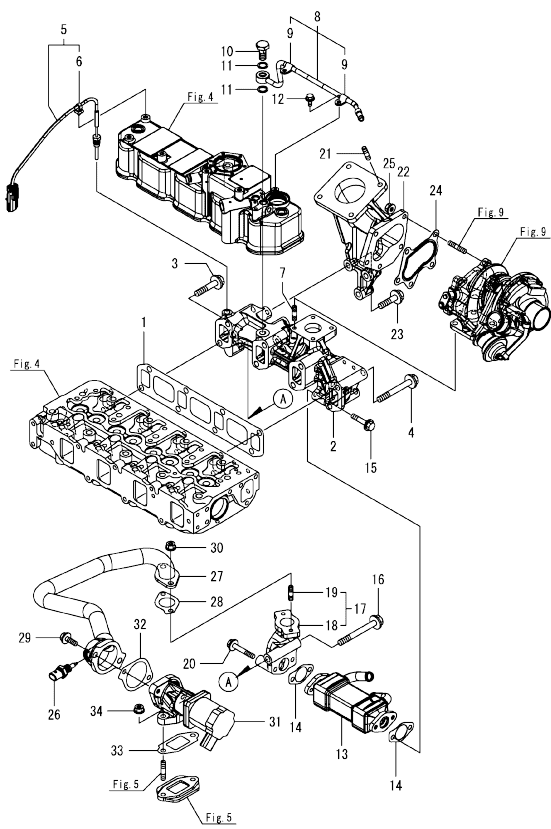
(D)=
(E)=
(F)=

No.	Lev.	Parts No.	Description	Q'ty						I	R
				(A)	(B)	(C)	(D)	(E)	(F)		
1	1	129C00-12110	GASKET, MANIFOLD	1	1						
2	1	129C01-12150	MANIFOLD ASSY,INTAKE	1	1						
3	2	129C01-12100	MANIFOLD, INTAKE	1	1						
4	2	26216-060202	STUD, M6X 20	4	4						
5	1	129A00-12721	SENSOR,AIR TEMP	1	1						1
6	1	26106-080502	BOLT, M8X 50 PLATED	5	5						
7	1	129A00-12810	GASKET, COLLECTOR	1	1						
8	1	129A01-12851	COLLECTOR ASSY	1	1						
9	2	129A01-12800	COLLECTOR, INTAKE	1	1						
10	2	129C01-13700	VALVE, REED	1	1						
11	2	129A00-59110	JOINT, HOSE M14	1	1						
12	2	129A00-59120	JOINT, HOSE 14	1	1						
13	2	22190-140002	WASHER, SEAL 14	2	2						
14	2	22857-500160	SCREW, 5X16	2	2						
15	2	26216-080352	STUD, M8X 35	2	2						
16	1	129A00-13710	SPACER, EGR VALVE	1	1						
17	1	129A00-13720	GASKET, EGR-V SPACER	1	1						
18	1	26106-080502	BOLT, M8X 50 PLATED	1	1						
19	1	26106-080752	BOLT, M8X 75 PLATED	1	1						
20	1	26216-081052	STUD, M8X105	3	3						
21	1	26306-080002	NUT, M8	3	3						
22	1	129A00-12820	BEND, INTAKE	1	1						
23	1	129A00-12900	THROTTLE, INTAKE	1	1						1
24	1	129A00-12910	GASKET, THROTTLE	2	2						
25	1	26106-060202	BOLT, M6X 20 PLATED	2	2						
26	1	26106-060402	BOLT, M6X 40 PLATED	4	4						
27	1	26106-060902	BOLT, M6X 90 PLATED	2	2						

Remarks

(1)When replacing this part, it is necessary to update the software of the ECU using the designated service tool.

Fig.6. EXHAUST MANIFOLD



(A)=4TNV86CHT-MJLW
(B)=4TNV86CHT-MJLW5
(C)=

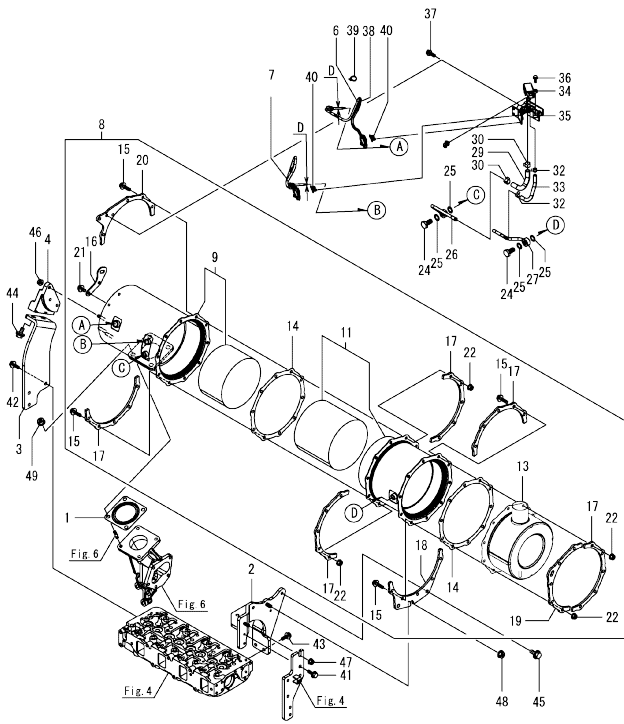
(D)=
(E)=
(F)=

No.	Lev.	Parts No.	Description	Q'ty						I	R
				(A)	(B)	(C)	(D)	(E)	(F)		
1	1	129C00-13110	GASKET, MANIFOLD	1	1						
2	1	129C01-13110	MANIFOLD, EXHAUST	1	1						
3	1	129A01-13601	BOLT, M10X50 10.9T	1	1						
4	1	129F01-13630	BOLT, M10X80 10.9T	7	7						
5	1	129C01-13770	SENSOR, TEMPERATURE	1	1						1
6	2	129A00-91200	CLIP, BAND	1	1						
7	1	129418-18320	STUD, M8X20	4	4						
8	1	129A00-13300	PIPE ASSY, PRESSURE	1	1						
9	2	23297-080061	CLAMP, A8X 6	2	2						
10	1	129A00-13350	BOLT, PIPE JOINT	1	1						
11	1	23414-120000	GASKET, 12X1.0	2	2						
12	1	26106-060122	BOLT, M6X 12 PLATED	2	2						
13	1	129A00-13400	COOLER, EGR	1	1						
14	1	129A00-13410	GASKET, EGR COOLER	2	2						
15	1	129F01-13600	BOLT, M10X90 10.9T	1	1						
16	1	129E00-13620	BOLT, M8X40 10.9	2	2						
17	1	129A00-13851	PIPE, EGR OUTLET	1	1						
18	2	129A00-13861	PIPE, EGR OUTLET	1	1						
19	2	129418-18320	STUD, M8X20	2	2						
20	1	26106-080502	BOLT, M8X 50 PLATED	2	2						
21	1	123900-13130	STUD, M10X22	4	4						
22	1	129C01-13360	PIPE, EXHAUST	1	1						
23	1	129F01-13650	BOLT, M10X40 10.9T	3	3						
24	1	129508-18090	GASKET, TURBINE OUT	1	1						
25	1	26306-080002	NUT, M8	5	5						
26	1	129A00-13751	SENSOR, EGR GAS TEMP	1	1						1
27	1	129C00-13800	PIPE, EGR	1	1						
28	1	129927-13810	GASKET, EGR PIPE	1	1						
29	1	26106-080252	BOLT, M8X 25 PLATED	2	2						
30	1	26306-080002	NUT, M8	2	2						
31	1	129C00-13901	VALVE, EGR	1	1						1
32	1	129A00-13910	GASKET, EGR-V INLET	1	1						
33	1	129A00-13920	GASKET, EGR-V OUTLET	1	1						
34	1	26306-080002	NUT, M8	2	2						

Remarks

(1)When replacing this part, it is necessary to update the software of the ECU using the designated service tool.

Fig.7. DIESEL PARTICULATE FILTER(DPF)



(A)=4TNV86CHT-MJLW
(B)=4TNV86CHT-MJLW5
(C)=

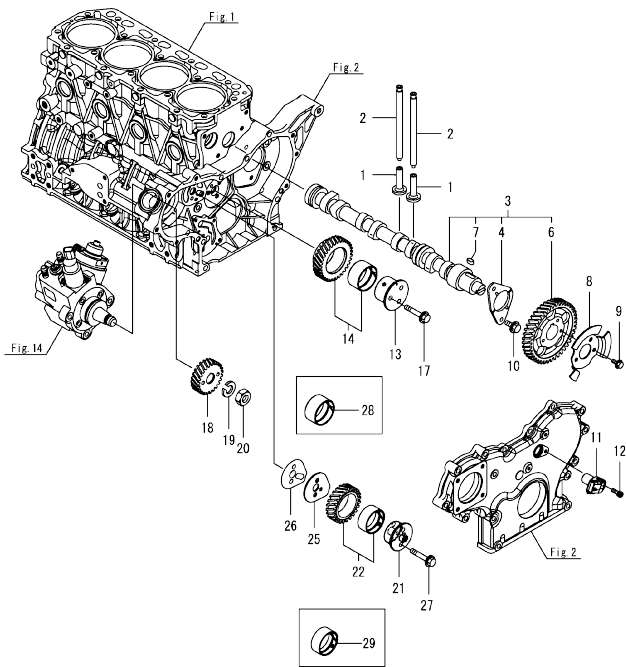
(D)=
(E)=
(F)=

No.	Lev.	Parts No.	Description	Qty						I	R
				(A)	(B)	(C)	(D)	(E)	(F)		
1	1	128300-13230	GASKET, SILENCER	1	1						
2	1	129C01-16811	STAY, DPF	1	1						
3	1	129C01-16820	STAY, DPF	1	1						
4	1	129C01-16830	STAY, DPF	1	1						
6	1	129C00-13860	SENSOR, ATD TEMP.DS+	1	1						1
7	1	129C00-13870	SENSOR, ATD TEMP.DS+	1	1						1
8	1	129C35-16080	DPF ASSY	1	1						1
9	2	129C33-16200	CASE, DOC	1	1						1
11	2	129C01-16410	CASE, SOOT FILTER	1	1						1
13	2	129E20-16550	SILENCER, DPF	1	1						
14	2	129E00-16600	GASKET, DPF	2	2						
15	2	129A00-16610	BOLT, M8X28 10.9T	20	20						
16	2	129C01-16680	LIFTER, DPF	1	1						
17	2	129C01-16700	STIFFENER, DPF A	5	5						
18	2	129C01-16721	STIFFENER, DPF B	1	1						
19	2	129C01-16740	STIFFENER, DPF C	1	1						
20	2	129C01-16750	STIFFENER, DPF C	1	1						
21	2	26106-080142	BOLT, M8X 14 PLATED	2	2						
22	2	26306-080002	NUT, M8	20	20						
24	1	129A00-13350	BOLT, PIPE JOINT	2	2						
25	1	129A00-17311	GASKET, SENSOR	4	4						
26	1	129E00-17310	PIPE ASSY, PRESSURE	1	1						
27	1	129E00-17360	PIPE ASSY, PRESSURE	1	1						
29	1	129C01-17510	HOSE, PRES EXH	1	1						
30	1	129A00-17520	CLIP, HOSE	2	2						
32	1	129A00-17570	CLIP, HOSE	2	2						
33	1	129A00-17580	HOSE, PRES EXH	1	1						
34	1	129978-17700	SENSOR, PRESSURE	1	1						1
35	1	129E20-17700	BRACKET, SENSOR	1	1						
36	1	26106-060162	BOLT, M6X 16 PLATED	2	2						
37	1	26106-080202	BOLT, M8X 20 PLATED	2	2						
38	1	129A00-91200	CLIP, BAND	1	1						
39	1	129C00-91200	BAND	1	1						
40	1	129A00-91430	CLIP, CONNECTOR	2	2						
41	1	26106-080202	BOLT, M8X 20 PLATED	2	2						
42	1	26106-080202	BOLT, M8X 20 PLATED	3	3						
43	1	26106-080202	BOLT, M8X 20 PLATED	2	2						
44	1	26106-100202	BOLT, M10X 20 PLATED	2	2						
45	1	26106-100202	BOLT, M10X 20 PLATED	2	2						
46	1	26306-080002	NUT, M8	3	3						
47	1	26306-080002	NUT, M8	1	1						
48	1	26306-100002	NUT, M10	1	1						
49	1	26306-100002	NUT, M10	4	4						

Remarks

(1)When replacing this part, it is necessary to update the software of the ECU using the designated service tool. Please refer to the Service Manual for details.

Fig.8. CAMSHAFT & DRIVING GEAR



(A)=4TNV86CHT-MJLW
(B)=4TNV86CHT-MJLW5
(C)=

(D)=
(E)=
(F)=

No.	Lev.	Parts No.	Description	Q'ty						I	R	
				(A)	(B)	(C)	(D)	(E)	(F)			
1	1	129150-14200	TAPPET		8	8						
2	1	129150-14400	ROD, PUSH L=178		8	8						
3	1	129C00-14580	CAMSHAFT ASSY		1	1						
4	2	129150-02450	METAL, THRUST		1	1						
6	2	129A00-14100	GEAR, CAMSHAFT		1	1						
7	2	22512-070140	KEY, 7X 14		1	1						
8	1	129A00-14701	PULSER, CAMSHAFT		1	1						
9	1	26106-060102	BOLT, M6X 10 PLATED		3	3						
10	1	26106-080142	BOLT, M8X 14 PLATED		2	2						
11	1	129A00-14710	SENSOR, ROTATION		1	1						
12	1	26450-060162	BOLT, M6X 16		1	1						
13	1	129A00-25050	SHAFT, IDLE GEAR A		1	1						
14	1	129A00-25110	GEAR ASSY, IDLE A		1	1						
17	1	26106-080452	BOLT, M8X 45 PLATED		3	3						
18	1	129A00-25900	GEAR, SUPPLY PUMP		1	1						
19	1	22217-180000	WASHER, SPRING 18		1	1						
20	1	26776-180002	NUT, LOCK M18		1	1						
21	1	129A00-25060	SHAFT, IDLE GEAR B		1	1						
22	1	129A00-25120	GEAR ASSY, IDLE B		1	1						
25	1	129A00-25200	PLATE, IDLE SHAFT B		1	1						
26	1	129A00-25210	GASKET, IDLE SHAFT B		1	1						
27	1	26106-080402	BOLT, M8X 40 PLATED		2	2						
28	1	119802-25071	BUSH, IDLE GEAR		1	1						1
29	1	129A00-25080	BUSH, IDLE GEAR B		1	1						1

Remarks
(1)Spare parts.

OCD50-M06751 ENGINE
 Fig.9. TURBINE

OCD50-M06751 Fig.9

(A)=4TNV86CHT-MJLW
 (B)=4TNV86CHT-MJLW5
 (C)=

(D)=
 (E)=
 (F)=

No.	Lev.	Parts No.	Description	Q'ty						
				(A)	(B)	(C)	(D)	(E)	(F)	
1	1	129C01-18011	TURBOCHARGER, RHF4	1	1					
2	1	129508-18080	GASKET, TURBINE IN	1	1					
3	1	119131-18320	STUD, M8X22	5	5					
4	1	26306-080002	NUT, M8	4	4					

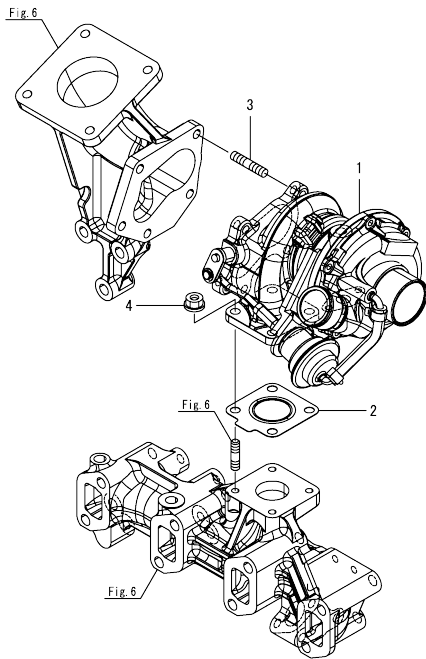
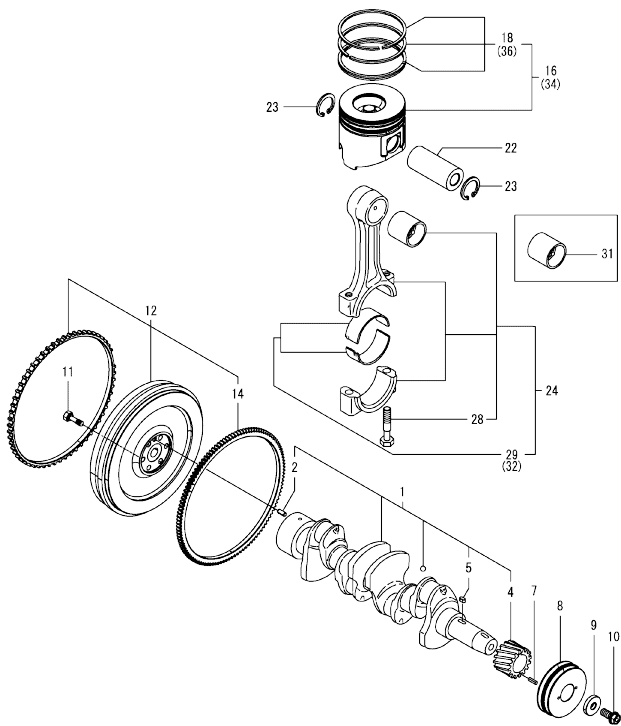


Fig.10. CRANKSHAFT & PISTON

(A)=4TNV86CHT-MJLW
 (B)=4TNV86CHT-MJLW5
 (C)=

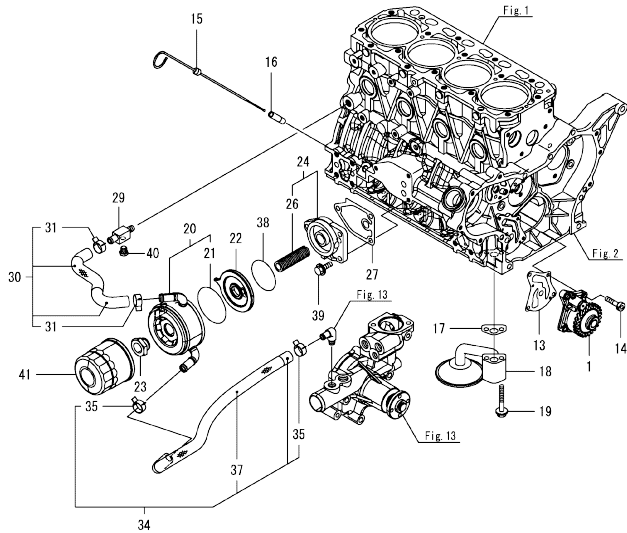
(D)=
 (E)=
 (F)=

No.	Lev.	Parts No.	Description	Q'ty						I	R
				(A)	(B)	(C)	(D)	(E)	(F)		
1	1	129509-21000	CRANKSHAFT ASSY	1	1						
2	2	129100-01580	PIN, PARALLEL 8X16	1	1						
4	2	119803-21200	GEAR, CRANKSHAFT	1	1						
5	2	22512-070140	KEY, 7X 14	1	1						
7	1	22351-030010	PIN, SPRING 3.0X10	1	1						
8	1	129C35-21310	V-PULLEY	1	1						
9	1	129795-21661	WASHER, 14	1	1						
10	1	121850-21680	BOLT, V-PULLEY	1	1						
11	1	121111-21501	BOLT, FLYWHEEL	6	6						
12	1	129C00-21570	FLYWHEEL ASSY	1	1						
14	2	124550-21600	GEAR, RING Z=127	1	1						
16	1	129A01-22080	PISTON ASSY	4	4						
18	2	129A01-22500	RING SET, PISTON	4	4						
22	1	129202-22300	PIN, PISTON D26 L70	4	4						
23	1	22252-000260	RING, 26	8	8						
24	1	729402-23100	ROD ASSY, CONNECTING	4	4						
28	3	121550-23200	BOLT, CONNECTING ROD	8	8						
29	2	129150-23601	METAL ASSY, CRANK PIN	4	4						
31	1	129100-23910	METAL, PISTON PIN	4	4						1
32	1	129150-23611	METAL, CRANK PIN .25	4	4						2
34	1	129A01-22900	PISTON ASSY, 0.25 OS	4	4						3
36	2	129A01-22950	RING SET, PISTON .25	4	4						3



Remarks
 (1) Spare parts.
 (2) Under-sized (U.S.=0.25) parts.
 (3) Over-sized (O.S.=0.25) parts.

Fig.11. LUB. OIL SYSTEM



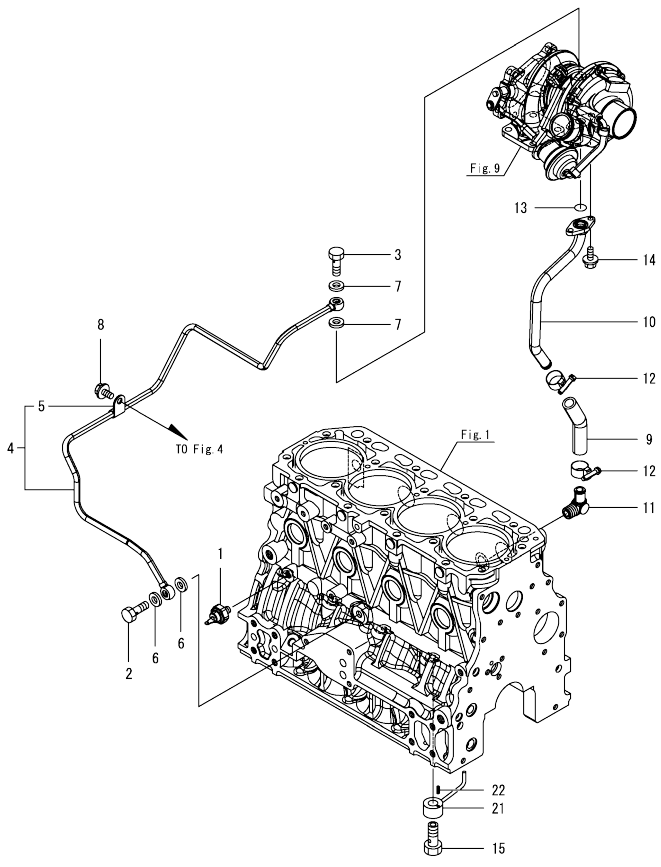
(A)=4TNV86CHT-MJLW
(B)=4TNV86CHT-MJLW5
(C)=

(D)=
(E)=
(F)=

No.	Lev.	Parts No.	Description	Q'ty						I	R
				(A)	(B)	(C)	(D)	(E)	(F)		
1	1	129A01-32000	PUMP ASSY, OIL	1	1						
13	1	129486-32020	GASKET, PUMP	1	1						
14	1	26450-060252	BOLT, M6X 25	4	4						
15	1	129004-34802	DIPSTICK, OIL	1	1						
16	1	121520-34810	GUIDE, DIPSTICK	1	1						
17	1	129150-35042	GASKET, INLET PIPE	1	1						
18	1	129436-35070	PIPE ASSY, OIL INLET	1	1						
19	1	26106-080552	BOLT, M8X 55 PLATED	2	2						
20	1	129908-33010	COOLER ASSY, OIL	1	1						
21	2	123912-33050	O-RING	1	1						
22	1	129C01-33100	BRACKET, COOLER	1	1						
23	1	129417-33111	NUT, OIL COOLER	1	1						
24	1	129648-35100	BRACKET ASSY, FILTER	1	1						
26	2	129648-35150	STUD	1	1						
27	1	129150-35111	GASKET, BRACKET	1	1						
29	1	129006-44480	JOINT, R02	1	1						
30	1	129A01-49030	PIPE, COOLER INLET	1	1						
31	2	171008-03990	CLAMP, HOSE 18.5	2	2						
34	1	129A01-49040	PIPE, COOLER OUTLET	1	1						
35	2	171008-03990	CLAMP, HOSE 18.5	2	2						
37	2	129608-49090	TUBE, CORRUGATED	1	1						
38	1	24321-000600	O-RING, 1AG60.0	1	1						
39	1	26106-080202	BOLT, M8X 20 PLATED	3	3						
40	1	171056-49120	PLUG, DRAIN R1/4	1	1						
41	1	129150-35153	FILTER ASSY, D80X80L	1	1						1

Remarks
(1)Spare parts.

Fig.12. LUB. OIL PIPING

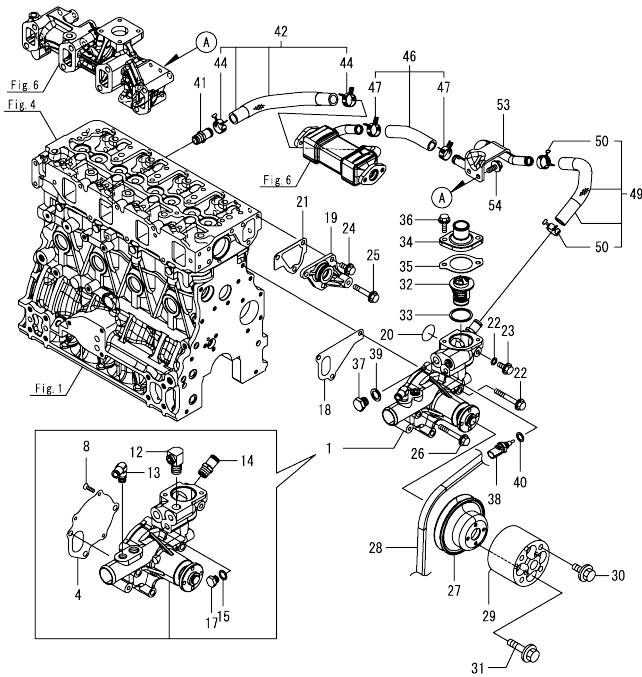


(A)=4TNV86CHT-MJLW
(B)=4TNV86CHT-MJLW5
(C)=

(D)=
(E)=
(F)=

No.	Lev.	Parts No.	Description	Q'ty						
				(A)	(B)	(C)	(D)	(E)	(F)	
1	1	119761-39450	SWITCH, HYDRAULIC	1	1					
2	1	124160-39140	BOLT, PIPE JOINT M10	1	1					
3	1	121252-39150	BOLT, JOINT M10X1.5	1	1					
4	1	129C01-39450	PIPE ASSY, TURBINE	1	1					
5	2	124223-39900	RETAINER	1	1					
6	1	22190-100002	WASHER, SEAL 10	2	2					
7	1	23414-100000	GASKET, 10X1.0	2	2					
8	1	26106-080122	BOLT, M8X 12 PLATED	1	1					
9	1	129044-39610	JOINT, RUBBER	1	1					
10	1	129C01-39610	PIPE, OIL RETURN	1	1					
11	1	129466-49300	ELBOW, PT3/8	1	1					
12	1	23000-022000	CLAMP, 22	2	2					
13	1	24316-000160	O-RING, 4DP16.0	1	1					
14	1	26106-060122	BOLT, M6X 12 PLATED	2	2					
15	1	129792-39410	VALVE ASSY, CHECK	4	4					
21	1	129553-39650	NOZZLE, COOLING	4	4					
22	1	22351-030010	PIN, SPRING 3.0X10	4	4					

Fig.13. COOLING WATER SYSTEM



(A)=4TNV86C8T-MJLW
(B)=4TNV86C8T-MJLW5
(C)=

(D)=
(E)=
(F)=

No.	Lev.	Parts No.	Description	Q'ty						I	R
				(A)	(B)	(C)	(D)	(E)	(F)		
1	1	129C24-42100	PUMP ASSY, CW	1	1						
4	2	129100-42051	GASKET, WATER PUMP	1	1						
8	2	129150-42290	SCREW, FLAT M6X15	3	3						
12	2	129C20-49350	ELBOW, R3/8	1	1						
13	2	129103-49301	ELBOW, PT1/4	1	1						
14	2	129928-49420	JOINT	1	1						
15	2	23414-120000	GASKET, 12X1.0	1	1						
17	2	23887-120002	PLUG, 12	1	1						
18	1	129486-42021	GASKET, WATER PUMP	1	1						
19	1	129004-42040	JOINT, WATER PIPE	1	1						
20	1	129486-42140	O-RING, G30	1	1						
21	1	124395-49840	GASKET, THERMOSTAT	1	1						
22	1	23414-080000	GASKET, 8X1.0	1	1						
23	1	26106-080122	BOLT, M8X 12 PLATED	1	1						
24	1	26106-080162	BOLT, M8X 16 PLATED	3	3						
25	1	26106-080452	BOLT, M8X 45 PLATED	1	1						
26	1	26106-080602	BOLT, M8X 60 PLATED	3	3						
27	1	129120-42351	V-PULLEY, PUMP	1	1						
28	1	129940-42320	V-BELT, A41	1	1						
29	1	129601-44770	SPACER, FAN 50MM	1	1						
30	1	26106-060552	BOLT, M6X 55 PLATED	4	4						
31	1	26106-080162	BOLT, M8X 16 PLATED	4	4						
32	1	129457-49801	THERMOSTAT, 82C	1	1						
33	1	129150-49811	GASKET, THERMOSTAT	1	1						
34	1	129350-49530	COVER, THERMOSTAT	1	1						
35	1	129795-49551	GASKET, COVER	1	1						
36	1	26106-080222	BOLT, M8X 22 PLATED	2	2						
37	1	121450-42450	PLUG, M16	1	1						
38	1	129927-44900	SENSOR, TEMPERATURE	1	1						1
39	1	124465-44950	GASKET, 16	1	1						
40	1	22190-120002	WASHER, SEAL 12	1	1						
41	1	129928-49420	JOINT	1	1						
42	1	129A00-49610	PIPE ASSY, EGR-C IN	1	1						
44	2	129960-03990	CLAMP, HOSE 19.8	2	2						
46	1	129C00-49610	PIPE ASSY, OUTLET A	1	1						
47	2	129960-03990	CLAMP, HOSE 19.8	2	2						
49	1	129C00-49620	PIPE ASSY, OUTLET B	1	1						
50	2	129960-03990	CLAMP, HOSE 19.8	2	2						
53	1	129C23-49700	PIPE ASSY, WATER	1	1						
54	1	26106-080162	BOLT, M8X 16 PLATED	2	2						

Remarks

(1)When replacing this part, it is necessary to update the software of the ECU using the designated service tool.

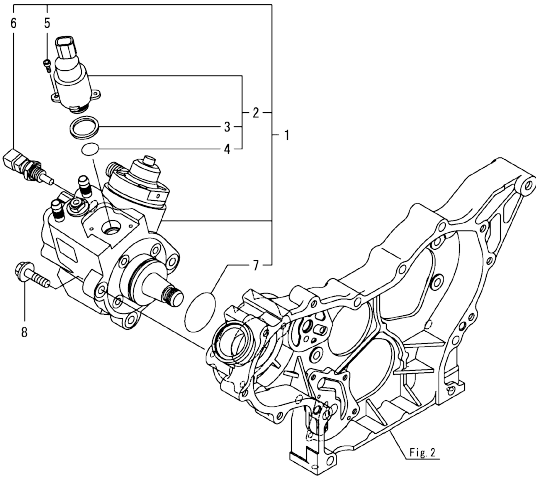
N:Old $\frac{100}{100}$ New, Q:Old $\frac{100}{100}$ New, R:Old $\frac{100}{100}$ New, S:Old $\frac{100}{100}$ New, W:Add, Z:Discontinued, F:Interchangeable by set, K:Qty Change
Copyright (C) 2021 YANMAR GLOBAL CS CO., LTD. All Rights Reserved.

Fig.14. FUEL SUPPLY PUMP

(A)=4TNV86CHT-MJLW
 (B)=4TNV86CHT-MJLW5
 (C)=

(D)=
 (E)=
 (F)=

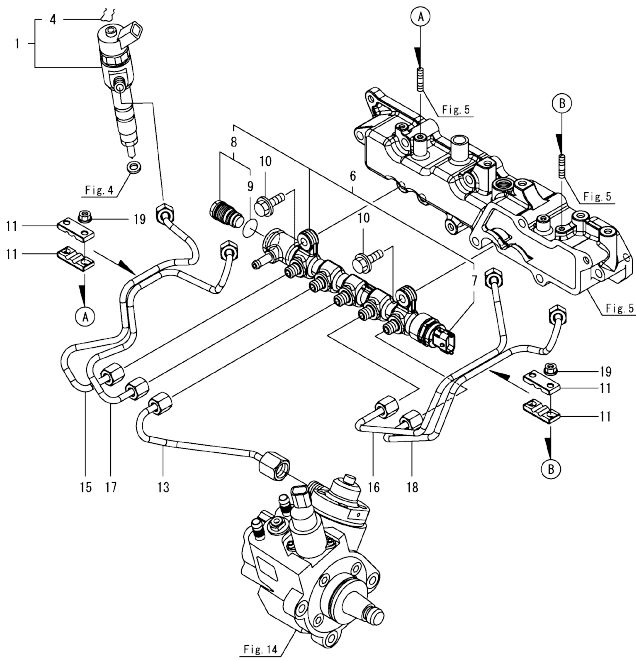
No.	Lev.	Parts No.	Description	Q'ty						I	R
				(A)	(B)	(C)	(D)	(E)	(F)		
1	1	129C28-51000	PUMP ASSY, FUEL	1	1						1
2	2	129A00-51100	VALVE ASSY	1	1						1
3	3	129A00-51110	RING, SEAL	1	1						
4	3	129A00-51120	O-RING, MPROP	1	1						
5	2	129A00-51130	BOLT, MPROP	2	2						
6	2	129A00-51200	SENSOR, TEMPERATURE	1	1						1
7	2	129A00-51900	O-RING, FUEL PUMP	1	1						
8	1	26106-080302	BOLT, M8X 30 PLATED	3	3						



Remarks

(1)When replacing this part, it is necessary to update the software of the ECU using the designated service tool.

Fig.15. FUEL INJECTION VALVE



(A)=4TNV86CHT-MJLW
(B)=4TNV86CHT-MJLW5
(C)=

(D)=
(E)=
(F)=

No.	Lev.	Parts No.	Description	Q'ty						I	R
				(A)	(B)	(C)	(D)	(E)	(F)		
1	1	129A01-53100	INJECTOR, CR	4	4						1
4	2	129A00-53200	RING, RETAINING	4	4						
6	1	129C00-57000	COMMON RAIL ASSY	1	1						1
7	2	129A00-57100	SENSOR, PRESSURE	1	1						1
8	2	129A00-57200	VALVE ASSY, PLV4	1	1						1
9	3	129A00-57210	O-RING, PLV4	1	1						
10	1	26106-080252	BOLT, M8X 25 PLATED	2	2						
11	1	122780-59100	RETAINER, PIPE	4	4						
13	1	129A00-59700	PIPE ASSY, RAIL IN	1	1						
15	1	129C00-59810	PIPE ASSY, INJECTION	1	1						
16	1	129A00-59820	PIPE ASSY, INJECTION	1	1						
17	1	129C00-59820	PIPE ASSY, INJECTION	1	1						
18	1	129A00-59830	PIPE ASSY, INJECTION	1	1						
19	1	26366-060002	NUT, M6	4	4						

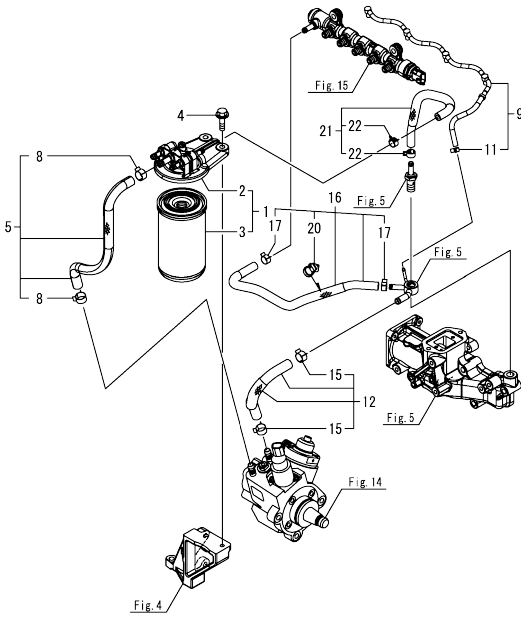
Remarks

(1)When replacing this part, it is necessary to update the software of the ECU using the designated service tool.

Fig.16. FUEL PIPE

(A)=4TNV86CHT-MJLW
 (B)=4TNV86CHT-MJLW5
 (C)=

(D)=
 (E)=
 (F)=

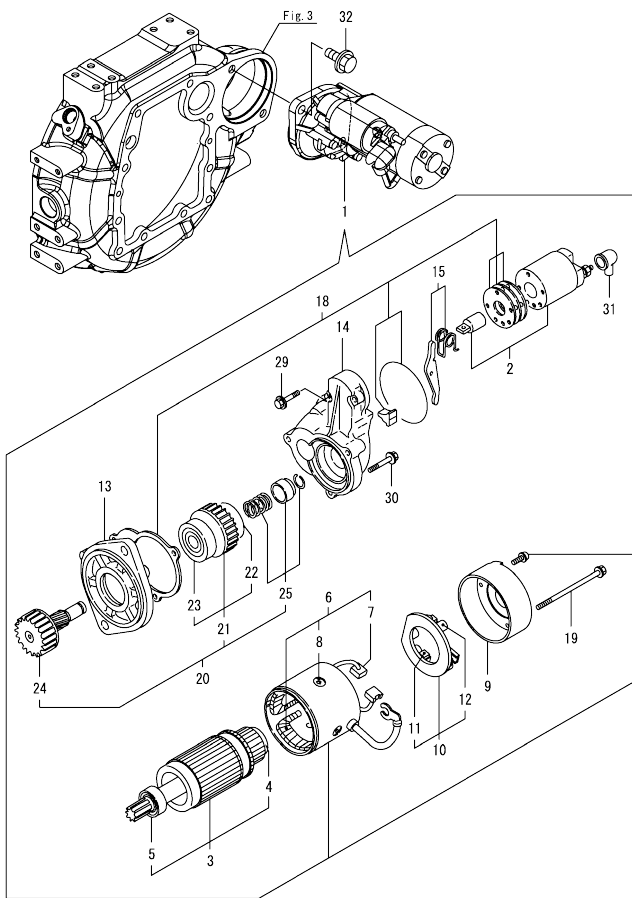


No.	Lev.	Parts No.	Description	Q'ty						
				(A)	(B)	(C)	(D)	(E)	(F)	
1	1	129A00-55600	FILTER ASSY, FUEL	1	1					
2	2	129A00-55610	BRACKET ASSY, FILTER	1	1					
3	2	129A00-55800	FILTER, FUEL	1	1					
4	1	26106-080302	BOLT, M8X 30 PLATED	2	2					
5	1	129A00-59010	PIPE ASSY, FUEL	1	1					
8	2	23080-015000	CLAMP, 15	2	2					
9	1	129677-59501	PIPE ASSY, RETURN	1	1					
11	2	23080-007000	CLAMP, 7	1	1					
12	1	129A00-59020	PIPE ASSY, RETURN	1	1					
15	2	23080-015000	CLAMP, 15	2	2					
16	1	129C00-59030	PIPE ASSY, RETURN	1	1					
17	2	114270-59010	CLAMP, HOSE 12	2	2					
20	2	129A00-91200	CLIP, BAND	1	1					
21	1	129A00-59040	PIPE ASSY, RETURN	1	1					
22	2	114270-59010	CLAMP, HOSE 12	2	2					

Fig.17. STARTER MOTOR

(A)=4TNV86CHT-MJLW
(B)=4TNV86CHT-MJLW5
(C)=

(D)=
(E)=
(F)=

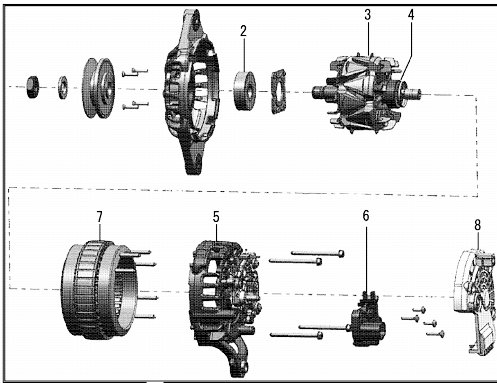


No.	Lev.	Parts No.	Description	Q'ty					
				(A)	(B)	(C)	(D)	(E)	(F)
1	1	129136-77011	STARTER	1	1				
2	2	129136-77310	SWITCH ASSY, MAGNET	1	1				
3	2	129900-77400	ARMATURE ASSY	1	1				
4	3	X2130350900	BEARING, BALL	1	1				
5	3	X2114255110	BEARING, BALL	1	1				
6	2	129900-77440	COIL ASSY, FIELD	1	1				
7	3	129900-77450	BRUSH, +	2	2				
8	3	171008-77450	SCREW, CORE SET	4	4				
9	2	129900-77460	COVER, REAR	1	1				
10	2	129900-77480	HOLDER ASSY, BRUSH	1	1				
11	3	129900-77500	BRUSH	2	2				
12	3	129400-77490	SPRING, BRUSH	4	4				
13	2	171008-77510	CASE, GEAR	1	1				
14	2	129136-77520	HOUSING, STARTOR	1	1				
15	2	171008-77540	LEVER SET, SHIFT	1	1				
18	2	129400-77571	COVER KIT, DUST	1	1				
19	2	129900-77640	BOLT, THROUGH	2	2				
20	2	171008-77650	PINION ASSY,W/CLUTCH	1	1				
21	3	X2114555500	CLUTCH ASSY	1	1				
22	4	X2114955020	BEARING, BALL	1	1				
23	4	X2240410100	BEARING, BALL	1	1				
24	3	171008-77660	SHAFT, PINION	1	1				
25	3	171008-77670	STOPPER SET, PINION	1	1				
29	2	26106-060322	BOLT, M6X 32 PLATED	2	2				
30	2	26106-060402	BOLT, M6X 40 PLATED	3	3				
31	2	171008-77750	COVER, TERMINAL	1	1				
32	1	26106-120252	BOLT, M12X 25 PLATED	2	2				

Fig.18. GENERATOR

(A)=4TNV86CHT-MJLW
 (B)=4TNV86CHT-MJLW5
 (C)=

(D)=
 (E)=
 (F)=



No.	Lev.	Parts No.	Description	Q'ty						
				(A)	(B)	(C)	(D)	(E)	(F)	
1	1	129908-77200	ALTERNATOR,	1	1					
2	2	129908-77710	BEARING, BALL FR	1	1					
3	2	129908-77720	ROTOR	1	1					
4	2	129908-77730	BEARING, BALL RR	1	1					
5	2	129908-77740	RECTIFIER	1	1					
6	2	129908-77750	REGULATOR	1	1					
7	2	129908-77760	STATOR	1	1					
8	2	129908-77770	PROTECTOR	1	1					
9	1	129908-77220	BOLT, STOPPER M10	1	1					
10	1	129A20-77350	PIECE, DISTANCE	1	1					
11	1	26306-100002	NUT, M10	1	1					
12	1	129C22-77300	ADJUSTER, BELT	1	1					
13	1	119624-77351	BLOCK ASSY, ADJUSTER	1	1					
15	2	26106-081004	BOLT, M8X100 PLATED	1	1					
16	2	26306-080002	NUT, M8	1	1					
17	1	26106-080452	BOLT, M8X 45 PLATED	2	2					

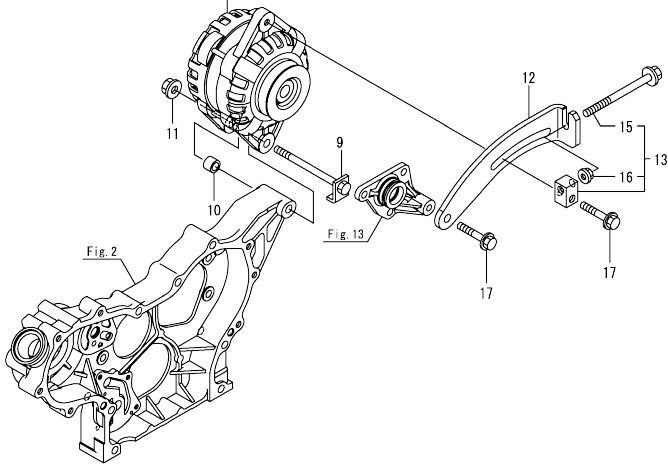
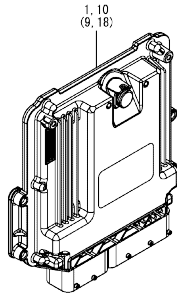


Fig.19. ELECTRONIC CONTROL UNIT(ECU)

(A)=4TNV86CHT-MJLW
 (B)=4TNV86CHT-MJLW5
 (C)=

(D)=
 (E)=
 (F)=

No.	Lev.	Parts No.	Description	Q'ty						I	R
				(A)	(B)	(C)	(D)	(E)	(F)		
1	1	129C35-75101	ECU ASSY	1							1
9	1	129A00-75920	ECU ASSY, SERVICE JD	1							2
10	1	129C35-75090	ECU ASSY			1					1
18	1	129A00-75910	ECU ASSY,SERVICE YMR		1						2



Remarks

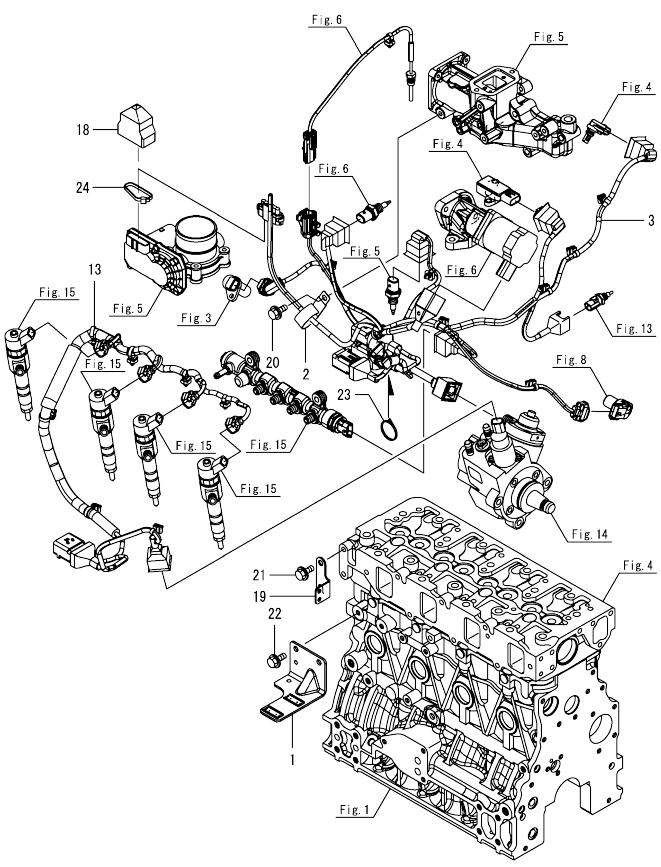
- (1)Eco ECU
 This part cannot be ordered.
 Replace the part using a Service ECU with the proper engine information installed.
- (2)Service ECU
 If the proper information is not installed, the engine will not operate.
 To install proper information, go to an authorized distributor.

Fig.20. ELECTRIC PARTS

(A)=4TNV86CHT-MJLW
 (B)=4TNV86CHT-MJLW5
 (C)=

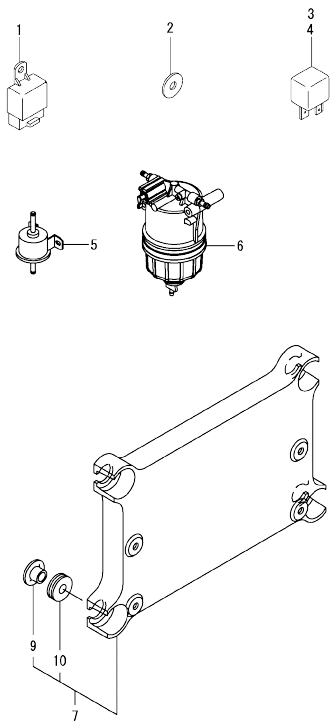
(D)=
 (E)=
 (F)=

No.	Lev.	Parts No.	Description	Q'ty					
				(A)	(B)	(C)	(D)	(E)	(F)
1	1	129A00-77930	BRACKET, CONNECTOR	1	1				
2	1	129928-79700	CLAMP, 150-M8	1	1				
3	1	129C01-91222	HARNESS, B T4	1	1				
13	1	129C00-91232	HARNESS, C T4	1	1				
18	1	129A00-91451	BOOT, CAP TYPE	1	1				
19	1	129A00-91600	BRACKET, HARNESS	1	1				
20	1	26106-080122	BOLT, M8X 12 PLATED	1	1				
21	1	26106-080122	BOLT, M8X 12 PLATED	2	2				
22	1	26106-080122	BOLT, M8X 12 PLATED	2	2				
23	1	29621-100000	BAND, TR100	1	1				
24	1	29621-200000	BAND	1	1				



N:Old $\frac{100}{100}$ New, Q:Old $\frac{100}{100}$ New, R:Old $\frac{100}{100}$ New, S:Old $\frac{100}{100}$ New, W:Add, Z:Discontinued, F:Interchangeable by set, K:Q'ty Change
 Copyright (C) 2021 YANMAR GLOBAL CS CO., LTD. All Rights Reserved.

Fig.21. ACCESSORY

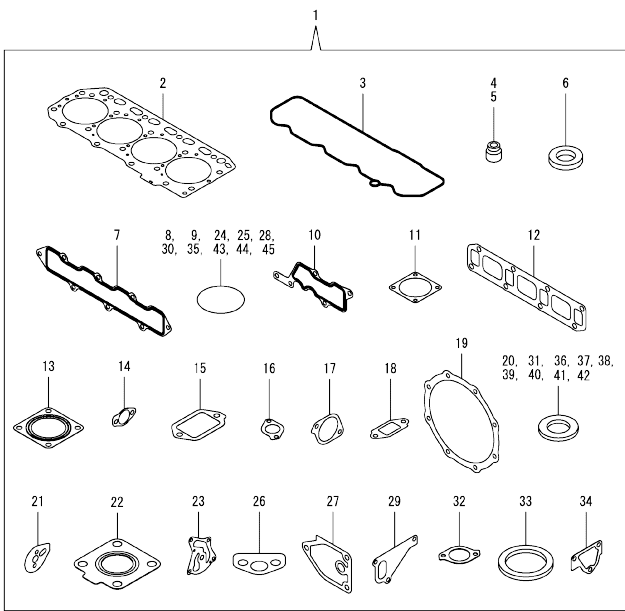


(A)=4TNV86CHT-MJLW
(B)=4TNV86CHT-MJLW5
(C)=

(D)=
(E)=
(F)=

No.	Lev.	Parts No.	Description	Q'ty					
				(A)	(B)	(C)	(D)	(E)	(F)
1	1	172B02-17150	RELAY, CA TYPE C	1	1				
2	1	129927-77690	WASHER, ECU	4	4				
3	1	129927-77920	RELAY, ISO 70A	1	1				
4	1	129927-77930	RELAY, ISO 40A	1	1				
5	1	129612-52100	PUMP, FUEL FEED	1	1				
6	1	129C24-55700	FILTER ASSY,FUEL PRE	1	1				
7	1	129C20-77610	BRACKET ASSY, ECU	1	1				
9	2	129927-77680	COLLAR, CONTROLLER	4	4				
10	2	119578-91351	RUBBER, CONTROLLER	4	4				

Fig.22. GASKET SET



(A)=4TNV86CHT-MJLW
(B)=4TNV86CHT-MJLW5
(C)=

(D)=
(E)=
(F)=

No.	Lev.	Parts No.	Description	Qty						I	R	
				(A)	(B)	(C)	(D)	(E)	(F)			
1	1	729C33-92600	GASKET SET	1	1						1	
2	2	129C01-01331	GASKET ASSY, HEAD	1	1							
3	2	129C00-11310	GASKET, BONNET	1	1							
4	2	124460-11340	SEAL, VALVE STEM	4	4							
5	2	129A00-11340	SEAL, VALVE STEM	4	4							
6	2	129978-11871	GASKET, INJECTOR	4	4							
7	2	129C00-12110	GASKET, MANIFOLD	1	1							
8	2	129A00-12780	O-RING, EGR SENSOR	2	2							
9	2	129A00-12790	O-RING, TEMP SENSOR	1	1							
10	2	129A00-12810	GASKET, COLLECTOR	1	1							
11	2	129A00-12910	GASKET, THROTTLE	2	2							
12	2	129C00-13110	GASKET, MANIFOLD	1	1							
13	2	128300-13230	GASKET, SILENCER	1	1							
14	2	129A00-13410	GASKET, EGR COOLER	2	2							
15	2	129A00-13720	GASKET, EGR-V SPACER	1	1							
16	2	129927-13810	GASKET, EGR PIPE	1	1							
17	2	129A00-13910	GASKET, EGR-V INLET	1	1							
18	2	129A00-13920	GASKET, EGR-V OUTLET	1	1							
19	2	129E00-16600	GASKET, DPF	2	2							
20	2	129A00-17311	GASKET, SENSOR	4	4							
21	2	129A00-25210	GASKET, IDLE SHAFT B	1	1							
22	2	129508-18080	GASKET, TURBINE IN	1	1							
23	2	129486-32020	GASKET, PUMP	1	1							
24	2	119609-32040	O-RING, P16	2	2							
25	2	119624-32040	O-RING, P12.0	1	1							
26	2	129150-35042	GASKET, INLET PIPE	1	1							
27	2	129150-35111	GASKET, BRACKET	1	1							
28	2	24316-000160	O-RING, 4DP16.0	1	1							
29	2	129486-42021	GASKET, WATER PUMP	1	1							
30	2	129486-42140	O-RING, G30	1	1							
31	2	124465-44950	GASKET, 16	1	1							
32	2	129795-49551	GASKET, COVER	1	1							
33	2	129150-49811	GASKET, THERMOSTAT	1	1							
34	2	124395-49840	GASKET, THERMOSTAT	1	1							
35	2	129A00-51900	O-RING, FUEL PUMP	1	1							
36	2	22190-080002	WASHER, SEAL 8	1	1							
37	2	22190-120002	WASHER, SEAL 12	1	1							
38	2	22190-140002	WASHER, SEAL 14	2	2							
39	2	22190-220002	WASHER, SEAL 22	1	1							
40	2	23414-080000	GASKET, 8X1.0	1	1							
41	2	23414-100000	GASKET, 10X1.0	2	2							
42	2	23414-120000	GASKET, 12X1.0	2	2							
43	2	24311-000120	O-RING, 1AP12.0	3	3							
44	2	24311-000320	O-RING, 1AP32.0	3	3							
45	2	24321-000600	O-RING, 1AG60.0	1	1							

Remarks

(1)Optional parts.

Parts No. Index

Parts No.	Fig. No.	Ref. No.	Parts No.	Fig. No.	Ref. No.	Parts No.	Fig. No.	Ref. No.	Parts No.	Fig. No.	Ref. No.
114270-59010	16	17	128300-13230	7	1	129350-49530	13	34	129908-77200	18	1
		22		22	13	129400-01730	3	6	129908-77220	18	9
119131-18320	9	3	129001-01250	1	4	129400-77490	17	12	129908-77710	18	2
119578-91351	21	10	129001-02931	1	29	129400-77571	17	18	129908-77720	18	3
119609-32040	2	5	129004-03010	4	40	129410-03990	4	68	129908-77730	18	4
	22	24	129004-11650	4	7	129417-33111	11	23	129908-77740	18	5
119620-01750	3	3	129004-34802	11	15	129418-18320	6	7	129908-77750	18	6
119624-32040	2	6	129004-42040	13	19				129908-77760	18	7
	22	25	129005-11100	4	22	129436-01780	3	7	129908-77770	18	8
119624-77351	18	13	129006-44480	11	29	129436-35070	11	18	129927-13810	6	28
119640-01640	3	8	129008-77800	4	84	129457-49801	13	32		22	16
119640-61400	4	56	129009-11340	4	50	129466-49300	12	11	129927-44900	13	38
119761-39450	12	1	129044-39610	12	9	129486-01670	3	19	129927-77680	21	9
119802-03070	4	41	129100-01580	2	2	129486-32020	11	13	129927-77690	21	2
119802-11260	4	4		3	1		22	23	129927-77920	21	3
119802-11270	4	5		15	15	129486-42021	13	18	129927-77930	21	4
119802-25071	8	28		10	2		22	29	129928-49420	13	14
119803-21200	10	4	129100-11130	4	24	129486-42140	13	20			41
119934-01800	2	11	129100-23910	10	31		22	30	129928-79700	20	2
120130-11860	4	86	129100-42051	13	4	129508-18080	9	2	129940-42320	13	28
120270-54410	4	32	129103-49301	13	13		22	22	129960-03990	13	44
121111-21501	10	11	129120-42351	13	27	129508-18090	6	24			47
121252-39150	12	3	129136-77011	17	1	129509-21000	10	1			50
121450-42450	13	37	129136-77310	17	2	129553-39650	12	21	129978-11871	4	30
121520-34810	11	16	129136-77520	17	14	129601-11241	4	1		22	6
121550-23200	10	28	129150-01200	1	27	129601-11251	4	2	129978-12700	4	51
121850-21680	10	10	129150-02020	1	6	129601-44770	13	29	129978-17700	7	34
122780-59100	15	11	129150-02450	8	4	129608-49090	11	37	129A00-01550	2	9
123900-13130	6	21	129150-02871	1	32	129612-52100	21	5	129A00-11330	4	49
123907-03100	4	43	129150-02931	1	24	129648-01600	3	16	129A00-11340	4	27
123907-03110	4	44	129150-02941	1	35	129648-01780	3	18		22	5
123907-03120	4	45	129150-03070	4	42	129648-35100	11	24	129A00-11900	4	31
123907-03140	4	46	129150-11230	4	8	129648-35150	11	26	129A00-12711	4	70
123912-33050	11	21	129150-11280	4	6	129677-59501	16	9	129A00-12721	5	5
124060-01050	1	11	129150-11370	4	12	129792-39410	12	15	129A00-12780	4	52
124160-01751	2	3	129150-11750	4	10	129795-01950	2	4		22	8
	4	37	129150-11810	4	87	129795-02412	1	9	129A00-12790	4	71
124160-01910	1	12	129150-14200	8	1	129795-11120	4	23		22	9
	4	13	129150-14400	8	2	129795-11180	4	25	129A00-12810	5	7
124160-11360	4	38	129150-23601	10	29	129795-21661	10	9		22	10
124160-39140	12	2	129150-23611	10	32	129795-49551	13	35	129A00-12820	5	22
124223-39900	12	5	129150-35042	11	17		22	32	129A00-12900	5	23
124240-01871	2	12		22	26	129900-77400	17	3	129A00-12910	5	24
124395-49840	13	21	129150-35111	11	27	129900-77440	17	6		22	11
	22	34		22	27	129900-77450	17	7	129A00-13300	6	8
124460-11340	4	26	129150-35153	11	41	129900-77460	17	9	129A00-13350	6	10
	22	4	129150-42290	13	8	129900-77480	17	10		7	24
124465-44950	13	39	129150-49811	13	33	129900-77500	17	11	129A00-13360	4	53
	22	31		22	33	129900-77640	17	19	129A00-13380	4	55
124550-21600	10	14	129202-22300	10	22	129908-33010	11	20	129A00-13400	6	13

Parts No. Index

Parts No.	Fig. No.	Ref. No.
129A00-13410	6	14
	22	14
129A00-13710	5	16
129A00-13720	5	17
	22	15
129A00-13751	6	26
129A00-13851	6	17
129A00-13861	6	18
129A00-13910	6	32
	22	17
129A00-13920	6	33
	22	18
129A00-14100	8	6
129A00-14701	8	8
129A00-14710	8	11
129A00-16610	7	15
129A00-17311	7	25
	22	20
129A00-17520	7	30
129A00-17570	7	32
129A00-17580	7	33
129A00-21710	3	21
129A00-25050	8	13
129A00-25060	8	21
129A00-25080	8	29
129A00-25110	8	14
129A00-25120	8	22
129A00-25200	8	25
129A00-25210	8	26
	22	21
129A00-25900	8	18
129A00-49610	13	42
129A00-51100	14	2
129A00-51110	14	3
129A00-51120	14	4
129A00-51130	14	5
129A00-51200	14	6
129A00-51900	14	7
	22	35
129A00-53200	15	4
129A00-55600	16	1
129A00-55610	16	2
129A00-55800	16	3
129A00-57100	15	7
129A00-57200	15	8
129A00-57210	15	9
129A00-59010	16	5
129A00-59020	16	12
129A00-59040	16	21
129A00-59110	5	11

Parts No.	Fig. No.	Ref. No.
129A00-59120	5	12
129A00-59700	15	13
129A00-59820	15	16
129A00-59830	15	18
129A00-75910	19	18
129A00-75920	19	9
129A00-77930	20	1
129A00-91200	6	6
	7	38
	16	20
129A00-91430	7	40
129A00-91451	20	18
129A00-91600	20	19
129A01-07900	4	74
129A01-12800	5	9
129A01-12851	5	8
129A01-13601	6	3
129A01-16810	4	75
129A01-22080	10	16
129A01-22500	10	18
129A01-22900	10	34
129A01-22950	10	36
129A01-32000	11	1
129A01-49030	11	30
129A01-49040	11	34
129A01-53100	15	1
129A01-55650	4	76
129A20-77350	18	10
129A23-01500	2	1
129C00-11310	4	48
	22	3
129C00-12110	5	1
	22	7
129C00-13110	6	1
	22	12
129C00-13800	6	27
129C00-13860	7	6
129C00-13870	7	7
129C00-13901	6	31
129C00-14580	8	3
129C00-21570	10	12
129C00-49610	13	46
129C00-49620	13	49
129C00-57000	15	6
129C00-59030	16	16
129C00-59810	15	15
129C00-59820	15	17
129C00-77820	4	85
129C00-91200	7	39
129C00-91232	20	13

Parts No.	Fig. No.	Ref. No.
129C01-01331	1	28
	22	2
129C01-01560	1	1
129C01-01600	3	2
129C01-03060	4	63
129C01-03130	4	64
129C01-07900	4	82
129C01-11360	4	39
129C01-11700	4	13
129C01-12100	5	3
129C01-12150	5	2
129C01-13110	6	2
129C01-13360	6	22
129C01-13700	5	10
129C01-13770	6	5
129C01-16410	7	11
129C01-16680	7	16
129C01-16700	7	17
129C01-16721	7	18
129C01-16740	7	19
129C01-16750	7	20
129C01-16811	7	2
129C01-16820	7	3
129C01-16830	7	4
129C01-17510	7	29
129C01-18011	9	1
129C01-33100	11	22
129C01-39450	12	4
129C01-39610	12	10
129C01-91222	20	3
129C20-49350	13	12
129C20-77610	21	7
129C22-77300	18	12
129C23-49700	13	53
129C24-42100	13	1
129C24-55700	21	6
129C28-51000	14	1
129C33-16200	7	9
129C35-16080	7	8
129C35-21310	10	8
129C35-75090	19	10
129C35-75101	19	1
129E00-13620	6	16
129E00-16600	7	14
	22	19
129E00-17310	7	26
129E00-17360	7	27
129E20-16550	7	13
129E20-17700	7	35
129E30-12060	4	69

Parts No.	Fig. No.	Ref. No.
129F01-13600	6	15
129F01-13630	6	4
129F01-13650	6	23
171008-03990	11	31
		35
171008-77450	17	8
171008-77510	17	13
171008-77540	17	15
171008-77650	17	20
171008-77660	17	24
171008-77670	17	25
171008-77750	17	31
171051-01921	1	5
171056-49120	11	40
172B02-17150	21	1
22190-080002	2	13
	22	36
22190-100002	12	6
22190-120002	13	40
	22	37
22190-140002	5	13
	22	38
22190-220002	3	10
	22	39
22217-180000	8	19
22252-000260	10	23
22351-030010	10	7
	12	22
22351-060012	4	33
22512-070140	8	7
	10	5
22857-500100	4	57
		58
		59
22857-500160	5	14
23000-022000	12	12
23000-060000	4	72
23080-007000	16	11
23080-015000	16	8
		15
23297-080061	6	9
23414-080000	13	22
	22	40
23414-100000	12	7
	22	41
23414-120000	6	11
	13	15
	22	42
23887-120002	13	17
24311-000120	4	61

Parts No. Index

Parts No.	Fig. No.	Ref. No.
24311-000120	22	43
24311-000320	2	7
	4	62
	22	44
24316-000160	12	13
	22	28
24321-000600	11	38
	22	45
26106-060102	8	9
26106-060122	6	12
	12	14
26106-060162	4	73
	7	36
	7	36
26106-060202	5	25
26106-060322	17	29
26106-060402	5	26
	17	30
26106-060552	13	30
26106-060902	5	27
26106-080122	12	8
	13	23
	20	20
	21	21
	22	22
26106-080142	7	21
	8	10
26106-080162	2	8
	14	14
	3	11
	13	24
	31	31
	54	54
26106-080202	4	77
	78	78
	83	83
	7	37
	41	41
	42	42
	43	43
	11	39
26106-080222	13	36
26106-080252	3	12
	4	34
	79	79
	6	29
	15	10
26106-080302	4	80
	14	8
	16	4
26106-080352	2	15

Parts No.	Fig. No.	Ref. No.
26106-080352	3	20
	4	35
26106-080402	2	16
	8	27
26106-080452	3	13
	8	17
	13	25
	18	17
26106-080502	3	14
	4	36
	5	6
	6	18
	6	20
26106-080552	11	19
26106-080602	2	17
	13	26
26106-080752	5	19
26106-080852	2	18
26106-081004	18	15
26106-100202	7	44
	45	45
26106-120252	17	32
26206-100252	3	4
26206-100302	3	5
26216-060202	5	4
26216-080352	5	15
26216-081052	5	20
26226-080182	4	11
26306-080002	4	81
	5	21
	6	25
	30	30
	34	34
	7	22
	46	46
	47	47
	9	4
	18	16
26306-100002	7	48
	49	49
	18	11
26366-060002	15	19
26450-060162	3	22
	4	60
	8	12
26450-060252	11	14
26776-180002	8	20
27241-120000	1	14
27241-300000	1	10
27241-400000	4	21

Parts No.	Fig. No.	Ref. No.
27310-080001	4	28
29621-100000	20	23
29621-200000	20	24
729402-23100	10	24
729C33-92600	22	1
X2114255110	17	5
X2114555500	17	21
X2114955020	17	22
X2130350900	17	4
X2240410100	17	23

Parts No.	Fig. No.	Ref. No.
-----------	----------	----------