

0CD50-M02550EN

P R E F A C E

This parts catalog is the 1st edition of 4TNV86CHT-MAW for Atlas Weyhausen GmbH.

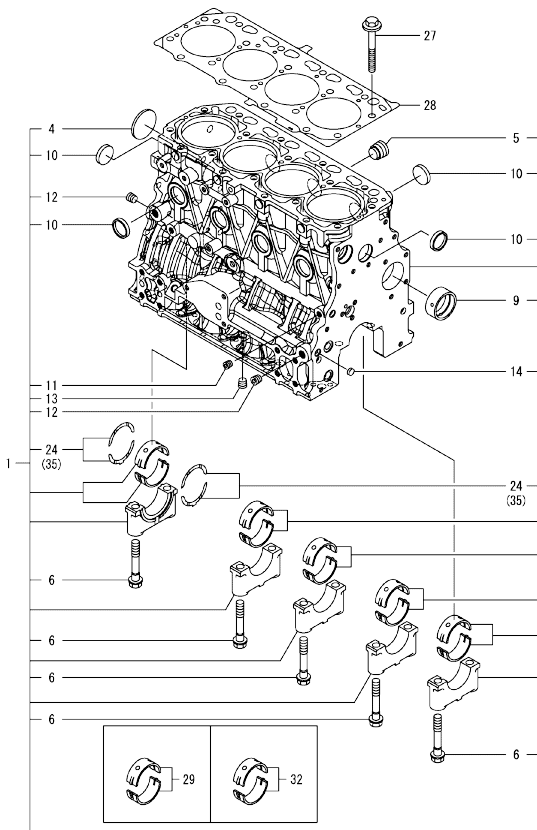
Published : July, 2016

Contents

0CD50-M02550

Fig. No.	Fig. Name	Fig. No.	Fig. Name
ENGINE			
1.	CYLINDER BLOCK		
2.	GEAR HOUSING		
3.	FLYWHEEL HOUSING & OIL SUMP		
4.	CYLINDER HEAD & BONNET		
5.	SUCTION MANIFOLD		
6.	EXHAUST MANIFOLD		
7.	DIESEL PARTICULATE FILTER(DPF)		
8.	CAMSHAFT & DRIVING GEAR		
9.	TURBINE		
10.	CRANKSHAFT & PISTON		
11.	LUB. OIL SYSTEM		
12.	LUB. OIL PIPE		
13.	COOLING WATER SYSTEM		
14.	FUEL SUPPLY PUMP		
15.	FUEL INJECTION VALVE		
16.	FUEL PIPE		
17.	STARTER MOTOR		
18.	GENERATOR		
22.	GENERATOR(18A)		
19.	ELECTRONIC CONTROL UNIT(ECU)		
20.	ELECTRIC PARTS		
21.	ACCESSORY		

Fig.1. CYLINDER BLOCK



(A)=4TNV86CHT-MAW
(B)=
(C)=

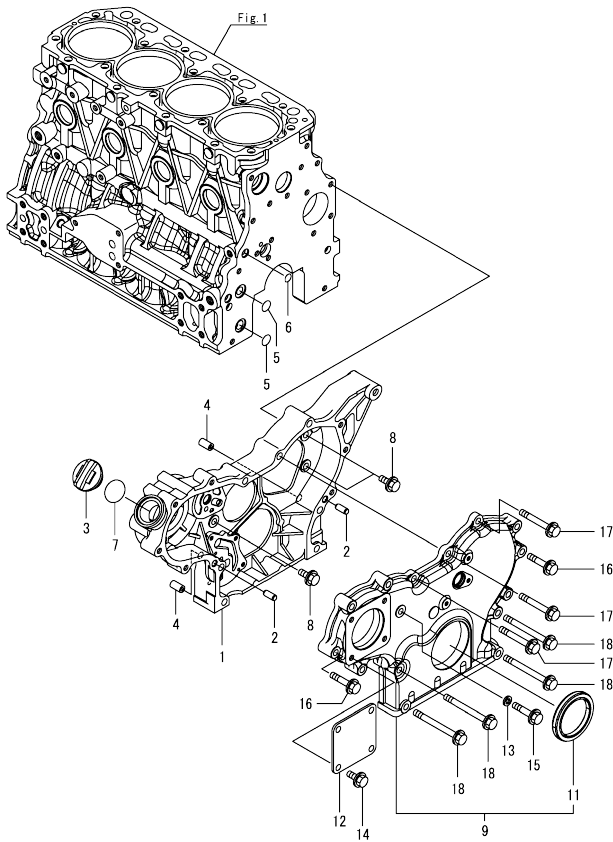
(D)=
(E)=
(F)=

No.	Lev.	Parts No.	Description	Q'ty						I	R
				(A)	(B)	(C)	(D)	(E)	(F)		
1	1	129C01-01560	BLOCK ASSY, CYLINDER	1							
4	2	129001-01250	PLUG, DISH TYPE 50	1							
5	2	171051-01921	PLUG, NPTF1	1							
6	2	129150-02020	BOLT, METAL CAP	10							
9	2	129795-02412	BUSH, CAMSHAFT	1							
10	2	27241-300000	PLUG 30	8							
11	2	124060-01050	PLUG, PT1/8	1							
12	2	124160-01910	PLUG, PT1/4	2							
13	2	124160-01910	PLUG, PT1/4	1							
14	2	27241-120000	PLUG, 12	1							
24	2	129150-02931	BEARING ASSY, THRUST	2							
27	1	129150-01200	BOLT, CYLINDER HEAD	18							
28	1	129C01-01331	GASKET, CYL. HEAD	1							
29	1	129001-02931	BEARING ASSY, MAIN	5							1
32	1	129150-02871	BEARING ASSY, MAIN	5							2
35	1	129150-02941	BEARING, THRUST 0.25	1							3

Remarks

- (1)Spare parts.
- (2)Under-sized(U.S.=0.25) parts.
- (3)Over-sized(O.S.=0.25) parts.

Fig.2. GEAR HOUSING

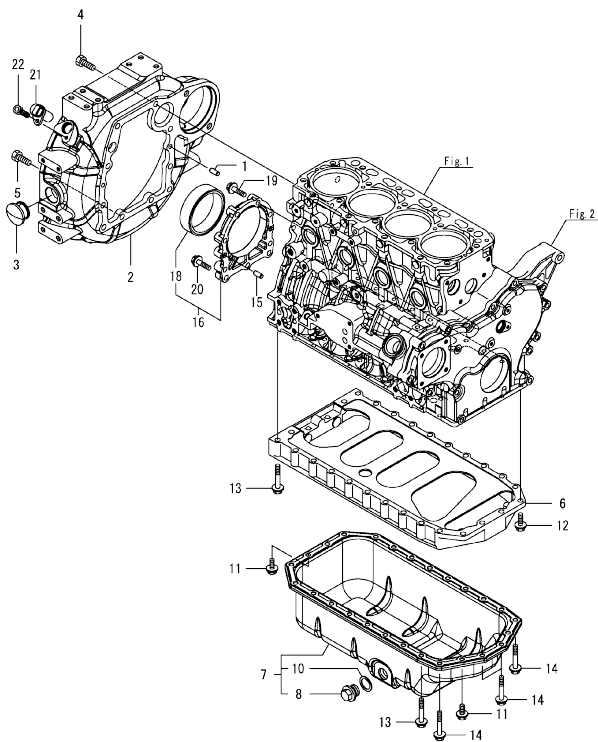


(A)=4TNV86CHT-MAW
(B)=
(C)=

(D)=
(E)=
(F)=

No.	Lev.	Parts No.	Description	Q'ty						I	R
				(A)	(B)	(C)	(D)	(E)	(F)		
1	1	129A00-01500	CASE, GEAR	1							
1-1	1	129A23-01500	CASE, GEAR	1							N
(A=E23924)											
2	1	129100-01580	PIN, PARALLEL 8X16	2							
3	1	124160-01751	CAP, FILLER	1							
4	1	129795-01950	PIPE, DOWEL L=18	2							
5	1	119609-32040	O-RING, P16	2							
6	1	119624-32040	O-RING, P12.0	1							
7	1	24311-000320	O-RING, 1AP32.0	1							
8	1	26106-080162	BOLT, M8X 16 PLATED	3							
9	1	129A00-01550	COVER ASSY,GEAR CASE	1							
11	2	119934-01800	SEAL, OIL	1							
12	1	124240-01871	COVER, PUMP	1							
13	1	22190-080002	WASHER, SEAL 8	1							
14	1	26106-080162	BOLT, M8X 16 PLATED	4							
15	1	26106-080352	BOLT, M8X 35 PLATED	1							
16	1	26106-080402	BOLT, M8X 40 PLATED	7							
17	1	26106-080602	BOLT, M8X 60 PLATED	3							
18	1	26106-080852	BOLT, M8X 85 PLATED	4							

Fig.3. FLYWHEEL HOUSING & OIL SUMP

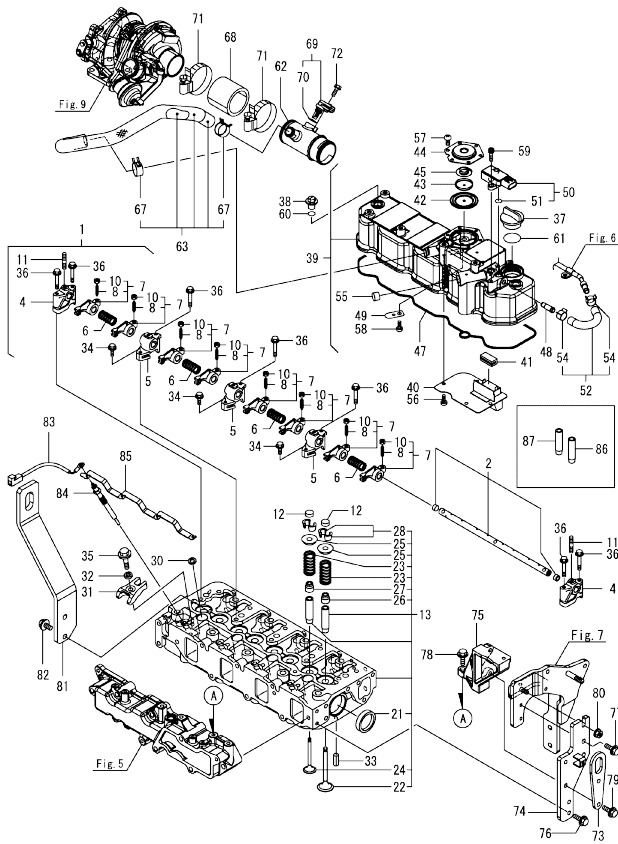


No.	Lev.	Parts No.	Description	Q'ty						I	R
				(A)	(B)	(C)	(D)	(E)	(F)		
1	1	129100-01580	PIN, PARALLEL 8X16	2							
2	1	129A00-01602	HOUSING, FLYWHEEL	1							
3	1	119620-01750	CAP	1							
4	1	26206-100252	BOLT, M10X 25 PLATED	6							
5	1	26206-100302	BOLT, M10X 30 PLATED	4							
6	1	129400-01730	SPACER, OIL-PAN	1							
7	1	129688-01780	OIL PAN ASSY, DEEP	1							
8	2	119640-01640	PLUG, DRAIN M22	1							
10	2	22190-220002	WASHER, SEAL 22	1							
11	1	26106-080162	BOLT, M8X 16 PLATED	4							
12	1	26106-080252	BOLT, M8X 25 PLATED	2							
13	1	26106-080452	BOLT, M8X 45 PLATED	20							
14	1	26106-080502	BOLT, M8X 50 PLATED	4							
15	1	129100-01580	PIN, PARALLEL 8X16	2							
16	1	129100-01640	CASE ASSY, OIL SEAL	1							
18	2	129795-01780	SEAL, OIL	1							
19	1	129486-01670	BOLT, M8X30	6							
20	1	26106-080352	BOLT, M8X 35 PLATED	3							
21	1	129A00-21710	SENSOR, FLYWHEEL REV	1							1
22	1	26450-060162	BOLT, M6X 16	1							

Remarks

(1)When replacing this part, it is necessary to update the software of the ECU using the designated service tool. Please refer to the Service Manual for details.

Fig.4. CYLINDER HEAD & BONNET



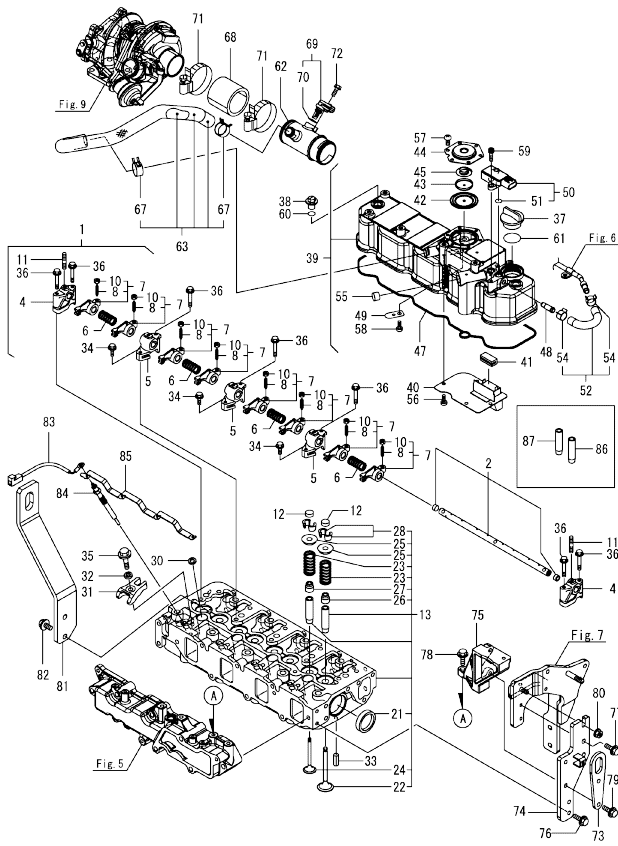
(A)=4TNV86CHT-MAW
(B)=
(C)=

(D)=
(E)=
(F)=

No.	Lev.	Parts No.	Description	Q'ty						I	R
				(A)	(B)	(C)	(D)	(E)	(F)		
1	1	129601-11241	SHAFT ASSY, ROCKER	1							
2	2	129601-11251	SHAFT, ROCKER ARM	1							
4	2	119802-11260	SUPPORT, ROCKER ARM	2							
5	2	119802-11270	SUPPORT, ROCKER ARM	3							
6	2	129150-11280	SPRING, ROCKER	4							
7	2	129004-11650	ARM ASSY, ROCKER	8							
8	3	129150-11230	SCREW, VALVE ADJUST	8							
10	3	129150-11750	NUT, M8	8							
11	2	26226-080182	STUD, M8X 18	3							
12	1	129150-11370	CAP, VALVE	8							
13	1	129C01-11700	HEAD ASSY, CYLINDER	1							
21	2	27241-400000	PLUG, 40	2							
22	2	129005-11100	VALVE, SUCTION	4							
23	2	129795-11120	SPRING, VALVE	8							
24	2	129100-11130	VALVE, EXHAUST	4							
25	2	129795-11180	RETAINER, SPRING	8							
26	2	124460-11340	SEAL, VALVE STEM	4							
27	2	129A00-11340	SEAL, VALVE STEM	4							
28	2	27310-080001	COTTER, 8	8							
30	1	129978-11871	GASKET, INJECTOR	4							
31	1	129A00-11900	RETAINER, INJECTOR	4							
32	1	120270-54410	WASHER, INJECTOR	4							
33	1	22351-060012	PIN, SPRING 6.0X12	2							
34	1	26106-080252	BOLT, M8X 25 PLATED	3							
35	1	26106-080352	BOLT, M8X 35 PLATED	4							
36	1	26106-080502	BOLT, M8X 50 PLATED	7							
37	1	124160-01751	CAP, FILLER	1							
38	1	124160-11360	KNOB	3							
39	1	129C01-11360	BONNET ASSY	1							
40	2	129004-03010	PLATE, BAFFLE	1							
41	2	129150-03070	BAFFLE, BREATHER	1							
42	2	123907-03100	DIAPHRAGM	1							
43	2	123907-03110	PLATE	1							
44	2	123907-03120	PLATE, BREATHER	1							
45	2	123907-03140	SPRING, DIAPHRAGM	1							
47	2	129C00-11310	GASKET, COVER	1							
48	2	129A00-11330	JOINT	1							
49	2	129009-11340	SPRING, PLATE	1							
50	2	129978-12700	SENSOR,PRESSURE	1							1
51	3	129A00-12780	O-RING,PRES SENSOR	2							
52	2	129A00-13360	HOSE ASSY, PRES EXH	1							
54	3	129A00-13380	CLIP, HOSE 14	2							
55	2	119640-61400	PLUG	1							
56	2	22857-500100	SCREW, 5X10	4							
57	2	22857-500100	SCREW, 5X10	6							
58	2	22857-500100	SCREW, 5X10	1							
59	2	26450-060162	BOLT, M6X 16	2							
60	1	24311-000120	O-RING, 1AP12.0	3							
61	1	24311-000320	O-RING, 1AP32.0	1							
62	1	129C01-03060	JOINT,BREATHER	1							
63	1	129C01-03130	HOSE ASSY, BREATHER	1							

Remarks
(1)When replacing this part, it is necessary to update the software of the ECU using the designated service tool.
Please refer to the Service Manual for details.
(2)Spare parts.

Fig.4. CYLINDER HEAD & BONNET



(A)=4TNV86CHT-MAW
(B)=
(C)=

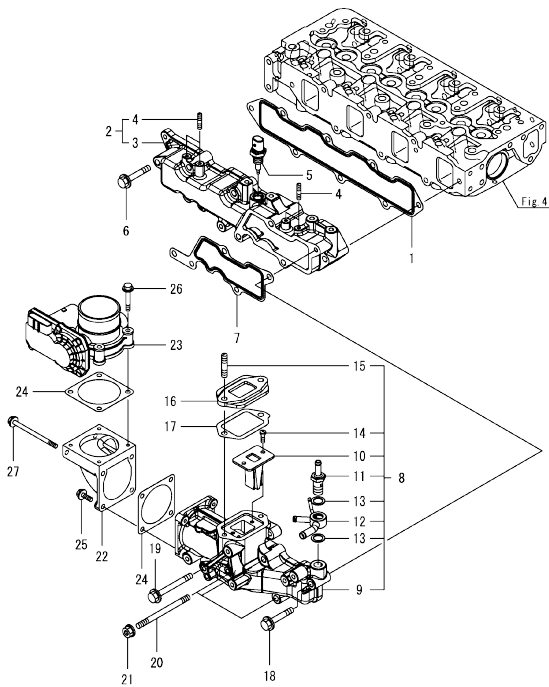
(D)=
(E)=
(F)=

No.	Lev.	Parts No.	Description	Q'ty						I	R
				(A)	(B)	(C)	(D)	(E)	(F)		
67	2	129410-03990	CLAMP, HOSE 21.5	2							
68	1	129C01-12060	HOSE,INTAKE	1							
69	1	129A00-12711	SENSOR,AIR TEMP	1							
70	2	129A00-12790	O-RING,TEMP SENSOR	1							
71	1	23000-060000	CLAMP, 60	2							
72	1	26106-060162	BOLT, M6X 16 PLATED	1							
73	1	129A01-07900	LIFTER, ENGINE	1							
74	1	129A01-16810	STAY,DPF	1							
75	1	129A01-55650	STAY,FO FILTER BRACK	1							
76	1	26106-080202	BOLT, M8X 20 PLATED	2							
77	1	26106-080202	BOLT, M8X 20 PLATED	2							
78	1	26106-080252	BOLT, M8X 25 PLATED	1							
79	1	26106-080302	BOLT, M8X 30 PLATED	2							
80	1	26306-080002	NUT, M8	1							
81	1	129C01-07900	LIFTER, ENGINE	1							
82	1	26106-080202	BOLT, M8X 20 PLATED	2							
83	1	119803-77830	HARNES, WIRE	1							
84	1	129008-77800	PLUG, GLOW	4							
85	1	129C00-77820	CONNECTOR, GLOW PLUG	1							
86	1	120130-11860	GUIDE, VALVE	4							2
87	1	129150-11810	GUIDE, VALVE	4							2

Remarks

- (1)When replacing this part, it is necessary to update the software of the ECU using the designated service tool. Please refer to the Service Manual for details.
- (2)Spare parts.

Fig.5. SUCTION MANIFOLD



(A)=4TNV86CHT-MAW
(B)=
(C)=

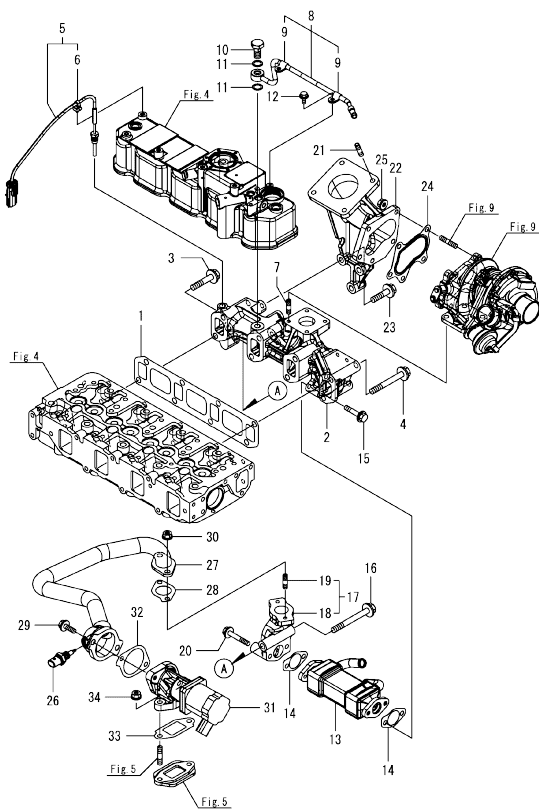
(D)=
(E)=
(F)=

No.	Lev.	Parts No.	Description	Q'ty						I	R
				(A)	(B)	(C)	(D)	(E)	(F)		
1	1	129C00-12110	GASKET, INT MANIFOLD	1							
2	1	129C01-12150	MANIFOLD CMP,INTAKE	1							
3	2	129C01-12100	MANIFOLD,INT	1							
4	2	26216-060202	STUD, M6X 20	4							
5	1	129A00-12720	SENSOR,AIR TEMP	1							1
6	1	26106-080502	BOLT, M8X 50 PLATED	5							
7	1	129A00-12810	GASKET, COLLECTOR	1							
8	1	129A01-12851	COLLECTOR, INT CMP	1							
9	2	129A01-12800	COLLECTOR, INT	1							
10	2	129C01-13700	VALVE, REED	1							
11	2	129A00-59110	JOINT, HOSE M14	1							
12	2	129A00-59120	JOINT, HOSE 14	1							
13	2	22190-140002	WASHER, SEAL 14	2							
14	2	22857-500160	SCREW, 5X16	2							
15	2	26216-080352	STUD, M8X 35	2							
16	1	129A00-13710	SPACER, EGR VALVE	1							
17	1	129A00-13720	GASKET(EGR-V SPACER	1							
18	1	26106-080502	BOLT, M8X 50 PLATED	1							
19	1	26106-080752	BOLT, M8X 75 PLATED	1							
20	1	26216-081052	STUD, M8X105	3							
21	1	26306-080002	NUT, M8	3							
22	1	129A00-12820	BEND, INLET	1							
23	1	129A00-12900	THROTTLE BODY(INT	1							1
24	1	129A00-12910	GASKET,THROTTLE	2							
25	1	26106-060202	BOLT, M6X 20 PLATED	2							
26	1	26106-060402	BOLT, M6X 40 PLATED	4							
27	1	26106-060902	BOLT, M6X 90 PLATED	2							

Remarks

(1)When replacing this part, it is necessary to update the software of the ECU using the designated service tool. Please refer to the Service Manual for details.

Fig.6. EXHAUST MANIFOLD



(A)=4TNV86CHT-MAW
(B)=
(C)=

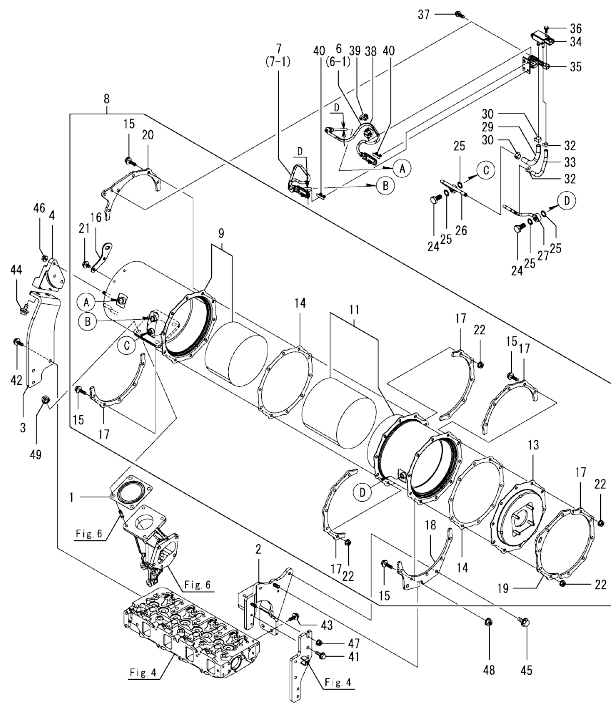
(D)=
(E)=
(F)=

No.	Lev.	Parts No.	Description	Q'ty						I	R
				(A)	(B)	(C)	(D)	(E)	(F)		
1	1	129C00-13110	GASKET, EXH MANIFOLD	1							
2	1	129C01-13110	MANIFOLD, EXHAUST	1							
3	1	129A01-13601	BOLT, M10X50 10.9T	1							
4	1	129F01-13630	BOLT, M10X80 10.9T	7							
5	1	129C01-13770	SENSOR, EXH TEMP.	1							1
6	2	129A00-91200	BAND CLIP	1							
7	1	129418-18320	BOLT, STUD M8X20	4							
8	1	129A00-13300	PIPE ASSY, EXHAUST P	1							
9	2	23297-080061	CLAMP, A8X 6	2							
10	1	129A00-13350	BOLT, PIPE JOINT	1							
11	1	23414-120000	GASKET, 12X1.0	2							
12	1	26106-060122	BOLT, M6X 12 PLATED	2							
13	1	129A00-13400	COOLER, EGR	1							
14	1	129A00-13410	GASKET, EGR COOLER	2							
15	1	129F01-13600	BOLT, M10X90 10.9T	1							
16	1	129E00-13620	BOLT, M8X40 10.9	2							
17	1	129A00-13851	PIPE CMP, EGR OUT	1							
18	2	129A00-13861	PIPE, EGR OUT	1							
19	2	129418-18320	BOLT, STUD M8X20	2							
20	1	26106-080502	BOLT, M8X 50 PLATED	2							
21	1	123900-13130	STUD, M10X22	4							
22	1	129C01-13360	PIPE, EXHAUST	1							
23	1	129F01-13650	BOLT, M10X40 10.9T	3							
24	1	129508-18090	GASKET	1							
25	1	26306-080002	NUT, M8	5							
26	1	129A00-13751	SENSOR, EGR GAS TEMP	1							1
27	1	129C00-13800	PIPE(EGR CMP)	1							
28	1	129927-13810	GASKET	1							
29	1	26106-080252	BOLT, M8X 25 PLATED	2							
30	1	26306-080002	NUT, M8	2							
31	1	129C00-13901	VALVE, EGR	1							1
32	1	129A00-13910	GASKET, EGR-V IN	1							
33	1	129A00-13920	GASKET(EGR-V OUT)	1							
34	1	26306-080002	NUT, M8	2							

Remarks

(1)When replacing this part, it is necessary to update the software of the ECU using the designated service tool. Please refer to the Service Manual for details.

Fig.7. DIESEL PARTICULATE FILTER(DPF)



(A)=4TNV86CHT-MAW
(B)=
(C)=

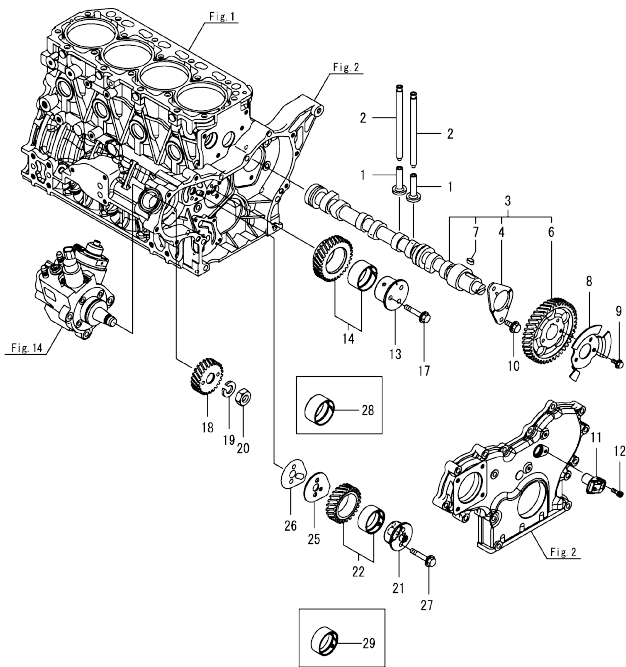
(D)=
(E)=
(F)=

No.	Lev.	Parts No.	Description	Q'ty						I	R
				(A)	(B)	(C)	(D)	(E)	(F)		
1	1	128300-13230	GASKET, SILENCER	1							
2	1	129C01-16811	STAY, DPF	1							
3	1	129C01-16820	STAY, DPF	1							
4	1	129C01-16830	STAY, DPF	1							
6	1	129C00-13940	SENSOR, EXH. TEMP.	1							1
6-1	1	129C00-13860	SENSOR, ATD TEMP. DS+	1							S 1
(A=E26567)											
7	1	129C00-13950	SENSOR, EXH. TEMP.	1							1
7-1	1	129C00-13870	SENSOR, ATD TEMP. DS+	1							S 1
(A=E26567)											
8	1	129C35-16000	DPF ASSY	1							1
9	2	129C33-16200	CASE, DOC	1							1
11	2	129C01-16410	CASE, SOOT FILTER	1							1
13	2	129C01-16550	FLANGE, OUTLET	1							
14	2	129E00-16600	GASKET, DPF	2							
15	2	129A00-16610	BOLT, M8X28 10.9T	20							
16	2	129C01-16680	LIFTER, DPF	1							
17	2	129C01-16700	STIFFENER, DPF A	5							
18	2	129C01-16721	STIFFENER, DPF B	1							
19	2	129C01-16740	STIFFENER, DPF C	1							
20	2	129C01-16750	STIFFENER, DPF C	1							
21	2	26106-080142	BOLT, M8X 14 PLATED	2							
22	2	26306-080002	NUT, M8	20							
24	1	129A00-13350	BOLT, PIPE JOINT	2							
25	1	129A00-17311	GASKET, SENSOR	4							
26	1	129E00-17310	PIPE ASSY, PRESSURE	1							
27	1	129E00-17360	PIPE ASSY, PRESSURE	1							
29	1	129C01-17510	HOSE, PRES EXH	1							
30	1	129A00-17520	CLIP, HOSE	2							
32	1	129A00-17570	CLIP, HOSE	2							
33	1	129A00-17580	HOSE, PRES EXH	1							
34	1	129978-17700	SENSOR, PRESSURE	1							1
35	1	129A00-17780	BRACKET, SENSOR	1							
36	1	26106-060162	BOLT, M8X 16 PLATED	2							
37	1	26106-080202	BOLT, M8X 20 PLATED	2							
38	1	129A00-91200	CLIP, BAND	1							
39	1	129C00-91200	BAND	1							
40	1	129A00-91430	CLIP, CONNECTOR	2							
41	1	26106-080202	BOLT, M8X 20 PLATED	2							
42	1	26106-080202	BOLT, M8X 20 PLATED	3							
43	1	26106-080202	BOLT, M8X 20 PLATED	2							
44	1	26106-100202	BOLT, M10X 20 PLATED	2							
45	1	26106-100202	BOLT, M10X 20 PLATED	2							
46	1	26306-080002	NUT, M8	3							
47	1	26306-080002	NUT, M8	1							
48	1	26306-100002	NUT, M10	1							
49	1	26306-100002	NUT, M10	4							

Remarks

(1)When replacing this part, it is necessary to update the software of the ECU using the designated service tool. Please refer to the Service Manual for details.
Interchangeability of No.6-1, 7-1 is Serial No.E09830 or previous : S, Serial No.E09831 or following : N.
D=No.6 & 7 : 5.5mm, No.6-1 & 7-1 : 6.5mm.

Fig.8. CAMSHAFT & DRIVING GEAR



(A)=4TNV86CHT-MAW
(B)=
(C)=

(D)=
(E)=
(F)=

No.	Lev.	Parts No.	Description	Q'ty						I	R
				(A)	(B)	(C)	(D)	(E)	(F)		
1	1	129150-14200	TAPPET	8							
2	1	129150-14400	PUSH-ROD, L=178	8							
3	1	129C00-14580	CAMSHAFT ASSY	1							
4	2	129150-02450	BEARING, THRUST	1							
6	2	129A00-14100	GEAR,CAMSHAFT	1							
7	2	22512-070140	KEY, 7X 14	1							
8	1	129A00-14700	PULSER, CAMSHAFT	1							
9	1	26106-060102	BOLT, M6X 10 PLATED	3							
10	1	26106-080142	BOLT, M8X 14 PLATED	2							
11	1	129A00-14710	SENSOR, GEAR REV	1							
12	1	26450-060162	BOLT, M6X 16	1							
13	1	129A00-25050	SHAFT, IDLE GEAR A	1							
14	1	129A00-25110	GEAR ASSY, IDLE A	1							
17	1	26106-080452	BOLT, M8X 45 PLATED	3							
18	1	129A00-25900	GEAR, SUPPLY PUMP	1							
19	1	22217-180000	WASHER, SPRING 18	1							
20	1	26776-180002	NUT, LOCK M18	1							
21	1	129A00-25060	SHAFT, IDLE GEAR B	1							
22	1	129A00-25120	GEAR ASSY, IDLE B	1							
25	1	129A00-25200	PLATE, IDLE SHAFT B	1							
26	1	129A00-25210	GASKET, IDLE SHAFT B	1							
27	1	26106-080402	BOLT, M8X 40 PLATED	2							
28	1	119802-25071	BUSH, IDLE GEAR	1							1
29	1	129A00-25080	BUSH	1							1

Remarks
(1)Spare parts.

OCD50-M02550 ENGINE
 Fig.9. TURBINE

OCD50-M02550 Fig.9

(A)=4TNV86CHT-MAW
 (B)=
 (C)=

(D)=
 (E)=
 (F)=

No.	Lev.	Parts No.	Description	Q'ty					
				(A)	(B)	(C)	(D)	(E)	(F)
1	1	129C01-18010	TURBINE ASSY, RHF4	1					
2	1	129508-18080	GASKET	1					
3	1	119131-18320	BOLT, STUD M8X22	5					
4	1	26306-080002	NUT, M8	4					

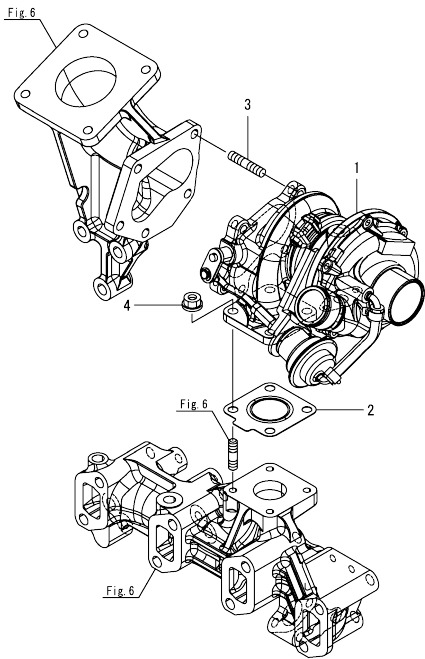
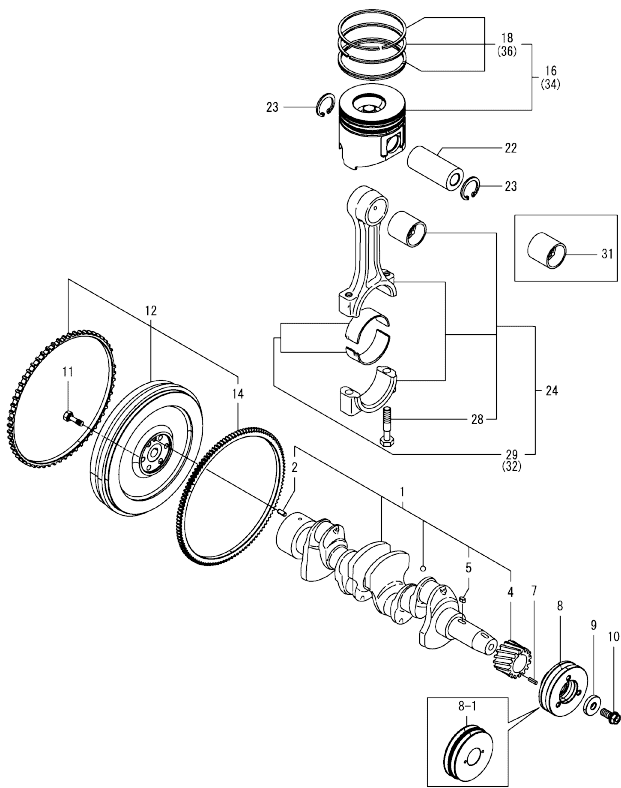


Fig.10. CRANKSHAFT & PISTON



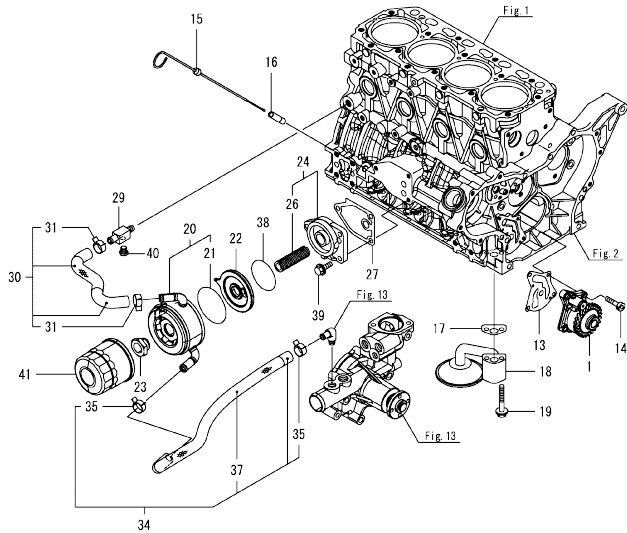
(A)=4TNV86CHT-MAW
(B)=
(C)=

(D)=
(E)=
(F)=

No.	Lev.	Parts No.	Description	Q'ty						I	R
				(A)	(B)	(C)	(D)	(E)	(F)		
1	1	129509-21000	CRANKSHAFT ASSY	1							
2	2	129100-01580	PIN, PARALLEL 8X16	1							
4	2	119803-21200	GEAR, CRANKSHAFT	1							
5	2	22512-070140	KEY, 7X 14	1							
7	1	22351-030010	PIN, SPRING 3.0X10	1							
8	1	119802-21660	V-PULLEY, CRANK 120	1							
8-1	1	129C35-21310	V-PULLEY	1							N
(A=E23924)											
9	1	129795-21661	WASHER	1							
10	1	121850-21680	BOLT	1							
11	1	121111-21501	BOLT, FLYWHEEL	6							
12	1	129C34-21580	FLYWHEEL ASSY	1							
14	2	119865-21600	GEAR, RING Z=116	1							
16	1	129A01-22080	PISTON ASSY	4							
18	2	129A01-22500	RING ASSY, PISTON	4							
22	1	129202-22300	PIN, PISTON D26 L70	4							
23	1	22252-000260	RING, 26	8							
24	1	729402-23100	ROD ASSY, CONNECTING	4							
28	3	121550-23200	BOLT, CONNECTING ROD	8							
29	2	129150-23601	BEARING, CRANK PIN	4							
31	1	129100-23910	BEARING, PISTON PIN	4							1
32	1	129150-23611	BEARING, 0.25 US	4							2
34	1	129A01-22900	PISTON ASSY, 0.25 OS	4							3
36	2	129A01-22950	RING ASSY, 0.25OS	4							3

Remarks
(1)Spare parts.
(2)Under-sized(U.S.=0.25) parts.
(3)Over-sized(O.S.=0.25) parts.

Fig.11. LUB. OIL SYSTEM



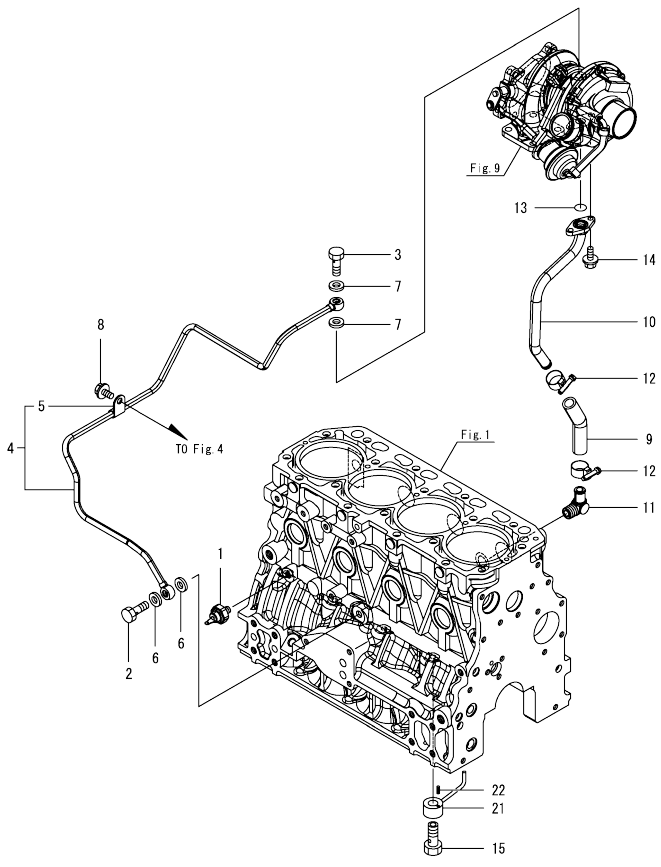
(A)=4TNV86CHT-MAW
(B)=
(C)=

(D)=
(E)=
(F)=

No.	Lev.	Parts No.	Description	Q'ty						I	R
				(A)	(B)	(C)	(D)	(E)	(F)		
1	1	129A01-32000	PUMP ASSY, LUB. OIL	1							
13	1	129486-32020	GASKET, PUMP	1							
14	1	26450-060252	BOLT, M6X 25	4							
15	1	129004-34802	DIPSTICK	1							
16	1	121520-34810	GUIDE, DIPSTICK	1							
17	1	129150-35042	GASKET	1							
18	1	129436-35070	PIPE ASSY, OIL INLET	1							
19	1	26106-080552	BOLT, M8X 55 PLATED	2							
20	1	129908-33010	COOLER ASSY, OIL	1							
21	2	123912-33050	O-RING	1							
22	1	129C01-33100	BRACKET, LO COOLER	1							
23	1	129417-33111	NUT, OIL COOLER	1							
24	1	129648-35100	BRACKET ASSY, FILTER	1							
26	2	129648-35150	STUD	1							
27	1	129150-35111	GASKET	1							
29	1	129006-44480	JOINT	1							
30	1	129A01-49030	PIPE, COOLING WATER	1							
31	2	171008-03990	CLAMP, HOSE 18.5	2							
34	1	129A01-49040	HOSE, COOLING WATER	1							
35	2	171008-03990	CLAMP, HOSE 18.5	2							
37	2	129608-49090	TUBE, CORRUGATED	1							
38	1	24321-000600	O-RING, 1AG60.0	1							
39	1	26106-080202	BOLT, M8X 20 PLATED	3							
40	1	171056-49120	PLUG, DRAIN R1/4	1							
41	1	129150-35153	FILTER ASSY, D80X80L	1							1

Remarks
(1)Spare parts.

Fig.12. LUB. OIL PIPE

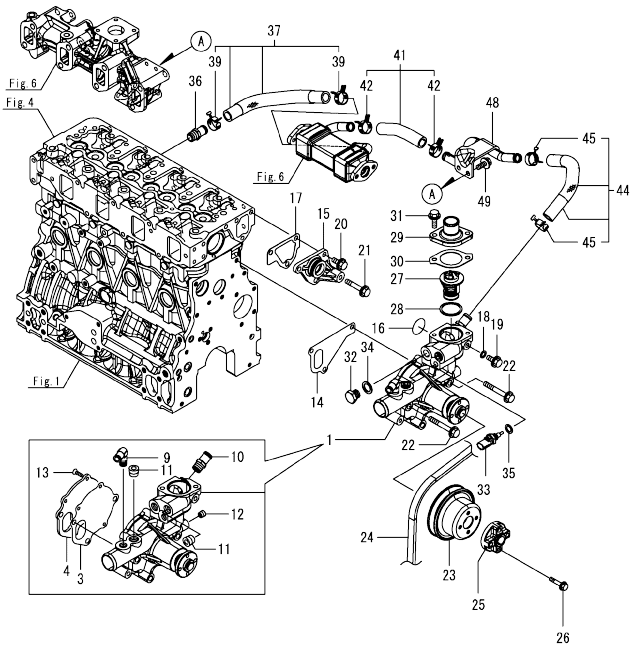


(A)=4TNV86CHT-MAW
(B)=
(C)=

(D)=
(E)=
(F)=

No.	Lev.	Parts No.	Description	Q'ty						I	R
				(A)	(B)	(C)	(D)	(E)	(F)		
1	1	119761-39450	SWITCH, HYDRAULIC	1							
2	1	124160-39140	BOLT, PIPE JOINT M10	1							
3	1	121252-39150	BOLT, JOINT M10X1.5	1							
4	1	129C01-39450	PIPE ASSY, LUB. OIL	1							
5	2	124223-39900	RETAINER	1							
6	1	22190-100002	WASHER, SEAL 10	2							
7	1	23414-100000	GASKET, 10X1.0	2							
8	1	26106-080122	BOLT, M8X 12 PLATED	1							
9	1	129044-39610	JOINT, RUBBER	1							
10	1	129C01-39610	PIPE, LUB. OIL	1							
11	1	129466-49300	ELBOW, PT3/8	1							
12	1	23000-022000	CLAMP, 22	2							
13	1	24316-000160	O-RING, 4DP16.0	1							
14	1	26106-060122	BOLT, M6X 12 PLATED	2							
15	1	129792-39410	VALVE ASSY, CHECK	4							
21	1	129553-39650	NOZZLE, COOLING	4							
22	1	22351-030010	PIN, SPRING 3.0X10	4							

Fig.13. COOLING WATER SYSTEM



(A)=4TNV86CHT-MAW
(B)=
(C)=

(D)=
(E)=
(F)=

No.	Lev.	Parts No.	Description	Q'ty						I	R
				(A)	(B)	(C)	(D)	(E)	(F)		
1	1	129A01-42000	PUMP ASSY, WATER	1							
3	2	129100-42051	GASKET, WATER PUMP	1							
4	2	129100-42121	PLATE, PUMP	1							
9	2	129103-49301	ELBOW, PT1/4	1							
10	2	129928-49420	JOINT	1							
11	2	129916-49740	PLUG, R3/8	2							
12	2	23876-010000	PLUG, R01	1							
13	2	26577-060142	SCREW M 6X 14	3							
14	1	129486-42021	GASKET, WATER PUMP	1							
15	1	129004-42040	JOINT	1							
16	1	129486-42140	O-RING, G30	1							
17	1	124395-49840	GASKET, THERMOSTAT	1							
18	1	23414-080000	GASKET, 8X1.0	1							
19	1	26106-080122	BOLT, M8X 12 PLATED	1							
20	1	26106-080162	BOLT, M8X 16 PLATED	3							
21	1	26106-080452	BOLT, M8X 45 PLATED	1							
22	1	26106-080602	BOLT, M8X 60 PLATED	3							
23	1	129556-42350	V-PULLEY, 96	1							
23-1	1	129403-42380	V-PULLEY, PUMP	1							N
		(A=E23924)									
24	1	129044-42290	V-BELT, A38.5	1							
24-1	1	25152-004100	V-BELT, A41	1							N
		(A=E23924)									
25	1	121267-44760	SPACER, FAN	1							
26	1	26106-060302	BOLT, M6X 30 PLATED	4							
27	1	129457-49801	THERMOSTAT, 82	1							
28	1	129150-49811	GASKET, THERMOSTAT	1							
29	1	129350-49530	COVER, THERMOSTAT	1							
30	1	129795-49551	GASKET	1							
31	1	26106-080222	BOLT, M8X 22 PLATED	2							
32	1	121450-42450	PLUG, M16	1							
33	1	129927-44900	SENSOR, WATER TEMP.	1							1
34	1	124465-44950	GASKET, 16	1							
35	1	22190-120002	WASHER, SEAL 12	1							
36	1	129928-49420	JOINT	1							
37	1	129A00-49610	PIPE ASSY, WATER IN	1							
39	2	129960-03990	CLAMP, HOSE 19.8	2							
41	1	129C00-49610	PIPE ASSY, WATER OUT	1							
42	2	129960-03990	CLAMP, HOSE 19.8	2							
44	1	129C00-49620	PIPE ASSY, WATER OUT	1							
45	2	129960-03990	CLAMP, HOSE 19.8	2							
48	1	129C23-49700	PIPE ASSY, CW	1							
49	1	26106-080162	BOLT, M8X 16 PLATED	2							

Remarks

(1)When replacing this part, it is necessary to update the software of the ECU using the designated service tool. Please refer to the Service Manual for details.

Fig.14. FUEL SUPPLY PUMP

(A)=4TNV86CHT-MAW
(B)=
(C)=

(D)=
(E)=
(F)=

No.	Lev.	Parts No.	Description	Q'ty						I	R
				(A)	(B)	(C)	(D)	(E)	(F)		
1	1	129A00-51000	PUMP ASSY, FUEL	1							1
2	2	129A00-51100	VALVE ASSY, MPROP	1							1
3	3	129A00-51110	RING, SEALING	1							
4	3	129A00-51120	O-RING, MPROP	1							
5	2	129A00-51130	BOLT, MPROP	2							
6	2	129A00-51200	SENSOR, TEMPERATURE	1							1
7	2	129A00-51900	O-RING, FUEL PUMP	1							
8	1	26106-080302	BOLT, M8X 30 PLATED	3							

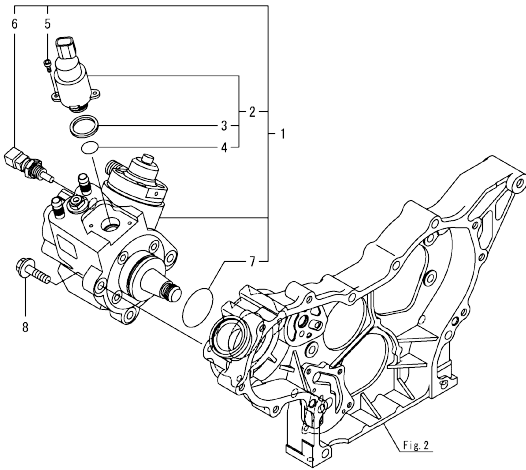
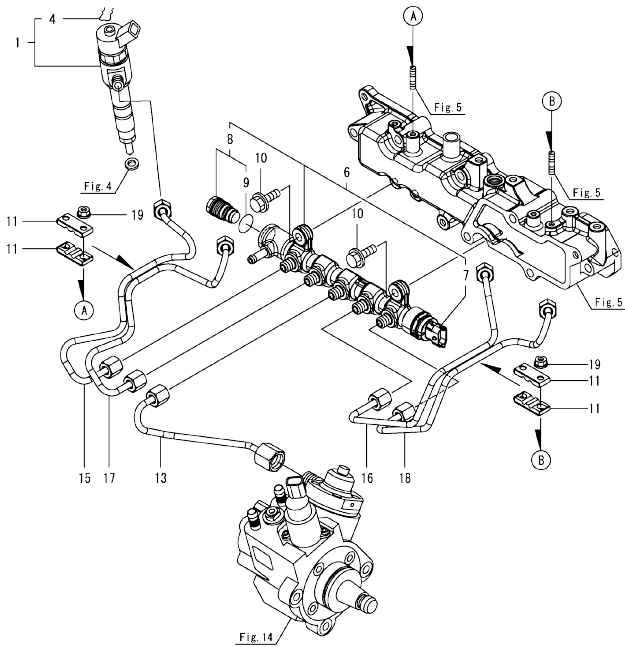


Fig.2

Remarks

(1)When replacing this part, it is necessary to update the software of the ECU using the designated service tool. Please refer to the Service Manual for details.

Fig.15. FUEL INJECTION VALVE



(A)=4TNV86CHT-MAW
(B)=
(C)=

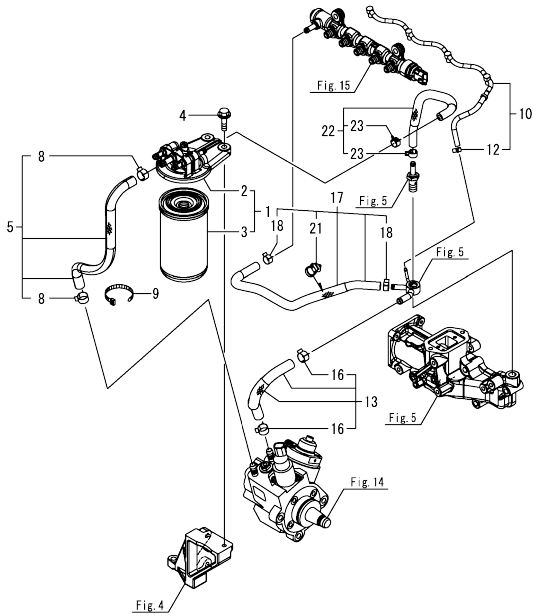
(D)=
(E)=
(F)=

No.	Lev.	Parts No.	Description	Q'ty						I	R
				(A)	(B)	(C)	(D)	(E)	(F)		
1	1	129A01-53100	INJECTOR, CR	4							
4	2	129A00-53200	RING, RETAINING	4							
6	1	129C00-57000	RAIL ASSY	1							1
7	2	129A00-57100	SENSOR, RAILPRESSURE	1							1
8	2	129A00-57200	VALVE ASSY, PLV4	1							1
9	3	129A00-57210	O-RING, PLV4	1							
10	1	26106-080252	BOLT, M8X 25 PLATED	2							
11	1	122780-59100	RETAINER	4							
13	1	129A00-59700	PIPE ASSY, RAIL IN	1							
15	1	129C00-59810	PIPE ASSY, INJECTION	1							
16	1	129A00-59820	PIPE ASSY, INJECTION	1							
17	1	129C00-59820	PIPE ASSY, INJECTION	1							
18	1	129A00-59830	PIPE ASSY, INJECTION	1							
19	1	26366-060002	NUT, M6	4							

Remarks

(1)When replacing this part, it is necessary to update the software of the ECU using the designated service tool. Please refer to the Service Manual for details.

Fig.16. FUEL PIPE

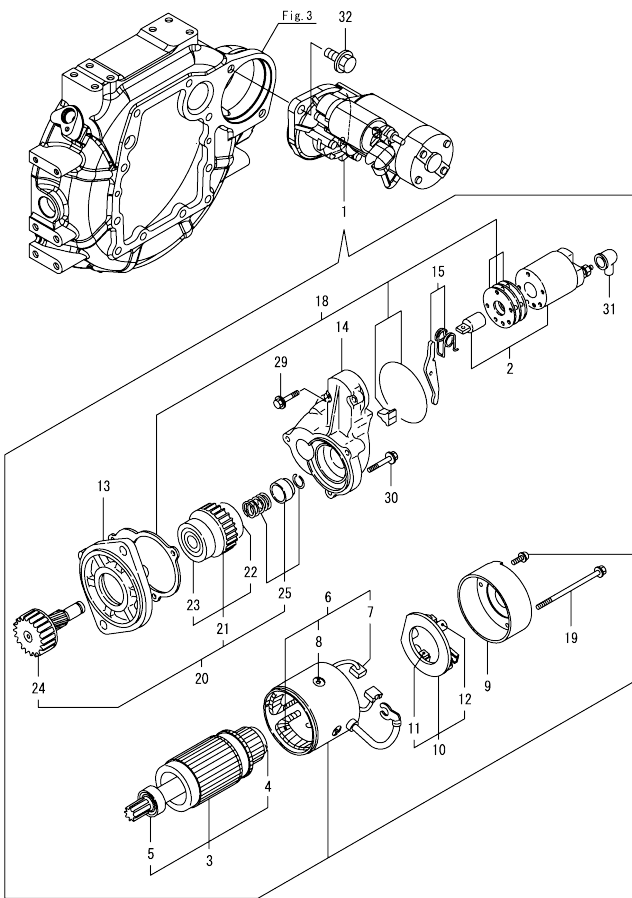


(A)=4TNV86CHT-MAW
(B)=
(C)=

(D)=
(E)=
(F)=

No.	Lev.	Parts No.	Description	Q'ty						I	R
				(A)	(B)	(C)	(D)	(E)	(F)		
1	1	129A00-55600	FILTE ASSY,FO	1							
2	2	129A00-55610	BRACKET ASSY,FO FILT	1							
3	2	129A00-55800	FILTER, FUEL OIL	1							
4	1	26106-080302	BOLT, M8X 30 PLATED	2							
5	1	129A00-59010	PIPE ASSY, FUEL	1							
8	2	23080-015000	CLAMP, 15	2							
9	1	121750-59890	BAND, NYLON	1							
10	1	129677-59501	PIPE ASSY, FO RE-INJ	1							
12	2	23080-007000	CLAMP, 7	1							
13	1	129A00-59020	PIPE ASSY, FUEL	1							
16	2	23080-015000	CLAMP, 15	2							
17	1	129C00-59030	PIPE ASSY, FUEL	1							
18	2	114270-59010	CLAMP, HOSE 12	2							
21	2	129A00-91200	BAND CLIP	1							
22	1	129A00-59040	PIPE ASSY, FUEL	1							
23	2	114270-59010	CLAMP, HOSE 12	2							

Fig.17. STARTER MOTOR



(A)=4TNV86CHT-MAW
(B)=
(C)=

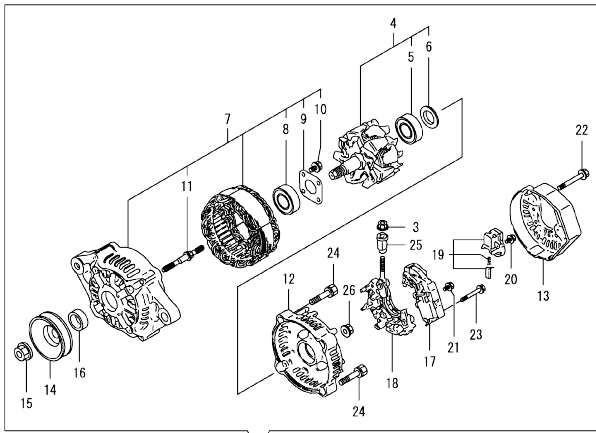
(D)=
(E)=
(F)=

No.	Lev.	Parts No.	Description	Q'ty						I	R
				(A)	(B)	(C)	(D)	(E)	(F)		
1	1	129136-77011	STARTER ASSY	1							
2	2	129136-77310	SWITCH ASSY	1							
3	2	129900-77400	ARMATURE ASSY	1							
4	3	X2130350900	BEARING, BALL	1							
5	3	X2114255110	BEARING, BALL	1							
6	2	129900-77440	COIL ASSY, FIELD	1							
7	3	129900-77450	BRUSH	2							
8	3	171008-77450	SCREW, CORE SET	4							
9	2	129900-77460	COVER	1							
10	2	129900-77480	HOLDER ASSY, BRUSH	1							
11	3	129900-77500	BRUSH	2							
12	3	129400-77490	SPRING, BRUSH	4							
13	2	171008-77510	CASE, GEAR	1							
14	2	129136-77520	HOUSING, STARTOR	1							
15	2	171008-77540	LEVER SET	1							
18	2	129400-77571	COVER KIT, DUST	1							
19	2	129900-77640	BOLT, THROUGH	2							
20	2	171008-77650	PINION ASSY,W/CLUTCH	1							
21	3	X2114555500	CLUTCH ASSY	1							
22	4	X2114955020	BEARING, BALL	1							
23	4	X2240410100	BEARING, BALL	1							
24	3	171008-77660	SHAFT, PINION	1							
25	3	171008-77670	STOPPER SET, PINION	1							
29	2	26106-060322	BOLT, M6X 32 PLATED	2							
30	2	26106-060402	BOLT, M6X 40 PLATED	3							
31	2	171008-77750	COVER, TERMINAL	1							
32	1	26106-120252	BOLT, M12X 25 PLATED	2							

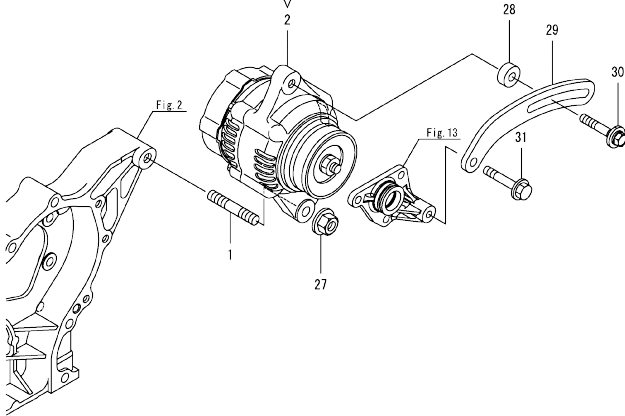
Fig.18. GENERATOR

(A)=4TNV86CHT-MAW
(B)=
(C)=

(D)=
(E)=
(F)=



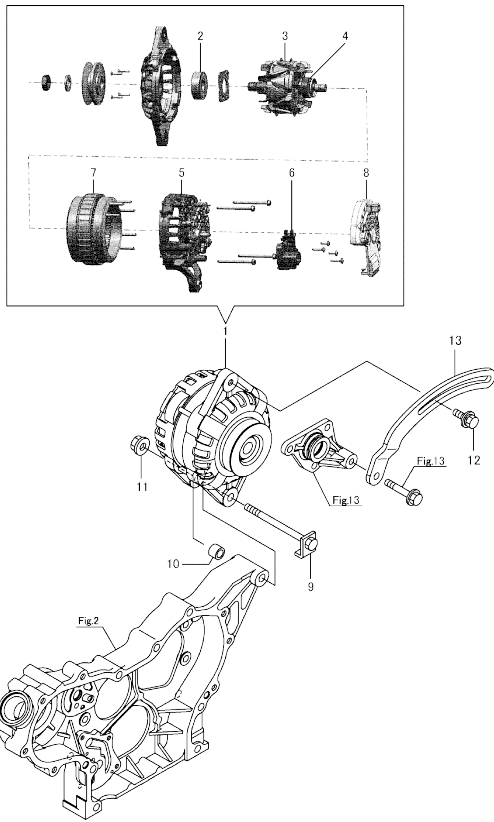
No.	Lev.	Parts No.	Description	Q'ty						I	R
				(A)	(B)	(C)	(D)	(E)	(F)		
1	1	129795-01900	BOLT, STUD M10X33	1							
2	1	129052-77220	GENERATOR ASSY, 55A	1							
3	2	X9490561001	NUT	1							
4	2	129052-77380	ROTOR ASSY	1							
5	3	123501-79240	BEARING, BALL	1							
6	3	119620-79250	COVER, BEARING	1							
7	2	129052-77422	FRAME ASSY	1							
8	3	119620-79200	BEARING, BALL	1							
9	3	119620-79210	RETAINER	1							
10	3	119620-79220	SCREW	4							
11	3	119620-79230	BOLT, STUD	2							
12	2	128401-77440	FRAME	1							
13	2	128401-77450	COVER, GENERATOR	1							
14	2	119620-77461	PULLEY, GENERATOR	1							
15	2	119620-77471	NUT	1							
16	2	119620-77490	COLLAR	1							
17	2	119620-77710	REGULATOR ASSY	1							
18	2	129052-79260	HOLDER	1							
19	2	129052-79270	HOLDER, BRUSH	1							
20	2	119620-79290	SCREW	6							
21	2	119620-79300	SCREW	1							
22	2	119620-79310	BOLT	3							
23	2	119620-79320	SCREW	2							
24	2	119620-79330	BOLT	2							
25	2	119620-79340	BUSH, INSULATION	1							
26	2	119620-79350	NUT	2							
27	1	26306-100002	NUT, M10	1							
28	1	119940-77270	SPACER	1							
29	1	119802-77330	ADJUSTER, BELT	1							
30	1	129972-77341	BOLT, ADJUST L=50	1							
31	1	26106-080452	BOLT, M8X 45 PLATED	1							



Remarks
* This item is applicable to #E23923 or previous machines(Refer to Fig.22).

N:Old $\frac{100}{100}$ New, Q:Old $\frac{100}{100}$ New, R:Old $\frac{100}{100}$ New, S:Old $\frac{100}{100}$ New, W:Add, Z:Discontinued, F:Interchangeable by set, K:Qty Change
Copyright (C) 2016 YANMAR GLOBAL CS CO., LTD. All Rights Reserved.

Fig.22. GENERATOR(18A)



(A)=4TNV86CHT-MAW
(B)=
(C)=

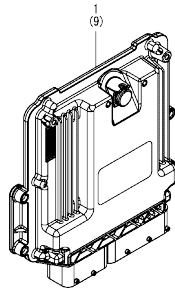
(D)=
(E)=
(F)=

No.	Lev.	Parts No.	Description	Q'ty					
				(A)	(B)	(C)	(D)	(E)	(F)
1	1	129908-77200	ALTERNATOR, 12V	1					
2	2	129908-77710	BEARING, BALL FR	1					
3	2	129908-77720	ROTOR	1					
4	2	129908-77730	BEARING, BALL RR	1					
5	2	129908-77740	RECTIFIER	1					
6	2	129908-77750	REGULATOR	1					
7	2	129908-77760	STATOR	1					
8	2	129908-77770	PROTECTOR	1					
9	1	129908-77220	BOLT, STOPPER M10	1					
10	1	129A20-77350	PIECE, DISTANCE	1					
11	1	26306-100002	NUT, M10	1					
12	1	119810-77340	BOLT, ADJUSTER L=30	1					
13	1	129688-77340	ADJUSTER, BELT	1					

Remarks

* This item is applicable to #E23924 or following machines(Refer to Fig.18).

Fig.19. ELECTRONIC CONTROL UNIT(ECU)



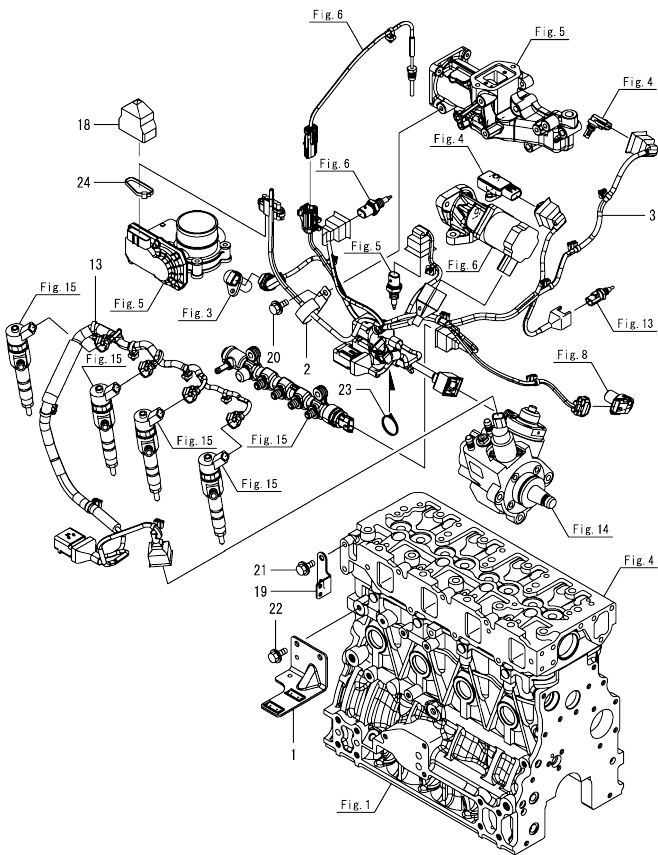
(A)=4TNV86CHT-MAW
(B)=
(C)=

(D)=
(E)=
(F)=

No.	Lev.	Parts No.	Description	Q'ty						I	R	
				(A)	(B)	(C)	(D)	(E)	(F)			
1	1	129C35-75030	ECU ASSY,486CHT-MAW	1							1	
9	1	129A00-75910	ECU ASSY,SERVICE YMR	1								2

Remarks
 (1)Eco ECU
 This part cannot be ordered.
 Replace the part using a Service ECU with the proper engine information installed.
 (2)Service ECU
 When replacing this part, it is necessary to update the software of the ECU using the designated service tool.
 Please refer to the Service Manual for details.

Fig.20. ELECTRIC PARTS

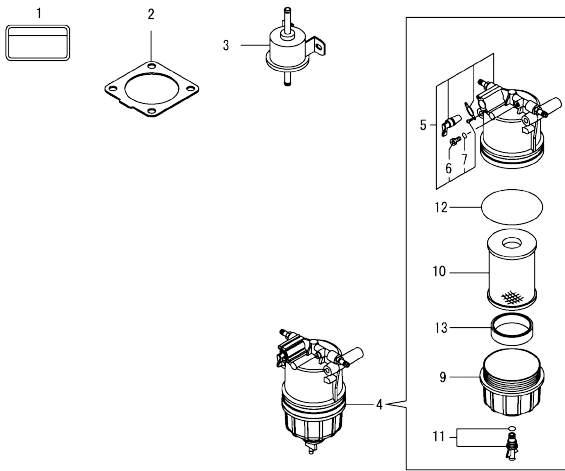


(A)=4TNV86CHT-MAW
(B)=
(C)=

(D)=
(E)=
(F)=

No.	Lev.	Parts No.	Description	Q'ty						
				(A)	(B)	(C)	(D)	(E)	(F)	
1	1	129A00-77930	BRACKET,CONNECTOR	1						
2	1	129928-79700	CLAMP, 150-M8	1						
3	1	129C01-91222	HARNESS,B ECO ENGINE	1						
13	1	129C00-91232	HARNESS C,ECO ENGINE	1						
18	1	129A00-91451	BOOT,CAP TYPE	1						
19	1	129A00-91600	BRACKET, HARNESS	1						
20	1	26106-080122	BOLT, M8X 12 PLATED	1						
21	1	26106-080122	BOLT, M8X 12 PLATED	2						
22	1	26106-080122	BOLT, M8X 12 PLATED	2						
23	1	29621-100000	BAND, TR100	1						
24	1	29621-200000	BAND	1						

Fig.21. ACCESSORY



(A)=4TNV86CHT-MAW
(B)=
(C)=

(D)=
(E)=
(F)=

No.	Lev.	Parts No.	Description	Q'ty					
				(A)	(B)	(C)	(D)	(E)	(F)
1	1	114110-07761	LABEL, FUEL OIL CAUT	1					
2	1	129930-13201	GASKET, SILENCER	1					
3	1	129612-52100	PUMP, FUEL FEED	1					
4	1	129A00-55700	FILTER, FUEL OIL	1					
5	2	129A00-55710	BODY ASSY	1					
6	3	129A00-55750	PLUG,BREATHER	1					
7	3	129A00-55760	O-RING	1					
9	2	129A00-55720	CUP(CLEAR	1					
10	2	129A00-55730	ELEMENT	1					
11	2	129242-55740	PLUG, DRAIN	1					
12	2	129A00-55740	O-RING	1					
13	2	129A00-55770	FLOAT	1					

Parts No. Index

Parts No.	Fig. No.	Ref. No.
114110-07761	21	1
114270-59010	16	18
		23
119131-18320	9	3
119609-32040	2	5
119620-01750	3	3
119620-77461	18	14
119620-77471	18	15
119620-77490	18	16
119620-77710	18	17
119620-79200	18	8
119620-79210	18	9
119620-79220	18	10
119620-79230	18	11
119620-79250	18	6
119620-79290	18	20
119620-79300	18	21
119620-79310	18	22
119620-79320	18	23
119620-79330	18	24
119620-79340	18	25
119620-79350	18	26
119624-32040	2	6
119640-01640	3	8
119640-61400	4	55
119761-39450	12	1
119802-11260	4	4
119802-11270	4	5
119802-21660	10	8
119802-25071	8	28
119802-77330	18	29
119803-21200	10	4
119803-77830	4	83
119810-77340	22	12
119865-21600	10	14
119934-01800	2	11
119940-77270	18	28
120130-11860	4	86
120270-54410	4	32
121111-21501	10	11
121252-39150	12	3
121267-44760	13	25
121450-42450	13	32
121520-34810	11	16
121550-23200	10	28
121750-59890	16	9
121850-21680	10	10
122780-59100	15	11
123501-79240	18	5
123900-13130	6	21

Parts No.	Fig. No.	Ref. No.
123907-03100	4	42
123907-03110	4	43
123907-03120	4	44
123907-03140	4	45
123912-33050	11	21
124060-01050	1	11
124160-01751	2	3
	4	37
124160-01910	1	12
		13
124160-11360	4	38
124160-39140	12	2
124223-39900	12	5
124240-01871	2	12
124395-49840	13	17
124460-11340	4	26
124465-44950	13	34
128300-13230	7	1
128401-77440	18	12
128401-77450	18	13
129001-01250	1	4
129001-02931	1	29
129004-03010	4	40
129004-11650	4	7
129004-34802	11	15
129004-42040	13	15
129005-11100	4	22
129006-44480	11	29
129008-77800	4	84
129009-11340	4	49
129044-39610	12	9
129044-42290	13	24
129052-77220	18	2
129052-77380	18	4
129052-77422	18	7
129052-79260	18	18
129052-79270	18	19
129100-01580	2	2
	3	1
		15
	10	2
129100-01640	3	16
129100-11130	4	24
129100-23910	10	31
129100-42051	13	3
129100-42121	13	4
129103-49301	13	9
129136-77011	17	1
129136-77310	17	2
129136-77520	17	14

Parts No.	Fig. No.	Ref. No.
129150-01200	1	27
129150-02020	1	6
129150-02450	8	4
129150-02871	1	32
129150-02931	1	24
129150-02941	1	35
129150-03070	4	41
129150-11230	4	8
129150-11280	4	6
129150-11370	4	12
129150-11750	4	10
129150-11810	4	87
129150-14200	8	1
129150-14400	8	2
129150-23601	10	29
129150-23611	10	32
129150-35042	11	17
129150-35111	11	27
129150-35153	11	41
129150-49811	13	28
129202-22300	10	22
129242-55740	21	11
129350-49530	13	29
129400-01730	3	6
129400-77490	17	12
129400-77571	17	18
129403-42380	13	23
129410-03990	4	67
129417-33111	11	23
129418-18320	6	7
		19
129436-35070	11	18
129457-49801	13	27
129466-49300	12	11
129486-01670	3	19
129486-32020	11	13
129486-42021	13	14
129486-42140	13	16
129508-18080	9	2
129508-18090	6	24
129509-21000	10	1
129553-39650	12	21
129556-42350	13	23
129601-11241	4	1
129601-11251	4	2
129608-49090	11	37
129612-52100	21	3
129648-35100	11	24
129648-35150	11	26
129677-59501	16	10

Parts No.	Fig. No.	Ref. No.
129688-01780	3	7
129688-77340	22	13
129792-39410	12	15
129795-01780	3	18
129795-01900	18	1
129795-01950	2	4
129795-02412	1	9
129795-11120	4	23
129795-11180	4	25
129795-21661	10	9
129795-49551	13	30
129900-77400	17	3
129900-77440	17	6
129900-77450	17	7
129900-77460	17	9
129900-77480	17	10
129900-77500	17	11
129900-77640	17	19
129908-33010	11	20
129908-77200	22	1
129908-77220	22	9
129908-77710	22	2
129908-77720	22	3
129908-77730	22	4
129908-77740	22	5
129908-77750	22	6
129908-77760	22	7
129908-77770	22	8
129916-49740	13	11
129927-13810	6	28
129927-44900	13	33
129928-49420	13	10
		36
129928-79700	20	2
129930-13201	21	2
129960-03990	13	39
		42
		45
129972-77341	18	30
129978-11871	4	30
129978-12700	4	50
129978-17700	7	34
129A00-01500	2	1
129A00-01550	2	9
129A00-01602	3	2
129A00-11330	4	48
129A00-11340	4	27
129A00-11900	4	31
129A00-12711	4	69
129A00-12720	5	5

Parts No. Index

Parts No.	Fig. No.	Ref. No.	Parts No.	Fig. No.	Ref. No.	Parts No.	Fig. No.	Ref. No.	Parts No.	Fig. No.	Ref. No.
129A00-12780	4	51	129A00-55710	21	5	129C00-13901	6	31	129E00-16600	7	14
129A00-12790	4	70	129A00-55720	21	9	129C00-13940	7	6	129E00-17310	7	26
129A00-12810	5	7	129A00-55730	21	10	129C00-13950	7	7	129E00-17360	7	27
129A00-12820	5	22	129A00-55740	21	12	129C00-14580	8	3	129F01-13600	6	15
129A00-12900	5	23	129A00-55750	21	6	129C00-49610	13	41	129F01-13630	6	4
129A00-12910	5	24	129A00-55760	21	7	129C00-49620	13	44	129F01-13650	6	23
129A00-13300	6	8	129A00-55770	21	13	129C00-57000	15	6	171008-03990	11	31
129A00-13350	6	10	129A00-55800	16	3	129C00-59030	16	17			35
	7	24	129A00-57100	15	7	129C00-59810	15	15	171008-77450	17	8
129A00-13360	4	52	129A00-57200	15	8	129C00-59820	15	17	171008-77510	17	13
129A00-13380	4	54	129A00-57210	15	9	129C00-77820	4	85	171008-77540	17	15
129A00-13400	6	13	129A00-59010	16	5	129C00-91200	7	39	171008-77650	17	20
129A00-13410	6	14	129A00-59020	16	13	129C00-91232	20	13	171008-77660	17	24
129A00-13710	5	16	129A00-59040	16	22	129C01-01331	1	28	171008-77670	17	25
129A00-13720	5	17	129A00-59110	5	11	129C01-01560	1	1	171008-77750	17	31
129A00-13751	6	26	129A00-59120	5	12	129C01-03060	4	62	171051-01921	1	5
129A00-13851	6	17	129A00-59700	15	13	129C01-03130	4	63	171056-49120	11	40
129A00-13861	6	18	129A00-59820	15	16	129C01-07900	4	81	22190-08002	2	13
129A00-13910	6	32	129A00-59830	15	18	129C01-11360	4	39	22190-10002	12	6
129A00-13920	6	33	129A00-75910	19	9	129C01-11700	4	13	22190-12002	13	35
129A00-14100	8	6	129A00-77930	20	1	129C01-12060	4	68	22190-14002	5	13
129A00-14700	8	8	129A00-91200	6	6	129C01-12100	5	3	22190-22002	3	10
129A00-14710	8	11		7	38	129C01-12150	5	2	22217-180000	8	19
129A00-16610	7	15		16	21	129C01-13110	6	2	22252-000260	10	23
129A00-17311	7	25	129A00-91430	7	40	129C01-13360	6	22	22351-030010	10	7
129A00-17520	7	30	129A00-91451	20	18	129C01-13700	5	10		12	22
129A00-17570	7	32	129A00-91600	20	19	129C01-13770	6	5	22351-060012	4	33
129A00-17580	7	33	129A01-07900	4	73	129C01-16410	7	11	22512-070140	8	7
129A00-17780	7	35	129A01-12800	5	9	129C01-16550	7	13		10	5
129A00-21710	3	21	129A01-12851	5	8	129C01-16680	7	16	22857-500100	4	56
129A00-25050	8	13	129A01-13601	6	3	129C01-16700	7	17			57
129A00-25060	8	21	129A01-16810	4	74	129C01-16721	7	18			58
129A00-25080	8	29	129A01-22080	10	16	129C01-16740	7	19	22857-500160	5	14
129A00-25110	8	14	129A01-22500	10	18	129C01-16750	7	20	23000-022000	12	12
129A00-25120	8	22	129A01-22900	10	34	129C01-16811	7	2	23000-060000	4	71
129A00-25200	8	25	129A01-22950	10	36	129C01-16820	7	3	23080-007000	16	12
129A00-25210	8	26	129A01-32000	11	1	129C01-16830	7	4	23080-015000	16	8
129A00-25900	8	18	129A01-42000	13	1	129C01-17510	7	29			16
129A00-49610	13	37	129A01-49030	11	30	129C01-18010	9	1	23297-080061	6	9
129A00-51000	14	1	129A01-49040	11	34	129C01-33100	11	22	23414-080000	13	18
129A00-51100	14	2	129A01-53100	15	1	129C01-39450	12	4	23414-100000	12	7
129A00-51110	14	3	129A01-55650	4	75	129C01-39610	12	10	23414-120000	6	11
129A00-51120	14	4	129A20-77350	22	10	129C01-91222	20	3	23876-010000	13	12
129A00-51130	14	5	129A23-01500	2	1 -1	129C23-49700	13	48	24311-000120	4	60
129A00-51200	14	6	129C00-11310	4	47	129C33-16200	7	9	24311-000320	2	7
129A00-51900	14	7	129C00-12110	5	1	129C34-21580	10	12		4	61
129A00-53200	15	4	129C00-13110	6	1	129C35-16000	7	8	24316-000160	12	13
129A00-55600	16	1	129C00-13800	6	27	129C35-21310	10	8 -1	24321-000600	11	38
129A00-55610	16	2	129C00-13860	7	6 -1	129C35-75030	19	1	25152-004100	13	24 -1
129A00-55700	21	4	129C00-13870	7	7 -1	129E00-13620	6	16	26106-060102	8	9

Parts No. Index

Parts No.	Fig. No.	Ref. No.	
26106-060122	6	12	
	12	14	
	4	72	
26106-060162	7	36	
	5	25	
26106-060202	5	25	
26106-060302	13	26	
26106-060322	17	29	
26106-060402	5	26	
	17	30	
26106-060902	5	27	
26106-080122	12	8	
	13	19	
	20	20	
		21	
		22	
26106-080142	7	21	
	8	10	
26106-080162	2	8	
		14	
	3	11	
	13	20	
		49	
26106-080202	4	76	
		77	
		82	
	7	37	
		41	
		42	
		43	
	11	39	
	26106-080222	13	31
	26106-080252	3	12
4		34	
	78		
	6	29	
26106-080302	15	10	
	4	79	
26106-080352	14	8	
	16	4	
	2	15	
26106-080402	3	20	
	4	35	
	2	16	
26106-080452	8	27	
	3	13	
	8	17	
26106-080502	13	21	
	18	31	
	3	14	
	4	36	

Parts No.	Fig. No.	Ref. No.
26106-080502	5	6
		18
	6	20
26106-080552	11	19
26106-080602	2	17
	13	22
26106-080752	5	19
26106-080852	2	18
26106-100202	7	44
		45
26106-120252	17	32
26206-100252	3	4
26206-100302	3	5
26216-060202	5	4
26216-080352	5	15
26216-081052	5	20
26226-080182	4	11
26306-080002	4	80
	5	21
	6	25
		30
		34
	7	22
		46
		47
	9	4
26306-100002	7	48
		49
	18	27
	22	11
26366-060002	15	19
26450-060162	3	22
	4	59
	8	12
26450-060252	11	14
26577-060142	13	13
26776-180002	8	20
27241-120000	1	14
27241-300000	1	10
27241-400000	4	21
27310-080001	4	28
29621-100000	20	23
29621-200000	20	24
729402-23100	10	24
X2114255110	17	5
X2114555500	17	21
X2114955020	17	22
X2130350900	17	4
X2240410100	17	23
X9490561001	18	3

Parts No.	Fig. No.	Ref. No.
-----------	----------	----------

Parts No.	Fig. No.	Ref. No.
-----------	----------	----------