

0CD50-M03660EN

P R E F A C E

This parts catalog is the 1st edition of 3TNM72-CAJ for Jianghuaidongli.

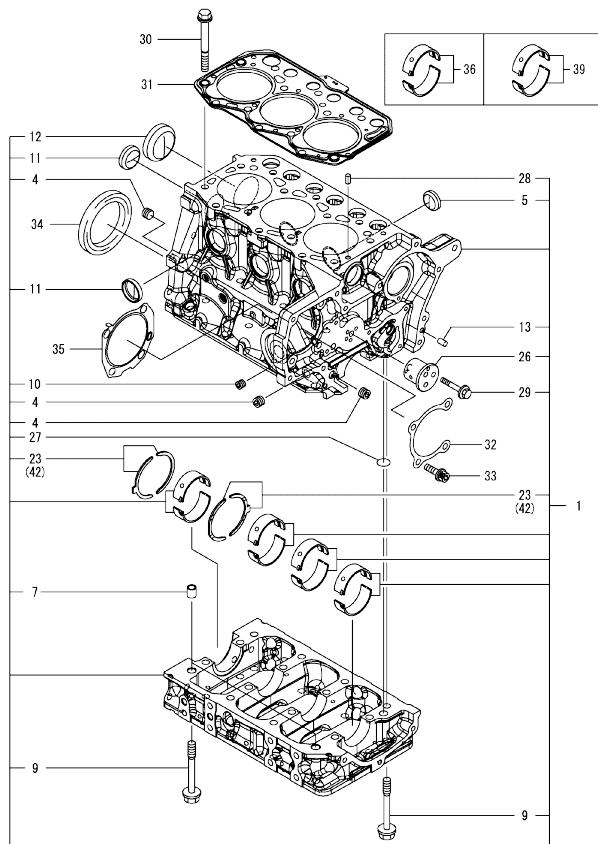
Published : January, 2018

Contents

OCD50-M03660

Fig. No.	Fig. Name	Fig. No.	Fig. Name
ENGINE			
1.	CYLINDER BLOCK		
2.	GEAR HOUSING		
3.	MOUNTING FLANGE & OIL SUMP		
4.	CYLINDER HEAD & BONNET		
5.	EXHAUST MANIFOLD		
6.	CAMSHAFT & DRIVING GEAR		
7.	CRANKSHAFT & PISTON		
8.	LUB. OIL SYSTEM		
9.	COOLING WATER SYSTEM		
10.	FUEL INJECTION PUMP		
11.	GOVERNOR		
12.	FUEL INJECTION VALVE		
13.	FUEL FILTER		
14.	STARTER MOTOR		
15.	GENERATOR		
16.	ACCESSORY		

Fig.1. CYLINDER BLOCK



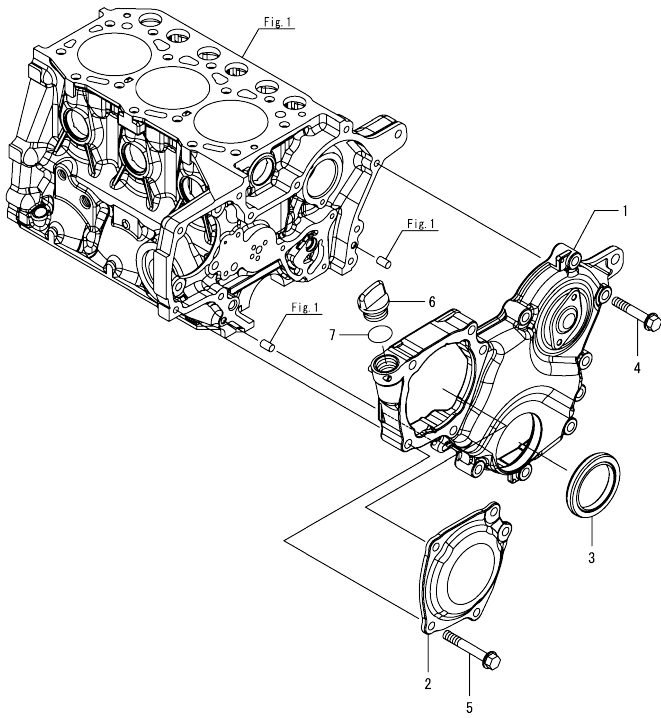
(A)=3TNM72-CAJ
(B)=
(C)=

(D)=
(E)=
(F)=

No.	Lev.	Parts No.	Description	Q'ty						I	R
				(A)	(B)	(C)	(D)	(E)	(F)		
1	1	119027-01560	BLOCK ASSY, CYLINDER	1							
4	2	124060-01050	PLUG, PT1/8	3							
5	2	119125-01970	PLUG, 25	3							
7	2	119125-01960	PIPE, KNOCK L=12	2							
9	2	119125-02061	BOLT, METAL CAP	16							
10	2	23876-005000	PLUG, R005	1							
11	2	27241-300000	PLUG 30	4							
12	2	27241-450000	PLUG, 45	1							
13	2	119620-01620	PIN, PARALLEL M6X10	2							
23	2	119125-02930	METAL ASSY, THRUST	2							
26	2	119125-25050	SHAFT, IDLE GEAR	1							
27	2	129900-32040	O-RING, P14	1							
28	2	22351-060012	PIN, SPRING 6.0X12	2							
29	2	26106-060402	BOLT, M6X 40 PLATED	3							
30	1	119515-01200	BOLT, CYLINDER HEAD	14							
31	1	119025-01332	GASKET, HEAD	1							
32	1	119125-01790	GASKET, PUMP	1							
33	1	119125-01800	BOLT, FLANGE M8X25	4							
34	1	119734-02220	SEAL, OIL WHEEL SIDE	1							
35	1	119125-51800	GASKET, FUEL PUMP	1							
36	1	119125-02900	METAL ASSY, MAIN	4							1
39	1	119125-02910	METAL ASSY, MAIN .25	4							2
42	1	119125-02940	METAL ASSY, 0.25 OS	2							3

Remarks
(1)Spare parts.
(2)Under-sized(U.S.=0.25) parts.
(3)Over-sized(O.S.=0.25) parts.

Fig.2. GEAR HOUSING



(A)=3TNM72-CAJ
(B)=
(C)=

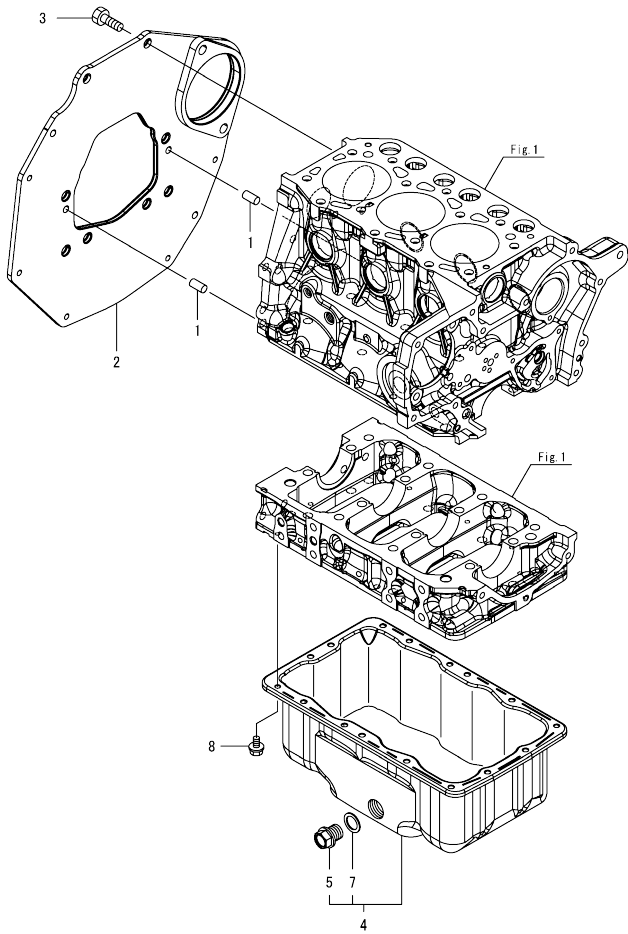
(D)=
(E)=
(F)=

No.	Lev.	Parts No.	Description	Q'ty						I	R
				(A)	(B)	(C)	(D)	(E)	(F)		
1	1	119025-01500	CASE, GEAR	1							
2	1	119125-01750	COVER, PUMP	1							
3	1	119717-01800	SEAL, OIL	1							
4	1	26106-080352	BOLT, M8X 35 PLATED	8							
5	1	26106-080452	BOLT, M8X 45 PLATED	5							
6	1	106760-01770	CAP, OIL SUPPLY	1							
7	1	24311-000180	O-RING, 1AP18.0	1							

Fig.3. MOUNTING FLANGE & OIL SUMP

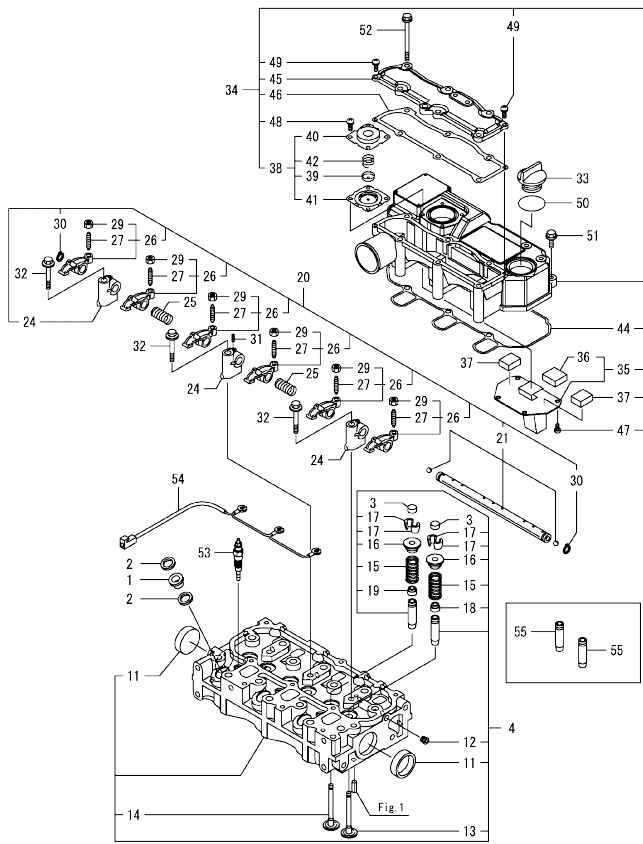
(A)=3TNM72-CAJ
(B)=
(C)=

(D)=
(E)=
(F)=



No.	Lev.	Parts No.	Description	Q'ty						I	R
				(A)	(B)	(C)	(D)	(E)	(F)		
1	1	129100-01580	PIN, PARALLEL 8X16		2						
2	1	119D00-01660	FLANGE, MOUNTING		1						
3	1	26206-100202	BOLT, M10X 20 PLATED		8						
4	1	119025-01770	OIL PAN ASSY		1						
5	2	105425-01690	PLUG, DRAIN M16		1						
7	2	22190-160002	WASHER, SEAL 16		1						
8	1	119125-01780	BOLT, TORX M6X10		16						

Fig.4. CYLINDER HEAD & BONNET



(A)=3TNM72-CAJ
(B)=
(C)=

(D)=
(E)=
(F)=

No.	Lev.	Parts No.	Description	Q'ty						I	R
				(A)	(B)	(C)	(D)	(E)	(F)		
1	1	129901-11450	PROTECTOR, NOZZLE	3							
2	1	119600-11460	GASKET, NOZZLE	6							
3	1	105010-11490	CAP, VALVE	6							
4	1	119517-11740	HEAD ASSY, CYLINDER	1							
11	2	119285-11990	PLUG, 35	2							
12	2	23876-005000	PLUG, R005	1							
13	2	119515-11101	VALVE, INTAKE	3							
14	2	119515-11110	VALVE, EXHAUST	3							
15	2	119717-11131	SPRING, VALVE	6							
16	2	129508-11180	RETAINER, SPRING	6							
17	2	119717-11190	COTTER, VALVE	12							
18	2	119717-11340	SEAL, VALVE STEM	3							
19	2	119717-11350	SEAL, VALVE STEM	3							
20	1	119515-11200	SUPPORT ASSY, ROCKER	1							
21	2	119515-11240	SHAFT ASSY, ARM	1							
24	2	119717-11260	SUPPORT, ROCKER ARM	3							
25	2	119515-11280	SPRING, SHAFT	2							
26	2	119717-11650	ARM ASSY, ROCKER INT	6							
27	3	129150-11230	SCREW, VALVE ADJUST	6							
29	3	129150-11750	NUT, M8XP1.0	6							
30	2	22242-000120	RING, 12	2							
31	2	26979-050162	SCREW, M5X16	1							
32	1	26106-080402	BOLT, M8X 40 PLATED	3							
33	1	124160-01751	CAP, FILLER	1							
34	1	119515-11380	BONNET ASSY, HEAD	1							
35	2	119717-03031	PLATE, BAFFLE	1							
36	3	119717-03070	BAFFLE, BREATHER	1							
37	2	119717-03070	BAFFLE, BREATHER	2							
38	2	119802-03100	DIAPHRAGM ASSY	1							
39	3	119802-03110	PLATE, DIAPHRAGM	1							
40	3	119802-03121	COVER, DIAPHRAGM	1							
41	3	119802-03131	DIAPHRAGM, BREATHER	1							
42	3	119802-03141	SPRING, DIAPHRAGM	1							
44	2	119515-11310	GASKET, BONNET	1							
45	2	119515-11320	COVER, BONNET	1							
46	2	119515-11330	GASKET, BONNET COVER	1							
47	2	22857-500100	SCREW, 5X10	4							
48	2	22857-500100	SCREW, 5X10	4							
49	2	22857-500160	SCREW, 5X16	2							
50	1	24311-000320	O-RING, 1AP32.0	1							
51	1	26106-060202	BOLT, M6X 20 PLATED	3							
52	1	26106-060752	BOLT, M6X 75 PLATED	6							
53	1	119125-77800	PLUG, GLOW	3							
54	1	119125-77820	CONNECTOR, GLOW PLUG	1							
55	1	119515-11800	GUIDE, VALVE	6							1

Remarks
(1)Spare parts.

Fig.5. EXHAUST MANIFOLD

(A)=3TNM72-CAJ
(B)=
(C)=

(D)=
(E)=
(F)=

No.	Lev.	Parts No.	Description	Q'ty					
				(A)	(B)	(C)	(D)	(E)	(F)
1	1	119718-13100	MANIFOLD, EXHAUST	1					
2	1	119717-13110	GASKET, MANIFOLD	1					
3	1	119717-13600	STUD, M8X50	2					
4	1	129E00-13610	BOLT, M8X50 10.9	4					
5	1	119131-18320	STUD, M8X22	4					
6	1	26306-080002	NUT, M8	2					

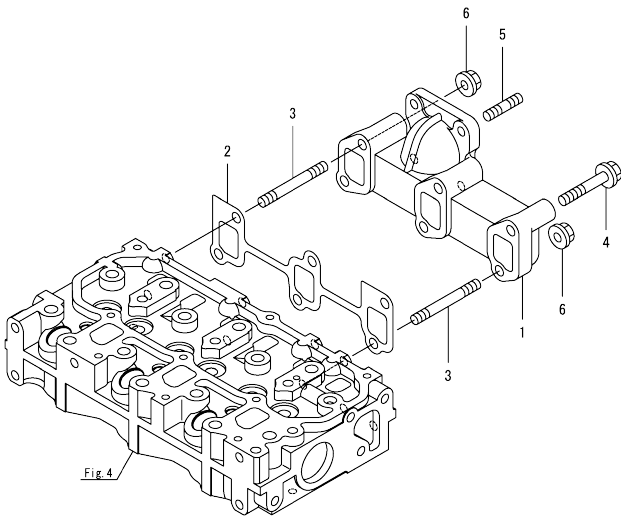
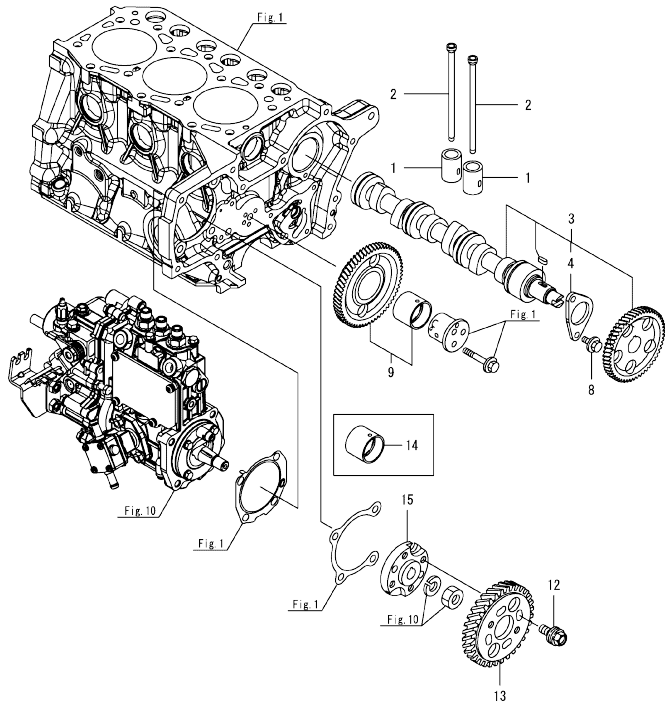


Fig.4

Fig.6. CAMSHAFT & DRIVING GEAR



(A)=3TNM72-CAJ
(B)=
(C)=

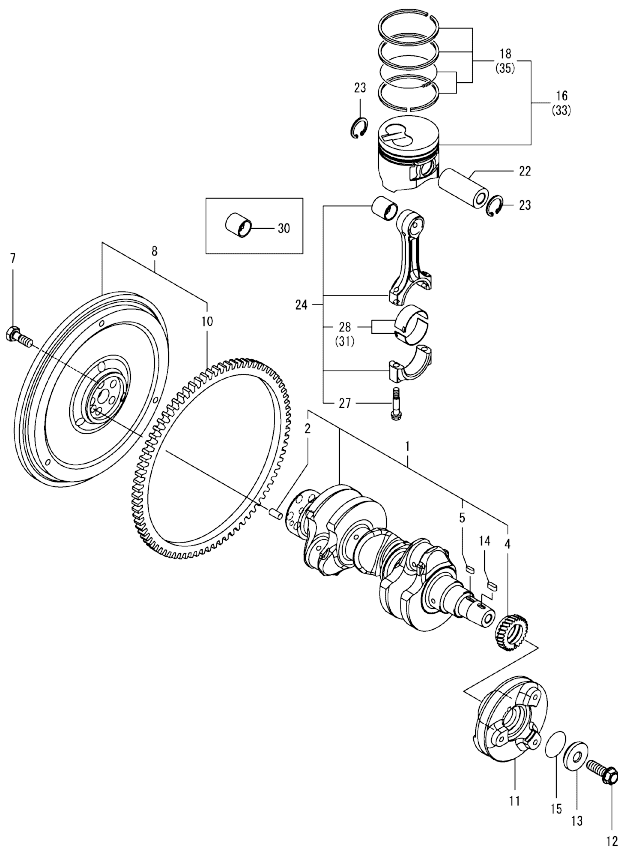
(D)=
(E)=
(F)=

No.	Lev.	Parts No.	Description	Q'ty						I	R
				(A)	(B)	(C)	(D)	(E)	(F)		
1	1	119620-14200	TAPPET	6							
2	1	119515-14400	ROD, PUSH	6							
3	1	119025-14580	CAMSHAFT ASSY	1							
4	2	119620-02450	METAL, CAMSHAFT	1							
8	1	26106-060122	BOLT, M6X 12 PLATED	2							
9	1	119025-25100	GEAR ASSY, IDLE	1							
12	1	129150-25301	BOLT, INJECTION PUMP	4							
13	1	119125-25930	GEAR, PUMP	1							
14	1	119125-25910	BUSH, IDLE GEAR	1							1
15	1	119717-51150	FLANGE, CAMSHAFT	1							

Remarks

(1)Spare parts.

Fig.7. CRANKSHAFT & PISTON



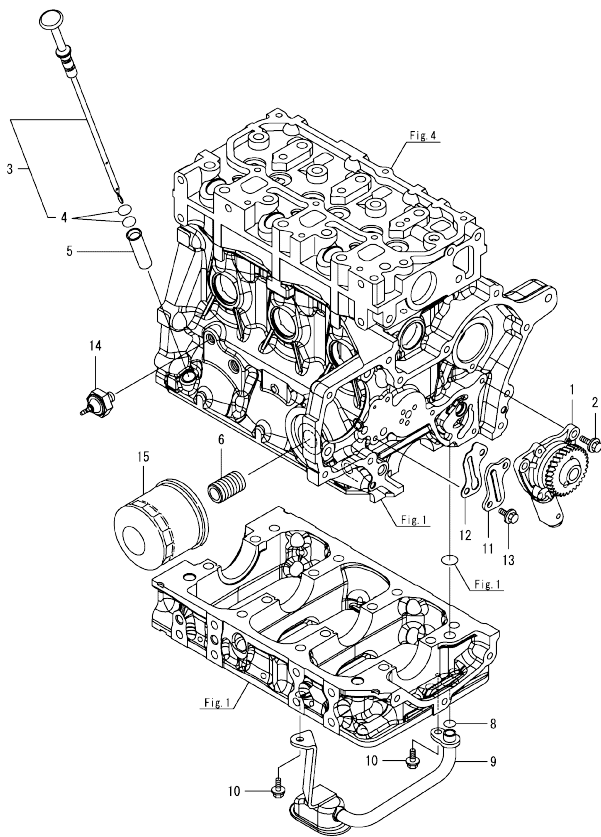
(A)=3TNM72-CAJ
(B)=
(C)=

(D)=
(E)=
(F)=

No.	Lev.	Parts No.	Description	Q'ty						I	R
				(A)	(B)	(C)	(D)	(E)	(F)		
1	1	119025-21700	CRANKSHAFT ASSY	1							
2	2	129100-01580	PIN, PARALLEL 8X16	1							
4	2	119125-21200	GEAR, CRANKSHAFT	1							
5	2	22512-040120	KEY, 4X 12	1							
7	1	119620-21500	BOLT, FLYWHEEL	5							
8	1	119127-21550	FLYWHEEL ASSY	1							
10	2	124060-21600	GEAR, RING Z=105	1							
11	1	119125-21660	V-PULLEY, CRANKSHAFT	1							
12	1	119621-21681	BOLT, FLANGE 12X1.25	1							
13	1	119C10-21940	WASHER, V-PULLEY	1							
14	1	22512-050120	KEY, 5X 12	1							
15	1	119C10-21930	GASKET, WASHER	1							
16	1	119517-22090	PISTON ASSY	3							
18	2	119517-22500	RING SET, PISTON	3							
22	1	119515-22300	PIN, PISTON	3							
23	1	22512-000220	RING, 22	6							
24	1	119515-23000	ROD ASSY, CONNECTING	3							
27	2	119717-23200	BOLT, CONNECTING ROD	6							
28	2	119515-23601	METAL ASSY, CRANK PIN	3							
30	1	119717-23910	METAL, PISTON PIN	3							1
31	1	119515-23611	METAL ASSY, PIN .25	3							2
33	1	119025-22900	PISTON ASSY	3							3
35	2	119609-22950	RING SET, PISTON .25	3							3

Remarks
(1) Spare parts.
(2) Under-sized (U.S.=0.25) parts.
(3) Over-sized (O.S.=0.25) parts.

Fig.8. LUB. OIL SYSTEM



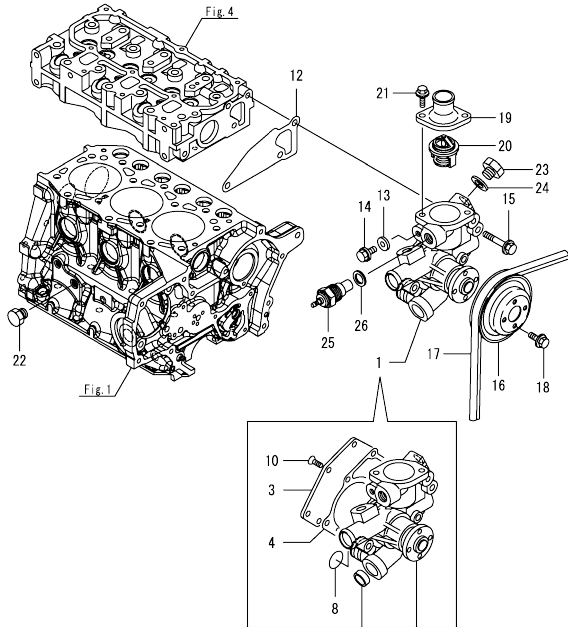
(A)=3TNM72-CAJ
(B)=
(C)=

(D)=
(E)=
(F)=

No.	Lev.	Parts No.	Description	Q'ty						I	R
				(A)	(B)	(C)	(D)	(E)	(F)		
1	1	119125-32000	PUMP ASSY, OIL	1							
2	1	26106-060142	BOLT, M6X 14 PLATED	3							
3	1	119025-34800	DIPSTICK, OIL	1							
4	2	119125-34900	O-RING	2							
5	1	119125-34810	GUIDE, DIPSTICK	1							
6	1	119717-35140	STUD	1							
8	1	119209-35030	O-RING, P11	1							
9	1	119025-35080	PIPE ASSY, OIL INLET	1							
10	1	26106-060102	BOLT, M6X 10 PLATED	2							
11	1	119125-39200	COVER, OIL	1							
12	1	119125-39220	GASKET, OIL PIPE	1							
13	1	26106-060122	BOLT, M6X 12 PLATED	2							
14	1	114250-39450	SWITCH, HYDRAULIC	1							
15	1	119305-35151	FILTER ASSY, D68XL65	1							1

Remarks
(1)Spare parts.

Fig.9. COOLING WATER SYSTEM

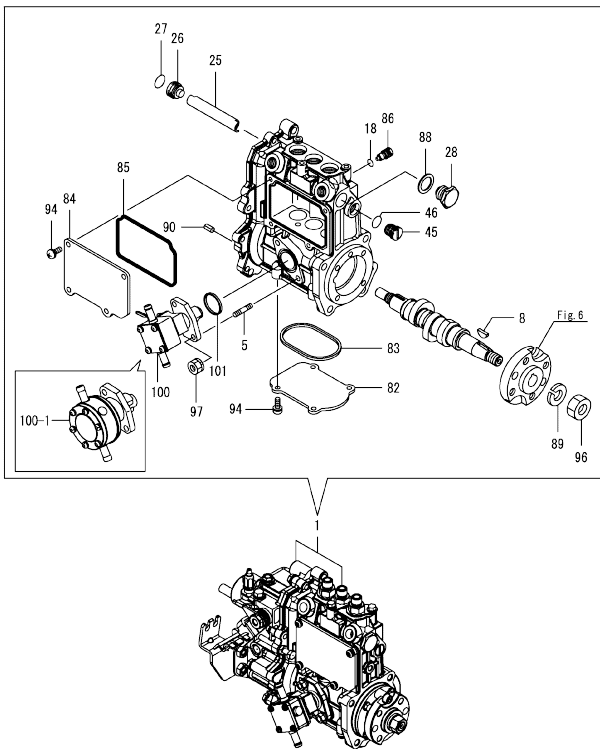


(A)=3TNM72-CAJ
(B)=
(C)=

(D)=
(E)=
(F)=

No.	Lev.	Parts No.	Description	Q'ty						I	R
				(A)	(B)	(C)	(D)	(E)	(F)		
1	1	119025-42000	PUMP ASSY, WATER	1							
3	2	119025-42020	COVER, WATER PUMP	1							
4	2	119025-42030	GASKET, WATER PUMP	1							
8	2	119685-42281	O-RING	1							
10	2	26577-060122	SCREW, M6X12	5							
12	1	119515-42020	GASKET, WATER PUMP	1							
13	1	23414-080000	GASKET, 8X1.0	1							
14	1	26106-080122	BOLT, M8X 12 PLATED	1							
15	1	26106-080452	BOLT, M8X 45 PLATED	3							
16	1	119717-42350	V-PULLEY, PUMP D=100	1							
17	1	119127-42310	V-BELT, A34.5	1							2
18	1	26106-060122	BOLT, M6X 12 PLATED	4							
19	1	129350-49530	COVER, THERMOSTAT	1							
20	1	119734-49801	THERMOSTAT, 71C	1							
21	1	26106-080202	BOLT, M8X 20 PLATED	2							
22	1	171056-49120	PLUG, DRAIN R1/4	1							
23	1	121450-42450	PLUG, M16	1							
24	1	124465-44950	GASKET, 16	1							
25	1	124250-49351	SENSOR, WATER TEMP.	1							
26	1	129150-49360	GASKET, 10	2							

Fig.10. FUEL INJECTION PUMP



(A)=3TNM72-CAJ
(B)=
(C)=

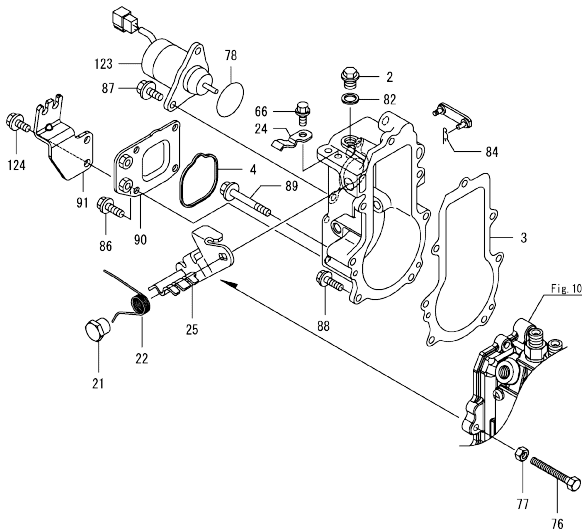
(D)=
(E)=
(F)=

No.	Lev.	Parts No.	Description	Q'ty						I	R
				(A)	(B)	(C)	(D)	(E)	(F)		
1	1	719025-51340	INJECTION PUMP ASSY	1							1
5	2	129155-51020	STUD	2							
8	2	122710-51090	KEY, FEATHER	1							
18	2	129155-51280	O-RING, S6	1							
25	2	129155-51400	PROTECTOR	1							
26	2	158600-51410	PLUG, DEFLIFTER M12	1							
27	2	119717-51420	O-RING	1							
28	2	158600-51420	PLUG, DEFLIFTER M16	1							
45	2	158600-51570	PLUG, RACK	1							
46	2	129155-51580	O-RING	1							
82	2	119125-51700	COVER, PUMP BOTTOM	1							
83	2	119717-51711	GASKET, PUMP	1							
84	2	119717-51750	COVER, BODY SIDE	1							
85	2	119717-51761	GASKET, PUMP COVER	1							
86	2	158600-51790	STOPPER, RACK	1							
88	2	22190-160002	WASHER, SEAL 16	1							
89	2	22217-120000	WASHER, SPRING 12	1							
90	2	22351-050010	PIN, SPRING 5.0X10	2							
94	2	26022-050122	SCREW, M5X12	8							
96	2	26716-120002	NUT, M12	1							
97	2	119717-51860	NUT, M6	2							
100	2	119125-52000	PUMP ASSY, FUEL FEED	1							
100-1	2	129100-52101	PUMP ASSY, FUEL FEED	1							R
(A=2020.06)											
101	2	129155-52051	GASKET, PUMP COVER	1							

Remarks

(1)Governor(Fig.11) is incorporated in this Fuel Injection Pump(No.1).

Fig.11. GOVERNOR



(A)=3TNM72-CAJ
(B)=
(C)=

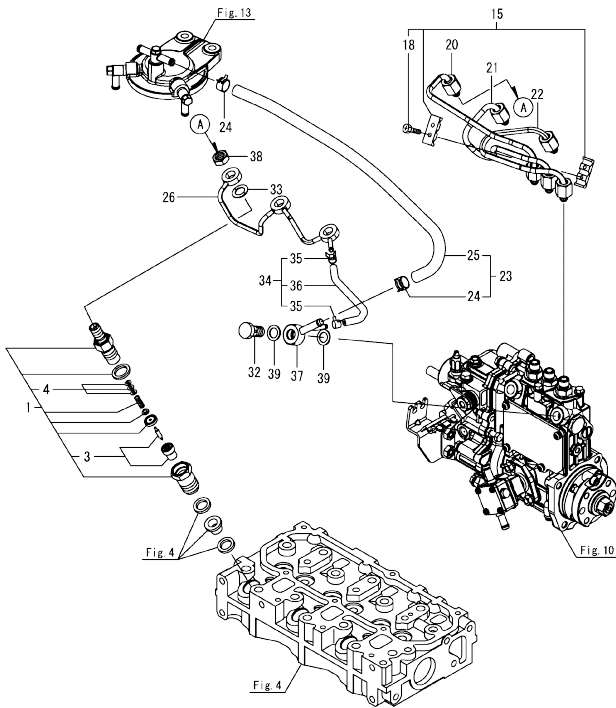
(D)=
(E)=
(F)=

No.	Lev.	Parts No.	Description	Q'ty						I	R
				(A)	(B)	(C)	(D)	(E)	(F)		
2	2	119717-51930	PLUG, M10	1							
3	2	119717-61050	GASKET, CASE	1							
4	2	119717-61070	GASKET, COVER	1							
21	2	129255-61410	NUT, CONTROL LEVER	1							
22	2	119534-61420	SPRING, LEVER	1							
24	2	119534-61430	RETAINER	1							
25	2	119527-61440	LEVER ASSY,REGULATOR	1							
66	2	26106-060102	BOLT, M6X 10 PLATED	1							
76	2	129155-61461	BOLT, IDLE LIMIT	1							
77	2	119740-61470	NUT	1							
78	2	158552-61900	O-RING	1							
82	2	22190-100002	WASHER, SEAL 10	1							
84	2	22372-040000	PIN, SNAP 4	1							
86	2	26106-060102	BOLT, M6X 10 PLATED	4							
87	2	26106-060142	BOLT, M6X 14 PLATED	2							
88	2	26106-060202	BOLT, M6X 20 PLATED	4							
89	2	26106-060452	BOLT, M6X 45 PLATED	3							
90	2	119761-61060	COVER, GOVERNOR CASE	1							
91	2	119734-61080	SUPPORT, WIRE	1							
123	2	129630-77900	SOLENOID, STOP	1							
124	2	26106-060102	BOLT, M6X 10 PLATED	2							

Remarks

* This figure(Governor) is incorporated in the Fuel Injection Pump(Fig.10).

Fig.12. FUEL INJECTION VALVE



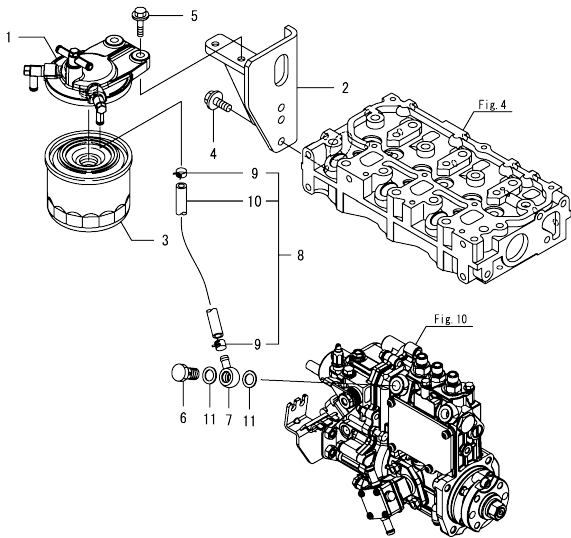
(A)=3TNM72-CAJ
(B)=
(C)=

(D)=
(E)=
(F)=

No.	Lev.	Parts No.	Description	Q'ty						I	R
				(A)	(B)	(C)	(D)	(E)	(F)		
1	1	119515-53001	VALVE ASSY,INJECTION	3							
3	2	119515-53010	VALVE ASSY,INJECTION	3							
4	2	129901-53800	SHIM SET, ADJUSTING	3							1
15	1	129150-59120	RETAINER, PIPE	1							
18	2	129150-59131	BOLT, M4X14	2							
20	1	119025-59810	PIPE, INJECTION NO.1	1							
21	1	119025-59820	PIPE, INJECTION NO.2	1							
22	1	119025-59830	PIPE, INJECTION NO.3	1							
23	1	129210-59150	HOSE ASSY, FUEL L400	1							
24	2	124766-59050	CLAMP, HOSE 11.5	2							
25	2	105025-59530	HOSE, FUEL D13X400	1							
26	1	119515-59540	PIPE ASSY, RETURN	1							
32	1	119125-59560	BOLT, PIPE JOINT	1							
33	1	129901-59560	GASKET, FUEL RETURN	3							
34	1	119125-59570	HOSE ASSY, RETURN	1							
35	2	124066-59100	CLAMP, HOSE 8	2							
36	2	119000-59550	HOSE, FUEL RETURN	1							
37	1	119840-59570	JOINT, OVERFLOW	1							
38	1	119620-59700	NUT, NOZZLE RETURN	3							
39	1	22190-120002	WASHER, SEAL 12	2							

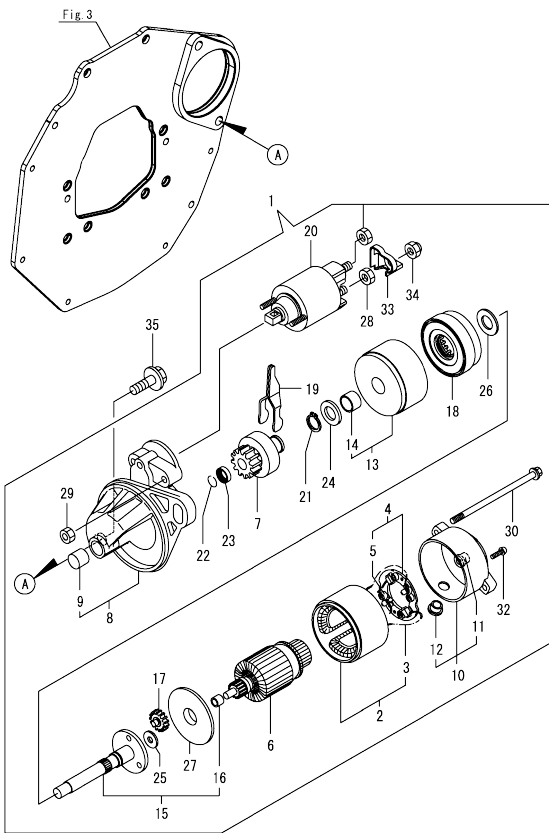
Remarks
(1)Spare parts.

Fig.13. FUEL FILTER



No.	Lev.	Parts No.	Description	Q'ty						I	R
				(A)	(B)	(C)	(D)	(E)	(F)		
1	1	119934-55611	BRACKET, FILTER	1							
2	1	119128-55690	BRACKET, FILTER	1							
3	1	119802-55801	FILTER, FUEL	1							
4	1	26106-080162	BOLT, M8X 16 PLATED	2							
5	1	26106-080252	BOLT, M8X 25 PLATED	2							
6	1	103854-39140	BOLT, PIPE JOINT	1							
7	1	101304-59020	JOINT, PIPE 12	1							
8	1	129210-59050	HOSE ASSY, FUEL L220	1							
9	2	124766-59050	CLAMP, HOSE 11.5	2							
10	2	105312-59510	HOSE, FUEL	1							
11	1	22190-120002	WASHER, SEAL 12	2							

Fig.14. STARTER MOTOR

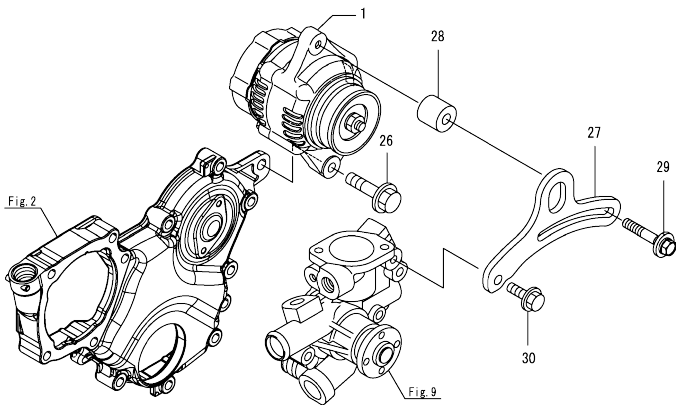
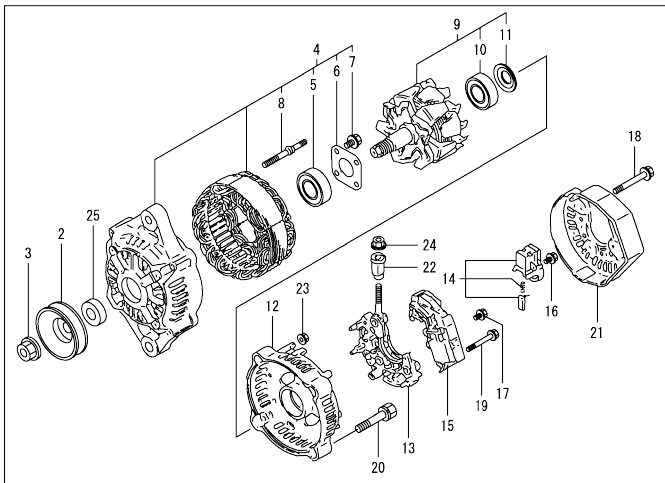


(A)=3TNM72-CAJ
(B)=
(C)=

(D)=
(E)=
(F)=

No.	Lev.	Parts No.	Description	Q'ty						I	R
				(A)	(B)	(C)	(D)	(E)	(F)		
1	1	119515-77010	STARTER, P1.0	1							
2	2	X0281007680	YOKE ASSY	1							
3	3	X0280996180	STARTER KIT	2							
4	2	X0285105190	HOLDER ASSY	1							
5	3	X0285205030	SPRING	4							
6	2	X0282005871	ARMATURE ASSY	1							
7	2	X0283006960	CLUTCH	1							
8	2	X4284001590	HOUSING ASSY	1							
9	3	X9491050100	BEARING, NEEDLE	1							
10	2	X0285007030	FRAME ASSY	1							
11	3	X9491040990	BEARING	1							
12	3	X0280626010	COVER	1							
13	2	X0284105040	BEARING ASSY, SUB	1							
14	3	X9491034330	BEARING	1							
15	2	X0286105010	SHAFT ASSY, SUB	1							
16	3	X9491034320	BEARING	1							
17	2	X0286305010	GEAR	3							
18	2	X0286355010	GEAR	1							
19	2	X0287405140	LEVER	1							
20	2	X0534007800	SWITCH ASSY	1							
21	2	X9055715000	RING	1							
22	2	X9490721360	RING	1							
23	2	X0280210331	NUT	1							
24	2	X9490138110	WASHER	1							
25	2	X9490138090	WASHER	1							
26	2	X9490138100	WASHER	1							
27	2	X0284525010	PLATE	1							
28	2	X9490562360	NUT	1							
29	2	X9490560750	NUT	2							
30	2	X9490423520	BOLT, THROUGH	2							
32	2	X9490065670	SCREW, M4X6	2							
33	2	X0280335360	COVER, TERMINAL	1							
34	2	X1289510130	NUT	1							
35	1	26106-100302	BOLT, M10X 30 PLATED	2							

Fig.15. GENERATOR

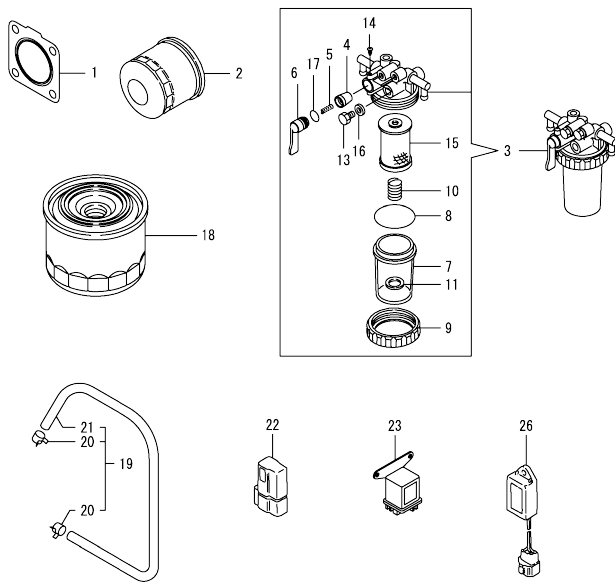


(A)=3TNM72-CAJ
(B)=
(C)=

(D)=
(E)=
(F)=

No.	Lev.	Parts No.	Description	Q'ty						I	R
				(A)	(B)	(C)	(D)	(E)	(F)		
1	1	119626-77220	ALTERNATOR, 12V-55A	1							
2	2	119620-77461	PULLEY, GENERATOR	1							
3	2	119620-77471	NUT	1							
4	2	129052-77422	FRAME ASSY	1							
5	3	119620-79200	BEARING, BALL	1							
6	3	119620-79210	PLATE, RETAINER	1							
7	3	119620-79220	SCREW	4							
8	3	119620-79230	STUD	2							
9	2	129052-77380	ROTOR ASSY	1							
10	3	123501-79240	BEARING, BALL	1							
11	3	119620-79250	COVER, BEARING	1							
12	2	128401-77440	COVER, END	1							
13	2	129052-79260	HOLDER ASSY	1							
14	2	129052-79270	HOLDER ASSY, BRUSH	1							
15	2	129423-77720	REGULATOR ASSY	1							
16	2	119620-79290	SCREW	6							
17	2	119620-79300	SCREW	1							
18	2	119620-79310	BOLT	3							
19	2	119620-79320	SCREW, W/WASHER	2							
20	2	119620-79330	BOLT	2							
21	2	119626-77450	COVER, END	1							
22	2	119620-79340	BUSH, INSULATION	1							
23	2	119620-79350	NUT	2							
24	2	X9490561001	NUT	1							
25	2	119620-77490	COLLAR	1							
26	1	26106-100452	BOLT, M10X 45 PLATED	1							
27	1	119125-77320	ADJUSTER, BELT	1							
28	1	124732-77340	SPACER, ADJUSTER	1							
29	1	129972-77341	BOLT, ADJUSTER L=50	1							
30	1	26106-080202	BOLT, M8X 20 PLATED	1							

Fig.16. ACCESSORY



(A)=3TNM72-CAJ
(B)=
(C)=

(D)=
(E)=
(F)=

No.	Lev.	Parts No.	Description	Q'ty						I	R
				(A)	(B)	(C)	(D)	(E)	(F)		
1	1	119515-13200	GASKET, SILENCER	1							
2	1	119305-35151	FILTER ASSY, D68XL65	1							
3	1	129335-55701	SEPARATOR ASSY,WATER	1							
4	2	104200-55321	VALVE, TAPER	1							
5	2	104200-55330	SPRING, FUEL VALVE	1							
6	2	104200-55341	HANDLE, COCK	1							
7	2	124064-55510	CUP, FUEL STARINER	1							
8	2	102103-55520	O-RING, FILTER	1							
9	2	110250-55610	RING, CUP RETAINING	1							
10	2	121257-55720	SPRING, ELEMENT	1							
11	2	121257-55731	FLOAT	1							
13	2	101720-55750	PLUG, HEXAGON M6	2							
14	2	104200-55750	SCREW, M4	1							
15	2	171081-55910	FILTER, FUEL 100M	1							
16	2	23418-060000	GASKET, 6X1.0	2							
17	2	24311-240100	O-RING, 1AP10A	1							
18	1	119802-55801	FILTER, FUEL	1							
19	1	129210-59150	HOSE ASSY, FUEL L400	1							
20	2	124766-59050	CLAMP, HOSE 11.5	2							
21	2	105025-59530	HOSE, FUEL D13X400	1							
22	1	119643-66900	DIODE	1							
23	1	119650-77911	RELAY ASSY, GLOW	1							
26	1	129211-77920	TIMER, SECTION 1	1							

Parts No. Index

Parts No.	Fig. No.	Ref. No.	Parts No.	Fig. No.	Ref. No.	Parts No.	Fig. No.	Ref. No.	Parts No.	Fig. No.	Ref. No.
101304-59020	13	7	119125-34810	8	5	119620-01620	1	13	119717-61070	11	4
101720-55750	16	13	119125-34900	8	4	119620-02450	6	4	119718-13100	5	1
102103-55520	16	8	119125-39200	8	11	119620-14200	6	1	119734-02220	1	34
103854-39140	13	6	119125-39220	8	12	119620-21500	7	7	119734-49801	9	20
104200-55321	16	4	119125-51700	10	82	119620-59700	12	38	119734-61080	11	91
104200-55330	16	5	119125-51800	1	35	119620-77461	15	2	119740-61470	11	77
104200-55341	16	6	119125-52000	10	100	119620-77471	15	3	119761-61060	11	90
104200-55750	16	14	119125-59560	12	32	119620-77490	15	25	119802-03100	4	38
105010-11490	4	3	119125-59570	12	34	119620-79200	15	5	119802-03110	4	39
105025-59530	12	25	119125-77320	15	27	119620-79210	15	6	119802-03121	4	40
	16	21	119125-77800	4	53	119620-79220	15	7	119802-03131	4	41
105312-59510	13	10	119125-77820	4	54	119620-79230	15	8	119802-03141	4	42
105425-01690	3	5	119127-21550	7	8	119620-79250	15	11	119802-55801	13	3
106760-01770	2	6	119127-42310	9	17	119620-79290	15	16		16	18
110250-55610	16	9	119128-55690	13	2	119620-79300	15	17	119840-59570	12	37
114250-39450	8	14	119131-18320	5	5	119620-79310	15	18	119934-55611	13	1
119000-59550	12	36	119209-35030	8	8	119620-79320	15	19	119C10-21930	7	15
119025-01332	1	31	119285-11990	4	11	119620-79330	15	20	119C10-21940	7	13
119025-01500	2	1	119305-35151	8	15	119620-79340	15	22	119D00-01660	3	2
119025-01770	3	4		16	2	119620-79350	15	23	121257-55720	16	10
119025-14580	6	3	119515-01200	1	30	119621-21681	7	12	121257-55731	16	11
119025-21700	7	1	119515-11101	4	13	119626-77220	15	1	121450-42450	9	23
119025-22900	7	33	119515-11110	4	14	119626-77450	15	21	122710-51090	10	8
119025-25100	6	9	119515-11200	4	20	119643-66900	16	22	123501-79240	15	10
119025-34800	8	3	119515-11240	4	21	119650-77911	16	23	124060-01050	1	4
119025-35080	8	9	119515-11280	4	25	119685-42281	9	8	124060-21600	7	10
119025-42000	9	1	119515-11310	4	44	119717-01800	2	3	124064-55510	16	7
119025-42020	9	3	119515-11320	4	45	119717-03031	4	35	124066-59100	12	35
119025-42030	9	4	119515-11330	4	46	119717-03070	4	36	124160-01751	4	33
119025-59810	12	20	119515-11380	4	34			37	124250-49351	9	25
119025-59820	12	21	119515-11800	4	55	119717-11131	4	15	124465-44950	9	24
119025-59830	12	22	119515-13200	16	1	119717-11190	4	17	124732-77340	15	28
119027-01560	1	1	119515-14400	6	2	119717-11260	4	24	124766-59050	12	24
119125-01750	2	2	119515-22300	7	22	119717-11340	4	18		13	9
119125-01780	3	8	119515-23000	7	24	119717-11350	4	19		16	20
119125-01790	1	32	119515-23601	7	28	119717-11650	4	26	128401-77440	15	12
119125-01800	1	33	119515-23611	7	31	119717-13110	5	2	129052-77380	15	9
119125-01960	1	7	119515-42020	9	12	119717-13600	5	3	129052-77422	15	4
119125-01970	1	5	119515-53001	12	1	119717-23200	7	27	129052-79260	15	13
119125-02061	1	9	119515-53010	12	3	119717-23910	7	30	129052-79270	15	14
119125-02900	1	36	119515-59540	12	26	119717-35140	8	6	129100-01580	3	1
119125-02910	1	39	119515-77010	14	1	119717-42350	9	16		7	2
119125-02930	1	23	119517-11740	4	4	119717-51150	6	15	129100-52101	10	100 -1
119125-02940	1	42	119517-22090	7	16	119717-51420	10	27	129150-11230	4	27
119125-21200	7	4	119517-22500	7	18	119717-51711	10	83	129150-11750	4	29
119125-21660	7	11	119527-61440	11	25	119717-51750	10	84	129150-25301	6	12
119125-25050	1	26	119534-61420	11	22	119717-51761	10	85	129150-49360	9	26
119125-25910	6	14	119534-61430	11	24	119717-51860	10	97	129150-59120	12	15
119125-25930	6	13	119600-11460	4	2	119717-51930	11	2	129150-59131	12	18
119125-32000	8	1	119609-22950	7	35	119717-61050	11	3	129155-51020	10	5

Parts No. Index

Parts No.	Fig. No.	Ref. No.
129155-51280	10	18
129155-51400	10	25
129155-51580	10	46
129155-52051	10	101
129155-61461	11	76
129210-59050	13	8
129210-59150	12	23
	16	19
129211-77920	16	26
129255-61410	11	21
129335-55701	16	3
129350-49530	9	19
129423-77720	15	15
129508-11180	4	16
129630-77900	11	123
129900-32040	1	27
129901-11450	4	1
129901-53800	12	4
129901-59560	12	33
129972-77341	15	29
129E00-13610	5	4
158552-61900	11	78
158600-51410	10	26
158600-51420	10	28
158600-51570	10	45
158600-51790	10	86
171056-49120	9	22
171081-55910	16	15
22190-100002	11	82
22190-120002	12	39
	13	11
22190-160002	3	7
	10	88
22217-120000	10	89
22242-000120	4	30
22252-000220	7	23
22351-050010	10	90
22351-060012	1	28
22372-040000	11	84
22512-040120	7	5
22512-050120	7	14
22857-500100	4	47
		48
22857-500160	4	49
23414-080000	9	13
23418-060000	16	16
23876-005000	1	10
	4	12
24311-000180	2	7
24311-000320	4	50

Parts No.	Fig. No.	Ref. No.
24311-240100	16	17
26022-050122	10	94
26106-060102	8	10
	11	66
		86
		124
26106-060122	6	8
	8	13
	9	18
26106-060142	8	2
	11	87
26106-060202	4	51
	11	88
26106-060402	1	29
26106-060452	11	89
26106-060752	4	52
26106-080122	9	14
26106-080162	13	4
26106-080202	9	21
	15	30
26106-080252	13	5
26106-080352	2	4
26106-080402	4	32
26106-080452	2	5
	9	15
26106-100302	14	35
26106-100452	15	26
26206-100202	3	3
26306-080002	5	6
26577-060122	9	10
26716-120002	10	96
26979-050162	4	31
27241-300000	1	11
27241-450000	1	12
719025-51340	10	1
X0280210331	14	23
X0280335360	14	33
X0280626010	14	12
X0280996180	14	3
X0281007680	14	2
X0282005871	14	6
X0283006960	14	7
X0284105040	14	13
X0284525010	14	27
X0285007030	14	10
X0285105190	14	4
X0285205030	14	5
X0286105010	14	15
X0286305010	14	17
X0286355010	14	18

Parts No.	Fig. No.	Ref. No.
X0287405140	14	19
X0534007800	14	20
X1289510130	14	34
X4284001590	14	8
X9055715000	14	21
X9490065670	14	32
X9490138090	14	25
X9490138100	14	26
X9490138110	14	24
X9490423520	14	30
X9490560750	14	29
X9490561001	15	24
X9490562360	14	28
X9490721360	14	22
X9491034320	14	16
X9491034330	14	14
X9491040990	14	11
X9491050100	14	9

Parts No.	Fig. No.	Ref. No.
-----------	----------	----------