

0CD50-M00950EN

P R E F A C E

1. This parts catalog is the 1st edition of 3TNM72-CATP for ASIA TECH CO., LTD.

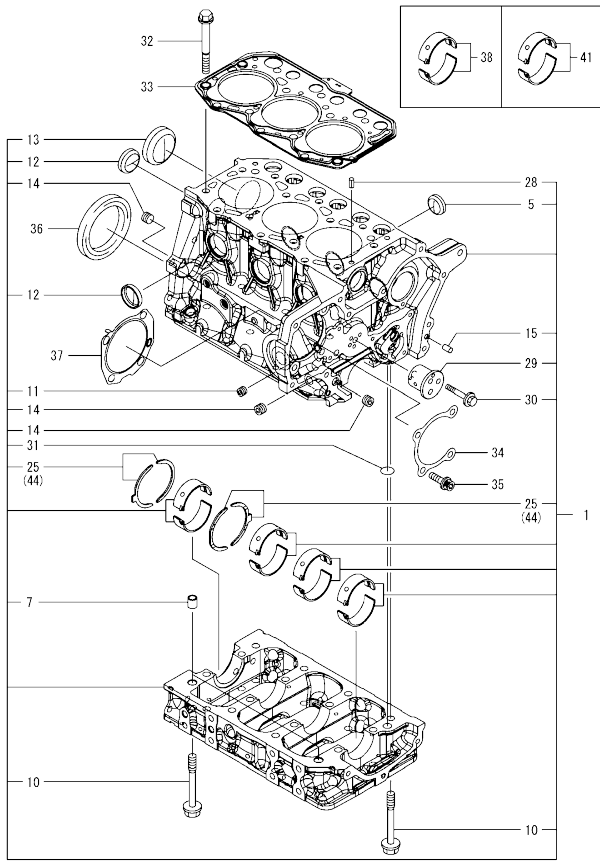
Published : December, 2014

Contents

OCD50-M00950

| Fig. No. | Fig. Name | Fig. No. | Fig. Name |
|----------|-----------------------------|----------|-----------|
| ENGINE | | | |
| 1. | CYLINDER BLOCK | | |
| 2. | GEAR HOUSING | | |
| 3. | FLYWHEEL HOUSING & OIL SUMP | | |
| 4. | CYLINDER HEAD & BONNET | | |
| 5. | EXHAUST MANIFOLD | | |
| 6. | CAMSHAFT & DRIVING GEAR | | |
| 7. | CRANKSHAFT & PISTON | | |
| 8. | LUB. OIL SYSTEM | | |
| 9. | COOLING WATER SYSTEM | | |
| 10. | FUEL INJECTION PUMP | | |
| 11. | GOVERNOR | | |
| 12. | FUEL INJECTION VALVE | | |
| 13. | FUEL PIPE | | |
| 14. | STARTER MOTOR | | |
| 15. | GENERATOR | | |

Fig.1. CYLINDER BLOCK



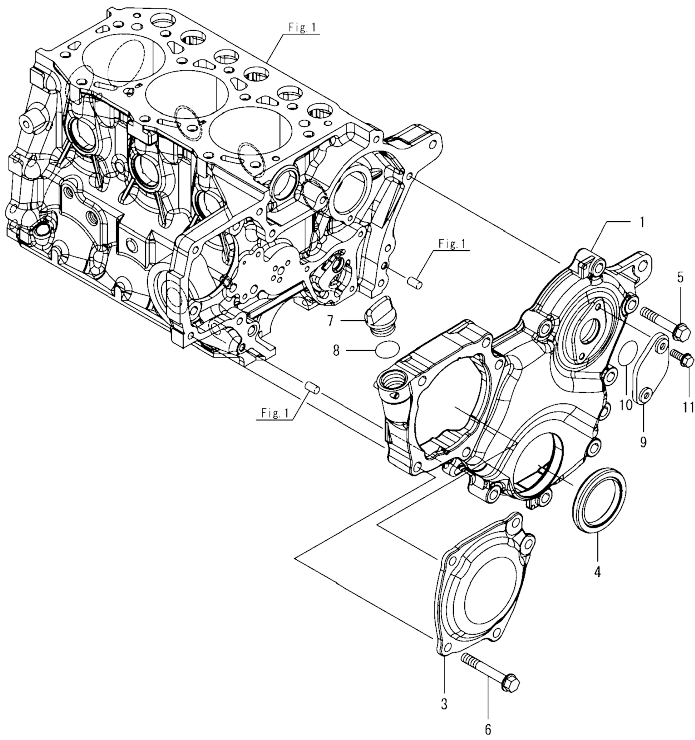
(A)=3TNM72-CATP
(B)=
(C)=

(D)=
(E)=
(F)=

| No. | Lev. | Parts No. | Description | Q'ty | | | | | | I | R |
|-----|------|--------------|----------------------|------|-----|-----|-----|-----|-----|---|---|
| | | | | (A) | (B) | (C) | (D) | (E) | (F) | | |
| 1 | 1 | 119027-01560 | BLOCK ASSY, CYLINDER | 1 | | | | | | | |
| 5 | 2 | 119125-01970 | PLUG, 25 | 3 | | | | | | | |
| 7 | 2 | 119125-01960 | PIPE, KNOCK | 2 | | | | | | | |
| 10 | 2 | 119125-02061 | BOLT, METAL CAP | 16 | | | | | | | |
| 11 | 2 | 23876-005000 | PLUG, R005 | 1 | | | | | | | |
| 12 | 2 | 27241-300000 | PLUG 30 | 4 | | | | | | | |
| 13 | 2 | 27241-450000 | PLUG, 45 | 1 | | | | | | | |
| 14 | 2 | 124060-01050 | PLUG, PT1/8 | 3 | | | | | | | |
| 15 | 2 | 119620-01620 | PIN, M6X10 | 2 | | | | | | | |
| 25 | 2 | 119125-02930 | BEARING, THRUST | 2 | | | | | | | |
| 28 | 2 | 22351-060012 | PIN, SPRING 6.0X12 | 2 | | | | | | | |
| 29 | 2 | 119125-25050 | SHAFT, IDLE GEAR | 1 | | | | | | | |
| 30 | 2 | 26106-060402 | BOLT, M6X 40 PLATED | 3 | | | | | | | |
| 31 | 2 | 129900-32040 | O-RING, P14 | 1 | | | | | | | |
| 32 | 1 | 119515-01200 | BOLT, HEAD | 14 | | | | | | | |
| 33 | 1 | 119025-01332 | GASKET, HEAD | 1 | | | | | | | |
| 34 | 1 | 119125-01790 | GASKET | 1 | | | | | | | |
| 35 | 1 | 119125-01800 | FLANGE BOLT, M8X1.25 | 4 | | | | | | | |
| 36 | 1 | 119734-02220 | SEAL, OIL | 1 | | | | | | | |
| 37 | 1 | 119125-51800 | GASKET | 1 | | | | | | | |
| 38 | 1 | 119125-02900 | BEARING, MAIN | 4 | | | | | | | 1 |
| 41 | 1 | 119125-02910 | BEARING, 0.25 US | 4 | | | | | | | 2 |
| 44 | 1 | 119125-02940 | BEARING, THRUST 0.25 | 2 | | | | | | | 3 |

Remarks
(1)Spare parts.
(2)Under-sized(U.S.=0.25) parts.
(3)Over-sized(O.S.=0.25) parts.

Fig.2. GEAR HOUSING

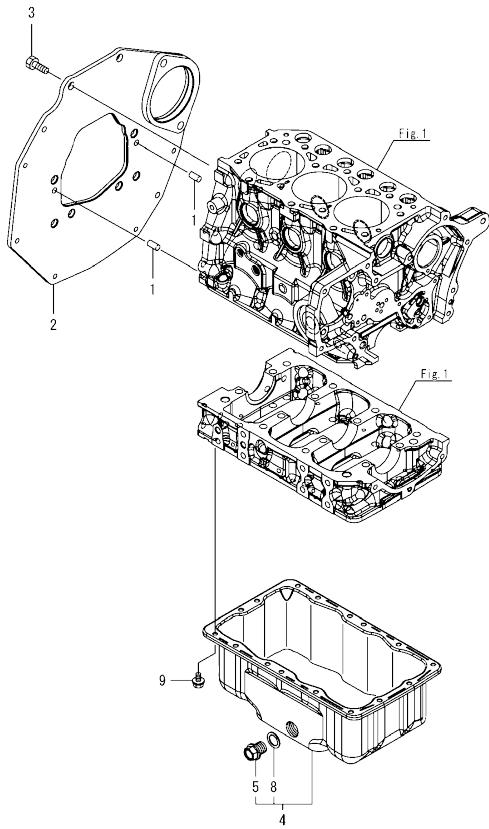


(A)=3TNM72-CATP
(B)=
(C)=

(D)=
(E)=
(F)=

| No. | Lev. | Parts No. | Description | Q'ty | | | | | | I | R |
|-----|------|--------------|---------------------|------|-----|-----|-----|-----|-----|---|---|
| | | | | (A) | (B) | (C) | (D) | (E) | (F) | | |
| 1 | 1 | 119025-01530 | CASE, GEAR | 1 | | | | | | | |
| 3 | 1 | 119125-01750 | COVER | 1 | | | | | | | |
| 4 | 1 | 119717-01800 | SEAL, OIL | 1 | | | | | | | |
| 5 | 1 | 26106-080352 | BOLT, M8X 35 PLATED | 8 | | | | | | | |
| 6 | 1 | 26106-080452 | BOLT, M8X 45 PLATED | 5 | | | | | | | |
| 7 | 1 | 106760-01770 | CAP | 2 | | | | | | | |
| 8 | 1 | 24311-000180 | O-RING, 1AP18.0 | 1 | | | | | | | |
| 9 | 1 | 121023-01551 | COVER | 1 | | | | | | | |
| 10 | 1 | 24341-000240 | O-RING, 1AS24.0 | 1 | | | | | | | |
| 11 | 1 | 26106-080452 | BOLT, M8X 45 PLATED | 2 | | | | | | | |

Fig.3. FLYWHEEL HOUSING & OIL SUMP

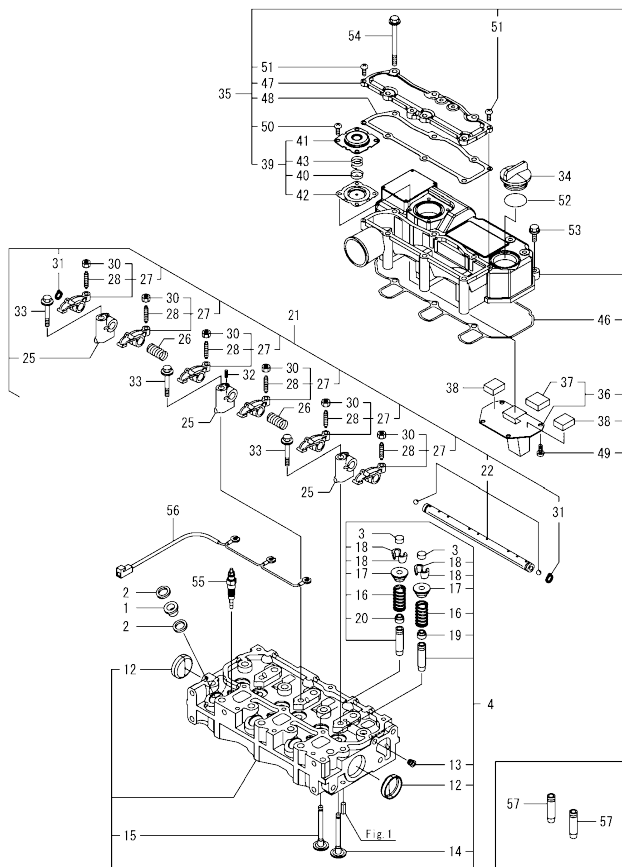


(A)=3TNM72-CATP
(B)=
(C)=

(D)=
(E)=
(F)=

| No. | Lev. | Parts No. | Description | Q'ty | | | | | | I | R | |
|-----|------|--------------|----------------------|------|-----|-----|-----|-----|-----|---|---|--|
| | | | | (A) | (B) | (C) | (D) | (E) | (F) | | | |
| 1 | 1 | 129100-01580 | PIN, 8X16 | | 2 | | | | | | | |
| 2 | 1 | 119D00-01660 | FLANGE, MOUNTING | | 1 | | | | | | | |
| 3 | 1 | 26206-100202 | BOLT, M10X 20 PLATED | | 8 | | | | | | | |
| 4 | 1 | 119025-01770 | SUMP ASSY, OIL | | 1 | | | | | | | |
| 5 | 2 | 105425-01690 | PLUG, 16 | | 1 | | | | | | | |
| 8 | 2 | 22190-160002 | WASHER, SEAL 16 | | 1 | | | | | | | |
| 9 | 1 | 119125-01780 | BOLT, M6X10 | | 16 | | | | | | | |

Fig.4. CYLINDER HEAD & BONNET



| No. | Lev. | Parts No. | Description | Q'ty | | | | | | I | R |
|-----|------|--------------|----------------------|------|-----|-----|-----|-----|-----|---|---|
| | | | | (A) | (B) | (C) | (D) | (E) | (F) | | |
| 1 | 1 | 129901-11450 | PROTECTOR, NOZZLE | 3 | | | | | | | |
| 2 | 1 | 119600-11460 | GASKET, NOZZLE | 6 | | | | | | | |
| 3 | 1 | 105010-11490 | CAP, VALVE | 6 | | | | | | | |
| 4 | 1 | 119517-11740 | HEAD ASSY, CYLINDER | 1 | | | | | | | |
| 12 | 2 | 119285-11990 | PLUG, 35 | 2 | | | | | | | |
| 13 | 2 | 23876-005000 | PLUG, R005 | 1 | | | | | | | |
| 14 | 2 | 119515-11101 | VALVE, INTAKE | 3 | | | | | | | |
| 15 | 2 | 119515-11110 | VALVE, EXHAUST | 3 | | | | | | | |
| 16 | 2 | 119717-11131 | SPRING, VALVE | 6 | | | | | | | |
| 17 | 2 | 129508-11180 | RETAINER, SPRING | 6 | | | | | | | |
| 18 | 2 | 119717-11190 | COTTER | 12 | | | | | | | |
| 19 | 2 | 119717-11340 | SEAL, VALVE STEM | 3 | | | | | | | |
| 20 | 2 | 119717-11350 | SEAL, VALVE STEM | 3 | | | | | | | |
| 21 | 1 | 119515-11200 | SUPPORT ASSY, ARM | 1 | | | | | | | |
| 22 | 2 | 119515-11240 | SHAFT ASSY, ROCKER | 1 | | | | | | | |
| 25 | 2 | 119717-11260 | SUPPORT, ROCKER ARM | 3 | | | | | | | |
| 26 | 2 | 119515-11280 | SPRING | 2 | | | | | | | |
| 27 | 2 | 119717-11650 | ARM, ROCKER | 6 | | | | | | | |
| 28 | 3 | 129150-11230 | SCREW, VALVE ADJUST | 6 | | | | | | | |
| 30 | 3 | 129150-11750 | NUT, M8 | 6 | | | | | | | |
| 31 | 2 | 22242-000120 | RING, 12 | 2 | | | | | | | |
| 32 | 2 | 26979-050162 | SCREW, M5X16 | 1 | | | | | | | |
| 33 | 1 | 26106-080402 | BOLT, M8X 40 PLATED | 3 | | | | | | | |
| 34 | 1 | 124160-01751 | COVER, FILLER | 1 | | | | | | | |
| 35 | 1 | 119515-11380 | BONNET ASSY, HEAD | 1 | | | | | | | |
| 36 | 2 | 119717-03031 | PLATE | 1 | | | | | | | |
| 37 | 3 | 119717-03070 | BAFFLE, BREATHER | 1 | | | | | | | |
| 38 | 2 | 119717-03070 | BAFFLE, BREATHER | 2 | | | | | | | |
| 39 | 2 | 119802-03100 | DIAPHRAGM ASSY | 1 | | | | | | | |
| 40 | 3 | 119802-03110 | PLATE | 1 | | | | | | | |
| 41 | 3 | 119802-03121 | COVER, DIAPHRAGM | 1 | | | | | | | |
| 42 | 3 | 119802-03131 | DIAPHRAGM | 1 | | | | | | | |
| 43 | 3 | 119802-03141 | SPRING, DIAPHRAGM | 1 | | | | | | | |
| 46 | 2 | 119515-11310 | GASKET, BONNET | 1 | | | | | | | |
| 47 | 2 | 119515-11320 | COVER, BONNET | 1 | | | | | | | |
| 48 | 2 | 119515-11330 | GASKET | 1 | | | | | | | |
| 49 | 2 | 22857-500100 | SCREW, 5X10 | 4 | | | | | | | |
| 50 | 2 | 22857-500100 | SCREW, 5X10 | 4 | | | | | | | |
| 51 | 2 | 22857-500160 | SCREW, 5X16 | 2 | | | | | | | |
| 52 | 1 | 24311-000320 | O-RING, 1AP32.0 | 1 | | | | | | | |
| 53 | 1 | 26106-060202 | BOLT, M6X 20 PLATED | 3 | | | | | | | |
| 54 | 1 | 26106-060752 | BOLT, M6X 75 PLATED | 6 | | | | | | | |
| 55 | 1 | 119125-77800 | PLUG, GLOW | 3 | | | | | | | |
| 56 | 1 | 119125-77820 | CONNECTOR, GLOW PLUG | 1 | | | | | | | |
| 57 | 1 | 119515-11800 | GUIDE, VALVE | 6 | | | | | | | 1 |

Remarks
(1)Spare parts.

Fig.5. EXHAUST MANIFOLD

(A)=3TNM72-CATP
(B)=
(C)=

(D)=
(E)=
(F)=

| No. | Lev. | Parts No. | Description | Q'ty | | | | | | I | R |
|-----|------|--------------|-------------------|------|-----|-----|-----|-----|-----|---|---|
| | | | | (A) | (B) | (C) | (D) | (E) | (F) | | |
| 1 | 1 | 119718-13100 | MANIFOLD, EXHAUST | 1 | | | | | | | |
| 2 | 1 | 119717-13110 | GASKET | 1 | | | | | | | |
| 3 | 1 | 119717-13600 | STUD, M8X50 | 2 | | | | | | | |
| 4 | 1 | 129E00-13610 | BOLT, M8X50 10.9 | 4 | | | | | | | |
| 5 | 1 | 119131-18320 | STUD, M8X22 | 4 | | | | | | | |
| 6 | 1 | 26306-080002 | NUT, M8 | 2 | | | | | | | |
| 7 | 1 | 119515-13200 | GASKET, SILENCER | 1 | | | | | | | 1 |

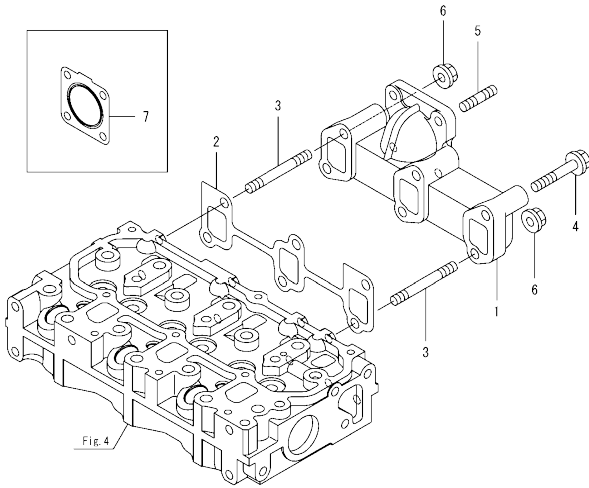
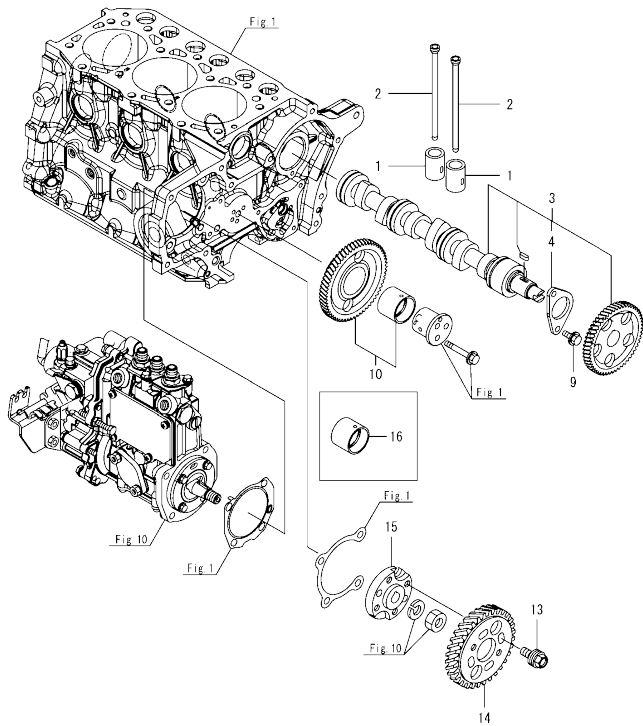


Fig. 4

Remarks
(1) Loose parts.

Fig.6. CAMSHAFT & DRIVING GEAR



(A)=3TNM72-CATP
(B)=
(C)=

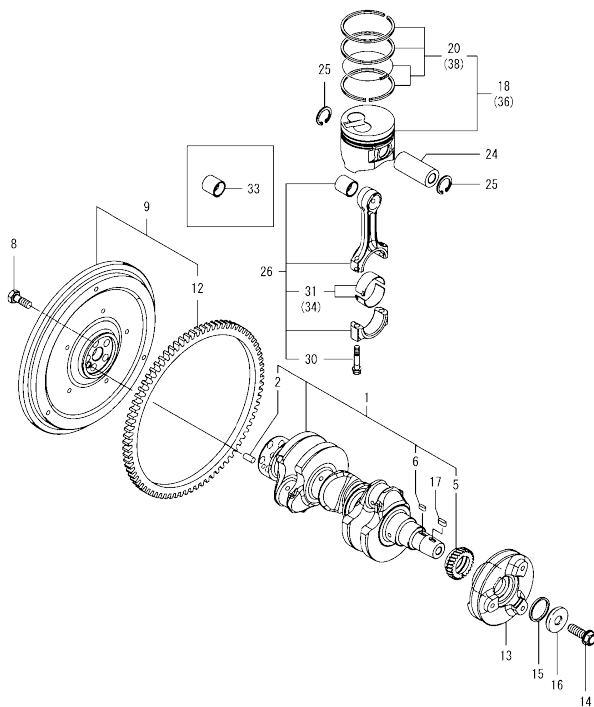
(D)=
(E)=
(F)=

| No. | Lev. | Parts No. | Description | Q'ty | | | | | | I | R |
|-----|------|--------------|---------------------|------|-----|-----|-----|-----|-----|---|---|
| | | | | (A) | (B) | (C) | (D) | (E) | (F) | | |
| 1 | 1 | 119620-14200 | TAPPET | 6 | | | | | | | |
| 2 | 1 | 119515-14400 | ROD, PUSH | 6 | | | | | | | |
| 3 | 1 | 119025-14580 | CAMSHAFT ASSY | 1 | | | | | | | |
| 4 | 2 | 119620-02450 | BEARING, THRUST | 1 | | | | | | | |
| 9 | 1 | 26106-060122 | BOLT, M6X 12 PLATED | 2 | | | | | | | |
| 10 | 1 | 119025-25100 | GEAR ASSY, IDLE | 1 | | | | | | | |
| 13 | 1 | 129150-25301 | BOLT | 4 | | | | | | | |
| 14 | 1 | 119125-25930 | GEAR, PUMP | 1 | | | | | | | |
| 15 | 1 | 119717-51150 | FLANGE | 1 | | | | | | | |
| 16 | 1 | 119125-25910 | BUSH, IDLE GEAR | 1 | | | | | | | 1 |

Remarks

(1)Spare parts.

Fig.7. CRANKSHAFT & PISTON



(A)=3TNM72-CATP
(B)=
(C)=

(D)=
(E)=
(F)=

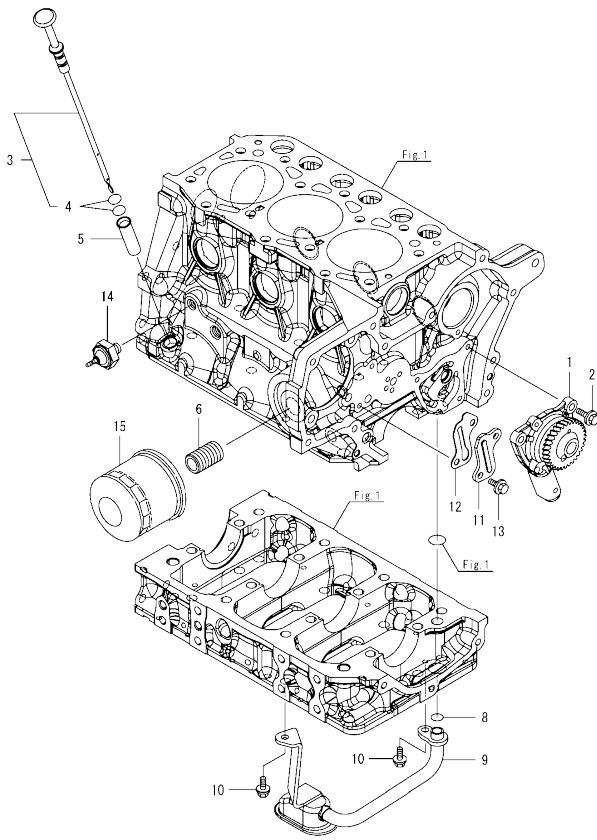
| No. | Lev. | Parts No. | Description | Q'ty | | | | | | I | R |
|-----|------|--------------|----------------------|------|-----|-----|-----|-----|-----|---|---|
| | | | | (A) | (B) | (C) | (D) | (E) | (F) | | |
| 1 | 1 | 119025-21700 | CRANKSHAFT ASSY | 1 | | | | | | | |
| 2 | 2 | 129100-01580 | PIN, 8X16 | 1 | | | | | | | |
| 5 | 2 | 119125-21200 | GEAR, CRANKSHAFT | 1 | | | | | | | |
| 6 | 2 | 22512-040120 | KEY, 4X 12 | 1 | | | | | | | |
| 8 | 1 | 119620-21500 | BOLT, FLYWHEEL | 5 | | | | | | | |
| 9 | 1 | 119127-21590 | FLYWHEEL ASSY | 1 | | | | | | | |
| 12 | 2 | 124060-21600 | GEAR, RING | 1 | | | | | | | |
| 13 | 1 | 119125-21660 | V-PULLEY | 1 | | | | | | | |
| 14 | 1 | 119621-21681 | BOLT, FLANGE 12X1.25 | 1 | | | | | | | |
| 15 | 1 | 119C10-21930 | PACKING, WASHER | 1 | | | | | | | |
| 16 | 1 | 119C10-21940 | WASHER, V-PULLEY | 1 | | | | | | | |
| 17 | 1 | 22512-050120 | KEY, 5X 12 | 1 | | | | | | | |
| 18 | 1 | 119517-22090 | PISTON ASSY | 3 | | | | | | | |
| 20 | 2 | 119517-22500 | RING SET, PISTON | 3 | | | | | | | |
| 24 | 1 | 119515-22300 | PIN, PISTON | 3 | | | | | | | |
| 25 | 1 | 22252-000220 | RING, 22 | 6 | | | | | | | |
| 26 | 1 | 119515-23000 | ROD ASSY, CONNECTING | 3 | | | | | | | |
| 30 | 2 | 119717-23200 | BOLT, CONNECTING ROD | 6 | | | | | | | |
| 31 | 2 | 119515-23601 | BEARING, CRANK PIN | 3 | | | | | | | |
| 33 | 1 | 119717-23910 | BEARING, PISTON PIN | 3 | | | | | | | 1 |
| 34 | 1 | 119515-23611 | METAL ASSY, 0.25 | 3 | | | | | | | 2 |
| 36 | 1 | 119025-22900 | PISTON ASSY | 3 | | | | | | | 3 |
| 38 | 2 | 119609-22950 | RING SET, 0.25 OS | 3 | | | | | | | 3 |

Remarks
(1)Spare parts.
(2)Under-sized(U.S.=0.25) parts.
(3)Over-sized(O.S.=0.25) parts.

Fig.8. LUB. OIL SYSTEM

(A)=3TNM72-CATP
(B)=
(C)=

(D)=
(E)=
(F)=

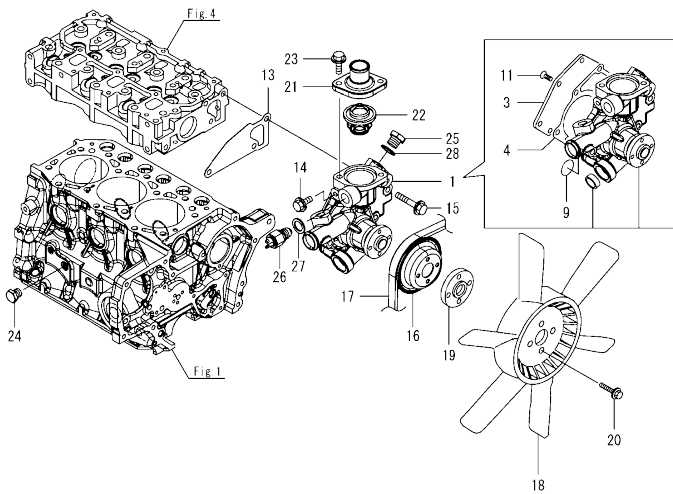


| No. | Lev. | Parts No. | Description | Q'ty | | | | | | I | R |
|-----|------|--------------|----------------------|------|-----|-----|-----|-----|-----|---|---|
| | | | | (A) | (B) | (C) | (D) | (E) | (F) | | |
| 1 | 1 | 119125-32000 | PUMP ASSY, OIL | 1 | | | | | | | |
| 2 | 1 | 26106-060142 | BOLT, M6X 14 PLATED | 3 | | | | | | | |
| 3 | 1 | 119025-34800 | DIPSTICK, OIL | 1 | | | | | | | |
| 4 | 2 | 119125-34900 | O-RING | 2 | | | | | | | |
| 5 | 1 | 119125-34810 | GUIDE, DIPSTICK | 1 | | | | | | | |
| 6 | 1 | 119717-35140 | BOLT | 1 | | | | | | | |
| 8 | 1 | 119209-35030 | O-RING, P11 | 1 | | | | | | | |
| 9 | 1 | 119025-35080 | PIPE ASSY, OIL INLET | 1 | | | | | | | |
| 10 | 1 | 26106-060102 | BOLT, M6X 10 PLATED | 2 | | | | | | | |
| 11 | 1 | 119125-39200 | COVER | 1 | | | | | | | |
| 12 | 1 | 119125-39220 | GASKET | 1 | | | | | | | |
| 13 | 1 | 26106-060122 | BOLT, M6X 12 PLATED | 2 | | | | | | | |
| 14 | 1 | 114250-39450 | SWITCH, 0.5KG | 1 | | | | | | | |
| 15 | 1 | 119305-35151 | FILTER ASSY, D68XL65 | 1 | | | | | | | 1 |

Remarks

(1)Spare parts.

Fig.9. COOLING WATER SYSTEM

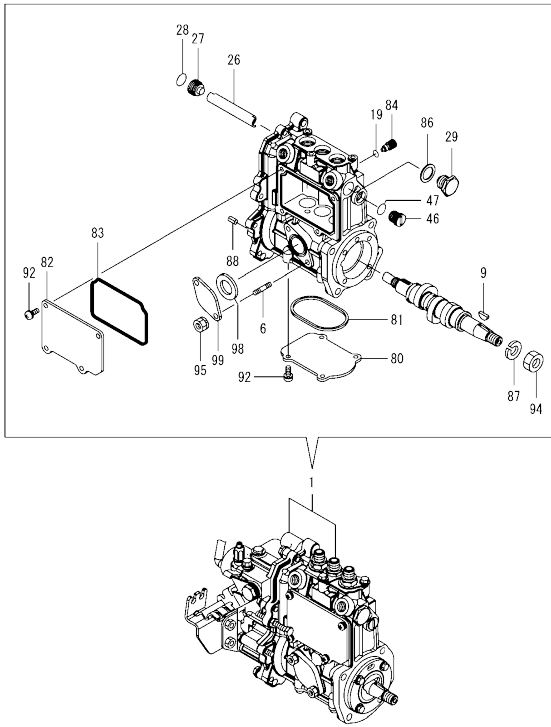


(A)=3TNM72-CATP
(B)=
(C)=

(D)=
(E)=
(F)=

| No. | Lev. | Parts No. | Description | Q'ty | | | | | | I | R |
|-----|------|--------------|---------------------|------|-----|-----|-----|-----|-----|---|---|
| | | | | (A) | (B) | (C) | (D) | (E) | (F) | | |
| 1 | 1 | 119025-42000 | PUMP ASSY, WATER | 1 | | | | | | | |
| 3 | 2 | 119025-42020 | COVER | 1 | | | | | | | |
| 4 | 2 | 119025-42030 | GASKET, WATER PUMP | 1 | | | | | | | |
| 9 | 2 | 119685-42281 | O-RING | 1 | | | | | | | |
| 11 | 2 | 26577-060122 | SCREW, M6X12 | 5 | | | | | | | |
| 13 | 1 | 119515-42020 | GASKET, WATER PUMP | 1 | | | | | | | |
| 14 | 1 | 26106-080122 | BOLT, M8X 12 PLATED | 1 | | | | | | | |
| 15 | 1 | 26106-080452 | BOLT, M8X 45 PLATED | 3 | | | | | | | |
| 16 | 1 | 119740-42350 | V-PULLEY, D=90 | 1 | | | | | | | |
| 17 | 1 | 119127-42310 | V-BELT, A34.5COG | 1 | | | | | | | |
| 18 | 1 | 124450-44740 | FAN, COOLING | 1 | | | | | | | |
| 19 | 1 | 124574-44761 | SPACER, FAN | 1 | | | | | | | |
| 20 | 1 | 26106-060202 | BOLT, M6X 20 PLATED | 4 | | | | | | | |
| 21 | 1 | 129350-49530 | COVER, THERMOSTAT | 1 | | | | | | | |
| 22 | 1 | 119717-49800 | THERMOSTAT, 71 | 1 | | | | | | | |
| 23 | 1 | 26106-080202 | BOLT, M8X 20 PLATED | 2 | | | | | | | |
| 24 | 1 | 171056-49120 | PLUG, DRAIN | 1 | | | | | | | |
| 25 | 1 | 121450-42450 | PLUG, M16 | 1 | | | | | | | |
| 26 | 1 | 121250-44901 | SWITCH, 110 | 1 | | | | | | | |
| 27 | 1 | 124465-44950 | GASKET, 16 | 1 | | | | | | | |
| 28 | 1 | 124465-44950 | GASKET, 16 | 1 | | | | | | | |

Fig.10. FUEL INJECTION PUMP



(A)=3TNM72-CATP
(B)=
(C)=

(D)=
(E)=
(F)=

| No. | Lev. | Parts No. | Description | Q'ty | | | | | | I | R |
|-----|------|--------------|--------------------|------|-----|-----|-----|-----|-----|---|---|
| | | | | (A) | (B) | (C) | (D) | (E) | (F) | | |
| 1 | 1 | 719025-51320 | FIE ASSY | 1 | | | | | | | 1 |
| 6 | 2 | 129155-51020 | STUD | 2 | | | | | | | |
| 9 | 2 | 122710-51090 | KEY | 1 | | | | | | | |
| 19 | 2 | 129155-51280 | O-RING, S6 | 1 | | | | | | | |
| 26 | 2 | 129155-51400 | DEFLECTOR | 1 | | | | | | | |
| 27 | 2 | 158600-51410 | PLUG, DEFLECTOR | 1 | | | | | | | |
| 28 | 2 | 119717-51420 | O-RING | 1 | | | | | | | |
| 29 | 2 | 158600-51420 | PLUG, DEFLECTOR | 1 | | | | | | | |
| 46 | 2 | 158600-51570 | PLUG | 1 | | | | | | | |
| 47 | 2 | 129155-51580 | O-RING | 1 | | | | | | | |
| 80 | 2 | 119125-51700 | COVER | 1 | | | | | | | |
| 81 | 2 | 119717-51711 | GASKET | 1 | | | | | | | |
| 82 | 2 | 119717-51750 | COVER | 1 | | | | | | | |
| 83 | 2 | 119717-51761 | GASKET | 1 | | | | | | | |
| 84 | 2 | 158600-51790 | STOOPER, RACK | 1 | | | | | | | |
| 86 | 2 | 22190-160002 | WASHER, SEAL 16 | 1 | | | | | | | |
| 87 | 2 | 22217-120000 | WASHER, SPRING 12 | 1 | | | | | | | |
| 88 | 2 | 22351-050010 | PIN, SPRING 5.0X10 | 2 | | | | | | | |
| 92 | 2 | 26022-050122 | SCREW, M5X12 | 8 | | | | | | | |
| 94 | 2 | 26716-120002 | NUT, M12 | 1 | | | | | | | |
| 95 | 2 | 119717-51860 | NUT, M6 | 2 | | | | | | | |
| 98 | 2 | 129155-52051 | GASKET | 1 | | | | | | | |
| 99 | 2 | 129100-52200 | COVER | 1 | | | | | | | |

Remarks

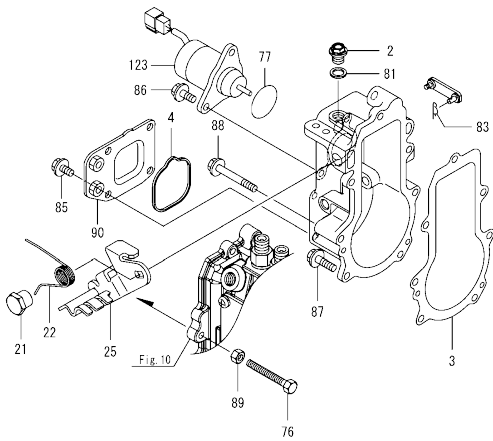
(1)Governor(Fig.11) is incorporated in this Fuel Injection Pump(No.1).

Fig.11. GOVERNOR

(A)=3TNM72-CATP
(B)=
(C)=

(D)=
(E)=
(F)=

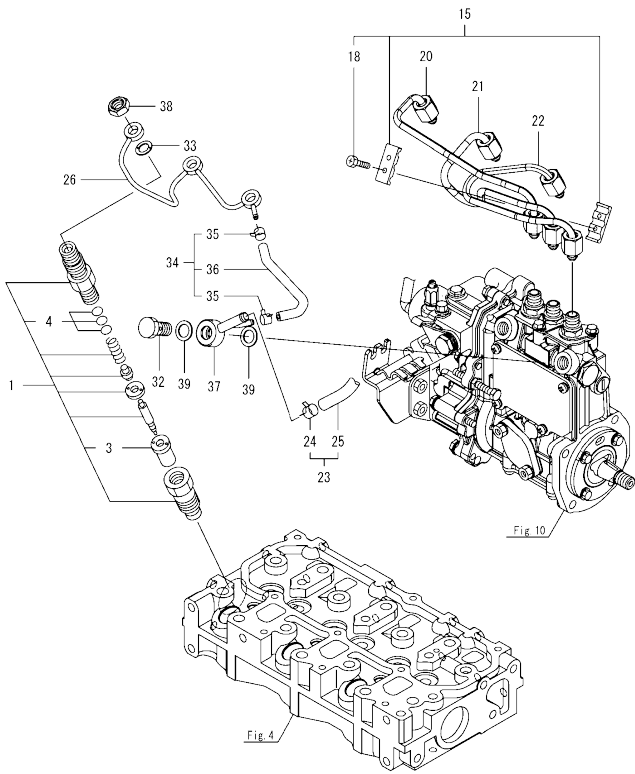
| No. | Lev. | Parts No. | Description | Q'ty | | | | | | I | R |
|-----|------|--------------|----------------------|------|-----|-----|-----|-----|-----|---|---|
| | | | | (A) | (B) | (C) | (D) | (E) | (F) | | |
| 2 | 2 | 119717-51930 | PLUG,M10 | 1 | | | | | | | |
| 3 | 2 | 119717-61050 | GASKET | 1 | | | | | | | |
| 4 | 2 | 119717-61070 | GASKET | 1 | | | | | | | |
| 21 | 3 | 129255-61410 | NUT, LOCK | 1 | | | | | | | |
| 22 | 3 | 119534-61420 | SPRING | 1 | | | | | | | |
| 25 | 3 | 119527-61440 | LEVER ASSY,REGULATOR | 1 | | | | | | | |
| 76 | 2 | 129155-61460 | BOLT, IDLE | 1 | | | | | | | |
| 77 | 2 | 158552-61900 | O-RING | 1 | | | | | | | |
| 81 | 2 | 22190-100002 | WASHER, SEAL 10 | 1 | | | | | | | |
| 83 | 2 | 22372-040000 | PIN, SNAP 4 | 1 | | | | | | | |
| 85 | 2 | 26106-060102 | BOLT, M6X 10 PLATED | 4 | | | | | | | |
| 86 | 2 | 26106-060142 | BOLT, M6X 14 PLATED | 2 | | | | | | | |
| 87 | 2 | 26106-060202 | BOLT, M6X 20 PLATED | 4 | | | | | | | |
| 88 | 2 | 26106-060452 | BOLT, M6X 45 PLATED | 3 | | | | | | | |
| 89 | 2 | 26756-060002 | NUT, LOCK M6 | 1 | | | | | | | |
| 90 | 2 | 119761-61060 | COVER, GOVERNOR CASE | 1 | | | | | | | |
| 123 | 2 | 119653-77950 | SOLENOID, STOP | 1 | | | | | | | |



Remarks

* This figure(Governor) is incorporated in the Fuel Injection Pump(Fig.10).

Fig.12. FUEL INJECTION VALVE



(A)=3TNM72-CATP
(B)=
(C)=

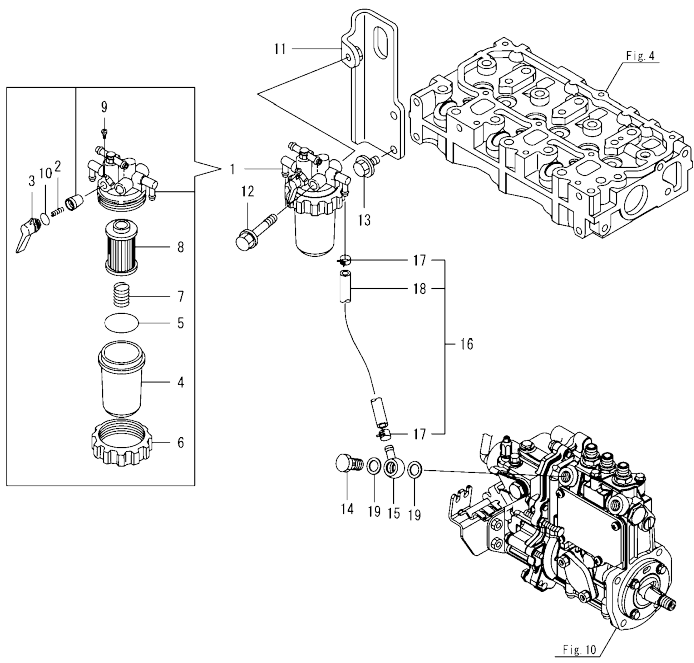
(D)=
(E)=
(F)=

| No. | Lev. | Parts No. | Description | Q'ty | | | | | | I | R |
|-----|------|--------------|----------------------|------|-----|-----|-----|-----|-----|---|---|
| | | | | (A) | (B) | (C) | (D) | (E) | (F) | | |
| 1 | 1 | 119515-53001 | VALVE ASSY,INJECTION | 3 | | | | | | | |
| 3 | 2 | 119515-53010 | VALVE ASSY,INJECTION | 3 | | | | | | | |
| 4 | 2 | 129901-53800 | SHIM SET, ADJUSTING | 3 | | | | | | | 1 |
| 15 | 1 | 129150-59120 | RETAINER, PIPE | 1 | | | | | | | |
| 18 | 2 | 129150-59131 | BOLT, M4X14 | 2 | | | | | | | |
| 20 | 1 | 119025-59810 | PIPE, FUEL INJECTION | 1 | | | | | | | |
| 21 | 1 | 119025-59820 | PIPE, FUEL INJECTION | 1 | | | | | | | |
| 22 | 1 | 119025-59830 | PIPE, FUEL INJECTION | 1 | | | | | | | |
| 23 | 1 | 129210-59140 | PIPE ASSY, FUEL | 1 | | | | | | | |
| 24 | 2 | 124766-59050 | CLIP, HOSE 11.5 | 2 | | | | | | | |
| 25 | 2 | 105230-59510 | PIPE, FUEL | 1 | | | | | | | |
| 26 | 1 | 119515-59540 | PIPE ASSY, RETURN | 1 | | | | | | | |
| 32 | 1 | 119125-59560 | BOLT, PIPE JOINT | 1 | | | | | | | |
| 33 | 1 | 129901-59560 | GASKET | 3 | | | | | | | |
| 34 | 1 | 119125-59570 | PIPE ASSY, RETURN | 1 | | | | | | | |
| 35 | 2 | 124066-59100 | CLIP, HOSE 8 | 2 | | | | | | | |
| 36 | 2 | 119000-59550 | PIPE, FUEL RETURN | 1 | | | | | | | |
| 37 | 1 | 119840-59570 | JOINT | 1 | | | | | | | |
| 38 | 1 | 119620-59700 | NUT, NOZZLE | 3 | | | | | | | |
| 39 | 1 | 22190-120002 | WASHER, SEAL 12 | 2 | | | | | | | |

Remarks

(1)Spare parts.

Fig.13. FUEL PIPE

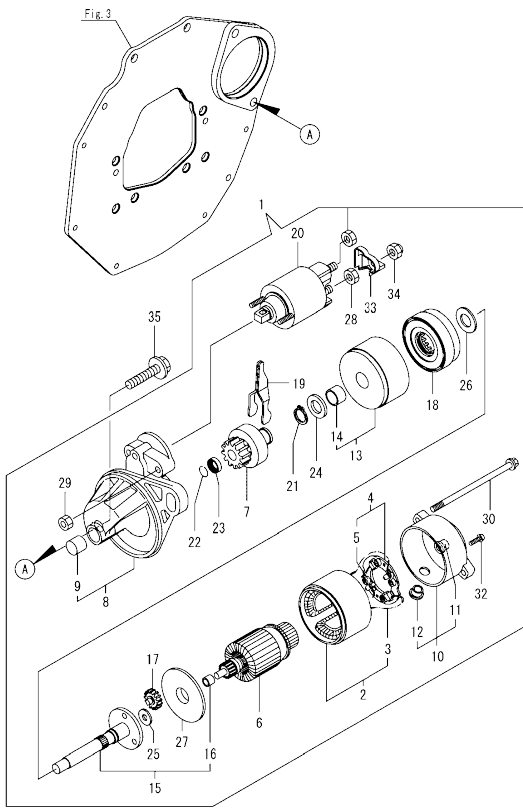


(A)=3TNM72-CATP
(B)=
(C)=

(D)=
(E)=
(F)=

| No. | Lev. | Parts No. | Description | Q'ty | | | | | | I | R |
|-----|------|--------------|---------------------|------|-----|-----|-----|-----|-----|---|---|
| | | | | (A) | (B) | (C) | (D) | (E) | (F) | | |
| 1 | 1 | 119833-55621 | FILTER ASSY, FUEL | 1 | | | | | | | |
| 2 | 2 | 104200-55330 | SPRING, VALVE | 1 | | | | | | | |
| 3 | 2 | 119810-55340 | LEVER | 1 | | | | | | | |
| 4 | 2 | 121254-55510 | COVER | 1 | | | | | | | |
| 5 | 2 | 102103-55520 | O-RING | 1 | | | | | | | |
| 6 | 2 | 110250-55610 | RING, RETAINING | 1 | | | | | | | |
| 7 | 2 | 121250-55620 | SPRING | 1 | | | | | | | |
| 8 | 2 | 119810-55650 | ELEMENT | 1 | | | | | | | |
| 9 | 2 | 104200-55750 | SCREW, M4 | 1 | | | | | | | |
| 10 | 2 | 24311-240100 | O-RING, 1AP10A | 1 | | | | | | | |
| 11 | 1 | 119028-55650 | BRACKET, FILTER | 1 | | | | | | | |
| 12 | 1 | 26014-080702 | BOLT, M8X 70 | 1 | | | | | | | |
| 13 | 1 | 26106-080162 | BOLT, M8X 16 PLATED | 2 | | | | | | | |
| 14 | 1 | 103854-39140 | BOLT, PIPE JOINT | 1 | | | | | | | |
| 15 | 1 | 101304-59020 | JOINT, PIPE 12 | 1 | | | | | | | |
| 16 | 1 | 129210-59230 | PIPE ASSY, FUEL | 1 | | | | | | | |
| 17 | 2 | 124766-59050 | CLIP, HOSE 11.5 | 2 | | | | | | | |
| 18 | 2 | 129555-59511 | PIPE, FUEL | 1 | | | | | | | |
| 19 | 1 | 22190-120002 | WASHER, SEAL 12 | 2 | | | | | | | |

Fig.14. STARTER MOTOR



(A)=3TNM72-CATP
(B)=
(C)=

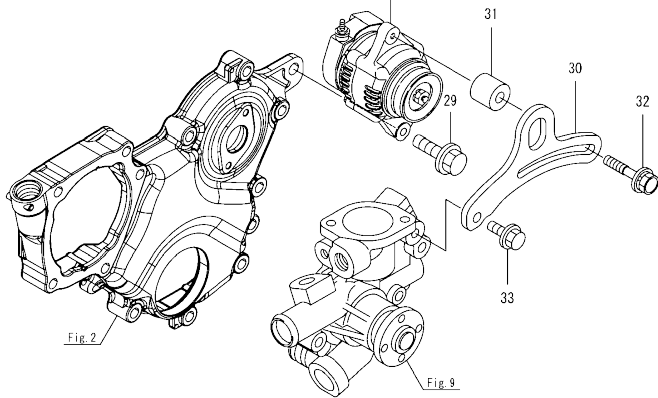
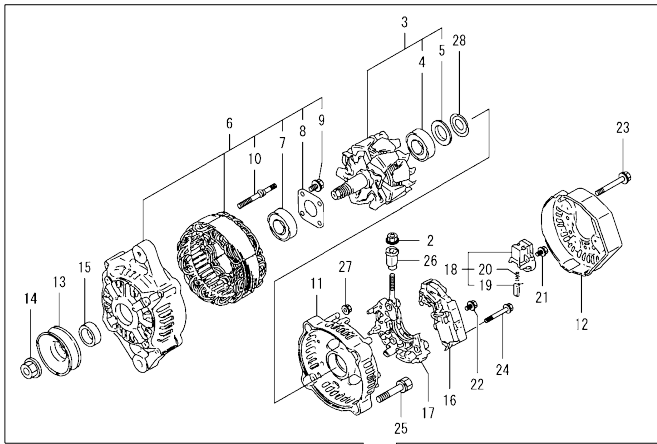
(D)=
(E)=
(F)=

| No. | Lev. | Parts No. | Description | Q'ty | | | | | | I | R |
|-----|------|--------------|----------------------|------|-----|-----|-----|-----|-----|---|---|
| | | | | (A) | (B) | (C) | (D) | (E) | (F) | | |
| 1 | 1 | 119515-77010 | STARTER | 1 | | | | | | | 1 |
| 2 | 2 | X0281007680 | YOKE ASSY | 1 | | | | | | | |
| 3 | 3 | X0280996180 | STARTER KIT | 2 | | | | | | | |
| 4 | 2 | X0285105190 | HOLDER ASSY | 1 | | | | | | | |
| 5 | 3 | X0285205030 | SPRING | 4 | | | | | | | |
| 6 | 2 | X0282005871 | ARMATURE ASSY | 1 | | | | | | | |
| 7 | 2 | X0283006960 | CLUTCH ASSY | 1 | | | | | | | |
| 8 | 2 | X4284001590 | HOUSING ASSY | 1 | | | | | | | |
| 9 | 3 | X9491050100 | BEARING, NEEDLE | 1 | | | | | | | |
| 10 | 2 | X0285007030 | FRAME ASSY | 1 | | | | | | | |
| 11 | 3 | X9491040990 | BEARING | 1 | | | | | | | |
| 12 | 3 | X0280626010 | COVER | 1 | | | | | | | |
| 13 | 2 | X0284105040 | BEARING ASSY | 1 | | | | | | | |
| 14 | 3 | X9491034330 | BEARING | 1 | | | | | | | |
| 15 | 2 | X0286105010 | SHAFT ASSY | 1 | | | | | | | |
| 16 | 3 | X9491034320 | BEARING | 1 | | | | | | | |
| 17 | 2 | X0286305010 | GEAR | 3 | | | | | | | |
| 18 | 2 | X0286355010 | GEAR | 1 | | | | | | | |
| 19 | 2 | X0287405140 | LEVER | 1 | | | | | | | |
| 20 | 2 | X0534007800 | SWITCH ASSY | 1 | | | | | | | |
| 21 | 2 | X9055715000 | RING | 1 | | | | | | | |
| 22 | 2 | X9490721360 | RING | 1 | | | | | | | |
| 23 | 2 | X0280210331 | NUT | 1 | | | | | | | |
| 24 | 2 | X9490138110 | WASHER | 1 | | | | | | | |
| 25 | 2 | X9490138090 | WASHER | 1 | | | | | | | |
| 26 | 2 | X9490138100 | WASHER | 1 | | | | | | | |
| 27 | 2 | X0284525010 | PLATE | 1 | | | | | | | |
| 28 | 2 | X9490562360 | NUT | 1 | | | | | | | |
| 29 | 2 | X9490560750 | NUT | 2 | | | | | | | |
| 30 | 2 | X9490423520 | BOLT, THROUGH | 2 | | | | | | | |
| 32 | 2 | X9490065670 | SCREW, M4X6 | 2 | | | | | | | |
| 33 | 2 | X0280335360 | COVER, TERMINAL | 1 | | | | | | | |
| 34 | 2 | X1289510130 | NUT | 1 | | | | | | | |
| 35 | 1 | 26106-100452 | BOLT, M10X 45 PLATED | 2 | | | | | | | |

Remarks

(1)Loose parts.

Fig.15. GENERATOR



(A)=3TNM72-CATP
(B)=
(C)=

(D)=
(E)=
(F)=

| No. | Lev. | Parts No. | Description | Q'ty | | | | | | I | R |
|-----|------|--------------|----------------------|------|-----|-----|-----|-----|-----|---|---|
| | | | | (A) | (B) | (C) | (D) | (E) | (F) | | |
| 1 | 1 | 129423-77200 | GENERATOR, 12V-40A | 1 | | | | | | | |
| 2 | 2 | X9490561001 | NUT | 1 | | | | | | | |
| 3 | 2 | 119620-77380 | ROTOR ASSY | 1 | | | | | | | |
| 4 | 3 | 123501-79240 | BEARING, BALL | 1 | | | | | | | |
| 5 | 3 | 119620-79250 | COVER | 1 | | | | | | | |
| 6 | 2 | 119620-77421 | FRAME ASSY, DRIVE | 1 | | | | | | | |
| 7 | 3 | 119620-79200 | BEARING, BALL | 1 | | | | | | | |
| 8 | 3 | 119620-79210 | PLATE, RETAINER | 1 | | | | | | | |
| 9 | 3 | 119620-79220 | SCREW | 4 | | | | | | | |
| 10 | 3 | 119620-79230 | STUD | 2 | | | | | | | |
| 11 | 2 | 119620-77440 | FRAME ASSY | 1 | | | | | | | |
| 12 | 2 | 129240-79300 | COVER | 1 | | | | | | | |
| 13 | 2 | 119620-77461 | PULLEY | 1 | | | | | | | |
| 14 | 2 | 119620-77471 | NUT | 1 | | | | | | | |
| 15 | 2 | 119620-77490 | COLLAR | 1 | | | | | | | |
| 16 | 2 | 129423-77710 | REGULATOR ASSY | 1 | | | | | | | |
| 17 | 2 | 119620-79260 | HOLDER | 1 | | | | | | | |
| 18 | 2 | 129052-79270 | HOLDER, BRUSH | 1 | | | | | | | |
| 19 | 3 | 119620-77480 | BRUSH ASSY | 2 | | | | | | | |
| 20 | 3 | 119620-79280 | SPRING | 2 | | | | | | | |
| 21 | 2 | 119620-79290 | SCREW | 6 | | | | | | | |
| 22 | 2 | 119620-79300 | SCREW | 1 | | | | | | | |
| 23 | 2 | 119620-79310 | BOLT | 3 | | | | | | | |
| 24 | 2 | 119620-79320 | SCREW | 2 | | | | | | | |
| 25 | 2 | 119620-79330 | BOLT | 2 | | | | | | | |
| 26 | 2 | 119620-79340 | BUSH, INSULATION | 1 | | | | | | | |
| 27 | 2 | 119620-79350 | NUT | 2 | | | | | | | |
| 28 | 2 | 119620-79360 | WASHER, THRUST | 1 | | | | | | | |
| 29 | 1 | 26106-100402 | BOLT, M10X 40 PLATED | 1 | | | | | | | |
| 30 | 1 | 119125-77320 | ADJUSTER | 1 | | | | | | | |
| 31 | 1 | 124732-77340 | SPACER | 1 | | | | | | | |
| 32 | 1 | 129972-77341 | BOLT, ADJUSTER L=50 | 1 | | | | | | | |
| 33 | 1 | 26106-080202 | BOLT, M8X 20 PLATED | 1 | | | | | | | |

Parts No. Index

| Parts No. | Fig. No. | Ref. No. |
|--------------|----------|----------|
| 101304-59020 | 13 | 15 |
| 102103-55520 | 13 | 5 |
| 103854-39140 | 13 | 14 |
| 104200-55330 | 13 | 2 |
| 104200-55750 | 13 | 9 |
| 105010-11490 | 4 | 3 |
| 105230-59510 | 12 | 25 |
| 105425-01690 | 3 | 5 |
| 106760-01770 | 2 | 7 |
| 110250-55610 | 13 | 6 |
| 114250-39450 | 8 | 14 |
| 119000-59550 | 12 | 36 |
| 119025-01332 | 1 | 33 |
| 119025-01530 | 2 | 1 |
| 119025-01770 | 3 | 4 |
| 119025-14580 | 6 | 3 |
| 119025-21700 | 7 | 1 |
| 119025-22900 | 7 | 36 |
| 119025-25100 | 6 | 10 |
| 119025-34800 | 8 | 3 |
| 119025-35080 | 8 | 9 |
| 119025-42000 | 9 | 1 |
| 119025-42020 | 9 | 3 |
| 119025-42030 | 9 | 4 |
| 119025-59810 | 12 | 20 |
| 119025-59820 | 12 | 21 |
| 119025-59830 | 12 | 22 |
| 119027-01560 | 1 | 1 |
| 119028-55650 | 13 | 11 |
| 119125-01750 | 2 | 3 |
| 119125-01780 | 3 | 9 |
| 119125-01790 | 1 | 34 |
| 119125-01800 | 1 | 35 |
| 119125-01960 | 1 | 7 |
| 119125-01970 | 1 | 5 |
| 119125-02061 | 1 | 10 |
| 119125-02900 | 1 | 38 |
| 119125-02910 | 1 | 41 |
| 119125-02930 | 1 | 25 |
| 119125-02940 | 1 | 44 |
| 119125-21200 | 7 | 5 |
| 119125-21660 | 7 | 13 |
| 119125-25050 | 1 | 29 |
| 119125-25910 | 6 | 16 |
| 119125-25930 | 6 | 14 |
| 119125-32000 | 8 | 1 |
| 119125-34810 | 8 | 5 |
| 119125-34900 | 8 | 4 |
| 119125-39200 | 8 | 11 |
| 119125-39220 | 8 | 12 |

| Parts No. | Fig. No. | Ref. No. |
|--------------|----------|----------|
| 119125-51700 | 10 | 80 |
| 119125-51800 | 1 | 37 |
| 119125-59560 | 12 | 32 |
| 119125-59570 | 12 | 34 |
| 119125-77320 | 15 | 30 |
| 119125-77800 | 4 | 55 |
| 119125-77820 | 4 | 56 |
| 119127-21590 | 7 | 9 |
| 119127-42310 | 9 | 17 |
| 119131-18320 | 5 | 5 |
| 119209-35030 | 8 | 8 |
| 119285-11990 | 4 | 12 |
| 119305-35151 | 8 | 15 |
| 119515-01200 | 1 | 32 |
| 119515-11101 | 4 | 14 |
| 119515-11110 | 4 | 15 |
| 119515-11200 | 4 | 21 |
| 119515-11240 | 4 | 22 |
| 119515-11280 | 4 | 26 |
| 119515-11310 | 4 | 46 |
| 119515-11320 | 4 | 47 |
| 119515-11330 | 4 | 48 |
| 119515-11380 | 4 | 35 |
| 119515-11800 | 4 | 57 |
| 119515-13200 | 5 | 7 |
| 119515-14400 | 6 | 2 |
| 119515-22300 | 7 | 24 |
| 119515-23000 | 7 | 26 |
| 119515-23601 | 7 | 31 |
| 119515-23611 | 7 | 34 |
| 119515-42020 | 9 | 13 |
| 119515-53001 | 12 | 1 |
| 119515-53010 | 12 | 3 |
| 119515-59540 | 12 | 26 |
| 119515-77010 | 14 | 1 |
| 119517-11740 | 4 | 4 |
| 119517-22090 | 7 | 18 |
| 119517-22500 | 7 | 20 |
| 119527-61440 | 11 | 25 |
| 119534-61420 | 11 | 22 |
| 119600-11460 | 4 | 2 |
| 119609-22950 | 7 | 38 |
| 119620-01620 | 1 | 15 |
| 119620-02450 | 6 | 4 |
| 119620-14200 | 6 | 1 |
| 119620-21500 | 7 | 8 |
| 119620-59700 | 12 | 38 |
| 119620-77380 | 15 | 3 |
| 119620-77421 | 15 | 6 |
| 119620-77440 | 15 | 11 |

| Parts No. | Fig. No. | Ref. No. |
|--------------|----------|----------|
| 119620-77461 | 15 | 13 |
| 119620-77471 | 15 | 14 |
| 119620-77480 | 15 | 19 |
| 119620-77490 | 15 | 15 |
| 119620-79200 | 15 | 7 |
| 119620-79210 | 15 | 8 |
| 119620-79220 | 15 | 9 |
| 119620-79230 | 15 | 10 |
| 119620-79250 | 15 | 5 |
| 119620-79260 | 15 | 17 |
| 119620-79280 | 15 | 20 |
| 119620-79290 | 15 | 21 |
| 119620-79300 | 15 | 22 |
| 119620-79310 | 15 | 23 |
| 119620-79320 | 15 | 24 |
| 119620-79330 | 15 | 25 |
| 119620-79340 | 15 | 26 |
| 119620-79350 | 15 | 27 |
| 119620-79360 | 15 | 28 |
| 119621-21681 | 7 | 14 |
| 119653-77950 | 11 | 123 |
| 119685-42281 | 9 | 9 |
| 119717-01800 | 2 | 4 |
| 119717-03031 | 4 | 36 |
| 119717-03070 | 4 | 37 |
| | | 38 |
| 119717-11131 | 4 | 16 |
| 119717-11190 | 4 | 18 |
| 119717-11260 | 4 | 25 |
| 119717-11340 | 4 | 19 |
| 119717-11350 | 4 | 20 |
| 119717-11650 | 4 | 27 |
| 119717-13110 | 5 | 2 |
| 119717-13600 | 5 | 3 |
| 119717-23200 | 7 | 30 |
| 119717-23910 | 7 | 33 |
| 119717-35140 | 8 | 6 |
| 119717-49800 | 9 | 22 |
| 119717-51150 | 6 | 15 |
| 119717-51420 | 10 | 28 |
| 119717-51711 | 10 | 81 |
| 119717-51750 | 10 | 82 |
| 119717-51761 | 10 | 83 |
| 119717-51860 | 10 | 95 |
| 119717-51930 | 11 | 2 |
| 119717-61050 | 11 | 3 |
| 119717-61070 | 11 | 4 |
| 119718-13100 | 5 | 1 |
| 119734-02220 | 1 | 36 |
| 119740-42350 | 9 | 16 |

| Parts No. | Fig. No. | Ref. No. |
|--------------|----------|----------|
| 119761-61060 | 11 | 90 |
| 119802-03100 | 4 | 39 |
| 119802-03110 | 4 | 40 |
| 119802-03121 | 4 | 41 |
| 119802-03131 | 4 | 42 |
| 119802-03141 | 4 | 43 |
| 119810-55340 | 13 | 3 |
| 119810-55650 | 13 | 8 |
| 119833-55621 | 13 | 1 |
| 119840-59570 | 12 | 37 |
| 119C10-21930 | 7 | 15 |
| 119C10-21940 | 7 | 16 |
| 119D00-01660 | 3 | 2 |
| 121023-01551 | 2 | 9 |
| 121250-44901 | 9 | 26 |
| 121250-55620 | 13 | 7 |
| 121254-55510 | 13 | 4 |
| 121450-42450 | 9 | 25 |
| 122710-51090 | 10 | 9 |
| 123501-79240 | 15 | 4 |
| 124060-01050 | 1 | 14 |
| 124060-21600 | 7 | 12 |
| 124066-59100 | 12 | 35 |
| 124160-01751 | 4 | 34 |
| 124450-44740 | 9 | 18 |
| 124465-44950 | 9 | 27 |
| | | 28 |
| 124574-44761 | 9 | 19 |
| 124732-77340 | 15 | 31 |
| 124766-59050 | 12 | 24 |
| | | 13 |
| | | 17 |
| 129052-79270 | 15 | 18 |
| 129100-01580 | 3 | 1 |
| | | 7 |
| | | 2 |
| 129100-52200 | 10 | 99 |
| 129150-11230 | 4 | 28 |
| 129150-11750 | 4 | 30 |
| 129150-25301 | 6 | 13 |
| 129150-59120 | 12 | 15 |
| 129150-59131 | 12 | 18 |
| 129155-51020 | 10 | 6 |
| 129155-51280 | 10 | 19 |
| 129155-51400 | 10 | 26 |
| 129155-51580 | 10 | 47 |
| 129155-52051 | 10 | 98 |
| 129155-61460 | 11 | 76 |
| 129210-59140 | 12 | 23 |
| 129210-59230 | 13 | 16 |
| 129240-79300 | 15 | 12 |
| 129255-61410 | 11 | 21 |

Parts No. Index

| Parts No. | Fig. No. | Ref. No. |
|--------------|----------|----------|
| 129350-49530 | 9 | 21 |
| 129423-77200 | 15 | 1 |
| 129423-77710 | 15 | 16 |
| 129508-11180 | 4 | 17 |
| 129555-59511 | 13 | 18 |
| 129900-32040 | 1 | 31 |
| 129901-11450 | 4 | 1 |
| 129901-53800 | 12 | 4 |
| 129901-59560 | 12 | 33 |
| 129972-77341 | 15 | 32 |
| 129E00-13610 | 5 | 4 |
| 158552-61900 | 11 | 77 |
| 158600-51410 | 10 | 27 |
| 158600-51420 | 10 | 29 |
| 158600-51570 | 10 | 46 |
| 158600-51790 | 10 | 84 |
| 171056-49120 | 9 | 24 |
| 22190-100002 | 11 | 81 |
| 22190-120002 | 12 | 39 |
| | 13 | 19 |
| 22190-160002 | 3 | 8 |
| | 10 | 86 |
| 22217-120000 | 10 | 87 |
| 22242-000120 | 4 | 31 |
| 22252-000220 | 7 | 25 |
| 22351-050010 | 10 | 88 |
| 22351-060012 | 1 | 28 |
| 22372-040000 | 11 | 83 |
| 22512-040120 | 7 | 6 |
| 22512-050120 | 7 | 17 |
| 22857-500100 | 4 | 49 |
| | | 50 |
| 22857-500160 | 4 | 51 |
| 23876-005000 | 1 | 11 |
| | 4 | 13 |
| 24311-000180 | 2 | 8 |
| 24311-000320 | 4 | 52 |
| 24311-240100 | 13 | 10 |
| 24341-000240 | 2 | 10 |
| 26014-080702 | 13 | 12 |
| 26022-050122 | 10 | 92 |
| 26106-060102 | 8 | 10 |
| | 11 | 85 |
| 26106-060122 | 6 | 9 |
| | 8 | 13 |
| 26106-060142 | 8 | 2 |
| | 11 | 86 |
| 26106-060202 | 4 | 53 |
| | 9 | 20 |
| | 11 | 87 |

| Parts No. | Fig. No. | Ref. No. |
|--------------|----------|----------|
| 26106-060402 | 1 | 30 |
| 26106-060452 | 11 | 88 |
| 26106-060752 | 4 | 54 |
| 26106-080122 | 9 | 14 |
| 26106-080162 | 13 | 13 |
| 26106-080202 | 9 | 23 |
| | 15 | 33 |
| 26106-080352 | 2 | 5 |
| 26106-080402 | 4 | 33 |
| 26106-080452 | 2 | 6 |
| | | 11 |
| | 9 | 15 |
| 26106-100402 | 15 | 29 |
| 26106-100452 | 14 | 35 |
| 26206-100202 | 3 | 3 |
| 26306-080002 | 5 | 6 |
| 26577-060122 | 9 | 11 |
| 26716-120002 | 10 | 94 |
| 26756-060002 | 11 | 89 |
| 26979-050162 | 4 | 32 |
| 27241-300000 | 1 | 12 |
| 27241-450000 | 1 | 13 |
| 719025-51320 | 10 | 1 |
| X0280210331 | 14 | 23 |
| X0280335360 | 14 | 33 |
| X0280626010 | 14 | 12 |
| X0280996180 | 14 | 3 |
| X0281007680 | 14 | 2 |
| X0282005871 | 14 | 6 |
| X0283006960 | 14 | 7 |
| X0284105040 | 14 | 13 |
| X0284525010 | 14 | 27 |
| X0285007030 | 14 | 10 |
| X0285105190 | 14 | 4 |
| X0285205030 | 14 | 5 |
| X0286105010 | 14 | 15 |
| X0286305010 | 14 | 17 |
| X0286355010 | 14 | 18 |
| X0287405140 | 14 | 19 |
| X0534007800 | 14 | 20 |
| X1289510130 | 14 | 34 |
| X4284001590 | 14 | 8 |
| X9055715000 | 14 | 21 |
| X9490065670 | 14 | 32 |
| X9490138090 | 14 | 25 |
| X9490138100 | 14 | 26 |
| X9490138110 | 14 | 24 |
| X9490423520 | 14 | 30 |
| X9490560750 | 14 | 29 |
| X9490561001 | 15 | 2 |

| Parts No. | Fig. No. | Ref. No. |
|-------------|----------|----------|
| X9490562360 | 14 | 28 |
| X9490721360 | 14 | 22 |
| X9491034320 | 14 | 16 |
| X9491034330 | 14 | 14 |
| X9491040990 | 14 | 11 |
| X9491050100 | 14 | 9 |

| Parts No. | Fig. No. | Ref. No. |
|-----------|----------|----------|
|-----------|----------|----------|