

0CV10-M57100EN

P R E F A C E

1. This Parts Catalog carries all parts incorporated in YANMAR Model 2TNE68 - BL2 engine manufactured since February, 1998.
2. Each illustration corresponds to the parts list on the following page.
3. When ordering parts, clearly write down the engine model and serial number, as well as the name and number of each part in your order sheet. This will help insure reliable delivery of the parts you have ordered.

Directions for the Parts Catalog.

- The parts stipulated in this Parts Catalog are not necessarily standard equipped parts.
- Parts may change without prior notice.
- The following is an example of the Parts Catalog format.

REF.	LEV.	PARTS NO.	DESCRIPTION	Q'TY						I	R
				(A)	(B)	(C)	(D)	(E)	(F)		
1	1	729595-51390	FUEL INJECTION PUMP	1	1	1	1	1			1
1-1	1	729595-51391	FUEL INJECTION PUMP	1	1	1	1	1		N	1
		(A=E00185) (B=E00200)									
3	2	26022-060162	SCREW M 6X 16	9	9	9	9	9			
3-1	2	26022-060162	SCREW M 6X 16	4	4	4	4	4		K	
		(A=E00156) (B=E00156) (C=E00156) (D=E00156) (E=E00156)									
4	2	129470-51040	CAMSHAFT	1	1	1	1	1			
5	2	122710-51050	BEARING, ROLLER	2	2	2	2	2			
6	2	129470-51060	RETAINER	1	1	1	1	1			

Remarks
(1) BOOST COMPEMSATOR TYPE. OPTIONAL PART, TO E00155,(4JH-DT, 4JH-DTZ

① Ref. No.

The Ref. No. listed may not be in accordance with the illustration Ref. No.

(Ex.) Illustration No.

List Ref No.

1 1 (Before change) → 1-1 (After change)

For interchangeable symbols N, R and K, illustrations for new parts may be abbreviated.

② Lev. (Level)

Level indication

The numbers below indicate the level of relativity towards the main part.

1 ---- Main parts (Assembly parts)

2 ---- Sub component included in " 1 ".

3 ---- Sub component included in " 2 ".

Note) Parts that are not for sale are partially illustrated but not listed.

③ Interchangeability Mark

When a part change takes place, one of the following interchangeability symbols is indicated beside the part.

Symbol	Interchangeability	Contents note
N	Old $\begin{matrix} \leftarrow \text{Yes} \\ \text{No} \rightarrow \end{matrix}$ New	New Part is interchangeable for Old Part but Old Part is not interchangeable for New Part.
Q	Old $\begin{matrix} \leftarrow \text{No} \\ \text{Yes} \rightarrow \end{matrix}$ New	New Part is not interchangeable for Old Part but Old Part is interchangeable for New Part.
R	Old $\begin{matrix} \leftarrow \text{Yes} \\ \text{Yes} \rightarrow \end{matrix}$ New	New/ Old Parts are both interchangeable.
S	Old $\begin{matrix} \leftarrow \text{No} \\ \text{No} \rightarrow \end{matrix}$ New	New/ Old Parts are both not interchangeable.
W		Part newly added.
Z		Part discontinued.
F		Not interchangeable by a single part but interchangeable together with related parts.
K		Changes only for used parts quantities.

④ Effective Machine No.

When a part changes, the effective Machine No. will be indicated in the (A)-(F) column.

Product Symbol	Product No.	Product Symbol	Product No.
C	Clutch No. Compressor No.	F	Machine No. (Agricultural Equip.)
D	Drive No.	M	Machine No.
E	Engine No.		

Note 1) A date may follow the symbol. (Ex.) 1996.01

Note 2) "XXXXX" and "ZZZZZ" are for parts that could not be predicted or for engine models that could not be identified.

Note 3) (A=E00185) is the E (Engine Serial Number) for the column (A) model (in this case 4JH-DT) after the parts design change.

⑤ Remarks Mark

Figures or alphabets (symbols) are entered in the remarks column.

The comments (remarks) on parts that are indicated at the bottom of the illustration are the same symbols as those stated above.

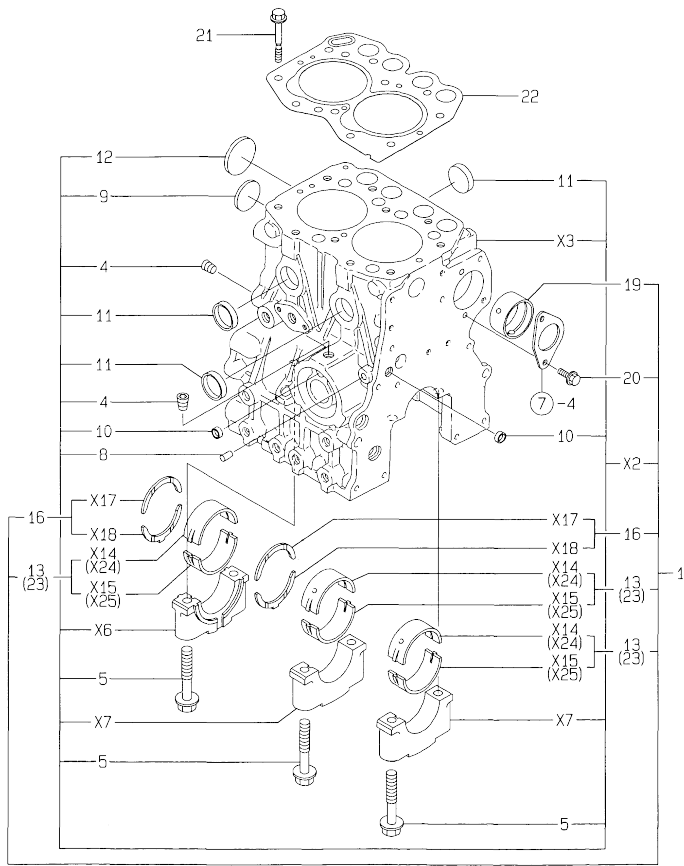
Contents

Fig. No.	Fig. Name	Fig. No.	Fig. Name
2TNE68-BL2(BELLIER)			
1.	CYLINDER BLOCK		
2.	GEAR HOUSING		
3.	OIL SUMP		
4.	CYLINDER HEAD & BONNET		
5.	SUCTION MANIFOLD		
6.	EXHAUST MANIFOLD		
7.	CAMSHAFT & DRIVING GEAR		
8.	CRANKSHAFT & PISTON		
9.	LUB.OIL SYSTEM		
10.	COOLING WATER SYSTEM		
11.	FUEL INJECTION PUMP		
12.	GOVERNOR		
13.	FUEL INJECTION VALVE		
14.	FUEL LINE		
15.	STARTING MOTOR		
16.	GENERATOR		
17.	GASKET SET		

OCV10-M57100

Fig.1. CYLINDER BLOCK

1. CYLINDER BLOCK



Remarks
 (1) UNDER-SIZE(U.S=0.25)PART.

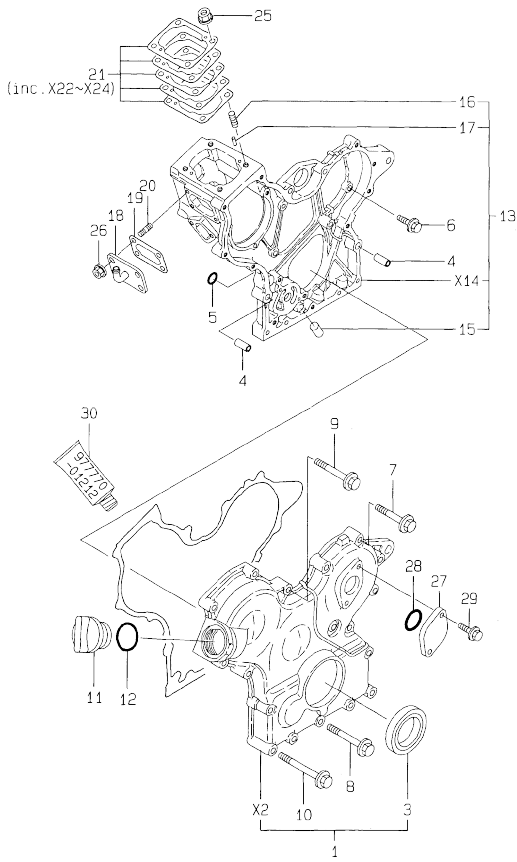
No.	Lev.	Parts No.	Description	Q'ty						I	R	
				(A)	(B)	(C)	(D)	(E)	(F)			
1	1	719325-01560	BLOCK ASSY, CYLINDER	1								
4	3	124060-01050	PLUG, PT1/8	2								
5	3	119260-02020	BOLT, METAL CAP	6								
8	3	27221-060100	PLUG, 6X10	1								
9	3	27231-400000	PLUG 40	1								
10	3	27241-100000	PLUG, 10	2								
11	3	27241-250000	PLUG, 25	3								
12	3	27241-300000	PLUG 30	1								
13	2	119260-02800	BEARING, MAIN	3								
16	2	119260-02930	BEARING, THRUST	2								
19	2	119266-02410	BUSH	1								
20	2	26106-060122	BOLT, M6X 12 PLATED	2								
21	1	119266-01200	BOLT, HEAD	10								
22	1	119309-01330	GASKET, CYL. HEAD	1								
23	1	719260-02870	BEARING, 0.25 US	3								1

N:Old $\frac{100}{100}$ New, Q:Old $\frac{100}{100}$ New, R:Old $\frac{100}{100}$ New, S:Old $\frac{100}{100}$ New, W:Add, Z:Discontinued, F:Interchangeable by set, K:Qty Change
 Copyright (C) YANMAR CO., LTD. All Rights Reserved.

OCV10-M57100

Fig.2. GEAR HOUSING

2.GEAR HOUSING



(A)=2TNE68-BL2
(B)=
(C)=

(D)=
(E)=
(F)=

No.	Lev.	Parts No.	Description	Q'ty						I	R
				(A)	(B)	(C)	(D)	(E)	(F)		
1	1	119260-01590	COVER ASSY,GEAR CASE	1							
3	2	119620-01800	SEAL, OIL	1							
4	1	119660-01911	PIPE, KNOCK	4							
5	1	24311-000120	O-RING, 1AP12.0	2							
6	1	26106-060162	BOLT, M6X 16 PLATED	5							
7	1	26106-060302	BOLT, M6X 30 PLATED	5							
8	1	26106-060402	BOLT, M6X 40 PLATED	3							
9	1	26106-060502	BOLT, M6X 50 PLATED	4							
10	1	26106-060652	BOLT, M6X 65 PLATED	6							
11	1	124160-01751	COVER, FILLER	1							
12	1	24311-000320	O-RING, 1AP32.0	1							
13	1	119305-01490	CASE ASSY, GEAR	1							
15	2	119260-01510	PLUG	1							
16	2	121450-01560	STUD, M8X22	4							
17	2	22351-040010	PIN, SPRING 4.0X10	2							
18	1	119309-01550	COVER ASSY	1							
19	1	119660-01562	GASKET	1							
20	1	119660-01570	STUD, M6X12	4							
21	1	119305-01950	SHIM SET, ADJUSTING	1							
25	1	194990-22050	NUT, M8	4							
26	1	26366-060002	NUT, M6	4							
27	1	121023-01550	COVER	1							
28	1	24341-000240	O-RING, 1AS24.0	1							
29	1	26106-060182	BOLT, M6X 18 PLATED	2							
30	1	977770-01212	GASKET, LIQUID	1							1

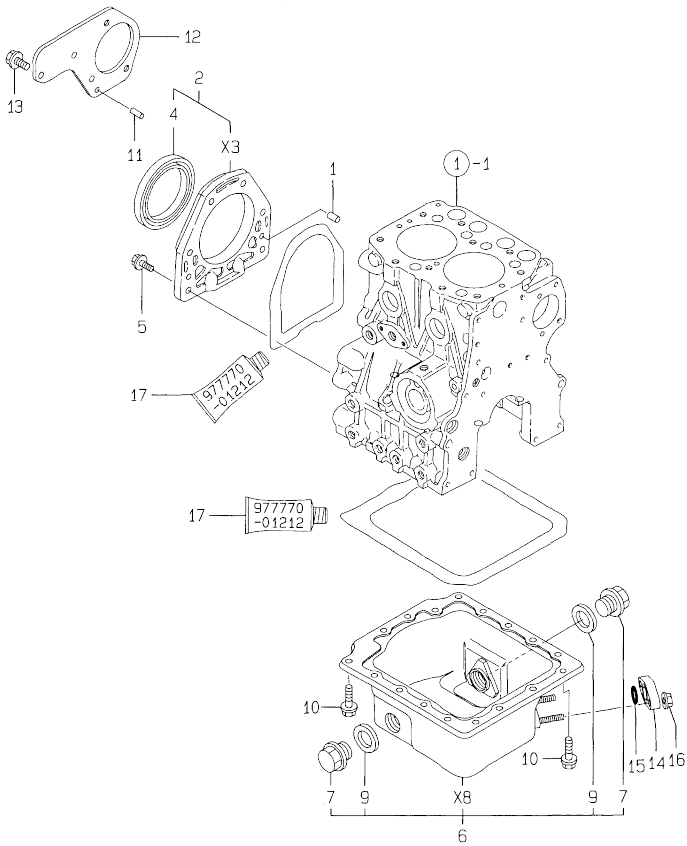
Remarks
(1) OPTIONAL PART.

N:Old $\frac{100}{100}$ New, Q:Old $\frac{100}{100}$ New, R:Old $\frac{100}{100}$ New, S:Old $\frac{100}{100}$ New, W:Add, Z:Discontinued, F:Interchangeable by set, K:Q'ty Change
Copyright (C) YANMAR CO., LTD. All Rights Reserved.

OCV10-M57100

Fig.3. OIL SUMP

3. OIL SUMP



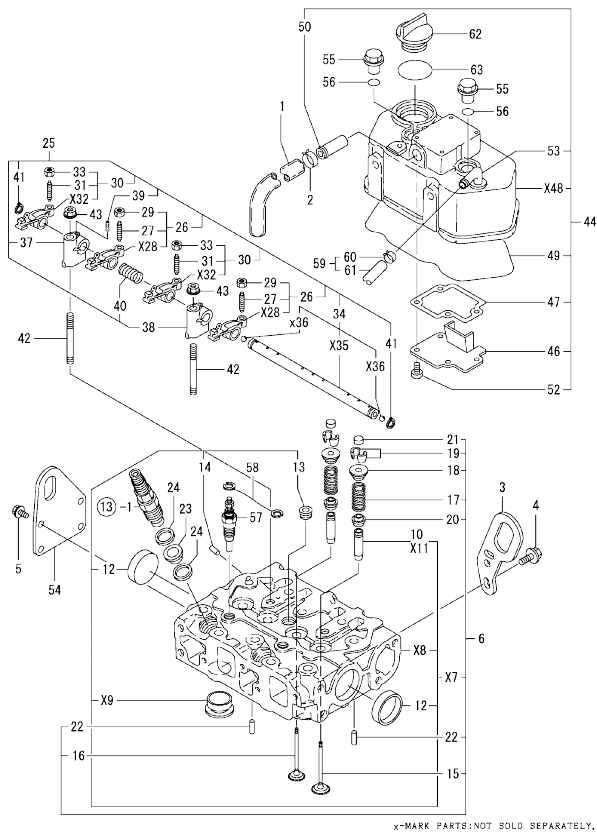
No.	Lev.	Parts No.	Description	Q'ty						I	R
				(A)	(B)	(C)	(D)	(E)	(F)		
1	1	119620-01620	PIN, M6X10	2							
2	1	719620-01650	CASE ASSY, OIL SEAL	1							
4	2	124085-02220	SEAL, OIL	1							
5	1	26106-060222	BOLT, M6X 22 PLATED	6							
6	1	119520-01771	SUMP ASSY, OIL	1							
6-1	1	119520-01772	SUMP ASSY, OIL	1							R
(A=*2009.09.)											
7	2	119640-01640	PLUG, DRAIN M22	2							
9	2	22190-220002	WASHER, SEAL 22	2							
10	1	26106-060102	BOLT, M6X 10 PLATED	17							
11	1	129100-01580	PIN, M8X16	1							
12	1	124195-01600	BRACKET, STARTER	1							
13	1	26206-100202	BOLT, M10X 20 PLATED	3							
14	1	119520-01750	COVER, OIL SUMP	1							
15	1	24311-000150	O-RING, 1AP15.0	1							
16	1	26366-060002	NUT, M6	2							
17	1	977770-01212	GASKET, LIQUID	1							1

Remarks
(1) OPTIONAL PART.

N:Old $\frac{100}{100}$ New, Q:Old $\frac{100}{100}$ New, R:Old $\frac{100}{100}$ New, S:Old $\frac{100}{100}$ New, W:Add, Z:Discontinued, F:Interchangeable by set, K:Qty Change
Copyright (C) YANMAR CO., LTD. All Rights Reserved.

OCV10-M57100

Fig.4. CYLINDER HEAD & BONNET



x-MARK PARTS: NOT SOLD SEPARATELY.

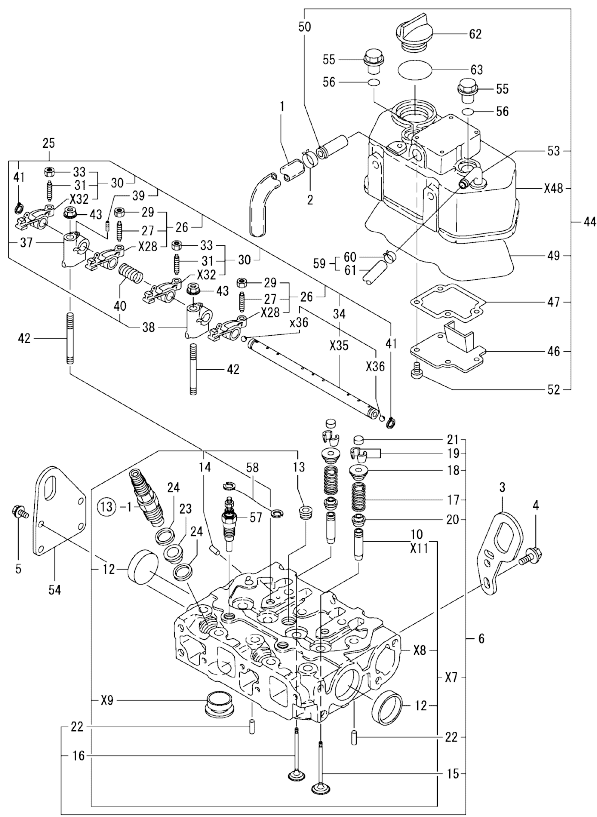
Remarks
(1) REPAIR PART.

No.	Lev.	Parts No.	Description	Q'ty						I	R
				(A)	(B)	(C)	(D)	(E)	(F)		
1	1	119285-03140	PIPE, BREATHER	1							
2	1	171008-03990	CLIP, HOSE 18.5	2							
3	1	119260-07900	LIFTER	1							
4	1	26106-080142	BOLT, M8X 14 PLATED	1							
5	1	26106-060122	BOLT, M6X 12 PLATED	4							
6	1	719325-11700	HEAD ASSY, CYLINDER	1							
10	3	119260-11800	GUIDE, VALVE	4							1
12	3	27241-350000	PLUG, 35	2							
13	3	23871-020000	PLUG, R02	1							
14	3	27221-050080	PLUG, 5X 8	1							
15	2	119260-11100	VALVE, INTAKE	2							
16	2	119260-11110	VALVE, EXHAUST	2							
17	2	114250-11120	SPRING, VALVE	4							
18	2	114250-11180	RETAINER, SPRING	4							
19	2	27310-055000	COTTER	8							
20	2	119260-11340	SEAL, VALVE STEM	4							
21	2	119260-11370	CAP, VALVE	4							
22	2	22351-060012	PIN, SPRING 6.0X12	2							
23	1	119600-11450	PROTECTOR, NOZZLE	2							
24	1	119600-11460	GASKET, NOZZLE	4							
25	1	119305-11200	SUPPORT ASSY, ARM	1							
26	2	719260-11650	ARM ASSY, ROCKER	2							
27	3	105010-11230	SCREW, VALVE ADJUST	2							
29	3	26756-060002	NUT, LOCK M6	2							
30	2	719260-11660	ARM ASSY, ROCKER	2							
31	3	105010-11230	SCREW, VALVE ADJUST	2							
33	3	26756-060002	NUT, LOCK M6	2							
34	2	119305-11240	SHAFT ASSY, ROCKER	1							
37	2	119260-11260	SUPPORT, ROCKER ARM	1							
38	2	119265-11260	SUPPORT, ROCKER ARM	1							
39	2	119260-11270	SCREW	1							
40	2	119260-11280	SPRING	1							
41	2	22242-000100	RING, 10	2							
42	1	119620-11350	STUD	2							
43	1	26366-080002	NUT, M8	2							
44	1	119309-11331	BONNET ASSY, HEAD	1							
46	2	119305-03020	PLATE, SHELTER	1							
47	2	119305-03031	GASKET	1							
49	2	124097-11311	GASKET, BONNET	1							
50	2	124097-11390	JOINT	1							
52	2	22857-500100	SCREW, 5X10	4							
53	2	119309-03150	JOINT	1							
54	1	119632-07900	LIFTER	1							
55	1	124160-11360	KNOB	2							
56	1	24311-000120	O-RING, 1AP12.0	2							
57	1	129795-77800	PLUG, GLOW	2							
58	1	119305-77820	CONNECTOR, GLOW PLUG	1							
59	1	119520-03090	PIPE ASSY	1							
60	2	119520-03990	CLIP, HOSE 10.5	2							
61	2	121400-77701	PIPE, FUEL D11X280	1							
62	1	124160-01751	COVER, FILLER	1							

N:Old $\frac{100}{100}$ New, Q:Old $\frac{100}{100}$ New, R:Old $\frac{100}{100}$ New, S:Old $\frac{100}{100}$ New, W:Add, Z:Discontinued, F:Interchangeable by set, K:Q'ty Change
 ++ CONTINUE ++ Copyright (C) YANMAR CO., LTD. All Rights Reserved.

OCV10-M57100

Fig.4. CYLINDER HEAD & BONNET



x-MARK PARTS: NOT SOLD SEPARATELY.

Remarks
(1) REPAIR PART.

No.	Lev.	Parts No.	Description	Q'ty						I	R
				(A)	(B)	(C)	(D)	(E)	(F)		
63	1	24311-000320	O-RING, 1AP32.0	1							

(A)=2TNE68-BL2
(B)=
(C)=

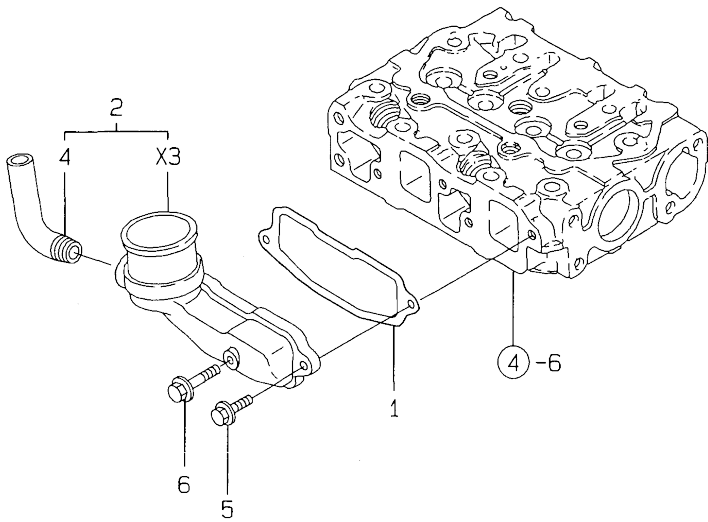
(D)=
(E)=
(F)=

N:Old $\frac{100}{100}$ New. Q:Old $\frac{100}{100}$ New. R:Old $\frac{100}{100}$ New. S:Old $\frac{100}{100}$ New. W:Add. Z:Discontinued. F:Interchangeable by set. K:Q'ty Change
Copyright (C) YANMAR CO., LTD. All Rights Reserved.

OCV10-M57100

Fig.5. SUCTION MANIFOLD

5.SUCTION MANIFOLD



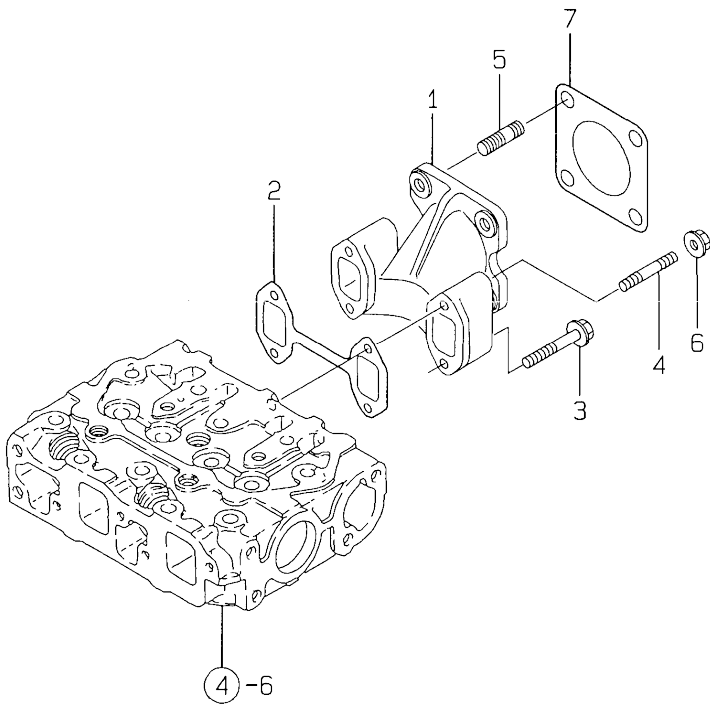
No.	Lev.	Parts No.	Description	Q'ty						I	R
				(A)	(B)	(C)	(D)	(E)	(F)		
1	1	119305-12160	GASKET, MANIFOLD	1							
2	1	119385-12730	MANIFOLD ASSY,INTAKE	1							
4	2	121500-12790	JOINT, PIPE PT1/4	1							
5	1	26106-060162	BOLT, M6X 16 PLATED	2							
6	1	26106-060282	BOLT, M6X 28 PLATED	1							

N:Old $\frac{Y00}{100}$ New, Q:Old $\frac{H0}{100}$ New, R:Old $\frac{Y00}{100}$ New, S:Old $\frac{H0}{100}$ New, W:Add, Z:Discontinued, F:Interchangeable by set, K:Q'ty Change
 Copyright (C) YANMAR CO., LTD. All Rights Reserved.

OCV10-M57100

Fig.6. EXHAUST MANIFOLD

6. EXHAUST MANIFOLD

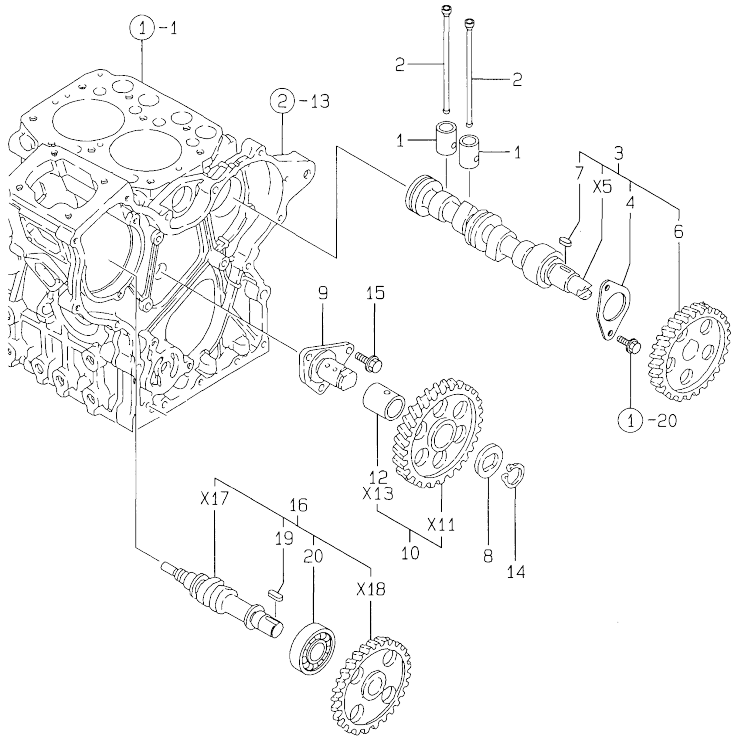


No.	Lev.	Parts No.	Description	Q'ty						I	R
				(A)	(B)	(C)	(D)	(E)	(F)		
1	1	119305-13100	MANIFOLD, EXHAUST	1							
2	1	119305-13110	GASKET	1							
3	1	26106-060402	BOLT, M6X 40 PLATED	2							
4	1	26216-060402	STUD, M6X 40	2							
5	1	119131-18320	STUD, M8X22	4							
6	1	26366-060002	NUT, M6	2							
7	1	121000-13201	GASKET, SILENCER	1							

OCV10-M57100

Fig.7. CAMSHAFT & DRIVING GEAR

7. CAMSHAFT & DRIVING GEAR



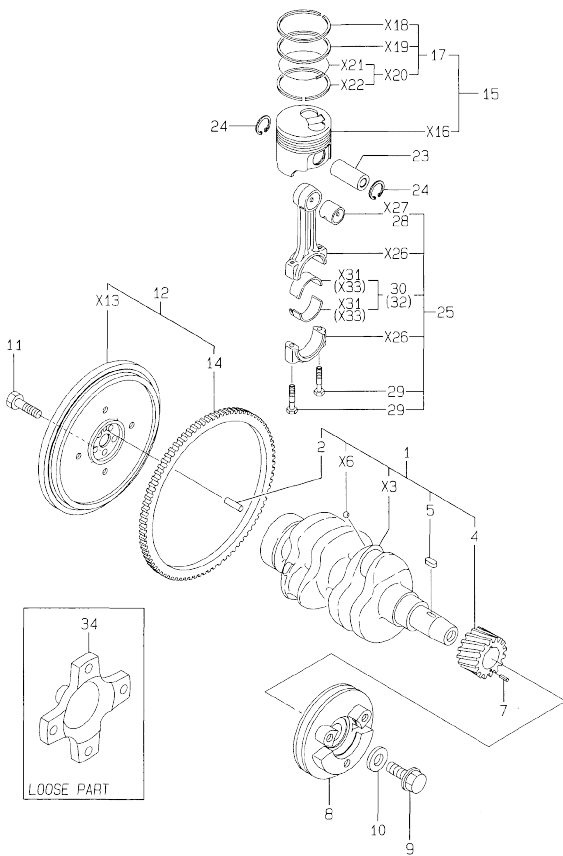
No.	Lev.	Parts No.	Description	Q'ty						I	R
				(A)	(B)	(C)	(D)	(E)	(F)		
1	1	119260-14200	TAPPET	4							
2	1	119260-14400	ROD, PUSH	4							
3	1	119305-14580	CAMSHAFT ASSY	1							
4	2	119620-02450	BEARING, THRUST	1							
6	2	119260-14100	GEAR, CAMSHAFT	1							
7	2	22512-040120	KEY, 4X 12	1							
8	1	119660-25022	RETAINER	1							
9	1	119660-25052	SHAFT, IDLE	1							
10	1	119260-25100	GEAR ASSY, IDLE	1							
12	2	119620-25912	BUSH	1							1
14	1	22242-000200	RING, 20	1							
15	1	26106-060122	BOLT, M6X 12 PLATED	3							
16	1	119305-14200	CAM ASSY	1							
19	2	22512-040120	KEY, 4X 12	1							
20	2	24102-063034	BEARING, BALL 6303U	1							

Remarks
(1) REPAIR PART.

N:Old $\frac{100}{100}$ New, Q:Old $\frac{100}{100}$ New, R:Old $\frac{100}{100}$ New, S:Old $\frac{100}{100}$ New, W:Add, Z:Discontinued, F:Interchangeable by set, K:Q'ty Change
Copyright (C) YANMAR CO., LTD. All Rights Reserved.

Fig.8. CRANKSHAFT & PISTON

8. CRANKSHAFT & PISTON



(A)=2TNE68-BL2
(D)=
(E)=
(F)=

No.	Lev.	Parts No.	Description	Q'ty						I	R
				(A)	(B)	(C)	(D)	(E)	(F)		
1	1	119309-21700	CRANKSHAFT ASSY	1							
2	2	129100-01580	PIN, M8X16	1							
4	2	119260-21200	GEAR, CRANKSHAFT	1							
5	2	22512-040120	KEY, 4X 12	1							
7	1	22351-030010	PIN, SPRING 3.0X10	1							
8	1	119325-21670	V-PULLEY	1							
9	1	119621-21680	BOLT, FLANGE 12X1.25	1							
10	1	119620-21941	WASHER	1							
11	1	119620-21500	BOLT, FLYWHEEL	5							
12	1	119520-21591	FLYWHEEL ASSY	1							
14	2	119260-21600	GEAR, RING	1							
15	1	119265-22601	PISTON ASSY	2							
17	2	119265-22500	RING SET, PISTON	2							
23	1	119265-22300	PIN, PISTON	2							
24	1	22252-000200	RING, 20	4							
25	1	119265-23100	ROD ASSY, CONNECTING	2							
28	2	119260-23910	BEARING, PISTON PIN	2							1
29	2	119265-23200	BOLT, CONNECTING ROD	4							
30	2	719260-23600	BEARING, CRANK PIN	2							
32	1	719260-23610	BEARING ASSY, 0.25	2							2
34	1	119520-21930	SHAFT, STUB	1							

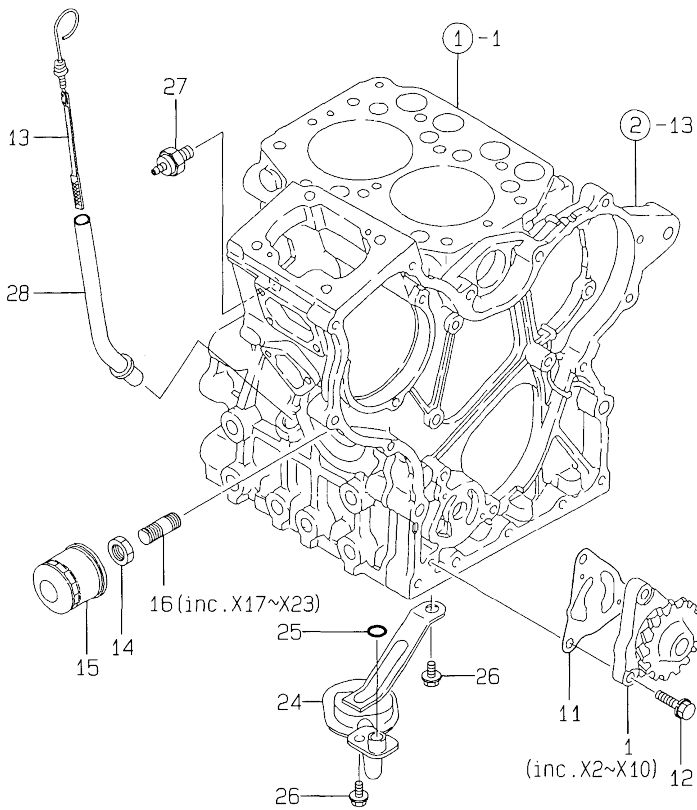
Remarks

- (1) REPAIR PART.
- (2) UNDER-SIZE(U.S=0.25)PART.

OCV10-M57100

Fig.9. LUB.OIL SYSTEM

9.LUB.OIL SYSTEM

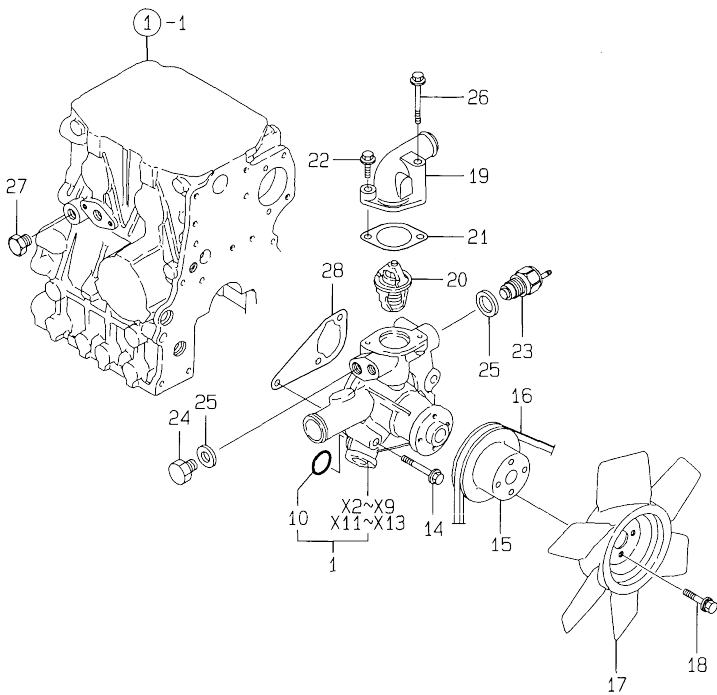


No.	Lev.	Parts No.	Description	Q'ty					
				(A)	(B)	(C)	(D)	(E)	(F)
1	1	119260-32000	PUMP ASSY, OIL	1					
11	1	119660-32020	GASKET, PUMP	1					
12	1	26450-060202	BOLT, M6X 20	3					
13	1	119520-34820	DIPSTICK, OIL	1					
14	1	129150-35350	NUT	1					
15	1	119305-35150	FILTER, OIL	1					
16	1	119225-35300	VALVE ASSY,OIL PRESS	1					
24	1	119385-35090	PIPE ASSY, OIL INLET	1					
25	1	119209-35030	O-RING, P11	1					
26	1	26106-060122	BOLT, M6X 12 PLATED	2					
27	1	121252-39450	SWITCH, 0.5KG	1					
28	1	119520-34890	GUIDE, DIPSTICK	1					

N:Old $\frac{100}{100}$ New, Q:Old $\frac{100}{100}$ New, R:Old $\frac{100}{100}$ New, S:Old $\frac{100}{100}$ New, W:Add, Z:Discontinued, F:Interchangeable by set, K:Q'ty Change
Copyright (C) YANMAR CO., LTD. All Rights Reserved.

Fig.10. COOLING WATER SYSTEM

10. COOLING WATER SYSTEM

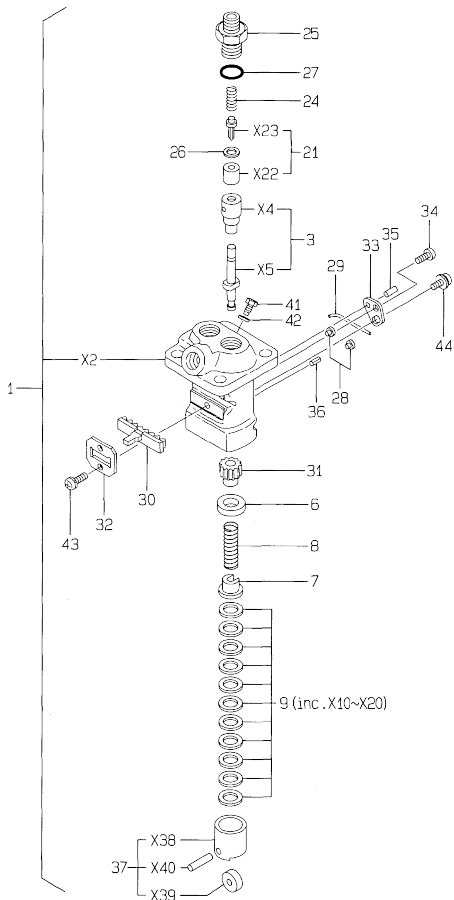


No.	Lev.	Parts No.	Description	Q'ty						I	R
				(A)	(B)	(C)	(D)	(E)	(F)		
1	1	119520-42000	PUMP ASSY, WATER	1							
10	2	24311-000210	O-RING, 1AP21.0	2							
14	1	26106-080452	BOLT, M8X 45 PLATED	3							
15	1	119620-42350	V-PULLEY	1							
16	1	129430-42290	V-BELT, FM32.5	1							
17	1	119332-44740	FAN, COOLING D260X5	1							
18	1	26014-060142	BOLT, M6X 14	4							
19	1	124101-49530	COVER, THERMOSTAT	1							
20	1	119621-49800	THERMOSTAT	1							
21	1	129795-49551	GASKET	1							
21-1	1	129350-49541	GASKET	1							R
(A=2009.10)											
22	1	26106-080282	BOLT, M8X 28 PLATED	1							
23	1	121250-44901	SWITCH, 110	1							
24	1	121450-42450	PLUG, M16	1							
25	1	124465-44950	GASKET, 16	2							
26	1	26106-080652	BOLT, M8X 65 PLATED	1							
27	1	171056-49120	PLUG, DRAIN	1							
28	1	119260-42020	GASKET, WATER PUMP	1							

N:Old $\frac{New}{Old}$ New, Q:Old $\frac{New}{Old}$ New, R:Old $\frac{New}{Old}$ New, S:Old $\frac{New}{Old}$ New, W:Add, Z:Discontinued, F:Interchangeable by set, K:Q'ty Change
 Copyright (C) YANMAR CO., LTD. All Rights Reserved.

Fig.11. FUEL INJECTION PUMP

11.FUEL INJECTION PUMP



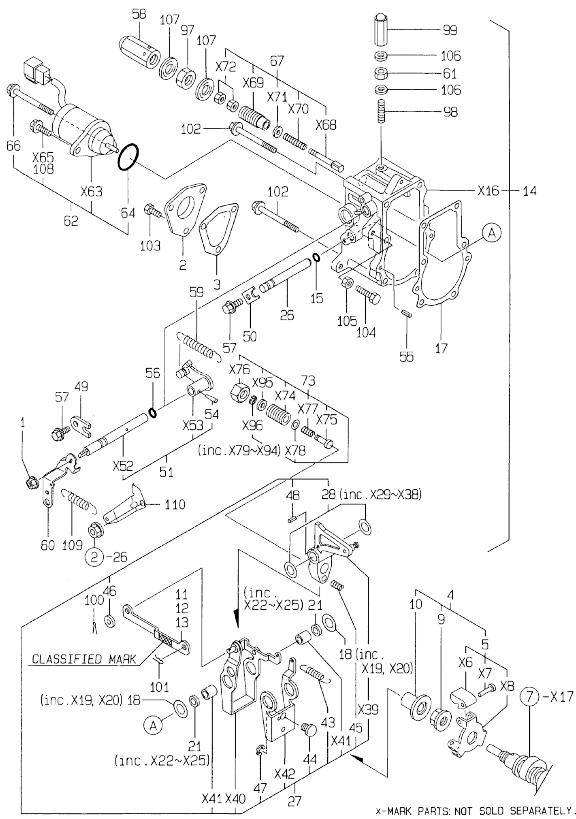
x-MARK PARTS: NOT SOLD SEPARATELY.

No.	Lev.	Parts No.	Description	Q'ty					
				(A)	(B)	(C)	(D)	(E)	(F)
1	1	719520-51100	PUMP ASSY, INJECTION	1					
3	2	119520-51100	PLUNGER ASSY	2					
6	2	119620-51170	RETAINER, SPRING A	2					
7	2	119620-51180	RETAINER, SPRING B	2					
8	2	119620-51190	SPRING, PLUNGER	2					
9	2	119620-51250	SHIM SET	2					
21	2	119225-51300	VALVE ASSY, DELIVERY	2					
24	2	105546-51330	SPRING, DELIVERY	2					
25	2	119620-51340	HOLDER, DELIVERY	2					
26	2	119620-51350	GASKET	2					
27	2	119620-51370	O-RING	2					
28	2	119620-51450	PIECE	2					
29	2	174307-51460	PIN, LOCK	1					
30	2	119305-51500	RACK, CONTROL	1					
31	2	119620-51510	PINION	2					
32	2	119305-51530	RETAINER, RACK	1					
33	2	119620-51650	PLATE	1					
34	2	119620-51660	SCREW	1					
35	2	119620-51670	PIN	1					
36	2	119620-51680	PIN	1					
37	2	119620-51700	TAPPET ASSY	2					
41	2	119266-51900	BOLT	1					
42	2	23414-080012	GASKET, 8X1.0	1					
43	2	26022-040082	SCREW, M4X 8	2					
44	2	26033-040102	SCREW, M4X10	1					

N:Old $\frac{100}{100}$ New, Q:Old $\frac{100}{100}$ New, R:Old $\frac{100}{100}$ New, S:Old $\frac{100}{100}$ New, W:Add, Z:Discontinued, F:Interchangeable by set, K:Qty Change
 Copyright (C) YANMAR CO., LTD. All Rights Reserved.

Fig.12. GOVERNOR

12. GOVERNOR



Remarks

(1) SELECTIVE PARTS: CERTAIN THE CLASSIFICATION MARK, THEN PLACE YOUR ORDER.(REFER TO ILLUSTRATION).

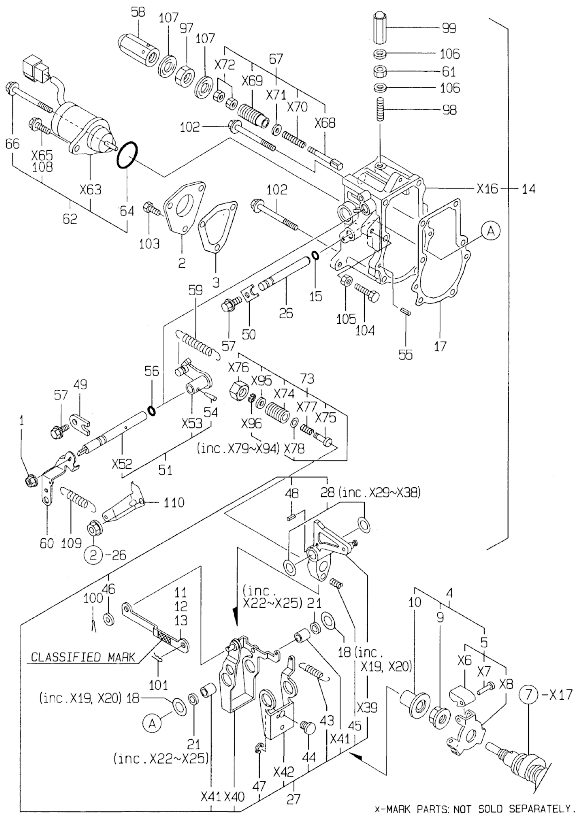
No.	Lev.	Parts No.	Description	Q'ty						I	R
				(A)	(B)	(C)	(D)	(E)	(F)		
1	1	194990-22050	NUT, M8								
2	1	119660-61060	COVER, GOVERNOR CASE	1							
3	1	119660-61071	GASKET	1							
4	1	119600-61100	DRIVE ASSY	1							
5	2	119600-61200	WEIGHT ASSY,GOVERNOR	1							
9	2	119660-61300	NUT	1							
10	2	119660-61341	SLEEVE	1							
11	1	119660-61121	LINK, NO MARK	1							1
12	1	119660-61140	LINK, MARK .2	1							1
13	1	119660-61150	LINK, MARK .3	1							1
14	1	119520-61200	CASE ASSY, GOVERNOR	1							
15	2	129155-51280	O-RING, S6	1							
17	2	119660-61052	GASKET	1							
18	2	119660-61460	SHIM SET	1							
21	2	129155-61480	SPACER ASSY	2							
26	2	119660-61491	SHAFT	1							
27	2	119520-61510	LEVER ASSY, GOVERNOR	1							
28	3	174307-51700	SHIM SET	2							
43	3	119232-61540	SPRING	1							
44	3	119600-61541	SHIFTER	1							
45	3	119660-61651	SPRING, STARTING	1							
46	3	22117-040000	WASHER, 4	1							
47	3	22272-000040	RING, E- 4	1							
48	3	22351-030014	PIN, SPRING 3.0X14	1							
49	2	119600-61900	RETAINER, SHAFT	1							
50	2	119660-61901	RETAINER, SHAFT	1							
51	2	119285-66080	SHAFT ASSY	1							
54	3	22322-030160	PIN, TAPER 3X16	1							
55	2	22351-040010	PIN, SPRING 4.0X10	2							
56	2	24341-000070	O-RING, 1AS7.0	1							
57	2	26106-060102	BOLT, M6X 10 PLATED	2							
58	1	129100-61930	NUT, CAP	1							
59	1	119305-66010	SPRING, REGULATOR	1							
60	1	119621-66051	LEVER, REGULATOR	1							
61	1	124550-66370	NUT, M6	1							
62	1	119653-66500	STOPPER ASSY	1							
64	2	24341-000280	O-RING, 1AS28.0	1							
66	2	26106-060952	BOLT, M6X 95 PLATED	1							
67	1	119629-66510	LIMITER ASSY, FUEL	1							
73	1	119260-66720	ANGLEICH ASSY	1							
97	1	26776-120002	NUT, LOCK M12	1							
98	1	121575-66830	SCREW	1							
99	1	119600-66840	NUT, CAP	1							
100	1	22360-040000	PIN, SNAP 4	1							
101	1	22360-060000	PIN, SNAP 6	1							
102	1	26106-060702	BOLT, M6X 70 PLATED	5							
103	1	26116-050102	BOLT, M5X 10 PLATED	3							
104	1	26116-060304	BOLT, M6X 30 PLATED	1							
105	1	26756-060002	NUT, LOCK M6	1							
106	1	22190-060003	SEAL WASER 6	2							
107	1	22190-120002	WASHER, SEAL 12	2							

N:Old ^{REV}/_{REV} New, Q:Old ^{REV}/_{REV} New, R:Old ^{REV}/_{REV} New, S:Old ^{REV}/_{REV} New, W:Add, Z:Discontinued, F:Interchangeable by set, K:Q'ty Change
 ++ CONTINUE ++
 Copyright (C) YANMAR CO., LTD. All Rights Reserved.

OCV10-M57100

Fig.12. GOVERNOR

12. GOVERNOR



x-MARK PARTS: NOT SOLD SEPARATELY.

Remarks
 (1) SELECTIVE PARTS: CERTAIN THE CLASSIFICATION MARK, THEN PLACE YOUR ORDER.(REFER TO ILLUSTRATION).

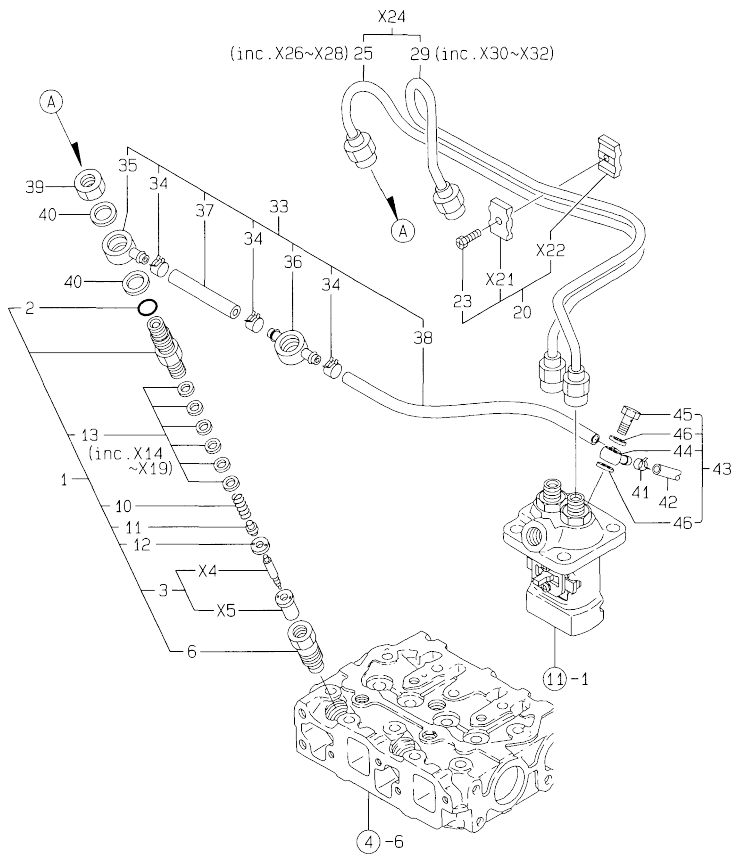
No.	Lev.	Parts No.	Description	Q'ty					
				(A)	(B)	(C)	(D)	(E)	(F)
108	1	121465-59950	BOLT, M6X16	1					
109	1	119840-61870	SPRING	1					
110	1	119656-66910	HOOK	1					

N:Old $\frac{100}{100}$ New, Q:Old $\frac{100}{100}$ New, R:Old $\frac{100}{100}$ New, S:Old $\frac{100}{100}$ New, W:Add, Z:Discontinued, F:Interchangeable by set, K:Q'ty Change
 Copyright (C) YANMAR CO., LTD. All Rights Reserved.

OCV10-M57100

Fig.13. FUEL INJECTION VALVE

13.FUEL INJECTION VALVE

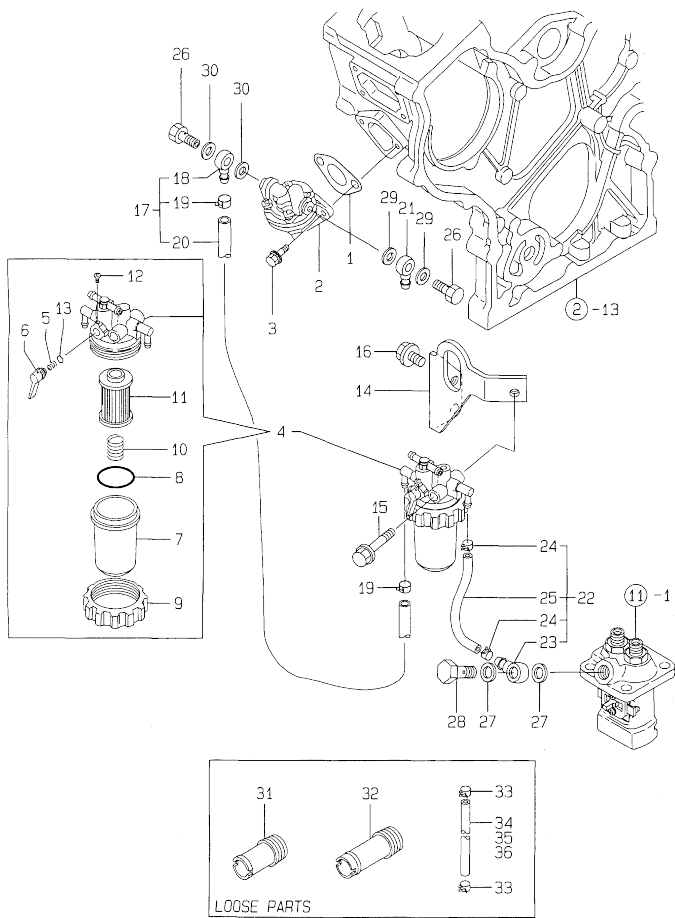


No.	Lev.	Parts No.	Description	Q'ty						I	R
				(A)	(B)	(C)	(D)	(E)	(F)		
1	1	719255-53100	VALVE ASSY,INJECTION	2							
2	2	129155-61830	O-RING, S10	2							
3	2	119620-53000	VALVE ASSY,INJECTION	2							
6	2	119620-53080	NUT, NOZZLE	2							
10	2	119620-53120	SPRING, NOZZLE	2							
11	2	114250-53130	SEAT, SPRING	2							
12	2	119620-53140	SPACER, VALVE STOP	2							
13	2	114250-53400	SHIM SET	2							
20	1	119305-59120	RETAINER, PIPE	1							
23	2	129150-59131	BOLT, M4X14	1							
25	2	119309-59810	PIPE ASSY, INJECTION	1							
29	2	119309-59820	PIPE ASSY, INJECTION	1							
33	1	119520-59540	PIPE ASSY, RETURN	1							
34	2	124066-59100	CLIP, HOSE 8	3							
35	2	119260-59520	JOINT	1							
36	2	119260-59530	JOINT	1							
37	2	119260-59550	PIPE, FUEL	1							
38	2	119000-59560	PIPE, FUEL RETURN	1							
39	1	119620-59700	NUT, NOZZLE	2							
40	1	23414-140000	GASKET, 14X1.0	3							
41	1	124766-59050	CLIP, HOSE 12	2							
42	1	121250-59080	PIPE, FUEL D12X180	1							
43	1	119266-59501	JOINT ASSY, PIPE	1							
44	2	119266-59570	JOINT, OVER FLOW	1							
45	2	119266-59580	BOLT, PIPE JOINT M8	1							
46	2	23414-080012	GASKET, 8X1.0	2							

N:Old $\frac{100}{100}$ New, Q:Old $\frac{100}{100}$ New, R:Old $\frac{100}{100}$ New, S:Old $\frac{100}{100}$ New, W:Add, Z:Discontinued, F:Interchangeable by set, K:Q'ty Change
 Copyright (C) YANMAR CO., LTD. All Rights Reserved.

Fig.14. FUEL LINE

14. FUEL LINE

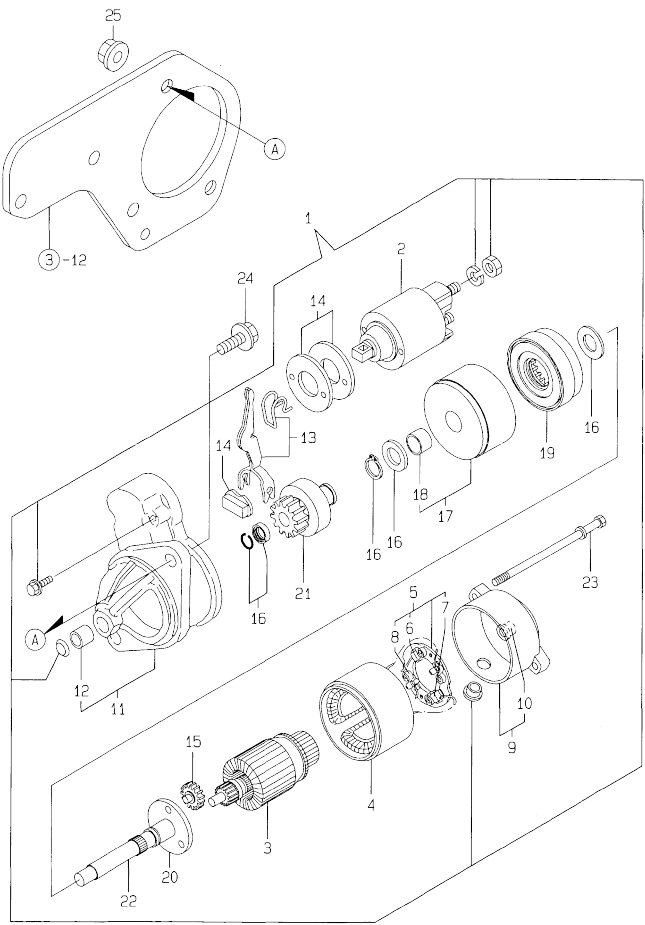


No.	Lev.	Parts No.	Description	Q'ty						I	R
				(A)	(B)	(C)	(D)	(E)	(F)		
1	1	121520-01851	GASKET	1							
2	1	119600-52021	PUMP ASSY, FUEL FEED	1							
3	1	26106-060162	BOLT, M6X 16 PLATED	2							
4	1	119255-55620	FILTER ASSY, FUEL	1							
5	2	104200-55330	SPRING, VALVE	1							
6	2	119810-55340	LEVER	1							
7	2	121254-55510	COVER	1							
8	2	102103-55520	O-RING	1							
9	2	110250-55610	RING, RETAINING	1							
10	2	121250-55620	SPRING	1							
11	2	124550-55700	FILTER, FUEL L=90	1							
12	2	104200-55750	SCREW, M4	1							
13	2	24311-240100	O-RING, 1AP10A	1							
14	1	119325-55900	BRACKET, FILTER	1							
15	1	26013-080652	BOLT, M8X 65	1							
16	1	26106-080142	BOLT, M8X 14 PLATED	2							
17	1	119260-59020	PIPE ASSY, D12XL400	1							
18	2	104264-59030	JOINT, PIPE 8	1							
19	2	124766-59050	CLIP, HOSE 12	2							
20	2	121236-59080	PIPE, FUEL D12X400	1							
21	1	104264-59030	JOINT, PIPE 8	1							
22	1	119325-59030	PIPE ASSY, FUEL	1							
23	2	101304-59020	JOINT, PIPE 12	1							
24	2	124766-59050	CLIP, HOSE 12	2							
25	2	119325-59080	PIPE, FUEL	1							
26	1	105582-59150	BOLT, PIPE JOINT	2							
27	1	104200-59170	GASKET, 12	2							
28	1	103854-39140	BOLT, PIPE JOINT	1							
29	1	22190-080002	WASHER, SEAL 6	2							
30	1	22190-080002	WASHER, SEAL 6	2							
31	1	121851-11970	JOINT, PIPE	1							
32	1	129122-44480	JOINT, PIPE	1							
33	1	124766-59050	CLIP, HOSE 12	6							
34	1	121024-59090	PIPE, FUEL D12X450	1							
35	1	106500-59510	PIPE, FUEL	1							
36	1	121920-59580	PIPE, FUEL	1							

N:Old $\frac{New}{Old}$ New, Q:Old $\frac{New}{Old}$ New, R:Old $\frac{New}{Old}$ New, S:Old $\frac{New}{Old}$ New, W:Add, Z:Discontinued, F:Interchangeable by set, K:Qty Change
 Copyright (C) YANMAR CO., LTD. All Rights Reserved.

Fig.15. STARTING MOTOR

15. STARTING MOTOR

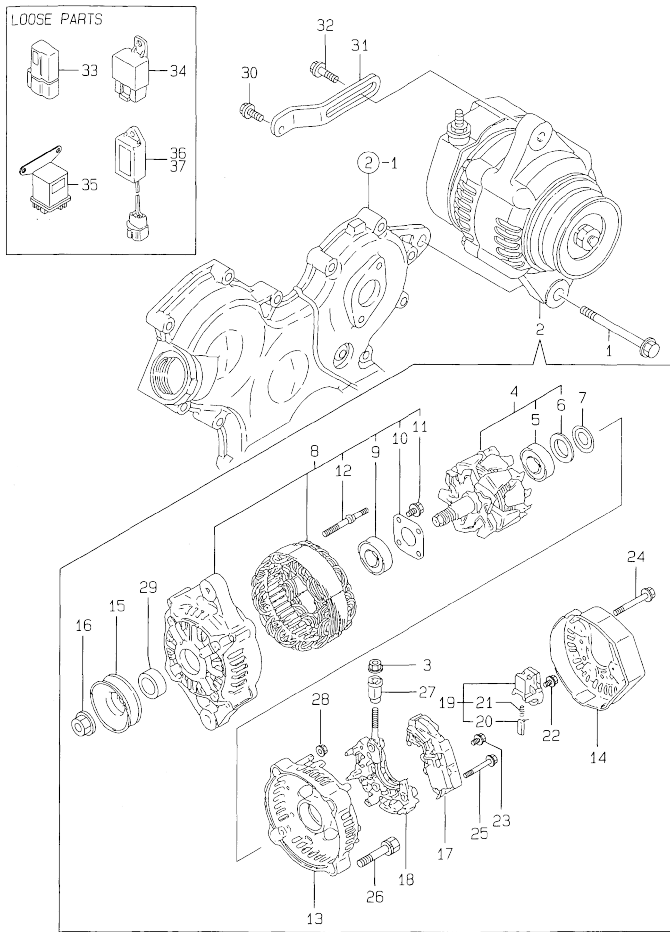


No.	Lev.	Parts No.	Description	Q'ty						I	R
				(A)	(B)	(C)	(D)	(E)	(F)		
1	1	119233-77010	STARTER ASSY	1							
2	2	124298-77020	SWITCH, MAGNETIC	1							
3	2	119233-77400	ARMATURE ASSY	1							
4	2	119233-77430	YOKE ASSY	1							
5	2	119233-77470	HOLDER ASSY, BRUSH	1							
6	3	119233-77450	BRUSH, +	1							
7	3	119233-77460	BRUSH, -	2							
8	3	119233-77480	SPRING, BRUSH	4							
9	2	119233-77500	COVER ASSY	1							
10	3	119233-77510	COVER	1							
11	2	119233-77520	CASE ASSY, GEAR	1							
12	3	X2114535200	METAL, STARTER	1							
13	2	119233-77540	LEVER SET, SHIFT	1							
14	2	119233-77570	COVER KIT	1							
15	2	119233-77600	GEAR	3							
16	2	119233-77610	STOPPER SET	1							
17	2	119233-77620	BRACKET	1							
18	3	119233-77630	BRACKET	1							
19	2	119233-77640	GEAR, INTERNAL	1							
20	2	119233-77650	BRACKET	1							
21	2	119233-77660	PINION ASSY	1							
22	2	119233-77670	SHAFT, PINION	1							
23	2	124195-77770	THROUGH BOLT	2							
24	1	26106-100252	BOLT, M10X 25 PLATED	2							
25	1	26366-100002	NUT, M10	2							

N:Old $\frac{100}{100}$ New, Q:Old $\frac{100}{100}$ New, R:Old $\frac{100}{100}$ New, S:Old $\frac{100}{100}$ New, W:Add, Z:Discontinued, F:Interchangeable by set, K:Q'ty Change
 Copyright (C) YANMAR CO., LTD. All Rights Reserved.

Fig.16. GENERATOR

16. GENERATOR

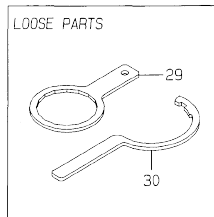
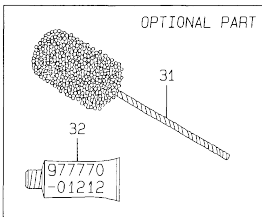
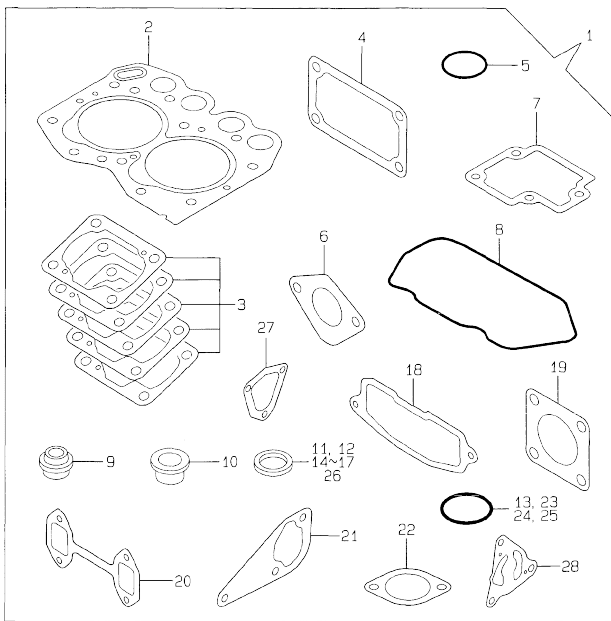


No.	Lev.	Parts No.	Description	Q'ty					
				(A)	(B)	(C)	(D)	(E)	(F)
1	1	26106-100552	BOLT, M10X 55 PLATED	1					
2	1	119620-77201	GENERATOR, 40A	1					
3	2	X9490561001	NUT	1					
4	2	119620-77380	ROTOR ASSY	1					
5	3	119620-79240	BALL BEARING	1					
6	3	119620-79250	COVER, BEARING	1					
7	2	119620-79360	WASHER, THRUST	1					
8	2	119620-77421	FRAME ASSY, DRIVE	1					
9	3	119620-79200	BALL BEARING	1					
10	3	119620-79210	PLATE	1					
11	3	119620-79220	SCREW	4					
12	3	119620-79230	BOLT, STUD	2					
13	2	119620-77440	FLAME ASSY, REAR	1					
14	2	119620-77450	COVER	1					
15	2	119620-77461	PULLEY	1					
16	2	119620-77471	NUT	1					
17	2	119620-77710	REGULATOR ASSY	1					
18	2	119620-79260	HOLDER	1					
19	2	119620-79270	HOLDER, BRUSH	1					
20	3	119620-77480	BRUSH ASSY	2					
21	3	119620-79280	SPRING	2					
22	2	119620-79290	SCREW	6					
23	2	119620-79300	SCREW	1					
24	2	119620-79310	BOLT	3					
25	2	119620-79320	SCREW W/WASHER	2					
26	2	119620-79330	BOLT	2					
27	2	119620-79340	INSULATION BUSH	1					
28	2	119620-79350	NUT	2					
29	2	119620-77490	COLLAR	1					
30	1	26106-080162	BOLT, M8X 16 PLATED	1					
31	1	119660-77330	ADJUSTER	1					
32	1	26014-080252	BOLT, M8X 25	1					
33	1	119643-66900	DIODE	2					
34	1	119247-77100	RELAY, SAFETY	1					
35	1	119650-77910	RELAY ASSY, GLOW	1					
36	1	119632-77920	TIMER	1					
37	1	128300-77920	TIMER	1					

N:Old $\frac{100}{100}$ New, Q:Old $\frac{100}{100}$ New, R:Old $\frac{100}{100}$ New, S:Old $\frac{100}{100}$ New, W:Add, Z:Discontinued, F:Interchangeable by set, K:Qty Change
 Copyright (C) YANMAR CO., LTD. All Rights Reserved.

Fig.17. GASKET SET

17.GASKET SET



(A)=2TNE68-BL2
(D)=
(E)=
(F)=

No.	Lev.	Parts No.	Description	Q'ty						I	R	
				(A)	(B)	(C)	(D)	(E)	(F)			
1	1	719309-92600	GASKET SET	1							1	
2	2	119309-01330	GASKET, CYL. HEAD	1								
3	2	119305-01950	SHIM SET, ADJUSTING	1								
4	2	119660-01562	GASKET	1								
5	2	24311-000320	O-RING, 1AP32.0	2								
6	2	121520-01851	GASKET	1								
7	2	119305-03031	GASKET	1								
8	2	124097-11311	GASKET, BONNET	1								
9	2	119260-11340	SEAL, VALVE STEM	4								
10	2	119600-11450	PROTECTOR, NOZZLE	2								
11	2	119600-11460	GASKET, NOZZLE	4								
12	2	124465-44950	GASKET, 16	2								
13	2	24311-000150	O-RING, 1AP15.0	1								
14	2	22190-080002	WASHER, SEAL 6	4								
15	2	104200-59170	GASKET, 12	2								
16	2	23414-080012	GASKET, 8X1.0	2								
17	2	23414-140000	GASKET, 14X1.0	3								
18	2	119305-12160	GASKET, MANIFOLD	1								
19	2	121000-13201	GASKET, SILENCER	1								
20	2	119305-13110	GASKET	1								
21	2	119260-42020	GASKET, WATER PUMP	1								
22	2	129795-49551	GASKET	1								
23	2	24311-000120	O-RING, 1AP12.0	4								
24	2	24341-000240	O-RING, 1AS24.0	1								
25	2	119209-35030	O-RING, P11	1								
26	2	22190-220002	WASHER, SEAL 22	2								
27	2	119660-61071	GASKET	1								
28	2	119660-32020	GASKET, PUMP	1								
29	1	119332-92751	WRENCH, FILTER 68	1								
30	1	171051-92760	WRENCH, STRAINER	1								
31	1	129400-92400	FLEX HORN	1								1
32	1	977770-01212	GASKET, LIQUID	1								1

Remarks
(1) OPTIONAL PART.

Parts No. Index

Parts No.	Fig. No.	Ref. No.	Parts No.	Fig. No.	Ref. No.	Parts No.	Fig. No.	Ref. No.	Parts No.	Fig. No.	Ref. No.
101304-59020	14	23	119260-02020	1	5	119305-12160	5	1	119600-61541	12	44
102103-55520	14	8	119260-02800	1	13		17	18	119600-61900	12	49
103854-39140	14	28	119260-02930	1	16	119305-13100	6	1	119600-66840	12	99
104200-55330	14	5	119260-07900	4	3	119305-13110	6	2	119620-01620	3	1
104200-55750	14	12	119260-11100	4	15		17	20	119620-01800	2	3
104200-59170	14	27	119260-11110	4	16	119305-14200	7	16	119620-02450	7	4
	17	15	119260-11260	4	37	119305-14580	7	3	119620-11350	4	42
104264-59030	14	18	119260-11270	4	39	119305-35150	9	15	119620-21500	8	11
		21	119260-11280	4	40	119305-51500	11	30	119620-21941	8	10
105010-11230	4	27	119260-11340	4	20	119305-51530	11	32	119620-25912	7	12
		31		17	9	119305-59120	13	20	119620-42350	10	15
105546-51330	11	24	119260-11370	4	21	119305-66010	12	59	119620-51170	11	6
105582-59150	14	26	119260-11800	4	10	119305-77820	4	58	119620-51180	11	7
106500-59510	14	35	119260-14100	7	6	119309-01330	1	22	119620-51190	11	8
110250-55610	14	9	119260-14200	7	1		17	2	119620-51250	11	9
114250-11120	4	17	119260-14400	7	2	119309-01550	2	18	119620-51340	11	25
114250-11180	4	18	119260-21200	8	4	119309-03150	4	53	119620-51350	11	26
114250-53130	13	11	119260-21600	8	14	119309-11331	4	44	119620-51370	11	27
114250-53400	13	13	119260-23910	8	28	119309-21700	8	1	119620-51450	11	28
119000-59560	13	38	119260-25100	7	10	119309-59810	13	25	119620-51510	11	31
119131-18320	6	5	119260-32000	9	1	119309-59820	13	29	119620-51650	11	33
119209-35030	9	25	119260-42020	10	28	119325-21670	8	8	119620-51660	11	34
	17	25		17	21	119325-55900	14	14	119620-51670	11	35
119225-35300	9	16	119260-59020	14	17	119325-59030	14	22	119620-51680	11	36
119225-51300	11	21	119260-59520	13	35	119325-59080	14	25	119620-51700	11	37
119232-61540	12	43	119260-59530	13	36	119332-44740	10	17	119620-53000	13	3
119233-77010	15	1	119260-59550	13	37	119332-92751	17	29	119620-53080	13	6
119233-77400	15	3	119260-66720	12	73	119385-12730	5	2	119620-53120	13	10
119233-77430	15	4	119265-11260	4	38	119385-35090	9	24	119620-53140	13	12
119233-77450	15	6	119265-22300	8	23	119520-01750	3	14	119620-59700	13	39
119233-77460	15	7	119265-22500	8	17	119520-01771	3	6	119620-77201	16	2
119233-77470	15	5	119265-22601	8	15	119520-01772	3	6	119620-77380	16	4
119233-77480	15	8	119265-23100	8	25	119520-03090	4	59	119620-77421	16	8
119233-77500	15	9	119265-23200	8	29	119520-03990	4	60	119620-77440	16	13
119233-77510	15	10	119266-01200	1	21	119520-21591	8	12	119620-77450	16	14
119233-77520	15	11	119266-02410	1	19	119520-21930	8	34	119620-77461	16	15
119233-77540	15	13	119266-51900	11	41	119520-34820	9	13	119620-77471	16	16
119233-77570	15	14	119266-59501	13	43	119520-34890	9	28	119620-77480	16	20
119233-77600	15	15	119266-59570	13	44	119520-42000	10	1	119620-77490	16	29
119233-77610	15	16	119266-59580	13	45	119520-51100	11	3	119620-77710	16	17
119233-77620	15	17	119285-03140	4	1	119520-59540	13	33	119620-79200	16	9
119233-77630	15	18	119285-66080	12	51	119520-61200	12	14	119620-79210	16	10
119233-77640	15	19	119305-01490	2	13	119520-61510	12	27	119620-79220	16	11
119233-77650	15	20	119305-01950	2	21	119600-11450	4	23	119620-79230	16	12
119233-77660	15	21		17	3		17	10	119620-79240	16	5
119233-77670	15	22	119305-03020	4	46	119600-11460	4	24	119620-79250	16	6
119247-77100	16	34	119305-03031	4	47		17	11	119620-79260	16	18
119255-55620	14	4		17	7	119600-52021	14	2	119620-79270	16	19
119260-01510	2	15	119305-11200	4	25	119600-61100	12	4	119620-79280	16	21
119260-01590	2	1	119305-11240	4	34	119600-61200	12	5	119620-79290	16	22

Parts No. Index

Parts No.	Fig. No.	Ref. No.
119620-79300	16	23
119620-79310	16	24
119620-79320	16	25
119620-79330	16	26
119620-79340	16	27
119620-79350	16	28
119620-79360	16	7
119621-21680	8	9
119621-49800	10	20
119621-66051	12	60
119629-66510	12	67
119632-07900	4	54
119632-77920	16	36
119640-01640	3	7
119643-66900	16	33
119650-77910	16	35
119653-66500	12	62
119656-66910	12	110
119660-01562	2	19
	17	4
119660-01570	2	20
119660-01911	2	4
119660-25022	7	8
119660-25052	7	9
119660-32020	9	11
	17	28
119660-61052	12	17
119660-61060	12	2
119660-61071	12	3
	17	27
119660-61121	12	11
119660-61140	12	12
119660-61150	12	13
119660-61300	12	9
119660-61341	12	10
119660-61460	12	18
119660-61491	12	26
119660-61651	12	45
119660-61901	12	50
119660-77330	16	31
119810-55340	14	6
119840-61870	12	109
121000-13201	6	7
	17	19
121023-01550	2	27
121024-59090	14	34
121236-59080	14	20
121250-44901	10	23
121250-55620	14	10
121250-59080	13	42

Parts No.	Fig. No.	Ref. No.
121252-39450	9	27
121254-55510	14	7
121400-77701	4	61
121450-01560	2	16
121450-42450	10	24
121465-59950	12	108
121500-12790	5	4
121520-01851	14	1
	17	6
121575-66830	12	98
121851-11970	14	31
121920-59580	14	36
124060-01050	1	4
124066-59100	13	34
124085-02220	3	4
124097-11311	4	49
	17	8
124097-11390	4	50
124101-49530	10	19
124160-01751	2	11
	4	62
124160-11360	4	55
124195-01600	3	12
124195-77770	15	23
124298-77020	15	2
124465-44950	10	25
	17	12
124550-55700	14	11
124550-66370	12	61
124766-59050	13	41
	14	19
		24
		33
128300-77920	16	37
129100-01580	3	11
	8	2
129100-61930	12	58
129122-44480	14	32
129150-35350	9	14
129150-59131	13	23
129155-51280	12	15
129155-61480	12	21
129155-61830	13	2
129350-49541	10	21 -1
129400-92400	17	31
129430-42290	10	16
129795-49551	10	21
	17	22
129795-77800	4	57
171008-03990	4	2

Parts No.	Fig. No.	Ref. No.
171051-92760	17	30
171056-49120	10	27
174307-51460	11	29
174307-51700	12	28
194990-22050	2	25
	12	1
22117-040000	12	46
22190-060003	12	106
22190-080002	14	29
		30
	17	14
22190-120002	12	107
22190-220002	3	9
	17	26
22242-000100	4	41
22242-000200	7	14
22252-000200	8	24
22272-000040	12	47
22322-030160	12	54
22351-030010	8	7
22351-030014	12	48
22351-040010	2	17
	12	55
22351-060012	4	22
22360-040000	12	100
22360-060000	12	101
22512-040120	7	7
		19
	8	5
22857-500100	4	52
23414-080012	11	42
	13	46
	17	16
23414-140000	13	40
	17	17
23871-020000	4	13
24102-063034	7	20
24311-000120	2	5
	4	56
	17	23
24311-000150	3	15
	17	13
24311-000210	10	10
24311-000320	2	12
	4	63
	17	5
24311-240100	14	13
24341-000070	12	56
24341-000240	2	28
	17	24

Parts No.	Fig. No.	Ref. No.
24341-000280	12	64
26013-080652	14	15
26014-060142	10	18
26014-080252	16	32
26022-040082	11	43
26033-040102	11	44
26106-060102	3	10
	12	57
26106-060122	1	20
	4	5
	7	15
	9	26
26106-060162	2	6
	5	5
	14	3
26106-060182	2	29
26106-060222	3	5
26106-060282	5	6
26106-060302	2	7
26106-060402	2	8
	6	3
26106-060502	2	9
26106-060652	2	10
26106-060702	12	102
26106-060952	12	66
26106-080142	4	4
	14	16
26106-080162	16	30
26106-080282	10	22
26106-080452	10	14
26106-080652	10	26
26106-100252	15	24
26106-100552	16	1
26116-050102	12	103
26116-060304	12	104
26206-100202	3	13
26216-060402	6	4
26366-060002	2	26
	3	16
	6	6
26366-080002	4	43
26366-100002	15	25
26450-060202	9	12
26756-060002	4	29
		33
	12	105
26776-120002	12	97
27221-050080	4	14
27221-060100	1	8
27231-400000	1	9

Parts No. Index

Parts No.	Fig. No.	Ref. No.
27241-100000	1	10
27241-250000	1	11
27241-300000	1	12
27241-350000	4	12
27310-055000	4	19
719255-53100	13	1
719260-02870	1	23
719260-11650	4	26
719260-11660	4	30
719260-23600	8	30
719260-23610	8	32
719309-92600	17	1
719325-01560	1	1
719325-11700	4	6
719520-51100	11	1
719620-01650	3	2
977770-01212	2	30
	3	17
	17	32
X2114535200	15	12
X9490561001	16	3

Parts No.	Fig. No.	Ref. No.
-----------	----------	----------

Parts No.	Fig. No.	Ref. No.
-----------	----------	----------

Parts No.	Fig. No.	Ref. No.
-----------	----------	----------