

0CV10-M46800EN

P R E F A C E

1. This Parts Catalog carries all parts incorporated in YANMAR Model 3TNE74-AMM engine manufactured since August, 1995.
2. Each illustration corresponds to the parts list on the following page.
3. When ordering parts, clearly write down the engine model and serial number, as well as the name and number of each part in your order sheet. This will help insure reliable delivery of the parts you have ordered.

Directions for the Parts Catalog.

1. This Parts Catalog shows both standard and optional parts.
2. Parts may change without prior notice.
3. The following is an example of the Parts Catalog format.

REF.	LEV.	PARTS NO.	DESCRIPTION	Q'TY						I	R
				(A)	(B)	(C)	(D)	(E)	(F)		
1	1	729595-51390	FUEL INJECTION PUMP	1	1	1	1	1			1
1-1	1	729595-51391	FUEL INJECTION PUMP	1	1	1	1	1		N	1
		(A=E00185) (B=E00200)									
3	2	26022-060162	SCREW M 6X 16	9	9	9	9	9			
3-1	2	26022-060162	SCREW M 6X 16	4	4	4	4	4		K	
		(A=E00156) (B=E00156) (C=E00156) (D=E00156) (E=E00156)									
4	2	129470-51040	CAMSHAFT	1	1	1	1	1			
5	2	122710-51050	BEARING, ROLLER	2	2	2	2	2			
6	2	129470-51060	RETAINER	1	1	1	1	1			

Remarks
(1) BOOST COMPEMSATOR TYPE. OPTIONAL PART, TO E00155,(4JH-DT, 4JH-DTZ

① Ref. No.

The Ref. No. listed may not be in accordance with the illustration Ref. No.

(Ex.) Illustration No.

List Ref No.

1 1 (Before change) → 1-1 (After change)

For interchangeable symbols N, R and K, illustrations for new parts may be abbreviated.

② Lev. (Level)

Level indication

The numbers below indicate the level of relativity towards the main part.

1 ---- Main parts (Assembly parts)

2 ---- Sub component included in " 1 ".

3 ---- Sub component included in " 2 ".

Note) Parts that are not for sale are partially illustrated but not listed.

③ Interchangeability Symbol

When a part change takes place, one of the following interchangeability symbols is indicated beside the part.

Symbol	Interchangeability	Contents note
N	Old $\begin{matrix} \leftarrow \text{Yes} \\ \text{No} \rightarrow \end{matrix}$ New	New Part is interchangeable for Old Part but Old Part is not interchangeable for New Part.
Q	Old $\begin{matrix} \leftarrow \text{No} \\ \text{Yes} \rightarrow \end{matrix}$ New	New Part is not interchangeable for Old Part but Old Part is interchangeable for New Part.
R	Old $\begin{matrix} \leftarrow \text{Yes} \\ \text{Yes} \rightarrow \end{matrix}$ New	New/ Old Parts are both interchangeable.
S	Old $\begin{matrix} \leftarrow \text{No} \\ \text{No} \rightarrow \end{matrix}$ New	New/ Old Parts are both not interchangeable.
W		Part newly added.
Z		Part discontinued.
F		Not interchangeable by a single part but interchangeable together with related parts.
K		Changes only for used parts quantities.

④ Effective Machine No.

When a part changes, the effective Machine No. will be indicated in the (A)-(F) column.

Product Symbol	Product No.	Product Symbol	Product No.
C	Clutch No. Compressor No.	F	Machine No. (Agricultural Equip.)
D	Drive No.	M	Machine No.
E	Engine No.		

Note 1) A date may follow the symbol. (Ex.) 1996.01

Note 2) "XXXXX" and "ZZZZZ" are for parts that could not be predicted or for engine models that could not be identified.

Note 3) (A=E00185) is the E (Engine Serial Number) for the column (A) model (in this case 4JH-DT) after the parts design change.

⑤ Remarks

Figures or alphabets (symbols) are entered in the remarks column.

The comments (remarks) on parts that are indicated at the bottom of the illustration are the same symbols as those stated above.

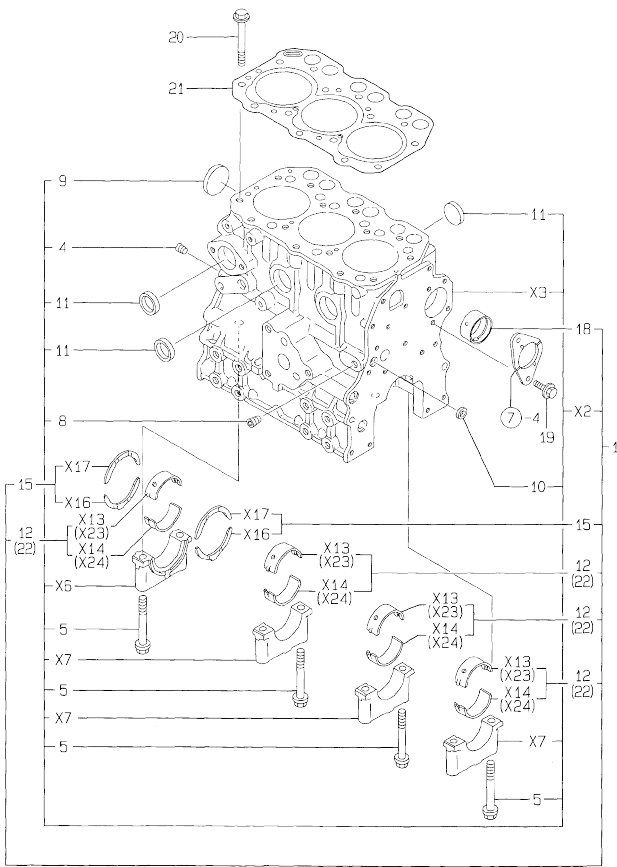
Contents

Fig. No.	Fig. Name	Fig. No.	Fig. Name
3TNE74-AMM			
1.	CYLINDER BLOCK		
2.	GEAR HOUSING		
3.	FLYWHEEL HOUSING &LUB.OIL SUMP		
4.	CYLINDER HEAD & BONNET		
5.	SUCTION MANIFOLD & AIR CLEANER		
6.	EXHAUST MANIFOLD & SILENCER		
7.	CAMSHAFT & DRIVING GEAR		
8.	CRANKSHAFT & PISTON		
9.	LUB.OIL SYSTEM		
10.	COOLING WATER SYSTEM		
11.	FUEL INJECTION PUMP		
12.	GOVERNOR		
13.	FUEL INJECTION VALVE		
14.	FUEL LINE		
15.	STARTING MOTOR		
16.	GENERATOR		
17.	GASKET SET(OPTIONAL)		

OCV10-M46800

Fig.1. CYLINDER BLOCK

1. CYLINDER BLOCK



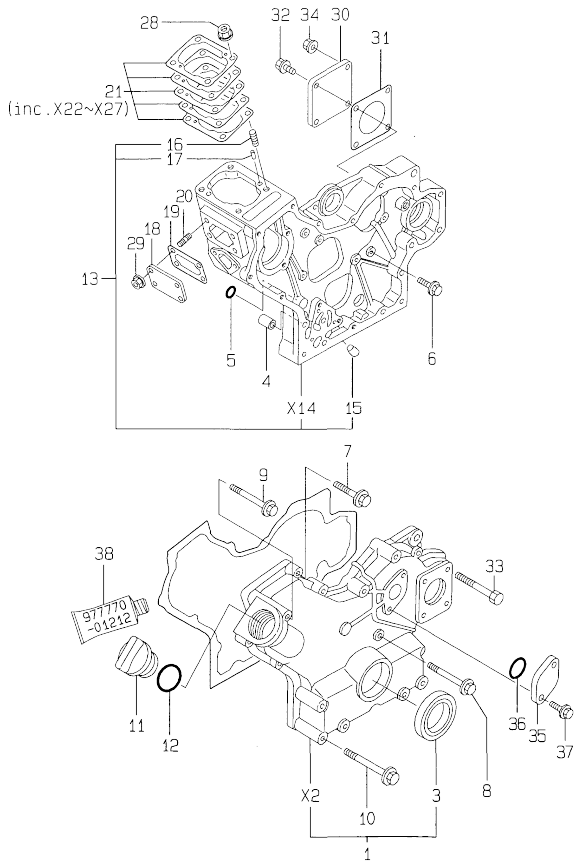
No.	Lev.	Parts No.	Description	Q'ty						I	R
				(A)	(B)	(C)	(D)	(E)	(F)		
1	1	719623-01560	BLOCK ASSY, CYLINDER	1							
4	3	119600-01050	PLUG, PT1/4	1							
5	3	119620-02020	BOLT, METAL CAP	8							
8	3	23871-010000	PLUG, R01	1							
9	3	27231-450000	PLUG 45	1							
10	3	27241-120000	PLUG, 12	1							
11	3	27241-300000	PLUG 30	6							
12	2	719620-02800	BEARING, MAIN	4							
15	2	719620-02930	BEARING, THRUST	2							
18	2	119620-02410	BUSH, CAMSHAFT	1							
19	1	26106-060122	BOLT, M6X 12 PLATED	2							
20	1	119620-01200	BOLT, HEAD	14							
21	1	119623-01330	GASKET, HEAD	1							
22	1	719620-02870	BEARING, 0.25 US	4							1

Remarks
(1) UNDER-SIZE (U.S=0.25) PART.

N:Old $\frac{100}{100}$ New, Q:Old $\frac{100}{100}$ New, R:Old $\frac{100}{100}$ New, S:Old $\frac{100}{100}$ New, W:Add, Z:Discontinued, F:Interchangeable by set, K:Qty Change
Copyright (C) YANMAR CO., LTD. All Rights Reserved.

Fig.2. GEAR HOUSING

2. GEAR HOUSING

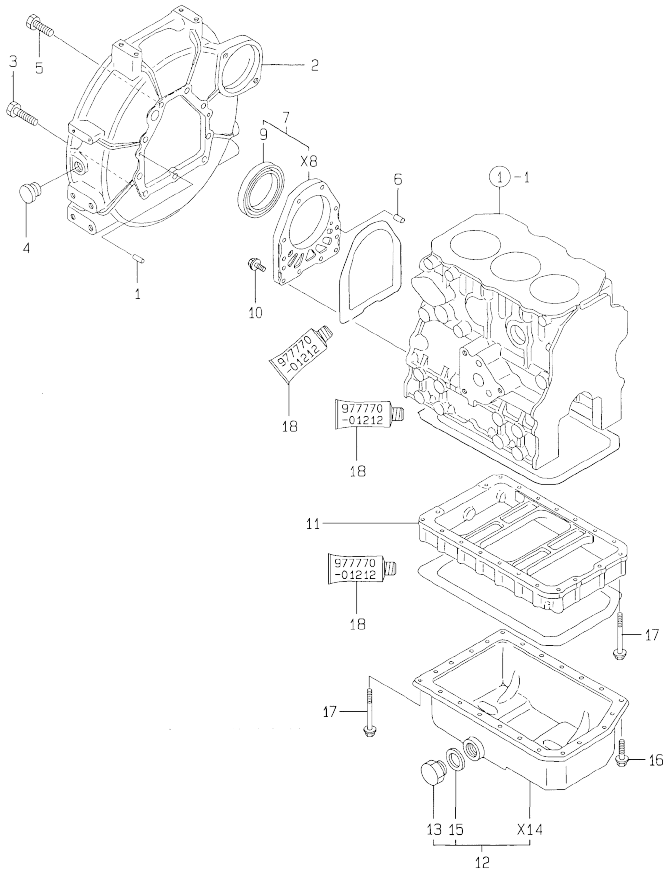


No.	Lev.	Parts No.	Description	Q'ty						I	R
				(A)	(B)	(C)	(D)	(E)	(F)		
1	1	119660-01590	COVER ASSY,GEAR CASE	1							
3	2	119620-01800	SEAL, OIL	1							
4	1	119660-01911	PIPE, KNOCK	4							
5	1	24311-000120	O-RING, 1AP12.0	2							
6	1	26106-060162	BOLT, M6X 16 PLATED	7							
7	1	26106-060302	BOLT, M6X 30 PLATED	6							
8	1	26106-060602	BOLT, M6X 60 PLATED	3							
9	1	26106-060602	BOLT, M6X 60 PLATED	1							
10	1	26106-060802	BOLT, M6X 80 PLATED	6							
11	1	124160-01751	COVER, FILLER	1							
12	1	24311-000320	O-RING, 1AP32.0	1							
13	1	119660-01492	CASE ASSY, GEAR	1							
15	2	119660-01510	PLUG, 10X14	1							
16	2	121450-01560	STUD, M8X22	4							
17	2	22351-040010	PIN, SPRING 4.0X10	2							
18	1	119660-01551	COVER	1							
19	1	119660-01562	GASKET	1							
20	1	119660-01570	STUD, M6X12	4							
21	1	119623-01950	SHIM SET, ADJUSTING	1							
28	1	194990-22050	NUT, M8	4							
29	1	26366-060002	NUT, M6	4							
30	1	124240-01871	COVER	1							
31	1	124240-01883	GASKET	1							
32	1	26106-080122	BOLT, M8X 12 PLATED	1							
33	1	26106-080652	BOLT, M8X 65 PLATED	3							
34	1	26366-080002	NUT, M8	3							
35	1	121023-01550	COVER	1							
36	1	24341-000240	O-RING, 1AS24.0	1							
37	1	26106-060182	BOLT, M6X 18 PLATED	2							
38	1	977770-01212	GASKET, LIQUID	1							1

Remarks
(1) OPTIONAL PART.

Fig.3. FLYWHEEL HOUSING & LUB.OIL SUMP

3.FLYWHEEL HOUSING & LUB.OIL SUMP

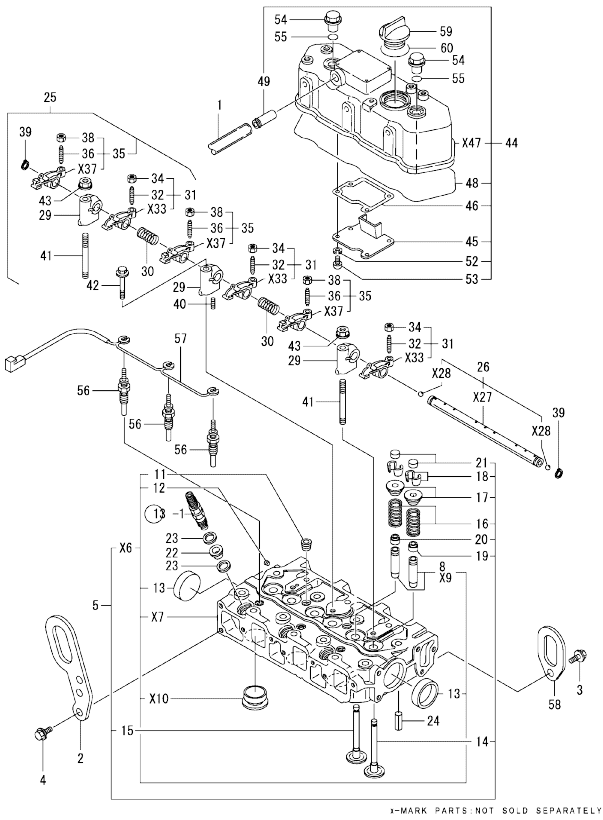


No.	Lev.	Parts No.	Description	Q'ty						I	R	
				(A)	(B)	(C)	(D)	(E)	(F)			
1	1	129100-01580	PIN, M8X16		2							
2	1	119600-01600	HOUSING, FLYWHEEL		1							
3	1	121120-01620	BOLT, M10X28		3							
4	1	119620-01750	CAP		1							
5	1	26206-100252	BOLT, M10X 25 PLATED		6							
6	1	119620-01620	PIN, M6X10		2							
7	1	119660-01640	CASE ASSY, OIL SEAL		1							
9	2	124085-02220	SEAL, OIL		1							
10	1	26106-060222	BOLT, M6X 22 PLATED		10							
11	1	119600-01722	SPACER, OIL SUMP		1							
12	1	719631-01540	SUMP ASSY, OIL		1							
13	2	119640-01640	PLUG, DRAIN M22		1							
15	2	22190-220002	WASHER, SEAL 22		1							
16	1	26106-060122	BOLT, M6X 12 PLATED		3							
17	1	26106-060452	BOLT, M6X 45 PLATED		20							
18	1	977770-01212	GASKET, LIQUID		1							1

Remarks
(1) OPTIONAL PART.

OCV10-M46800

Fig.4. CYLINDER HEAD & BONNET



X-MARK PARTS NOT SOLD SEPARATELY.

Remarks

(1) REPAIR PART.

(A)=3TNE74-AMM
(B)=
(C)=

(D)=
(E)=
(F)=

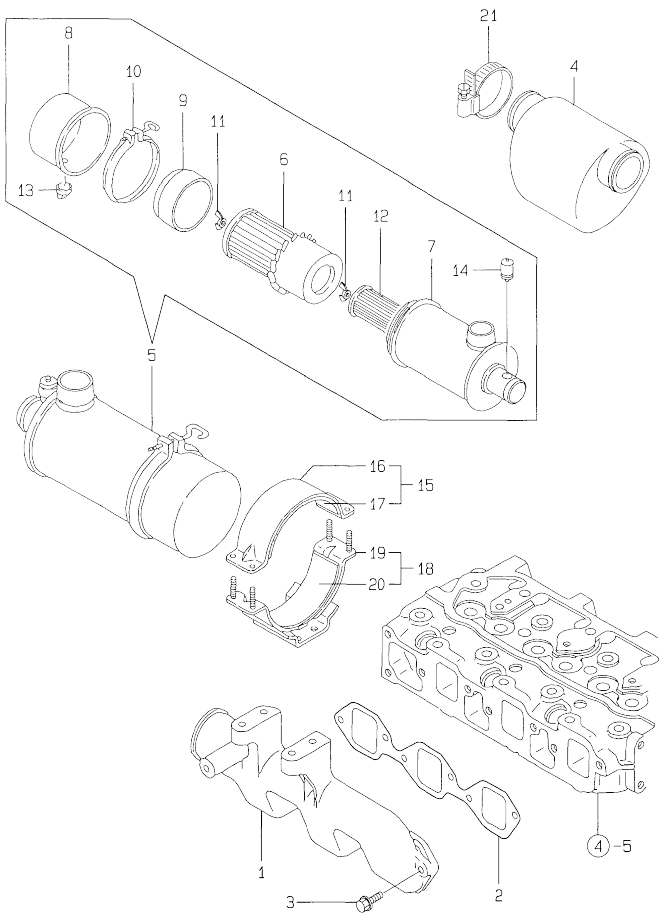
No.	Lev.	Parts No.	Description	Q'ty						I	R
				(A)	(B)	(C)	(D)	(E)	(F)		
1	1	23065-120500	PIPE, 12X 500	1							
2	1	119260-07900	LIFTER	1							
3	1	26106-080142	BOLT, M8X 14 PLATED	1							
4	1	26106-060162	BOLT, M6X 16 PLATED	2							
5	1	719623-11700	HEAD ASSY, CYLINDER	1							1
8	3	119620-11801	GUIDE, VALVE	6							
11	3	121850-11860	PLUG, PT1/4	2							
12	3	27221-050080	PLUG, 5X 8	1							
13	3	27241-400000	PLUG, 40	2							
14	2	119623-11100	VALVE, INTAKE	3							
15	2	119620-11110	VALVE, EXHAUST	3							
16	2	119620-11120	SPRING, VALVE	6							
17	2	119620-11180	RETAINER, SPRING	6							
18	2	27310-070001	COTTER, 7	6							
19	2	124160-11340	SEAL, VALVE STEM	3							
20	2	124950-11340	SEAL, VALVE STEM	3							
21	2	104211-11370	CAP, VALVE	6							
22	1	119600-11450	PROTECTOR, NOZZLE	3							
23	1	119600-11460	GASKET, NOZZLE	6							
24	1	22351-060012	PIN, SPRING 6.0X12	2							
25	1	119620-11200	SUPPORT ASSY, ARM	1							
26	2	119620-11240	SHAFT ASSY, ROCKER	1							
29	2	119620-11260	SUPPORT, ROCKER ARM	3							
30	2	119620-11280	SPRING	2							
31	2	719620-11650	ARM ASSY, ROCKER	3							
32	3	105010-11230	SCREW, VALVE ADJUST	3							
34	3	26756-060002	NUT, LOCK M6	3							
35	2	719620-11660	ARM ASSY, ROCKER	3							
36	3	105010-11230	SCREW, VALVE ADJUST	3							
38	3	26756-060002	NUT, LOCK M6	3							
39	2	22242-000120	RING, 12	2							
40	2	26979-050162	SCREW, M5X16	1							
41	1	119620-11350	STUD	2							
42	1	26106-080452	BOLT, M8X 45 PLATED	1							
43	1	26366-080002	NUT, M8	2							
44	1	119620-11330	BONNET ASSY, HEAD	1							
45	2	119620-03020	PLATE, SHELTER	1							
46	2	119620-03031	GASKET	1							
48	2	119620-11310	GASKET, BONNET	1							
49	2	119620-11390	JOINT	1							
52	2	22217-050000	WASHER, SPRING 5	4							
53	2	26557-050102	SCREW, M5X10	4							
54	1	124160-11360	KNOB	2							
55	1	24311-000120	O-RING, 1AP12.0	2							
56	1	129795-77800	PLUG, GLOW	3							
57	1	119620-77820	CONNECTOR, GLOW PLUG	1							
58	1	119225-07910	LIFTER	1							
59	1	124160-01751	COVER, FILLER	1							
60	1	24311-000320	O-RING, 1AP32.0	1							

N:Old $\frac{100}{100}$ New, Q:Old $\frac{100}{100}$ New, R:Old $\frac{100}{100}$ New, S:Old $\frac{100}{100}$ New, W:Add, Z:Discontinued, F:Interchangeable by set, K:Q'ty Change
Copyright (C) YANMAR CO., LTD. All Rights Reserved.

OCV10-M46800

Fig.5. SUCTION MANIFOLD & AIR CLEANER

5. SUCTION MANIFOLD & AIR CLEANER



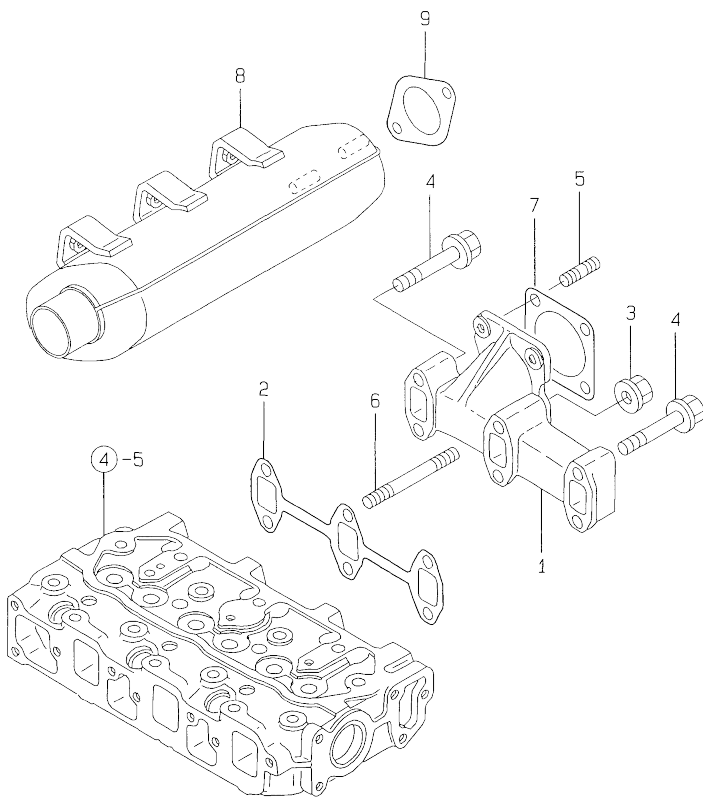
No.	Lev.	Parts No.	Description	Q'ty						I	R
				(A)	(B)	(C)	(D)	(E)	(F)		
1	1	119645-12100	MANIFOLD, AIR INTAKE	1							
2	1	119620-12111	GASKET, MANIFOLD	1							
3	1	26106-060202	BOLT, M6X 20 PLATED	6							
4	1	121855-12060	SILENCER ASSY	1							
5	1	121521-12500	CLEANER ASSY, AIR	1							
6	2	121420-12511	ELEMENT	1							
7	2	171061-12520	BODY, CLEANER	1							
8	2	121422-12530	CUP	1							
9	2	121420-12540	SCARF, BAFFLE	1							
10	2	121420-12550	CLAMP ASSY	1							
11	2	121420-12561	NUT, WING	2							
12	2	121422-12570	ELEMENT	1							
13	2	121422-12580	VALVE, UNLOADER	1							
14	2	126650-12680	INDICATOR	1							
15	1	121400-12540	BAND ASSY, CLEANER	1							
16	2	121400-12560	BAND, AIR CLEANER	1							
17	2	121400-12570	SEAT, RUBBER B	1							
18	1	171351-12580	SUPPORT ASSY, CLEANER	1							
19	2	171351-12560	SUPPORT, AIR CLEANER	1							
20	2	171351-12570	SEAT, RUBBER	1							
21	1	23000-060000	CLAMP, 60	6							

N:Old $\frac{100}{100}$ New, Q:Old $\frac{100}{100}$ New, R:Old $\frac{100}{100}$ New, S:Old $\frac{100}{100}$ New, W:Add, Z:Discontinued, F:Interchangeable by set, K:Q'ty Change
 Copyright (C) YANMAR CO., LTD. All Rights Reserved.

OCV10-M46800

Fig.6. EXHAUST MANIFOLD & SILENCER

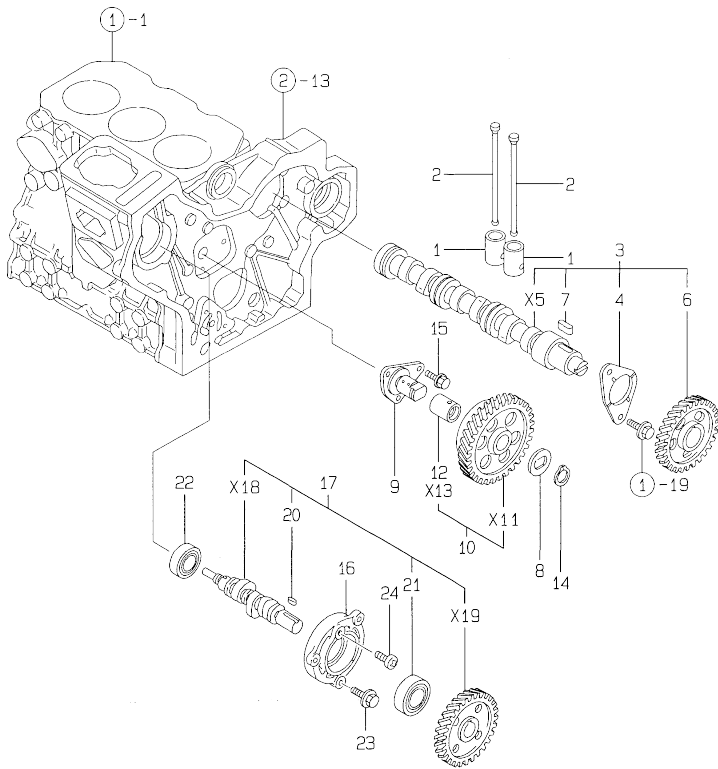
6. EXHAUST MANIFOLD & SILENCER



No.	Lev.	Parts No.	Description	Q'ty					
				(A)	(B)	(C)	(D)	(E)	(F)
1	1	119600-13100	MANIFOLD, EXHAUST	1					
2	1	119620-13110	GASKET	1					
3	1	194990-22050	NUT, M8	2					
4	1	26106-080402	BOLT, M8X 40 PLATED	4					
5	1	26216-080222	STUD, M8X 22	4					
6	1	26216-080552	STUD, M8X 55	2					
7	1	124701-11911	GASKET, SILENCER	1					
8	1	119332-13502	SILENCER	1					
9	1	129107-13550	GASKET	1					

Fig.7. CAMSHAFT & DRIVING GEAR

7. CAMSHAFT & DRIVING GEAR

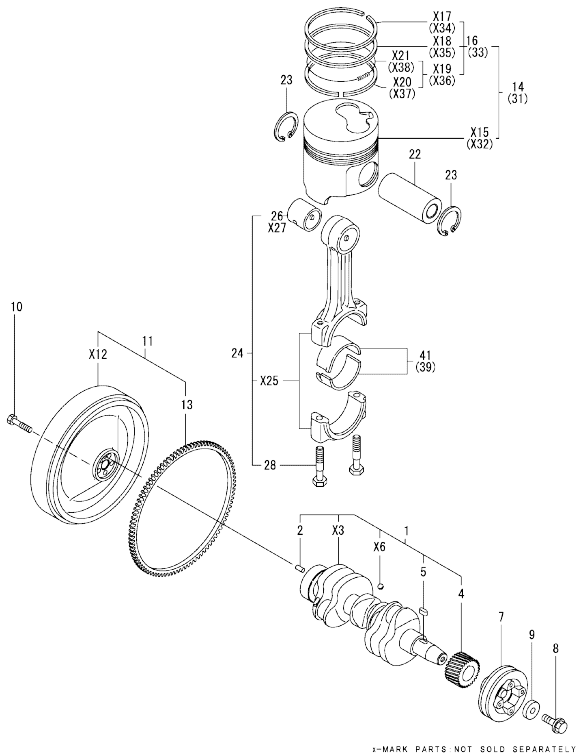


No.	Lev.	Parts No.	Description	Q'ty						I	R
				(A)	(B)	(C)	(D)	(E)	(F)		
1	1	119620-14200	TAPPET	6							
2	1	119620-14401	ROD, PUSH	6							
3	1	119629-14580	CAMSHAFT ASSY	1							
4	2	119620-02450	BEARING, THRUST	1							
6	2	119620-14100	GEAR, CAMSHAFT	1							
7	2	22512-040120	KEY, 4X 12	1							
8	1	119660-25022	RETAINER	1							
9	1	119660-25052	SHAFT, IDLE	1							
10	1	119620-25102	GEAR ASSY, IDLE	1							
12	2	119620-25912	BUSH	1							1
14	1	22242-000200	RING, 20	1							
15	1	26106-060122	BOLT, M6X 12 PLATED	3							
16	1	119660-01821	BEARING, FUEL CAM	1							
17	1	719660-14590	CAMSHAFT	1							
20	2	22512-040120	KEY, 4X 12	1							
21	2	24102-063034	BEARING, BALL 6303U	1							
22	1	24101-062034	BEARING, BALL 6203	1							
23	1	26106-060162	BOLT, M6X 16 PLATED	3							
24	1	26587-080102	SCREW, M8X10	1							

Remarks
(1) REPAIR PART.

OCV10-M46800

Fig.8. CRANKSHAFT & PISTON



No.	Lev.	Parts No.	Description	Q'ty						I	R
				(A)	(B)	(C)	(D)	(E)	(F)		
1	1	119623-21700	CRANKSHAFT ASSY	1							
2	2	129100-01580	PIN, M8X16	1							
4	2	119644-21200	GEAR, CRANKSHAFT	1							
5	2	22512-040120	KEY, 4X 12	1							
7	1	119660-21651	V-PULLEY	1							
8	1	119621-21680	BOLT, FLANGE 12X1.25	1							
9	1	119620-21941	WASHER	1							
10	1	121111-21501	BOLT, FLYWHEEL	5							
11	1	119600-21570	FLYWHEEL ASSY	1							
13	2	119865-21600	GEAR, RING	1							
14	1	119623-22080	PISTON ASSY	3							
16	2	119623-22500	RING SET, PISTON	3							
22	1	114350-22301	PIN, PISTON D=21	3							
23	1	22252-000210	RING, 21	6							
24	1	719620-23100	ROD ASSY, CONNECTING	3							
26	2	119620-23910	BEARING, PISTON PIN	3							1
28	2	105225-23200	BOLT, CONNECTING ROD	6							
31	1	119623-22900	PISTON ASSY, 0.25 OS	3							2
33	2	119623-22950	RING SET, 0.25 OS	3							2
39	1	719620-23610	BEARING ASSY, 0.25	3							3
41	1	719620-23600	BEARING, CRANK PIN	3							

Remarks

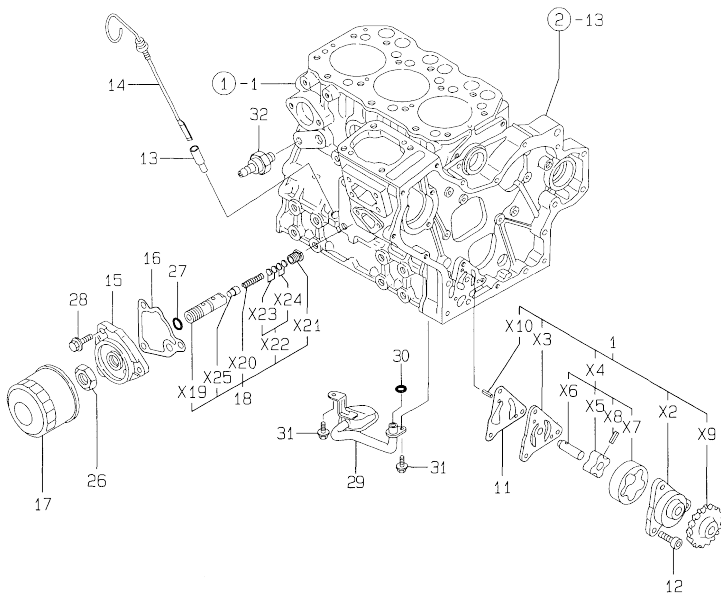
- (1) REPAIR PART.
- (2) OVER-SIZE(O.S=0.25)PART.
- (3) UNDER-SIZE(U.S=0.25)PART.

N:Old $\frac{100}{100}$ New, Q:Old $\frac{100}{100}$ New, R:Old $\frac{100}{100}$ New, S:Old $\frac{100}{100}$ New, W:Add, Z:Discontinued, F:Interchangeable by set, K:Q'ty Change
 Copyright (C) YANMAR CO., LTD. All Rights Reserved.

OCV10-M46800

Fig.9. LUB.OIL SYSTEM

9.LUB.OIL SYSTEM

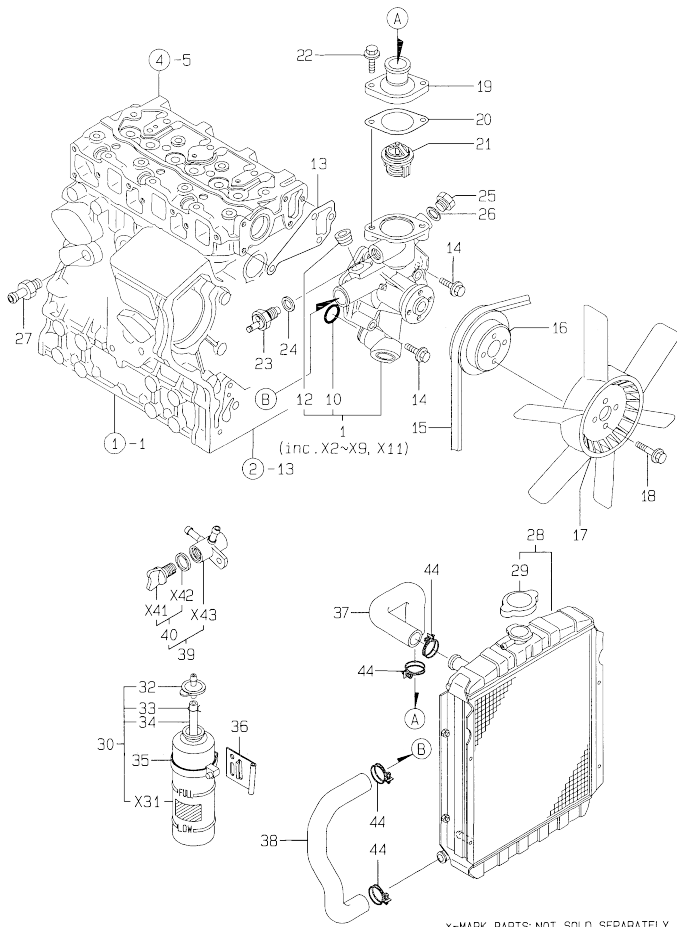


No.	Lev.	Parts No.	Description	Q'ty						I	R
				(A)	(B)	(C)	(D)	(E)	(F)		
1	1	119660-32001	PUMP ASSY, OIL	1							
11	1	119660-32020	GASKET, PUMP	1							
12	1	26450-060202	BOLT, M6X 20	3							
13	1	121520-34810	GUIDE, DIPSTICK	1							
14	1	119631-34800	DIPSTICK, OIL	1							
15	1	119660-35102	BRACKET, FILTER	1							
16	1	119660-35113	GASKET	1							
17	1	119305-35150	FILTER, OIL	1							
18	1	119660-35300	VALVE ASSY, CONTROL	1							
26	1	129150-35350	NUT	1							
27	1	24311-000160	O-RING, 1AP16.0	1							
28	1	26106-080202	BOLT, M8X 20 PLATED	3							
29	1	119600-35081	PIPE ASSY, OIL INLET	1							
30	1	24311-000120	O-RING, 1AP12.0	1							
31	1	26106-060102	BOLT, M6X 10 PLATED	2							
32	1	124160-39450	SWITCH, 0.5KG	1							

N:Old $\frac{100}{100}$ New, Q:Old $\frac{100}{100}$ New, R:Old $\frac{100}{100}$ New, S:Old $\frac{100}{100}$ New, W:Add, Z:Discontinued, F:Interchangeable by set, K:Q'ty Change
 Copyright (C) YANMAR CO., LTD. All Rights Reserved.

Fig.10. COOLING WATER SYSTEM

10. COOLING WATER SYSTEM



x-MARK PARTS: NOT SOLD SEPARATELY.

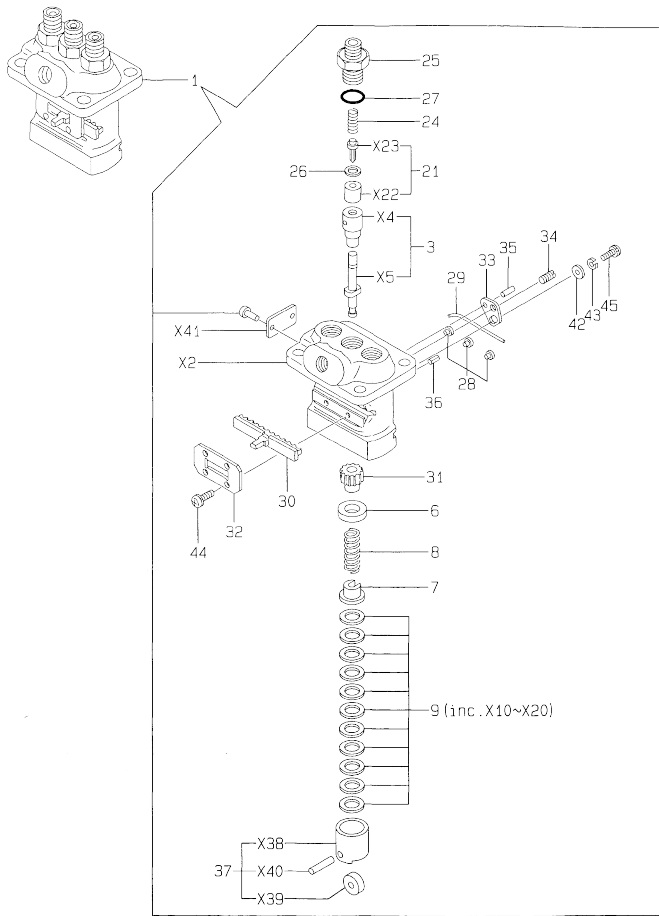
No.	Lev.	Parts No.	Description	Q'ty						I	R
				(A)	(B)	(C)	(D)	(E)	(F)		
1	1	119660-42004	PUMP ASSY, WATER	1							
10	2	119620-42320	O-RING	1							
12	2	23871-030000	PLUG, R03	1							
13	1	119620-42020	GASKET, WATER PUMP	1							
14	1	26106-080452	BOLT, M8X 45 PLATED	4							
15	1	119656-42290	V-BELT, FM35.5	1							
16	1	119660-42350	V-PULLEY	1							
17	1	124251-44740	PLATE	1							
18	1	26014-060162	BOLT, M6X 16	4							
19	1	129350-49530	COVER, THERMOSTAT	1							
20	1	129350-49541	GASKET	1							
21	1	129350-49800	THERMOSTAT, 71	1							
22	1	26106-080202	BOLT, M8X 20 PLATED	2							
23	1	121250-44901	SWITCH, 110	1							
24	1	124465-44950	GASKET, 16	1							
25	1	121450-42450	PLUG, M16	1							
26	1	124465-44950	GASKET, 16	1							
27	1	121550-49111	JOINT, PT1/4	1							
28	1	119632-44500	RADIATOR	1							
29	2	124450-44590	CAP, RADIATOR	1							
30	1	124450-44510	TANK ASSY, SUB	1							
32	2	124450-44530	CAP	1							
33	2	124450-44560	RETAINER	1							
34	2	23061-070230	PIPE, 7X 230	1							
35	1	124450-44550	BAND	1							
36	1	121256-44600	BRACKET, SUB TANK	1							
37	1	119688-49010	PIPE, WATER	1							
38	1	119632-49020	PIPE, WATER	1							
39	1	129150-49100	COCK ASSY, 3-WAY	1							
40	2	129150-49080	COCK, DRAIN	1							
44	1	23010-038000	CLAMP, 38	4							

N:Old $\frac{New}{Old}$ New. Q:Old $\frac{New}{Old}$ New. R:Old $\frac{New}{Old}$ New. S:Old $\frac{New}{Old}$ New. W:Add. Z:Discontinued. F:Interchangeable by set. K:Qty Change
Copyright (C) YANMAR CO., LTD. All Rights Reserved.

OCV10-M46800

Fig.11. FUEL INJECTION PUMP

11.FUEL INJECTION PUMP



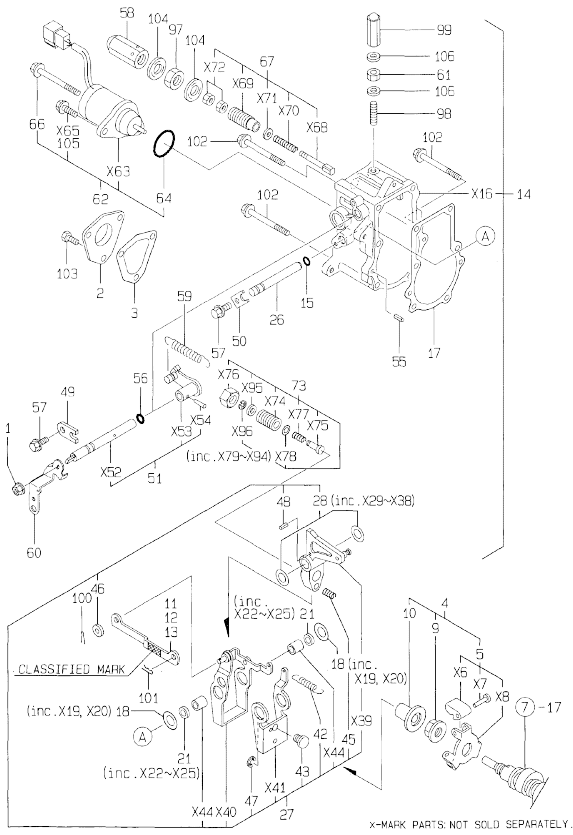
X-MARK PARTS: NOT SOLD SEPARATELY.

No.	Lev.	Parts No.	Description	Q'ty						I	R
				(A)	(B)	(C)	(D)	(E)	(F)		
1	1	719621-51100	PUMP ASSY, INJECTION	1							
3	2	119620-51101	PLUNGER ASSY	3							
6	2	119620-51170	RETAINER, SPRING A	3							
7	2	119620-51180	RETAINER, SPRING B	3							
8	2	119620-51190	SPRING, PLUNGER	3							
9	2	119620-51250	SHIM SET	3							
21	2	119620-51300	VALVE ASSY, DELIVERY	3							
24	2	105546-51330	SPRING, DELIVERY	3							
25	2	119620-51340	HOLDER, DELIVERY	3							
26	2	119620-51350	GASKET	3							
27	2	119620-51370	O-RING	3							
28	2	119620-51450	PIECE	3							
29	2	119620-51461	PIN	1							
30	2	119660-51500	RACK, CONTROL	1							
31	2	119620-51510	PINION	3							
32	2	119660-51530	RETAINER, RACK	1							
33	2	119620-51650	PLATE	2							
34	2	119620-51660	SCREW	2							
35	2	119620-51670	PIN	2							
36	2	119620-51680	PIN	1							
37	2	119620-51700	TAPPET ASSY	3							
42	2	22137-040000	WASHER, 4	2							
43	2	22217-040000	WASHER, SPRING 4	2							
44	2	26022-040082	SCREW, M4X 8	4							
45	2	26587-040102	SCREW, M4X10	2							

N:Old $\frac{New}{Old}$ New. Q:Old $\frac{New}{Old}$ New. R:Old $\frac{New}{Old}$ New. S:Old $\frac{New}{Old}$ New. W:Add. Z:Discontinued. F:Interchangeable by set. K:Q'ty Change
Copyright (C) YANMAR CO., LTD. All Rights Reserved.

Fig.12. GOVERNOR

12. GOVERNOR



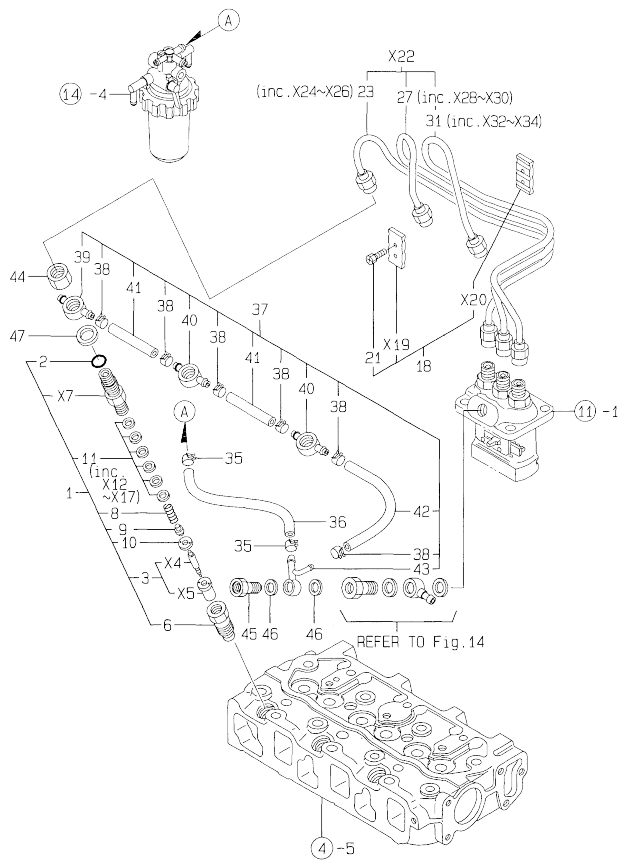
No.	Lev.	Parts No.	Description	Qty						I	R
				(A)	(B)	(C)	(D)	(E)	(F)		
1	1	194990-22050	NUT, M8	1							
2	1	119660-61060	COVER, GOVERNOR CASE	1							
3	1	119660-61071	GASKET	1							
4	1	119600-61100	DRIVE ASSY	1							
5	2	119600-61200	WEIGHT ASSY, GOVERNOR	1							
9	2	119660-61300	NUT	1							
10	2	119660-61341	SLEEVE	1							
11	1	119660-61121	LINK, NO MARK	1							1
12	1	119660-61140	LINK, MARK :2	1							1
13	1	119660-61150	LINK, MARK :3	1							1
14	1	119632-61200	CASE ASSY, GOVERNOR	1							
15	2	129155-51280	O-RING, S6	1							
17	2	119660-61052	GASKET	1							
18	2	119660-61460	SHIM SET	1							
21	2	129155-61480	SPACER ASSY	2							
26	2	119660-61491	SHAFT	1							
27	2	119232-61510	LEVER ASSY, GOVERNOR	1							
28	3	174307-51700	SHIM SET	2							
42	3	119232-61540	SPRING	1							
43	3	119600-61541	SHIFTER	1							
45	3	119660-61651	SPRING, STARTING	1							
46	3	22117-040000	WASHER, 4	1							
47	3	22272-000040	RING, E- 4	1							
48	3	22351-030014	PIN, SPRING 3.0X14	1							
49	2	119600-61900	RETAINER, SHAFT	1							
50	2	119660-61901	RETAINER, SHAFT	1							
51	2	119285-66080	SHAFT ASSY	1							
55	2	22351-040010	PIN, SPRING 4.0X10	2							
56	2	24341-000070	O-RING, 1AS7.0	1							
57	2	26106-060102	BOLT, M6X 10 PLATED	2							
58	1	129100-61930	NUT, CAP	1							
59	1	119600-66020	SPRING, REGULATOR	1							
60	1	119621-66051	LEVER, REGULATOR	1							
61	1	124550-66370	NUT, M6	1							
62	1	119653-66500	STOPPER ASSY	1							
64	2	24341-000280	O-RING, 1AS28.0	1							
66	2	26106-060952	BOLT, M6X 95 PLATED	1							
67	1	119600-66530	LIMITER ASSY, FUEL	1							
73	1	119610-66700	ANGLEICH ASSY	1							
97	1	26776-120002	NUT, LOCK M12	1							
98	1	121575-66830	SCREW	1							
99	1	119600-66840	NUT, CAP	1							
100	1	22360-040000	PIN, SNAP 4	1							
101	1	22360-060000	PIN, SNAP 6	1							
102	1	26106-060702	BOLT, M6X 70 PLATED	6							
103	1	26116-050102	BOLT, M5X 10 PLATED	3							
104	1	22190-120002	WASHER, SEAL 12	2							
105	1	121465-59950	BOLT, M6X16	1							
106	1	22190-060003	SEAL WASHER 6	2							

Remarks
 (1) SELECTIVE PARTS: CERTAIN THE CLASSIFICATION MARK, THEN PLACE YOUR ORDER(REFER TO ILLUSTRATION)

N:Old $\frac{100}{100}$ New, Q:Old $\frac{100}{100}$ New, R:Old $\frac{100}{100}$ New, S:Old $\frac{100}{100}$ New, W:Add, Z:Discontinued, F:Interchangeable by set, K:Qty Change
 Copyright (C) YANMAR CO., LTD. All Rights Reserved.

Fig.13. FUEL INJECTION VALVE

13. FUEL INJECTION VALVE



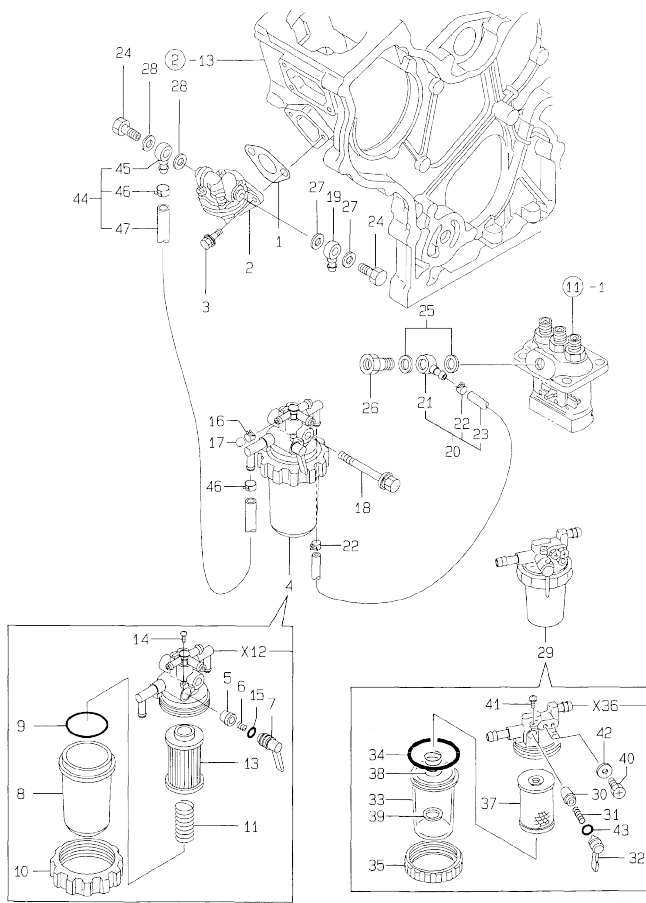
No.	Lev.	Parts No.	Description	Q'ty						I	R
				(A)	(B)	(C)	(D)	(E)	(F)		
1	1	719255-53100	VALVE ASSY,INJECTION	3							
1-1	1	719620-53100	VALVE ASSY,INJECTION	3							M
2	2	129155-61830	O-RING, S10	3							
3	2	119620-53000	VALVE ASSY,INJECTION	3							
6	2	119620-53080	NUT, NOZZLE	3							
8	2	119620-53120	SPRING, NOZZLE	3							
9	2	114250-53130	SEAT, SPRING	3							
10	2	119620-53140	SPACER, VALVE STOP	3							
11	2	114250-53400	SHIM SET	3							
18	1	129150-59120	RETAINER, PIPE	1							
21	2	129150-59131	BOLT, M4X14	2							
23	2	119620-59811	PIPE ASSY, INJECTION	1							
27	2	119620-59821	PIPE ASSY, INJECTION	1							
31	2	119620-59831	PIPE ASSY, INJECTION	1							
35	1	124766-59050	CLIP, HOSE 12	2							
36	1	121250-59080	PIPE, FUEL D12X180	1							
37	1	119642-59540	PIPE ASSY, RETURN	1							
38	2	124066-59100	CLIP, HOSE 8	6							
39	2	119260-59520	JOINT	1							
40	2	119260-59530	JOINT	2							
41	2	105025-59550	PIPE, FUEL RETURN	2							
42	2	119642-59550	PIPE, FUEL RETURN	1							
43	2	119642-59570	JOINT, OVER FLOW	1							
44	1	119620-59700	NUT, NOZZLE	3							
45	1	124550-59820	BOLT, PIPE JOINT M8	1							
46	1	23414-080012	GASKET, 8X1.0	2							
47	1	23414-140000	GASKET, 14X1.0	3							

Remarks
(M) MISPRINT.

N:Old $\frac{New}{Old}$ New, Q:Old $\frac{New}{Old}$ New, R:Old $\frac{New}{Old}$ New, S:Old $\frac{New}{Old}$ New, W:Add, Z:Discontinued, F:Interchangeable by set, K:Q'ty Change
Copyright (C) YANMAR CO., LTD. All Rights Reserved.

Fig.14. FUEL LINE

14. FUEL LINE

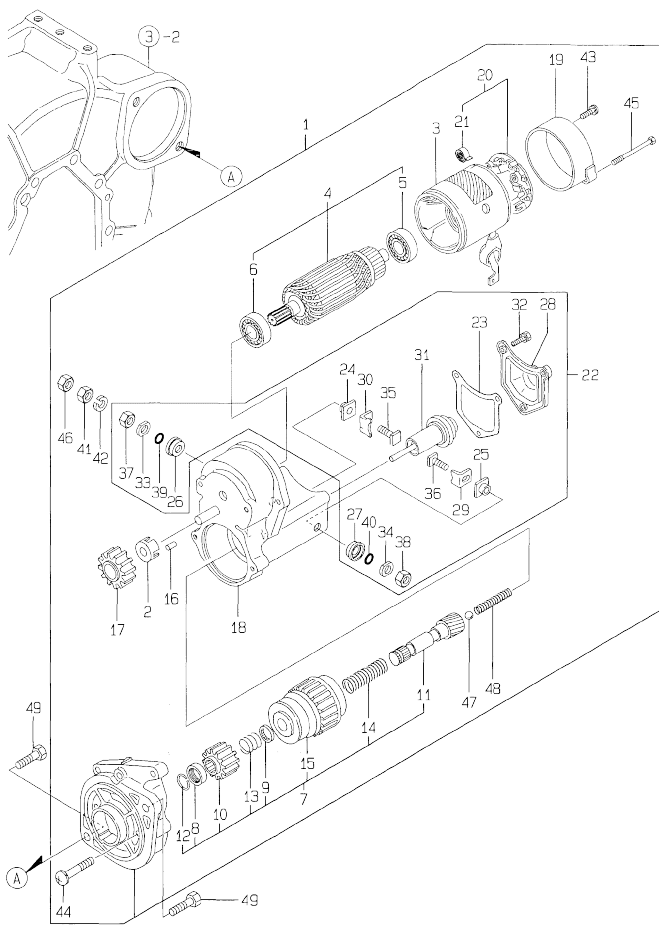


X-MARK PARTS: NOT SOLD SEPARATELY.

No.	Lev.	Parts No.	Description	Q'ty						I	R
				(A)	(B)	(C)	(D)	(E)	(F)		
1	1	121520-01851	GASKET	1							
2	1	119600-52021	PUMP ASSY, FUEL FEED	1							
3	1	26014-060202	BOLT, M6X 20	2							
4	1	119632-55620	FILTER ASSY, FUEL	1							
5	2	104200-55321	VALVE, TAPER	1							
6	2	104200-55330	SPRING, VALVE	1							
7	2	119810-55340	LEVER	1							
8	2	121254-55510	COVER	1							
9	2	102103-55520	O-RING	1							
10	2	110250-55610	RING, RETAINING	1							
11	2	121250-55620	SPRING	1							
13	2	124550-55700	FILTER, FUEL L=90	1							
14	2	104200-55750	SCREW, M4	1							
15	2	24311-240100	O-RING, 1AP10A	1							
16	1	124066-59100	CLIP, HOSE 8	1							
17	1	129150-59580	CAP	1							
18	1	26014-080702	BOLT, M8X 70	1							
19	1	104264-59030	JOINT, PIPE 8	1							
20	1	119260-59031	PIPE, FUEL	1							
21	2	101304-59020	JOINT, PIPE 12	1							
22	2	124766-59050	CLIP, HOSE 12	2							
23	2	124767-59080	PIPE, FUEL	1							
24	1	105582-59150	BOLT, PIPE JOINT	2							
25	1	104200-59170	GASKET, 12	2							
26	1	119650-59200	BOLT, PIPE JOINT M12	1							
27	1	22190-080002	WASHER, SEAL 6	2							
28	1	22190-080002	WASHER, SEAL 6	2							
29	1	121850-55800	SEPARATOR ASSY, WATER	1							
30	2	104200-55321	VALVE, TAPER	1							
31	2	104200-55330	SPRING, VALVE	1							
32	2	104200-55341	HANDLE	1							
33	2	121254-55510	COVER	1							
34	2	102103-55520	O-RING	1							
35	2	110250-55610	RING, RETAINING	1							
37	2	121850-55710	SCREEN	1							
38	2	121257-55720	SPRING	1							
39	2	121257-55731	FLOAT	1							
40	2	101720-55750	PLUG, 6	2							
41	2	104200-55750	SCREW, M4	1							
42	2	23418-060000	GASKET, 6X1.0	2							
43	2	24311-240100	O-RING, 1AP10A	1							
44	1	119244-59020	PIPE ASSY, FUEL	1							
45	2	104264-59030	JOINT, PIPE 8	1							
46	2	124766-59050	CLIP, HOSE 12	2							
47	2	121522-59100	PIPE, FUEL D12X500	1							

Fig.15. STARTING MOTOR

15. STARTING MOTOR

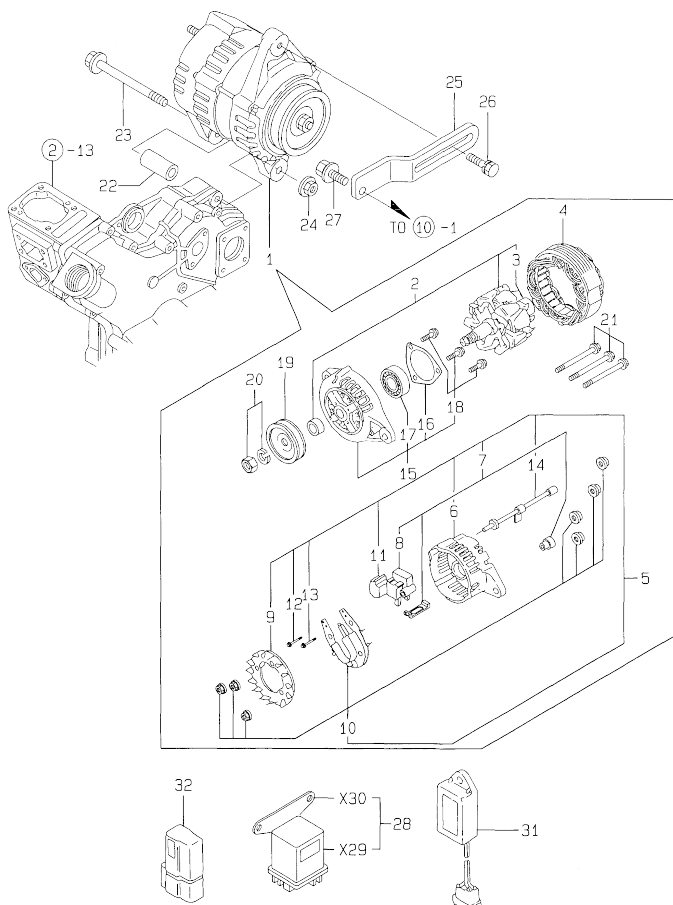


No.	Lev.	Parts No.	Description	Q'ty						I	R
				(A)	(B)	(C)	(D)	(E)	(F)		
1	1	119620-77011	STARTER	1							
2	2	X0280630011	RETAINER	1							
3	2	X0281003751	YOKE ASSY	1							
4	2	X0282001531	ARMATURE ASSY	1							
5	3	X9491001360	BEARING	1							
6	3	X9491001860	BALL BEARING	1							
7	2	X0283005050	CLUTCH, STARTER	1							
8	3	X0280210230	NUT	1							
9	3	X0283270140	RETAINER	1							
10	3	X0283715030	PINION, STARTER	1							
11	3	X0283810040	SHAFT	1							
12	3	X9490721080	RING	1							
13	3	X9491703371	SPRING, COIL	1							
14	3	X9491704260	SPRING	1							
15	3	121120-77930	CASE ASSY, STARTER	1							
16	2	X0283060061	ROLLER	5							
17	2	X0283711420	PINION	1							
18	2	X0284004910	HOUSING, STARTER	1							
19	2	X0285040631	FRAME ASSY	1							
20	2	X0285100460	HOLDER ASSY, BRUSH	1							
21	3	X9491730461	SPRING	4							
22	2	X0534006460	SWITCH, MAGNETIC	1							
23	3	X0534040320	GASKET	1							
24	3	X0534490120	BUSH	1							
25	3	X0534490120	BUSH	1							
26	3	X0534490230	BUSH	1							
27	3	X0534490230	BUSH	1							
28	3	X0535050620	COVER	1							
29	3	X0535130241	PLATE (B)	1							
30	3	X0535130320	PLATE (A)	1							
31	3	X0536600401	PLUNGER	1							
32	3	X9151005141	BOLT W/WASHER	3							
33	3	X9490170900	WASHER	1							
34	3	X9490170900	WASHER	1							
35	3	X9490441303	BOLT	1							
36	3	X9490441312	BOLT	1							
37	3	X9490502820	NUT	1							
38	3	X9490502820	NUT	1							
39	3	X9491402100	O-RING	1							
40	3	X9491402100	O-RING	1							
41	2	X9019008651	NUT	1							
42	2	X9025808001	WASHER	1							
43	2	X9490071810	SCREW W/WASHER	2							
44	2	X9490071970	SCREW W/WASHER	2							
45	2	X9490423330	BOLT W/WASHER	2							
46	2	X9490561370	NUT	1							
47	2	X9491200240	BALL	1							
48	2	X9491703380	SPRING	1							
49	1	26116-120302	BOLT, M12X 30 PLATED	2							

N:Old $\frac{New}{Old}$ New, Q:Old $\frac{New}{Old}$ New, R:Old $\frac{New}{Old}$ New, S:Old $\frac{New}{Old}$ New, W:Add, Z:Discontinued, F:Interchangeable by set, K:Q'ty Change
 Copyright (C) YANMAR CO., LTD. All Rights Reserved.

Fig.16. GENERATOR

16. GENERATOR



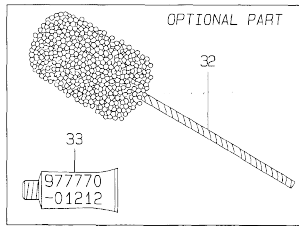
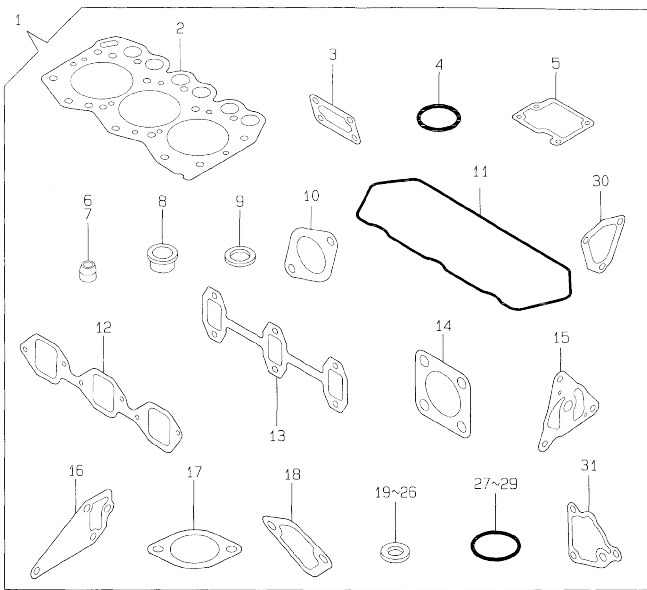
x-MARK PARTS: NOT SOLD SEPARATELY.

No.	Lev.	Parts No.	Description	Q'ty						I	R
				(A)	(B)	(C)	(D)	(E)	(F)		
1	1	119836-77200	GENERATOR	1							
2	2	119836-77700	ROTOR ASSY	1							
3	3	119836-77850	BALL BEARING	1							
4	2	119836-77710	STARTER ASSY	1							
5	2	119836-77721	COVER ASSY, REAR	1							
6	3	119836-77730	COVER, REAR	1							
7	3	119836-77741	BRUSH ASSY,REGULATOR	1							
8	4	119836-77750	BRUSH ASSY	1							
9	3	119836-77760	GUIDE, FAN SIDE	1							
10	3	119836-77770	DIODE ASSY	1							
11	3	119836-77780	CONDENSER	1							
12	3	119836-77871	BOLT (1)	1							
13	3	119836-77880	BOLT (2)	1							
14	3	119836-77890	WIRE ASSY, LEAD	1							
15	2	119836-77790	COVER ASSY, FRONT	1							
16	3	119836-77800	RETAINER, BEARING	1							
17	3	119836-77840	BALL BEARING	1							
18	3	119836-77860	SCREW KID	1							
19	2	119836-77810	PULLEY	1							
20	2	119836-77820	NUT ASSY, PULLEY	1							
21	2	119836-77830	BOLT, THROUGH	1							
22	1	119621-77340	PIECE, DISTANCE	1							
23	1	26106-081052	BOLT, M8X105 PLATED	1							
24	1	26366-080002	NUT, M8	1							
25	1	119650-77330	ADJUSTER	1							
25-1	1	119657-77330	ADJUSTER	1							N
(A=1995.11)											
26	1	26014-080252	BOLT, M8X 25	1							
27	1	26106-080162	BOLT, M8X 16 PLATED	1							
28	1	119650-77910	RELAY ASSY, GLOW	1							
31	1	119632-77920	TIMER	1							
32	1	119643-66900	DIODE	1							

N:Old $\frac{100}{100}$ New. Q:Old $\frac{100}{100}$ New. R:Old $\frac{100}{100}$ New. S:Old $\frac{100}{100}$ New. W:Add. Z:Discontinued. F:Interchangeable by set. K:Q'ty Change
 Copyright (C) YANMAR CO., LTD. All Rights Reserved.

Fig.17. GASKET SET(OPTIONAL)

17. GASKET SET (OPTIONAL)



No.	Lev.	Parts No.	Description	Q'ty						I	R	
				(A)	(B)	(C)	(D)	(E)	(F)			
1	1	719687-92610	GASKET SET	1							1	
2	2	119623-01330	GASKET, HEAD	1								
3	2	119660-01562	GASKET	1								
4	2	24311-000320	O-RING, 1AP32.0	2								
5	2	119620-03031	GASKET	1								
6	2	124950-11340	SEAL, VALVE STEM	3								
7	2	124160-11340	SEAL, VALVE STEM	3								
8	2	119600-11450	PROTECTOR, NOZZLE	3								
9	2	119600-11460	GASKET, NOZZLE	6								
10	2	129107-13550	GASKET	1								
11	2	119620-11310	GASKET, BONNET	1								
12	2	119620-12111	GASKET, MANIFOLD	1								
13	2	119620-13110	GASKET	1								
14	2	124701-11911	GASKET, SILENCER	1								
15	2	119660-32020	GASKET, PUMP	1								
16	2	119620-42020	GASKET, WATER PUMP	1								
17	2	129350-49541	GASKET	1								
18	2	121520-01851	GASKET	1								
19	2	124465-44950	GASKET, 16	2								
20	2	104200-59170	GASKET, 12	2								
21	2	23414-140000	GASKET, 14X1.0	3								
22	2	22190-080002	WASHER, SEAL 6	4								
23	2	22190-060003	SEAL WASHER 6	2								
24	2	22190-120002	WASHER, SEAL 12	2								
25	2	23414-080012	GASKET, 8X1.0	2								
26	2	22190-220002	WASHER, SEAL 22	1								
27	2	24311-000120	O-RING, 1AP12.0	5								
28	2	24311-000160	O-RING, 1AP16.0	1								
29	2	24341-000240	O-RING, 1AS24.0	1								
30	2	119660-61071	GASKET	1								
31	2	119660-35113	GASKET	1								
32	1	129400-92410	FLEX HORN	1								1
33	1	977770-01212	GASKET, LIQUID	1								1

N:Old $\frac{100}{100}$ New, Q:Old $\frac{100}{100}$ New, R:Old $\frac{100}{100}$ New, S:Old $\frac{100}{100}$ New, W:Add, Z:Discontinued, F:Interchangeable by set, K:Qty Change
 Copyright (C) YANMAR CO., LTD. All Rights Reserved.

Remarks
 (1) OPTIONAL PART.

Parts No. Index

Parts No.	Fig. No.	Ref. No.	Parts No.	Fig. No.	Ref. No.	Parts No.	Fig. No.	Ref. No.	Parts No.	Fig. No.	Ref. No.
101304-59020	14	21	119600-61200	12	5	119620-51340	11	25	119653-66500	12	62
101720-55750	14	40	119600-61541	12	43	119620-51350	11	26	119656-42290	10	15
102103-55520	14	9	119600-61900	12	49	119620-51370	11	27	119657-77330	16	25 -1
		34	119600-66020	12	59	119620-51450	11	28	119660-01492	2	13
104200-55321	14	5	119600-66530	12	67	119620-51461	11	29	119660-01510	2	15
		30	119600-66840	12	99	119620-51510	11	31	119660-01551	2	18
104200-55330	14	6	119610-66700	12	73	119620-51650	11	33	119660-01562	2	19
		31	119620-01200	1	20	119620-51660	11	34		17	3
104200-55341	14	32	119620-01620	3	6	119620-51670	11	35	119660-01570	2	20
104200-55750	14	14	119620-01750	3	4	119620-51680	11	36	119660-01590	2	1
		41	119620-01800	2	3	119620-51700	11	37	119660-01640	3	7
104200-59170	14	25	119620-02020	1	5	119620-53000	13	3	119660-01821	7	16
	17	20	119620-02410	1	18	119620-53080	13	6	119660-01911	2	4
104211-11370	4	21	119620-02450	7	4	119620-53120	13	8	119660-21651	8	7
104264-59030	14	19	119620-03020	4	45	119620-53140	13	10	119660-25022	7	8
		45	119620-03031	4	46	119620-59700	13	44	119660-25052	7	9
105010-11230	4	32		17	5	119620-59811	13	23	119660-32001	9	1
		36	119620-11110	4	15	119620-59821	13	27	119660-32020	9	11
105025-59550	13	41	119620-11120	4	16	119620-59831	13	31		17	15
105225-23200	8	28	119620-11180	4	17	119620-77011	15	1	119660-35102	9	15
105546-51330	11	24	119620-11200	4	25	119620-77820	4	57	119660-35113	9	16
105582-59150	14	24	119620-11240	4	26	119621-21680	8	8		17	31
110250-55610	14	10	119620-11260	4	29	119621-66051	12	60	119660-35300	9	18
		35	119620-11280	4	30	119621-77340	16	22	119660-42004	10	1
114250-53130	13	9	119620-11310	4	48	119623-01330	1	21	119660-42350	10	16
114250-53400	13	11		17	11		17	2	119660-51500	11	30
114350-22301	8	22	119620-11330	4	44	119623-01950	2	21	119660-51530	11	32
119225-07910	4	58	119620-11350	4	41	119623-11100	4	14	119660-61052	12	17
119232-61510	12	27	119620-11390	4	49	119623-21700	8	1	119660-61060	12	2
119232-61540	12	42	119620-11801	4	8	119623-22080	8	14	119660-61071	12	3
119244-59020	14	44	119620-12111	5	2	119623-22500	8	16		17	30
119260-07900	4	2		17	12	119623-22900	8	31	119660-61121	12	11
119260-59031	14	20	119620-13110	6	2	119623-22950	8	33	119660-61140	12	12
119260-59520	13	39		17	13	119629-14580	7	3	119660-61150	12	13
119260-59530	13	40	119620-14100	7	6	119631-34800	9	14	119660-61300	12	9
119285-66080	12	51	119620-14200	7	1	119632-44500	10	28	119660-61341	12	10
119305-35150	9	17	119620-14401	7	2	119632-49020	10	38	119660-61460	12	18
119332-13502	6	8	119620-21941	8	9	119632-55620	14	4	119660-61491	12	26
119600-01050	1	4	119620-23910	8	26	119632-61200	12	14	119660-61651	12	45
119600-01600	3	2	119620-25102	7	10	119632-77920	16	31	119660-61901	12	50
119600-01722	3	11	119620-25912	7	12	119640-01640	3	13	119688-49010	10	37
119600-11450	4	22	119620-42020	10	13	119642-59540	13	37	119810-55340	14	7
	17	8		17	16	119642-59550	13	42	119836-77200	16	1
119600-11460	4	23	119620-42320	10	10	119642-59570	13	43	119836-77700	16	2
	17	9	119620-51101	11	3	119643-66900	16	32	119836-77710	16	4
119600-13100	6	1	119620-51170	11	6	119644-21200	8	4	119836-77721	16	5
119600-21570	8	11	119620-51180	11	7	119645-12100	5	1	119836-77730	16	6
119600-35081	9	29	119620-51190	11	8	119650-59200	14	26	119836-77741	16	7
119600-52021	14	2	119620-51250	11	9	119650-77330	16	25	119836-77750	16	8
119600-61100	12	4	119620-51300	11	21	119650-77910	16	28	119836-77760	16	9

Parts No. Index

Parts No.	Fig. No.	Ref. No.
119836-77770	16	10
119836-77780	16	11
119836-77790	16	15
119836-77800	16	16
119836-77810	16	19
119836-77820	16	20
119836-77830	16	21
119836-77840	16	17
119836-77850	16	3
119836-77860	16	18
119836-77871	16	12
119836-77880	16	13
119836-77890	16	14
119865-21600	8	13
121023-01550	2	35
121111-21501	8	10
121120-01620	3	3
121120-77930	15	15
121250-44901	10	23
121250-55620	14	11
121250-59080	13	36
121254-55510	14	8
		33
121256-44600	10	36
121257-55720	14	38
121257-55731	14	39
121400-12540	5	15
121400-12560	5	16
121400-12570	5	17
121420-12511	5	6
121420-12540	5	9
121420-12550	5	10
121420-12561	5	11
121422-12530	5	8
121422-12570	5	12
121422-12580	5	13
121450-01560	2	16
121450-42450	10	25
121465-59950	12	105
121520-01851	14	1
	17	18
121520-34810	9	13
121521-12500	5	5
121522-59100	14	47
121550-49111	10	27
121575-66830	12	98
121850-11860	4	11
121850-55710	14	37
121850-55800	14	29
121855-12060	5	4

Parts No.	Fig. No.	Ref. No.
124066-59100	13	38
	14	16
124085-02220	3	9
124160-01751	2	11
	4	59
124160-11340	4	19
	17	7
124160-11360	4	54
124160-39450	9	32
124240-01871	2	30
124240-01883	2	31
124251-44740	10	17
124450-44510	10	30
124450-44530	10	32
124450-44550	10	35
124450-44560	10	33
124450-44590	10	29
124465-44950	10	24
		26
	17	19
124550-55700	14	13
124550-59820	13	45
124550-66370	12	61
124701-11911	6	7
	17	14
124766-59050	13	35
	14	22
		46
124767-59080	14	23
124950-11340	4	20
	17	6
126650-12680	5	14
129100-01580	3	1
	8	2
129100-61930	12	58
129107-13550	6	9
	17	10
129150-35350	9	26
129150-49080	10	40
129150-49100	10	39
129150-59120	13	18
129150-59131	13	21
129150-59580	14	17
129155-51280	12	15
129155-61480	12	21
129155-61830	13	2
129350-49530	10	19
129350-49541	10	20
	17	17
129350-49800	10	21

Parts No.	Fig. No.	Ref. No.
129400-92410	17	32
129795-77800	4	56
171061-12520	5	7
171351-12560	5	19
171351-12570	5	20
171351-12580	5	18
174307-51700	12	28
194990-22050	2	28
	6	3
	12	1
22117-040000	12	46
22137-040000	11	42
22190-060003	12	106
	17	23
22190-080002	14	27
		28
	17	22
22190-120002	12	104
	17	24
22190-220002	3	15
	17	26
22217-040000	11	43
22217-050000	4	52
22242-000120	4	39
22242-000200	7	14
22252-000210	8	23
22272-000040	12	47
22351-030014	12	48
22351-040010	2	17
	12	55
22351-060012	4	24
22360-040000	12	100
22360-060000	12	101
22512-040120	7	7
		20
	8	5
23000-060000	5	21
23010-038000	10	44
23061-070230	10	34
23065-120500	4	1
23414-080012	13	46
	17	25
23414-140000	13	47
	17	21
23418-060000	14	42
23871-010000	1	8
23871-030000	10	12
24101-062034	7	22
24102-063034	7	21
24311-000120	2	5

Parts No.	Fig. No.	Ref. No.
24311-000120	4	55
	9	30
	17	27
24311-000160	9	27
	17	28
24311-000320	2	12
	4	60
	17	4
24311-240100	14	15
		43
24341-000070	12	56
24341-000240	2	36
	17	29
24341-000280	12	64
26014-060162	10	18
26014-060202	14	3
26014-080252	16	26
26014-080702	14	18
26022-040082	11	44
26106-060102	9	31
	12	57
26106-060122	1	19
	3	16
	7	15
26106-060162	2	6
	4	4
	7	23
26106-060182	2	37
26106-060202	5	3
26106-060222	3	10
26106-060302	2	7
26106-060452	3	17
26106-060602	2	8
		9
26106-060702	12	102
26106-060802	2	10
26106-060952	12	66
26106-080122	2	32
26106-080142	4	3
26106-080162	16	27
26106-080202	9	28
	10	22
26106-080402	6	4
26106-080452	4	42
	10	14
26106-080652	2	33
26106-081052	16	23
26116-050102	12	103
26116-120302	15	49
26206-100252	3	5

Parts No. Index

Parts No.	Fig. No.	Ref. No.
26216-080222	6	5
26216-080552	6	6
26366-060002	2	29
26366-080002	2	34
	4	43
	16	24
26450-060202	9	12
26557-050102	4	53
26587-040102	11	45
26587-080102	7	24
26756-060002	4	34
		38
26776-120002	12	97
26979-050162	4	40
27221-050080	4	12
27231-450000	1	9
27241-120000	1	10
27241-300000	1	11
27241-400000	4	13
27310-070001	4	18
719255-53100	13	1
719620-02800	1	12
719620-02870	1	22
719620-02930	1	15
719620-11650	4	31
719620-11660	4	35
719620-23100	8	24
719620-23600	8	41
719620-23610	8	39
719620-53100	13	1 -1
719621-51100	11	1
719623-01560	1	1
719623-11700	4	5
719631-01540	3	12
719660-14590	7	17
719687-92610	17	1
977770-01212	2	38
	3	18
	17	33
X0280210230	15	8
X0280630011	15	2
X0281003751	15	3
X0282001531	15	4
X0283005050	15	7
X0283060061	15	16
X0283270140	15	9
X0283711420	15	17
X0283715030	15	10
X0283810040	15	11
X0284004910	15	18

Parts No.	Fig. No.	Ref. No.
X0285040631	15	19
X0285100460	15	20
X0534006460	15	22
X0534040320	15	23
X0534490120	15	24
		25
X0534490230	15	26
		27
X0535050620	15	28
X0535130241	15	29
X0535130320	15	30
X0536600401	15	31
X9019008651	15	41
X9025808001	15	42
X9151005141	15	32
X9490071810	15	43
X9490071970	15	44
X9490170900	15	33
		34
X9490423330	15	45
X9490441303	15	35
X9490441312	15	36
X9490502820	15	37
		38
X9490561370	15	46
X9490721080	15	12
X9491001360	15	5
X9491001860	15	6
X9491200240	15	47
X9491402100	15	39
		40
X9491703371	15	13
X9491703380	15	48
X9491704260	15	14
X9491730461	15	21

Parts No.	Fig. No.	Ref. No.
-----------	----------	----------

Parts No.	Fig. No.	Ref. No.
-----------	----------	----------