

0CD10-M48603EN

P R E F A C E

This parts catalog is the 2nd edition of 3TNE74-DG, 3TNE74-DGD for DENYO Co., Ltd..

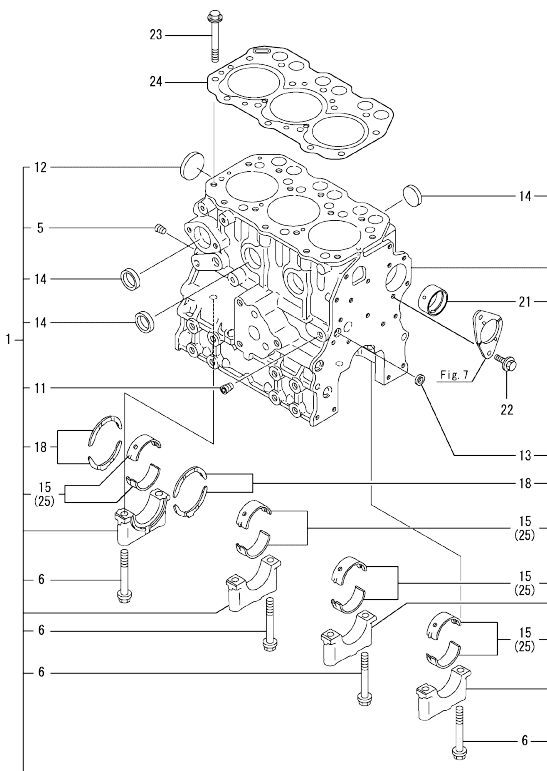
Published : June, 2020

Contents

OCD10-M48603

Fig. No.	Fig. Name	Fig. No.	Fig. Name
ENGINE			
1.	CYLINDER BLOCK		
2.	GEAR HOUSING		
3.	FLYWHEEL HOUSING & OIL SUMP		
4.	CYLINDER HEAD & BONNET		
5.	SUCTION MANIFOLD & AIR CLEANER		
6.	EXHAUST MANIFOLD		
7.	CAMSHAFT & DRIVING GEAR		
8.	CRANKSHAFT & PISTON		
9.	LUB. OIL SYSTEM		
10.	COOLING WATER SYSTEM		
19.	COOLING WATER SYSTEM		
11.	FUEL INJECTION PUMP		
12.	GOVERNOR		
20.	GOVERNOR		
13.	FUEL INJECTION VALVE		
14.	FUEL PIPE		
15.	STARTER MOTOR		
21.	STARTER MOTOR		
16.	GENERATOR		
17.	ELECTRIC PARTS		
18.	GASKET SET & TOOL		

Fig.1. CYLINDER BLOCK



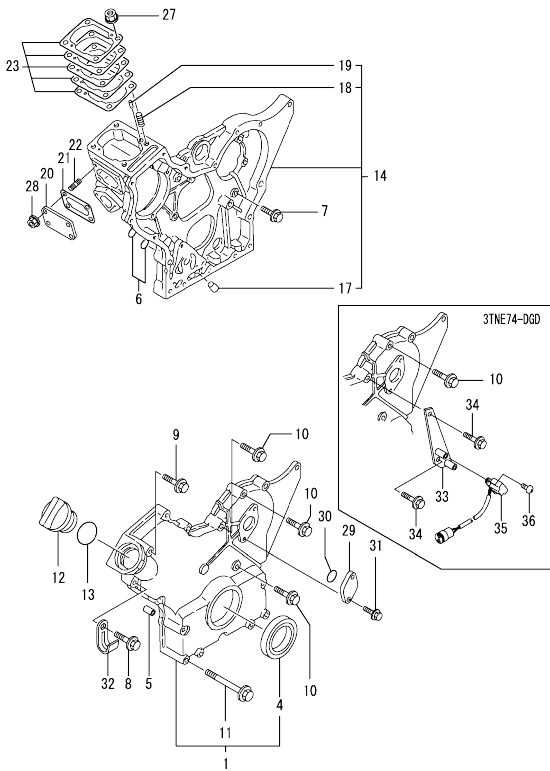
(A)=3TNE74-DG
(B)=3TNE74-DGD
(C)=

(D)=
(E)=
(F)=

No.	Lev.	Parts No.	Description	Q'ty						I	R
				(A)	(B)	(C)	(D)	(E)	(F)		
1	1	719623-01560	BLOCK ASSY, CYLINDER	1	1						
5	2	119600-01050	PLUG, PT1/4	1	1						
6	2	119620-02020	BOLT, METAL CAP	8	8						
11	2	23871-010000	PLUG, R01	1	1						
11-1	2	23876-010000	PLUG, R01	1	1						N
		(A=*1999.06) (B=*1999.06)									
12	2	27231-450000	PLUG 45	1	1						
12-1	2	119623-01250	PLUG, 45	1	1						N
		(A=*2000.01) (B=*2000.01)									
13	2	27241-120000	PLUG, 12	1	1						
14	2	27241-300000	PLUG(30	6	6						
15	2	719620-02800	METAL ASSY, MAIN	4	4						
18	2	719620-02930	METAL ASSY, THRUST	2	2						
21	2	119620-02410	BUSH, CAMSHAFT	1	1						
21-1	2	119624-02410	BUSH, CAMSHAFT	1	1						N
		(A=*1998.03) (B=*1998.03)									
22	1	26106-060122	BOLT, M6X 12 PLATED	2	2						
23	1	119620-01200	BOLT, CYLINDER HEAD	14	14						
24	1	119623-01330	GASKET, HEAD	1	1						
24-1	1	119623-01340	GASKET, HEAD	1	1						N
		(A=*1999.11) (B=*1999.11)									
25	1	719620-02870	METAL ASSY, MAIN .25	4	4						1

Remarks
(1)Under-sized(U.S.=0.25) parts.

Fig.2. GEAR HOUSING

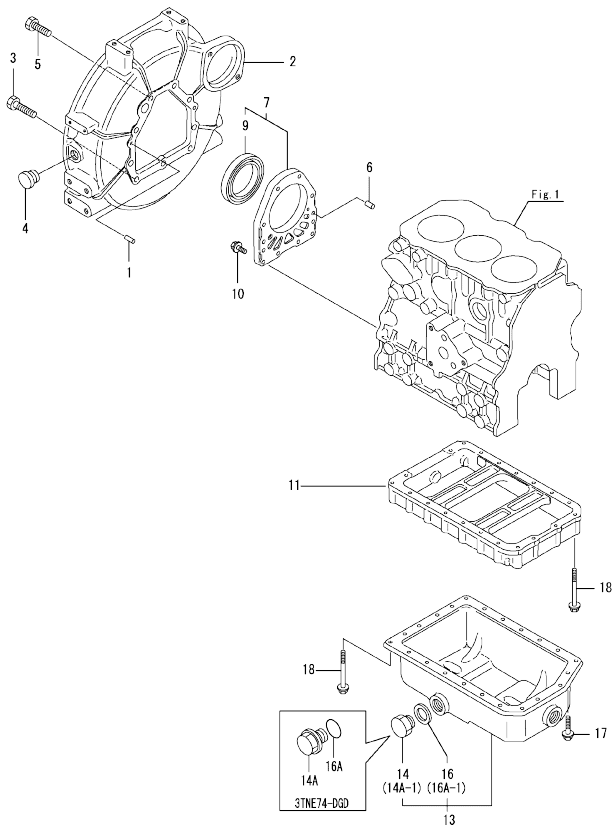


(A)=3TNE74-DG
(B)=3TNE74-DGD
(C)=

(D)=
(E)=
(F)=

No.	Lev.	Parts No.	Description	Qty						I	R
				(A)	(B)	(C)	(D)	(E)	(F)		
1	1	119610-01590	COVER ASSY,GEAR CASE	1	1						
4	2	119620-01800	SEAL, OIL HTC456208	1	1						
5	1	119660-01911	PIPE, KNOCK 6X17	4	4						
6	1	24311-000120	O-RING, 1AP12.0	2	2						
6-1	1	119624-32040	O-RING, P12.0	2	2						N
(A=1999.02) (B=1999.02)											
7	1	26106-060162	BOLT, M6X 16 PLATED	7	7						
8	1	26106-060302	BOLT, M6X 30 PLATED	8	8						
9	1	26106-060602	BOLT, M6X 60 PLATED	1	1						
10	1	26106-060602	BOLT, M6X 60 PLATED	3	1						
11	1	26106-060802	BOLT, M6X 80 PLATED	6	6						
12	1	124160-01751	CAP, FILLER	1	1						
13	1	24311-000320	O-RING, 1AP32.0	1	1						
14	1	119610-01490	CASE ASSY, GEAR	1	1						
17	2	119660-01510	PLUG, 10X14	1	1						
18	2	121450-01560	BOLT, PUMP M8X22	4	4						
19	2	22351-040010	PIN, SPRING 4.0X10	2	2						
20	1	119660-01551	COVER, PUMP CASE	1	1						
21	1	119660-01562	GASKET, PUMP COVER	1	1						
22	1	119660-01570	STUD, M6X12	4	4						
23	1	119620-01950	SHIM SET, ADJUSTING	1	1						
23-1	1	119623-01950	SHIM SET, ADJUSTING	1	1						N
(A=E11626)											
27	1	194990-22050	NUT, M8	4	4						
28	1	26366-060002	NUT, M6	4	4						
29	1	121023-01550	COVER	1	1						
29-1	1	121023-01551	COVER, TACHOMETER	1	1						N
(A=EA2907) (B=EA3492)											
30	1	24341-000240	O-RING, 1AS24.0	1	1						
31	1	26106-060162	BOLT, M6X 16 PLATED	2	2						
32	1	194440-51630	CLAMP, HARNESS C								1
33	1	119649-78510	BRACKET, PULSER								1
34	1	26106-060652	BOLT, M6X 65 PLATED								2
35	1	119649-78500	PULSER								1
36	1	26557-040082	SCREW, M4X 8								2

Fig.3. FLYWHEEL HOUSING & OIL SUMP



(A)=3TNE74-DG
(B)=3TNE74-DGD
(C)=

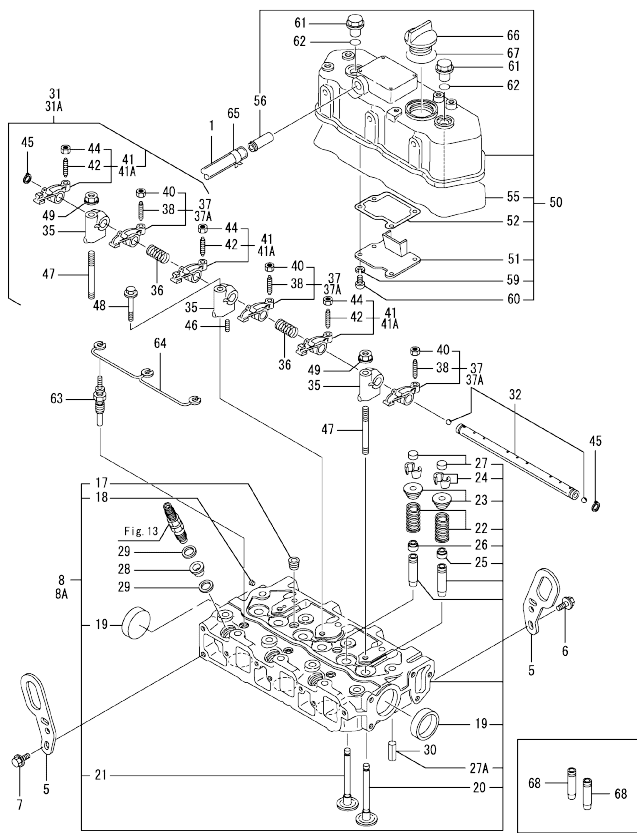
(D)=
(E)=
(F)=

No.	Lev.	Parts No.	Description	Q'ty						I	R	
				(A)	(B)	(C)	(D)	(E)	(F)			
1	1	129100-01580	PIN, PARALLEL 8X16		2	2						
2	1	119600-01600	HOUSING, FLYWHEEL		1	1						
3	1	121120-01620	BOLT, M10X28		3	3						
3-1	1	26206-100302 (A=EA9712) (B=EA9712)	BOLT, M10X 30 PLATED		3	3						N
4	1	119620-01750	CAP, WHEEL COVER		1	1						
5	1	26206-100252	BOLT, M10X 25 PLATED		6	6						
6	1	119620-01620	PIN, PARALLEL M6X10		2	2						
7	1	119660-01640	CASE ASSY, OIL SEAL		1	1						
9	2	124085-02220	SEAL, METAL HOUSING		1	1						
10	1	26106-060222	BOLT, M6X 22 PLATED		10	10						
11	1	119600-01722	SPACER, OIL PAN		1	1						
13	1	119600-01770	OIL PAN ASSY		1	1						N
13-1	1	119623-01770 (A=E10456)	OIL PAN ASSY		1	1						N
14	2	119640-01640	PLUG, DRAIN M22		1							
14-1	2	119640-01640 (A=FROM 1ST)	PLUG, DRAIN M22		2							K
14A	2	171301-01640	PLUG, DRAIN M22			2						
14A-1	2	119640-01640 (B=E98247)	PLUG, DRAIN M22			2						F 1
16	2	22190-220002	WASHER, SEAL 22		1							
16-1	2	22190-220002 (A=FROM 1ST)	WASHER, SEAL 22		2							K
16A	2	24341-000250	O-RING, 1AS25.0			2						
16A-1	2	22190-220002 (B=E98247)	WASHER, SEAL 22			2						F 1
17	1	26106-060122	BOLT, M6X 12 PLATED		3	3						
18	1	26106-060452	BOLT, M6X 45 PLATED		20	20						

Remarks

(1)No.14A & 16A are interchangeable with a set of No.14A-1 & 16A-1.

Fig.4. CYLINDER HEAD & BONNET



(A)=3TNE74-DG
(B)=3TNE74-DGD
(C)=

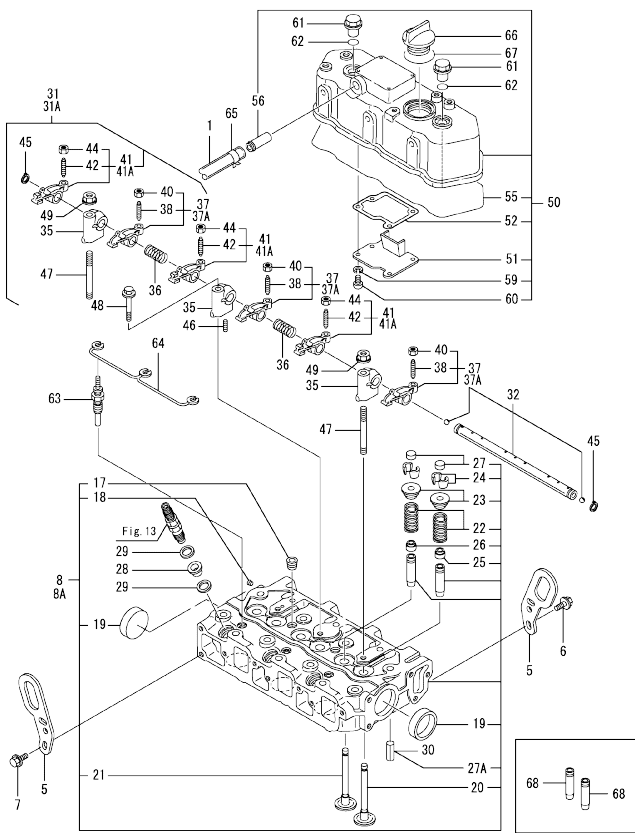
(D)=
(E)=
(F)=

No.	Lev.	Parts No.	Description	Q'ty						I	R
				(A)	(B)	(C)	(D)	(E)	(F)		
1	1	119642-03140	PIPE, BREATHER	1	1						
5	1	119260-07900	LIFTER, ENGINE	2	2						
5-1	1	119626-07900	LIFTER, ENGINE	2	2						N
6	1	26106-080142	BOLT, M8X 14 PLATED	1	1						
7	1	26106-080142	BOLT, M8X 14 PLATED	2	2						
8	1	719623-11710	HEAD ASSY, CYLINDER	1							
8A	1	719623-11700	HEAD ASSY, CYLINDER		1						
17	2	121850-11860	PLUG, TAPPER PT1/4	2	2						
17-1	2	23871-020000	PLUG, R02	2	2						R
17-2	2	23876-020000	PLUG, R02	2	2						N
18	2	27221-050080	PLUG, 5X 8	1	1						
19	2	27241-400000	PLUG, 40	2	2						
20	2	119623-11100	VALVE, INTAKE	3	3						
21	2	119620-11110	VALVE, EXHAUST	3	3						
22	2	119620-11120	SPRING, VALVE	6	6						
23	2	119620-11180	RETAINER, SPRING	6	6						
24	2	101158-11190	COTTER, VALVE SPRING	6	6						
24-1	2	27310-070001	COTTER, 7	6	6						N
25	2	124160-11340	SEAL, VALVE STEM	3	3						
26	2	124950-11340	SEAL, VALVE STEM	3	3						
27	2	104211-11370	CAP, VALVE	6	6						
27A	2	22351-060012	PIN, SPRING 6.0X12	2	2						
28	1	119600-11450	PROTECTOR, NOZZLE	3	3						
29	1	119600-11460	GASKET, NOZZLE	6	6						
30	1	22351-060012	PIN, SPRING 6.0X12	2	2						
31	1	119620-11200	SUPPORT ASSY, ROCKER	1							
31A	1	119789-11200	SUPPORT ASSY, ROCKER		1						
32	2	119620-11240	SHAFT ASSY, ARM	1	1						
35	2	119620-11260	SUPPORT, ROCKER ARM	3	3						
36	2	119620-11280	SPRING, SHAFT	2	2						
37	2	719620-11650	ARM ASSY, ROCKER INT	3							
37A	2	719789-11650	ARM ASSY, ROCKER INT		3						
38	3	105010-11230	SCREW, VALVE ADJUST	3	3						
40	3	26856-060002	NUT, M6	3	3						
41	2	719620-11660	ARM ASSY, ROCKER EXH	3							
41A	2	719789-11660	ARM ASSY, ROCKER EXH		3						
42	3	105010-11230	SCREW, VALVE ADJUST	3	3						
44	3	26856-060002	NUT, M6	3	3						
45	2	22242-000120	RING, 12	2	2						
46	2	26979-050162	SCREW, M5X16	1	1						
47	1	119620-11350	STUD, ARM SUPPORT	2	2						
48	1	26106-080452	BOLT, M8X 45 PLATED	1	1						
49	1	26366-080002	NUT, M8	2	2						
49-1	1	26306-080002	NUT, M8	2	2						N
50	1	119620-11330	BONNET ASSY, HEAD	1	1						
50-1	1	719620-11521	BONNET ASSY, HEAD	1	1						N

Remarks
(1)Spare parts.

N:Old ¹⁰⁰/₁₀₀ New, Q:Old ¹⁰⁰/₁₀₀ New, R:Old ¹⁰⁰/₁₀₀ New, S:Old ¹⁰⁰/₁₀₀ New, W:Add, Z:Discontinued, F:Interchangeable by set, K:Qty Change
++ CONTINUE ++ Copyright (C) 2020 YANMAR GLOBAL CS CO., LTD. All Rights Reserved.

Fig.4. CYLINDER HEAD & BONNET



(A)=3TNE74-DG
(B)=3TNE74-DGD
(C)=

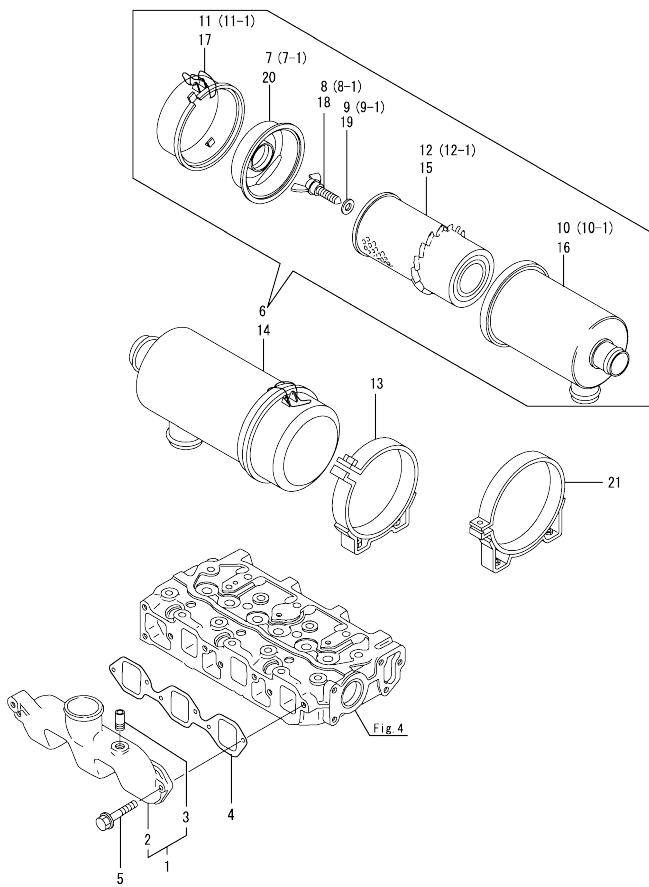
(D)=
(E)=
(F)=

No.	Lev.	Parts No.	Description	Q'ty						I	R	
				(A)	(B)	(C)	(D)	(E)	(F)			
		(A=*1999.11)	(B=*1999.11)									
51	2	119620-03020	PLATE, SHIELDING	1	1							
52	2	119620-03031	GASKET, PLATE	1	1							
55	2	119620-11310	GASKET, BONNET	1	1							
56	2	119620-11390	JOINT	1	1							
56-1	2	118400-03060	JOINT, BREATHER	1	1							R
		(A=*1998.08)	(B=*1998.08)									
59	2	22217-050000	WASHER, SPRING 5	4	4							Z
		(A=*1997.08)	(B=*1997.08)									
60	2	26557-050102	SCREW, M5X10	4	4							
60-1	2	22857-500100	SCREW, 5X10	4	4							R
		(A=*1997.08)	(B=*1997.08)									
61	1	124160-11360	KNOB, BONNET	2	2							
62	1	24311-000120	O-RING, 1AP12.0	2	2							
63	1	129795-77800	PLUG, GLOW	3	3							
64	1	119620-77820	CONNECTOR, GLOW PLUG	1	1							
65	1	171008-03990	CLAMP, HOSE 18.5	2	2							
66	1	124160-01751	CAP, FILLER	1	1							
67	1	24311-000320	O-RING, 1AP32.0	1	1							
68	1	119620-11801	GUIDE, VALVE	6	6							1

Remarks

(1) Spare parts.

Fig.5. SUCTION MANIFOLD & AIR CLEANER



(A)=3TNE74-DG
(B)=3TNE74-DGD
(C)=

(D)=
(E)=
(F)=

No.	Lev.	Parts No.	Description	Q'ty						I	R
				(A)	(B)	(C)	(D)	(E)	(F)		
1	1	119642-12100	MANIFOLD ASSY,INTAKE	1	1						
2	2	119642-12110	MANIFOLD, AIR INTAKE	1	1						
3	2	104207-44480	JOINT, RUBBER PIPE	1	1						
4	1	119620-12111	GASKET, MANIFOLD	1	1						
5	1	26106-060202	BOLT, M6X 20 PLATED	6	6						
6	1	129350-12500	CLEANER ASSY, AIR	1							
6-1	1	129350-12501	CLEANER ASSY, AIR	1							R
		(A=*2002.04)									
7	2	129350-12540	BAFFLE ASSY	1							
7-1	2	121120-12541	RETAINER, ELEMENT	1							S
		(A=FROM 1ST)									
8	2	121120-12560	BOLT, WING	1							
8-1	2	121120-12561	BOLT, WING	1							S
		(A=FROM 1ST)									
9	2	121120-12570	WASHER, SEAL 14	1							
9-1	2	121120-12571	WASHER, SEAL	1							S
		(A=FROM 1ST)									
10	2	129350-12520	BODY, AIR CLEANER	1							
10-1	2	129350-12650	CASE ASSY, CLEANER	1							S
		(A=FROM 1ST)									
11	2	129350-12530	PAN ASSY, DUST	1							
11-1	2	129350-12660	DUSTPAN ASSY	1							S
		(A=FROM 1ST)									
12	2	124756-12510	ELEMENT	1							
12-1	2	129350-12900	ELEMENT, AIR CLEANER	1							S
		(A=FROM 1ST)									
13	1	170903-12560	BAND, AIR CLEANER	1							
14	1	171033-12500	CLEANER ASSY, AIR	1							
14-1	1	171033-12501	CLEANER ASSY, AIR	1							R
		(B=*2002.04)									
15	2	171033-12510	ELEMENT	1							
16	2	171033-12540	CASE ASSY, CLEANER	1							
17	2	171033-12560	PAN ASSY, DUST	1							
18	2	124064-12680	WING BOLT	1							
19	2	124064-12690	WASHER, SEAL 8	1							
20	2	121465-12700	RETAINER, ELEMENT	1							
21	1	171126-12580	BAND, AIR CLEANER	1							

Fig.6. EXHAUST MANIFOLD

(A)=3TNE74-DG
 (B)=3TNE74-DGD
 (C)=

(D)=
 (E)=
 (F)=

No.	Lev.	Parts No.	Description	Q'ty						I	R
				(A)	(B)	(C)	(D)	(E)	(F)		
1	1	119600-13100	MANIFOLD, EXHAUST	1	1						
2	1	119620-13110	GASKET, MANIFOLD	1	1						
3	1	194990-22050	NUT, M8	2	2						
4	1	26106-080402	BOLT, M8X 40 PLATED	4	4						
4-1	1	119802-13600	BOLT, M8X40	4	4					N	
		(A=*2002.09) (B=*2002.09)									
4-2	1	129E00-13620	BOLT, M8X40 10.9	4	4					N	
		(A=E09174) (B=EB2121)									
5	1	26216-080222	STUD, M8X 22	4	4						
5-1	1	119131-18320	STUD, M8X22	4	4					N	
		(A=*1998.01) (B=*1998.01)									
6	1	26216-080552	STUD, M8X 55	2	2						
6-1	1	129054-13210	STUD, M8X55	2	2					N	
		(A=*2002.09) (B=*2002.09)									
7	1	121000-13201	GASKET, SILENCER	1	1						

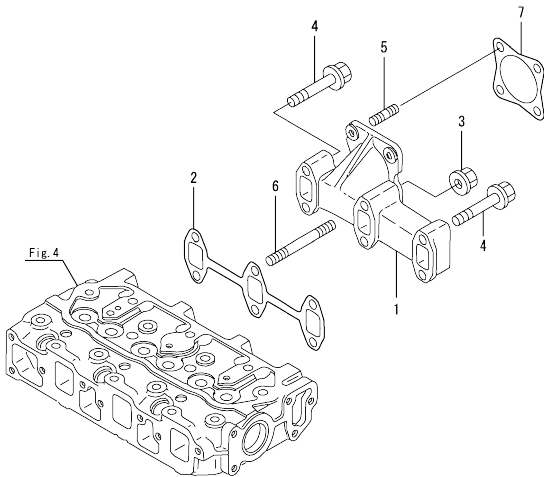
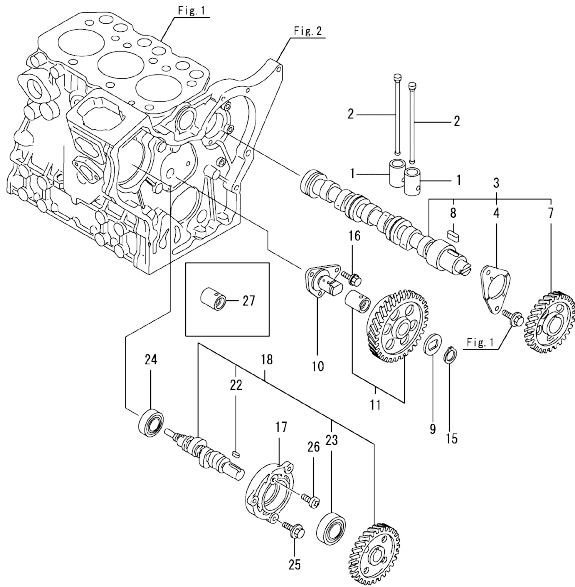


Fig.7. CAMSHAFT & DRIVING GEAR

(A)=3TNE74-DG
 (B)=3TNE74-DGD
 (C)=

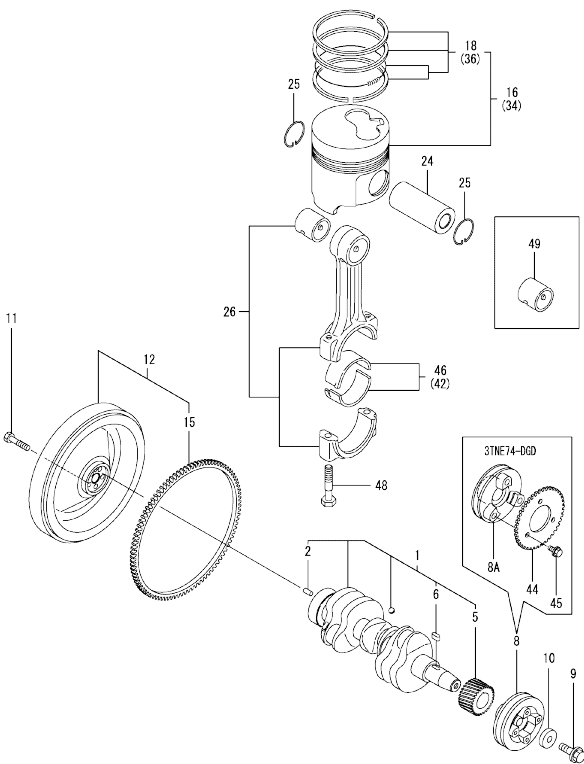
(D)=
 (E)=
 (F)=



No.	Lev.	Parts No.	Description	Q'ty						I	R
				(A)	(B)	(C)	(D)	(E)	(F)		
1	1	119620-14200	TAPPET	6	6						
2	1	119620-14401	ROD, PUSH	6	6						
3	1	119629-14580	CAMSHAFT ASSY	1	1						
4	2	119620-02450	METAL, CAMSHAFT	1	1						
7	2	119620-14100	GEAR, CAMSHAFT	1	1						
8	2	22512-040120	KEY, 4X 12	1	1						
9	1	119660-25022	RETAINER, IDLE GEAR	1	1						
10	1	119660-25052	SHAFT, IDLE GEAR	1	1						
11	1	119620-25102	GEAR ASSY, IDLE	1	1						
15	1	22242-000200	RING, 20	1	1						
16	1	26106-060122	BOLT, M6X 12 PLATED	3	3						
17	1	119660-01821	BEARING, FUEL CAM	1	1						
18	1	719660-14590	CAMSHAFT ASSY, PUMP	1	1						
22	2	22512-040120	KEY, 4X 12	1	1						
23	2	24102-063034	BEARING, BALL 6303U	1	1						
24	1	24101-062034	BEARING, BALL 6203	1	1						
25	1	26106-060162	BOLT, M6X 16 PLATED	3	3						
26	1	26587-080102	SCREW, M8X10	1	1						
27	1	119620-25912	BUSH, IDLE GEAR	1	1						1

Remarks
 (1)Spare parts.

Fig.8. CRANKSHAFT & PISTON



(A)=3TNE74-DG
(B)=3TNE74-DGD
(C)=

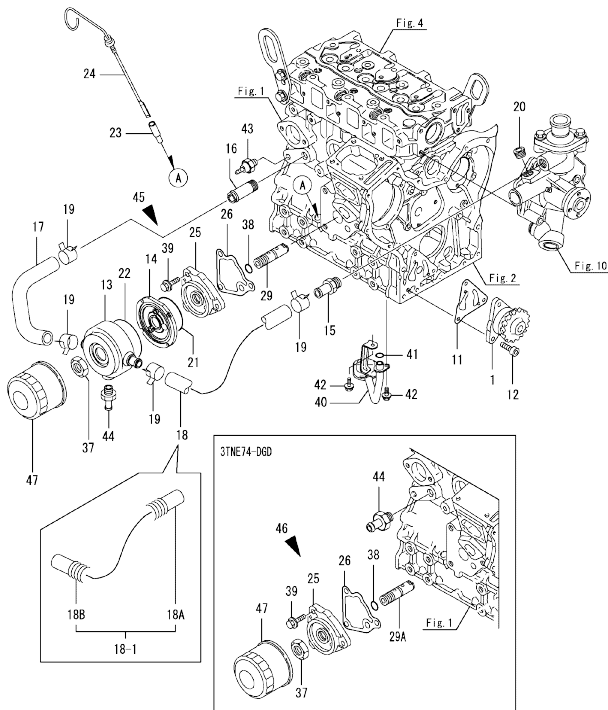
(D)=
(E)=
(F)=

No.	Lev.	Parts No.	Description	Q'ty						I	R
				(A)	(B)	(C)	(D)	(E)	(F)		
1	1	119623-21700	CRANKSHAFT ASSY	1	1						
2	2	129100-01580	PIN, PARALLEL 8X16	1	1						
5	2	119644-21200	GEAR, CRANKSHAFT	1	1						
6	2	22512-040120	KEY, 4X 12	1	1						
8	1	119660-21651	V-PULLEY, CRANKSHAFT	1							
8A	1	119649-21650	V-PULLEY, CRANKSHAFT		1						
9	1	119621-21680	BOLT, FLANGE 12X1.25	1	1						
9-1	1	119621-21681 (A=EB2021) (B=EB0767)	BOLT, FLANGE 12X1.25	1	1						N
10	1	119620-21941	WASHER, 12	1	1						
11	1	121111-21501	BOLT, FLYWHEEL	5	5						
12	1	119643-21590	FLYWHEEL ASSY	1	1						
15	2	119865-21600	GEAR, RING Z=116	1	1						
16	1	119623-22080	PISTON ASSY	3	3						
18	2	119623-22500	RING SET, PISTON	3	3						
24	1	114350-22301	PIN, PISTON D=21	3	3						
24-1	1	114399-22300 (A=*2000.08) (B=*2000.08)	PIN, PISTON D=21	3	3						N
25	1	22252-000210	RING, 21	6	6						
26	1	719620-23100	ROD ASSY, CONNECTING	3	3						
34	1	119623-22900	PISTON ASSY, 0.25 OS	3	3						
36	2	119623-22950	RING SET, PISTON .25	3	3						2
42	1	719620-23610	METAL ASSY, PIN .25	3	3						3
44	1	119649-78650	GEAR, PULSER	1							
45	1	26106-100142	BOLT, M10X 14 PLATED	3							
46	1	719620-23600	METAL ASSY, CRANK PIN	3	3						
48	1	105225-23200	BOLT, CONNECTING ROD	6	6						
48-1	1	119717-23200 (A=EB1551) (B=EB1551)	BOLT, CONNECTING ROD	6	6						R
49	1	119620-23910	METAL, PISTON PIN	3	3						1

Remarks

- (1) Spare parts.
- (2) Over-sized (O.S.=0.25) parts.
- (3) Under-sized (U.S.=0.25) parts.

Fig.9. LUB. OIL SYSTEM



(A)=3TNE74-DG
(B)=3TNE74-DGD
(C)=

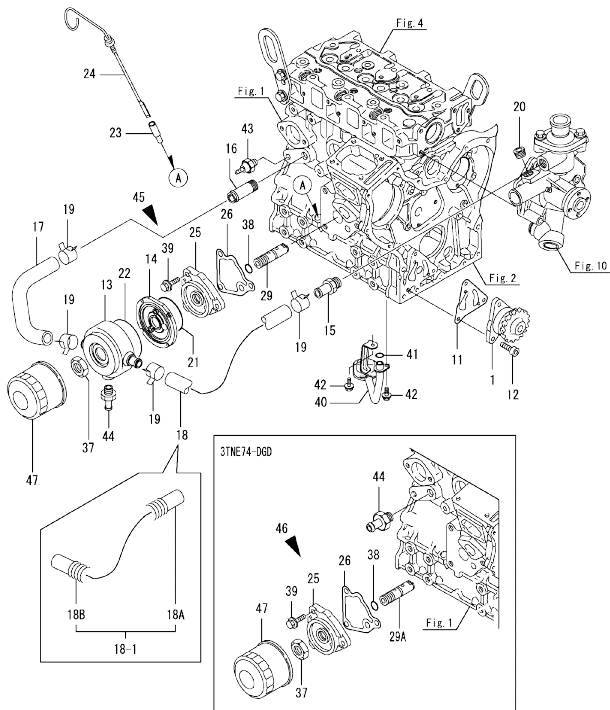
(D)=
(E)=
(F)=

No.	Lev.	Parts No.	Description	Q'ty						I	R
				(A)	(B)	(C)	(D)	(E)	(F)		
1	1	119660-32001	PUMP ASSY, OIL	1	1						
11	1	119660-32020	GASKET, PUMP	1	1						
12	1	26450-060202	BOLT, M6X 20	3	3						
13	1	119642-33030	COOLER, OIL	1							
14	1	119642-33100	BRACKET, COOLER	1							
15	1	119265-44400	JOINT, COOLER RETURN	1							
16	1	129122-44480	JOINT, PT1/4	1							
17	1	119642-49030	HOSE, WATER	1							
18	1	129403-49050	HOSE, WATER	1							
18-1	1	129403-49060	PIPE, COOLER	1							N
		(A=2001.12)									
18A	2	129403-49050	HOSE, WATER	1							W
		(A=2001.12)									
18B	2	129956-49230	TUBE, CORRUGATED	1							W
		(A=2001.12)									
19	1	23000-022000	CLAMP, 22	4							
20	1	23871-030000	PLUG, R03	1							
20-1	1	23876-030000	PLUG, R03	1							N
		(A=1999.06)									
21	1	24321-000600	O-RING, 1AG60.0	1							
22	1	24321-000700	O-RING, 1AG70.0	1							
23	1	121520-34810	GUIDE, DIPSTICK	1	1						
24	1	119623-34820	DIPSTICK, OIL	1	1						
24-1	1	119623-34830	DIPSTICK, OIL	1							N
		(A=E10456)									
25	1	119660-35102	BRACKET, FILTER	1	1						
26	1	119660-35113	GASKET, BRACKET	1	1						
29	1	129120-35301	VALVE ASSY, CONTROL	1							
29-1	1	119623-35300	VALVE ASSY, CONTROL	1							N
		(A=2001.06)									
29A	1	119660-35300	VALVE ASSY, CONTROL		1						
29A-1	1	119609-35300	VALVE ASSY, CONTROL		1						N
		(B=2001.06)									
37	1	129150-35350	NUT	1	1						
38	1	24311-000160	O-RING, 1AP16.0	1	1						
38-1	1	119609-32040	O-RING, P16	1	1						N
		(A=2001.06) (B=2001.06)									
39	1	26106-080202	BOLT, M8X 20 PLATED	3	3						
40	1	119600-35091	PIPE ASSY, OIL INLET	1	1						
40-1	1	119623-35090	PIPE ASSY, OIL INLET	1							N
		(A=E10456)									
41	1	24311-000120	O-RING, 1AP12.0	1	1						
41-1	1	24311-000110	O-RING, 1AP11.0	1	1						R
		(A=1997.02) (B=1997.02)									
41-2	1	119209-35030	O-RING, P11	1	1						R
		(A=1997.05) (B=1997.05)									
42	1	26106-060102	BOLT, M6X 10 PLATED	2	2						
43	1	124160-39450	SWITCH, HYDRAULIC	1	1						
43-1	1	114250-39450	SWITCH, HYDRAULIC	1	1						N
		(A=1999.12) (B=1999.12)									
44	1	121550-49111	JOINT, PT1/4	1	1						

Remarks

- (1) Spare parts.
- (2) The inner parts include No.25, 29-1, 37 & 38-1.
- (2) The inner parts include No.25, 29A-1, 37 & 38-1.

Fig.9. LUB. OIL SYSTEM



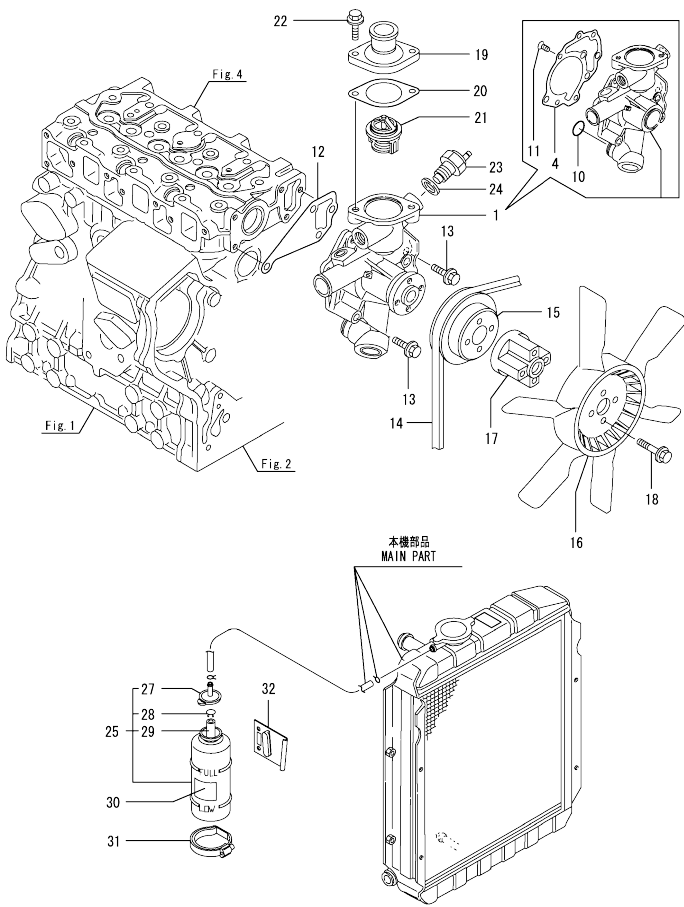
(A)=3TNE74-DG
(B)=3TNE74-DGD
(C)=

(D)=
(E)=
(F)=

No.	Lev.	Parts No.	Description	Q'ty						I	R
				(A)	(B)	(C)	(D)	(E)	(F)		
45	1	119623-35000 (A=*2001.06)	BRACKET, FILTER	1						W	2
46	1	119609-35000 (B=*2001.06)	BRACKET ASSY, FILTER		1					W	3
47	1	119305-35151	FILTER ASSY, D68XL65	1	1						1

- Remarks
 (1)Spare parts.
 (2)The inner parts include No.25, 29-1, 37 & 38-1.
 (2)The inner parts include No.25, 29A-1, 37 & 38-1.

Fig.10. COOLING WATER SYSTEM

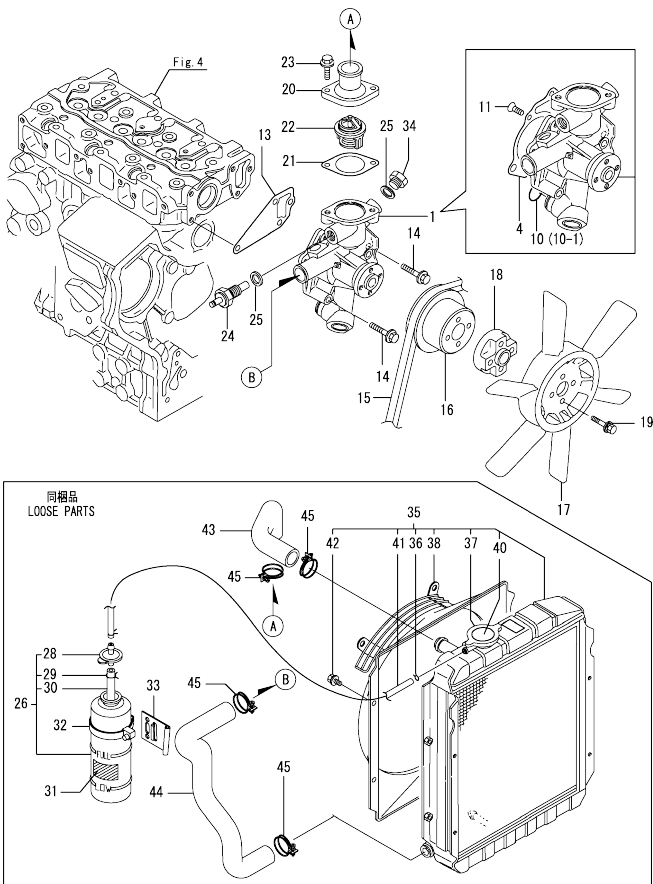


(A)=3TNE74-DG
(B)=3TNE74-DGD
(C)=

(D)=
(E)=
(F)=

No.	Lev.	Parts No.	Description	Q'ty						I	R
				(A)	(B)	(C)	(D)	(E)	(F)		
1	1	119642-42000	PUMP ASSY, WATER	1							
4	2	119660-42051	GASKET	1							
10	2	119620-42320	O-RING	1							
10-1	2	119609-42320	O-RING	1							N
		(A=2000.09)									
11	2	26577-060122	SCREW, M6X12	5							
12	1	119620-42020	GASKET, WATER PUMP	1							
12-1	1	119620-42021	GASKET, WATER PUMP	1							N
		(A=2000.03)									
13	1	26106-080452	BOLT, M8X 45 PLATED	4							
14	1	119640-42290	V-BELT, FM36.5	1							
15	1	119642-42350	V-PULLEY, PUMP D=97	1							
16	1	171037-44740	FAN, COOLING D=335XN	1							
17	1	119256-44760	SPACER, FAN	1							
18	1	26106-060602	BOLT, M6X 60 PLATED	4							
18-1	1	26106-060552	BOLT, M6X 55 PLATED	4							N
		(A=FROM 1ST)									
19	1	129350-49530	COVER, THERMOSTAT	1							
20	1	129350-49541	GASKET, COVER	1							
21	1	129350-49800	THERMOSTAT, 71C	1							
22	1	26106-080202	BOLT, M8X 20 PLATED	2							
23	1	119265-44900	SWITCH, 115	1							
23-1	1	121250-44901	SWITCH, TEMPERATURE	1							N
		(A=2002.10)									
24	1	124465-44950	GASKET, 16	1							
25	1	124450-44510	TANK ASSY, SUB	1							
27	2	124450-44530	CAP, SUB TANK	1							
28	2	124450-44560	CLAMP, PIPE	1							
29	2	23061-070230	PIPE, 7X 230	1							
30	1	121470-44540	LABEL, SUB TANK	1							
31	1	124450-44550	BAND, SUB TANK	1							
32	1	121256-44600	BRACKET, SUB TANK	1							

Fig.19. COOLING WATER SYSTEM



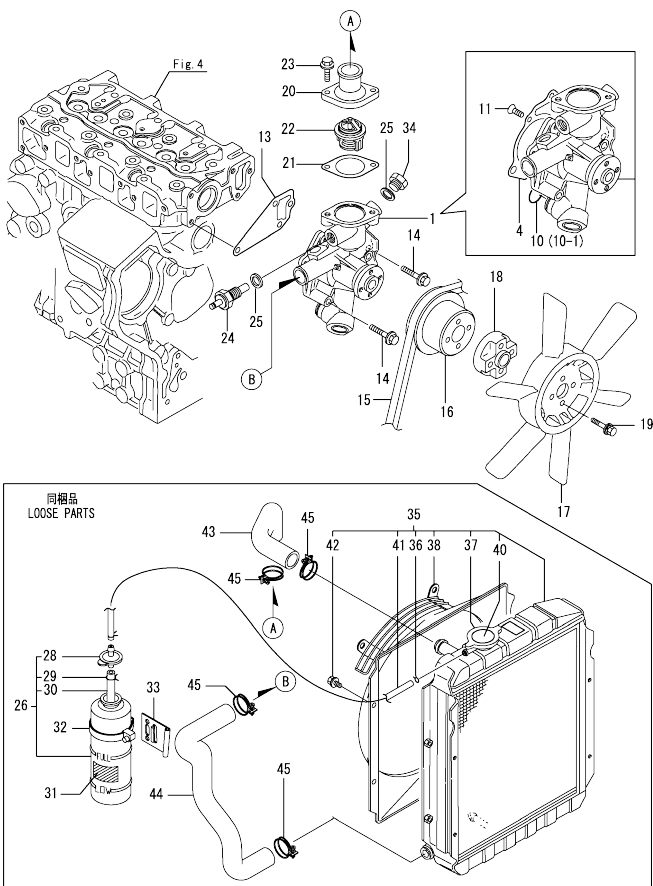
(A)=3TNE74-DG
(B)=3TNE74-DGD
(C)=

(D)=
(E)=
(F)=

No.	Lev.	Parts No.	Description	Q'ty						I	R
				(A)	(B)	(C)	(D)	(E)	(F)		
1	1	119660-42004	PUMP ASSY, WATER		1						
1-1	1	119660-42009	PUMP ASSY, WATER		1						N
(B=E88734)											
4	2	119660-42052	GASKET, WATER PUMP		1						
10	2	119620-42320	O-RING		1						
10-1	2	119609-42320	O-RING		1						S
(B=E88734)											
11	2	26577-060122	SCREW, M6X12		5						
13	1	119620-42020	GASKET, WATER PUMP		1						
13-1	1	119620-42021	GASKET, WATER PUMP		1						N
(B=*2000.03)											
14	1	26106-080452	BOLT, M8X 45 PLATED		4						
15	1	119650-42291	V-BELT, 35		1						
15-1	1	25157-003500	V-BELT, M35		1						R
(B=E89756)											
16	1	119660-42350	V-PULLEY, PUMP D=85		1						
17	1	119620-44741	FAN, COOLING D=310		1						
18	1	121267-44760	SPACER, FAN 18MM		1						
19	1	26014-060302	BOLT, M6X 30		4						
20	1	129350-49530	COVER, THERMOSTAT		1						
21	1	129350-49541	GASKET, COVER		1						
22	1	129350-49800	THERMOSTAT, 71C		1						
23	1	26106-080202	BOLT, M8X 20 PLATED		2						
24	1	121250-44901	SWITCH, TEMPERATURE		1						
25	1	124465-44950	GASKET, 16		2						
26	1	124450-44510	TANK ASSY, SUB		1						
28	2	124450-44530	CAP, SUB TANK		1						
29	2	124450-44560	CLAMP, PIPE		1						
30	2	23061-070230	PIPE, 7X 230		1						
31	1	121470-44540	LABEL, SUB TANK		1						
32	1	124450-44550	BAND, SUB TANK		1						
33	1	121256-44600	BRACKET, SUB TANK		1						
34	1	121450-42450	PLUG, M16		1						
35	1	119631-44502	RADIATOR		1						
35-1	1	119631-44503	RADIATOR		1						R
(B=EB2127)											
36	2	121250-44590	CLAMP, HOSE 12		2						
37	2	124450-44590	CAP, RADIATOR		1						
38	2	119631-44610	SHROUD		1						
38-1	2	119631-44611	SHROUD		1						R
(B=EB2127)											
40	2	119631-44800	LABEL, RADIATOR		1						Z
(B=EB2127)											
41	2	124738-49150	PIPE, DRAIN L=300		1						
41-1	2	129132-44530	HOSE, RUBBER		1						N
(B=EB2127)											
42	2	26014-080162	BOLT, M8X 16		4						
42-1	2	26106-080122	BOLT, M8X 12 PLATED		4						N
(B=EB0767)											
42-2	2	26014-080162	BOLT, M8X 16		4						N
(B=EB2127)											

N:Old $\frac{100}{100}$ New, Q:Old $\frac{100}{100}$ New, R:Old $\frac{100}{100}$ New, S:Old $\frac{100}{100}$ New, W:Add, Z:Discontinued, F:Interchangeable by set, K:Q'ty Change
 ++ CONTINUE ++
 Copyright (C) 2020 YANMAR GLOBAL CS CO., LTD. All Rights Reserved.

Fig.19. COOLING WATER SYSTEM

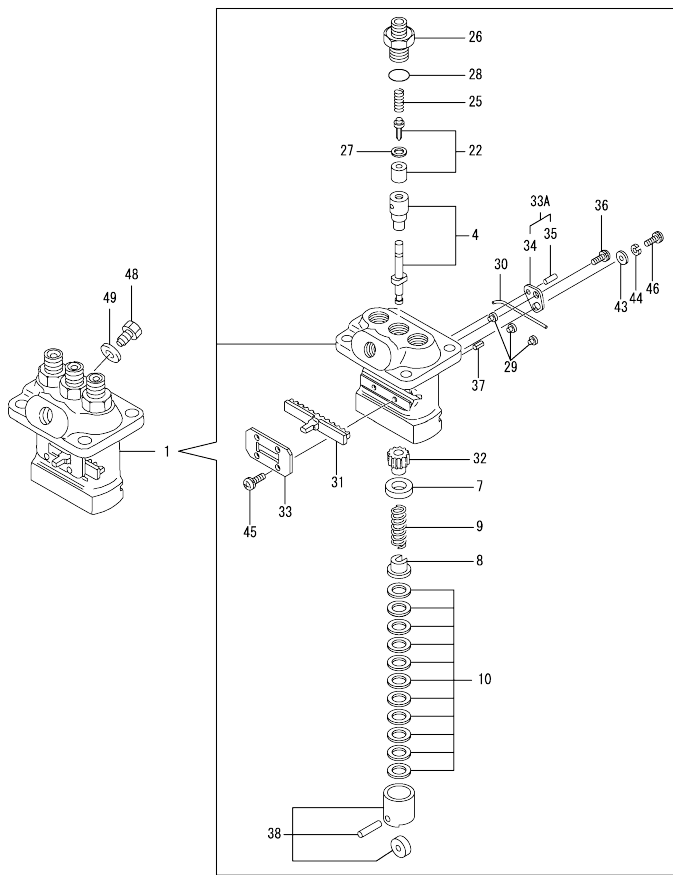


(A)=3TNE74-DG
(B)=3TNE74-DGD
(C)=

(D)=
(E)=
(F)=

No.	Lev.	Parts No.	Description	Q'ty						
				(A)	(B)	(C)	(D)	(E)	(F)	
43	1	119645-49010	PIPE, WATER A		1					
44	1	119645-49020	HOSE, WATER B		1					
45	1	23010-038000	CLAMP, 38		4					

Fig.11. FUEL INJECTION PUMP



(A)=3TNE74-DG
(B)=3TNE74-DGD
(C)=

(D)=
(E)=
(F)=

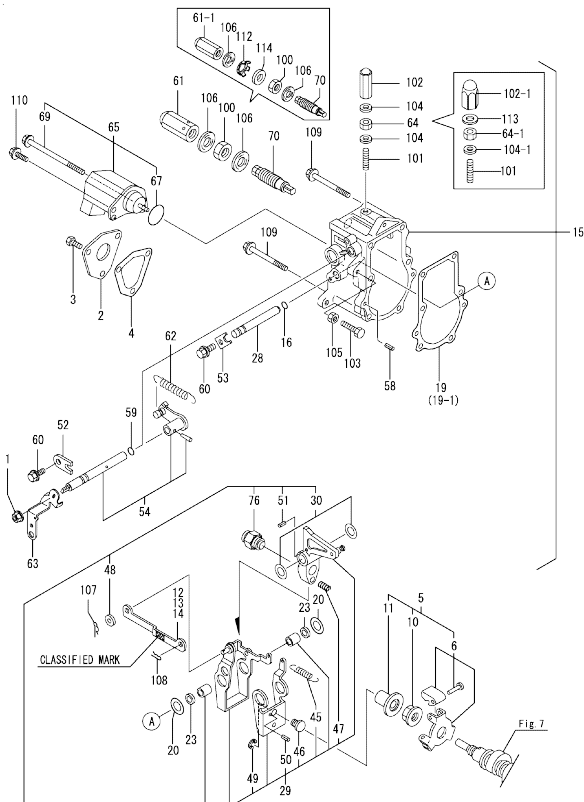
No.	Lev.	Parts No.	Description	Qty						I	R
				(A)	(B)	(C)	(D)	(E)	(F)		
1	1	719621-51100	PUMP ASSY, INJECTION	1	1						
1-1	1	719624-51100	PUMP ASSY, INJECTION	1	1						N
		(A=*2000.04) (B=*2000.04)									
4	2	119620-51101	PLUNGER ASSY	3	3						
7	2	119620-51170	SEAT, SPRING A	3	3						
8	2	119620-51180	SEAT, SPRING B	3	3						
9	2	119620-51190	SPRING, PLUNGER	3	3						
10	2	119620-51250	SHIM SET	3	3						
22	2	119620-51300	VALVE ASSY, DELIVERY	3	3						
25	2	105546-51330	SPRING, DELIVERY	3	3						
26	2	119620-51340	HOLDER, DELIVERY	3	3						
27	2	119620-51350	GASKET, DELIVERY	3	3						
28	2	119620-51370	O-RING	3	3						
28-1	2	24316-000125	O-RING, 4DP12.5	3	3						N
		(A=EA4401) (B=EA4068)									
29	2	119620-51450	GUIDE, TAPPET	3	3						
30	2	119620-51461	PIN	1	1						
31	2	119660-51500	RACK, CONTROL	1	1						
32	2	119620-51510	PINION	3	3						
33	2	119660-51530	RETAINER, RACK	1	1						
33A	2	119620-51640	PLATE ASSY, ADJUST	2	2						
34	3	119620-51650	PLATE, FUEL ADJUST	2	2						
35	3	119620-51670	PIN	2	2						
36	2	119620-51660	SCREW, ADJUSTER	2	2						
37	2	119620-51680	PIN, POSITIONING	1	1						
38	2	119620-51700	TAPPET ASSY, ROLLER	3	3						
43	2	22137-040000	WASHER, 4	2	2						Z
		(A=*2000.02) (B=*2000.02)									
44	2	22217-040000	WASHER, SPRING 4	2	2						Z
		(A=*2000.02) (B=*2000.02)									
45	2	26022-040082	SCREW, M4X 8	4	4						
46	2	26587-040102	SCREW, M4X10	2	2						
46-1	2	26033-040102	SCREW, M4X10	2	2						R
		(A=*2000.02) (B=*2000.02)									
48	1	119266-51900	BOLT, AIR VENT	1	1						W
		(A=*2000.04) (B=*2000.04)									
49	1	22190-080002	WASHER, SEAL 8	1	1						W
		(A=*2000.04) (B=*2000.04)									

OCD10-M48603 ENGINE
Fig.12. GOVERNOR

OCD10-M48603 Fig.12

(A)=3TNE74-DG
 (B)=3TNE74-DGD
 (C)=

(D)=
 (E)=
 (F)=



Remarks

- (1) Selective parts, mark : Not mark
- (2) Selective parts, mark : 2
- (3) Selective parts, mark : A
- (4) Selective parts, mark : 3
- (5) Selective parts, mark : B
- (6) Materials=No.19 : SF-8500, No.19-1 : GRC.

No.	Lev.	Parts No.	Description	Q'ty						I	R
				(A)	(B)	(C)	(D)	(E)	(F)		
1		194990-22050	NUT, M8	1							
1-1		26366-080002 (A=*2001.12)	NUT, M8	1							R
2		119660-61060	COVER, GOVERNOR CASE	1							
3		26116-050202	BOLT, M5X 20 PLATED	3							
4		119660-61071	GASKET, CASE	1							
5		119600-61100	DRIVE ASSY, GOVERNOR	1							
6		119600-61200	WEIGHT ASSY GOVERNOR	1							
10		119660-61300	NUT, SUPPORT	1							
10-1		129008-61301 (A=EA9602)	NUT, SUPPORT	1							R
11		119660-61341	SLEEVE	1							
12		119660-61121	LINK, NO MARK	1							1
12-1		119660-61122 (A=*2003.03)	LINK, NO MARK	1							N 1
13		119660-61140	LINK, MARK :2	1							2
13-1		119660-61141 (A=*2003.03)	LINK, MARK A	1							N 3
14		119660-61150	LINK, MARK :3	1							4
14-1		119660-61151 (A=*2003.03)	LINK, L=89.0 MARK B	1							N 5
15		119288-61200	CASE ASSY, GOVERNOR	1							
16		129155-51280	O-RING, S6	1							
19		119660-61052	GASKET, CASE	1							
19-1		119660-61053 (A=*2003.03)	GASKET, CASE	1							S 6
19-2		119660-61054 (A=E96026)	GASKET, CASE	1							R
20		119660-61460	SHIM SET	1							
20-1		129156-61500 (A=*2003.03)	SHIM, LEVER T=0.5	1							N
23		129155-61480	SPACER ASSY, LEVER	2							
23-1		119632-61500 (A=*2003.03)	SHIM SET	1							N
28		119660-61491	SHAFT, GOVERNOR LEVER	1							
28-1		119660-61590 (A=*2000.04)	SHAFT, GOVERNOR LEVER	1							N
29		119288-61510	LEVER ASSY, GOVERNOR	1							
30		174307-51700	SHIM SET, PLUNGER	2							
43-1		119843-61551 (A=E09174)	BUSH	2							N
45		119232-61540	SPRING, LEVER	1							
46		119600-61540	SHIFTER	1							
46-1		129100-61540 (A=EB2021)	SHIFTER	1							N
47		119600-61650	SPRING, STARTING	1							
48		22117-040000	WASHER, 4	1							
49		22272-000040	RING, E- 4	1							
50		22351-020004 (A=E13436)	PIN, SPRING 2.0X 4	1							Z
51		22351-030014	PIN, SPRING 3.0X14	1							

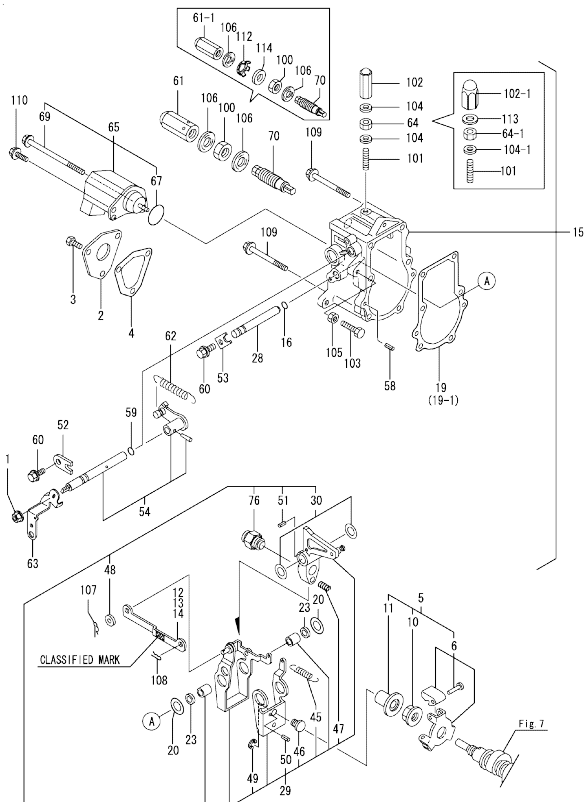
N:Old $\frac{New}{Old}$ New, Q:Old $\frac{New}{Old}$ New, R:Old $\frac{New}{Old}$ New, S:Old $\frac{New}{Old}$ New, W:Add, Z:Discontinued, F:Interchangeable by set, K:Q'ty Change
 ++ CONTINUE ++ Copyright (C) 2020 YANMAR GLOBAL CS CO., LTD. All Rights Reserved.

OCD10-M48603 ENGINE
Fig.12. GOVERNOR

OCD10-M48603 Fig.12

(A)=3TNE74-DG
 (B)=3TNE74-DGD
 (C)=

(D)=
 (E)=
 (F)=



No.	Lev.	Parts No.	Description	Q'ty						I	R
				(A)	(B)	(C)	(D)	(E)	(F)		
52	2	119600-61900	STOPPER, SHAFT	1							
53	2	119660-61901	STOPPER, SHAFT	1							
54	2	119285-66080	SHAFT ASSY,REGULATOR	1							
54-1	2	119285-66081	SHAFT ASSY,REGULATOR	1							N
		(A=EB2021)									
58	2	22351-040010	PIN, SPRING 4.0X10	2							
59	2	24341-000070	O-RING, 1AS7.0	1							
60	2	26106-060102	BOLT, M6X 10 PLATED	2							
61	1	129100-61930	NUT	1							
61-1	1	26687-120002	NUT, CAP M12	1							S
		(A=2002.06)									
62	1	119600-66020	SPRING, REGULATOR	1							
62-1	1	119260-66010	SPRING, REGULATOR	1							N
		(A=2000.07)									
63	1	119621-66051	LEVER, REGULATOR	1							
64	1	124550-66370	NUT, M6	1							
64-1	1	26857-060002	NUT, M6	1							S
		(A=2002.06)									
65	1	119285-66500	STOPPER ASSY	1							
66-1	2	119285-77951	SOLENOID	1							N
		(A=1996.04)									
66-2	2	119285-77952	SOLENOID, STOP	1							N
		(A=2000.12)									
67	2	24341-000280	O-RING, 1AS28.0	1							
67-1	2	158552-61900	O-RING	1							R
		(A=EA9602)									
69	2	26106-060952	BOLT, M6X 95 PLATED	1							
69-1	2	119620-01530	BOLT, SOLENOID	1							N
		(A=2001.12)									
70	1	119600-66530	LIMITER ASSY, FUEL	1							
76	1	119260-66720	ANGLEICH ASSY	1							
100	1	124772-66750	NUT, LOCK M12	1							
100-1	1	26776-120002	NUT, LOCK M12	1							R
		(A=E08811)									
100-2	1	26736-120002	NUT, M12	1							N
		(A=2001.06)									
100-3	1	129209-61920	NUT, ARB	1							N
		(A=EA9602)									
101	1	121575-66830	SCREW, ADJUSTER	1							
102	1	119600-66840	NUT, CAP	1							
102-1	1	119285-66600	NUT, CAP M6	1							S
		(A=2002.06)									
103	1	26116-060304	BOLT, M6X 30 PLATED	1							
103-1	1	119266-61460	BOLT, IDLE SET	1							R
		(A=2002.07)									
104	1	22190-060003	SEAL WASER 6	2							
104-1	1	22190-060003	SEAL WASER 6	1							K
		(A=2002.06)									
105	1	26756-060002	NUT, LOCK M6	1							
106	1	22190-120002	WASHER, SEAL 12	2							
107	1	22360-040000	PIN, SNAP 4	1							

Remarks

- (1) Selective parts, mark : Not mark
- (2) Selective parts, mark : 2
- (3) Selective parts, mark : A
- (4) Selective parts, mark : 3
- (5) Selective parts, mark : B
- (6) Materials=No.19 : SF-8500, No.19-1 : GRC.

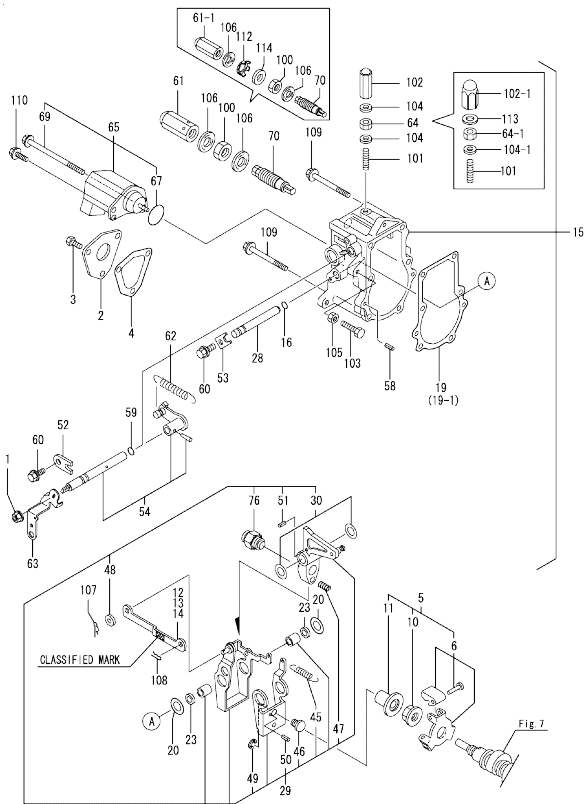
N:Old $\frac{100}{100}$ New, Q:Old $\frac{100}{100}$ New, R:Old $\frac{100}{100}$ New, S:Old $\frac{100}{100}$ New, W:Add, Z:Discontinued, F:Interchangeable by set, K:Q'ty Change
 ++ CONTINUE ++
 Copyright (C) 2020 YANMAR GLOBAL CS CO., LTD. All Rights Reserved.

OCD10-M48603 ENGINE
Fig.12. GOVERNOR

OCD10-M48603 Fig.12

(A)=3TNE74-DG
 (B)=3TNE74-DGD
 (C)=

(D)=
 (E)=
 (F)=



No.	Lev.	Parts No.	Description	Q'ty						I	R
				(A)	(B)	(C)	(D)	(E)	(F)		
107-1	1	22417-120120 (A=E80305)	PIN, COTTER 1.2X12	1							R
108	1	22360-060000	PIN, SNAP 6	1							
109	1	26106-060702	BOLT, M6X 70 PLATED	5							
110	1	121465-59950	BOLT, M6X16	1							W
(A=FROM 1ST)											
112	1	129209-61970 (A=2002.06)	PLATE	1							W
113	1	119285-66620 (A=2002.06)	GASKET	1							W
114	1	23414-120016 (A=2002.06)	GASKET, 12X1.0	1							W

Remarks

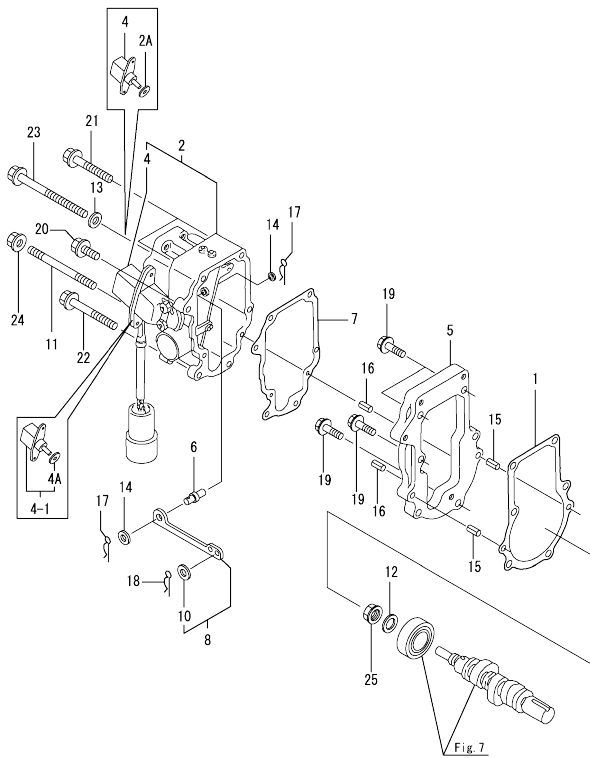
- (1) Selective parts, mark : Not mark
- (2) Selective parts, mark : 2
- (3) Selective parts, mark : A
- (4) Selective parts, mark : 3
- (5) Selective parts, mark : B
- (6) Materials=No.19 : SF-8500, No.19-1 : GRC.

OCD10-M48603 ENGINE
 Fig.20. GOVERNOR

OCD10-M48603 Fig.20

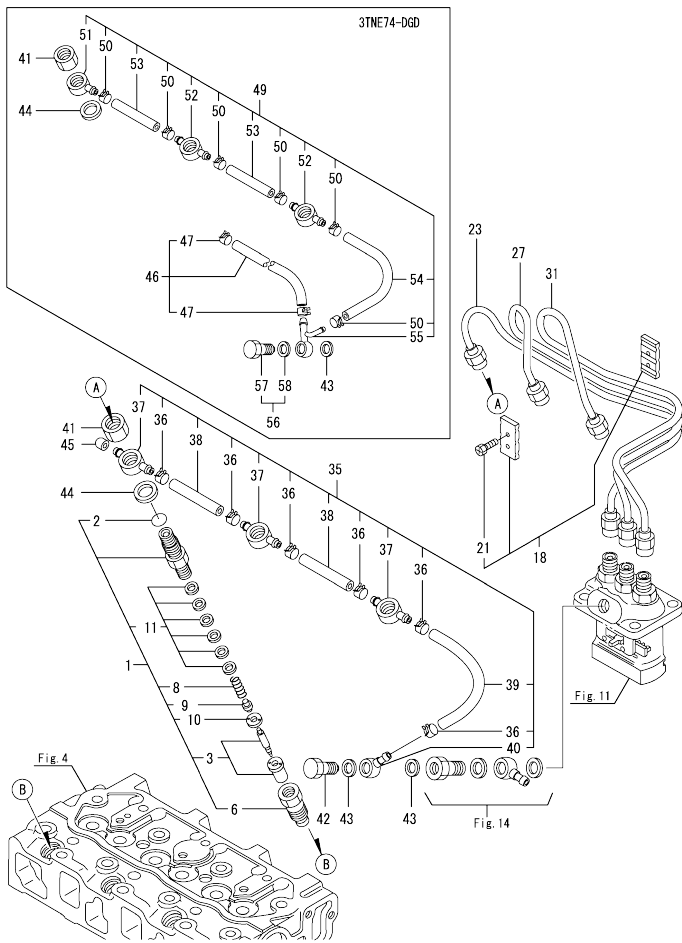
(A)=3TNE74-DG
 (B)=3TNE74-DGD
 (C)=

(D)=
 (E)=
 (F)=



No.	Lev.	Parts No.	Description	Qty						I	R
				(A)	(B)	(C)	(D)	(E)	(F)		
1	1	119660-61052	GASKET, CASE		1						
2	1	119649-61100	ACTUATOR		1						
2-1	1	129611-61100	ACTUATOR		1						N
2A	2	129611-61180	GASKET, SENSOR (B=E23024)		1						W
2A-1	2	129611-61180	GASKET, SENSOR (B=E23024)		1						Z
4	2	119649-61090	SENSOR (B=1996.11)		1						
4-1	2	119649-61091	SENSOR, RACK (B=1996.11)		1						N
4A	3	129611-61180	GASKET, SENSOR (B=1996.11)		1						W
5	1	119649-61110	SPACER, ACTUATOR		1						
6	1	119649-61140	PIN		1						
7	1	119649-61151	GASKET, ACTUATOR		1						
8	1	119649-61160	LINK ASSY		1						
10	2	119649-61130	SHIM, T=0,7		1						
11	1	119649-61200	STUD		1						
12	1	119649-61310	SPACER, WEIGHT		1						
13	1	22117-060000	WASHER, 6		1						
14	1	22137-040000	WASHER, 4		2						
15	1	22351-040010	PIN, SPRING 4.0X10		2						
16	1	22351-040010	PIN, SPRING 4.0X10		2						
17	1	22360-040000	PIN, SNAP 4		2						
17-1	1	22372-040000	PIN, SNAP 4		2						N
18	1	22360-060000	PIN, SNAP 6		1						
18-1	1	22372-060000	PIN, SNAP 6		1						N
19	1	26106-060182	BOLT, M6X 18 PLATED		4						
20	1	26106-060182	BOLT, M6X 18 PLATED		1						
21	1	26106-060452	BOLT, M6X 45 PLATED		2						
22	1	26106-060702	BOLT, M6X 70 PLATED		1						
23	1	26116-061002	BOLT, M6X100 PLATED		1						
24	1	26366-060002	NUT, M6		1						
25	1	129008-61300	NUT		1						
25-1	1	129008-61301	NUT, SUPPORT (B=EA8070)		1						R

Fig.13. FUEL INJECTION VALVE



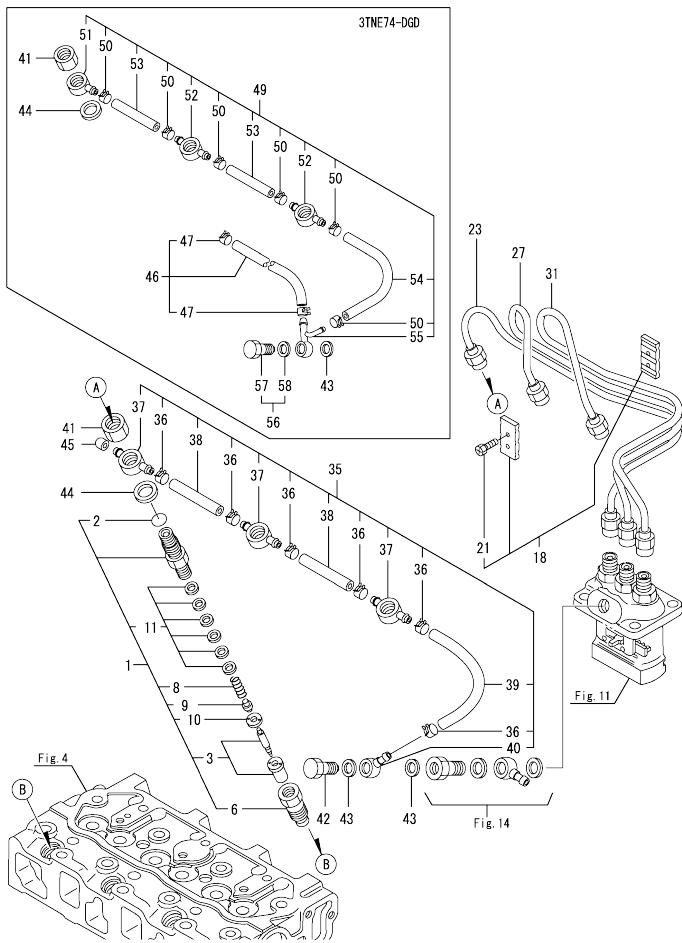
(A)=3TNE74-DG
(B)=3TNE74-DGD
(C)=

(D)=
(E)=
(F)=

No.	Lev.	Parts No.	Description	Qty						I	R
				(A)	(B)	(C)	(D)	(E)	(F)		
1	1	719620-53100	FUEL INJECTOR ASSY	3	3						
2	2	129155-51580	O-RING	3							
2-1	2	129155-61830	O-RING, S10	3	3						R
2-2	2	158552-51930	O-RING, 4D S10	3	3						N
		(A=E13436) (A=EA4004) (B=EA4068)									
3	2	119620-53000	VALVE ASSY, INJECTION	3	3						
3-1	2	119620-53001	VALVE ASSY, INJECTION	3	3						R
		(A=EB2120) (B=EB2121)									
6	2	119620-53080	NUT, NOZZLE	3	3						
8	2	119620-53120	SPRING, NOZZLE	3	3						
9	2	114250-53130	SEAT, SPRING	3	3						
10	2	119620-53140	SPACER, VALVE STOP	3	3						
11	2	114250-53400	SHIM SET	3	3						
11-1	2	119803-53400	SHIM SET	3	3						R
		(A=EB2106) (B=EB2104)									
18	1	129150-59120	RETAINER, PIPE	1	1						
21	2	129150-59131	BOLT, M4X14	2	2						
23	1	119620-59811	PIPE ASSY, INJECTION	1	1						
23-1	1	119789-59810	PIPE ASSY, INJECTION	1	1						N
		(B=E70354)									
27	1	119620-59821	PIPE ASSY, INJECTION	1	1						
27-1	1	119789-59820	PIPE ASSY, INJECTION	1	1						N
		(B=E70354)									
31	1	119620-59831	PIPE ASSY, INJECTION	1	1						
31-1	1	119789-59830	PIPE ASSY, INJECTION	1	1						N
		(B=E70354)									
35	1	119643-59540	PIPE ASSY, RETURN	1							
36	2	124066-59100	CLAMP, HOSE 8	6							
37	2	119260-59530	JOINT, A	3							
38	2	105025-59550	HOSE, FUEL RETURN	2							
39	2	119642-59550	HOSE, FUEL RETURN	1							
40	2	119643-59570	JOINT, OVERFLOW	1							
41	1	119620-59700	NUT, NOZZLE RETURN	3	3						
42	1	124550-59820	BOLT, PIPE JOINT M8	1							
43	1	23414-080012	GASKET, 8X1.0	2	1						
43-1	1	22190-080002	WASHER, SEAL 8	2	1						N
		(A=1999.07) (B=1999.07)									
44	1	23414-140000	GASKET, 14X1.0	3	3						
44-1	1	22190-140002	WASHER, SEAL 14	3	3						N
		(A=1999.07) (B=1999.07)									
45	1	119309-59590	CAP, 4.2	1							W
		(A=2001.04)									
46	1	721250-59080	PIPE ASSY, FUEL L180	1							
47	2	124766-59050	CLAMP, HOSE 11.5	2							
49	1	119642-59540	HOSE ASSY, RETURN	1							
50	2	124066-59100	CLAMP, HOSE 8	6							
51	2	119260-59530	JOINT, PIPE B	1							
52	2	119260-59530	JOINT, A	2							
53	2	105025-59550	HOSE, FUEL RETURN	2							
54	2	119642-59550	HOSE, FUEL RETURN	1							

N:Old $\frac{New}{Old}$ New, Q:Old $\frac{New}{Old}$ New, R:Old $\frac{New}{Old}$ New, S:Old $\frac{New}{Old}$ New, W:Add, Z:Discontinued, F:Interchangeable by set, K:Qty Change
 ++ CONTINUE ++ Copyright (C) 2020 YANMAR GLOBAL CS CO., LTD. All Rights Reserved.

Fig.13. FUEL INJECTION VALVE



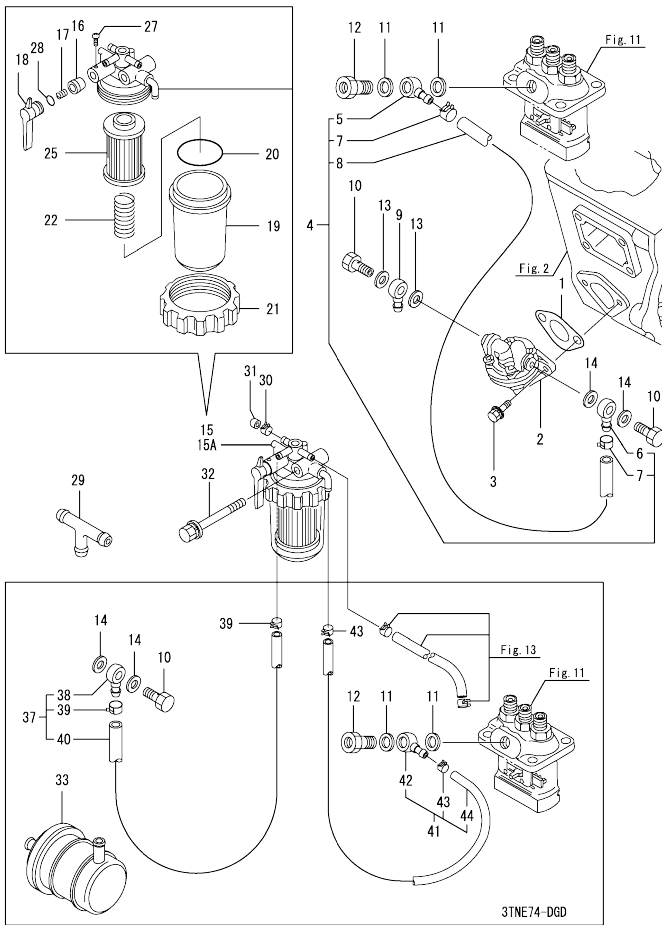
(A)=3TNE74-DG
(B)=3TNE74-DGD
(C)=

(D)=
(E)=
(F)=

No.	Lev.	Parts No.	Description	Q'ty						
				(A)	(B)	(C)	(D)	(E)	(F)	
55	2	119642-59570	JOINT, OVERFLOW		1					
56	1	124550-59830	BOLT ASSY, JOINT M8		1					
57	2	124550-59820	BOLT, PIPE JOINT M8		1					
58	2	22190-080002	WASHER, SEAL 8		1					

OCD10-M48603 ENGINE
Fig.14. FUEL PIPE

OCD10-M48603 Fig.14



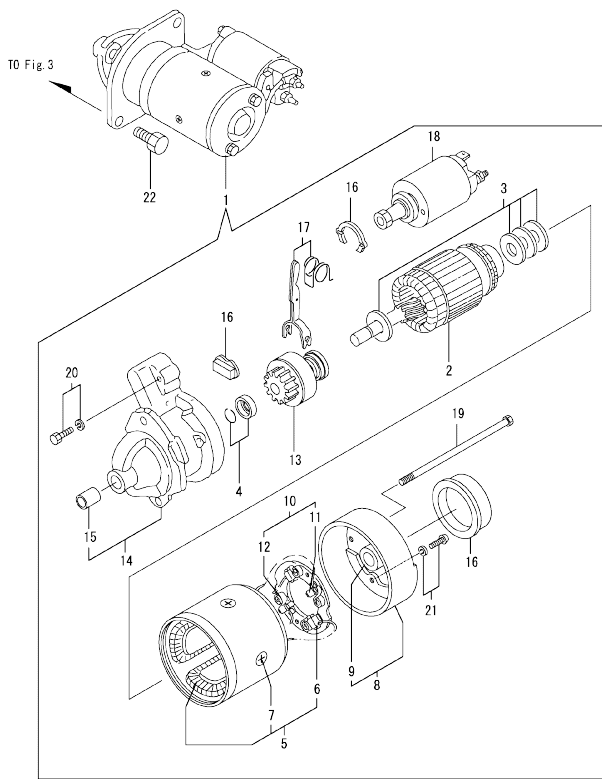
(A)=3TNE74-DG
 (B)=3TNE74-DGD
 (C)=

(D)=
 (E)=
 (F)=

No.	Lev.	Parts No.	Description	Qty						I	R
				(A)	(B)	(C)	(D)	(E)	(F)		
1	1	121520-01851	GASKET, FEED PUMP	1	1						
2	1	119600-52021	PUMP ASSY, FUEL FEED	1	1						
3	1	26014-060202	BOLT, M6X 20	2	2						
4	1	119650-59010	PIPE ASSY, FUEL A	1	1						
5	2	101304-59020	JOINT, PIPE 12	1	1						
6	2	104264-59030	JOINT, PIPE 8	1	1						
7	2	124766-59050	CLAMP, HOSE 11.5	2	2						
8	2	106430-59560	PIPE, TANK-FILTER	1	1						
9	1	104264-59030	JOINT, PIPE 8	1	1						
10	1	105582-59150	BOLT, PIPE JOINT M8	2	2						
11	1	104200-59170	GASKET, 12	2	2						
11-1	1	22190-120002	WASHER, SEAL 12	2	2						N
		(A=1999.07)	(B=1999.07)								
12	1	119650-59200	BOLT, PIPE JOINT M12	1	1						
13	1	22190-080002	WASHER, SEAL 8	2	2						
14	1	22190-080002	WASHER, SEAL 8	2	2						
15	1	119643-55610	FILTER ASSY, FUEL	1	1						
15A	1	119632-55620	FILTER ASSY, FUEL		1						N
		(B=EB2127)									
16	2	104200-55321	VALVE, TAPER	1	1						
17	2	104200-55330	SPRING, FUEL VALVE	1	1						
18	2	119810-55340	LEVER, FUEL	1	1						
19	2	121254-55510	CUP, FUEL STARINER	1	1						
20	2	102103-55520	O-RING, FILTER	1	1						
21	2	110250-55610	RING, CUP RETAINING	1	1						
22	2	121250-55620	SPRING, ELEMENT	1	1						
25	2	124550-55700	ELEMENT, FUEL FILTER	1	1						
27	2	104200-55750	SCREW, M4	1	1						
28	2	24311-240100	O-RING, 1AP10A	1	1						
29	1	119643-55620	JOINT, 3-WAY	1	1						
30	1	124066-59100	CLAMP, HOSE 8		1						
31	1	129150-59580	CAP, RETURN PIPE		1						
32	1	26014-080702	BOLT, M8X 70		1						
33	1	129052-55630	FILTER, FUEL INLET		1						
37	1	119244-59020	PIPE ASSY, FUEL		1						
38	2	104264-59030	JOINT, PIPE 8		1						
39	2	124766-59050	CLAMP, HOSE 11.5		2						
40	2	121522-59100	HOSE, FUEL D12X500		1						
41	1	119260-59031	PIPE, FUEL		1						
41-1	1	119230-59031	PIPE ASSY, FUEL		1						N
		(B=E61334)									
42	2	101304-59020	JOINT, PIPE 12		1						
43	2	124766-59050	CLAMP, HOSE 11.5		2						
44	2	124767-59080	PIPE, FUEL L=155		1						
44-1	2	119230-59080	PIPE, FUEL D12X185		1						N
		(B=E61334)									

N:Old $\frac{100}{100}$ New. Q:Old $\frac{100}{100}$ New. R:Old $\frac{100}{100}$ New. S:Old $\frac{100}{100}$ New. W:Add. Z:Discontinued. F:Interchangeable by set. K:Qty Change
 Copyright (C) 2020 YANMAR GLOBAL CS CO., LTD. All Rights Reserved.

Fig.15. STARTER MOTOR



(A)=3TNE74-DG
(B)=3TNE74-DGD
(C)=

(D)=
(E)=
(F)=

No.	Lev.	Parts No.	Description	Q'ty					
				(A)	(B)	(C)	(D)	(E)	(F)
1	1	119631-77010	STARTER	1	1				
2	2	124190-77110	ARMATURE ASSY	1	1				
3	2	X2114811000	WASHER KIT, THRUST	1	1				
4	2	X2114715500	STOPPER SET, PINION	1	1				
5	2	X2114631090	COIL ASSY, FIELD	1	1				
6	3	X2114531200	BRUSH, CARBON	2	2				
7	3	X2114821500	SCREW SET	1	1				
8	2	X2114430010	COVER ASSY, REAR	1	1				
9	3	X2114535200	METAL, STARTER	1	1				
10	2	X2114990010	HOLDER ASSY, BRUSH	1	1				
11	3	X2114831300	BRUSH, -	1	1				
12	3	X2114931400	SPRING, BRUSH	3	3				
13	2	124190-77760	PINION ASSY	1	1				
14	2	X2114966130	CASE ASSY, GEAR	1	1				
15	3	X2114535200	METAL, STARTER	1	1				
16	2	X2114780060	COVER KIT, DUST	1	1				
17	2	X2114660130	LEVER KIT, SHIFT	1	1				
18	2	X2114275070	SWITCH ASSY, MAGNET	1	1				
19	2	X2114680050	BOLT, THROUGH	2	2				
20	2	X2114586700	BOLT, M6X37	2	2				
21	2	X2114283500	SCREW SET	1	1				
22	1	26116-120252	BOLT, M12X 25 PLATED	2	2				

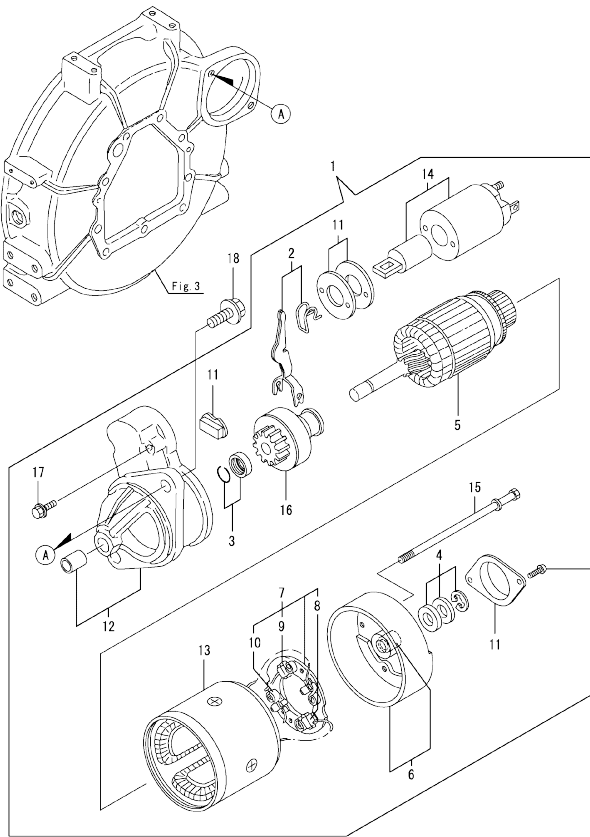
Remarks

* This figure is applicable to [(A)=E22835][(B)=E22997] or previous machines.

Fig.21. STARTER MOTOR

(A)=3TNE74-DG
(B)=3TNE74-DGD
(C)=

(D)=
(E)=
(F)=

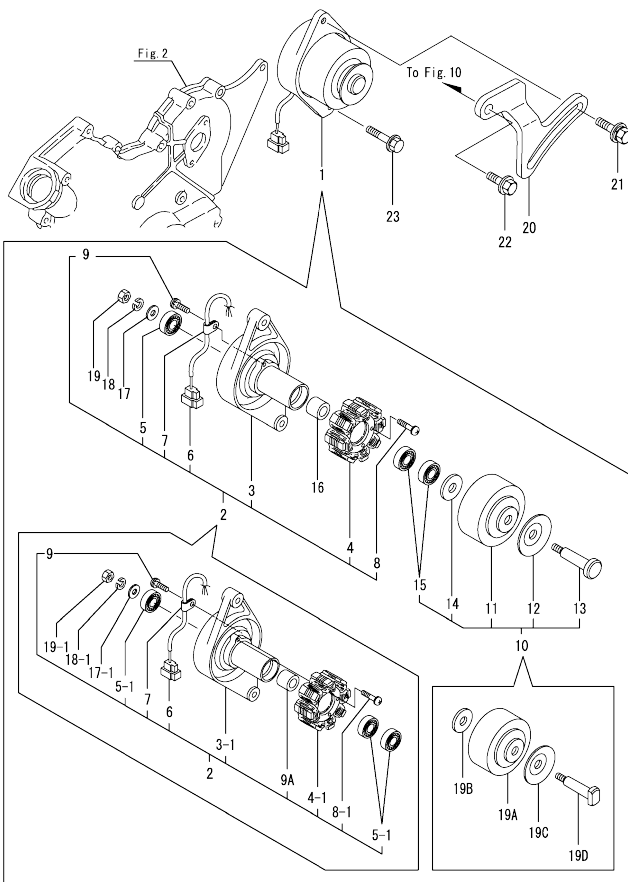


No.	Lev.	Parts No.	Description	Q'ty						I	R
				(A)	(B)	(C)	(D)	(E)	(F)		
1	1	119631-77011	STARTER, 0.9KW	1	1						
2	2	114371-77180	LEVER KIT, SHIFT	1	1						
3	2	X2114715500	STOPPER SET, PINION	1	1						
4	2	X2114811000	WASHER KIT, THRUST	1	1						
5	2	114371-77110	ARMATURE ASSY	1	1						
6	2	114371-77140	COVER ASSY, REAR	1	1						
7	2	114371-77160	HOLDER ASSY, BRUSH	1	1						
8	3	114371-79040	BRUSH, -	2	2						
9	3	114371-79050	BRUSH SET, +	1	1						
10	3	114371-79060	SPRING, BRUSH	4	4						
11	2	114371-77170	COVER KIT, DUST	1	1						
12	2	119631-77651	CASE ASSY, GEAR	1	1						
13	2	124097-77710	YOKE ASSY	1	1						
14	2	124298-77020	SWITCH, MAGNET	1	1						
15	2	124195-77770	BOLT, THROUGH	2	2						
16	2	119631-77780	PINION ASSY	1	1						
17	2	114371-79070	BOLT, M6	2	2						
18	1	26116-120252	BOLT, M12X 25 PLATED	2	2						
18-1	1	26106-120252	BOLT, M12X 25 PLATED	2	2						N
		(A)=EB2021)	(B)=EB0767)								

Remarks

* This figure is applicable to [(A)=E22836][(B)=E22998] or following machines.

Fig.16. GENERATOR



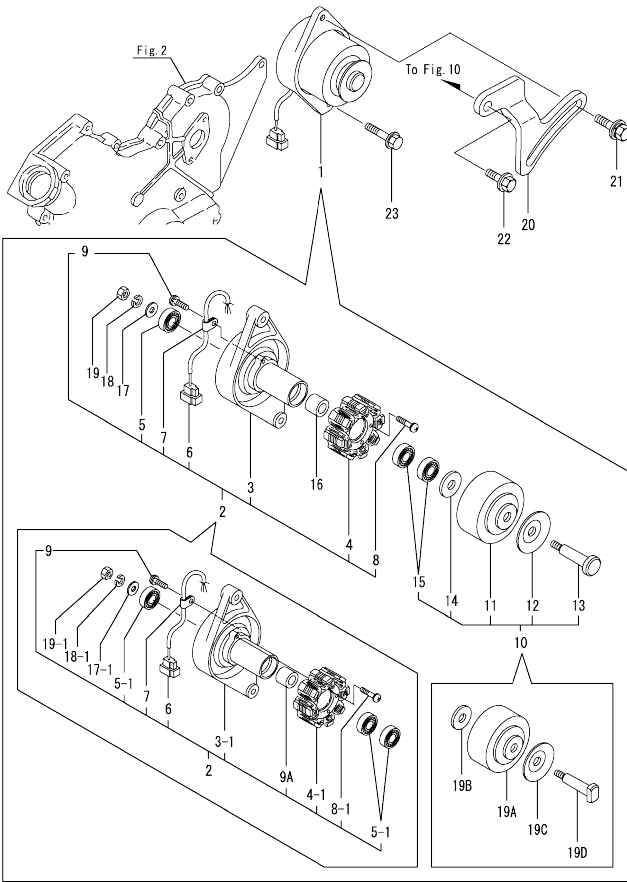
(A)=3TNE74-DG
(B)=3TNE74-DGD
(C)=

(D)=
(E)=
(F)=

No.	Lev.	Parts No.	Description	Qty						I	R
				(A)	(B)	(C)	(D)	(E)	(F)		
1	1	171301-77201	DYNAMO ASSY, 15A	1	1						
2	2	XM08137	PLATE ASSY	1	1						
3	3	XM08138	PLATE	1	1						
3-1	3	X2A07073KA	PLATE	1	1						N
		(A=*2001.10) (B=*2001.10)									
4	3	XM08180	STATOR SET	1	1						
4-1	3	X4A07023KB	STATOR ASSY	1	1						N
		(A=*2001.10) (B=*2001.10)									
5	3	XM27436	BEARING, BALL	1	1						
5-1	3	24104-062010	BEARING, 6201UUC3	3	3						N
		(A=*2001.10) (B=*2001.10)									
6	3	XM17878	COUPLER	1	1						
7	3	XM069000000	CLAMP	1	1						
8	3	26022-040252	SCREW, M4X25	2	2						
8-1	3	XYSPS402400	SCREW	2	2						N
		(A=*2001.10) (B=*2001.10)									
9	3	XYSPS400800	SCREW	1	1						
9A	3	XM329830000	COLLAR	1	1						W
		(A=*2001.10) (B=*2001.10)									
10	2	XM82184	FLYWHEEL ASSY	1	1						Z
		(A=*2001.10) (B=*2001.10)									
11	3	XM82110	FLYWHEEL	1	1						Z
		(A=*2001.10) (B=*2001.10)									
12	3	XM721740000	PULLEY	1	1						Z
		(A=*2001.10) (B=*2001.10)									
13	3	XM72664	SHAFT	1	1						Z
		(A=*2001.10) (B=*2001.10)									
14	3	XM37336	WASHER	1	1						Z
		(A=*2001.10) (B=*2001.10)									
15	3	XM27436	BEARING, BALL	2	2						Z
		(A=*2001.10) (B=*2001.10)									
16	2	106383-44720	SPACER	1	1						Z
		(A=*2001.10) (B=*2001.10)									
17	2	106383-44730	WASHER	1	1						
17-1	2	XM860250000	WASHER, 10	1	1						N
		(A=*2001.10) (B=*2001.10)									
18	2	22212-100000	SPRING WASHER 10	1	1						
18-1	2	XM219230000	WASHER, SPRING	1	1						N
		(A=*2001.10) (B=*2001.10)									
19	2	26716-100002	NUT, M10	1	1						
19-1	2	XM863720000	NUT	1	1						N
		(A=*2001.10) (B=*2001.10)									
19A	2	X3A08877KA	FLYWHEEL	1	1						W
		(A=*2001.10) (B=*2001.10)									
19B	2	XM67935	WASHER	1	1						W
		(A=*2001.10) (B=*2001.10)									
19C	2	XM721740000	PULLEY	1	1						W
		(A=*2001.10) (B=*2001.10)									
19D	2	X4A07403K01	SHAFT	1	1						W
		(A=*2001.10) (B=*2001.10)									
20	1	119600-77330	ADJUSTER, BELT	1	1						

N:Old ¹⁰⁰/₁₀₀ New, Q:Old ¹⁰⁰/₁₀₀ New, R:Old ¹⁰⁰/₁₀₀ New, S:Old ¹⁰⁰/₁₀₀ New, W:Add, Z:Discontinued, F:Interchangeable by set, K:Qty Change
 ++ CONTINUE ++
 Copyright (C) 2020 YANMAR GLOBAL CS CO., LTD. All Rights Reserved.

Fig.16. GENERATOR



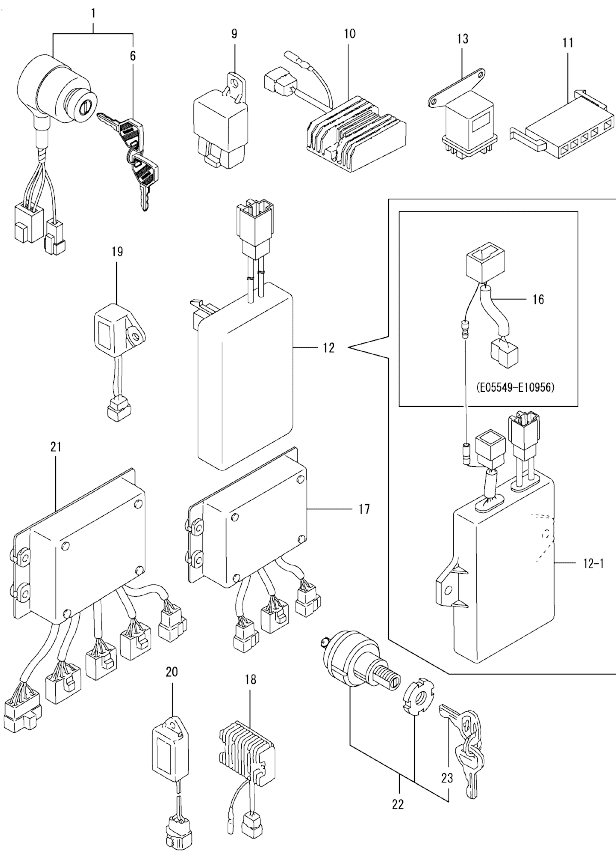
(A)=3TNE74-DG
(B)=3TNE74-DGD
(C)=

(D)=
(E)=
(F)=

No.	Lev.	Parts No.	Description	Q'ty					
				(A)	(B)	(C)	(D)	(E)	(F)
21	1	26014-080252	BOLT, M8X 25	1	1				
22	1	26106-080162	BOLT, M8X 16 PLATED	1	1				
23	1	26106-100402	BOLT, M10X 40 PLATED	1	1				

N:Old $\frac{100}{100}$ New, Q:Old $\frac{100}{100}$ New, R:Old $\frac{100}{100}$ New, S:Old $\frac{100}{100}$ New, W:Add, Z:Discontinued, F:Interchangeable by set, K:Q'ty Change
Copyright (C) 2020 YANMAR GLOBAL CS CO., LTD. All Rights Reserved.

Fig.17. ELECTRIC PARTS



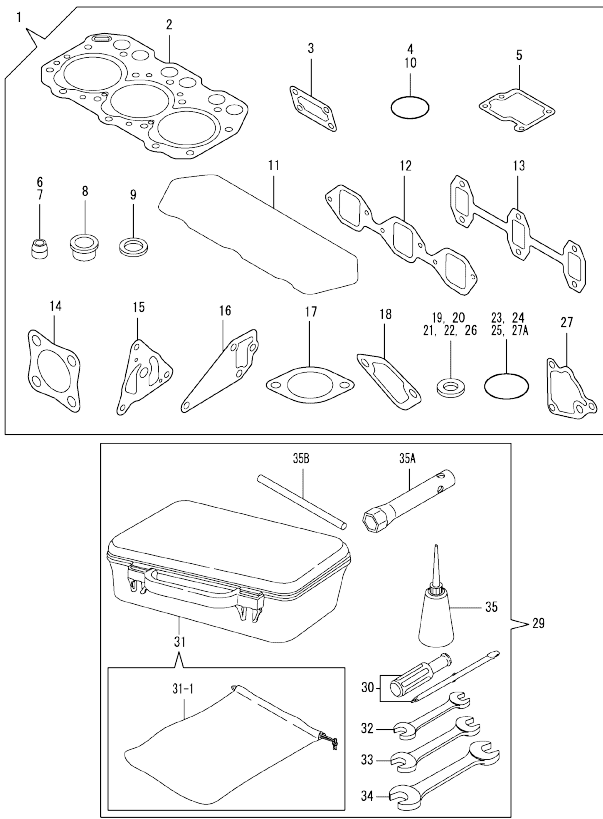
(A)=3TNE74-DG
(B)=3TNE74-DGD
(C)=

(D)=
(E)=
(F)=

No.	Lev.	Parts No.	Description	Qty						I	R
				(A)	(B)	(C)	(D)	(E)	(F)		
1	1	194940-52110	SWITCH, STARTING	1							
1-1	1	129902-77500 (A=E09174)	SWITCH ASSY, STARTER	1							N
6	2	198360-52160	KEY ASSY, SPARE	1							
9	1	119247-77100	RELAY, POWER SN2213		1						
10	1	119660-77710	CURRENT LIMITER, 15A	1							
10-1	1	119660-77711 (A=E62380)	CURRENT LIMITER, 15A	1							N
10-2	1	119660-77712	LIMITER, CURRENT 15A	1							R
11	1	171301-77720 (A=EA9560)	COUPLER	1							
12	1	119265-77800	RELAY, EMERGENCY	1							
12-1	1	119265-77801 (A=E10957)	RELAY, EMERGENCY	1							S
13	1	119650-77910	RELAY ASSY, GLOW	1							
13-1	1	119650-77911 (A=EB1179)	RELAY ASSY, GLOW	1							N
16	1	119265-77950	HARNES, WIRE	1							1
17	1	119789-78800	CONTROLLER, MAIN 4P		1						
18	1	129132-77700	CURRENT LIMITER		1						
18-1	1	119233-77730	LIMITER ASSY,CURRENT		1						N
18-2	1	119233-77710 (B=*1998.02) (B=*2001.05)	CURRENT LIMITER, 15A		1						N
18-3	1	119233-77711 (B=EA3492)	CURRENT LIMITER		1						R
18-4	1	119233-77712 (B=EB2127)	LIMITER, CURRENT 15A		1						N
19	1	121522-77721 (B=*1998.02)	INDICATOR, CHRGE		1						Z
20	1	128300-77920	TIMER, GLOW PLUG		1						
21	1	119140-78810	CONTROLLER, 4P		1						
22	1	121400-91251	SWITCH, STARTER		2						
23	2	121400-91271	KEY, SWITCH		2						

Remarks
(1)Spare parts.
Interchangeable by simultaneous replacement with No.12-1.
Applied to E05549 to E10956.

Fig.18. GASKET SET & TOOL



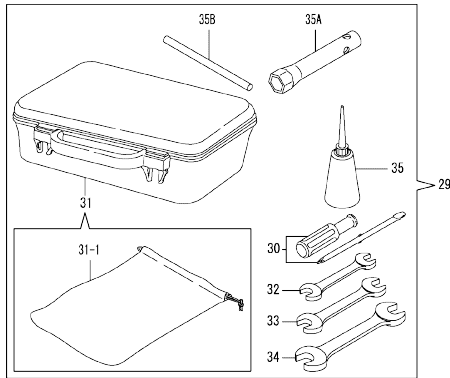
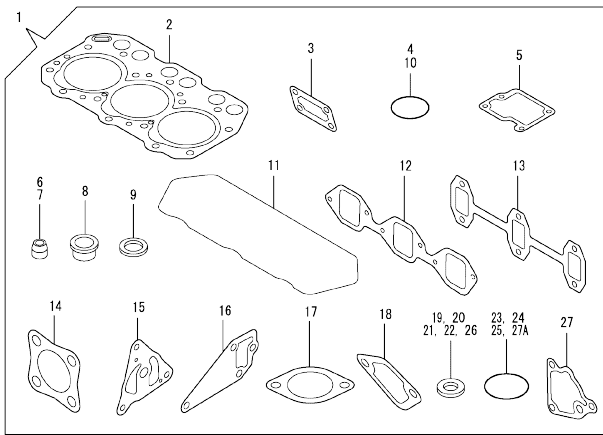
(A)=3TNE74-DG
(B)=3TNE74-DGD
(C)=

(D)=
(E)=
(F)=

No.	Lev.	Parts No.	Description	Qty						I	R	
				(A)	(B)	(C)	(D)	(E)	(F)			
1	1	719634-92600	GASKET SET	1							1	
1-1	1	719634-92601 (A=E13436)	GASKET SET	1	1						N	1
1-2	1	719634-92602 (A=*1999.11) (B=*1999.11)	GASKET SET	1	1						N	1
2	2	119623-01330	GASKET, HEAD	1	1							
2-1	2	119623-01340 (A=*1999.11) (B=*1999.11)	GASKET, HEAD	1	1						N	
3	2	119660-01562	GASKET, PUMP COVER	1	1							
4	2	24311-000320	O-RING, 1AP32.0	1	1							
5	2	119620-03031	GASKET, PLATE	1	1							
6	2	124950-11340	SEAL, VALVE STEM	3	3							
7	2	124160-11340	SEAL, VALVE STEM	3	3							
8	2	119600-11450	PROTECTOR, NOZZLE	3	3							
9	2	119600-11460	GASKET, NOZZLE	6	6							
10	2	24311-000320	O-RING, 1AP32.0	1	1							
11	2	119620-11310	GASKET, BONNET	1	1							
12	2	119620-12111	GASKET, MANIFOLD	1	1							
13	2	119620-13110	GASKET, MANIFOLD	1	1							
14	2	121000-13201	GASKET, SILENCER	1	1							
15	2	119660-32020	GASKET, PUMP	1	1							
16	2	119620-42020	GASKET, WATER PUMP	1	1							
16-1	2	119620-42021 (A=*2000.03) (B=*2000.03)	GASKET, WATER PUMP	1	1						N	
17	2	129350-49541	GASKET, COVER	1	1							
18	2	121520-01851	GASKET, FEED PUMP	1	1							
19	2	124465-44950	GASKET, 16	1								
19-1	2	124465-44950 (A=FROM 1ST)	GASKET, 16	2	2							K
20	2	104200-59170	GASKET, 12	2	2							
21	2	23414-140000	GASKET, 14X1.0	3	3							
22	2	22190-080002	WASHER, SEAL 8	4	4							
23	2	24311-000120	O-RING, 1AP12.0	4	4							
24	2	129155-51580	O-RING	3								
24-1	2	129155-61830 (A=E13436)	O-RING, S10	3	3							R
25	2	24341-000240	O-RING, 1AS24.0	1	1							
26	2	22190-220002	WASHER, SEAL 22	1								
26-1	2	22190-220002	WASHER, SEAL 22	2	2							K
(A=FROM 1ST)												
27	2	119660-35113	GASKET, BRACKET	1	1							
27A	2	24341-000250	O-RING, 1AS25.0	2								
29	1	171001-93100 (B=*1997.02)	BOX, TOOL	1	1							Z
29-1	1	119265-93100 (A=E06732)	BOX, TOOL	1								R
29-2	1	119265-93100 (A=*1997.02)	BOX, TOOL	1								Z
30	2	104200-92350 (A=*1997.02) (B=*1997.02)	DRIVER, SCREW	1	1							Z
31	2	104200-92600	BOX, SPARE PARTS	1	1							Z

Remarks
(1)Optional parts.

Fig.18. GASKET SET & TOOL



(A)=3TNE74-DG
(B)=3TNE74-DGD
(C)=

(D)=
(E)=
(F)=

No.	Lev.	Parts No.	Description	Q'ty						I	R
				(A)	(B)	(C)	(D)	(E)	(F)		
31-1	2	105300-92600 (A=E06732)	(B=1997.02) BAG, TOOL		1						S
31-2	2	105300-92600 (A=1997.02)	BAG, TOOL		1						Z
32	2	28110-100120	SPANNER, 10X12		1	1					Z
33	2	28110-140170 (A=1997.02)	(B=1997.02) SPANNER, 14X17 (B=1997.02)		1	1					Z
34	2	28110-190220 (A=1997.02)	(B=1997.02) SPANNER, 19X22 (B=1997.02)		1	1					Z
35	2	28210-000140 (A=E06732)	(B=1997.02) OILER		1	1					Z
35A	2	28227-191400 (A=E06732)	WRENCH, BOX 19X140		1						W
35A-1	2	28227-191400 (A=1997.02)	WRENCH, BOX 19X140		1						Z
35B	2	28230-090150 (A=E06732)	HANDLE, TURN 9X150		1						W
35B-1	2	28230-090150 (A=1997.02)	HANDLE, TURN 9X150		1						Z

Remarks

(1)Optional parts.

Parts No. Index

Parts No.	Fig. No.	Ref. No.	Parts No.	Fig. No.	Ref. No.	Parts No.	Fig. No.	Ref. No.	Parts No.	Fig. No.	Ref. No.
119623-34820	9	24	119649-61130	20	10	119660-61151	12	14 -1	121520-34810	9	23
119623-34830	9	24 -1	119649-61140	20	6	119660-61300	12	10	121522-59100	14	40
119623-35000	9	45	119649-61151	20	7	119660-61341	12	11	121522-77721	17	19
119623-35090	9	40 -1	119649-61160	20	8	119660-61460	12	20	121550-49111	9	44
119623-35300	9	29 -1	119649-61200	20	11	119660-61491	12	28	121575-66830	12	101
119624-02410	1	21 -1	119649-61310	20	12	119660-61590	12	28 -1	121850-11860	4	17
119624-32040	2	6 -1	119649-78500	2	35	119660-61901	12	53	124064-12680	5	18
119626-07900	4	5 -1	119649-78510	2	33	119660-77710	17	10	124064-12690	5	19
119629-14580	7	3	119649-78650	8	44	119660-77711	17	10 -1	124066-59100	13	36
119631-44502	19	35	119650-42291	19	15	119660-77712	17	10 -2			50
119631-44503	19	35 -1	119650-59010	14	4	119717-23200	8	48 -1		14	30
119631-44610	19	38	119650-59200	14	12	119789-11200	4	31 A	124085-02220	3	9
119631-44611	19	38 -1	119650-77910	17	13	119789-59810	13	23 -1	124097-77710	21	13
119631-44800	19	40	119650-77911	17	13 -1	119789-59820	13	27 -1	124160-01751	2	12
119631-77010	15	1	119660-01510	2	17	119789-59830	13	31 -1		4	66
119631-77011	21	1	119660-01551	2	20	119789-78800	17	17	124160-11340	4	25
119631-77651	21	12	119660-01562	2	21	119802-13600	6	4 -1		18	7
119631-77780	21	16		18	3	119803-53400	13	11 -1	124160-11360	4	61
119632-55620	14	15 A	119660-01570	2	22	119810-55340	14	18	124160-39450	9	43
119632-55621	14	15 A-1	119660-01640	3	7	119843-61551	12	43 -1	124190-77110	15	2
119632-61500	12	23 -1	119660-01821	7	17	119865-21600	8	15	124190-77760	15	13
119640-01640	3	14	119660-01911	2	5	121000-13201	6	7	124195-77770	21	15
		14 -1	119660-21651	8	8		18	14	124298-77020	21	14
		14 A-1	119660-25022	7	9	121023-01550	2	29	124450-44510	10	25
119640-42290	10	14	119660-25052	7	10	121023-01551	2	29 -1		19	26
119642-03140	4	1	119660-32001	9	1	121111-21501	8	11	124450-44530	10	27
119642-12100	5	1	119660-32020	9	11	121120-01620	3	3		19	28
119642-12110	5	2		18	15	121120-12541	5	7 -1	124450-44550	10	31
119642-33030	9	13	119660-35102	9	25	121120-12560	5	8		19	32
119642-33100	9	14	119660-35113	9	26	121120-12561	5	8 -1	124450-44560	10	28
119642-42000	10	1		18	27	121120-12570	5	9		19	29
119642-42350	10	15	119660-35300	9	29 A	121120-12571	5	9 -1	124450-44590	19	37
119642-49030	9	17	119660-42004	19	1	121250-44590	19	36	124465-44950	10	24
119642-59540	13	49	119660-42009	19	1 -1	121250-44901	10	23 -1		18	19
119642-59550	13	39	119660-42051	10	4		19	24		19	-1
		54	119660-42052	19	4	121250-55620	14	22		19	25
119642-59570	13	55	119660-42350	19	16	121254-55510	14	19	124550-55700	14	25
119643-21590	8	12	119660-51500	11	31	121256-44600	10	32	124550-59820	13	42
119643-55610	14	15	119660-51530	11	33		19	33		57	
119643-55620	14	29	119660-61052	12	19	121267-44760	19	18	124550-59830	13	56
119643-59540	13	35		20	1	121400-91251	17	22	124550-66370	12	64
119643-59570	13	40	119660-61053	12	19 -1	121400-91271	17	23	124738-49150	19	41
119644-21200	8	5	119660-61054	12	19 -2	121450-01560	2	18	124756-12510	5	12
119645-49010	19	43	119660-61060	12	2	121450-42450	19	34	124766-59050	13	47
119645-49020	19	44	119660-61071	12	4	121465-12700	5	20		14	7
119649-21650	8	8 A	119660-61121	12	12	121465-59950	12	110			39
119649-61090	20	4	119660-61122	12	12 -1	121470-44540	10	30			43
119649-61091	20	4 -1	119660-61140	12	13		19	31	124767-59080	14	44
119649-61100	20	2	119660-61141	12	13 -1		19	31	124772-66750	12	100
119649-61110	20	5	119660-61150	12	14	121520-01851	14	1	124950-11340	4	26
							18	18			

Parts No. Index

Parts No.	Fig. No.	Ref. No.	Parts No.	Fig. No.	Ref. No.	Parts No.	Fig. No.	Ref. No.	Parts No.	Fig. No.	Ref. No.
124950-11340	18	6	129795-77800	4	63	22242-000200	7	15	24316-000125	11	28 -1
128300-77920	17	20	129902-77500	17	1 -1	22252-000210	8	25	24321-000600	9	21
129008-61300	20	25	129956-49230	9	18 B	22272-000040	12	49	24321-000700	9	22
129008-61301	12	10 -1	129E00-13620	6	4 -2	22351-020004	12	50	24341-000070	12	59
	20	25 -1	158552-51930	13	2 -2	22351-030014	12	51	24341-000240	2	30
129052-55630	14	33	158552-61900	12	67 -1	22351-040010	2	19		18	25
129054-13210	6	6 -1	170903-12560	5	13		12	58	24341-000250	3	16 A
129100-01580	3	1	171001-93100	18	29		20	15		18	27 A
	8	2	171008-03990	4	65		16		24341-000280	12	67
129100-61540	12	46 -1	171033-12500	5	14	22351-060012	4	27 A	25157-003500	19	15 -1
129100-61930	12	61	171033-12501	5	14 -1		30		26014-060202	14	3
129120-35301	9	29	171033-12510	5	15	22360-040000	12	107	26014-060302	19	19
129122-44480	9	16	171033-12540	5	16		20	17	26014-080162	19	42
129132-44530	19	41 -1	171033-12560	5	17	22360-060000	12	108		42	-2
129132-77700	17	18	171037-44740	10	16		20	18	26014-080252	16	21
129150-35350	9	37	171126-12580	5	21	22372-040000	20	17 -1	26014-080702	14	32
129150-59120	13	18	171301-01640	3	14 A	22372-060000	20	18 -1	26022-040082	11	45
129150-59131	13	21	171301-77201	16	1	22417-120120	12	107 -1	26022-040252	16	8
129150-59580	14	31	171301-77720	17	11	22512-040120	7	8	26033-040102	11	46 -1
129155-51280	12	16	174307-51700	12	30		22		26106-060102	9	42
129155-51580	13	2	194440-51630	2	32		8	6		12	60
	18	24	194940-52110	17	1	22857-500100	4	60 -1	26106-060122	1	22
129155-61480	12	23	194990-22050	2	27	23000-022000	9	19		3	17
129155-61830	13	2 -1		6	3	23010-038000	19	45		7	16
	18	24 -1		12	1	23061-070230	10	29	26106-060162	2	7
129156-61500	12	20 -1	198360-52160	17	6		19	30		7	31
129209-61920	12	100 -3	22117-040000	12	48	23414-080012	13	43		7	25
129209-61970	12	112	22117-060000	20	13	23414-120016	12	114	26106-060182	20	19
129350-12500	5	6	22137-040000	11	43	23414-140000	13	44		20	20
129350-12501	5	6 -1		20	14		18	21	26106-060202	5	5
129350-12520	5	10	22190-060003	12	104	23871-010000	1	11	26106-060222	3	10
129350-12530	5	11		11	104 -1	23871-020000	4	17 -1	26106-060302	2	8
129350-12540	5	7	22190-080002	11	49	23871-030000	9	20	26106-060452	3	18
129350-12650	5	10 -1		13	43 -1	23876-010000	1	11 -1		20	21
129350-12660	5	11 -1		58		23876-020000	4	17 -2	26106-060552	10	18 -1
129350-12900	5	12 -1		14	13	23876-030000	9	20 -1	26106-060602	2	9
129350-49530	10	19		18	14	24101-062034	7	24		10	10
	19	20		18	22	24102-063034	7	23		10	18
129350-49541	10	20	22190-120002	12	106	24104-062010	16	5 -1	26106-060652	2	34
	18	17		14	11 -1	24311-000110	9	41 -1	26106-060702	12	109
	19	21	22190-140002	13	44 -1	24311-000120	2	6		20	22
129350-49800	10	21	22190-220002	3	16		4	62	26106-060802	2	11
	19	22		16	-1		9	41	26106-060952	12	69
129403-49050	9	18		16	A-1		18	23	26106-080122	19	42 -1
		18 A		18	26	24311-000160	9	38	26106-080142	4	6
129403-49060	9	18 -1		26	-1	24311-000320	2	13		7	
129611-61100	20	2 -1	22212-100000	16	18		4	67	26106-080162	16	22
129611-61180	20	2 A	22217-040000	11	44		18	4	26106-080202	9	39
		2 A-1	22217-050000	4	59			10		10	22
		4 A	22242-000120	4	45			28		19	23

Parts No. Index

Parts No.	Fig. No.	Ref. No.
26106-080402	6	4
26106-080452	4	48
	10	13
	19	14
26106-100142	8	45
26106-100402	16	23
26106-120252	21	18 -1
26116-050202	12	3
26116-060304	12	103
26116-061002	20	23
26116-120252	15	22
	21	18
26206-100252	3	5
26206-100302	3	3 -1
26216-080222	6	5
26216-080552	6	6
26306-080002	4	49 -1
26366-060002	2	28
	20	24
26366-080002	4	49
	12	1 -1
26450-060202	9	12
26557-040082	2	36
26557-050102	4	60
26577-060122	10	11
	19	11
26587-040102	11	46
26587-080102	7	26
26687-120002	12	61 -1
26716-100002	16	19
26736-120002	12	100 -2
26756-060002	12	105
26776-120002	12	100 -1
26856-060002	4	40
		44
26857-060002	12	64 -1
26979-050162	4	46
27221-050080	4	18
27231-450000	1	12
27241-120000	1	13
27241-300000	1	14
27241-400000	4	19
27310-070001	4	24 -1
28110-100120	18	32
28110-140170	18	33
28110-190220	18	34
28210-000140	18	35
28227-191400	18	35 A
		35 A-1
28230-090150	18	35 B

Parts No.	Fig. No.	Ref. No.
28230-090150	18	35 B-1
719620-02800	1	15
719620-02870	1	25
719620-02930	1	18
719620-11521	4	50 -1
719620-11650	4	37
719620-11660	4	41
719620-23100	8	26
719620-23600	8	46
719620-23610	8	42
719620-53100	13	1
719621-51100	11	1
719623-01560	1	1
719623-11700	4	8 A
719623-11710	4	8
719624-51100	11	1 -1
719634-92600	18	1
719634-92601	18	1 -1
719634-92602	18	1 -2
719660-14590	7	18
719789-11650	4	37 A
719789-11660	4	41 A
721250-59080	13	46
X2114275070	15	18
X2114283500	15	21
X2114430010	15	8
X2114531200	15	6
X2114535200	15	9
		15
X2114586700	15	20
X2114631090	15	5
X2114660130	15	17
X2114680050	15	19
X2114715500	15	4
		21
		3
X2114780060	15	16
X2114811000	15	3
		21
		4
X2114821500	15	7
X2114831300	15	11
X2114931400	15	12
X2114966130	15	14
X2114990010	15	10
X2A07073KA	16	3 -1
X3A08877KA	16	19 A
X4A07023KB	16	4 -1
X4A07403K01	16	19 D
XM069000000	16	7
XM08137	16	2
XM08138	16	3

Parts No.	Fig. No.	Ref. No.
XM08180	16	4
XM17878	16	6
XM219230000	16	18 -1
XM27436	16	5
		15
XM329830000	16	9 A
XM37336	16	14
XM67935	16	19 B
XM721740000	16	12
		19 C
XM72664	16	13
XM82110	16	11
XM82184	16	10
XM860250000	16	17 -1
XM863720000	16	19 -1
XYSPS400800	16	9
XYSPS402400	16	8 -1

Parts No.	Fig. No.	Ref. No.
-----------	----------	----------