

OCR10-M45201EN

PREFACE

1. This Parts Catalog carries all parts incorporated in YANMAR Model 3TNE74-SA, G1A, G2A & 3TNE74C-SA, G1A.

2. Parts catalog history

	Parts catalog No.	Published	Note
1st edition	000Y00R4520	Apr., 1995	Disuse old edition
1st revised	000Y00R4521	Jul., 2002	

3. Model name

Column	Model name	Manufactured	E/#
(A)	3TNE74-SA	1995/4~	13639~
(B)	3TNE74-G1A	1995/9~	16007~
(C)	3TNE74-G2A	1996/2~	18343~
(D)	3TNE74C-SA	1996/1~	00102~
(E)	3TNE74C-G1A	1996/1~	00101~

4. Each illustration corresponds to the parts list on the following page.

5. When ordering parts, clearly write down the engine model and serial number, as well as the name and number of each part in your order sheet. This will help insure reliable delivery of the parts you have ordered.

Directions for the Parts Catalog.

1. This Parts Catalog shows both standard and optional parts.
2. Parts may change without prior notice.
3. The following is an example of the Parts Catalog format.

REF.	LEV.	PARTS NO.	DESCRIPTION	Q'TY						I	R
				(A)	(B)	(C)	(D)	(E)	(F)		
1	1	729595-51390	FUEL INJECTION PUMP	1	1	1	1	1			1
1-1	1	729595-51391	FUEL INJECTION PUMP	1	1	1	1	1		N	1
		(A=E00185) (B=E00200)									
3	2	26022-060162	SCREW M 6X 16	9	9	9	9	9			
3-1	2	26022-060162	SCREW M 6X 16	4	4	4	4	4		K	
		(A=E00156) (B=E00156) (C=E00156) (D=E00156) (E=E00156)									
4	2	129470-51040	CAMSHAFT	1	1	1	1	1			
5	2	122710-51050	BEARING, ROLLER	2	2	2	2	2			
6	2	129470-51060	RETAINER	1	1	1	1	1			

Remarks
(1) BOOST COMPEMSATOR TYPE. OPTIONAL PART, TO E00155,(4JH-DT, 4JH-DTZ

① Ref. No.

The Ref. No. listed may not be in accordance with the illustration Ref. No.

(Ex.) Illustration No.

List Ref No.

1 1 (Before change) → 1-1 (After change)

For interchangeable symbols N, R and K, illustrations for new parts may be abbreviated.

② Lev. (Level)

Level indication

The numbers below indicate the level of relativity towards the main part.

1 ---- Main parts (Assembly parts)

2 ---- Sub component included in " 1 ".

3 ---- Sub component included in " 2 ".

Note) Parts that are not for sale are partially illustrated but not listed.

③ Interchangeability Symbol

When a part change takes place, one of the following interchangeability symbols is indicated beside the part.

Symbol	Interchangeability	Contents note
N	Old $\begin{matrix} \leftarrow \text{Yes} \\ \text{No} \rightarrow \end{matrix}$ New	New Part is interchangeable for Old Part but Old Part is not interchangeable for New Part.
Q	Old $\begin{matrix} \leftarrow \text{No} \\ \text{Yes} \rightarrow \end{matrix}$ New	New Part is not interchangeable for Old Part but Old Part is interchangeable for New Part.
R	Old $\begin{matrix} \leftarrow \text{Yes} \\ \text{Yes} \rightarrow \end{matrix}$ New	New/ Old Parts are both interchangeable.
S	Old $\begin{matrix} \leftarrow \text{No} \\ \text{No} \rightarrow \end{matrix}$ New	New/ Old Parts are both not interchangeable.
W		Part newly added.
Z		Part discontinued.
F		Not interchangeable by a single part but interchangeable together with related parts.
K		Changes only for used parts quantities.

④ Effective Machine No.

When a part changes, the effective Machine No. will be indicated in the (A)-(F) column.

Product Symbol	Product No.	Product Symbol	Product No.
C	Clutch No. Compressor No.	F	Machine No. (Agricultural Equip.)
D	Drive No.	M	Machine No.
E	Engine No.		

Note 1) A date may follow the symbol. (Ex.) 1996.01

Note 2) "XXXXX" and "ZZZZZ" are for parts that could not be predicted or for engine models that could not be identified.

Note 3) (A=E00185) is the E (Engine Serial Number) for the column (A) model (in this case 4JH-DT) after the parts design change.

⑤ Remarks

Figures or alphabets (symbols) are entered in the remarks column.

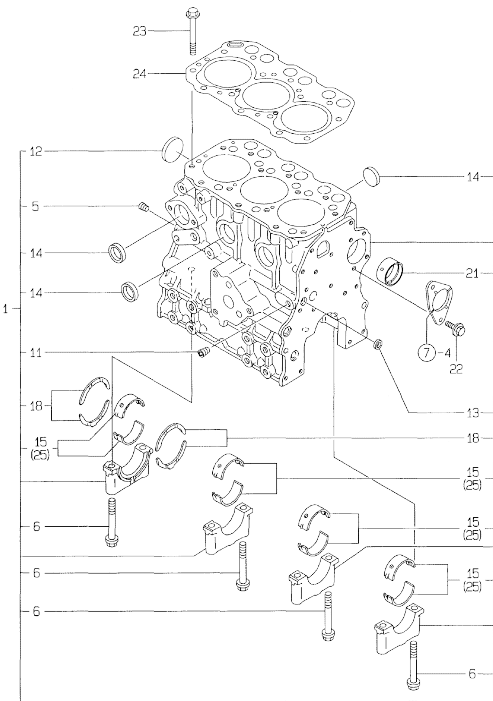
The comments (remarks) on parts that are indicated at the bottom of the illustration are the same symbols as those stated above.

Contents

Fig. No.	Fig. Name	Fig. No.	Fig. Name
3TNE74(C)-SA,G1A,G2A			
1.	CYLINDER BLOCK		
2.	GEAR HOUSING		
3.	FLYWHEEL HOUSING & OIL SUMP		
4.	CYLINDER HEAD & BONNET		
5.	SUCTION MANIFOLD & AIR CLEANER		
6.	EXHAUST MANIFOLD & SILENCER		
7.	CAMSHAFT & DRIVING GEAR		
8.	CRANKSHAFT & PISTON		
9.	LUB.OIL SYSTEM		
10.	COOLING WATER SYSTEM		
11.	RADIATOR		
12.	FUEL INJECTION PUMP		
13.	GOVERNOR		
14.	FUEL INJECTION VALVE		
15.	FUEL FILTER		
16.	ENGINE CONTROL DEVICE		
17.	STARTING MOTOR		
18.	GENERATOR		
19.	PANEL		
20.	GASKET SET		
21.	STARTING MOTOR(INNER PARTS		
22.	STARTING MOTOR(COLD DISTRICT)		

Fig.1. CYLINDER BLOCK

(A)=3TNE74-SA
 (B)=3TNE74-G1A
 (C)=3TNE74-G2A
 (D)=3TNE74C-SA
 (E)=3TNE74C-G1A
 (F)=

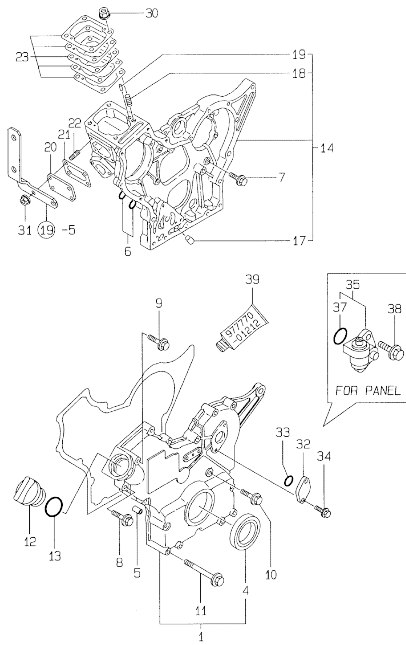


No.	Lev.	Parts No.	Description	Q'ty						I	R
				(A)	(B)	(C)	(D)	(E)	(F)		
1	1	719623-01560	BLOCK ASSY, CYLINDER	1	1	1	1	1			
5	2	119600-01050	PLUG, PT1/4	1	1	1	1	1			
6	2	119620-02020	BOLT, METAL CAP	8	8	8	8	8			
11	2	23871-010000	PLUG, R01	1	1	1	1	1			
11-1	2	23876-010000	PLUG, R01	1	1	1	1	1		N	
		(A=E0000) (B=E0000) (C=E0000) (D=E0000) (E=E0000)									
12	2	27231-450000	PLUG 45	1	1	1	1	1			
12-1	2	119623-01250	PLUG, 45	1	1	1	1	1		N	
		(A=E0000) (B=E0000) (C=E0000) (D=E0000) (E=E0000)									
13	2	27241-120000	PLUG, 12	1	1	1	1	1			
14	2	27241-300000	PLUG 30	6	6	6	6	6			
15	2	719620-02800	BEARING, MAIN	4	4	4	4	4			
18	2	719620-02930	BEARING, THRUST	2	2	2	2	2			
21	2	119620-02410	BUSH, CAMSHAFT	1	1	1	1	1			
21-1	2	119624-02410	BUSH	1	1	1	1	1		R	
		(A=E32212) (B=E32569) (C=E32211) (D=E00199) (E=E00200)									
22	1	26106-060122	BOLT, M6X 12 PLATED	2	2	2	2	2			
23	1	119620-01200	BOLT, HEAD	14	14	14	14	14			
24	1	119623-01330	GASKET, HEAD	1	1	1	1	1			
25	1	719620-02870	BEARING, 0.25 US	4	4	4	4	4		1	

Remarks
 (1) UNDER-SIZE (U.S=0.25) PART.

N:Old $\frac{100}{100}$ New, Q:Old $\frac{100}{100}$ New, R:Old $\frac{100}{100}$ New, S:Old $\frac{100}{100}$ New, W:Add, Z:Discontinued, F:Interchangeable by set, K:Q'ty Change
 Copyright (C) YANMAR CO., LTD. All Rights Reserved.

Fig.2. GEAR HOUSING



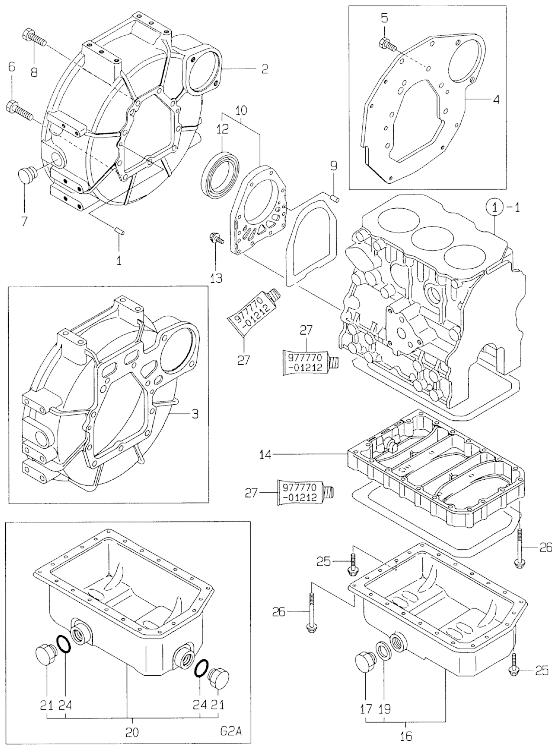
(A)=3TNE74-SA
(B)=3TNE74-G1A
(C)=3TNE74-G2A
(D)=3TNE74C-SA
(E)=3TNE74C-G1A
(F)=

No.	Lev.	Parts No.	Description	Qty						I	R
				(A)	(B)	(C)	(D)	(E)	(F)		
1	1	119610-01590	COVER ASSY,GEAR CASE	1	1	1	1	1			
4	2	119620-01800	SEAL, OIL	1	1	1	1	1			
5	1	119660-01911	PIPE, KNOCK	4	4	4	4	4			
6	1	24311-000120	O-RING, 1AP12.0	2	2	2	2	2			
6-1	1	119624-32040	O-RING, P12.0	2	2	2	2	2		N	
		(A=E61629) (B=E61596) (C=E61671) (D=E00240) (E=E61811)									
7	1	26106-060162	BOLT, M6X 16 PLATED	7	7	7	7	7			
8	1	26106-060302	BOLT, M6X 30 PLATED	8	8	8	8	8			
9	1	26106-060602	BOLT, M6X 60 PLATED	1	1	1	1	1			
10	1	26106-060602	BOLT, M6X 60 PLATED	3	3	3	3	3			
11	1	26106-060802	BOLT, M6X 80 PLATED	6	6	6	6	6			
12	1	124160-01751	COVER, FILLER	1	1	1	1	1			
13	1	24311-000320	O-RING, 1AP32.0	1	1	1	1	1			
14	1	119610-01490	CASE ASSY, GEAR	1	1	1	1	1			
17	2	119660-01510	PLUG, 10X14	1	1	1	1	1			
18	2	121450-01560	STUD, M8X22	4	4	4	4	4			
19	2	22351-040010	PIN, SPRING 4.0X10	2	2	2	2	2			
20	1	119660-01551	COVER	1	1	1	1	1			
21	1	119660-01562	GASKET	1	1	1	1	1			
22	1	119660-01570	STUD, M6X12	4	4	4	4	4			
23	1	119623-01950	SHIM SET, ADJUSTING	1	1	1	1	1			
30	1	194990-22050	NUT, M8	4	4	4	4	4			
31	1	26366-060002	NUT, M6	4	4	4	4	4			
32	1	121023-01550	COVER	1	1	1	1	1			
33	1	24341-000240	O-RING, 1AS24.0	1	1	1	1	1			
34	1	26106-060182	BOLT, M6X 18 PLATED	2	2	2	2	2			
34-1	1	26106-060162	BOLT, M6X 16 PLATED	2	2	2	2	2		N	
		(A=E0000) (B=E0000) (C=E0000) (D=E0000) (E=E0000)									
35	1	129150-91400	GEAR	1	1	1	1	1		1	
37	2	24341-000240	O-RING, 1AS24.0	1	1	1	1	1		1	
38	1	26106-060162	BOLT, M6X 16 PLATED	2	2	2	2	2		1	
39	1	977770-01212	GASKET, LIQUID	1	1	1	1	1		W 2	
		(A=E0000) (B=E0000) (C=E0000) (D=E0000) (E=E0000)									

Remarks
(1) FOR PANEL
(2) OPTIONAL PART.

Fig.3. FLYWHEEL HOUSING & OIL SUMP

(A)=3TNE74-SA
 (B)=3TNE74-G1A
 (C)=3TNE74-G2A
 (D)=3TNE74C-SA
 (E)=3TNE74C-G1A
 (F)=



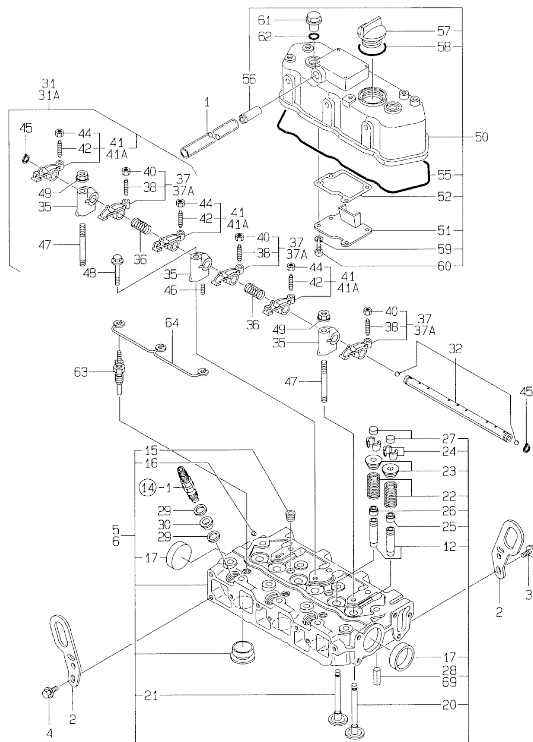
No.	Lev.	Parts No.	Description	Q'ty						I	R
				(A)	(B)	(C)	(D)	(E)	(F)		
1	1	129100-01580	PIN, M8X16		2	2	2	2	2		
2	1	119280-01600	FLANGE, MOUNTING	1	1	1	1	1			
3	1	119600-01600	HOUSING, FLYWHEEL	1		1	1				
4	1	119621-01611	FLANGE, MOUNTING	1	1	1	1				
5	1	26116-100202	BOLT, M10X 20 PLATED	8		8	8				
6	1	121120-01620	BOLT, M10X28	3	3	3	3	3			
7	1	119620-01750	CAP	1	1	1	1	1			
8	1	26206-100252	BOLT, M10X 25 PLATED	6	6	6	6	6			
9	1	119620-01620	PIN, M6X10	2	2	2	2	2			
10	1	119660-01640	CASE ASSY, OIL SEAL	1	1	1	1	1			
12	2	124085-02220	SEAL, OIL	1	1	1	1	1			
13	1	26106-060222	BOLT, M6X 22 PLATED	10	10	10	10	10			
14	1	119600-01722	SPACER, OIL SUMP	1	1	1	1	1			
16	1	719631-01540	SUMP ASSY, OIL	1	1	1	1	1			
17	2	119640-01640	PLUG, DRAIN M22	1	1	1	1	1			
19	2	22190-220002	WASHER, SEAL 22	1	1	1	1	1			
20	1	119600-01770	SUMP ASSY, OIL					1			
21	2	171301-01640	PLUG, 22					2			
24	2	24341-000250	O-RING, 1AS25.0					2			
25	1	26106-060122	BOLT, M6X 12 PLATED	3	3	3	3	3			
26	1	26106-060452	BOLT, M6X 45 PLATED	20	20	20	20	20			
27	1	97770-01212	GASKET, LIQUID	1	1	1	1	1		W 1	

(A)=EXXX (B)=EXXX (C)=EXXX (D)=EXXX (E)=EXXX

Remarks
 (1) OPTIONAL PART.

N:Old $\frac{New}{Old}$ New, Q:Old $\frac{New}{Old}$ New, R:Old $\frac{New}{Old}$ New, S:Old $\frac{New}{Old}$ New, W:Add, Z:Discontinued, F:Interchangeable by set, K:Q'ty Change
 Copyright (C) YANMAR CO., LTD. All Rights Reserved.

Fig.4. CYLINDER HEAD & BONNET



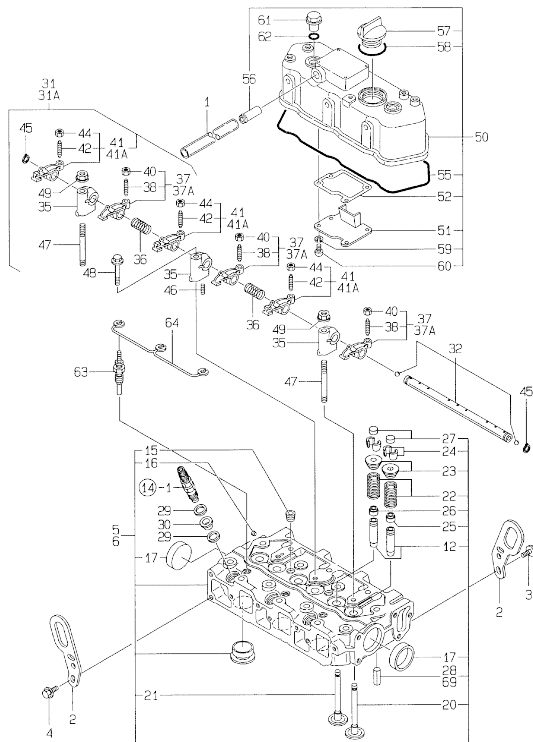
(A)=3TNE74-SA
(B)=3TNE74-G1A
(C)=3TNE74-G2A
(D)=3TNE74C-SA
(E)=3TNE74C-G1A
(F)=

No.	Lev.	Parts No.	Description	Q'ty						I	R
				(A)	(B)	(C)	(D)	(E)	(F)		
1	1	23065-120500	PIPE, 12X 500	1	1	1	1	1	1		
2	1	119260-07900	LIFTER	2	2	2	2	2	2		
3	1	26106-080142	BOLT, M8X 14 PLATED	1	1	1	1	1	1		
4	1	26106-080142	BOLT, M8X 14 PLATED	2	2	2	2	2	2		
5	1	719623-11710	HEAD ASSY, CYLINDER				1				
6	1	719623-11700	HEAD ASSY, CYLINDER	1	1			1	1		
12	2	119620-11801	GUIDE, VALVE	6	6	6	6	6	6		1
15	2	121850-11860	PLUG, PT1/4	2	2	2	2	2	2		
15-1	2	23876-020000	PLUG, R02	2	2	2	2	2	2		N
16	(A=E0000)	(B=E0000)	(C=E0000)	(D=E0000)	(E=E0000)						
16	2	27221-050080	PLUG, 5X 8	1	1	1	1	1	1		
17	2	27241-400000	PLUG, 40	2	2	2	2	2	2		
20	2	119623-11100	VALVE, INTAKE	3	3	3	3	3	3		
21	2	119620-11110	VALVE, EXHAUST	3	3	3	3	3	3		
22	2	119620-11120	SPRING, VALVE	6	6	6	6	6	6		
23	2	119620-11180	RETAINER, SPRING	6	6	6	6	6	6		
24	2	27310-070001	COTTER, 7	6	6	6	6	6	6		
25	2	124160-11340	SEAL, VALVE STEM	3	3	3	3	3	3		
26	2	124950-11340	SEAL, VALVE STEM	3	3	3	3	3	3		
27	2	104211-11370	CAP, VALVE	6	6	6	6	6	6		
28	2	22351-060012	PIN, SPRING 6.0X12	2	2	2	2	2	2		
29	1	119600-11460	GASKET, NOZZLE	6	6	6	6	6	6		
30	1	119600-11450	PROTECTOR, NOZZLE	3	3	3	3	3	3		
31	1	119620-11200	SUPPORT ASSY, ARM	1	1	1	1	1	1		
31A	1	119789-11200	SUPPORT ASSY, ARM		1				1		
32	2	119620-11240	SHAFT ASSY, ROCKER	1	1	1	1	1	1		
35	2	119620-11260	SUPPORT, ROCKER ARM	3	3	3	3	3	3		
36	2	119620-11280	SPRING	2	2	2	2	2	2		
37	2	719620-11650	ARM ASSY, ROCKER	3		3		3			
37A	2	719789-11650	ARM ASSY, ROCKER			3			3		
38	3	105010-11230	SCREW, VALVE ADJUST	3	3	3	3	3	3		
40	3	26756-060002	NUT, LOCK M6	3	3	3	3	3	3		
40-1	3	26856-060002	NUT, M6	3		3		3			N
41	(A=E32212)	(C=E32211)	(D=E00199)								
41	2	719620-11660	ARM ASSY, ROCKER	3		3		3			
41A	2	719789-11660	ARM ASSY, ROCKER		3				3		
42	3	105010-11230	SCREW, VALVE ADJUST	3	3	3	3	3	3		
44	3	26756-060002	NUT, LOCK M6	3	3	3	3	3	3		
44-1	3	26856-060002	NUT, M6	3		3		3			N
45	(A=E32212)	(C=E32211)	(D=E00199)								
45	2	22242-000120	RING, 12	2	2	2	2	2	2		
46	2	26979-050162	SCREW, M5X16	1	1	1	1	1	1		
47	1	119620-11350	STUD	2	2	2	2	2	2		
48	1	26106-080452	BOLT, M8X 45 PLATED	1	1	1	1	1	1		
49	1	26366-080002	NUT, M8	2	2	2	2	2	2		
49-1	1	26306-080002	NUT, M8	2	2	2	2	2	2		N
50	(A=E0000)	(B=E0000)	(C=E0000)	(D=E0000)	(E=E0000)						
50	1	119620-11330	BONNET ASSY, HEAD	1		1					
50-1	1	119657-11350	BONNET ASSY, HEAD	1	1	1	1	1	1		N
51	(A=E15206)	(C=E36145)									
51	2	119620-03020	PLATE, SHELTER	1	1	1	1	1	1		

Remarks
(1) REPAIR PART.

N:Old $\frac{100}{100}$ New, Q:Old $\frac{100}{100}$ New, R:Old $\frac{100}{100}$ New, S:Old $\frac{100}{100}$ New, W:Add, Z:Discontinued, F:Interchangeable by set, K:Q'ty Change
++ CONTINUE ++
Copyright (C) YANMAR CO., LTD. All Rights Reserved.

Fig.4. CYLINDER HEAD & BONNET



(A)=3TNE74-SA
(B)=3TNE74-G1A
(C)=3TNE74-G2A

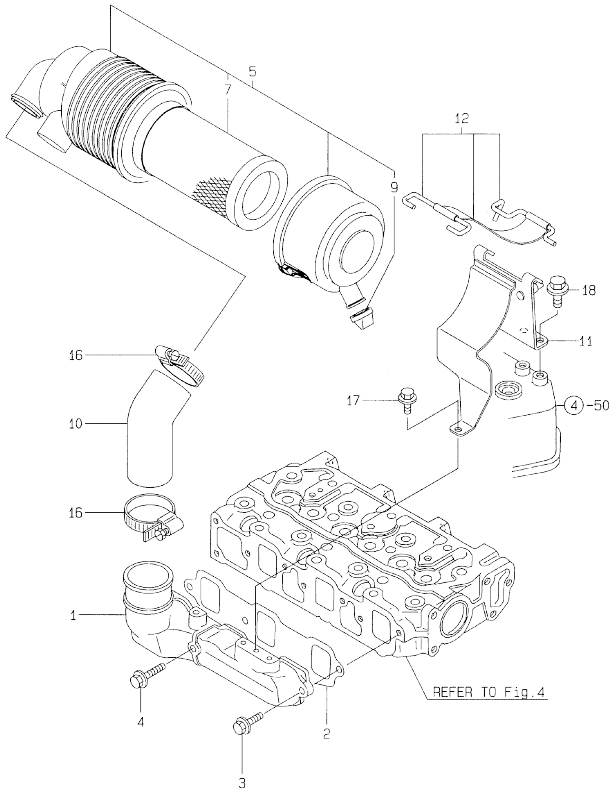
(D)=3TNE74C-SA
(E)=3TNE74C-G1A
(F)=

No.	Lev.	Parts No.	Description	Q'ty						I	R
				(A)	(B)	(C)	(D)	(E)	(F)		
52	2	119620-03031	GASKET	1	1	1	1	1			
55	2	119620-11310	GASKET, BONNET	1	1	1	1	1			
56	2	119620-11390	JOINT	1	1	1	1	1			
56-1	2	118400-03060	JOINT, BREATHER	1	1	1	1	1		R	
		(A=E36146) (B=E36948) (C=E36145) (D=E00235) (E=E00222)									
57	2	124160-01751	COVER, FILLER	1	1	1	1	1			
57-1	2	119807-11770	PLUG	1	1	1	1	1		N	
		(A=E15206) (C=E36145)									
58	2	24311-000320	O-RING, 1AP32.0	1	1					Z	
		(A=E15206) (C=E36145)									
59	2	22217-050000	WASHER, SPRING 5	4	4	4	4	4		Z	
		(A=E28266) (B=E31094) (C=E28527) (D=E00190) (E=E00183)									
60	2	26557-050102	SCREW, M5X10	4	4	4	4	4			
60-1	2	22857-500100	SCREW, 5X10	4	4	4	4	4		R	
		(A=E28266) (B=E31094) (C=E28527) (D=E00190) (E=E00183)									
61	1	124160-11360	KNOB	2	2	2	2	2			
62	1	24311-000120	O-RING, 1AP12.0	2	2	2	2	2			
63	1	129795-77800	PLUG, GLOW	3	3	3	3	3			
64	1	119620-77820	CONNECTOR, GLOW PLUG	1	1	1	1	1			
69	1	22351-060012	PIN, SPRING 6.0X12			2					

Remarks
(1) REPAIR PART.

N:Old $\frac{100}{100}$ New, Q:Old $\frac{100}{100}$ New, R:Old $\frac{100}{100}$ New, S:Old $\frac{100}{100}$ New, W:Add, Z:Discontinued, F:Interchangeable by set, K:Qty Change
Copyright (C) YANMAR CO., LTD. All Rights Reserved.

Fig.5. SUCTION MANIFOLD & AIR CLEANER



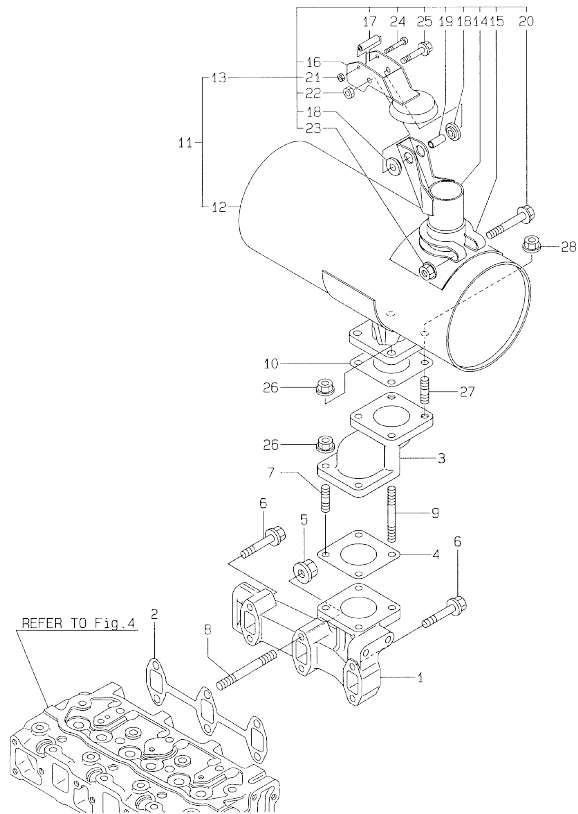
(A)=3TNE74-SA
(B)=3TNE74-G1A
(C)=3TNE74-G2A

(D)=3TNE74C-SA
(E)=3TNE74C-G1A
(F)=

No.	Lev.	Parts No.	Description	Q'ty						I	R
				(A)	(B)	(C)	(D)	(E)	(F)		
1	1	119660-12101	MANIFOLD, AIR INTAKE	1	1	1	1	1			
2	1	119660-12111	GASKET, MANIFOLD	1	1	1	1	1			
3	1	26106-060162	BOLT, M6X 16 PLATED	2	2	2	2	2			
4	1	26106-060402	BOLT, M6X 40 PLATED	1	1	1	1	1			
5	1	119653-12500	CLEANER ASSY, AIR	1	1	1	1	1			
7	2	119655-12560	ELEMENT	1	1	1	1	1			
9	2	119808-12540	VALVE, UNLOADER	1	1	1	1	1			
10	1	119653-12550	PIPE, AIR INTAKE	1	1	1	1	1			
11	1	119653-12600	SUPPORT, AIR CLEANER	1		1					
11-1	1	119789-12600	SUPPORT, AIR CLEANER	1	1	1	1	1		N	
		(A=E16295)	(C=E18343)								
12	1	119865-12600	BAND ASSY, CLEANER	1	1	1	1	1			
16	1	23000-054000	CLAMP, 54	2	2	2	2	2			
17	1	26106-060122	BOLT, M6X 12 PLATED	1	1	1	1	1			
18	1	26106-080142	BOLT, M8X 14 PLATED	2	2	2	2	2			

N:Old $\frac{New}{Old}$ New, Q:Old $\frac{New}{Old}$ New, R:Old $\frac{New}{Old}$ New, S:Old $\frac{New}{Old}$ New, W:Add, Z:Discontinued, F:Interchangeable by set, K:Q'ty Change
Copyright (C) YANMAR CO., LTD. All Rights Reserved.

Fig.6. EXHAUST MANIFOLD & SILENCER

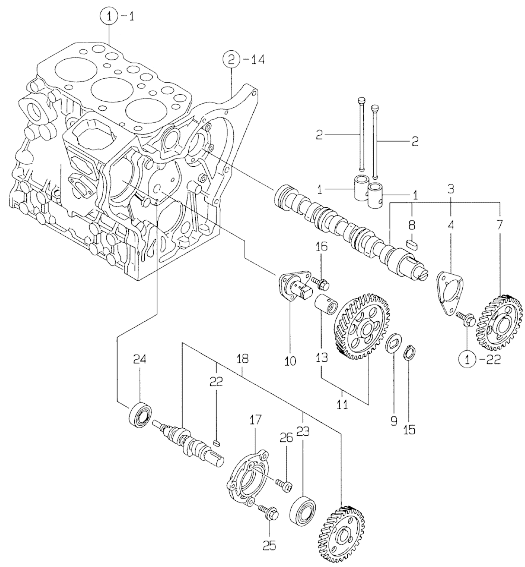


(A)=3TNE74-SA
(B)=3TNE74-G1A
(C)=3TNE74-G2A
(D)=3TNE74C-SA
(E)=3TNE74C-G1A
(F)=

No.	Lev.	Parts No.	Description	Q'ty						I	R
				(A)	(B)	(C)	(D)	(E)	(F)		
1	1	119631-13101	MANIFOLD, EXHAUST	1	1	1	1	1			
2	1	119620-13110	GASKET	1	1	1	1	1			
3	1	119840-13150	PIPE	1	1	1	1	1			
4	1	121000-13201	GASKET, SILENCER	1	1	1	1	1			
5	1	194990-22050	NUT, M8	2	2	2	2	2			
5-1	1	26306-080002	NUT, M8	2	2	2	2	2		N	
6	1	26106-080402	BOLT, M8X 40 PLATED	4	4	4	4	4			
7	1	26216-080222	STUD, M8X 22	2	2	2	2	2			
7-1	1	119131-18320	STUD, M8X22	2	2	2	2	2		N	
8	1	26216-080552	STUD, M8X 55	2	2	2	2	2			
9	1	26216-080702	STUD, M8X 70	2	2	2	2	2			
9-1	1	119823-13600	STUD, M8X70	2	2	2	2	2		N	
10	1	121000-13201	GASKET, SILENCER	1	1	1	1	1			
11	1	119620-13501	SILENCER	1	1	1	1	1			
12	2	119620-13510	SILENCER ASSY	1	1	1	1	1			
13	2	119620-13520	PIPE ASSY, TAIL	1	1	1	1	1			
14	3	119620-13560	PIPE, TAIL	1	1	1	1	1			
15	3	124664-13580	CLAMP	1	1	1	1	1			
16	3	119358-13640	CAP, RAIN	1	1	1	1	1			
17	3	121855-13821	SPACER, A	1	1	1	1	1			
18	3	121855-13830	SPACER, B	2	2	2	2	2			
19	3	123500-13840	SPACER, C	1	1	1	1	1			
20	3	26106-080552	BOLT, M8X 55 PLATED	1	1	1	1	1			
21	3	26347-040002	NUT, M4	1	1	1	1	1			
22	3	26347-060002	NUT, M6	1	1	1	1	1			
23	3	26366-080002	NUT, M8	1	1	1	1	1			
23-1	3	26306-080002	NUT, M8	1	1	1	1	1		N	
24	3	26557-040352	SCREW, M4X35	1	1	1	1	1			
25	3	26106-060402	BOLT, M6X 40 PLATED	1	1	1	1	1			
26	1	194990-22050	NUT, M8	4	4	4	4	4			
26-1	1	26306-080002	NUT, M8	4	4	4	4	4		N	
27	1	26216-080222	STUD, M8X 22	2	2	2	2	2			
27-1	1	119131-18320	STUD, M8X22	2	2	2	2	2		N	
28	1	194990-22050	NUT, M8	2	2	2	2	2			
28-1	1	26306-080002	NUT, M8	2	2	2	2	2		N	

Fig.7. CAMSHAFT & DRIVING GEAR

(A)=3TNE74-SA
 (B)=3TNE74-G1A
 (C)=3TNE74-G2A
 (D)=3TNE74C-SA
 (E)=3TNE74C-G1A
 (F)=



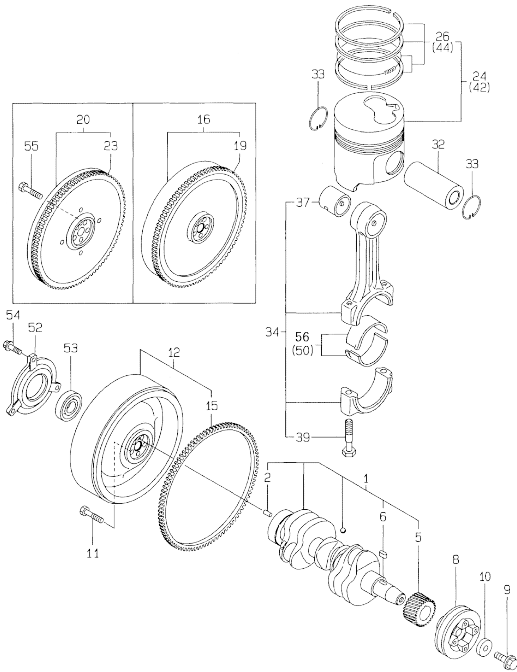
No.	Lev.	Parts No.	Description	Q'ty						I	R
				(A)	(B)	(C)	(D)	(E)	(F)		
1	1	119620-14200	TAPPET	6	6	6	6	6			
2	1	119620-14401	ROD, PUSH	6	6	6	6	6			
3	1	119629-14580	CAMSHAFT ASSY	1	1	1	1	1			
4	2	119620-02450	BEARING, THRUST	1	1	1	1	1			
7	2	119620-14100	GEAR, CAMSHAFT	1	1	1	1	1			
8	2	22512-040120	KEY, 4X 12	1	1	1	1	1			
9	1	119660-25022	RETAINER	1	1	1	1	1			
10	1	119660-25052	SHAFT, IDLE	1	1	1	1	1			
11	1	119620-25102	GEAR ASSY, IDLE	1	1	1	1	1			
13	2	119620-25912	BUSH	1	1	1	1	1		1	
15	1	22242-000200	RING, 20	1	1	1	1	1			
16	1	26106-060122	BOLT, M6X 12 PLATED	3	3	3	3	3			
17	1	119660-01821	BEARING, FUEL CAM	1	1	1	1	1			
18	1	719660-14590	CAMSHAFT	1	1	1	1	1			
22	2	22512-040120	KEY, 4X 12	1	1	1	1	1			
23	2	24102-063034	BEARING, BALL 6303U	1	1	1	1	1			
24	1	24101-062034	BEARING, BALL 6203	1	1	1	1	1			
25	1	26106-060162	BOLT, M6X 16 PLATED	3	3	3	3	3			
26	1	26587-080102	SCREW, M8X10	1	1	1	1	1			

Remarks
 (1) REPAIR PART.

N:Old $\frac{New}{Old}$ New, Q:Old $\frac{New}{Old}$ New, R:Old $\frac{New}{Old}$ New, S:Old $\frac{New}{Old}$ New, W:Add, Z:Discontinued, F:Interchangeable by set, K:Q'ty Change
 Copyright (C) YANMAR CO., LTD. All Rights Reserved.

Fig.8. CRANKSHAFT & PISTON

(A)=3TNE74-SA
(B)=3TNE74-G1A
(C)=3TNE74-G2A
(D)=3TNE74C-SA
(E)=3TNE74C-G1A
(F)=

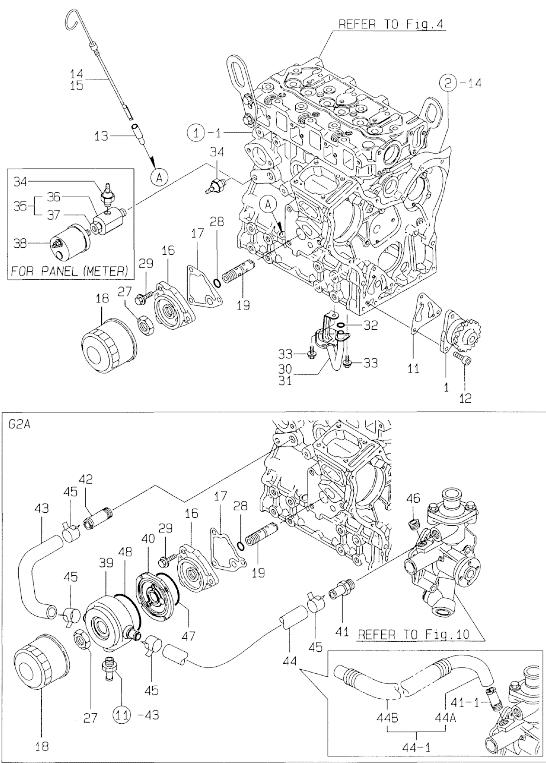


No.	Lev.	Parts No.	Description	Qty						I	R
				(A)	(B)	(C)	(D)	(E)	(F)		
1	1	119623-21700	CRANKSHAFT ASSY	1	1	1	1	1			
2	2	129100-01580	PIN, M8X16	1	1	1	1	1			
5	2	119644-21200	GEAR, CRANKSHAFT	1	1	1	1	1			
6	2	22512-040120	KEY, 4X 12	1	1	1	1	1			
8	1	119660-21651	V-PULLEY	1	1	1	1	1			
9	1	119621-21680	BOLT, FLANGE 12X1.25	1	1	1	1	1			
10	1	119620-21941	WASHER	1	1	1	1	1			
11	1	121111-21501	BOLT, FLYWHEEL	5	5	5	5	5			
12	1	119688-21590	FLYWHEEL ASSY	1	1	1	1	1			
15	2	119865-21600	GEAR, RING	1	1	1	1	1			
16	1	119600-21580	FLYWHEEL ASSY	1		1	1				
19	2	119865-21600	GEAR, RING	1		1	1				
20	1	119620-21591	FLYWHEEL ASSY	1	1	1	1	1			
23	2	124060-21600	GEAR, RING	1		1	1				
24	1	119623-22080	PISTON ASSY	3	3	3	3	3			
26	2	119623-22500	RING SET, PISTON	3	3	3	3	3			
32	1	114350-22301	PIN, PISTON D=21	3	3	3	3	3			
33	1	22252-000210	RING, 21	6	6	6	6	6			
34	1	719620-23100	ROD ASSY, CONNECTING	3	3	3	3	3			
37	2	119620-23910	BEARING, PISTON PIN	3	3	3	3	3		1	
39	2	105225-23200	BOLT, CONNECTING ROD	6	6	6	6	6			
42	1	119623-22900	PISTON ASSY, 0.25 OS	3	3	3	3	3		2	
44	2	119623-22950	RING SET, 0.25 OS	3	3	3	3	3		2	
50	1	719620-23610	BEARING ASSY, 0.25	3	3	3	3	3		3	
52	1	119888-21450	RETAINER, BEARING	1			1				
53	1	24104-062054	BEARING, BALL 6205UU	1			1				
54	1	26106-080222	BOLT, M8X 22 PLATED	3			3				
55	1	119620-21500	BOLT, FLYWHEEL	5		5	5				
56	1	719620-23600	BEARING, CRANK PIN	3	3	3	3	3			

Remarks
(1) REPAIR PART.
(2) OVER-SIZE(O.S=0.25)PART.
(3) UNDER-SIZE(U.S=0.25)PART.

Fig.9. LUB.OIL SYSTEM

(A)=3TNE74-SA
(B)=3TNE74-G1A
(C)=3TNE74-G2A
(D)=3TNE74C-SA
(E)=3TNE74C-G1A
(F)=



No.	Lev.	Parts No.	Description	Q'ty						I	R
				(A)	(B)	(C)	(D)	(E)	(F)		
1	1	119660-32001	PUMP ASSY, OIL	1	1	1	1	1			
11	1	119660-32020	GASKET, PUMP	1	1	1	1	1			
12	1	26450-060202	BOLT, M6X 20	3	3	3	3	3			
13	1	121520-34810	GUIDE, DIPSTICK	1	1	1	1	1			
14	1	119600-34800	DIPSTICK, OIL	1	1	1	1	1			
15	1	119600-34820	DIPSTICK, OIL					1			
15-1	1	119623-34820	DIPSTICK, OIL (C=E18343)					1		N	
16	1	119660-35102	BRACKET, FILTER	1	1	1	1	1			
17	1	119660-35113	GASKET	1	1	1	1	1			
18	1	119305-35150	FILTER, OIL	1	1	1	1	1			
19	1	119660-35300	VALVE ASSY, CONTROL	1	1	1	1	1			
19-1	1	129120-35301	VALVE ASSY,OIL PRESS (C=E18343)					1		N	
27	1	129150-35350	NUT	1	1	1	1	1			
28	1	24311-000160	O-RING, 1AP16.0	1	1	1	1	1			
29	1	26106-080202	BOLT, M8X 20 PLATED	3	3	3	3	3			
30	1	119600-35081	PIPE ASSY, OIL INLET	1	1	1	1	1			
30-1	1	119623-35080	PIPE ASSY, OIL INLET (A=E33049) (B=E36948) (D=E00201) (E=E00203)					1		N	
31	1	119600-35091	PIPE ASSY, OIL INLET					1			
32	1	24311-000120	O-RING, 1AP12.0	1	1	1	1	1			
32-1	1	24311-000110	O-RING, 1AP11.0	1	1	1	1	1		R	
32-2	1	119209-35030	O-RING, P11 (A=E25948) (B=E31094) (C=E25847) (D=E00190) (E=E00169)	1	1	1	1	1		R	
33	1	26106-060102	BOLT, M6X 10 PLATED	2	2	2	2	2			
34	1	124160-39450	SWITCH, 0.5KG	1	1	1	1	1			
35	1	171375-39600	DAMPER ASSY	1	1	1	1	1		1	
35-1	1	127695-39710	DAMPER, PT1/8	1	1	1	1	1		N 1	
36	2	129470-39610	DAMPER (A=E13639) (C=E18343)					1		Z 1	
37	2	23161-020100	BUSH, R1/4X1/8 (A=E13639) (C=E18343)					1		Z 1	
38	1	144626-91560	SENSOR	1	1	1	1	1		1	
39	1	119642-33030	COOLER, OIL					1			
40	1	119642-33100	BRACKET, COOLER					1			
41	1	119265-44400	JOINT, PIPE					1			
41-1	1	121851-11970	JOINT, PIPE (C=E19709)					1		N	
42	1	129122-44480	JOINT					1			
43	1	119642-49030	PIPE, WATER					1			
44	1	129403-49050	PIPE, WATER					1			
44-1	1	119642-49050	PIPE, WATER (C=E19709)					1		N	
44A	2	119642-49060	PIPE, WATER (C=E19709)					1		W	
44B	2	119642-49090	TUBE, CORRUGATED (C=E19709)					1		W	
45	1	23000-022000	CLAMP, 22					4			

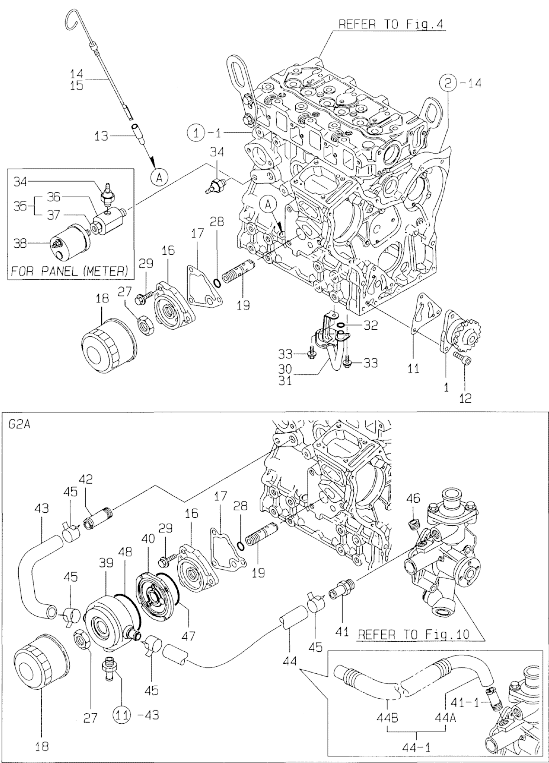
Remarks
(1) FOR PANEL(METER).

N:Old $\frac{New}{Old}$ New, Q:Old $\frac{New}{Old}$ New, R:Old $\frac{New}{Old}$ New, S:Old $\frac{New}{Old}$ New, W:Add, Z:Discontinued, F:Interchangeable by set, K:Q'ty Change
++ CONTINUE ++
Copyright (C) YANMAR CO., LTD. All Rights Reserved.

Fig.9. LUB.OIL SYSTEM

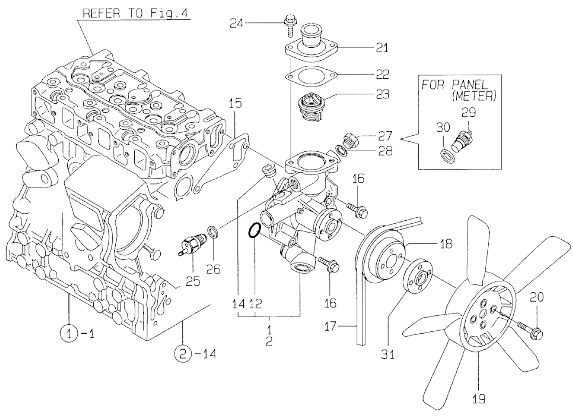
(A)=3TNE74-SA
 (D)=3TNE74C-SA
 (B)=3TNE74-G1A
 (E)=3TNE74C-G1A
 (C)=3TNE74-G2A
 (F)=

No.	Lev.	Parts No.	Description	Q'ty						I	R
				(A)	(B)	(C)	(D)	(E)	(F)		
46	1	23871-030000	PLUG, R03 (C=E19709)			1					Z
47	1	24321-000600	O-RING, 1AG60.0				1				
48	1	24321-000700	O-RING, 1AG70.0				1				



Remarks
 (1) FOR PANEL(METER).

Fig.10. COOLING WATER SYSTEM



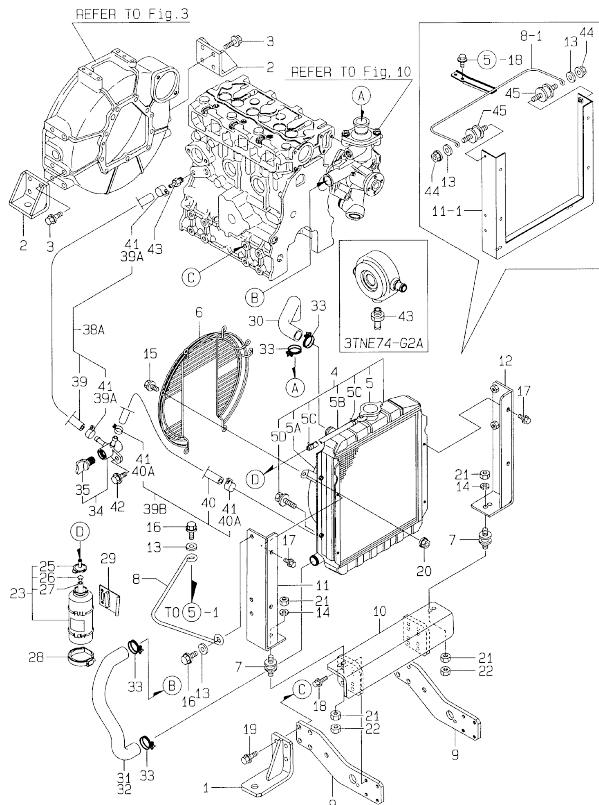
(A)=3TNE74-SA
(B)=3TNE74-G1A
(C)=3TNE74-G2A
(D)=3TNE74C-SA
(E)=3TNE74C-G1A
(F)=

No.	Lev.	Parts No.	Description	Qty						I	R
				(A)	(B)	(C)	(D)	(E)	(F)		
1	1	119660-42004	PUMP ASSY, WATER	1	1		1	1			
1-1	1	119660-42005	PUMP ASSY, WATER	1	1		1	1			N
		(A=E21090) (B=E21227)	(D=E00138) (E=E00133)								
1-2	1	119660-42006	PUMP ASSY, WATER	1	1		1	1			N
		(A=E37021) (B=E38230)	(D=E00235) (E=E00236)								
2	1	119642-42000	PUMP ASSY, WATER				1				
12	2	119620-42320	O-RING	1	1	1	1	1	1		
14	2	23871-030000	PLUG, R03	1	1	1	1	1	1		
14-1	2	23876-030000	PLUG, R03	1	1	1	1	1	1		N
		(A=E0000) (B=E0000)	(D=E0000) (E=E0000)								
15	1	119620-42020	GASKET, WATER PUMP	1	1	1	1	1	1		
16	1	26106-080452	BOLT, M8X 45 PLATED	4	4	4	4	4	4		
17	1	119650-42291	V-BELT, 35	1	1	1	1	1	1		
18	1	119660-42350	V-PULLEY	1	1	1	1	1	1		
19	1	124700-44740	FAN, COOLING 5X310	1	1	1	1	1	1		
20	1	26014-060162	BOLT, M6X 16	4	4	4	4	4	4		
20-1	1	26106-060202	BOLT, M6X 20 PLATED	4	4	4					N
		(A=E15206) (C=E18343)									
21	1	129350-49530	COVER, THERMOSTAT	1	1	1	1	1	1		
22	1	129350-49541	GASKET	1	1	1	1	1	1		
23	1	129350-49800	THERMOSTAT, 71	1	1	1	1	1	1		
24	1	26106-080202	BOLT, M8X 20 PLATED	2	2	2	2	2	2		
25	1	121250-44901	SWITCH, 110	1	1	1	1	1	1		
26	1	124465-44950	GASKET, 110	1	1	1	1	1	1		
27	1	121450-42450	PLUG, M16	1	1	1	1	1	1		
28	1	124465-44950	GASKET, 16	1	1	1	1	1	1		
29	1	124250-49351	SENSOR	1	1	1	1	1	1		1
30	1	129150-49360	GASKET	1	1	1	1	1	1		1
31	1	124574-44761	SPACER, FAN	1	1	1					W
		(A=E15206) (C=E18343)									

Remarks
(1) FOR PANEL(METER).

N:Old $\frac{New}{Old}$ New, Q:Old $\frac{New}{Old}$ New, R:Old $\frac{New}{Old}$ New, S:Old $\frac{New}{Old}$ New, W:Add, Z:Discontinued, F:Interchangeable by set, K:Qty Change
Copyright (C) YANMAR CO., LTD. All Rights Reserved.

Fig.11. RADIATOR

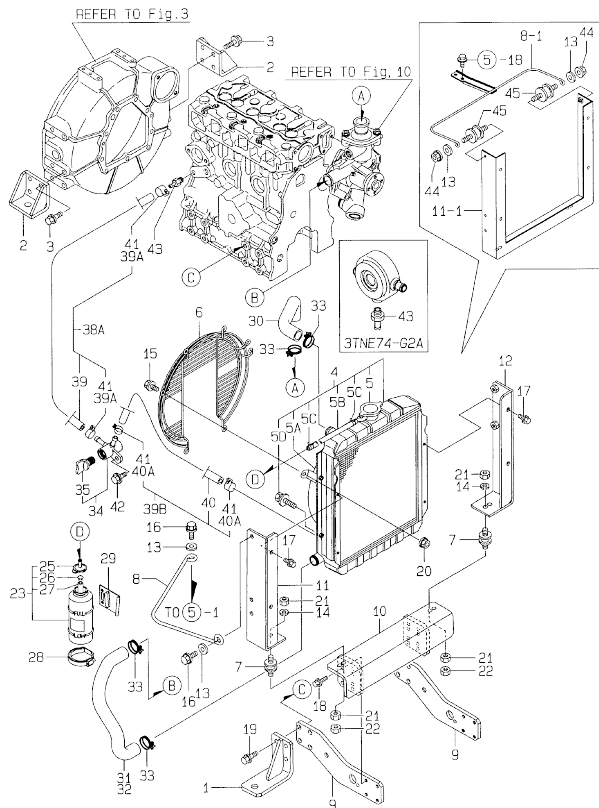


(A)=3TNE74-SA
(B)=3TNE74-G1A
(C)=3TNE74-G2A
(D)=3TNE74C-SA
(E)=3TNE74C-G1A
(F)=

No.	Lev.	Parts No.	Description	Q'ty						I	R
				(A)	(B)	(C)	(D)	(E)	(F)		
1	1	119288-08100	FOOT	2	2		2	2			
2	1	119888-08110	FOOT	2	2		2	2			
3	1	26106-100202	BOLT, M10X 20 PLATED	8	8		8	8			
4	1	119621-44500	RADIATOR	1	1	1	1	1	1		
5	2	119259-44570	CAP, RADIATOR	1	1	1	1	1	1		
5A	2	X2411365340	SHROUD	1	1	1	1	1	1		W
		(A=FROM 1ST) (B=FROM 1ST) (C=FROM 1ST) (D=FROM 1ST) (E=FROM 1ST)		1	1	1	1	1	1		W
5B	2	129132-44530	HOSE, RUBBER	1	1	1	1	1	1		W
		(A=FROM 1ST) (B=FROM 1ST) (C=FROM 1ST) (D=FROM 1ST) (E=FROM 1ST)		1	1	1	1	1	1		W
5C	2	121250-44590	CLAMP	2	2	2	2	2	2		W
		(A=FROM 1ST) (B=FROM 1ST) (C=FROM 1ST) (D=FROM 1ST) (E=FROM 1ST)		2	2	2	2	2	2		W
5D	2	26014-080162	BOLT, M8X 16	4	4	4	4	4	4		W
		(A=FROM 1ST) (B=FROM 1ST) (C=FROM 1ST) (D=FROM 1ST) (E=FROM 1ST)		4	4	4	4	4	4		W
6	1	119621-44560	GUARD	1	1	1	1	1	1		
7	1	121400-44650	ABSORBER	2	2		2	2	2		
8	1	119688-44940	RETAINER	1	1		1	1	1		N
8-1	1	119688-44941	RETAINER, RADIATOR	1	1		1	1	1		N
		(A=E36590) (B=E36948) (D=E00235) (E=E00222)		1	1		1	1	1		N
9	1	119688-44950	BRACKET	2	2		2	2	2		
10	1	119688-44961	BRACKET, RADIATOR	1	1		1	1	1		
11	1	119688-44971	SUPPORT, RADIATOR	1	1		1	1	1		
11-1	1	119688-44972	SUPPORT, RADIATOR	1	1		1	1	1		N
		(A=E36590) (B=E36948) (D=E00235) (E=E00222)		1	1		1	1	1		N
12	1	119688-44981	SUPPORT, RADIATOR	1	1		1	1	1		Z
		(A=E36590) (B=E36948) (D=E00235) (E=E00222)		1	1		1	1	1		Z
13	1	22137-080000	WASHER, 8	2	2		2	2	2		
14	1	22217-100000	WASHER, SPRING 10	2	2		2	2	2		
15	1	26106-080122	BOLT, M8X 12 PLATED	6	6	6	6	6	6		
16	1	26106-080162	BOLT, M8X 16 PLATED	2	2		2	2	2		Z
		(A=E36590) (B=E36948) (D=E00235) (E=E00222)		2	2		2	2	2		Z
17	1	26106-080202	BOLT, M8X 20 PLATED	4	4		4	4	4		
18	1	26106-080252	BOLT, M8X 25 PLATED	8	8		8	8	8		
19	1	26116-100302	BOLT, M10X 30 PLATED	8	8		8	8	8		
20	1	26366-080002	NUT, M8	6	6	6	6	6	6		
20-1	1	26306-080002	NUT, M8	6	6	6	6	6	6		N
		(A=E36590) (B=E36948) (C=E36948) (D=E36948) (E=E36948)		6	6	6	6	6	6		N
21	1	26716-100002	NUT, M10	4	4		4	4	4		
22	1	26756-100002	NUT, LOCK M10	2	2		2	2	2		
23	1	124450-44510	TANK ASSY, SUB	1	1	1	1	1	1		
25	2	124450-44530	CAP	1	1	1	1	1	1		
26	2	124450-44560	RETAINER	1	1	1	1	1	1		
27	2	23061-070230	PIPE, 7X 230	1	1	1	1	1	1		
28	1	124450-44550	BAND	1	1	1	1	1	1		
29	1	121256-44600	BRACKET, SUB TANK	1	1	1	1	1	1		
30	1	119688-49010	PIPE, WATER	1	1	1	1	1	1		
31	1	119645-49020	PIPE, WATER	1	1	1	1	1	1		
32	1	119280-49020	PIPE, WATER	1	1	1	1	1	1		
33	1	23010-038000	CLAMP, 38	4	4	4	4	4	4		
34	1	129150-49100	COCK ASSY, 3-WAY	1	1	1	1	1	1		
35	2	129150-49080	COCK, DRAIN	1	1	1	1	1	1		
36	1	129210-49250	PIPE ASSY, DRAIN	1	1	1	1	1	1		W

N:Old, New, Q:Old, New, R:Old, New, S:Old, New, W:Add, Z:Discontinued, F:Interchangeable by set, K:Qty Change
 ++ CONTINUE ++
 Copyright (C) YANMAR CO., LTD. All Rights Reserved.

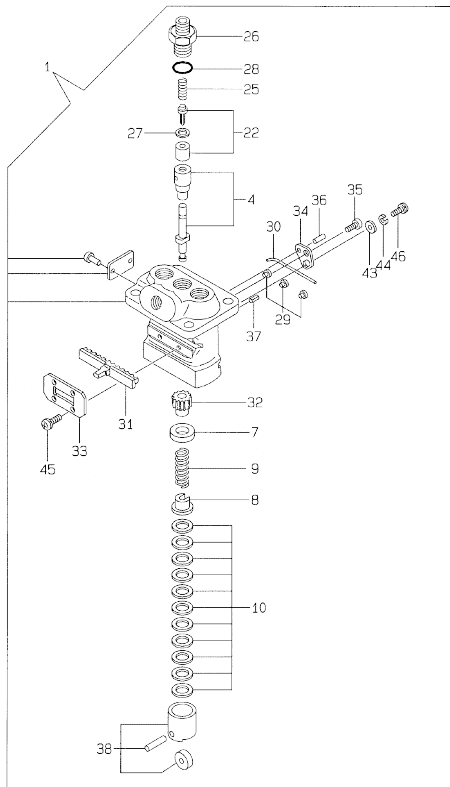
Fig.11. RADIATOR



(A)=3TNE74-SA
(B)=3TNE74-G1A
(C)=3TNE74-G2A
(D)=3TNE74C-SA
(E)=3TNE74C-G1A
(F)=

No.	Lev.	Parts No.	Description	Q'ty						I	R
				(A)	(B)	(C)	(D)	(E)	(F)		
39		(A=E000) 2 121750-49150	(B=E000) PIPE, WATER DRAIN	(D=E000)	(E=E000)						
39A		2 124766-59050	CLIP, HOSE 12								W
39B		(A=E000) 1 129210-49110	(B=E000) PIPE ASSY, DRAIN	(D=E000)	(E=E000)						W
40		2 121023-49150	PIPE, DRAIN L=165								
40A		2 124766-59050	CLIP, HOSE 12	(D=E000)	(E=E000)						W
41		1 124766-59050	CLIP, HOSE 12	(D=E000)	(E=E000)						Z
42		(A=E000) 1 26106-080162	(B=E000) BOLT, M8X 16 PLATED	(D=E000)	(E=E000)						
43		1 121550-49111	JOINT, PT1/4								
44		1 26366-060002	NUT, M6								W
45		(A=E36590) 1 127694-91050	(B=E36948) ABSORBER, SHOCK	(D=E00235)	(E=E00222)						W

Fig.12. FUEL INJECTION PUMP

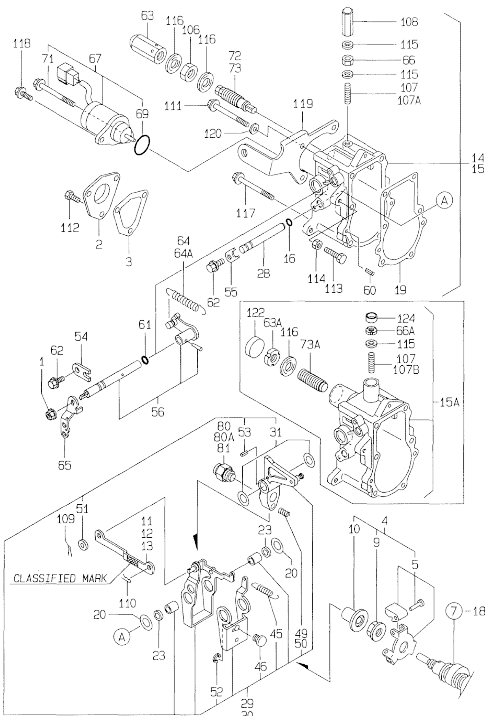


(A)=3TNE74-SA
(B)=3TNE74-G1A
(C)=3TNE74-G2A

(D)=3TNE74C-SA
(E)=3TNE74C-G1A
(F)=

No.	Lev.	Parts No.	Description	Qty						I	R
				(A)	(B)	(C)	(D)	(E)	(F)		
1	1	719621-51100	PUMP ASSY, INJECTION	1	1	1	1	1	1		
4	2	119620-51101	PLUNGER ASSY	3	3	3	3	3	3		
7	2	119620-51170	RETAINER, SPRING A	3	3	3	3	3	3		
8	2	119620-51180	RETAINER, SPRING B	3	3	3	3	3	3		
9	2	119620-51190	SPRING, PLUNGER	3	3	3	3	3	3		
10	2	119620-51250	SHIM SET	3	3	3	3	3	3		
22	2	119620-51300	VALVE ASSY, DELIVERY	3	3	3	3	3	3		
25	2	105546-51330	SPRING, DELIVERY	3	3	3	3	3	3		
26	2	119620-51340	HOLDER, DELIVERY	3	3	3	3	3	3		
27	2	119620-51350	GASKET	3	3	3	3	3	3		
28	2	119620-51370	O-RING	3	3	3	3	3	3		
29	2	119620-51450	PIECE	3	3	3	3	3	3		
30	2	119620-51461	PIN	1	1	1	1	1	1		
31	2	119660-51500	RACK, CONTROL	1	1	1	1	1	1		
32	2	119620-51510	PINION	3	3	3	3	3	3		
33	2	119660-51530	RETAINER, RACK	1	1	1	1	1	1		
34	2	119620-51650	PLATE	2	2	2	2	2	2		
35	2	119620-51660	SCREW	2	2	2	2	2	2		
36	2	119620-51670	PIN	2	2	2	2	2	2		
37	2	119620-51680	PIN	1	1	1	1	1	1		
38	2	119620-51700	TAPPET ASSY	3	3	3	3	3	3		
43	2	22137-040000	WASHER, 4	2	2	2	2	2	2		Z
		(A=E-XXX) (B=E-XXX) (C=E-XXX) (D=E-XXX) (E=E-XXX)									
44	2	22217-040000	WASHER, SPRING 4	2	2	2	2	2	2		Z
		(A=E-XXX) (B=E-XXX) (C=E-XXX) (D=E-XXX) (E=E-XXX)									
45	2	26022-040082	SCREW, M4X 8	4	4	4	4	4	4		
46	2	26587-040102	SCREW, M4X10	2	2	2	2	2	2		
46-1	2	26033-040102	SCREW, M4X10	2	2	2	2	2	2		R
		(A=E-XXX) (B=E-XXX) (C=E-XXX) (D=E-XXX) (E=E-XXX)									

Fig.13. GOVERNOR



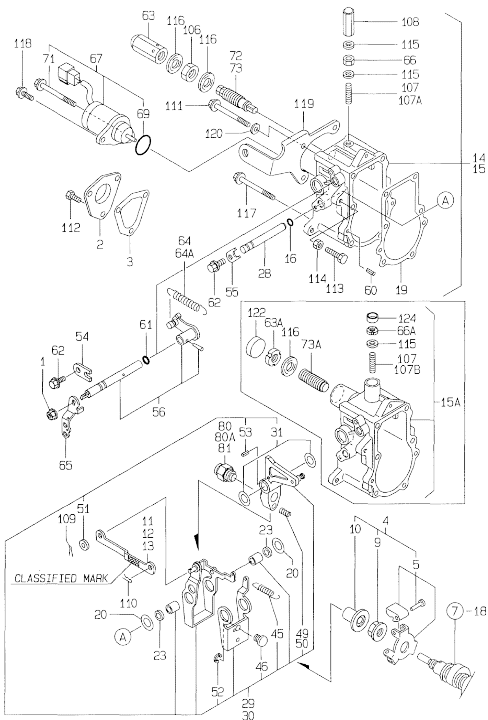
(A)=3TNE74-SA
(B)=3TNE74-G1A
(C)=3TNE74-G2A

(D)=3TNE74C-SA
(E)=3TNE74C-G1A
(F)=

No.	Lev.	Parts No.	Description	Qty						I	R
				(A)	(B)	(C)	(D)	(E)	(F)		
1	1	194990-22050	NUT, M8	1	1	1	1	1			
2	1	119660-61060	COVER, GOVERNOR CASE	1	1	1	1	1			
3	1	119660-61071	GASKET	1	1	1	1	1			
4	1	119600-61100	DRIVE ASSY	1	1	1	1	1			
5	2	119600-61200	WEIGHT ASSY, GOVERNOR	1	1	1	1	1			
9	2	119660-61300	NUT	1	1	1	1	1			
10	2	119660-61341	SLEEVE	1	1	1	1	1			
11	1	119660-61121	LINK, NO MARK	1	1	1	1	1		1	
12	1	119660-61140	LINK, MARK :2	1	1	1	1	1		1	
13	1	119660-61150	LINK, MARK :3	1	1	1	1	1		1	
14	1	119632-61200	CASE ASSY, GOVERNOR	1	1						
15	1	119288-61200	CASE ASSY, GOVERNOR			1					
15A	1	119623-61200	CASE ASSY, GOVERNOR					1	1		
16	2	129155-51280	O-RING, S6	1	1	1	1	1	1		
19	2	119660-61052	GASKET	1	1	1	1	1	1		
20	2	119660-61460	SHIM SET	1	1	1	1	1	1		
23	2	129155-61480	SPACER ASSY	2	2	2	2	2	2		
28	2	119660-61491	SHAFT	1	1	1	1	1	1		
29	2	119232-61510	LEVER ASSY, GOVERNOR	1	1			1	1		
30	2	119288-61510	LEVER ASSY, GOVERNOR					1			
31	3	174307-51700	SHIM SET	2	2	2	2	2	2		
45	3	119232-61540	SPRING	1	1	1	1	1	1		
46	3	119600-61541	SHIFTER	1	1	1	1	1	1		
49	3	119660-61651	SPRING, STARTING	1	1			1	1		
50	3	119600-61650	SPRING, STARTING					1			
51	3	22117-040000	WASHER, 4	1	1	1	1	1	1		
52	3	22272-000040	RING, E- 4	1	1	1	1	1	1		
53	3	22351-030014	PIN, SPRING 3.0X14	1	1	1	1	1	1		
54	2	119600-61900	RETAINER, SHAFT	1	1	1	1	1	1		
55	2	119660-61901	RETAINER, SHAFT	1	1	1	1	1	1		
56	2	119285-66080	SHAFT ASSY	1	1	1	1	1	1		
60	2	22351-040010	PIN, SPRING 4.0X10	2	2	2	2	2	2		
61	2	24341-000070	O-RING, 1AS7.0	1	1	1	1	1	1		
62	2	26106-060102	BOLT, M6X 10 PLATED	2	2	2	2	2	2		
63	1	129100-61930	NUT, CAP	1	1	1					
63A	1	119685-61940	NUT, M12					1	1		
64	1	119600-66020	SPRING, REGULATOR	1		1	1				
64A	1	119789-66010	SPRING, REGULATOR		1				1		
65	1	119621-66051	LEVER, REGULATOR	1	1	1	1	1	1		
66	1	124550-66370	NUT, M6	1	1	1	1				
66A	1	119685-61950	NUT, M6					1	1		
67	1	119653-66500	STOPPER ASSY	1	1	1	1	1	1		
69	2	24341-000280	O-RING, 1AS28.0	1	1	1	1	1	1		
71	2	26106-060952	BOLT, M6X 95 PLATED	1	1	1	1	1	1		
72	1	119629-66510	LIMITER ASSY, FUEL	1	1						
73	1	119600-66530	LIMITER ASSY, FUEL			1					
73A	1	119489-66500	LIMITER ASSY, FUEL					1	1		
80	1	119600-66720	ANGLEICH ASSY	1			1				
80A	1	119610-66700	ANGLEICH ASSY		1				1		
81	1	119260-66720	ANGLEICH ASSY				1	1			
106	1	26776-120002	NUT, LOCK M12	1	1	1					

Remarks
(1) SELECTIVE PARTS: CERTAIN THE CLASSIFICATION MARK, THEN PLACE YOUR ORDER(REFER TO ILLUSTRATION)
(2) REPAIR PART

Fig.13. GOVERNOR



(A)=3TNE74-SA
 (B)=3TNE74-G1A
 (C)=3TNE74-G2A
 (D)=3TNE74C-SA
 (E)=3TNE74C-G1A
 (F)=

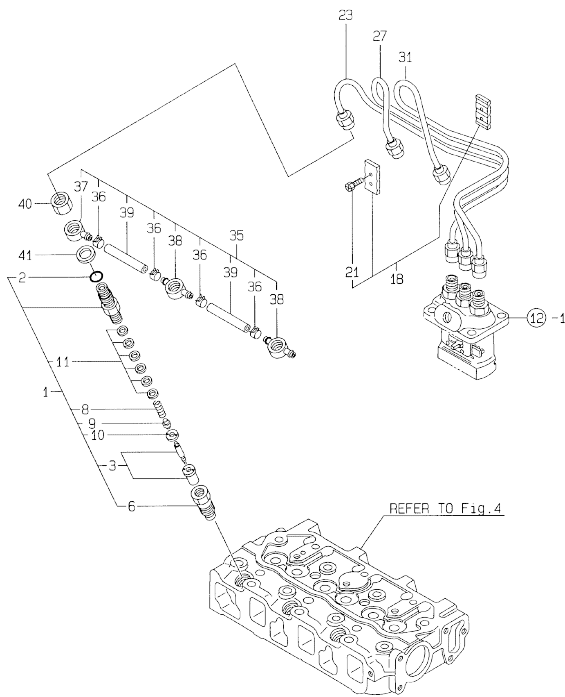
No.	Lev.	Parts No.	Description	Q'ty						I	R
				(A)	(B)	(C)	(D)	(E)	(F)		
107	1	121575-66830	SCREW	1							
107A	1	171002-66830	SCREW		1						
107B	1	119988-61460	BOLT, LIMITER					1			
108	1	119600-66840	NUT, CAP	1	1	1					
109	1	22360-040000	PIN, SNAP 4	1	1	1	1	1	1		
110	1	22360-060000	PIN, SNAP 6	1	1	1	1	1	1		
111	1	26106-060702	BOLT, M6X 70 PLATED	2	2	2	2	2	2		
112	1	26116-050102	BOLT, M5X 10 PLATED	3	3	3	3	3	3		
113	1	26116-060304	BOLT, M6X 30 PLATED	1	1	1	1	1	1		
114	1	26756-060002	NUT, LOCK M6	1	1	1	1	1	1		
115	1	22190-060003	SEAL WASER 6	2	2	2	2	1	1		
116	1	22190-120002	WASHER, SEAL 12	2	2	2	2	1	1		
117	1	26106-060752	BOLT, M6X 75 PLATED	3	3	3	3	3	3		
118	1	121465-59950	BOLT, M6X16	1	1	1	1	1	1		
119	1	119288-55900	BRACKET, FILTER	1	1	1					
119-1	1	119288-55901	BRACKET, FILTER	1	1	1	1	1	1		N
		(A=E18548)	(B=E19213)								
		(C=E18343)									
120	1	22111-060000	WASHER 6	3	3	3	3	3	3		
122	1	119621-66610	PLUG, 22					1	1		2
124	1	119621-66710	PLUG, 14					1	1		2

Remarks

- (1) SELECTIVE PARTS: CERTAIN THE CLASSIFICATION MARK, THEN PLACE YOUR ORDER(REFER TO ILLUSTRATION)
- (2) REPAIR PART

Fig.14. FUEL INJECTION VALVE

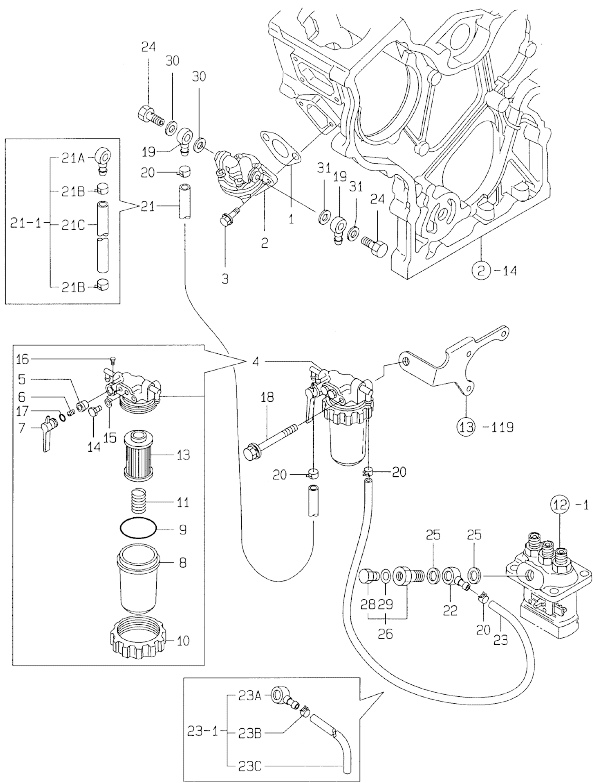
(A)=3TNE74-SA
 (B)=3TNE74-G1A
 (C)=3TNE74-G2A
 (D)=3TNE74C-SA
 (E)=3TNE74C-G1A
 (F)=



No.	Lev.	Parts No.	Description	Qty						I	R
				(A)	(B)	(C)	(D)	(E)	(F)		
1	1	719620-53700	VALVE ASSY,INJECTION	3	3	3	3	3			
2	2	129155-51580	O-RING	3		3					
2-1	2	129155-61830	O-RING, S10	3	3	3	3	3		N	
3	2	119620-53000	VALVE ASSY,INJECTION	3	3	3	3	3			
6	2	119620-53080	NUT, NOZZLE	3	3	3	3	3			
8	2	119620-53120	SPRING, NOZZLE	3	3	3	3	3			
9	2	114250-53130	SEAT, SPRING	3	3	3	3	3			
10	2	119620-53140	SPACER, VALVE STOP	3	3	3	3	3			
11	2	114250-53400	SHIM SET	3	3	3	3	3			
18	1	129150-59120	RETAINER, PIPE	1	1	1	1	1			
21	2	129150-59131	BOLT, M4X14	2	2	2	2	2			
23	1	119620-59811	PIPE ASSY, INJECTION	1	1	1	1	1			
27	1	119620-59821	PIPE ASSY, INJECTION	1	1	1	1	1			
31	1	119620-59831	PIPE ASSY, INJECTION	1	1	1	1	1			
35	1	119620-59540	PIPE ASSY, FUEL	1	1	1	1	1			
36	2	124066-59100	CLIP, HOSE 8	4	4	4	4	4			
37	2	119260-59520	JOINT	1	1	1	1	1			
38	2	119260-59530	JOINT	2	2	2	2	2			
39	2	105025-59550	PIPE, FUEL RETURN	2	2	2	2	2			
40	1	119620-59700	NUT, NOZZLE	3	3	3	3	3			
41	1	23414-140000	GASKET, 14X1.0	3	3	3	3	3			

N:Old $\frac{New}{Old}$ New, Q:Old $\frac{New}{Old}$ New, R:Old $\frac{New}{Old}$ New, S:Old $\frac{New}{Old}$ New, W:Add, Z:Discontinued, F:Interchangeable by set, K:Qty Change
 Copyright (C) YANMAR CO., LTD. All Rights Reserved.

Fig.15. FUEL FILTER



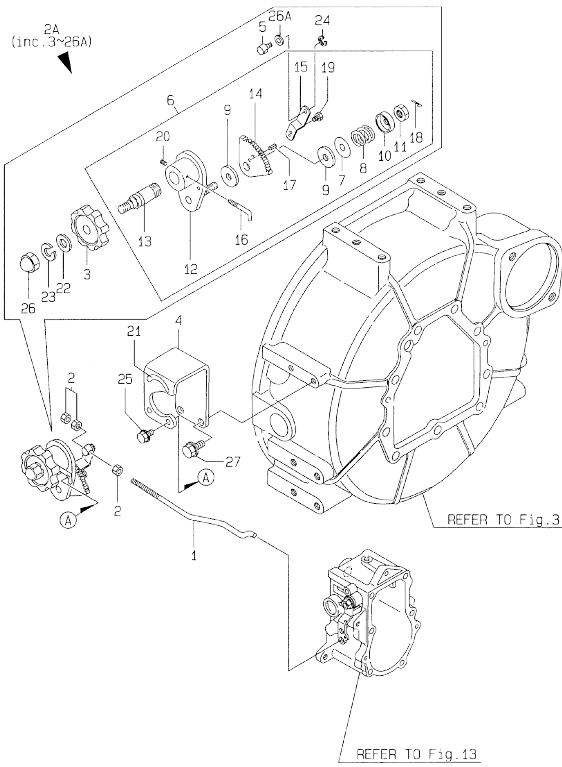
(A)=3TNE74-SA
(B)=3TNE74-G1A
(C)=3TNE74-G2A
(D)=3TNE74C-SA
(E)=3TNE74C-G1A
(F)=

No.	Lev.	Parts No.	Description	Q'ty						I	R
				(A)	(B)	(C)	(D)	(E)	(F)		
1	1	121520-01851	GASKET	1	1	1	1	1			
2	1	119600-52021	PUMP ASSY, FUEL FEED	1	1	1	1	1			
3	1	26106-060162	BOLT, M6X 16 PLATED	2	2	2	2	2			
4	1	171059-55600	FILTER ASSY, FUEL	1	1	1	1	1			
5	2	104200-55321	VALVE, TAPER	1	1	1	1	1			
6	2	104200-55330	SPRING, VALVE	1	1	1	1	1			
7	2	104200-55341	HANDLE	1	1	1	1	1			
8	2	121254-55510	COVER	1	1	1	1	1			
9	2	102103-55520	O-RING	1	1	1	1	1			
10	2	110250-55610	RING, RETAINING	1	1	1	1	1			
11	2	121250-55620	SPRING	1	1	1	1	1			
13	2	124550-55700	FILTER, FUEL L=90	1	1	1	1	1			
14	2	101720-55750	PLUG, 6	2	2	2	2	2			
15	2	23418-060000	GASKET, 6X1.0	2	2	2	2	2			
16	2	104200-55750	SCREW, M4	1	1	1	1	1			
17	2	24311-240100	O-RING, 1AP10A	1	1	1	1	1			
18	1	26014-080702	BOLT, M8X 70	1	1	1	1	1			
19	1	104264-59030	JOINT, PIPE 8	2	2	2	2	2			
19-1	1	104264-59030	JOINT, PIPE 8	1	1	1	1	1		K	
		(A=E35430) (B=E36948) (C=E35429)	(D=E00235) (E=E00216)								
20	1	124766-59050	CLIP, HOSE 12	4	4	4	4	4			
20-1	1	124766-59050	CLIP, HOSE 12	1	1	1	1	1		K	
		(A=E35430) (B=E36948) (C=E35429)	(D=E00235) (E=E00216)								
21	1	121236-59080	PIPE, FUEL D12X400	1	1	1	1	1			
21-1	1	119260-59020	PIPE ASSY, D12XL400	1	1	1	1	1		N	
		(A=E35430) (B=E36948) (C=E35429)	(D=E00235) (E=E00216)								
21A	2	104264-59030	JOINT, PIPE 8	1	1	1	1	1		W	
		(A=E35430) (B=E36948) (C=E35429)	(D=E00235) (E=E00216)								
21B	2	124766-59050	CLIP, HOSE 12	2	2	2	2	2		W	
		(A=E35430) (B=E36948) (C=E35429)	(D=E00235) (E=E00216)								
21C	2	121236-59080	PIPE, FUEL D12X400	1	1	1	1	1		W	
		(A=E35430) (B=E36948) (C=E35429)	(D=E00235) (E=E00216)								
22	1	101304-59020	JOINT, PIPE 12	1	1	1	1	1		Z	
		(A=E35430) (B=E36948) (C=E35429)	(D=E00235) (E=E00216)								
23	1	124160-59080	PIPE, FUEL D12X220	1	1	1	1	1			
23-1	1	124160-59011	PIPE ASSY, FUEL	1	1	1	1	1		N	
		(A=E35430) (B=E36948) (C=E35429)	(D=E00235) (E=E00216)								
23A	2	101304-59020	JOINT, PIPE 12	1	1	1	1	1		W	
		(A=E35430) (B=E36948) (C=E35429)	(D=E00235) (E=E00216)								
23B	2	124766-59050	CLIP, HOSE 12	1	1	1	1	1		W	
		(A=E35430) (B=E36948) (C=E35429)	(D=E00235) (E=E00216)								
23C	2	124160-59080	PIPE, FUEL D12X220	1	1	1	1	1		W	
		(A=E35430) (B=E36948) (C=E35429)	(D=E00235) (E=E00216)								
24	1	105582-59150	BOLT, PIPE JOINT	2	2	2	2	2			
25	1	104200-59170	GASKET, 12	2	2	2	2	2			
26	1	103854-59191	BOLT ASSY, JOINT M12	1	1	1	1	1			
28	2	124060-59380	PLUG, 6	1	1	1	1	1			
29	2	22190-060002	WASHER, SEAL 6	1	1	1	1	1			
30	1	22190-080002	WASHER, SEAL 6	2	2	2	2	2			
31	1	22190-080002	WASHER, SEAL 6	2	2	2	2	2			

N:Old $\frac{100}{100}$ New. Q:Old $\frac{100}{100}$ New. R:Old $\frac{100}{100}$ New. S:Old $\frac{100}{100}$ New. W:Add. Z:Discontinued. F:Interchangeable by set. K:Q'ty Change
Copyright (C) YANMAR CO., LTD. All Rights Reserved.

Fig.16. ENGINE CONTROL DEVICE

(A)=3TNE74-SA
(B)=3TNE74-G1A
(C)=3TNE74-G2A
(D)=3TNE74C-SA
(E)=3TNE74C-G1A
(F)=

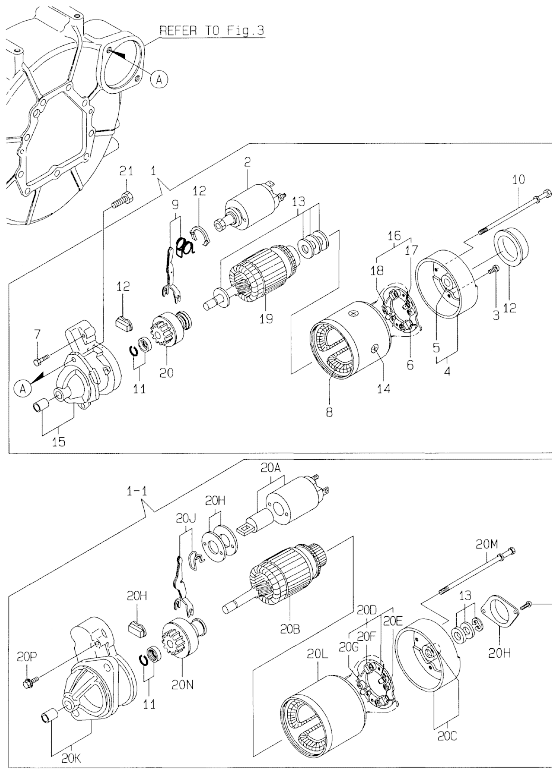


No.	Lev.	Parts No.	Description	Qty						I	R
				(A)	(B)	(C)	(D)	(E)	(F)		
1	1	119688-66120	LINK, ENGINE CONTROL	1	1	1	1	1	1		
2	1	26756-050002	NUT, LOCK M5	3	3	3	3	3	3		
2A	1	119888-66160	CONTROLLER ASSY	1	1	1	1	1	1		W
3	2	(A=E36809) 126650-66020	(B=E36948) HANDLE, REGULATOR	1	1	1	1	1	1		
4	2	119888-66110	(C=E37628) BRACKET	1	1	1	1	1	1		
5	2	119888-66130	(D=E00235) PIVOT	1	1	1	1	1	1		
6	2	171048-67010	(E=E00234) CONTROLLER ASSY	1	1	1	1	1	1		
7	3	171102-66080	WASHER	1	1	1	1	1	1		
8	3	104200-66820	SPRING	1	1	1	1	1	1		
9	3	104200-66830	PLATE, FRICTION	2	2	2	2	2	2		
10	3	104200-66850	WASHER	1	1	1	1	1	1		
11	3	104200-66860	NUT	1	1	1	1	1	1		
12	3	171085-67100	BRACKET	1	1	1	1	1	1		
13	3	171085-67110	SHAFT, DRIVE	1	1	1	1	1	1		
14	3	171085-67120	GEAR	1	1	1	1	1	1		
15	3	171048-67130	LEVER	1	1	1	1	1	1		
16	3	171048-67140	STOPPER	1	1	1	1	1	1		
17	3	22351-020006	PIN, SPRING 2.0X 6	1	1	1	1	1	1		
18	3	22411-200150	COTTER PIN	1	1	1	1	1	1		
19	3	26116-060082	BOLT, M6X 8 PLATED	1	1	1	1	1	1		
20	3	26921-050122	SCREW, M5X12	1	1	1	1	1	1		
21	2	170064-67210	LABEL, HANDLE	1	1	1	1	1	1		
22	2	22117-100000	WASHER, 10	1	1	1	1	1	1		
22-1	2	22137-100000	WASHER, 10	1	1	1	1	1	1		N
23	2	(A=E0000) 22217-100000	(B=E0000) WASHER, SPRING 10	1	1	1	1	1	1		
24	2	22272-000050	(C=E0000) RING, E- 5	1	1	1	1	1	1		
25	2	26106-060102	(D=E0000) BOLT, M6X 10 PLATED	2	2	2	2	2	2		
26	2	26657-100002	(E=E0000) NUT, CAP M10	1	1	1	1	1	1		
26A	2	22117-060000	WASHER, 6	1	1	1	1	1	1		W
27	1	(A=E0000) 26106-080162	(B=E0000) (C=E0000) (D=E0000) (E=E0000) BOLT, M8X 16 PLATED	2	2	2	2	2	2		

N:Old $\frac{New}{Old}$ New, Q:Old $\frac{New}{Old}$ New, R:Old $\frac{New}{Old}$ New, S:Old $\frac{New}{Old}$ New, W:Add, Z:Discontinued, F:Interchangeable by set, K:Qty Change
Copyright (C) YANMAR CO., LTD. All Rights Reserved.

Fig.17. STARTING MOTOR

(A)=3TNE74-SA
(B)=3TNE74-G1A
(C)=3TNE74-G2A
(D)=3TNE74C-SA
(E)=3TNE74C-G1A
(F)=

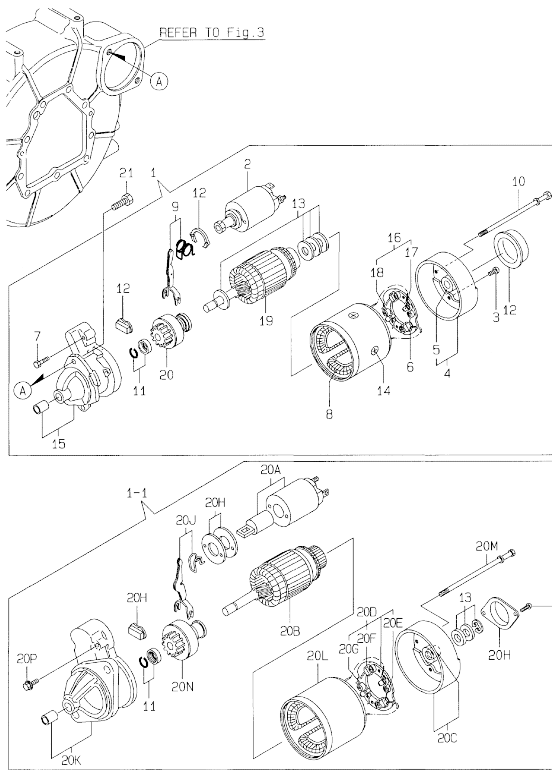


No.	Lev.	Parts No.	Description	Qty						I	R
				(A)	(B)	(C)	(D)	(E)	(F)		
1	1	119631-77010	STARTER	1	1	1					
1-1	1	119631-77011	STARTING MOTOR	1	1	1	1	1	1		R
		(A=E18548) (B=E16864) (C=E18343)									
1-2	1	119255-77010	STARTER	1	1	1	1	1	1		N 1
		(A=E26589) (B=E31094) (C=E26997) (D=E00190) (E=E00179)									
2	2	X2114275070	SWITCH, MAGNETIC	1	1	1					Z
		(A=E18548) (B=E16864) (C=E18343)									
3	2	X2114283500	SCREW SET	1	1	1					Z
		(A=E18548) (B=E16864) (C=E18343)									
4	2	X2114430010	COVER ASSY, REAR	1	1	1					Z
		(A=E18548) (B=E16864) (C=E18343)									
5	3	X2114535200	METAL, STARTER	1	1	1					Z
		(A=E18548) (B=E16864) (C=E18343)									
6	2	X2114531200	BRUSH (+)	2	2	2					Z
		(A=E18548) (B=E16864) (C=E18343)									
7	2	X2114586700	BOLT M6X 37	2	2	2					Z
		(A=E18548) (B=E16864) (C=E18343)									
8	2	X2114631090	COIL ASSY, FIELD	1	1	1					Z
		(A=E18548) (B=E16864) (C=E18343)									
9	2	X2114660130	LEVER KIT, SHIFT	1	1	1					Z
		(A=E18548) (B=E16864) (C=E18343)									
10	2	X2114680050	BOLT, THROUGH	2	2	2					Z
		(A=E18548) (B=E16864) (C=E18343)									
11	2	X2114715500	STOPPER SET, PINION	1	1	1	1	1			Z
		(A=E18548) (B=E16864) (C=E18343)									
12	2	X2114780060	COVER ASSY, DUST	1	1	1					Z
		(A=E18548) (B=E16864) (C=E18343)									
13	2	X2114811000	WASHER KIT, THRUST	1	1	1	1	1			Z
		(A=E18548) (B=E16864) (C=E18343)									
14	2	X2114821500	SCREW SET	1	1	1					Z
		(A=E18548) (B=E16864) (C=E18343)									
15	2	X2114966130	CASE ASSY, GEAR	1	1	1					Z
		(A=E18548) (B=E16864) (C=E18343)									
16	2	X2114990010	HOLDER ASSY, BRUSH	1	1	1					Z
		(A=E18548) (B=E16864) (C=E18343)									
17	3	X2114831300	BRUSH (-)	1	1	1					Z
		(A=E18548) (B=E16864) (C=E18343)									
18	3	X2114931400	SPRING, BRUSH	3	3	3					Z
		(A=E18548) (B=E16864) (C=E18343)									
19	2	124190-77110	ARMATURE ASSY	1	1	1					Z
		(A=E18548) (B=E16864) (C=E18343)									
20	2	124190-77760	PINION ASSY	1	1	1					Z
		(A=E18548) (B=E16864) (C=E18343)									
20A	2	124298-77020	SWITCH, MAGNETIC	1	1	1	1	1			W
		(A=E18548) (B=E16864) (C=E18343)									
20A-1	2	124298-77020	SWITCH, MAGNETIC	1	1	1	1	1	1		Z
		(A=E26589) (B=E31094) (C=E26997) (D=E00190) (E=E00179)									
20B	2	114371-77110	ARMATURE	1	1	1	1	1			W
		(A=E18548) (B=E16864) (C=E18343)									
20B-1	2	114371-77110	ARMATURE	1	1	1	1	1			Z
		(A=E26589) (B=E31094) (C=E26997) (D=E00190) (E=E00179)									
20C	2	114371-77140	COVER ASSY, REAR	1	1	1	1	1			W
		(A=E18548) (B=E16864) (C=E18343)									

Remarks
(1) REFER IS FIG NO.21

N:Old $\frac{New}{Old}$ New, Q:Old $\frac{New}{Old}$ New, R:Old $\frac{New}{Old}$ New, S:Old $\frac{New}{Old}$ New, W:Add, Z:Discontinued, F:Interchangeable by set, K:Qty Change
++ CONTINUE ++
Copyright (C) YANMAR CO., LTD. All Rights Reserved.

Fig.17. STARTING MOTOR



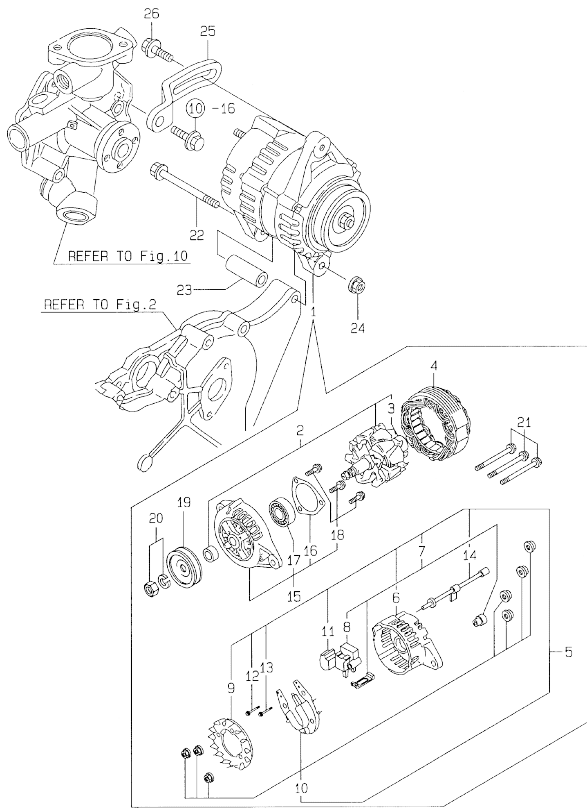
(A)=3TNE74-SA
(B)=3TNE74-G1A
(C)=3TNE74-G2A
(D)=3TNE74C-SA
(E)=3TNE74C-G1A
(F)=

No.	Lev.	Parts No.	Description	Q'ty						I	R
				(A)	(B)	(C)	(D)	(E)	(F)		
20C-1	2	114371-77140	COVER ASSY, REAR (A=E26589) (B=E31094) (C=E26997) (D=E00190)	1	1	1	1	1	1	Z	
20D	2	114371-77160	HOLDER ASSY, BRUSH (A=E18548) (B=E16864) (C=E18343)	1	1	1	1	1	1	W	
20D-1	2	114371-77160	HOLDER ASSY, BRUSH (A=E26589) (B=E31094) (C=E26997) (D=E00190)	1	1	1	1	1	1	Z	
20E	3	114371-79040	BRUSH (-) (A=E18548) (B=E16864) (C=E18343)	2	2	2	2	2	2	W	
20E-1	3	114371-79040	BRUSH (-) (A=E26589) (B=E31094) (C=E26997) (D=E00190)	2	2	2	2	2	2	Z	
20F	3	114371-79050	BRUSH (+) (A=E18548) (B=E16864) (C=E18343)	1	1	1	1	1	1	W	
20F-1	3	114371-79050	BRUSH (+) (A=E26589) (B=E31094) (C=E26997) (D=E00190)	1	1	1	1	1	1	Z	
20G	3	114371-79060	SPRING, BRUSH (A=E18548) (B=E16864) (C=E18343)	4	4	4	4	4	4	W	
20G-1	3	114371-79060	SPRING, BRUSH (A=E26589) (B=E31094) (C=E26997) (D=E00190)	4	4	4	4	4	4	Z	
20H	2	114371-77170	COVER KIT, DUST (A=E18548) (B=E16864) (C=E18343)	1	1	1	1	1	1	W	
20H-1	2	114371-77170	COVER KIT, DUST (A=E26589) (B=E31094) (C=E26997) (D=E00190)	1	1	1	1	1	1	Z	
20J	2	114371-77180	LEVER KIT, SHIFT (A=E18548) (B=E16864) (C=E18343)	1	1	1	1	1	1	W	
20J-1	2	114371-77180	LEVER KIT, SHIFT (A=E26589) (B=E31094) (C=E26997) (D=E00190)	1	1	1	1	1	1	Z	
20K	2	119631-77651	CASE ASSY, GEAR (A=E18548) (B=E16864) (C=E18343)	1	1	1	1	1	1	W	
20K-1	2	119631-77651	CASE ASSY, GEAR (A=E26589) (B=E31094) (C=E26997) (D=E00190)	1	1	1	1	1	1	Z	
20L	2	124097-77710	YOKE ASSY (A=E18548) (B=E16864) (C=E18343)	1	1	1	1	1	1	W	
20L-1	2	124097-77710	YOKE ASSY (A=E26589) (B=E31094) (C=E26997) (D=E00190)	1	1	1	1	1	1	Z	
20M	2	124195-77770	THROUGH BOLT (A=E18548) (B=E16864) (C=E18343)	2	2	2	2	2	2	W	
20M-1	2	124195-77770	THROUGH BOLT (A=E26589) (B=E31094) (C=E26997) (D=E00190)	2	2	2	2	2	2	Z	
20N	2	119631-77780	PINION ASSY (A=E18548) (B=E16864) (C=E18343)	1	1	1	1	1	1	W	
20N-1	2	119631-77780	PINION ASSY (A=E26589) (B=E31094) (C=E26997) (D=E00190)	1	1	1	1	1	1	Z	
20P	2	114371-79070	BOLT M 6X 37 (A=E18548) (B=E16864) (C=E18343)	2	2	2	2	2	2	W	
20P-1	2	114371-79070	BOLT M 6X 37 (A=E26589) (B=E31094) (C=E26997) (D=E00190)	2	2	2	2	2	2	Z	
21	1	26116-120252	BOLT, M12X 25 PLATED	2	2	2	2	2	2		

Remarks
(1) REFER IS FIG NO.21

N:Old $\frac{100}{100}$ New, Q:Old $\frac{100}{100}$ New, R:Old $\frac{100}{100}$ New, S:Old $\frac{100}{100}$ New, W:Add, Z:Discontinued, F:Interchangeable by set, K:Q'ty Change
Copyright (C) YANMAR CO., LTD. All Rights Reserved.

Fig.18. GENERATOR

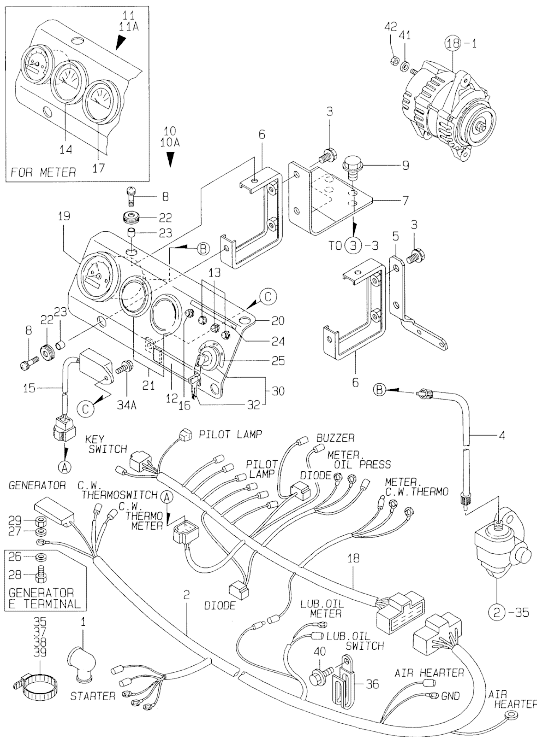


(A)=3TNE74-SA
(B)=3TNE74-G1A
(C)=3TNE74-G2A

(D)=3TNE74C-SA
(E)=3TNE74C-G1A
(F)=

No.	Lev.	Parts No.	Description	Qty						I	R
				(A)	(B)	(C)	(D)	(E)	(F)		
1	1	119836-77200	GENERATOR	1	1	1	1	1	1		
2	2	119836-77700	ROTOR ASSY	1	1	1	1	1	1		
3	3	119836-77850	BALL BEARING	1	1	1	1	1	1		
4	2	119836-77710	STATOR ASSY	1	1	1	1	1	1		
5	2	119836-77721	COVER ASSY, REAR	1	1	1	1	1	1		
6	3	119836-77730	COVER, REAR	1	1	1	1	1	1		
7	3	119836-77741	BRUSH ASSY,REGULATOR	1	1	1	1	1	1		
8	4	119836-77750	BRUSH ASSY	1	1	1	1	1	1		
9	3	119836-77760	GUIDE, FAN SIDE	1	1	1	1	1	1		
10	3	119836-77770	DIODE ASSY	1	1	1	1	1	1		
11	3	119836-77780	CONDENSER	1	1	1	1	1	1		
12	3	119836-77871	BOLT (1)	1	1	1	1	1	1		
13	3	119836-77880	BOLT (2)	1	1	1	1	1	1		
14	3	119836-77890	WIRE ASSY, LEAD	1	1	1	1	1	1		
15	2	119836-77790	COVER ASSY, FRONT	1	1	1	1	1	1		
16	3	119836-77800	RETAINER, BEARING	1	1	1	1	1	1		
17	3	119836-77840	BALL BEARING	1	1	1	1	1	1		
18	3	119836-77860	SCREW KID	1	1	1	1	1	1		
19	2	119836-77810	PULLEY	1	1	1	1	1	1		
20	2	119836-77820	NUT ASSY, PULLEY	1	1	1	1	1	1		
21	2	119836-77830	BOLT, THROUGH	1	1	1	1	1	1		
22	1	26106-081052	BOLT, M8X105 PLATED	1	1	1	1	1	1		
23	1	119621-77340	PIECE, DISTANCE	1	1	1	1	1	1		
24	1	26366-080002	NUT, M8	1	1	1	1	1	1		
25	1	119621-77331	ADJUSTER	1	1	1	1	1	1		
26	1	26106-080182	BOLT, M8X 18 PLATED	1	1	1	1	1	1		

Fig.19. PANEL



(A)=3TNE74-SA
(B)=3TNE74-G1A
(C)=3TNE74-G2A
(D)=3TNE74C-SA
(E)=3TNE74C-G1A
(F)=

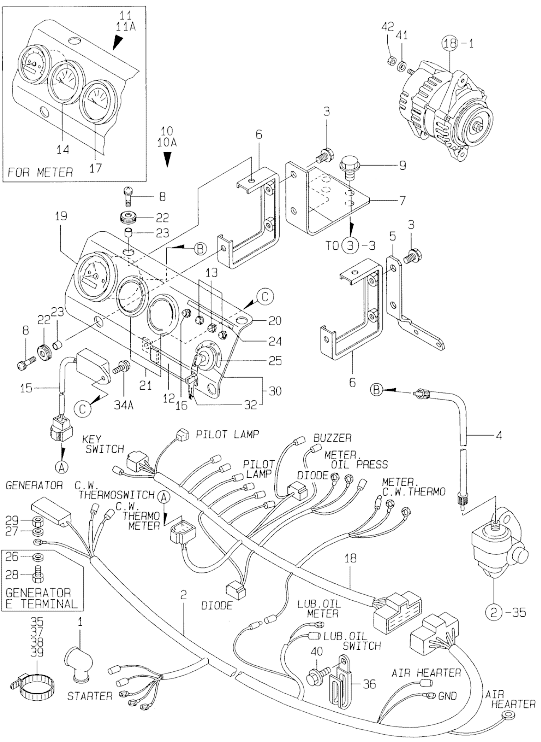
No.	Lev.	Parts No.	Description	Q'ty						I	R
				(A)	(B)	(C)	(D)	(E)	(F)		
1	1	124550-77030	COVER, TERMINAL	1	1	1	1	1			
2	1	119888-91021	HARNESS (A), WIRE	1		1					
2-1	1	119888-91022	HARNESS, WIRE	1	1	1	1	1		N	
3	1	26106-080122	BOLT, M8X 12 PLATED	4	4	4	4	4			
4	1	124701-91140	CABLE, L=985	1	1	1	1	1			
5	1	119288-91140	SUPPORT	1	1	1	1	1			
6	1	119888-91120	SUPPORT	2	2	2	2	2			
7	1	119288-91130	BRACKET, PANEL	1	1	1	1	1			
8	1	26033-060202	SCREW M 6X 20	4	4	4	4	4			
9	1	26106-100502	BOLT, M10X 50 PLATED	2	2	2	2	2			
10	1	119888-91101	PANEL ASSY	1		1	1				
10A	1	119888-91301	PANEL ASSY, INSTRUM		1			1			
11	1	119888-91201	PANEL ASSY	1		1	1			1	
11A	1	119888-91311	PANEL ASSY		1			1		1	
12	2	104507-07190	LABEL, YANMAR	1	1	1	1	1			
13	2	124732-77720	LAMP, CHARGING	3	3	3	3	3			
14	2	171010-77850	THERMOSTAT	1	1	1	1	1		1	
15	2	128300-77920	TIMER	1	1	1	1	1			
16	2	124559-77971	LAMP, PILOT	1	1	1	1	1			
17	2	171090-91010	GAUGE	1	1	1	1	1		1	
18	2	119888-91031	HARNESS, WIRE	1	1	1	1	1			
19	2	171080-91100	TACHOMETER	1	1	1	1	1			
20	2	119888-91110	BODY, PANEL	1	1	1	1	1			
21	2	124770-91220	COVER	2	2	2	2	2			
22	2	121400-91520	ABSORBER	4	4	4	4	4			
23	2	121400-91530	SPACER	4	4	4	4	4			
24	2	119888-91610	LABEL, CW & OIL LAMP	1	1	1	1	1			
25	2	119888-91620	LABEL, KEY SWITCH	1	1	1	1	1			
26	2	22117-050000	WASHER, 5	1	1	1				Z	
27	2	22117-050000	WASHER, 5	1	1	1				Z	
28	2	26116-050102	BOLT, MSX 10 PLATED	1	1	1				Z	
29	2	26716-050002	NUT, M5	1	1	1				Z	
30	2	933110-00100	SWITCH ASSY, STARTER	1	1	1	1	1			
32	3	933110-00301	KEY ASSY	1	1	1	1	1			
34A	2	26106-060102	BOLT, M6X 10 PLATED	1	1	1	1	1		W	
35	1	121750-59890	BAND, 140	1	1	1	1	1			
36	1	194180-51640	CLAMP, HARNESS	1	1	1	1	1			
37	1	121750-59890	BAND, 140			1					
38	1	121750-59890	BAND, 140	1	1		1	1			
39	1	121750-59890	BAND, 140	1	1		1	1			
40	1	26106-100122	BOLT, M10X 12 PLATED	1	1	1	1	1		W	
41	1	22117-050000	WASHER, 5	1	1	1	1	1		W	
42	1	26716-050002	NUT, M5	1	1	1	1	1		W	

Remarks
(1) WITH C.W.THERMOMETER(REF.NO.14,
P/# 171010-77850) & PRESSURE
GAUGE(REF.NO.17,P/# 171090-91010).

OCR10-M45201

Fig.19. PANEL

OCR10-M45201 Fig.19



(A)=3TNE74-SA
(B)=3TNE74-G1A
(C)=3TNE74-G2A

(D)=3TNE74C-SA
(E)=3TNE74C-G1A
(F)=

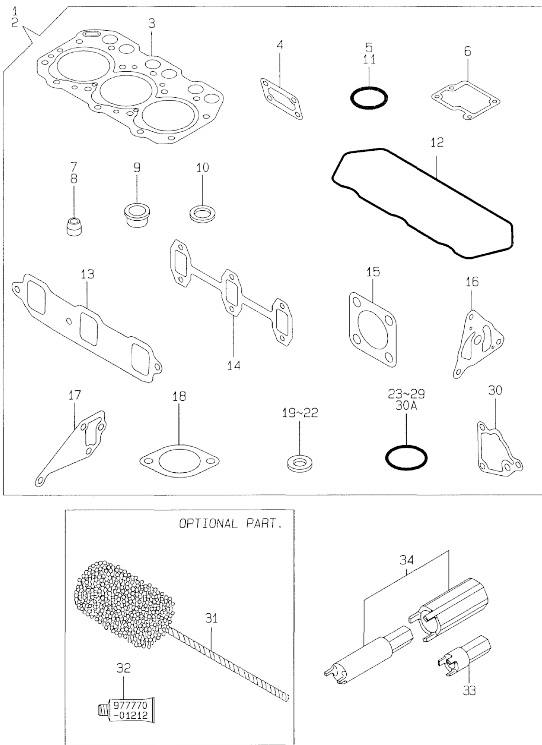
No.	Lev.	Parts No.	Description	Q'ty						I	R	
				(A)	(B)	(C)	(D)	(E)	(F)			
		(A=EXXX)	(B=EXXX)	(C=EXXX)								

Remarks
(1) WITH C.W.THERMOMETER(REF.NO.14,
P/# 171010-77850) & PRESSURE
GAUGE(REF.NO.17,P/# 171090-91010).

N:Old $\frac{100}{100}$ New, Q:Old $\frac{100}{100}$ New, R:Old $\frac{100}{100}$ New, S:Old $\frac{100}{100}$ New, W:Add, Z:Discontinued, F:Interchangeable by set, K:Q'ty Change
Copyright (C) YANMAR CO., LTD. All Rights Reserved.

Fig.20. GASKET SET

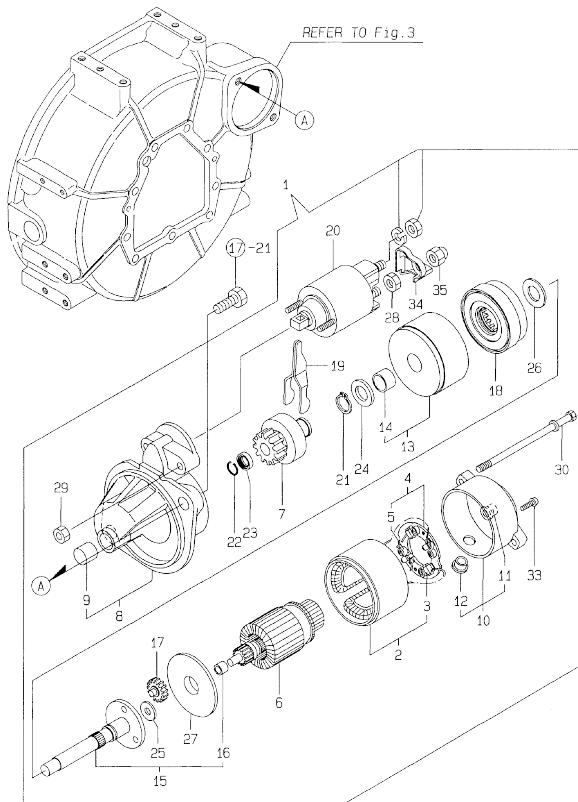
(A)=3TNE74-SA
(B)=3TNE74-G1A
(C)=3TNE74-G2A
(D)=3TNE74C-SA
(E)=3TNE74C-G1A
(F)=



No.	Lev.	Parts No.	Description	Qty						I	R
				(A)	(B)	(C)	(D)	(E)	(F)		
1	1	719623-92610	GASKET SET								1
2	1	719623-92620	GASKET SET								1
3	2	119623-01330	GASKET, HEAD	1	1	1	1	1	1		
4	2	119660-01562	GASKET	1	1	1	1	1	1		
5	2	24311-000320	O-RING, 1AP32.0	1	1	1	1	1	1		
6	2	119620-03031	GASKET	1	1	1	1	1	1		
7	2	124950-11340	SEAL, VALVE STEM	3	3	3	3	3	3		
8	2	124160-11340	SEAL, VALVE STEM	3	3	3	3	3	3		
9	2	119600-11450	PROTECTOR, NOZZLE	3	3	3	3	3	3		
10	2	119600-11460	GASKET, NOZZLE	6	6	6	6	6	6		
11	2	24311-000320	O-RING, 1AP32.0	1							
12	2	119620-11310	GASKET, BONNET	1	1	1	1	1	1		
13	2	119660-12111	GASKET, MANIFOLD	1	1	1	1	1	1		
14	2	119620-13110	GASKET	1	1	1	1	1	1		
15	2	121000-13201	GASKET, SILENCER	2	2	2	2	2	2		
16	2	119660-32020	GASKET, PUMP	1	1	1	1	1	1		
17	2	119620-42020	GASKET, WATER PUMP	1	1	1	1	1	1		
18	2	129350-49541	GASKET	1	1	1	1	1	1		
19	2	124465-44950	GASKET, 16	2	2	2	2	2	2		
20	2	104200-59170	GASKET, 12	2	2	2	2	2	2		
21	2	23414-140000	GASKET, 14X1.0	3	3	3	3	3	3		
22	2	22190-080002	WASHER, SEAL 6	4	4	4	4	4	4		
23	2	24311-000120	O-RING, 1AP12.0	4	4	4	4	4	4		
23-1	2	24311-000120	O-RING, 1AP12.0	2	2	2	2	2	2		K
24		(A=E61629) (B=E61596) (C=E61671) (D=E00240) (E=E61811)	O-RING	3							
24-1	1	129155-61830	O-RING, S10	3	3	3	3	3	3		N
25	2	24341-000240	O-RING, 1AS24.0	1	1	1	1	1	1		
26	2	24311-000160	O-RING, 1AP16.0	1	1	1	1	1	1		
27	2	24311-000120	O-RING, 1AP12.0	1	1	1	1	1	1		
27-1	2	24311-000110	O-RING, 1AP11.0	1	1	1	1	1	1		R
27-2	2	119209-35030	O-RING, P11	1	1	1	1	1	1		R
28	2	24321-000600	O-RING, 1AG60.0								
29	2	24321-000700	O-RING, 1AG70.0								
30	2	119660-35113	GASKET	1	1	1	1	1	1		
30A	2	119624-32040	O-RING, P12.0	2	2	2	2	2	2		W
31	1	129400-92410	FLEX HORN	1	1	1	1	1	1		1
32	1	977770-01212	GASKET, LIQUID	1	1	1	1	1	1		1
33	1	119621-99100	TOOL, CARB IDLE								1
34	1	119621-99400	BOX, TOOL								1

Remarks
(1) OPTIONAL PART.

Fig.21. STARTING MOTOR(INNER PARTS)

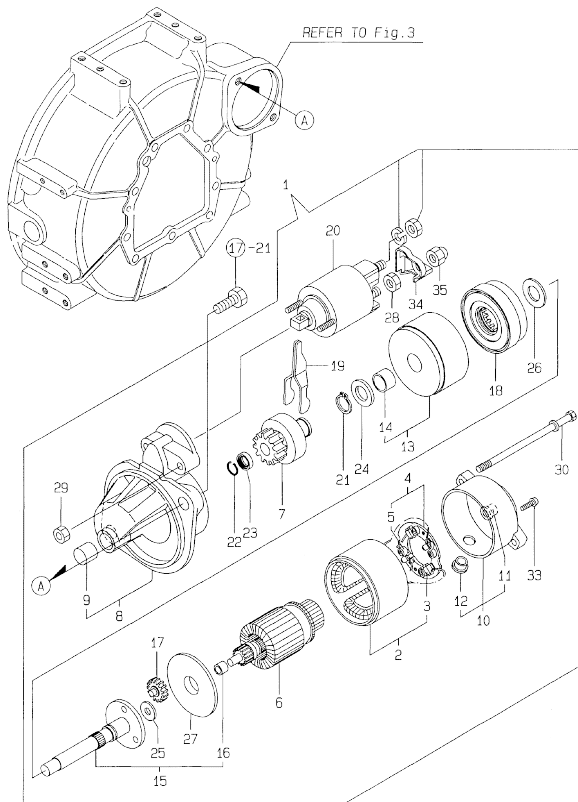


(A)=3TNE74-SA
(B)=3TNE74-G1A
(C)=3TNE74-G2A
(D)=3TNE74C-SA
(E)=3TNE74C-G1A
(F)=

No.	Lev.	Parts No.	Description	Q'ty						I	R
				(A)	(B)	(C)	(D)	(E)	(F)		
1	1	119255-77010	STARTER	1	1	1	1	1	1	W	
		(A=E26589)	(B=E31094)	(C=E26997)	(D=E00190)	(E=E00179)					
2	2	X0281007680	YOKE ASSY	1	1	1	1	1	1	W	
3	3	X0280996180	STARTER KIT	2	2	2	2	2	2	W	
		(A=E26589)	(B=E31094)	(C=E26997)	(D=E00190)	(E=E00179)					
4	2	X0285105190	HOLDER ASSY	1	1	1	1	1	1	W	
		(A=E26589)	(B=E31094)	(C=E26997)	(D=E00190)	(E=E00179)					
5	3	X0285205030	SPRING	4	4	4	4	4	4	W	
		(A=E26589)	(B=E31094)	(C=E26997)	(D=E00190)	(E=E00179)					
6	2	X0282005871	ARMATURE ASSY	1	1	1	1	1	1	W	
		(A=E26589)	(B=E31094)	(C=E26997)	(D=E00190)	(E=E00179)					
7	2	X0283006960	CLUTCH ASSY	1	1	1	1	1	1	W	
		(A=E26589)	(B=E31094)	(C=E26997)	(D=E00190)	(E=E00179)					
8	2	X2284005750	HOUSING ASSY	1	1	1	1	1	1	W	
		(A=E26589)	(B=E31094)	(C=E26997)	(D=E00190)	(E=E00179)					
9	3	X9491050100	BEARING, NEEDLE	1	1	1	1	1	1	W	
		(A=E26589)	(B=E31094)	(C=E26997)	(D=E00190)	(E=E00179)					
10	2	X0285005770	FRAME ASSY	1	1	1	1	1	1	W	
		(A=E26589)	(B=E31094)	(C=E26997)	(D=E00190)	(E=E00179)					
11	3	X9491040990	BEARING	1	1	1	1	1	1	W	
		(A=E26589)	(B=E31094)	(C=E26997)	(D=E00190)	(E=E00179)					
12	3	X0280626010	COVER	1	1	1	1	1	1	W	
		(A=E26589)	(B=E31094)	(C=E26997)	(D=E00190)	(E=E00179)					
13	2	X0284105010	BEARING ASSY	1	1	1	1	1	1	W	
		(A=E26589)	(B=E31094)	(C=E26997)	(D=E00190)	(E=E00179)					
14	3	X9491034330	BEARING	1	1	1	1	1	1	W	
		(A=E26589)	(B=E31094)	(C=E26997)	(D=E00190)	(E=E00179)					
15	2	X0286105010	SHAFT ASSY	1	1	1	1	1	1	W	
		(A=E26589)	(B=E31094)	(C=E26997)	(D=E00190)	(E=E00179)					
16	3	X9491034320	BEARING	1	1	1	1	1	1	W	
		(A=E26589)	(B=E31094)	(C=E26997)	(D=E00190)	(E=E00179)					
17	2	X0286305010	GEAR	3	3	3	3	3	3	W	
		(A=E26589)	(B=E31094)	(C=E26997)	(D=E00190)	(E=E00179)					
18	2	X0286355010	GEAR	1	1	1	1	1	1	W	
		(A=E26589)	(B=E31094)	(C=E26997)	(D=E00190)	(E=E00179)					
19	2	X0287405140	LEVER	1	1	1	1	1	1	W	
		(A=E26589)	(B=E31094)	(C=E26997)	(D=E00190)	(E=E00179)					
20	2	X0534007800	SWITCH ASSY	1	1	1	1	1	1	W	
		(A=E26589)	(B=E31094)	(C=E26997)	(D=E00190)	(E=E00179)					
21	2	X9055715000	RING	1	1	1	1	1	1	W	
		(A=E26589)	(B=E31094)	(C=E26997)	(D=E00190)	(E=E00179)					
22	2	X9490721360	RING	1	1	1	1	1	1	W	
		(A=E26589)	(B=E31094)	(C=E26997)	(D=E00190)	(E=E00179)					
23	2	X0280210331	NUT	1	1	1	1	1	1	W	
		(A=E26589)	(B=E31094)	(C=E26997)	(D=E00190)	(E=E00179)					
24	2	X9490138110	WASHER	1	1	1	1	1	1	W	
		(A=E26589)	(B=E31094)	(C=E26997)	(D=E00190)	(E=E00179)					
25	2	X9490138090	WASHER	1	1	1	1	1	1	W	
		(A=E26589)	(B=E31094)	(C=E26997)	(D=E00190)	(E=E00179)					
26	2	X9490138100	WASHER	1	1	1	1	1	1	W	
		(A=E26589)	(B=E31094)	(C=E26997)	(D=E00190)	(E=E00179)					

N:Old $\frac{New}{Old}$ New, Q:Old $\frac{New}{Old}$ New, R:Old $\frac{New}{Old}$ New, S:Old $\frac{New}{Old}$ New, W:Add, Z:Discontinued, F:Interchangeable by set, K:Q'ty Change
 ++ CONTINUE ++
 Copyright (C) YANMAR CO., LTD. All Rights Reserved.

Fig.21. STARTING MOTOR(INNER PARTS)

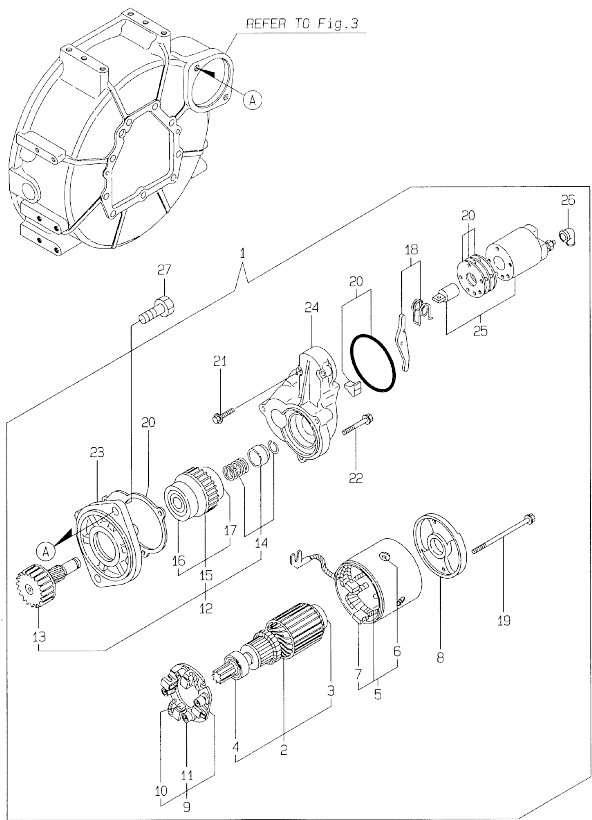


(A)=3TNE74-SA
(B)=3TNE74-G1A
(C)=3TNE74-G2A

(D)=3TNE74C-SA
(E)=3TNE74C-G1A
(F)=

No.	Lev.	Parts No.	Description	Q'ty						I	R
				(A)	(B)	(C)	(D)	(E)	(F)		
27	2	X0284525010	PLATE	1	1	1	1	1	1	W	
		(A=E26589) (B=E31094) (C=E26997) (D=E00190) (E=E00179)									
28	2	X9490562360	NUT	1	1	1	1	1	1	W	
		(A=E26589) (B=E31094) (C=E26997) (D=E00190) (E=E00179)									
29	2	X9490560750	NUT	2	2	2	2	2	2	W	
		(A=E26589) (B=E31094) (C=E26997) (D=E00190) (E=E00179)									
30	2	X9490423520	BOLT, THROUGH	2	2	2	2	2	2	W	
		(A=E26589) (B=E31094) (C=E26997) (D=E00190) (E=E00179)									
33	2	X9490065670	SCREW, M4X6	2	2	2	2	2	2	W	
		(A=E26589) (B=E31094) (C=E26997) (D=E00190) (E=E00179)									
34	2	X0280335360	COVER, TERMINAL	1	1	1	1	1	1	W	
		(A=E26589) (B=E31094) (C=E26997) (D=E00190) (E=E00179)									
35	2	X1289510130	NUT	1	1	1	1	1	1	W	
		(A=E26589) (B=E31094) (C=E26997) (D=E00190) (E=E00179)									

Fig.22. STARTING MOTOR(COLD DISTRICT)



(A)=3TNE74-SA
(B)=3TNE74-G1A
(C)=3TNE74-G2A

(D)=3TNE74C-SA
(E)=3TNE74C-G1A
(F)=

No.	Lev.	Parts No.	Description	Q'ty						I	R
				(A)	(B)	(C)	(D)	(E)	(F)		
1	1	119256-77010	MOTOR ASSY, STARTING	1	1	1	1	1	1	W	
		(A=E26589)	(B=E31094)	(C=E26997)	(D=E00190)	(E=E00179)					
2	2	X211461005	ARMATURE	1	1	1	1	1	1	W	
		(A=E26589)	(B=E31094)	(C=E26997)	(D=E00190)	(E=E00179)					
3	3	X213035090	BALL BEARING	1	1	1	1	1	1	W	
		(A=E26589)	(B=E31094)	(C=E26997)	(D=E00190)	(E=E00179)					
4	3	X211425511	BALL BEARING	1	1	1	1	1	1	W	
		(A=E26589)	(B=E31094)	(C=E26997)	(D=E00190)	(E=E00179)					
5	2	X211442003	COIL ASSY, FIELD	1	1	1	1	1	1	W	
		(A=E26589)	(B=E31094)	(C=E26997)	(D=E00190)	(E=E00179)					
6	3	X21143215	SCREW, CORE	4	4	4	4	4	4	W	
		(A=E26589)	(B=E31094)	(C=E26997)	(D=E00190)	(E=E00179)					
7	3	X211469002	BRUSH (+)	2	2	2	2	2	2	W	
		(A=E26589)	(B=E31094)	(C=E26997)	(D=E00190)	(E=E00179)					
8	2	X211483003	COVER	1	1	1	1	1	1	W	
		(A=E26589)	(B=E31094)	(C=E26997)	(D=E00190)	(E=E00179)					
9	2	X211439001	HOLDER ASSY, BRUSH	1	1	1	1	1	1	W	
		(A=E26589)	(B=E31094)	(C=E26997)	(D=E00190)	(E=E00179)					
10	3	X211459002	BRUSH (-)	2	2	2	2	2	2	W	
		(A=E26589)	(B=E31094)	(C=E26997)	(D=E00190)	(E=E00179)					
11	3	X21148314	SPRING, BRUSH	4	4	4	4	4	4	W	
		(A=E26589)	(B=E31094)	(C=E26997)	(D=E00190)	(E=E00179)					
12	2	X211465505	CLUTCH ASSY, PINION	1	1	1	1	1	1	W	
		(A=E26589)	(B=E31094)	(C=E26997)	(D=E00190)	(E=E00179)					
13	3	X211465504	SHAFT, PINION	1	1	1	1	1	1	W	
		(A=E26589)	(B=E31094)	(C=E26997)	(D=E00190)	(E=E00179)					
14	3	X211429006	STOPPER SET	1	1	1	1	1	1	W	
		(A=E26589)	(B=E31094)	(C=E26997)	(D=E00190)	(E=E00179)					
15	3	X211455500	CLUTCH ASSY	1	1	1	1	1	1	W	
		(A=E26589)	(B=E31094)	(C=E26997)	(D=E00190)	(E=E00179)					
16	4	X211495502	BEARING, BALL	1	1	1	1	1	1	W	
		(A=E26589)	(B=E31094)	(C=E26997)	(D=E00190)	(E=E00179)					
17	4	X224041010	BEARING, BALL	1	1	1	1	1	1	W	
		(A=E26589)	(B=E31094)	(C=E26997)	(D=E00190)	(E=E00179)					
18	2	X211476012	LEVER	1	1	1	1	1	1	W	
		(A=E26589)	(B=E31094)	(C=E26997)	(D=E00190)	(E=E00179)					
19	2	X211468005	BOLT, THROUGH	2	2	2	2	2	2	W	
		(A=E26589)	(B=E31094)	(C=E26997)	(D=E00190)	(E=E00179)					
20	2	171008-77571	COVER KIT, DUST	1	1	1	1	1	1	W	
		(A=E26589)	(B=E31094)	(C=E26997)	(D=E00190)	(E=E00179)					
21	2	X21145866	BOLT	2	2	2	2	2	2	W	
		(A=E26589)	(B=E31094)	(C=E26997)	(D=E00190)	(E=E00179)					
22	2	X21142867	BOLT	3	3	3	3	3	3	W	
		(A=E26589)	(B=E31094)	(C=E26997)	(D=E00190)	(E=E00179)					
23	2	X2114765040	CASE ASSY, GEAR	1	1	1	1	1	1	W	
		(A=E26589)	(B=E31094)	(C=E26997)	(D=E00190)	(E=E00179)					
24	2	X2114145010	CENTER HOUSING	1	1	1	1	1	1	W	
		(A=E26589)	(B=E31094)	(C=E26997)	(D=E00190)	(E=E00179)					
25	2	171008-77531	MAGNETIC SWITCH ASSY	1	1	1	1	1	1	W	
		(A=E26589)	(B=E31094)	(C=E26997)	(D=E00190)	(E=E00179)					
26	2	X21142742	COVER (A), RUBBER	1	1	1	1	1	1	W	
		(A=E26589)	(B=E31094)	(C=E26997)	(D=E00190)	(E=E00179)					

N:Old $\frac{New}{Old}$ New, Q:Old $\frac{New}{Old}$ New, R:Old $\frac{New}{Old}$ New, S:Old $\frac{New}{Old}$ New, W:Add, Z:Discontinued, F:Interchangeable by set, K:Q'ty Change
 ++ CONTINUE ++
 Copyright (C) YANMAR CO., LTD. All Rights Reserved.

Parts No. Index

Parts No.	Fig. No.	Ref. No.	Parts No.	Fig. No.	Ref. No.	Parts No.	Fig. No.	Ref. No.	Parts No.	Fig. No.	Ref. No.
101304-59020	15	22	119131-18320	6	27 -1	119600-66840	13	108	119620-51300	12	22
		23 A	119209-35030	9	32 -2	119610-01490	2	14	119620-51340	12	26
101720-55750	15	14		20	27 -2	119610-01590	2	1	119620-51350	12	27
102103-55520	15	9	119232-61510	13	29	119610-66700	13	80 A	119620-51370	12	28
103854-59191	15	26	119232-61540	13	45	119620-01200	1	23	119620-51450	12	29
104200-55321	15	5	119255-77010	17	1 -2	119620-01620	3	9	119620-51461	12	30
104200-55330	15	6		21	1	119620-01750	3	7	119620-51510	12	32
104200-55341	15	7	119256-77010	22	1	119620-01800	2	4	119620-51650	12	34
104200-55750	15	16	119259-44570	11	5	119620-02020	1	6	119620-51660	12	35
104200-59170	15	25	119260-07900	4	2	119620-02410	1	21	119620-51670	12	36
	20	20	119260-59020	15	21 -1	119620-02450	7	4	119620-51680	12	37
104200-66820	16	8	119260-59520	14	37	119620-03020	4	51	119620-51700	12	38
104200-66830	16	9	119260-59530	14	38	119620-03031	4	52	119620-53000	14	3
104200-66850	16	10	119260-66720	13	81		20	6	119620-53080	14	6
104200-66860	16	11	119265-44400	9	41	119620-11110	4	21	119620-53120	14	8
104211-11370	4	27	119280-01600	3	2	119620-11120	4	22	119620-53140	14	10
104264-59030	15	19	119280-49020	11	32	119620-11180	4	23	119620-59540	14	35
		19 -1	119285-66080	13	56	119620-11200	4	31	119620-59700	14	40
		21 A	119288-08100	11	1	119620-11240	4	32	119620-59811	14	23
104507-07190	19	12	119288-55900	13	119	119620-11260	4	35	119620-59821	14	27
105010-11230	4	38	119288-55901	13	119 -1	119620-11280	4	36	119620-59831	14	31
		42	119288-61200	13	15	119620-11310	4	55	119620-77820	4	64
105025-59550	14	39	119288-61510	13	30		20	12	119621-01611	3	4
105225-23200	8	39	119288-91130	19	7	119620-11330	4	50	119621-21680	8	9
105546-51330	12	25	119288-91140	19	5	119620-11350	4	47	119621-44500	11	4
105582-59150	15	24	119305-35150	9	18	119620-11390	4	56	119621-44560	11	6
110250-55610	15	10	119358-13640	6	16	119620-11801	4	12	119621-66051	13	65
114250-53130	14	9	119489-66500	13	73 A	119620-13110	6	2	119621-66610	13	122
114250-53400	14	11	119600-01050	1	5		20	14	119621-66710	13	124
114350-22301	8	32	119600-01600	3	3	119620-13501	6	11	119621-77331	18	25
114371-77110	17	20 B	119600-01722	3	14	119620-13510	6	12	119621-77340	18	23
		20 B-1	119600-01770	3	20	119620-13520	6	13	119621-99100	20	33
114371-77140	17	20 C	119600-11450	4	30	119620-13560	6	14	119621-99400	20	34
		20 C-1		20	9	119620-14100	7	7	119623-01250	1	12 -1
114371-77160	17	20 D	119600-11460	4	29	119620-14200	7	1	119623-01330	1	24
		20 D-1		20	10	119620-14401	7	2		20	3
114371-77170	17	20 H	119600-21580	8	16	119620-21500	8	55	119623-01950	2	23
		20 H-1	119600-34800	9	14	119620-21591	8	20	119623-11100	4	20
114371-77180	17	20 J	119600-34820	9	15	119620-21941	8	10	119623-21700	8	1
		20 J-1	119600-35081	9	30	119620-23910	8	37	119623-22080	8	24
114371-79040	17	20 E	119600-35091	9	31	119620-25102	7	11	119623-22500	8	26
		20 E-1	119600-52021	15	2	119620-25912	7	13	119623-22900	8	42
114371-79050	17	20 F	119600-61100	13	4	119620-42020	10	15	119623-22950	8	44
		20 F-1	119600-61200	13	5		20	17	119623-34820	9	15 -1
114371-79060	17	20 G	119600-61541	13	46	119620-42320	10	12	119623-35080	9	30 -1
		20 G-1	119600-61650	13	50	119620-51101	12	4	119623-61200	13	15 A
114371-79070	17	20 P	119600-61900	13	54	119620-51170	12	7	119624-02410	1	21 -1
		20 P-1	119600-66020	13	64	119620-51180	12	8	119624-32040	2	6 -1
118400-03060	4	56 -1	119600-66530	13	73	119620-51190	12	9		20	30 A
119131-18320	6	7 -1	119600-66720	13	80	119620-51250	12	10	119629-14580	7	3

Parts No. Index

Parts No.	Fig. No.	Ref. No.
119629-66510	13	72
119631-13101	6	1
119631-77010	17	1
119631-77011	17	1 -1
119631-77651	17	20 K
		20 K-1
119631-77780	17	20 N
		20 N-1
119632-61200	13	14
119640-01640	3	17
119642-33030	9	39
119642-33100	9	40
119642-42000	10	2
119642-49030	9	43
119642-49050	9	44 -1
119642-49060	9	44 A
119642-49090	9	44 B
119644-21200	8	5
119645-49020	11	31
119650-42291	10	17
119653-12500	5	5
119653-12550	5	10
119653-12600	5	11
119653-66500	13	67
119655-12560	5	7
119657-11350	4	50 -1
119660-01510	2	17
119660-01551	2	20
119660-01562	2	21
	20	4
119660-01570	2	22
119660-01640	3	10
119660-01821	7	17
119660-01911	2	5
119660-12101	5	1
119660-12111	5	2
	20	13
119660-21651	8	8
119660-25022	7	9
119660-25052	7	10
119660-32001	9	1
119660-32020	9	11
	20	16
119660-35102	9	16
119660-35113	9	17
	20	30
119660-35300	9	19
119660-42004	10	1
119660-42005	10	1 -1
119660-42006	10	1 -2

Parts No.	Fig. No.	Ref. No.
119660-42350	10	18
119660-51500	12	31
119660-51530	12	33
119660-61052	13	19
119660-61060	13	2
119660-61071	13	3
119660-61121	13	11
119660-61140	13	12
119660-61150	13	13
119660-61300	13	9
119660-61341	13	10
119660-61460	13	20
119660-61491	13	28
119660-61651	13	49
119660-61901	13	55
119685-61940	13	63 A
119685-61950	13	66 A
119688-21590	8	12
119688-44940	11	8
119688-44941	11	8 -1
119688-44950	11	9
119688-44961	11	10
119688-44971	11	11
119688-44972	11	11 -1
119688-44981	11	12
119688-49010	11	30
119688-66120	16	1
119789-11200	4	31 A
119789-12600	5	11 -1
119789-66010	13	64 A
119807-11770	4	57 -1
119808-12540	5	9
119823-13600	6	9 -1
119836-77200	18	1
119836-77700	18	2
119836-77710	18	4
119836-77721	18	5
119836-77730	18	6
119836-77741	18	7
119836-77750	18	8
119836-77760	18	9
119836-77770	18	10
119836-77780	18	11
119836-77790	18	15
119836-77800	18	16
119836-77810	18	19
119836-77820	18	20
119836-77830	18	21
119836-77840	18	17
119836-77850	18	3

Parts No.	Fig. No.	Ref. No.
119836-77860	18	18
119836-77871	18	12
119836-77880	18	13
119836-77890	18	14
119840-13150	6	3
119865-12600	5	12
119865-21600	8	15
		19
119888-08110	11	2
119888-21450	8	52
119888-66110	16	4
119888-66130	16	5
119888-66160	16	2 A
119888-91021	19	2
119888-91022	19	2 -1
119888-91031	19	18
119888-91101	19	10
119888-91110	19	20
119888-91120	19	6
119888-91201	19	11
119888-91301	19	10 A
119888-91311	19	11 A
119888-91610	19	24
119888-91620	19	25
119888-61460	13	107 B
121000-13201	6	4
		10
		20
		15
121023-01550	2	32
121023-49150	11	40
121111-21501	8	11
121120-01620	3	6
121236-59080	15	21
		21 C
		5 C
121250-44590	11	5
121250-44901	10	25
121250-55620	15	11
121254-55510	15	8
121256-44600	11	29
121400-44650	11	7
121400-91520	19	22
121400-91530	19	23
121450-01560	2	18
121450-42450	10	27
121465-59950	13	118
121520-01851	15	1
121520-34810	9	13
121550-49111	11	43
121575-66830	13	107
121750-49150	11	39

Parts No.	Fig. No.	Ref. No.
121750-59890	19	35
		37
		38
		39
121850-11860	4	15
121851-11970	9	41 -1
121855-13821	6	17
121855-13830	6	18
123500-13840	6	19
124060-21600	8	23
124060-59380	15	28
124066-59100	14	36
124085-02220	3	12
124097-77710	17	20 L
		20 L-1
124160-01751	2	12
		4
		57
124160-11340	4	25
		20
		8
124160-11360	4	61
124160-39450	9	34
124160-59011	15	23 -1
124160-59080	15	23
		23 C
124190-77110	17	19
124190-77760	17	20
124195-77770	17	20 M
		20 M-1
124250-49351	10	29
124298-77020	17	20 A
		20 A-1
124450-44510	11	23
124450-44530	11	25
124450-44550	11	28
124450-44560	11	26
124465-44950	10	26
		28
		19
		20
124550-55700	15	13
124550-66370	13	66
124550-77030	19	1
124559-77971	19	16
124574-44761	10	31
124664-13580	6	15
124700-44740	10	19
124701-91140	19	4
124732-77720	19	13
124766-59050	11	39 A
		40 A
		41

Parts No. Index

Parts No.	Fig. No.	Ref. No.	Parts No.	Fig. No.	Ref. No.	Parts No.	Fig. No.	Ref. No.	Parts No.	Fig. No.	Ref. No.
124766-59050	15	20	171080-91100	19	19	22512-040120	7	8	26022-040082	12	45
		20 -1	171085-67100	16	12			22	26033-040102	12	46 -1
		21 B	171085-67110	16	13		8	6	26033-060202	19	8
		23 B	171085-67120	16	14	22857-500100	4	60 -1	26106-060102	9	33
124770-91220	19	21	171090-91010	19	17	23000-022000	9	45		13	62
124950-11340	4	26	171102-66080	16	7	23000-054000	5	16		16	25
	20	7	171301-01640	3	21	23010-038000	11	33		19	34 A
126650-66020	16	3	171375-39600	9	35	23061-070230	11	27	26106-060122	1	22
127694-91050	11	45	174307-51700	13	31	23065-120500	4	1		3	25
127695-39710	9	35 -1	194180-51640	19	36	23161-020100	9	37		5	17
128300-77920	19	15	194990-22050	2	30	23414-140000	14	41		7	16
129100-01580	3	1		6	5		20	21	26106-060162	2	7
	8	2			26	23418-060000	15	15			34 -1
129100-61930	13	63			28	23871-010000	1	11			38
129120-35301	9	19 -1		13	1	23871-030000	9	46		5	3
129122-44480	9	42	22111-060000	13	120		10	14		7	25
129132-44530	11	5 B	22117-040000	13	51	23876-010000	1	11 -1		15	3
129150-35350	9	27	22117-050000	19	26	23876-020000	4	15 -1	26106-060182	2	34
129150-49080	11	35			27	23876-030000	10	14 -1	26106-060202	10	20 -1
129150-49100	11	34			41	24101-062034	7	24	26106-060222	3	13
129150-49360	10	30	22117-060000	16	26 A	24102-063034	7	23	26106-060302	2	8
129150-59120	14	18	22117-100000	16	22	24104-062054	8	53	26106-060402	5	4
129150-59131	14	21	22137-040000	12	43	24311-000110	9	32 -1		6	25
129150-91400	2	35	22137-080000	11	13		20	27 -1	26106-060452	3	26
129155-51280	13	16	22137-100000	16	22 -1	24311-000120	2	6	26106-060602	2	9
129155-51580	14	2	22190-060002	15	29		4	62			10
	20	24	22190-060003	13	115		9	32	26106-060702	13	111
129155-61480	13	23	22190-080002	15	30		20	23	26106-060752	13	117
129155-61830	14	2 -1			31			23 -1	26106-060802	2	11
	20	24 -1		20	22			27	26106-060952	13	71
129210-49110	11	39 B	22190-120002	13	116	24311-000160	9	28	26106-080122	11	15
129210-49250	11	38 A	22190-220002	3	19		20	26		19	3
129350-49530	10	21	22217-040000	12	44	24311-000320	2	13	26106-080142	4	3
129350-49541	10	22	22217-050000	4	59		4	58			4
	20	18	22217-100000	11	14		20	5		5	18
129350-49800	10	23		16	23			11	26106-080162	11	16
129400-92410	20	31	22242-000120	4	45	24311-240100	15	17			42
129403-49050	9	44	22242-000200	7	15	24321-000600	9	47		16	27
129470-39610	9	36	22252-000210	8	33		20	28	26106-080182	18	26
129795-77800	4	63	22272-000040	13	52	24321-000700	9	48	26106-080202	9	29
144626-91560	9	38	22272-000050	16	24		20	29		10	24
170064-67210	16	21	22351-020006	16	17	24341-000070	13	61		11	17
171002-66830	13	107 A	22351-030014	13	53	24341-000240	2	33	26106-080222	8	54
171008-77531	22	25	22351-040010	2	19			37	26106-080252	11	18
171008-77571	22	20		13	60		20	25	26106-080402	6	6
171010-77850	19	14	22351-060012	4	28	24341-000250	3	24	26106-080452	4	48
171048-67010	16	6			69	24341-000280	13	69		10	16
171048-67130	16	15	22360-040000	13	109	26014-060162	10	20	26106-080552	6	20
171048-67140	16	16	22360-060000	13	110	26014-080162	11	5 D	26106-081052	18	22
171059-55600	15	4	22411-200150	16	18	26014-080702	15	18	26106-100122	19	40

Parts No. Index

Parts No.	Fig. No.	Ref. No.
26106-100202	11	3
26106-100502	19	9
26116-050102	13	112
	19	28
26116-060082	16	19
26116-060304	13	113
26116-100202	3	5
26116-100302	11	19
26116-120252	17	21
	22	27
26206-100252	3	8
26216-080222	6	7
		27
26216-080552	6	8
26216-080702	6	9
26306-080002	4	49 -1
	6	5 -1
		23 -1
		26 -1
		28 -1
	11	20 -1
26347-040002	6	21
26347-060002	6	22
26366-060002	2	31
	11	44
26366-080002	4	49
	6	23
	11	20
	18	24
26450-060202	9	12
26557-040352	6	24
26557-050102	4	60
26587-040102	12	46
26587-080102	7	26
26657-100002	16	26
26716-050002	19	29
		42
26716-100002	11	21
26756-050002	16	2
26756-060002	4	40
		44
	13	114
26756-100002	11	22
26776-120002	13	106
26856-060002	4	40 -1
		44 -1
26921-050122	16	20
26979-050162	4	46
27221-050080	4	16
27231-450000	1	12

Parts No.	Fig. No.	Ref. No.
27241-120000	1	13
27241-300000	1	14
27241-400000	4	17
27310-070001	4	24
719620-02800	1	15
719620-02870	1	25
719620-02930	1	18
719620-11650	4	37
719620-11660	4	41
719620-23100	8	34
719620-23600	8	56
719620-23610	8	50
719620-53700	14	1
719621-51100	12	1
719623-01560	1	1
719623-11700	4	6
719623-11710	4	5
719623-92610	20	1
719623-92620	20	2
719631-01540	3	16
719660-14590	7	18
719789-11650	4	37 A
719789-11660	4	41 A
933110-00100	19	30
933110-00301	19	32
977770-01212	2	39
	3	27
	20	32
X0280210331	21	23
X0280335360	21	34
X0280626010	21	12
X0280996180	21	3
X0281007680	21	2
X0282005871	21	6
X0283006960	21	7
X0284105010	21	13
X0284525010	21	27
X0285005770	21	10
X0285105190	21	4
X0285205030	21	5
X0286105010	21	15
X0286305010	21	17
X0286355010	21	18
X0287405140	21	19
X0534007800	21	20
X1289510130	21	35
X2114145010	22	24
X211425511	22	4
X21142742	22	26
X2114275070	17	2

Parts No.	Fig. No.	Ref. No.
X2114283500	17	3
X21142867	22	22
X211429006	22	14
X21143215	22	6
X211439001	22	9
X211442003	22	5
X2114430010	17	4
X2114531200	17	6
X2114535200	17	5
X2114555500	22	15
X21145866	22	21
X2114586700	17	7
X211459002	22	10
X211461005	22	2
X2114631090	17	8
X211465504	22	13
X211465505	22	12
X2114660130	17	9
X211468005	22	19
X2114680050	17	10
X211469002	22	7
X2114715500	17	11
X211476012	22	18
X2114765040	22	23
X2114780060	17	12
X2114811000	17	13
X2114821500	17	14
X211483003	22	8
X2114831300	17	17
X21148314	22	11
X2114931400	17	18
X211495502	22	16
X2114966130	17	15
X2114990010	17	16
X2130350900	22	3
X224041010	22	17
X2284005750	21	8
X2411365340	11	5 A
X9055715000	21	21
X9490065670	21	33
X9490138090	21	25
X9490138100	21	26
X9490138110	21	24
X9490423520	21	30
X9490560750	21	29
X9490562360	21	28
X9490721360	21	22
X9491034320	21	16
X9491034330	21	14
X9491040990	21	11

Parts No.	Fig. No.	Ref. No.
X9491050100	21	9