

0CD50-M05230EN

# P R E F A C E

This parts catalog is the 1st edition of 4TNV98CT-L2VMB for MAEDA SEISAKUSHO CO.,LTD.

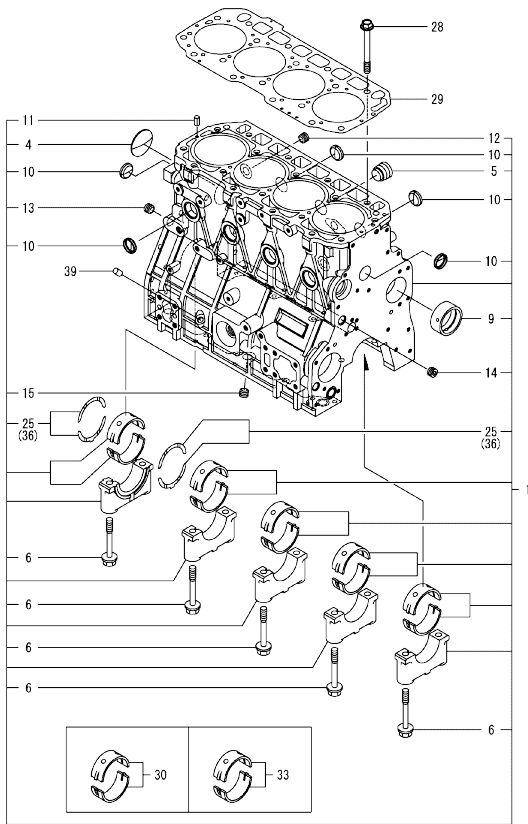
Published : August, 2019

## Contents

0CD50-M05230

Fig. No.	Fig. Name	Fig. No.	Fig. Name
ENGINE			
1.	CYLINDER BLOCK		
2.	GEAR HOUSING		
3.	FLYWHEEL HOUSING & OIL SUMP		
4.	CYLINDER HEAD & BONNET		
5.	SUCTION MANIFOLD		
6.	EXHAUST MANIFOLD		
7.	DIESEL PARTICULATE FILTER(DPF)		
8.	CAMSHAFT & DRIVING GEAR		
9.	TURBINE		
10.	CRANKSHAFT & PISTON		
11.	LUB. OIL SYSTEM		
12.	LUB. OIL PIPE		
13.	COOLING WATER SYSTEM		
14.	FUEL SUPPLY PUMP		
15.	FUEL INJECTION VALVE		
16.	FUEL PIPE		
17.	STARTER MOTOR		
18.	GENERATOR		
19.	ELECTRONIC CONTROL UNIT(ECU)		
20.	ELECTRIC PARTS		
21.	ACCESSORY		
22.	GASKET SET		

Fig.1. CYLINDER BLOCK



(A)=4TNV98CT-L2VMB  
(B)=  
(C)=

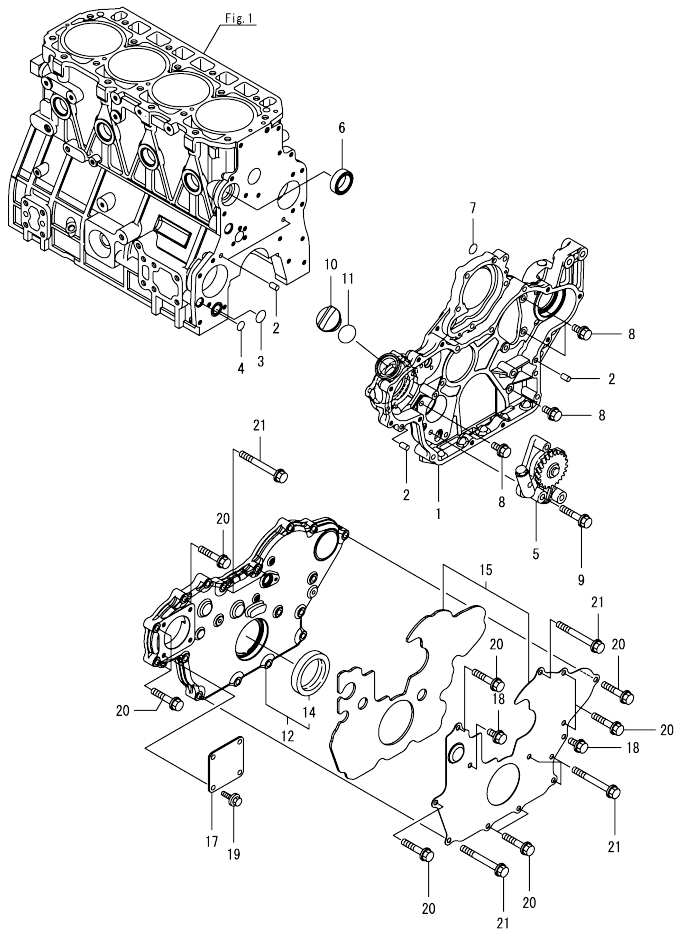
(D)=  
(E)=  
(F)=

No.	Lev.	Parts No.	Description	Q'ty						I	R
				(A)	(B)	(C)	(D)	(E)	(F)		
1	1	129E32-01560	BLOCK ASSY, CYLINDER	1							
4	2	129900-01250	PLUG, 55	1							
5	2	171051-01921	PLUG, NPTF1	1							
6	2	129900-02020	BOLT, METAL CAP	10							
9	2	129900-02410	BUSH, CAMSHAFT	1							
10	2	27241-300000	PLUG 30	8							
11	2	22351-060012	PIN, SPRING 6.0X12	2							
12	2	23876-030000	PLUG, R03	1							
13	2	23876-030000	PLUG, R03	1							
14	2	23876-030000	PLUG, R03	1							
15	2	23876-030000	PLUG, R03	1							
25	2	129927-02930	BEARING ASSY, THRUST	2							
28	1	129900-01200	BOLT, CYLINDER HEAD	18							
29	1	129E00-01330	GASKET, HEAD	1							
30	1	729927-02800	BEARING ASSY, MAIN	5							1
33	1	129927-02340	BEARING ASSY, MAIN US	5							2
36	1	129927-02940	BEARING, THRUST 0.25OS	2							3
39	1	119309-01810	PLUG	1							

Remarks

- (1) Spare parts.
- (2) Under-sized (U.S.=0.25) parts.
- (3) Over-sized (O.S.=0.25) parts.

Fig.2. GEAR HOUSING

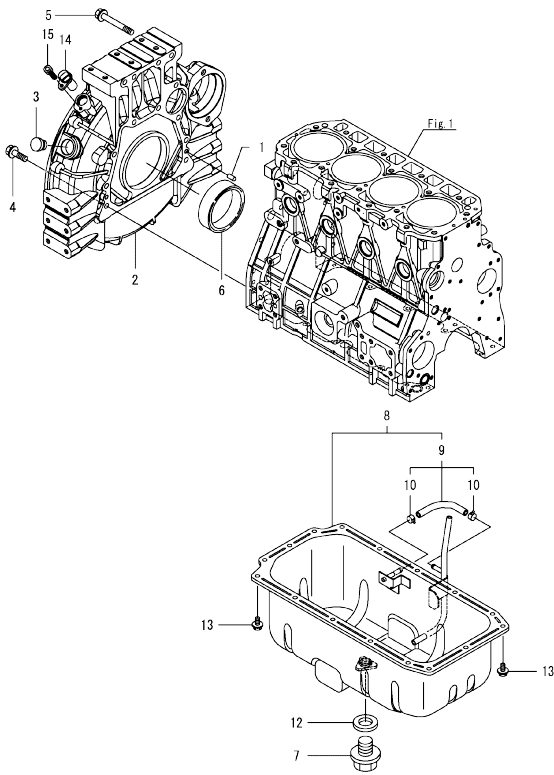


(A)=4TNV98CT-L2VMB  
(B)=  
(C)=

(D)=  
(E)=  
(F)=

No.	Lev.	Parts No.	Description	Q'ty						I	R
				(A)	(B)	(C)	(D)	(E)	(F)		
1	1	129E01-01500	CASE, GEAR	1							
2	1	129100-01580	PIN, PARALLEL 8X16	4							
3	1	129900-32030	O-RING, P20	1							
4	1	129900-32040	O-RING, P14	1							
5	1	129908-32060	PUMP ASSY, OIL	1							
6	1	129927-42140	GASKET, PUMP OUTLET	1							
7	1	24311-000070	O-RING, 1AP7.0	1							
8	1	26106-080162	BOLT, M8X 16 PLATED	4							
9	1	26106-080452	BOLT, M8X 45 PLATED	3							
10	1	124160-01751	CAP, FILLER	1							
11	1	24311-000320	O-RING, 1AP32.0	1							
12	1	129E00-01580	COVER ASSY, CASE	1							
14	2	129916-01800	SEAL, OIL	1							
15	1	129E00-01850	COVER ASSY, CASE	1							
17	1	124240-01871	COVER, HYDRAULIC PUMP	1							
18	1	26106-080162	BOLT, M8X 16 PLATED	2							
19	1	26106-080162	BOLT, M8X 16 PLATED	4							
20	1	26106-080402	BOLT, M8X 40 PLATED	10							
21	1	26106-080702	BOLT, M8X 70 PLATED	7							

Fig.3. FLYWHEEL HOUSING & OIL SUMP

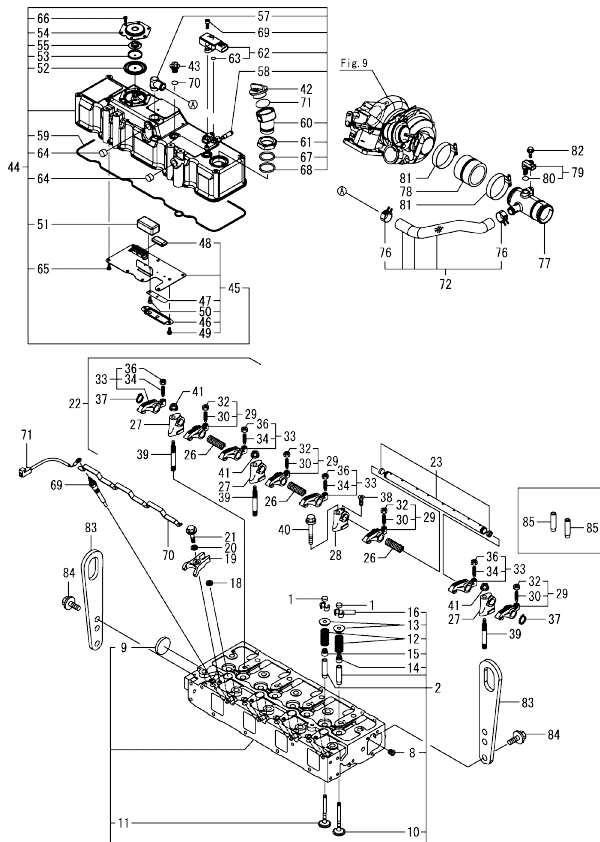


No.	Lev.	Parts No.	Description	Q'ty						I	R
				(A)	(B)	(C)	(D)	(E)	(F)		
1	1	129100-01580	PIN, PARALLEL 8X16	2							
2	1	129E00-01620	HOUSING, FLYWHEEL	1							
3	1	119620-01750	CAP, WHEEL COVER	1							
4	1	26206-100352	BOLT, M10X 35 PLATED	9							
5	1	26206-100952	BOLT, M10X 95 PLATED	4							
6	1	129916-01790	SEAL, D115/95XT11	1							
7	1	119640-01640	PLUG, DRAIN M22	1							
8	1	129E20-01700	OIL PAN ASSY	1							
9	2	129E20-59500	HOSE ASSY	1							
10	3	124766-59050	CLAMP, HOSE 11.5	2							
12	1	22190-220002	WASHER, SEAL 22	1							
13	1	26106-080122	BOLT, M8X 12 PLATED	16							
14	1	129A00-21710	SENSOR, FLYWHEEL	1							1
15	1	26450-060162	BOLT, M6X 16	1							

Remarks

(1)When replacing this part, it is necessary to update the software of the ECU using the designated service tool. Please refer to the Service Manual for details.

Fig.4. CYLINDER HEAD & BONNET



(A)=4TNV98CT-L2VMB  
(B)=  
(C)=

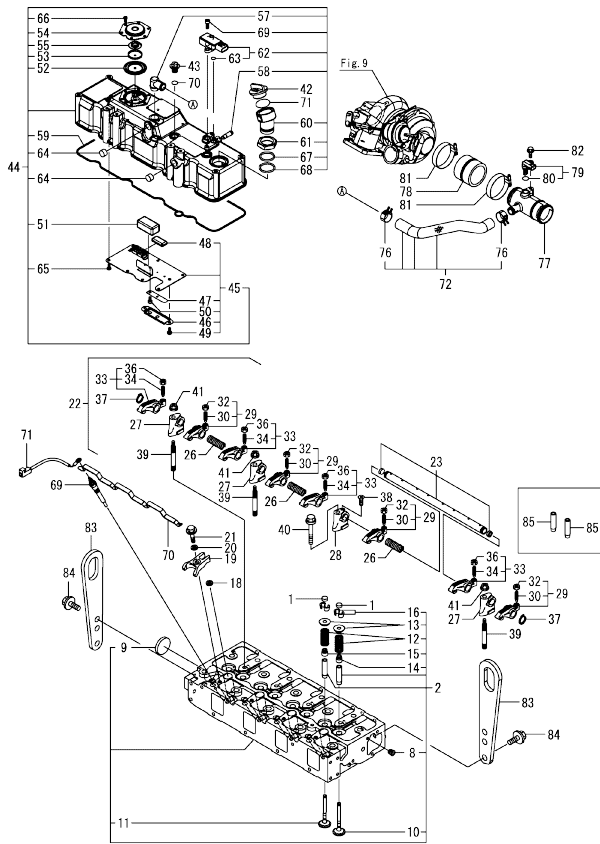
(D)=  
(E)=  
(F)=

No.	Lev.	Parts No.	Description	(A)	(B)	(C)	(D)	(E)	(F)	I	R
1	1	129150-11370	CAP. VALVE	8							
2	1	129E01-11710	HEAD ASSY, CYLINDER	1							
8	2	23876-005000	PLUG, R005	1							
9	2	27241-400000	PLUG, 40	1							
10	2	129E00-11100	VALVE, INTAKE	4							
11	2	129900-11110	VALVE, EXHAUST	4							
12	2	129900-11120	SPRING, VALVE	8							
13	2	129795-11180	RETAINER, SPRING	8							
14	2	124460-11340	SEAL, VALVE STEM	4							
15	2	129A00-11340	SEAL, VALVE STEM	4							
16	2	27310-080001	COTTER, 8	8							
18	1	129978-11871	GASKET, INJECTOR	4							
19	1	129E00-11900	RETAINER, INJECTOR	4							
20	1	120270-54410	WASHER, INJECTOR	4							
21	1	26106-080352	BOLT, M8X 35 PLATED	4							
22	1	129900-11200	SUPPORT ASSY, ROCKER	1							
23	2	129900-11240	SHAFT ASSY, ROCKER	1							
26	2	129900-11280	SPRING, SHAFT	3							
27	2	129900-11510	SUPPORT, ROCKER A	3							
28	2	129900-11520	SUPPORT, ROCKER B	1							
29	2	129900-11650	ARM ASSY, ROCKER INT	4							
30	3	129150-11230	SCREW, VALVE ADJUST	4							
32	3	129150-11750	NUT, M8XP1.0	4							
33	2	129900-11660	ARM ASSY, ROCKER EXH	4							
34	3	129150-11230	SCREW, VALVE ADJUST	4							
36	3	129150-11750	NUT, M8XP1.0	4							
37	2	22242-000180	RING, 18	2							
38	2	26577-040162	SCREW, M4X16	1							
39	1	129900-11530	BOLT, SUPPORT	3							
40	1	26106-100652	BOLT, M10X 65 PLATED	1							
41	1	26306-100002	NUT, M10	3							
42	1	124160-01751	CAP. FILLER	1							
43	1	124160-11360	KNOB, BONNET	3							
44	1	129E01-11361	BONNET ASSY	1							
45	2	129E00-03010	PLATE, BAFFLE	1							
46	3	129E00-03020	COVER, PLATE SPRING	1							
47	3	129978-03030	SPRING, PLATE	1							
48	3	129907-03061	BAFFLE, BREATHER	1							
49	3	26557-050082	SCREW, M5X 8	2							
50	3	26587-050102	SCREW, M5X10	1							
51	2	129907-03070	BAFFLE, BREATHER	1							
52	2	123907-03100	DIAPHRAGM, BREATHER	1							
53	2	123907-03110	PLATE, CENTER	1							
54	2	123907-03120	PLATE, BREATHER	1							
55	2	123907-03140	SPRING, DIAPHRAGM	1							
57	2	129E01-11330	JOINT, BREATHER	1							
58	2	129A00-11330	JOINT	1							
59	2	129E00-11330	GASKET, BONNET	1							
60	2	129978-12700	SENSOR, PRESSURE	1							
61	3	129A00-12780	O-RING, EGR SENSOR	2							
62	2	119640-61400	PLUG	2							

Remarks

- (1)When replacing this part, it is necessary to update the software of the ECU using the designated service tool. Please refer to the Service Manual for details.
- (2)Spare parts.

Fig.4. CYLINDER HEAD & BONNET



(A)=4TNV98CT-L2VMB  
(B)=  
(C)=

(D)=  
(E)=  
(F)=

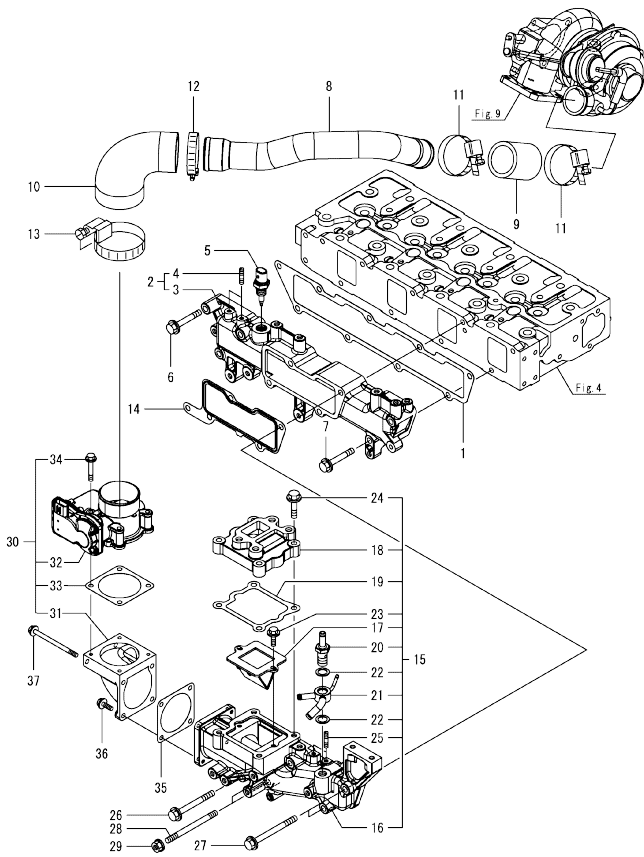
No.	Lev.	Parts No.	Description	Q'ty						I	R
				(A)	(B)	(C)	(D)	(E)	(F)		
63	2	22857-500100	SCREW, 5X10	7							
64	2	22857-500100	SCREW, 5X10	6							
65	2	24316-000180	O-RING, 4DP18.0	1							
66	2	26450-060162	BOLT, M6X 16	3							
67	1	24311-000120	O-RING, 1AP12.0	3							
68	1	24311-000320	O-RING, 1AP32.0	1							
69	1	129E20-77800	PLUG, GLOW 24V	4							
70	1	129E00-77820	CONNECTOR, GLOW PLUG	1							
71	1	129238-77800	HARNES, GLOW PLUG	1							
72	1	129E01-03020	HOSE ASSY, BREATHER	1							
76	2	129410-03990	CLAMP, HOSE 21.5	2							
77	1	129C01-03060	JOINT, BREATHER	1							
78	1	129E30-12060	HOSE, AIR INTAKE	1							
79	1	129A00-12711	SENSOR, TEMPERATURE	1							
80	2	129A00-12790	O-RING, TEMP SENSOR	1							
81	1	23001-060000	CLAMP, HOSE 60	2							
82	1	26106-060162	BOLT, M6X 16 PLATED	1							
83	1	129900-07900	LIFTER, ENGINE	2							
84	1	26106-080162	BOLT, M8X 16 PLATED	4							
85	1	129150-11810	GUIDE, VALVE	8							2

Remarks

- (1)When replacing this part, it is necessary to update the software of the ECU using the designated service tool. Please refer to the Service Manual for details.
- (2)Spare parts.



Fig.5. SUCTION MANIFOLD



(A)=4TNV98CT-L2VMB  
(B)=  
(C)=

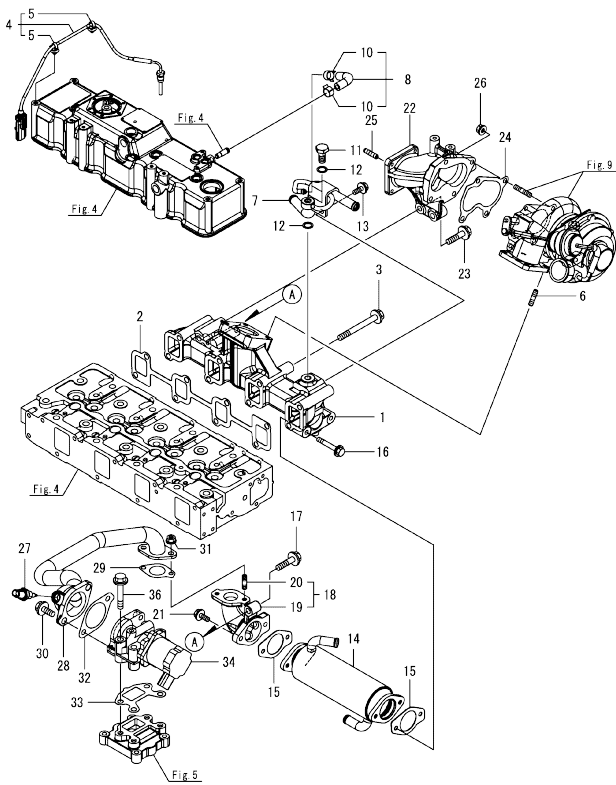
(D)=  
(E)=  
(F)=

No.	Lev.	Parts No.	Description	Q'ty						I	R
				(A)	(B)	(C)	(D)	(E)	(F)		
1	1	129E00-12110	GASKET, MANIFOLD	1							
2	1	129E01-12150	MANIFOLD ASSY,INTAKE	1							
3	2	129E01-12100	MANIFOLD, INTAKE	1							
4	2	26216-060202	STUD, M6X 20	2							
5	1	129A00-12721	SENSOR,AIR TEMP	1							1
6	1	26106-080452	BOLT, M8X 45 PLATED	1							
7	1	26106-080552	BOLT, M8X 55 PLATED	4							
8	1	129E01-18200	DUCT, INTAKE	1							
9	1	129E01-18220	JOINT, HOSE	1							
10	1	129A01-18210	JOINT, RUBBER	1							
11	1	23000-054000	CLAMP, 54	2							
12	1	23000-060000	CLAMP, 60	1							
13	1	23000-075000	CLAMP, 75	1							
14	1	129E00-12810	GASKET, COLLECTOR	1							
15	1	129E01-12851	COLLECTOR ASSY	1							
16	2	129E01-12800	COLLECTOR	1							
17	2	129E01-13700	VALVE, REED	1							
18	2	129E00-13710	SPACER, EGR VALVE	1							
19	2	129E00-13720	GASKET, EGR-V SPACER	1							
20	2	129A00-59110	JOINT, HOSE M14	1							
21	2	129E00-59120	JOINT, HOSE 14	1							
22	2	22190-140002	WASHER, SEAL 14	2							
23	2	26106-060142	BOLT, M6X 14 PLATED	2							
24	2	26106-080352	BOLT, M8X 35 PLATED	4							
25	2	26216-060202	STUD, M6X 20	2							
26	1	26106-080752	BOLT, M8X 75 PLATED	1							
27	1	26106-080902	BOLT, M8X 90 PLATED	2							
28	1	26216-081002	STUD, M8X100	2							
29	1	26306-080002	NUT, M8	2							
30	1	129E30-12900	THROTTLE ASSY, INT	1							
31	2	129A00-12820	BEND, INTAKE	1							
32	2	129G01-12900	THROTTLE, INT	1							1
33	2	129A00-12910	GASKET, THROTTLE	1							
34	2	26106-060452	BOLT, M6X 45 PLATED	4							
35	1	129A00-12910	GASKET, THROTTLE	1							
36	1	26106-060202	BOLT, M6X 20 PLATED	2							
37	1	26106-060902	BOLT, M6X 90 PLATED	2							

Remarks

(1)When replacing this part, it is necessary to update the software of the ECU using the designated service tool. Please refer to the Service Manual for details.

Fig.6. EXHAUST MANIFOLD



(A)=4TNV98CT-L2VMB  
(B)=  
(C)=

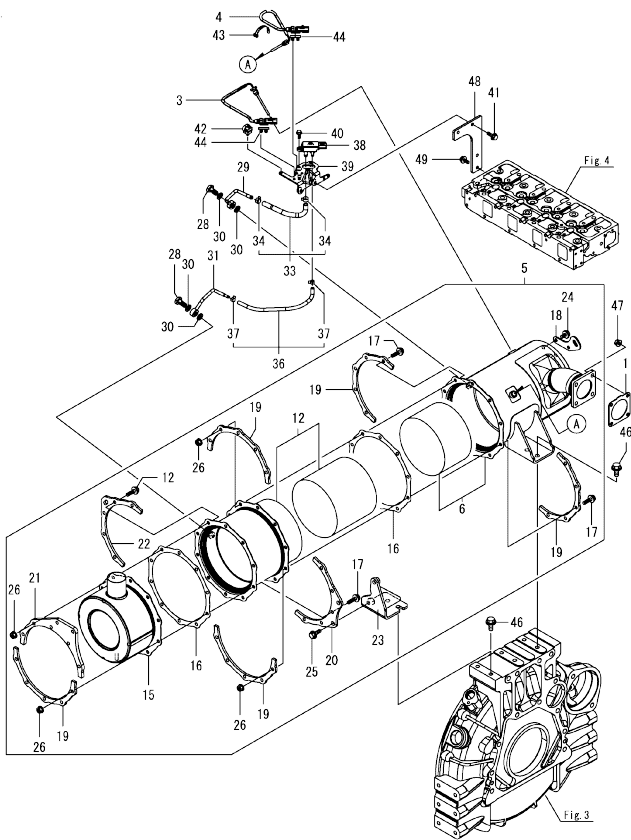
(D)=  
(E)=  
(F)=

No.	Lev.	Parts No.	Description	Qty						I	R
				(A)	(B)	(C)	(D)	(E)	(F)		
1	1	129E01-13101	MANIFOLD, EXHAUST	1							
2	1	129E00-13110	GASKET, MANIFOLD	1							
3	1	129F01-13610	BOLT, M10X95 10.9T	8							
4	1	129E00-13770	SENSOR, TEMPERATURE	1							1
5	2	129A00-91200	CLIP, BAND	2							
6	1	129418-18320	STUD, M8X20	4							
7	1	129E01-13300	PIPE, PRESSURE	1							
8	1	129978-13330	HOSE ASSY, PRESSURE	1							
10	2	129A00-13380	CLIP, HOSE 14	2							
11	1	129A00-13350	BOLT, PIPE JOINT	1							
12	1	23414-120000	GASKET, 12X1.0	2							
13	1	26106-080162	BOLT, M8X 16 PLATED	2							
14	1	129E00-13400	COOLER, EGR	1							
15	1	129978-13411	GASKET, EGR COOLER	2							
16	1	129E00-13610	BOLT, M8X50 10.9	2							
17	1	129F01-13650	BOLT, M10X40 10.9T	1							
18	1	129E00-13851	BEND, COOLER OUTLET	1							
19	2	129E00-13861	BEND, COOLER OUTLET	1							
20	2	129418-18320	STUD, M8X20	2							
21	1	26106-080202	BOLT, M8X 20 PLATED	2							
22	1	129E30-13350	PIPE, EXHAUST	1							
23	1	129F01-13650	BOLT, M10X40 10.9T	2							
24	1	123901-18080	GASKET, TURBINE OUT	1							
25	1	119131-18320	STUD, M8X22	4							
26	1	26306-080002	NUT, M8	4							
27	1	129A00-13752	SENSOR, EGR GAS TEMP	1							1
28	1	129E00-13800	PIPE ASSY, EGR	1							
29	1	129927-13810	GASKET, EGR PIPE	1							
30	1	26106-100252	BOLT, M10X 25 PLATED	2							
31	1	26306-080002	NUT, M8	2							
32	1	129E00-13910	GASKET, EGR-V INLET	1							
33	1	129E00-13920	GASKET, EGR-V OUTLET	1							
34	1	129E00-13960	VALVE, EGR 24V IDENT	1							1
36	1	26106-100602	BOLT, M10X 60 PLATED	4							

Remarks

(1)When replacing this part, it is necessary to update the software of the ECU using the designated service tool. Please refer to the Service Manual for details.

Fig.7. DIESEL PARTICULATE FILTER(DPF)



(A)=4TNV98CT-L2VMB  
(B)=  
(C)=

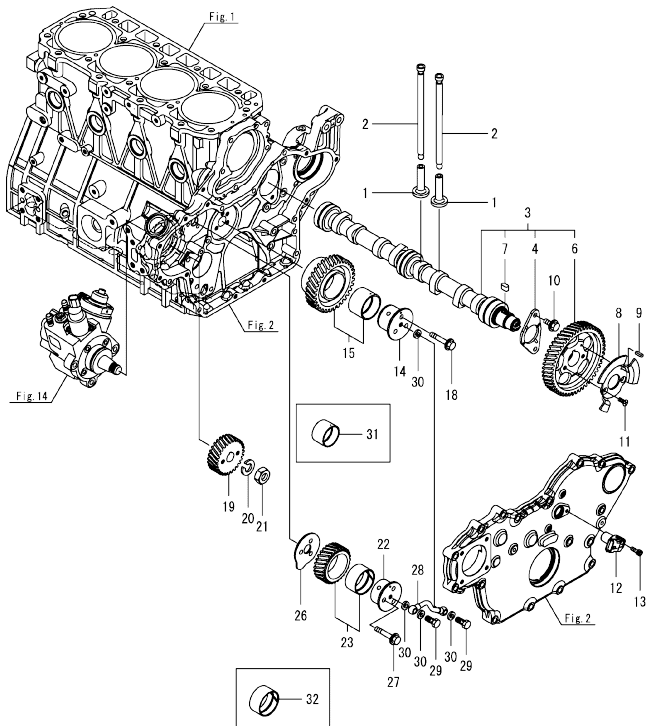
(D)=  
(E)=  
(F)=

No.	Lev.	Parts No.	Description	(A)	(B)	(C)	(D)	(E)	(F)	I	R
1	1	129930-13201	GASKET, SILENCER	1							
3	1	129C00-13940	SENSOR, TEMPERATURE	1							1
3-1	1	129C00-13860	SENSOR, ATD TEMP.DS+	1						N	1
(A=EC4137)											
4	1	129C00-13950	SENSOR, TEMPERATURE	1							1
4-1	1	129C00-13870	SENSOR, ATD TEMP.DS+	1						N	1
(A=EC4137)											
5	1	129E30-16010	DPF ASSY	1							1
5-1	1	129E30-16050	DPF ASSY	1						N	1
(A=EC4137)											
6	2	129E01-16201	CASE, DOC	1							1
6-1	2	129E01-16230	CASE, DOC	1						N	1
(A=EC4137)											
12	2	129C01-16400	CASE, SOOT FILTER	1							1
15	2	129E20-16550	SILENCER, DPF	1							
16	2	129E00-16600	GASKET, DPF	2							
17	2	129A00-16610	BOLT, M8X28 10.9T	20							
18	2	129C01-16680	LIFTER, DPF	1							
19	2	129C01-16700	STIFFENER, DPF A	5							
20	2	129C01-16710	STIFFENER, DPF B	1							
21	2	129C01-16730	STIFFENER, DPF C	1							
22	2	129C01-16740	STIFFENER, DPF C	1							
23	2	129E00-16801	STAY, DPF	1							
24	2	26106-080142	BOLT, M8X 14 PLATED	2							
25	2	26106-100222	BOLT, M10X 22 PLATED	2							
26	2	26306-080002	NUT, M8	20							
28	1	129A00-13350	BOLT, PIPE JOINT	2							
29	1	129E00-17300	PIPE ASSY, PRESSURE	1							
30	1	129A00-17311	GASKET, SENSOR	4							
31	1	129E00-17350	PIPE ASSY, PRESSURE	1							
33	1	129E22-17510	HOSE, PRES EXH	1							
34	1	129A00-17520	CLIP, HOSE	2							
36	1	129E22-17560	HOSE, PRES EXH	1							
37	1	129A00-17570	CLIP, HOSE	2							
38	1	129978-17700	SENSOR, PRESSURE	1							1
39	1	129A00-17760	BRACKET, SENSOR	1							
40	1	26106-060162	BOLT, M6X 16 PLATED	2							
41	1	26106-080202	BOLT, M8X 20 PLATED	2							
42	1	129A00-91200	CLIP, BAND	1							
43	1	129C00-91200	BAND	1							
44	1	129A00-91430	CLIP, CONNECTOR	2							
46	1	26106-100202	BOLT, M10X 20 PLATED	4							
47	1	26306-080002	NUT, M8	4							
48	1	129E22-17750	BRACKET, SENSOR	1							
49	1	26106-080162	BOLT, M8X 16 PLATED	2							

Remarks

(1)When replacing this part, it is necessary to update the software of the ECU using the designated service tool. Please refer to the Service Manual for details.

Fig.8. CAMSHAFT & DRIVING GEAR



(A)=4TNV98CT-L2VMB  
(B)=  
(C)=

(D)=  
(E)=  
(F)=

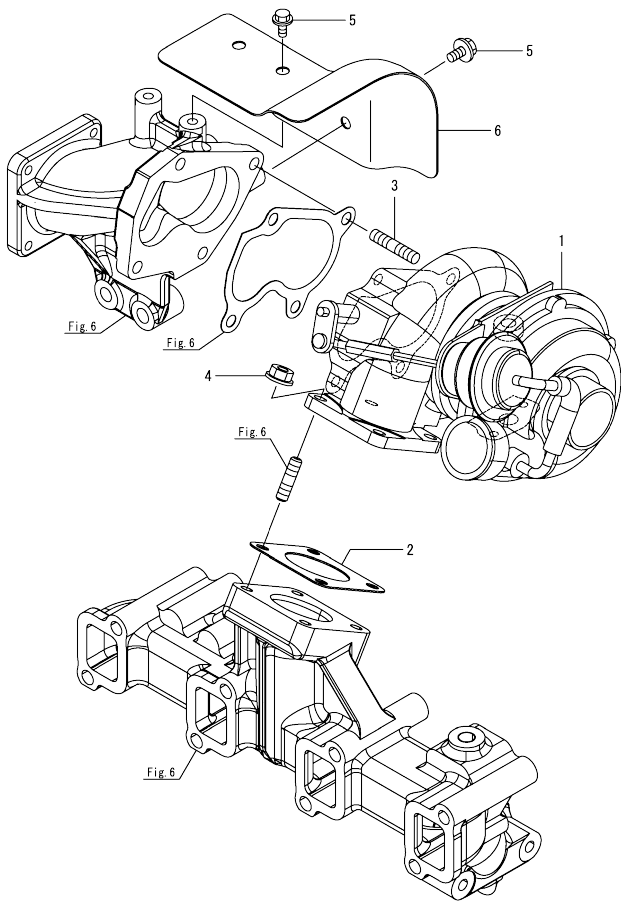
No.	Lev.	Parts No.	Description	Qty						I	R
				(A)	(B)	(C)	(D)	(E)	(F)		
1	1	129150-14200	TAPPET	8							
2	1	129900-14400	ROD, PUSH	8							
3	1	129E00-14581	CAMSHAFT ASSY	1							
4	2	129150-02450	METAL, THRUST	1							
6	2	129E00-14101	GEAR, CAMSHAFT	1							
7	2	22512-070140	KEY, 7X 14	1							
8	1	129E00-14700	PULSER, CAM GEAR	1							
9	1	22351-030010	PIN, SPRING 3.0X10	1							
10	1	26106-080142	BOLT, M8X 14 PLATED	2							
11	1	26577-060122	SCREW, M6X12	2							
12	1	129A00-14710	SENSOR, ROTATION	1							
13	1	26450-060162	BOLT, M6X 16	1							
14	1	129E00-25050	SHAFT, IDLE GEAR A	1							
15	1	129927-25110	GEAR ASSY, IDLE	1							
18	1	26106-080502	BOLT, M8X 50 PLATED	3							
19	1	129E00-25902	GEAR, SUPPLY PUMP	1							
20	1	22217-180000	WASHER, SPRING 18	1							
21	1	26776-180002	NUT, LOCK M18	1							
22	1	129E00-25060	SHAFT, IDLE GEAR B	1							
23	1	129E00-25121	GEAR ASSY, IDLE B	1							
26	1	129E00-25200	PLATE, IDLE SHAFT B	1							
27	1	26106-080452	BOLT, M8X 45 PLATED	3							
28	1	129E00-25400	PIPE ASSY, OIL	1							
29	1	105010-39140	BOLT, PIPE JOINT M8	2							
30	1	22190-080002	WASHER, SEAL 8	4							
31	1	129927-25920	BUSH, IDLE GEAR	1							1
32	1	129E00-25080	BUSH, IDLE GEAR B	1							1

Remarks

(1)Spare parts.

OCD50-M05230 ENGINE  
 Fig.9. TURBINE

OCD50-M05230 Fig.9

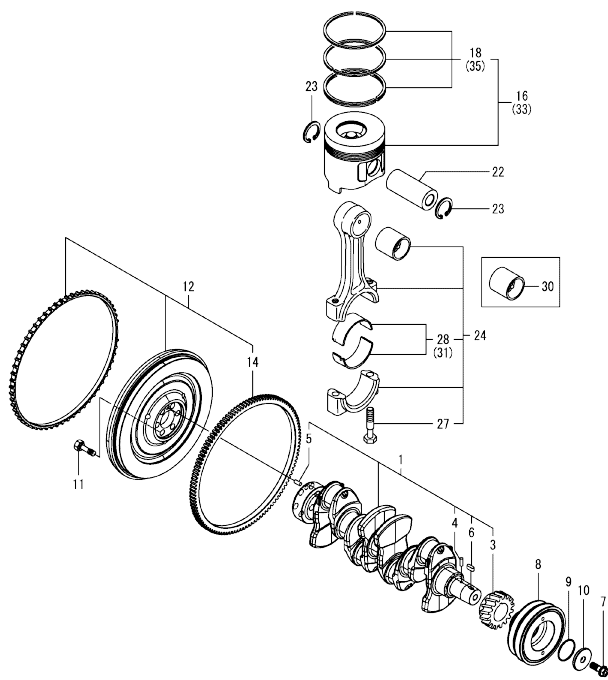


(A)=4TNV98CT-L2VMB  
 (B)=  
 (C)=

(D)=  
 (E)=  
 (F)=

No.	Lev.	Parts No.	Description	Q'ty						I	R
				(A)	(B)	(C)	(D)	(E)	(F)		
1	1	129E01-18011	TURBOCHARGER, RHF5	1							
2	1	129472-18090	GASKET, TURBINE IN	1							
3	1	119131-18320	STUD, M8X22	4							
4	1	26306-080002	NUT, M8	4							
5	1	119802-13801	BOLT, M8X14 10.9T	4							
6	1	129E30-18020	COVER, TURBO CHARGER	1							

Fig.10. CRANKSHAFT & PISTON



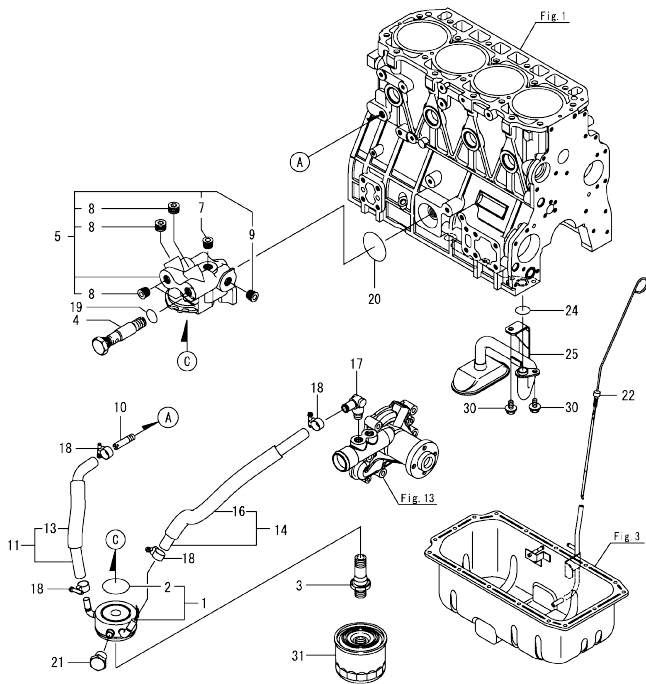
(A)=4TNV98CT-L2VMB  
(B)=  
(C)=

(D)=  
(E)=  
(F)=

No.	Lev.	Parts No.	Description	Q'ty						I	R
				(A)	(B)	(C)	(D)	(E)	(F)		
1	1	129908-21100	CRANKSHAFT ASSY	1							
3	2	129900-21220	GEAR, CRANKSHAFT	1							
4	2	121850-21290	PIN, CRANK GEAR	1							
5	2	121850-21920	PIN, PARALLEL 10X22	1							
6	2	22512-070140	KEY, 7X 14	1							
7	1	129916-21610	BOLT, V-PULLEY	1							
8	1	129E30-21600	V-PULLEY, CRANKSHAFT	1							
9	1	129960-21930	GASKET, WASHER	1							
10	1	129960-21940	WASHER, V-PULLEY	1							
11	1	121850-21130	BOLT, FLYWHEEL	6							
12	1	129E00-21580	FLYWHEEL ASSY	1							
14	2	129900-21600	GEAR, RING	1							
16	1	129E01-22080	PISTON ASSY	4							
18	2	129E00-22050	RING SET, PISTON	4							
22	1	120130-22301	PIN, PISTON	4							
23	1	22252-000300	RING, 30	8							
24	1	129900-23001	ROD ASSY, CONNECTING	4							
27	2	129900-23200	BOLT, CONNECTING ROD	8							
28	2	129927-23600	BEARING ASSY, PIN	4							
30	1	129900-23911	METAL, PISTON PIN	4							1
31	1	129927-23610	BEARING ASSY, PIN US	4							2
33	1	129E01-22900	PISTON ASSY, 0.25 OS	4							3
35	2	129E00-22950	RING SET, PISTON .25	4							3

Remarks  
(1) Spare parts.  
(2) Under-sized (U.S.=0.25) parts.  
(3) Over-sized (O.S.=0.25) parts.

Fig.11. LUB. OIL SYSTEM



(A)=4TNV98CT-L2VMB  
(B)=  
(C)=

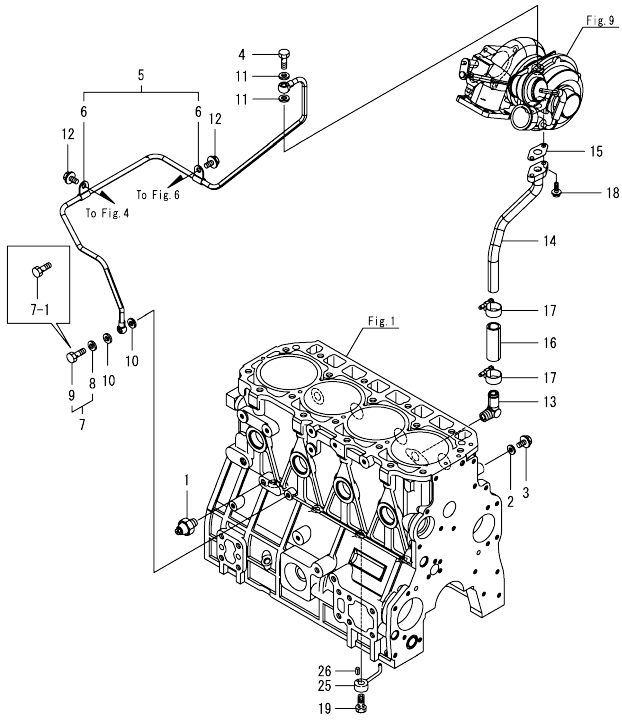
(D)=  
(E)=  
(F)=

No.	Lev.	Parts No.	Description	Q'ty						I	R
				(A)	(B)	(C)	(D)	(E)	(F)		
1	1	129949-33010	COOLER ASSY, OIL	1							
2	2	123912-33050	O-RING	1							
3	1	123910-33100	BOLT, CENTER	1							
4	1	129956-33110	BOLT	1							
5	1	129E33-35100	BRACKET ASSY,LO FILT	1							
7	2	23875-040000	PLUG, R04	1							
8	2	23876-040000	PLUG, R04	4							
9	2	23876-060000	PLUG, R06	1							
10	1	129122-44480	JOINT, PT1/4	1							
11	1	129949-49110	PIPE ASSY, WATER	1							
13	2	129956-49190	TUBE, CORRUGATED	1							
14	1	129956-49210	PIPE ASSY, WATER	1							
16	2	129956-49230	TUBE, CORRUGATED	1							
17	1	129466-49300	ELBOW, PT3/8	1							
18	1	23000-025000	CLAMP, 25	4							
19	1	24314-000200	O-RING, 4CP20.0	1							
20	1	24321-000600	O-RING, 1AG60.0	1							
21	1	171056-49120	PLUG, DRAIN R1/4	1							
22	1	129E20-34871	DIPSTICK, OIL	1							
24	1	129900-32030	O-RING, P20	1							
25	1	129953-35000	PIPE ASSY, OIL INLET	1							
30	1	26106-080122	BOLT, M8X 12 PLATED	2							
31	1	129150-35153	FILTER ASSY, D80X80L	1							1

Remarks

(1)Spare parts.

Fig.12. LUB. OIL PIPE



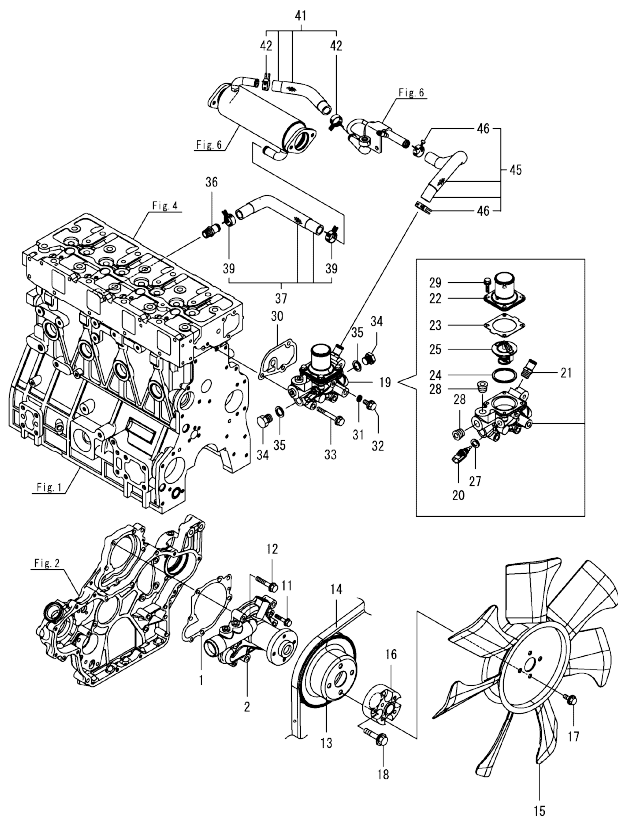
(A)=4TNV98CT-L2VMB  
(B)=  
(C)=

(D)=  
(E)=  
(F)=

No.	Lev.	Parts No.	Description	Q'ty						I	R
				(A)	(B)	(C)	(D)	(E)	(F)		
1	1	124298-39450	SWITCH, HYDRAULIC	1							
2	1	22190-080002	WASHER, SEAL 8	1							
3	1	26106-080122	BOLT, M8X 12 PLATED	1							
4	1	121252-39150	BOLT, JOINT M10X1.5	1							
5	1	129E01-39450	PIPE ASSY, OIL	1							
6	2	129044-39900	RETAINER	2							
7	1	129005-59830	BOLT ASSY, JOINT M8	1							
7-1	1	129198-59540 (A=EC8126)	BOLT, PIPE JOINT M8	1							S
8	2	22190-080002 (A=EC8126)	WASHER, SEAL 8	1							Z
9	2	23857-030000 (A=EC8126)	BOLT, JOINT 3	1							Z
10	1	22190-080002	WASHER, SEAL 8	2							
11	1	23414-100000	GASKET, 10X1.0	2							
12	1	26106-080122	BOLT, M8X 12 PLATED	2							
13	1	124070-13300	ELBOW, PT3/8	1							
14	1	129E01-39600	PIPE, OIL RETURN	1							
14-1	1	129E01-39620 (A=EB6944)	PIPE, LO RETURN T/C	1							N
15	1	129908-39690	GASKET, RETURN PIPE	1							
16	1	123901-39820	HOSE, OIL RETURN	1							
16-1	1	129974-39830 (A=EB6944)	HOSE, LO RETURN	1							N
17	1	23000-025000	CLAMP, 25	2							
18	1	26106-060162	BOLT, M6X 16 PLATED	2							
19	1	129908-39410	VALVE ASSY, CHECK	4							
25	1	119000-39650	NOZZLE, COOLING	4							
26	1	22351-030010	PIN, SPRING 3.0X10	4							



Fig.13. COOLING WATER SYSTEM



(A)=4TNV98CT-L2VMB  
(B)=  
(C)=

(D)=  
(E)=  
(F)=

No.	Lev.	Parts No.	Description	Q'ty						I	R
				(A)	(B)	(C)	(D)	(E)	(F)		
1	1	129900-42020	GASKET, WATER PUMP	1							
2	1	129932-42121	PUMP ASSY, CW	1							
11	1	26106-060302	BOLT, M6X 30 PLATED	2							
12	1	26106-080552	BOLT, M8X 55 PLATED	5							
13	1	123900-42471	V-PULLEY, PUMP	1							
14	1	129E30-42200	V-BELT, B45.5	1							
15	1	129981-44740	FAN, COOLING D=450	1							
16	1	129948-44760	SPACER, FAN	1							
17	1	26106-080162	BOLT, M8X 16 PLATED	4							
18	1	26106-100452	BOLT, M10X 45 PLATED	4							
19	1	129E00-49810	CASE ASSY,THERMOSTAT	1							
20	2	129927-44900	SENSOR, TEMPERATURE	1							1
21	2	129928-49420	JOINT	1							
22	2	129916-49530	COVER, THERMOSTAT	1							
23	2	121850-49540	GASKET, THERMOSTAT	1							
24	2	121850-49550	GASKET, THERMOSTAT	1							
25	2	121850-49801	THERMOSTAT, 82C	1							
27	2	22190-120002	WASHER, SEAL 12	1							
28	2	23875-030000	PLUG, R03	2							
29	2	26106-060202	BOLT, M6X 20 PLATED	4							
30	1	129900-49870	GASKET, THERMOSTAT	1							
31	1	23414-080000	GASKET, 8X1.0	1							
32	1	26106-080122	BOLT, M8X 12 PLATED	1							
33	1	26106-080602	BOLT, M8X 60 PLATED	3							
34	1	121450-42450	PLUG, M16	2							
35	1	124465-44950	GASKET, 16	2							
36	1	129928-49420	JOINT	1							
37	1	129E00-49610	HOSE, COOLER INLET	1							
39	2	129960-03990	CLAMP, HOSE 19.8	2							
41	1	129E00-49640	HOSE, COOLER OUT A	1							
42	2	129960-03990	CLAMP, HOSE 19.8	2							
45	1	129E23-49631	HOSE, COOLER OUT B	1							
46	2	129960-03990	CLAMP, HOSE 19.8	2							

Remarks

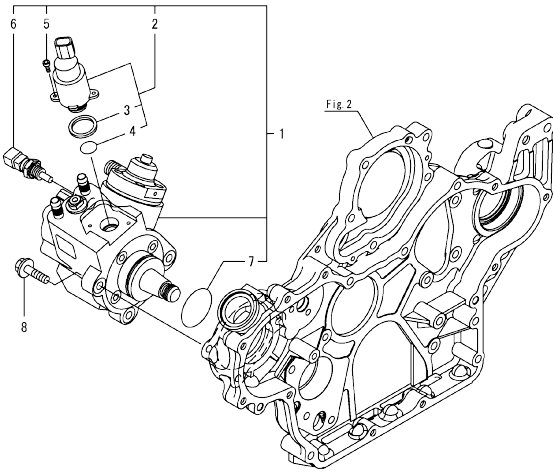
(1)When replacing this part, it is necessary to update the software of the ECU using the designated service tool. Please refer to the Service Manual for details.

Fig.14. FUEL SUPPLY PUMP

(A)=4TNV98CT-L2VMB  
(B)=  
(C)=

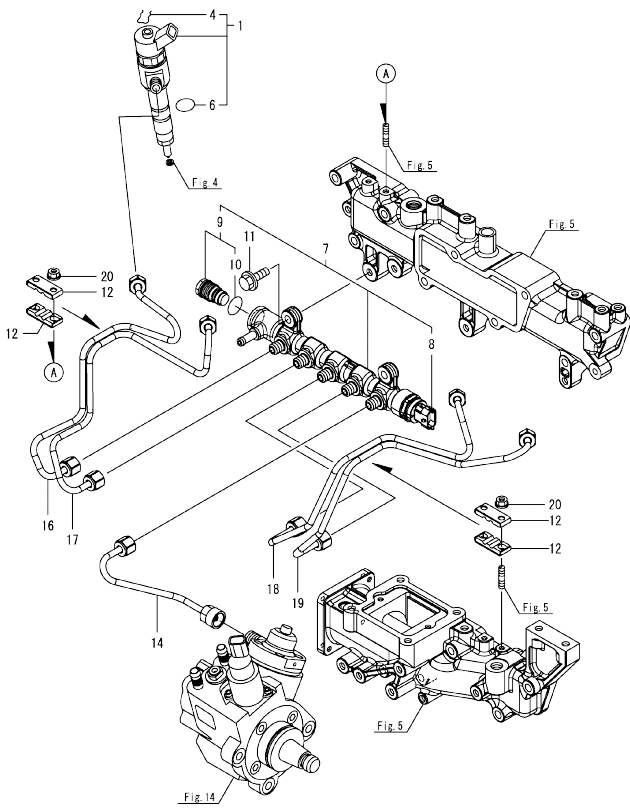
(D)=  
(E)=  
(F)=

No.	Lev.	Parts No.	Description	Q'ty						I	R
				(A)	(B)	(C)	(D)	(E)	(F)		
1	1	129C28-51000	PUMP ASSY, FUEL	1							1
2	2	129A00-51100	VALVE ASSY	1							1
3	3	129A00-51110	RING, SEAL	1							
4	3	129A00-51120	O-RING, MPROP	1							
5	2	129A00-51130	BOLT, MPROP	2							
6	2	129A00-51200	SENSOR, TEMPERATURE	1							1
7	2	129A00-51900	O-RING, FUEL PUMP	1							
8	1	26106-080302	BOLT, M8X 30 PLATED	3							



Remarks  
(1)When replacing this part, it is necessary to update the software of the ECU using the designated service tool.  
Please refer to the Service Manual for details.

Fig.15. FUEL INJECTION VALVE



(A)=4TNV98CT-L2VMB  
(B)=  
(C)=

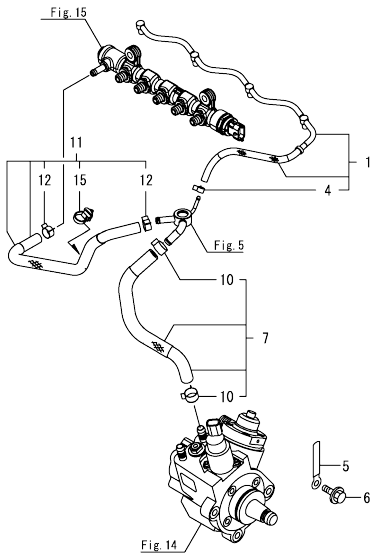
(D)=  
(E)=  
(F)=

No.	Lev.	Parts No.	Description	Q'ty						I	R
				(A)	(B)	(C)	(D)	(E)	(F)		
1	1	129E01-53100	INJECTOR, CR	4							1
4	2	129A00-53200	RING, RETAINING	4							
6	2	129C28-53300	O-RING	4							
7	1	129C00-57000	COMMON RAIL ASSY	1							1
8	2	129A00-57100	SENSOR, PRESSURE	1							1
9	2	129A00-57200	VALVE ASSY, PLV4	1							1
10	3	129A00-57210	O-RING, PLV4	1							
11	1	26106-080252	BOLT, M8X 25 PLATED	2							
12	1	122780-59100	RETAINER, PIPE	4							
14	2	129E00-59700	PIPE ASSY, RAIL IN	1							
16	3	129E00-59810	PIPE, INJECTION NO.1	1							
17	3	129E00-59820	PIPE, INJECTION NO.2	1							
18	3	129E00-59830	PIPE, INJECTION NO.3	1							
19	3	129E00-59840	PIPE, INJECTION NO.4	1							
20	1	26366-060002	NUT, M6	4							

Remarks

(1)When replacing this part, it is necessary to update the software of the ECU using the designated service tool. Please refer to the Service Manual for details.

Fig.16. FUEL PIPE

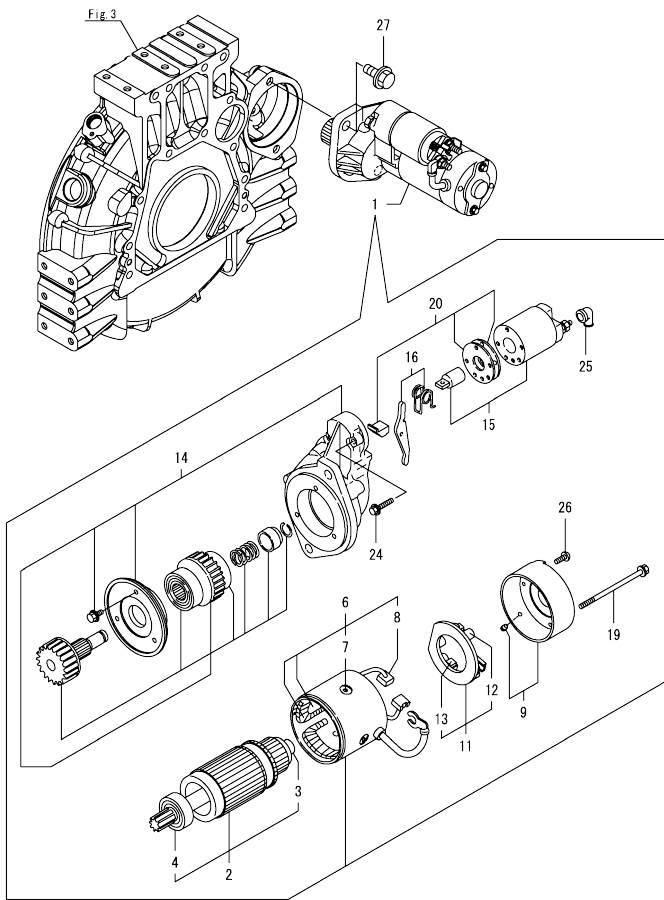


(A)=4TNV98CT-L2VMB  
(B)=  
(C)=

(D)=  
(E)=  
(F)=

No.	Lev.	Parts No.	Description	Q'ty						I	R
				(A)	(B)	(C)	(D)	(E)	(F)		
1	1	129E01-59500	PIPE ASSY, FO RETURN	1							
4	2	23080-007000	CLAMP, 7	1							
5	1	105430-67110	CLAMP, CORD	1							
6	1	26106-080122	BOLT, M8X 12 PLATED	1							
7	1	129E00-59020	HOSE ASSY, RETURN	1							
10	2	23080-015000	CLAMP, 15	2							
11	1	129E00-59030	HOSE ASSY, RETURN	1							
12	2	114270-59010	CLAMP, HOSE 12	2							
15	2	129A00-91200	CLIP, BAND	1							

Fig.17. STARTER MOTOR

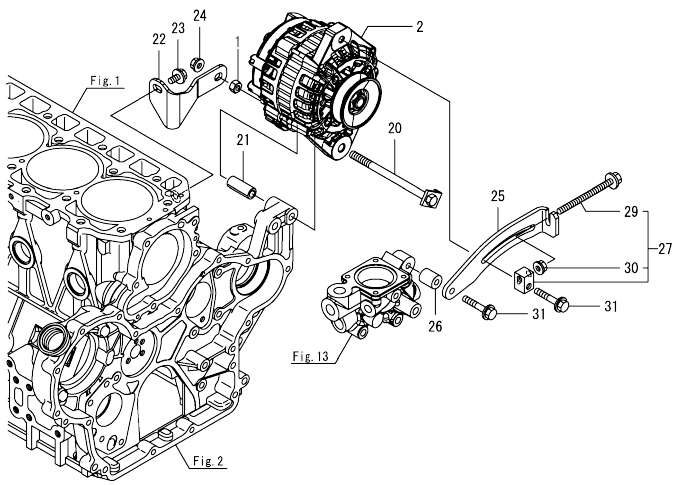


(A)=4TNV98CT-L2VMB  
(B)=  
(C)=

(D)=  
(E)=  
(F)=

No.	Lev.	Parts No.	Description	Q'ty					
				(A)	(B)	(C)	(D)	(E)	(F)
1	1	119131-77011	STARTER ASSY, 3.5KW	1					
2	2	119131-77400	ARMATURE ASSY	1					
3	3	171008-77410	BEARING, BALL 1	1					
4	3	119131-77420	BEARING, BALL 2	1					
6	2	119131-77440	COIL ASSY, FIELD	1					
7	3	119260-77070	SCREW, CORE SET	4					
8	3	119131-77450	BRUSH, +	2					
9	2	119131-77460	COVER ASSY, REAR	1					
11	2	119131-77480	HOLDER ASSY, BRUSH	1					
12	3	119131-77490	SPRING, BRUSH	4					
13	3	119131-77500	BRUSH	2					
14	2	119131-77510	CLUTCH ASSY, PINION	1					
15	2	119131-77590	SWITCH, MAGNET	1					
16	2	119131-77620	LEVER SET, SHIFT	1					
19	2	129400-77640	BOLT, THROUGH	2					
20	2	119131-77650	COVER KIT, DUST	1					
24	2	119131-77690	BOLT, M6X37	2					
25	2	121254-77810	COVER, TERMINAL M	1					
26	2	26557-040102	SCREW, M4X10	2					
27	1	26106-120252	BOLT, M12X 25 PLATED	2					

Fig.18. GENERATOR

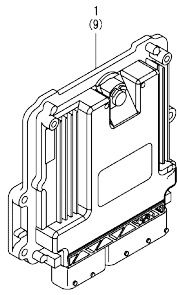


(A)=4TNV98CT-L2VMB  
(B)=  
(C)=

(D)=  
(E)=  
(F)=

No.	Lev.	Parts No.	Description	Q'ty						I	R
				(A)	(B)	(C)	(D)	(E)	(F)		
1	1	129E30-77121	NUT, SPACER	1							
2	1	129E20-77201	ALTERNATOR	1							
20	1	129923-77250	BOLT, STOPPER M10	1							
21	1	129470-77340	PIECE, DISTANCE	1							
22	1	129923-77370	STAY, ALTERNATOR	1							
23	1	26106-080142	BOLT, M8X 14 PLATED	1							
24	1	26306-100002	NUT, M10	1							
25	1	129923-77300	ADJUSTER, BELT	1							
26	1	129E20-77340	PIECE, DISTANCE	1							
27	1	119624-77351	BLOCK ASSY, ADJUSTER	1							
29	2	26106-081004	BOLT, M8X100 PLATED	1							
30	2	26306-080002	NUT, M8	1							
31	1	26106-080452	BOLT, M8X 45 PLATED	2							

Fig.19. ELECTRONIC CONTROL UNIT(ECU)



(A)=4TNV98CT-L2VMB  
(B)=  
(C)=

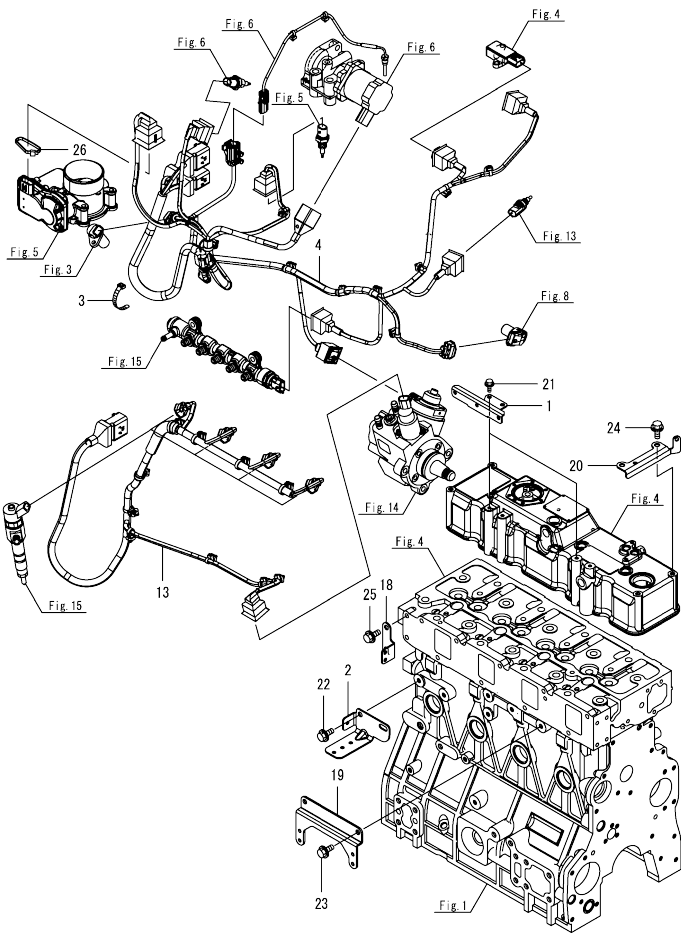
(D)=  
(E)=  
(F)=

No.	Lev.	Parts No.	Description	Q'ty						I	R	
				(A)	(B)	(C)	(D)	(E)	(F)			
1	1	129E30-75060	ECU ASSY,98CT-L2VMB	1							1	
9	1	129A00-75910	ECU ASSY,SERVICE YMR	1								2

Remarks

- (1)Eco ECU  
This part cannot be ordered.  
Replace the part using a Service ECU with the proper engine information installed.
- (2)Service ECU  
When replacing this part, it is necessary to update the software of the ECU using the designated service tool.  
Please refer to the Service Manual for details.

Fig.20. ELECTRIC PARTS



(A)=4TNV98CT-L2VMB  
(B)=  
(C)=

(D)=  
(E)=  
(F)=

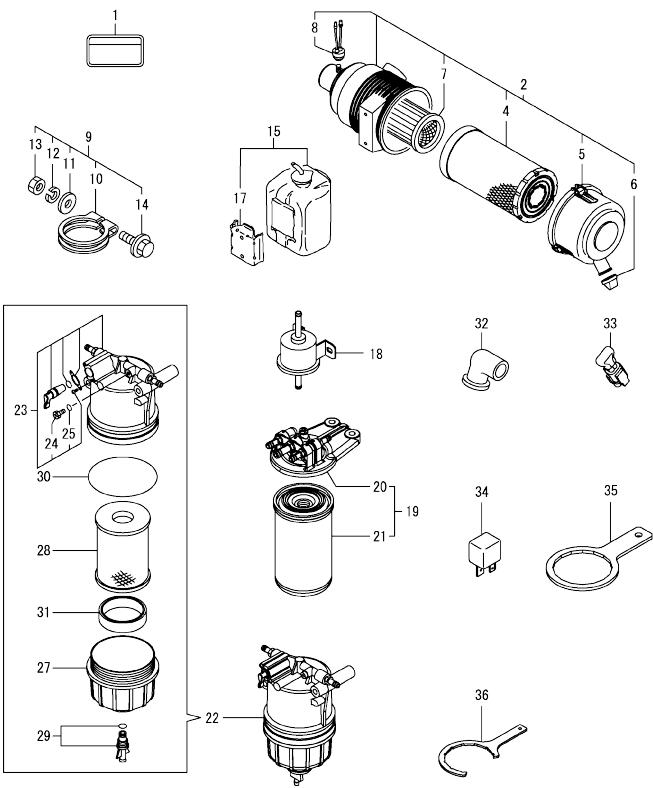
No.	Lev.	Parts No.	Description	Q'ty					
				(A)	(B)	(C)	(D)	(E)	(F)
1	1	129E00-11390	BRACKET, HARNESS	2					
2	1	129A00-77920	BRACKET, HARNESS	1					
3	1	198220-51870	BAND, NYLON 200	1					
4	1	129E01-91340	HARNESS, B LONG	1					
13	1	129E00-91250	HARNESS, C LONG	1					
18	1	129A00-91600	BRACKET, HARNESS	1					
19	1	129E00-91600	BRACKET, HARNESS	1					
20	1	129E01-91600	BRACKET, HARNESS	1					
21	1	26106-080122	BOLT, M6X 12 PLATED	4					
22	1	26106-080122	BOLT, M8X 12 PLATED	2					
23	1	26106-080122	BOLT, M8X 12 PLATED	2					
24	1	26106-080122	BOLT, M8X 12 PLATED	2					
25	1	26106-080122	BOLT, M8X 12 PLATED	2					
26	1	29621-200000	BAND	1					

N:Old  $\frac{New}{Old}$  New, Q:Old  $\frac{New}{Old}$  New, R:Old  $\frac{New}{Old}$  New, S:Old  $\frac{New}{Old}$  New, W:Add, Z:Discontinued, F:Interchangeable by set, K:Qty Change  
Copyright (C) 2019 YANMAR GLOBAL CS CO., LTD. All Rights Reserved.



OCD50-M05230 ENGINE  
 Fig.21. ACCESSORY

OCD50-M05230 Fig.21

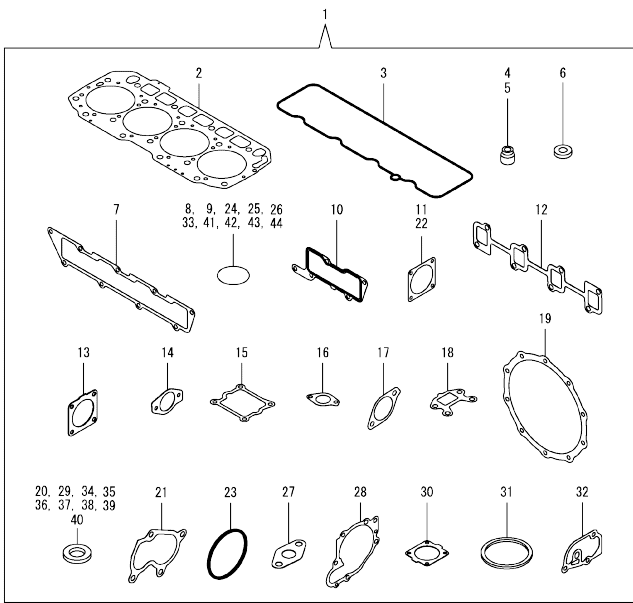


(A)=4TNV98CT-L2VMB  
 (B)=  
 (C)=

(D)=  
 (E)=  
 (F)=

No.	Lev.	Parts No.	Description	Qty						I	R
				(A)	(B)	(C)	(D)	(E)	(F)		
1	1	114110-07761	LABEL, FUEL CAUTION	1							
2	1	129935-12500	CLEANER ASSY, AIR	1							
4	2	129935-12520	ELEMENT, OUTER	1							
5	2	119160-12530	COVER ASSY, CLEANER	1							
6	2	119160-12540	VALVE, VACUATOR	1							
7	2	119160-12570	ELEMENT, INNER	1							
8	2	119140-12680	INDICATOR, CLEANER	1							
9	1	129640-13590	CLAMP ASSY	1							
10	2	129640-13580	CLAMP	1							
11	2	22117-100000	WASHER, 10	1							
12	2	22217-100000	WASHER, SPRING 10	1							
13	2	26106-100652	BOLT, M10X 65 PLATED	1							
14	2	26706-100002	NUT, M10	1							
15	1	720445-44200	TANK ASSY, SUB	1							
17	2	120445-44540	BRACKET, SUB TANK	1							
18	1	129907-52100	PUMP, FUEL FEED	1							
19	1	129A00-55600	FILTER ASSY, FUEL	1							
20	2	129A00-55610	BRACKET ASSY, FILTER	1							
21	2	129A00-55800	FILTER, FUEL	1							
22	1	129A00-55700	FILTER ASSY,FUEL PRE	1							
23	2	129A00-55710	BODY ASSY	1							
24	3	129A00-55751	PLUG, AIR VENT	1							
25	3	129A00-55760	O-RING	1							
27	2	129A00-55720	CUP, CLEAR	1							
28	2	129A00-55730	ELEMENT, FUEL FILTER	1							
29	2	129242-55740	PLUG, DRAIN	1							
30	2	129A00-55740	O-RING	1							
31	2	129A00-55770	FLOAT	1							
32	1	124550-77020	COVER, TERMINAL S	1							
33	1	129C01-77300	RESISTOR, 3K OHM 1W	1							
34	1	129G01-77900	RELAY, 24V20A, ISO-HI	3							
35	1	119640-92750	TOOL, FILTER WRENCH	1							
36	1	129A00-92750	WRENCH, PRE-FILTER	1							

Fig.22. GASKET SET



(A)=4TNV98CT-L2VMB  
(B)=  
(C)=

(D)=  
(E)=  
(F)=

No.	Lev.	Parts No.	Description	Qty						I	R	
				(A)	(B)	(C)	(D)	(E)	(F)			
1	1	129E30-92610	GASKET SET	1							1	
2	2	129E00-01330	GASKET, HEAD	1								
3	2	129E00-11330	GASKET, BONNET	1								
4	2	124460-11340	SEAL, VALVE STEM	4								
5	2	129A00-11340	SEAL, VALVE STEM	4								
6	2	129978-11871	GASKET, INJECTOR	4								
7	2	129E00-12110	GASKET, MANIFOLD	1								
8	2	129A00-12780	O-RING, EGR SENSOR	2								
9	2	129A00-12790	O-RING, TEMP SENSOR	1								
10	2	129E00-12810	GASKET, COLLECTOR	1								
11	2	129A00-12910	GASKET, THROTTLE	2								
12	2	129E00-13110	GASKET, MANIFOLD	1								
13	2	129930-13201	GASKET, SILENCER	1								
14	2	129978-13411	GASKET, EGR COOLER	2								
15	2	129E00-13720	GASKET, EGR-V SPACER	1								
16	2	129927-13810	GASKET, EGR PIPE	1								
17	2	129E00-13910	GASKET, EGR-V INLET	1								
18	2	129E00-13920	GASKET, EGR-V OUTLET	1								
19	2	129E00-16600	GASKET, DPF	2								
20	2	129A00-17311	GASKET, SENSOR	4								
21	2	123901-18080	GASKET, TURBINE OUT	1								
22	2	129472-18090	GASKET, TURBINE IN	1								
23	2	129960-21930	GASKET, WASHER	1								
24	2	129900-32030	O-RING, P20	2								
25	2	129900-32040	O-RING, P14	1								
26	2	123912-33050	O-RING	1								
27	2	129908-39690	GASKET, RETURN PIPE	1								
28	2	129900-42020	GASKET, WATER PUMP	1								
29	2	124465-44950	GASKET, 16	2								
30	2	121850-49540	GASKET, THERMOSTAT	1								
31	2	121850-49550	GASKET, THERMOSTAT	1								
32	2	129900-49870	GASKET, THERMOSTAT	1								
33	2	129A00-51900	O-RING, FUEL PUMP	1								
34	2	22190-080002	WASHER, SEAL 8	7								
35	2	22190-120002	WASHER, SEAL 12	1								
36	2	22190-140002	WASHER, SEAL 14	2								
37	2	22190-220002	WASHER, SEAL 22	1								
38	2	23414-080000	GASKET, 8X1.0	1								
39	2	23414-100000	GASKET, 10X1.0	2								
40	2	23414-120000	GASKET, 12X1.0	2								
41	2	24311-000070	O-RING, 1AP7.0	1								
42	2	24311-000120	O-RING, 1AP12.0	3								
43	2	24311-000320	O-RING, 1AP32.0	3								
44	2	24321-000600	O-RING, 1AG60.0	1								

Remarks

(1)Optional parts.

## Parts No. Index

Parts No.	Fig. No.	Ref. No.
105010-39140	8	29
105430-67110	16	5
114110-07761	21	1
114270-59010	16	12
119000-39650	12	25
119131-18320	6	25
	9	3
119131-77011	17	1
119131-77400	17	2
119131-77420	17	4
119131-77440	17	6
119131-77450	17	8
119131-77460	17	9
119131-77480	17	11
119131-77490	17	12
119131-77500	17	13
119131-77510	17	14
119131-77590	17	15
119131-77620	17	16
119131-77650	17	20
119131-77690	17	24
119140-12680	21	8
119160-12530	21	5
119160-12540	21	6
119160-12570	21	7
119260-77070	17	7
119309-01810	1	39
119620-01750	3	3
119624-77351	18	27
119640-01640	3	7
119640-61400	4	62
119640-92750	21	35
119802-13801	9	5
120130-22301	10	22
120270-54410	4	20
120445-44540	21	17
121252-39150	12	4
121254-77810	17	25
121450-42450	13	34
121850-21130	10	11
121850-21290	10	4
121850-21920	10	5
121850-49540	13	23
	22	30
121850-49550	13	24
	22	31
121850-49801	13	25
122780-59100	15	12
123900-42471	13	13
123901-18080	6	24

Parts No.	Fig. No.	Ref. No.
123901-18080	22	21
123901-39820	12	16
123907-03100	4	52
123907-03110	4	53
123907-03120	4	54
123907-03140	4	55
123910-33100	11	3
123912-33050	11	2
	22	26
124070-13300	12	13
124160-01751	2	10
	4	42
124160-11360	4	43
124240-01871	2	17
124298-39450	12	1
124460-11340	4	14
	22	4
124465-44950	13	35
	22	29
124550-77020	21	32
124766-59050	3	10
129005-59830	12	7
129044-39900	12	6
129100-01580	2	2
	3	1
129122-44480	11	10
129150-02450	8	4
129150-11230	4	30
	3	34
129150-11370	4	1
129150-11750	4	32
	4	36
129150-11810	4	85
129150-14200	8	1
129150-35153	11	31
129198-59540	12	7 -1
129238-77800	4	71
129242-55740	21	29
129400-77640	17	19
129410-03990	4	76
129418-18320	6	6
	20	
129466-49300	11	17
129470-77340	18	21
129472-18090	9	2
	22	22
129640-13580	21	10
129640-13590	21	9
129795-11180	4	13
129900-01200	1	28

Parts No.	Fig. No.	Ref. No.
129900-01250	1	4
129900-02020	1	6
129900-02410	1	9
129900-07900	4	83
129900-11110	4	11
129900-11120	4	12
129900-11200	4	22
129900-11240	4	23
129900-11280	4	26
129900-11510	4	27
129900-11520	4	28
129900-11530	4	39
129900-11650	4	29
129900-11660	4	33
129900-14400	8	2
129900-21220	10	3
129900-21600	10	14
129900-23001	10	24
129900-23200	10	27
129900-23911	10	30
129900-32030	2	3
	11	24
	22	24
129900-32040	2	4
	22	25
129900-42020	13	1
	22	28
129900-49870	13	30
	22	32
129907-03061	4	48
129907-03070	4	51
129907-52100	21	18
129908-21100	10	1
129908-32060	2	5
129908-39410	12	19
129908-39690	12	15
	22	27
129916-01790	3	6
129916-01800	2	14
129916-21610	10	7
129916-49530	13	22
129923-77250	18	20
129923-77300	18	25
129923-77370	18	22
129927-02340	1	33
129927-02930	1	25
129927-02940	1	36
129927-13810	6	29
	22	16
129927-23600	10	28

Parts No.	Fig. No.	Ref. No.
129927-23610	10	31
129927-25110	8	15
129927-25920	8	31
129927-42140	2	6
129927-44900	13	20
129928-49420	13	21
		36
129930-13201	7	1
	22	13
129932-42121	13	2
129935-12500	21	2
129935-12520	21	4
129948-44760	13	16
129949-33010	11	1
129949-49110	11	11
129953-35000	11	25
129956-33110	11	4
129956-49190	11	13
129956-49210	11	14
129956-49230	11	16
129960-03990	13	39
		42
		46
129960-21930	10	9
	22	23
129960-21940	10	10
129974-39830	12	16 -1
129978-03030	4	47
129978-11871	4	18
	22	6
129978-12700	4	60
129978-13330	6	8
129978-13411	6	15
	22	14
129978-17700	7	38
129981-44740	13	15
129A00-11330	4	58
129A00-11340	4	15
	22	5
129A00-12711	4	79
129A00-12721	5	5
129A00-12780	4	61
	22	8
129A00-12790	4	80
	22	9
129A00-12820	5	31
129A00-12910	5	33
		35
	22	11
129A00-13350	6	11

## Parts No. Index

Parts No.	Fig. No.	Ref. No.	Parts No.	Fig. No.	Ref. No.	Parts No.	Fig. No.	Ref. No.	Parts No.	Fig. No.	Ref. No.
129A00-13350	7	28	129C01-16400	7	12	129E00-22050	10	18	129E20-16550	7	15
129A00-13380	6	10	129C01-16680	7	18	129E00-22950	10	35	129E20-34871	11	22
129A00-13752	6	27	129C01-16700	7	19	129E00-25050	8	14	129E20-59500	3	9
129A00-14710	8	12	129C01-16710	7	20	129E00-25060	8	22	129E20-77201	18	2
129A00-16610	7	17	129C01-16730	7	21	129E00-25080	8	32	129E20-77340	18	26
129A00-17311	7	30	129C01-16740	7	22	129E00-25121	8	23	129E20-77800	4	69
	22	20	129C01-77300	21	33	129E00-25200	8	26	129E22-17510	7	33
129A00-17520	7	34	129C28-51000	14	1	129E00-25400	8	28	129E22-17560	7	36
129A00-17570	7	37	129C28-53300	15	6	129E00-25902	8	19	129E22-17750	7	48
129A00-17760	7	39	129E00-01330	1	29	129E00-49610	13	37	129E23-49631	13	45
129A00-21710	3	14		22	2	129E00-49640	13	41	129E30-12060	4	78
129A00-51100	14	2	129E00-01580	2	12	129E00-49810	13	19	129E30-12900	5	30
129A00-51110	14	3	129E00-01620	3	2	129E00-59020	16	7	129E30-13350	6	22
129A00-51120	14	4	129E00-01850	2	15	129E00-59030	16	11	129E30-16010	7	5
129A00-51130	14	5	129E00-03010	4	45	129E00-59120	5	21	129E30-16050	7	5 -1
129A00-51200	14	6	129E00-03020	4	46	129E00-59700	15	14	129E30-18020	9	6
129A00-51900	14	7	129E00-11100	4	10	129E00-59810	15	16	129E30-21600	10	8
	22	33	129E00-11330	4	59	129E00-59820	15	17	129E30-42200	13	14
129A00-53200	15	4		22	3	129E00-59830	15	18	129E30-75060	19	1
129A00-55600	21	19	129E00-11390	20	1	129E00-59840	15	19	129E30-77121	18	1
129A00-55610	21	20	129E00-11900	4	19	129E00-77820	4	70	129E30-92610	22	1
129A00-55700	21	22	129E00-12110	5	1	129E00-91250	20	13	129E32-01560	1	1
129A00-55710	21	23		22	7	129E00-91600	20	19	129E33-35100	11	5
129A00-55720	21	27	129E00-12810	5	14	129E01-01500	2	1	129F01-13610	6	3
129A00-55730	21	28		22	10	129E01-03020	4	72	129F01-13650	6	17
129A00-55740	21	30	129E00-13110	6	2	129E01-11330	4	57			23
129A00-55751	21	24		22	12	129E01-11361	4	44	129G01-12900	5	32
129A00-55760	21	25	129E00-13400	6	14	129E01-11710	4	2	129G01-77900	21	34
129A00-55770	21	31	129E00-13610	6	16	129E01-12100	5	3	171008-77410	17	3
129A00-55800	21	21	129E00-13710	5	18	129E01-12150	5	2	171051-01921	1	5
129A00-57100	15	8	129E00-13720	5	19	129E01-12800	5	16	171056-49120	11	21
129A00-57200	15	9		22	15	129E01-12851	5	15	198220-51870	20	3
129A00-57210	15	10	129E00-13770	6	4	129E01-13101	6	1	22117-100000	21	11
129A00-59110	5	20	129E00-13800	6	28	129E01-13300	6	7	22190-080002	8	30
129A00-75910	19	9	129E00-13851	6	18	129E01-13700	5	17		12	2
129A00-77920	20	2	129E00-13861	6	19	129E01-16201	7	6			8
129A00-91200	6	5	129E00-13910	6	32	129E01-16230	7	6 -1			10
	7	42		22	17	129E01-18011	9	1		22	34
	16	15	129E00-13920	6	33	129E01-18200	5	8	22190-120002	13	27
129A00-91430	7	44		22	18	129E01-18220	5	9		22	35
129A00-91600	20	18	129E00-13960	6	34	129E01-22080	10	16	22190-140002	5	22
129A00-92750	21	36	129E00-14101	8	6	129E01-22900	10	33		22	36
129A01-18210	5	10	129E00-14581	8	3	129E01-39450	12	5	22190-220002	3	12
129C00-13860	7	3 -1	129E00-14700	8	8	129E01-39600	12	14		22	37
129C00-13870	7	4 -1	129E00-16600	7	16	129E01-39620	12	14 -1	22217-100000	21	12
129C00-13940	7	3		22	19	129E01-53100	15	1	22217-180000	8	20
129C00-13950	7	4	129E00-16801	7	23	129E01-59500	16	1	22242-000180	4	37
129C00-57000	15	7	129E00-17300	7	29	129E01-91340	20	4	22252-000300	10	23
129C00-91200	7	43	129E00-17350	7	31	129E01-91600	20	20	22351-030010	8	9
129C01-03060	4	77	129E00-21580	10	12	129E20-01700	3	8		12	26

## Parts No. Index

Parts No.	Fig. No.	Ref. No.
22351-060012	1	11
22512-070140	8	7
	10	6
22857-500100	4	63
		64
23000-025000	11	18
	12	17
23000-054000	5	11
23000-060000	5	12
23000-075000	5	13
23001-060000	4	81
23080-007000	16	4
23080-015000	16	10
23414-080000	13	31
	22	38
23414-100000	12	11
	22	39
23414-120000	6	12
	22	40
23857-030000	12	9
23875-030000	13	28
23875-040000	11	7
23876-005000	4	8
23876-030000	1	12
		13
		14
		15
23876-040000	11	8
23876-060000	11	9
24311-000070	2	7
	22	41
24311-000120	4	67
	22	42
24311-000320	2	11
	4	68
	22	43
24314-000200	11	19
24316-000180	4	65
24321-000600	11	20
	22	44
26106-060122	20	21
26106-060142	5	23
26106-060162	4	82
	7	40
	12	18
26106-060202	5	36
	13	29
26106-060302	13	11
26106-060452	5	34
26106-060902	5	37

Parts No.	Fig. No.	Ref. No.
26106-080122	3	13
	11	30
	12	3
		12
	13	32
	16	6
	20	22
		23
		24
		25
26106-080142	7	24
	8	10
	18	23
26106-080162	2	8
		18
		19
	4	84
	6	13
	7	49
	13	17
26106-080202	6	21
	7	41
26106-080252	15	11
26106-080302	14	8
26106-080352	4	21
	5	24
26106-080402	2	20
26106-080452	2	9
	5	6
	8	27
	18	31
26106-080502	8	18
26106-080552	5	7
	13	12
26106-080602	13	33
26106-080702	2	21
26106-080752	5	26
26106-080902	5	27
26106-081004	18	29
26106-100202	7	46
26106-100222	7	25
26106-100252	6	30
26106-100452	13	18
26106-100602	6	36
26106-100652	4	40
	21	13
26106-120252	17	27
26206-100352	3	4
26206-100952	3	5
26216-060202	5	4

Parts No.	Fig. No.	Ref. No.
26216-060202	5	25
26216-081002	5	28
26306-080002	5	29
	6	26
		31
	7	26
		47
	9	4
	18	30
26306-100002	4	41
	18	24
26366-060002	15	20
26450-060162	3	15
	4	66
	8	13
26557-040102	17	26
26557-050082	4	49
26577-040162	4	38
26577-060122	8	11
26587-050102	4	50
26706-100002	21	14
26776-180002	8	21
27241-300000	1	10
27241-400000	4	9
27310-080001	4	16
29621-200000	20	26
720445-44200	21	15
729927-02800	1	30

Parts No.	Fig. No.	Ref. No.
-----------	----------	----------