

0CD50-M05380EN

# P R E F A C E

This parts catalog is the 1st edition of 4TNV98C-STX.

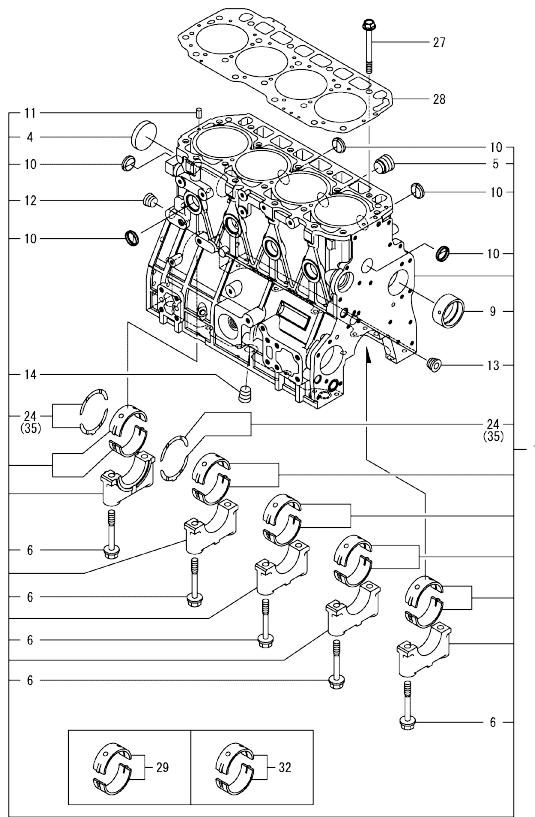
Published : October, 2019

## Contents

OCD50-M05380

Fig. No.	Fig. Name	Fig. No.	Fig. Name
ENGINE			
1.	CYLINDER BLOCK		
2.	GEAR HOUSING		
3.	FLYWHEEL HOUSING & OIL SUMP		
4.	CYLINDER HEAD & BONNET		
5.	SUCTION MANIFOLD		
6.	EXHAUST MANIFOLD		
7.	DIESEL PARTICULATE FILTER(DPF)		
8.	CAMSHAFT & DRIVING GEAR		
9.	CRANKSHAFT & PISTON		
10.	LUB. OIL SYSTEM		
11.	COOLING WATER SYSTEM		
12.	FUEL SUPPLY PUMP		
13.	FUEL INJECTION VALVE		
14.	FUEL PIPE		
15.	STARTER MOTOR		
16.	GENERATOR		
17.	ELECTRONIC CONTROL UNIT(ECU)		
18.	ELECTRIC PARTS		
19.	ACCESSORY		

Fig.1. CYLINDER BLOCK



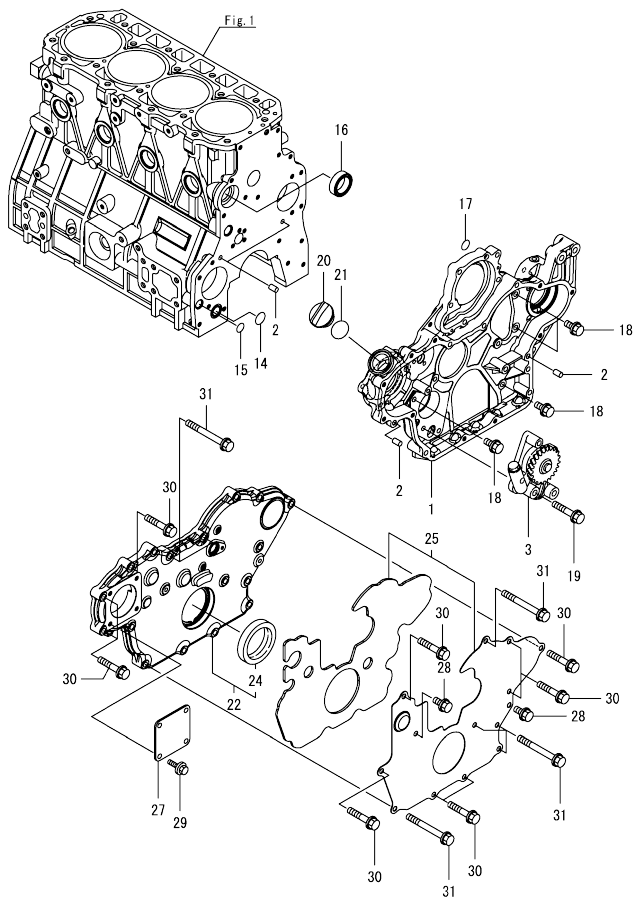
(A)=4TNV98C-STX  
(B)=  
(C)=

(D)=  
(E)=  
(F)=

No.	Lev.	Parts No.	Description	Q'ty						I	R
				(A)	(B)	(C)	(D)	(E)	(F)		
1	1	129E00-01570	BLOCK ASSY, CYLINDER	1							
4	2	129900-01250	PLUG, 55	1							
5	2	171051-01921	PLUG, NPTF1	1							
6	2	129900-02020	BOLT, METAL CAP	10							
9	2	129900-02410	BUSH, CAMSHAFT	1							
10	2	27241-300000	PLUG 30	8							
11	2	22351-060012	PIN, SPRING 6.0X12	2							
12	2	23876-030000	PLUG, R03	1							
13	2	23876-030000	PLUG, R03	1							
14	2	23876-030000	PLUG, R03	1							
24	2	129927-02930	BEARING ASSY, THRUST	2							
27	1	129900-01200	BOLT, CYLINDER HEAD	18							
28	1	129E00-01330	GASKET, HEAD	1							
29	1	729927-02800	BEARING ASSY, MAIN	5							1
32	1	129927-02340	BEARING ASSY, MAIN US	5							2
35	1	129927-02940	BEARING, THRUST 0.25OS	2							3

Remarks  
(1) Spare parts.  
(2) Under-sized (U.S.=0.25) parts.  
(3) Over-sized (O.S.=0.25) parts.

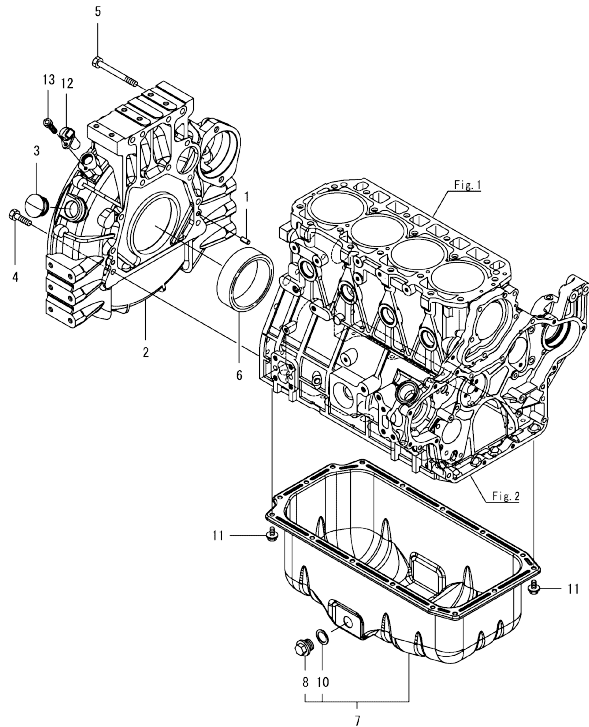
Fig.2. GEAR HOUSING



No.	Lev.	Parts No.	Description	Q'ty					
				(A)	(B)	(C)	(D)	(E)	(F)
1	1	129E00-01500	CASE, GEAR	1					
2	1	129100-01580	PIN, PARALLEL 8X16	4					
3	1	129900-32001	PUMP ASSY, OIL	1					
14	1	129900-32030	O-RING, P20	1					
15	1	129900-32040	O-RING, P14	1					
16	1	129927-42140	GASKET, PUMP OUTLET	1					
17	1	24311-000070	O-RING, 1AP7.0	1					
18	1	26106-080162	BOLT, M8X 16 PLATED	4					
19	1	26106-080452	BOLT, M8X 45 PLATED	3					
20	1	124160-01751	CAP, FILLER	1					
21	1	24311-000320	O-RING, 1AP32.0	1					
22	1	129E00-01580	COVER ASSY, CASE	1					
24	2	129916-01800	SEAL, OIL	1					
25	1	129E00-01850	COVER ASSY, CASE	1					
27	1	124240-01871	COVER, HYDRAULIC PUMP	1					
28	1	26106-080162	BOLT, M8X 16 PLATED	2					
29	1	26106-080162	BOLT, M8X 16 PLATED	4					
30	1	26106-080402	BOLT, M8X 40 PLATED	10					
31	1	26106-080702	BOLT, M8X 70 PLATED	7					

N:Old  $\frac{New}{Old}$  New, Q:Old  $\frac{New}{Old}$  New, R:Old  $\frac{New}{Old}$  New, S:Old  $\frac{New}{Old}$  New, W:Add, Z:Discontinued, F:Interchangeable by set, K:Q'ty Change  
 Copyright (C) 2019 YANMAR GLOBAL CS CO., LTD. All Rights Reserved.

Fig.3. FLYWHEEL HOUSING & OIL SUMP



(A)=4TNV98C-STX  
(B)=  
(C)=

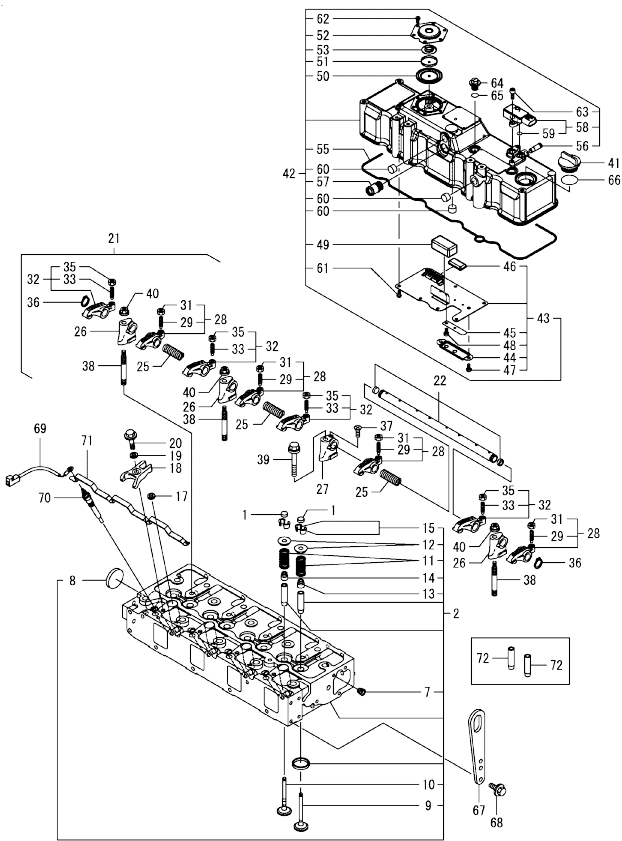
(D)=  
(E)=  
(F)=

No.	Lev.	Parts No.	Description	Q'ty						I	R
				(A)	(B)	(C)	(D)	(E)	(F)		
1	1	129100-01580	PIN, PARALLEL 8X16	2							
2	1	129E00-01620	HOUSING, FLYWHEEL	1							
3	1	119620-01750	CAP, WHEEL COVER	1							
4	1	26206-100352	BOLT, M10X 35 PLATED	9							
5	1	26206-100952	BOLT, M10X 95 PLATED	4							
6	1	129916-01790	SEAL, D115/95XT11	1							
7	1	129982-01710	OIL PAN ASSY	1							
8	2	119640-01640	PLUG, DRAIN M22	1							
10	2	22190-220002	WASHER, SEAL 22	1							
11	1	26106-080122	BOLT, M8X 12 PLATED	16							
12	1	129A00-21710	SENSOR, FLYWHEEL	1							1
13	1	26450-060162	BOLT, M6X 16	1							

Remarks

(1)When replacing this part, it is necessary to update the software of the ECU using the designated service tool. Please refer to the Service Manual for details.

Fig.4. CYLINDER HEAD & BONNET



(A)=4TNV98C-STX  
(B)=  
(C)=

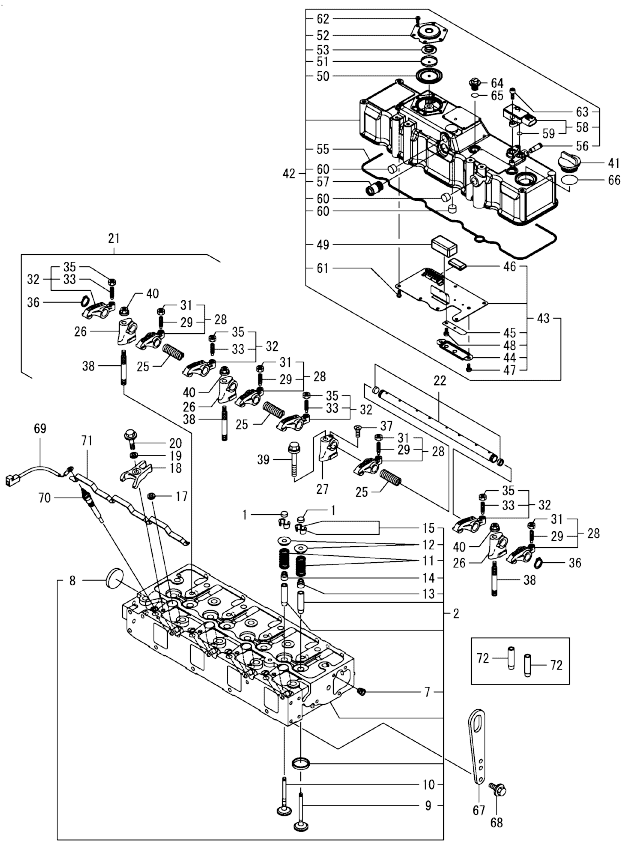
(D)=  
(E)=  
(F)=

No.	Lev.	Parts No.	Description	Q'ty						I	R
				(A)	(B)	(C)	(D)	(E)	(F)		
1	1	129150-11370	CAP, VALVE	8							
2	1	129E00-11720	HEAD ASSY, CYLINDER	1							
7	2	23876-005000	PLUG, R005	1							
8	2	27241-400000	PLUG, 40	1							
9	2	129E00-11100	VALVE, INTAKE	4							
10	2	129900-11110	VALVE, EXHAUST	4							
11	2	129900-11120	SPRING, VALVE	8							
12	2	129795-11180	RETAINER, SPRING	8							
13	2	124460-11340	SEAL, VALVE STEM	4							
14	2	129A00-11340	SEAL, VALVE STEM	4							
15	2	27310-080001	COTTER, 8	8							
17	1	129978-11871	GASKET, INJECTOR	4							
18	1	129E00-11900	RETAINER, INJECTOR	4							
19	1	120270-54410	WASHER, INJECTOR	4							
20	1	26106-080352	BOLT, M8X 35 PLATED	4							
21	1	129900-11200	SUPPORT ASSY, ROCKER	1							
22	2	129900-11240	SHAFT ASSY, ROCKER	1							
25	2	129900-11280	SPRING, SHAFT	3							
26	2	129900-11510	SUPPORT, ROCKER A	3							
27	2	129900-11520	SUPPORT, ROCKER B	1							
28	2	129900-11650	ARM ASSY, ROCKER INT	4							
29	3	129150-11230	SCREW, VALVE ADJUST	4							
31	3	129150-11750	NUT, M8XP1.0	4							
32	2	129900-11660	ARM ASSY, ROCKER EXH	4							
33	3	129150-11230	SCREW, VALVE ADJUST	4							
35	3	129150-11750	NUT, M8XP1.0	4							
36	2	22242-000180	RING, 18	2							
37	2	26577-040162	SCREW, M4X16	1							
38	1	129900-11530	BOLT, SUPPORT	3							
39	1	26106-100652	BOLT, M10X 65 PLATED	1							
40	1	26306-100002	NUT, M10	3							
41	1	124160-01751	CAP, FILLER	1							
42	1	129E00-11360	BONNET ASSY, HEAD	1							
43	2	129E00-03010	PLATE, BAFFLE	1							
44	3	129E00-03020	COVER, PLATE SPRING	1							
45	3	129978-03030	SPRING, PLATE	1							
46	3	129907-03061	BAFFLE, BREATHER	1							
47	3	26557-050082	SCREW, M5X 8	2							
48	3	26587-050102	SCREW, M5X10	1							
49	2	129907-03070	BAFFLE, BREATHER	1							
50	2	123907-03100	DIAPHRAGM, BREATHER	1							
51	2	123907-03110	PLATE, CENTER	1							
52	2	123907-03120	PLATE, BREATHER	1							
53	2	123907-03140	SPRING, DIAPHRAGM	1							
55	2	129E00-11330	GASKET, BONNET	1							
56	2	129A00-11330	JOINT	1							
57	2	129001-11340	PIPE, BREATHER	1							
58	2	129978-12700	SENSOR, PRESSURE	1							1
59	3	129A00-12780	O-RING, EGR SENSOR	2							
60	2	119640-61400	PLUG	3							
61	2	22857-500100	SCREW, 5X10	7							

Remarks

- (1)When replacing this part, it is necessary to update the software of the ECU using the designated service tool. Please refer to the Service Manual for details.
- (2)Spare parts.

Fig.4. CYLINDER HEAD & BONNET



(A)=4TNV98C-STX  
(B)=  
(C)=

(D)=  
(E)=  
(F)=

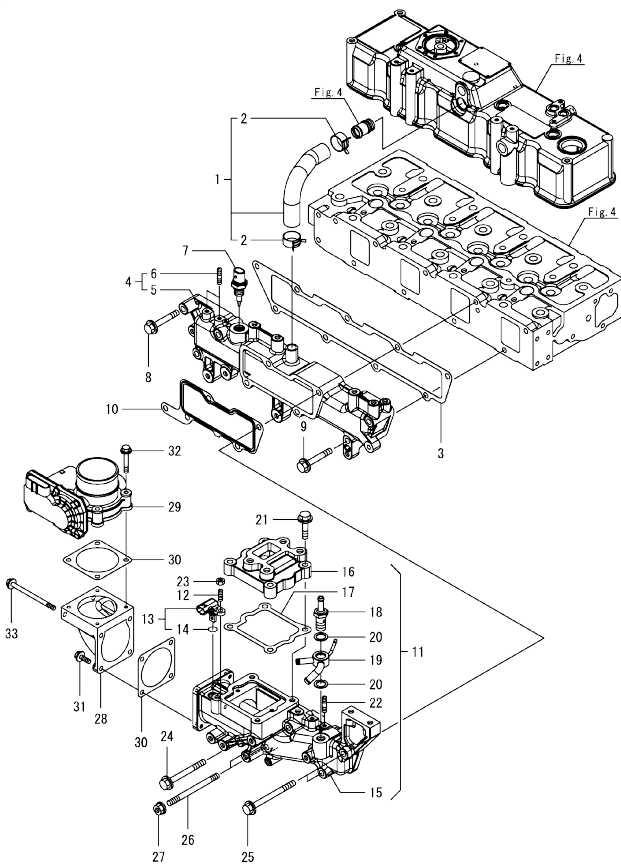
No.	Lev.	Parts No.	Description	Q'ty						I	R
				(A)	(B)	(C)	(D)	(E)	(F)		
62	2	22857-500100	SCREW, 5X10	6							
63	2	26450-060162	BOLT, M6X 16	2							
64	1	124160-11360	KNOB, BONNET	3							
65	1	24311-000120	O-RING, 1AP12.0	3							
66	1	24311-000320	O-RING, 1AP32.0	1							
67	1	129900-07900	LIFTER, ENGINE	1							
68	1	26106-080162	BOLT, M8X 16 PLATED	2							
69	1	119803-77830	HARNESS, WIRE	1							
70	1	129008-77800	PLUG, GLOW	4							
71	1	129E00-77820	CONNECTOR, GLOW PLUG	1							
72	1	129150-11810	GUIDE, VALVE	8							2

Remarks

- (1)When replacing this part, it is necessary to update the software of the ECU using the designated service tool. Please refer to the Service Manual for details.
- (2)Spare parts.



Fig.5. SUCTION MANIFOLD



(A)=4TNV98C-STX  
(B)=  
(C)=

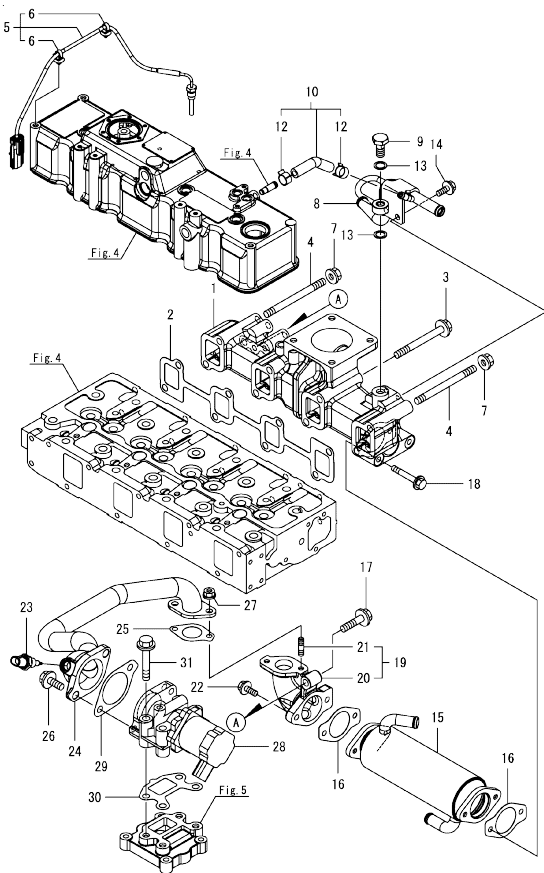
(D)=  
(E)=  
(F)=

No.	Lev.	Parts No.	Description	Qty						I	R
				(A)	(B)	(C)	(D)	(E)	(F)		
1	1	129005-03080	HOSE ASSY, BREATHER	1							
2	2	129410-03990	CLAMP, HOSE 21.5	2							
3	1	129E00-12110	GASKET, MANIFOLD	1							
4	1	129E00-12151	MANIFOLD ASSY,INTAKE	1							
5	2	129E00-12101	MANIFOLD, INTAKE	1							
6	2	26216-060202	STUD, M6X 20	2							
7	1	129A00-12721	SENSOR,AIR TEMP	1							1
8	1	26106-080452	BOLT, M8X 45 PLATED	1							
9	1	26106-080552	BOLT, M8X 55 PLATED	4							
10	1	129E00-12810	GASKET, COLLECTOR	1							
11	1	129E00-12850	COLLECTOR ASSY	1							
12	2	119660-01570	STUD, M6X12	1							
13	2	129A00-12711	SENSOR, TEMPERATURE	1							
14	3	129A00-12790	O-RING, TEMP SENSOR	1							
15	2	129E00-12800	COLLECTOR	1							
16	2	129E00-13710	SPACER, EGR VALVE	1							
17	2	129E00-13720	GASKET, EGR-V SPACER	1							
18	2	129A00-59110	JOINT, HOSE M14	1							
19	2	129E00-59120	JOINT, HOSE 14	1							
20	2	22190-140002	WASHER, SEAL 14	2							
21	2	26106-080352	BOLT, M8X 35 PLATED	4							
22	2	26216-060202	STUD, M6X 20	2							
23	2	26716-060002	NUT, M6	1							
24	1	26106-080752	BOLT, M8X 75 PLATED	1							
25	1	26106-080902	BOLT, M8X 90 PLATED	2							
26	1	26216-081002	STUD, M8X100	2							
27	1	26306-080002	NUT, M8	2							
28	1	129A00-12820	BEND, INTAKE	1							
29	1	129A00-12900	THROTTLE, INTAKE	1							1
30	1	129A00-12910	GASKET, THROTTLE	2							
31	1	26106-060202	BOLT, M6X 20 PLATED	2							
32	1	26106-060402	BOLT, M6X 40 PLATED	4							
33	1	26106-060902	BOLT, M6X 90 PLATED	2							

Remarks

(1)When replacing this part, it is necessary to update the software of the ECU using the designated service tool. Please refer to the Service Manual for details.

Fig.6. EXHAUST MANIFOLD



(A)=4TNV98C-STX  
(B)=  
(C)=

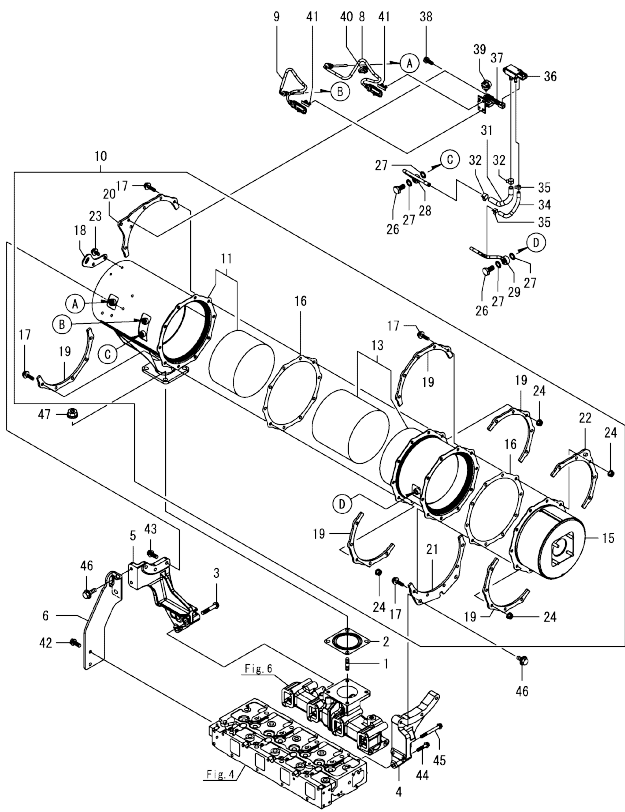
(D)=  
(E)=  
(F)=

No.	Lev.	Parts No.	Description	Qty						I	R
				(A)	(B)	(C)	(D)	(E)	(F)		
1	1	129E00-13101	MANIFOLD, EXHAUST	1							
2	1	129E00-13110	GASKET, MANIFOLD	1							
3	1	129F01-13610	BOLT, M10X95 10.9T	6							
4	1	129A01-13710	STUD, M10X95 10.9T	2							1
5	1	129E00-13770	SENSOR, TEMPERATURE	1							
6	2	129A00-91200	CLIP, BAND	2							
7	1	26306-100002	NUT, M10	2							
8	1	129E00-13300	PIPE, PRESSURE	1							
9	1	129A00-13350	BOLT, PIPE JOINT	1							
10	1	129E00-13360	HOSE ASSY, PRESSURE	1							
12	2	129A00-13380	CLIP, HOSE 14	2							
13	1	23414-120000	GASKET, 12X1.0	2							
14	1	26106-080162	BOLT, M8X 16 PLATED	2							
15	1	129E00-13400	COOLER, EGR	1							
16	1	129E00-13410	GASKET, EGR COOLER	2							
17	1	129F01-13650	BOLT, M10X40 10.9T	1							
18	1	129E00-13610	BOLT, M8X50 10.9	2							
19	1	129E00-13851	BEND, COOLER OUTLET	1							
20	2	129E00-13861	BEND, COOLER OUTLET	1							
21	2	129418-18320	STUD, M8X20	2							
22	1	26106-080202	BOLT, M8X 20 PLATED	2							
23	1	129A00-13752	SENSOR,EGR GAS TEMP	1							1
24	1	129E00-13800	PIPE ASSY, EGR	1							
25	1	129927-13810	GASKET, EGR PIPE	1							
26	1	26106-100252	BOLT, M10X 25 PLATED	2							
27	1	26306-080002	NUT, M8	2							
28	1	129E00-13901	VALVE, EGR	1							1
29	1	129E00-13910	GASKET, EGR-V INLET	1							
30	1	129E00-13920	GASKET, EGR-V OUTLET	1							
31	1	26106-100602	BOLT, M10X 60 PLATED	4							

Remarks

(1)When replacing this part, it is necessary to update the software of the ECU using the designated service tool. Please refer to the Service Manual for details.

Fig.7. DIESEL PARTICULATE FILTER(DPF)



(A)=4TNV98C-STX  
(B)=  
(C)=

(D)=  
(E)=  
(F)=

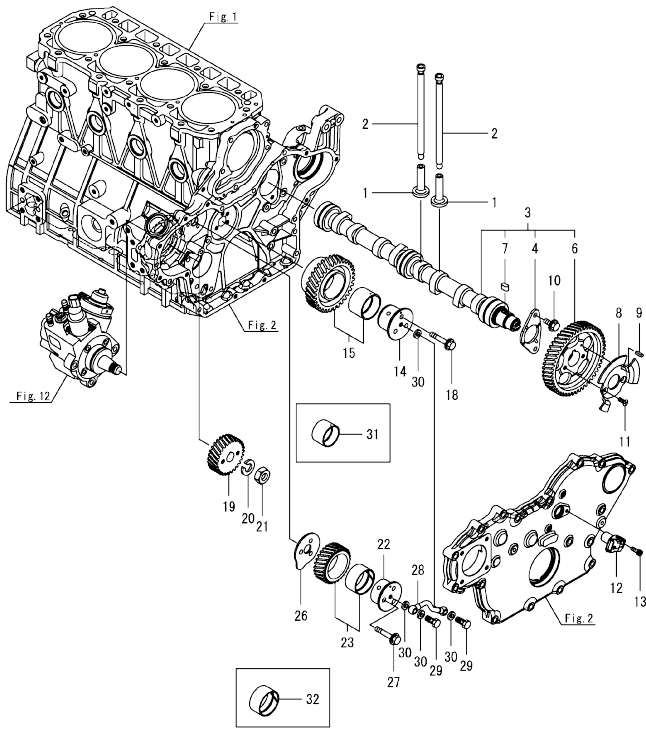
No.	Lev.	Parts No.	Description	(A)	(B)	(C)	(D)	(E)	(F)	I	R
1	1	123900-13130	STUD, M10X22	4							
2	1	128300-13230	GASKET, SILENCER	1							
3	1	129E00-13601	BOLT, M10X55 10.9T	3							
4	1	129E00-16810	STAY, DPF	1							
5	1	129E00-16820	STAY, DPF	1							
5-1	1	129E20-16830	STAY, DPF	1							N
(A=ED7482)											
6	1	129E00-16830	STAY, DPF	1							
8	1	129C00-13940	SENSOR, EXH. TEMP.	1							1
8-1	1	129C00-13860	SENSOR, ATD TEMP.DS+	1							N 1
(A=EC5048)											
9	1	129C00-13950	SENSOR, EXH. TEMP.	1							1
9-1	1	129C00-13870	SENSOR, ATD TEMP.DS+	1							N 1
(A=EC5048)											
10	1	129E00-16010	DPF ASSY	1							1
10-1	1	129E00-16020	DPF ASSY	1							N 1
(A=EC5048)											
11	2	129E00-16210	CASE, DOC	1							1
11-1	2	129E00-16220	CASE, DOC	1							N 1
(A=EC5048)											
13	2	129E00-16410	CASE, SOOT FILTER	1							1
15	2	129E00-16510	SILENCER, DPF	1							
16	2	129E00-16600	GASKET, DPF	2							
17	2	129A00-16610	BOLT, M8X28 10.9T	20							
18	2	129C01-16680	LIFTER, DPF	1							
19	2	129C01-16700	STIFFENER, DPF A	5							
20	2	129E00-16700	STIFFENER, DPF C	1							
21	2	129E00-16720	STIFFENER, DPF B	1							
22	2	129C01-16740	STIFFENER, DPF C	1							
23	2	26106-080142	BOLT, M8X 14 PLATED	2							
24	2	26306-080002	NUT, M8	20							
26	1	129A00-13350	BOLT, PIPE JOINT	2							
27	1	129A00-17311	GASKET, SENSOR	4							
28	1	129E00-17310	PIPE ASSY, PRESSURE	1							
29	1	129E00-17360	PIPE ASSY, PRESSURE	1							
31	1	129A00-17501	HOSE, PRESSURE	1							
32	1	129A00-17520	CLIP, HOSE	2							
34	1	129E23-17560	HOSE, PRESSURE	1							
35	1	129A00-17570	CLIP, HOSE	2							
36	1	129978-17700	SENSOR, PRESSURE	1							1
37	1	129A00-17780	BRACKET, SENSOR	1							
38	1	26106-080202	BOLT, M8X 20 PLATED	2							
39	1	129A00-91200	CLIP, BAND	1							
40	1	129C00-91200	BAND	1							
41	1	129A00-91430	CLIP, CONNECTOR	2							
42	1	26106-080162	BOLT, M8X 16 PLATED	2							
43	1	26106-080352	BOLT, M8X 35 PLATED	3							
44	1	26106-080352	BOLT, M8X 35 PLATED	2							
45	1	26106-080752	BOLT, M8X 75 PLATED	1							
46	1	26106-100202	BOLT, M10X 20 PLATED	5							
47	1	26306-100002	NUT, M10	4							

Remarks

(1)When replacing this part, it is necessary to update the software of the ECU using the designated service tool. Please refer to the Service Manual for details.

N:Old  $\frac{100}{100}$  New, Q:Old  $\frac{100}{100}$  New, R:Old  $\frac{100}{100}$  New, S:Old  $\frac{100}{100}$  New, W:Add, Z:Discontinued, F:Interchangeable by set, K:Qty Change  
Copyright (C) 2019 YANMAR GLOBAL CS CO., LTD. All Rights Reserved.

Fig.8. CAMSHAFT & DRIVING GEAR



(A)=4TNV98C-STX  
(B)=  
(C)=

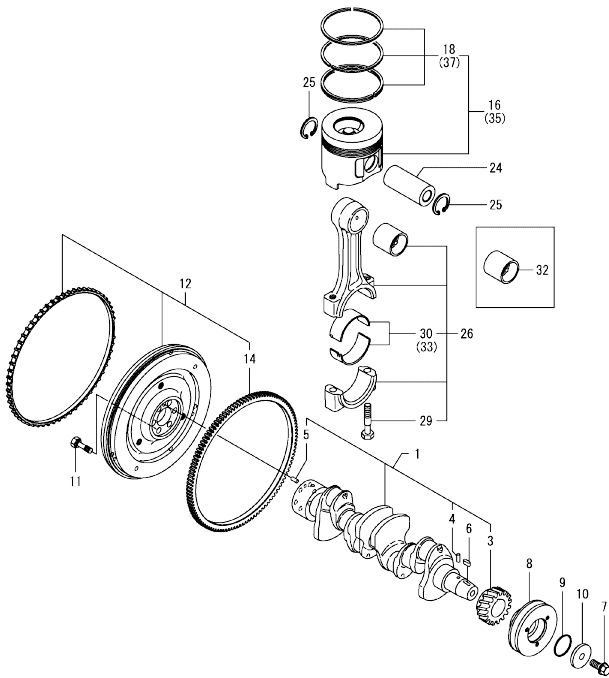
(D)=  
(E)=  
(F)=

No.	Lev.	Parts No.	Description	Qty						I	R
				(A)	(B)	(C)	(D)	(E)	(F)		
1	1	129150-14200	TAPPET	8							
2	1	129900-14400	ROD, PUSH	8							
3	1	129E00-14581	CAMSHAFT ASSY	1							
4	2	129150-02450	METAL, THRUST	1							
6	2	129E00-14101	GEAR, CAMSHAFT	1							
7	2	22512-070140	KEY, 7X 14	1							
8	1	129E00-14700	PULSER, CAM GEAR	1							
9	1	22351-030010	PIN, SPRING 3.0X10	1							
10	1	26106-080142	BOLT, M8X 14 PLATED	2							
11	1	26577-060122	SCREW, M6X12	2							
12	1	129A00-14710	SENSOR, ROTATION	1							
13	1	26450-060162	BOLT, M6X 16	1							
14	1	129E00-25050	SHAFT, IDLE GEAR A	1							
15	1	129927-25110	GEAR ASSY, IDLE	1							
18	1	26106-080502	BOLT, M8X 50 PLATED	3							
19	1	129E00-25902	GEAR, SUPPLY PUMP	1							
20	1	22217-180000	WASHER, SPRING 18	1							
21	1	26776-180002	NUT, LOCK M18	1							
22	1	129E00-25060	SHAFT, IDLE GEAR B	1							
23	1	129E00-25121	GEAR ASSY, IDLE B	1							
26	1	129E00-25200	PLATE, IDLE SHAFT B	1							
27	1	26106-080452	BOLT, M8X 45 PLATED	3							
28	1	129E00-25400	PIPE ASSY, OIL	1							
29	1	105010-39140	BOLT, PIPE JOINT M8	2							
30	1	22190-080002	WASHER, SEAL 8	4							
31	1	129927-25920	BUSH, IDLE GEAR	1							1
32	1	129E00-25080	BUSH, IDLE GEAR B	1							1

Remarks

(1)Spare parts.

Fig.9. CRANKSHAFT & PISTON



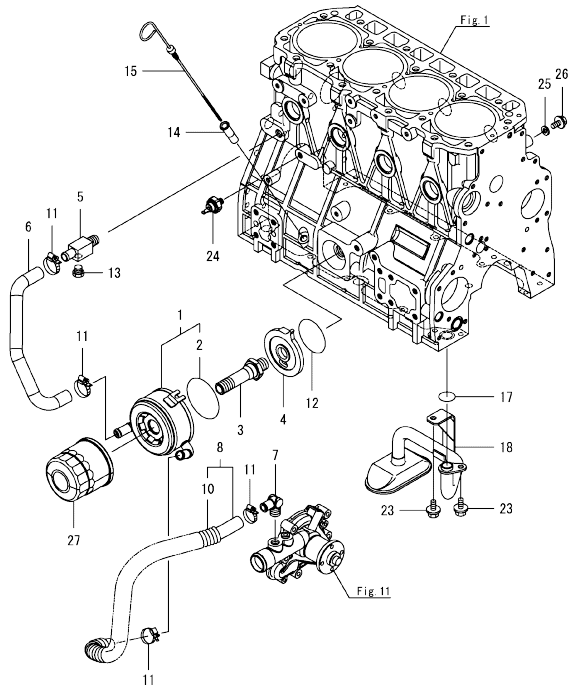
(A)=4TNV98C-STX  
(B)=  
(C)=

(D)=  
(E)=  
(F)=

No.	Lev.	Parts No.	Description	Q'ty						I	R
				(A)	(B)	(C)	(D)	(E)	(F)		
1	1	129902-21050	CRANKSHAFT ASSY	1							
3	2	129900-21220	GEAR, CRANKSHAFT	1							
4	2	121850-21290	PIN, CRANK GEAR	1							
5	2	121850-21920	PIN, PARALLEL 10X22	1							
6	1	22512-070140	KEY, 7X 14	1							
7	1	129916-21610	BOLT, V-PULLEY	1							
8	1	129944-21650	V-PULLEY, CRANKSHAFT	1							
9	1	129960-21950	PACKING, WASHER	1							
10	1	129960-21940	WASHER, V-PULLEY	1							
11	1	121850-21130	BOLT, FLYWHEEL	6							
12	1	129E22-21580	FLYWHEEL ASSY	1							
14	2	129900-21600	GEAR, RING	1							
16	1	129E00-22080	PISTON ASSY	4							
18	2	129E00-22050	RING SET, PISTON	4							
24	1	120130-22301	PIN, PISTON	4							
25	1	22252-000300	RING, 30	8							
26	1	129900-23001	ROD ASSY, CONNECTING	4							
29	2	129900-23200	BOLT, CONNECTING ROD	8							
30	2	129927-23600	BEARING ASSY, PIN	4							
32	1	129900-23911	METAL, PISTON PIN	4							1
33	1	129927-23610	BEARING ASSY, PIN US	4							2
35	1	129E00-22900	PISTON ASSY, 0.25 OS	4							3
37	2	129E00-22950	RING SET, PISTON .25	4							3

Remarks  
(1)Spare parts.  
(2)Under-sized(U.S.=0.25) parts.  
(3)Over-sized(O.S.=0.25) parts.

Fig.10. LUB. OIL SYSTEM



(A)=4TNV98C-STX  
(B)=  
(C)=

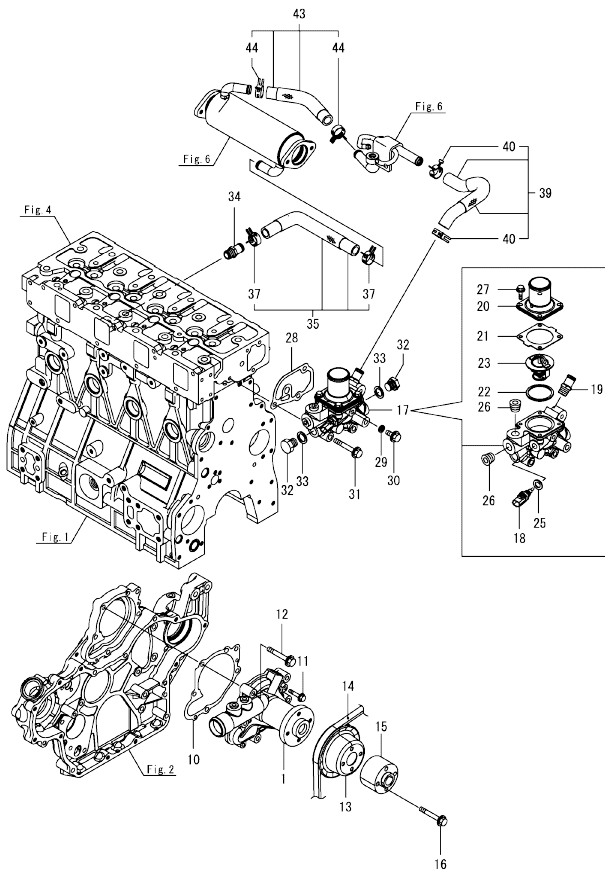
(D)=  
(E)=  
(F)=

No.	Lev.	Parts No.	Description	Q'ty						I	R
				(A)	(B)	(C)	(D)	(E)	(F)		
1	1	129908-33010	COOLER ASSY, OIL	1							
2	2	123912-33050	O-RING	1							
3	1	123912-33100	BOLT, COOLER	1							
4	1	129908-33101	BRACKET, COOLER	1							
5	1	129006-44480	JOINT, R02	1							
6	1	129908-49060	HOSE, WATER	1							
7	1	129466-49300	ELBOW, PT3/8	1							
8	1	123910-49600	HOSE ASSY WATER	1							
10	2	123910-49610	TUBE, CORRUGATED	1							
11	1	23000-025000	CLAMP, 25	4							
12	1	24321-000600	O-RING, 1AG60.0	1							
13	1	171056-49120	PLUG, DRAIN R1/4	1							
14	1	121520-34810	GUIDE, DIPSTICK	1							
15	1	129953-34830	DIPSTICK, OIL	1							
17	1	129900-32030	O-RING, P20	1							
18	1	129953-35000	PIPE ASSY, OIL INLET	1							
23	1	26106-080122	BOLT, M8X 12 PLATED	2							
24	1	119761-39450	SWITCH, HYDRAULIC	1							
25	1	22190-080002	WASHER, SEAL 8	1							
26	1	26106-080122	BOLT, M8X 12 PLATED	1							
27	1	129150-35170	FILTER ASSY, D80X80L	1							1

Remarks

(1)Spare parts.

Fig.11. COOLING WATER SYSTEM



(A)=4TNV98C-STX  
(B)=  
(C)=

(D)=  
(E)=  
(F)=

No.	Lev.	Parts No.	Description	Q'ty						I	R
				(A)	(B)	(C)	(D)	(E)	(F)		
1	1	129932-42121	PUMP ASSY, CW	1							
10	1	129900-42020	GASKET, WATER PUMP	1							
11	1	26106-060302	BOLT, M6X 30 PLATED	2							
12	1	26106-080552	BOLT, M8X 55 PLATED	5							
13	1	123957-42451	V-PULLEY, PUMP	1							
14	1	129940-42240	V-BELT, B44	1							
15	1	123910-44771	SPACER, FAN 50MM	1							
16	1	26106-100702	BOLT, M10X 70 PLATED	4							
17	1	129E00-49810	CASE ASSY,THERMOSTAT	1							
18	2	129927-44900	SENSOR, TEMPERATURE	1							1
19	2	129928-49420	JOINT	1							
20	2	129916-49530	COVER, THERMOSTAT	1							
21	2	121850-49540	GASKET, THERMOSTAT	1							
22	2	121850-49550	GASKET, THERMOSTAT	1							
23	2	121850-49801	THERMOSTAT, 82C	1							
25	2	22190-120002	WASHER, SEAL 12	1							
26	2	23875-030000	PLUG, R03	2							
27	2	26106-060202	BOLT, M6X 20 PLATED	4							
28	1	129900-49870	GASKET, THERMOSTAT	1							
29	1	23414-080000	GASKET, 8X1.0	1							
30	1	26106-080122	BOLT, M8X 12 PLATED	1							
31	1	26106-080602	BOLT, M8X 60 PLATED	3							
32	1	121450-42450	PLUG, M16	2							
33	1	124465-44950	GASKET, 16	2							
34	1	129928-49420	JOINT	1							
35	1	129E00-49610	HOSE, COOLER INLET	1							
37	2	129960-03990	CLAMP, HOSE 19.8	2							
39	1	129E00-49630	HOSE, COOLER OUT B	1							
40	2	129960-03990	CLAMP, HOSE 19.8	2							
43	1	129E00-49640	HOSE, COOLER OUT A	1							
44	2	129960-03990	CLAMP, HOSE 19.8	2							

Remarks

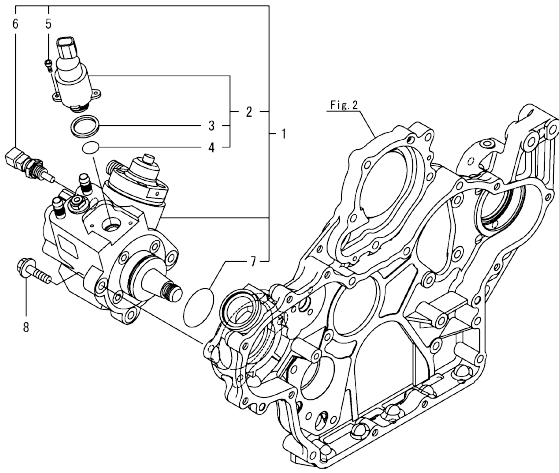
(1)When replacing this part, it is necessary to update the software of the ECU using the designated service tool.

Fig.12. FUEL SUPPLY PUMP

(A)=4TNV98C-STX  
(B)=  
(C)=

(D)=  
(E)=  
(F)=

No.	Lev.	Parts No.	Description	Q'ty						I	R
				(A)	(B)	(C)	(D)	(E)	(F)		
1	1	129C28-51000	PUMP ASSY, FUEL	1							1
2	2	129A00-51100	VALVE ASSY	1							1
3	3	129A00-51110	RING, SEAL	1							
4	3	129A00-51120	O-RING, MPROP	1							
5	2	129A00-51130	BOLT, MPROP	2							
6	2	129A00-51200	SENSOR, TEMPERATURE	1							1
7	2	129A00-51900	O-RING, FUEL PUMP	1							
8	1	26106-080302	BOLT, M8X 30 PLATED	3							



Remarks

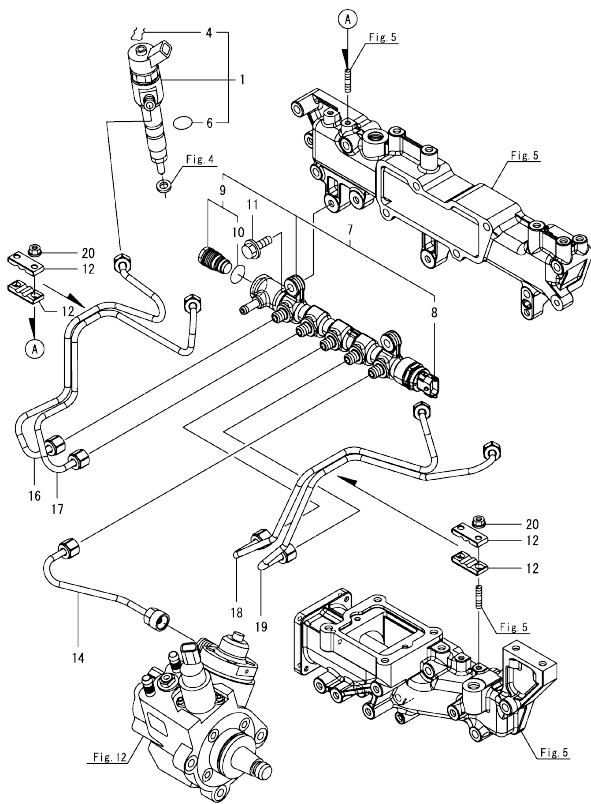
(1)When replacing this part, it is necessary to update the software of the ECU using the designated service tool. Please refer to the Service Manual for details.



Fig.13. FUEL INJECTION VALVE

(A)=4TNV98C-STX  
(B)=  
(C)=

(D)=  
(E)=  
(F)=

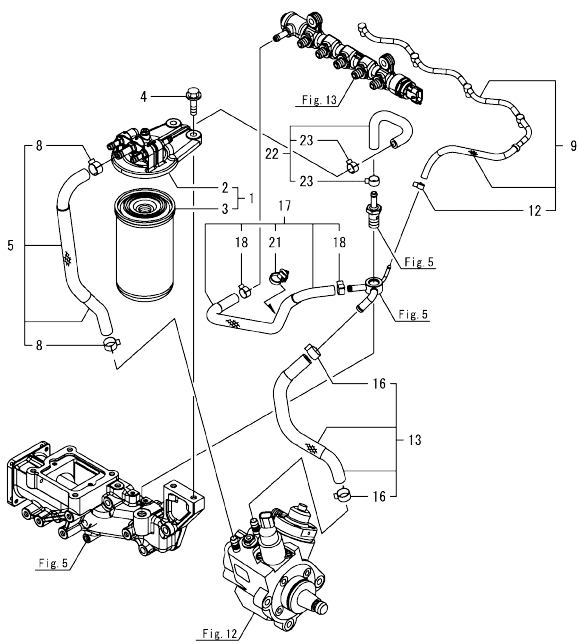


No.	Lev.	Parts No.	Description	Q'ty						I	R
				(A)	(B)	(C)	(D)	(E)	(F)		
1	1	129E00-53100	INJECTOR, CR	4							1
4	2	129A00-53200	RING, RETAINING	4							
6	2	129C28-53300	O-RING	4							
7	1	129C00-57000	COMMON RAIL ASSY	1							1
8	2	129A00-57100	SENSOR, PRESSURE	1							1
9	2	129A00-57200	VALVE ASSY, PLV4	1							1
10	3	129A00-57210	O-RING, PLV4	1							
11	1	26106-080252	BOLT, M8X 25 PLATED	2							
12	1	122780-59100	RETAINER, PIPE	4							
14	1	129E00-59700	PIPE ASSY, RAIL IN	1							
16	1	129E00-59810	PIPE, INJECTION NO.1	1							
17	1	129E00-59820	PIPE, INJECTION NO.2	1							
18	1	129E00-59830	PIPE, INJECTION NO.3	1							
19	1	129E00-59840	PIPE, INJECTION NO.4	1							
20	1	26366-060002	NUT, M6	4							

Remarks

(1)When replacing this part, it is necessary to update the software of the ECU using the designated service tool. Please refer to the Service Manual for details.

Fig.14. FUEL PIPE

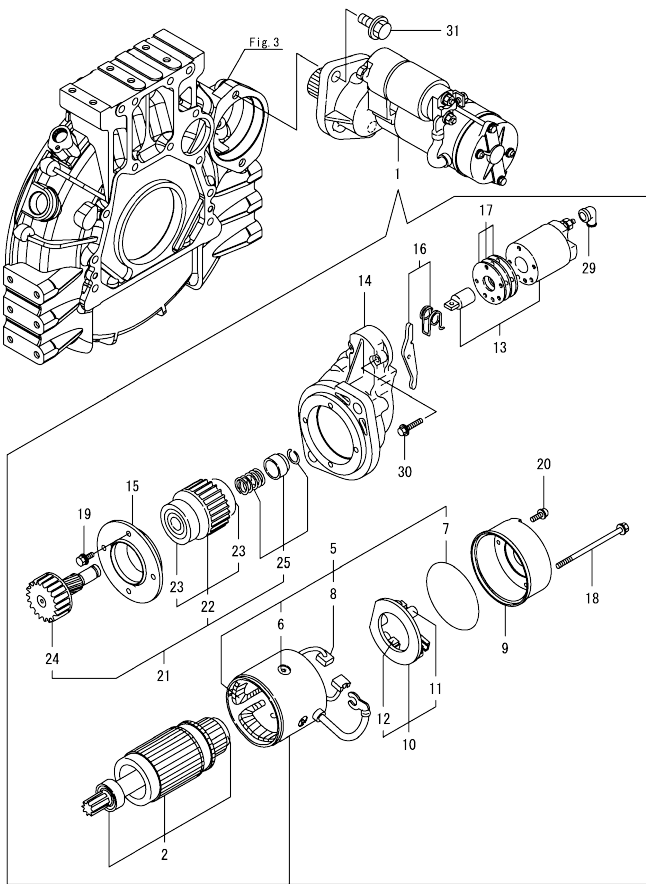


(A)=4TNV98C-STX  
(B)=  
(C)=

(D)=  
(E)=  
(F)=

No.	Lev.	Parts No.	Description	Q'ty					
				(A)	(B)	(C)	(D)	(E)	(F)
1	1	129A00-55600	FILTER ASSY, FUEL	1					
2	2	129A00-55610	BRACKET ASSY, FILTER	1					
3	2	129A00-55800	FILTER, FUEL	1					
4	1	26106-080302	BOLT, M8X 30 PLATED	2					
5	1	129E00-59010	HOSE ASSY, FUEL	1					
8	2	23080-015000	CLAMP, 15	2					
9	1	129E01-59500	PIPE ASSY, FO RETURN	1					
12	2	23080-007000	CLAMP, 7	1					
13	1	129E00-59020	HOSE ASSY, RETURN	1					
16	2	23080-015000	CLAMP, 15	2					
17	1	129E00-59030	HOSE ASSY, RETURN	1					
18	2	114270-59010	CLAMP, HOSE 12	2					
21	2	129A00-91200	CLIP, BAND	1					
22	1	129E00-59040	HOSE ASSY, RETURN	1					
23	2	114270-59010	CLAMP, HOSE 12	2					

Fig.15. STARTER MOTOR



No.	Lev.	Parts No.	Description	Qty						I	R
				(A)	(B)	(C)	(D)	(E)	(F)		
1	1	129940-77011	STARTER, 12V.3KW	1							
2	2	129940-77100	ARMATURE ASSY	1							
5	2	129940-77130	COIL ASSY, FIELD	1							
6	3	129940-77140	SCREW, CORE SET	4							
7	3	129940-77150	O-RING	1							
8	3	129940-77160	BRUSH, +	2							
9	2	129940-77171	COVER, REAR	1							
10	2	129940-77181	HOLDER ASSY, BRUSH	1							
11	3	129940-77190	SPRING, BRUSH	1							
12	3	129940-77200	BRUSH, -	2							
13	2	129940-77210	SWITCH ASSY, MAGNET	1							
14	2	129940-77221	CASE, GEAR	1							
15	2	129940-77230	RETAINER, BEARING	1							
16	2	129940-77240	LEVER SET, SHIFT	1							
17	2	129940-77250	COVER KIT, DUST	1							
18	2	129940-77260	BOLT, THROUGH	2							
19	2	129940-77270	BOLT, M6X20	4							
20	2	129940-77280	SCREW, M4	2							
21	2	123900-77510	CLUTCH ASSY, PINION	1							
22	3	123900-77520	CLUTCH ASSY	1							
23	4	X2240610100	BEARING, BALL	2							
24	3	123900-77540	SHAFT, PINION	1							
25	3	119131-77550	STOPPER SET, PINION	1							
29	2	121254-77810	COVER, TERMINAL M	1							
30	2	114371-79070	BOLT, M6	2							
31	1	26106-120252	BOLT, M12X 25 PLATED	2							

N:Old  $\frac{New}{Old}$  New, Q:Old  $\frac{New}{Old}$  New, R:Old  $\frac{New}{Old}$  New, S:Old  $\frac{New}{Old}$  New, W:Add, Z:Discontinued, F:Interchangeable by set, K:Qty Change  
 Copyright (C) 2019 YANMAR GLOBAL CS CO., LTD. All Rights Reserved.

Fig.16. GENERATOR

(A)=4TNV98C-STX  
(B)=  
(C)=

(D)=  
(E)=  
(F)=

No.	Lev.	Parts No.	Description	Q'ty						I	R
				(A)	(B)	(C)	(D)	(E)	(F)		
1	1	129908-77210	ALTERNATOR	1							
9	1	129908-77220	BOLT, STOPPER M10	1							
10	1	129908-77360	PIECE, DISTANCE	1							
11	1	26306-100002	NUT, M10	1							
12	1	129953-77300	ADJUSTER, BELT	1							
13	1	121236-77340	SPACER, ADJUSTER	1							
14	1	119624-77351	BLOCK ASSY, ADJUSTER	1							
16	2	26106-081004	BOLT, M8X100 PLATED	1							
17	2	26306-080002	NUT, M8	1							
18	1	26014-080252	BOLT, M8X 25	1							
19	1	26106-080452	BOLT, M8X 45 PLATED	1							

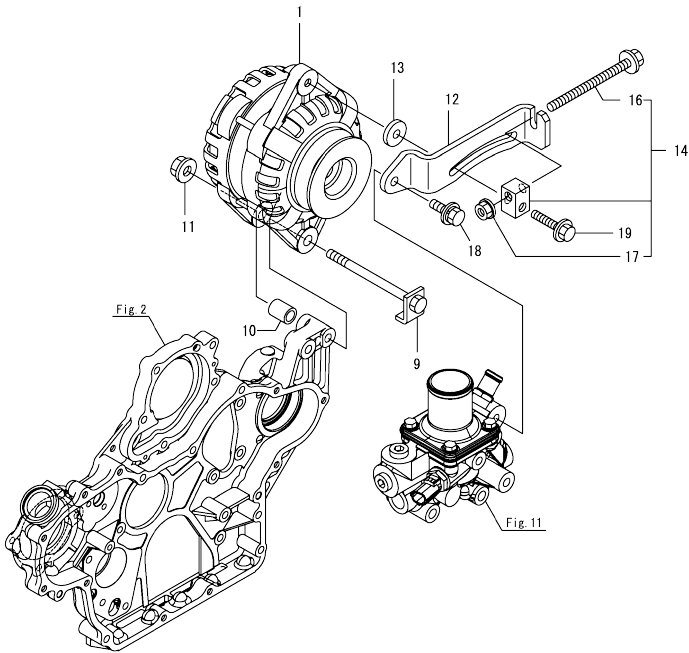
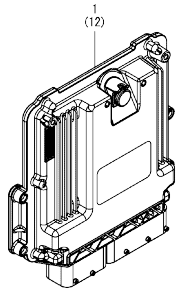


Fig.17. ELECTRONIC CONTROL UNIT(ECU)



(A)=4TNV98C-STX  
(B)=  
(C)=

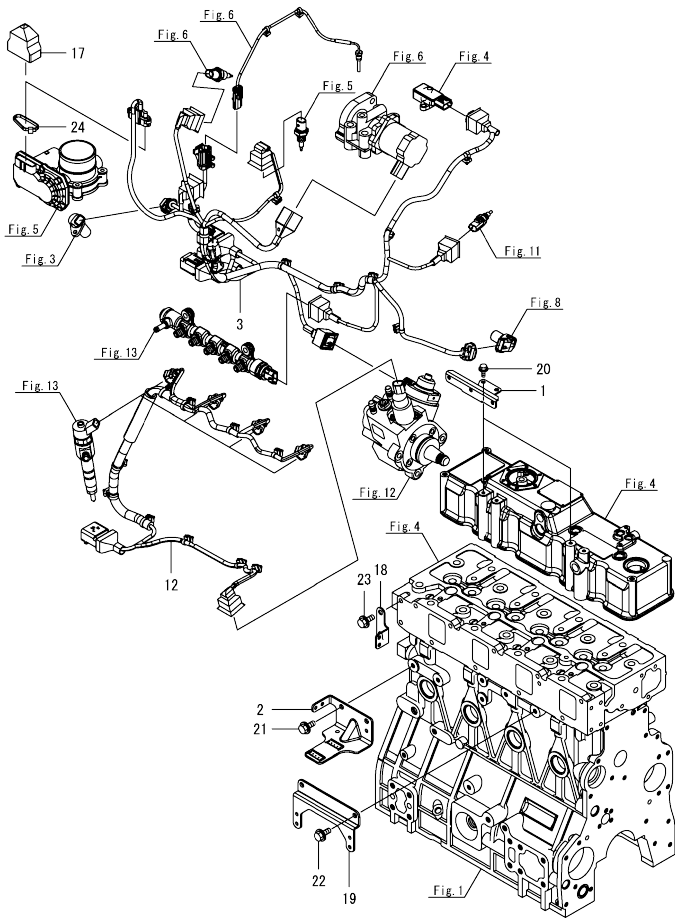
(D)=  
(E)=  
(F)=

No.	Lev.	Parts No.	Description	Q'ty						I	R	
				(A)	(B)	(C)	(D)	(E)	(F)			
1	1	129E23-75142	ECU ASSY,4-98C-STX	1							1	
12	1	129A00-75910	ECU ASSY,SERVICE YMR		1							2

Remarks

- (1)Eco ECU  
This part cannot be ordered.  
Replace the part using a Service ECU with the proper engine information installed.
- (2)Service ECU  
When replacing this part, it is necessary to update the software of the ECU using the designated service tool.  
Please refer to the Service Manual for details.

Fig.18. ELECTRIC PARTS



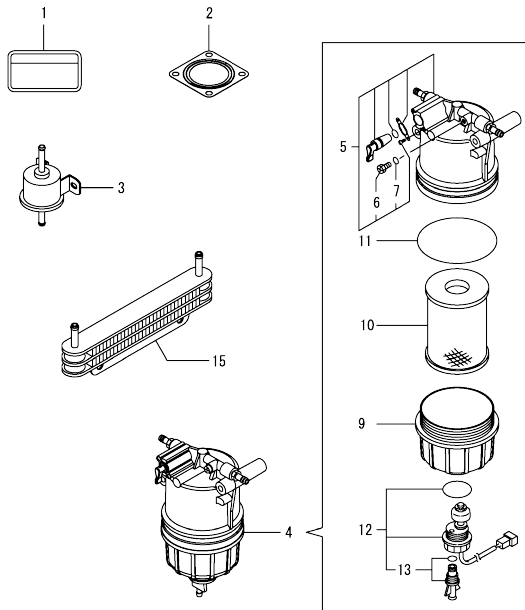
No.	Lev.	Parts No.	Description	Q'ty					
				(A)	(B)	(C)	(D)	(E)	(F)
1	1	129E00-11390	BRACKET, HARNESS	2					
2	1	129E00-77910	BRACKET, CONNECTOR	1					
3	1	129E00-91222	HARNESS, B T4	1					
12	1	129E00-91231	HARNESS, C T4	1					
17	1	129A00-91451	BOOT, CAP TYPE	1					
18	1	129A00-91600	BRACKET, HARNESS	1					
19	1	129E00-91600	BRACKET, HARNESS	1					
20	1	26106-060122	BOLT, M6X 12 PLATED	4					
21	1	26106-080122	BOLT, M8X 12 PLATED	2					
22	1	26106-080122	BOLT, M8X 12 PLATED	2					
23	1	26106-080122	BOLT, M8X 12 PLATED	2					
24	1	29621-200000	BAND	1					

N:Old  $\frac{100}{100}$  New, Q:Old  $\frac{100}{100}$  New, R:Old  $\frac{100}{100}$  New, S:Old  $\frac{100}{100}$  New, W:Add, Z:Discontinued, F:Interchangeable by set, K:Qty Change  
 Copyright (C) 2019 YANMAR GLOBAL CS CO., LTD. All Rights Reserved.

Fig.19. ACCESSORY

(A)=4TNV98C-STX  
(B)=  
(C)=

(D)=  
(E)=  
(F)=



No.	Lev.	Parts No.	Description	Q'ty						
				(A)	(B)	(C)	(D)	(E)	(F)	
1	1	114110-07761	LABEL, FUEL CAUTION	1						
2	1	129930-13201	GASKET, SILENCER	1						
3	1	129612-52100	PUMP, FUEL FEED	1						
4	1	129C01-55701	FILTER ASSY, FO PRE	1						
5	2	129A00-55710	BODY ASSY	1						
6	3	129A00-55751	PLUG, AIR VENT	1						
7	3	129A00-55760	O-RING	1						
9	2	129C01-55720	CUP, FUEL FILTER	1						
10	2	129A00-55730	ELEMENT, FUEL FILTER	1						
11	2	129A00-55740	O-RING	1						
12	2	129917-55870	SENSOR ASSY, LEVEL	1						
13	3	129242-55740	PLUG, DRAIN	1						
15	1	129973-55900	COOLER, FUEL	1						

## Parts No. Index

Parts No.	Fig. No.	Ref. No.
105010-39140	8	29
114110-07761	19	1
114270-59010	14	18
		23
114371-79070	15	30
119131-77550	15	25
119620-01750	3	3
119624-77351	16	14
119640-01640	3	8
119640-61400	4	60
119660-01570	5	12
119761-39450	10	24
119803-77830	4	69
120130-22301	9	24
120270-54410	4	19
121236-77340	16	13
121254-77810	15	29
121450-42450	11	32
121520-34810	10	14
121850-21130	9	11
121850-21290	9	4
121850-21920	9	5
121850-49540	11	21
121850-49550	11	22
121850-49801	11	23
122780-59100	13	12
123900-13130	7	1
123900-77510	15	21
123900-77520	15	22
123900-77540	15	24
123907-03100	4	50
123907-03110	4	51
123907-03120	4	52
123907-03140	4	53
123910-44771	11	15
123910-49600	10	8
123910-49610	10	10
123912-33050	10	2
123912-33100	10	3
123957-42451	11	13
124160-01751	2	20
	4	41
124160-11360	4	64
124240-01871	2	27
124460-11340	4	13
124465-44950	11	33
128300-13230	7	2
129001-11340	4	57
129005-03080	5	1
129006-44480	10	5

Parts No.	Fig. No.	Ref. No.
129008-77800	4	70
129100-01580	2	2
	3	1
129150-02450	8	4
129150-11230	4	29
		33
129150-11370	4	1
129150-11750	4	31
		35
129150-11810	4	72
129150-14200	8	1
129150-35170	10	27
129242-55740	19	13
129410-03990	5	2
129418-18320	6	21
129466-49300	10	7
129612-52100	19	3
129795-11180	4	12
129900-01200	1	27
129900-01250	1	4
129900-02020	1	6
129900-02410	1	9
129900-07900	4	67
129900-11110	4	10
129900-11120	4	11
129900-11200	4	21
129900-11240	4	22
129900-11280	4	25
129900-11510	4	26
129900-11520	4	27
129900-11530	4	38
129900-11650	4	28
129900-11660	4	32
129900-14400	8	2
129900-21220	9	3
129900-21600	9	14
129900-23001	9	26
129900-23200	9	29
129900-23911	9	32
129900-32001	2	3
129900-32030	2	14
	10	17
129900-32040	2	15
129900-42020	11	10
129900-49870	11	28
129902-21050	9	1
129907-03061	4	46
129907-03070	4	49
129908-33010	10	1
129908-33101	10	4

Parts No.	Fig. No.	Ref. No.
129908-49060	10	6
129908-77210	16	1
129908-77220	16	9
129908-77360	16	10
129916-01790	3	6
129916-01800	2	24
129916-21610	9	7
129916-49530	11	20
129917-55870	19	12
129927-02340	1	32
129927-02930	1	24
129927-02940	1	35
129927-13810	6	25
129927-23600	9	30
129927-23610	9	33
129927-25110	8	15
129927-25920	8	31
129927-42140	2	16
129927-44900	11	18
129928-49420	11	19
		34
129930-13201	19	2
129932-42121	11	1
129940-42240	11	14
129940-77011	15	1
129940-77100	15	2
129940-77130	15	5
129940-77140	15	6
129940-77150	15	7
129940-77160	15	8
129940-77171	15	9
129940-77181	15	10
129940-77190	15	11
129940-77200	15	12
129940-77210	15	13
129940-77221	15	14
129940-77230	15	15
129940-77240	15	16
129940-77250	15	17
129940-77260	15	18
129940-77270	15	19
129940-77280	15	20
129944-21650	9	8
129953-34830	10	15
129953-35000	10	18
129953-77300	16	12
129960-03990	11	37
		40
		44
129960-21940	9	10

Parts No.	Fig. No.	Ref. No.
129960-21950	9	9
129973-55900	19	15
129978-03030	4	45
129978-11871	4	17
129978-12700	4	58
129978-17700	7	36
129982-01710	3	7
129A00-11330	4	56
129A00-11340	4	14
129A00-12711	5	13
129A00-12721	5	7
129A00-12780	4	59
129A00-12790	5	14
129A00-12820	5	28
129A00-12900	5	29
129A00-12910	5	30
129A00-13350	6	9
	7	26
129A00-13380	6	12
129A00-13752	6	23
129A00-14710	8	12
129A00-16610	7	17
129A00-17311	7	27
129A00-17501	7	31
129A00-17520	7	32
129A00-17570	7	35
129A00-17780	7	37
129A00-21710	3	12
129A00-51100	12	2
129A00-51110	12	3
129A00-51120	12	4
129A00-51130	12	5
129A00-51200	12	6
129A00-51900	12	7
129A00-53200	13	4
129A00-55600	14	1
129A00-55610	14	2
129A00-55710	19	5
129A00-55730	19	10
129A00-55740	19	11
129A00-55751	19	6
129A00-55760	19	7
129A00-55800	14	3
129A00-57100	13	8
129A00-57200	13	9
129A00-57210	13	10
129A00-59110	5	18
129A00-75910	17	12
129A00-91200	6	6
	7	39



## Parts No. Index

Parts No.	Fig. No.	Ref. No.
129A00-91200	14	21
129A00-91430	7	41
129A00-91451	18	17
129A00-91600	18	18
129A01-13710	6	4
129C00-13860	7	8 -1
129C00-13870	7	9 -1
129C00-13940	7	8
129C00-13950	7	9
129C00-57000	13	7
129C00-91200	7	40
129C01-16680	7	18
129C01-16700	7	19
129C01-16740	7	22
129C01-55701	19	4
129C01-55720	19	9
129C28-51000	12	1
129C28-53300	13	6
129E00-01330	1	28
129E00-01500	2	1
129E00-01570	1	1
129E00-01580	2	22
129E00-01620	3	2
129E00-01850	2	25
129E00-03010	4	43
129E00-03020	4	44
129E00-11100	4	9
129E00-11330	4	55
129E00-11360	4	42
129E00-11390	18	1
129E00-11720	4	2
129E00-11900	4	18
129E00-12101	5	5
129E00-12110	5	3
129E00-12151	5	4
129E00-12800	5	15
129E00-12810	5	10
129E00-12850	5	11
129E00-13101	6	1
129E00-13110	6	2
129E00-13300	6	8
129E00-13360	6	10
129E00-13400	6	15
129E00-13410	6	16
129E00-13601	7	3
129E00-13610	6	18
129E00-13710	5	16
129E00-13720	5	17
129E00-13770	6	5
129E00-13800	6	24

Parts No.	Fig. No.	Ref. No.
129E00-13851	6	19
129E00-13861	6	20
129E00-13901	6	28
129E00-13910	6	29
129E00-13920	6	30
129E00-14101	8	6
129E00-14581	8	3
129E00-14700	8	8
129E00-16010	7	10
129E00-16020	7	10 -1
129E00-16210	7	11
129E00-16220	7	11 -1
129E00-16410	7	13
129E00-16510	7	15
129E00-16600	7	16
129E00-16700	7	20
129E00-16720	7	21
129E00-16810	7	4
129E00-16820	7	5
129E00-16830	7	6
129E00-17310	7	28
129E00-17360	7	29
129E00-22050	9	18
129E00-22080	9	16
129E00-22900	9	35
129E00-22950	9	37
129E00-25050	8	14
129E00-25060	8	22
129E00-25080	8	32
129E00-25121	8	23
129E00-25200	8	26
129E00-25400	8	28
129E00-25902	8	19
129E00-49610	11	35
129E00-49630	11	39
129E00-49640	11	43
129E00-49810	11	17
129E00-53100	13	1
129E00-59010	14	5
129E00-59020	14	13
129E00-59030	14	17
129E00-59040	14	22
129E00-59120	5	19
129E00-59700	13	14
129E00-59810	13	16
129E00-59820	13	17
129E00-59830	13	18
129E00-59840	13	19
129E00-77820	4	71
129E00-77910	18	2

Parts No.	Fig. No.	Ref. No.
129E00-91222	18	3
129E00-91231	18	12
129E00-91600	18	19
129E01-59500	14	9
129E20-16830	7	5 -1
129E22-21580	9	12
129E23-17560	7	34
129E23-75142	17	1
129F01-13610	6	3
129F01-13650	6	17
171051-01921	1	5
171056-49120	10	13
22190-080002	8	30
	10	25
22190-120002	11	25
22190-140002	5	20
22190-220002	3	10
22217-180000	8	20
22242-000180	4	36
22252-000300	9	25
22351-030010	8	9
22351-060012	1	11
22512-070140	8	7
	9	6
22857-500100	4	61
	62	
23000-025000	10	11
23080-007000	14	12
23080-015000	14	8
	16	
23414-080000	11	29
23414-120000	6	13
23875-030000	11	26
23876-005000	4	7
23876-030000	1	12
	13	
	14	
24311-000070	2	17
24311-000120	4	65
24311-000320	2	21
	4	66
24321-000600	10	12
26014-080252	16	18
26106-060122	18	20
26106-060202	5	31
	11	27
26106-060302	11	11
26106-060402	5	32
26106-060902	5	33
26106-080122	3	11

Parts No.	Fig. No.	Ref. No.
26106-080122	10	23
		26
	11	30
	18	21
		22
		23
26106-080142	7	23
	8	10
26106-080162	2	18
		28
		29
	4	68
	6	14
	7	42
26106-080202	6	22
	7	38
26106-080252	13	11
26106-080302	12	8
	14	4
26106-080352	4	20
	5	21
	7	43
		44
26106-080402	2	30
26106-080452	2	19
	5	8
	8	27
	16	19
26106-080502	8	18
26106-080552	5	9
	11	12
26106-080602	11	31
26106-080702	2	31
26106-080752	5	24
	7	45
26106-080902	5	25
26106-081004	16	16
26106-100202	7	46
26106-100252	6	26
26106-100602	6	31
26106-100652	4	39
26106-100702	11	16
26106-120252	15	31
26206-100352	3	4
26206-100952	3	5
26216-060202	5	6
		22
26216-081002	5	26
26306-080002	5	27
	6	27

### Parts No. Index

Parts No.	Fig. No.	Ref. No.
26306-080002	7	24
	16	17
26306-100002	4	40
	6	7
	7	47
	16	11
26366-060002	13	20
26450-060162	3	13
	4	63
	8	13
26557-050082	4	47
26577-040162	4	37
26577-060122	8	11
26587-050102	4	48
26716-060002	5	23
26776-180002	8	21
27241-300000	1	10
27241-400000	4	8
27310-080001	4	15
29621-200000	18	24
729927-02800	1	29
X2240610100	15	23

Parts No.	Fig. No.	Ref. No.
-----------	----------	----------

Parts No.	Fig. No.	Ref. No.
-----------	----------	----------

Parts No.	Fig. No.	Ref. No.
-----------	----------	----------