

OCR10-M67800EN

# PREFACE

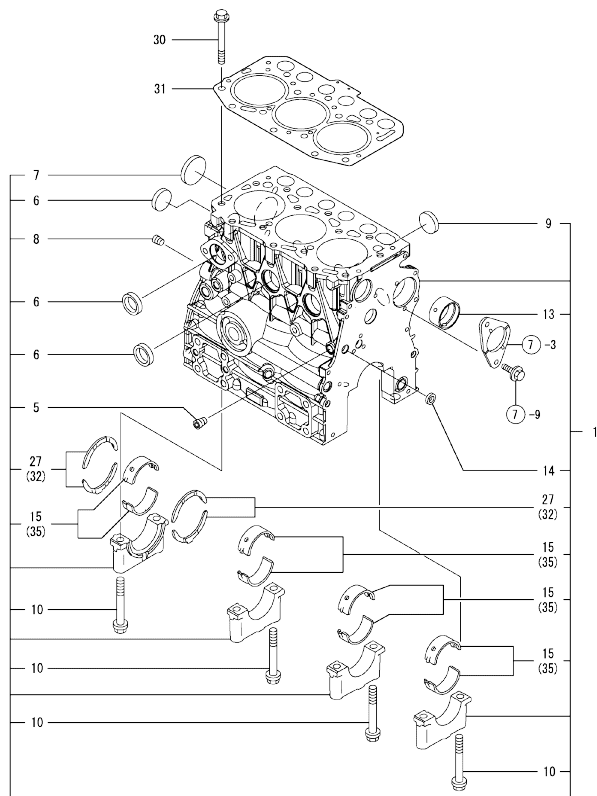
- 1.This Parts Catalog carries all parts incorporated in YANMAR Model 3TNV70-HGEP engine manufactured since October, 2006.
- 2.Each illustration corresponds to the parts list on the following page.
- 3.When ordering parts,clearly write down the engine model and serial number,as well as the name and number of each part in your order sheet. This will help insure reliable delivery of the parts you have ordered.

## Contents

OCR10-M67800

Fig. No.	Fig. Name	Fig. No.	Fig. Name
ENGINE SECTION (3TNV70-HGEP)			
1.	CYLINDER BLOCK		
2.	GEAR HOUSING		
3.	FLYWHEEL HOUSING & OIL SUMP		
4.	CYLINDER HEAD & BONNET		
5.	AIR CLEANER		
6.	EXHAUST MANIFOLD & SILENCER		
7.	CAMSHAFT & DRIVING GEAR		
8.	CRANKSHAFT & PISTON		
9.	LUB.OIL SYSTEM		
10.	COOLING WATER SYSTEM		
11.	RADIATOR		
12.	FUEL INJECTION PUMP		
13.	GOVERNOR		
14.	FUEL INJECTION VALVE		
15.	FUEL LINE		
16.	ENGINE CONTROL DEVICE		
17.	STARTING MOTOR		
18.	GENERATOR		
19.	ELECTRIC PARTS		
20.	GASKET SET		

Fig.1. CYLINDER BLOCK



(A)=3TNV70-HGEP  
(B)=  
(C)=

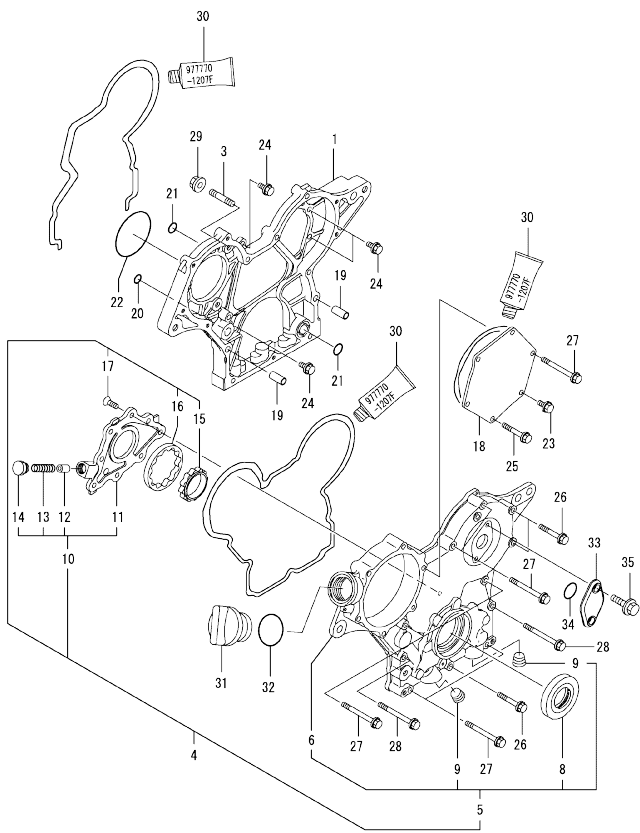
(D)=  
(E)=  
(F)=

No.	Lev.	Parts No.	Description	Q'ty						I	R
				(A)	(B)	(C)	(D)	(E)	(F)		
1	1	719515-01560	BLOCK ASSY, CYLINDER	1							
5	2	124060-01050	PLUG, PT1/8	1							
6	2	105311-01090	PLUG, 30	4							
7	2	119623-01250	PLUG, 45	1							
8	2	124160-01910	PLUG, PT1/4	1							
9	2	119285-01990	PLUG, 25	3							
10	2	119620-02020	BOLT, METAL CAP	8							
13	2	119717-02411	BUSH, CAMSHAFT	1							
14	2	27241-120000	PLUG, 12	1							
15	2	719717-02901	BEARING, MAIN	4							2
27	2	119717-02930	BEARING, THRUST	2							
30	1	119515-01200	BOLT, HEAD	14							
31	1	119515-01330	GASKET, HEAD	1							
32	1	119810-02941	BEARING, THRUST 0.25	2							1
35	1	719717-02911	BEARING, 0.25 US	4							3

Remarks

- (1) OVER-SIZE(O.S=0.25)PART.
- (2) REPAIR PART.
- (3) UNDER-SIZE(U.S=0.25)PART

Fig.2. GEAR HOUSING



(A)=3TNV70-HGEP  
(B)=  
(C)=

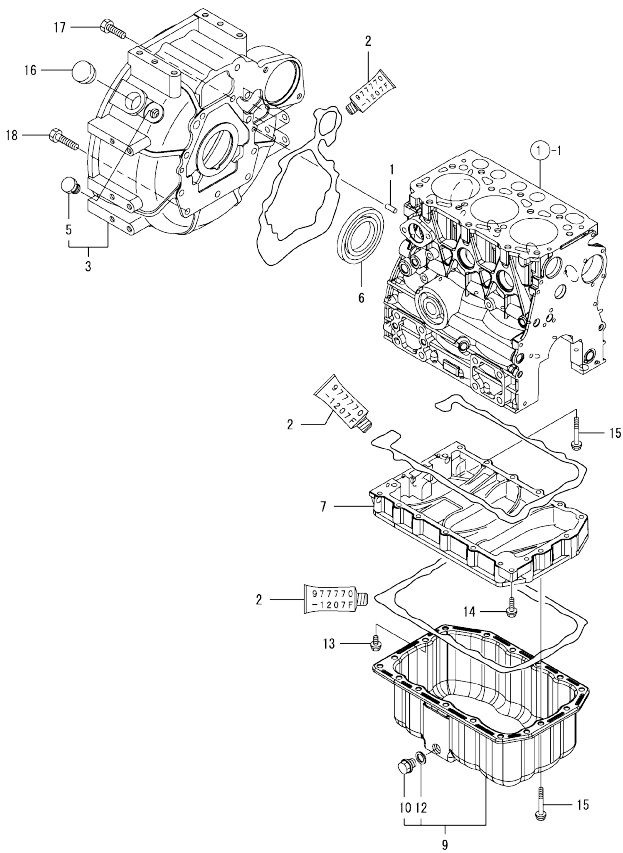
(D)=  
(E)=  
(F)=

No.	Lev.	Parts No.	Description	Q'ty						I	R
				(A)	(B)	(C)	(D)	(E)	(F)		
1	1	119717-01501	CASE, GEAR	1							
3	1	119717-01570	STUD	3							
4	1	119744-01590	COVER ASSY,GEAR CASE	1							
5	2	719744-01500	COVER ASSY,GEAR CASE	1							
6	3	119744-01521	COVER, GEAR CASE	1							
8	3	119620-01800	SEAL, OIL	1							
9	3	23876-030000	PLUG, R03	2							
10	2	119717-32100	COVER ASSY	1							
11	3	119717-32080	COVER	1							
12	3	129900-32130	VALVE, RELIEF	1							
13	3	129001-32320	SPRING	1							
14	3	129001-32330	PLUG	1							
15	2	119717-32110	ROTOR, INNER	1							
16	2	119717-32120	ROTOR, OUTER	1							
17	2	119802-32130	SCREW, M6X16	8							
18	1	119717-01750	COVER	1							
19	1	119660-01911	PIPE, KNOCK	4							
20	1	119624-32040	O-RING, P12.0	1							
21	1	119717-32050	O-RING, P17.0	3							
22	1	121850-51960	O-RING	1							
23	1	26106-060122	BOLT, M6X 12 PLATED	1							
24	1	26106-060162	BOLT, M6X 16 PLATED	4							
25	1	26106-060402	BOLT, M6X 40 PLATED	4							
26	1	26106-060402	BOLT, M6X 40 PLATED	3							
27	1	26106-060602	BOLT, M6X 60 PLATED	7							
28	1	26106-060652	BOLT, M6X 65 PLATED	2							
29	1	26306-080002	NUT, M8	3							
30	1	977770-1207F	GASKET,LIQUID	1							1
31	1	124160-01751	COVER, FILLER	1							
32	1	24311-000320	O-RING, 1AP32.0	1							
33	1	121023-01551	COVER	1							
34	1	24341-000240	O-RING, 1AS24.0	1							
35	1	26106-060162	BOLT, M6X 16 PLATED	2							

Remarks  
(1) OPTIONAL PART.

N:Old  $\frac{100}{100}$  New, Q:Old  $\frac{100}{100}$  New, R:Old  $\frac{100}{100}$  New, S:Old  $\frac{100}{100}$  New, W:Add, Z:Discontinued, F:Interchangeable by set, K:Q'ty Change  
Copyright (C) YANMAR CO., LTD. All Rights Reserved.

Fig.3. FLYWHEEL HOUSING & OIL SUMP



(A)=3TNV70-HGEP  
(B)=  
(C)=

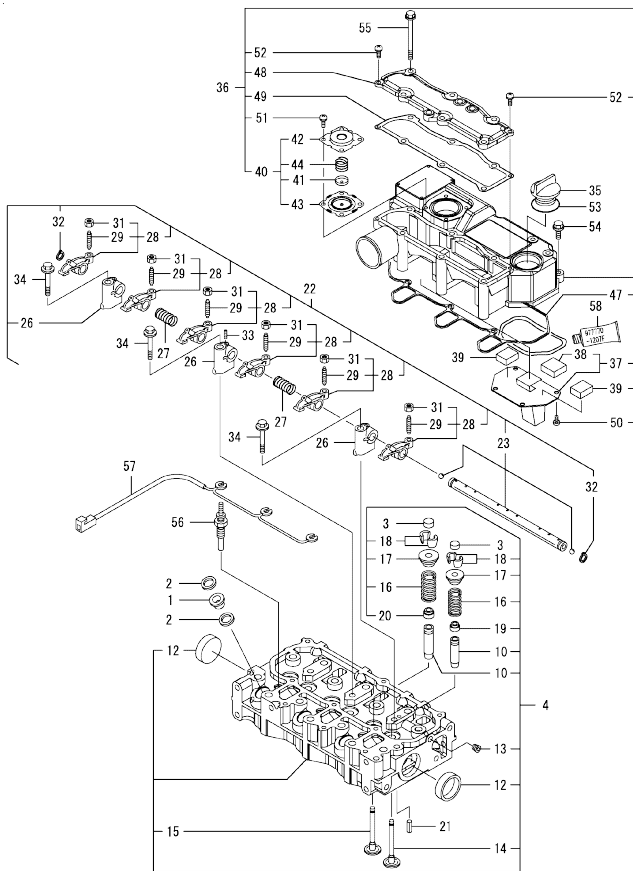
(D)=  
(E)=  
(F)=

No.	Lev.	Parts No.	Description	Q'ty						I	R
				(A)	(B)	(C)	(D)	(E)	(F)		
1	1	129100-01580	PIN, M8X16	2							
2	1	977770-1207F	GASKET, LIQUID	1							1
3	1	119717-01611	HOUSING, FLYWHEEL	1							
5	2	129486-35210	PLUG, 3/4-16UNF	1							
6	1	124085-02220	SEAL, OIL	1							
7	1	119515-01720	SPACER, OIL SUMP	1							
9	1	119546-01770	SUMP ASSY, OIL	1							
10	2	105425-01690	PLUG, 16	1							
12	2	22190-160002	WASHER, SEAL 16	1							
13	1	26106-060122	BOLT, M6X 12 PLATED	1							
14	1	26106-060252	BOLT, M6X 25 PLATED	1							
15	1	26106-060452	BOLT, M6X 45 PLATED	17							
16	1	119620-01750	CAP	1							
17	1	26206-100252	BOLT, M10X 25 PLATED	7							
18	1	121120-01620	BOLT, M10X28	3							

Remarks  
(1) OPTIONAL PART.

N:Old  $\frac{New}{Old}$  New, Q:Old  $\frac{New}{Old}$  New, R:Old  $\frac{New}{Old}$  New, S:Old  $\frac{New}{Old}$  New, W:Add, Z:Discontinued, F:Interchangeable by set, K:Qty Change  
Copyright (C) YANMAR CO., LTD. All Rights Reserved.

Fig.4. CYLINDER HEAD & BONNET



(A)=3TNV70-HGEP  
(B)=  
(C)=

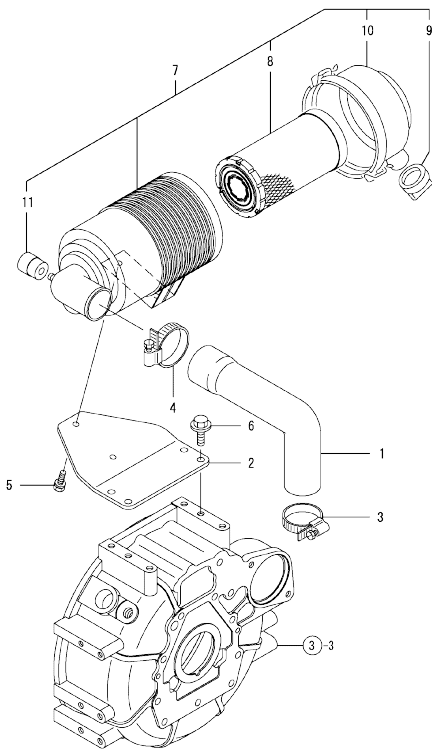
(D)=  
(E)=  
(F)=

No.	Lev.	Parts No.	Description	Q'ty						I	R
				(A)	(B)	(C)	(D)	(E)	(F)		
1	1	129901-11450	PROTECTOR, NOZZLE	3							
2	1	119600-11460	GASKET, NOZZLE	6							
3	1	105010-11490	CAP, VALVE	6							
4	1	119515-11750	HEAD ASSY, CYLINDER	1							1
10	2	119515-11800	GUIDE, VALVE	6							
12	2	119285-11990	PLUG, 35	2							
13	2	23876-005000	PLUG, R005	1							
14	2	119515-11101	VALVE, INTAKE	3							
15	2	119515-11110	VALVE, EXHAUST	3							
16	2	119717-11131	SPRING, VALVE	6							
17	2	129508-11180	RETAINER, SPRING	6							
18	2	119717-11190	COTTER	12							
19	2	119717-11340	SEAL, VALVE STEM	3							
20	2	119717-11350	SEAL, VALVE STEM	3							
21	1	22351-060012	PIN, SPRING 6.0X12	2							
22	1	119515-11200	SUPPORT ASSY, ARM	1							
23	2	119515-11240	SHAFT ASSY, ROCKER	1							
26	2	119717-11260	SUPPORT, ROCKER ARM	3							
27	2	119515-11280	SPRING	2							
28	2	119717-11650	ARM, ROCKER	6							
29	3	129150-11230	SCREW, VALVE ADJUST	6							
31	3	129150-11750	NUT, M8	6							
32	2	22242-000120	RING, 12	2							
33	2	26979-050162	SCREW, M5X16	1							
34	1	26106-080402	BOLT, M8X 40 PLATED	3							
35	1	124160-01751	COVER, FILLER	1							
36	1	119515-11380	BONNET ASSY, HEAD	1							
37	2	119717-03031	PLATE	1							
38	3	119717-03070	BAFFLE, BREATHER	1							
39	2	119717-03070	BAFFLE, BREATHER	2							
40	2	119802-03100	DIAPHRAGM ASSY	1							
41	3	119802-03110	PLATE	1							
42	3	119802-03121	COVER, DIAPHRAGM	1							
43	3	119802-03131	DIAPHRAGM	1							
44	3	119802-03141	SPRING, DIAPHRAGM	1							
47	2	119515-11310	GASKET, BONNET	1							
48	2	119515-11320	COVER, BONNET	1							
49	2	119515-11330	GASKET	1							
50	2	22857-500100	SCREW, 5X10	4							
51	2	22857-500100	SCREW, 5X10	4							
52	2	22857-500160	SCREW, 5X16	2							
53	1	24311-000320	O-RING, 1AP32.0	1							
54	1	26106-060202	BOLT, M6X 20 PLATED	3							
55	1	26106-060752	BOLT, M6X 75 PLATED	6							
56	1	119717-77800	PLUG, GLOW	3							
57	1	119717-77820	CONNECTOR, GLOW PLUG	1							
58	1	977770-1207F	GASKET, LIQUID	1							2

Remarks

- (1) REPAIR PARTS.
- (2) OPTIONAL PART.

Fig.5. AIR CLEANER



(A)=3TNV70-HGEP  
(B)=  
(C)=

(D)=  
(E)=  
(F)=

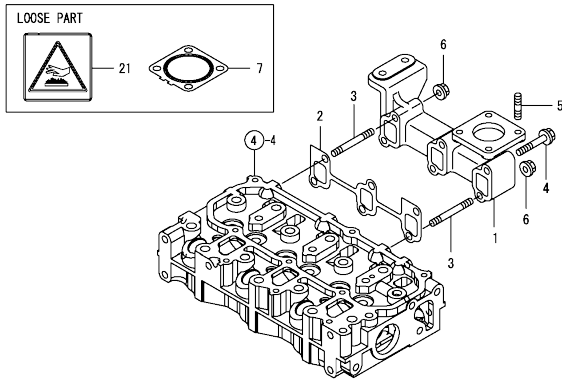
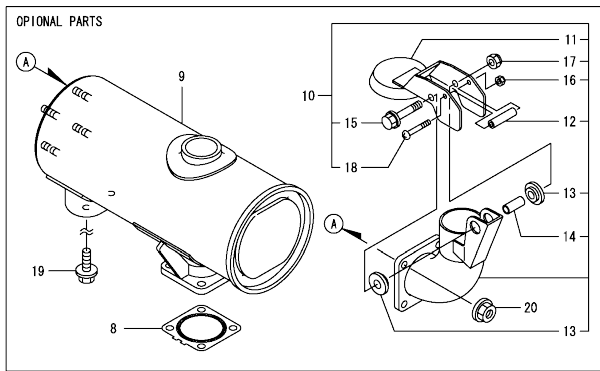
No.	Lev.	Parts No.	Description	Q'ty						I	R
				(A)	(B)	(C)	(D)	(E)	(F)		
1	1	119746-12550	PIPE, AIR INTAKE	1							
2	1	119746-12600	BRACKET, AIR CLEANER	1							
3	1	23000-054000	CLAMP, 54	1							
4	1	23000-060000	CLAMP, 60	1							
5	1	26013-080162	BOLT, M8X 16	2							
6	1	26106-100182	BOLT, M10X 18 PLATED	4							
7	1	119746-12510	CLEANER ASSY, AIR	1							
8	2	129004-12520	ELEMENT 5INCH	1							
9	2	119808-12540	VALVE, UNLOADER	1							
10	2	119866-12541	COVER ASSY	1							
11	2	126650-12680	INDICATOR	1							

Remarks

\* THIS FIGURE(AIR CLEANER ASSY)IS  
OPTIONAL PART.



Fig.6. EXHAUST MANIFOLD & SILENCER



(A)=3TNV70-HGEP  
(B)=  
(C)=

(D)=  
(E)=  
(F)=

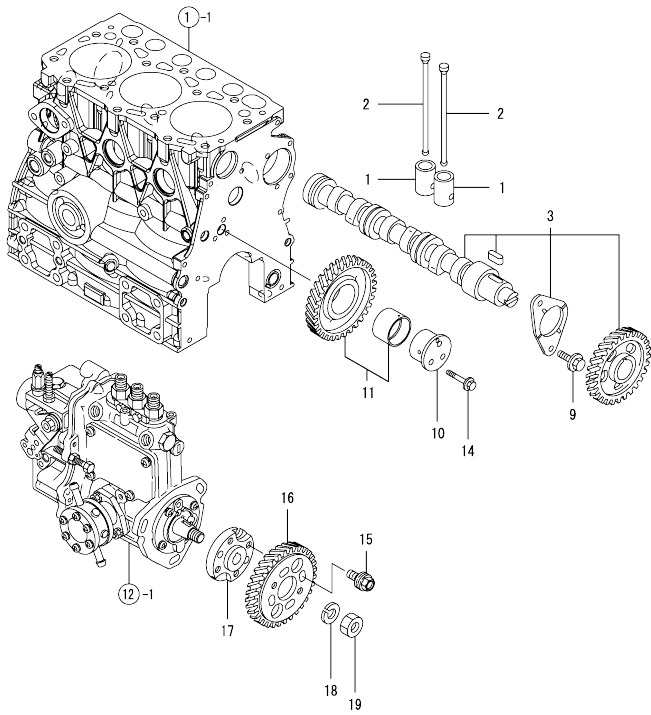
No.	Lev.	Parts No.	Description	Q'ty						I	R
				(A)	(B)	(C)	(D)	(E)	(F)		
1	1	119717-13109	MANIFOLD, EXHAUST	1							
2	1	119717-13110	GASKET	1							
3	1	119717-13600	STUD, M8X50	2							
4	1	119802-13620	BOLT, M8X50	2							
5	1	119131-18320	STUD, M8X22	4							
6	1	26306-080002	NUT, M8	2							
7	1	119515-13200	GASKET, SILENCER	1							
8	1	119515-13200	GASKET, SILENCER	2							1
9	1	119717-13500	SILENCER	1							1
10	1	129005-13600	PIPE ASSY, TAIL	1							1
11	2	119358-13640	CAP, RAIN	1							1
12	2	121855-13821	SPACER, A	1							1
13	2	121855-13830	SPACER, B	2							1
14	2	123500-13840	SPACER, C	1							1
15	2	26106-060402	BOLT, M6X 40 PLATED	1							1
16	2	26347-040002	NUT, M4	1							1
17	2	26347-060002	NUT, M6	1							1
18	2	26557-040352	SCREW, M4X35	1							1
19	1	26106-080252	BOLT, M8X 25 PLATED	2							1
20	1	26306-080002	NUT, M8	4							1
21	1	114220-07130	LABEL, HOT SURFACE	1							W

(A)=FXXXXX

Remarks  
(1) OPTIONAL PART.

OCR10-M67800 ENGINE SECTION (3TNV70-HGEP)  
 Fig.7. CAMSHAFT & DRIVING GEAR

OCR10-M67800 Fig.7

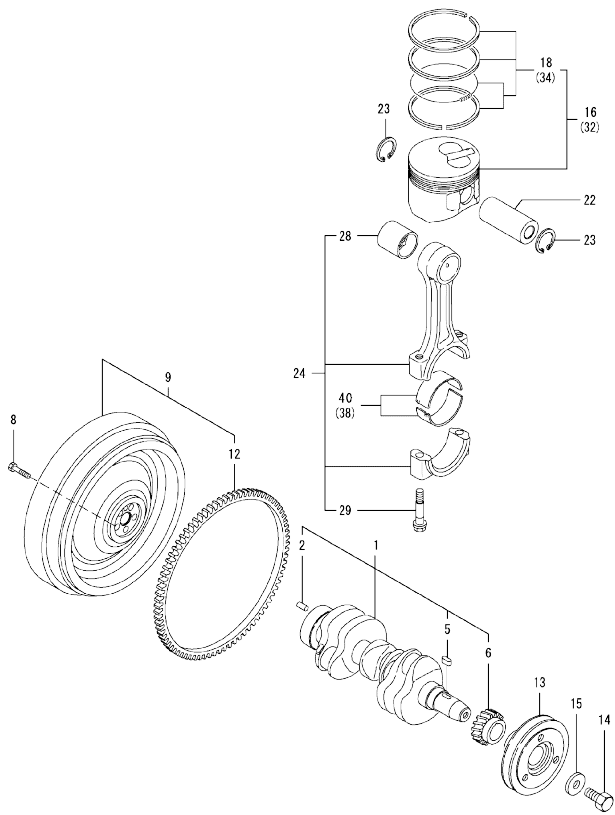


(A)=3TNV70-HGEP  
 (B)=  
 (C)=

(D)=  
 (E)=  
 (F)=

No.	Lev.	Parts No.	Description	Q'ty					
				(A)	(B)	(C)	(D)	(E)	(F)
1	1	119620-14200	TAPPET	6					
2	1	119515-14400	ROD, PUSH	6					
3	1	119515-14581	CAMSHAFT ASSY	1					
9	1	26106-060122	BOLT, M6X 12 PLATED	2					
10	1	119717-25050	SHAFT, IDLE	1					
11	1	119717-25101	GEAR ASSY, IDLE	1					
14	1	26106-060352	BOLT, M6X 35 PLATED	3					
15	1	129150-25301	BOLT	4					
16	1	119717-25930	GEAR, PUMP	1					
17	1	119717-51150	FLANGE	1					
18	1	22217-120000	WASHER, SPRING 12	1					
19	1	26716-120002	NUT, M12	1					

Fig.8. CRANKSHAFT & PISTON



(A)=3TNV70-HGEP  
(B)=  
(C)=

(D)=  
(E)=  
(F)=

No.	Lev.	Parts No.	Description	Q'ty						I	R
				(A)	(B)	(C)	(D)	(E)	(F)		
1	1	119515-21700	CRANKSHAFT ASSY	1							
2	2	129100-01580	PIN, M8X16	1							
5	2	22512-040120	KEY, 4X 12	1							
6	2	119717-21200	GEAR, CRANKSHAFT	1							
8	1	121111-21501	BOLT, FLYWHEEL	5							
9	1	119746-21570	FLYWHEEL ASSY	1							
12	2	119865-21600	GEAR, RING	1							
13	1	119717-21650	V-PULLEY	1							
14	1	119621-21680	BOLT, FLANGE 12X1.25	1							
15	1	119620-21941	WASHER	1							
16	1	119515-22080	PISTON ASSY	3							
18	2	119515-22500	RING SET, PISTON	3							
22	1	119515-22300	PIN, PISTON	3							
23	1	22252-000220	RING, 22	6							
24	1	119515-23000	ROD ASSY, CONNECTING	3							
28	2	119717-23910	BEARING, PISTON PIN	3							2
29	2	119717-23200	BOLT, CONNECTING ROD	6							
32	1	119515-22900	PISTON ASSY, 0.25 OS	3							1
34	2	119515-22550	RING SET, 0.25 OS	3							1
38	1	119515-23611	METAL ASSY, 0.25	3							3
40	1	119515-23601	BEARING, CRANK PIN	3							

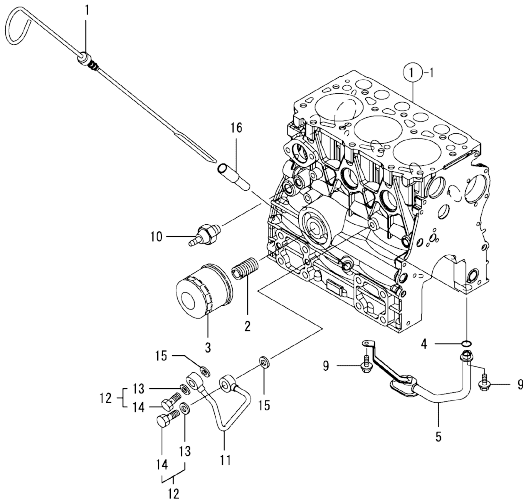
Remarks  
(1) OVER-SIZE(O.S=0.25)PART.  
(2) REPAIR PART.  
(3) UNDER-SIZE(U.S=0.25)PART.

Fig.9. LUB.OIL SYSTEM

(A)=3TNV70-HGEP  
(B)=  
(C)=

(D)=  
(E)=  
(F)=

No.	Lev.	Parts No.	Description	Q'ty						I	R
				(A)	(B)	(C)	(D)	(E)	(F)		
1	1	119546-34801	DIPSTICK, OIL	1							
2	1	129100-35140	STUD	1							
3	1	119305-35170	FILTER ASSY, D68XL65	1							1
4	1	119717-32060	O-RING, P15.0	1							
5	1	119546-35080	PIPE ASSY, OIL INLET	1							
9	1	26106-060102	BOLT, M6X 10 PLATED	2							
10	1	114250-39450	SWITCH, 0.5KG	1							
11	1	119717-39210	PIPE, OIL	1							
12	1	129005-59830	BOLT ASSY, JOINT M8	2							
13	2	22190-080002	WASHER, SEAL 6	2							
14	2	23857-030000	BOLT, JOINT 3	2							
15	1	22190-080002	WASHER, SEAL 6	2							
16	1	121520-34810	GUIDE, DIPSTICK	1							

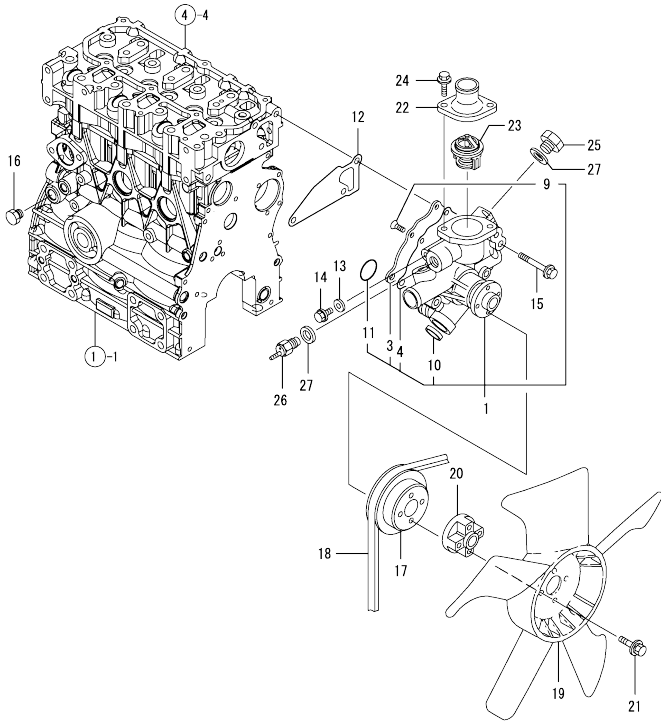


Remarks  
(1) REPAIR PART.

N:Old  $\frac{100}{100}$  New, Q:Old  $\frac{100}{100}$  New, R:Old  $\frac{100}{100}$  New, S:Old  $\frac{100}{100}$  New, W:Add, Z:Discontinued, F:Interchangeable by set, K:Qty Change  
Copyright (C) YANMAR CO., LTD. All Rights Reserved.

OCR10-M67800 ENGINE SECTION (3TNV70-HGEP)  
 Fig.10. COOLING WATER SYSTEM

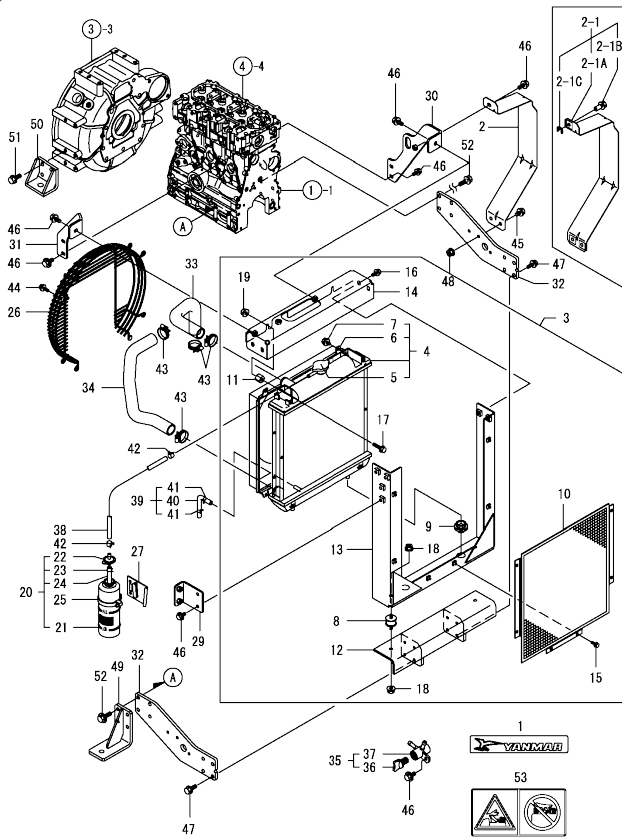
OCR10-M67800 Fig.10



No.	Lev.	Parts No.	Description	Q'ty						I	R
				(A)	(B)	(C)	(D)	(E)	(F)		
1	1	119515-42001	PUMP ASSY, WATER	1							
1-1	1	119515-42002	PUMP ASSY, CW	1							N
(A=E/ 96762)											
3	2	119515-42041	COVER	1							
4	2	119717-42031	GASKET	1							
9	2	26577-060122	SCREW, M6X12	4							
10	2	27241-250000	PLUG, 25	1							
11	2	119717-42320	O-RING, P26	1							
11-1	2	119C10-42320	O-RING, 2028	1							S
(A=E/ 96762)											
12	1	119515-42020	GASKET, WATER PUMP	1							
13	1	23414-080000	GASKET, 8X1.0	1							
14	1	26106-080122	BOLT, M8X 12 PLATED	1							
15	1	26106-080502	BOLT, M8X 50 PLATED	3							
16	1	171056-49120	PLUG, DRAIN	1							
17	1	119717-42350	V-PULLEY, D=100	1							
18	1	171001-42290	V-BELT, A35.5	1							
19	1	119265-44740	FAN, D=310X5F	1							
20	1	171353-44760	SPACER, FAN	1							
21	1	26106-060352	BOLT, M6X 35 PLATED	4							
22	1	129350-49530	COVER, THERMOSTAT	1							
23	1	119717-49800	THERMOSTAT, 71	1							
24	1	26106-080202	BOLT, M8X 20 PLATED	2							
25	1	121450-42450	PLUG, M16	1							
26	1	121250-44901	SWITCH, 110	1							
27	1	124465-44950	GASKET, 16	2							

N:Old  $\frac{100}{100}$  New, Q:Old  $\frac{100}{100}$  New, R:Old  $\frac{100}{100}$  New, S:Old  $\frac{100}{100}$  New, W:Add, Z:Discontinued, F:Interchangeable by set, K:Q'ty Change  
 Copyright (C) YANMAR CO., LTD. All Rights Reserved.

Fig.11. RADIATOR



(A)=3TNV70-HGEP  
(B)=  
(C)=

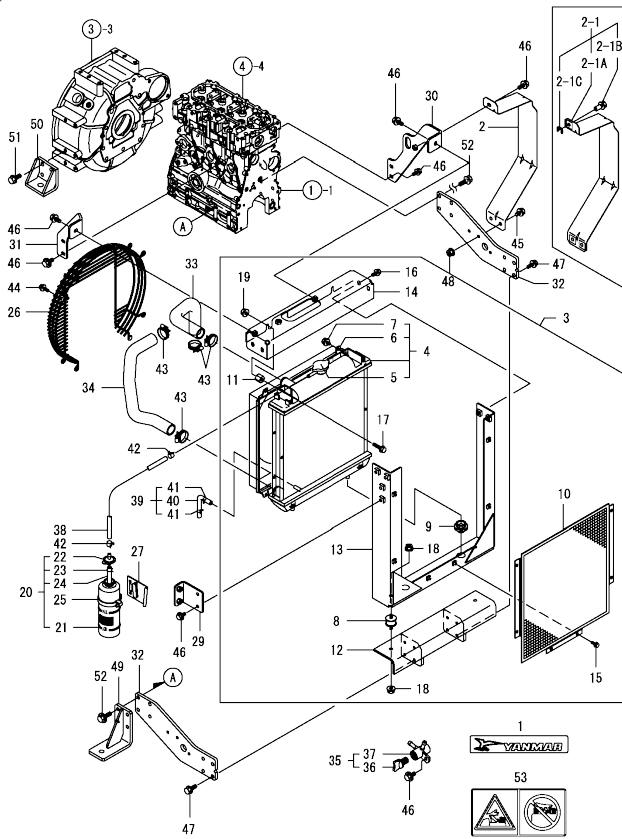
(D)=  
(E)=  
(F)=

No.	Lev.	Parts No.	Description	(A)	(B)	(C)	(D)	(E)	(F)	I	R
1	1	129247-07000	LABEL, YANMAR	1							
2	1	119746-42800	COVER	1							
2-1	1	119746-42810	COVER CMP,V-BELT	1							N
2-1A	2	119746-42801	COVER,V-BELT	1							W
2-1B	2	119746-42820	SCREW,V-BELT COVER	3							W
2-1C	2	22276-000060	RING, E- 6	3							W
3	1	119546-44500	RADIATOR ASSY	1							
4	2	119515-44560	RADIATOR	1							
5	3	129107-44590	CAP, RADIATOR	1							
6	3	119515-44600	SHROUD	1							
7	3	26014-060122	BOLT, M6X 12	4							
8	2	121400-44640	ABSORBER	2							
9	2	119255-44660	ABSORBER	2							
10	2	119746-44800	SCREEN, RADIATOR	1							
11	2	119746-44890	SPACER	2							
12	2	119746-44960	BRACKET, RADIATOR	1							
13	2	119746-44970	BRACKET, RADIATOR	1							
14	2	119746-44980	BRACKET, RADIATOR	1							
15	2	26106-060162	BOLT, M6X 16 PLATED	6							
16	2	26106-080162	BOLT, M8X 16 PLATED	4							
17	2	26106-080354	BOLT, M8X 35 PLATED	1							
18	2	26366-080002	NUT, M8	4							
19	2	26366-080002	NUT, M8	2							
20	1	124450-44510	TANK ASSY, SUB	1							
21	2	124450-44520	BODY, TANK	1							
22	2	124450-44530	CAP	1							
23	2	124450-44560	RETAINER	1							
24	2	23061-070230	PIPE, 7X 230	1							
25	1	124450-44550	BAND	1							
26	1	119802-44560	GUARD	1							
27	1	121256-44600	BRACKET, SUB TANK	1							
29	1	129946-44900	BRACKET, SUB TANK	1							
30	1	119546-44910	STAY, MUFFLER A	1							
31	1	119546-44920	STAY, MUFFLER B	1							
32	1	119546-44950	BRACKET, RADIATOR	2							
33	1	119802-49010	PIPE, WATER	1							
34	1	119802-49020	PIPE, WATER	1							
35	1	129550-49101	COCK ASSY, 2-WAY	1							
36	2	129150-49081	COCK, DRAIN	1							
37	2	129550-49090	BODY, 2-WAY COCK	1							
38	1	124579-49160	PIPE, WATER DRAIN	1							
39	1	129210-49320	PIPE, WATER DRAIN	1							
40	2	129209-49200	PIPE, WATER DRAIN	1							
41	2	124766-59050	CLIP, HOSE 12	2							
42	1	124766-59050	CLIP, HOSE 12	2							
43	1	23000-035000	CLAMP, 35	4							
44	1	26106-060162	BOLT, M6X 16 PLATED	8							

Remarks  
\* THIS FIGURE(RADIATOR ASSY)IS  
OPTIONAL PART.

N:Old  $\frac{100}{100}$  New, Q:Old  $\frac{100}{100}$  New, R:Old  $\frac{100}{100}$  New, S:Old  $\frac{100}{100}$  New, W:Add, Z:Discontinued, F:Interchangeable by set, K:Qty Change  
++ CONTINUE ++  
Copyright (C) YANMAR CO., LTD. All Rights Reserved.

Fig.11. RADIATOR



(A)=3TNV70-HGEP  
(B)=  
(C)=

(D)=  
(E)=  
(F)=

No.	Lev.	Parts No.	Description	Q'ty						I	R
				(A)	(B)	(C)	(D)	(E)	(F)		
45	1	26106-080122	BOLT, M8X 12 PLATED	2							
45-1	1	26106-080122 (A=EXXXXX)	BOLT, M8X 12 PLATED	1							K
46	1	26106-080162	BOLT, M8X 16 PLATED	10							
46-1	1	26106-080162 (A=EXXXXX)	BOLT, M8X 16 PLATED	9							K
47	1	26106-080202	BOLT, M8X 20 PLATED	8							
48	1	26366-080002	NUT, M8	2							
49	1	119746-08100	FOOT	2							
50	1	119888-08110	FOOT	2							
51	1	26106-100202	BOLT, M10X 20 PLATED	8							
52	1	26106-100302	BOLT, M10X 30 PLATED	8							
53	1	129946-07000 (A=EXXXXX)	LABEL, NO OPEN	1							W

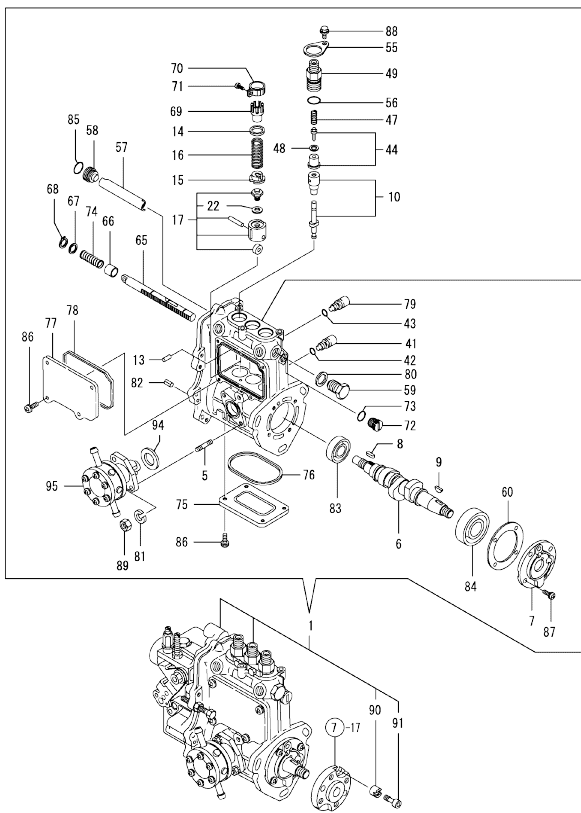
Remarks  
\* THIS FIGURE(RADIATOR ASSY)IS  
OPTIONAL PART.

N:Old  $\frac{100}{100}$  New, Q:Old  $\frac{100}{100}$  New, R:Old  $\frac{100}{100}$  New, S:Old  $\frac{100}{100}$  New, W:Add, Z:Discontinued, F:Interchangeable by set, K:Qty Change  
Copyright (C) YANMAR CO., LTD. All Rights Reserved.

Fig.12. FUEL INJECTION PUMP

(A)=3TNV70-HGEP  
(B)=  
(C)=

(D)=  
(E)=  
(F)=



No.	Lev.	Parts No.	Description	Q'ty						I	R	
				(A)	(B)	(C)	(D)	(E)	(F)			
1	1	719546-51360	PUMP ASSY, INJECTION	1							1	
5	2	129155-51020	STUD	2								
6	2	119717-51030	CAMSHAFT	1								
7	2	119717-51060	SUPPORT, CAMSHAFT	1								
8	2	119717-51070	KEY	1								
9	2	122710-51090	KEY	1								
10	2	119415-51100	PLUNGER ASSY	3								
13	2	129155-51140	PIN	3								
14	2	158600-51170	RETAINER, SPRING	3								
15	2	119717-51570	RETAINER, SPRING	3								
16	2	119717-51190	SPRING, PLUNGER	3								
17	2	119717-51200	TAPPET ASSY	3								
22	3	129155-51600	SHIM SET, ADJUSTING	1								
41	2	158600-51270	STOPPER, TAPPET	3								
42	2	129155-51280	O-RING, S6	3								
43	2	129155-51280	O-RING, S6	1								
44	2	119717-51300	VALVE ASSY, DELIVERY	3								
47	2	119717-51330	SPRING, DELIVERY	3								
48	2	124550-51350	GASKET, DELIVERY	3								
49	2	158600-51442	VALVE ASSY, DELIVERY	3								
55	2	118400-51370	LOCKING	3								
56	2	24316-000150	O-RING, 4DP15.0	3								
57	2	129155-51400	DEFLECTOR	1								
58	2	158600-51410	PLUG, DEFLECTOR	1								
59	2	158600-51420	PLUG, DEFLECTOR	1								
60	2	129155-51450	SHIM SET, ADJUSTING	1								
65	2	119717-51500	RACK, CONTROL	1								
66	2	129155-51521	BUSH, RACK	1								
67	2	129155-51530	SPACER	1								
68	2	129155-51540	CIRCLIP	1								
69	2	129155-51550	PINION, CONTROL	3								
70	2	129100-51560	PINION	3								
71	2	129100-51570	SCREW	3								
72	2	158600-51570	PLUG	1								
73	2	129155-51580	O-RING	1								
74	2	129155-51591	SPRING, RACK	1								
75	2	129155-51701	COVER	1								
76	2	119717-51711	GASKET	1								
77	2	119717-51750	COVER	1								
78	2	119717-51761	GASKET	1								
79	2	158600-51790	STOOPER, RACK	1								
80	2	22190-160002	WASHER, SEAL 16	1								
81	2	22217-060000	WASHER, SPRING 6	2								
82	2	22351-050010	PIN, SPRING 5.0X10	2								
83	2	24101-060034	BEARING, BALL 6003	1								
84	2	24101-063034	BEARING, BALL 6303	1								
85	2	119717-51420	O-RING	1								
86	2	26022-050122	SCREW, M5X12	8								
87	2	26022-060162	SCREW, M6X16	4								
88	2	26106-050102	BOLT, M5X 10 PLATED	3								
89	2	26716-060002	NUT, M6	2								

Remarks  
(1) GOVERNOR ASSY(FIG.13) IS  
INCORPORATED IN THIS FOP.CMP  
(REF.NO.1).

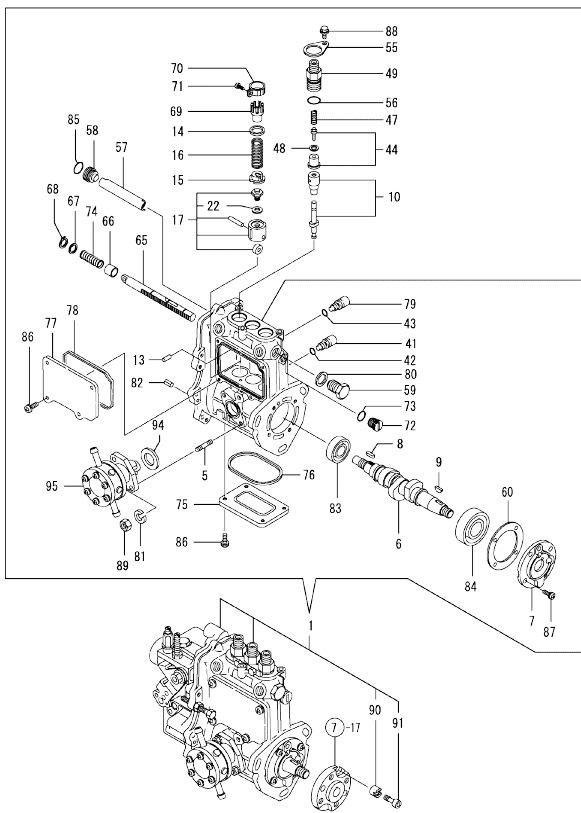
N:Old  $\frac{New}{Old}$  New, Q:Old  $\frac{New}{Old}$  New, R:Old  $\frac{New}{Old}$  New, S:Old  $\frac{New}{Old}$  New, W:Add, Z:Discontinued, F:Interchangeable by set, K:Q'ty Change  
++ CONTINUE ++  
Copyright (C) YANMAR CO., LTD. All Rights Reserved.



Fig.12. FUEL INJECTION PUMP

(A)=3TNV70-HGEP  
(B)=  
(C)=

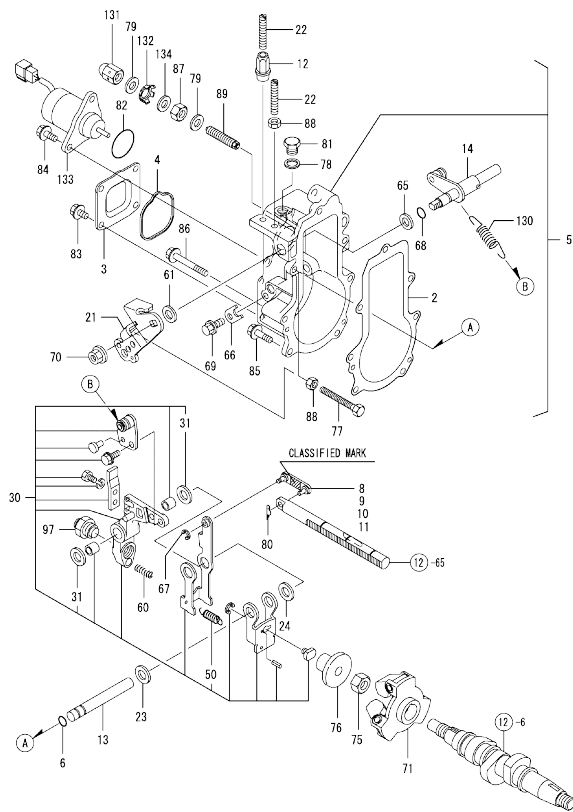
(D)=  
(E)=  
(F)=



No.	Lev.	Parts No.	Description	Q'ty					
				(A)	(B)	(C)	(D)	(E)	(F)
90	2	119717-51480	COLLAR	1					
91	2	119717-51490	BOLT	1					
94	2	129155-52051	GASKET	1					
95	2	129100-52101	PUMP ASSY, FUEL FEED	1					

Remarks  
(1) GOVERNOR ASSY(FIG.13) IS  
INCORPORATED IN THIS FOP.CMP  
(REF.NO.1).

Fig.13. GOVERNOR

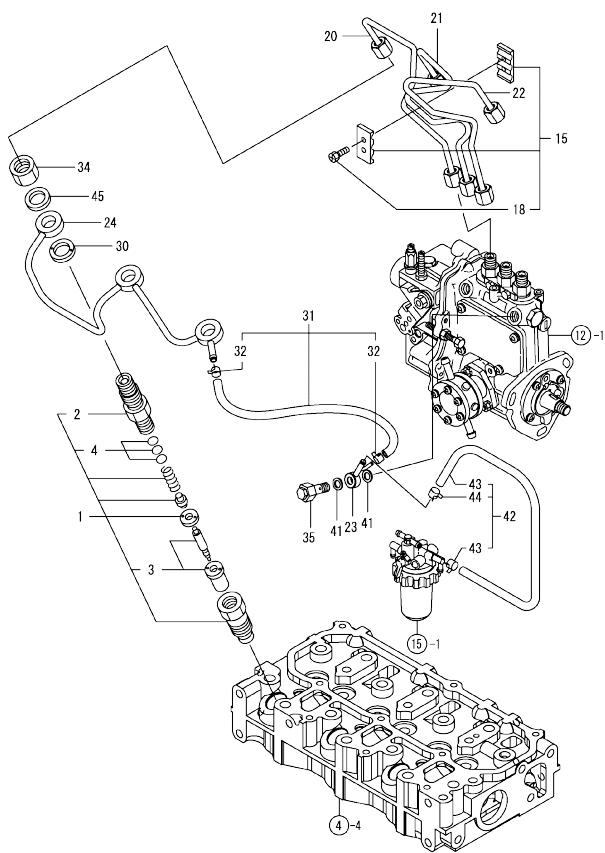


Remarks

(1) SELECTIVE PARTS: CERTAIN THE CLASSIFICATION MARK, THEN PLACE YOUR ORDER.(REF TO ILLUSTRATION)  
 \* THIS FIGURE(GOVERNOR ASSY)IS INCORPORATED IN THE FUEL INJECTION PUMP ASSY(FIG.12).

No.	Lev.	Parts No.	Description	Q'ty						I	R
				(A)	(B)	(C)	(D)	(E)	(F)		
2	2	119717-61050	GASKET	1							
3	2	119717-61060	COVER, GOVERNOR CASE	1							
4	2	119717-61070	GASKET	1							
5	2	119742-61100	CASE ASSY, GOVERNOR	1							
6	3	129155-51280	O-RING, S6	1							
8	3	119717-61120	LINK, MARK :3	1							1
9	3	119717-61130	LINK, MARK 98	1							1
10	3	119717-61140	LINK, MARK 88	1							1
11	3	119717-61150	LINK, MARK 03	1							1
12	3	129209-61370	NUT, M6	1							
13	3	129052-61390	SHAFT	1							
14	3	119717-61400	SHAFT ASSY	1							
21	3	119515-61440	LEVER, CONTROL	1							
22	3	129155-61450	BOLT, LIMITER	2							
23	3	129156-61460	SHIM, T=0.6	1							
24	3	129155-61480	SPACER ASSY	1							
30	3	119717-61500	LEVER ASSY, GOVERNOR	1							
31	4	174307-51700	SHIM SET	2							
50	4	129486-61540	SPRING, SET	1							
60	3	129100-61650	SPRING, CONTROLLER	1							
61	3	158552-61700	SHIM SET	1							
65	3	158552-61710	SHIM, T=1.0	1							
66	3	119660-61901	RETAINER, SHAFT	1							
67	3	22272-000030	RING, E- 3	1							
68	3	24341-000070	O-RING, 1AS7.0	1							
69	3	26106-060102	BOLT, M6X 10 PLATED	1							
70	3	26366-080002	NUT, M8	1							
71	2	119717-61200	WEIGHT ASSY,GOVERNOR	1							
75	2	119660-61300	NUT	1							
76	2	129155-61341	SLEEVE	1							
77	2	129155-61460	BOLT, IDLE	1							
78	2	22190-100002	WASHER, SEAL 10	1							
79	2	22190-120002	WASHER, SEAL 12	2							
80	2	22372-040000	PIN, SNAP 4	1							
81	2	23887-100002	PLUG, 10	1							
82	2	158552-61900	O-RING	1							
83	2	26106-060102	BOLT, M6X 10 PLATED	4							
84	2	26106-060142	BOLT, M6X 14 PLATED	2							
85	2	26106-060202	BOLT, M6X 20 PLATED	4							
86	2	26106-060452	BOLT, M6X 45 PLATED	3							
87	2	26736-120002	NUT, M12	1							
88	2	26756-060002	NUT, LOCK M6	2							
89	2	158601-61700	LIMITER ASSY, FUEL	1							
97	2	119761-61560	ANGLEICH ASSY	1							
130	2	129500-61720	SPRING, GOVERNOR	1							
131	2	129209-61930	NUT, CAP	1							
132	2	129209-61970	PLATE	1							
133	2	119653-77950	SOLENOID, STOP	1							
134	2	23414-120016	GASKET, 12X1.0	1							

Fig.14. FUEL INJECTION VALVE



(A)=3TNV70-HGEP  
(B)=  
(C)=

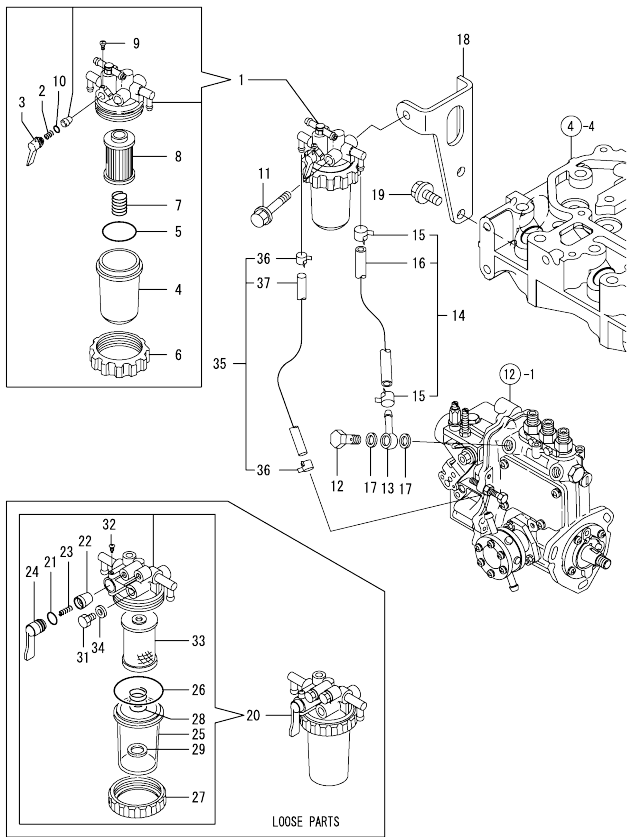
(D)=  
(E)=  
(F)=

No.	Lev.	Parts No.	Description	Q'ty						I	R
				(A)	(B)	(C)	(D)	(E)	(F)		
1	1	119515-53001	VALVE ASSY,INJECTION	3							
2	2	118200-53010	HOLDER, NOZZLE	3							
3	2	119515-53010	VALVE ASSY,INJECTION	3							
4	2	129901-53800	SHIM SET, ADJUSTING	3							1
15	1	129150-59120	RETAINER, PIPE	1							
18	2	129150-59131	BOLT, M4X14	2							
20	1	119546-59810	PIPE ASSY, INJECTION	1							
21	1	119546-59820	PIPE ASSY, INJECTION	1							
22	1	119546-59830	PIPE ASSY, INJECTION	1							
23	1	119840-59570	JOINT	1							
24	1	119515-59540	PIPE ASSY, RETURN	1							
30	1	129901-59560	GASKET	3							
31	1	119540-59570	PIPE ASSY, RETURN	1							
32	2	124066-59100	CLIP, HOSE 8	2							
34	1	119620-59700	NUT, NOZZLE	3							
35	1	119813-59950	VALVE ASSY, CHECK	1							
41	1	22190-120002	WASHER, SEAL 12	2							
42	1	129210-59150	PIPE ASSY, FUEL	1							
43	2	124766-59050	CLIP, HOSE 12	2							
44	2	105025-59530	PIPE, FUEL D13X400	1							
45	1	22190-120002	WASHER, SEAL 12	3							

Remarks  
(1) REPAIR PART.

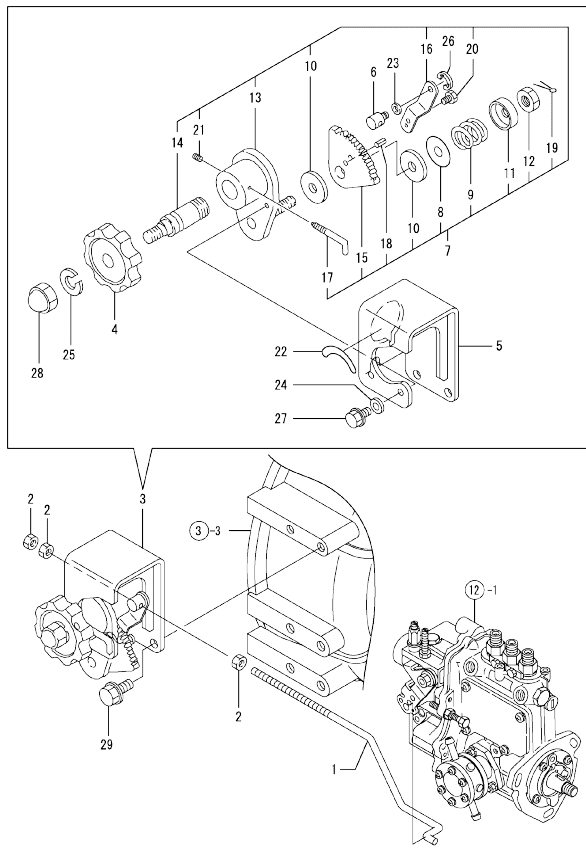
N:Old  $\frac{100}{100}$  New, Q:Old  $\frac{100}{100}$  New, R:Old  $\frac{100}{100}$  New, S:Old  $\frac{100}{100}$  New, W:Add, Z:Discontinued, F:Interchangeable by set, K:Qty Change  
Copyright (C) YANMAR CO., LTD. All Rights Reserved.

Fig.15. FUEL LINE



No.	Lev.	Parts No.	Description	Q'ty						I	R
				(A)	(B)	(C)	(D)	(E)	(F)		
1	1	119833-55620	FILTER ASSY, FUEL	1							
2	2	104200-55330	SPRING, VALVE	1							
3	2	119810-55340	LEVER	1							
4	2	121254-55510	COVER	1							
5	2	102103-55520	O-RING	1							
6	2	110250-55610	RING, RETAINING	1							
7	2	121250-55620	SPRING	1							
8	2	119810-55650	ELEMENT	1							
9	2	104200-55750	SCREW, M4	1							
10	2	24311-240100	O-RING, 1AP10A	1							
11	1	26014-080702	BOLT, M8X 70	1							
12	1	103854-39140	BOLT, PIPE JOINT	1							
13	1	101304-59020	JOINT, PIPE 12	1							
14	1	129210-59080	PIPE ASSY, FUEL	1							
15	2	124766-59050	CLIP, HOSE 12	2							
16	2	129136-59110	PIPE, D13/7.5X270	1							
17	1	22190-120002	WASHER, SEAL 12	2							
18	1	119717-55650	BRACKET, FILTER	1							
19	1	26106-080162	BOLT, M8X 16 PLATED	2							
20	1	129335-55700	SEPARATOR ASSY, WATER	1							
21	2	24311-240100	O-RING, 1AP10A	1							
22	2	104200-55321	VALVE, TAPER	1							
23	2	104200-55330	SPRING, VALVE	1							
24	2	104200-55341	HANDLE	1							
25	2	124064-55510	COVER	1							
26	2	102103-55520	O-RING	1							
27	2	110250-55610	RING, RETAINING	1							
28	2	121257-55720	SPRING	1							
29	2	121257-55731	FLOAT	1							
31	2	101720-55750	PLUG, 6	2							
32	2	104200-55750	SCREW, M4	1							
33	2	171081-55910	SCREEN	1							
34	2	23418-060000	GASKET, 6X1.0	2							
35	1	129210-59150	PIPE ASSY, FUEL	1							
36	2	124766-59050	CLIP, HOSE 12	2							
37	2	105025-59530	PIPE, FUEL D13X400	1							

Fig.16. ENGINE CONTROL DEVICE



(A)=3TNV70-HGEP  
(B)=  
(C)=

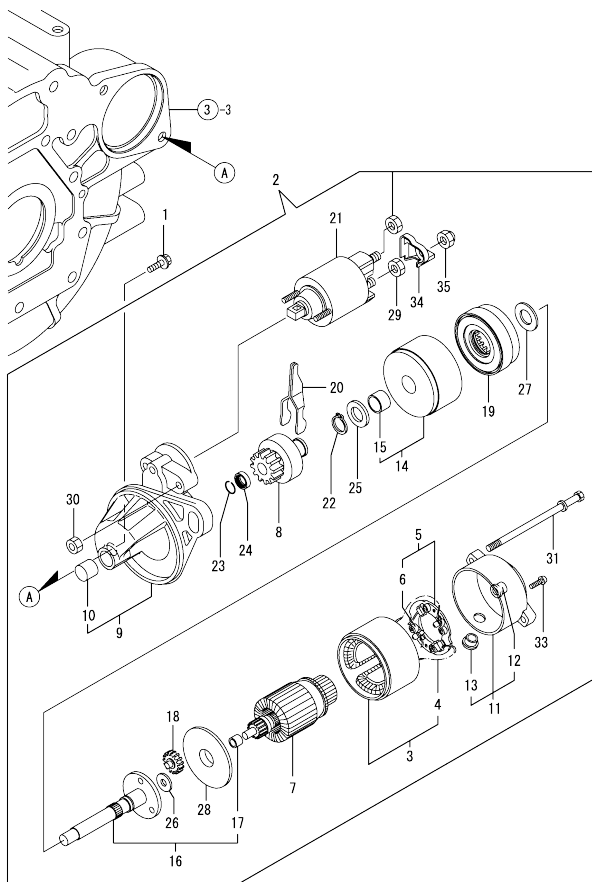
(D)=  
(E)=  
(F)=

No.	Lev.	Parts No.	Description	Qty					
				(A)	(B)	(C)	(D)	(E)	(F)
1	1	119746-66120	LINK, ENGINE CONTROL	1					
2	1	26756-050002	NUT, LOCK M5	3					
3	1	119888-66161	CONTROLLER ASSY	1					
4	2	126650-66020	HANDLE, REGULATOR	1					
5	2	119888-66111	BRACKET	1					
6	2	119888-66130	PIVOT	1					
7	2	171048-67010	CONTROLLER ASSY	1					
8	3	171102-66080	WASHER	1					
9	3	104200-66820	SPRING	1					
10	3	104200-66831	PLATE, FRICTION	2					
11	3	104200-66850	WASHER	1					
12	3	104200-66860	NUT	1					
13	3	171085-67100	BRACKET	1					
14	3	171085-67110	SHAFT, DRIVE	1					
15	3	171085-67120	GEAR	1					
16	3	171048-67130	LEVER	1					
17	3	171048-67140	STOPPER	1					
18	3	22351-020006	PIN, SPRING 2.0X 6	1					
19	3	22411-200150	COTTER PIN	1					
20	3	26116-060082	BOLT, M6X 8 PLATED	1					
21	3	26921-050122	SCREW, M5X12	1					
22	2	170064-67210	LABEL, HANDLE	1					
23	2	22117-060000	WASHER, 6	1					
24	2	22137-100000	WASHER, 10	1					
25	2	22217-100000	WASHER, SPRING 10	1					
26	2	22272-000050	RING, E- 5	1					
27	2	26106-060102	BOLT, M6X 10 PLATED	2					
28	2	26657-100002	NUT, CAP M10	1					
29	1	26106-080162	BOLT, M8X 16 PLATED	2					

Remarks  
\* THIS FIGURE(ENGINE CONTROL DEVICE)  
ASSY)IS OPTIONAL PART.

N:Old  $\frac{New}{Old}$  New, Q:Old  $\frac{New}{Old}$  New, R:Old  $\frac{New}{Old}$  New, S:Old  $\frac{New}{Old}$  New, W:Add, Z:Discontinued, F:Interchangeable by set, K:Qty Change  
Copyright (C) YANMAR CO., LTD. All Rights Reserved.

Fig.17. STARTING MOTOR



(A)=3TNV70-HGEP  
(B)=  
(C)=

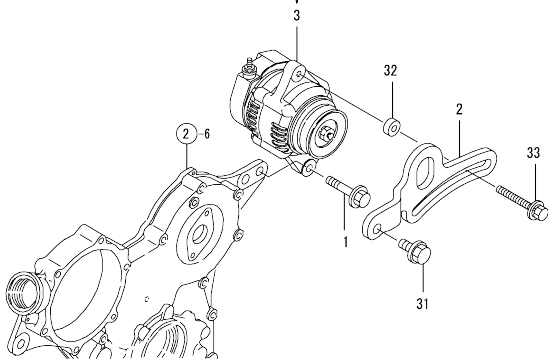
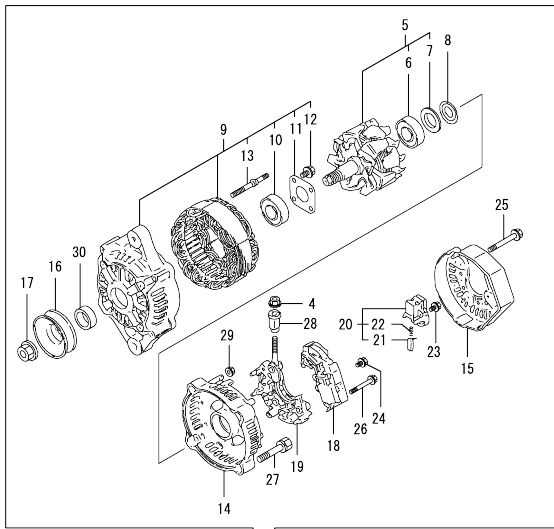
(D)=  
(E)=  
(F)=

No.	Lev.	Parts No.	Description	Q'ty						I	R
				(A)	(B)	(C)	(D)	(E)	(F)		
1	1	26106-100252	BOLT, M10X 25 PLATED	2							
2	1	119515-77010	STARTER, P1.1	1							
3	2	X0281007680	YOKE ASSY	1							
4	3	X0280996180	STARTER KIT	2							
5	2	X0285105190	HOLDER ASSY	1							
6	3	X0285205030	SPRING	4							
7	2	X0282005871	ARMATURE ASSY	1							
8	2	X0283006960	CLUTCH ASSY	1							
9	2	X4284001590	HOUSING ASSY,STARTER	1							
10	3	X9491050100	BEARING, NEEDLE	1							
11	2	X0285007030	FRAME ASSY.	1							
12	3	X9491040990	BEARING	1							
13	3	X0280626010	COVER	1							
14	2	X0284105040	BEARING ASSY	1							
15	3	X9491034330	BEARING	1							
16	2	X0286105010	SHAFT ASSY	1							
17	3	X9491034320	BEARING	1							
18	2	X0286305010	GEAR	3							
19	2	X0286355010	GEAR	1							
20	2	X0287405140	LEVER	1							
21	2	X0534007800	SWITCH ASSY	1							
22	2	X9055715000	RING	1							
23	2	X9490721360	RING	1							
24	2	X0280210331	NUT	1							
25	2	X9490138110	WASHER	1							
26	2	X9490138090	WASHER	1							
27	2	X9490138100	WASHER	1							
28	2	X0284525010	PLATE	1							
29	2	X9490562360	NUT	1							
30	2	X9490560750	NUT	2							
31	2	X9490423520	BOLT, THROUGH	2							
33	2	X9490065670	SCREW, M4X6	2							
34	2	X0280335360	COVER, TERMINAL	1							
35	2	X1289510130	NUT	1							

Fig.18. GENERATOR

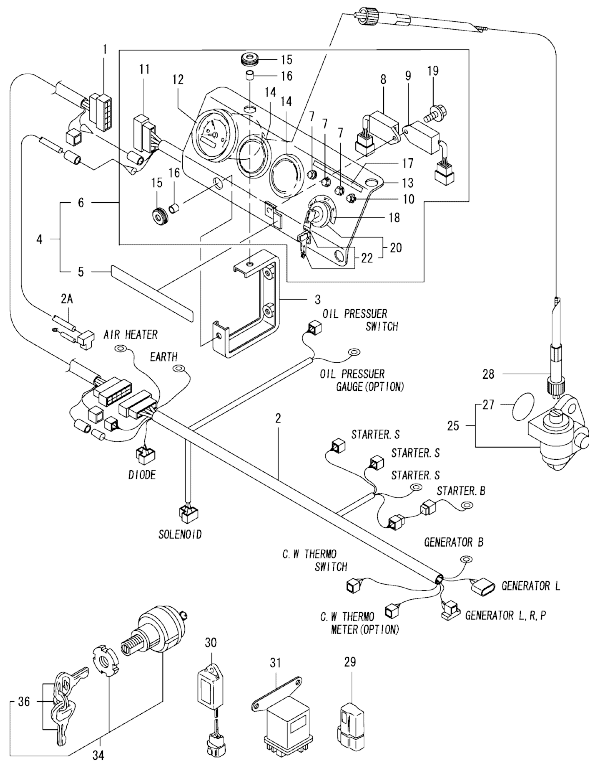
(A)=3TNV70-HGEP  
(B)=  
(C)=

(D)=  
(E)=  
(F)=



No.	Lev.	Parts No.	Description	Q'ty					
				(A)	(B)	(C)	(D)	(E)	(F)
1	1	26106-100452	BOLT, M10X 45 PLATED	1					
2	1	119734-77310	ADJUSTER	1					
3	1	129423-77200	GENERATOR, 12V-40A	1					
4	2	X9490561001	NUT	1					
5	2	119620-77380	ROTOR ASSY	1					
6	3	119620-79240	BALL BEARING	1					
7	3	119620-79250	COVER, BEARING	1					
8	2	119620-79360	WASHER, THRUST	1					
9	2	119620-77421	FRAME ASSY, DRIVE	1					
10	3	119620-79200	BALL BEARING	1					
11	3	119620-79210	PLATE	1					
12	3	119620-79220	SCREW	4					
13	3	119620-79230	BOLT, STUD	2					
14	2	119620-77440	FLAME ASSY, REAR	1					
15	2	129240-79300	COVER	1					
16	2	119620-77461	PULLEY	1					
17	2	119620-77471	NUT	1					
18	2	129423-77710	REGULATOR ASSY	1					
19	2	119620-79260	HOLDER	1					
20	2	119620-79270	HOLDER, BRUSH	1					
21	3	119620-77480	BRUSH ASSY	2					
22	3	119620-79280	SPRING	2					
23	2	119620-79290	SCREW	6					
24	2	119620-79300	SCREW	1					
25	2	119620-79310	BOLT	3					
26	2	119620-79320	SCREW W/WASHER	2					
27	2	119620-79330	BOLT	2					
28	2	119620-79340	INSULATION BUSH	1					
29	2	119620-79350	NUT	2					
30	2	119620-77490	COLLAR	1					
31	1	26106-080202	BOLT, M8X 20 PLATED	1					
32	1	119940-77270	SPACER, GENERATOR	1					
33	1	129972-77341	BOLT, ADJUSTER L=50	1					

Fig.19. ELECTRIC PARTS



(A)=3TNV70-HGEP  
(B)=  
(C)=

(D)=  
(E)=  
(F)=

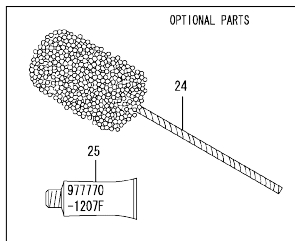
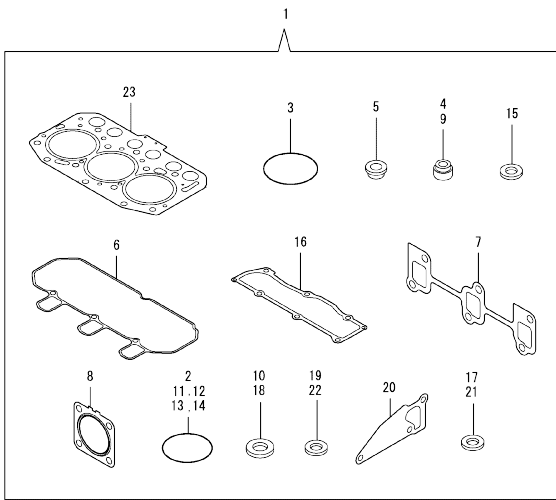
No.	Lev.	Parts No.	Description	Q'ty						I	R
				(A)	(B)	(C)	(D)	(E)	(F)		
1	1	119946-91010	CORD, EXTENSION	1							
2	1	119888-91026	HARNESS, WIRE	1							
2-1	1	119888-91027	HARNESS, WIRE	1							N
(A=2008.10.)											
2A	1	119946-91020	CORD, EXTENSION	1							W
(A=EZZZZZ)											
3	1	119888-91120	SUPPORT		2						
4	1	119888-91102	PANEL ASSY		1						
5	2	104507-07190	LABEL, YANMAR		1						
6	2	170121-91101	PANEL ASSY		1						
7	3	124732-77720	LAMP, CHARGING		3						
8	3	128300-77920	TIMER		1						
9	3	129211-77920	TIMER		1						
10	3	124559-77971	LAMP, PILOT		1						
11	3	119888-91032	HARNESS, WIRE		1						
12	3	171080-91101	TACHOMETER		1						
13	3	119888-91110	BODY, PANEL		1						
14	3	124770-91220	COVER		2						
15	3	121400-91520	ABSORBER		4						
16	3	121400-91530	SPACER		4						
17	3	119888-91610	LABEL, CW & OIL LAMP		1						
18	3	119888-91620	LABEL, KEY SWITCH		1						
19	3	26106-060102	BOLT, M6X 10 PLATED		1						
20	3	933110-00100	SWITCH ASSY, STARTER		1						
22	4	933110-00301	KEY ASSY		2						
25	1	129150-91400	GEAR		1						
27	2	24341-000240	O-RING, 1AS24.0		1						
28	1	124737-91420	CABLE, TACHOMETER		1						
29	1	119643-66900	DIODE		1						
30	1	129211-77920	TIMER		1						
31	1	119650-77910	RELAY ASSY, GLOW		1						
34	1	933110-00100	SWITCH ASSY, STARTER		1						
36	2	933110-00301	KEY ASSY		1						

Remarks

\* THIS FIGURE(ELECTRIC PARTS ASSY)IS  
OPTIONAL PART.



Fig.20. GASKET SET



Remarks  
(1)OPTIONAL PARTS.

No.	Lev.	Parts No.	Description	Q'ty						I	R	
				(A)	(B)	(C)	(D)	(E)	(F)			
1	1	719515-92620	GASKET SET	1							1	
2	2	24341-000240	O-RING, 1AS24.0	1								
3	2	121850-51960	O-RING	1								
4	2	119717-11340	SEAL, VALVE STEM	3								
5	2	129901-11450	PROTECTOR, NOZZLE	3								
6	2	119515-11310	GASKET, BONNET	1								
7	2	119717-13110	GASKET	1								
8	2	119515-13200	GASKET, SILENCER	2								
9	2	119717-11350	SEAL, VALVE STEM	3								
10	2	22190-080002	WASHER, SEAL 6	4								
11	2	24311-000320	O-RING, 1AP32.0	2								
12	2	119717-32060	O-RING, P15.0	1								
13	2	119624-32040	O-RING, P12.0	1								
14	2	119717-32050	O-RING, P17.0	3								
15	2	119600-11460	GASKET, NOZZLE	6								
16	2	119515-11330	GASKET	1								
17	2	22190-160002	WASHER, SEAL 16	1								
18	2	22190-120002	WASHER, SEAL 12	4								
19	2	129901-59560	GASKET	3								
20	2	119515-42020	GASKET, WATER PUMP	1								
21	2	23414-080000	GASKET, 8X1.0	1								
22	2	124465-44950	GASKET, 16	2								
23	2	119515-01330	GASKET, HEAD	1								
24	1	129400-92410	FLEX HORN	1								1
25	1	97770-1207F	GASKET,LIQUID	1								1

## Parts No. Index

Parts No.	Fig. No.	Ref. No.
101304-59020	15	13
101720-55750	15	31
102103-55520	15	5
		26
103854-39140	15	12
104200-55321	15	22
104200-55330	15	2
		23
104200-55341	15	24
104200-55750	15	9
		32
104200-66820	16	9
104200-66831	16	10
104200-66850	16	11
104200-66860	16	12
104507-07190	19	5
105010-11490	4	3
105025-59530	14	44
	15	37
105311-01090	1	6
105425-01690	3	10
110250-55610	15	6
		27
114220-07130	6	21
114250-39450	9	10
118200-53010	14	2
118400-51370	12	55
119131-18320	6	5
119255-44660	11	9
119265-44740	10	19
119285-01990	1	9
119285-11990	4	12
119305-35170	9	3
119358-13640	6	11
119415-51100	12	10
119515-01200	1	30
119515-01330	1	31
	20	23
119515-01720	3	7
119515-11101	4	14
119515-11110	4	15
119515-11200	4	22
119515-11240	4	23
119515-11280	4	27
119515-11310	4	47
	20	6
119515-11320	4	48
119515-11330	4	49
	20	16
119515-11380	4	36

Parts No.	Fig. No.	Ref. No.
119515-11750	4	4
119515-11800	4	10
119515-13200	6	7
		8
	20	8
119515-14400	7	2
119515-14581	7	3
119515-21700	8	1
119515-22080	8	16
119515-22300	8	22
119515-22500	8	18
119515-22550	8	34
119515-22900	8	32
119515-23000	8	24
119515-23601	8	40
119515-23611	8	38
119515-42001	10	1
119515-42002	10	1 -1
119515-42020	10	12
	20	20
119515-42041	10	3
119515-44560	11	4
119515-44600	11	6
119515-53001	14	1
119515-53010	14	3
119515-59540	14	24
119515-61440	13	21
119515-77010	17	2
119540-59570	14	31
119546-01770	3	9
119546-34801	9	1
119546-35080	9	5
119546-44500	11	3
119546-44910	11	30
119546-44920	11	31
119546-44950	11	32
119546-59810	14	20
119546-59820	14	21
119546-59830	14	22
	4	2
119600-11460	20	15
119620-01750	3	16
119620-01800	2	8
119620-02020	1	10
119620-14200	7	1
119620-21941	8	15
119620-59700	14	34
119620-77380	18	5
119620-77421	18	9
119620-77440	18	14

Parts No.	Fig. No.	Ref. No.
119620-77461	18	16
119620-77471	18	17
119620-77480	18	21
119620-77490	18	30
119620-79200	18	10
119620-79210	18	11
119620-79220	18	12
119620-79230	18	13
119620-79240	18	6
119620-79250	18	7
119620-79260	18	19
119620-79270	18	20
119620-79280	18	22
119620-79290	18	23
119620-79300	18	24
119620-79310	18	25
119620-79320	18	26
119620-79330	18	27
119620-79340	18	28
119620-79350	18	29
119620-79360	18	8
119621-21680	8	14
119623-01250	1	7
119624-32040	2	20
	20	13
119643-66900	19	29
119650-77910	19	31
119653-77950	13	133
119660-01911	2	19
119660-61300	13	75
119660-61901	13	66
119717-01501	2	1
119717-01570	2	3
119717-01611	3	3
119717-01750	2	18
119717-02411	1	13
119717-02930	1	27
119717-03031	4	37
119717-03070	4	38
		39
119717-11131	4	16
119717-11190	4	18
119717-11260	4	26
119717-11340	4	19
	20	4
119717-11350	4	20
	20	9
119717-11650	4	28
119717-13109	6	1
119717-13110	6	2

Parts No.	Fig. No.	Ref. No.
119717-13110	20	7
119717-13500	6	9
119717-13600	6	3
119717-21200	8	6
119717-21650	8	13
119717-23200	8	29
119717-23910	8	28
119717-25050	7	10
119717-25101	7	11
119717-25930	7	16
119717-32050	2	21
	20	14
119717-32060	9	4
	20	12
119717-32080	2	11
119717-32100	2	10
119717-32110	2	15
119717-32120	2	16
119717-39210	9	11
119717-42031	10	4
119717-42320	10	11
119717-42350	10	17
119717-49800	10	23
119717-51030	12	6
119717-51060	12	7
119717-51070	12	8
119717-51150	7	17
119717-51190	12	16
119717-51200	12	17
119717-51300	12	44
119717-51330	12	47
119717-51420	12	85
119717-51480	12	90
119717-51490	12	91
119717-51500	12	65
119717-51570	12	15
119717-51711	12	76
119717-51750	12	77
119717-51761	12	78
119717-55650	15	18
119717-61050	13	2
119717-61060	13	3
119717-61070	13	4
119717-61120	13	8
119717-61130	13	9
119717-61140	13	10
119717-61150	13	11
119717-61200	13	71
119717-61400	13	14
119717-61500	13	30

## Parts No. Index

Parts No.	Fig. No.	Ref. No.	Parts No.	Fig. No.	Ref. No.	Parts No.	Fig. No.	Ref. No.	Parts No.	Fig. No.	Ref. No.
119717-77800	4	56	119888-91120	19	3	124766-59050	15	36	129209-61930	13	131
119717-77820	4	57	119888-91610	19	17	124770-91220	19	14	129209-61970	13	132
119734-77310	18	2	119888-91620	19	18	126650-12680	5	11	129210-49320	11	39
119742-61100	13	5	119940-77270	18	32	126650-66020	16	4	129210-59080	15	14
119744-01521	2	6	119946-91010	19	1	128300-77920	19	8	129210-59150	14	42
119744-01590	2	4	119946-91020	19	2 A	129001-32320	2	13		15	35
119746-08100	11	49	119C10-42320	10	11 -1	129001-32330	2	14		19	9
119746-12510	5	7	121023-01551	2	33	129004-12520	5	8	129211-77920		30
119746-12550	5	1	121111-21501	8	8	129005-13600	6	10	129240-79300	18	15
119746-12600	5	2	121120-01620	3	18	129005-59830	9	12	129247-07000	11	1
119746-21570	8	9	121250-44901	10	26	129052-61390	13	13	129335-55700	15	20
119746-42800	11	2	121250-55620	15	7	129100-01580	3	1	129350-49530	10	22
119746-42801	11	2 -1A	121254-55510	15	4		8	2	129400-92410	20	24
119746-42810	11	2 -1	121256-44600	11	27	129100-35140	9	2	129423-77200	18	3
119746-42820	11	2 -1B	121257-55720	15	28	129100-51560	12	70	129423-77710	18	18
119746-44800	11	10	121257-55731	15	29	129100-51570	12	71	129486-35210	3	5
119746-44890	11	11	121400-44640	11	8	129100-52101	12	95	129486-61540	13	50
119746-44960	11	12	121400-91520	19	15	129100-61650	13	60	129500-61720	13	130
119746-44970	11	13	121400-91530	19	16	129107-44590	11	5	129508-11180	4	17
119746-44980	11	14	121450-42450	10	25	129136-59110	15	16	129550-49090	11	37
119746-66120	16	1	121520-34810	9	16	129150-11230	4	29	129550-49101	11	35
119761-61560	13	97	121850-51960	20	3	129150-11750	4	31	129900-32130	2	12
119802-03100	4	40				129150-25301	7	15	129901-11450	4	1
119802-03110	4	41	121855-13821	6	12	129150-49081	11	36		20	5
119802-03121	4	42	121855-13830	6	13	129150-59120	14	15	129901-53800	14	4
119802-03131	4	43	122710-51090	12	9	129150-59131	14	18	129901-59560	14	30
119802-03141	4	44	123500-13840	6	14	129150-91400	19	25		20	19
119802-13620	6	4	124060-01050	1	5	129155-51020	12	5	129946-07000	11	53
119802-32130	2	17	124064-55510	15	25	129155-51140	12	13	129946-44900	11	29
119802-44560	11	26	124066-59100	14	32	129155-51280	12	42	129972-77341	18	33
119802-49010	11	33	124085-02220	3	6			43	158552-61700	13	61
119802-49020	11	34	124160-01751	2	31			6	158552-61710	13	65
119808-12540	5	9				129155-51400	12	57	158552-61900	13	82
119810-02941	1	32	124160-01910	1	8	129155-51450	12	60	158600-51170	12	14
119810-55340	15	3	124450-44510	11	20	129155-51521	12	66	158600-51270	12	41
119810-55650	15	8	124450-44520	11	21	129155-51530	12	67	158600-51410	12	58
119813-59950	14	35	124450-44530	11	22	129155-51540	12	68	158600-51420	12	59
119833-55620	15	1	124450-44550	11	25	129155-51550	12	69	158600-51442	12	49
119840-59570	14	23	124450-44560	11	23	129155-51580	12	73	158600-51570	12	72
119865-21600	8	12	124465-44950	10	27	129155-51591	12	74	158600-51790	12	79
119866-12541	5	10				129155-51600	12	22	158601-61700	13	89
119888-08110	11	50	124550-51350	12	48	129155-51701	12	75	170064-67210	16	22
119888-66111	16	5	124559-77971	19	10	129155-52051	12	94	170121-91101	19	6
119888-66130	16	6	124579-49160	11	38	129155-61341	13	76	171001-42290	10	18
119888-66161	16	3	124732-77720	19	7	129155-61450	13	22	171048-67010	16	7
119888-91026	19	2	124737-91420	19	28	129155-61460	13	77	171048-67130	16	16
119888-91027	19	2 -1	124766-59050	11	41	129155-61480	13	24	171048-67140	16	17
119888-91032	19	11				129156-61460	13	23	171056-49120	10	16
119888-91102	19	4				129209-49200	11	40	171080-91101	19	12
119888-91110	19	13				129209-61370	13	12	171081-55910	15	33

## Parts No. Index

Parts No.	Fig. No.	Ref. No.
171085-67100	16	13
171085-67110	16	14
171085-67120	16	15
171102-66080	16	8
171353-44760	10	20
174307-51700	13	31
22117-060000	16	23
22137-100000	16	24
22190-080002	9	13
		15
	20	10
22190-100002	13	78
22190-120002	13	79
	14	41
		45
	15	17
	20	18
22190-160002	3	12
	12	80
	20	17
22217-060000	12	81
22217-100000	16	25
22217-120000	7	18
22242-000120	4	32
22252-000220	8	23
22272-000030	13	67
22272-000050	16	26
22276-000060	11	2 -1C
22351-020006	16	18
22351-050010	12	82
22351-060012	4	21
22372-040000	13	80
22411-200150	16	19
22512-040120	8	5
22857-500100	4	50
		51
22857-500160	4	52
23000-035000	11	43
23000-054000	5	3
23000-060000	5	4
23061-070230	11	24
23414-080000	10	13
	20	21
23414-120016	13	134
23418-060000	15	34
23857-030000	9	14
23876-005000	4	13
23876-030000	2	9
23887-100002	13	81
24101-060034	12	83

Parts No.	Fig. No.	Ref. No.
24101-063034	12	84
24311-000320	2	32
	4	53
	20	11
24311-240100	15	10
		21
24316-000150	12	56
24341-000070	13	68
24341-000240	2	34
	19	27
	20	2
26013-080162	5	5
26014-060122	11	7
26014-080702	15	11
26022-050122	12	86
26022-060162	12	87
26106-050102	12	88
26106-060102	9	9
	13	69
		83
	16	27
	19	19
26106-060122	2	23
	3	13
	7	9
26106-060142	13	84
26106-060162	2	24
		35
	11	15
		44
26106-060202	4	54
	13	85
26106-060252	3	14
26106-060352	7	14
	10	21
26106-060402	2	25
		26
	6	15
26106-060452	3	15
	13	86
26106-060602	2	27
26106-060652	2	28
26106-060752	4	55
26106-080122	10	14
	11	45
		45 -1
26106-080162	11	16
		46
		46 -1
	15	19

Parts No.	Fig. No.	Ref. No.
26106-080162	16	29
26106-080202	10	24
	11	47
	18	31
26106-080252	6	19
26106-080354	11	17
26106-080402	4	34
26106-080502	10	15
26106-100182	5	6
26106-100202	11	51
26106-100252	17	1
26106-100302	11	52
26106-100452	18	1
26116-060082	16	20
26206-100252	3	17
26306-080002	2	29
	6	6
	20	
26347-040002	6	16
26347-060002	6	17
26366-080002	11	18
		19
	48	
	13	70
26557-040352	6	18
26577-060122	10	9
26657-100002	16	28
26716-060002	12	89
26716-120002	7	19
26736-120002	13	87
26756-050002	16	2
26756-060002	13	88
26921-050122	16	21
26979-050162	4	33
27241-120000	1	14
27241-250000	10	10
719515-01560	1	1
719515-92620	20	1
719546-51360	12	1
719717-02901	1	15
719717-02911	1	35
719744-01500	2	5
933110-00100	19	20
		34
933110-00301	19	22
		36
977770-1207F	2	30
	3	2
	4	58
	20	25

Parts No.	Fig. No.	Ref. No.
X0280210331	17	24
X0280335360	17	34
X0280626010	17	13
X0280996180	17	4
X0281007680	17	3
X0282005871	17	7
X0283006960	17	8
X0284105040	17	14
X0284525010	17	28
X0285007030	17	11
X0285105190	17	5
X0285205030	17	6
X0286105010	17	16
X0286305010	17	18
X0286355010	17	19
X0287405140	17	20
X0534007800	17	21
X1289510130	17	35
X4284001590	17	9
X9055715000	17	22
X9490065670	17	33
X9490138090	17	26
X9490138100	17	27
X9490138110	17	25
X9490423520	17	31
X9490560750	17	30
X9490561001	18	4
X9490562360	17	29
X9490721360	17	23
X9491034320	17	17
X9491034330	17	15
X9491040990	17	12
X9491050100	17	10