

0CD10-M93400EN

PREFACE

1. This parts catalog is the 1st edition of 3TNV70-HGB2B export engine for generator Model "YEG150DTHS"

Pub.No. : 000Y00D9340

Published : December,2006

2. Model name

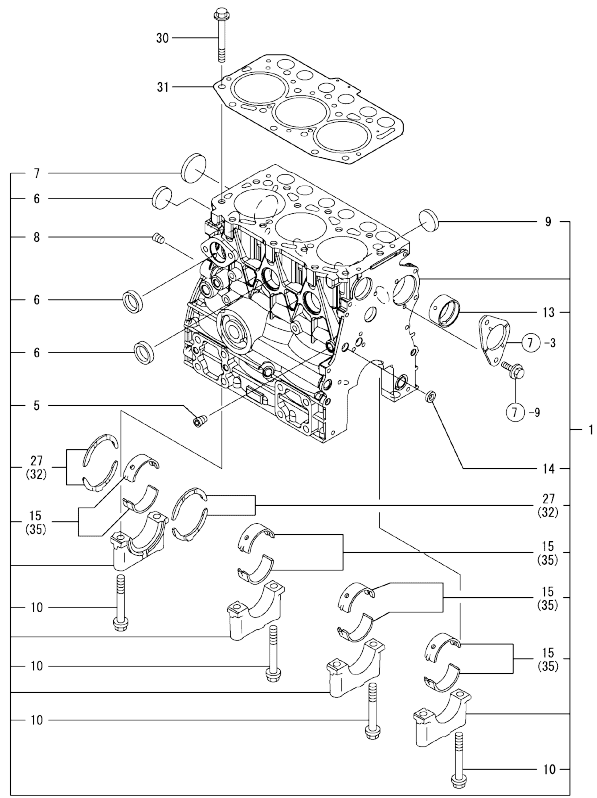
Engine model	Vehicle		Vehicle made by
	Products	Model name	
3TNV70-HGB2B	SOUNDPROOF 2P GENERATOR	YEG150DTHS	TOYO DENKI INDUSTRIAL CO.,LTD.

Contents

Fig. No.	Fig. Name	Fig. No.	Fig. Name
3TNV70-HGB2B			
1.	CYLINDER BLOCK		
2.	GEAR HOUSING		
3.	FLYWHEEL HOUSING & OIL SUMP		
4.	CYLINDER HEAD & BONNET		
5.	AIR CLEANER		
6.	EXHAUST MANIFOLD & SILENCER		
7.	CAMSHAFT & DRIVING GEAR		
8.	CRANKSHAFT & PISTON		
9.	LUB.OIL SYSTEM		
10.	COOLING WATER SYSTEM		
11.	FUEL INJECTION PUMP		
12.	GOVERNOR		
13.	FUEL INJECTION VALVE		
14.	FUEL LINE		
15.	STARTING MOTOR		
16.	GENERATOR		
17.	GASKET SET & TOOLS		

OCD10-M93400

Fig.1. CYLINDER BLOCK



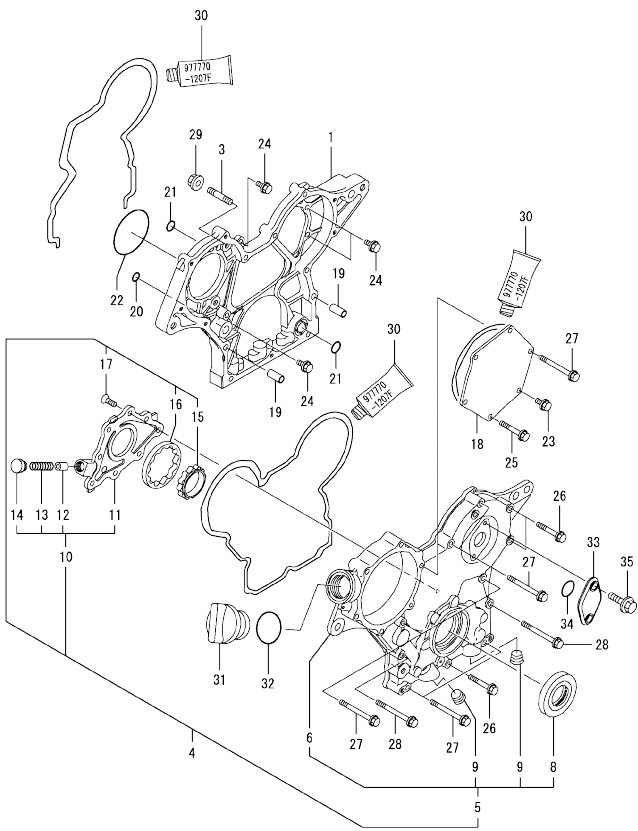
No.	Lev.	Parts No.	Description	Q'ty						I	R
				(A)	(B)	(C)	(D)	(E)	(F)		
1	1	719515-01560	BLOCK ASSY, CYLINDER	1							
5	2	124060-01050	PLUG, PT1/8	1							
6	2	105311-01090	PLUG, 30	4							
7	2	119623-01250	PLUG, 45	1							
8	2	124160-01910	PLUG, PT1/4	1							
9	2	119285-01990	PLUG, 25	3							
10	2	119620-02020	BOLT, METAL CAP	8							
13	2	119717-02411	BUSH, CAMSHAFT	1							
14	2	27241-120000	PLUG, 12	1							
15	2	719717-02901	BEARING, MAIN	4							2
27	2	119717-02930	BEARING, THRUST	2							
30	1	119515-01200	BOLT, HEAD	14							
31	1	119515-01330	GASKET, HEAD	1							
32	1	119810-02941	BEARING, THRUST 0.25	2							1
35	1	719717-02911	BEARING, 0.25 US	4							3

Remarks
 (1) OVER-SIZE(O.S=0.25)PART.
 (2) REPAIR PART.
 (3) UNDER-SIZE(U.S=0.25)PART

N:Old $\frac{100}{100}$ New, Q:Old $\frac{100}{100}$ New, R:Old $\frac{100}{100}$ New, S:Old $\frac{100}{100}$ New, W:Add, Z:Discontinued, F:Interchangeable by set, K:Q'ty Change
 Copyright (C) YANMAR CO., LTD. All Rights Reserved.

OCD10-M93400

Fig.2. GEAR HOUSING



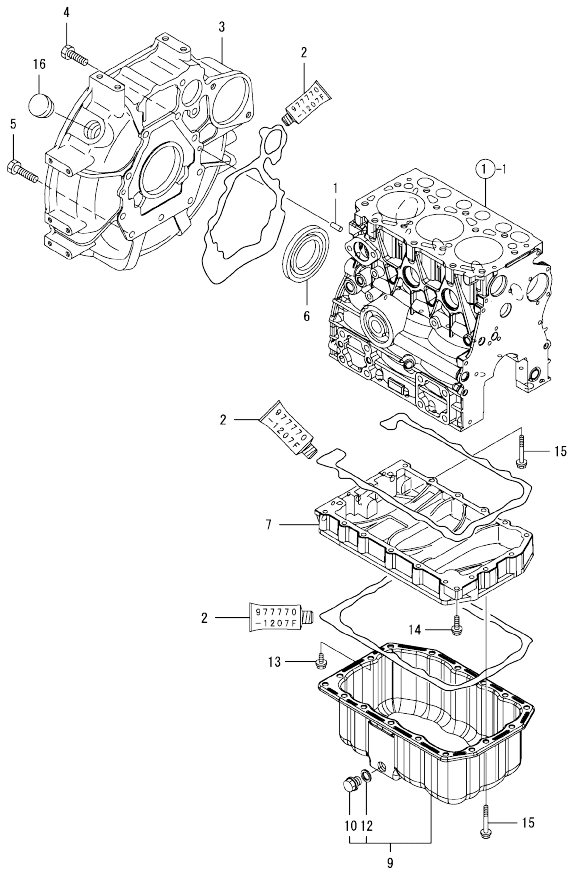
No.	Lev.	Parts No.	Description	Qty						I	R
				(A)	(B)	(C)	(D)	(E)	(F)		
1	1	119717-01501	CASE, GEAR	1							
3	1	119717-01570	STUD	3							
4	1	119734-01580	CASE ASSY, GEAR	1							
5	2	719734-01510	CASE ASSY, GEAR	1							
6	3	119744-01521	COVER, GEAR CASE	1							
8	3	119717-01800	SEAL, OIL	1							
9	3	23876-030000	PLUG, R03	2							
10	2	119717-32100	COVER ASSY	1							
11	3	119717-32080	COVER	1							
12	3	129900-32130	VALVE, RELIEF	1							
13	3	129001-32320	SPRING	1							
14	3	129001-32330	PLUG	1							
15	2	119717-32110	ROTOR, INNER	1							
16	2	119717-32120	ROTOR, OUTER	1							
17	2	119802-32130	SCREW, M6X16	8							
18	1	119717-01750	COVER	1							
19	1	119660-01911	PIPE, KNOCK	4							
20	1	119624-32040	O-RING, P12.0	1							
21	1	119717-32050	O-RING, P17.0	3							
22	1	121850-51960	O-RING	1							
23	1	26106-060122	BOLT, M6X 12 PLATED	1							
24	1	26106-060162	BOLT, M6X 16 PLATED	4							
25	1	26106-060402	BOLT, M6X 40 PLATED	4							
26	1	26106-060402	BOLT, M6X 40 PLATED	3							
27	1	26106-060602	BOLT, M6X 60 PLATED	7							
28	1	26106-060652	BOLT, M6X 65 PLATED	2							
29	1	26306-080002	NUT, M8	3							
30	1	977770-1207F	GASKET, LIQUID	1							
31	1	124160-01751	COVER, FILLER	1							1
32	1	24311-000320	O-RING, 1AP32.0	1							
33	1	121023-01551	COVER	1							
34	1	24341-000240	O-RING, 1AS24.0	1							
35	1	26106-060162	BOLT, M6X 16 PLATED	2							

Remarks
(1) OPTIONAL PART.

N:Old $\frac{New}{Old}$ New, Q:Old $\frac{New}{Old}$ New, R:Old $\frac{New}{Old}$ New, S:Old $\frac{New}{Old}$ New, W:Add, Z:Discontinued, F:Interchangeable by set, K:Qty Change
Copyright (C) YANMAR CO., LTD. All Rights Reserved.

OCD10-M93400

Fig.3. FLYWHEEL HOUSING & OIL SUMP



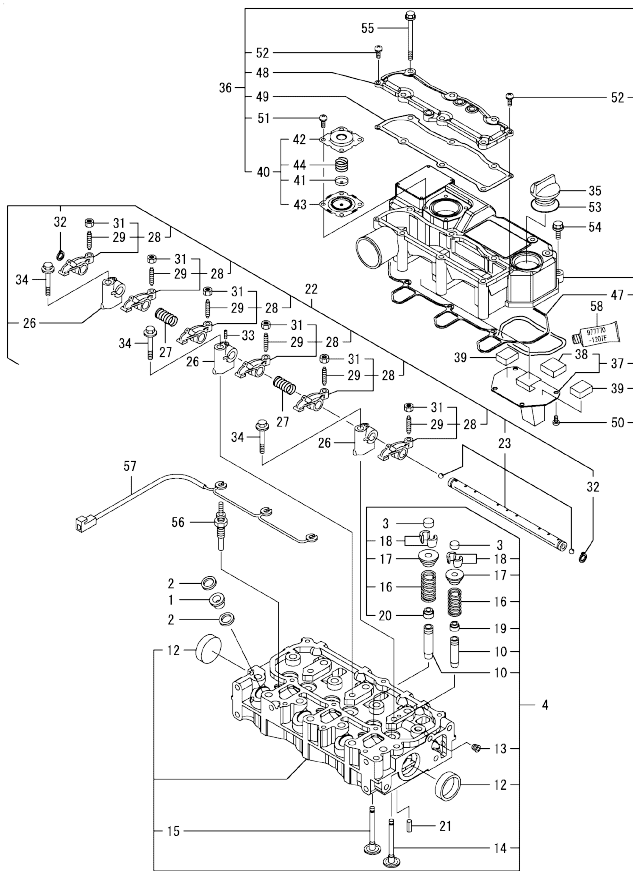
No.	Lev.	Parts No.	Description	Q'ty						I	R
				(A)	(B)	(C)	(D)	(E)	(F)		
1	1	129100-01580	PIN, M8X16	2							
2	1	977770-1207F	GASKET, LIQUID	1							1
3	1	119717-01601	HOUSING, FLYWHEEL	1							
4	1	26206-100252	BOLT, M10X 25 PLATED	8							
5	1	121120-01620	BOLT, M10X28	3							
6	1	119734-02220	SEAL, OIL	1							
7	1	119515-01720	SPACER, OIL SUMP	1							
9	1	119546-01770	SUMP ASSY, OIL	1							
10	2	105425-01690	PLUG, 16	1							
12	2	22190-160002	WASHER, SEAL 16	1							
13	1	26106-060122	BOLT, M6X 12 PLATED	1							
14	1	26106-060252	BOLT, M6X 25 PLATED	1							
15	1	26106-060452	BOLT, M6X 45 PLATED	17							
16	1	119620-01750	CAP	1							

Remarks
(1) OPTIONAL PART.

N:Old $\frac{100}{100}$ New, Q:Old $\frac{100}{100}$ New, R:Old $\frac{100}{100}$ New, S:Old $\frac{100}{100}$ New, W:Add, Z:Discontinued, F:Interchangeable by set, K:Qty Change
Copyright (C) YANMAR CO., LTD. All Rights Reserved.

OCD10-M93400

Fig.4. CYLINDER HEAD & BONNET



(A)=3TNV70-HGB2B
(B)=
(C)=

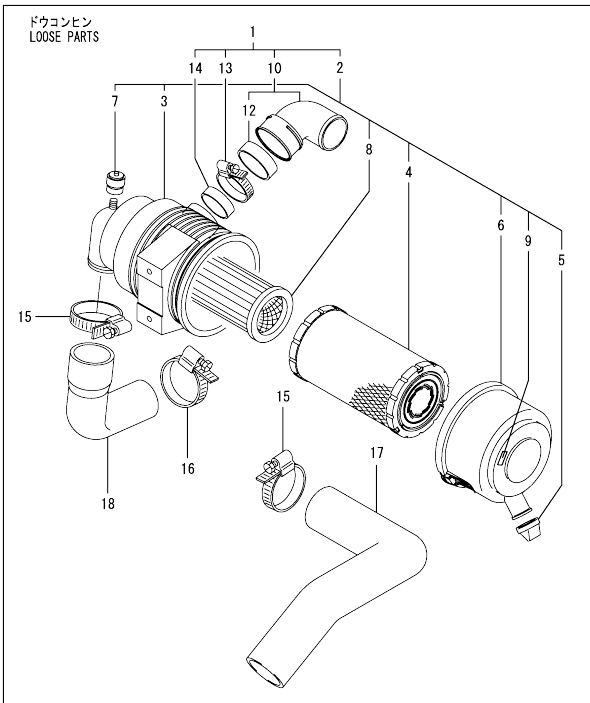
(D)=
(E)=
(F)=

No.	Lev.	Parts No.	Description	Q'ty						I	R
				(A)	(B)	(C)	(D)	(E)	(F)		
1	1	129901-11450	PROTECTOR, NOZZLE	3							
2	1	119600-11460	GASKET, NOZZLE	6							
3	1	105010-11490	CAP, VALVE	6							
4	1	119515-11750	HEAD ASSY, CYLINDER	1							1
10	2	119515-11800	GUIDE, VALVE	6							
12	2	119285-11990	PLUG, 35	2							
13	2	23876-005000	PLUG, R005	1							
14	2	119515-11101	VALVE, INTAKE	3							
15	2	119515-11110	VALVE, EXHAUST	3							
16	2	119717-11131	SPRING, VALVE	6							
17	2	129508-11180	RETAINER, SPRING	6							
18	2	119717-11190	COTTER	12							
19	2	119717-11340	SEAL, VALVE STEM	3							
20	2	119717-11350	SEAL, VALVE STEM	3							
21	1	22351-060012	PIN, SPRING 6.0X12	2							
22	1	119515-11200	SUPPORT ASSY, ARM	1							
23	2	119515-11240	SHAFT ASSY, ROCKER	1							
26	2	119717-11260	SUPPORT, ROCKER ARM	3							
27	2	119515-11280	SPRING	2							
28	2	119717-11650	ARM, ROCKER	6							
29	3	129150-11230	SCREW, VALVE ADJUST	6							
31	3	129150-11750	NUT, M8	6							
32	2	22242-000120	RING, 12	2							
33	2	26979-050162	SCREW, M5X16	1							
34	1	26106-080402	BOLT, M8X 40 PLATED	3							
35	1	124160-01751	COVER, FILLER	1							
36	1	119515-11380	BONNET ASSY, HEAD	1							
37	2	119717-03031	PLATE	1							
38	3	119717-03070	BAFFLE, BREATHER	1							
39	2	119717-03070	BAFFLE, BREATHER	2							
40	2	119802-03100	DIAPHRAGM ASSY	1							
41	3	119802-03110	PLATE	1							
42	3	119802-03121	COVER, DIAPHRAGM	1							
43	3	119802-03131	DIAPHRAGM	1							
44	3	119802-03141	SPRING, DIAPHRAGM	1							
47	2	119515-11310	GASKET, BONNET	1							
48	2	119515-11320	COVER, BONNET	1							
49	2	119515-11330	GASKET	1							
50	2	22857-500100	SCREW, 5X10	4							
51	2	22857-500100	SCREW, 5X10	4							
52	2	22857-500160	SCREW, 5X16	2							
53	1	24311-000320	O-RING, 1AP32.0	1							
54	1	26106-060202	BOLT, M6X 20 PLATED	3							
55	1	26106-060752	BOLT, M6X 75 PLATED	6							
56	1	119717-77800	PLUG, GLOW	3							
57	1	119717-77820	CONNECTOR, GLOW PLUG	1							
58	1	977770-1207F	GASKET, LIQUID	1							2

Remarks
(1) REPAIR PART.
(2) OPTIONAL PART.

N:Old $\frac{100}{100}$ New, Q:Old $\frac{100}{100}$ New, R:Old $\frac{100}{100}$ New, S:Old $\frac{100}{100}$ New, W:Add, Z:Discontinued, F:Interchangeable by set, K:Q'ty Change
Copyright (C) YANMAR CO., LTD. All Rights Reserved.

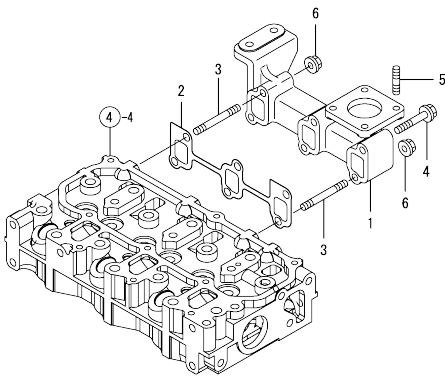
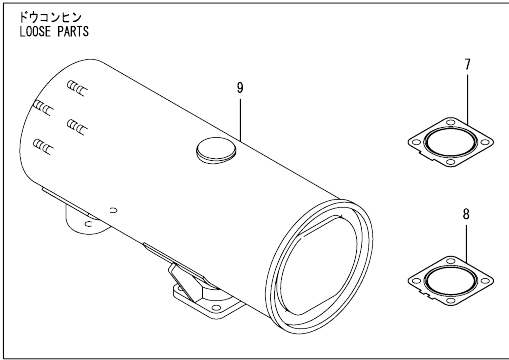
Fig.5. AIR CLEANER



No.	Lev.	Parts No.	Description	Q'ty						I	R
				(A)	(B)	(C)	(D)	(E)	(F)		
1	1	129612-12701	CLEANER ASSY, AIR	1							
2	2	119910-12601	CLEANER ASSY, AIR	1							
3	3	119910-12510	BODY, AIR CLEANER	1							
4	3	119808-12520	ELEMENT	1							
5	3	119808-12540	VALVE, UNLOADER	1							
6	3	119866-12541	COVER ASSY	1							
7	3	126650-12680	INDICATOR	1							
8	3	129051-12530	ELEMENT	1							
9	3	129612-12650	LABEL, MARKING	1							
10	2	129612-12560	ELBOW	1							
12	3	129612-12590	GASKET	1							
13	2	23000-060000	CLAMP, 60	1							
14	2	129259-12570	RING	1							
15	1	23000-060000	CLAMP, 60	2							
16	1	23000-054000	CLAMP, 54	1							
17	1	119746-12560	PIPE, AIR INTAKE	1							
18	1	119546-12550	PIPE, AIR INTAKE	1							

OCD10-M93400

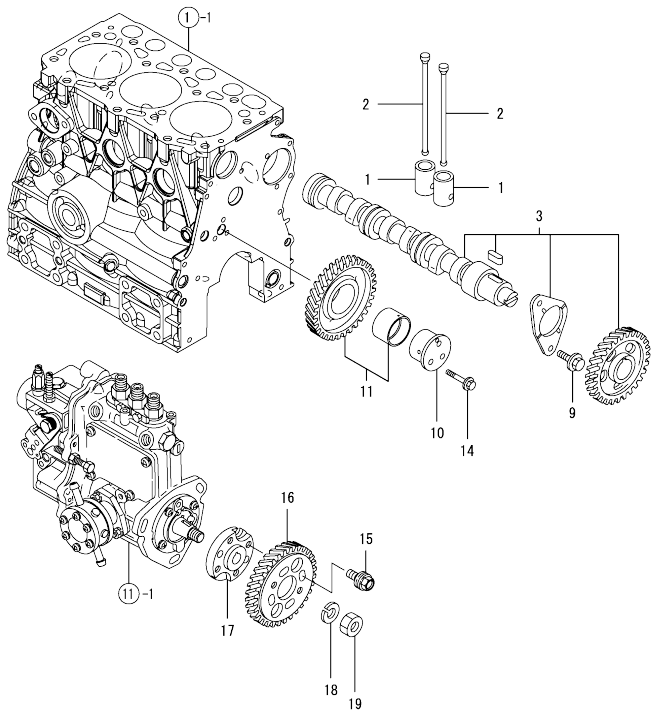
Fig.6. EXHAUST MANIFOLD & SILENCER



No.	Lev.	Parts No.	Description	Q'ty						I	R
				(A)	(B)	(C)	(D)	(E)	(F)		
1	1	119717-13109	MANIFOLD, EXHAUST	1							
2	1	119717-13110	GASKET	1							
3	1	119717-13600	STUD, M8X50	2							
4	1	119802-13620	BOLT, M8X50	2							
5	1	119131-18320	STUD, M8X22	4							
6	1	26306-080002	NUT, M8	2							
7	1	119515-13200	GASKET, SILENCER	1							
8	1	129004-13200	GASKET, SILENCER	4							
9	1	129004-13500	SILENCER	1							

OCD10-M93400

Fig.7. CAMSHAFT & DRIVING GEAR

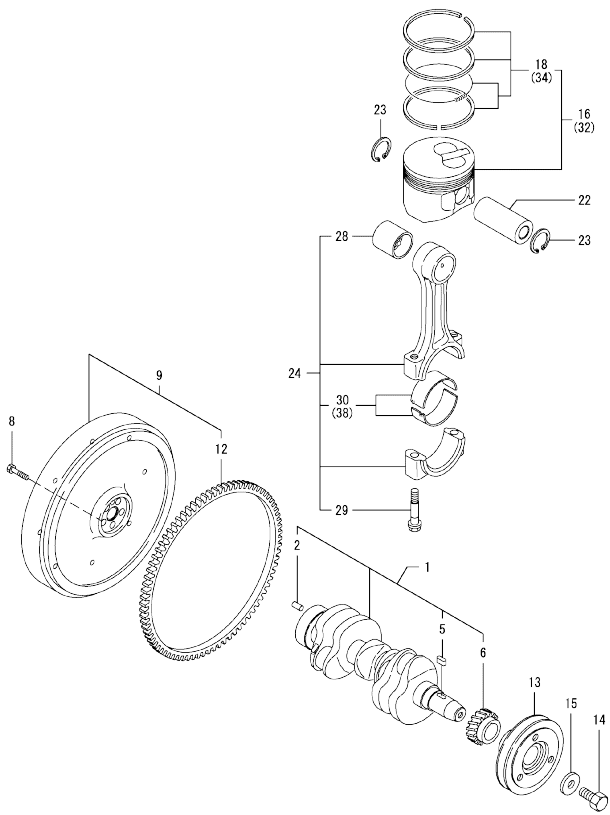


No.	Lev.	Parts No.	Description	Q'ty						I	R
				(A)	(B)	(C)	(D)	(E)	(F)		
1	1	119620-14200	TAPPET	6							
2	1	119515-14400	ROD, PUSH	6							
3	1	119515-14581	CAMSHAFT ASSY	1							
9	1	26106-060122	BOLT, M6X 12 PLATED	2							
10	1	119717-25050	SHAFT, IDLE	1							
11	1	119717-25101	GEAR ASSY, IDLE	1							
14	1	26106-060352	BOLT, M6X 35 PLATED	3							
15	1	129150-25301	BOLT	4							
16	1	119717-25930	GEAR, PUMP	1							
17	1	119717-51150	FLANGE	1							
18	1	22217-120000	WASHER, SPRING 12	1							
19	1	26716-120002	NUT, M12	1							

N:Old $\frac{100}{100}$ New, Q:Old $\frac{100}{100}$ New, R:Old $\frac{100}{100}$ New, S:Old $\frac{100}{100}$ New, W:Add, Z:Discontinued, F:Interchangeable by set, K:Q'ty Change
 Copyright (C) YANMAR CO., LTD. All Rights Reserved.

OCD10-M93400

Fig.8. CRANKSHAFT & PISTON



(A)=3TNV70-HGB2B
(B)=
(C)=

(D)=
(E)=
(F)=

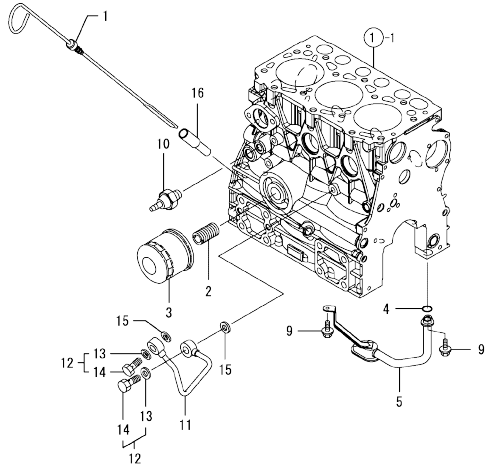
No.	Lev.	Parts No.	Description	Q'ty						I	R
				(A)	(B)	(C)	(D)	(E)	(F)		
1	1	119515-21700	CRANKSHAFT ASSY	1							
2	2	129100-01580	PIN, M8X16	1							
5	2	22512-040120	KEY, 4X 12	1							
6	2	119717-21200	GEAR, CRANKSHAFT	1							
8	1	121111-21501	BOLT, FLYWHEEL	5							
9	1	119636-21590	FLYWHEEL ASSY	1							
12	2	119865-21600	GEAR, RING	1							
13	1	119717-21650	V-PULLEY	1							
14	1	119621-21680	BOLT, FLANGE 12X1.25	1							
15	1	119620-21941	WASHER	1							
16	1	119515-22080	PISTON ASSY	3							
18	2	119515-22500	RING SET, PISTON	3							
22	1	119515-22300	PIN, PISTON	3							
23	1	22252-000220	RING, 22	6							
24	1	119515-23000	ROD ASSY, CONNECTING	3							
28	2	119717-23910	BEARING, PISTON PIN	3							2
29	2	119717-23200	BOLT, CONNECTING ROD	6							
30	2	119515-23601	BEARING, CRANK PIN	3							
32	1	119515-22900	PISTON ASSY, 0.25 OS	3							1
34	2	119515-22550	RING SET, 0.25 OS	3							1
38	1	119515-23611	METAL ASSY, 0.25	3							3

Remarks
(1) OVER-SIZE(O.S=0.25)PART.
(2) REPAIR PART.
(3) UNDER-SIZE(U.S=0.25)PART.

N:Old $\frac{100}{100}$ New, Q:Old $\frac{100}{100}$ New, R:Old $\frac{100}{100}$ New, S:Old $\frac{100}{100}$ New, W:Add, Z:Discontinued, F:Interchangeable by set, K:Qty Change
Copyright (C) YANMAR CO., LTD. All Rights Reserved.

OCD10-M93400

Fig.9. LUB.OIL SYSTEM

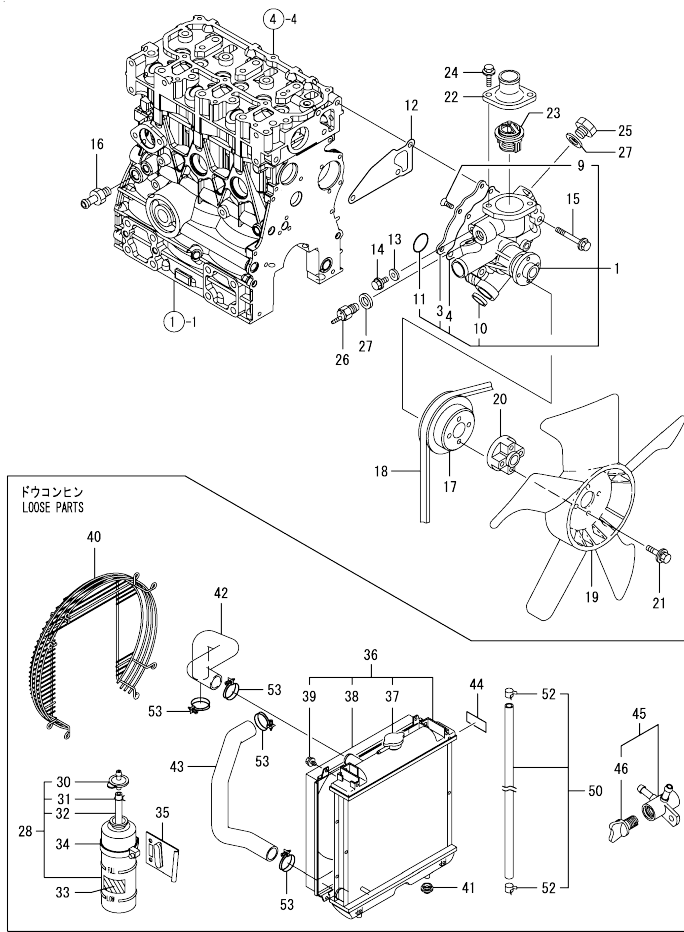


No.	Lev.	Parts No.	Description	Q'ty						I	R
				(A)	(B)	(C)	(D)	(E)	(F)		
1	1	119546-34801	DIPSTICK, OIL	1							
2	1	129100-35140	STUD	1							
3	1	119305-35151	FILTER ASSY, D68XL65	1							1
4	1	119717-32060	O-RING, P15.0	1							
5	1	119546-35080	PIPE ASSY, OIL INLET	1							
9	1	26106-060102	BOLT, M6X 10 PLATED	2							
10	1	114250-39450	SWITCH, 0.5KG	1							
11	1	119717-39210	PIPE, OIL	1							
12	1	129005-59830	BOLT ASSY, JOINT M8	2							
13	2	22190-080002	WASHER, SEAL 6	2							
14	2	23857-030000	BOLT, JOINT 3	2							
15	1	22190-080002	WASHER, SEAL 6	2							
16	1	121520-34810	GUIDE, DIPSTICK	1							

Remarks
(1) REPAIR PART.

N:Old $\frac{100}{100}$ New, Q:Old $\frac{100}{100}$ New, R:Old $\frac{100}{100}$ New, S:Old $\frac{100}{100}$ New, W:Add, Z:Discontinued, F:Interchangeable by set, K:Qty Change
Copyright (C) YANMAR CO., LTD. All Rights Reserved.

Fig.10. COOLING WATER SYSTEM

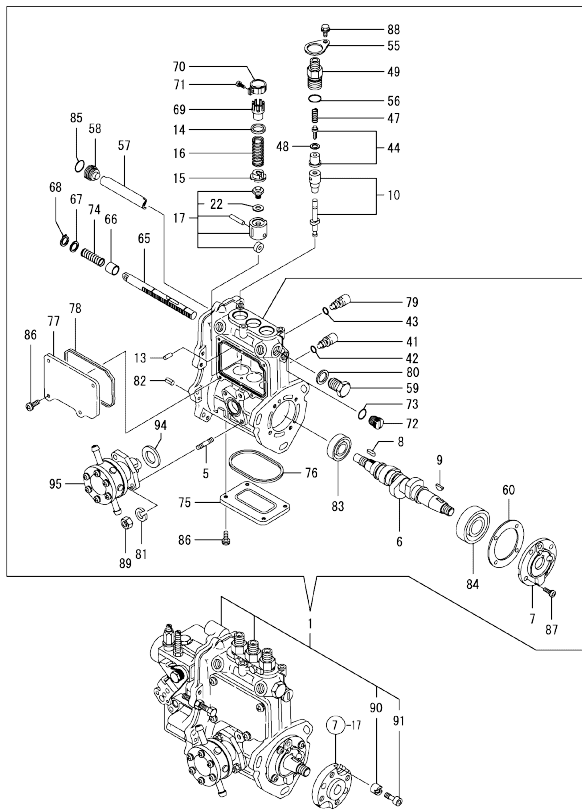


No.	Lev.	Parts No.	Description	Q'ty						I	R
				(A)	(B)	(C)	(D)	(E)	(F)		
1	1	119515-42001	PUMP ASSY, WATER	1							
1-1	1	119515-42002	PUMP ASSY, CW	1							N
(A=E/ 94497)											
3	2	119515-42041	COVER	1							
4	2	119717-42031	GASKET	1							
9	2	26577-060122	SCREW, M6X12	4							
10	2	27241-250000	PLUG, 25	1							
11	2	119717-42320	O-RING, P26	1							
11-1	2	119C10-42320	O-RING, 2028	1							S
(A=E/ 94497)											
12	1	119515-42020	GASKET, WATER PUMP	1							
13	1	23414-080000	GASKET, 8X1.0	1							
14	1	26106-080122	BOLT, M8X 12 PLATED	1							
15	1	26106-080502	BOLT, M8X 50 PLATED	3							
16	1	121550-49111	JOINT, PT1/4	1							
17	1	119515-42350	V-PULLEY, D=110	1							
18	1	129612-42340	V-BELT, A36	1							
19	1	119285-44740	FAN, D=310X5F	1							
20	1	129457-44760	SPACER, FAN	1							
21	1	26106-060452	BOLT, M6X 45 PLATED	4							
22	1	129350-49530	COVER, THERMOSTAT	1							
23	1	119717-49800	THERMOSTAT, 71	1							
24	1	26106-080202	BOLT, M8X 20 PLATED	2							
25	1	121450-42450	PLUG, M16	1							
26	1	121250-44901	SWITCH, 110	1							
27	1	124465-44950	GASKET, 16	2							
28	1	124450-44510	TANK ASSY, SUB	1							
30	2	124450-44530	CAP	1							
31	2	124450-44560	RETAINER	1							
32	2	23061-070230	PIPE, 7X 230	1							
33	1	124764-44810	LABEL, SUB TANK	1							
34	1	124450-44550	BAND	1							
35	1	121256-44600	BRACKET, SUB TANK	1							
36	1	119515-44560	RADIATOR	1							
37	2	129107-44590	CAP, RADIATOR	1							
38	2	119515-44600	SHROUD	1							
39	2	26014-060122	BOLT, M6X 12	4							
40	1	119802-44560	GUARD	1							
41	1	119255-44660	ABSORBER	2							
42	1	119734-49010	PIPE, WATER	1							
43	1	119740-49060	PIPE, WATER	1							
44	1	121400-44910	LABEL, RADIATOR	1							
45	1	129150-49100	COCK ASSY, 3-WAY	1							
46	2	129150-49080	COCK, DRAIN	1							
50	1	129210-49280	PIPE ASSY, DRAIN	1							
52	2	124766-59050	CLIP, HOSE 12	2							
53	1	23010-038000	CLAMP, 38	4							

N:Old $\frac{100}{100}$ New, Q:Old $\frac{100}{100}$ New, R:Old $\frac{100}{100}$ New, S:Old $\frac{100}{100}$ New, W:Add, Z:Discontinued, F:Interchangeable by set, K:Q'ty Change
 Copyright (C) YANMAR CO., LTD. All Rights Reserved.

OCD10-M93400

Fig.11. FUEL INJECTION PUMP



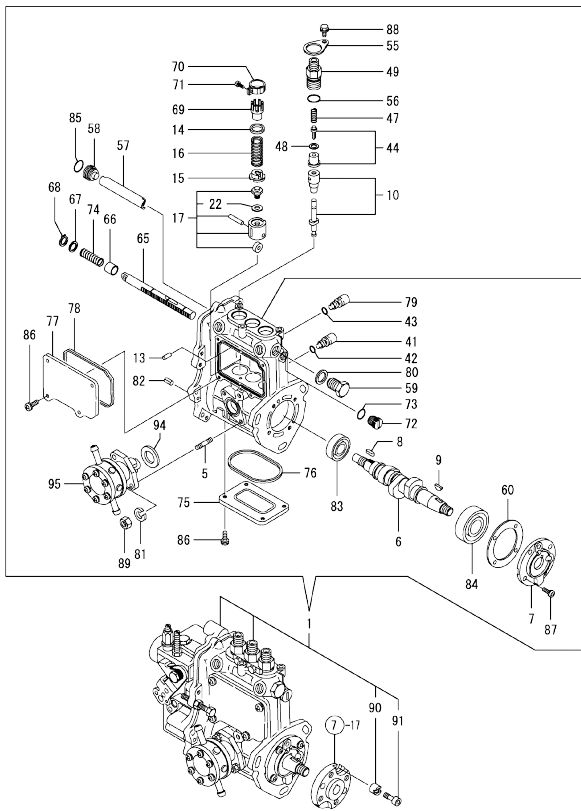
Remarks
 (1) GOVERNOR ASSY(FIG.12) IS
 INCORPORATED IN THIS FOP.CMP
 (REF.NO.1).

No.	Lev.	Parts No.	Description	Q'ty						I	R
				(A)	(B)	(C)	(D)	(E)	(F)		
1	1	719546-51390	PUMP ASSY, INJECTION	1							1
5	2	129155-51020	STUD	2							
6	2	119717-51030	CAMSHAFT	1							
7	2	119717-51060	SUPPORT, CAMSHAFT	1							
8	2	119717-51070	KEY	1							
9	2	122710-51090	KEY	1							
10	2	119415-51100	PLUNGER ASSY	3							
13	2	129155-51140	PIN	3							
14	2	158600-51170	RETAINER, SPRING	3							
15	2	119717-51570	RETAINER, SPRING	3							
16	2	119717-51190	SPRING, PLUNGER	3							
17	2	119717-51200	TAPPET ASSY	3							
22	3	129155-51600	SHIM SET, ADJUSTING	1							
41	2	158600-51270	STOPPER, TAPPET	3							
42	2	129155-51280	O-RING, S6	3							
43	2	129155-51280	O-RING, S6	1							
44	2	119717-51300	VALVE ASSY, DELIVERY	3							
47	2	119717-51330	SPRING, DELIVERY	3							
48	2	124550-51350	GASKET, DELIVERY	3							
49	2	158600-51442	VALVE ASSY, DELIVERY	3							
55	2	118400-51370	LOCKING	3							
56	2	24316-000150	O-RING, 4DP15.0	3							
57	2	129155-51400	DEFLECTOR	1							
58	2	158600-51410	PLUG, DEFLECTOR	1							
59	2	158600-51420	PLUG, DEFLECTOR	1							
60	2	129155-51450	SHIM SET, ADJUSTING	1							
65	2	119717-51500	RACK, CONTROL	1							
66	2	129155-51521	BUSH, RACK	1							
67	2	129155-51530	SPACER	1							
68	2	129155-51540	CIRCLIP	1							
69	2	129155-51550	PINION, CONTROL	3							
70	2	129100-51560	PINION	3							
71	2	129100-51570	SCREW	3							
72	2	158600-51570	PLUG	1							
73	2	129155-51580	O-RING	1							
74	2	129155-51591	SPRING, RACK	1							
75	2	129155-51701	COVER	1							
76	2	119717-51711	GASKET	1							
77	2	119717-51750	COVER	1							
78	2	119717-51761	GASKET	1							
79	2	158600-51790	STOOPER, RACK	1							
80	2	22190-160002	WASHER, SEAL 16	1							
81	2	22217-060000	WASHER, SPRING 6	2							
82	2	22351-050010	PIN, SPRING 5.0X10	2							
83	2	24101-060034	BEARING, BALL 6003	1							
84	2	24101-063034	BEARING, BALL 6303	1							
85	2	119717-51420	O-RING	1							
86	2	26022-050122	SCREW, M5X12	8							
87	2	26022-060162	SCREW, M6X16	4							
88	2	26106-050102	BOLT, M5X 10 PLATED	3							
89	2	26716-060002	NUT, M6	2							

N:Old $\frac{New}{Old}$ New, Q:Old $\frac{New}{Old}$ New, R:Old $\frac{New}{Old}$ New, S:Old $\frac{New}{Old}$ New, W:Add, Z:Discontinued, F:Interchangeable by set, K:Q'ty Change
 ++ CONTINUE ++
 Copyright (C) YANMAR CO., LTD. All Rights Reserved.

OCD10-M93400

Fig.11. FUEL INJECTION PUMP

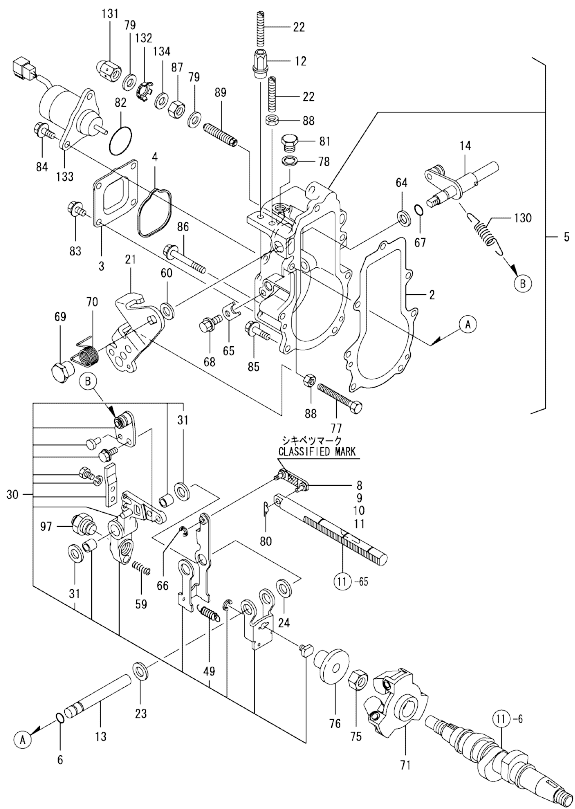


No.	Lev.	Parts No.	Description	Q'ty					
				(A)	(B)	(C)	(D)	(E)	(F)
90	2	119717-51480	COLLAR	1					
91	2	119717-51490	BOLT	1					
94	2	129155-52051	GASKET	1					
95	2	129100-52101	PUMP ASSY, FUEL FEED	1					

Remarks
 (1) GOVERNOR ASSY(FIG.12) IS
 INCORPORATED IN THIS FOP.CMP
 (REF.NO.1).

N:Old $\frac{100}{100}$ New. Q:Old $\frac{100}{100}$ New. R:Old $\frac{100}{100}$ New. S:Old $\frac{100}{100}$ New. W:Add. Z:Discontinued. F:Interchangeable by set. K:Q'ty Change
 Copyright (C) YANMAR CO., LTD. All Rights Reserved.

Fig.12. GOVERNOR



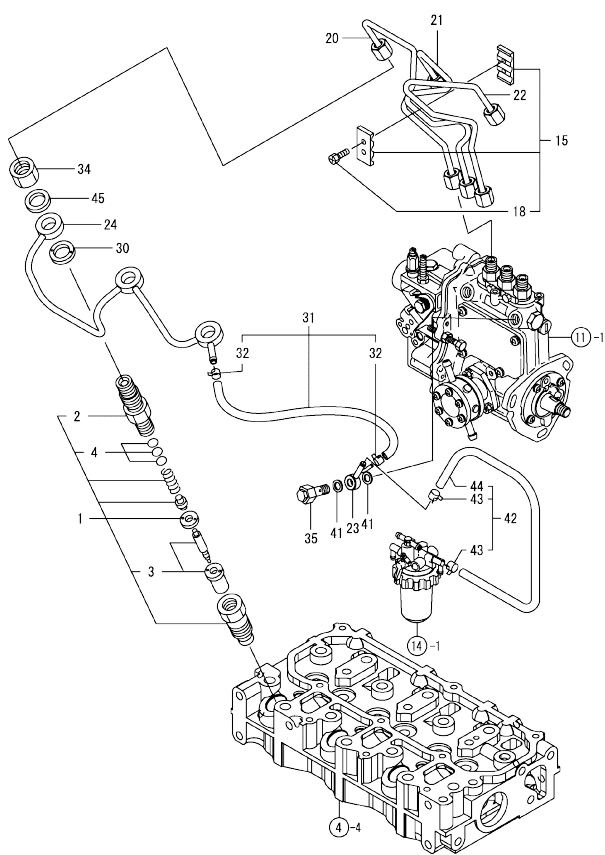
Remarks
 (1) SELECTIVE PARTS: CERTAIN THE CLASSIFICATION MARK, THEN PLACE YOUR ORDER.(REF. TO ILLUSTRATION)
 * THIS FIGURE(GOVERNOR ASSY)IS INCORPORATED IN THE FUEL INJECTION PUMP ASSY(FIG.11).

No.	Lev.	Parts No.	Description	Q'ty						I	R
				(A)	(B)	(C)	(D)	(E)	(F)		
2	2	119717-61050	GASKET	1							
3	2	119717-61060	COVER, GOVERNOR CASE	1							
4	2	119717-61070	GASKET	1							
5	2	119746-61200	CASE ASSY, GOVERNOR	1							
6	3	129155-51280	O-RING, S6	1							
8	3	119717-61120	LINK, MARK :3	1							1
9	3	119717-61130	LINK, MARK 98	1							1
10	3	119717-61140	LINK, MARK 88	1							1
11	3	119717-61150	LINK, MARK 03	1							1
12	3	129209-61370	NUT, M6	1							
13	3	129052-61390	SHAFT	1							
14	3	119717-61400	SHAFT ASSY	1							
21	3	119415-61440	LEVER, CONTROL	1							
22	3	129155-61450	BOLT, LIMITER	2							
23	3	129156-61460	SHIM, T=0.6	1							
24	3	129155-61480	SPACER ASSY	1							
30	3	119717-61500	LEVER ASSY, GOVERNOR	1							
31	4	174307-51700	SHIM SET	2							
49	4	129486-61540	SPRING, SET	1							
59	3	129100-61650	SPRING, CONTROLLER	1							
60	3	158552-61700	SHIM SET	1							
64	3	158552-61710	SHIM, T=1.0	1							
65	3	119660-61901	RETAINER, SHAFT	1							
66	3	22272-000030	RING, E- 3	1							
67	3	24341-000070	O-RING, 1AS7.0	1							
68	3	26106-060102	BOLT, M6X 10 PLATED	1							
69	3	129255-61410	NUT, LOCK	1							
70	3	119527-61420	SPRING	1							
71	2	119717-61200	WEIGHT ASSY,GOVERNOR	1							
75	2	119660-61300	NUT	1							
76	2	129155-61341	SLEEVE	1							
77	2	129155-61460	BOLT, IDLE	1							
78	2	22190-100002	WASHER, SEAL 10	1							
79	2	22190-120002	WASHER, SEAL 12	2							
80	2	22372-040000	PIN, SNAP 4	1							
81	2	23887-100002	PLUG, 10	1							
82	2	158552-61900	O-RING	1							
83	2	26106-060102	BOLT, M6X 10 PLATED	4							
84	2	26106-060142	BOLT, M6X 14 PLATED	2							
85	2	26106-060202	BOLT, M6X 20 PLATED	4							
86	2	26106-060452	BOLT, M6X 45 PLATED	3							
87	2	26736-120002	NUT, M12	1							
88	2	26756-060002	NUT, LOCK M6	2							
89	2	158601-61700	LIMITER ASSY, FUEL	1							
97	2	119761-61560	ANGLEICH ASSY	1							
130	2	129500-61720	SPRING, GOVERNOR	1							
131	2	129209-61930	NUT, CAP	1							
132	2	129209-61970	PLATE	1							
133	2	119653-77950	SOLENOID, STOP	1							
134	2	23414-120016	GASKET, 12X1.0	1							

N:Old $\frac{New}{Old}$ New, Q:Old $\frac{New}{Old}$ New, R:Old $\frac{New}{Old}$ New, S:Old $\frac{New}{Old}$ New, W:Add, Z:Discontinued, F:Interchangeable by set, K:Q'ty Change
 Copyright (C) YANMAR CO., LTD. All Rights Reserved.

OCD10-M93400

Fig.13. FUEL INJECTION VALVE



(A)=3TNV70-HGB2B
(B)=
(C)=

(D)=
(E)=
(F)=

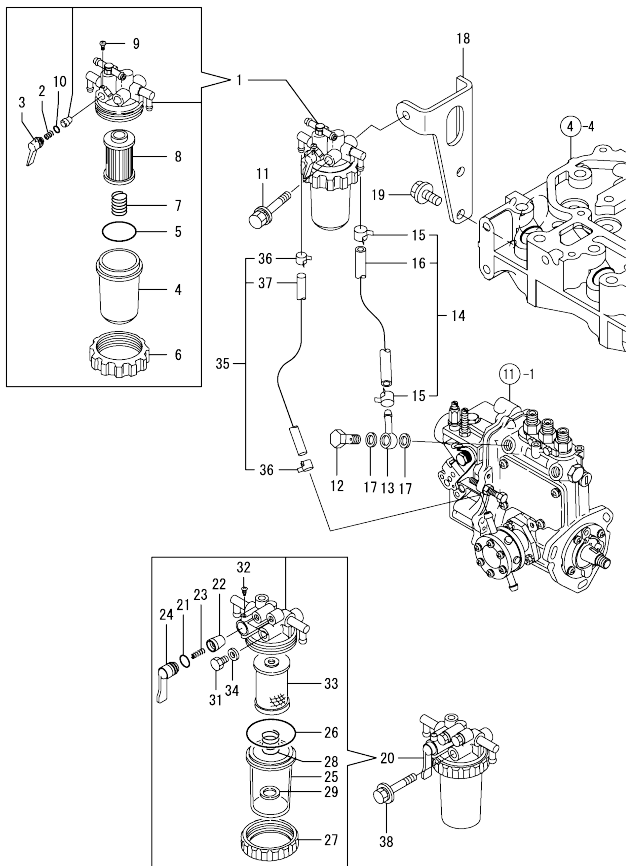
No.	Lev.	Parts No.	Description	Q'ty						I	R
				(A)	(B)	(C)	(D)	(E)	(F)		
1	1	119515-53001	VALVE ASSY,INJECTION	3							
2	2	118200-53010	HOLDER, NOZZLE	3							
3	2	119515-53010	VALVE ASSY,INJECTION	3							
4	2	129901-53800	SHIM SET, ADJUSTING	3							1
15	1	129150-59120	RETAINER, PIPE	1							
18	2	129150-59131	BOLT, M4X14	2							
20	1	119546-59810	PIPE ASSY, INJECTION	1							
21	1	119546-59820	PIPE ASSY, INJECTION	1							
22	1	119546-59830	PIPE ASSY, INJECTION	1							
23	1	119840-59570	JOINT	1							
24	1	119515-59540	PIPE ASSY, RETURN	1							
30	1	129901-59560	GASKET	3							
31	1	119540-59570	PIPE ASSY, RETURN	1							
32	2	124066-59100	CLIP, HOSE 8	2							
34	1	119620-59700	NUT, NOZZLE	3							
35	1	119813-59950	VALVE ASSY, CHECK	1							
41	1	22190-120002	WASHER, SEAL 12	2							
42	1	129210-59150	PIPE ASSY, FUEL	1							
43	2	124766-59050	CLIP, HOSE 12	2							
44	2	105025-59530	PIPE, FUEL D13X400	1							
45	1	22190-120002	WASHER, SEAL 12	3							

Remarks
(1) REPAIR PART.

N:Old $\frac{100}{100}$ New, Q:Old $\frac{100}{100}$ New, R:Old $\frac{100}{100}$ New, S:Old $\frac{100}{100}$ New, W:Add, Z:Discontinued, F:Interchangeable by set, K:Q'ty Change
Copyright (C) YANMAR CO., LTD. All Rights Reserved.

OCD10-M93400

Fig.14. FUEL LINE

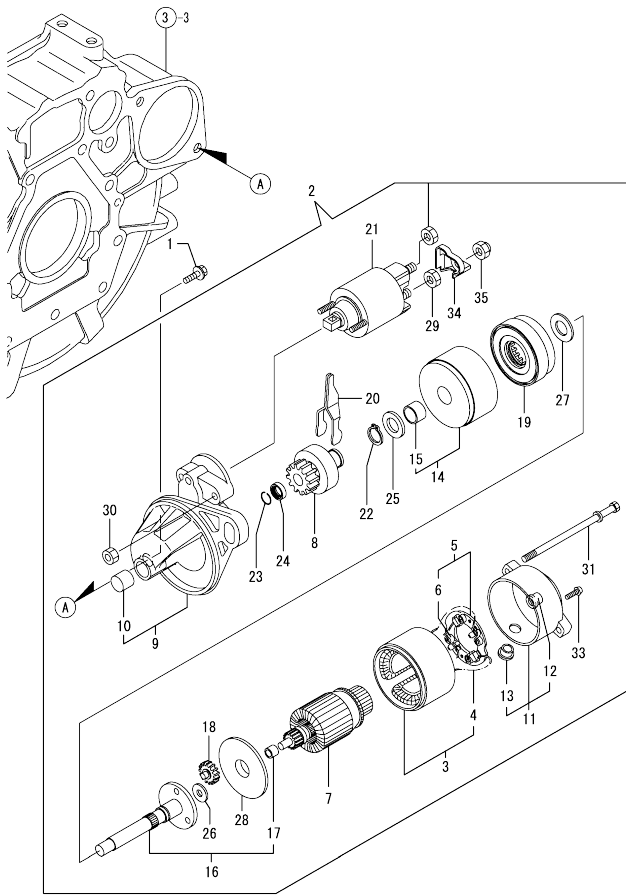


No.	Lev.	Parts No.	Description	Q'ty						I	R
				(A)	(B)	(C)	(D)	(E)	(F)		
1	1	119833-55620	FILTER ASSY, FUEL	1							
2	2	104200-55330	SPRING, VALVE	1							
3	2	119810-55340	LEVER	1							
4	2	121254-55510	COVER	1							
5	2	102103-55520	O-RING	1							
6	2	110250-55610	RING, RETAINING	1							
7	2	121250-55620	SPRING	1							
8	2	119810-55650	ELEMENT	1							
9	2	104200-55750	SCREW, M4	1							
10	2	24311-240100	O-RING, 1AP10A	1							
11	1	26014-080702	BOLT, M8X 70	1							
12	1	103854-39140	BOLT, PIPE JOINT	1							
13	1	101304-59020	JOINT, PIPE 12	1							
14	1	129210-59080	PIPE ASSY, FUEL	1							
15	2	124766-59050	CLIP, HOSE 12	2							
16	2	129136-59110	PIPE, D13/7.5X270	1							
17	1	22190-120002	WASHER, SEAL 12	2							
18	1	119717-55650	BRACKET, FILTER	1							
19	1	26106-080162	BOLT, M8X 16 PLATED	2							
20	1	129335-55700	SEPARATOR ASSY, WATER	1							
21	2	24311-240100	O-RING, 1AP10A	1							
22	2	104200-55321	VALVE, TAPER	1							
23	2	104200-55330	SPRING, VALVE	1							
24	2	104200-55341	HANDLE	1							
25	2	124064-55510	COVER	1							
26	2	102103-55520	O-RING	1							
27	2	110250-55610	RING, RETAINING	1							
28	2	121257-55720	SPRING	1							
29	2	121257-55731	FLOAT	1							
31	2	101720-55750	PLUG, 6	2							
32	2	104200-55750	SCREW, M4	1							
33	2	171081-55910	SCREEN	1							
34	2	23418-060000	GASKET, 6X1.0	2							
35	1	129210-59150	PIPE ASSY, FUEL	1							
36	2	124766-59050	CLIP, HOSE 12	2							
37	2	105025-59530	PIPE, FUEL D13X400	1							
38	1	26014-080702	BOLT, M8X 70	1							

N:Old $\frac{100}{100}$ New, Q:Old $\frac{100}{100}$ New, R:Old $\frac{100}{100}$ New, S:Old $\frac{100}{100}$ New, W:Add, Z:Discontinued, F:Interchangeable by set, K:Qty Change
 Copyright (C) YANMAR CO., LTD. All Rights Reserved.

OCD10-M93400

Fig.15. STARTING MOTOR

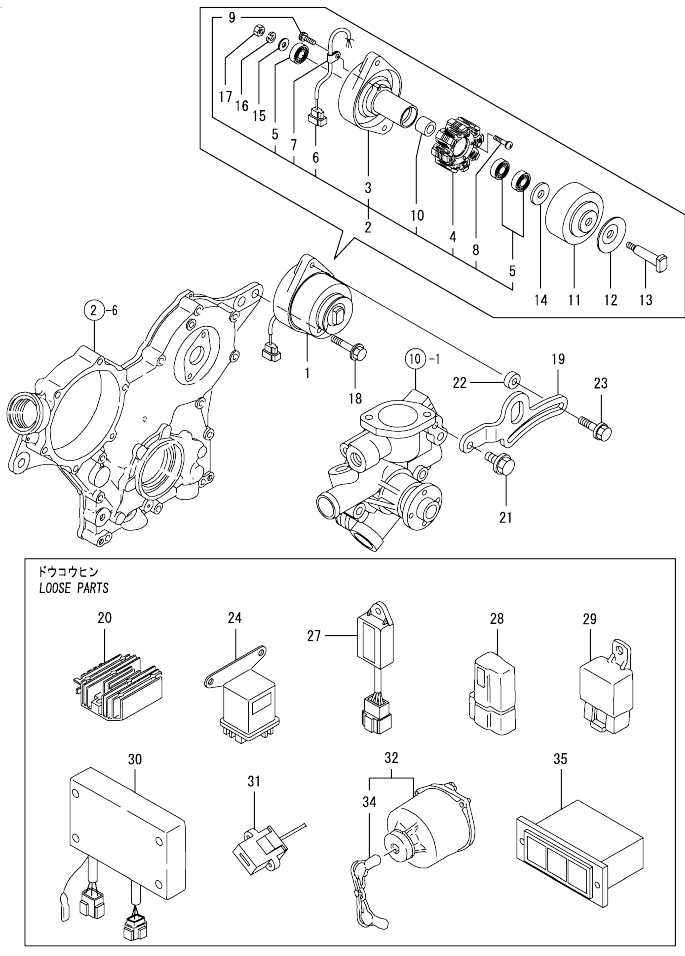


No.	Lev.	Parts No.	Description	Q'ty						I	R
				(A)	(B)	(C)	(D)	(E)	(F)		
1	1	26106-100252	BOLT, M10X 25 PLATED	2							
2	1	119515-77010	STARTER	1							
3	2	X0281007680	YOKE ASSY	1							
4	3	X0280996180	STARTER KIT	2							
5	2	X0285105190	HOLDER ASSY	1							
6	3	X0285205030	SPRING	4							
7	2	X0282005871	ARMATURE ASSY	1							
8	2	X0283006960	CLUTCH ASSY	1							
9	2	X4284001590	HOUSING ASSY	1							
10	3	X9491050100	BEARING, NEEDLE	1							
11	2	X0285007030	FRAME ASSY	1							
12	3	X9491040990	BEARING	1							
13	3	X0280626010	COVER	1							
14	2	X0284105040	BEARING ASSY	1							
15	3	X9491034330	BEARING	1							
16	2	X0286105010	SHAFT ASSY	1							
17	3	X9491034320	BEARING	1							
18	2	X0286305010	GEAR	3							
19	2	X0286355010	GEAR	1							
20	2	X0287405140	LEVER	1							
21	2	X0534007800	SWITCH ASSY	1							
22	2	X9055715000	RING	1							
23	2	X9490721360	RING	1							
24	2	X0280210331	NUT	1							
25	2	X9490138110	WASHER	1							
26	2	X9490138090	WASHER	1							
27	2	X9490138100	WASHER	1							
28	2	X0284525010	PLATE	1							
29	2	X9490562360	NUT	1							
30	2	X9490560750	NUT	2							
31	2	X9490423520	BOLT, THROUGH	2							
33	2	X9490065670	SCREW, M4X6	2							
34	2	X0280335360	COVER, TERMINAL	1							
35	2	X1289510130	NUT	1							

N:Old $\frac{New}{Old}$ New, Q:Old $\frac{New}{Old}$ New, R:Old $\frac{New}{Old}$ New, S:Old $\frac{New}{Old}$ New, W:Add, Z:Discontinued, F:Interchangeable by set, K:Qty Change
 Copyright (C) YANMAR CO., LTD. All Rights Reserved.

OCD10-M93400

Fig.16. GENERATOR

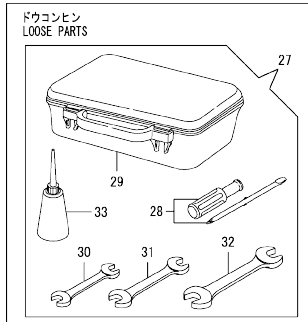
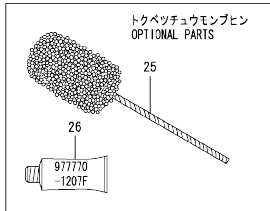
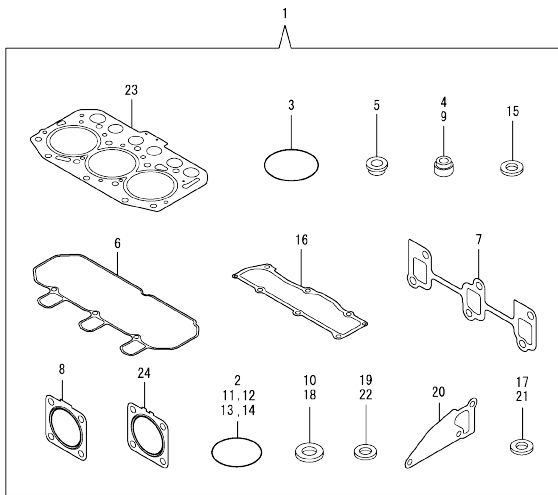


No.	Lev.	Parts No.	Description	Q'ty						I	R
				(A)	(B)	(C)	(D)	(E)	(F)		
1	1	171301-77201	DYNAMO ASSY, 15A	1							
2	2	XM08137	PLATE ASSY	1							
3	3	X2A07073KA	PLATE	1							
4	3	X4A07023KB	STATOR ASSY	1							
5	3	24104-062010	BEARING, 6201UUC3	3							
6	3	X417878	COUPLER	1							
7	3	XM069000000	CLAMP	1							
8	3	YYS402400	SCREW	2							
9	3	YYS400800	SCREW	1							
10	3	XM329830000	COLLAR	1							
11	2	X3A08877KA	FLYWHEEL	1							
12	2	XM721740000	PULLEY	1							
13	2	X4A07403K01	SHAFT	1							
14	2	XM67935	WASHER	1							
15	2	XM860250000	WASHER	1							
16	2	XM219230000	WASHER	1							
17	2	XM863720000	NUT	1							
18	1	26106-100452	BOLT, M10X 45 PLATED	1							
19	1	119540-77310	ADJUSTER	1							
20	1	119233-77711	LIMITER, CURRENT	1							
21	1	26106-080202	BOLT, M8X 20 PLATED	1							
22	1	119940-77270	SPACER, GENERATOR	1							
23	1	129972-77341	BOLT, ADJUSTER L=50	1							
24	1	119650-77910	RELAY ASSY, GLOW	1							
27	1	129211-77920	TIMER	1							
28	1	119643-66900	DIODE	1							
29	1	119247-77100	RELAY, SAFETY	2							
30	1	171440-77801	RELAY, EMERGENCY	1							
31	1	119643-77900	CONNECTOR, STARTER	1							
32	1	129115-91250	SWITCH ASSY	1							
34	2	129115-91270	KEY ASSY	1							
35	1	170038-91310	LAMP	1							

N:Old $\frac{100}{100}$ New, Q:Old $\frac{100}{100}$ New, R:Old $\frac{100}{100}$ New, S:Old $\frac{100}{100}$ New, W:Add, Z:Discontinued, F:Interchangeable by set, K:Qty Change
 Copyright (C) YANMAR CO., LTD. All Rights Reserved.

OCD10-M93400

Fig.17. GASKET SET & TOOLS



(A)=3TNV70-HGB2B
(B)=
(C)=

(D)=
(E)=
(F)=

No.	Lev.	Parts No.	Description	Q'ty						I	R
				(A)	(B)	(C)	(D)	(E)	(F)		
1	1	719515-92750	GASKET SET	1							1
2	2	24341-000240	O-RING, 1AS24.0	1							
3	2	121850-51960	O-RING	1							
4	2	119717-11340	SEAL, VALVE STEM	3							
5	2	129901-11450	PROTECTOR, NOZZLE	3							
6	2	119515-11310	GASKET, BONNET	1							
7	2	119717-13110	GASKET	1							
8	2	119515-13200	GASKET, SILENCER	1							
9	2	119717-11350	SEAL, VALVE STEM	3							
10	2	22190-080002	WASHER, SEAL 6	4							
11	2	24311-000320	O-RING, 1AP32.0	2							
12	2	119717-32060	O-RING, P15.0	1							
13	2	119624-32040	O-RING, P12.0	1							
14	2	119717-32050	O-RING, P17.0	3							
15	2	119600-11460	GASKET, NOZZLE	6							
16	2	119515-11330	GASKET	1							
17	2	22190-160002	WASHER, SEAL 16	1							
18	2	22190-120002	WASHER, SEAL 12	4							
19	2	129901-59560	GASKET	3							
20	2	119515-42020	GASKET, WATER PUMP	1							
21	2	23414-080000	GASKET, 8X1.0	1							
22	2	124465-44950	GASKET, 16	2							
23	2	119515-01330	GASKET, HEAD	1							
24	2	129004-13200	GASKET, SILENCER	4							
25	1	129400-92410	HONE	1							1
26	1	977770-1207F	GASKET LIQUID	1							1
27	1	721400-92102	BOX ASSY, TOOL	1							
28	2	104200-92350	DRIVER, SCREW	1							
29	2	104200-92600	BOX, TOOL	1							
30	2	28110-100120	SPANNER, 10X12	1							
31	2	28110-140170	SPANNER, 14X17	1							
32	2	28110-190220	SPANNER, 19X22	1							
33	2	28210-000140	OILER	1							

Remarks
(1) OPTIONAL PARTS.

N:Old $\frac{100}{100}$ New, Q:Old $\frac{100}{100}$ New, R:Old $\frac{100}{100}$ New, S:Old $\frac{100}{100}$ New, W:Add, Z:Discontinued, F:Interchangeable by set, K:Qty Change
Copyright (C) YANMAR CO., LTD. All Rights Reserved.

Parts No. Index

Parts No.	Fig. No.	Ref. No.	Parts No.	Fig. No.	Ref. No.	Parts No.	Fig. No.	Ref. No.	Parts No.	Fig. No.	Ref. No.
119910-12510	5	3	129100-51560	11	70	129486-61540	12	49	22372-040000	12	80
119910-12601	5	2	129100-51570	11	71	129500-61720	12	130	22512-040120	8	5
119940-77270	16	22	129100-52101	11	95	129508-11180	4	17	22857-500100	4	50
119C10-42320	10	11 -1	129100-61650	12	59	129612-12560	5	10			51
121023-01551	2	33	129107-44590	10	37	129612-12590	5	12	22857-500160	4	52
121111-21501	8	8	129115-91250	16	32	129612-12650	5	9	23000-054000	5	16
121120-01620	3	5	129115-91270	16	34	129612-12701	5	1	23000-060000	5	13
121250-44901	10	26	129136-59110	14	16	129612-42340	10	18			15
121250-55620	14	7	129150-11230	4	29	129900-32130	2	12	23010-038000	10	53
121254-55510	14	4	129150-11750	4	31	129901-11450	4	1	23061-070230	10	32
121256-44600	10	35	129150-25301	7	15		17	5	23414-080000	10	13
121257-55720	14	28	129150-49080	10	46	129901-53800	13	4		17	21
121257-55731	14	29	129150-49100	10	45	129901-59560	13	30	23414-120016	12	134
121400-44910	10	44	129150-59120	13	15		17	19	23418-060000	14	34
121450-42450	10	25	129150-59131	13	18	129972-77341	16	23	23857-030000	9	14
121520-34810	9	16	129155-51020	11	5	158552-61700	12	60	23876-005000	4	13
121550-49111	10	16	129155-51140	11	13	158552-61710	12	64	23876-030000	2	9
121850-51960	2	22	129155-51280	11	42	158552-61900	12	82	23887-100002	12	81
	17	3		43		158600-51170	11	14	24101-060034	11	83
122710-51090	11	9		12	6	158600-51270	11	41	24101-063034	11	84
124060-01050	1	5	129155-51400	11	57	158600-51410	11	58	24104-062010	16	5
124064-55510	14	25	129155-51450	11	60	158600-51420	11	59	24311-000320	2	32
124066-59100	13	32	129155-51521	11	66	158600-51442	11	49		4	53
124160-01751	2	31	129155-51530	11	67	158600-51570	11	72		17	11
	4	35	129155-51540	11	68	158600-51790	11	79	24311-240100	14	10
124160-01910	1	8	129155-51550	11	69	158601-61700	12	89			21
124450-44510	10	28	129155-51580	11	73	170038-91310	16	35	24316-000150	11	56
124450-44530	10	30	129155-51591	11	74	171081-55910	14	33	24341-000070	12	67
124450-44550	10	34	129155-51600	11	22	171301-77201	16	1	24341-000240	2	34
124450-44560	10	31	129155-51701	11	75	171440-77801	16	30		17	2
124465-44950	10	27	129155-52051	11	94	174307-51700	12	31	26014-060122	10	39
	17	22	129155-61341	12	76	22190-080002	9	13	26014-080702	14	11
124550-51350	11	48	129155-61450	12	22		15				38
124764-44810	10	33	129155-61460	12	77		17	10	26022-050122	11	86
124766-59050	10	52	129156-61480	12	24	22190-100002	12	78	26022-060162	11	87
	13	43	129156-61460	12	23	22190-120002	12	79	26106-050102	11	88
	14	15	129209-61370	12	12		13	41	26106-060102	9	9
		36	129209-61930	12	131			45		12	68
126650-12680	5	7	129209-61970	12	132		14	17			83
129001-32320	2	13	129210-49280	10	50		17	18	26106-060122	2	23
129001-32330	2	14	129210-59080	14	14	22190-160002	3	12		3	13
129004-13200	6	8	129210-59150	13	42		11	80		7	9
	17	24		14	35		17	17	26106-060142	12	84
129004-13500	6	9	129211-77920	16	27	22217-060000	11	81	26106-060162	2	24
129005-59830	9	12	129255-61410	12	69	22217-120000	7	18			35
129051-12530	5	8	129259-12570	5	14	22242-000120	4	32	26106-060202	4	54
129052-61390	12	13	129335-55700	14	20	22252-000220	8	23		12	85
129100-01580	3	1	129350-49530	10	22	22272-000030	12	66	26106-060252	3	14
	8	2	129400-92410	17	25	22351-050010	11	82	26106-060352	7	14
129100-35140	9	2	129457-44760	10	20	22351-060012	4	21	26106-060402	2	25

Parts No. Index

Parts No.	Fig. No.	Ref. No.
26106-060402	2	26
26106-060452	3	15
	10	21
	12	86
26106-060602	2	27
26106-060652	2	28
26106-060752	4	55
26106-080122	10	14
26106-080162	14	19
26106-080202	10	24
	16	21
26106-080402	4	34
26106-080502	10	15
26106-100252	15	1
26106-100452	16	18
26206-100252	3	4
26306-080002	2	29
	6	6
26577-060122	10	9
26716-060002	11	89
26716-120002	7	19
26736-120002	12	87
26756-060002	12	88
26979-050162	4	33
27241-120000	1	14
27241-250000	10	10
28110-100120	17	30
28110-140170	17	31
28110-190220	17	32
28210-000140	17	33
719515-01560	1	1
719515-92750	17	1
719546-51390	11	1
719717-02901	1	15
719717-02911	1	35
719734-01510	2	5
721400-92102	17	27
977770-1207F	2	30
	3	2
	4	58
	17	26
X0280210331	15	24
X0280335360	15	34
X0280626010	15	13
X0280996180	15	4
X0281007680	15	3
X0282005871	15	7
X0283006960	15	8
X0284105040	15	14
X0284525010	15	28

Parts No.	Fig. No.	Ref. No.
X0285007030	15	11
X0285105190	15	5
X0285205030	15	6
X0286105010	15	16
X0286305010	15	18
X0286355010	15	19
X0287405140	15	20
X0534007800	15	21
X1289510130	15	35
X2A07073KA	16	3
X3A08877KA	16	11
X417878	16	6
X4284001590	15	9
X4A07023KB	16	4
X4A07403K01	16	13
X9055715000	15	22
X9490065670	15	33
X9490138090	15	26
X9490138100	15	27
X9490138110	15	25
X9490423520	15	31
X9490560750	15	30
X9490562360	15	29
X9490721360	15	23
X9491034320	15	17
X9491034330	15	15
X9491040990	15	12
X9491050100	15	10
XM069000000	16	7
XM08137	16	2
XM219230000	16	16
XM329830000	16	10
XM67935	16	14
XM721740000	16	12
XM860250000	16	15
XM863720000	16	17
XYSPS400800	16	9
XYSPS402400	16	8

Parts No.	Fig. No.	Ref. No.
-----------	----------	----------

Parts No.	Fig. No.	Ref. No.
-----------	----------	----------