

0CW10-M33500EN

PREFACE

1. This parts catalog is the 1st edition of 3TNV70-KGD for GOLDONI.

Pub.No. : 000Y00W3350

Published : February,2008

2. Model name

Engine model	Vehicle	Vehicle made by
	Products	
3TNV70-KGD	Tractor	GOLDONI

Directions for the Parts Catalog.

1. This Parts Catalog shows both standard and optional parts.
2. Parts may change without prior notice.
3. The following is an example of the Parts Catalog format.

REF.	LEV.	PARTS NO.	DESCRIPTION	Q'TY						I	R
				(A)	(B)	(C)	(D)	(E)	(F)		
1	1	729595-51390	FUEL INJECTION PUMP	1	1	1	1	1			1
1-1	1	729595-51391	FUEL INJECTION PUMP	1	1	1	1	1		N	1
		(A=E00185) (B=E00200)									
3	2	26022-060162	SCREW M 6X 16	9	9	9	9	9			
3-1	2	26022-060162	SCREW M 6X 16	4	4	4	4	4		K	
		(A=E00156) (B=E00156) (C=E00156) (D=E00156) (E=E00156)									
4	2	129470-51040	CAMSHAFT	1	1	1	1	1			
5	2	122710-51050	BEARING, ROLLER	2	2	2	2	2			
6	2	129470-51060	RETAINER	1	1	1	1	1			

Remarks
(1) BOOST COMPEMSATOR TYPE. OPTIONAL PART, TO E00155,(4JH-DT, 4JH-DTZ

① Ref. No.

The Ref. No. listed may not be in accordance with the illustration Ref. No.

(Ex.) Illustration No.

List Ref No.

1 1 (Before change) → 1-1 (After change)

For interchangeable symbols N, R and K, illustrations for new parts may be abbreviated.

② Lev. (Level)

Level indication

The numbers below indicate the level of relativity towards the main part.

1 ---- Main parts (Assembly parts)

2 ---- Sub component included in " 1 ".

3 ---- Sub component included in " 2 ".

Note) Parts that are not for sale are partially illustrated but not listed.

③ Interchangeability Symbol

When a part change takes place, one of the following interchangeability symbols is indicated beside the part.

Symbol	Interchangeability	Contents note
N	Old $\begin{matrix} \leftarrow \text{Yes} \\ \text{No} \rightarrow \end{matrix}$ New	New Part is interchangeable for Old Part but Old Part is not interchangeable for New Part.
Q	Old $\begin{matrix} \leftarrow \text{No} \\ \text{Yes} \rightarrow \end{matrix}$ New	New Part is not interchangeable for Old Part but Old Part is interchangeable for New Part.
R	Old $\begin{matrix} \leftarrow \text{Yes} \\ \text{Yes} \rightarrow \end{matrix}$ New	New/ Old Parts are both interchangeable.
S	Old $\begin{matrix} \leftarrow \text{No} \\ \text{No} \rightarrow \end{matrix}$ New	New/ Old Parts are both not interchangeable.
W		Part newly added.
Z		Part discontinued.
F		Not interchangeable by a single part but interchangeable together with related parts.
K		Changes only for used parts quantities.

④ Effective Machine No.

When a part changes, the effective Machine No. will be indicated in the (A)-(F) column.

Product Symbol	Product No.	Product Symbol	Product No.
C	Clutch No. Compressor No.	F	Machine No. (Agricultural Equip.)
D	Drive No.	M	Machine No.
E	Engine No.		

Note 1) A date may follow the symbol. (Ex.) 1996.01

Note 2) "XXXXX" and "ZZZZZ" are for parts that could not be predicted or for engine models that could not be identified.

Note 3) (A=E00185) is the E (Engine Serial Number) for the column (A) model (in this case 4JH-DT) after the parts design change.

⑤ Remarks

Figures or alphabets (symbols) are entered in the remarks column.

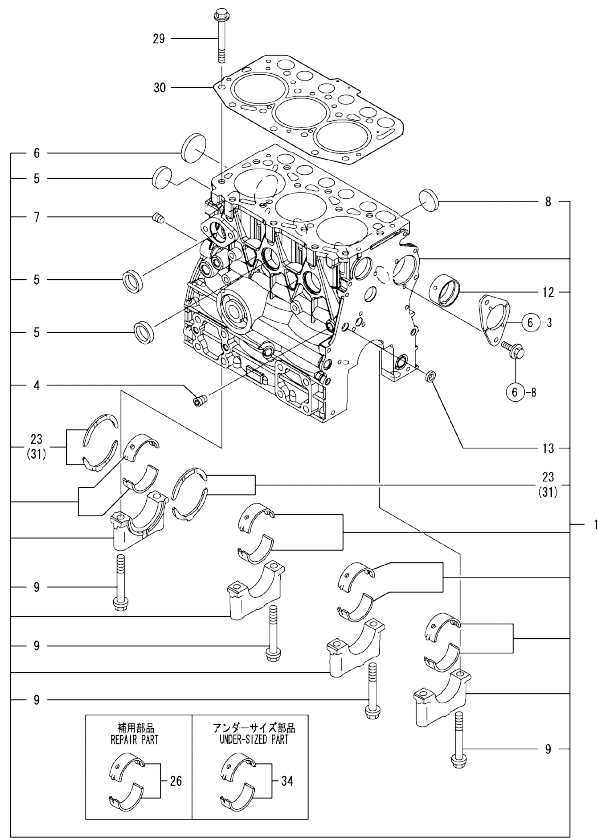
The comments (remarks) on parts that are indicated at the bottom of the illustration are the same symbols as those stated above.

Contents

0CW10-M33500

Fig. No.	Fig. Name	Fig. No.	Fig. Name
ENGINE SECTION (3TNV70-KGD)			
1.	CYLINDER BLOCK		
2.	GEAR HOUSING		
3.	MOUNTING FLANGE & OIL SUMP		
4.	CYLINDER HEAD & BONNET		
5.	EXHAUST MANIFOLD		
6.	CAMSHAFT & DRIVING GEAR		
7.	CRANKSHAFT & PISTON		
8.	LUB.OIL SYSTEM		
9.	COOLING WATER SYSTEM		
10.	FUEL INJECTION PUMP		
11.	GOVERNOR		
12.	FUEL INJECTION VALVE		
13.	FUEL LINE		
14.	STARTING MOTOR		
15.	GENERATOR		
16.	GASKET SET		

Fig.1. CYLINDER BLOCK



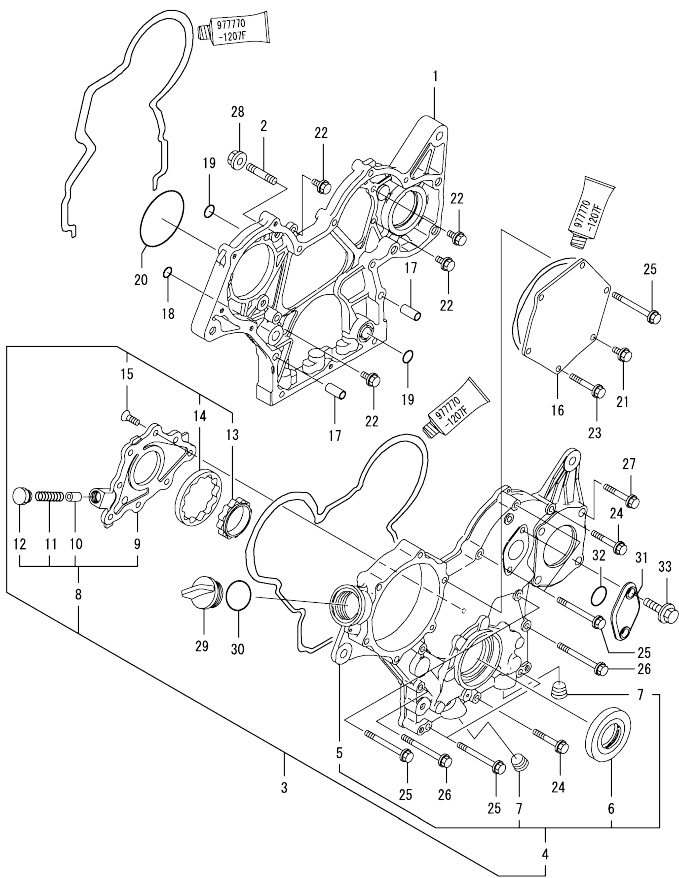
(A)=3TNV70-KGD
(B)=
(C)=

(D)=
(E)=
(F)=

No.	Lev.	Parts No.	Description	Q'ty						I	R
				(A)	(B)	(C)	(D)	(E)	(F)		
1	1	719515-01561	BLOCK ASSY, CYLINDER	1							
4	2	124060-01050	PLUG, PT1/8	1							
5	2	105311-01090	PLUG, 30	4							
6	2	119623-01250	PLUG, 45	1							
7	2	124160-01910	PLUG, PT1/4	1							
8	2	119285-01990	PLUG, 25	3							
9	2	119620-02020	BOLT, METAL CAP	8							
12	2	119717-02411	BUSH, CAMSHAFT	1							
13	2	27241-120000	PLUG, 12	1							
23	2	119717-02930	BEARING, THRUST	2							
26	1	719717-02901	BEARING, MAIN	4							1
29	1	119515-01200	BOLT, HEAD	14							
30	1	119515-01330	GASKET, HEAD	1							
31	1	119810-02941	BEARING, THRUST 0.25	2							2
34	1	719717-02911	BEARING, 0.25 US	4							3

Remarks
(1) REPAIR PART.
(2) OVER-SIZED(O.S=0.25)PART.
(3) UNDER-SIZED(U.S=0.25)PART.

Fig.2. GEAR HOUSING

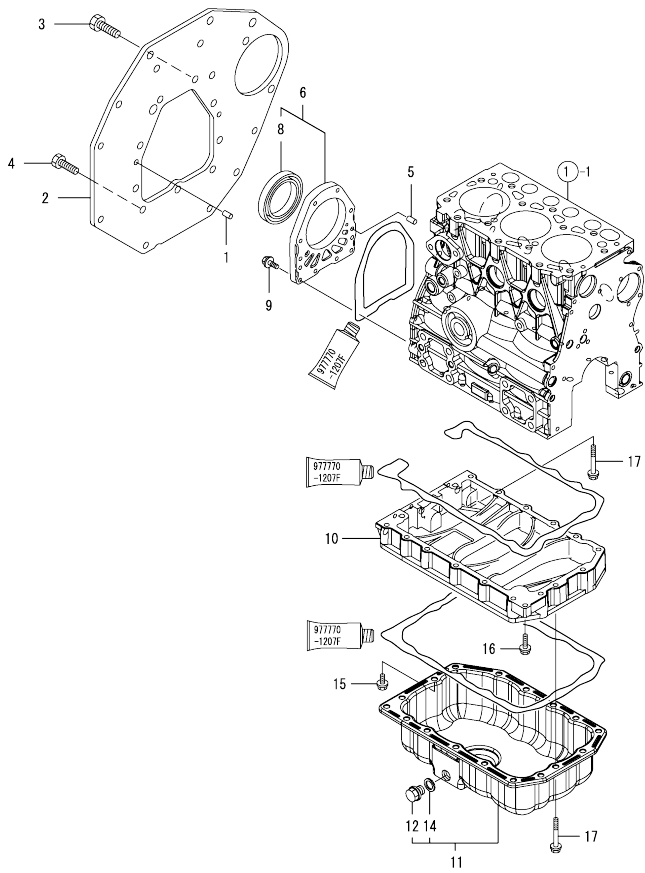


(A)=3TNV70-KGD
(B)=
(C)=

(D)=
(E)=
(F)=

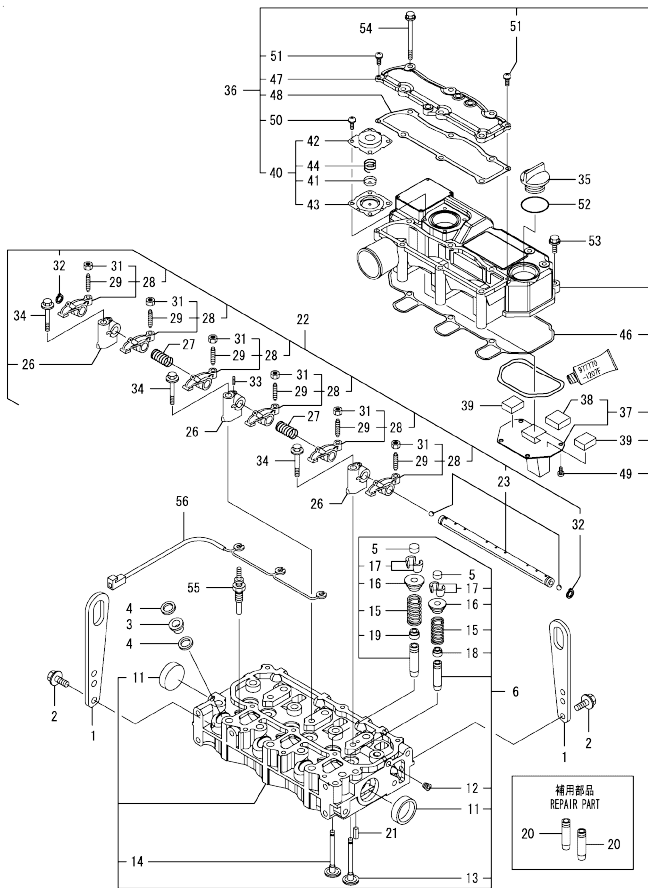
No.	Lev.	Parts No.	Description	Qty						I	R
				(A)	(B)	(C)	(D)	(E)	(F)		
1	1	119742-01500	CASE, GEAR	1							
2	1	119717-01570	STUD	3							
3	1	119740-01580	COVER ASSY,GEAR CASE	1							
4	2	719740-01510	COVER ASSY,GEAR CASE	1							
5	3	119740-01521	COVER, GEAR CASE	1							
6	3	119717-01800	SEAL, OIL	1							
7	3	23876-030000	PLUG, R03	2							
8	2	119717-32100	COVER ASSY	1							
9	3	119717-32080	COVER	1							
10	3	129900-32130	VALVE, RELIEF	1							
11	3	129001-32320	SPRING	1							
12	3	129001-32330	PLUG	1							
13	2	119717-32110	ROTOR, INNER	1							
14	2	119717-32120	ROTOR, OUTER	1							
15	2	119802-32130	SCREW, M6X16	8							
16	1	119717-01750	COVER	1							
17	1	119660-01911	PIPE, KNOCK	4							
18	1	119624-32040	O-RING, P12.0	1							
19	1	119717-32050	O-RING, P17.0	3							
20	1	121850-51960	O-RING	1							
21	1	26106-060122	BOLT, M6X 12 PLATED	1							
22	1	26106-060162	BOLT, M6X 16 PLATED	4							
23	1	26106-060402	BOLT, M6X 40 PLATED	4							
24	1	26106-060402	BOLT, M6X 40 PLATED	2							
25	1	26106-060602	BOLT, M6X 60 PLATED	7							
26	1	26106-060652	BOLT, M6X 65 PLATED	2							
27	1	26106-080352	BOLT, M8X 35 PLATED	3							
28	1	26306-080002	NUT, M8	3							
29	1	124160-01751	COVER, FILLER	1							
30	1	24311-000320	O-RING, 1AP32.0	1							
31	1	121023-01551	COVER	1							
32	1	24341-000240	O-RING, 1AS24.0	1							
33	1	26106-060162	BOLT, M6X 16 PLATED	2							

Fig.3. MOUNTING FLANGE & OIL SUMP



No.	Lev.	Parts No.	Description	Q'ty						I	R
				(A)	(B)	(C)	(D)	(E)	(F)		
1	1	129100-01580	PIN, M8X16		2						
2	1	119734-01620	FLANGE, MOUNTING	1							
3	1	26116-100202	BOLT, M10X 20 PLATED	8							
4	1	26206-100252	BOLT, M10X 25 PLATED	3							
5	1	119620-01620	PIN, M6X10	2							
6	1	119660-01640	CASE ASSY, OIL SEAL	1							
8	2	124085-02220	SEAL, OIL	1							
9	1	26106-060222	BOLT, M6X 22 PLATED	10							
10	1	119515-01720	SPACER, OIL SUMP	1							
11	1	119523-01770	SUMP ASSY, OIL	1							
12	2	105425-01690	PLUG, 16	1							
14	2	22190-160002	WASHER, SEAL 16	1							
15	1	26106-060122	BOLT, M6X 12 PLATED	1							
16	1	26106-060252	BOLT, M6X 25 PLATED	1							
17	1	26106-060452	BOLT, M6X 45 PLATED	17							

OCW10-M33500 ENGINE SECTION (3TNV70-KGD)
 Fig.4. CYLINDER HEAD & BONNET



OCW10-M33500 Fig.4

(A)=3TNV70-KGD
 (B)=
 (C)=

(D)=
 (E)=
 (F)=

No.	Lev.	Parts No.	Description	Q'ty						I	R
				(A)	(B)	(C)	(D)	(E)	(F)		
1	1	129900-07900	LIFTER	2							
2	1	26106-080162	BOLT, M8X 16 PLATED	4							
3	1	129901-11450	PROTECTOR, NOZZLE	3							
4	1	119600-11460	GASKET, NOZZLE	6							
5	1	105010-11490	CAP, VALVE	6							
6	1	119515-11740	HEAD ASSY, CYLINDER	1							
11	2	119285-11990	PLUG, 35	2							
12	2	23876-005000	PLUG, R005	1							
13	2	119515-11101	VALVE, INTAKE	3							
14	2	119515-11110	VALVE, EXHAUST	3							
15	2	119717-11131	SPRING, VALVE	6							
16	2	129508-11180	RETAINER, SPRING	6							
17	2	119717-11190	COTTER	12							
18	2	119717-11340	SEAL, VALVE STEM	3							
19	2	119717-11350	SEAL, VALVE STEM	3							
20	1	119515-11800	GUIDE, VALVE	6							1
21	1	22351-060012	PIN, SPRING 6.0X12	2							
22	1	119515-11200	SUPPORT ASSY, ARM	1							
23	2	119515-11240	SHAFT ASSY, ROCKER	1							
26	2	119717-11260	SUPPORT, ROCKER ARM	3							
27	2	119515-11280	SPRING	2							
28	2	119717-11650	ARM, ROCKER	6							
29	3	129150-11230	SCREW, VALVE ADJUST	6							
31	3	129150-11750	NUT, M8	6							
32	2	22242-000120	RING, 12	2							
33	2	26979-050162	SCREW, M5X16	1							
34	1	26106-080402	BOLT, M8X 40 PLATED	3							
35	1	124160-01751	COVER, FILLER	1							
36	1	119515-11380	BONNET ASSY, HEAD	1							
37	2	119717-03031	PLATE	1							
38	3	119717-03070	BAFFLE, BREATHER	1							
39	2	119717-03070	BAFFLE, BREATHER	2							
40	2	119802-03100	DIAPHRAGM ASSY	1							
41	3	119802-03110	PLATE	1							
42	3	119802-03121	COVER, DIAPHRAGM	1							
43	3	119802-03131	DIAPHRAGM	1							
44	3	119802-03141	SPRING, DIAPHRAGM	1							
46	2	119515-11310	GASKET, BONNET	1							
47	2	119515-11320	COVER, BONNET	1							
48	2	119515-11330	GASKET	1							
49	2	22857-500100	SCREW, 5X10	4							
50	2	22857-500100	SCREW, 5X10	4							
51	2	22857-500160	SCREW, 5X16	2							
52	1	24311-000320	O-RING, 1AP32.0	1							
53	1	26106-060202	BOLT, M6X 20 PLATED	3							
54	1	26106-060752	BOLT, M6X 75 PLATED	6							
55	1	119717-77800	PLUG, GLOW	3							
56	1	119717-77820	CONNECTOR, GLOW PLUG	1							

Remarks
 (1) REPAIR PART.

N:Old $\frac{100}{100}$ New, Q:Old $\frac{100}{100}$ New, R:Old $\frac{100}{100}$ New, S:Old $\frac{100}{100}$ New, W:Add, Z:Discontinued, F:Interchangeable by set, K:Q'ty Change
 Copyright (C) YANMAR GLOBAL CS CO., LTD. All Rights Reserved.

Fig.5. EXHAUST MANIFOLD

(A)=3TNV70-KGD
(B)=
(C)=

(D)=
(E)=
(F)=

No.	Lev.	Parts No.	Description	Q'ty					
				(A)	(B)	(C)	(D)	(E)	(F)
1	1	119718-13100	MANIFOLD, EXHAUST	1					
2	1	119717-13110	GASKET	1					
3	1	119717-13600	STUD, M8X50	2					
4	1	119802-13620	BOLT, M8X50	4					
5	1	119131-18320	STUD, M8X22	4					
6	1	26306-080002	NUT, M8	2					
7	1	119515-13200	GASKET, SILENCER	1					

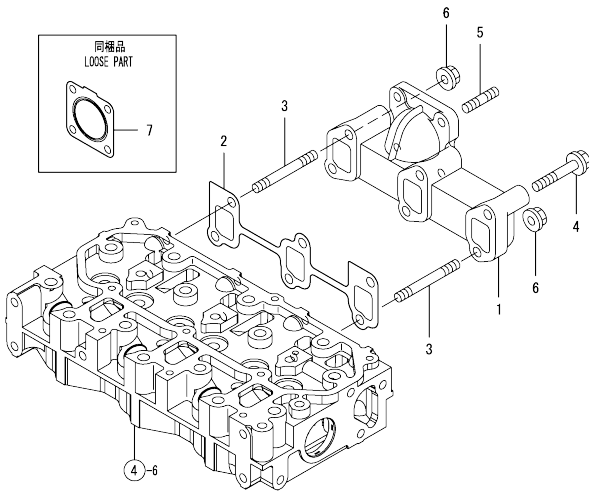
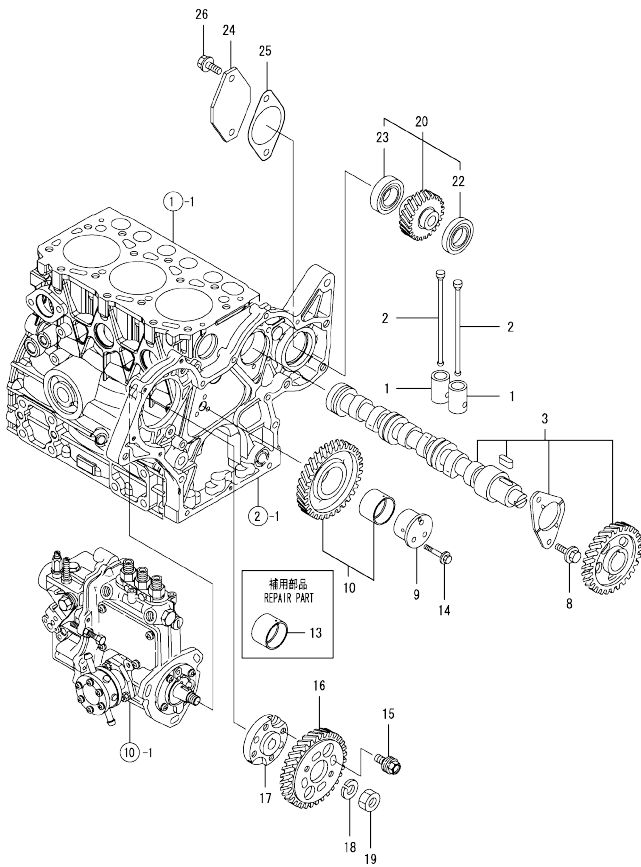


Fig.6. CAMSHAFT & DRIVING GEAR



(A)=3TNV70-KGD
(B)=
(C)=

(D)=
(E)=
(F)=

No.	Lev.	Parts No.	Description	Q'ty						I	R
				(A)	(B)	(C)	(D)	(E)	(F)		
1	1	119620-14200	TAPPET	6							
2	1	119515-14400	ROD, PUSH	6							
3	1	119515-14581	CAMSHAFT ASSY	1							
8	1	26106-060122	BOLT, M6X 12 PLATED	2							
9	1	119717-25050	SHAFT, IDLE	1							
10	1	119717-25101	GEAR ASSY, IDLE	1							
13	1	119717-25911	BUSH, IDLE GEAR	1							1
14	1	26106-060352	BOLT, M6X 35 PLATED	3							
15	1	129150-25301	BOLT	4							
16	1	119717-25930	GEAR, PUMP	1							
17	1	119717-51150	FLANGE	1							
18	1	22217-120000	WASHER, SPRING 12	1							
19	1	26716-120002	NUT, M12	1							
20	1	119744-26000	GEAR ASSY, PUMP	1							
22	2	129350-26490	BEARING, BALL 16005	1							
23	2	24104-060054	BEARING, BALL 6005UU	1							
24	1	119742-26070	COVER	1							
25	1	119742-26080	GASKET	1							
26	1	26106-080162	BOLT, M8X 16 PLATED	2							

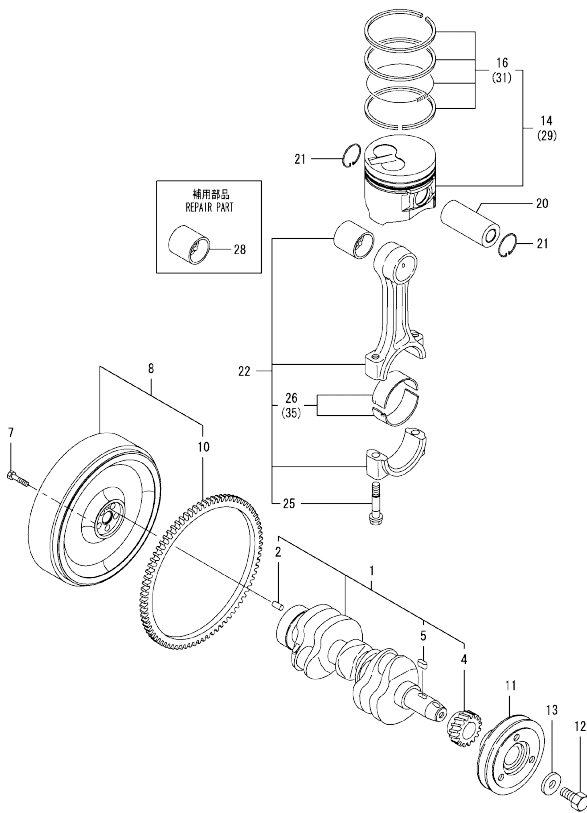
Remarks
(1) REPAIR PART.

N:Old $\frac{100}{100}$ New, Q:Old $\frac{100}{100}$ New, R:Old $\frac{100}{100}$ New, S:Old $\frac{100}{100}$ New, W:Add, Z:Discontinued, F:Interchangeable by set, K:Q'ty Change
Copyright (C) YANMAR GLOBAL CS CO., LTD. All Rights Reserved.

Fig.7. CRANKSHAFT & PISTON

(A)=3TNV70-KGD
(B)=
(C)=

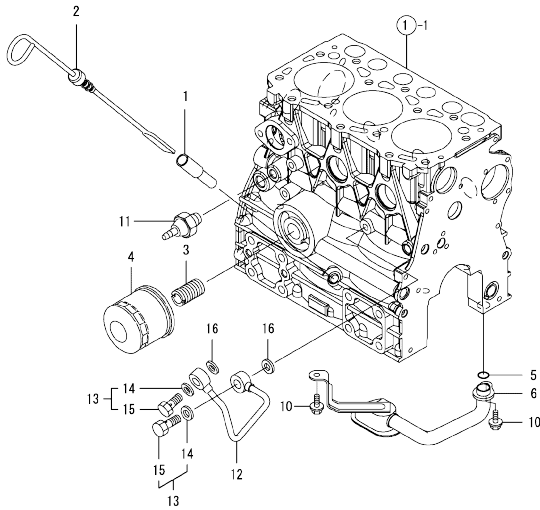
(D)=
(E)=
(F)=



No.	Lev.	Parts No.	Description	Q'ty					
				(A)	(B)	(C)	(D)	(E)	(F)
1	1	119515-21700	CRANKSHAFT ASSY	1					
2	2	129100-01580	PIN, M8X16	1					
4	2	119717-21200	GEAR, CRANKSHAFT	1					
5	2	22512-040120	KEY, 4X 12	1					
7	1	121111-21501	BOLT, FLYWHEEL	5					
8	1	119523-21590	FLYWHEEL ASSY	1					
10	2	124060-21600	GEAR, RING	1					
11	1	119717-21650	V-PULLEY	1					
12	1	119621-21680	BOLT, FLANGE 12X1.25	1					
13	1	119620-21941	WASHER	1					
14	1	119515-22080	PISTON ASSY	3					
16	2	119515-22500	RING SET, PISTON	3					
20	1	119515-22300	PIN, PISTON	3					
21	1	22252-000220	RING, 22	6					
22	1	119515-23000	ROD ASSY, CONNECTING	3					
25	2	119717-23200	BOLT, CONNECTING ROD	6					
26	2	119515-23601	BEARING, CRANK PIN	3					
28	1	119717-23910	BEARING, PISTON PIN	3					1
29	1	119515-22900	PISTON ASSY, 0.25 OS	3					2
31	2	119515-22550	RING SET, 0.25 OS	3					2
35	1	119515-23611	METAL ASSY, 0.25	3					3

Remarks
(1) REPAIR PART.
(2) OVER-SIZED(O.S=0.25)PART.
(3) UNDER-SIZED(U.S=0.25)PART.

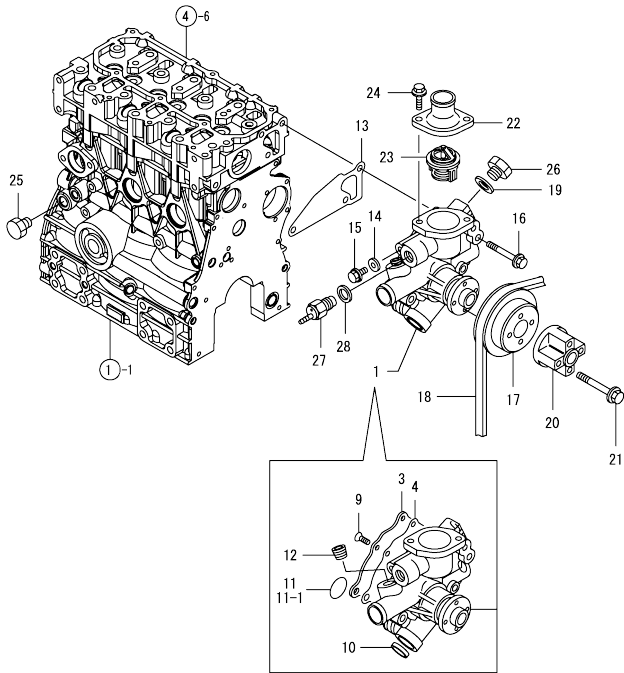
Fig.8. LUB.OIL SYSTEM



No.	Lev.	Parts No.	Description	Q'ty					
				(A)	(B)	(C)	(D)	(E)	(F)
1	1	121520-34810	GUIDE, DIPSTICK	1					
2	1	119517-34800	DIPSTICK, OIL	1					
3	1	129100-35140	STUD	1					
4	1	119305-35151	FILTER ASSY, D68XL65	1					1
5	1	119717-32060	O-RING, P15.0	1					
6	1	119534-35090	PIPE ASSY, OIL INLET	1					
10	1	26106-060102	BOLT, M6X 10 PLATED	2					
11	1	114250-39450	SWITCH, 0.5KG	1					
12	1	119717-39210	PIPE, OIL	1					
13	1	129005-59830	BOLT ASSY, JOINT M8	2					
14	2	22190-080002	WASHER, SEAL 6	2					
15	2	23857-030000	BOLT, JOINT 3	2					
16	1	22190-080002	WASHER, SEAL 6	2					

Remarks
(1) REPAIR PART.

Fig.9. COOLING WATER SYSTEM

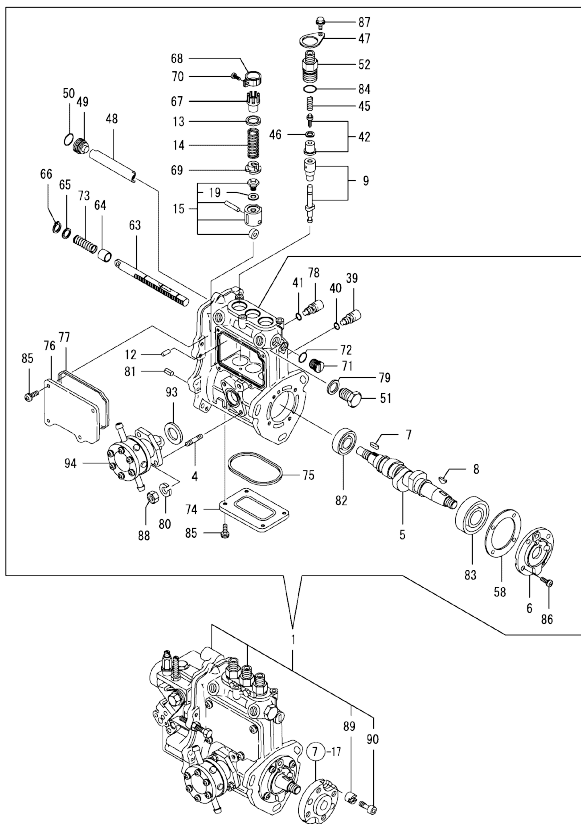


No.	Lev.	Parts No.	Description	Q'ty						I	R
				(A)	(B)	(C)	(D)	(E)	(F)		
1	1	119540-42000	PUMP ASSY, WATER	1							
3	2	119515-42041	COVER	1							
4	2	119717-42031	GASKET	1							
9	2	26577-060122	SCREW, M6X12	4							
10	2	27241-250000	PLUG, 25	1							
11	2	119717-42320	O-RING, P26	1							
12	2	129916-49740	PLUG, R03	1							
13	1	119515-42020	GASKET, WATER PUMP	1							
14	1	23414-080000	GASKET, 8X1.0	1							
15	1	26106-080122	BOLT, M8X 12 PLATED	1							
16	1	26106-080502	BOLT, M8X 50 PLATED	3							
17	1	119740-42350	V-PULLEY, D=90	1							
18	1	25132-003600	V-BELT, A36	1							
19	1	124465-44950	GASKET, 16	1							
20	1	129030-44760	SPACER, FAN L38.5	1							
21	1	26106-060502	BOLT, M6X 50 PLATED	4							
22	1	129350-49530	COVER, THERMOSTAT	1							
23	1	119717-49800	THERMOSTAT, 71	1							
24	1	26106-080202	BOLT, M8X 20 PLATED	2							
25	1	171056-49120	PLUG, DRAIN	1							
26	1	121450-42450	PLUG, M16	1							
27	1	121250-44901	SWITCH, 110	1							
28	1	124465-44950	GASKET, 16	1							

Fig.10. FUEL INJECTION PUMP

(A)=3TNV70-KGD
(B)=
(C)=

(D)=
(E)=
(F)=

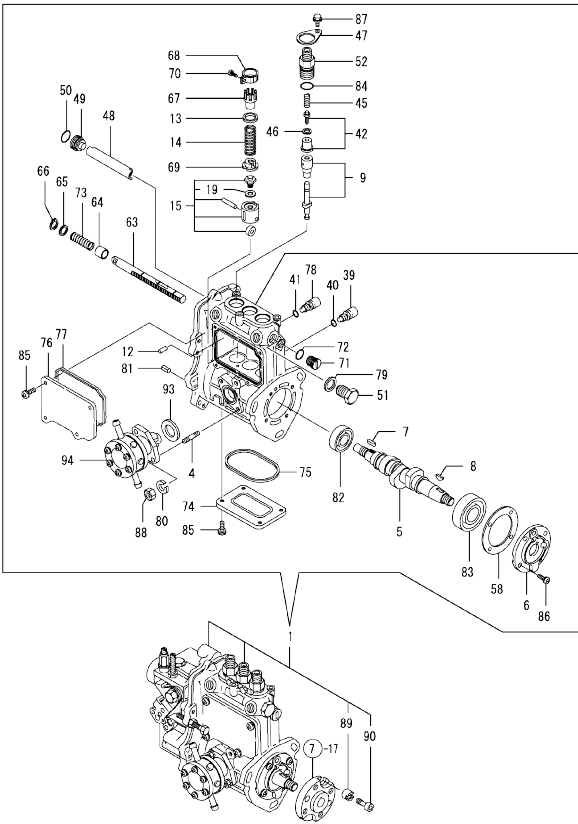


No.	Lev.	Parts No.	Description	(A)	(B)	(C)	(D)	(E)	(F)	Q'ty	I	R
1	1	719523-51350	PUMP ASSY, INJECTION	1								1
4	2	129155-51020	STUD		2							
5	2	119717-51030	CAMSHAFT	1								
6	2	119717-51060	SUPPORT, CAMSHAFT	1								
7	2	119717-51070	KEY	1								
8	2	122710-51090	KEY	1								
9	2	119515-51100	PLUNGER ASSY	3								
12	2	129155-51140	PIN	3								
13	2	158600-51170	RETAINER, SPRING	3								
14	2	119717-51190	SPRING, PLUNGER	3								
15	2	119717-51200	TAPPET ASSY	3								
19	3	129155-51600	SHIM SET, ADJUSTING	3								
39	2	158600-51270	STOPPER, TAPPET	3								
40	2	129155-51280	O-RING, S6	3								
41	2	129155-51280	O-RING, S6	1								
42	2	119717-51300	VALVE ASSY, DELIVERY	3								
45	2	119717-51330	SPRING, DELIVERY	3								
46	2	124550-51350	GASKET, DELIVERY	3								
47	2	118400-51370	LOCKING	3								
48	2	129155-51400	DEFLECTOR	1								
49	2	158600-51410	PLUG, DEFLECTOR	1								
50	2	119717-51420	O-RING	1								
51	2	158600-51420	PLUG, DEFLECTOR	1								
52	2	158600-51442	VALVE ASSY, DELIVERY	3								
58	2	129155-51450	SHIM SET, ADJUSTING	1								
63	2	119717-51500	RACK, CONTROL	1								
64	2	129155-51521	BUSH, RACK	1								
65	2	129155-51530	SPACER	1								
66	2	129155-51540	CIRCLIP	1								
67	2	129155-51550	PINION, CONTROL	3								
68	2	129100-51560	PINION	3								
69	2	119717-51570	RETAINER, SPRING	3								
70	2	129100-51570	SCREW	3								
71	2	158600-51570	PLUG	1								
72	2	129155-51580	O-RING	1								
73	2	129155-51591	SPRING, RACK	1								
74	2	129155-51701	COVER	1								
75	2	119717-51711	GASKET	1								
76	2	119717-51750	COVER	1								
77	2	119717-51761	GASKET	1								
78	2	158600-51790	STOOPER, RACK	1								
79	2	22190-160002	WASHER, SEAL 16	1								
80	2	22217-060000	WASHER, SPRING 6	2								
81	2	22351-050010	PIN, SPRING 5.0X10	2								
82	2	24101-060034	BEARING, BALL 6003	1								
83	2	24101-063034	BEARING, BALL 6303	1								
84	2	24316-000150	O-RING, 4DP15.0	3								
85	2	26022-050122	SCREW, M5X12	8								
86	2	26022-060162	SCREW, M6X16	4								
87	2	26106-050102	BOLT, M5X 10 PLATED	3								
88	2	26716-060002	NUT, M6	2								

Remarks
(1) GOVERNOR ASSY(FIG.11) IS
INCORPORATED IN THIS FOP.CMP
(REF.NO.1).

N:Old $\frac{100}{100}$ New, Q:Old $\frac{100}{100}$ New, R:Old $\frac{100}{100}$ New, S:Old $\frac{100}{100}$ New, W:Add, Z:Discontinued, F:Interchangeable by set, K:Q'ty Change
++ CONTINUE ++
Copyright (C) YANMAR GLOBAL CS CO., LTD. All Rights Reserved.

Fig.10. FUEL INJECTION PUMP



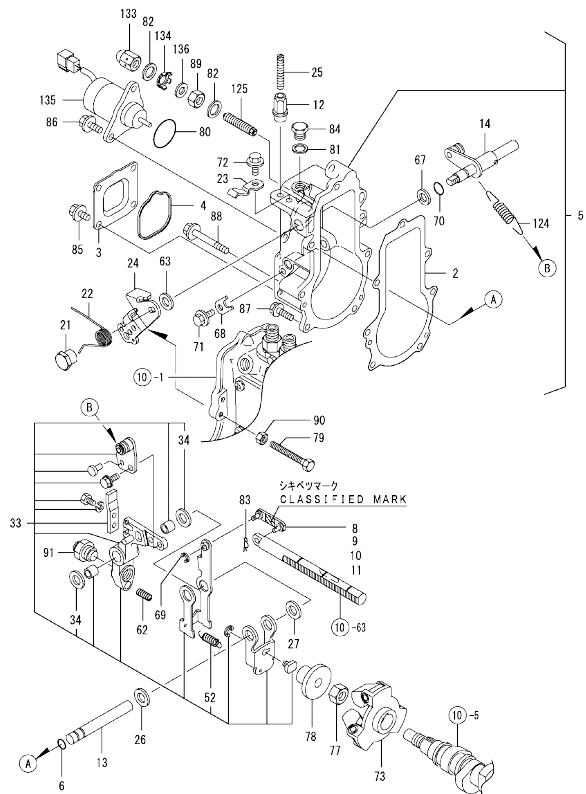
(A)=3TNV70-KGD
(B)=
(C)=

(D)=
(E)=
(F)=

No.	Lev.	Parts No.	Description	Q'ty						I	R
				(A)	(B)	(C)	(D)	(E)	(F)		
89	2	119717-51480	COLLAR	1							
90	2	119717-51490	BOLT	1							
93	2	129155-52051	GASKET	1							
94	2	129100-52101	PUMP ASSY, FUEL FEED	1							

Remarks
(1) GOVERNOR ASSY(FIG.11) IS
INCORPORATED IN THIS FOP.CMP
(REF.NO.1).

Fig.11. GOVERNOR



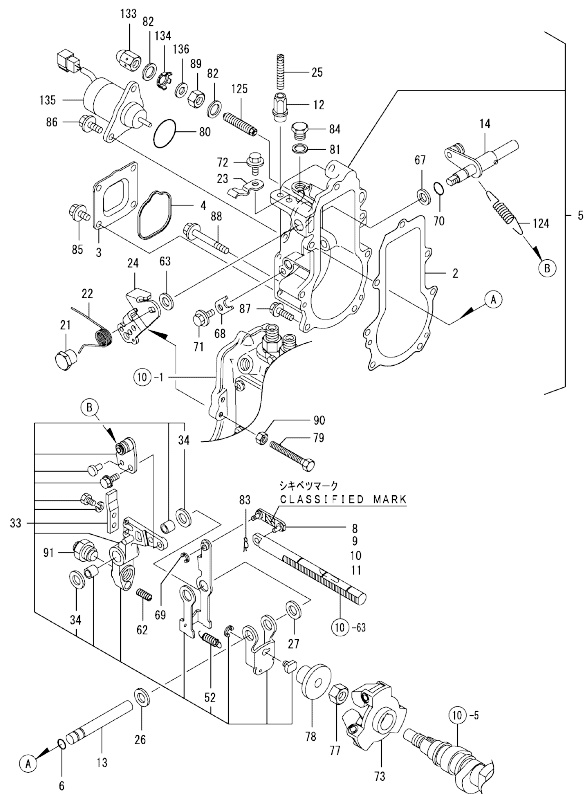
Remarks

(1) SELECTIVE PARTS: CERTAIN THE CLASSIFICATION MARK, THEN PLACE YOUR ORDER. (REF TO ILLUSTRATION).
 * THIS FIGURE (GOVERNOR ASSY) IS INCORPORATED IN THE FUEL INJECTION PUMP ASSY (FIG. 10).

No.	Lev.	Parts No.	Description	Q'ty						I	R
				(A)	(B)	(C)	(D)	(E)	(F)		
2	2	119717-61050	GASKET	1							
3	2	119717-61060	COVER, GOVERNOR CASE	1							
4	2	119717-61070	GASKET	1							
5	2	119744-61100	CASE ASSY, GOVERNOR	1							
6	3	129155-51280	O-RING, S6	1							
8	3	119717-61120	LINK, MARK :3	1							1
9	3	119717-61130	LINK, MARK 98	1							1
10	3	119717-61140	LINK, MARK 88	1							1
11	3	119717-61150	LINK, MARK 03	1							1
12	3	129209-61370	NUT, M6	1							
13	3	129052-61390	SHAFT	1							
14	3	119717-61400	SHAFT ASSY	1							
21	3	129255-61410	NUT, LOCK	1							
22	3	119534-61420	SPRING	1							
23	3	119534-61430	RETAINER	1							
24	3	119515-61440	LEVER, CONTROL	1							
25	3	129155-61450	BOLT, LIMITER	1							
26	3	129156-61460	SHIM, T=0.6	1							
27	3	129155-61480	SPACER ASSY	1							
33	3	119717-61500	LEVER ASSY, GOVERNOR	1							
34	4	174307-51700	SHIM SET	2							
52	4	129486-61540	SPRING, SET	1							
62	3	129100-61650	SPRING, CONTROLLER	1							
63	3	158552-61700	SHIM SET	1							
67	3	158552-61710	SHIM, T=1.0	1							
68	3	119660-61901	RETAINER, SHAFT	1							
69	3	22272-000030	RING, E- 3	1							
70	3	24341-000070	O-RING, 1AS7.0	1							
71	3	26106-060102	BOLT, M6X 10 PLATED	1							
72	3	26106-060102	BOLT, M6X 10 PLATED	1							
73	2	119717-61200	WEIGHT ASSY, GOVERNOR	1							
77	2	129008-61301	NUT	1							
78	2	129155-61341	SLEEVE	1							
79	2	129155-61460	BOLT, IDLE	1							
80	2	158552-61900	O-RING	1							
81	2	22190-100002	WASHER, SEAL 10	1							
82	2	22190-120002	WASHER, SEAL 12	2							
83	2	22372-040000	PIN, SNAP 4	1							
84	2	23887-100002	PLUG, 10	1							
85	2	26106-060102	BOLT, M6X 10 PLATED	4							
86	2	26106-060142	BOLT, M6X 14 PLATED	2							
87	2	26106-060202	BOLT, M6X 20 PLATED	4							
88	2	26106-060452	BOLT, M6X 45 PLATED	3							
89	2	129209-61920	NUT, ARB	1							
90	2	26756-060002	NUT, LOCK M6	1							
91	2	119527-61560	ANGLEICH ASSY	1							
124	2	119718-61700	SPRING, GOVERNOR	1							
125	2	158601-61710	LIMITER ASSY, FUEL	1							
133	2	129209-61930	NUT, CAP	1							
134	2	129209-61970	PLATE	1							
135	2	119653-77950	SOLENOID, STOP	1							

N:Old $\frac{New}{Old}$ New, Q:Old $\frac{New}{Old}$ New, R:Old $\frac{New}{Old}$ New, S:Old $\frac{New}{Old}$ New, W:Add, Z:Discontinued, F:Interchangeable by set, K:Q'ty Change
 ++ CONTINUE ++ Copyright (C) YANMAR GLOBAL CS CO., LTD. All Rights Reserved.

Fig.11. GOVERNOR



Remarks

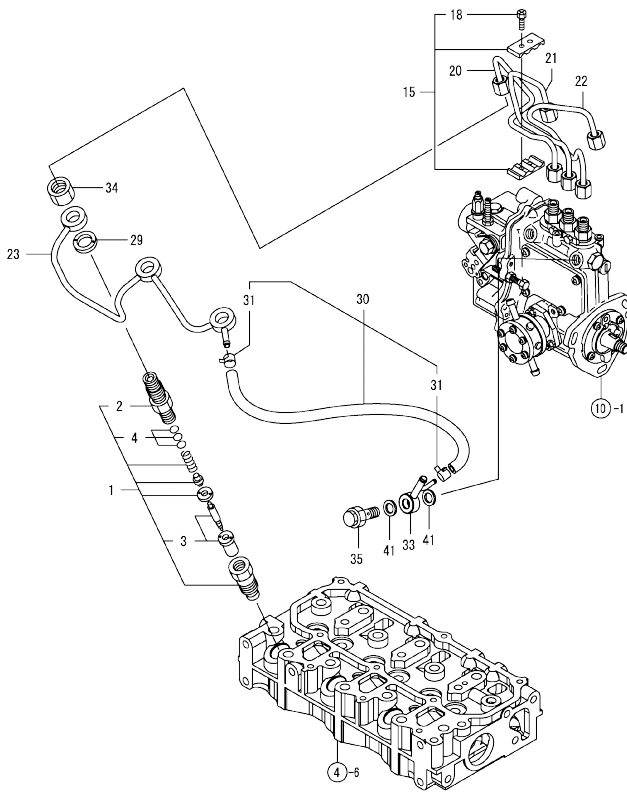
(1) SELECTIVE PARTS: CERTAIN THE CLASSIFICATION MARK, THEN PLACE YOUR ORDER. (REF TO ILLUSTRATION).
 * THIS FIGURE (GOVERNOR ASSY) IS INCORPORATED IN THE FUEL INJECTION PUMP ASSY (FIG. 10).

(A)=3TNV70-KGD
 (B)=
 (C)=

(D)=
 (E)=
 (F)=

No.	Lev.	Parts No.	Description	Q'ty					
				(A)	(B)	(C)	(D)	(E)	(F)
136	2	23414-120016	GASKET, 12X1.0	1					

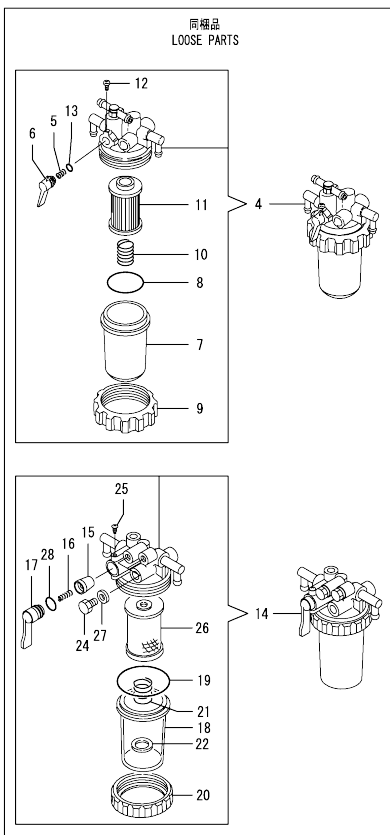
Fig.12. FUEL INJECTION VALVE



No.	Lev.	Parts No.	Description	Q'ty						I	R
				(A)	(B)	(C)	(D)	(E)	(F)		
1	1	119515-53001	VALVE ASSY,INJECTION	3							
2	2	118200-53010	HOLDER, NOZZLE	3							
3	2	119515-53010	VALVE ASSY,INJECTION	3							
4	2	129901-53800	SHIM SET, ADJUSTING	3							1
15	1	129150-59120	RETAINER, PIPE	1							
18	2	129150-59131	BOLT, M4X14	2							
20	1	119546-59810	PIPE ASSY, INJECTION	1							
21	1	119546-59820	PIPE ASSY, INJECTION	1							
22	1	119546-59830	PIPE ASSY, INJECTION	1							
23	1	119515-59540	PIPE ASSY, RETURN	1							
29	1	129901-59560	GASKET	3							
30	1	119540-59570	PIPE ASSY, RETURN	1							
31	2	124066-59100	CLIP, HOSE 8	2							
33	1	119840-59570	JOINT	1							
34	1	119620-59700	NUT, NOZZLE	3							
35	1	119813-59950	VALVE ASSY, CHECK	1							
41	1	22190-120002	WASHER, SEAL 12	2							

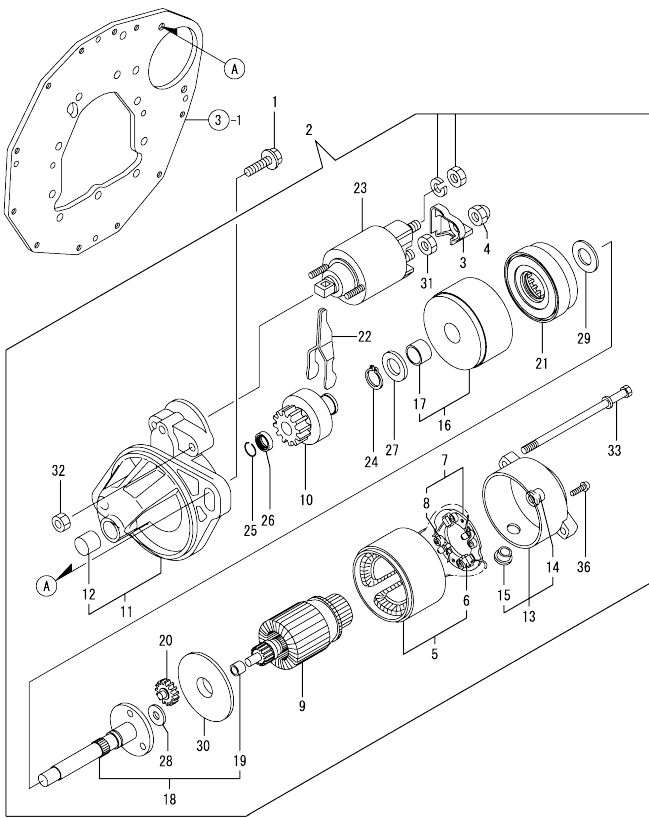
Remarks
(1) REPAIR PART.

Fig.13. FUEL LINE



No.	Lev.	Parts No.	Description	Q'ty					
				(A)	(B)	(C)	(D)	(E)	(F)
1	1	103854-39140	BOLT, PIPE JOINT	1					
2	1	101304-59020	JOINT, PIPE 12	1					
3	1	22190-120002	WASHER, SEAL 12	2					
4	1	119833-55620	FILTER ASSY, FUEL	1					
5	2	104200-55330	SPRING, VALVE	1					
6	2	119810-55340	LEVER	1					
7	2	121254-55510	COVER	1					
8	2	102103-55520	O-RING	1					
9	2	110250-55610	RING, RETAINING	1					
10	2	121250-55620	SPRING	1					
11	2	119810-55650	ELEMENT	1					
12	2	104200-55750	SCREW, M4	1					
13	2	24311-240100	O-RING, 1AP10A	1					
14	1	129335-55700	SEPARATOR ASSY, WATER	1					
15	2	104200-55321	VALVE, TAPER	1					
16	2	104200-55330	SPRING, VALVE	1					
17	2	104200-55341	HANDLE	1					
18	2	124064-55510	COVER	1					
19	2	102103-55520	O-RING	1					
20	2	110250-55610	RING, RETAINING	1					
21	2	121257-55720	SPRING	1					
22	2	121257-55731	FLOAT	1					
24	2	101720-55750	PLUG, 6	2					
25	2	104200-55750	SCREW, M4	1					
26	2	171081-55910	SCREEN	1					
27	2	23418-060000	GASKET, 6X1.0	2					
28	2	24311-240100	O-RING, 1AP10A	1					

Fig.14. STARTING MOTOR

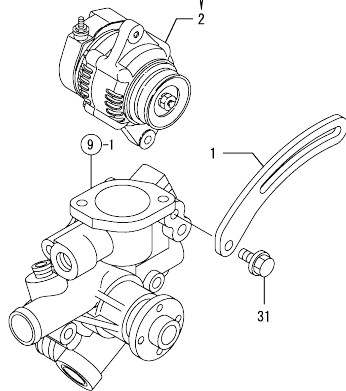
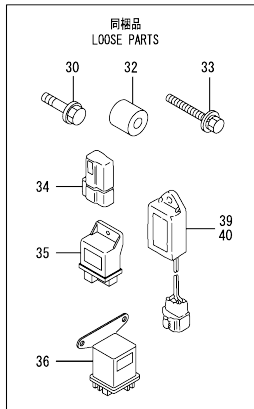
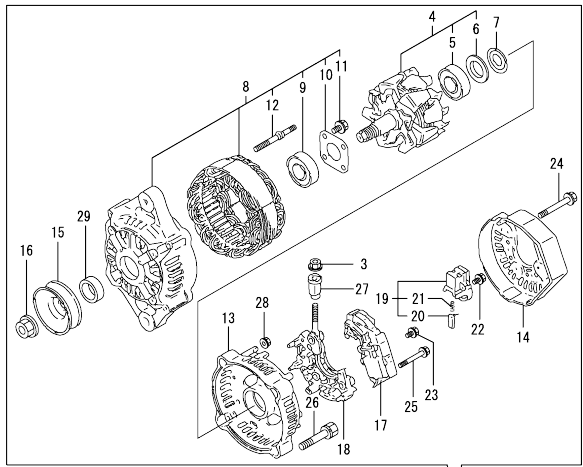


No.	Lev.	Parts No.	Description	Q'ty						I	R
				(A)	(B)	(C)	(D)	(E)	(F)		
1	1	26106-100402	BOLT, M10X 40 PLATED	2							
2	1	119626-77011	STARTER, P1.1	1							
3	2	X0280335350	COVER, TERMINAL	1							
4	2	X1289510130	NUT	1							
5	2	X0281007750	YOKE ASSY	1							
6	3	X0280996180	STARTER KIT	2							
7	2	X0285105190	HOLDER ASSY	1							
8	3	X0285205030	SPRING	4							
9	2	X0282005991	ARMATURE ASSY	1							
10	2	X0283006960	CLUTCH ASSY	1							
11	2	X2284007470	HOUSING ASSY	1							
12	3	X9491050100	BEARING, NEEDLE	1							
13	2	X0285005750	FRAME ASSY	1							
14	3	X9491040990	BEARING	1							
15	3	X0280626010	COVER	1							
16	2	X0284105010	BEARING ASSY	1							
17	3	X9491034330	BEARING	1							
18	2	X0286105010	SHAFT ASSY	1							
19	3	X9491034320	BEARING	1							
20	2	X0286305010	GEAR	3							
21	2	X0286355010	GEAR	1							
22	2	X0287405140	LEVER	1							
23	2	X1534006130	SWITCH, EMERGENCY	1							
24	2	X9055715000	RING	1							
25	2	X9490721360	RING	1							
26	2	X0280210331	NUT	1							
27	2	X9490138110	WASHER	1							
28	2	X9490138090	WASHER	1							
29	2	X9490138100	WASHER	1							
30	2	X0284525010	PLATE	1							
31	2	X9490562360	NUT	1							
32	2	X9490560750	NUT	2							
33	2	X9490423420	BOLT, THROUGH	2							
36	2	X9490065670	SCREW, M4X6	2							

Fig.15. GENERATOR

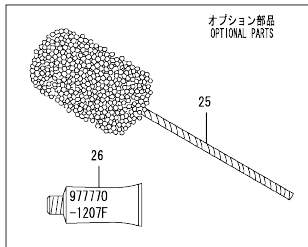
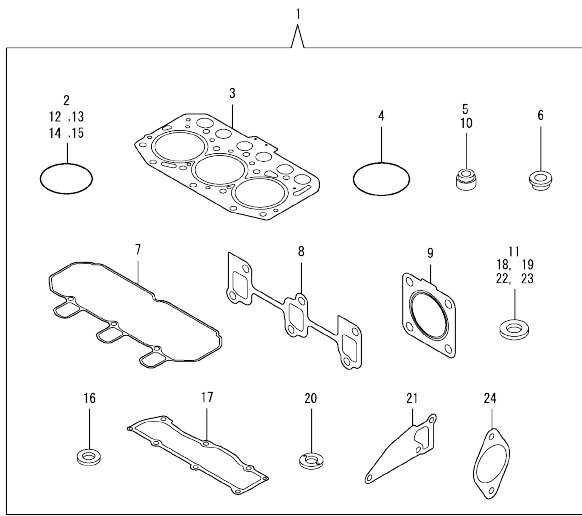
(A)=3TNV70-KGD
(B)=
(C)=

(D)=
(E)=
(F)=



No.	Lev.	Parts No.	Description	Qty					
				(A)	(B)	(C)	(D)	(E)	(F)
1	1	119515-77330	ADJUSTER	1					
2	1	129423-77200	GENERATOR, 12V-40A	1					
3	2	X9490561001	NUT	1					
4	2	119620-77380	ROTOR ASSY	1					
5	3	119620-79240	BALL BEARING	1					
6	3	119620-79250	COVER, BEARING	1					
7	2	119620-79360	WASHER, THRUST	1					
8	2	119620-77421	FRAME ASSY, DRIVE	1					
9	3	119620-79200	BALL BEARING	1					
10	3	119620-79210	PLATE	1					
11	3	119620-79220	SCREW	4					
12	3	119620-79230	BOLT, STUD	2					
13	2	119620-77440	FLAME ASSY, REAR	1					
14	2	129240-79300	COVER	1					
15	2	119620-77461	PULLEY	1					
16	2	119620-77471	NUT	1					
17	2	129423-77710	REGULATOR ASSY	1					
18	2	119620-79260	HOLDER	1					
19	2	119620-79270	HOLDER, BRUSH	1					
20	3	119620-77480	BRUSH ASSY	2					
21	3	119620-79280	SPRING	2					
22	2	119620-79290	SCREW	1					
23	2	119620-79300	SCREW	1					
24	2	119620-79310	BOLT	3					
25	2	119620-79320	SCREW W/WASHER	2					
26	2	119620-79330	BOLT	2					
27	2	119620-79340	INSULATION BUSH	1					
28	2	119620-79350	NUT	2					
29	2	119620-77490	COLLAR	1					
30	1	26106-100452	BOLT, M10X 45 PLATED	1					
31	1	26106-080202	BOLT, M8X 20 PLATED	1					
32	1	124732-77340	SPACER	1					
33	1	129972-77341	BOLT, ADJUSTER L=50	1					
34	1	119643-66900	DIODE	1					
35	1	119802-77200	RELAY, SAFETY	1					
36	1	119650-77910	RELAY ASSY, GLOW	1					
39	1	129155-77925	TIMER	1					
40	1	129211-77920	TIMER	1					

Fig.16. GASKET SET



Remarks
(1) OPTIONAL PART.

No.	Lev.	Parts No.	Description	Q'ty						I	R
				(A)	(B)	(C)	(D)	(E)	(F)		
1	1	719515-92760	GASKET SET	1							1
2	2	24341-000240	O-RING, 1AS24.0	1							
3	2	119515-01330	GASKET, HEAD	1							
4	2	121850-51960	O-RING	1							
5	2	119717-11340	SEAL, VALVE STEM	3							
6	2	129901-11450	PROTECTOR, NOZZLE	3							
7	2	119515-11310	GASKET, BONNET	1							
8	2	119717-13110	GASKET	1							
9	2	119515-13200	GASKET, SILENCER	1							
10	2	119717-11350	SEAL, VALVE STEM	3							
11	2	22190-080002	WASHER, SEAL 6	4							
12	2	24311-000320	O-RING, 1AP32.0	2							
13	2	119717-32060	O-RING, P15.0	1							
14	2	119624-32040	O-RING, P12.0	1							
15	2	119717-32050	O-RING, P17.0	3							
16	2	119600-11460	GASKET, NOZZLE	6							
17	2	119515-11330	GASKET	1							
18	2	124465-44950	GASKET, 16	2							
19	2	22190-120002	WASHER, SEAL 12	4							
20	2	129901-59560	GASKET	3							
21	2	119515-42020	GASKET, WATER PUMP	1							
22	2	23414-080000	GASKET, 8X1.0	1							
23	2	22190-160002	WASHER, SEAL 16	1							
24	2	119742-26080	GASKET	1							
25	1	129400-92410	FLEX HORN	1							1
26	1	977770-1207F	GASKET, LIQUID	1							1

Parts No. Index

Parts No.	Fig. No.	Ref. No.
101304-59020	13	2
101720-55750	13	24
102103-55520	13	8
		19
103854-39140	13	1
104200-55321	13	15
104200-55330	13	5
		16
104200-55341	13	17
104200-55750	13	12
		25
105010-11490	4	5
105311-01090	1	5
105425-01690	3	12
110250-55610	13	9
		20
114250-39450	8	11
118200-53010	12	2
118400-51370	10	47
119131-18320	5	5
119285-01990	1	8
119285-11990	4	11
119305-35151	8	4
119515-01200	1	29
119515-01330	1	30
	16	3
119515-01720	3	10
119515-11101	4	13
119515-11110	4	14
119515-11200	4	22
119515-11240	4	23
119515-11280	4	27
119515-11310	4	46
	16	7
119515-11320	4	47
119515-11330	4	48
	16	17
119515-11380	4	36
119515-11740	4	6
119515-11800	4	20
119515-13200	5	7
	16	9
119515-14400	6	2
119515-14581	6	3
119515-21700	7	1
119515-22080	7	14
119515-22300	7	20
119515-22500	7	16
119515-22550	7	31
119515-22900	7	29

Parts No.	Fig. No.	Ref. No.
119515-23000	7	22
119515-23601	7	26
119515-23611	7	35
119515-42020	9	13
	16	21
119515-42041	9	3
119515-51100	10	9
119515-53001	12	1
119515-53010	12	3
119515-59540	12	23
119515-61440	11	24
119515-77330	15	1
119517-34800	8	2
119523-01770	3	11
119523-21590	7	8
119527-61560	11	91
119534-35090	8	6
119534-61420	11	22
119534-61430	11	23
119540-42000	9	1
119540-59570	12	30
119546-59810	12	20
119546-59820	12	21
119546-59830	12	22
119600-11460	4	4
	16	16
119620-01620	3	5
119620-02020	1	9
119620-14200	6	1
119620-21941	7	13
119620-59700	12	34
119620-77380	15	4
119620-77421	15	8
119620-77440	15	13
119620-77461	15	15
119620-77471	15	16
119620-77480	15	20
119620-77490	15	29
119620-79200	15	9
119620-79210	15	10
119620-79220	15	11
119620-79230	15	12
119620-79240	15	5
119620-79250	15	6
119620-79260	15	18
119620-79270	15	19
119620-79280	15	21
119620-79290	15	22
119620-79300	15	23
119620-79310	15	24

Parts No.	Fig. No.	Ref. No.
119620-79320	15	25
119620-79330	15	26
119620-79340	15	27
119620-79350	15	28
119620-79360	15	7
119621-21680	7	12
119623-01250	1	6
119624-32040	2	18
	16	14
119626-77011	14	2
119643-66900	15	34
119650-77910	15	36
119653-77950	11	135
119660-01640	3	6
119660-01911	2	17
119660-61901	11	68
119717-01570	2	2
119717-01750	2	16
119717-01800	2	6
119717-02411	1	12
119717-02930	1	23
119717-03031	4	37
119717-03070	4	38
		39
119717-11131	4	15
119717-11190	4	17
119717-11260	4	26
119717-11340	4	18
	16	5
119717-11350	4	19
	16	10
119717-11650	4	28
119717-13110	5	2
	16	8
119717-13600	5	3
119717-21200	7	4
119717-21650	7	11
119717-23200	7	25
119717-23910	7	28
119717-25050	6	9
119717-25101	6	10
119717-25911	6	13
119717-25930	6	16
119717-32050	2	19
	16	15
119717-32060	8	5
	16	13
119717-32080	2	9
119717-32100	2	8
119717-32110	2	13

Parts No.	Fig. No.	Ref. No.
119717-32120	2	14
119717-39210	8	12
119717-42031	9	4
119717-42320	9	11
119717-49800	9	23
119717-51030	10	5
119717-51060	10	6
119717-51070	10	7
119717-51150	6	17
119717-51190	10	14
119717-51200	10	15
119717-51300	10	42
119717-51330	10	45
119717-51420	10	50
119717-51480	10	89
119717-51490	10	90
119717-51500	10	63
119717-51570	10	69
119717-51711	10	75
119717-51750	10	76
119717-51761	10	77
119717-61050	11	2
119717-61060	11	3
119717-61070	11	4
119717-61120	11	8
119717-61130	11	9
119717-61140	11	10
119717-61150	11	11
119717-61200	11	73
119717-61400	11	14
119717-61500	11	33
119717-77800	4	55
119717-77820	4	56
119718-13100	5	1
119718-61700	11	124
119734-01620	3	2
119740-01521	2	5
119740-01580	2	3
119740-42350	9	17
119742-01500	2	1
119742-26070	6	24
119742-26080	6	25
	16	24
119744-26000	6	20
119744-61100	11	5
119802-03100	4	40
119802-03110	4	41
119802-03121	4	42
119802-03131	4	43
119802-03141	4	44

Parts No. Index

Parts No.	Fig. No.	Ref. No.
119802-13620	5	4
119802-32130	2	15
119802-77200	15	35
119810-02941	1	31
119810-55340	13	6
119810-55650	13	11
119813-59950	12	35
119833-55620	13	4
119840-59570	12	33
121023-01551	2	31
121111-21501	7	7
121250-44901	9	27
121250-55620	13	10
121254-55510	13	7
121257-55720	13	21
121257-55731	13	22
121450-42450	9	26
121520-34810	8	1
121850-51960	2	20
	16	4
122710-51090	10	8
124060-01050	1	4
124060-21600	7	10
124064-55510	13	18
124066-59100	12	31
124085-02220	3	8
124160-01751	2	29
	4	35
124160-01910	1	7
124465-44950	9	19
		28
	16	18
124550-51350	10	46
124732-77340	15	32
129001-32320	2	11
129001-32330	2	12
129005-59830	8	13
129008-61301	11	77
129030-44760	9	20
129052-61390	11	13
129100-01580	3	1
	7	2
129100-35140	8	3
129100-51560	10	68
129100-51570	10	70
129100-52101	10	94
129100-61650	11	62
129150-11230	4	29
129150-11750	4	31
129150-25301	6	15

Parts No.	Fig. No.	Ref. No.
129150-59120	12	15
129150-59131	12	18
129155-51020	10	4
129155-51140	10	12
129155-51280	10	40
		41
	11	6
129155-51400	10	48
129155-51450	10	58
129155-51521	10	64
129155-51530	10	65
129155-51540	10	66
129155-51550	10	67
129155-51580	10	72
129155-51591	10	73
129155-51600	10	19
129155-51701	10	74
129155-52051	10	93
129155-61341	11	78
129155-61450	11	25
129155-61460	11	79
129155-61480	11	27
129155-77925	15	39
129156-61460	11	26
129209-61370	11	12
129209-61920	11	89
129209-61930	11	133
129209-61970	11	134
129211-77920	15	40
129240-79300	15	14
129255-61410	11	21
129335-55700	13	14
129350-26490	6	22
129350-49530	9	22
129400-92410	16	25
129423-77200	15	2
129423-77710	15	17
129486-61540	11	52
129508-11180	4	16
129900-07900	4	1
129900-32130	2	10
129901-11450	4	3
	16	6
129901-53800	12	4
129901-59560	12	29
	16	20
129916-49740	9	12
129972-77341	15	33
158552-61700	11	63
158552-61710	11	67

Parts No.	Fig. No.	Ref. No.
158552-61900	11	80
158600-51170	10	13
158600-51270	10	39
158600-51410	10	49
158600-51420	10	51
158600-51442	10	52
158600-51570	10	71
158600-51790	10	78
158601-61710	11	125
171056-49120	9	25
171081-55910	13	26
174307-51700	11	34
22190-080002	8	14
		16
	16	11
22190-100002	11	81
22190-120002	11	82
	12	41
	13	3
	16	19
22190-160002	3	14
	10	79
	16	23
	10	80
22217-060000	6	18
22217-120000	4	32
22242-000120	7	21
22252-000220	11	69
22272-000030	10	81
22351-050010	4	21
22351-060012	11	83
22372-040000	7	5
22512-040120	4	49
22857-500100	4	50
		51
22857-500160	9	14
23414-080000	16	22
	11	136
23414-120016	13	27
23418-060000	8	15
23857-030000	4	12
23876-005000	2	7
23876-030000	11	84
23887-100002	10	82
24101-060034	10	83
24101-063034	6	23
24104-060054	2	30
24311-000320	4	52
	16	12
24311-240100	13	13

Parts No.	Fig. No.	Ref. No.
24311-240100	13	28
24316-000150	10	84
24341-000070	11	70
24341-000240	2	32
	16	2
	9	18
25132-003600	10	85
26022-050122	10	86
26022-060162	10	87
26106-050102	8	10
26106-060102	11	71
		72
		85
26106-060122	2	21
	3	15
	6	8
26106-060142	11	86
26106-060162	2	22
		33
26106-060202	4	53
	11	87
26106-060222	3	9
26106-060252	3	16
26106-060352	6	14
26106-060402	2	23
		24
26106-060452	3	17
	11	88
26106-060502	9	21
26106-060602	2	25
26106-060652	2	26
26106-060752	4	54
26106-080122	9	15
26106-080162	4	2
	6	26
26106-080202	9	24
	15	31
26106-080352	2	27
26106-080402	4	34
26106-080502	9	16
26106-100402	14	1
26106-100452	15	30
26116-100202	3	3
26206-100252	3	4
26306-080002	2	28
	5	6
26577-060122	9	9
26716-060002	10	88
26716-120002	6	19
26756-060002	11	90

Parts No. Index

Parts No.	Fig. No.	Ref. No.
26979-050162	4	33
27241-120000	1	13
27241-250000	9	10
719515-01561	1	1
719515-92760	16	1
719523-51350	10	1
719717-02901	1	26
719717-02911	1	34
719740-01510	2	4
977770-1207F	16	26
X0280210331	14	26
X0280335350	14	3
X0280626010	14	15
X0280996180	14	6
X0281007750	14	5
X0282005991	14	9
X0283006960	14	10
X0284105010	14	16
X0284525010	14	30
X0285005750	14	13
X0285105190	14	7
X0285205030	14	8
X0286105010	14	18
X0286305010	14	20
X0286355010	14	21
X0287405140	14	22
X1289510130	14	4
X1534006130	14	23
X2284007470	14	11
X9055715000	14	24
X9490065670	14	36
X9490138090	14	28
X9490138100	14	29
X9490138110	14	27
X9490423420	14	33
X9490560750	14	32
X9490561001	15	3
X9490562360	14	31
X9490721360	14	25
X9491034320	14	19
X9491034330	14	17
X9491040990	14	14
X9491050100	14	12

Parts No.	Fig. No.	Ref. No.
-----------	----------	----------

Parts No.	Fig. No.	Ref. No.
-----------	----------	----------

Parts No.	Fig. No.	Ref. No.
-----------	----------	----------