

0CW10-M05100EN

PREFACE

- 1.This Parts Catalog carries all parts incorporated in YANMAR Model 3TNV70-KBR engine manufactured since July, 2005.
- 2.Each illustration corresponds to the parts list on the following page.
- 3.When ordering parts,clearly write down the engine model and serial number,as well as the name and number of each part in your order sheet. This will help insure reliable delivery of the parts you have ordered.

Directions for the Parts Catalog.

1. The parts stipulated in this Parts Catalog are not necessarily standard equipped parts.
2. Parts may change without prior notice.
3. The following is an example of the Parts Catalog format.

REF.	LEV.	PARTS NO.	DESCRIPTION	Q'TY						I	R
				(A)	(B)	(C)	(D)	(E)	(F)		
1	1	729595-51390	FUEL INJECTION PUMP	1	1	1	1	1			1
1-1	1	729595-51391	FUEL INJECTION PUMP	1	1	1	1	1		N	1
		(A=E00185) (B=E00200)									
3	2	26022-060162	SCREW M 6X 16	9	9	9	9	9			
3-1	2	26022-060162	SCREW M 6X 16	4	4	4	4	4		K	
		(A=E00156) (B=E00156) (C=E00156) (D=E00156) (E=E00156)									
4	2	129470-51040	CAMSHAFT	1	1	1	1	1			
5	2	122710-51050	BEARING, ROLLER	2	2	2	2	2			
6	2	129470-51060	RETAINER	1	1	1	1	1			

Remarks
(1) BOOST COMPEMSATOR TYPE. OPTIONAL PART, TO E00155,(4JH-DT, 4JH-DTZ

① Ref. No.

The Ref. No. listed may not be in accordance with the illustration Ref. No.

(Ex.) Illustration No.

List Ref No.

1 1 (Before change) → 1-1 (After change)

For interchangeable symbols N, R and K, illustrations for new parts may be abbreviated.

② Lev. (Level)

Level indication

The numbers below indicate the level of relativity towards the main part.

1 ---- Main parts (Assembly parts)

2 ---- Sub component included in " 1 ".

3 ---- Sub component included in " 2 ".

Note) Parts that are not for sale are partially illustrated but not listed.

③ Interchangeability Mark

When a part change takes place, one of the following interchangeability symbols is indicated beside the part.

Symbol	Interchangeability	Contents note
N	Old $\begin{matrix} \leftarrow \text{Yes} \\ \text{No} \rightarrow \end{matrix}$ New	New Part is interchangeable for Old Part but Old Part is not interchangeable for New Part.
Q	Old $\begin{matrix} \leftarrow \text{No} \\ \text{Yes} \rightarrow \end{matrix}$ New	New Part is not interchangeable for Old Part but Old Part is interchangeable for New Part.
R	Old $\begin{matrix} \leftarrow \text{Yes} \\ \text{Yes} \rightarrow \end{matrix}$ New	New/ Old Parts are both interchangeable.
S	Old $\begin{matrix} \leftarrow \text{No} \\ \text{No} \rightarrow \end{matrix}$ New	New/ Old Parts are both not interchangeable.
W		Part newly added.
Z		Part discontinued.
F		Not interchangeable by a single part but interchangeable together with related parts.
K		Changes only for used parts quantities.

④ Effective Machine No.

When a part changes, the effective Machine No. will be indicated in the (A)-(F) column.

Product Symbol	Product No.	Product Symbol	Product No.
C	Clutch No. Compressor No.	F	Machine No. (Agricultural Equip.)
D	Drive No.	M	Machine No.
E	Engine No.		

Note 1) A date may follow the symbol. (Ex.) 1996.01

Note 2) "XXXXX" and "ZZZZZ" are for parts that could not be predicted or for engine models that could not be identified.

Note 3) (A=E00185) is the E (Engine Serial Number) for the column (A) model (in this case 4JH-DT) after the parts design change.

⑤ Remarks Mark

Figures or alphabets (symbols) are entered in the remarks column.

The comments (remarks) on parts that are indicated at the bottom of the illustration are the same symbols as those stated above.

Contents

0CW10-M05100

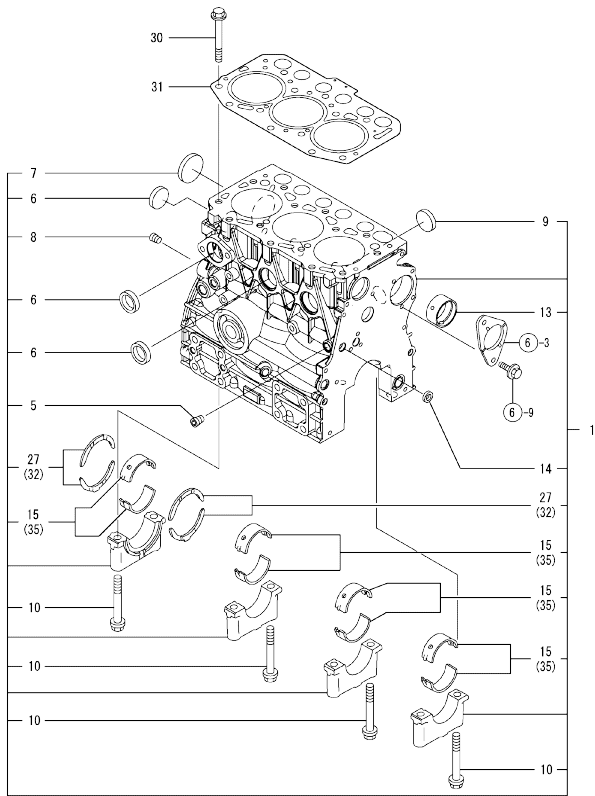
Fig. No.	Fig. Name	Fig. No.	Fig. Name
ENGINE 3TNV70-KBR			
1.	CYLINDER BLOCK		
2.	GEAR HOUSING		
3.	MOUNTING FLANGE & OIL SUMP		
4.	CYLINDER HEAD & BONNET		
5.	EXHAUST MANIFOLD		
6.	CAMSHAFT & DRIVING GEAR		
7.	CRANKSHAFT & PISTON		
8.	LUB.OIL SYSTEM		
9.	COOLING WATER SYSTEM		
10.	FUEL INJECTION PUMP		
11.	GOVERNOR		
12.	FUEL INJECTION VALVE		
13.	FUEL LINE		
14.	STARTING MOTOR		
15.	GENERATOR		
16.	GASKET SET		

0CW10-M05100 ENGINE 3TNV70-KBR
 Fig.1. CYLINDER BLOCK

0CW10-M05100 Fig.1

(A)=3TNV70-KBR
 (B)=
 (C)=

(D)=
 (E)=
 (F)=

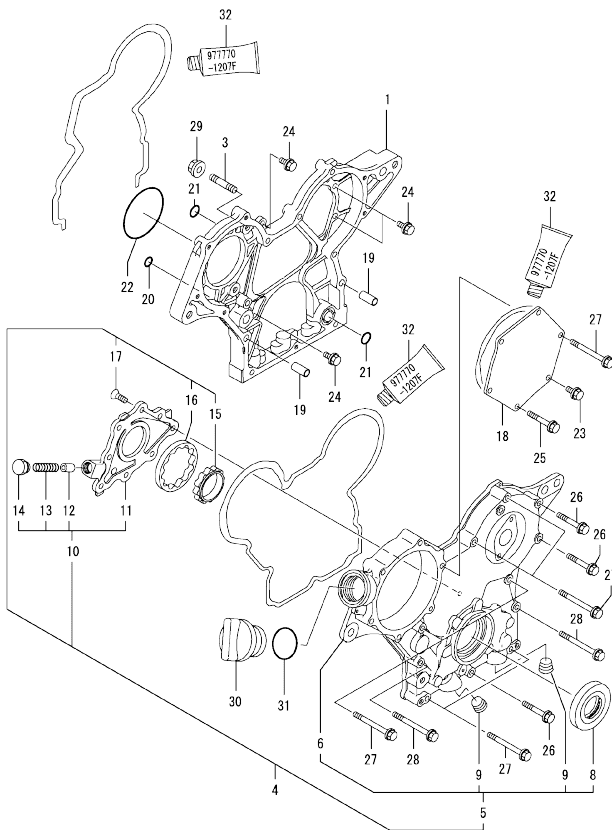


No.	Lev.	Parts No.	Description	Q'ty						I	R
				(A)	(B)	(C)	(D)	(E)	(F)		
1	1	719515-01560	BLOCK ASSY, CYLINDER	1							
5	2	124060-01050	PLUG, PT1/8	1							
6	2	105311-01090	PLUG, 30	4							
7	2	119623-01250	PLUG, 45	1							
8	2	124160-01910	PLUG, PT1/4	1							
9	2	119285-01990	PLUG, 25	3							
10	2	119620-02020	BOLT, METAL CAP	8							
13	2	119717-02410	BUSH, CAMSHAFT	1							
14	2	27241-120000	PLUG, 12	1							
15	2	719717-02900	BEARING, MAIN	4							2
27	2	119717-02930	BEARING, THRUST	2							
30	1	119515-01200	BOLT, HEAD	14							
31	1	119515-01330	GASKET, HEAD	1							
32	1	119810-02940	BEARING, THRUST 0.25	2							1
35	1	719717-02910	BEARING, 0.25 US	4							3

Remarks
 (1) OVER-SIZE(O.S=0.25)PART.
 (2) REPAIR PART.
 (3) UNDER-SIZE(U.S=0.25)PART

N:Old $\frac{100}{100}$ New, Q:Old $\frac{100}{100}$ New, R:Old $\frac{100}{100}$ New, S:Old $\frac{100}{100}$ New, W:Add, Z:Discontinued, F:Interchangeable by set, K:Q'ty Change
 Copyright (C) YANMAR CO., LTD. All Rights Reserved.

Fig.2. GEAR HOUSING



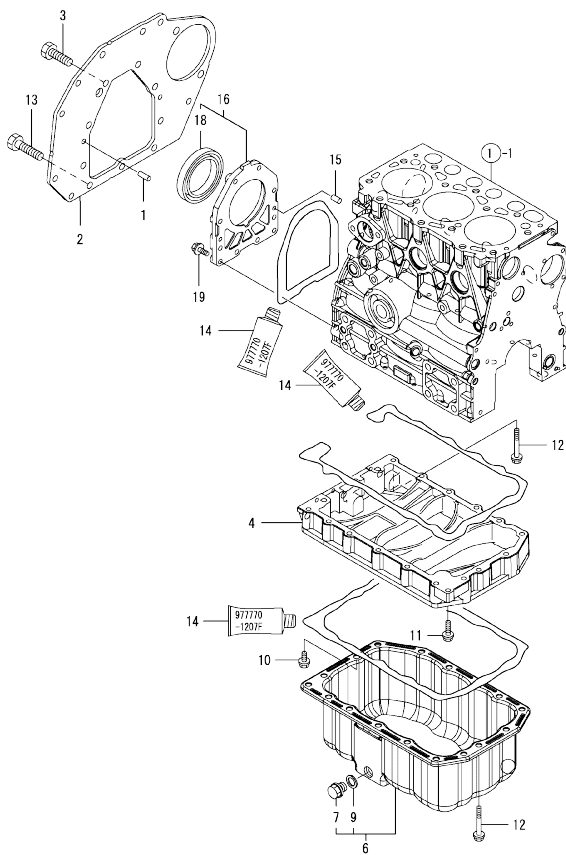
(A)=3TNV70-KBR
(B)=
(C)=

(D)=
(E)=
(F)=

No.	Lev.	Parts No.	Description	Q'ty						I	R
				(A)	(B)	(C)	(D)	(E)	(F)		
1	1	119717-01501	CASE, GEAR	1							
3	1	119717-01570	STUD	3							
4	1	119734-01590	COVER ASSY,GEAR CASE	1							
5	2	719734-01500	COVER ASSY,GEAR CASE	1							
6	3	119717-01521	COVER, GEAR CASE	1							
8	3	119717-01800	SEAL, OIL	1							
9	3	23876-030000	PLUG, R03	2							
10	2	119717-32100	COVER ASSY	1							
11	3	119717-32080	COVER	1							
12	3	129900-32130	VALVE, RELIEF	1							
13	3	129001-32320	SPRING	1							
14	3	129001-32330	PLUG	1							
15	2	119717-32110	ROTOR, INNER	1							
16	2	119717-32120	ROTOR, OUTER	1							
17	2	119802-32130	SCREW, M6X16	8							
18	1	119717-01750	COVER	1							
19	1	119660-01911	PIPE, KNOCK	4							
20	1	119624-32040	O-RING, P12.0	1							
21	1	119717-32050	O-RING, P17.0	3							
22	1	121850-51960	O-RING	1							
23	1	26106-060122	BOLT, M6X 12 PLATED	1							
24	1	26106-060162	BOLT, M6X 16 PLATED	4							
25	1	26106-060402	BOLT, M6X 40 PLATED	4							
26	1	26106-060402	BOLT, M6X 40 PLATED	3							
27	1	26106-060602	BOLT, M6X 60 PLATED	7							
28	1	26106-060652	BOLT, M6X 65 PLATED	2							
29	1	26306-080002	NUT, M8	3							
30	1	124160-01751	COVER, FILLER	1							
31	1	24311-000320	O-RING, 1AP32.0	1							
32	1	977770-1207F	GASKET,LIQUID	1							1

Remarks
(1) OPTIONAL PART.

Fig.3. MOUNTING FLANGE & OIL SUMP

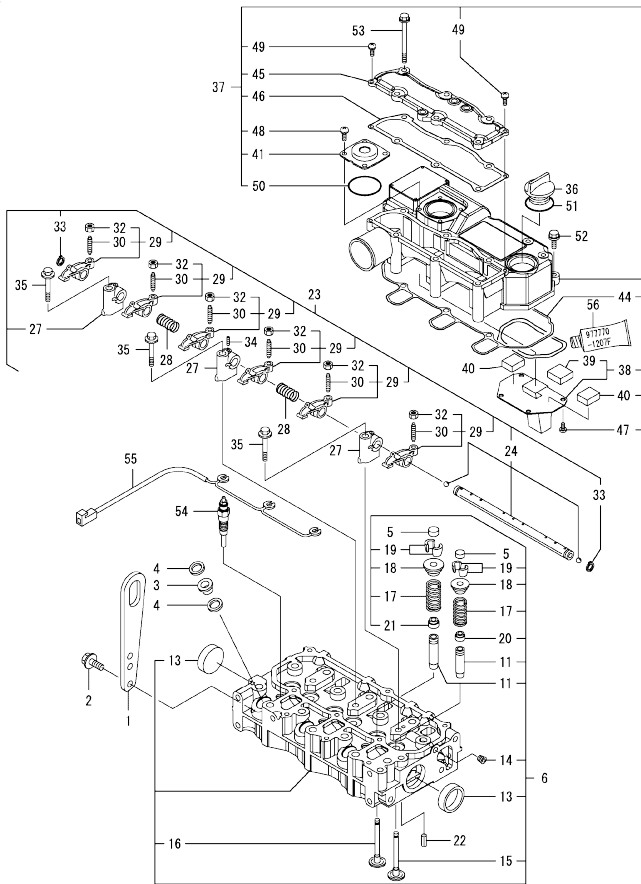


No.	Lev.	Parts No.	Description	Q'ty						I	R
				(A)	(B)	(C)	(D)	(E)	(F)		
1	1	129100-01580	PIN, M8X16		2						
2	1	119718-01600	FLANGE, MOUNTING		1						
3	1	26206-100202	BOLT, M10X 20 PLATED		7						
4	1	119515-01720	SPACER, OIL SUMP		1						
6	1	119546-01770	SUMP ASSY, OIL		1						
7	2	105425-01690	PLUG, 16		1						
9	2	22190-160002	WASHER, SEAL 16		1						
10	1	26106-060122	BOLT, M6X 12 PLATED		1						
11	1	26106-060252	BOLT, M6X 25 PLATED		1						
12	1	26106-060452	BOLT, M6X 45 PLATED		17						
13	1	26206-100252	BOLT, M10X 25 PLATED		3						
14	1	977770-1207F	GASKET, LIQUID		1						1
15	1	119620-01620	PIN, M6X10		2						
16	1	119734-01640	CASE ASSY, OIL SEAL		1						
18	2	119734-02220	SEAL, OIL		1						
19	1	26106-060222	BOLT, M6X 22 PLATED		10						

Remarks
(1) OPTIONAL PART.

N:Old $\frac{100}{100}$ New, Q:Old $\frac{100}{100}$ New, R:Old $\frac{100}{100}$ New, S:Old $\frac{100}{100}$ New, W:Add, Z:Discontinued, F:Interchangeable by set, K:Q'ty Change
Copyright (C) YANMAR CO., LTD. All Rights Reserved.

Fig.4. CYLINDER HEAD & BONNET

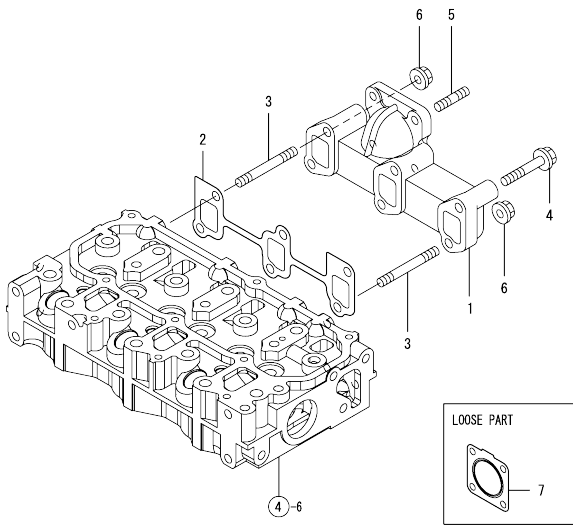


No.	Lev.	Parts No.	Description	Q'ty						I	R
				(A)	(B)	(C)	(D)	(E)	(F)		
1	1	129900-07900	LIFTER	1							
2	1	26106-080162	BOLT, M8X 16 PLATED	2							
3	1	129901-11450	PROTECTOR, NOZZLE	3							
4	1	119600-11460	GASKET, NOZZLE	6							
5	1	105010-11490	CAP, VALVE	6							
6	1	119515-11740	HEAD ASSY, CYLINDER	1							
11	2	119515-11800	GUIDE, VALVE	6							1
13	2	119285-11990	PLUG, 35	2							
14	2	23876-005000	PLUG, R005	1							
15	2	119515-11100	VALVE, INTAKE	3							
16	2	119515-11110	VALVE, EXHAUST	3							
17	2	119717-11131	SPRING, VALVE	6							
18	2	129508-11180	RETAINER, SPRING	6							
19	2	119717-11190	COTTER	12							
20	2	119717-11340	SEAL, VALVE STEM	3							
21	2	119717-11350	SEAL, VALVE STEM	3							
22	1	22351-060012	PIN, SPRING 6.0X12	2							
23	1	119515-11200	SUPPORT ASSY, ARM	1							
24	2	119515-11240	SHAFT ASSY, ROCKER	1							
27	2	119717-11260	SUPPORT, ROCKER ARM	3							
28	2	119515-11280	SPRING	2							
29	2	119717-11650	ARM, ROCKER	6							
30	3	129150-11230	SCREW, VALVE ADJUST	6							
32	3	129150-11750	NUT, M8	6							
33	2	22242-000120	RING, 12	2							
34	2	26979-050162	SCREW, M5X16	1							
35	1	26106-080402	BOLT, M8X 40 PLATED	3							
36	1	124160-01751	COVER, FILLER	1							
37	1	119516-11380	BONNET ASSY, HEAD	1							
38	2	119717-03031	PLATE	1							
39	3	119717-03070	BAFFLE, BREATHER	1							
40	2	119717-03070	BAFFLE, BREATHER	2							
41	2	129006-03120	COVER, DIAPHRAGM	1							
44	2	119515-11310	GASKET, BONNET	1							
45	2	119515-11320	COVER, BONNET	1							
46	2	119515-11330	GASKET	1							
47	2	22857-500100	SCREW, 5X10	4							
48	2	22857-500100	SCREW, 5X10	4							
49	2	22857-500160	SCREW, 5X16	2							
50	2	24341-000400	O-RING, 1AS40.0	1							
51	1	24311-000320	O-RING, 1AP32.0	1							
52	1	26106-060202	BOLT, M6X 20 PLATED	3							
53	1	26106-060752	BOLT, M6X 75 PLATED	6							
54	1	119718-77800	PLUG, GLOW	3							
55	1	119717-77820	CONNECTOR, GLOW PLUG	1							
56	1	977770-1207F	GASKET, LIQUID	1							1

Remarks
(1) REPAIR PART.

N:Old $\frac{100}{100}$ New, Q:Old $\frac{100}{100}$ New, R:Old $\frac{100}{100}$ New, S:Old $\frac{100}{100}$ New, W:Add, Z:Discontinued, F:Interchangeable by set, K:Q'ty Change
Copyright (C) YANMAR CO., LTD. All Rights Reserved.

0CW10-M05100 ENGINE 3TNV70-KBR
 Fig.5. EXHAUST MANIFOLD



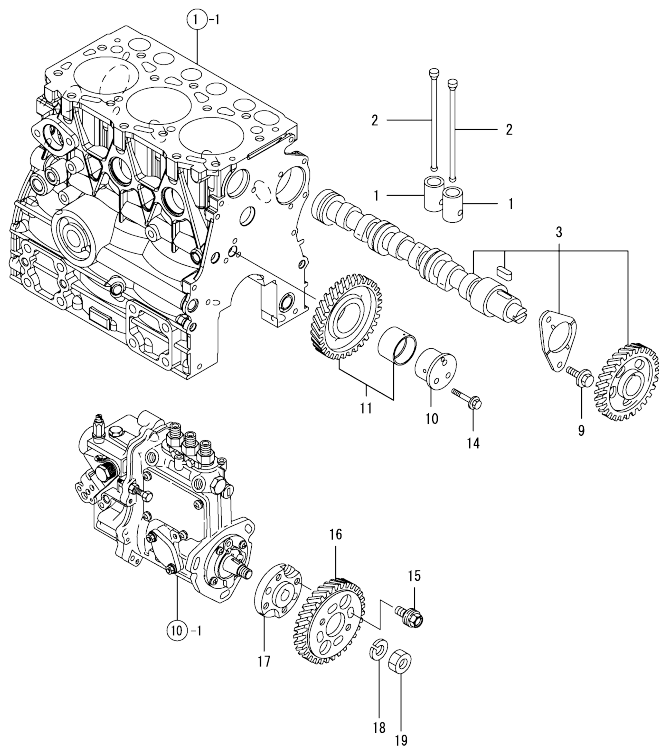
(A)=3TNV70-KBR
 (B)=
 (C)=

(D)=
 (E)=
 (F)=

No.	Lev.	Parts No.	Description	Q'ty						I	R
				(A)	(B)	(C)	(D)	(E)	(F)		
1	1	119718-13100	MANIFOLD, EXHAUST	1							
2	1	119717-13110	GASKET	1							
3	1	119717-13600	STUD, M8X50	2							
4	1	119802-13620	BOLT, M8X50	4							
5	1	119131-18320	STUD, M8X22	4							
6	1	26306-080002	NUT, M8	2							
7	1	119515-13200	GASKET, SILENCER	1							

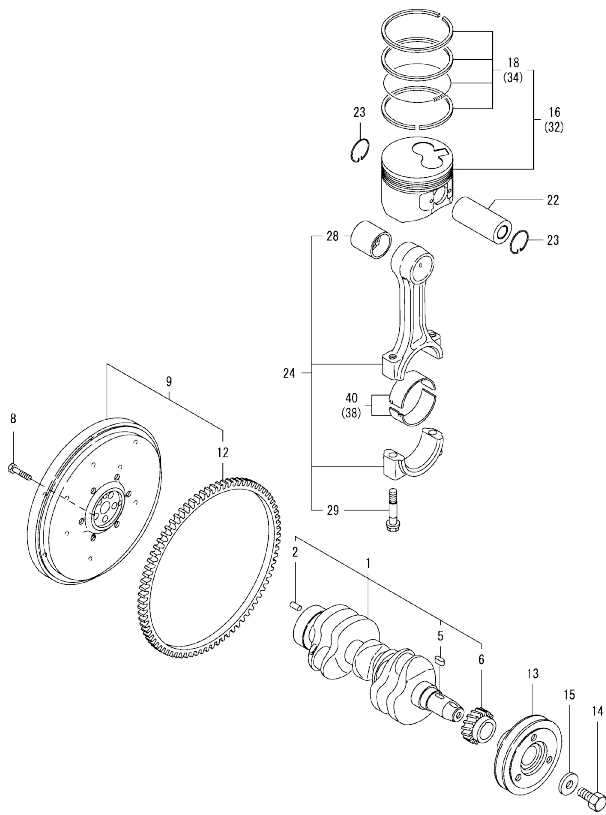
N:Old $\frac{New}{Old}$ New. Q:Old $\frac{New}{Old}$ New. R:Old $\frac{New}{Old}$ New. S:Old $\frac{New}{Old}$ New. W:Add. Z:Discontinued. F:Interchangeable by set. K:Qty Change
 Copyright (C) YANMAR CO., LTD. All Rights Reserved.

Fig.6. CAMSHAFT & DRIVING GEAR



No.	Lev.	Parts No.	Description	Q'ty					
				(A)	(B)	(C)	(D)	(E)	(F)
1	1	119620-14200	TAPPET	6					
2	1	119515-14400	ROD, PUSH	6					
3	1	119515-14580	CAMSHAFT ASSY	1					
9	1	26106-060122	BOLT, M6X 12 PLATED	2					
10	1	119717-25050	SHAFT, IDLE	1					
11	1	119717-25100	GEAR ASSY, IDLE	1					
14	1	26106-060352	BOLT, M6X 35 PLATED	3					
15	1	129150-25301	BOLT	4					
16	1	119717-25930	GEAR, PUMP	1					
17	1	119717-51150	FLANGE	1					
18	1	22217-120000	WASHER, SPRING 12	1					
19	1	26716-120002	NUT, M12	1					

Fig.7. CRANKSHAFT & PISTON



(A)=3TNV70-KBR
(B)=
(C)=

(D)=
(E)=
(F)=

No.	Lev.	Parts No.	Description	Q'ty						I	R
				(A)	(B)	(C)	(D)	(E)	(F)		
1	1	119515-21700	CRANKSHAFT ASSY	1							
2	2	129100-01580	PIN, M8X16	1							
5	2	22512-040120	KEY, 4X 12	1							
6	2	119717-21200	GEAR, CRANKSHAFT	1							
8	1	119620-21500	BOLT, FLYWHEEL	5							
9	1	119515-21600	FLYWHEEL ASSY	1							
12	2	124060-21600	GEAR, RING	1							
13	1	119717-21650	V-PULLEY	1							
14	1	119621-21680	BOLT, FLANGE 12X1.25	1							
15	1	119620-21941	WASHER	1							
16	1	119516-22020	PISTON ASSY	3							
18	2	119515-22500	RING SET, PISTON	3							
22	1	119515-22300	PIN, PISTON	3							
23	1	22252-000220	RING, 22	6							
24	1	119515-23000	ROD ASSY, CONNECTING	3							
28	2	119717-23910	BEARING, PISTON PIN	3							2
29	2	119717-23200	BOLT, CONNECTING ROD	6							
32	1	119516-22030	PISTON ASSY, 0.25 OS	3							1
34	2	119515-22550	RING SET, 0.25 OS	3							1
38	1	119515-23610	METAL ASSY, 0.25	3							3
40	1	119515-23600	BEARING, CRANK PIN	3							

Remarks
(1) OVER-SIZE(O.S=0.25)PART.
(2) REPAIR PART.
(3) UNDER-SIZE(U.S=0.25)PART.

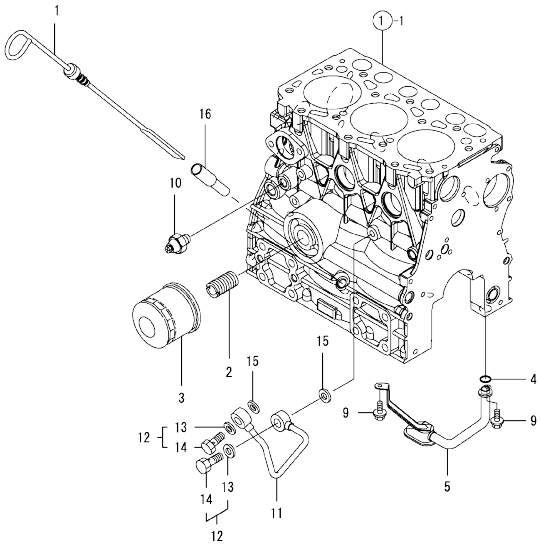
N:Old $\frac{100}{100}$ New, Q:Old $\frac{100}{100}$ New, R:Old $\frac{100}{100}$ New, S:Old $\frac{100}{100}$ New, W:Add, Z:Discontinued, F:Interchangeable by set, K:Q'ty Change
Copyright (C) YANMAR CO., LTD. All Rights Reserved.

Fig.8. LUB.OIL SYSTEM

(A)=3TNV70-KBR
(B)=
(C)=

(D)=
(E)=
(F)=

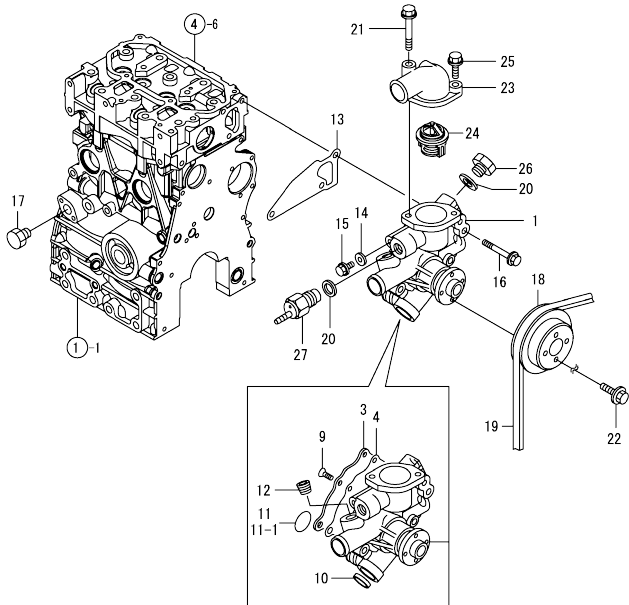
No.	Lev.	Parts No.	Description	Q'ty						I	R
				(A)	(B)	(C)	(D)	(E)	(F)		
1	1	119546-34801	DIPSTICK, OIL	1							
2	1	129100-35140	STUD	1							
3	1	119305-35151	FILTER ASSY, D68XL65	1							1
4	1	119717-32060	O-RING, P15.0	1							
5	1	119546-35080	PIPE ASSY, OIL INLET	1							
9	1	26106-060102	BOLT, M6X 10 PLATED	2							
10	1	121252-39450	SWITCH, 0.5KG	1							
11	1	119717-39210	PIPE, OIL	1							
12	1	129005-59830	BOLT ASSY, JOINT M8	2							
13	2	22190-080002	WASHER, SEAL 6	2							
14	2	23857-030000	BOLT, JOINT 3	2							
15	1	22190-080002	WASHER, SEAL 6	2							
16	1	121520-34810	GUIDE, DIPSTICK	1							



Remarks
(1) REPAIR PART.

N:Old $\frac{100}{100}$ New, Q:Old $\frac{100}{100}$ New, R:Old $\frac{100}{100}$ New, S:Old $\frac{100}{100}$ New, W:Add, Z:Discontinued, F:Interchangeable by set, K:Qty Change
Copyright (C) YANMAR CO., LTD. All Rights Reserved.

Fig.9. COOLING WATER SYSTEM

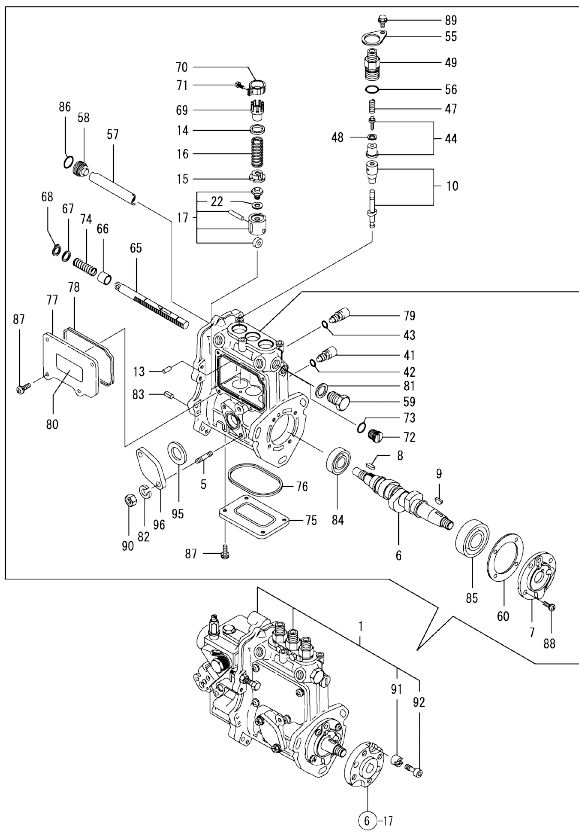


No.	Lev.	Parts No.	Description	Q'ty						I	R
				(A)	(B)	(C)	(D)	(E)	(F)		
1	1	119540-42000	PUMP ASSY, WATER	1							
3	2	119515-42041	COVER	1							
4	2	119717-42031	GASKET	1							
9	2	26577-060122	SCREW, M6X12	4							
10	2	27241-250000	PLUG, 25	1							
11	2	119717-42320	O-RING, P26	1							
12	2	129916-49740	PLUG, R03	1							
13	1	119515-42020	GASKET, WATER PUMP	1							
14	1	23414-080000	GASKET, 8X1.0	1							
15	1	26106-080122	BOLT, M8X 12 PLATED	1							
16	1	26106-080502	BOLT, M8X 50 PLATED	3							
17	1	171056-49120	PLUG, DRAIN	1							
18	1	119717-42350	V-PULLEY, D=100	1							
19	1	129612-42400	V-BELT, A35.5	1							
20	1	124465-44950	GASKET, 16	2							
21	1	26106-080652	BOLT, M8X 65 PLATED	1							
22	1	26106-060122	BOLT, M6X 12 PLATED	4							
23	1	124101-49531	COVER, THERMOSTAT	1							
24	1	119718-49800	THERMOSTAT, 82	1							
25	1	26106-080252	BOLT, M8X 25 PLATED	1							
26	1	121450-42450	PLUG, M16	1							
27	1	121250-44901	SWITCH, 110	1							

Fig.10. FUEL INJECTION PUMP

(A)=3TNV70-KBR
(B)=
(C)=

(D)=
(E)=
(F)=

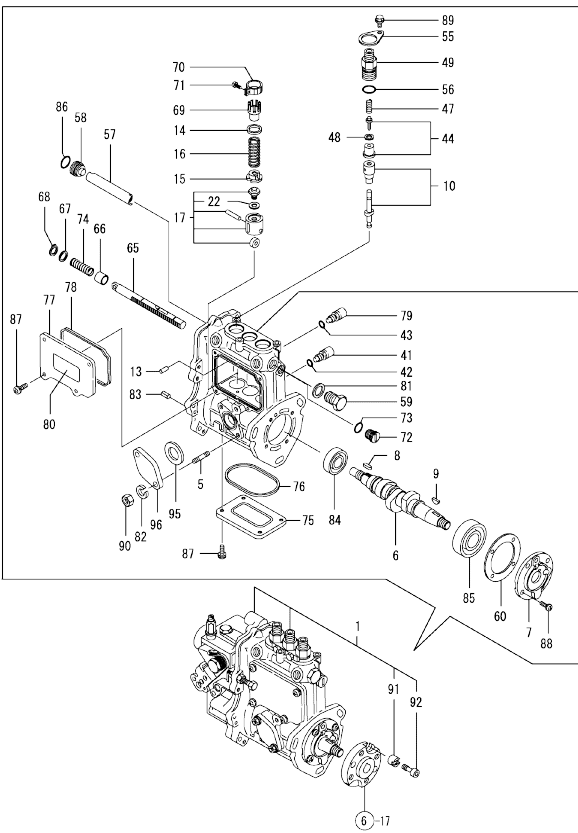


No.	Lev.	Parts No.	Description	Q'ty						I	R
				(A)	(B)	(C)	(D)	(E)	(F)		
1	1	719515-51370	PUMP ASSY, INJECTION	1							1
5	2	129155-51020	STUD	2							
6	2	119717-51030	CAMSHAFT	1							
7	2	119717-51060	SUPPORT, CAMSHAFT	1							
8	2	119717-51070	KEY	1							
9	2	122710-51090	KEY	1							
10	2	119515-51100	PLUNGER ASSY	3							
13	2	129155-51140	PIN	3							
14	2	158600-51170	RETAINER, SPRING	3							
15	2	119717-51180	RETAINER, SPRING	3							
16	2	119717-51190	SPRING, PLUNGER	3							
17	2	119717-51200	TAPPET ASSY	3							
22	3	129155-51600	SHIM SET, ADJUSTING	1							
41	2	158600-51270	STOPPER, TAPPET	3							
42	2	129155-51280	O-RING, S6	3							
43	2	129155-51280	O-RING, S6	1							
44	2	119717-51300	VALVE ASSY, DELIVERY	3							
47	2	119717-51330	SPRING, DELIVERY	3							
48	2	124550-51350	GASKET, DELIVERY	3							
49	2	158600-51441	VALVE ASSY, DELIVERY	3							
55	2	118400-51370	LOCKING	3							
56	2	24316-000150	O-RING, 4DP15.0	3							
57	2	129155-51400	DEFLECTOR	1							
58	2	158600-51410	PLUG, DEFLECTOR	1							
59	2	158600-51420	PLUG, DEFLECTOR	1							
60	2	129155-51450	SHIM SET, ADJUSTING	1							
65	2	119717-51500	RACK, CONTROL	1							
66	2	129155-51521	BUSH, RACK	1							
67	2	129155-51530	SPACER	1							
68	2	129155-51540	CIRCLIP	1							
69	2	129155-51550	PINION, CONTROL	3							
70	2	129100-51560	PINION	3							
71	2	129100-51570	SCREW	3							
72	2	158600-51570	PLUG	1							
73	2	129155-51580	O-RING	1							
74	2	129155-51591	SPRING, RACK	1							
75	2	129155-51701	COVER	1							
76	2	119717-51710	GASKET	1							
77	2	119717-51750	COVER	1							
78	2	119717-51760	GASKET	1							
79	2	158600-51790	STOOPER, RACK	1							
80	2	129156-51910	LABEL, CAUTION	1							
81	2	22190-160002	WASHER, SEAL 16	1							
82	2	22217-060000	WASHER, SPRING 6	2							
83	2	22351-050010	PIN, SPRING 5.0X10	2							
84	2	24101-060034	BEARING, BALL 6003	1							
85	2	24101-063034	BEARING, BALL 6303	1							
86	2	119717-51420	O-RING	1							
87	2	26022-050122	SCREW, M5X12	8							
88	2	26022-060162	SCREW, M6X16	4							
89	2	26106-050102	BOLT, M5X10 PLATED	3							

Remarks
(1) GOVERNOR ASSY(FIG.11) IS
INCORPORATED IN THIS FOP.CMP
(REF.NO.1).

N:Old $\frac{New}{Old}$ New, Q:Old $\frac{New}{Old}$ New, R:Old $\frac{New}{Old}$ New, S:Old $\frac{New}{Old}$ New, W:Add, Z:Discontinued, F:Interchangeable by set, K:Q'ty Change
++ CONTINUE ++
Copyright (C) YANMAR CO., LTD. All Rights Reserved.

Fig.10. FUEL INJECTION PUMP



(A)=3TNV70-KBR
(B)=
(C)=

(D)=
(E)=
(F)=

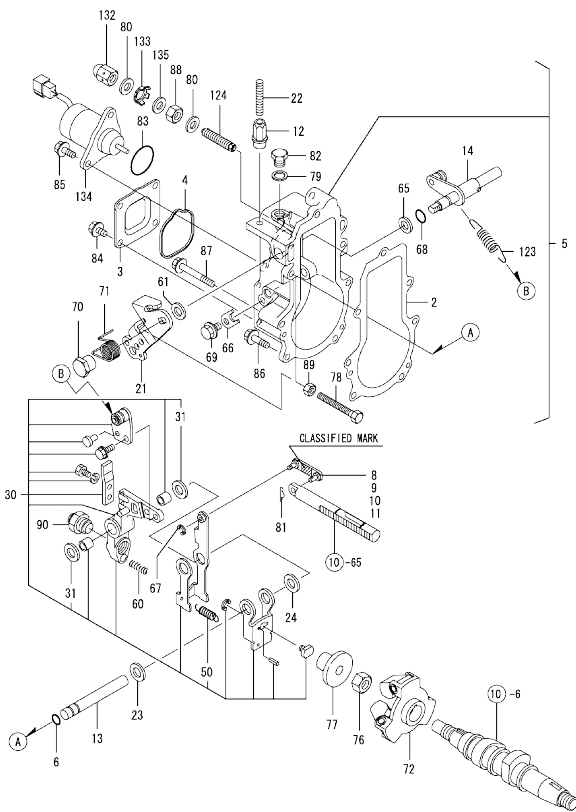
No.	Lev.	Parts No.	Description	Q'ty					
				(A)	(B)	(C)	(D)	(E)	(F)
90	2	26716-060002	NUT, M6	2					
91	2	119717-51480	COLLAR	1					
92	2	119717-51490	BOLT	1					
95	2	129155-52051	GASKET	1					
96	2	129100-52200	COVER	1					

Remarks
(1) GOVERNOR ASSY(FIG.11) IS
INCORPORATED IN THIS FOP.CMP
(REF.NO.1).

Fig.11. GOVERNOR

(A)=3TNV70-KBR
(B)=
(C)=

(D)=
(E)=
(F)=



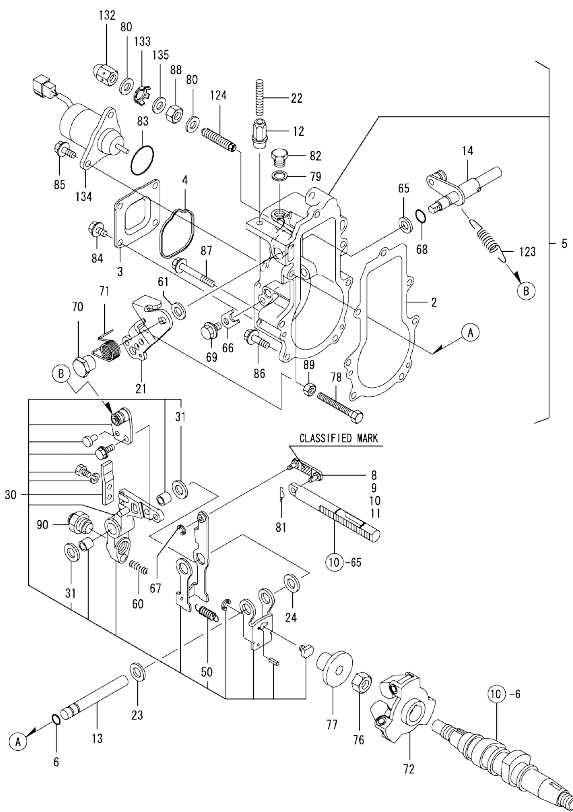
No.	Lev.	Parts No.	Description	Q'ty						I	R
				(A)	(B)	(C)	(D)	(E)	(F)		
2	2	119717-61050	GASKET	1							
3	2	119717-61060	COVER, GOVERNOR CASE	1							
4	2	119717-61070	GASKET	1							
5	2	119515-61200	CASE ASSY, GOVERNOR	1							
6	3	129155-61280	O-RING, S6	1							
8	3	119717-61120	LINK, MARK :3	1							1
9	3	119717-61130	LINK, MARK 98	1							1
10	3	119717-61140	LINK, MARK 88	1							1
11	3	119717-61150	LINK, MARK 03	1							1
12	3	129209-61370	NUT, M6	1							
13	3	129052-61390	SHAFT	1							
14	3	119717-61400	SHAFT ASSY	1							
21	3	119515-61440	LEVER, CONTROL	1							
22	3	129155-61450	BOLT, LIMITER	1							
23	3	129156-61460	SHIM, T=0.6	1							
24	3	129155-61480	SPACER ASSY	1							
30	3	119516-61500	LEVER ASSY, GOVERNOR	1							
31	4	174307-51700	SHIM SET	2							
50	4	129486-61540	SPRING, SET	1							
60	3	129486-61650	SPRING, STARTING	1							
61	3	158552-61700	SHIM SET	1							
65	3	158552-61710	SHIM, T=1.0	1							
66	3	119660-61901	RETAINER, SHAFT	1							
67	3	22272-000030	RING, E- 3	1							
68	3	24341-000070	O-RING, 1AS7.0	1							
69	3	26106-060102	BOLT, M6X 10 PLATED	1							
70	3	129255-61410	NUT, LOCK	1							
71	3	129255-61420	SPRING, RETURN	1							
72	2	119717-61200	WEIGHT ASSY, GOVERNOR	1							
76	2	119660-61300	NUT	1							
77	2	129155-61341	SLEEVE	1							
78	2	129155-61460	BOLT, IDLE	1							
79	2	22190-100002	WASHER, SEAL 10	1							
80	2	22190-120002	WASHER, SEAL 12	2							
81	2	22372-040000	PIN, SNAP 4	1							
82	2	23887-100002	PLUG, 10	1							
83	2	24341-000280	O-RING, 1AS28.0	1							
83-1	2	158552-61900	O-RING	1							N
(A=EXXXXX)											
84	2	26106-060102	BOLT, M6X 10 PLATED	4							
85	2	26106-060142	BOLT, M6X 14 PLATED	2							
86	2	26106-060202	BOLT, M6X 20 PLATED	4							
87	2	26106-060452	BOLT, M6X 45 PLATED	3							
88	2	26736-120002	NUT, M12	1							
89	2	26756-060002	NUT, LOCK M6	1							
90	2	119544-61550	ANGLEICH ASSY	1							
123	2	119717-61700	SPRING, GOVERNOR	1							
124	2	158601-61710	LIMITER ASSY, FUEL	1							
132	2	129209-61930	NUT, CAP	1							
133	2	129209-61970	PLATE	1							
134	2	119653-77950	SOLENOID, STOP	1							

Remarks

(1) SELECTIVE PARTS: CERTAIN THE CLASSIFICATION MARK, THEN PLACE YOUR ORDER. (REF TO ILLUSTRATION).
* THIS FIGURE (GOVERNOR ASSY) IS INCORPORATED IN THE FUEL INJECTION PUMP ASSY (FIG. 10).

N: Old $\frac{New}{Old}$ New, Q: Old $\frac{New}{Old}$ New, R: Old $\frac{New}{Old}$ New, S: Old $\frac{New}{Old}$ New, W: Add, Z: Discontinued, F: Interchangeable by set, K: Qty Change
++ CONTINUE ++
Copyright (C) YANMAR CO., LTD. All Rights Reserved.

Fig.11. GOVERNOR



(A)=3TNV70-KBR
(B)=
(C)=

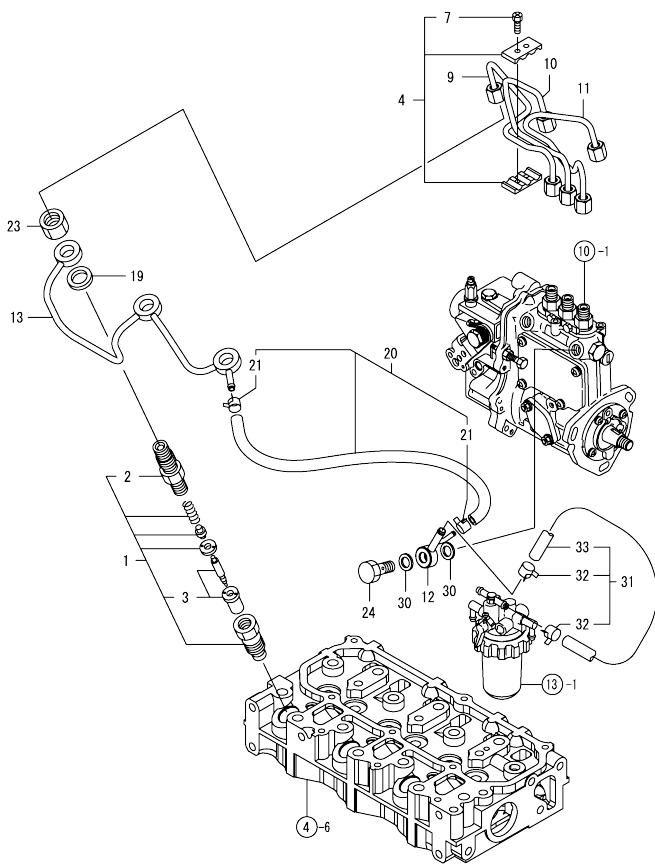
(D)=
(E)=
(F)=

No.	Lev.	Parts No.	Description	Q'ty						I	R
				(A)	(B)	(C)	(D)	(E)	(F)		
135	2	23414-120016	GASKET, 12X1.0	1							

Remarks

(1) SELECTIVE PARTS: CERTAIN THE CLASSIFICATION MARK, THEN PLACE YOUR ORDER. (REF TO ILLUSTRATION).
* THIS FIGURE (GOVERNOR ASSY) IS INCORPORATED IN THE FUEL INJECTION PUMP ASSY (FIG. 10).

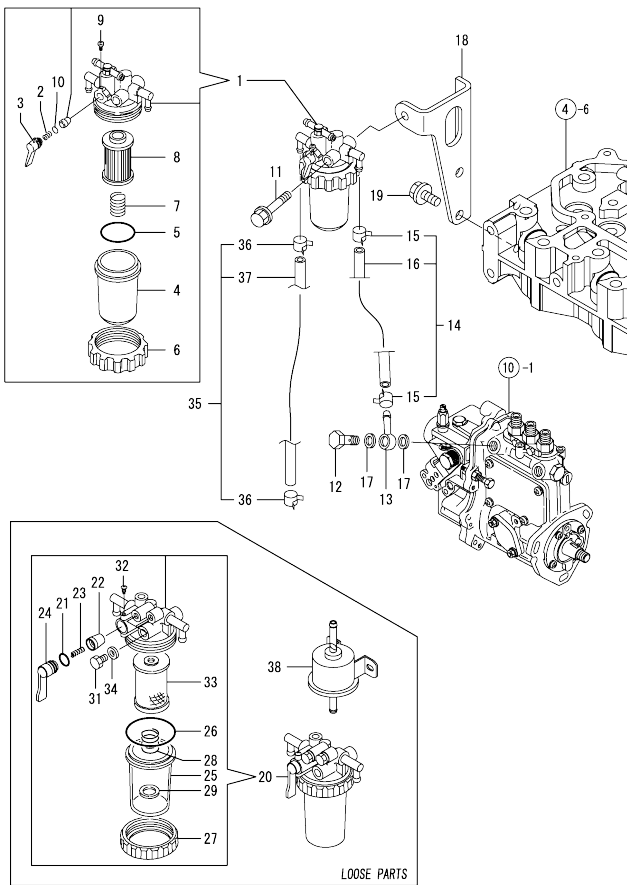
Fig.12. FUEL INJECTION VALVE



No.	Lev.	Parts No.	Description	Q'ty					
				(A)	(B)	(C)	(D)	(E)	(F)
1	1	119515-53001	VALVE ASSY,INJECTION	3					
2	2	118200-53010	HOLDER, NOZZLE	3					
3	2	119515-53010	VALVE ASSY,INJECTION	3					
4	1	129150-59120	RETAINER, PIPE	1					
7	2	129150-59131	BOLT, M4X14	2					
9	1	119546-59810	PIPE ASSY, INJECTION	1					
10	1	119546-59820	PIPE ASSY, INJECTION	1					
11	1	119546-59830	PIPE ASSY, INJECTION	1					
12	1	119840-59570	JOINT	1					
13	1	119515-59540	PIPE ASSY, RETURN	1					
19	1	129901-59560	GASKET	3					
20	1	119540-59570	PIPE ASSY, RETURN	1					
21	2	124066-59100	CLIP, HOSE 8	2					
23	1	119620-59700	NUT, NOZZLE	3					
24	1	119813-59950	VALVE ASSY, CHECK	1					
30	1	22190-120002	WASHER, SEAL 12	2					
31	1	129210-59150	PIPE ASSY, FUEL	1					
32	2	124766-59050	CLIP, HOSE 12	2					
33	2	105025-59530	PIPE, FUEL D13X400	1					

N:Old $\frac{New}{Old}$ New, Q:Old $\frac{New}{Old}$ New, R:Old $\frac{New}{Old}$ New, S:Old $\frac{New}{Old}$ New, W:Add, Z:Discontinued, F:Interchangeable by set, K:Q'ty Change
 Copyright (C) YANMAR CO., LTD. All Rights Reserved.

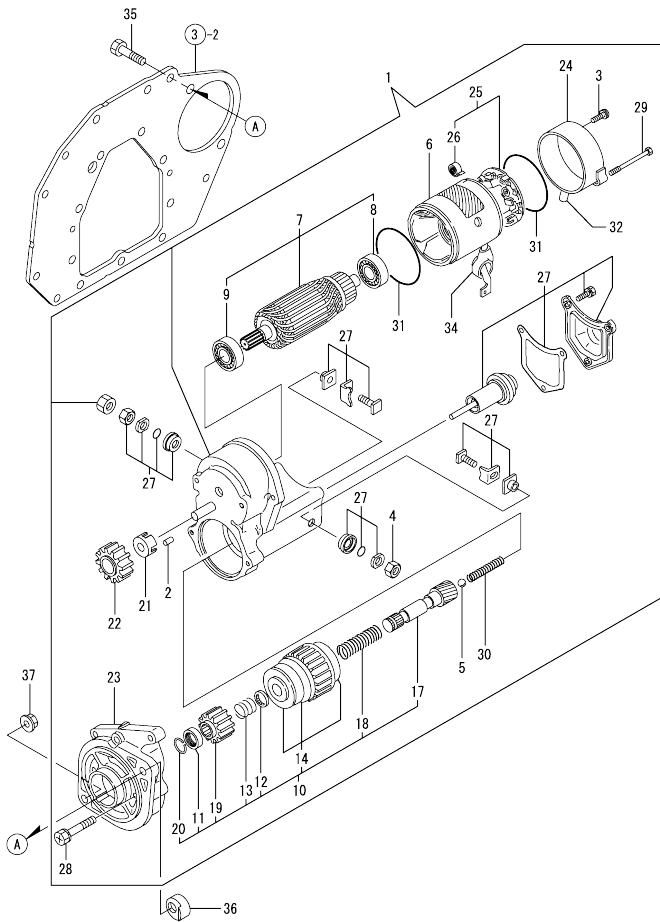
Fig.13. FUEL LINE



No.	Lev.	Parts No.	Description	Qty						I	R
				(A)	(B)	(C)	(D)	(E)	(F)		
1	1	119833-55620	FILTER ASSY, FUEL	1							
2	2	104200-55330	SPRING, VALVE	1							
3	2	119810-55340	LEVER	1							
4	2	121254-55510	COVER	1							
5	2	102103-55520	O-RING	1							
6	2	110250-55610	RING, RETAINING	1							
7	2	121250-55620	SPRING	1							
8	2	119810-55650	ELEMENT	1							
9	2	104200-55750	SCREW, M4	1							
10	2	24311-240100	O-RING, 1AP10A	1							
11	1	26014-080702	BOLT, M8X 70	1							
12	1	103854-39140	BOLT, PIPE JOINT	1							
13	1	101304-59020	JOINT, PIPE 12	1							
14	1	129210-59080	PIPE ASSY, FUEL	1							
15	2	124766-59050	CLIP, HOSE 12	2							
16	2	129136-59110	PIPE, D13/7.5X270	1							
17	1	22190-120002	WASHER, SEAL 12	2							
18	1	119717-55650	BRACKET, FILTER	1							
19	1	26106-080162	BOLT, M8X 16 PLATED	2							
20	1	129335-55700	SEPARATOR ASSY, WATER	1							
21	2	24311-240100	O-RING, 1AP10A	1							
22	2	104200-55321	VALVE, TAPER	1							
23	2	104200-55330	SPRING, VALVE	1							
24	2	104200-55341	HANDLE	1							
25	2	124064-55510	COVER	1							
26	2	102103-55520	O-RING	1							
27	2	110250-55610	RING, RETAINING	1							
28	2	121257-55720	SPRING	1							
29	2	121257-55731	FLOAT	1							
31	2	101720-55750	PLUG, 6	2							
32	2	104200-55750	SCREW, M4	1							
33	2	171081-55910	SCREEN	1							
34	2	23418-060000	GASKET, 6X1.0	2							
35	1	119225-52102	PUMP ASSY, FUEL FEED	1							

OCW10-M05100 ENGINE 3TNV70-KBR
 Fig.14. STARTING MOTOR

OCW10-M05100 Fig.14



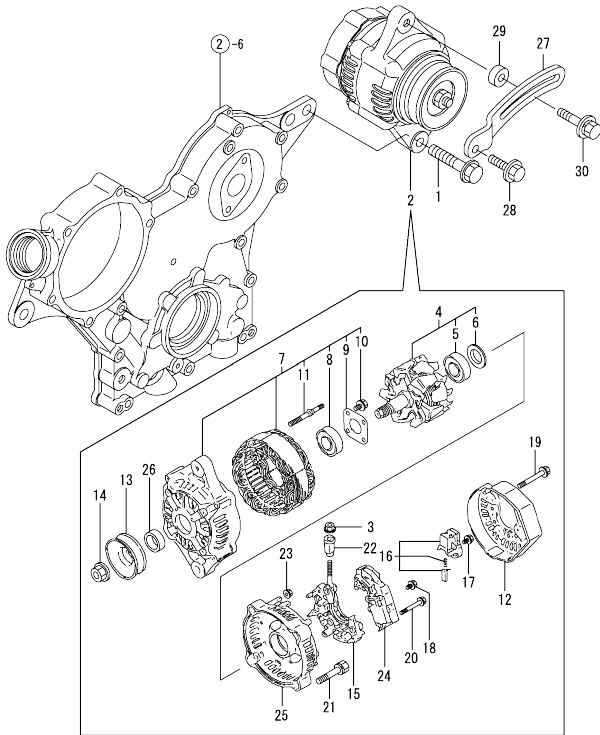
(A)=3TNV70-KBR
 (B)=
 (C)=

(D)=
 (E)=
 (F)=

No.	Lev.	Parts No.	Description	Q'ty						I	R
				(A)	(B)	(C)	(D)	(E)	(F)		
1	1	129129-77010	STARTER ASSY	1							
2	2	X0283060061	ROLLER	5							
3	2	129129-77460	SCREW	2							
4	2	X9490561370	NUT	1							
5	2	X9491200240	BALL	1							
6	2	129129-77210	YOKE ASSY	1							
7	2	129129-77220	ARMATURE ASSY	1							
8	3	129129-77230	BEARING	1							
9	3	129129-77240	BEARING	1							
10	2	129129-77250	STARTER	1							
11	3	X0280210230	NUT	1							
12	3	X0283270140	RETAINER	1							
13	3	X9491703371	SPRING, COIL	1							
14	3	129129-77390	CLUTCH ASSY, STARTER	1							
17	3	129129-77400	SHAFT	1							
18	3	129129-77410	SPRING, COIL	1							
19	3	129129-77420	PINION	1							
20	3	129129-77430	RING	1							
21	2	129129-77260	RETAINER	1							
22	2	129129-77270	PINION	1							
23	2	129129-77280	HOUSING	1							
24	2	129129-77290	FRAME	1							
25	2	129129-77300	HOLDER ASSY	1							
26	3	X9491730461	SPRING	4							
27	2	129129-77310	SWITCH ASSY	1							
28	2	129129-77320	BOLT	2							
29	2	129129-77330	BOLT	2							
30	2	129129-77340	SPRING	1							
31	2	129129-77350	O-RING	2							
32	2	129129-77362	COVER	1							
34	2	129129-77380	CAP	1							
35	1	26156-120302	BOLT, M12X 30 PLATED	2							
36	1	119285-77050	NUT	1							
37	1	26376-120002	NUT, M12	1							

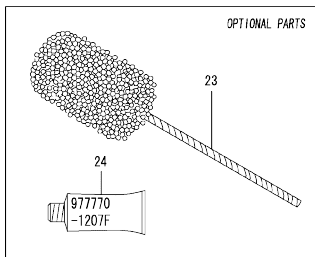
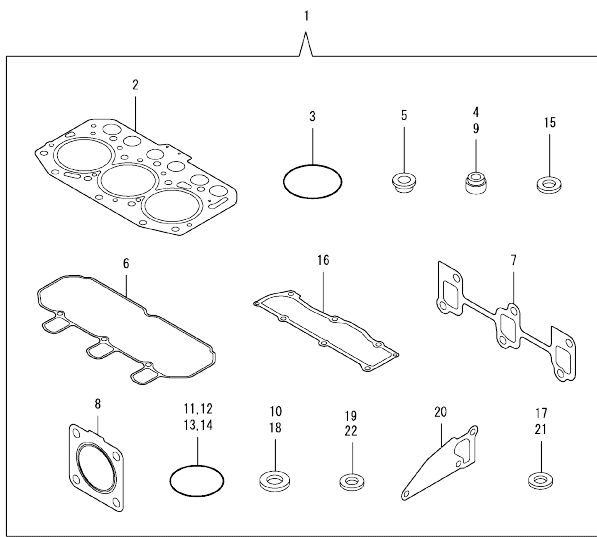
N:Old $\frac{100}{100}$ New, Q:Old $\frac{100}{100}$ New, R:Old $\frac{100}{100}$ New, S:Old $\frac{100}{100}$ New, W:Add, Z:Discontinued, F:Interchangeable by set, K:Q'ty Change
 Copyright (C) YANMAR CO., LTD. All Rights Reserved.

Fig.15. GENERATOR



No.	Lev.	Parts No.	Description	Q'ty						I	R
				(A)	(B)	(C)	(D)	(E)	(F)		
1	1	26106-100502	BOLT, M10X 50 PLATED	1							
2	1	119626-77210	ALTERNATOR, 12V-55A	1							
3	2	X9490561001	NUT	1							
4	2	129052-77380	ROTOR ASSY	1							
5	3	123501-79240	BEARING, BALL	1							
6	3	119620-79250	COVER, BEARING	1							
7	2	129052-77422	FRAME ASSY	1							
8	3	119620-79200	BALL BEARING	1							
9	3	119620-79210	PLATE	1							
10	3	119620-79220	SCREW	4							
11	3	119620-79230	BOLT, STUD	2							
12	2	128401-77440	FRAME	1							
13	2	119620-77461	PULLEY	1							
14	2	119620-77471	NUT	1							
15	2	129052-79260	HOLDER	1							
16	2	129052-79270	HOLDER, BRUSH	1							
17	2	119620-79290	SCREW	6							
18	2	119620-79300	SCREW	1							
19	2	119620-79310	BOLT	3							
20	2	119620-79320	SCREW WWASHER	2							
21	2	119620-79330	BOLT	2							
22	2	119620-79340	INSULATION BUSH	1							
23	2	119620-79350	NUT	2							
24	2	129423-77710	REGULATOR ASSY	1							
25	2	119626-79410	COVER	1							
25-1	2	119626-77450	COVER, END, RR	1							N
(A=FROM 1ST)											
26	2	119620-77490	COLLAR	1							
27	1	119717-77340	ADJUSTER	1							
28	1	26106-080202	BOLT, M8X 20 PLATED	1							
29	1	119940-77270	SPACER, GENERATOR	1							
30	1	129972-77341	BOLT, ADJUSTER L=50	1							

Fig.16. GASKET SET



Remarks
(1)OPTIONAL PARTS.

No.	Lev.	Parts No.	Description	Q'ty						I	R
				(A)	(B)	(C)	(D)	(E)	(F)		
1	1	719515-92680	GASKET SET	1							1
2	2	119515-01330	GASKET, HEAD	1							
3	2	121850-51960	O-RING	1							
4	2	119717-11340	SEAL, VALVE STEM	3							
5	2	129901-11450	PROTECTOR, NOZZLE	3							
6	2	119515-11310	GASKET, BONNET	1							
7	2	119717-13110	GASKET	1							
8	2	119515-13200	GASKET, SILENCER	1							
9	2	119717-11350	SEAL, VALVE STEM	3							
10	2	22190-080002	WASHER, SEAL 6	4							
11	2	24311-000320	O-RING, 1AP32.0	2							
12	2	24341-000400	O-RING, 1AS40.0	1							
13	2	119624-32040	O-RING, P12.0	1							
14	2	119717-32050	O-RING, P17.0	3							
15	2	119600-11460	GASKET, NOZZLE	6							
16	2	119515-11330	GASKET	1							
17	2	22190-160002	WASHER, SEAL 16	1							
18	2	22190-120002	WASHER, SEAL 12	4							
19	2	129901-59560	GASKET	3							
20	2	119515-42020	GASKET, WATER PUMP	1							
21	2	23414-080000	GASKET, 8X1.0	1							
22	2	124465-44950	GASKET, 16	2							
23	1	129400-92410	FLEX HORN	1							1
24	1	977770-1207F	GASKET LIQUID	1							1

Parts No. Index

Parts No.	Fig. No.	Ref. No.	Parts No.	Fig. No.	Ref. No.	Parts No.	Fig. No.	Ref. No.	Parts No.	Fig. No.	Ref. No.
101304-59020	13	13	119515-23000	7	24	119624-32040	2	20	119717-51070	10	8
101720-55750	13	31	119515-23600	7	40		16	13	119717-51150	6	17
102103-55520	13	5	119515-23610	7	38	119626-77210	15	2	119717-51180	10	15
		26	119515-42020	9	13	119626-77450	15	25 -1	119717-51190	10	16
103854-39140	13	12		16	20	119626-79410	15	25	119717-51200	10	17
104200-55321	13	22	119515-42041	9	3	119653-77950	11	134	119717-51300	10	44
104200-55330	13	2	119515-51100	10	10	119660-01911	2	19	119717-51330	10	47
		23	119515-53001	12	1	119660-61300	11	76	119717-51420	10	86
104200-55341	13	24	119515-53010	12	3	119660-61901	11	66	119717-51480	10	91
104200-55750	13	9	119515-59540	12	13	119717-01501	2	1	119717-51490	10	92
		32	119515-61200	11	5	119717-01521	2	6	119717-51500	10	65
105010-11490	4	5	119515-61440	11	21	119717-01570	2	3	119717-51710	10	76
105025-59530	12	33	119516-11380	4	37	119717-01750	2	18	119717-51750	10	77
105311-01090	1	6	119516-22020	7	16	119717-01800	2	8	119717-51760	10	78
105425-01690	3	7	119516-22030	7	32	119717-02410	1	13	119717-55650	13	18
110250-55610	13	6	119516-61500	11	30	119717-02930	1	27	119717-61050	11	2
		27	119540-42000	9	1	119717-03031	4	38	119717-61060	11	3
118200-53010	12	2	119540-59570	12	20	119717-03070	4	39	119717-61070	11	4
118400-51370	10	55	119544-61550	11	90			40	119717-61120	11	8
119131-18320	5	5	119546-01770	3	6	119717-11131	4	17	119717-61130	11	9
119225-52102	13	35	119546-34801	8	1	119717-11190	4	19	119717-61140	11	10
119285-01990	1	9	119546-35080	8	5	119717-11260	4	27	119717-61150	11	11
119285-11990	4	13	119546-59810	12	9	119717-11340	4	20	119717-61200	11	72
119285-77050	14	36	119546-59820	12	10			16	119717-61400	11	14
119305-35151	8	3	119546-59830	12	11	119717-11350	4	21	119717-61700	11	123
119515-01200	1	30	119600-11460	4	4			16	119717-77340	15	27
119515-01330	1	31		16	15	119717-11650	4	29	119717-77820	4	55
		16	119620-01620	3	15	119717-13110	5	2	119718-01600	3	2
119515-01720	3	4	119620-02020	1	10			16	119718-13100	5	1
119515-11100	4	15	119620-14200	6	1	119717-13600	5	3	119718-49800	9	24
119515-11110	4	16	119620-21500	7	8	119717-21200	7	6	119718-77800	4	54
119515-11200	4	23	119620-21941	7	15	119717-21650	7	13	119734-01590	2	4
119515-11240	4	24	119620-59700	12	23	119717-23200	7	29	119734-01640	3	16
119515-11280	4	28	119620-77461	15	13	119717-23910	7	28	119734-02220	3	18
119515-11310	4	44	119620-77471	15	14	119717-25050	6	10	119802-13620	5	4
		16	119620-77490	15	26	119717-25100	6	11	119802-32130	2	17
119515-11320	4	45	119620-79200	15	8	119717-25930	6	16	119810-02940	1	32
119515-11330	4	46	119620-79210	15	9	119717-32050	2	21	119810-55340	13	3
		16	119620-79220	15	10			16	119810-55650	13	8
119515-11740	4	6	119620-79230	15	11	119717-32060	8	4	119813-59950	12	24
119515-11800	4	11	119620-79250	15	6	119717-32080	2	11	119833-55620	13	1
119515-13200	5	7	119620-79290	15	17	119717-32100	2	10	119840-59570	12	12
		16	119620-79300	15	18	119717-32110	2	15	119940-77270	15	29
119515-14400	6	2	119620-79310	15	19	119717-32120	2	16	121250-44901	9	27
119515-14580	6	3	119620-79320	15	20	119717-39210	8	11	121250-55620	13	7
119515-21600	7	9	119620-79330	15	21	119717-42031	9	4	121252-39450	8	10
119515-21700	7	1	119620-79340	15	22	119717-42320	9	11	121254-55510	13	4
119515-22300	7	22	119620-79350	15	23	119717-42350	9	18	121257-55720	13	28
119515-22500	7	18	119621-21680	7	14	119717-51030	10	6	121257-55731	13	29
119515-22550	7	34	119623-01250	1	7	119717-51060	10	7	121450-42450	9	26

Parts No. Index

Parts No.	Fig. No.	Ref. No.	Parts No.	Fig. No.	Ref. No.	Parts No.	Fig. No.	Ref. No.	Parts No.	Fig. No.	Ref. No.
121520-34810	8	16	129129-77362	14	32	129900-07900	4	1	23876-005000	4	14
121850-51960	2	22	129129-77380	14	34	129900-32130	2	12	23876-030000	2	9
	16	3	129129-77390	14	14	129901-11450	4	3	23887-100002	11	82
122710-51090	10	9	129129-77400	14	17		16	5	24101-060034	10	84
123501-79240	15	5	129129-77410	14	18	129901-59560	12	19	24101-063034	10	85
124060-01050	1	5	129129-77420	14	19		16	19	24311-000320	2	31
124060-21600	7	12	129129-77430	14	20	129916-49740	9	12		4	51
124064-55510	13	25	129129-77460	14	3	129972-77341	15	30		16	11
124066-59100	12	21	129136-59110	13	16	158552-61700	11	61	24311-240100	13	10
124101-49531	9	23	129150-11230	4	30	158552-61710	11	65			21
124160-01751	2	30	129150-11750	4	32	158552-61900	11	83	24316-000150	10	56
	4	36	129150-25301	6	15	158600-51170	10	14	24341-000070	11	68
124160-01910	1	8	129150-59120	12	4	158600-51270	10	41	24341-000280	11	83
124465-44950	9	20	129150-59131	12	7	158600-51410	10	58	24341-000400	4	50
	16	22	129155-51020	10	5	158600-51420	10	59		16	12
124550-51350	10	48	129155-51140	10	13	158600-51441	10	49	26014-080702	13	11
124766-59050	12	32	129155-51280	10	42	158600-51570	10	72	26022-050122	10	87
	13	15			43	158600-51790	10	79	26022-060162	10	88
128401-77440	15	12		11	6	158601-61710	11	124	26106-050102	10	89
129001-32320	2	13	129155-51400	10	57	171056-49120	9	17	26106-060102	8	9
129001-32330	2	14	129155-51450	10	60	171081-55910	13	33		11	69
129005-59830	8	12	129155-51521	10	66	174307-51700	11	31			84
129006-03120	4	41	129155-51530	10	67	22190-080002	8	13	26106-060122	2	23
129052-61390	11	13	129155-51540	10	68			15		3	10
129052-77380	15	4	129155-51550	10	69			16		6	9
129052-77422	15	7	129155-51580	10	73	22190-100002	11	79		9	22
129052-79260	15	15	129155-51591	10	74	22190-120002	11	80	26106-060142	11	85
129052-79270	15	16	129155-51600	10	22			12	26106-060162	2	24
129100-01580	3	1	129155-51701	10	75			13	26106-060202	4	52
	7	2	129155-52051	10	95			16		11	86
129100-35140	8	2	129155-61341	11	77	22190-160002	3	9	26106-060222	3	19
129100-51560	10	70	129155-61450	11	22			10	26106-060252	3	11
129100-51570	10	71	129155-61460	11	78			16	26106-060352	6	14
129100-52200	10	96	129155-61480	11	24	22217-060000	10	82	26106-060402	2	25
129129-77010	14	1	129156-51910	10	80	22217-120000	6	18			26
129129-77210	14	6	129156-61460	11	23	22242-000120	4	33	26106-060452	3	12
129129-77220	14	7	129209-61370	11	12	22252-000220	7	23		11	87
129129-77230	14	8	129209-61930	11	132	22272-000030	11	67	26106-060602	2	27
129129-77240	14	9	129209-61970	11	133	22351-050010	10	83	26106-060652	2	28
129129-77250	14	10	129210-59080	13	14	22351-060012	4	22	26106-060752	4	53
129129-77260	14	21	129210-59150	12	31	22372-040000	11	81	26106-080122	9	15
129129-77270	14	22	129255-61410	11	70	22512-040120	7	5	26106-080162	4	2
129129-77280	14	23	129255-61420	11	71	22857-500100	4	47		13	19
129129-77290	14	24	129335-55700	13	20			48	26106-080202	15	28
129129-77300	14	25	129400-92410	16	23	22857-500160	4	49	26106-080252	9	25
129129-77310	14	27	129423-77710	15	24	23414-080000	9	14	26106-080402	4	35
129129-77320	14	28	129486-61540	11	50			16	26106-080502	9	16
129129-77330	14	29	129486-61650	11	60	23414-120016	11	135	26106-080652	9	21
129129-77340	14	30	129508-11180	4	18	23418-060000	13	34	26106-100502	15	1
129129-77350	14	31	129612-42400	9	19	23857-030000	8	14	26156-120302	14	35

Parts No. Index

Parts No.	Fig. No.	Ref. No.
26206-100202	3	3
26206-100252	3	13
26306-080002	2	29
	5	6
26376-120002	14	37
26577-060122	9	9
26716-060002	10	90
26716-120002	6	19
26736-120002	11	88
26756-060002	11	89
26979-050162	4	34
27241-120000	1	14
27241-250000	9	10
719515-01560	1	1
719515-51370	10	1
719515-92680	16	1
719717-02900	1	15
719717-02910	1	35
719734-01500	2	5
977770-1207F	2	32
	3	14
	4	56
	16	24
X0280210230	14	11
X0283060061	14	2
X0283270140	14	12
X9490561001	15	3
X9490561370	14	4
X9491200240	14	5
X9491703371	14	13
X9491730461	14	26

Parts No.	Fig. No.	Ref. No.
-----------	----------	----------

Parts No.	Fig. No.	Ref. No.
-----------	----------	----------

Parts No.	Fig. No.	Ref. No.
-----------	----------	----------