

0CD50-M02860EN

P R E F A C E

This parts catalog is the 1st edition of 3TNV70-PFN for FOTON.

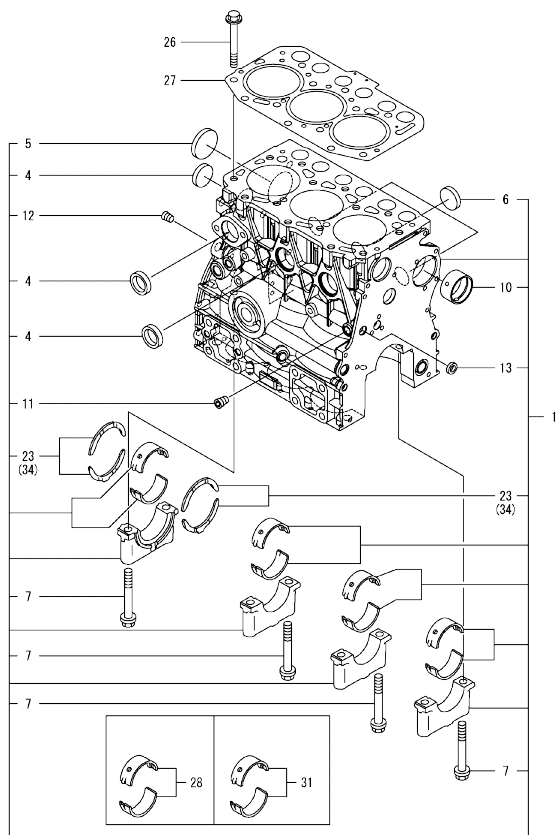
Published : December, 2016

Contents

OCD50-M02860

Fig. No.	Fig. Name	Fig. No.	Fig. Name
ENGINE			
1.	CYLINDER BLOCK		
2.	GEAR HOUSING		
3.	FLYWHEEL HOUSING & OIL SUMP		
4.	CYLINDER HEAD & BONNET		
5.	EXHAUST MANIFOLD		
6.	CAMSHAFT & DRIVING GEAR		
7.	CRANKSHAFT & PISTON		
8.	LUB. OIL SYSTEM		
9.	COOLING WATER SYSTEM		
10.	FUEL INJECTION PUMP		
11.	GOVERNOR		
12.	FUEL INJECTION VALVE		
13.	FUEL PIPE		
14.	STARTER MOTOR		
15.	GENERATOR		
16.	ACCESSORY		
17.	GASKET SET		

Fig.1. CYLINDER BLOCK



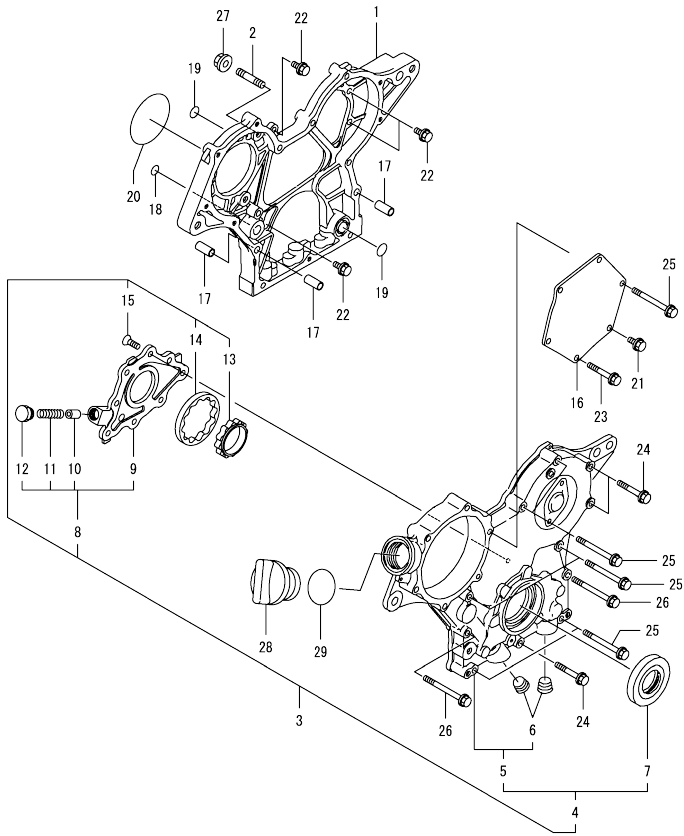
(A)=3TNV70-PFN
(B)=
(C)=

(D)=
(E)=
(F)=

No.	Lev.	Parts No.	Description	Q'ty						I	R
				(A)	(B)	(C)	(D)	(E)	(F)		
1	1	719515-01560	BLOCK ASSY, CYLINDER	1							
4	2	105311-01090	PLUG, CUP TYPE 30	4							
5	2	119623-01250	PLUG, DISH TYPE 45	1							
6	2	119285-01990	PLUG, CUP TYPE 25	3							
7	2	119620-02020	BOLT, METAL CAP	8							
10	2	119717-02411	BUSH, CAMSHAFT	1							
11	2	124060-01050	PLUG, PT1/8	1							
12	2	124160-01910	PLUG, PT1/4	1							
13	2	27241-120000	PLUG, 12	1							
23	2	119717-02930	BEARING ASSY, THRUST	2							
26	1	119515-01200	BOLT, CYLINDER HEAD	14							
27	1	119515-01331	GASKET, HEAD	1							
28	1	719717-02901	BEARING ASSY, MAIN	4							1
31	1	719717-02911	BEARING ASSY, MAIN	4							2
34	1	119810-02941	BEARING, THRUST 0.25	2							3

Remarks
(1)Spare parts.
(2)Under-sized(U.S.=0.25) parts.
(3)Over-sized(O.S.=0.25) parts.

Fig.2. GEAR HOUSING

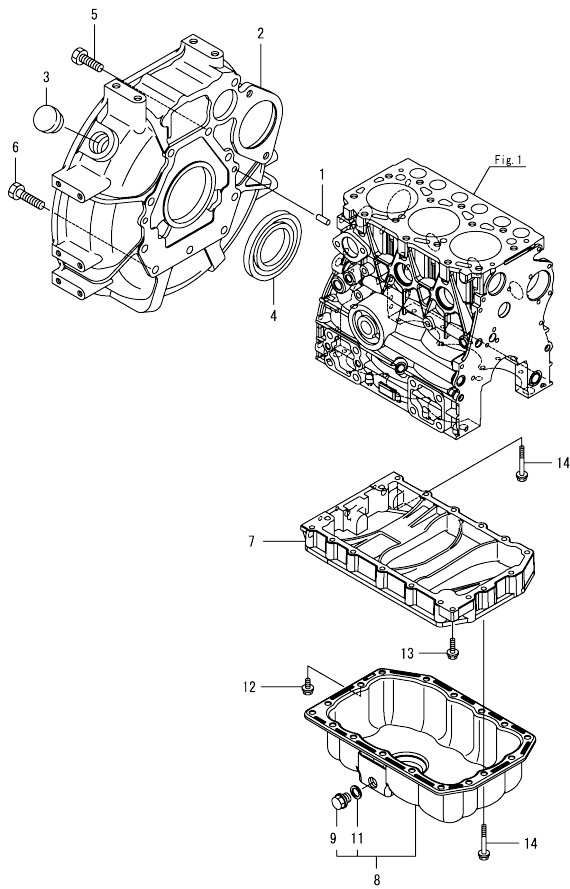


(A)=3TNV70-PFN
(B)=
(C)=

(D)=
(E)=
(F)=

No.	Lev.	Parts No.	Description	Qty						I	R
				(A)	(B)	(C)	(D)	(E)	(F)		
1	1	119717-01501	CASE, GEAR	1							
2	1	119717-01570	BOLT, STUD	3							
3	1	119734-01590	COVER ASSY,GEAR CASE	1							
4	2	719734-01500	COVER ASSY,GEAR CASE	1							
5	3	119717-01521	COVER, GEAR CASE	1							
6	4	23876-030000	PLUG, R03	2							
7	3	119717-01800	SEAL, OIL	1							
8	2	119717-32100	COVER ASSY	1							
9	3	119717-32080	COVER, PUMP	1							
10	3	129900-32130	VALVE, RELIEF	1							
11	3	129001-32320	SPRING	1							
12	3	129001-32330	PLUG	1							
13	2	119717-32110	ROTOR, INNER	1							
14	2	119717-32120	ROTOR, OUTER	1							
15	2	119802-32130	SCREW, M6X16	8							
16	1	119717-01750	COVER, PUMP	1							
17	1	119660-01911	PIPE, DOWEL 6X17	4							
18	1	119624-32040	O-RING, P12.0	1							
19	1	119717-32050	O-RING, P17.0	3							
20	1	121850-51960	O-RING	1							
21	1	26106-060122	BOLT, M6X 12 PLATED	1							
22	1	26106-060162	BOLT, M6X 16 PLATED	4							
23	1	26106-060402	BOLT, M6X 40 PLATED	4							
24	1	26106-060402	BOLT, M6X 40 PLATED	3							
25	1	26106-060602	BOLT, M6X 60 PLATED	7							
26	1	26106-060652	BOLT, M6X 65 PLATED	2							
27	1	26306-080002	NUT, M8	3							
28	1	124160-01751	CAP, FILLER	1							
29	1	24311-000320	O-RING, 1AP32.0	1							

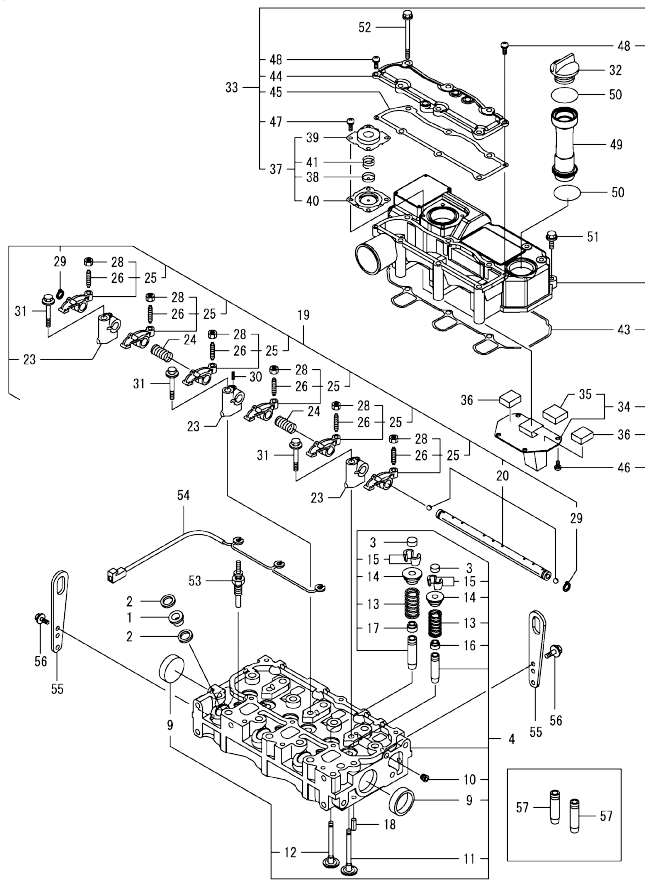
Fig.3. FLYWHEEL HOUSING & OIL SUMP



No.	Lev.	Parts No.	Description	Q'ty						I	R
				(A)	(B)	(C)	(D)	(E)	(F)		
1	1	129100-01580	PIN, PARALLEL 8X16	2							
2	1	119515-01601	HOUSING, FLYWHEEL	1							
3	1	119620-01750	CAP	1							
4	1	119734-02220	SEAL, OIL	1							
5	1	26206-100252	BOLT, M10X 25 PLATED	7							
6	1	26206-100302	BOLT, M10X 30 PLATED	3							
7	1	119515-01720	SPACER, OIL-PAN	1							
8	1	119515-01770	OIL PAN ASSY	1							
9	2	105425-01690	PLUG, M16	1							
11	2	22190-160002	WASHER, SEAL 16	1							
12	1	26106-060122	BOLT, M6X 12 PLATED	1							
13	1	26106-060252	BOLT, M6X 25 PLATED	1							
14	1	26106-060452	BOLT, M6X 45 PLATED	17							

N:Old $\frac{100}{100}$ New, Q:Old $\frac{100}{100}$ New, R:Old $\frac{100}{100}$ New, S:Old $\frac{100}{100}$ New, W:Add, Z:Discontinued, F:Interchangeable by set, K:Q'ty Change
 Copyright (C) 2016 YANMAR GLOBAL CS CO., LTD. All Rights Reserved.

Fig.4. CYLINDER HEAD & BONNET



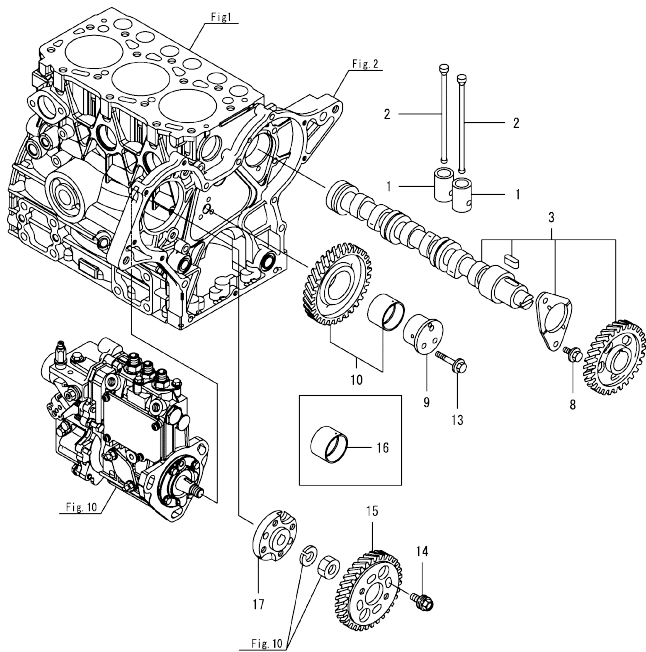
(A)=3TNV70-PFN
(B)=
(C)=

(D)=
(E)=
(F)=

No.	Lev.	Parts No.	Description	Q'ty						I	R
				(A)	(B)	(C)	(D)	(E)	(F)		
1	1	129901-11450	PROTECTOR, NOZZLE	3							
2	1	119600-11460	GASKET, NOZZLE	6							
3	1	105010-11490	CAP, VALVE	6							
4	1	119515-11740	HEAD ASSY, CYLINDER	1							
9	2	119285-11990	PLUG, CUP TYPE 35	2							
10	2	23876-005000	PLUG, R005	1							
11	2	119515-11101	VALVE, SUCTION	3							
12	2	119515-11110	VALVE, EXHAUST	3							
13	2	119717-11131	SPRING, VALVE	6							
14	2	129508-11180	RETAINER, SPRING	6							
15	2	119717-11190	COTTER, VALVE	12							
16	2	119717-11340	SEAL, VALVE STEM	3							
17	2	119717-11350	SEAL, VALVE STEM	3							
18	1	22351-060012	PIN, SPRING 6.0X12	2							
19	1	119515-11200	SUPPORT ASSY, ROCKER	1							
20	2	119515-11240	SHAFT ASSY, ROCKER	1							
23	2	119717-11260	SUPPORT, ROCKER ARM	3							
24	2	119515-11280	SPRING, ROCKER	2							
25	2	119717-11650	ARM ASSY, ROCKER	6							
26	3	129150-11230	SCREW, VALVE ADJUST	6							
28	3	129150-11750	NUT, M8	6							
29	2	22242-000120	RING, 12	2							
30	2	26979-050162	SCREW, M5X16	1							
31	1	26106-080402	BOLT, M8X 40 PLATED	3							
32	1	124160-01751	CAP, FILLER	1							
33	1	119515-11380	BONNET ASSY, HEAD	1							
34	2	119717-03031	PLATE, BAFFLE	1							
35	3	119717-03070	BAFFLE, BREATHER	1							
36	2	119717-03070	BAFFLE, BREATHER	2							
37	2	119802-03100	DIAPHRAGM ASSY	1							
38	3	119802-03110	PLATE, DIAPHRAGM	1							
39	3	119802-03121	COVER, DIAPHRAGM	1							
40	3	119802-03131	DIAPHRAGM	1							
41	3	119802-03141	SPRING, DIAPHRAGM	1							
43	2	119515-11310	GASKET, BONNET	1							
44	2	119515-11320	COVER, BONNET	1							
45	2	119515-11330	GASKET	1							
46	2	22857-500100	SCREW, 5X10	4							
47	2	22857-500100	SCREW, 5X10	4							
48	2	22857-500160	SCREW, 5X16	2							
49	1	121027-11743	PIPE	1							
50	1	24311-000320	O-RING, 1AP32.0	2							
51	1	26106-060202	BOLT, M6X 20 PLATED	3							
52	1	26106-060752	BOLT, M6X 75 PLATED	6							
53	1	119717-77801	PLUG, GLOW	3							
54	1	119717-77820	CONNECTOR, GLOW PLUG	1							
55	1	129900-07900	LIFTER, ENGINE	2							
56	1	26106-080162	BOLT, M8X 16 PLATED	4							
57	1	119515-11800	GUIDE, VALVE	6							

Remarks
(1)Spare parts.

Fig.6. CAMSHAFT & DRIVING GEAR



(A)=3TNV70-PFN
(B)=
(C)=

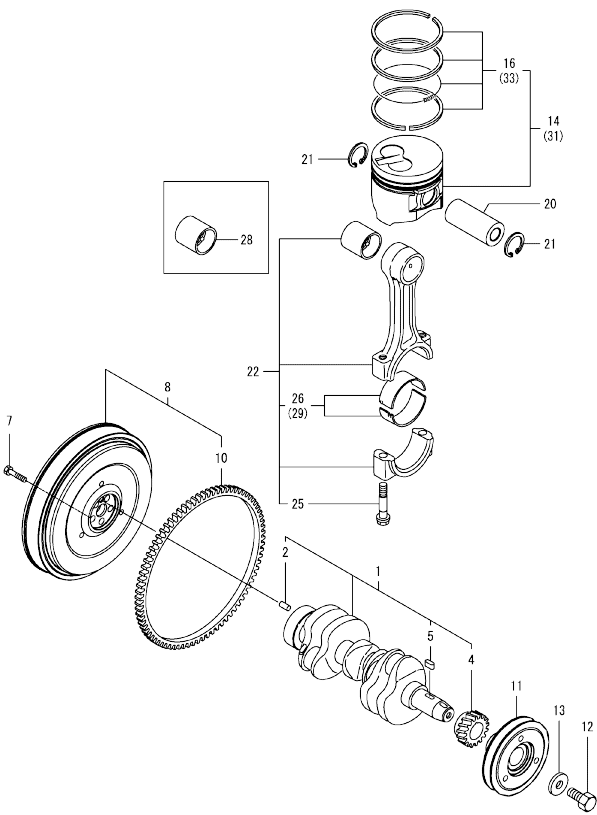
(D)=
(E)=
(F)=

No.	Lev.	Parts No.	Description	Q'ty						I	R
				(A)	(B)	(C)	(D)	(E)	(F)		
1	1	119620-14200	TAPPET	6							
2	1	119515-14400	PUSH-ROD	6							
3	1	119515-14581	CAMSHAFT ASSY	1							
8	1	26106-060122	BOLT, M6X 12 PLATED	2							
9	1	119717-25050	SHAFT, IDLE	1							
10	1	119717-25101	GEAR ASSY, IDLE	1							
13	1	26106-060352	BOLT, M6X 35 PLATED	3							
14	1	129150-25301	BOLT	4							
15	1	119717-25930	GEAR, PUMP	1							
16	1	119717-25911	BUSH, IDLE GEAR	1							1
17	1	119717-51150	FLANGE	1							

Remarks

(1)Spare parts.

Fig.7. CRANKSHAFT & PISTON



(A)=3TNV70-PFN
(B)=
(C)=

(D)=
(E)=
(F)=

No.	Lev.	Parts No.	Description	Q'ty						I	R
				(A)	(B)	(C)	(D)	(E)	(F)		
1	1	119515-21700	CRANKSHAFT ASSY	1							
2	2	129100-01580	PIN, PARALLEL 8X16	1							
4	2	119717-21200	GEAR, CRANKSHAFT	1							
5	2	22512-040120	KEY, 4X 12	1							
7	1	119620-21500	BOLT, FLYWHEEL	5							
8	1	119540-21590	FLYWHEEL ASSY	1							
10	2	124950-21600	GEAR, RING	1							
11	1	119717-21650	V-PULLEY, CRANKSHAFT	1							
12	1	119621-21681	BOLT, FLANGE 12X1.25	1							
13	1	119620-21941	WASHER	1							
14	1	119515-22080	PISTON ASSY	3							
16	2	119515-22500	RING SET, PISTON	3							
20	1	119515-22300	PIN, PISTON	3							
21	1	22252-000220	RING, 22	6							
22	1	119515-23000	ROD ASSY, CONNECTING	3							
25	2	119717-23200	BOLT, CONNECTING ROD	6							
26	2	119515-23601	BEARING, CRANK PIN	3							
28	1	119717-23910	BEARING, PISTON PIN	3							1
29	1	119515-23611	BEARING ASSY, 0.25	3							2
31	1	119515-22900	PISTON ASSY, 0.25 OS	3							3
33	2	119515-22550	RING SET, 0.25 OS	3							3

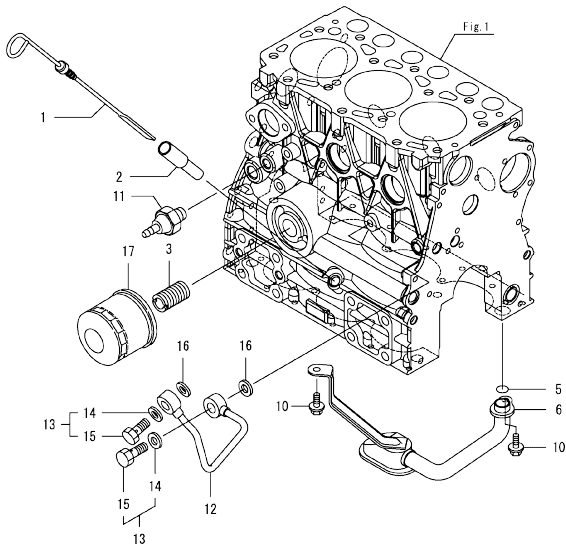
Remarks
(1)Spare parts.
(2)Under-sized(U.S.=0.25) parts.
(3)Over-sized(O.S.=0.25) parts.

Fig.8. LUB. OIL SYSTEM

(A)=3TNV70-PFN
(B)=
(C)=

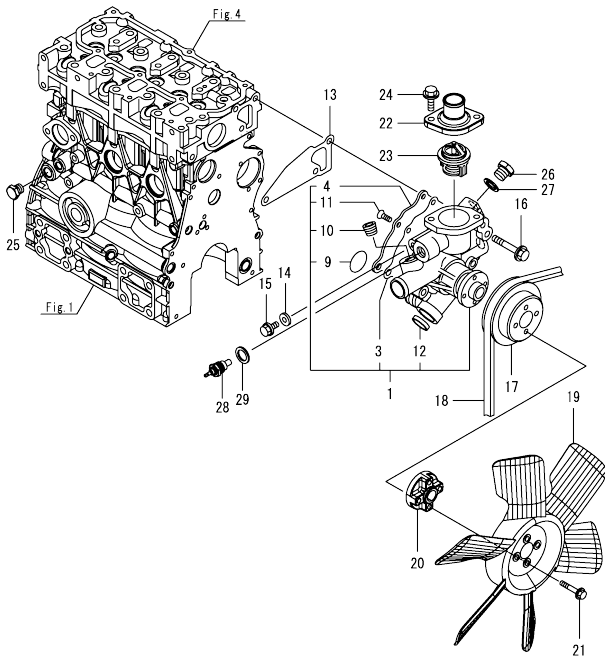
(D)=
(E)=
(F)=

No.	Lev.	Parts No.	Description	Q'ty						I	R
				(A)	(B)	(C)	(D)	(E)	(F)		
1	1	119515-34801	DIPSTICK	1							
2	1	121520-34810	GUIDE, DIPSTICK	1							
3	1	119717-35140	BOLT, STUD	1							
5	1	119717-32060	O-RING, P15.0	1							
6	1	119515-35080	PIPE ASSY, OIL INLET	1							
10	1	26106-060102	BOLT, M6X 10 PLATED	2							
11	1	114250-39450	SWITCH, HYDRAULIC	1							
12	1	119717-39210	PIPE, OIL	1							
13	1	129005-59830	BOLT ASSY, JOINT M8	2							
14	2	22190-080002	WASHER, SEAL 8	2							
15	2	23857-030000	BOLT, JOINT 3	2							
16	1	22190-080002	WASHER, SEAL 8	2							
17	1	119305-35151	FILTER ASSY, D68XL65	1							1



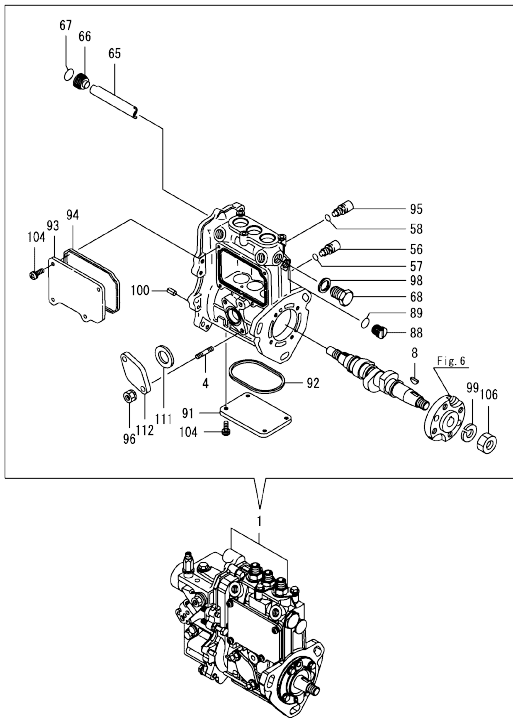
Remarks
(1)Spare parts.

Fig.9. COOLING WATER SYSTEM



No.	Lev.	Parts No.	Description	Q'ty						I	R
				(A)	(B)	(C)	(D)	(E)	(F)		
1	1	119C10-42000	PUMP ASSY, WATER	1							
1-1	1	119C10-42001	PUMP ASSY, CW	1							N
		(A=EK7751)									
3	2	119717-42031	GASKET	1							
4	2	119515-42041	COVER	1							
9	2	119C10-42320	O-RING, 2028	1							
10	2	129916-49740	PLUG, R3/8	1							
11	2	26577-060122	SCREW, M6X12	4							
12	2	27241-250000	PLUG, 25	1							
12-1	2	119717-42050	PLUG, 25	1							N
		(A=EK7751)									
13	1	119515-42020	GASKET, WATER PUMP	1							
14	1	23414-080000	GASKET, 8X1.0	1							
15	1	26106-080122	BOLT, M8X 12 PLATED	1							
16	1	26106-080502	BOLT, M8X 50 PLATED	3							
17	1	119740-42350	V-PULLEY, D=90	1							
18	1	25152-003500	V-BELT, A35	1							
19	1	119653-44740	FAN, COOLING D=320	1							
20	1	121267-44760	SPACER, FAN	1							
21	1	26106-060352	BOLT, M6X 35 PLATED	4							
22	1	129350-49530	COVER, THERMOSTAT	1							
23	1	119717-49800	THERMOSTAT, 71C	1							
24	1	26106-080202	BOLT, M8X 20 PLATED	2							
25	1	171056-49120	PLUG, DRAIN R1/4	1							
26	1	121450-42450	PLUG, M16	1							
27	1	124465-44950	GASKET, 16	1							
28	1	124250-49351	SENSOR, WATER TEMP.	1							
29	1	129150-49360	GASKET	1							

Fig.10. FUEL INJECTION PUMP



(A)=3TNV70-PFN
(B)=
(C)=

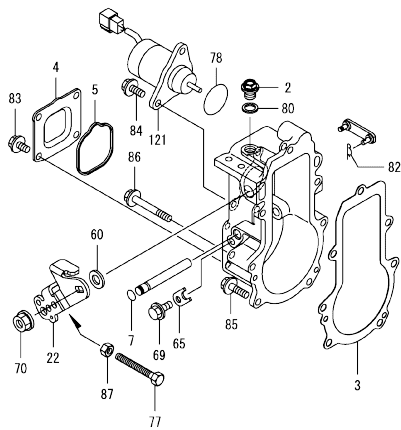
(D)=
(E)=
(F)=

No.	Lev.	Parts No.	Description	Q'ty						I	R	
				(A)	(B)	(C)	(D)	(E)	(F)			
1	1	719540-51500	FIE ASSY	1							1	
4	2	129155-51020	BOLT, STUD	2								
8	2	122710-51090	FEATHER KEY,WOODRUFF	1								
56	2	158600-51270	STOPPER, TAPPET	3								
57	2	129155-51280	O-RING, S6	3								
58	2	129155-51280	O-RING, S6	1								
65	2	129155-51400	DEFLECTOR	1								
66	2	158600-51410	PLUG, DEFLECTOR	1								
67	2	119717-51420	O-RING	1								
68	2	158600-51420	PLUG, DEFLECTOR	1								
88	2	158600-51570	PLUG, RACK	1								
89	2	129155-51580	O-RING	1								
91	2	129155-51701	COVER	1								
92	2	119717-51711	GASKET	1								
93	2	119717-51750	COVER	1								
94	2	119717-51761	GASKET	1								
95	2	158600-51790	STOPPER, RACK	1								
96	2	119717-51860	NUT, M6	2								
98	2	22190-160002	WASHER, SEAL 16	1								
99	2	22217-120000	WASHER, SPRING 12	1								
100	2	22351-050010	PIN, SPRING 5.0X10	2								
104	2	26022-050122	SCREW, M5X12	8								
106	2	26716-120002	NUT, M12	1								
111	2	129155-52051	GASKET	1								
112	2	129100-52200	COVER, PUMP	1								

Remarks

(1)Governor(Fig.11) is incorporated in this Fuel Injection Pump(No.1).

Fig.11. GOVERNOR



(A)=3TNV70-PFN
(B)=
(C)=

(D)=
(E)=
(F)=

No.	Lev.	Parts No.	Description	Q'ty						I	R
				(A)	(B)	(C)	(D)	(E)	(F)		
2	2	119717-51930	PLUG, M10	1							
3	2	119717-61050	GASKET	1							
4	2	119717-61060	COVER, GOVERNOR CASE	1							
5	2	119717-61070	GASKET	1							
7	2	129155-51280	O-RING, S6	1							
22	2	119515-61440	LEVER, CONTROL	1							
60	2	158552-61700	SHIM SET	1							
65	2	119660-61901	STOPPER, SHAFT	1							
69	2	26106-060102	BOLT, M6X 10 PLATED	1							
70	2	26366-080002	NUT, M8	1							
77	2	129155-61460	BOLT, LIMITING	1							
78	2	158552-61900	O-RING	1							
80	2	22190-100002	WASHER, SEAL 10	1							
82	2	22372-040000	PIN, SNAP 4	1							
83	2	26106-060102	BOLT, M6X 10 PLATED	4							
84	2	26106-060142	BOLT, M6X 14 PLATED	2							
85	2	26106-060202	BOLT, M6X 20 PLATED	4							
86	2	26106-060452	BOLT, M6X 45 PLATED	3							
87	2	26756-060002	NUT, LOCK M6	1							
121	2	129630-77900	SOLENOID, STOP	1							

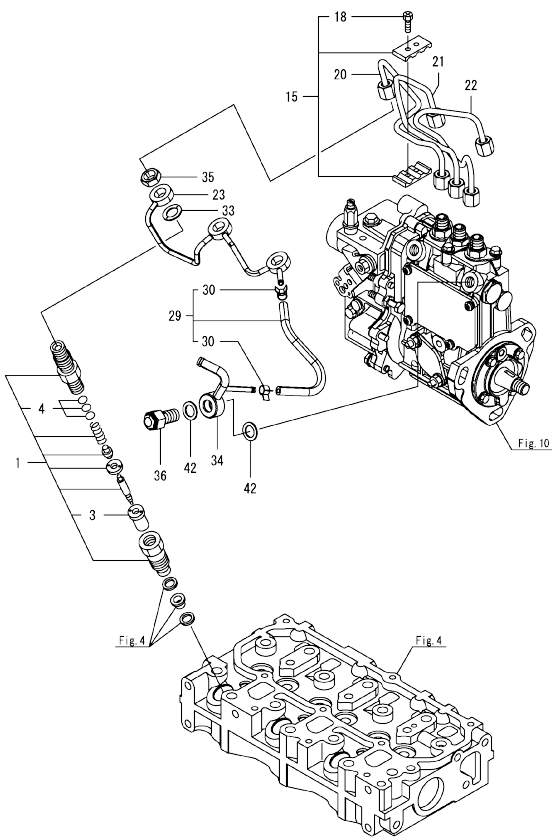
Remarks

* This figure(Governor) is incorporated in the Fuel Injection Pump(Fig.10).

Fig.12. FUEL INJECTION VALVE

(A)=3TNV70-PFN
(B)=
(C)=

(D)=
(E)=
(F)=

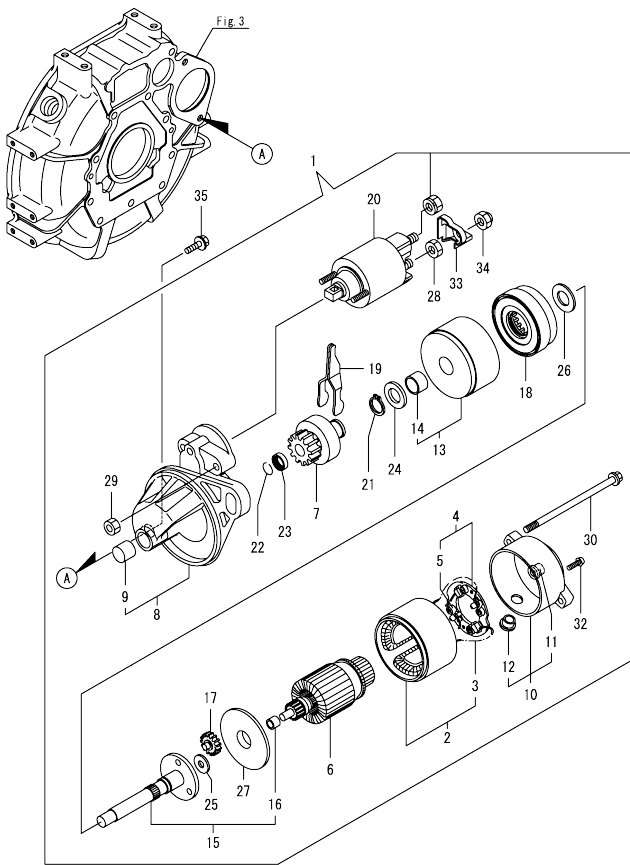


No.	Lev.	Parts No.	Description	Q'ty						I	R
				(A)	(B)	(C)	(D)	(E)	(F)		
1	1	119515-53001	VALVE ASSY,INJECTION	3							
3	2	119515-53010	NOZZLE ASSY, F.I.	3							
4	2	129901-53800	SHIM SET, ADJUSTING	3							1
15	1	129150-59120	RETAINER, PIPE	1							
18	2	129150-59131	BOLT, M4X14	2							
20	1	119546-59810	PIPE ASSY, INJECTION	1							
21	1	119546-59820	PIPE ASSY, INJECTION	1							
22	1	119546-59830	PIPE ASSY, INJECTION	1							
23	1	119515-59540	PIPE ASSY, RETURN	1							
29	1	119744-59560	HOSE ASSY, RETURN	1							
30	2	124066-59100	CLAMP, HOSE 8	2							
33	1	129901-59560	GASKET	3							
34	1	119515-59581	JOINT, OVER FLOW	1							
35	1	119620-59700	NUT, NOZZLE	3							
36	1	119813-59950	VALVE ASSY, CHECK	1							
42	1	22190-120002	WASHER, SEAL 12	2							

Remarks

(1)Spare parts.

Fig.14. STARTER MOTOR

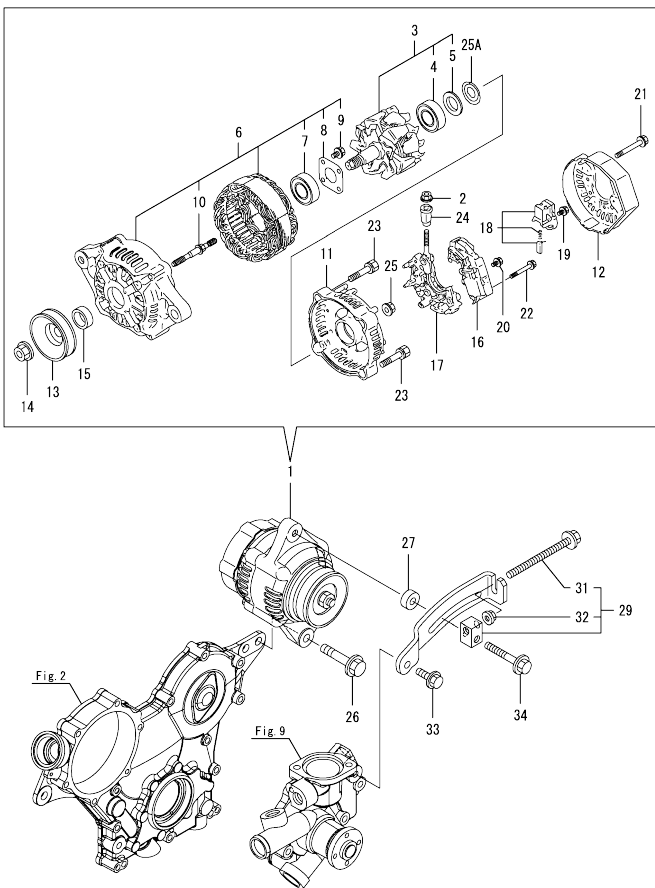


(A)=3TNV70-PFN
(B)=
(C)=

(D)=
(E)=
(F)=

No.	Lev.	Parts No.	Description	Q'ty						I	R
				(A)	(B)	(C)	(D)	(E)	(F)		
1	1	119515-77010	STARTER ASSY	1							
2	2	X0281007680	YOKE ASSY	1							
3	3	X0280996180	STARTER KIT	2							
4	2	X0285105190	HOLDER ASSY	1							
5	3	X0285205030	SPRING	4							
6	2	X0282005871	ARMATURE ASSY	1							
7	2	X0283006960	CLUTCH ASSY	1							
8	2	X4284001590	HOUSING ASSY	1							
9	3	X9491050100	BEARING, NEEDLE	1							
10	2	X0285007030	FRAME ASSY	1							
11	3	X9491040990	BEARING	1							
12	3	X0280626010	COVER	1							
13	2	X0284105040	BEARING ASSY	1							
14	3	X9491034330	BEARING	1							
15	2	X0286105010	SHAFT ASSY	1							
16	3	X9491034320	BEARING	1							
17	2	X0286305010	GEAR	3							
18	2	X0286355010	GEAR	1							
19	2	X0287405140	LEVER	1							
20	2	X2534000090	SWITCH ASSY	1							
21	2	X9055715000	RING	1							
22	2	X9490721360	RING	1							
23	2	X0280210331	NUT	1							
24	2	X9490138110	WASHER	1							
25	2	X9490138090	WASHER	1							
26	2	X9490138100	WASHER	1							
27	2	X0284525010	PLATE	1							
28	2	X9490562360	NUT	1							
29	2	X9490560750	NUT	2							
30	2	X9490423520	BOLT, THROUGH	2							
32	2	X9490065670	SCREW, M4X6	2							
33	2	X1280330020	COVER, TERMINAL	1							
34	2	X1289510130	NUT	1							
35	1	26106-100252	BOLT, M10X 25 PLATED	2							

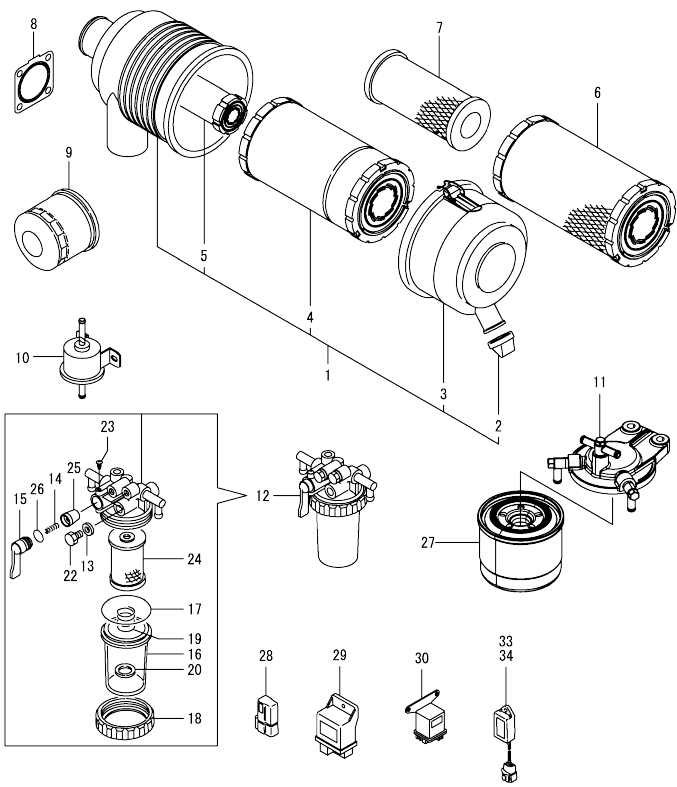
Fig.15. GENERATOR



No.	Lev.	Parts No.	Description	Q'ty						I	R
				(A)	(B)	(C)	(D)	(E)	(F)		
1	1	119626-77210	ALTERNATOR, 12V-55A	1							
1-1	1	119626-77220 (A=EF8608)	ALTERNATOR, 12V-55A	1							N
1-2	1	129423-77210 (A=EH1251)	ALTERNATOR, 12V-40A	1							N
2	2	X9490561001	NUT	1							
3	2	129052-77380	ROTOR ASSY	1							
3-1	2	119620-77380 (A=EH1251)	ROTOR ASSY	1							N
4	3	123501-79240	BEARING, BALL	1							
5	3	119620-79250	COVER, BEARING	1							
6	2	129052-77422	FRAME ASSY	1							
6-1	2	119620-77440 (A=EH1251)	FRAME ASSY, DRIVE	1							N
7	3	119620-79200	BEARING, BALL	1							
8	3	119620-79210	RETAINER	1							
9	3	119620-79220	SCREW	4							
10	3	119620-79230	BOLT, STUD	2							
11	2	128401-77440	COVER, END	1							
11-1	2	119620-77440 (A=EH1251)	FRAME ASSY, REAR	1							N
12	2	119626-77450	COVER, END	1							
12-1	2	129240-79300 (A=EH1251)	COVER	1							N
13	2	119620-77461	PULLEY, GENERATOR	1							
14	2	119620-77471	NUT	1							
15	2	119620-77490	COLLAR	1							
16	2	129423-77710	REGULATOR ASSY	1							
16-1	2	129423-77730 (A=EF8608)	REGULATOR ASSY	1							N
17	2	129052-79260	HOLDER	1							
18	2	129052-79270	HOLDER, BRUSH	1							
19	2	119620-79290	SCREW	6							
20	2	119620-79300	SCREW	1							
21	2	119620-79310	BOLT	3							
22	2	119620-79320	SCREW	2							
23	2	119620-79330	BOLT	2							
24	2	119620-79340	BUSH, INSULATION	1							
25	2	119620-79350	NUT	2							
25A	2	119620-79360 (A=EH1251)	WASHER, THRUST	1							W
26	1	26106-100502	BOLT, M10X 50 PLATED	1							
27	1	119940-77270	SPACER	1							
28	1	119740-77310	ADJUSTER	1							
29	1	119624-77351	BLOCK ASSY, ADJUSTER	1							
31	2	26106-081004	BOLT, M8X100 PLATED	1							
32	2	26306-080002	NUT, M8	1							
33	1	26106-080202	BOLT, M8X 20 PLATED	1							
34	1	26106-080552	BOLT, M8X 55 PLATED	1							

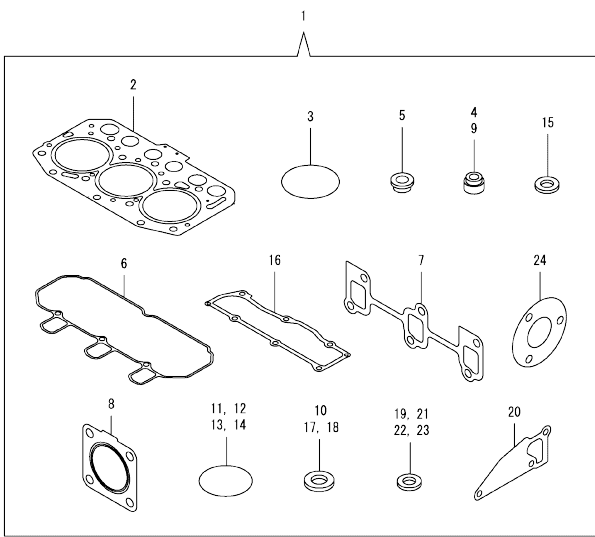
N:Old $\frac{New}{Old}$ New, Q:Old $\frac{New}{Old}$ New, R:Old $\frac{New}{Old}$ New, S:Old $\frac{New}{Old}$ New, W:Add, Z:Discontinued, F:Interchangeable by set, K:Q'ty Change
Copyright (C) 2016 YANMAR GLOBAL CS CO., LTD. All Rights Reserved.

Fig.16. ACCESSORY



No.	Lev.	Parts No.	Description	Q'ty						I	R	
				(A)	(B)	(C)	(D)	(E)	(F)			
1	1	119440-12530	AIR CLEANER ASSY	1								
2	2	119808-12540	VALVE, UNLOAD	1								
3	2	119258-12530	COVER ASSY	1								
4	2	119655-12560	ELEMENT	1								
5	2	119233-12700	ELEMENT, INNER	1								
6	1	119655-12560	ELEMENT	1								
7	1	119233-12700	ELEMENT, INNER	1								
8	1	119515-13200	GASKET, SILENCER	1								
9	1	119305-35151	FILTER ASSY, D68XL65	1								
10	1	129612-52100	PUMP, FUEL FEED	1								
11	1	119934-55611	BRACKET, FILTER	1								
12	1	129335-55701	SEPARATOR ASSY, WATER	1								
13	2	104200-55321	VALVE, TAPER	1								
14	2	104200-55330	SPRING, FUEL VALVE	1								
15	2	104200-55341	HANDLE, COCK	1								
16	2	124064-55510	CUP, FUEL STARINER	1								
17	2	102103-55520	O-RING	1								
18	2	110250-55610	RING, CUP RETAINING	1								
19	2	121257-55720	SPRING, FILTER	1								
20	2	121257-55731	FLOAT	1								
22	2	101720-55750	PLUG, HEXAGON M6	2								
23	2	104200-55750	SCREW, PAN M4	1								
24	2	171081-55910	FILTER, FUEL	1								
25	2	23418-060000	GASKET, 6X1.0	2								
26	2	24311-240100	O-RING, 1AP10A	1								
27	1	119802-55801	FILTER, FUEL	1								
28	1	119643-66900	DIODE	1								
29	1	119802-77200	RELAY, SAFETY	1								
30	1	119650-77911	RELAY ASSY, GLOW	1								
33	1	129155-77925	TIMER, SECTION 4	1								Z
(A=EH1251)												
34	1	129211-77920	TIMER	1								

Fig.17. GASKET SET



(A)=3TNV70-PFN
(B)=
(C)=

(D)=
(E)=
(F)=

No.	Lev.	Parts No.	Description	Q'ty						I	R	
				(A)	(B)	(C)	(D)	(E)	(F)			
1	1	719515-92650	GASKET SET	1							1	
2	2	119515-01331	GASKET, HEAD	1								
3	2	121850-51960	O-RING	1								
4	2	119717-11340	SEAL, VALVE STEM	3								
5	2	129901-11450	PROTECTOR, NOZZLE	3								
6	2	119515-11310	GASKET, BONNET	1								
7	2	119717-13110	GASKET, EXH MANIFOLD	1								
8	2	119515-13200	GASKET, SILENCER	2								
9	2	119717-11350	SEAL, VALVE STEM	3								
10	2	22190-080002	WASHER, SEAL 8	4								
11	2	24311-000320	O-RING, 1AP32.0	2								
12	2	119717-32060	O-RING, P15.0	1								
13	2	119624-32040	O-RING, P12.0	1								
14	2	119717-32050	O-RING, P17.0	3								
15	2	119600-11460	GASKET, NOZZLE	6								
16	2	119515-11330	GASKET	1								
17	2	22190-160002	WASHER, SEAL 16	1								
18	2	22190-120002	WASHER, SEAL 12	4								
19	2	129901-59560	GASKET	3								
20	2	119515-42020	GASKET, WATER PUMP	1								
21	2	23414-080000	GASKET, 8X1.0	1								
22	2	124465-44950	GASKET, 16	1								
23	2	129150-49360	GASKET	1								
24	2	103954-13201	GASKET, SILENCER	1								

Remarks

(1)Optional parts.

Parts No. Index

Parts No.	Fig. No.	Ref. No.
101304-59020	13	2
101720-55750	16	22
102103-55520	16	17
103854-39140	13	1
103954-13201	17	24
104200-55321	16	13
104200-55330	16	14
104200-55341	16	15
104200-55750	16	23
105010-11490	4	3
105311-01090	1	4
105425-01690	3	9
110250-55610	16	18
114250-39450	8	11
119131-18320	5	6
119233-12700	16	5
	7	
119258-12530	16	3
119285-01990	1	6
119285-11990	4	9
119305-35151	8	17
	16	9
119440-12530	16	1
119515-01200	1	26
119515-01331	1	27
	17	2
119515-01601	3	2
119515-01720	3	7
119515-01770	3	8
119515-11101	4	11
119515-11110	4	12
119515-11200	4	19
119515-11240	4	20
119515-11280	4	24
119515-11310	4	43
	17	6
119515-11320	4	44
119515-11330	4	45
	17	16
119515-11380	4	33
119515-11740	4	4
119515-11800	4	57
119515-13200	16	8
	17	8
119515-14400	6	2
119515-14581	6	3
119515-21700	7	1
119515-22080	7	14
119515-22300	7	20
119515-22500	7	16

Parts No.	Fig. No.	Ref. No.
119515-22550	7	33
119515-22900	7	31
119515-23000	7	22
119515-23601	7	26
119515-23611	7	29
119515-34801	8	1
119515-35080	8	6
119515-42020	9	13
	17	20
119515-42041	9	4
119515-53001	12	1
119515-53010	12	3
119515-59540	12	23
119515-59581	12	34
119515-61440	11	22
119515-77010	14	1
119540-21590	7	8
119546-59810	12	20
119546-59820	12	21
119546-59830	12	22
119600-11460	4	2
	17	15
119620-01750	3	3
119620-02020	1	7
119620-14200	6	1
119620-21500	7	7
119620-21941	7	13
119620-59700	12	35
119620-77380	15	3 -1
119620-77421	15	6 -1
119620-77440	15	11 -1
119620-77461	15	13
119620-77471	15	14
119620-77490	15	15
119620-79200	15	7
119620-79210	15	8
119620-79220	15	9
119620-79230	15	10
119620-79250	15	5
119620-79290	15	19
119620-79300	15	20
119620-79310	15	21
119620-79320	15	22
119620-79330	15	23
119620-79340	15	24
119620-79350	15	25
119620-79360	15	25 A
119621-21681	7	12
119623-01250	1	5
119624-32040	2	18

Parts No.	Fig. No.	Ref. No.
119624-32040	17	13
119624-77351	15	29
119626-77210	15	1
119626-77220	15	1 -1
119626-77450	15	12
119643-66900	16	28
119650-77911	16	30
119653-44740	9	19
119655-12560	16	4
		6
119660-01911	2	17
119660-61901	11	65
119717-01501	2	1
119717-01521	2	5
119717-01570	2	2
119717-01750	2	16
119717-01800	2	7
119717-02411	1	10
119717-02930	1	23
119717-03031	4	34
119717-03070	4	35
		36
119717-11131	4	13
119717-11190	4	15
119717-11260	4	23
119717-11340	4	16
	17	4
119717-11350	4	17
	17	9
119717-11650	4	25
119717-13110	5	2
	17	7
119717-13600	5	3
119717-21200	7	4
119717-21650	7	11
119717-23200	7	25
119717-23910	7	28
119717-25050	6	9
119717-25101	6	10
119717-25911	6	16
119717-25930	6	15
119717-32050	2	19
	17	14
119717-32060	8	5
	17	12
119717-32080	2	9
119717-32100	2	8
119717-32110	2	13
119717-32120	2	14
119717-35140	8	3

Parts No.	Fig. No.	Ref. No.
119717-39210	8	12
119717-42031	9	3
119717-42050	9	12 -1
119717-49800	9	23
119717-51150	6	17
119717-51420	10	67
119717-51711	10	92
119717-51750	10	93
119717-51761	10	94
119717-51860	10	96
119717-51930	11	2
119717-61050	11	3
119717-61060	11	4
119717-61070	11	5
119717-77801	4	53
119717-77820	4	54
119734-01590	2	3
119734-02220	3	4
119740-13100	5	1
119740-42350	9	17
119740-77310	15	28
119744-59560	12	29
119802-03100	4	37
119802-03110	4	38
119802-03121	4	39
119802-03131	4	40
119802-03141	4	41
119802-32130	2	15
119802-55801	16	27
119802-77200	16	29
119808-12540	16	2
119810-02941	1	34
119813-59950	12	36
119934-55611	16	11
119940-77270	15	27
119C10-42000	9	1
119C10-42001	9	1 -1
119C10-42320	9	9
121027-11743	4	49
121257-55720	16	19
121257-55731	16	20
121267-44760	9	20
121450-42450	9	26
121520-34810	8	2
121850-51960	2	20
	17	3
122710-51090	10	8
123501-79240	15	4
124060-01050	1	11
124064-55510	16	16

Parts No. Index

Parts No.	Fig. No.	Ref. No.
124066-59100	12	30
124160-01751	2	28
	4	32
124160-01910	1	12
124250-49351	9	28
124465-44950	9	27
	17	22
124950-21600	7	10
128401-77440	15	11
129001-32320	2	11
129001-32330	2	12
129005-59830	8	13
129052-77380	15	3
129052-77422	15	6
129052-79260	15	17
129052-79270	15	18
129100-01580	3	1
	7	2
129100-52200	10	112
129150-11230	4	26
129150-11750	4	28
129150-25301	6	14
129150-49360	9	29
	17	23
129150-59120	12	15
129150-59131	12	18
129155-51020	10	4
129155-51280	10	57
		58
	11	7
129155-51400	10	65
129155-51580	10	89
129155-51701	10	91
129155-52051	10	111
129155-61460	11	77
129155-77925	16	33
129211-77920	16	34
129240-79300	15	12 -1
129335-55701	16	12
129350-49530	9	22
129423-77210	15	1 -2
129423-77710	15	16
129423-77730	15	16 -1
129508-11180	4	14
129612-52100	16	10
129630-77900	11	121
129900-07900	4	55
129900-32130	2	10
129901-11450	4	1
	17	5

Parts No.	Fig. No.	Ref. No.
129901-53800	12	4
129901-59560	12	33
	17	19
129916-49740	9	10
129E00-13610	5	4
129E00-13630	5	5
158552-61700	11	60
158552-61900	11	78
158600-51270	10	56
158600-51410	10	66
158600-51420	10	68
158600-51570	10	88
158600-51790	10	95
171056-49120	9	25
171081-55910	16	24
22190-080002	8	14
		16
	17	10
22190-100002	11	80
22190-120002	12	42
	13	3
	17	18
22190-160002	3	11
	10	98
	17	17
22217-120000	10	99
22242-000120	4	29
22252-000220	7	21
22351-050010	10	100
22351-060012	4	18
22372-040000	11	82
22512-040120	7	5
22857-500100	4	46
		47
22857-500160	4	48
23414-080000	9	14
	17	21
23418-060000	16	25
23857-030000	8	15
23876-005000	4	10
23876-030000	2	6
24311-000320	2	29
	4	50
	17	11
24311-240100	16	26
25152-003500	9	18
26022-050122	10	104
26106-060102	8	10
	11	69
		83

Parts No.	Fig. No.	Ref. No.
26106-060122	2	21
	3	12
	6	8
26106-060142	11	84
26106-060162	2	22
26106-060202	4	51
	11	85
26106-060252	3	13
26106-060352	6	13
	9	21
26106-060402	2	23
		24
26106-060452	3	14
	11	86
26106-060602	2	25
26106-060652	2	26
26106-060752	4	52
26106-080122	9	15
26106-080162	4	56
26106-080202	9	24
	15	33
26106-080402	4	31
26106-080502	9	16
26106-080552	15	34
26106-081004	15	31
26106-100252	14	35
26106-100502	15	26
26206-100252	3	5
26206-100302	3	6
26306-080002	2	27
	5	7
	15	32
26366-080002	11	70
26577-060122	9	11
26716-120002	10	106
26756-060002	11	87
26979-050162	4	30
27241-120000	1	13
27241-250000	9	12
719515-01560	1	1
719515-92650	17	1
719540-51500	10	1
719717-02901	1	28
719717-02911	1	31
719734-01500	2	4
X0280210331	14	23
X0280626010	14	12
X0280996180	14	3
X0281007680	14	2
X0282005871	14	6

Parts No.	Fig. No.	Ref. No.
X0283006960	14	7
X0284105040	14	13
X0284525010	14	27
X0285007030	14	10
X0285105190	14	4
X0285205030	14	5
X0286105010	14	15
X0286305010	14	17
X0286355010	14	18
X0287405140	14	19
X1280330020	14	33
X1289510130	14	34
X2534000090	14	20
X4284001590	14	8
X9055715000	14	21
X9490065670	14	32
X9490138090	14	25
X9490138100	14	26
X9490138110	14	24
X9490423520	14	30
X9490560750	14	29
X9490561001	15	2
X9490562360	14	28
X9490721360	14	22
X9491034320	14	16
X9491034330	14	14
X9491040990	14	11
X9491050100	14	9