

0CD11-M18100EN

P R E F A C E

1. This parts catalog is the 1st edition of 3TNV70-PTB1, 3TNV70-PTB1R for Takeuchi.

Pub. No. : 0CD11-G18100

Published : January, 2013

2. Model name

Engine model	Vehicle	Vehicle made by
3TNV70-PTB1 3TNV70-PTB1R	EXCAVATOR	Takeuchi

Directions for the Parts Catalog.

1. This Parts Catalog shows both standard and optional parts.
2. Parts may change without prior notice.
3. The following is an example of the Parts Catalog format.

REF.	LEV.	PARTS NO.	DESCRIPTION	Q'TY						I	R
				(A)	(B)	(C)	(D)	(E)	(F)		
1	1	729595-51390	FUEL INJECTION PUMP	1	1	1	1	1			1
1-1	1	729595-51391	FUEL INJECTION PUMP	1	1	1	1	1		N	1
		(A=E00185) (B=E00200)									
3	2	26022-060162	SCREW M 6X 16	9	9	9	9	9			
3-1	2	26022-060162	SCREW M 6X 16	4	4	4	4	4		K	
		(A=E00156) (B=E00156) (C=E00156) (D=E00156) (E=E00156)									
4	2	129470-51040	CAMSHAFT	1	1	1	1	1			
5	2	122710-51050	BEARING, ROLLER	2	2	2	2	2			
6	2	129470-51060	RETAINER	1	1	1	1	1			

Remarks
(1) BOOST COMPEMSATOR TYPE. OPTIONAL PART, TO E00155,(4JH-DT, 4JH-DTZ

① Ref. No.

The Ref. No. listed may not be in accordance with the illustration Ref. No.

(Ex.) Illustration No.

List Ref No.

1 1 (Before change) → 1-1 (After change)

For interchangeable symbols N, R and K, illustrations for new parts may be abbreviated.

② Lev. (Level)

Level indication

The numbers below indicate the level of relativity towards the main part.

1 ---- Main parts (Assembly parts)

2 ---- Sub component included in " 1 ".

3 ---- Sub component included in " 2 ".

Note) Parts that are not for sale are partially illustrated but not listed.

③ Interchangeability Symbol

When a part change takes place, one of the following interchangeability symbols is indicated beside the part.

Symbol	Interchangeability	Contents note
N	Old $\begin{matrix} \leftarrow \text{Yes} \\ \text{No} \rightarrow \end{matrix}$ New	New Part is interchangeable for Old Part but Old Part is not interchangeable for New Part.
Q	Old $\begin{matrix} \leftarrow \text{No} \\ \text{Yes} \rightarrow \end{matrix}$ New	New Part is not interchangeable for Old Part but Old Part is interchangeable for New Part.
R	Old $\begin{matrix} \leftarrow \text{Yes} \\ \text{Yes} \rightarrow \end{matrix}$ New	New/ Old Parts are both interchangeable.
S	Old $\begin{matrix} \leftarrow \text{No} \\ \text{No} \rightarrow \end{matrix}$ New	New/ Old Parts are both not interchangeable.
W		Part newly added.
Z		Part discontinued.
F		Not interchangeable by a single part but interchangeable together with related parts.
K		Changes only for used parts quantities.

④ Effective Machine No.

When a part changes, the effective Machine No. will be indicated in the (A)-(F) column.

Product Symbol	Product No.	Product Symbol	Product No.
C	Clutch No. Compressor No.	F	Machine No. (Agricultural Equip.)
D	Drive No.	M	Machine No.
E	Engine No.		

Note 1) A date may follow the symbol. (Ex.) 1996.01

Note 2) "XXXXX" and "ZZZZZ" are for parts that could not be predicted or for engine models that could not be identified.

Note 3) (A=E00185) is the E (Engine Serial Number) for the column (A) model (in this case 4JH-DT) after the parts design change.

⑤ Remarks

Figures or alphabets (symbols) are entered in the remarks column.

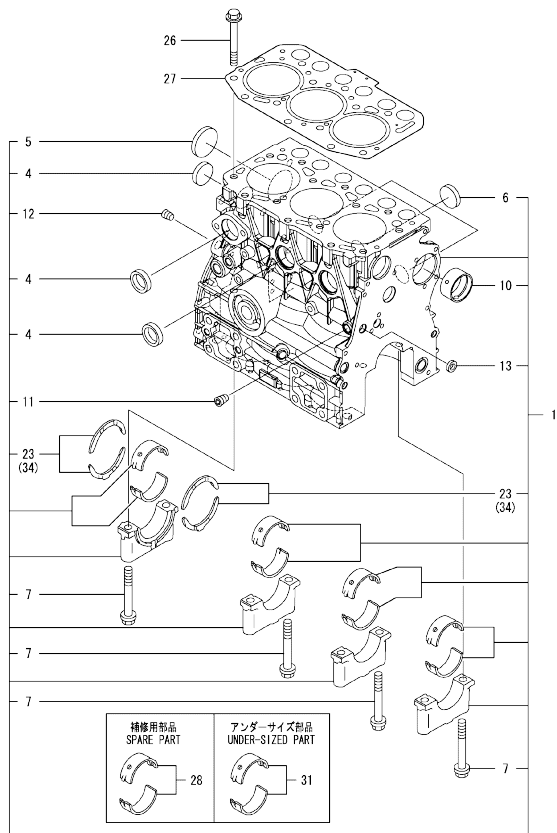
The comments (remarks) on parts that are indicated at the bottom of the illustration are the same symbols as those stated above.

Contents

OCD11-M18100

Fig. No.	Fig. Name	Fig. No.	Fig. Name
3TNV70-PTB1R,3TNV70-PTB1			
1.	CYLINDER BLOCK		
2.	GEAR HOUSING		
3.	FLYWHEEL HOUSING & OIL SUMP		
4.	CYLINDER HEAD & BONNET		
5.	CYLINDER HEAD & BONNET		
6.	AIR CLEANER		
7.	AIR CLEANER		
8.	EXHAUST MANIFOLD & SILENCER		
9.	CAMSHAFT & DRIVING GEAR		
10.	CRANKSHAFT & PISTON		
11.	LUB. OIL SYSTEM		
12.	COOLING WATER SYSTEM		
13.	COOLING WATER SYSTEM		
14.	FUEL INJECTION PUMP		
15.	GOVERNOR		
16.	FUEL INJECTION VALVE		
17.	FUEL FILTER		
18.	STARTING MOTOR		
19.	GENERATOR		
20.	GASKET SET		
21.	GASKET SET		

Fig.1. CYLINDER BLOCK



(A)=3TNV70-PTB1R
(B)=3TNV70-PTB1
(C)=

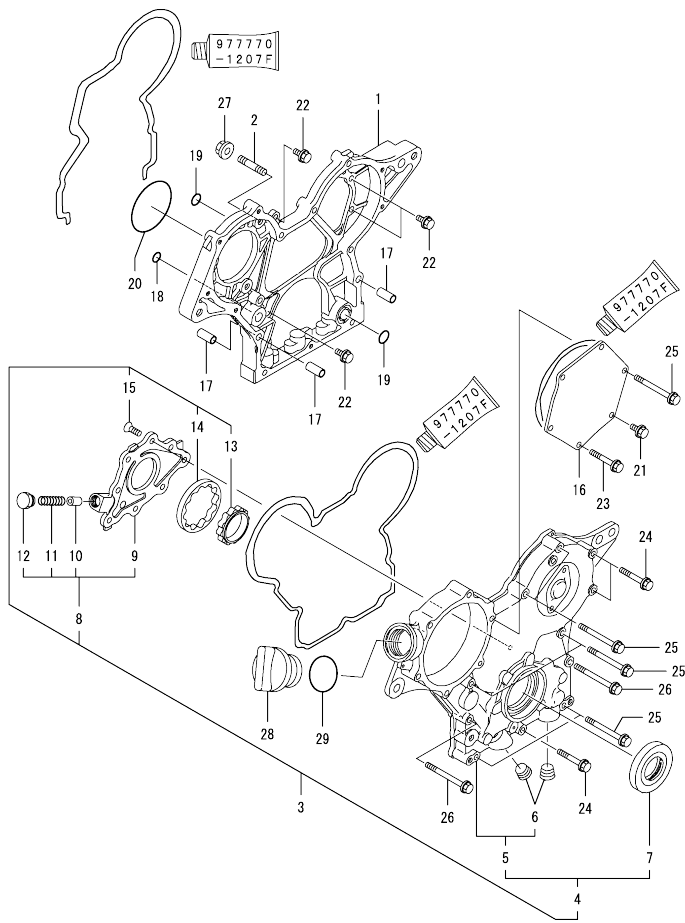
(D)=
(E)=
(F)=

No.	Lev.	Parts No.	Description	Q'ty						I	R
				(A)	(B)	(C)	(D)	(E)	(F)		
1	1	719515-01560	BLOCK ASSY, CYLINDER	1	1						
4	2	105311-01090	PLUG, 30	4	4						
5	2	119623-01250	PLUG, 45	1	1						
6	2	119285-01990	PLUG, 25	3	3						
7	2	119620-02020	BOLT, METAL CAP	8	8						
10	2	119717-02411	BUSH, CAMSHAFT	1	1						
11	2	124060-01050	PLUG, PT1/8	1	1						
12	2	124160-01910	PLUG, PT1/4	1	1						
13	2	27241-120000	PLUG, 12	1	1						
23	2	119717-02930	BEARING, THRUST	2	2						
26	1	119515-01200	BOLT, HEAD	14	14						
27	1	119515-01331	GASKET, HEAD	1	1						
28	1	719717-02901	BEARING, MAIN	4	4						1
31	1	719717-02911	BEARING, 0.25 US	4	4						2
34	1	119810-02941	BEARING, THRUST 0.25	2	2						3

Remarks

- (1)Spare parts.
- (2)Under-sized(U.S.=0.25)part.
- (3)Over-sized(O.S.=0.25)part.

Fig.2. GEAR HOUSING

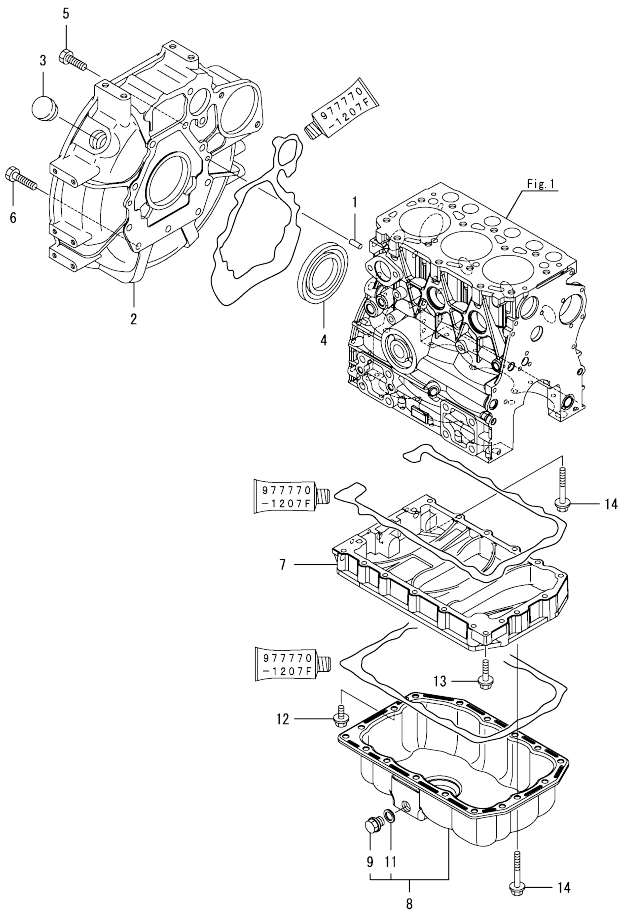


(A)=3TNV70-PTB1R
(B)=3TNV70-PTB1
(C)=

(D)=
(E)=
(F)=

No.	Lev.	Parts No.	Description	Qty						I	R
				(A)	(B)	(C)	(D)	(E)	(F)		
1	1	119717-01501	CASE, GEAR	1	1						
2	1	119717-01570	STUD	3	3						
3	1	119734-01590	COVER ASSY,GEAR CASE	1	1						
4	2	719734-01500	COVER ASSY,GEAR CASE	1	1						
5	3	119717-01521	COVER, GEAR CASE	1	1						
6	4	23876-030000	PLUG, R03	2	2						
7	3	119717-01800	SEAL, OIL	1	1						
8	2	119717-32100	COVER ASSY	1	1						
9	3	119717-32080	COVER	1	1						
10	3	129900-32130	VALVE, RELIEF	1	1						
11	3	129001-32320	SPRING	1	1						
12	3	129001-32330	PLUG	1	1						
13	2	119717-32110	ROTOR, INNER	1	1						
14	2	119717-32120	ROTOR, OUTER	1	1						
15	2	119802-32130	SCREW, M6X16	8	8						
16	1	119717-01750	COVER	1	1						
17	1	119660-01911	PIPE, KNOCK	4	4						
18	1	119624-32040	O-RING, P12.0	1	1						
19	1	119717-32050	O-RING, P17.0	3	3						
20	1	121850-51960	O-RING	1	1						
21	1	26106-060122	BOLT, M6X 12 PLATED	1	1						
22	1	26106-060162	BOLT, M6X 16 PLATED	4	4						
23	1	26106-060402	BOLT, M6X 40 PLATED	4	4						
24	1	26106-060402	BOLT, M6X 40 PLATED	3	3						
25	1	26106-060602	BOLT, M6X 60 PLATED	7	7						
26	1	26106-060652	BOLT, M6X 65 PLATED	2	2						
27	1	26306-080002	NUT, M8	3	3						
28	1	124160-01751	COVER, FILLER	1	1						
29	1	24311-000320	O-RING, 1AP32.0	1	1						

Fig.3. FLYWHEEL HOUSING & OIL SUMP

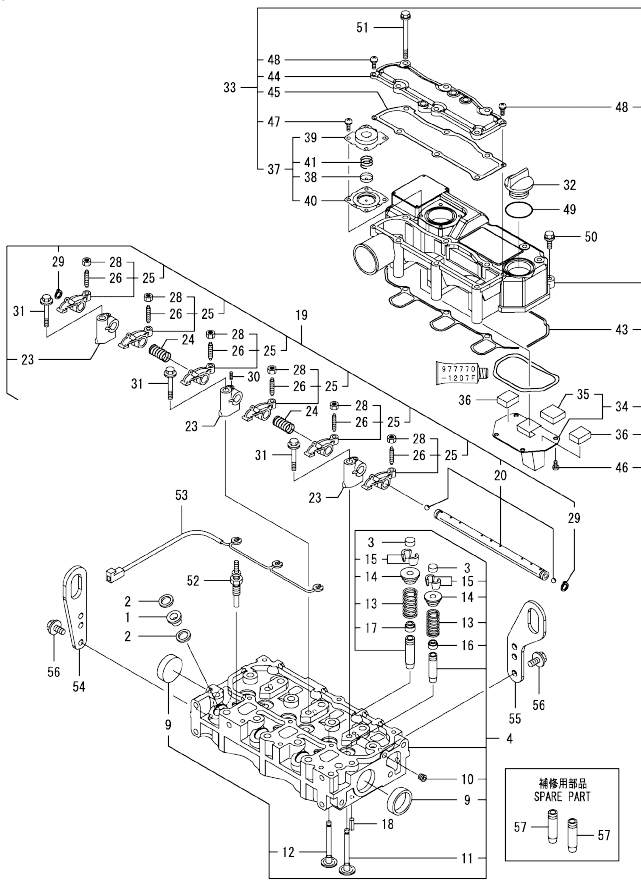


(A)=3TNV70-PTB1R
(B)=3TNV70-PTB1
(C)=

(D)=
(E)=
(F)=

No.	Lev.	Parts No.	Description	Q'ty					
				(A)	(B)	(C)	(D)	(E)	(F)
1	1	129100-01580	PIN, M8X16	2	2				
2	1	119717-01601	HOUSING, FLYWHEEL	1	1				
3	1	119620-01750	CAP	1	1				
4	1	124085-02220	SEAL, OIL	1	1				
5	1	26206-100252	BOLT, M10X 25 PLATED	8	8				
6	1	26206-100302	BOLT, M10X 30 PLATED	3	3				
7	1	119515-01720	SPACER, OIL SUMP	1	1				
8	1	119515-01770	SUMP ASSY, OIL	1	1				
9	2	105425-01690	PLUG, 16	1	1				
11	2	22190-160002	WASHER, SEAL 16	1	1				
12	1	26106-060122	BOLT, M6X 12 PLATED	1	1				
13	1	26106-060252	BOLT, M6X 25 PLATED	1	1				
14	1	26106-060452	BOLT, M6X 45 PLATED	17	17				

Fig.4. CYLINDER HEAD & BONNET



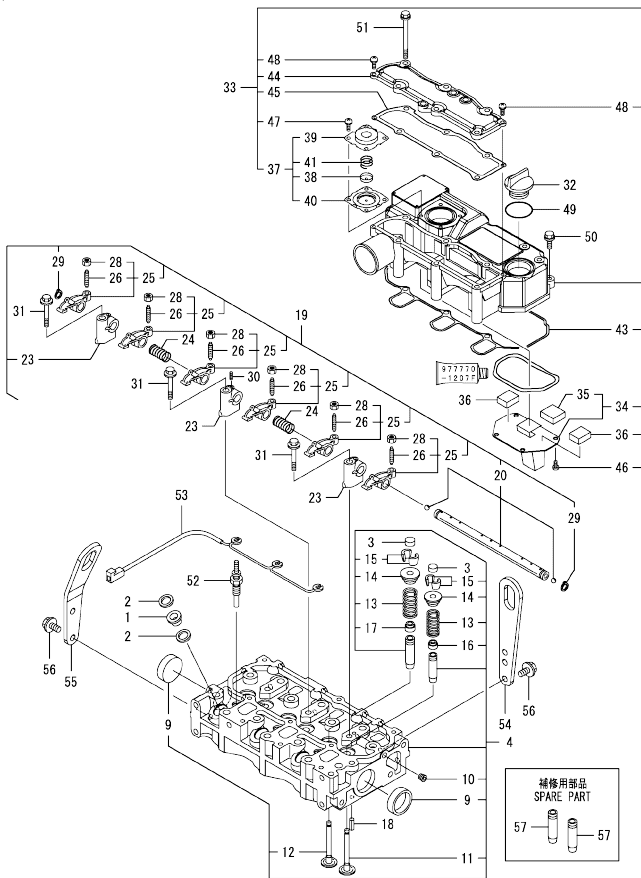
Remarks
(1)Spare parts.

(A)=3TNV70-PTB1R
(B)=3TNV70-PTB1
(C)=

(D)=
(E)=
(F)=

No.	Lev.	Parts No.	Description	Q'ty						I	R
				(A)	(B)	(C)	(D)	(E)	(F)		
1	1	129901-11450	PROTECTOR, NOZZLE	3							
2	1	119600-11460	GASKET, NOZZLE	6							
3	1	105010-11490	CAP, VALVE	6							
4	1	119515-11740	HEAD ASSY, CYLINDER	1							
9	2	119285-11990	PLUG, 35	2							
10	2	23876-005000	PLUG, R005	1							
11	2	119515-11101	VALVE, INTAKE	3							
12	2	119515-11110	VALVE, EXHAUST	3							
13	2	119717-11131	SPRING, VALVE	6							
14	2	129508-11180	RETAINER, SPRING	6							
15	2	119717-11190	COTTER	12							
16	2	119717-11340	SEAL, VALVE STEM	3							
17	2	119717-11350	SEAL, VALVE STEM	3							
18	1	22351-060012	PIN, SPRING 6.0X12	2							
19	1	119515-11200	SUPPORT ASSY, ARM	1							
20	2	119515-11240	SHAFT ASSY, ROCKER	1							
23	2	119717-11260	SUPPORT, ROCKER ARM	3							
24	2	119515-11280	SPRING	2							
25	2	119717-11650	ARM, ROCKER	6							
26	3	129150-11230	SCREW, VALVE ADJUST	6							
28	3	129150-11750	NUT, M8	6							
29	2	22242-000120	RING, 12	2							
30	2	26979-050162	SCREW, M5X16	1							
31	1	26106-080402	BOLT, M8X 40 PLATED	3							
32	1	124160-01751	COVER, FILLER	1							
33	1	119515-11380	BONNET ASSY, HEAD	1							
34	2	119717-03031	PLATE	1							
35	3	119717-03070	BAFFLE, BREATHER	1							
36	2	119717-03070	BAFFLE, BREATHER	2							
37	2	119802-03100	DIAPHRAGM ASSY	1							
38	3	119802-03110	PLATE	1							
39	3	119802-03121	COVER, DIAPHRAGM	1							
40	3	119802-03131	DIAPHRAGM	1							
41	3	119802-03141	SPRING, DIAPHRAGM	1							
43	2	119515-11310	GASKET, BONNET	1							
44	2	119515-11320	COVER, BONNET	1							
45	2	119515-11330	GASKET	1							
46	2	22857-500100	SCREW, 5X10	4							
47	2	22857-500100	SCREW, 5X10	4							
48	2	22857-500160	SCREW, 5X16	2							
49	1	24311-000320	O-RING, 1AP32.0	1							
50	1	26106-060202	BOLT, M6X 20 PLATED	3							
51	1	26106-060752	BOLT, M6X 75 PLATED	6							
52	1	119717-77801	PLUG, GLOW	3							
53	1	119717-77820	CONNECTOR, GLOW PLUG	1							
54	1	119226-07900	LIFTER	1							
55	1	129486-07901	LIFTER	1							
56	1	26106-080142	BOLT, M8X 14 PLATED	4							
57	1	119515-11800	GUIDE, VALVE	6							

Fig.5. CYLINDER HEAD & BONNET



Remarks
(1)Spare parts.

(A)=3TNV70-PTB1R
(B)=3TNV70-PTB1
(C)=

(D)=
(E)=
(F)=

No.	Lev.	Parts No.	Description	Q'ty						I	R
				(A)	(B)	(C)	(D)	(E)	(F)		
1	1	129901-11450	PROTECTOR, NOZZLE		3						
2	1	119600-11460	GASKET, NOZZLE		6						
3	1	105010-11490	CAP, VALVE		6						
4	1	119515-11740	HEAD ASSY, CYLINDER		1						
9	2	119285-11990	PLUG, 35		2						
10	2	23876-005000	PLUG, R005		1						
11	2	119515-11101	VALVE, INTAKE		3						
12	2	119515-11110	VALVE, EXHAUST		3						
13	2	119717-11131	SPRING, VALVE		6						
14	2	129508-11180	RETAINER, SPRING		6						
15	2	119717-11190	COTTER		12						
16	2	119717-11340	SEAL, VALVE STEM		3						
17	2	119717-11350	SEAL, VALVE STEM		3						
18	1	22351-060012	PIN, SPRING 6.0X12		2						
19	1	119515-11200	SUPPORT ASSY, ARM		1						
20	2	119515-11240	SHAFT ASSY, ROCKER		1						
23	2	119717-11260	SUPPORT, ROCKER ARM		3						
24	2	119515-11280	SPRING		2						
25	2	119717-11650	ARM, ROCKER		6						
26	3	129150-11230	SCREW, VALVE ADJUST		6						
28	3	129150-11750	NUT, M8		6						
29	2	22242-000120	RING, 12		2						
30	2	26979-050162	SCREW, M5X16		1						
31	1	26106-080402	BOLT, M8X 40 PLATED		3						
32	1	124160-01751	COVER, FILLER		1						
33	1	119515-11380	BONNET ASSY, HEAD		1						
34	2	119717-03031	PLATE		1						
35	3	119717-03070	BAFFLE, BREATHER		1						
36	2	119717-03070	BAFFLE, BREATHER		2						
37	2	119802-03100	DIAPHRAGM ASSY		1						
38	3	119802-03110	PLATE		1						
39	3	119802-03121	COVER, DIAPHRAGM		1						
40	3	119802-03131	DIAPHRAGM		1						
41	3	119802-03141	SPRING, DIAPHRAGM		1						
43	2	119515-11310	GASKET, BONNET		1						
44	2	119515-11320	COVER, BONNET		1						
45	2	119515-11330	GASKET		1						
46	2	22857-500100	SCREW, 5X10		4						
47	2	22857-500100	SCREW, 5X10		4						
48	2	22857-500160	SCREW, 5X16		2						
49	1	24311-000320	O-RING, 1AP32.0		1						
50	1	26106-060202	BOLT, M6X 20 PLATED		3						
51	1	26106-060752	BOLT, M6X 75 PLATED		6						
52	1	119717-77801	PLUG, GLOW		3						
53	1	119717-77820	CONNECTOR, GLOW PLUG		1						
54	1	129900-07900	LIFTER		1						
55	1	119540-07920	LIFTER		1						
56	1	26106-080162	BOLT, M8X 16 PLATED		4						
57	1	119515-11800	GUIDE, VALVE		6						

Fig.6. AIR CLEANER

(A)=3TNV70-PTB1R
(B)=3TNV70-PTB1
(C)=

(D)=
(E)=
(F)=

No.	Lev.	Parts No.	Description	Q'ty						I	R
				(A)	(B)	(C)	(D)	(E)	(F)		
1	1	119540-12500	CLEANER ASSY, AIR	1							
1-1	1	119540-12580 (A=ED2569)	CLEANER ASSY, AIR	1							N
2	2	119808-12540	VALVE, UNLOAD	1							
3	2	119655-12560	ELEMENT	1							
4	2	119336-12570	COVER ASSY	1							
4-1	2	119655-12570 (A=ED2569)	COVER ASSY, CLEANER	1							N
5	2	105027-12580	RING, VALVE	1							
6	2	121820-12590	NIPPLE	1							
7	1	119540-12540	ELBOW	1							
8	1	119540-12550	FLANGE	1							
9	1	119540-12560	ADAPTER	1							
10	1	126650-12680	INDICATOR	1							

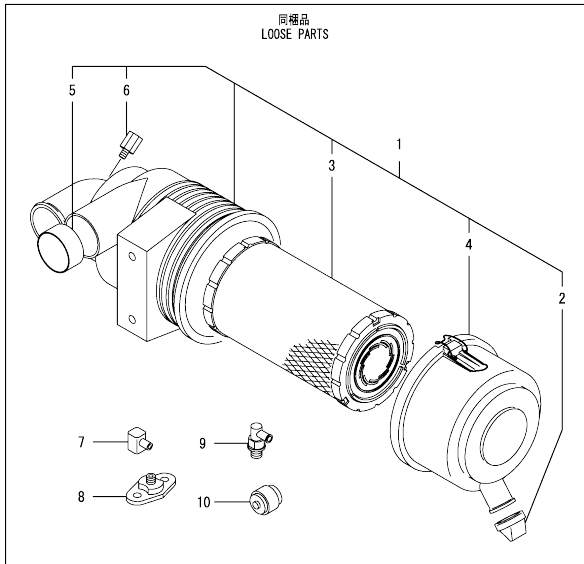
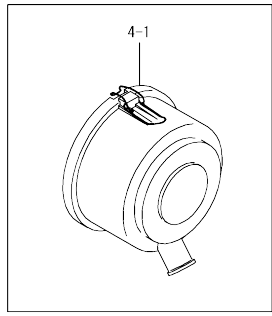
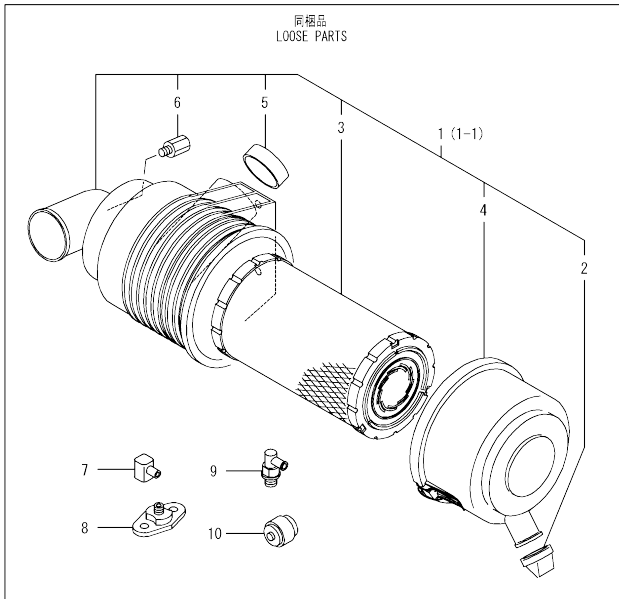


Fig.7. AIR CLEANER

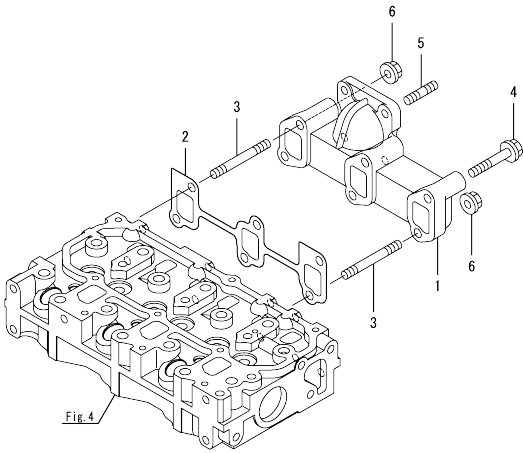
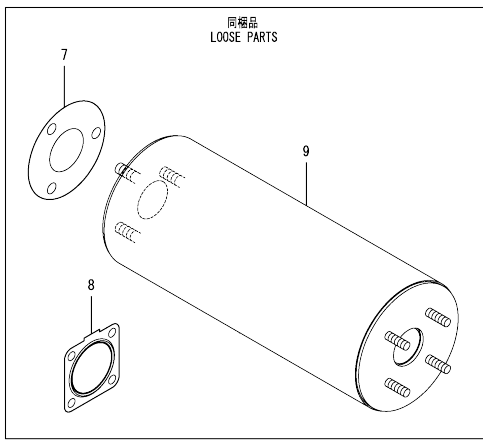


(A)=3TNV70-PTB1R
(B)=3TNV70-PTB1
(C)=

(D)=
(E)=
(F)=

No.	Lev.	Parts No.	Description	Q'ty						I	R	
				(A)	(B)	(C)	(D)	(E)	(F)			
1	1	119540-12530	CLEANER ASSY, AIR		1							
1-1	1	119540-12570 (B=EA4038)	AIR CLEANER ASSY		1						N	
2	2	119808-12540	VALVE, UNLOADER		1							
3	2	119655-12560	ELEMENT		1							
4	2	119686-12570	COVER ASSY		1							
4-1	2	119336-12570 (B=EA4038)	COVER ASSY		1						N	
5	2	105027-12580	RING		1							
6	2	121820-12590	NIPPLE		1							
7	1	119540-12540	ELBOW		1							
8	1	119540-12550	FLANGE		1							
9	1	119540-12560	ADAPTER		1							
10	1	126650-12680	INDICATOR		1							

Fig.8. EXHAUST MANIFOLD & SILENCER

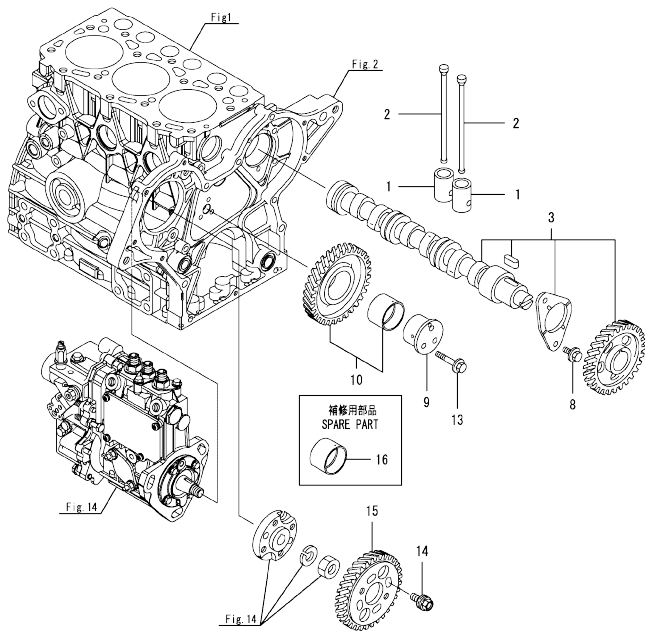


(A)=3TNV70-PTB1R
(B)=3TNV70-PTB1
(C)=

(D)=
(E)=
(F)=

No.	Lev.	Parts No.	Description	Q'ty					
				(A)	(B)	(C)	(D)	(E)	(F)
1	1	119718-13100	MANIFOLD, EXHAUST	1	1				
2	1	119717-13110	GASKET	1	1				
3	1	119717-13600	STUD, M8X50	2	2				
4	1	119802-13620	BOLT, M8X50	4	4				
5	1	119131-18320	STUD, M8X22	4	4				
6	1	26306-080002	NUT, M8	2	2				
7	1	103954-13201	GASKET, SILENCER	1	1				
8	1	119515-13200	GASKET, SILENCER	2	2				
9	1	119515-13550	SILENCER	1	1				

Fig.9. CAMSHAFT & DRIVING GEAR



(A)=3TNV70-PTB1R
(B)=3TNV70-PTB1
(C)=

(D)=
(E)=
(F)=

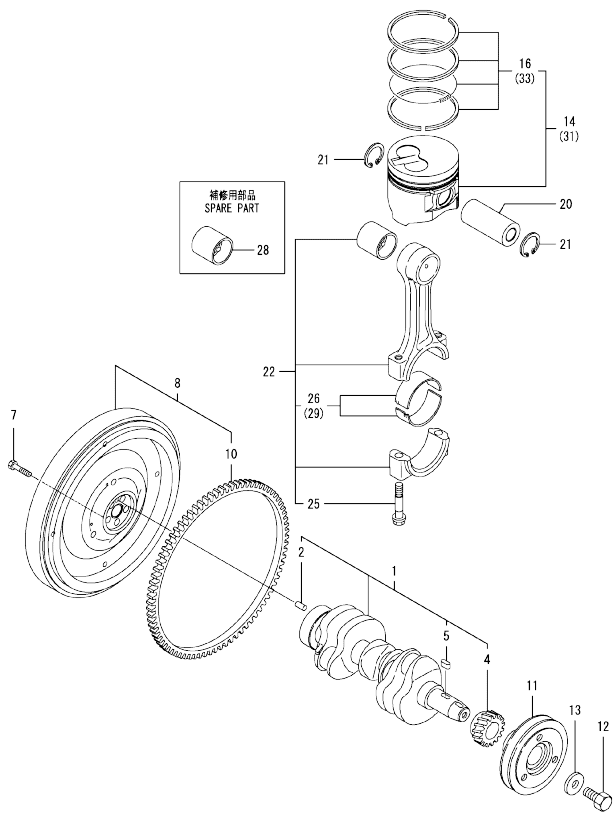
No.	Lev.	Parts No.	Description	Q'ty						
				(A)	(B)	(C)	(D)	(E)	(F)	
1	1	119620-14200	TAPPET	6	6					
2	1	119515-14400	ROD, PUSH	6	6					
3	1	119515-14581	CAMSHAFT ASSY	1	1					
8	1	26106-060122	BOLT, M6X 12 PLATED	2	2					
9	1	119717-25050	SHAFT, IDLE	1	1					
10	1	119717-25101	GEAR ASSY, IDLE	1	1					
13	1	26106-060352	BOLT, M6X 35 PLATED	3	3					
14	1	129150-25301	BOLT	4	4					
15	1	119717-25930	GEAR, PUMP	1	1					
16	1	119717-25911	BUSH, IDLE GEAR	1	1					1

Remarks

(1)Spare parts.

OCD11-M18100 3TNV70-PTB1R,3TNV70-PTB1
 Fig.10. CRANKSHAFT & PISTON

OCD11-M18100 Fig.10



(A)=3TNV70-PTB1R
 (B)=3TNV70-PTB1
 (C)=

(D)=
 (E)=
 (F)=

No.	Lev.	Parts No.	Description	Q'ty						I	R
				(A)	(B)	(C)	(D)	(E)	(F)		
1	1	119515-21700	CRANKSHAFT ASSY	1	1						
2	2	129100-01580	PIN, M8X16	1	1						
4	2	119717-21200	GEAR, CRANKSHAFT	1	1						
5	2	22512-040120	KEY, 4X 12	1	1						
7	1	119620-21500	BOLT, FLYWHEEL	5	5						
8	1	119740-21590	FLYWHEEL ASSY	1	1						
10	2	119865-21600	GEAR, RING	1	1						
11	1	119717-21650	V-PULLEY	1	1						
12	1	119621-21681	BOLT, FLANGE 12X1.25	1	1						
13	1	119620-21941	WASHER	1	1						
14	1	119515-22080	PISTON ASSY	3	3						
16	2	119515-22500	RING SET, PISTON	3	3						
20	1	119515-22300	PIN, PISTON	3	3						
21	1	22252-000220	RING, 22	6	6						
22	1	119515-23000	ROD ASSY, CONNECTING	3	3						
25	2	119717-23200	BOLT, CONNECTING ROD	6	6						
26	2	119515-23601	BEARING, CRANK PIN	3	3						
28	1	119717-23910	BEARING, PISTON PIN	3	3						1
29	1	119515-23611	METAL ASSY, 0.25	3	3						2
31	1	119515-22900	PISTON ASSY, 0.25 OS	3	3						3
33	2	119515-22550	RING SET, 0.25 OS	3	3						3

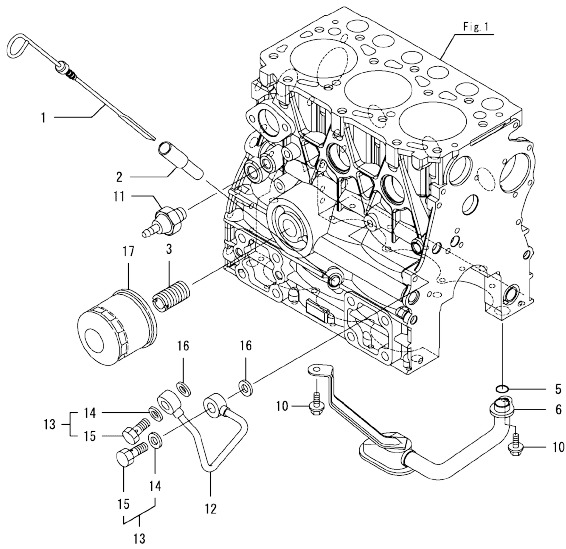
Remarks
 (1)Spare parts.
 (2)Under-sized(U.S.=0.25)part.
 (3)Over-sized(O.S.=0.25)part.

Fig.11. LUB. OIL SYSTEM

(A)=3TNV70-PTB1R
(B)=3TNV70-PTB1
(C)=

(D)=
(E)=
(F)=

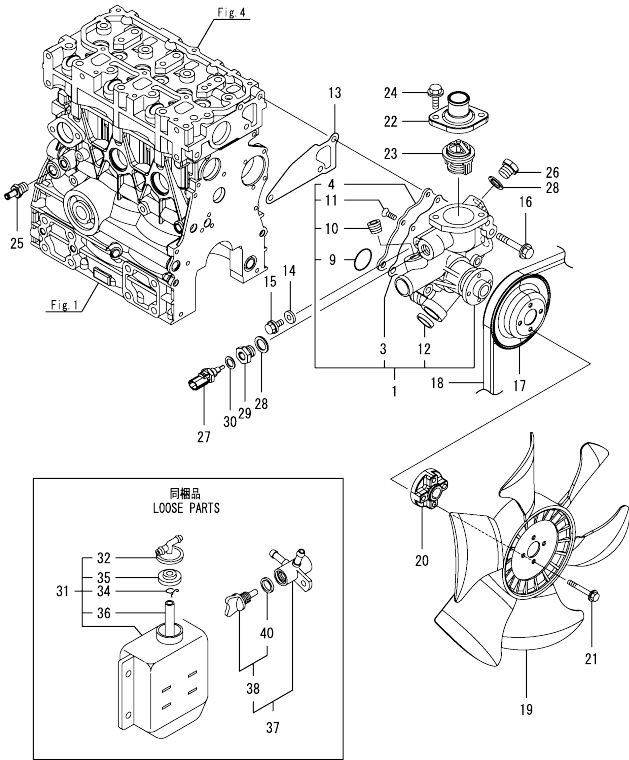
No.	Lev.	Parts No.	Description	Q'ty						I	R
				(A)	(B)	(C)	(D)	(E)	(F)		
1	1	119515-34801	DIPSTICK, OIL	1	1						
2	1	121520-34810	GUIDE, DIPSTICK	1	1						
3	1	119717-35140	BOLT	1	1						
5	1	119717-32060	O-RING, P15.0	1	1						
6	1	119515-35080	PIPE ASSY, OIL INLET	1	1						
10	1	26106-060102	BOLT, M6X 10 PLATED	2	2						
11	1	114250-39450	SWITCH, 0.5KG	1	1						
12	1	119717-39210	PIPE, OIL	1	1						
13	1	129005-59830	BOLT ASSY, JOINT M8	2	2						
14	2	22190-080002	WASHER, SEAL 6	2	2						
15	2	23857-030000	BOLT, JOINT 3	2	2						
16	1	22190-080002	WASHER, SEAL 6	2	2						
17	1	119305-35151	FILTER ASSY, D68XL65	1	1						1



Remarks

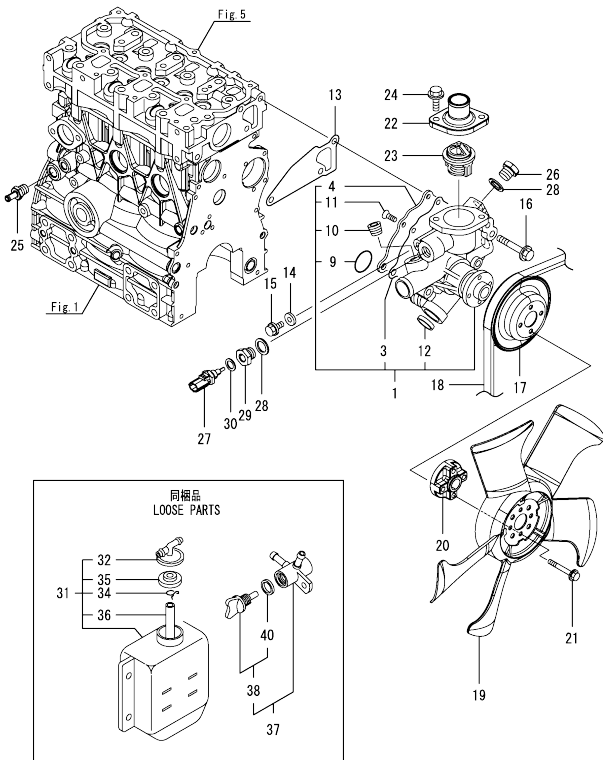
(1)Spare parts.

Fig.12. COOLING WATER SYSTEM



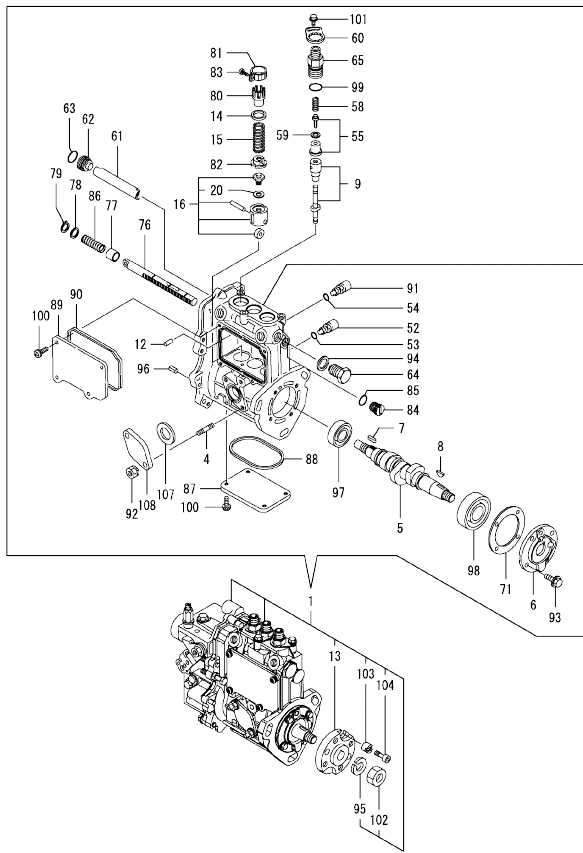
No.	Lev.	Parts No.	Description	Qty						I	R
				(A)	(B)	(C)	(D)	(E)	(F)		
1	1	119C10-42000	PUMP ASSY, WATER	1							
1-1	1	119C10-42001 (A=EK7870)	PUMP ASSY, CW	1							N
3	2	119717-42031	GASKET	1							
4	2	119515-42041	COVER	1							
9	2	119C10-42320	O-RING, 2028	1							
10	2	129916-49740	PLUG, R3/8	1							
11	2	26577-060122	SCREW, M6X12	4							
12	2	27241-250000	PLUG, 25	1							
12-1	2	119717-42050 (A=EK7870)	PLUG, 25	1							N
13	1	119515-42020	GASKET, WATER PUMP	1							
14	1	23414-080000	GASKET, 8X1.0	1							
15	1	26106-080122	BOLT, M8X 12 PLATED	1							
16	1	26106-080502	BOLT, M8X 50 PLATED	3							
17	1	119515-42350	V-PULLEY, D=110	1							
18	1	25152-003500	V-BELT, A35	1							
19	1	171340-44740	FAN, COOLING D335XNF	1							
20	1	121267-44760	SPACER, FAN	1							
21	1	26106-060302	BOLT, M6X 30 PLATED	4							
22	1	129350-49530	COVER, THERMOSTAT	1							
23	1	119718-49800	THERMOSTAT, 82	1							
24	1	26106-080202	BOLT, M8X 20 PLATED	2							
25	1	121550-49111	JOINT, PT1/4	1							
26	1	121450-42450	PLUG, M16	1							
27	1	129927-44900	SENSOR, WATER TEMP.	1							
28	1	124465-44950	GASKET, 16	2							
29	1	129974-49350	JOINT	1							
30	1	22190-120002	WASHER, SEAL 12	1							
31	1	121468-44520	TANK ASSY, SUB	1							
32	2	121450-44531	CAP	1							
34	2	124450-44560	CLAMP, HOSE	1							
35	2	121470-44581	GASKET	1							
36	2	23065-070130	PIPE, 7X 130	1							
37	1	129150-49100	COCK ASSY, 3-WAY	1							
38	2	129150-49080	COCK, DRAIN	1							
40	3	119629-49080	GASKET	1							

Fig.13. COOLING WATER SYSTEM



No.	Lev.	Parts No.	Description	Q'ty						I	R
				(A)	(B)	(C)	(D)	(E)	(F)		
1	1	119C10-42000	PUMP ASSY, WATER		1						
1-1	1	119C10-42001	PUMP ASSY, CW (B=EJ1495)		1						N
3	2	119717-42031	GASKET		1						
4	2	119515-42041	COVER		1						
9	2	119C10-42320	O-RING, 2028		1						
10	2	129916-49740	PLUG, R3/8		1						
11	2	26577-060122	SCREW, M6X12		4						
12	2	27241-250000	PLUG, 25		1						
12-1	2	119717-42050	PLUG, 25 (B=EJ1495)		1						N
13	1	119515-42020	GASKET, WATER PUMP		1						
14	1	23414-080000	GASKET, 8X1.0		1						
15	1	26106-080122	BOLT, M8X 12 PLATED		1						
16	1	26106-080502	BOLT, M8X 50 PLATED		3						
17	1	119515-42350	V-PULLEY, D=110		1						
18	1	25152-003500	V-BELT, A35		1						
19	1	129335-44740	FAN, COOLING D335		1						
20	1	121267-44760	SPACER, FAN		1						
21	1	26106-060302	BOLT, M6X 30 PLATED		4						
22	1	129350-49530	COVER, THERMOSTAT		1						
23	1	119718-49800	THERMOSTAT, 82		1						
24	1	26106-080202	BOLT, M8X 20 PLATED		2						
25	1	121550-49111	JOINT, PT1/4		1						
26	1	121450-42450	PLUG, M16		1						
27	1	129927-44900	SENSOR, WATER TEMP.		1						
28	1	124465-44950	GASKET, 16		2						
29	1	129974-49350	JOINT		1						
30	1	22190-120002	WASHER, SEAL 12		1						
31	1	121468-44520	TANK ASSY, SUB		1						
32	2	121450-44531	CAP		1						
34	2	124450-44560	CLAMP, HOSE		1						
35	2	121470-44581	GASKET		1						
36	2	23065-070130	PIPE, 7X 130		1						
37	1	129150-49100	COCK ASSY, 3-WAY		1						
38	2	129150-49080	COCK, DRAIN		1						
40	3	119629-49080	GASKET		1						

Fig.14. FUEL INJECTION PUMP



Remarks
 (1)Governor(Fig.15)is incorporated in this Fuel Injection Pump (Ref.1).

(A)=3TNV70-PTB1R
 (B)=3TNV70-PTB1
 (C)=

(D)=
 (E)=
 (F)=

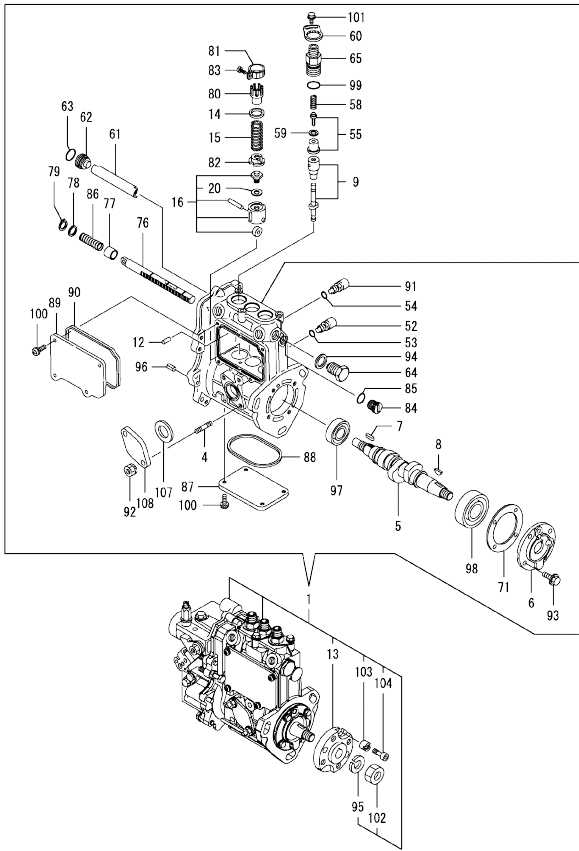
No.	Lev.	Parts No.	Description	Q'ty						I	R	
				(A)	(B)	(C)	(D)	(E)	(F)			
1	1	719540-51500	FIE ASSY	1	1						1	
4	2	129155-51020	STUD	2	2							
5	2	119717-51030	CAMSHAFT	1	1							
6	2	119717-51060	SUPPORT, CAMSHAFT	1	1							
7	2	119717-51070	KEY	1	1							
8	2	122710-51090	KEY	1	1							
9	2	119515-51100	PLUNGER ASSY	3	3							
12	2	129155-51140	PIN	3	3							
13	2	119717-51150	FLANGE	1	1							
14	2	158600-51170	RETAINER, SPRING	3	3							
15	2	119717-51190	SPRING, PLUNGER	3	3							
16	2	119717-51200	TAPPET ASSY	3	3							
20	3	129155-51600	SHIM SET, ADJUSTING	3	3							
52	2	158600-51270	STOPPER, TAPPET	3	3							
53	2	129155-51280	O-RING, S6	3	3							
54	2	129155-51280	O-RING, S6	1	1							
55	2	119717-51300	VALVE ASSY, DELIVERY	3	3							
58	2	119717-51330	SPRING, DELIVERY	3	3							
59	2	124550-51350	GASKET, DELIVERY	3	3							
60	2	119125-51370	RETAINER	3	3							
61	2	129155-51400	DEFLECTOR	1	1							
62	2	158600-51410	PLUG, DEFLECTOR	1	1							
63	2	119717-51420	O-RING	1	1							
64	2	158600-51420	PLUG, DEFLECTOR	1	1							
65	2	158600-51442	VALVE ASSY, DELIVERY	3	3							
71	2	129155-51450	SHIM SET, ADJUSTING	1	1							
76	2	119717-51500	RACK, CONTROL	1	1							
77	2	119025-51520	BUSH,RACK	1	1							
78	2	129155-51530	SPACER	1	1							
79	2	129155-51540	CIRCLIP	1	1							
80	2	129155-51550	PINION, CONTROL	3	3							
81	2	129100-51560	PINION	3	3							
82	2	119717-51570	RETAINER, SPRING	3	3							
83	2	129100-51570	SCREW	3	3							
84	2	158600-51570	PLUG	1	1							
85	2	129155-51580	O-RING	1	1							
86	2	129155-51591	SPRING, RACK	1	1							
87	2	129155-51701	COVER	1	1							
88	2	119717-51711	GASKET	1	1							
89	2	119717-51750	COVER	1	1							
90	2	119717-51761	GASKET	1	1							
91	2	158600-51790	STOOPER, RACK	1	1							
92	2	119717-51860	NUT, M6	2	2							
93	2	119125-51900	BOLT, 6 X 14	4	4							
94	2	22190-160002	WASHER, SEAL 16	1	1							
95	2	22217-120000	WASHER, SPRING 12	1	1							
96	2	22351-050010	PIN, SPRING 5.0X10	2	2							
97	2	24101-060034	BEARING, BALL 6003	1	1							
98	2	24101-063034	BEARING, BALL 6303	1	1							
99	2	24316-000150	O-RING, 4DP15.0	3	3							
100	2	26022-050122	SCREW, M5X12	8	8							

N:Old $\frac{New}{Old}$ New, Q:Old $\frac{New}{Old}$ New, R:Old $\frac{New}{Old}$ New, S:Old $\frac{New}{Old}$ New, W:Add, Z:Discontinued, F:Interchangeable by set, K:Q'ty Change
 ++ CONTINUE ++
 Copyright (C) YANMAR GLOBAL CS CO., LTD. All Rights Reserved.

Fig.14. FUEL INJECTION PUMP

(A)=3TNV70-PTB1R
(B)=3TNV70-PTB1
(C)=

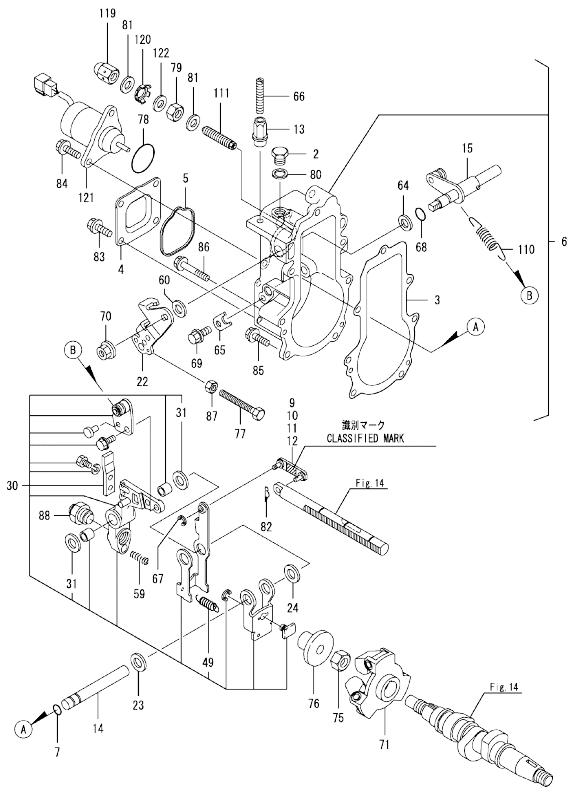
(D)=
(E)=
(F)=



No.	Lev.	Parts No.	Description	Q'ty					
				(A)	(B)	(C)	(D)	(E)	(F)
101	2	26106-050102	BOLT, M5X 10 PLATED	3	3				
102	2	26716-120002	NUT, M12	1	1				
103	2	119717-51481	COLLAR, FIC FIX	1	1				
104	2	119717-51491	BOLT, FIXATION	1	1				
107	2	129155-52051	GASKET	1	1				
108	2	129100-52200	COVER	1	1				

Remarks
(1)Governor(Fig.15)is incorporated in this Fuel Injection Pump (Ref.1).

Fig.15. GOVERNOR



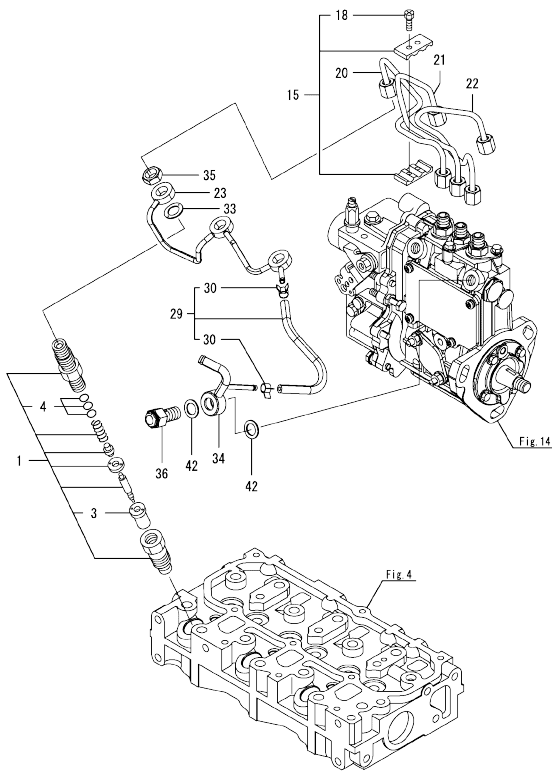
Remarks
 *This figure(Governor)is incorporated
 in the Fuel Injection Pump (Fig.14).
 (1)Selective parts, mark: 3
 (2)Selective parts, mark: 98
 (3)Selective parts, mark: 88
 (4)Selective parts, mark: 03

(A)=3TNV70-PTB1R
 (B)=3TNV70-PTB1
 (C)=

(D)=
 (E)=
 (F)=

No.	Lev.	Parts No.	Description	Q'ty						I	R
				(A)	(B)	(C)	(D)	(E)	(F)		
2	2	119717-51930	PLUG,M10	1	1						
3	2	119717-61050	GASKET	1	1						
4	2	119717-61060	COVER, GOVERNOR CASE	1	1						
5	2	119717-61070	GASKET	1	1						
6	2	119717-61100	CASE ASSY, GOVERNOR	1	1						
7	3	129155-51280	O-RING, S6	1	1						
9	3	119717-61120	LINK, MARK :3	1	1						1
10	3	119717-61130	LINK, MARK 98	1	1						2
11	3	119717-61140	LINK, MARK 88	1	1						3
12	3	119717-61150	LINK, MARK 03	1	1						4
13	3	129209-61370	NUT, M6	1	1						
14	3	129052-61390	SHAFT	1	1						
15	3	119717-61400	SHAFT ASSY	1	1						
22	3	119515-61440	LEVER, CONTROL	1	1						
23	3	129156-61460	SHIM, T=0.6	1	1						
24	3	129155-61480	SPACER ASSY	1	1						
30	3	119717-61500	LEVER ASSY, GOVERNOR	1	1						
31	4	174307-51700	SHIM SET	2	2						
49	4	129486-61540	SPRING, SET	1	1						
59	3	129100-61650	SPRING, CONTROLLER	1	1						
60	3	158552-61700	SHIM SET	1	1						
64	3	158552-61710	SHIM, T=1.0	1	1						
65	3	119660-61901	RETAINER, SHAFT	1	1						
66	3	121575-66830	SCREW	1	1						
67	3	227272-000030	RING, E- 3	1	1						
68	3	24341-000070	O-RING, 1AS7.0	1	1						
69	3	26106-060102	BOLT, M6X 10 PLATED	1	1						
70	3	26366-080002	NUT, M8	1	1						
71	2	119717-61201	WEIGHT ASSY,GOVERNOR	1	1						
75	2	129008-61301	NUT	1	1						
76	2	129155-61341	SLEEVE	1	1						
77	2	129155-61460	BOLT, IDLE	1	1						
78	2	158552-61900	O-RING	1	1						
79	2	129209-61920	NUT, ARB	1	1						
80	2	22190-100002	WASHER, SEAL 10	1	1						
81	2	22190-120002	WASHER, SEAL 12	2	2						
82	2	22372-040000	PIN, SNAP 4	1	1						
83	2	26106-060102	BOLT, M6X 10 PLATED	4	4						
84	2	26106-060142	BOLT, M6X 14 PLATED	2	2						
85	2	26106-060202	BOLT, M6X 20 PLATED	4	4						
86	2	26106-060452	BOLT, M6X 45 PLATED	3	3						
87	2	26756-060002	NUT, LOCK M6	1	1						
88	2	119740-61560	ANGLEICH ASSY	1	1						
110	2	171353-61700	SPRING, GOVERNOR	1	1						
111	2	158601-61790	LIMITER ASSY, FUEL	1	1						
119	2	129209-61930	NUT, CAP	1	1						
120	2	129209-61970	PLATE	1	1						
121	2	119233-77932	SOLENOID, STOP	1	1						
122	2	23414-120016	GASKET, 12X1.0	1	1						

Fig.16. FUEL INJECTION VALVE



(A)=3TNV70-PTB1R
(B)=3TNV70-PTB1
(C)=

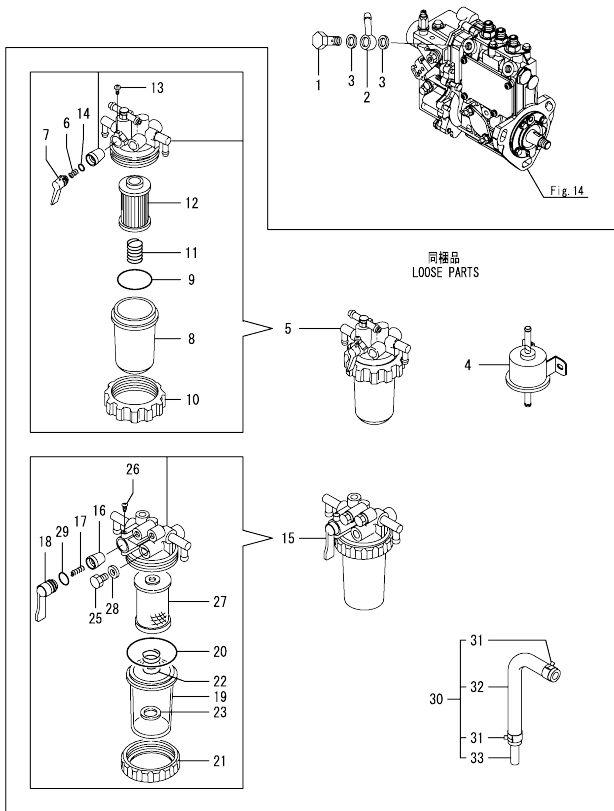
(D)=
(E)=
(F)=

No.	Lev.	Parts No.	Description	Q'ty						
				(A)	(B)	(C)	(D)	(E)	(F)	
1	1	119515-53001	VALVE ASSY,INJECTION	3	3					
3	2	119515-53010	VALVE ASSY,INJECTION	3	3					
4	2	129901-53800	SHIM SET, ADJUSTING	3	3					1
15	1	129150-59120	RETAINER, PIPE	1	1					
18	2	129150-59131	BOLT, M4X14	2	2					
20	1	119546-59810	PIPE ASSY, INJECTION	1	1					
21	1	119546-59820	PIPE ASSY, INJECTION	1	1					
22	1	119546-59830	PIPE ASSY, INJECTION	1	1					
23	1	119515-59540	PIPE ASSY, RETURN	1	1					
29	1	119744-59560	PIPE ASSY, RETURN	1	1					
30	2	124066-59100	CLIP, HOSE 8	2	2					
33	1	129901-59560	GASKET	3	3					
34	1	119515-59581	JOINT, OVER FLOW	1	1					
35	1	119620-59700	NUT, NOZZLE	3	3					
36	1	119813-59950	VALVE ASSY, CHECK	1	1					
42	1	22190-120002	WASHER, SEAL 12	2	2					

Remarks

(1)Spare parts.

Fig.17. FUEL FILTER

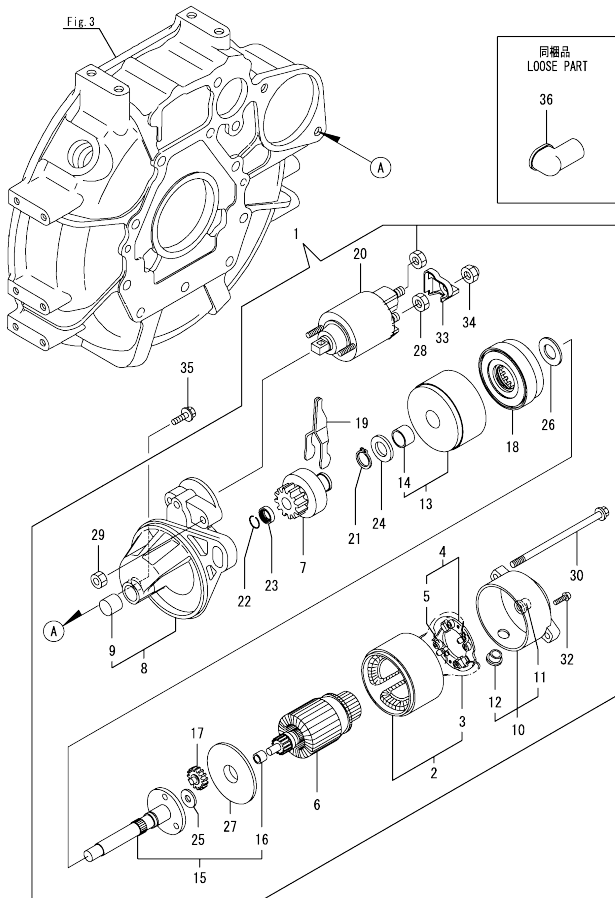


(A)=3TNV70-PTB1R
(B)=3TNV70-PTB1
(C)=

(D)=
(E)=
(F)=

No.	Lev.	Parts No.	Description	Q'ty						I	R
				(A)	(B)	(C)	(D)	(E)	(F)		
1	1	103854-39140	BOLT, PIPE JOINT	1	1						
2	1	101304-59020	JOINT, PIPE 12	1	1						
3	1	22190-120002	WASHER, SEAL 12	2	2						
4	1	129612-52100	PUMP ASSY, FUEL FEED	1	1						
5	1	119833-55621	FILTER ASSY, FUEL	1	1						
5-1	1	119740-55601	STRAINER ASSY	1	1						N
(A=EA6268) (B=EA6268)											
6	2	104200-55330	SPRING, VALVE	1	1						
7	2	119810-55340	LEVER	1	1						
8	2	121254-55510	COVER	1	1						
9	2	102103-55520	O-RING	1	1						
10	2	110250-55610	RING, RETAINING	1	1						
11	2	121250-55620	SPRING	1	1						
11-1	2	121250-55620	SPRING	1	1						Z
(A=EA6268) (B=EA6268)											
12	2	119810-55650	ELEMENT	1	1						
13	2	104200-55750	SCREW, M4	1	1						
14	2	24311-240100	O-RING, 1AP10A	1	1						
15	1	129335-55701	SEPARATOR ASSY,WATER	1	1						
16	2	104200-55321	VALVE, TAPER	1	1						
17	2	104200-55330	SPRING, VALVE	1	1						
18	2	104200-55341	HANDLE	1	1						
19	2	124064-55510	COVER	1	1						
20	2	102103-55520	O-RING	1	1						
21	2	110250-55610	RING, RETAINING	1	1						
22	2	121257-55720	SPRING	1	1						
23	2	121257-55731	FLOAT	1	1						
25	2	101720-55750	PLUG, 6	2	2						
26	2	104200-55750	SCREW, M4	1	1						
27	2	171081-55910	SCREEN	1	1						
28	2	23418-060000	GASKET, 6X1.0	2	2						
29	2	24311-240100	O-RING, 1AP10A	1	1						
30	1	119840-59601	BEND	1	1						
31	2	124766-59050	CLIP, HOSE 12	2	2						
32	2	119840-59611	BEND	1	1						
33	2	119840-59621	JOINT	1	1						

Fig.18. STARTING MOTOR

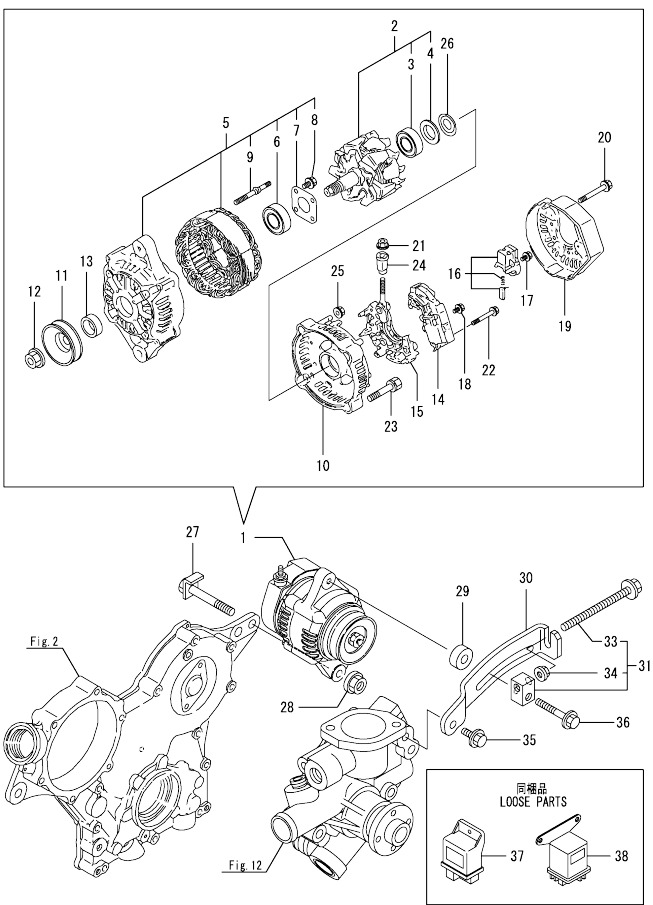


(A)=3TNV70-PTB1R
(B)=3TNV70-PTB1
(C)=

(D)=
(E)=
(F)=

No.	Lev.	Parts No.	Description	Q'ty						I	R
				(A)	(B)	(C)	(D)	(E)	(F)		
1	1	119515-77010	STARTER	1	1						
2	2	X0281007680	YOKE ASSY	1	1						
3	3	X0280996180	STARTER KIT	2	2						
4	2	X0285105190	HOLDER ASSY	1	1						
5	3	X0285205030	SPRING	4	4						
6	2	X0282005871	ARMATURE ASSY	1	1						
7	2	X0283006960	CLUTCH ASSY	1	1						
8	2	X4284001590	HOUSING ASSY	1	1						
9	3	X9491050100	BEARING, NEEDLE	1	1						
10	2	X0285007030	FRAME ASSY	1	1						
11	3	X9491040990	BEARING	1	1						
12	3	X0280626010	COVER	1	1						
13	2	X0284105040	BEARING ASSY	1	1						
14	3	X9491034330	BEARING	1	1						
15	2	X0286105010	SHAFT ASSY	1	1						
16	3	X9491034320	BEARING	1	1						
17	2	X0286305010	GEAR	3	3						
18	2	X0286355010	GEAR	1	1						
19	2	X0287405140	LEVER	1	1						
20	2	X0534007800	SWITCH ASSY	1	1						
21	2	X9055715000	RING	1	1						
22	2	X9490721360	RING	1	1						
23	2	X0280210331	NUT	1	1						
24	2	X9490138110	WASHER	1	1						
25	2	X9490138090	WASHER	1	1						
26	2	X9490138100	WASHER	1	1						
27	2	X0284525010	PLATE	1	1						
28	2	X9490562360	NUT	1	1						
29	2	X9490560750	NUT	2	2						
30	2	X9490423520	BOLT, THROUGH	2	2						
32	2	X9490065670	SCREW, M4X6	2	2						
33	2	X0280335360	COVER, TERMINAL	1	1						
34	2	X1289510130	NUT	1	1						
35	1	26106-100252	BOLT, M10X 25 PLATED	2	2						
36	1	124550-77030	COVER, TERMINAL	1	1						

Fig.19. GENERATOR

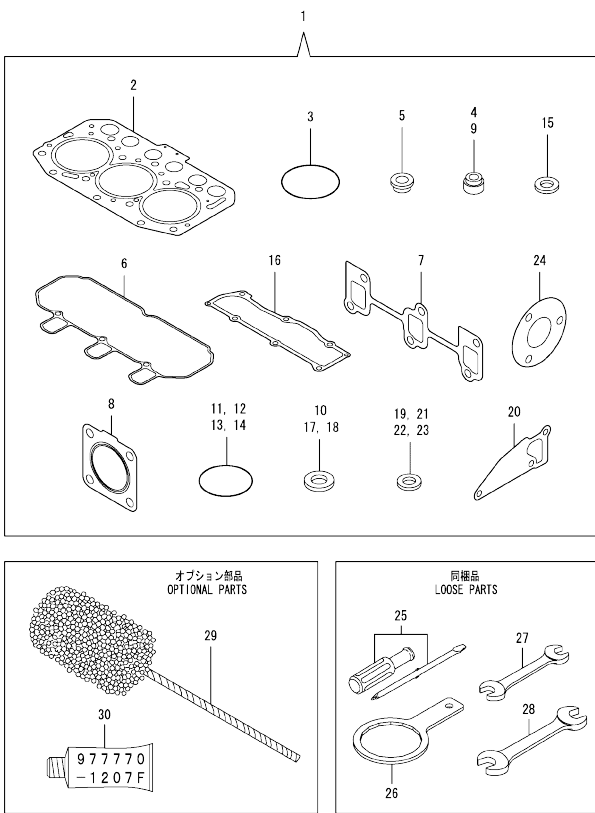


(A)=3TNV70-PTB1R
(B)=3TNV70-PTB1
(C)=

(D)=
(E)=
(F)=

No.	Lev.	Parts No.	Description	Qty						I	R
				(A)	(B)	(C)	(D)	(E)	(F)		
1	1	129240-77200	ALTERNATOR	1	1						
2	2	119620-77380	ROTOR ASSY	1	1						
3	3	123501-79240	BEARING, BALL	1	1						
4	3	119620-79250	COVER	1	1						
5	2	119620-77421	FRAME ASSY, DRIVE	1	1						
6	3	119620-79200	BEARING, BALL	1	1						
7	3	119620-79210	PLATE, RETAINER	1	1						
8	3	119620-79220	SCREW	4	4						
9	3	119620-79230	STUD	2	2						
10	2	119620-77440	FRAME ASSY	1	1						
11	2	119620-77461	PULLEY	1	1						
12	2	119620-77471	NUT	1	1						
13	2	119620-77490	COLLAR	1	1						
14	2	129240-77710	REGULATOR ASSY	1	1						
15	2	119620-79260	HOLDER	1	1						
16	2	129052-79270	HOLDER, BRUSH	1	1						
17	2	119620-79290	SCREW	6	6						
18	2	119620-79300	SCREW	1	1						
19	2	129240-79300	COVER	1	1						
20	2	119620-79310	BOLT	3	3						
21	2	129240-79310	NUT	1	1						
22	2	119620-79320	SCREW	2	2						
23	2	119620-79330	BOLT	2	2						
24	2	119620-79340	BUSH, INSULATION	1	1						
25	2	119620-79350	NUT	2	2						
26	2	119620-79360	WASHER, THRUST	1	1						
27	1	119740-77251	BOLT, M10X80	1	1						
28	1	26306-100002	NUT, M10	1	1						
29	1	119940-77270	SPACER, GENERATOR	1	1						
30	1	119740-77310	ADJUSTER	1	1						
31	1	119624-77351	BLOCK ASSY, ADJUSTER	1	1						
33	2	26106-081004	BOLT, M8X100 PLATED	1	1						
34	2	26306-080002	NUT, M8	1	1						
35	1	26106-080202	BOLT, M8X 20 PLATED	1	1						
36	1	26106-080552	BOLT, M8X 55 PLATED	1	1						
37	1	119802-77200	RELAY, SAFETY	1	1						
38	1	119646-77900	RELAY, POWER	1	1						

Fig.20. GASKET SET



(A)=3TNV70-PTB1R
(B)=3TNV70-PTB1
(C)=

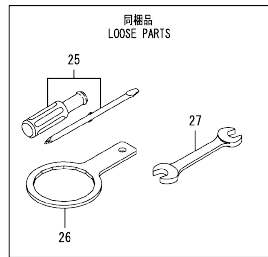
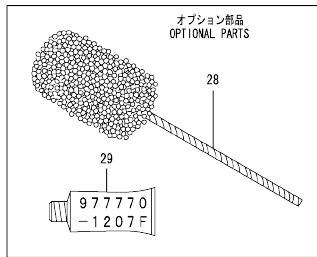
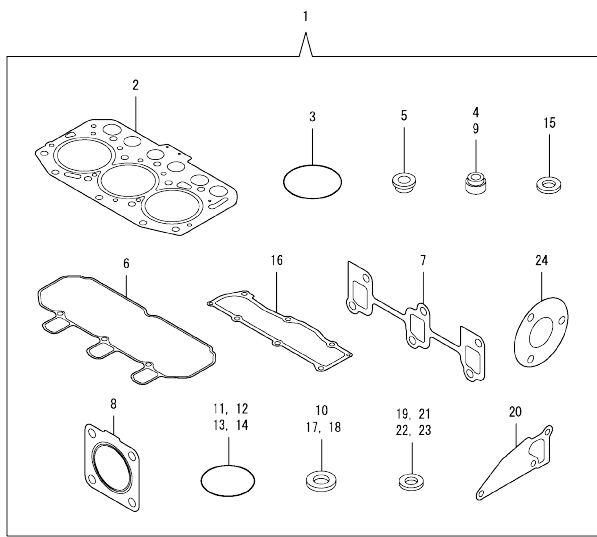
(D)=
(E)=
(F)=

No.	Lev.	Parts No.	Description	Qty						I	R		
				(A)	(B)	(C)	(D)	(E)	(F)				
1	1	719515-92650	GASKET SET	1								1	
2	2	119515-01331	GASKET, HEAD	1									
3	2	121850-51960	O-RING	1									
4	2	119717-11340	SEAL, VALVE STEM	3									
5	2	129901-11450	PROTECTOR, NOZZLE	3									
6	2	119515-11310	GASKET, BONNET	1									
7	2	119717-13110	GASKET	1									
8	2	119515-13200	GASKET, SILENCER	2									
9	2	119717-11350	SEAL, VALVE STEM	3									
10	2	22190-080002	WASHER, SEAL 6	4									
11	2	24311-000320	O-RING, 1AP32.0	2									
12	2	119717-32060	O-RING, P15.0	1									
13	2	119624-32040	O-RING, P12.0	1									
14	2	119717-32050	O-RING, P17.0	3									
15	2	119600-11460	GASKET, NOZZLE	6									
16	2	119515-11330	GASKET	1									
17	2	22190-160002	WASHER, SEAL 16	1									
18	2	22190-120002	WASHER, SEAL 12	4									
19	2	129901-59560	GASKET	3									
20	2	119515-42020	GASKET, WATER PUMP	1									
21	2	23414-080000	GASKET, 8X1.0	1									
22	2	124465-44950	GASKET, 16	1									
23	2	129150-49360	GASKET	1									
24	2	103954-13201	GASKET, SILENCER	1									
25	1	104200-92350	DRIVER, SCREW	1									
26	1	119332-92751	WRENCH, FILTER 68	1									
27	1	28110-100120	SPANNER, 10X12	1									
28	1	28110-140170	SPANNER, 14X17	1									
29	1	129400-92410	HONE	1									1
30	1	977770-1207F	GASKET, LIQUID	1									1

Remarks

(1)Optional parts.

Fig.21. GASKET SET



(A)=3TNV70-PTB1R
(B)=3TNV70-PTB1
(C)=

(D)=
(E)=
(F)=

No.	Lev.	Parts No.	Description	Qty						I	R		
				(A)	(B)	(C)	(D)	(E)	(F)				
1	1	719515-92650	GASKET SET									1	
2	2	119515-01331	GASKET, HEAD										
3	2	121850-51960	O-RING										
4	2	119717-11340	SEAL, VALVE STEM										
5	2	129901-11450	PROTECTOR, NOZZLE										
6	2	119515-11310	GASKET, BONNET										
7	2	119717-13110	GASKET										
8	2	119515-13200	GASKET, SILENCER										
9	2	119717-11350	SEAL, VALVE STEM										
10	2	22190-080002	WASHER, SEAL 6										
11	2	24311-000320	O-RING, 1AP32.0										
12	2	119717-32060	O-RING, P15.0										
13	2	119624-32040	O-RING, P12.0										
14	2	119717-32050	O-RING, P17.0										
15	2	119600-11460	GASKET, NOZZLE										
16	2	119515-11330	GASKET										
17	2	22190-160002	WASHER, SEAL 16										
18	2	22190-120002	WASHER, SEAL 12										
19	2	129901-59560	GASKET										
20	2	119515-42020	GASKET, WATER PUMP										
21	2	23414-080000	GASKET, 8X1.0										
22	2	124465-44950	GASKET, 16										
23	2	129150-49360	GASKET										
24	2	103954-13201	GASKET, SILENCER										
25	1	104200-92350	DRIVER, SCREW										
26	1	119332-92751	WRENCH, FILTER 68										
27	1	28110-100120	SPANNER, 10X12										
28	1	129400-92410	HONE										
29	1	977770-1207F	GASKET, LIQUID										

Remarks
(1)Optional parts.

Parts No. Index

Parts No.	Fig. No.	Ref. No.
101304-59020	17	2
101720-55750	17	25
102103-55520	17	9
		20
103854-39140	17	1
103954-13201	8	7
	20	24
	21	24
104200-55321	17	16
104200-55330	17	6
		17
104200-55341	17	18
104200-55750	17	13
		26
104200-92350	20	25
	21	25
105010-11490	4	3
	5	3
105027-12580	6	5
	7	5
105311-01090	1	4
105425-01690	3	9
110250-55610	17	10
		21
114250-39450	11	11
119025-51520	14	77
119125-51370	14	60
119125-51900	14	93
119131-18320	8	5
119226-07900	4	54
119233-77932	15	121
119285-01990	1	6
119285-11990	4	9
	5	9
119305-35151	11	17
119332-92751	20	26
	21	26
119336-12570	6	4
	7	4 -1
119515-01200	1	26
119515-01331	1	27
		20
		21
		2
119515-01720	3	7
119515-01770	3	8
119515-11101	4	11
		5
		11
119515-11110	4	12
		5
		12
119515-11200	4	19

Parts No.	Fig. No.	Ref. No.
119515-11200	5	19
119515-11240	4	20
		5
		20
119515-11280	4	24
		5
		24
119515-11310	4	43
		5
		43
		20
		6
		21
		6
119515-11320	4	44
		5
		44
119515-11330	4	45
		5
		45
		20
		16
		21
		16
119515-11380	4	33
		5
		33
119515-11740	4	4
		5
		4
119515-11800	4	57
		5
		57
119515-13200	8	8
		20
		8
		21
		8
119515-13550	8	9
119515-14400	9	2
119515-14581	9	3
119515-21700	10	1
119515-22080	10	14
119515-22300	10	20
119515-22500	10	16
119515-22550	10	33
119515-22900	10	31
119515-23000	10	22
119515-23601	10	26
119515-23611	10	29
119515-34801	11	1
119515-35080	11	6
119515-42020	12	13
		13
		13
		20
		20
		21
		20
119515-42041	12	4
		13
		4
119515-42350	12	17
		13
		17
119515-51100	14	9
119515-53001	16	1
119515-53010	16	3
119515-59540	16	23

Parts No.	Fig. No.	Ref. No.
119515-59581	16	34
119515-61440	15	22
119515-77010	18	1
119540-07920	5	55
119540-12500	6	1
119540-12530	7	1
119540-12540	6	7
		7
		7
119540-12550	6	8
		7
		8
119540-12560	6	9
		7
		9
119540-12570	7	1 -1
119540-12580	6	1 -1
119546-59810	16	20
119546-59820	16	21
119546-59830	16	22
119600-11460	4	2
		5
		2
		20
		15
		21
		15
119620-01750	3	3
119620-02020	1	7
119620-14200	9	1
119620-21500	10	7
119620-21941	10	13
119620-59700	16	35
119620-77380	19	2
119620-77421	19	5
119620-77440	19	10
119620-77461	19	11
119620-77471	19	12
119620-77490	19	13
119620-79200	19	6
119620-79210	19	7
119620-79220	19	8
119620-79230	19	9
119620-79250	19	4
119620-79260	19	15
119620-79290	19	17
119620-79300	19	18
119620-79310	19	20
119620-79320	19	22
119620-79330	19	23
119620-79340	19	24
119620-79350	19	25
119620-79360	19	26
119621-21681	10	12
119623-01250	1	5
119624-32040	2	18

Parts No.	Fig. No.	Ref. No.
119624-32040	20	13
		21
		13
119624-77351	19	31
119629-49080	12	40
		13
		40
119646-77900	19	38
119655-12560	6	3
		7
		3
119655-12570	6	4 -1
119660-01911	2	17
119660-61901	15	65
119686-12570	7	4
119717-01501	2	1
119717-01521	2	5
119717-01570	2	2
119717-01601	3	2
119717-01750	2	16
119717-01800	2	7
119717-02411	1	10
119717-02930	1	23
119717-03031	4	34
		5
		34
119717-03070	4	35
		36
		5
		35
		36
119717-11131	4	13
		5
		13
119717-11190	4	15
		5
		15
119717-11260	4	23
		5
		23
119717-11340	4	16
		5
		16
		20
		4
		21
		4
119717-11350	4	17
		5
		17
		20
		9
		21
		9
119717-11650	4	25
		5
		25
119717-13110	8	2
		20
		7
		21
		7
119717-13600	8	3
119717-21200	10	4
119717-21650	10	11
119717-23200	10	25
119717-23910	10	28

Parts No. Index

Parts No.	Fig. No.	Ref. No.
129508-11180	5	14
129612-52100	17	4
129900-07900	5	54
129900-32130	2	10
129901-11450	4	1
	5	1
	20	5
	21	5
129901-53800	16	4
129901-59560	16	33
	20	19
	21	19
129916-49740	12	10
	13	10
129927-44900	12	27
	13	27
129974-49350	12	29
	13	29
158552-61700	15	60
158552-61710	15	64
158552-61900	15	78
158600-51170	14	14
158600-51270	14	52
158600-51410	14	62
158600-51420	14	64
158600-51442	14	65
158600-51570	14	84
158600-51790	14	91
158601-61790	15	111
171081-55910	17	27
171340-44740	12	19
171353-61700	15	110
174307-51700	15	31
22190-080002	11	14
	16	16
	20	10
	21	10
22190-100002	15	80
22190-120002	12	30
	13	30
	15	81
	16	42
	17	3
	20	18
	21	18
22190-160002	3	11
	14	94
	20	17
	21	17
22217-120000	14	95

Parts No.	Fig. No.	Ref. No.
22242-000120	4	29
	5	29
22252-000220	10	21
22272-000030	15	67
22351-050010	14	96
22351-060012	4	18
	5	18
22372-040000	15	82
22512-040120	10	5
22857-500100	4	46
	47	47
	5	46
	47	47
22857-500160	4	48
	5	48
23065-070130	12	36
	13	36
23414-080000	12	14
	13	14
	20	21
	21	21
23414-120016	15	122
23418-060000	17	28
23857-030000	11	15
23876-005000	4	10
	5	10
23876-030000	2	6
24101-060034	14	97
24101-063034	14	98
24311-000320	2	29
	4	49
	5	49
	20	11
	21	11
24311-240100	17	14
	29	29
24316-000150	14	99
24341-000070	15	68
25152-003500	12	18
	13	18
26022-050122	14	100
26106-050102	14	101
26106-060102	11	10
	15	69
	83	83
26106-060122	2	21
	3	12
	9	8
26106-060142	15	84
26106-060162	2	22

Parts No.	Fig. No.	Ref. No.
26106-060202	4	50
	5	50
	15	85
26106-060252	3	13
26106-060302	12	21
	13	21
26106-060352	9	13
26106-060402	2	23
	24	24
26106-060452	3	14
	15	86
26106-060602	2	25
26106-060652	2	26
26106-060752	4	51
	5	51
26106-080122	12	15
	13	15
26106-080142	4	56
26106-080162	5	56
26106-080202	12	24
	13	24
	19	35
26106-080402	4	31
	5	31
26106-080502	12	16
	13	16
26106-080552	19	36
26106-081004	19	33
26106-100252	18	35
26206-100252	3	5
26206-100302	3	6
26306-080002	2	27
	8	6
	19	34
26306-100002	19	28
26366-080002	15	70
26577-060122	12	11
	13	11
26716-120002	14	102
26756-060002	15	87
26979-050162	4	30
	5	30
27241-120000	1	13
27241-250000	12	12
	13	12
28110-100120	20	27
	21	27
28110-140170	20	28
719515-01560	1	1
719515-92650	20	1

Parts No.	Fig. No.	Ref. No.
719515-92650	21	1
719540-51500	14	1
719717-02901	1	28
719717-02911	1	31
719734-01500	2	4
977770-1207F	20	30
	21	29
X0280210331	18	23
X0280335360	18	33
X0280626010	18	12
X0280996180	18	3
X0281007680	18	2
X0282005871	18	6
X0283006960	18	7
X0284105040	18	13
X0284525010	18	27
X0285007030	18	10
X0285105190	18	4
X0285205030	18	5
X0286105010	18	15
X0286305010	18	17
X0286355010	18	18
X0287405140	18	19
X0534007800	18	20
X1289510130	18	34
X4284001590	18	8
X9055715000	18	21
X9490065670	18	32
X9490138090	18	25
X9490138100	18	26
X9490138110	18	24
X9490423520	18	30
X9490560750	18	29
X9490562360	18	28
X9490721360	18	22
X9491034320	18	16
X9491034330	18	14
X9491040990	18	11
X9491050100	18	9