

0CW10-M06301EN

P R E F A C E

This parts catalog is the 2nd edition of 3TNV70-SSU and 3TNV70-SSU1 for Sunward.

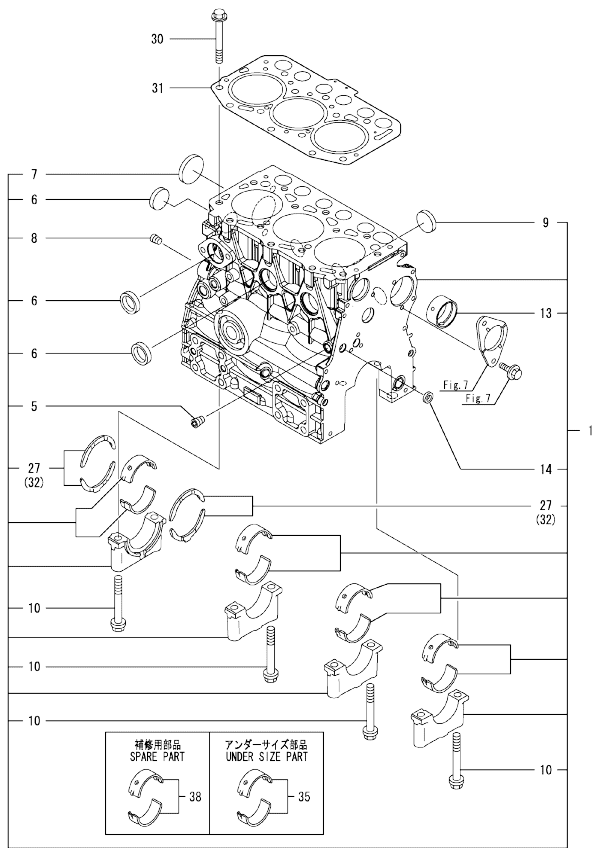
Published : May, 2014

Contents

0CW10-M06301

Fig. No.	Fig. Name	Fig. No.	Fig. Name
3TNV70-SSU/3TNV70-SSU1			
1.	CYLINDER BLOCK		
2.	GEAR HOUSING		
3.	FLYWHEEL HOUSING & OIL SUMP		
4.	CYLINDER HEAD & BONNET		
5.	AIR CLEANER		
6.	EXHAUST MANIFOLD & SILENCER		
7.	CAMSHAFT & DRIVING GEAR		
8.	CRANKSHAFT & PISTON		
9.	LUB. OIL SYSTEM		
10.	COOLING WATER SYSTEM		
11.	FUEL INJECTION PUMP		
12.	GOVERNOR		
13.	FUEL INJECTION VALVE		
14.	FUEL PIPE		
15.	STARTER MOTOR		
16.	GENERATOR		
17.	GASKET SET		

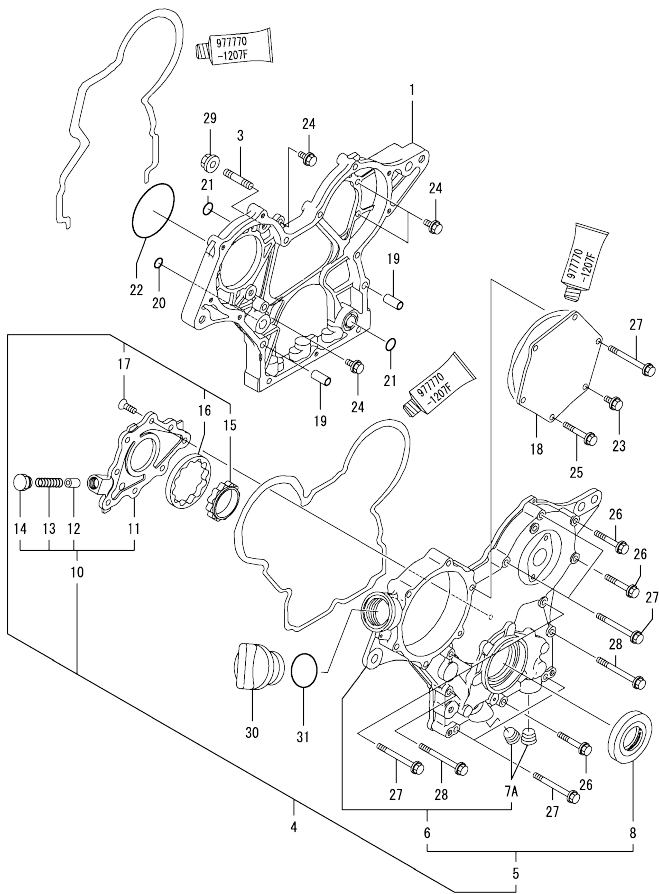
Fig.1. CYLINDER BLOCK



No.	Lev.	Parts No.	Description	Q'ty						I	R
				(A)	(B)	(C)	(D)	(E)	(F)		
1	1	719515-01560	BLOCK ASSY, CYLINDER	1	1						
5	2	124060-01050	PLUG, PT1/8	1	1						
6	2	105311-01090	PLUG, 30	4	4						
7	2	119623-01250	PLUG, 45	1	1						
8	2	124160-01910	PLUG, PT1/4	1	1						
9	2	119285-01990	PLUG, 25	3	3						
10	2	119620-02020	BOLT, METAL CAP	8	8						
13	2	119717-02410	BUSH, CAMSHAFT	1							
13-1	2	119717-02411	BUSH, CAMSHAFT	1	1						N
(A=E13850)											
14	2	27241-120000	PLUG, 12	1	1						
27	2	119810-02930	BEARING, THRUST	1							
27-1	2	119717-02930	BEARING, THRUST	2	2						N
(A=E13850)											
30	1	119515-01200	BOLT, HEAD	14	14						
31	1	119515-01330	GASKET, HEAD	1							
31-1	1	119515-01331	GASKET, HEAD	1	1						N
(A=E83352)											
32	1	119810-02940	BEARING, THRUST 0.25	2							1
32-1	1	119810-02941	BEARING, THRUST 0.25	2	2						N 1
(A=E13850)											
35	1	719717-02910	BEARING, 0.25 US	4							3
35-1	1	719717-02911	BEARING, 0.25 US	4	4						N 3
(A=E13850)											
38	1	719717-02900	BEARING, MAIN	4							2
38-1	1	719717-02901	BEARING, MAIN	4	4						N 2
(A=E13850)											

Remarks
 (1)Over-sized(O.S.=0.25) parts.
 (2)Spare parts.
 (3)Under-sized(U.S.=0.25) parts.

Fig.2. GEAR HOUSING

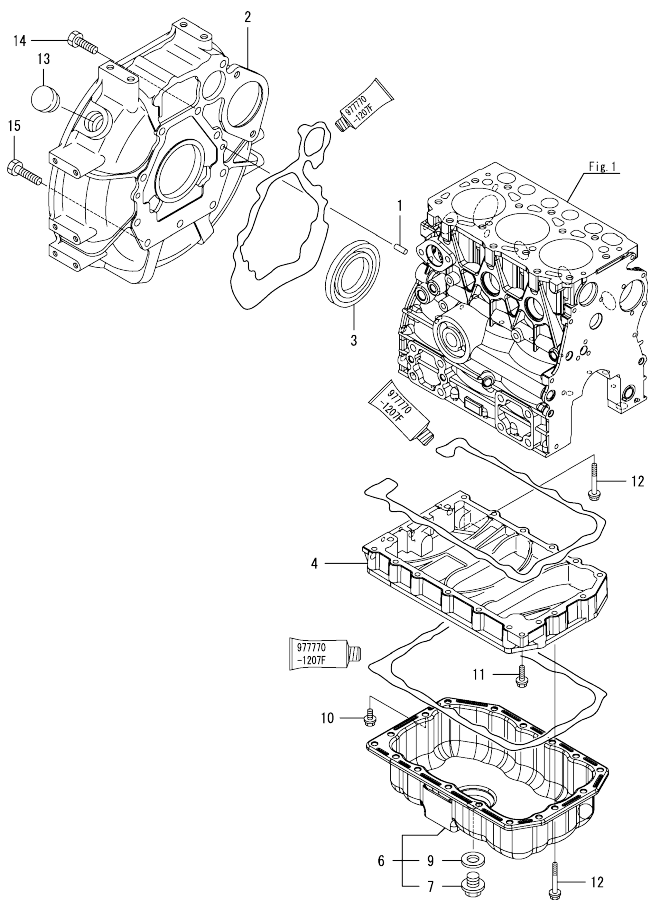


(A)=3TNV70-SSU
(B)=3TNV70-SSU1
(C)=

(D)=
(E)=
(F)=

No.	Lev.	Parts No.	Description	Qty						I	R
				(A)	(B)	(C)	(D)	(E)	(F)		
1	1	119717-01501	CASE, GEAR	1	1						
3	1	119717-01570	STUD	3	3						
4	1	119734-01590	COVER ASSY,GEAR CASE	1	1						
5	2	719734-01500	COVER ASSY,GEAR CASE	1	1						
6	3	119717-01521	COVER, GEAR CASE	1	1						
7A	4	23876-030000	PLUG, R03	2	2						
8	3	119717-01800	SEAL, OIL	1	1						
10	2	119717-32100	COVER ASSY	1	1						
11	3	119717-32080	COVER	1	1						
12	3	129900-32130	VALVE, RELIEF	1	1						
13	3	129001-32320	SPRING	1	1						
14	3	129001-32330	PLUG	1	1						
15	2	119717-32110	ROTOR, INNER	1	1						
16	2	119717-32120	ROTOR, OUTER	1	1						
17	2	119802-32130	SCREW, M6X16	8	8						
18	1	119717-01750	COVER	1	1						
19	1	119660-01911	PIPE, KNOCK	4	4						
20	1	119624-32040	O-RING, P12.0	1	1						
21	1	119717-32050	O-RING, P17.0	3	3						
22	1	121850-51960	O-RING	1	1						
23	1	26106-060122	BOLT, M6X 12 PLATED	1	1						
24	1	26106-060162	BOLT, M6X 16 PLATED	4	4						
25	1	26106-060402	BOLT, M6X 40 PLATED	4	4						
26	1	26106-060402	BOLT, M6X 40 PLATED	3	3						
27	1	26106-060602	BOLT, M6X 60 PLATED	7	7						
28	1	26106-060652	BOLT, M6X 65 PLATED	2	2						
29	1	26306-080002	NUT, M8	3	3						
30	1	124160-01751	COVER, FILLER	1	1						
31	1	24311-000320	O-RING, 1AP32.0	1	1						

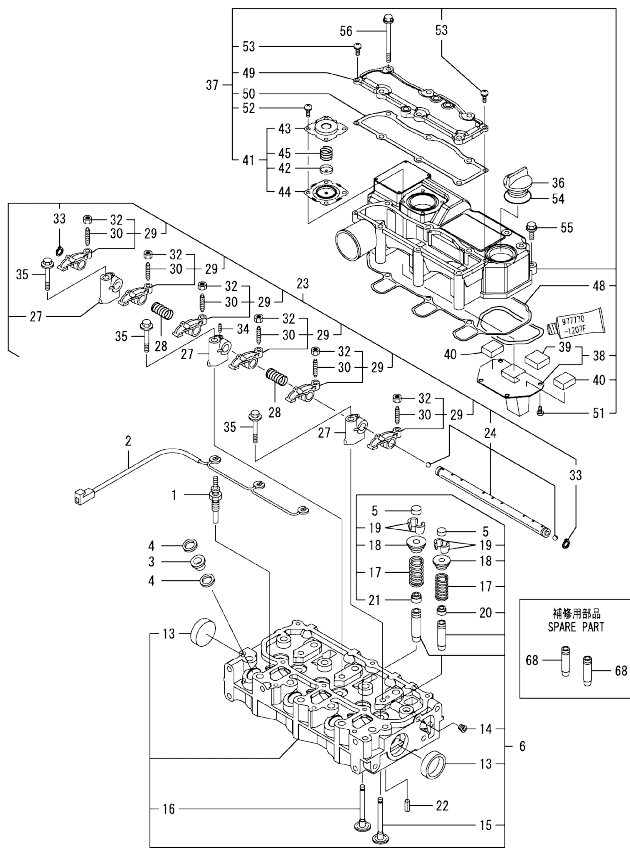
Fig.3. FLYWHEEL HOUSING & OIL SUMP



No.	Lev.	Parts No.	Description	Q'ty						I	R
				(A)	(B)	(C)	(D)	(E)	(F)		
1	1	129100-01580	PIN, 8X16		2	2					
2	1	119515-01601	HOUSING, FLYWHEEL	1	1						
3	1	124085-02220	SEAL, OIL	1	1						
4	1	119515-01720	SPACER, OIL SUMP	1	1						
6	1	119540-01770	SUMP ASSY, OIL	1	1						
7	2	105425-01690	PLUG, 16	1	1						
9	2	22190-160002	WASHER, SEAL 16	1	1						
10	1	26106-060122	BOLT, M6X 12 PLATED	1	1						
11	1	26106-060252	BOLT, M6X 25 PLATED	1	1						
12	1	26106-060452	BOLT, M6X 45 PLATED	17	17						
13	1	119620-01750	CAP	1	1						
14	1	26206-100252	BOLT, M10X 25 PLATED	7	7						
15	1	121120-01620	BOLT, M10X28	3							
15-1	1	26206-100302	BOLT, M10X 30 PLATED	3	3						R

(A)=3TNV70-SSU
(B)=3TNV70-SSU1
(C)=
(D)=
(E)=
(F)=

Fig.4. CYLINDER HEAD & BONNET



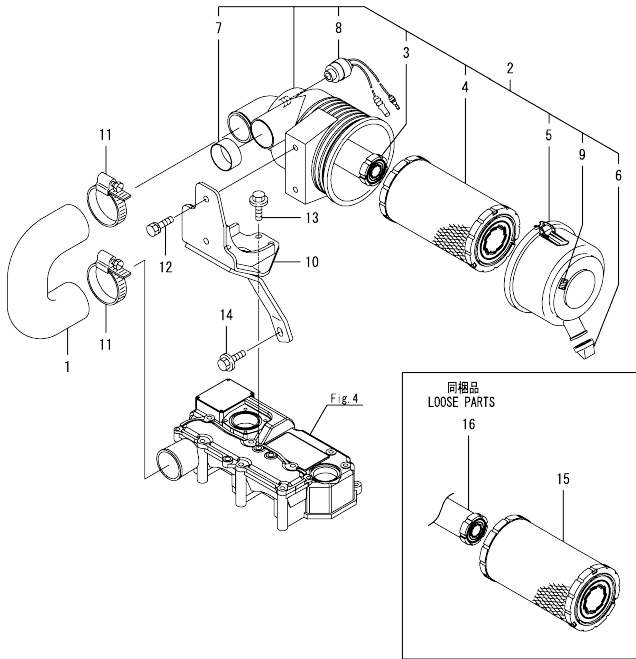
(A)=3TNV70-SSU
(B)=3TNV70-SSU1
(C)=

(D)=
(E)=
(F)=

No.	Lev.	Parts No.	Description	Q'ty						I	R
				(A)	(B)	(C)	(D)	(E)	(F)		
1	1	119717-77800	PLUG, GLOW	3							
1-1	1	119717-77801	PLUG, GLOW	3	3						N
(A=E87260)											
2	1	119717-77820	CONNECTOR, GLOW PLUG	1	1						
3	1	129901-11450	PROTECTOR, NOZZLE	3	3						
4	1	119600-11460	GASKET, NOZZLE	6	6						
5	1	105010-11490	CAP, VALVE	6	6						
6	1	119515-11740	HEAD ASSY, CYLINDER	1	1						
13	2	119285-11990	PLUG, 35	2	2						
14	2	23876-005000	PLUG, R005	1	1						
15	2	119515-11100	VALVE, INTAKE	3							
15-1	2	119515-11101	VALVE, INTAKE	3	3						R
(A=E18051)											
16	2	119515-11110	VALVE, EXHAUST	3	3						
17	2	119717-11131	SPRING, VALVE	6	6						
18	2	129508-11180	RETAINER, SPRING	6	6						
19	2	119717-11190	COTTER	12	12						
20	2	119717-11340	SEAL, VALVE STEM	3	3						
21	2	119717-11350	SEAL, VALVE STEM	3	3						
22	1	22351-060012	PIN, SPRING 6.0X12	2	2						
23	1	119515-11200	SUPPORT ASSY, ARM	1	1						
24	2	119515-11240	SHAFT ASSY, ROCKER	1	1						
27	2	119717-11260	SUPPORT, ROCKER ARM	3	3						
28	2	119515-11280	SPRING	2	2						
29	2	119717-11650	ARM, ROCKER	6	6						
30	3	129150-11230	SCREW, VALVE ADJUST	6	6						
32	3	129150-11750	NUT, M8	6	6						
33	2	22242-000120	RING, 12	2	2						
34	2	26979-050162	SCREW, M5X16	1	1						
35	1	26106-080402	BOLT, M8X 40 PLATED	3	3						
36	1	124160-01751	COVER, FILLER	1	1						
37	1	119515-11380	BONNET ASSY, HEAD	1	1						
38	2	119717-03031	PLATE	1	1						
39	3	119717-03070	BAFFLE, BREATHER	1	1						
40	2	119717-03070	BAFFLE, BREATHER	2	2						
41	2	119802-03100	DIAPHRAGM ASSY	1	1						
42	3	119802-03110	PLATE	1	1						
43	3	119802-03121	COVER, DIAPHRAGM	1	1						
44	3	119802-03131	DIAPHRAGM	1	1						
45	3	119802-03141	SPRING, DIAPHRAGM	1	1						
48	2	119515-11310	GASKET, BONNET	1	1						
49	2	119515-11320	COVER, BONNET	1	1						
50	2	119515-11330	GASKET	1	1						
51	2	22857-500100	SCREW, 5X10	4	4						
52	2	22857-500100	SCREW, 5X10	4	4						
53	2	22857-500160	SCREW, 5X16	2	2						
54	1	24311-000320	O-RING, 1AP32.0	1	1						
55	1	26106-060202	BOLT, M6X 20 PLATED	3	3						
56	1	26106-060752	BOLT, M6X 75 PLATED	6	6						
68	2	119515-11800	GUIDE, VALVE	6	6						1

Remarks
(1)Spare parts.

Fig.5. AIR CLEANER

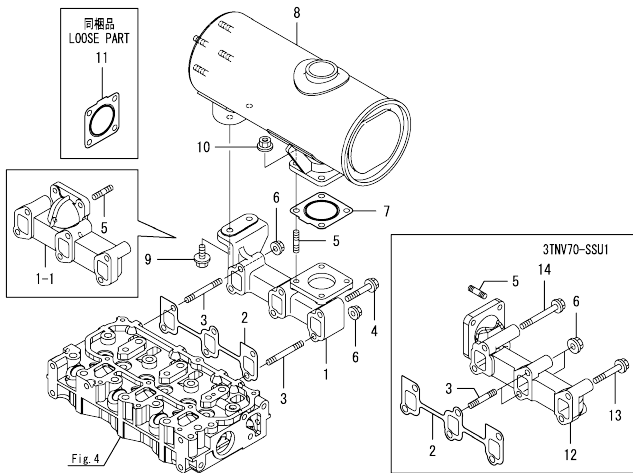


(A)=3TNV70-SSU
(B)=3TNV70-SSU1
(C)=

(D)=
(E)=
(F)=

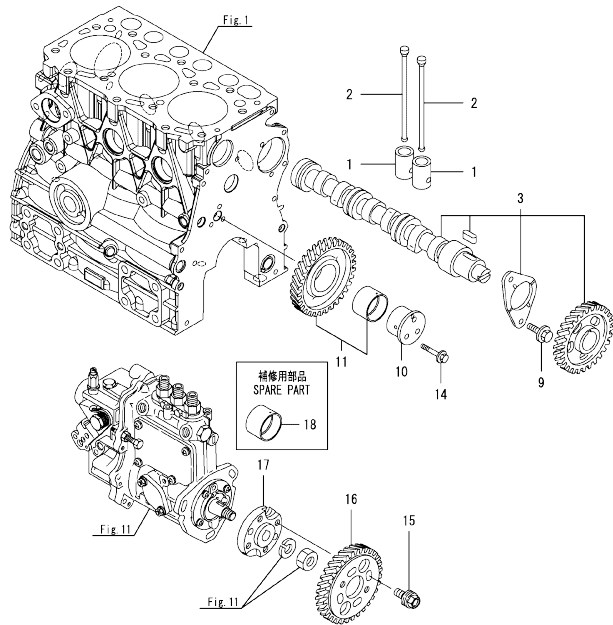
No.	Lev.	Parts No.	Description	Q'ty						I	R
				(A)	(B)	(C)	(D)	(E)	(F)		
1	1	119761-12020	PIPE, AIR INTAKE	1	1						
2	1	119540-12510	CLEANER ASSY, AIR	1							
2-1	1	119540-12520	AIR CLEANER ASSY	1	1						N
			(A=E08042)								
3	2	119233-12700	ELEMENT	1	1						
4	2	119515-12520	ELEMENT	1							
4-1	2	119655-12560	ELEMENT	1	1						N
			(A=E67187)								
5	2	119336-12570	COVER ASSY	1	1						
6	2	119808-12540	VALVE, UNLOADER	1	1						
7	2	105027-12580	RING	1	1						
8	2	119140-12680	INDICATOR	1	1						
9	2	129612-12650	LABEL, MARKING	1	1						
10	1	119515-12600	BRACKET, AIR CLEANER	1	1						
11	1	23000-054000	CLAMP, 54	2	2						
12	1	26013-080222	BOLT, M8X 22	2	2						
13	1	26106-060142	BOLT, M6X 14 PLATED	3	3						
14	1	26106-080162	BOLT, M8X 16 PLATED	1	1						
15	1	119515-12520	ELEMENT	1	1						
16	1	119233-12700	ELEMENT	1	1						

Fig.6. EXHAUST MANIFOLD & SILENCER



No.	Lev.	Parts No.	Description	Q'ty						I	R
				(A)	(B)	(C)	(D)	(E)	(F)		
1	1	119717-13109	MANIFOLD, EXHAUST	1							
1-1	1	119718-13100	MANIFOLD, EXHAUST	1							S
(A=E08042)											
2	1	119717-13110	GASKET	1	1						
3	1	119717-13600	STUD, M8X50	2	2						
4	1	119802-13620	BOLT, M8X50	4							
5	1	119131-18320	STUD, M8X22	4	4						
6	1	26306-080002	NUT, M8	2	2						
7	1	119515-13200	GASKET, SILENCER	1							Z
(A=E08042)											
8	1	119717-13550	SILENCER	1							Z
(A=E08042)											
9	1	26106-080252	BOLT, M8X 25 PLATED	2							Z
(A=E08042)											
10	1	26306-080002	NUT, M8	4							Z
(A=E08042)											
11	1	119515-13200	GASKET, SILENCER	1	2						
12	1	119740-13100	MANIFOLD, EXHAUST		1						
13	1	119802-13620	BOLT, M8X50		2						
14	1	123900-13620	BOLT, M8X70		2						

Fig.7. CAMSHAFT & DRIVING GEAR



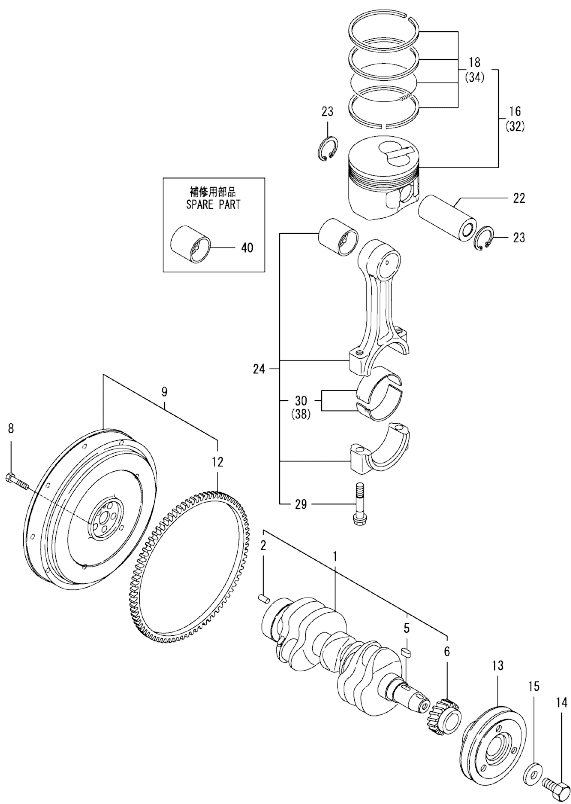
(A)=3TNV70-SSU
(B)=3TNV70-SSU1
(C)=

(D)=
(E)=
(F)=

No.	Lev.	Parts No.	Description	Q'ty						I	R
				(A)	(B)	(C)	(D)	(E)	(F)		
1	1	119620-14200	TAPPET	6	6						
2	1	119515-14400	ROD, PUSH	6	6						
3	1	119515-14580	CAMSHAFT ASSY	1							
3-1	1	119515-14581	CAMSHAFT ASSY	1	1						R
9	1	26106-060122	BOLT, M6X 12 PLATED	2	2						
10	1	119717-25050	SHAFT, IDLE	1	1						
11	1	119717-25100	GEAR ASSY, IDLE	1							
11-1	1	119717-25101	GEAR ASSY, IDLE	1	1						R
14	1	26106-060352	BOLT, M6X 35 PLATED	3	3						
15	1	129150-25301	BOLT	4	4						
16	1	119717-25930	GEAR, PUMP	1	1						
17	1	119717-51150	FLANGE	1	1						
18	1	119717-25910	BUSH, IDLE GEAR	1							1
18-1	1	119717-25911	BUSH, IDLE GEAR	1	1						N 1

Remarks
(1)Spare parts.

OCW10-M06301 3TNV70-SSU/3TNV70-SSU1
 Fig.8. CRANKSHAFT & PISTON



OCW10-M06301 Fig.8

(A)=3TNV70-SSU
 (B)=3TNV70-SSU1
 (C)=

(D)=
 (E)=
 (F)=

No.	Lev.	Parts No.	Description	Q'ty						I	R
				(A)	(B)	(C)	(D)	(E)	(F)		
1	1	119515-21700	CRANKSHAFT ASSY	1	1						
2	2	129100-01580	PIN, 8X16	1	1						
5	2	22512-040120	KEY, 4X 12	1	1						
6	2	119717-21200	GEAR, CRANKSHAFT	1	1						
8	1	119620-21500	BOLT, FLYWHEEL	5	5						
9	1	119515-21580	FLYWHEEL ASSY	1	1						
12	2	124950-21600	GEAR, RING	1	1						
13	1	119717-21650	V-PULLEY	1	1						
14	1	119621-21680	BOLT, FLANGE 12X1.25	1							
14-1	1	119621-21681	BOLT, FLANGE 12X1.25	1	1						R
(A=E67187)											
15	1	119620-21941	WASHER	1	1						
16	1	119515-22080	PISTON ASSY	3	3						
18	2	119515-22500	RING SET, PISTON	3	3						
22	1	119515-22300	PIN, PISTON	3	3						
23	1	22252-000220	RING, 22	6	6						
24	1	119515-23000	ROD ASSY, CONNECTING	3	3						
29	2	119717-23200	BOLT, CONNECTING ROD	6	6						
30	2	119515-23600	BEARING, CRANK PIN	3							
30-1	2	119515-23601	BEARING, CRANK PIN	3	3						R
(A=E24480)											
32	1	119515-22900	PISTON ASSY, 0.25 OS	3	3						1
34	2	119515-22550	RING SET, 0.25 OS	3	3						1
38	1	119515-23610	METAL ASSY, 0.25	3							3
38-1	1	119515-23611	METAL ASSY, 0.25	3	3						R 3
(A=E24480)											
40	1	119717-23910	BEARING, PISTON PIN	3	3						2

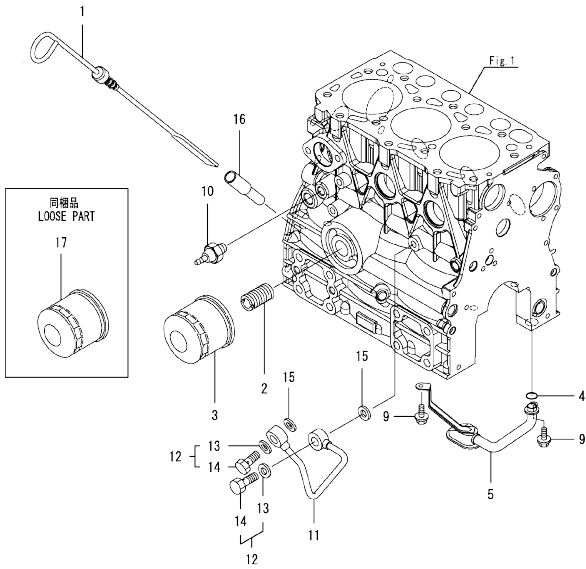
Remarks
 (1)Over-sized(O.S.=0.25) parts.
 (2)Spare parts.
 (3)Under-sized(U.S.=0.25) parts.

Fig.9. LUB. OIL SYSTEM

(A)=3TNV70-SSU
(B)=3TNV70-SSU1
(C)=

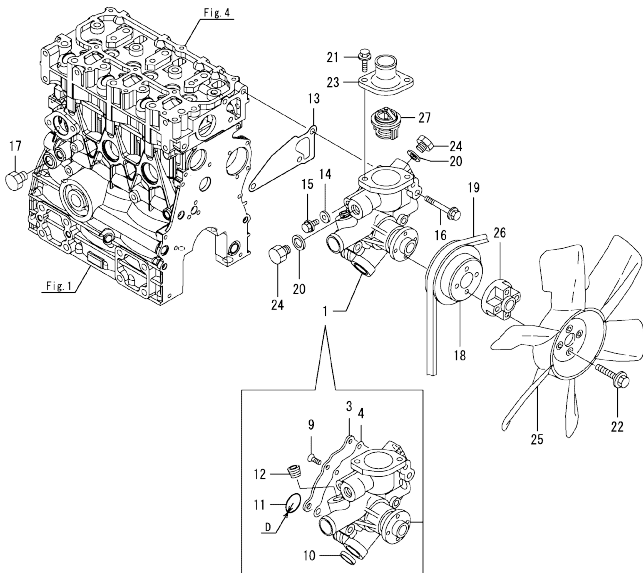
(D)=
(E)=
(F)=

No.	Lev.	Parts No.	Description	Q'ty						I	R
				(A)	(B)	(C)	(D)	(E)	(F)		
1	1	119515-34801	DIPSTICK, OIL	1	1						
2	1	129100-35140	STUD	1							
2-1	1	119717-35140	BOLT	1	1						N
(A=E67187)											
3	1	119305-35151	FILTER ASSY, D68XL65	1	1						1
4	1	119717-32060	O-RING, P15.0	1	1						
5	1	119515-35080	PIPE ASSY, OIL INLET	1	1						
9	1	26106-060102	BOLT, M6X 10 PLATED	2	2						
10	1	114250-39450	SWITCH, 0.5KG	1	1						
11	1	119717-39210	PIPE, OIL	1	1						
12	1	129005-59830	BOLT ASSY, JOINT M8	2	2						
13	2	22190-080002	WASHER, SEAL 8	2	2						
14	2	23857-030000	BOLT, JOINT 3	2	2						
15	1	22190-080002	WASHER, SEAL 8	2	2						
16	1	121520-34810	GUIDE, DIPSTICK	1	1						
17	1	119305-35151	FILTER ASSY, D68XL65	1	1						



Remarks
(1)Spare parts.

Fig.10. COOLING WATER SYSTEM



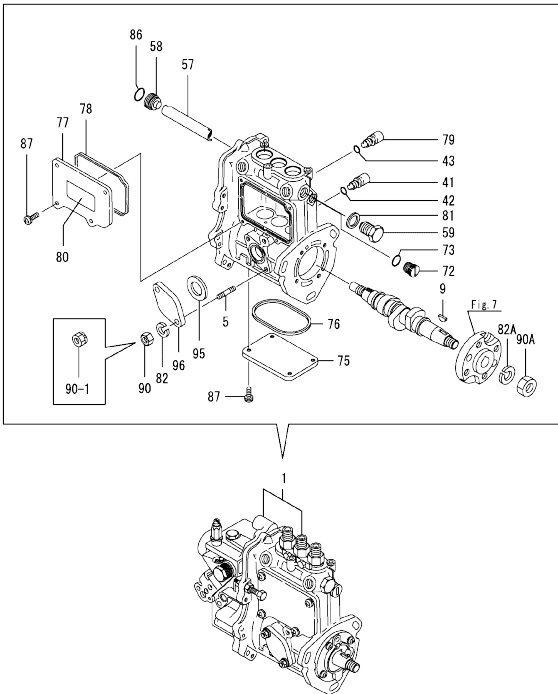
No.	Lev.	Parts No.	Description	Q'ty						I	R
				(A)	(B)	(C)	(D)	(E)	(F)		
1	1	119540-42000	PUMP ASSY, WATER	1							
1-1	1	119C10-42000	PUMP ASSY, WATER	1	1						N
(A=E87260)											
1-2	1	119C10-42001	PUMP ASSY, CW	1	1						N
(A=*2019.01) (B=*2019.01)											
3	2	119515-42041	COVER	1	1						
4	2	119717-42031	GASKET	1	1						
9	2	26577-060122	SCREW, M6X12	4	4						
10	2	27241-250000	PLUG, 25	1	1						
10-1	2	119717-42050	PLUG, 25	1	1						N
(A=*2019.01) (B=*2019.01)											
11	2	119717-42320	O-RING, P26	1							
11-1	2	119C10-42320	O-RING, 2028	1	1						S
(A=E87260)											
12	2	129916-49740	PLUG, R3/8	1	1						
13	1	119515-42020	GASKET, WATER PUMP	1	1						
14	1	23414-080000	GASKET, 8X1.0	1	1						
15	1	26106-080122	BOLT, M8X 12 PLATED	1	1						
16	1	26106-080502	BOLT, M8X 50 PLATED	3	3						
17	1	171056-49120	PLUG, DRAIN R1/4	1	1						
18	1	119740-42350	V-PULLEY, D=90	1	1						
19	1	121522-42290	V-BELT, A34.5	1							
19-1	1	25132-003500	V-BELT, A35	1							N
(A=E04739)											
19-2	1	25152-003500	V-BELT, A35	1	1						N
(A=E67187)											
20	1	124465-44950	GASKET, 16	2	2						
21	1	26106-080202	BOLT, M8X 20 PLATED	2	2						
22	1	26106-060352	BOLT, M6X 35 PLATED	4	4						
23	1	129350-49530	COVER, THERMOSTAT	1	1						
24	1	121450-42450	PLUG, M16	2	2						
25	1	119653-44740	FAN, COOLING D=320	1	1						
26	1	121267-44760	SPACER, FAN	1	1						
27	1	119717-49800	THERMOSTAT, 71C	1	1						

Remarks
 (1)D=No.11 : 3.5mm, 11-1 : 2.4mm.

Fig.11. FUEL INJECTION PUMP

(A)=3TNV70-SSU
(B)=3TNV70-SSU1
(C)=

(D)=
(E)=
(F)=

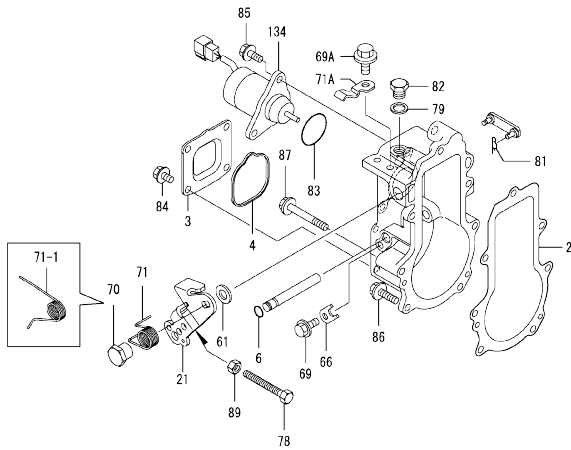


No.	Lev.	Parts No.	Description	Q'ty						I	R
				(A)	(B)	(C)	(D)	(E)	(F)		
1	1	719540-51340	PUMP ASSY, INJECTION	1							1
1-1	1	719540-51470 (A=E47293)	FIE ASSY(3TNV70-SSU)	1	1						N 1
5	2	129155-51020	STUD		2	2					
9	2	122710-51090	KEY		1	1					
41	2	158600-51270	STOPPER, TAPPET		3	3					
42	2	129155-51280	O-RING, S6		3	3					
43	2	129155-51280	O-RING, S6		1	1					
57	2	129155-51400	DEFLECTOR		1	1					
58	2	158600-51410	PLUG, DEFLECTOR		1	1					
59	2	158600-51420	PLUG, DEFLECTOR		1	1					
72	2	158600-51570	PLUG		1	1					
73	2	129155-51580	O-RING		1	1					
75	2	129155-51701	COVER		1	1					
76	2	119717-51710	GASKET		1						
76-1	2	119717-51711 (A=E12001)	GASKET		1	1					N
77	2	119717-51750	COVER		1	1					
78	2	119717-51760	GASKET		1						
78-1	2	119717-51761 (A=E12001)	GASKET		1	1					N
79	2	158600-51790	STOOPER, RACK		1	1					
80	2	129156-51910 (A=E12001)	LABEL, CAUTION		1						Z
81	2	22190-160002	WASHER, SEAL 16		1	1					
82	2	22217-060000 (A=E67187)	WASHER, SPRING 6		2						Z
82A	2	22217-120000	WASHER, SPRING 12		1	1					
86	2	119717-51420	O-RING		1	1					
87	2	26022-050122	SCREW, M5X12		8	8					
90	2	26716-060002	NUT, M6		2						
90-1	2	119717-51860 (A=E67187)	NUT, M6		2	2					N
90A	2	26716-120002	NUT, M12		1	1					
95	2	129155-52051	GASKET		1	1					
96	2	129100-52200	COVER		1	1					

Remarks

(1)Governor(Fig.12) is incorporated in this Fuel Injection Pump(No.1).

Fig.12. GOVERNOR



(A)=3TNV70-SSU
(B)=3TNV70-SSU1
(C)=

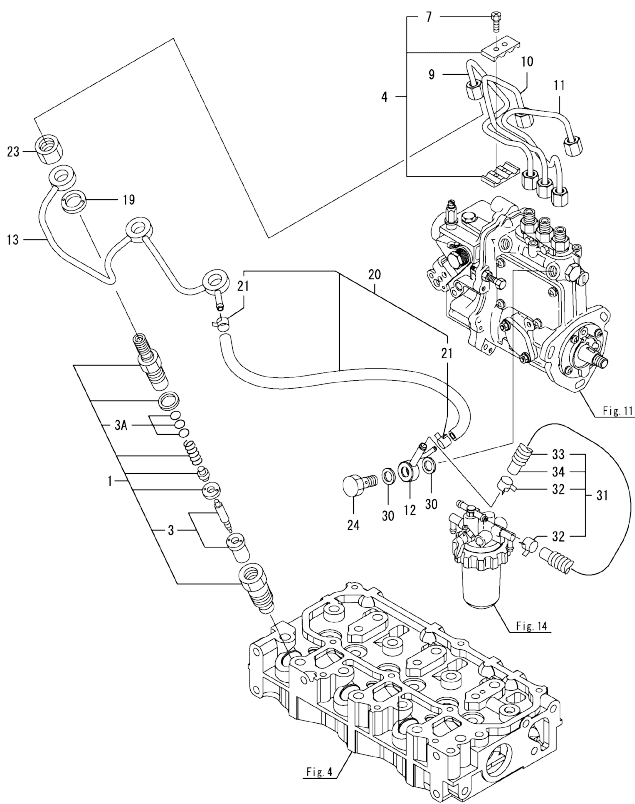
(D)=
(E)=
(F)=

No.	Lev.	Parts No.	Description	Qty						I	R
				(A)	(B)	(C)	(D)	(E)	(F)		
2	2	119717-61050	GASKET	1	1						
3	2	119717-61060	COVER, GOVERNOR CASE	1	1						
4	2	119717-61070	GASKET	1	1						
6	2	129155-51280	O-RING, S6	1	1						
21	2	119515-61440	LEVER, CONTROL	1	1						
61	2	158552-61700	SHIM SET	1	1						
66	2	119660-61901	RETAINER, SHAFT	1	1						
69	2	26106-060102	BOLT, M6X 10 PLATED	1	1						
69A	2	26106-060102	BOLT, M6X 10 PLATED	1	1						W
(A=E08042)											
70	2	129255-61410	NUT, LOCK	1	1						
71	2	129255-61420	SPRING, RETURN	1	1						
71-1	2	119534-61420	SPRING	1	1						S
(A=E08042)											
71A	2	119534-61430	RETAINER	1	1						W
(A=E08042)											
78	2	129155-61460	BOLT, IDLE	1	1						
79	2	22190-100002	WASHER, SEAL 10	1	1						
81	2	22372-040000	PIN, SNAP 4	1	1						
82	2	23887-100002	PLUG, 10	1	1						
82-1	2	119717-51930	PLUG, M10	1	1						R
(A=E72435)											
83	2	24341-000280	O-RING, 1AS28.0	1	1						
83-1	2	158552-61900	O-RING	1	1						N
(A=E12001)											
84	2	26106-060102	BOLT, M6X 10 PLATED	4	4						
85	2	26106-060142	BOLT, M6X 14 PLATED	2	2						
86	2	26106-060202	BOLT, M6X 20 PLATED	4	4						
87	2	26106-060452	BOLT, M6X 45 PLATED	3	3						
89	2	26756-060002	NUT, LOCK M6	1	1						
134	2	119653-77950	SOLENOID, STOP	1	1						
134-1	2	119233-77932	SOLENOID, STOP	1	1						N
(A=E47293)											

Remarks

* This figure(Governor) is incorporated in the Fuel Injection Pump(Fig.11).

Fig.13. FUEL INJECTION VALVE



(A)=3TNV70-SSU
(B)=3TNV70-SSU1
(C)=

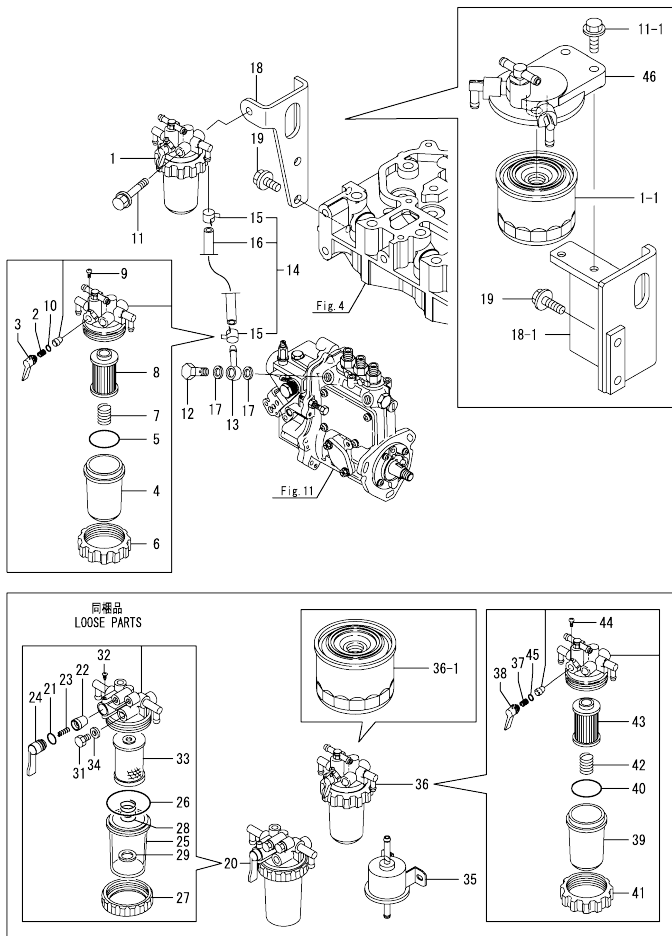
(D)=
(E)=
(F)=

No.	Lev.	Parts No.	Description	Q'ty						I	R
				(A)	(B)	(C)	(D)	(E)	(F)		
1	1	119517-53001	VALVE ASSY,INJECTION	3	3						
3	2	119517-53010	NOZZLE ASSY	3	3						
3A	2	129901-53800	SHIM SET, ADJUSTING	2	2						
4	1	129150-59120	RETAINER, PIPE	1	1						
7	2	129150-59131	BOLT, M4X14	2	2						
9	1	119546-59810	PIPE ASSY, INJECTION	1	1						
10	1	119546-59820	PIPE ASSY, INJECTION	1	1						
11	1	119546-59830	PIPE ASSY, INJECTION	1	1						
12	1	119840-59570	JOINT	1							
12-1	1	119740-59590	JOINT, OVER FLOW	1	1					F	1
(A=E13246)											
13	1	119515-59540	PIPE ASSY, RETURN	1	1						
19	1	129901-59560	GASKET	3	3						
20	1	119540-59570	PIPE ASSY, RETURN	1							
20-1	1	119744-59560	PIPE ASSY, RETURN	1	1					F	1
(A=E13246)											
21	2	124066-59100	CLIP, HOSE 8	2	2						
23	1	119620-59700	NUT, NOZZLE	3	3						
24	1	119813-59950	VALVE ASSY, CHECK	1	1						
30	1	22190-120002	WASHER, SEAL 12	2	2						
31	1	129950-59211	PIPE, FUEL	1	1						
32	2	124766-59050	CLIP, HOSE 11.5	2	2						
33	2	129950-59221	TUBE, CORRUGATED	1	1						
34	2	105025-59530	PIPE, FUEL D13X400	1	1						

Remarks

(1)Interchangeable by simultaneous replacement with No.12-1 & 20-1.

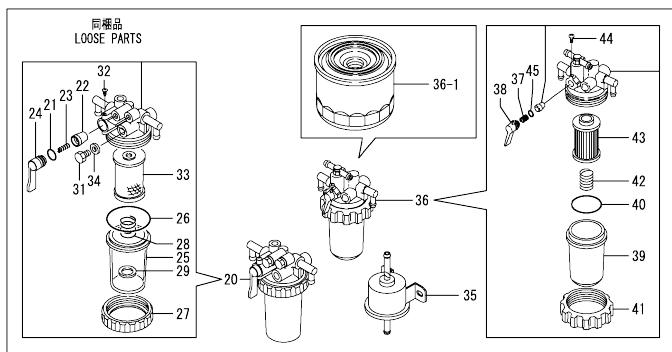
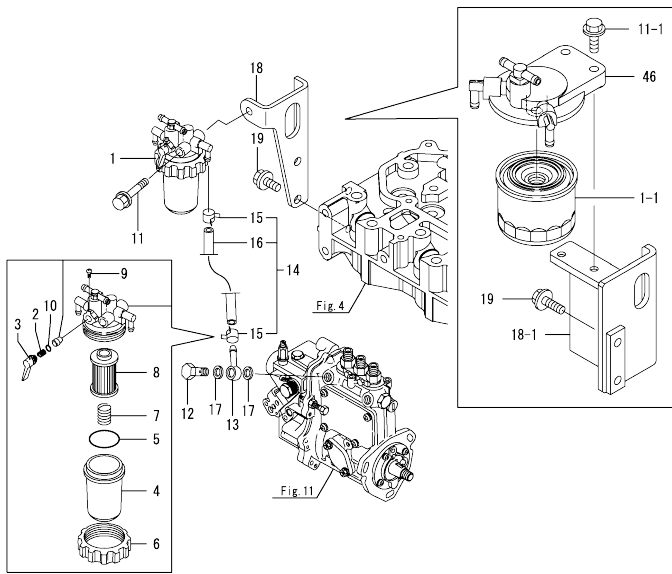
Fig.14. FUEL PIPE



No.	Lev.	Parts No.	Description	Qty						I	R
				(A)	(B)	(C)	(D)	(E)	(F)		
1	1	119833-55620	FILTER ASSY, FUEL	1							
1-1	1	119802-55800 (A=E08042)	FILTER, FUEL	1							S
1-2	1	119802-55801 (A=E12001)	FILTER, FUEL	1	1						R
2	2	104200-55330	SPRING, VALVE		1						Z
3	2	119810-55340 (A=E08042)	LEVER		1						Z
4	2	121254-55510 (A=E08042)	COVER		1						Z
5	2	102103-55520 (A=E08042)	O-RING		1						Z
6	2	110250-55610 (A=E08042)	RING, RETAINING		1						Z
7	2	121250-55620 (A=E08042)	SPRING		1						Z
8	2	119810-55650 (A=E08042)	ELEMENT		1						Z
9	2	104200-55750 (A=E08042)	SCREW, M4		1						Z
10	2	24311-240100 (A=E08042)	O-RING, 1AP10A		1						Z
11	1	26014-080702	BOLT, M8X 70		1						
11-1	1	26106-080302 (A=E08042)	BOLT, M8X 30 PLATED	2	2						S
12	1	103854-39140	BOLT, PIPE JOINT	1	1						
13	1	101304-59020	JOINT, PIPE 12	1	1						
14	1	129210-59080	PIPE ASSY, FUEL	1	1						
15	2	124766-59050	CLIP, HOSE 11.5	2	2						
16	2	129136-59110	PIPE, D13/7.5X270	1	1						
17	1	22190-120002	WASHER, SEAL 12	2	2						
18	1	119717-55650	BRACKET, FILTER	1							
18-1	1	119540-55650 (A=E08042)	BRACKET, FILTER	1							S
18-2	1	119540-55651 (A=E33897)	BRACKET, FILTER	1	1						N
19	1	26106-080162	BOLT, M8X 16 PLATED	2	2						
20	1	129335-55700	SEPARATOR ASSY, WATER	1	1						
20-1	1	129335-55701 (A=E83352)	SEPARATOR ASSY, WATER	1	1						N
21	2	24311-240100	O-RING, 1AP10A		1						
22	2	104200-55321	VALVE, TAPER	1	1						
23	2	104200-55330	SPRING, VALVE	1	1						
24	2	104200-55341	HANDLE	1	1						
25	2	124064-55510	COVER	1	1						
26	2	102103-55520	O-RING	1	1						
27	2	110250-55610	RING, RETAINING	1	1						
28	2	121257-55720	SPRING	1	1						
29	2	121257-55731	FLOAT	1	1						
31	2	101720-55750	PLUG, 6	2	2						

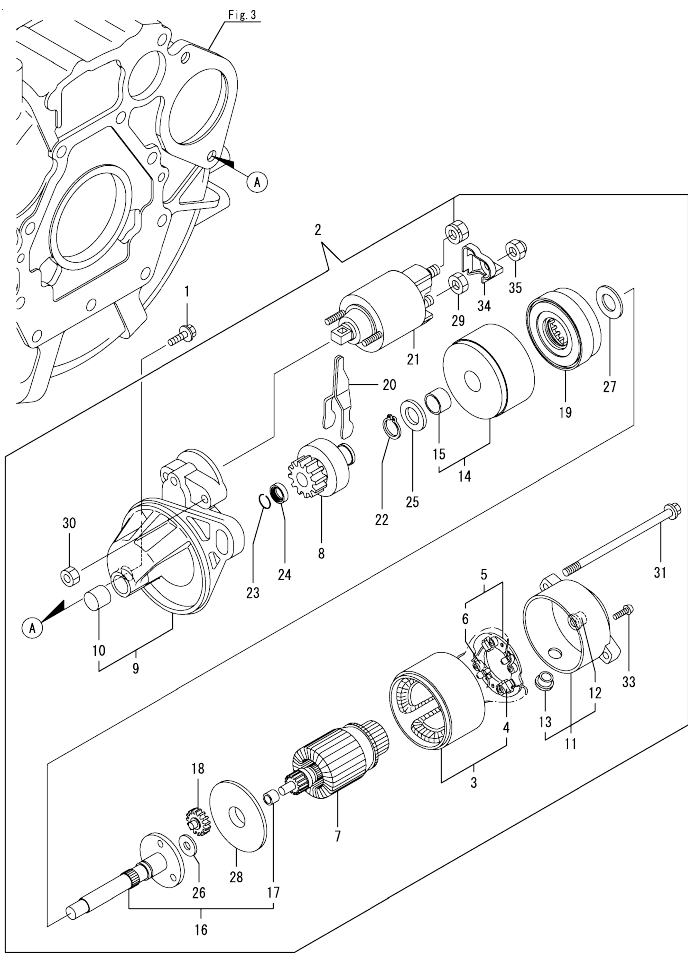
N:Old $\frac{New}{Old}$ New, Q:Old $\frac{New}{Old}$ New, R:Old $\frac{New}{Old}$ New, S:Old $\frac{New}{Old}$ New, W:Add, Z:Discontinued, F:Interchangeable by set, K:Qty Change
 ++ CONTINUE ++
 Copyright (C) 2014 YANMAR GLOBAL CS CO., LTD. All Rights Reserved.

Fig.14. FUEL PIPE



No.	Lev.	Parts No.	Description	Q'ty						I	R
				(A)	(B)	(C)	(D)	(E)	(F)		
32	2	104200-55750	SCREW, M4	1	1						
33	2	171081-55910	SCREEN	1	1						
34	2	23418-060000	GASKET, 6X1.0	2	2						
35	1	119225-52102	PUMP ASSY, FUEL FEED	1	1						N
35-1	1	129612-52100	PUMP ASSY, FUEL FEED	1	1						
(A=E67187)											
36	1	119833-55620	FILTER ASSY, FUEL	1							
36-1	1	119802-55801	FILTER, FUEL	1	1						S
(A=E08042)											
37	2	104200-55330	SPRING, VALVE	1							Z
(A=E08042)											
38	2	119810-55340	LEVER	1							Z
(A=E08042)											
39	2	121254-55510	COVER	1							Z
(A=E08042)											
40	2	102103-55520	O-RING	1							Z
(A=E08042)											
41	2	110250-55610	RING, RETAINING	1							Z
(A=E08042)											
42	2	121250-55620	SPRING	1							Z
(A=E08042)											
43	2	119810-55650	ELEMENT	1							Z
(A=E08042)											
44	2	104200-55750	SCREW, M4	1							Z
(A=E08042)											
45	2	24311-240100	O-RING, 1AP10A	1							Z
(A=E08042)											
46	1	119934-55610	BRACKET, FILTER	1							W
(A=E08042)											
46-1	1	119934-55611	BRACKET, FILTER	1	1						N
(A=E47293)											

Fig.15. STARTER MOTOR

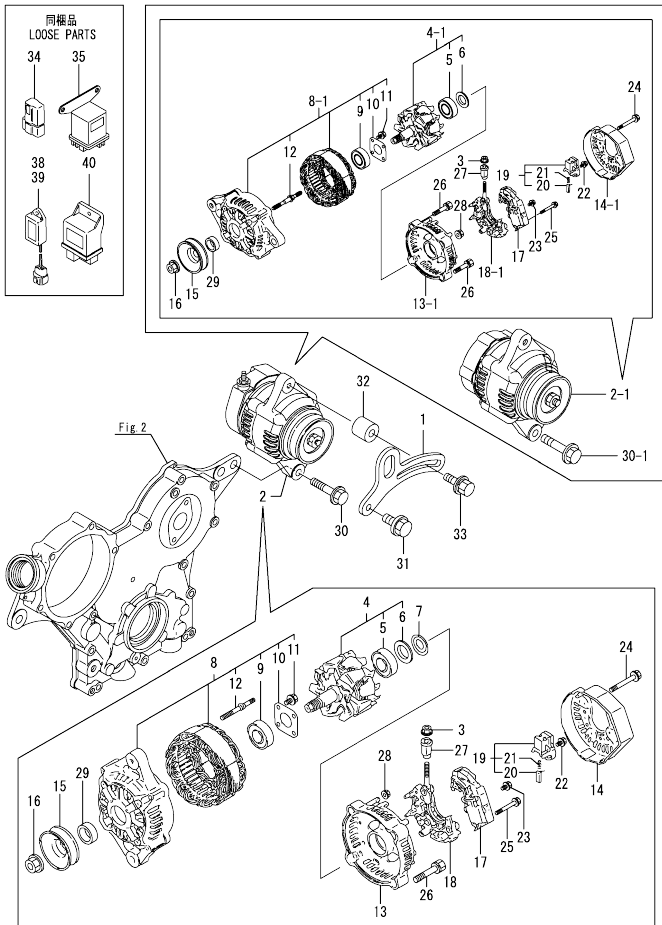


(A)=3TNV70-SSU
(B)=3TNV70-SSU1
(C)=

(D)=
(E)=
(F)=

No.	Lev.	Parts No.	Description	Q'ty						I	R
				(A)	(B)	(C)	(D)	(E)	(F)		
1	1	26106-100252	BOLT, M10X 25 PLATED	2	2						
2	1	119515-77010	STARTER	1	1						
3	2	X0281007680	YOKE ASSY	1	1						
4	3	X0280996180	STARTER KIT	2	2						
5	2	X0285105190	HOLDER ASSY	1	1						
6	3	X0285205030	SPRING	4	4						
7	2	X0282005871	ARMATURE ASSY	1	1						
8	2	X0283006960	CLUTCH ASSY	1	1						
9	2	X4284001590	HOUSING ASSY	1	1						
10	3	X9491050100	BEARING, NEEDLE	1	1						
11	2	X0285007030	FRAME ASSY	1	1						
12	3	X9491040990	BEARING	1	1						
13	3	X0280626010	COVER	1	1						
14	2	X0284105040	BEARING ASSY	1	1						
15	3	X9491034330	BEARING	1	1						
16	2	X0286105010	SHAFT ASSY	1	1						
17	3	X9491034320	BEARING	1	1						
18	2	X0286305010	GEAR	3	3						
19	2	X0286355010	GEAR	1	1						
20	2	X0287405140	LEVER	1	1						
21	2	X0534007800	SWITCH ASSY	1	1						
21-1	2	X2534000090	SWITCH ASSY	1	1						N
		(A=2012.03)									
22	2	X9055715000	RING	1	1						
23	2	X9490721360	RING	1	1						
24	2	X0280210331	NUT	1	1						
25	2	X9490138110	WASHER	1	1						
26	2	X9490138090	WASHER	1	1						
27	2	X9490138100	WASHER	1	1						
28	2	X0284525010	PLATE	1	1						
29	2	X9490562360	NUT	1	1						
30	2	X9490560750	NUT	2	2						
31	2	X9490423520	BOLT, THROUGH	2	2						
33	2	X9490065670	SCREW, M4X6	2	2						
34	2	X0280335360	COVER, TERMINAL	1	1						
34-1	2	X1280330020	COVER, TERMINAL	1	1						N
		(A=2012.03)									
35	2	X1289510130	NUT	1	1						

Fig.16. GENERATOR



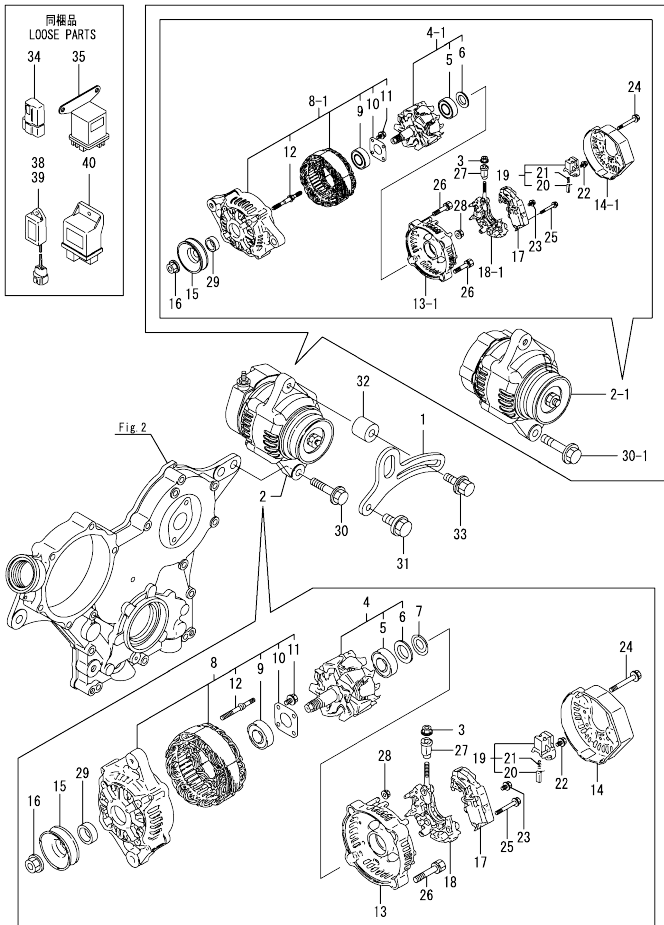
(A)=3TNV70-SSU
(B)=3TNV70-SSU1
(C)=

(D)=
(E)=
(F)=

No.	Lev.	Parts No.	Description	Q'ty						I	R
				(A)	(B)	(C)	(D)	(E)	(F)		
1	1	119230-77330	ADJUSTER	1							
2	1	129423-77200	GENERATOR, 12V-40A	1							
2-1	1	119626-77210	ALTERNATOR, 12V-55A	1	1						N
(A=E23604)											
3	2	X9490561001	NUT	1	1						
4	2	119620-77380	ROTOR ASSY	1							
4-1	2	129052-77380	ROTOR ASSY	1	1						S
(A=E23604)											
5	3	123501-79240	BEARING, BALL	1	1						
6	3	119620-79250	COVER	1	1						
7	2	119620-79360	WASHER, THRUST	1							Z
(A=E23604)											
8	2	119620-77421	FRAME ASSY, DRIVE	1							
8-1	2	129052-77422	FRAME ASSY	1	1						S
(A=E23604)											
9	3	119620-79200	BEARING, BALL	1	1						
10	3	119620-79210	PLATE, RETAINER	1	1						
11	3	119620-79220	SCREW	4	4						
12	3	119620-79230	STUD	2	2						
13	2	119620-77440	FRAME ASSY	1							
13-1	2	128401-77440	FRAME	1	1						S
(A=E23604)											
14	2	129240-79300	COVER	1							
14-1	2	119626-77450	COVER	1	1						S
(A=E23604)											
15	2	119620-77461	PULLEY	1	1						
16	2	119620-77471	NUT	1	1						
17	2	129423-77710	REGULATOR ASSY	1	1						
18	2	119620-79260	HOLDER	1							
18-1	2	129052-79260	HOLDER	1	1						S
(A=E23604)											
19	2	129052-79270	HOLDER, BRUSH	1	1						
20	3	119620-77480	BRUSH ASSY	2	2						
21	3	119620-79280	SPRING	2	2						
22	2	119620-79290	SCREW	6	6						
23	2	119620-79300	SCREW	1	1						
24	2	119620-79310	BOLT	3	3						
25	2	119620-79320	SCREW	2	2						
26	2	119620-79330	BOLT	2	2						
27	2	119620-79340	BUSH, INSULATION	1	1						
28	2	119620-79350	NUT	2	2						
29	2	119620-77490	COLLAR	1	1						
30	1	26106-100452	BOLT, M10X 45 PLATED	1							
30-1	1	26106-100502	BOLT, M10X 50 PLATED	1	1						S
(A=E23604)											
31	1	26106-080202	BOLT, M8X 20 PLATED	1	1						
32	1	124732-77340	SPACER	1	1						
33	1	129972-77341	BOLT, ADJUSTER L=50	1	1						
34	1	119643-66900	DIODE	1	1						
35	1	119650-77910	RELAY ASSY, GLOW	1							
35-1	1	119650-77911	RELAY ASSY, GLOW	1	1						N

N:Old $\frac{100}{100}$ New, Q:Old $\frac{100}{100}$ New, R:Old $\frac{100}{100}$ New, S:Old $\frac{100}{100}$ New, W:Add, Z:Discontinued, F:Interchangeable by set, K:Q'ty Change
 ++ CONTINUE ++
 Copyright (C) 2014 YANMAR GLOBAL CS CO., LTD. All Rights Reserved.

Fig.16. GENERATOR

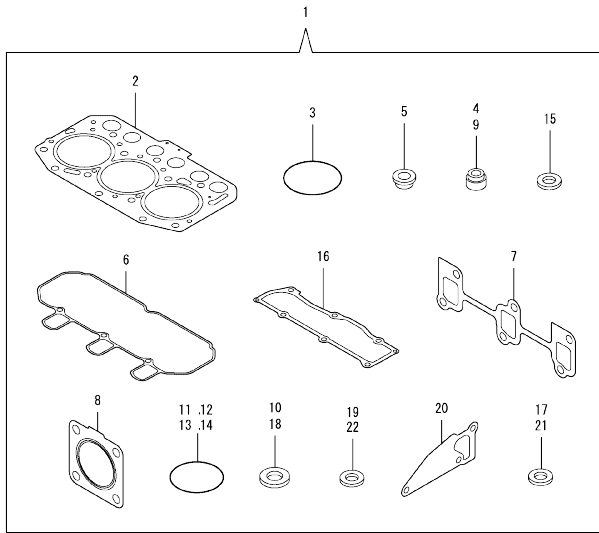


(A)=3TNV70-SSU
(B)=3TNV70-SSU1
(C)=

(D)=
(E)=
(F)=

No.	Lev.	Parts No.	Description	Q'ty						I	R
				(A)	(B)	(C)	(D)	(E)	(F)		
		(A=E72435)									
38	1	129155-77925	TIMER		1	1					
39	1	129211-77920	TIMER		1	1					
40	1	119802-77200 (A=E67187)	RELAY, SAFETY		1	1					W

Fig.17. GASKET SET



(A)=3TNV70-SSU
(B)=3TNV70-SSU1
(C)=

(D)=
(E)=
(F)=

No.	Lev.	Parts No.	Description	Q'ty						I	R
				(A)	(B)	(C)	(D)	(E)	(F)		
1	1	719515-92690	GASKET SET	1	1						1
2	2	119515-01330	GASKET, HEAD	1							
2-1	2	119515-01331	GASKET, HEAD	1	1						N
(A=E83352)											
3	2	121850-51960	O-RING	1	1						
4	2	119717-11340	SEAL, VALVE STEM	3	3						
5	2	129901-11450	PROTECTOR, NOZZLE	3	3						
6	2	119515-11310	GASKET, BONNET	1	1						
7	2	119717-13110	GASKET	1	1						
8	2	119515-13200	GASKET, SILENCER	2	2						
9	2	119717-11350	SEAL, VALVE STEM	3	3						
10	2	22190-080002	WASHER, SEAL 8	4	4						
11	2	24311-000320	O-RING, 1AP32.0	2	2						
12	2	119717-32060	O-RING, P15.0	1	1						
13	2	119624-32040	O-RING, P12.0	1	1						
14	2	119717-32050	O-RING, P17.0	3	3						
15	2	119600-11460	GASKET, NOZZLE	6	6						
16	2	119515-11330	GASKET	1	1						
17	2	22190-160002	WASHER, SEAL 16	1	1						
18	2	22190-120002	WASHER, SEAL 12	4	4						
19	2	129901-59560	GASKET	3	3						
20	2	119515-42020	GASKET, WATER PUMP	1	1						
21	2	23414-080000	GASKET, 8X1.0	1	1						
22	2	124465-44950	GASKET, 16	2	2						

Remarks

(1)Optional parts.

Parts No. Index

Parts No.	Fig. No.	Ref. No.	Parts No.	Fig. No.	Ref. No.	Parts No.	Fig. No.	Ref. No.	Parts No.	Fig. No.	Ref. No.
101304-59020	14	13	119515-11320	4	49	119600-11460	17	15	119717-02411	1	13 -1
101720-55750	14	31	119515-11330	4	50	119620-01750	3	13	119717-02930	1	27 -1
102103-55520	14	5		17	16	119620-02020	1	10	119717-03031	4	38
		26	119515-11380	4	37	119620-14200	7	1	119717-03070	4	39
		40	119515-11740	4	6	119620-21500	8	8			40
103854-39140	14	12	119515-11800	4	68	119620-21941	8	15	119717-11131	4	17
104200-55321	14	22	119515-12520	5	4	119620-59700	13	23	119717-11190	4	19
104200-55330	14	2			15	119620-77380	16	4	119717-11260	4	27
		23	119515-12600	5	10	119620-77421	16	8	119717-11340	4	20
		37	119515-13200	6	7	119620-77440	16	13			17 4
104200-55341	14	24			11	119620-77461	16	15	119717-11350	4	21
104200-55750	14	9			17 8	119620-77471	16	16			17 9
		32	119515-14400	7	2	119620-77480	16	20	119717-11650	4	29
		44	119515-14580	7	3	119620-77490	16	29	119717-13109	6	1
105010-11490	4	5	119515-14581	7	3 -1	119620-79200	16	9	119717-13110	6	2
105025-59530	13	34	119515-21580	8	9	119620-79210	16	10			17 7
105027-12580	5	7	119515-21700	8	1	119620-79220	16	11	119717-13550	6	8
105311-01090	1	6	119515-22080	8	16	119620-79230	16	12	119717-13600	6	3
105425-01690	3	7	119515-22300	8	22	119620-79250	16	6	119717-21200	8	6
110250-55610	14	6	119515-22500	8	18	119620-79260	16	18	119717-21650	8	13
		27	119515-22500	8	34	119620-79280	16	21	119717-23200	8	29
		41	119515-22900	8	32	119620-79290	16	22	119717-23910	8	40
114250-39450	9	10	119515-23000	8	24	119620-79300	16	23	119717-25050	7	10
119131-18320	6	5	119515-23600	8	30	119620-79310	16	24	119717-25100	7	11
119140-12680	5	8	119515-23601	8	30 -1	119620-79320	16	25	119717-25101	7	11 -1
119225-52102	14	35	119515-23610	8	38	119620-79330	16	26	119717-25910	7	18
119230-77330	16	1	119515-23611	8	38 -1	119620-79340	16	27	119717-25911	7	18 -1
119233-12700	5	3	119515-34801	9	1	119620-79350	16	28	119717-25930	7	16
		16	119515-35080	9	5	119620-79360	16	7	119717-32050	2	21
119233-77932	12	134 -1	119515-42020	10	13	119621-21680	8	14			17 14
119285-01990	1	9			17 20	119621-21681	8	14 -1	119717-32060	9	4
119285-11990	4	13	119515-42041	10	3	119623-01250	1	7			17 12
119305-35151	9	3	119515-59540	13	13	119624-32040	2	20	119717-32080	2	11
		17	119515-61440	12	21			17 13	119717-32100	2	10
119336-12570	5	5	119515-77010	15	2	119626-77210	16	2 -1	119717-32110	2	15
119515-01200	1	30	119517-53001	13	1	119626-77450	16	14 -1	119717-32120	2	16
119515-01330	1	31	119517-53010	13	3	119643-66900	16	34	119717-35140	9	2 -1
		17 2	119534-61420	12	71 -1	119650-77910	16	35	119717-39210	9	11
119515-01331	1	31 -1	119534-61430	12	71 A	119650-77911	16	35 -1	119717-42031	10	4
		17 2 -1	119540-01770	3	6	119653-44740	10	25	119717-42050	10	10 -1
119515-01601	3	2	119540-12510	5	2	119653-77950	12	134	119717-42320	10	11
119515-01720	3	4	119540-12520	5	2 -1	119655-12560	5	4 -1	119717-49800	10	27
119515-11100	4	15	119540-42000	10	1	119660-01911	2	19	119717-51150	7	17
119515-11101	4	15 -1	119540-55650	14	18 -1	119660-61901	12	66	119717-51420	11	86
119515-11110	4	16	119540-55651	14	18 -2	119717-01501	2	1	119717-51710	11	76
119515-11200	4	23	119540-59570	13	20	119717-01521	2	6	119717-51711	11	76 -1
119515-11240	4	24	119546-59810	13	9	119717-01570	2	3	119717-51750	11	77
119515-11280	4	28	119546-59820	13	10	119717-01750	2	18	119717-51760	11	78
119515-11310	4	48	119546-59830	13	11	119717-01800	2	8	119717-51761	11	78 -1
		17 6	119600-11460	4	4	119717-02410	1	13	119717-51860	11	90 -1

Parts No. Index

Parts No.	Fig. No.	Ref. No.	Parts No.	Fig. No.	Ref. No.	Parts No.	Fig. No.	Ref. No.	Parts No.	Fig. No.	Ref. No.
119717-51930	12	82 -1	121257-55731	14	29	129155-77925	16	38	22512-040120	8	5
119717-55650	14	18	121267-44760	10	26	129156-51910	11	80	22857-500100	4	51
119717-61050	12	2	121450-42450	10	24	129210-59080	14	14			52
119717-61060	12	3	121520-34810	9	16	129211-77920	16	39	22857-500160	4	53
119717-61070	12	4	121522-42290	10	19	129240-79300	16	14	23000-054000	5	11
119717-77800	4	1	121850-51960	2	22	129255-61410	12	70	23414-080000	10	14
119717-77801	4	1 -1		17	3	129255-61420	12	71		17	21
119717-77820	4	2	122710-51090	11	9	129335-55700	14	20	23418-060000	14	34
119718-13100	6	1 -1	123501-79240	16	5	129335-55701	14	20 -1	23857-030000	9	14
119734-01590	2	4	123900-13620	6	14	129350-49530	10	23	23876-005000	4	14
119740-13100	6	12	124060-01050	1	5	129423-77200	16	2	23876-030000	2	7 A
119740-42350	10	18	124064-55510	14	25	129423-77710	16	17	23887-100002	12	82
119740-59590	13	12 -1	124066-59100	13	21	129508-11180	4	18	24311-000320	2	31
119744-59560	13	20 -1	124085-02220	3	3	129612-12650	5	9		4	54
119761-12020	5	1	124160-01751	2	30	129612-52100	14	35 -1		17	11
119802-03100	4	41		4	36	129900-32130	2	12	24311-240100	14	10
119802-03110	4	42	124160-01910	1	8	129901-11450	4	3			21
119802-03121	4	43	124465-44950	10	20		17	5			45
119802-03131	4	44		17	22	129901-53800	13	3 A	24341-000280	12	83
119802-03141	4	45	124732-77340	16	32	129901-59560	13	19	25132-003500	10	19 -1
119802-13620	6	4	124766-59050	13	32		17	19	25152-003500	10	19 -2
		13		14	15	129916-49740	10	12	26013-080222	5	12
119802-32130	2	17	124950-21600	8	12	129950-59211	13	31	26014-080702	14	11
119802-55800	14	1 -1	128401-77440	16	13 -1	129950-59221	13	33	26022-050122	11	87
119802-55801	14	1 -2	129001-32320	2	13	129972-77341	16	33	26106-060102	9	9
		36 -1	129001-32330	2	14	158552-61700	12	61		12	69
119802-77200	16	40	129005-59830	9	12	158552-61900	12	83 -1			69 A
119808-12540	5	6	129052-77380	16	4 -1	158600-51270	11	41			84
119810-02930	1	27	129052-77422	16	8 -1	158600-51410	11	58	26106-060122	2	23
119810-02940	1	32	129052-79260	16	18 -1	158600-51420	11	59		3	10
119810-02941	1	32 -1	129052-79270	16	19	158600-51570	11	72		7	9
119810-55340	14	3	129100-01580	3	1	158600-51790	11	79	26106-060142	5	13
		38		8	2	171056-49120	10	17		12	85
119810-55650	14	8	129100-35140	9	2	171081-55910	14	33	26106-060162	2	24
		43	129100-52200	11	96	22190-080002	9	13	26106-060202	4	55
119813-59950	13	24	129136-59110	14	16			15		12	86
119833-55620	14	1	129150-11230	4	30			17	26106-060252	3	11
		36	129150-11750	4	32	22190-100002	12	79	26106-060352	7	14
119840-59570	13	12	129150-25301	7	15	22190-120002	13	30		10	22
119934-55610	14	46	129150-59120	13	4		14	17	26106-060402	2	25
119934-55611	14	46 -1	129150-59131	13	7		17	18			26
119C10-42000	10	1 -1	129155-51020	11	5	22190-160002	3	9	26106-060452	3	12
119C10-42001	10	1 -2	129155-51280	11	42		11	81		12	87
119C10-42320	10	11 -1			43		17	17	26106-060602	2	27
121120-01620	3	15		12	6	22217-060000	11	82	26106-060652	2	28
121250-55620	14	7	129155-51400	11	57	22217-120000	11	82 A	26106-060752	4	56
		42	129155-51580	11	73	22242-000120	4	33	26106-080122	10	15
121254-55510	14	4	129155-51701	11	75	22252-000220	8	23	26106-080162	5	14
		39	129155-52051	11	95	22351-060012	4	22		14	19
121257-55720	14	28	129155-61460	12	78	22372-040000	12	81	26106-080202	10	21

Parts No. Index

Parts No.	Fig. No.	Ref. No.
26106-080202	16	31
26106-080252	6	9
26106-080302	14	11 -1
26106-080402	4	35
26106-080502	10	16
26106-100252	15	1
26106-100452	16	30
26106-100502	16	30 -1
26206-100252	3	14
26206-100302	3	15 -1
26306-080002	2	29
	6	6
		10
		9
26577-060122	10	9
26716-060002	11	90
26716-120002	11	90 A
26756-060002	12	89
26979-050162	4	34
27241-120000	1	14
27241-250000	10	10
719515-01560	1	1
719515-92690	17	1
719540-51340	11	1
719540-51470	11	1 -1
719717-02900	1	38
719717-02901	1	38 -1
719717-02910	1	35
719717-02911	1	35 -1
719734-01500	2	5
X0280210331	15	24
X0280335360	15	34
X0280626010	15	13
X0280996180	15	4
X0281007680	15	3
X0282005871	15	7
X0283006960	15	8
X0284105040	15	14
X0284525010	15	28
X0285007030	15	11
X0285105190	15	5
X0285205030	15	6
X0286105010	15	16
X0286305010	15	18
X0286355010	15	19
X0287405140	15	20
X0534007800	15	21
X1280330020	15	34 -1
X1289510130	15	35
X2534000090	15	21 -1
X4284001590	15	9

Parts No.	Fig. No.	Ref. No.
X9055715000	15	22
X9490065670	15	33
X9490138090	15	26
X9490138100	15	27
X9490138110	15	25
X9490423520	15	31
X9490560750	15	30
X9490561001	16	3
X9490562360	15	29
X9490721360	15	23
X9491034320	15	17
X9491034330	15	15
X9491040990	15	12
X9491050100	15	10

Parts No.	Fig. No.	Ref. No.
-----------	----------	----------

Parts No.	Fig. No.	Ref. No.
-----------	----------	----------