

0CV10-M81100EN

P R E F A C E

1. This Parts Catalog carries all parts incorporated in YANMAR Model 3TNE88—ECB engine manufactured since September, 2001.
2. Each illustration corresponds to the parts list on the following page.
3. When ordering parts, clearly write down the engine model and serial number, as well as the name and number of each part in your order sheet. This will help insure reliable delivery of the parts you have ordered.

Directions for the Parts Catalog.

1. This Parts Catalog shows both standard and optional parts.
2. Parts may change without prior notice.
3. The following is an example of the Parts Catalog format.

REF.	LEV.	PARTS NO.	DESCRIPTION	Q'TY						I	R
				(A)	(B)	(C)	(D)	(E)	(F)		
1	1	729595-51390	FUEL INJECTION PUMP	1	1	1	1	1			1
1-1	1	729595-51391	FUEL INJECTION PUMP	1	1	1	1	1		N	1
		(A=E00185) (B=E00200)									
3	2	26022-060162	SCREW M 6X 16	9	9	9	9	9			
3-1	2	26022-060162	SCREW M 6X 16	4	4	4	4	4		K	
		(A=E00156) (B=E00156) (C=E00156) (D=E00156) (E=E00156)									
4	2	129470-51040	CAMSHAFT	1	1	1	1	1			
5	2	122710-51050	BEARING, ROLLER	2	2	2	2	2			
6	2	129470-51060	RETAINER	1	1	1	1	1			

Remarks
(1) BOOST COMPEMSATOR TYPE. OPTIONAL PART, TO E00155,(4JH-DT, 4JH-DTZ

① Ref. No.

The Ref. No. listed may not be in accordance with the illustration Ref. No.

(Ex.) Illustration No.

List Ref No.

1

1

(Before change)

1-1

(After change)

For interchangeable symbols N, R and K, illustrations for new parts may be abbreviated.

② Lev. (Level)

Level indication

The numbers below indicate the level of relativity towards the main part.

1 ----- Main parts (Assembly parts)

2 ----- Sub component included in " 1 ".

3 ----- Sub component included in " 2 ".

Note) Parts that are not for sale are partially illustrated but not listed.

③ Interchangeability Symbol

When a part change takes place, one of the following interchangeability symbols is indicated beside the part.

Symbol	Interchangeability	Contents note
N	Old $\begin{matrix} \leftarrow \text{Yes} \\ \text{No} \rightarrow \end{matrix}$ New	New Part is interchangeable for Old Part but Old Part is not interchangeable for New Part.
Q	Old $\begin{matrix} \leftarrow \text{No} \\ \text{Yes} \rightarrow \end{matrix}$ New	New Part is not interchangeable for Old Part but Old Part is interchangeable for New Part.
R	Old $\begin{matrix} \leftarrow \text{Yes} \\ \text{Yes} \rightarrow \end{matrix}$ New	New/ Old Parts are both interchangeable.
S	Old $\begin{matrix} \leftarrow \text{No} \\ \text{No} \rightarrow \end{matrix}$ New	New/ Old Parts are both not interchangeable.
W		Part newly added.
Z		Part discontinued.
F		Not interchangeable by a single part but interchangeable together with related parts.
K		Changes only for used parts quantities.

④ Effective Machine No.

When a part changes, the effective Machine No. will be indicated in the (A)-(F) column.

Product Symbol	Product No.	Product Symbol	Product No.
C	Clutch No. Compressor No.	F	Machine No. (Agricultural Equip.)
D	Drive No.	M	Machine No.
E	Engine No.		

Note 1) A date may follow the symbol. (Ex.) 1996.01

Note 2) "XXXXX" and "ZZZZZ" are for parts that could not be predicted or for engine models that could not be identified.

Note 3) (A=E00185) is the E (Engine Serial Number) for the column (A) model (in this case 4JH-DT) after the parts design change.

⑤ Remarks

Figures or alphabets (symbols) are entered in the remarks column.

The comments (remarks) on parts that are indicated at the bottom of the illustration are the same symbols as those stated above.

Contents

Fig. No. Fig. Name

3TNE88-ECB

1. CYLINDER BLOCK
2. GEAR HOUSING
3. FLYWHEEL HOUSING & OIL SUMP
4. CYLINDER HEAD & BONNET
5. SUCTION MANIFOLD
6. EXHAUST MANIFOLD
7. CAMSHAFT & DRIVING GEAR
8. CRANKSHAFT & PISTON
9. LUB.OIL SYSTEM
10. COOLING WATER SYSTEM
11. FUEL INJECTION PUMP
12. GOVERNOR
13. FUEL INJECTION VALVE
14. FUEL LINE
15. STARTING MOTOR
16. GENERATOR
17. GASKET SET

Fig. No. Fig. Name

Fig.1. CYLINDER BLOCK

(A)=3TNE88-ECB

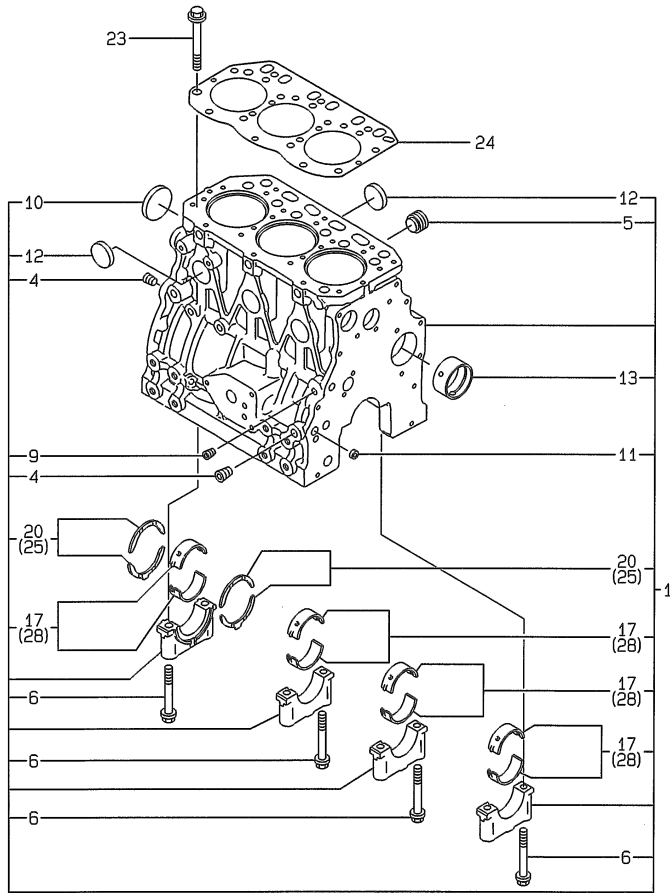
(B)=

(C)=

(D)=

(E)=

(F)=

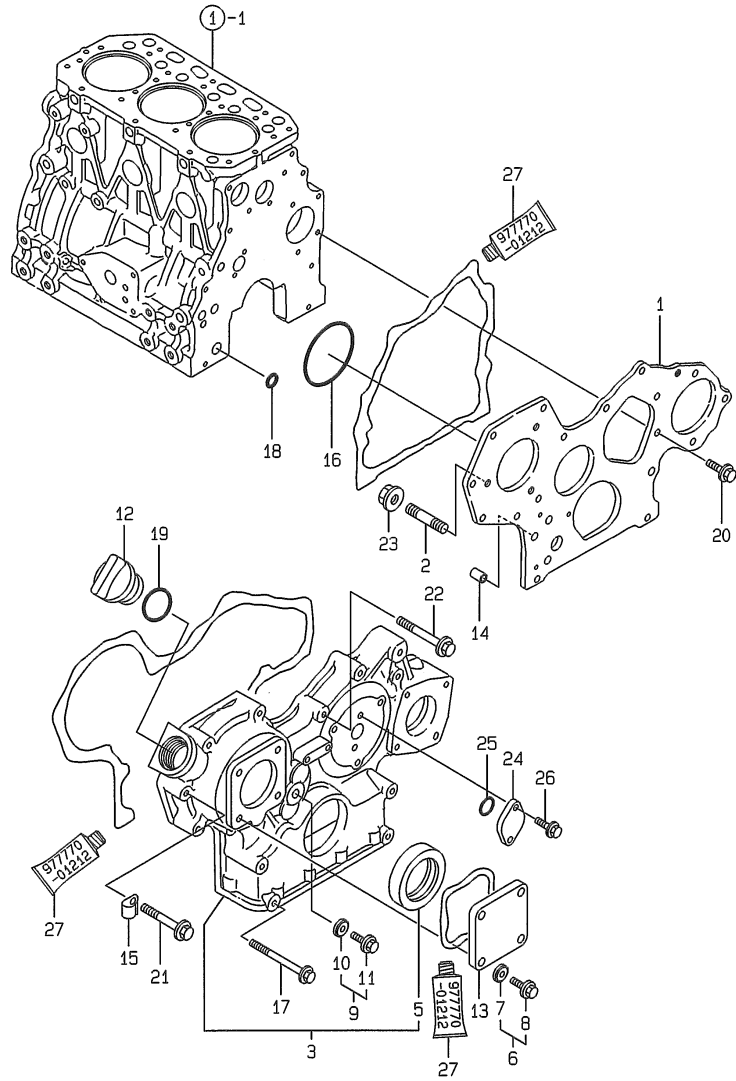


No.	Lev.	Parts No.	Description	Q'ty						I	R
				(A)	(B)	(C)	(D)	(E)	(F)		
1	1	729001-01560	BLOCK ASSY, CYLINDER	1							
4	2	124160-01910	PLUG, PT1/4	3							
5	2	171051-01921	PLUG, NPTF1	1							
6	2	129150-02020	BOLT, METAL CAP	8							
9	2	23876-010000	PLUG, R01	1							
10	2	129001-01250	PLUG, 50	1							
11	2	27241-120000	PLUG, 12	2							
12	2	27241-300000	PLUG 30	6							
13	2	129795-02411	BUSH, CAMSHAFT	1							
17	2	129001-02930	BEARING, MAIN	4							3
20	2	129150-02930	BEARING, THRUST	2							
23	1	129150-01200	BOLT, HEAD	14							
24	1	129001-01340	GASKET, HEAD	1							
25	1	129150-02940	BEARING, THRUST 0.25	1							1
28	1	129150-02870	BEARING, 0.25 US	4							2

Remarks

- (1) OVER-SIZE(O.S=0.25)PART.
- (2) UNDER-SIZE(U.S=0.25)PART.
- (3) REPAIR PART.

Fig.2. GEAR HOUSING



(A)=3TNE88-ECB

(B)=

(C)=

(D)=

(E)=

(F)=

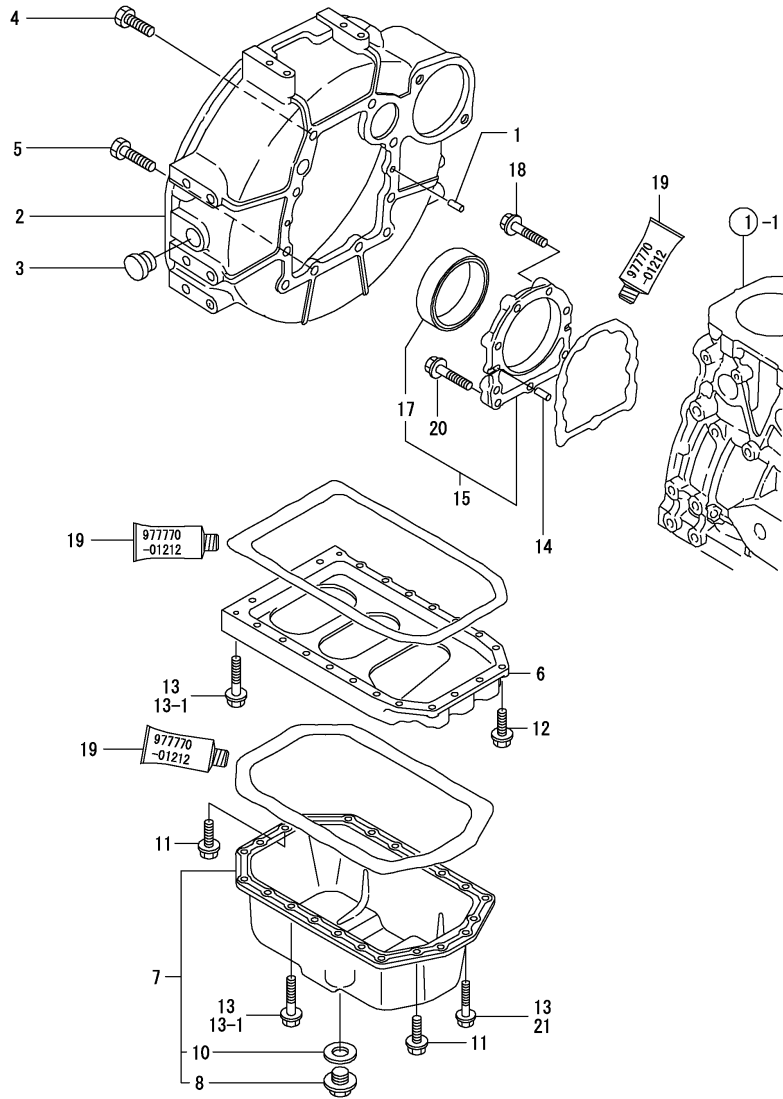
No.	Lev.	Parts No.	Description	Q'ty						I	R
				(A)	(B)	(C)	(D)	(E)	(F)		
1	1	171353-01520	FLANGE, GEAR CASE	1							
2	1	121450-01560	STUD, M8X22	3							
3	1	171353-01580	CASE ASSY, GEAR	1							
5	2	129795-01800	SEAL, OIL	1							
6	1	124550-01590	BOLT, M8X16	4							
7	2	22190-080003	WASHER, SEAL 8	4							
8	2	26106-080162	BOLT, M8X 16 PLATED	4							
9	1	124550-01590	BOLT, M8X16	1							
10	2	22190-080003	WASHER, SEAL 8	1							
11	2	26106-080162	BOLT, M8X 16 PLATED	1							
12	1	124160-01751	COVER, FILLER	1							
13	1	124240-01871	COVER	1							
14	1	129795-01950	PIPE, KNOCK L=18	2							
15	1	129150-03100	RETAINER, PIPE	1							
16	1	121850-51960	O-RING	1							
17	1	129001-91841	BOLT, M8X85	4							
18	1	119609-32040	O-RING, P16	2							
19	1	24311-000320	O-RING, 1AP32.0	1							
20	1	26106-080162	BOLT, M8X 16 PLATED	3							
21	1	26106-080452	BOLT, M8X 45 PLATED	6							
22	1	26106-080552	BOLT, M8X 55 PLATED	3							
23	1	26306-080002	NUT, M8	3							
24	1	121023-01550	COVER	1							
25	1	24341-000240	O-RING, 1AS24.0	1							
26	1	26106-060162	BOLT, M6X 16 PLATED	2							
27	1	977770-01212	GASKET, LIQUID	1							1

Remarks

(1) OPTIONAL PART.

N:Old $\begin{matrix} \leftarrow \text{Yes} \\ \text{No} \end{matrix}$ New, Q:Old $\begin{matrix} \leftarrow \text{No} \\ \text{Yes} \end{matrix}$ New, R:Old $\begin{matrix} \leftarrow \text{Yes} \\ \text{Yes} \end{matrix}$ New, S:Old $\begin{matrix} \leftarrow \text{No} \\ \text{No} \end{matrix}$ New, W:Add, Z:Discontinued, F:Interchangeable by set, K:Q'ty Change

Fig.3. FLYWHEEL HOUSING & OIL SUMP



(A)=3TNE88-ECB

(B)=

(C)=

(D)=

(E)=

(F)=

No.	Lev.	Parts No.	Description	Q'ty						I	R
				(A)	(B)	(C)	(D)	(E)	(F)		
1	1	129100-01580	PIN, M8X16	2							
2	1	129612-01600	HOUSING, FLYWHEEL	1							
3	1	119620-01750	CAP	1							
4	1	26206-100252	BOLT, M10X 25 PLATED	6							
5	1	26206-100302	BOLT, M10X 30 PLATED	4							
6	1	129100-01730	SPACER, OIL SUMP	1							
7	1	729102-01540	SUMP ASSY, OIL	1							
8	2	119640-01640	PLUG, DRAIN M22	1							
10	2	22190-220002	WASHER, SEAL 22	1							
11	1	26106-080162	BOLT, M8X 16 PLATED	4							
12	1	26106-080252	BOLT, M8X 25 PLATED	2							
13	1	26106-080452	BOLT, M8X 45 PLATED	20							
13-1	1	26106-080452	BOLT, M8X 45 PLATED	16							K
(A=FROM 1ST)											
14	1	129100-01580	PIN, M8X16	2							
15	1	129100-01640	CASE ASSY, OIL SEAL	1							
17	2	129795-01780	SEAL, OIL	1							
18	1	129486-01670	BOLT, M8X30	6							
19	1	977770-01212	GASKET, LIQUID	1							1
20	1	26106-080352	BOLT, M8X 35 PLATED	3							
21	1	26106-080502	BOLT, M8X 50 PLATED	4							W
(A=FROM 1ST)											

Remarks

(1) OPTIONAL PART.

Fig.4. CYLINDER HEAD & BONNET

(A)=3TNE88-ECB

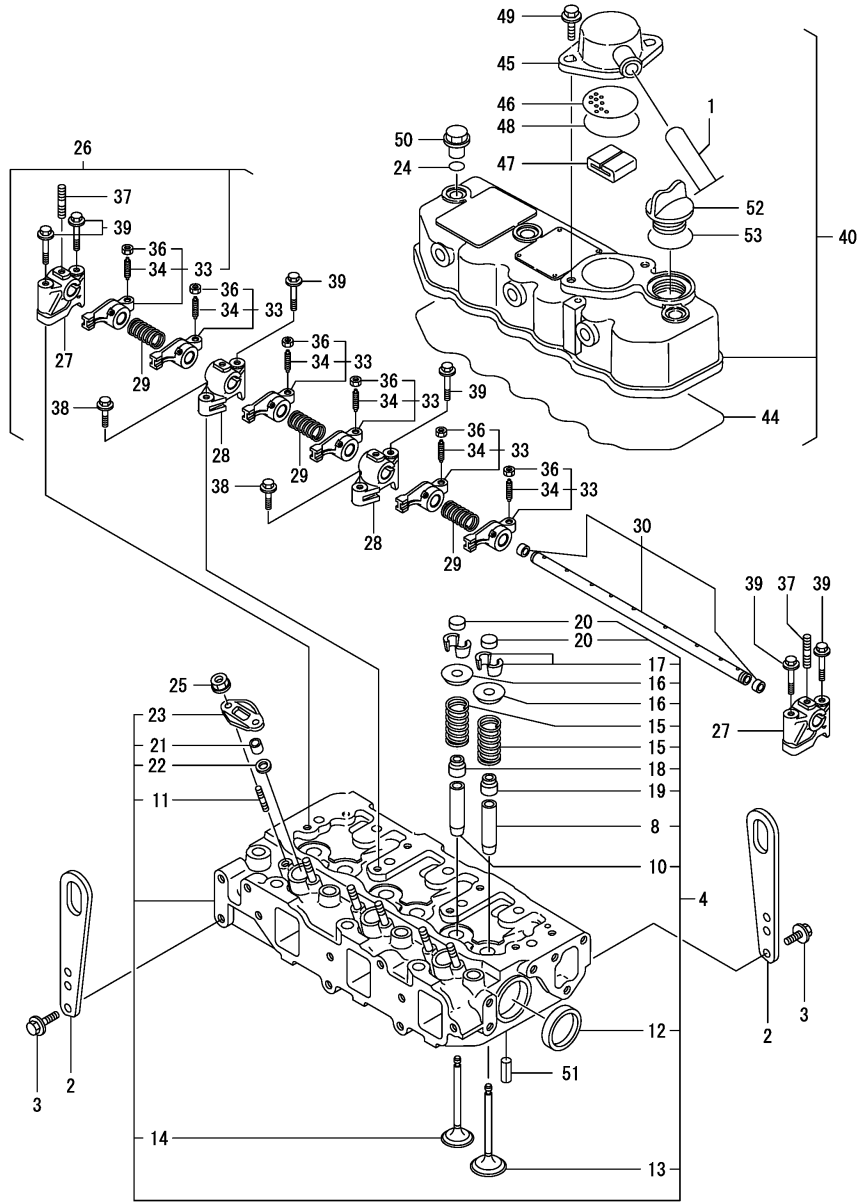
(B)=

(C)=

(D)=

(E)=

(F)=



No.	Lev.	Parts No.	Description	Q'ty						I	R
				(A)	(B)	(C)	(D)	(E)	(F)		
1	1	171350-03090	PIPE , BREATHER 900	1							
2	1	129900-07900	LIFTER	2							
3	1	26106-080162	BOLT, M8X 16 PLATED	4							
4	1	129051-11700	HEAD ASSY, CYLINDER	1							
8	2	120130-11860	GUIDE, VALVE	3							1
10	2	129150-11810	GUIDE, VALVE	3							1
11	2	26216-060202	STUD, M6X 20	6							
12	2	27241-400000	PLUG, 40	2							
13	2	129100-11100	VALVE, INTAKE	3							
14	2	129100-11110	VALVE, EXHAUST	3							
15	2	129795-11120	SPRING, VALVE	6							
16	2	129795-11180	RETAINER, SPRING	6							
17	2	27310-080001	COTTER, 8	6							
18	2	121400-11340	SEAL, VALVE STEM	3							
19	2	124460-11340	SEAL, VALVE STEM	3							
20	2	129150-11370	CAP, VALVE	6							
21	2	119625-11870	PROTECTOR, NOZZLE	3							
22	2	119625-11880	SEAT, NOZZLE	3							
23	2	119625-11900	RETAINER, NOZZLE	3							
24	1	24311-000120	O-RING, 1AP12.0	3							
25	1	26366-060002	NUT, M6	6							
26	1	129155-11241	SHAFT ASSY, ROCKER	1							
27	2	129155-11260	SUPPORT, ROCKER ARM	2							
28	2	129155-11270	SUPPORT, ROCKER ARM	2							
29	2	129150-11280	SPRING	3							
30	2	129150-11290	SHAFT, ROCKER ARM	1							
33	2	729402-11650	ARM ASSY, ROCKER	6							
34	3	129150-11230	SCREW, VALVE ADJUST	6							
36	3	129150-11750	NUT, M8	6							
37	2	26226-080182	STUD, M8X 18	3							
38	1	26106-080252	BOLT, M8X 25 PLATED	2							
39	1	26106-080502	BOLT, M8X 50 PLATED	6							
40	1	729132-11521	BONNET ASSY, HEAD	1							
44	2	129150-11310	GASKET, BONNET	1							
45	2	129150-03020	COVER, BREATHER	1							
46	2	129150-03080	PLATE, BAFFLE	1							
47	2	129150-03070	BAFFLE, BREATHER	1							
48	2	24341-000500	O-RING, 1AS50.0	1							
49	2	26106-080162	BOLT, M8X 16 PLATED	2							
50	1	124160-11360	KNOB	3							
51	1	22351-060012	PIN, SPRING 6.0X12	2							
52	1	124160-01751	COVER, FILLER	1							
53	1	24311-000320	O-RING, 1AP32.0	1							

Remarks

(1) REPAIR PART.

N:Old $\xrightarrow{\text{Yes}}$ New, Q:Old $\xrightarrow{\text{No}}$ New, R:Old $\xrightarrow{\text{Yes}}$ New, S:Old $\xrightarrow{\text{No}}$ New, W:Add, Z:Discontinued, F:Interchangeable by set, K:Q'ty Change

Fig.5. SUCTION MANIFOLD

(A)=3TNE88-ECB
(B)=
(C)=

(D)=
(E)=
(F)=

No.	Lev.	Parts No.	Description	Q'ty						I	R
				(A)	(B)	(C)	(D)	(E)	(F)		
1	1	129122-12100	MANIFOLD, AIR INTAKE	1							
2	1	129150-12111	GASKET, MANIFOLD	1							
3	1	26106-080252	BOLT, M8X 25 PLATED	4							
4	1	129150-77511	GASKET	1							
5	1	26106-080352	BOLT, M8X 35 PLATED	4							
6	1	129120-77501	HEATER	1							

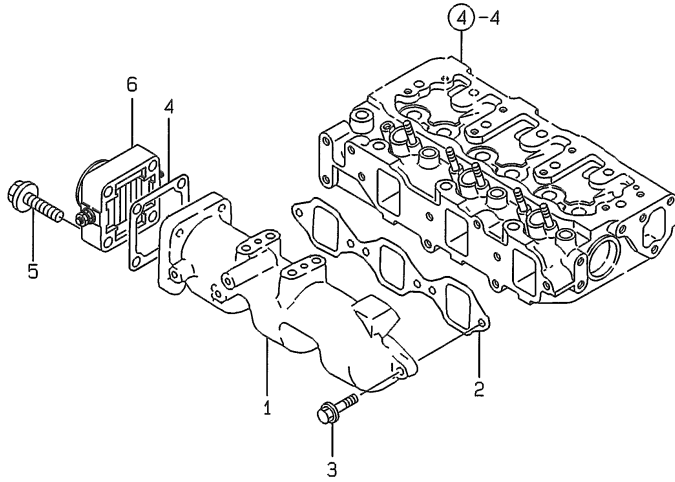
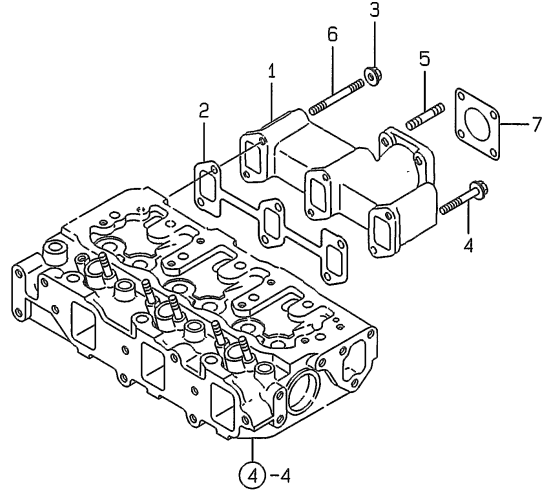


Fig.6. EXHAUST MANIFOLD

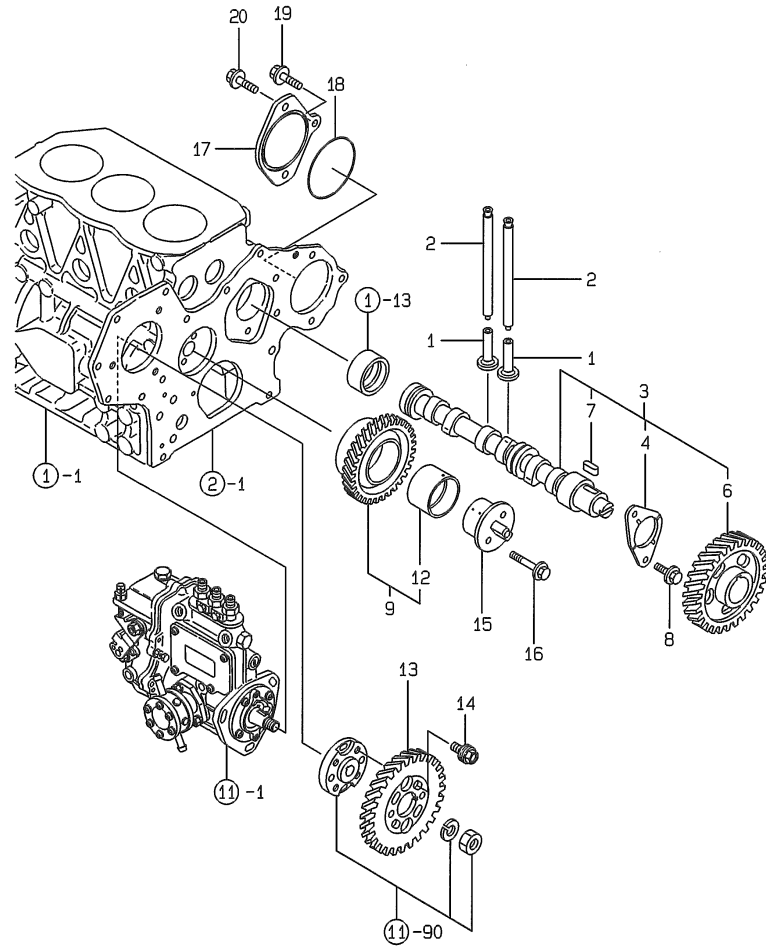


(A)=3TNE88-ECB
(B)=
(C)=

(D)=
(E)=
(F)=

No.	Lev.	Parts No.	Description	Q'ty						I	R
				(A)	(B)	(C)	(D)	(E)	(F)		
1	1	129100-13110	MANIFOLD, EXHAUST	1							
2	1	129150-13110	GASKET	1							
3	1	26306-080002	NUT, M8	2							
4	1	26106-080802	BOLT, M8X 80 PLATED	4							
5	1	119131-18320	STUD, M8X22	4							
6	1	26216-080802	STUD, M8X 80	2							
7	1	124701-11911	GASKET, SILENCER	1							

Fig.7. CAMSHAFT & DRIVING GEAR



(A)=3TNE88-ECB

(B)=

(C)=

(D)=

(E)=

(F)=

No.	Lev.	Parts No.	Description	Q'ty						I	R
				(A)	(B)	(C)	(D)	(E)	(F)		
1	1	129150-14200	TAPPET	6							
2	1	129150-14400	ROD, PUSH L=178	6							
3	1	129129-14580	CAMSHAFT ASSY	1							
4	2	129150-02450	BEARING, THRUST	1							
6	2	129150-14101	GEAR, CAMSHAFT	1							
7	2	22512-070140	KEY, 7X 14	1							
8	1	26106-080142	BOLT, M8X 14 PLATED	2							
9	1	129150-25101	GEAR ASSY, IDLE	1							
12	2	129150-25920	BUSH, IDLE GEAR	1							1
13	1	129150-25931	GEAR, PUMP	1							
14	1	129150-25301	BOLT	4							
15	1	129100-25061	SHAFT, IDLE	1							
16	1	26106-080452	BOLT, M8X 45 PLATED	2							
17	1	129430-26070	COVER	1							
18	1	24321-000800	O-RING, 1AG80.0	1							
19	1	26106-080252	BOLT, M8X 25 PLATED	1							
20	1	26106-100302	BOLT, M10X 30 PLATED	2							

Remarks

(1) REPAIR PART.

Fig.8. CRANKSHAFT & PISTON

(A)=3TNE88-ECB

(B)=

(C)=

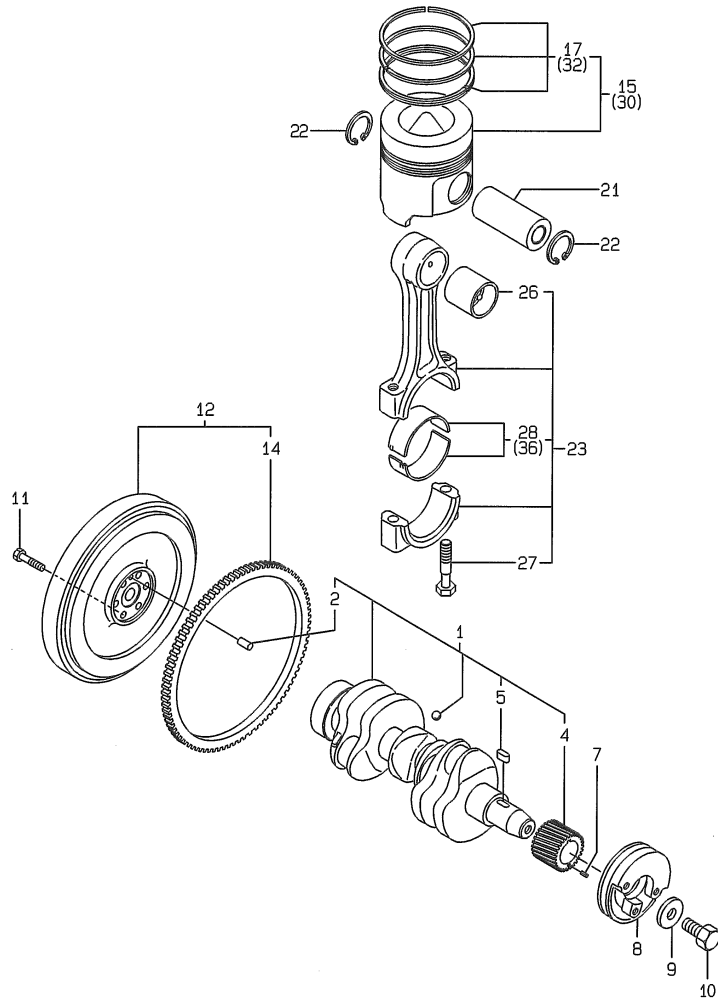
(D)=

(E)=

(F)=

Q'ty

No.	Lev.	Parts No.	Description	Q'ty						I	R
				(A)	(B)	(C)	(D)	(E)	(F)		
1	1	129001-21100	CRANKSHAFT ASSY	1							
2	2	129100-01580	PIN, M8X16	1							
4	2	129150-21200	GEAR, CRANKSHAFT	1							
5	2	22512-070140	KEY, 7X 14	1							
7	1	22351-040010	PIN, SPRING 4.0X10	1							
8	1	171340-21650	V-PULLEY	1							
9	1	129795-21661	WASHER	1							
10	1	121850-21680	BOLT	1							
11	1	121111-21501	BOLT, FLYWHEEL	6							
12	1	129128-21590	FLYWHEEL ASSY	1							
14	2	119865-21600	GEAR, RING	1							
15	1	129001-22070	PISTON ASSY	3							
17	2	129001-22500	RING SET, PISTON	3							
21	1	129202-22300	PIN, PISTON D26 L70	3							
22	1	22252-000260	RING, 26	6							
23	1	729402-23100	ROD ASSY, CONNECTING	3							
26	2	129100-23910	BEARING, PISTON PIN	3							1
27	2	121550-23200	BOLT, CONNECTING ROD	6							
28	2	129150-23600	BEARING, CRANK PIN	3							
30	1	129001-22930	PISTON ASSY, 0.25 OS	3							2
32	2	129001-22950	RING SET, 0.25 OS	3							2
36	1	129150-23610	BEARING, 0.25 US	3							3



Remarks

- (1) REPAIR PART.
- (2) OVER-SIZE(O.S=0.25)PART.
- (3) UNDER-SIZE(U.S=0.25)PART.

Fig.9. LUB.OIL SYSTEM

(A)=3TNE88-ECB

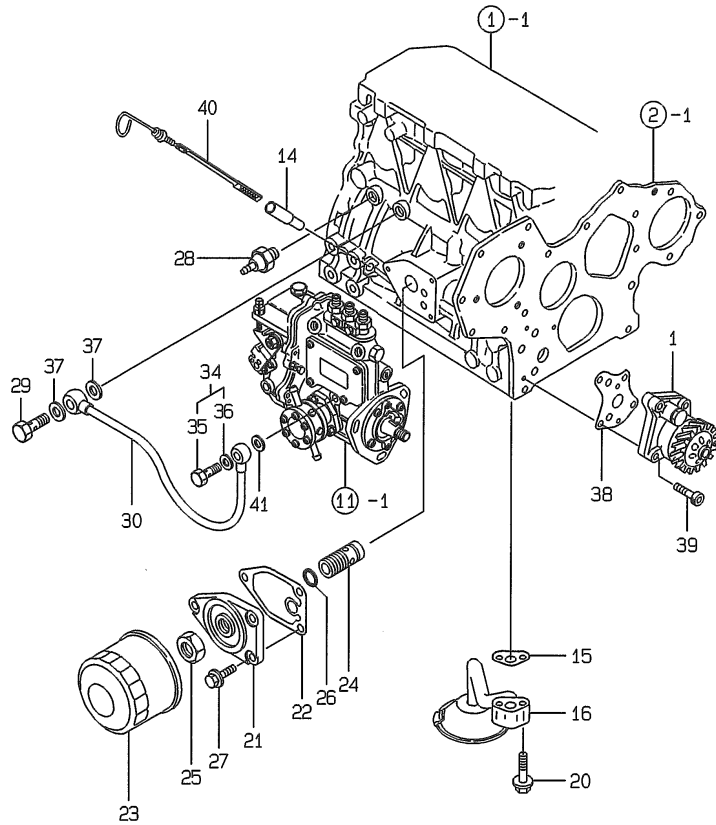
(B)=

(C)=

(D)=

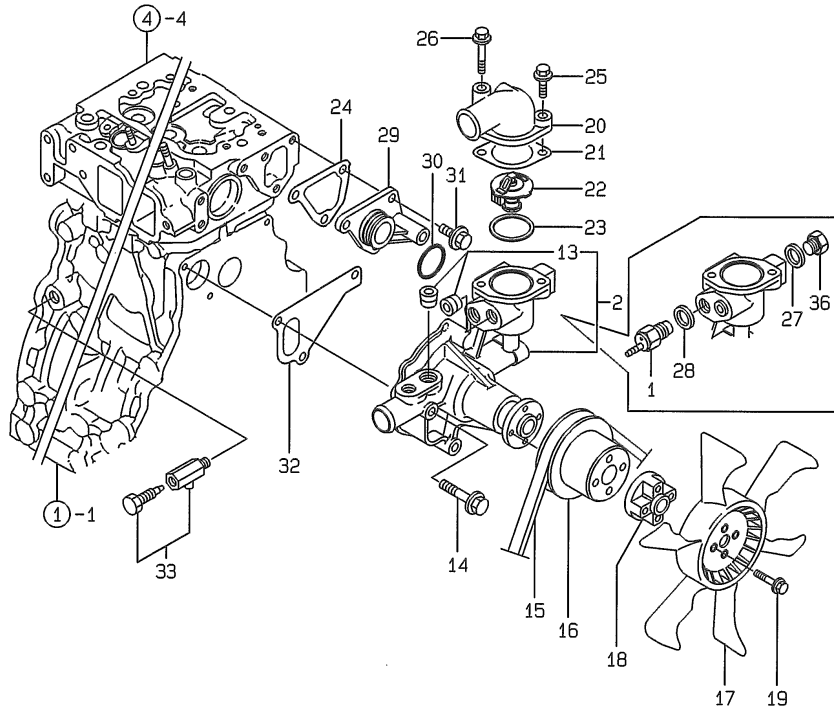
(E)=

(F)=



No.	Lev.	Parts No.	Description	Q'ty						I	R
				(A)	(B)	(C)	(D)	(E)	(F)		
1	1	129001-32001	PUMP ASSY, OIL	1							
14	1	121520-34810	GUIDE, DIPSTICK	1							
15	1	129150-35041	GASKET	1							
16	1	129150-35091	PIPE ASSY, OIL INLET	1							
20	1	26106-080352	BOLT, M8X 35 PLATED	2							
21	1	129150-35101	BRACKET, STRAINER	1							
22	1	129150-35111	GASKET	1							
23	1	129150-35151	FILTER, D80XL80	1							
24	1	129001-35300	BOLT, FILTER	1							
25	1	129150-35350	NUT	1							
26	1	24311-000160	O-RING, 1AP16.0	1							
27	1	26106-080202	BOLT, M8X 20 PLATED	3							
28	1	114250-39450	SWITCH, 0.5KG	1							
29	1	124160-39140	BOLT, PIPE JOINT M10	1							
30	1	129150-39450	PIPE ASSY, OIL	1							
34	1	124550-59830	BOLT ASSY, JOINT M8	1							
35	2	124550-59820	BOLT, PIPE JOINT M8	1							
36	2	22190-080002	WASHER, SEAL 6	1							
37	1	22190-100002	WASHER, SEAL 10	2							
38	1	129150-32020	GASKET, PUMP	1							
39	1	26450-060252	BOLT, M6X 25	4							
40	1	171420-34800	DIPSTICK, OIL	1							
41	1	22190-080002	WASHER, SEAL 6	1							

Fig.10. COOLING WATER SYSTEM

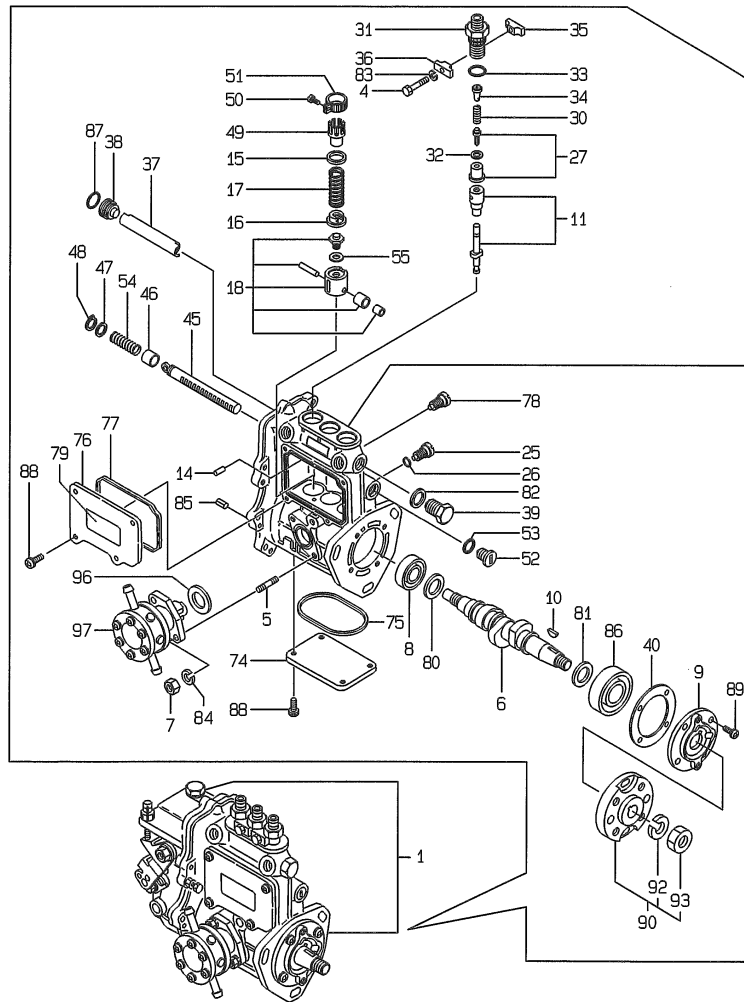


(A)=3TNE88-ECB
(B)=
(C)=

(D)=
(E)=
(F)=

No.	Lev.	Parts No.	Description	Q'ty						I	R
				(A)	(B)	(C)	(D)	(E)	(F)		
1	1	121250-44901	SWITCH, 110	1							
2	1	129001-42003	PUMP ASSY, WATER	1							
13	2	23876-030000	PLUG, R03	2							
14	1	26106-080602	BOLT, M8X 60 PLATED	3							
15	1	25132-003700	V-BELT, A37	1							
16	1	129403-42380	V-PULLEY, D=110	1							
17	1	171340-44740	FAN, COOLING D335XNF	1							
18	1	171353-44760	SPACER, FAN	1							
19	1	26106-060352	BOLT, M6X 35 PLATED	4							
20	1	124101-49531	COVER, THERMOSTAT	1							
21	1	129795-49551	GASKET	1							
22	1	129155-49800	THERMOSTAT, 71	1							
23	1	129150-49811	GASKET, THERMOSTAT	1							
24	1	129100-49840	GASKET	1							
25	1	26106-080252	BOLT, M8X 25 PLATED	1							
26	1	26106-080652	BOLT, M8X 65 PLATED	1							
27	1	124465-44950	GASKET, 16	1							
28	1	124465-44950	GASKET, 16	1							
29	1	129001-42040	JOINT	1							
30	1	129486-42140	O-RING, G30	1							
31	1	26106-080162	BOLT, M8X 16 PLATED	3							
32	1	129486-42021	GASKET, WATER PUMP	1							
33	1	119620-49290	COCK ASSY, 1/4	1							
36	1	121450-42450	PLUG, M16	1							

Fig.11. FUEL INJECTION PUMP



(A)=3TNE88-ECB

(B)=

(C)=

(D)=

(E)=

(F)=

No.	Lev.	Parts No.	Description	Q'ty						I	R
				(A)	(B)	(C)	(D)	(E)	(F)		
1	1	729209-51460	PUMP ASSY, INJECTION	1							1
4	2	26116-050302	BOLT, M5X 30 PLATED	2							
5	2	129155-51020	STUD	2							
6	2	129171-51040	CAMSHAFT	1							
7	2	26716-060002	NUT, M6	2							
8	2	129155-51050	BEARING, 17BM001D	1							
9	2	129208-51060	SUPPORT	1							
10	2	122710-51090	KEY	1							
11	2	129470-51101	PLUNGER ASSY	3							
14	2	129155-51140	PIN	3							
15	2	174307-51170	RETAINER, SPRING A	3							
16	2	129155-51180	RETAINER, SPRING	3							
17	2	124950-51190	SPRING, PLUNGER	3							
18	2	129155-51200	TAPPET ASSY	3							
25	2	129155-51270	STOPPER, TAPPET	3							
26	2	129155-51280	O-RING, S6	3							
27	2	129209-51300	VALVE ASSY, DELIVERY	3							
30	2	129573-51330	SPRING, DELIVERY	3							
31	2	129573-51340	RETAINER	3							
32	2	124550-51350	GASKET, DELIVERY	3							
33	2	124550-51370	O-RING	3							
34	2	129573-51370	STOPPER, VALVE	3							
35	2	129155-51380	STOPPER	2							
36	2	129155-51390	STOPPER	2							
37	2	129155-51400	DEFLECTOR	1							
38	2	129155-51410	BOLT	1							
39	2	129155-51420	PLUG, M16	1							
40	2	129155-51450	SHIM SET, ADJUSTING	1							
45	2	129155-51500	RACK, CONTROL	1							
46	2	129155-51521	BUSH, RACK	1							
47	2	129155-51530	SPACER	1							
48	2	129155-51540	CIRCLIP	1							
49	2	129155-51550	PINION, CONTROL	3							
50	2	129100-51570	SCREW	3							
51	2	129100-51560	PINION	3							
52	2	129155-51570	PLUG, M12	1							
53	2	129155-51580	O-RING	1							
54	2	129155-51591	SPRING, RACK	1							
55	2	129155-51600	SHIM SET, ADJUSTING	3							
74	2	129155-51701	COVER	1							
75	2	129155-51711	GASKET	1							
76	2	129155-51751	COVER	1							
77	2	129155-51760	GASKET	1							
78	2	129155-51790	STOOPER, RACK	1							
79	2	129156-51910	LABEL, CAUTION	1							
80	2	129155-51930	SPACER, T=3.25	1							
81	2	129155-51940	SPACER, T=1.5	1							
82	2	22190-160002	WASHER, SEAL 16	1							
83	2	22217-050000	WASHER, SPRING 5	2							
84	2	22217-060000	WASHER, SPRING 6	2							
85	2	22351-050010	PIN, SPRING 5.0X10	2							

Remarks

(1) GOVERNOR ASSY(FIG.12) IS INCORPORATED IN THIS FOP.CMP (REF.NO.1).

Fig.11. FUEL INJECTION PUMP

(A)=3TNE88-ECB

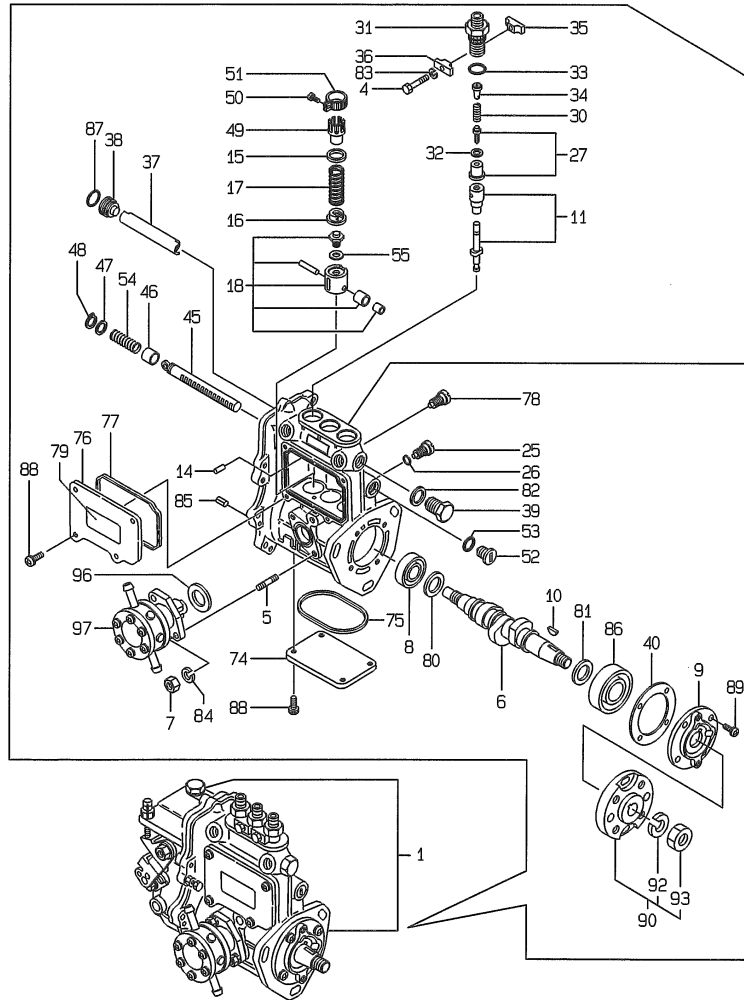
(B)=

(C)=

(D)=

(E)=

(F)=

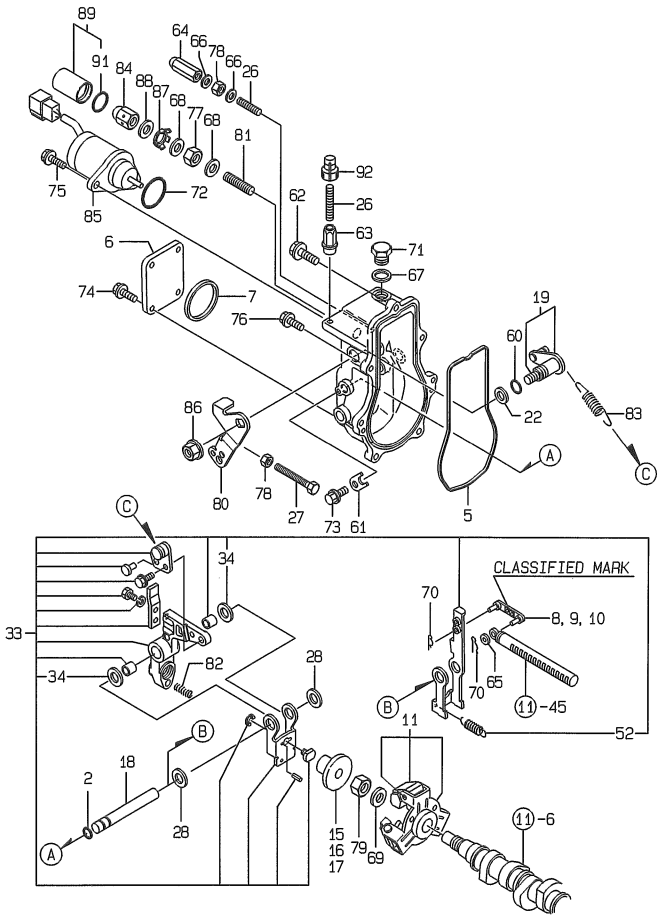


No.	Lev.	Parts No.	Description	Q'ty						I	R
				(A)	(B)	(C)	(D)	(E)	(F)		
86	2	24101-063034	BEARING, BALL 6303	1							
87	2	24341-000160	O-RING, 1AS16.0	1							
88	2	26022-050122	SCREW, M5X12	8							
89	2	26022-060162	SCREW, M6X16	4							
90	2	129208-54500	FLANGE ASSY	1							
92	3	22217-120000	WASHER, SPRING 12	1							
93	3	26716-120002	NUT, M12	1							
96	2	129155-52050	GASKET	1							
97	2	129100-52100	PUMP ASSY, FUEL FEED	1							

Remarks

(1) GOVERNOR ASSY(FIG.12) IS INCORPORATED IN THIS FOP.CMP (REF.NO.1).

Fig.12. GOVERNOR



Remarks

- (1) SELECTIVE PARTS: CERTAIN THE CLASSIFICATION MARK, THEN PLACE YOUR ORDER.(REFER TO ILLUSTRATION).
- (2) SELECTIVE PARTS.
- * THIS FIGURE(GOVERNOR ASSY)IS INCORPORATED IN THE FUEL INJECTION PUMP ASSY(FIG.11).

(A)=3TNE88-ECB

(B)=

(C)=

(D)=

(E)=

(F)=

No.	Lev.	Parts No.	Description	Q'ty						I	R
				(A)	(B)	(C)	(D)	(E)	(F)		
2	2	129155-51280	O-RING, S6	1							
5	2	129052-61050	GASKET	1							
6	2	129052-61060	COVER, GOVERNOR CASE	1							
7	2	129052-61070	GASKET	1							
8	2	129155-61120	LINK, L=30 MARK 0	1							1
9	2	129155-61130	LINK, L=31 MARK 1	1							1
10	2	129155-61140	LINK, L=30.5 MARK 05	1							1
11	2	129486-61201	WEIGHT ASSY,GOVERNOR	1							
15	2	129155-61341	SLEEVE	1							2
16	2	129155-61350	SLEEVE, L=24.9	1							2
17	2	129155-61360	SLEEVE, L=25.2	1							2
18	2	129052-61390	SHAFT	1							
19	2	129100-61400	SHAFT ASSY	1							
22	2	129155-61430	SPACER	1							
26	2	129155-61450	BOLT, LIMITER	2							
27	2	129155-61460	BOLT, IDLE	1							
28	2	129155-61480	SPACER ASSY	2							
33	2	119908-61501	LEVER ASSY, GOVERNOR	1							
34	3	174307-51700	SHIM SET	2							
52	3	129486-61540	SPRING, SET	1							
60	2	129155-61830	O-RING, S10	1							
61	2	119660-61901	RETAINER, SHAFT	1							
62	2	129155-61950	BOLT	1							
63	2	129209-61370	NUT, M6	1							
64	2	119600-66840	NUT, CAP	1							
65	2	22117-040000	WASHER, 4	1							
66	2	22190-060003	SEAL WASER 6	2							
67	2	22190-100002	WASHER, SEAL 10	1							
68	2	22190-120002	WASHER, SEAL 12	2							
69	2	22287-120000	WASHER, 12	1							
70	2	22372-040000	PIN, SNAP 4	2							
71	2	23887-100002	PLUG, 10	1							
72	2	24341-000280	O-RING, 1AS28.0	1							
72-1	2	158552-61900	O-RING	1							N
(A=EXXXXX)											
73	2	26106-060102	BOLT, M6X 10 PLATED	1							
74	2	26106-060102	BOLT, M6X 10 PLATED	4							
75	2	26106-060142	BOLT, M6X 14 PLATED	2							
76	2	26106-060202	BOLT, M6X 20 PLATED	6							
77	2	26736-120002	NUT, M12	1							
78	2	26756-060002	NUT, LOCK M6	2							
79	2	26776-120002	NUT, LOCK M12	1							
80	2	129100-61440	LEVER, CONTROL	1							
81	2	120323-61470	BOLT, CONTROL	1							
82	2	129100-61650	SPRING, CONTROLLER	1							
83	2	171353-61700	SPRING, GOVERNOR	1							
84	2	129209-61930	NUT, CAP	1							
85	2	119653-77950	SOLENOID, STOP	1							
86	2	26366-080002	NUT, M8	1							
87	2	129209-61970	PLATE	1							
88	2	23414-120016	GASKET, 12X1.0	1							

Fig.13. FUEL INJECTION VALVE

(A)=3TNE88-ECB

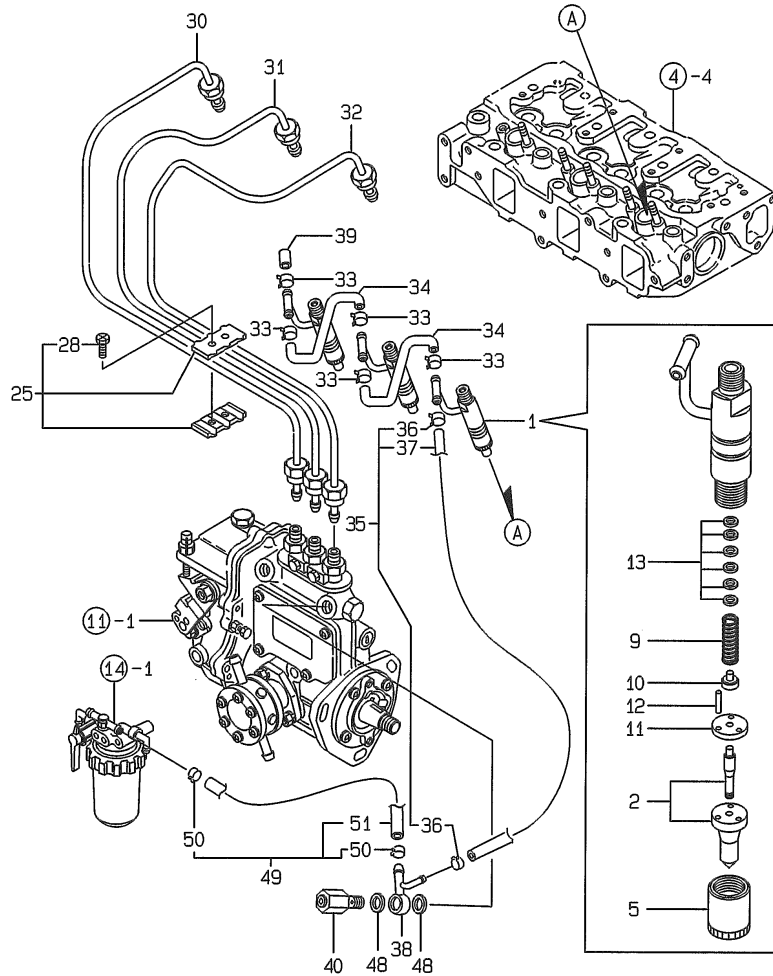
(B)=

(C)=

(D)=

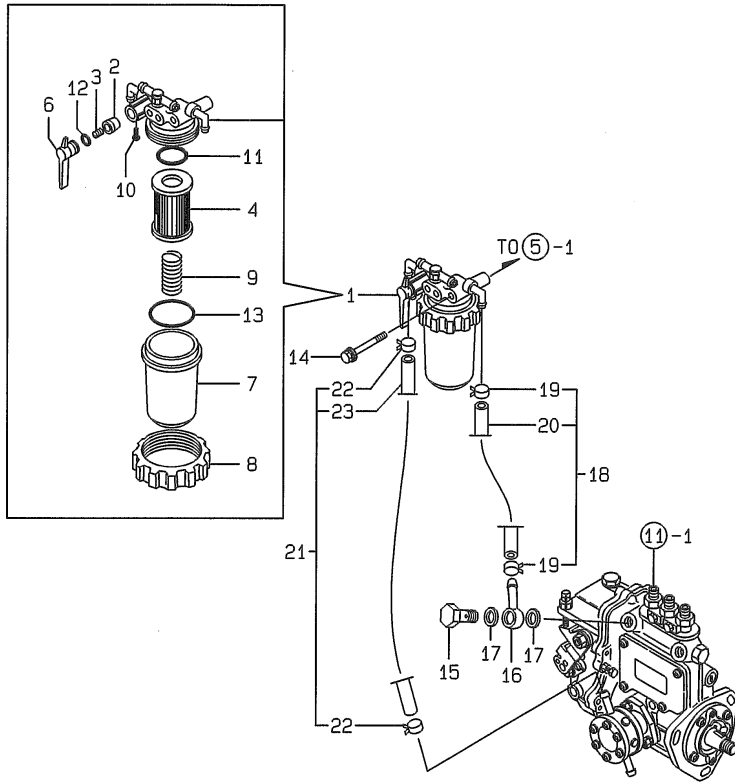
(E)=

(F)=



No.	Lev.	Parts No.	Description	Q'ty						I	R
				(A)	(B)	(C)	(D)	(E)	(F)		
1	1	729209-53100	VALVE ASSY,INJECTION	3							
2	2	129209-53000	VALVE ASSY,INJECTION	3							
5	2	114250-53080	NUT, NOZZLE D16.95	3							
9	2	114250-53120	SPRING, NOZZLE	3							
10	2	114250-53130	SEAT, SPRING	3							
11	2	114250-53140	PLATE	3							
12	2	114250-53210	PIN	6							
13	2	114250-53400	SHIM SET	3							
25	1	129150-59120	RETAINER, PIPE	1							
28	2	129150-59131	BOLT, M4X14	2							
30	1	129211-59810	PIPE ASSY, INJECTION	1							
31	1	129211-59820	PIPE ASSY, INJECTION	1							
32	1	129211-59830	PIPE ASSY, INJECTION	1							
33	1	124066-59100	CLIP, HOSE 8	5							
34	1	121250-59550	PIPE, FUEL D8X120	2							
35	1	119840-59500	PIPE ASSY, RETURN	1							
36	2	124066-59100	CLIP, HOSE 8	2							
37	2	119840-59560	PIPE, FUEL RETURN	1							
38	1	119840-59570	JOINT	1							
39	1	129150-59580	CAP	1							
40	1	129100-59951	VALVE ASSY, CHECK	1							
48	1	22190-120002	WASHER, SEAL 12	2							
49	1	129210-59130	PIPE ASSY, FUEL	1							
50	2	124766-59050	CLIP, HOSE 12	2							
51	2	105025-59750	PIPE, FUEL	1							

Fig.14. FUEL LINE



(A)=3TNE88-ECB

(B)=

(C)=

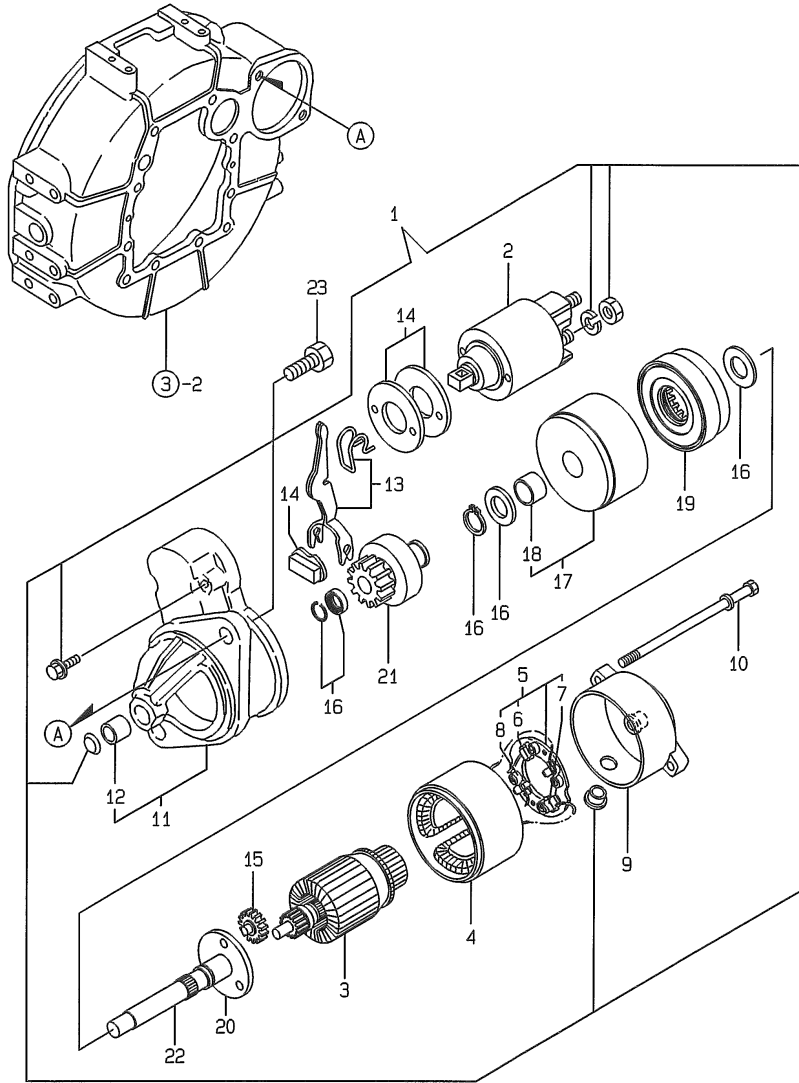
(D)=

(E)=

(F)=

No.	Lev.	Parts No.	Description	Q'ty						I	R
				(A)	(B)	(C)	(D)	(E)	(F)		
1	1	129052-55620	FILTER ASSY, FUEL	1							
2	2	104200-55321	VALVE, TAPER	1							
3	2	104200-55330	SPRING, VALVE	1							
4	2	129100-55650	ELEMENT	1							
6	2	129100-55670	LEVER	1							
7	2	129100-55680	CUP, STRAINER	1							
8	2	129100-55690	RING, RETAINING	1							
9	2	129100-55700	SPRING	1							
10	2	104200-55750	SCREW, M4	1							
11	2	24311-000160	O-RING, 1AP16.0	1							
12	2	24311-240100	O-RING, 1AP10A	1							
13	2	24321-000650	O-RING, 1AG65.0	1							
14	1	26014-080702	BOLT, M8X 70	1							
15	1	103854-39140	BOLT, PIPE JOINT	1							
16	1	101304-59020	JOINT, PIPE 12	1							
17	1	22190-120002	WASHER, SEAL 12	2							
18	1	129210-59040	PIPE ASSY, FUEL	1							
19	2	124766-59050	CLIP, HOSE 12	2							
20	2	129555-59510	PIPE, D13/7.5X180	1							
21	1	129210-59130	PIPE ASSY, FUEL	1							
22	2	124766-59050	CLIP, HOSE 12	2							
23	2	105025-59750	PIPE, FUEL	1							

Fig.15. STARTING MOTOR

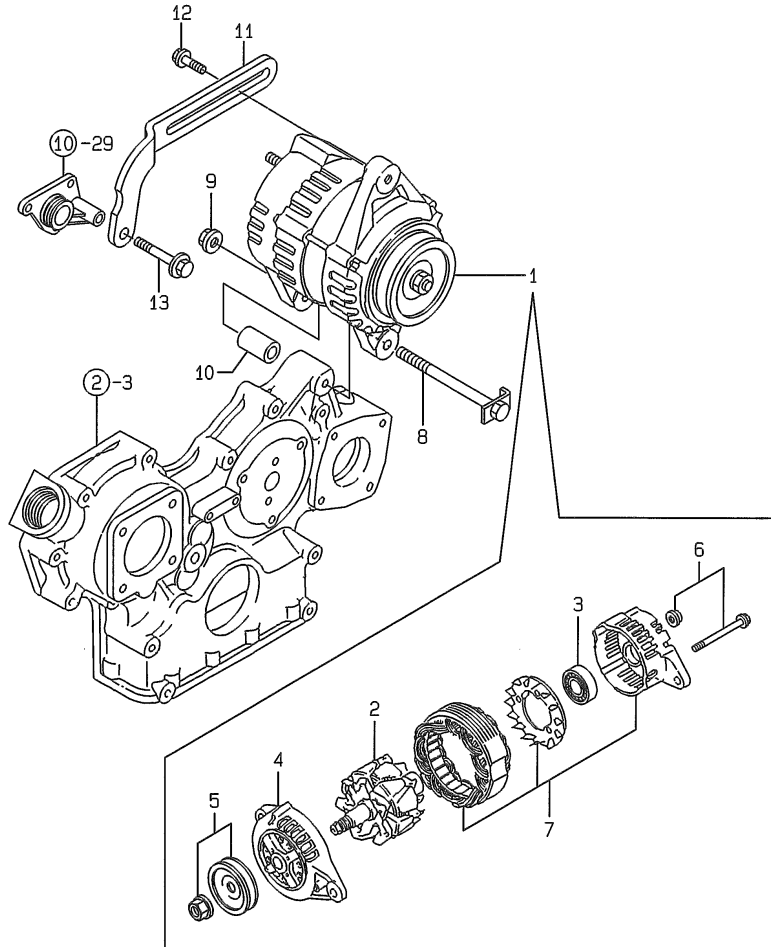


(A)=3TNE88-ECB
(B)=
(C)=

(D)=
(E)=
(F)=

No.	Lev.	Parts No.	Description	Q'ty						I	R
				(A)	(B)	(C)	(D)	(E)	(F)		
1	1	129698-77010	STARTER, 12V1.2KW	1							
2	2	124298-77020	SWITCH, MAGNETIC	1							
3	2	129698-77100	ARMATURE ASSY	1							
4	2	129698-77110	YOKE ASSY	1							
5	2	129698-77120	HOLDER ASSY, BRUSH	1							
6	3	129698-77140	BRUSH SET	1							
7	3	129698-77130	BRUSH	2							
8	3	129698-77150	SPRING, BRUSH	4							
9	2	129698-77161	COVER ASSY	1							
10	2	124195-77770	BOLT, THROUGH	2							
11	2	129698-77260	CASE ASSY	1							
12	3	X2114535200	METAL, STARTER	1							
13	2	129698-77270	LEVER SET, SHIFT	1							
14	2	129698-77280	COVER KIT	1							
15	2	129698-77240	GEAR	3							
16	2	129698-77250	WASHER SET	1							
17	2	129698-77180	BRACKET	1							
18	3	129698-77190	BRACKET	1							
19	2	129698-77200	GEAR, INTERNAL	1							
20	2	129698-77210	BRACKET	1							
21	2	129698-77220	PINION ASSY	1							
22	2	129698-77230	SHAFT	1							
23	1	26116-120252	BOLT, M12X 25 PLATED	2							

Fig.16. GENERATOR



(A)=3TNE88-ECB
(B)=
(C)=

(D)=
(E)=
(F)=

No.	Lev.	Parts No.	Description	Q'ty						I	R
				(A)	(B)	(C)	(D)	(E)	(F)		
1	1	119836-77201	GENERATOR	1							
2	2	129612-77700	ROTOR ASSY	1							
3	2	129612-77710	BEARING, BALL	1							
4	2	129612-77730	BRACKET ASSY, FILTER	1							
5	2	129612-77740	PULLEY	1							
6	2	129612-77750	SCREW KIT	1							
7	2	119836-77920	BRACKET ASSY	1							
8	1	129136-77251	BOLT, M8X110	1							
9	1	129612-77260	NUT, ALTERNATOR	1							
10	1	119820-77340	PIECE, DISTANCE	1							
11	1	129100-77330	ADJUSTER	1							
12	1	119810-77340	BOLT, ADJUSTER	1							
13	1	26106-080502	BOLT, M8X 50 PLATED	1							

Fig.17. GASKET SET

(A)=3TNE88-ECB

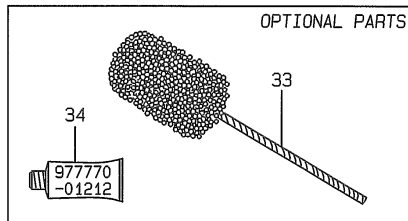
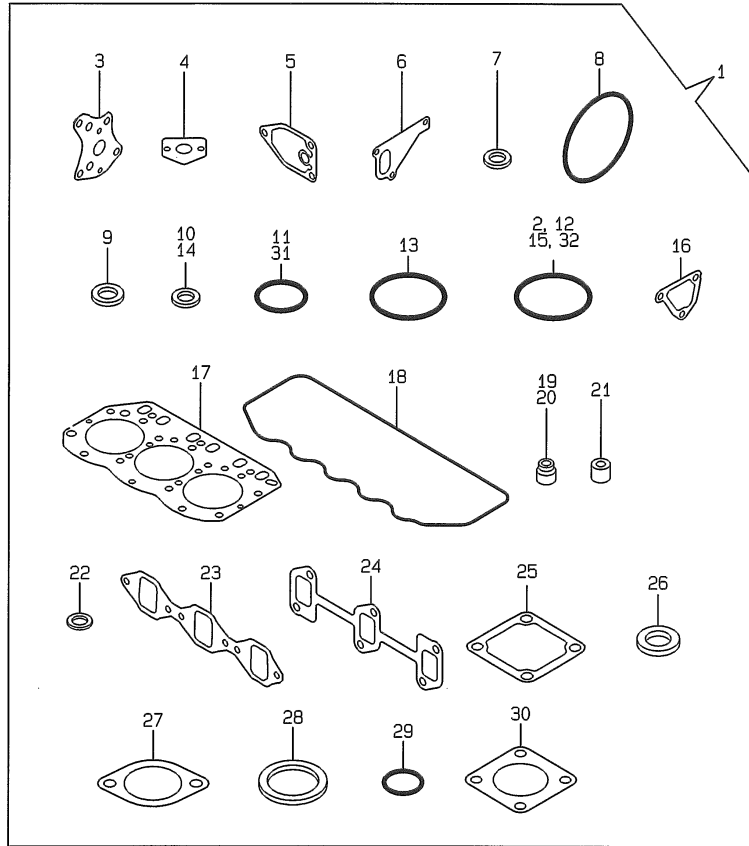
(B)=

(C)=

(D)=

(E)=

(F)=



No.	Lev.	Parts No.	Description	Q'ty						I	R
				(A)	(B)	(C)	(D)	(E)	(F)		
1	1	729030-92780	GASKET SET	1							1
2	2	24341-000500	O-RING, 1AS50.0	1							
3	2	129150-32020	GASKET, PUMP	1							
4	2	129150-35041	GASKET	1							
5	2	129150-35111	GASKET	1							
6	2	129486-42021	GASKET, WATER PUMP	1							
7	2	22190-080003	WASHER, SEAL 8	5							
8	2	121850-51960	O-RING	1							
9	2	22190-120002	WASHER, SEAL 12	4							
10	2	22190-100002	WASHER, SEAL 10	2							
11	2	24311-000160	O-RING, 1AP16.0	1							
12	2	129486-42140	O-RING, G30	1							
13	2	24341-000240	O-RING, 1AS24.0	1							
14	2	22190-080002	WASHER, SEAL 6	2							
15	2	24311-000320	O-RING, 1AP32.0	2							
16	2	129100-49840	GASKET	1							
17	2	129001-01340	GASKET, HEAD	1							
18	2	129150-11310	GASKET, BONNET	1							
19	2	121400-11340	SEAL, VALVE STEM	3							
20	2	124460-11340	SEAL, VALVE STEM	3							
21	2	119625-11870	PROTECTOR, NOZZLE	3							
22	2	119625-11880	SEAT, NOZZLE	3							
23	2	129150-12111	GASKET, MANIFOLD	1							
24	2	129150-13110	GASKET	1							
25	2	129150-77511	GASKET	1							
26	2	124465-44950	GASKET, 16	2							
27	2	129795-49551	GASKET	1							
28	2	129150-49811	GASKET, THERMOSTAT	1							
29	2	24311-000120	O-RING, 1AP12.0	3							
30	2	124701-11911	GASKET, SILENCER	1							
31	2	119609-32040	O-RING, P16	2							
32	2	24321-000800	O-RING, 1AG80.0	1							
33	1	129400-92430	HONE	1							1
34	1	977770-01212	GASKET, LIQUID	1							1

Remarks
(1) OPTIONAL PART.

Parts No. Index

Parts No.	Fig. No.	Ref. No.
101304-59020	14	16
103854-39140	14	15
104200-55321	14	2
104200-55330	14	3
104200-55750	14	10
105025-59750	13	51
	14	23
114250-39450	9	28
114250-53080	13	5
114250-53120	13	9
114250-53130	13	10
114250-53140	13	11
114250-53210	13	12
114250-53400	13	13
119131-18320	6	5
119285-66610	12	92
119600-66840	12	64
119609-32040	2	18
	17	31
119620-01750	3	3
119620-49290	10	33
119625-11870	4	21
	17	21
119625-11880	4	22
	17	22
119625-11900	4	23
119640-01640	3	8
119653-77950	12	85
119660-61901	12	61
119810-77340	16	12
119820-77340	16	10
119836-77201	16	1
119836-77920	16	7
119840-59500	13	35
119840-59560	13	37
119840-59570	13	38
119865-21600	8	14
119908-61501	12	33
120130-11860	4	8
120323-61470	12	81
121023-01550	2	24
121111-21501	8	11
121250-44901	10	1
121250-59550	13	34
121400-11340	4	18
	17	19
121450-01560	2	2
121450-42450	10	36
121520-34810	9	14
121550-23200	8	27

Parts No.	Fig. No.	Ref. No.
121850-21680	8	10
121850-51960	2	16
	17	8
122710-51090	11	10
124066-59100	13	33
		36
124101-49531	10	20
124160-01751	2	12
	4	52
124160-01910	1	4
124160-11360	4	50
124160-39140	9	29
124195-77770	15	10
124240-01871	2	13
124298-77020	15	2
124460-11340	4	19
	17	20
124465-44950	10	27
		28
	17	26
124550-01590	2	6
		9
124550-51350	11	32
124550-51370	11	33
124550-59820	9	35
124550-59830	9	34
124701-11911	6	7
	17	30
124766-59050	13	50
	14	19
		22
124950-51190	11	17
129001-01250	1	10
129001-01340	1	24
	17	17
129001-02930	1	17
129001-21100	8	1
129001-22070	8	15
129001-22500	8	17
129001-22930	8	30
129001-22950	8	32
129001-32001	9	1
129001-35300	9	24
129001-42003	10	2
129001-42040	10	29
129001-91841	2	17
129051-11700	4	4
129052-55620	14	1
129052-61050	12	5
129052-61060	12	6

Parts No.	Fig. No.	Ref. No.
129052-61070	12	7
129052-61390	12	18
129100-01580	3	1
		14
	8	2
129100-01640	3	15
129100-01730	3	6
129100-11100	4	13
129100-11110	4	14
129100-13110	6	1
129100-23910	8	26
129100-25061	7	15
129100-49840	10	24
	17	16
129100-51560	11	51
129100-51570	11	50
129100-52100	11	97
129100-55650	14	4
129100-55670	14	6
129100-55680	14	7
129100-55690	14	8
129100-55700	14	9
129100-59951	13	40
129100-61400	12	19
129100-61440	12	80
129100-61650	12	82
129100-77330	16	11
129120-77501	5	6
129122-12100	5	1
129128-21590	8	12
129129-14580	7	3
129136-77251	16	8
129150-01200	1	23
129150-02020	1	6
129150-02450	7	4
129150-02870	1	28
129150-02930	1	20
129150-02940	1	25
129150-03020	4	45
129150-03070	4	47
129150-03080	4	46
129150-03100	2	15
129150-11230	4	34
129150-11280	4	29
129150-11290	4	30
129150-11310	4	44
	17	18
129150-11370	4	20
129150-11750	4	36
129150-11810	4	10

Parts No.	Fig. No.	Ref. No.
129150-12111	5	2
	17	23
129150-13110	6	2
	17	24
129150-14101	7	6
129150-14200	7	1
129150-14400	7	2
129150-21200	8	4
129150-23600	8	28
129150-23610	8	36
129150-25101	7	9
129150-25301	7	14
129150-25920	7	12
129150-25931	7	13
129150-32020	9	38
	17	3
129150-35041	9	15
	17	4
129150-35091	9	16
129150-35101	9	21
129150-35111	9	22
	17	5
129150-35151	9	23
129150-35350	9	25
129150-39450	9	30
129150-49811	10	23
	17	28
129150-59120	13	25
129150-59131	13	28
129150-59580	13	39
129150-77511	5	4
	17	25
129155-11241	4	26
129155-11260	4	27
129155-11270	4	28
129155-49800	10	22
129155-51020	11	5
129155-51050	11	8
129155-51140	11	14
129155-51180	11	16
129155-51200	11	18
129155-51270	11	25
129155-51280	11	26
	12	2
129155-51380	11	35
129155-51390	11	36
129155-51400	11	37
129155-51410	11	38
129155-51420	11	39
129155-51450	11	40

Parts No. Index

Parts No.	Fig. No.	Ref. No.
129155-51500	11	45
129155-51521	11	46
129155-51530	11	47
129155-51540	11	48
129155-51550	11	49
129155-51570	11	52
129155-51580	11	53
129155-51591	11	54
129155-51600	11	55
129155-51701	11	74
129155-51711	11	75
129155-51751	11	76
129155-51760	11	77
129155-51790	11	78
129155-51930	11	80
129155-51940	11	81
129155-52050	11	96
129155-61120	12	8
129155-61130	12	9
129155-61140	12	10
129155-61341	12	15
129155-61350	12	16
129155-61360	12	17
129155-61430	12	22
129155-61450	12	26
129155-61460	12	27
129155-61480	12	28
129155-61830	12	60
129155-61950	12	62
129156-51910	11	79
129171-51040	11	6
129202-22300	8	21
129208-51060	11	9
129208-54500	11	90
129209-51300	11	27
129209-53000	13	2
129209-61370	12	63
129209-61930	12	84
129209-61940	12	89
129209-61970	12	87
129210-59040	14	18
129210-59130	13	49
	14	21
129211-59810	13	30
129211-59820	13	31
129211-59830	13	32
129400-92430	17	33
129403-42380	10	16
129430-26070	7	17
129470-51101	11	11

Parts No.	Fig. No.	Ref. No.
129486-01670	3	18
129486-42021	10	32
	17	6
129486-42140	10	30
	17	12
129486-61201	12	11
129486-61540	12	52
129555-59510	14	20
129573-51330	11	30
129573-51340	11	31
129573-51370	11	34
129612-01600	3	2
129612-77260	16	9
129612-77700	16	2
129612-77710	16	3
129612-77730	16	4
129612-77740	16	5
129612-77750	16	6
129698-77010	15	1
129698-77100	15	3
129698-77110	15	4
129698-77120	15	5
129698-77130	15	7
129698-77140	15	6
129698-77150	15	8
129698-77161	15	9
129698-77180	15	17
129698-77190	15	18
129698-77200	15	19
129698-77210	15	20
129698-77220	15	21
129698-77230	15	22
129698-77240	15	15
129698-77250	15	16
129698-77260	15	11
129698-77270	15	13
129698-77280	15	14
129795-01780	3	17
129795-01800	2	5
129795-01950	2	14
129795-02411	1	13
129795-11120	4	15
129795-11180	4	16
129795-21661	8	9
129795-49551	10	21
	17	27
129900-07900	4	2
158552-61900	12	72 -1
171051-01921	1	5
171340-21650	8	8

Parts No.	Fig. No.	Ref. No.
171340-44740	10	17
171350-03090	4	1
171353-01520	2	1
171353-01580	2	3
171353-44760	10	18
171353-61700	12	83
171420-34800	9	40
174307-51170	11	15
174307-51700	12	34
22117-040000	12	65
22190-060003	12	66
22190-080002	9	36
		41
	17	14
22190-080003	2	7
		10
	17	7
22190-100002	9	37
	12	67
	17	10
22190-120002	12	68
	13	48
	14	17
	17	9
22190-160002	11	82
22190-220002	3	10
22217-050000	11	83
22217-060000	11	84
22217-120000	11	92
22252-000260	8	22
22287-120000	12	69
22351-040010	8	7
22351-050010	11	85
22351-060012	4	51
22372-040000	12	70
22512-070140	7	7
	8	5
23414-120016	12	88
23876-010000	1	9
23876-030000	10	13
23887-100002	12	71
24101-063034	11	86
24311-000120	4	24
	17	29
24311-000150	12	91
24311-000160	9	26
	14	11
	17	11
24311-000320	2	19
	4	53

Parts No.	Fig. No.	Ref. No.
24311-000320	17	15
24311-240100	14	12
24321-000650	14	13
24321-000800	7	18
	17	32
24341-000160	11	87
24341-000240	2	25
	17	13
24341-000280	12	72
24341-000500	4	48
	17	2
25132-003700	10	15
26014-080702	14	14
26022-050122	11	88
26022-060162	11	89
26106-060102	12	73
		74
26106-060142	12	75
26106-060162	2	26
26106-060202	12	76
26106-060352	10	19
26106-080142	7	8
26106-080162	2	8
		11
		20
	3	11
	4	3
		49
	10	31
26106-080202	9	27
26106-080252	3	12
	4	38
	5	3
	7	19
	10	25
26106-080352	3	20
	5	5
	9	20
26106-080452	2	21
	3	13
		13 -1
	7	16
26106-080502	3	21
	4	39
	16	13
26106-080552	2	22
26106-080602	10	14
26106-080652	10	26
26106-080802	6	4
26106-100302	7	20

Parts No. Index

Parts No.	Fig. No.	Ref. No.
26116-050302	11	4
26116-120252	15	23
26206-100252	3	4
26206-100302	3	5
26216-060202	4	11
26216-080802	6	6
26226-080182	4	37
26306-080002	2	23
	6	3
26366-060002	4	25
26366-080002	12	86
26450-060252	9	39
26716-060002	11	7
26716-120002	11	93
26736-120002	12	77
26756-060002	12	78
26776-120002	12	79
27241-120000	1	11
27241-300000	1	12
27241-400000	4	12
27310-080001	4	17
729001-01560	1	1
729030-92780	17	1
729102-01540	3	7
729132-11521	4	40
729209-51460	11	1
729209-53100	13	1
729402-11650	4	33
729402-23100	8	23
977770-01212	2	27
	3	19
	17	34
X2114535200	15	12

Parts No.	Fig. No.	Ref. No.
-----------	----------	----------

Parts No.	Fig. No.	Ref. No.
-----------	----------	----------

Parts No.	Fig. No.	Ref. No.
-----------	----------	----------