

OCV10-M84400EN

P R E F A C E

1. This Parts Catalog carries all parts incorporated in YANMAR Model 3TNE88—ENKR engine manufactured since April, 2002.
2. Each illustration corresponds to the parts list on the following page.
3. When ordering parts, clearly write down the engine model and serial number, as well as the name and number of each part in your order sheet. This will help insure reliable delivery of the parts you have ordered.

Directions for the Parts Catalog.

1. This Parts Catalog shows both standard and optional parts.
2. Parts may change without prior notice.
3. The following is an example of the Parts Catalog format.

REF.	LEV.	PARTS NO.	DESCRIPTION	Q'TY						I	R
				(A)	(B)	(C)	(D)	(E)	(F)		
1	1	729595-51390	FUEL INJECTION PUMP	1	1	1	1	1			1
1-1	1	729595-51391	FUEL INJECTION PUMP	1	1	1	1	1		N	1
		(A=E00185) (B=E00200)									
3	2	26022-060162	SCREW M 6X 16	9	9	9	9	9			
3-1	2	26022-060162	SCREW M 6X 16	4	4	4	4	4		K	
		(A=E00156) (B=E00156) (C=E00156) (D=E00156) (E=E00156)									
4	2	129470-51040	CAMSHAFT	1	1	1	1	1			
5	2	122710-51050	BEARING, ROLLER	2	2	2	2	2			
6	2	129470-51060	RETAINER	1	1	1	1	1			

Remarks
(1) BOOST COMPEMSATOR TYPE. OPTIONAL PART, TO E00155,(4JH-DT, 4JH-DTZ

① Ref. No.

The Ref. No. listed may not be in accordance with the illustration Ref. No.

(Ex.) Illustration No.

List Ref No.

1

1

(Before change)

1-1

(After change)

For interchangeable symbols N, R and K, illustrations for new parts may be abbreviated.

② Lev. (Level)

Level indication

The numbers below indicate the level of relativity towards the main part.

1 ----- Main parts (Assembly parts)

2 ----- Sub component included in " 1 ".

3 ----- Sub component included in " 2 ".

Note) Parts that are not for sale are partially illustrated but not listed.

③ Interchangeability Symbol

When a part change takes place, one of the following interchangeability symbols is indicated beside the part.

Symbol	Interchangeability	Contents note
N	Old $\begin{matrix} \leftarrow \text{Yes} \\ \text{No} \rightarrow \end{matrix}$ New	New Part is interchangeable for Old Part but Old Part is not interchangeable for New Part.
Q	Old $\begin{matrix} \leftarrow \text{No} \\ \text{Yes} \rightarrow \end{matrix}$ New	New Part is not interchangeable for Old Part but Old Part is interchangeable for New Part.
R	Old $\begin{matrix} \leftarrow \text{Yes} \\ \text{Yes} \rightarrow \end{matrix}$ New	New/ Old Parts are both interchangeable.
S	Old $\begin{matrix} \leftarrow \text{No} \\ \text{No} \rightarrow \end{matrix}$ New	New/ Old Parts are both not interchangeable.
W		Part newly added.
Z		Part discontinued.
F		Not interchangeable by a single part but interchangeable together with related parts.
K		Changes only for used parts quantities.

④ Effective Machine No.

When a part changes, the effective Machine No. will be indicated in the (A)-(F) column.

Product Symbol	Product No.	Product Symbol	Product No.
C	Clutch No. Compressor No.	F	Machine No. (Agricultural Equip.)
D	Drive No.	M	Machine No.
E	Engine No.		

Note 1) A date may follow the symbol. (Ex.) 1996.01

Note 2) "XXXXX" and "ZZZZZ" are for parts that could not be predicted or for engine models that could not be identified.

Note 3) (A=E00185) is the E (Engine Serial Number) for the column (A) model (in this case 4JH-DT) after the parts design change.

⑤ Remarks

Figures or alphabets (symbols) are entered in the remarks column.

The comments (remarks) on parts that are indicated at the bottom of the illustration are the same symbols as those stated above.

Contents

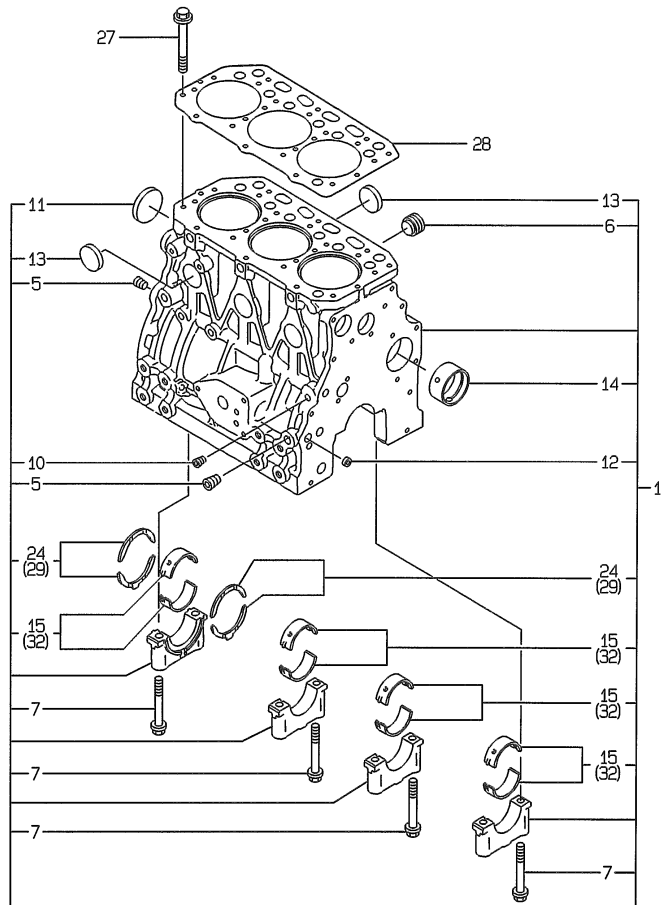
Fig. No. Fig. Name

3TNE88-ENKR

1. CYLINDER BLOCK
2. GEAR HOUSING
3. FLYWHEEL HOUSING & OIL SUMP
4. CYLINDER HEAD & BONNET
5. SUCTION MANIFOLD
6. EXHAUST MANIFOLD & SILENCER
7. CAMSHAFT & DRIVING GEAR
8. CRANKSHAFT & PISTON
9. LUB.OIL SYSTEM
10. COOLING WATER SYSTEM
11. FUEL INJECTION PUMP
12. GOVERNOR
13. FUEL INJECTION VALVE
14. FUEL LINE
15. STARTING MOTOR
16. GENERATOR
17. GASKET SET

Fig. No. Fig. Name

Fig.1. CYLINDER BLOCK



(A)=3TNE88-ENKR

(B)=

(C)=

(D)=

(E)=

(F)=

No.	Lev.	Parts No.	Description	Q'ty						I	R
				(A)	(B)	(C)	(D)	(E)	(F)		
1	1	729001-01560	BLOCK ASSY, CYLINDER	1							
5	2	124160-01910	PLUG, PT1/4	3							
6	2	171051-01921	PLUG, NPTF1	1							
7	2	129150-02020	BOLT, METAL CAP	8							
10	2	23876-010000	PLUG, R01	1							
11	2	129001-01250	PLUG, 50	1							
12	2	27241-120000	PLUG, 12	2							
13	2	27241-300000	PLUG 30	6							
14	2	129795-02411	BUSH, CAMSHAFT	1							
15	2	129001-02800	BEARING, MAIN	4							
24	2	129150-02930	BEARING, THRUST	2							
27	1	129150-01200	BOLT, HEAD	14							
28	1	129001-01340	GASKET, HEAD	1							
29	1	129150-02940	BEARING, THRUST 0.25	1							1
32	1	129150-02870	BEARING, 0.25 US	4							2

Remarks

- (1) OVER-SIZE(O.S=0.25)PART.
- (2) UNDER-SIZE(U.S=0.25)PART.

Fig.2. GEAR HOUSING

(A)=3TNE88-ENKR

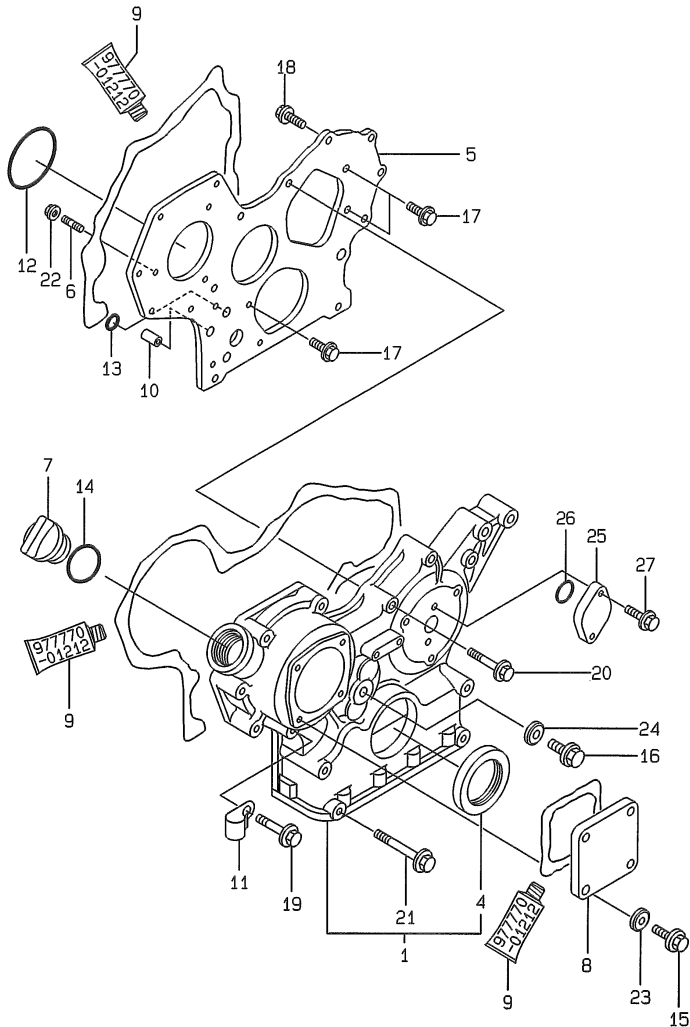
(B)=

(C)=

(D)=

(E)=

(F)=

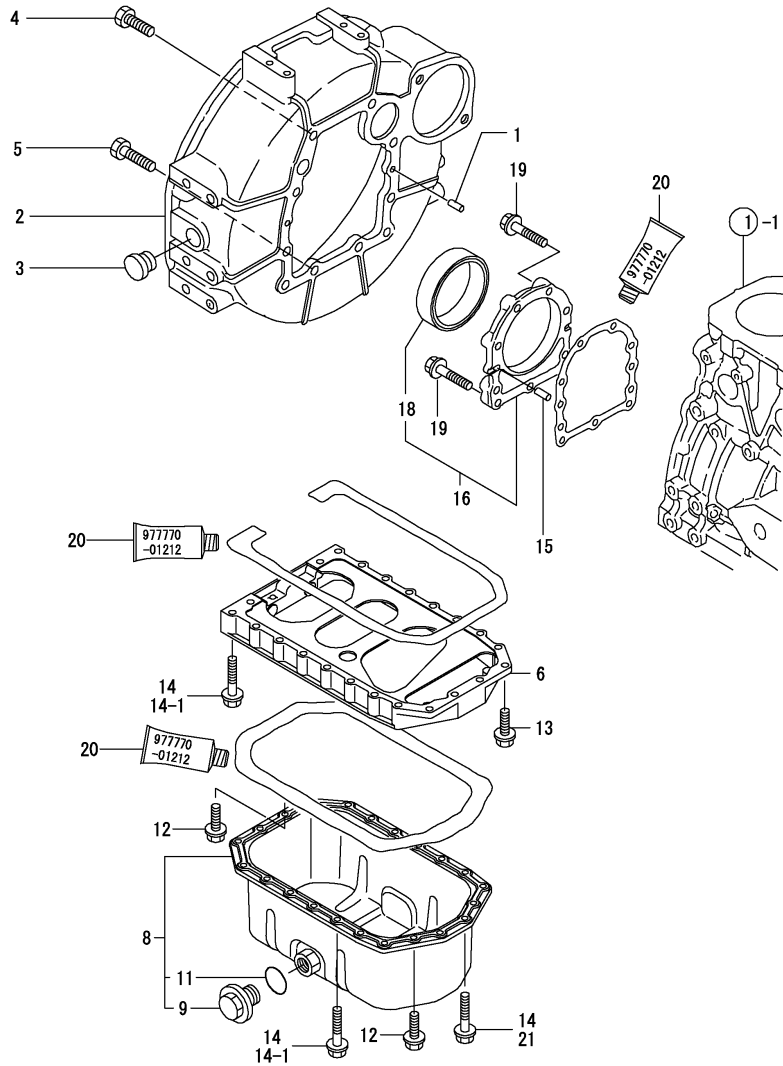


No.	Lev.	Parts No.	Description	Q'ty						I	R
				(A)	(B)	(C)	(D)	(E)	(F)		
1	1	719810-01500	CASE ASSY, GEAR	1							
4	2	129795-01800	SEAL, OIL	1							
5	1	129400-01520	FLANGE, GEAR CASE	1							
6	1	121450-01560	STUD, M8X22	3							
7	1	124160-01751	COVER, FILLER	1							
8	1	124240-01871	COVER	1							
9	1	977770-01212	GASKET, LIQUID	1							1
10	1	129795-01950	PIPE, KNOCK L=18	2							
11	1	129150-03100	RETAINER, PIPE	1							
12	1	121850-51960	O-RING	1							
13	1	119609-32040	O-RING, P16	2							
14	1	24311-000320	O-RING, 1AP32.0	1							
15	1	26106-080122	BOLT, M8X 12 PLATED	4							
16	1	26106-080162	BOLT, M8X 16 PLATED	1							
17	1	26106-080162	BOLT, M8X 16 PLATED	3							
18	1	26106-080202	BOLT, M8X 20 PLATED	2							
19	1	26106-080452	BOLT, M8X 45 PLATED	6							
20	1	26106-080552	BOLT, M8X 55 PLATED	3							
21	1	129001-91841	BOLT, M8X85	4							
22	1	26306-080002	NUT, M8	3							
23	1	22190-080002	WASHER, SEAL 6	4							
24	1	22190-080002	WASHER, SEAL 6	1							
25	1	121023-01550	COVER	1							
26	1	24341-000240	O-RING, 1AS24.0	1							
27	1	26106-060162	BOLT, M6X 16 PLATED	2							

Remarks

(1) OPTIONAL PART.

Fig.3. FLYWHEEL HOUSING & OIL SUMP



(A)=3TNE88-ENKR

(B)=

(C)=

(D)=

(E)=

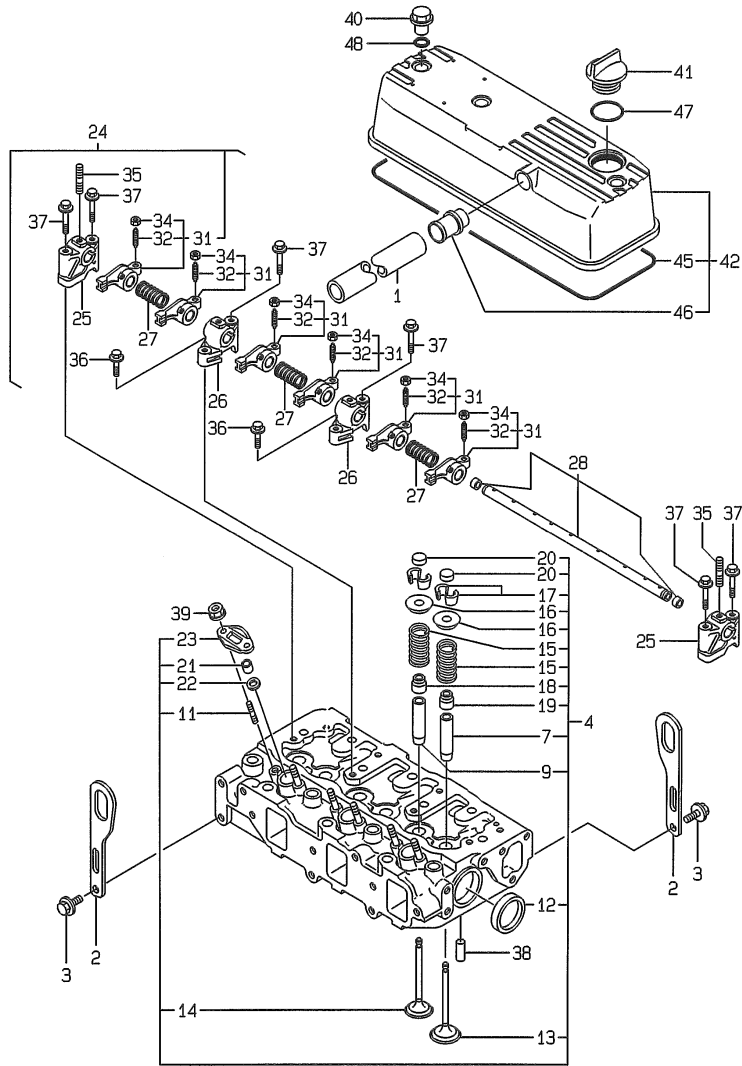
(F)=

No.	Lev.	Parts No.	Description	Q'ty						I	R
				(A)	(B)	(C)	(D)	(E)	(F)		
1	1	129100-01580	PIN, M8X16	2							
2	1	129612-01600	HOUSING, FLYWHEEL	1							
3	1	119620-01750	CAP	1							
4	1	26206-100252	BOLT, M10X 25 PLATED	6							
5	1	26206-100302	BOLT, M10X 30 PLATED	4							
6	1	129100-01730	SPACER, OIL SUMP	1							
8	1	129100-01760	SUMP ASSY, OIL	1							
9	2	171301-01640	PLUG, 22	1							
11	2	24341-000250	O-RING, 1AS25.0	1							
12	1	26106-080162	BOLT, M8X 16 PLATED	4							
13	1	26106-080252	BOLT, M8X 25 PLATED	2							
14	1	26106-080452	BOLT, M8X 45 PLATED	20							
14-1	1	26106-080452	BOLT, M8X 45 PLATED	16							K
(A=FROM 1ST)											
15	1	129100-01580	PIN, M8X16	2							
16	1	129100-01640	CASE ASSY, OIL SEAL	1							
18	2	129795-01780	SEAL, OIL	1							
19	1	129486-01670	BOLT, M8X30	9							
20	1	977770-01212	GASKET, LIQUID	1							1
21	1	26106-080502	BOLT, M8X 50 PLATED	4							W
(A=FROM 1ST)											

Remarks

(1) OPTIONAL PART.

Fig.4. CYLINDER HEAD & BONNET



(A)=3TNE88-ENKR

(B)=

(C)=

(D)=

(E)=

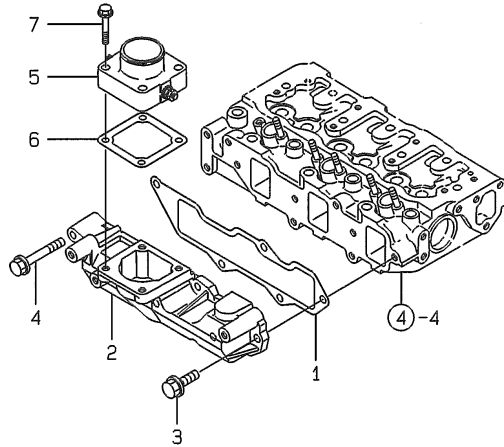
(F)=

No.	Lev.	Parts No.	Description	Q'ty						I	R
				(A)	(B)	(C)	(D)	(E)	(F)		
1	1	171350-03090	PIPE , BREATHER 900	1							
2	1	129900-07900	LIFTER	2							
3	1	26106-080142	BOLT, M8X 14 PLATED	4							
4	1	129051-11700	HEAD ASSY, CYLINDER	1							
7	2	120130-11860	GUIDE, VALVE	3							1
9	2	129150-11810	GUIDE, VALVE	3							1
11	2	26216-060202	STUD, M6X 20	6							
12	2	27241-400000	PLUG, 40	2							
13	2	129100-11100	VALVE, INTAKE	3							
14	2	129100-11110	VALVE, EXHAUST	3							
15	2	129795-11120	SPRING, VALVE	6							
16	2	129795-11180	RETAINER, SPRING	6							
17	2	27310-080001	COTTER, 8	6							
18	2	121400-11340	SEAL, VALVE STEM	3							
19	2	124460-11340	SEAL, VALVE STEM	3							
20	2	129150-11370	CAP, VALVE	6							
21	2	119625-11872	PROTECTOR, NOZZLE	3							
22	2	119625-11880	SEAT, NOZZLE	3							
23	2	119625-11900	RETAINER, NOZZLE	3							
24	1	129155-11241	SHAFT ASSY, ROCKER	1							
25	2	129155-11260	SUPPORT, ROCKER ARM	2							
26	2	129155-11270	SUPPORT, ROCKER ARM	2							
27	2	129150-11280	SPRING	3							
28	2	129150-11290	SHAFT, ROCKER ARM	1							
31	2	729402-11650	ARM ASSY, ROCKER	6							
32	3	129150-11230	SCREW, VALVE ADJUST	6							
34	3	129150-11750	NUT, M8	6							
35	2	119802-11280	STUD	3							
36	1	26106-080252	BOLT, M8X 25 PLATED	2							
37	1	26106-080502	BOLT, M8X 50 PLATED	6							
38	1	22351-060012	PIN, SPRING 6.0X12	2							
39	1	26366-060002	NUT, M6	6							
40	1	124160-11360	KNOB	3							
41	1	124160-01751	COVER, FILLER	1							
42	1	129001-11351	BONNET ASSY, HEAD	1							
45	2	129001-11310	GASKET, BONNET	1							
46	2	129001-11340	PIPE , BREATHER	1							
47	1	24311-000320	O-RING, 1AP32.0	1							
48	1	24311-000120	O-RING, 1AP12.0	3							

Remarks

(1) REPAIR PART.

Fig.5. SUCTION MANIFOLD

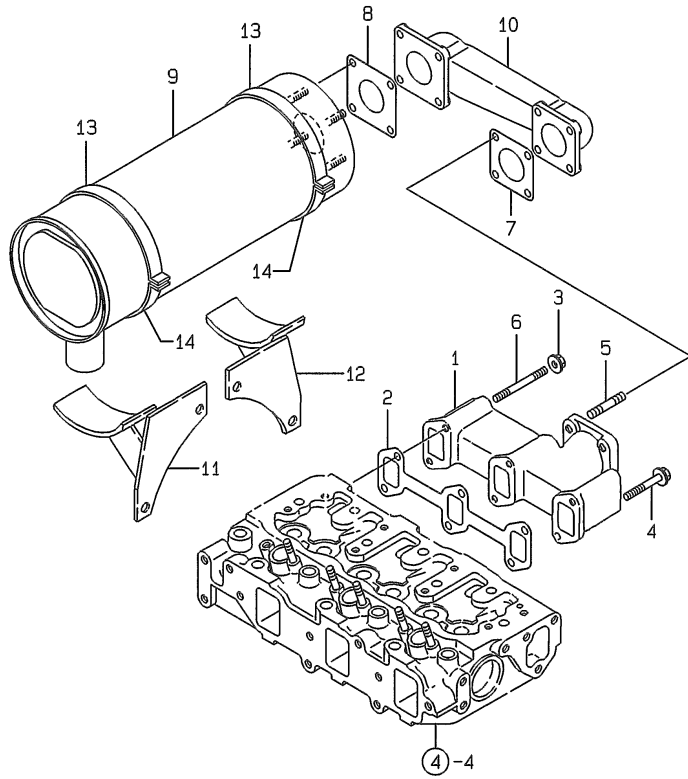


(A)=3TNE88-ENKR
(B)=
(C)=

(D)=
(E)=
(F)=

No.	Lev.	Parts No.	Description	Q'ty						I	R
				(A)	(B)	(C)	(D)	(E)	(F)		
1	1	129001-12110	GASKET, MANIFOLD	1							
2	1	129001-12120	MANIFOLD, AIR INTAKE	1							
3	1	26106-080202	BOLT, M8X 20 PLATED	4							
4	1	26106-080502	BOLT, M8X 50 PLATED	1							
5	1	129120-77501	HEATER	1							
6	1	129150-77511	GASKET	1							
7	1	26106-080352	BOLT, M8X 35 PLATED	4							

Fig.6. EXHAUST MANIFOLD & SILENCER

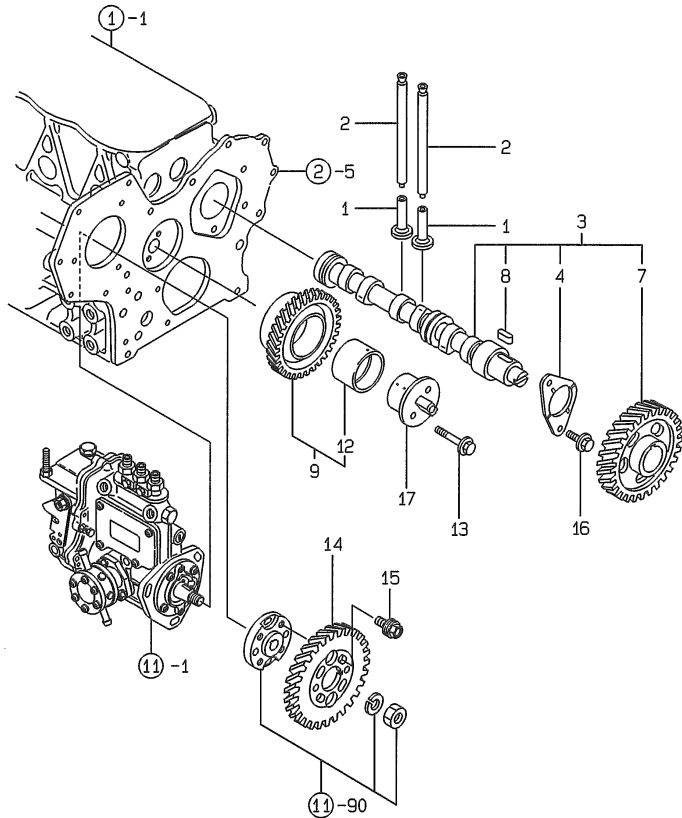


(A)=3TNE88-ENKR
(B)=
(C)=

(D)=
(E)=
(F)=

No.	Lev.	Parts No.	Description	Q'ty						I	R
				(A)	(B)	(C)	(D)	(E)	(F)		
1	1	129100-13110	MANIFOLD, EXHAUST	1							
2	1	129150-13110	GASKET	1							
3	1	26306-080002	NUT, M8	2							
4	1	26106-080802	BOLT, M8X 80 PLATED	4							
5	1	119131-18320	STUD, M8X22	4							
6	1	26216-080802	STUD, M8X 80	2							
7	1	124701-11911	GASKET, SILENCER	1							
8	1	129400-13201	GASKET, SILENCER	1							
9	1	129030-13511	SILENCER	1							
10	1	129030-13540	BEND, EXHAUST	1							
11	1	129030-13650	SUPPORT	1							
12	1	129130-13660	SUPPORT	1							
13	1	129111-13670	BAND, SILENCER	2							
14	1	129111-13680	BAND, SILENCER	2							

Fig.7. CAMSHAFT & DRIVING GEAR



(A)=3TNE88-ENKR
(B)=
(C)=

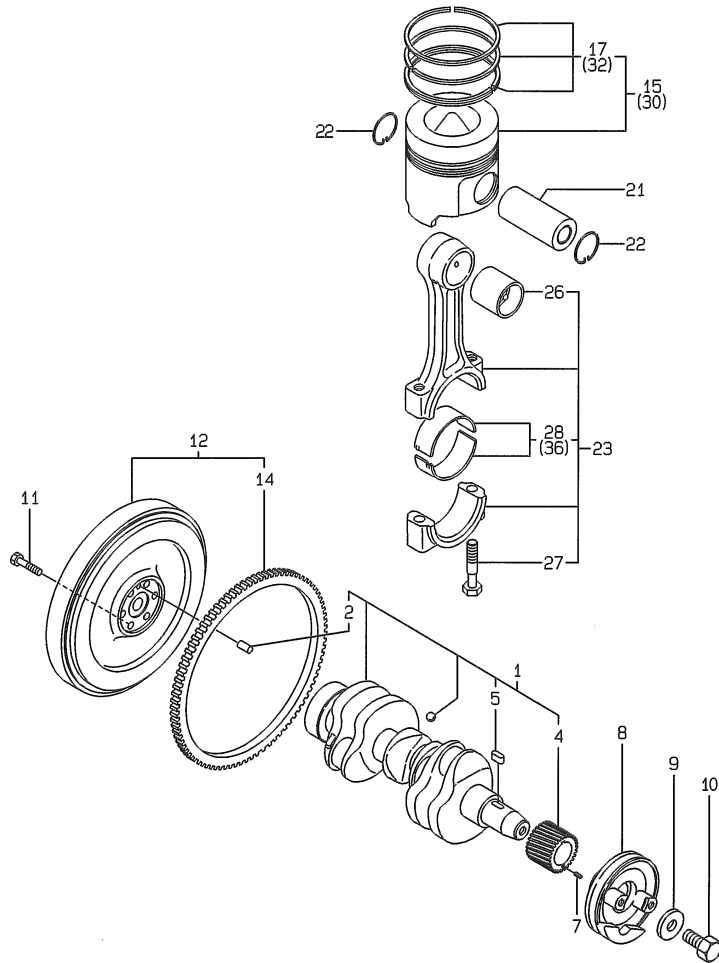
(D)=
(E)=
(F)=

No.	Lev.	Parts No.	Description	Q'ty						I	R
				(A)	(B)	(C)	(D)	(E)	(F)		
1	1	129150-14200	TAPPET	6							
2	1	129150-14400	ROD, PUSH L=178	6							
3	1	129129-14580	CAMSHAFT ASSY	1							
4	2	129150-02450	BEARING, THRUST	1							
7	2	129150-14101	GEAR, CAMSHAFT	1							
8	2	22512-070140	KEY, 7X 14	1							
9	1	129150-25101	GEAR ASSY, IDLE	1							
12	2	129150-25920	BUSH, IDLE GEAR	1							1
13	1	26106-080452	BOLT, M8X 45 PLATED	2							
14	1	129150-25931	GEAR, PUMP	1							
15	1	129150-25301	BOLT	4							
16	1	26106-080142	BOLT, M8X 14 PLATED	2							
17	1	129100-25061	SHAFT, IDLE	1							

Remarks

(1) REPAIR PART.

Fig.8. CRANKSHAFT & PISTON



(A)=3TNE88-ENKR

(B)=

(C)=

(D)=

(E)=

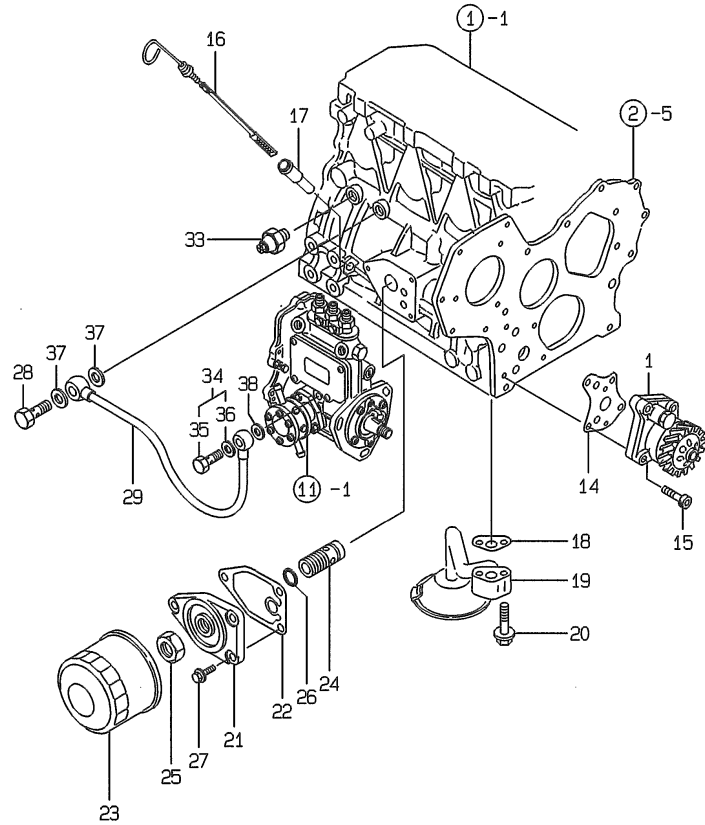
(F)=

No.	Lev.	Parts No.	Description	Q'ty						I	R
				(A)	(B)	(C)	(D)	(E)	(F)		
1	1	129001-21100	CRANKSHAFT ASSY	1							
2	2	129100-01580	PIN, M8X16	1							
4	2	129150-21200	GEAR, CRANKSHAFT	1							
5	2	22512-070140	KEY, 7X 14	1							
7	1	22351-040010	PIN, SPRING 4.0X10	1							
8	1	129150-21651	V-PULLEY	1							
8-1	1	171340-21650	V-PULLEY	1							N
		(A=E48155)									
9	1	129795-21661	WASHER	1							
10	1	121850-21680	BOLT	1							
11	1	121111-21501	BOLT, FLYWHEEL	6							
12	1	129030-21590	FLYWHEEL ASSY	1							
14	2	119865-21600	GEAR, RING	1							
15	1	129001-22070	PISTON ASSY	3							
17	2	129001-22500	RING SET, PISTON	3							
21	1	129202-22300	PIN, PISTON D26 L70	3							
22	1	22252-000260	RING, 26	6							
23	1	729402-23100	ROD ASSY, CONNECTING	3							
26	2	129100-23910	BEARING, PISTON PIN	3							1
27	2	121550-23200	BOLT, CONNECTING ROD	6							
28	2	129150-23600	BEARING, CRANK PIN	3							
30	1	129001-22930	PISTON ASSY, 0.25 OS	3							2
32	2	129001-22950	RING SET, 0.25 OS	3							2
36	1	129150-23610	BEARING, 0.25 US	3							3

Remarks

- (1) REPAIR PART.
- (2) OVER-SIZE(O.S=0.25)PART.
- (3) UNDER-SIZE(U.S=0.25)PART.

Fig.9. LUB.OIL SYSTEM



(A)=3TNE88-ENKR

(B)=

(C)=

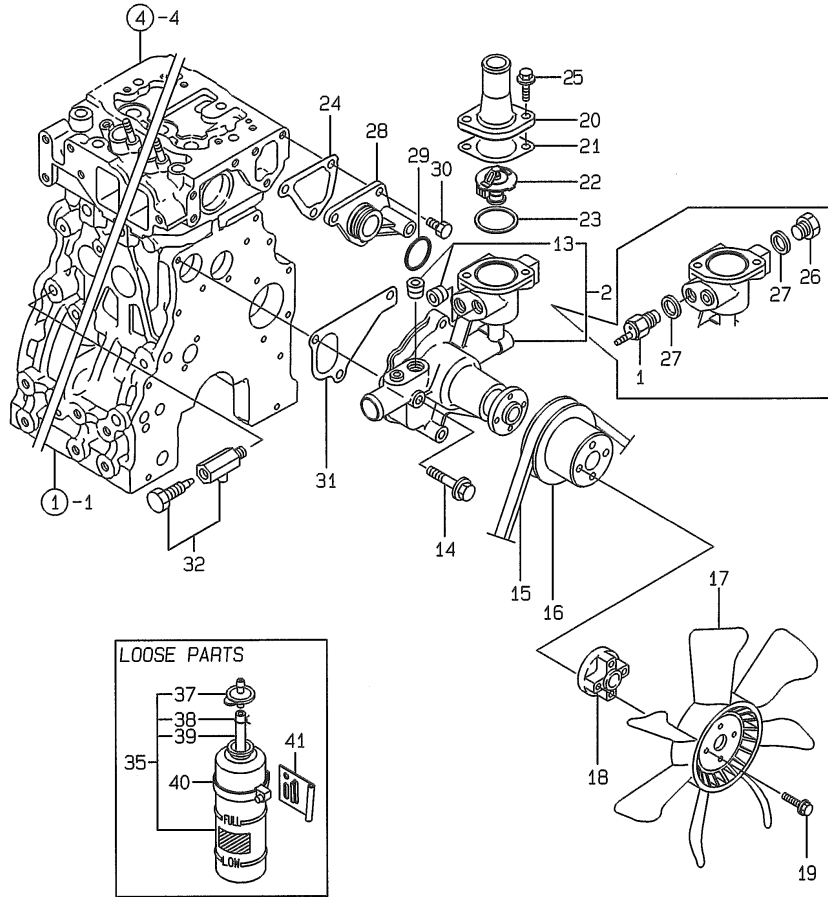
(D)=

(E)=

(F)=

No.	Lev.	Parts No.	Description	Q'ty						I	R
				(A)	(B)	(C)	(D)	(E)	(F)		
1	1	129001-32001	PUMP ASSY, OIL	1							
14	1	129150-32020	GASKET, PUMP	1							
15	1	26450-060252	BOLT, M6X 25	4							
16	1	171420-34820	DIPSTICK, OIL	1							
17	1	121520-34810	GUIDE, DIPSTICK	1							
18	1	129150-35041	GASKET	1							
19	1	129100-35301	PIPE ASSY, OIL INLET	1							
20	1	26106-080352	BOLT, M8X 35 PLATED	2							
21	1	129150-35101	BRACKET, STRAINER	1							
22	1	129150-35111	GASKET	1							
23	1	129150-35151	FILTER, D80XL80	1							
24	1	129001-35300	BOLT, FILTER	1							
25	1	129150-35350	NUT	1							
26	1	24311-000160	O-RING, 1AP16.0	1							
27	1	26106-080202	BOLT, M8X 20 PLATED	3							
28	1	124160-39140	BOLT, PIPE JOINT M10	1							
29	1	129150-39450	PIPE ASSY, OIL	1							
33	1	121252-39450	SWITCH, 0.5KG	1							
34	1	124550-59830	BOLT ASSY, JOINT M8	1							
35	2	124550-59820	BOLT, PIPE JOINT M8	1							
36	2	22190-080002	WASHER, SEAL 6	1							
37	1	22190-100002	WASHER, SEAL 10	2							
38	1	22190-080002	WASHER, SEAL 6	1							

Fig.10. COOLING WATER SYSTEM



(A)=3TNE88-ENKR
(B)=
(C)=

(D)=
(E)=
(F)=

No.	Lev.	Parts No.	Description	Q'ty						I	R
				(A)	(B)	(C)	(D)	(E)	(F)		
1	1	121250-44901	SWITCH, 110	1							
2	1	129001-42003	PUMP ASSY, WATER	1							
13	2	23876-030000	PLUG, R03	2							
14	1	26106-080602	BOLT, M8X 60 PLATED	3							
15	1	25132-003800	V-BELT, A38	1							
16	1	129155-42350	V-PULLEY	1							
16-1	1	129403-42380	V-PULLEY, D=110	1						N	
		(A=E48155)									
17	1	129120-44741	FAN, COOLING 360	1							
18	1	121267-44760	SPACER	1							
19	1	26106-060302	BOLT, M6X 30 PLATED	4							
20	1	129350-49560	COVER, THERMOSTAT	1							
21	1	129795-49551	GASKET	1							
22	1	129155-49800	THERMOSTAT, 71	1							
23	1	129150-49811	GASKET, THERMOSTAT	1							
24	1	124395-49840	GASKET	1							
25	1	26106-080202	BOLT, M8X 20 PLATED	2							
26	1	121450-42450	PLUG, M16	1							
27	1	124465-44950	GASKET, 16	2							
28	1	129001-42040	JOINT	1							
29	1	129486-42140	O-RING, G30	1							
30	1	26106-080162	BOLT, M8X 16 PLATED	3							
31	1	129486-42021	GASKET, WATER PUMP	1							
32	1	119620-49290	COCK ASSY, 1/4	1							
35	1	124450-44510	TANK ASSY, SUB	1							
37	2	124450-44530	CAP	1							
38	2	124450-44560	RETAINER	1							
39	2	23061-070230	PIPE, 7X 230	1							
40	1	124450-44550	BAND	1							
41	1	121256-44600	BRACKET, SUB TANK	1							

Fig.11. FUEL INJECTION PUMP

(A)=3TNE88-ENKR

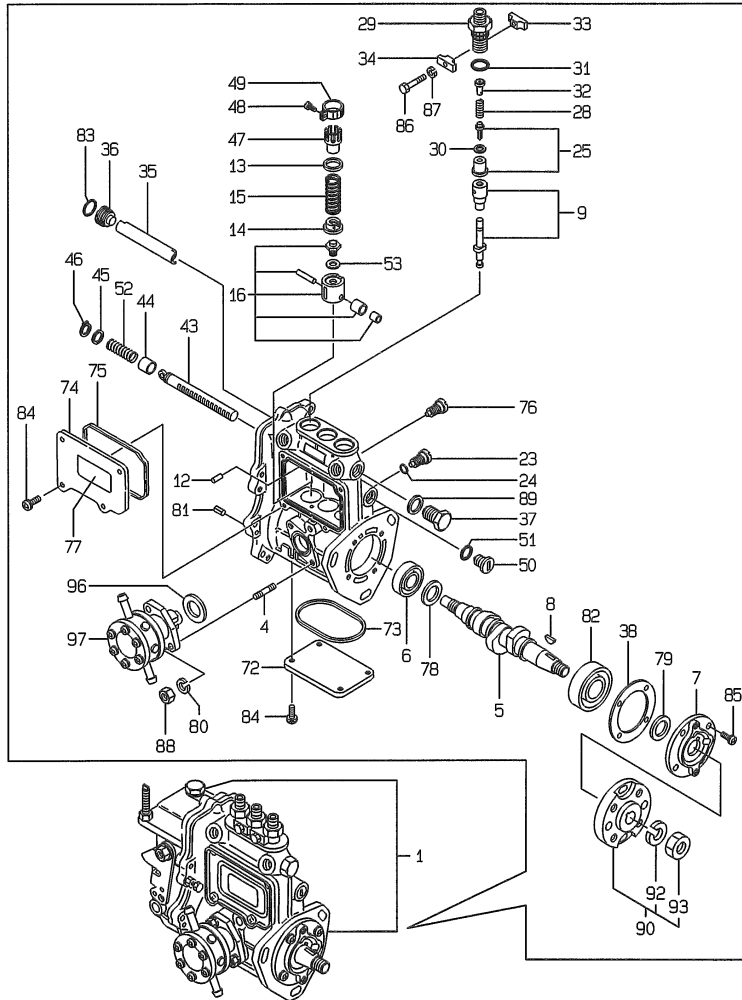
(B)=

(C)=

(D)=

(E)=

(F)=



No.	Lev.	Parts No.	Description	Q'ty						I	R
				(A)	(B)	(C)	(D)	(E)	(F)		
1	1	729227-51460	PUMP ASSY, INJECTION	1							1
4	2	129155-51020	STUD	2							
5	2	129171-51040	CAMSHAFT	1							
6	2	129155-51050	BEARING, 17BM001D	1							
7	2	129208-51060	SUPPORT	1							
8	2	122710-51090	KEY	1							
9	2	129506-51100	PLUNGER ASSY	3							
12	2	129155-51140	PIN	3							
13	2	174307-51170	RETAINER, SPRING A	3							
14	2	129155-51180	RETAINER, SPRING	3							
15	2	124950-51190	SPRING, PLUNGER	3							
16	2	129155-51200	TAPPET ASSY	3							
23	2	129155-51270	STOPPER, TAPPET	3							
24	2	129155-51280	O-RING, S6	3							
25	2	129209-51300	VALVE ASSY, DELIVERY	3							
28	2	129573-51330	SPRING, DELIVERY	3							
29	2	129573-51340	RETAINER	3							
30	2	124550-51350	GASKET, DELIVERY	3							
31	2	124550-51370	O-RING	3							
32	2	129573-51370	STOPPER, VALVE	3							
33	2	129155-51380	STOPPER	2							
34	2	129155-51390	STOPPER	2							
35	2	129155-51400	DEFLECTOR	1							
36	2	129155-51410	BOLT	1							
37	2	129155-51420	PLUG, M16	1							
38	2	129155-51450	SHIM SET, ADJUSTING	1							
43	2	129155-51500	RACK, CONTROL	1							
44	2	129155-51521	BUSH, RACK	1							
45	2	129155-51530	SPACER	1							
46	2	129155-51540	CIRCLIP	1							
47	2	129155-51550	PINION, CONTROL	3							
48	2	129100-51570	SCREW	3							
49	2	129100-51560	PINION	3							
50	2	129155-51570	PLUG, M12	1							
51	2	129155-51580	O-RING	1							
52	2	129155-51591	SPRING, RACK	1							
53	2	129155-51600	SHIM SET, ADJUSTING	3							
72	2	129155-51701	COVER	1							
73	2	129155-51711	GASKET	1							
74	2	129155-51751	COVER	1							
75	2	129155-51760	GASKET	1							
76	2	129155-51790	STOOPER, RACK	1							
77	2	129156-51910	LABEL, CAUTION	1							
78	2	129155-51930	SPACER, T=3.25	1							
79	2	129155-51940	SPACER, T=1.5	1							
80	2	22217-060000	WASHER, SPRING 6	2							
81	2	22351-050010	PIN, SPRING 5.0X10	2							
82	2	24101-063034	BEARING, BALL 6303	1							
83	2	24341-000160	O-RING, 1AS16.0	1							
84	2	26022-050122	SCREW, M5X12	8							
85	2	26022-060162	SCREW, M6X16	4							

Remarks

(1)GOVERNOR ASSY(FIG.12)IS
INCORPORATED IN THIS FUEL
INJECTION PUMP ASSY(REF.NO.1)

Fig.11. FUEL INJECTION PUMP

(A)=3TNE88-ENKR

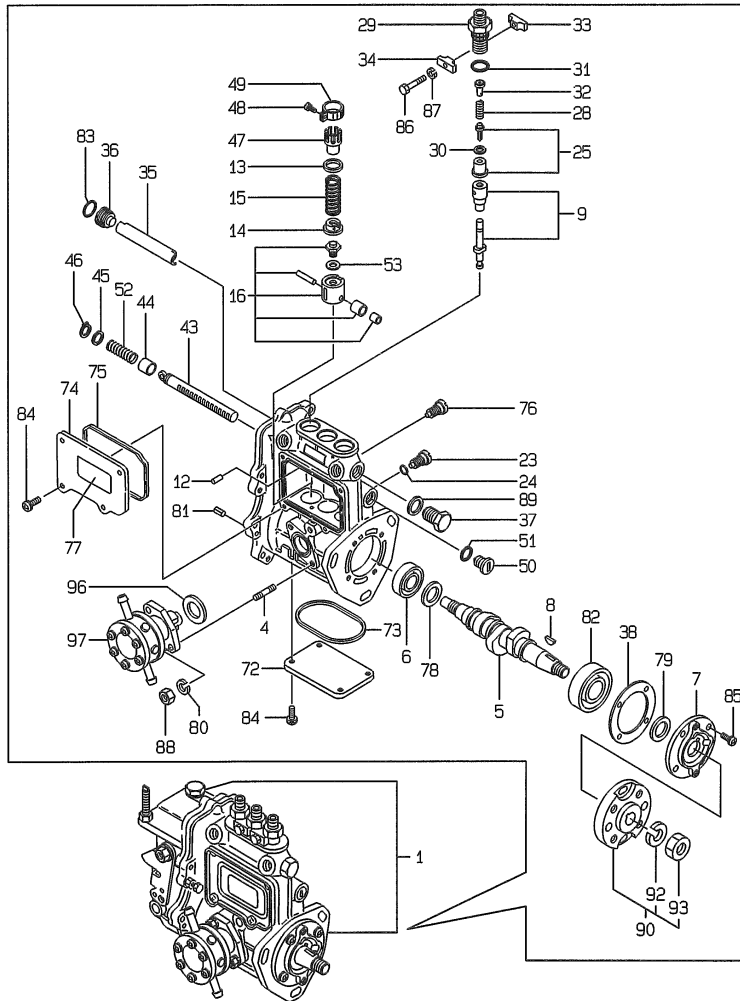
(B)=

(C)=

(D)=

(E)=

(F)=



No.	Lev.	Parts No.	Description	Q'ty						I	R
				(A)	(B)	(C)	(D)	(E)	(F)		
86	2	26116-050302	BOLT, M5X 30 PLATED	2							
87	2	22217-050000	WASHER, SPRING 5	2							
88	2	26716-060002	NUT, M6	2							
89	2	22190-160002	WASHER, SEAL 16	1							
90	2	129208-54500	FLANGE ASSY	1							
92	3	22217-120000	WASHER, SPRING 12	1							
93	3	26716-120002	NUT, M12	1							
96	2	129155-52050	GASKET	1							
97	2	129100-52100	PUMP ASSY, FUEL FEED	1							

Remarks
 (1)GOVERNOR ASSY(FIG.12)IS
 INCORPORATED IN THIS FUEL
 INJECTION PUMP ASSY(REF.NO.1)

Fig.12. GOVERNOR

(A)=3TNE88-ENKR

(B)=

(C)=

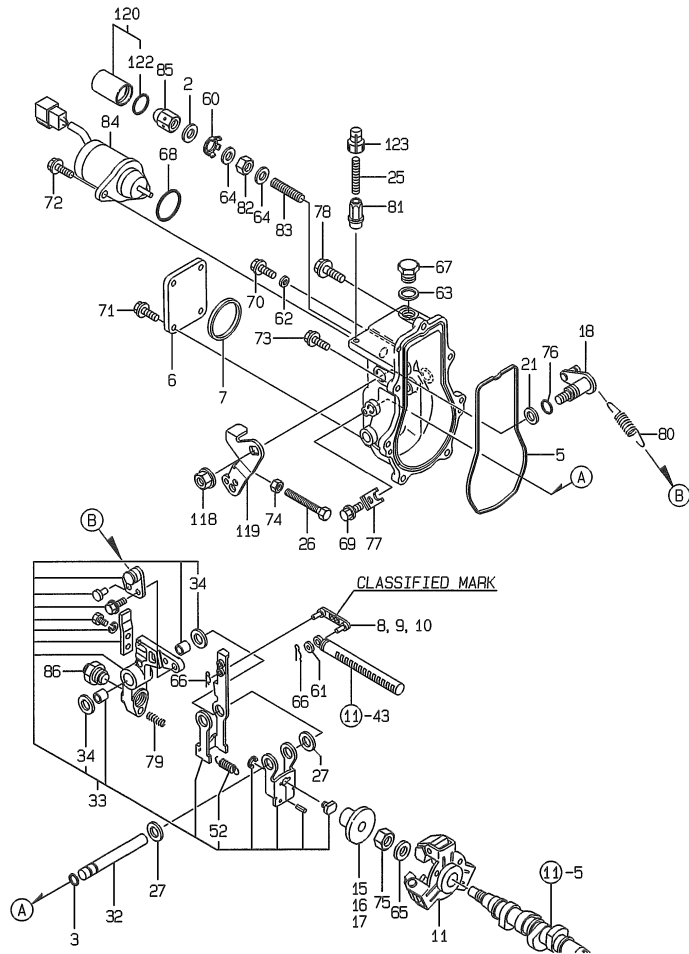
(D)=

(E)=

(F)=

Y00VB440
3TNE88-ENKR

12. GOVERNOR



No.	Lev.	Parts No.	Description	Q'ty						I	R
				(A)	(B)	(C)	(D)	(E)	(F)		
2	2	23414-120016	GASKET, 12X1.0	1							
3	2	129155-51280	O-RING, S6	1							
5	2	129052-61050	GASKET	1							
6	2	129052-61060	COVER, GOVERNOR CASE	1							
7	2	129052-61070	GASKET	1							
8	2	129155-61120	LINK, L=30 MARK 0	1							1
9	2	129155-61130	LINK, L=31 MARK 1	1							1
10	2	129155-61140	LINK, L=30.5 MARK 05	1							1
11	2	129486-61201	WEIGHT ASSY,GOVERNOR	1							
15	2	129155-61341	SLEEVE	1							2
16	2	129155-61350	SLEEVE, L=24.9	1							2
17	2	129155-61360	SLEEVE, L=25.2	1							2
18	2	129100-61400	SHAFT ASSY	1							
21	2	129155-61430	SPACER	1							
25	2	129155-61450	BOLT, LIMITER	1							
26	2	129155-61460	BOLT, IDLE	1							
27	2	129155-61480	SPACER ASSY	2							
32	2	129052-61390	SHAFT	1							
33	2	119908-61501	LEVER ASSY, GOVERNOR	1							
34	3	174307-51700	SHIM SET	2							
52	3	129486-61540	SPRING, SET	1							
60	2	129209-61970	PLATE	1							
61	2	22117-040000	WASHER, 4	1							
62	2	22190-060003	SEAL WASER 6	1							
63	2	22190-100002	WASHER, SEAL 10	1							
64	2	22190-120002	WASHER, SEAL 12	2							
65	2	22287-120000	WASHER, 12	1							
66	2	22372-040000	PIN, SNAP 4	2							
67	2	23887-100002	PLUG, 10	1							
68	2	24341-000280	O-RING, 1AS28.0	1							
68-1	2	158552-61900	O-RING	1							N
(A=EXXXXX)											
69	2	26106-060102	BOLT, M6X 10 PLATED	1							
70	2	26106-060102	BOLT, M6X 10 PLATED	1							
71	2	26106-060102	BOLT, M6X 10 PLATED	4							
72	2	26106-060142	BOLT, M6X 14 PLATED	2							
73	2	26106-060202	BOLT, M6X 20 PLATED	6							
74	2	26756-060002	NUT, LOCK M6	1							
75	2	26776-120002	NUT, LOCK M12	1							
76	2	129155-61830	O-RING, S10	1							
77	2	119660-61901	RETAINER, SHAFT	1							
78	2	129155-61950	BOLT	1							
79	2	129100-61650	SPRING, CONTROLLER	1							
80	2	129489-61700	SPRING, GOVERNOR	1							
81	2	129209-61370	NUT, M6	1							
82	2	26736-120002	NUT, M12	1							
83	2	120323-61470	BOLT, CONTROL	1							
84	2	119653-77950	SOLENOID, STOP	1							
85	2	129209-61930	NUT, CAP	1							
86	2	119600-66720	ANGLEICH ASSY	1							
118	2	26366-080002	NUT, M8	1							

Remarks

(1) SELECTIVE PARTS;CERTAIN THE CLASSIFICATION MARK, THEN PLACE YOUR ORDER. (REF. TO ILLUSTRATION).

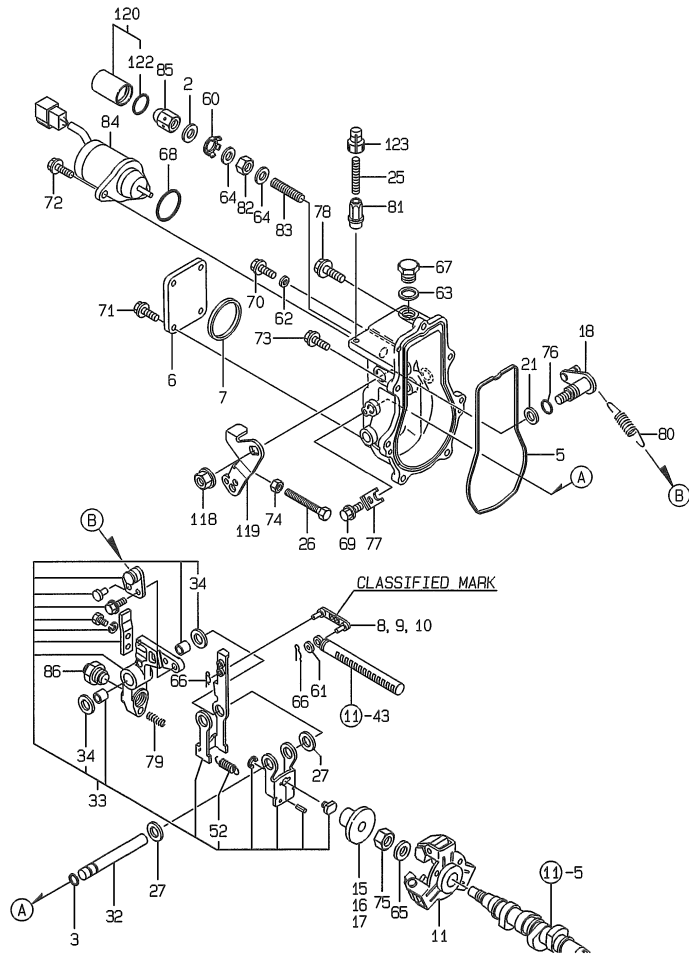
(2) SELECTIVE PART.

* THIS FIGURE(GOVERNOR ASSY) IS INCORPORATED IN THE FUEL INJECTION PUMP ASSY(FIG. 11).

Fig.12. GOVERNOR

Y00VB440
3TNE88-ENKR

12. GOVERNOR



(A)=3TNE88-ENKR
(B)=
(C)=

(D)=
(E)=
(F)=

No.	Lev.	Parts No.	Description	Q'ty						I	R
				(A)	(B)	(C)	(D)	(E)	(F)		
119	2	129100-61440	LEVER, CONTROL	1							
120	1	129209-61940	CASE ASSY	1							
122	2	24311-000150	O-RING, 1AP15.0	1							
123	1	119285-66610	CAP, HIGH-IDLE	1							

Remarks

(1) SELECTIVE PARTS; CERTAIN THE CLASSIFICATION MARK, THEN PLACE YOUR ORDER. (REF. TO ILLUSTRATION).
(2) SELECTIVE PART.
* THIS FIGURE (GOVERNOR ASSY) IS INCORPORATED IN THE FUEL INJECTION PUMP ASSY (FIG. 11).

Fig.13. FUEL INJECTION VALVE

(A)=3TNE88-ENKR

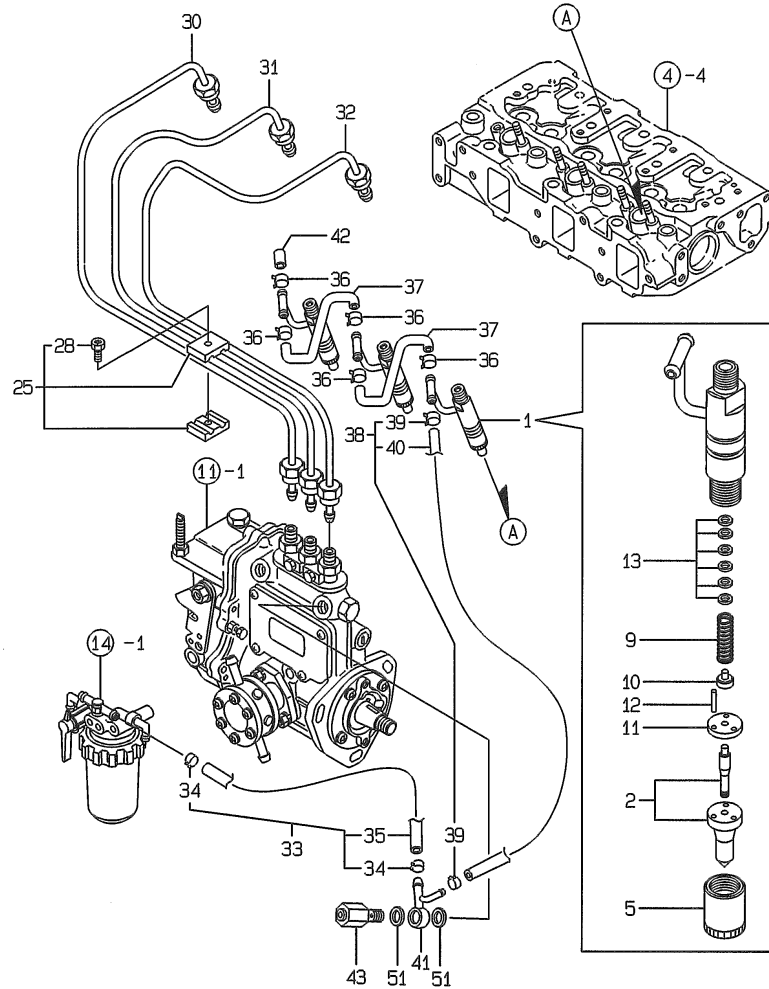
(B)=

(C)=

(D)=

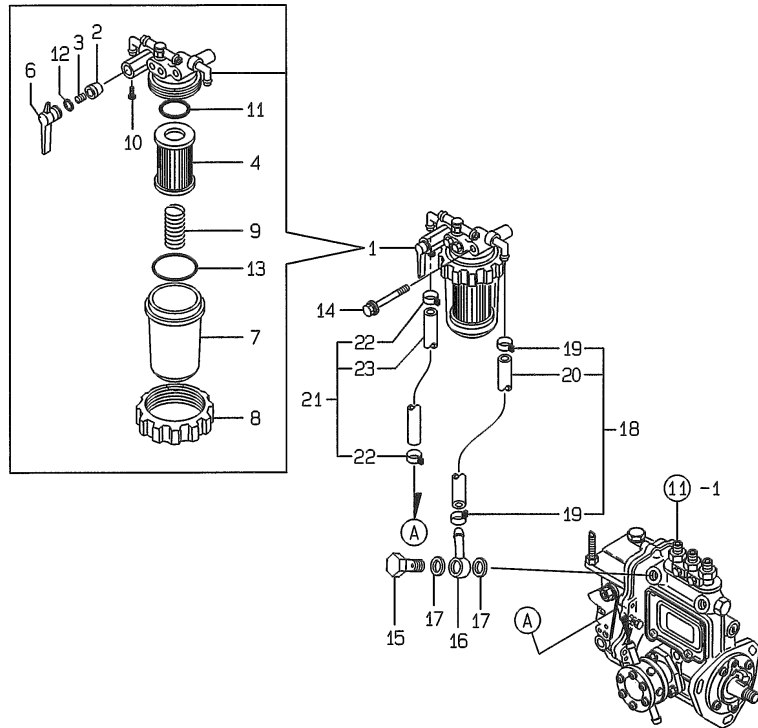
(E)=

(F)=



No.	Lev.	Parts No.	Description	Q'ty						I	R
				(A)	(B)	(C)	(D)	(E)	(F)		
1	1	729209-53100	VALVE ASSY,INJECTION	3							
2	2	129209-53000	VALVE ASSY,INJECTION	3							
5	2	114250-53080	NUT, NOZZLE D16.95	3							
9	2	114250-53120	SPRING, NOZZLE	3							
10	2	114250-53130	SEAT, SPRING	3							
11	2	114250-53140	PLATE	3							
12	2	114250-53210	PIN	6							
13	2	114250-53400	SHIM SET	3							
25	1	119305-59120	RETAINER, PIPE	2							
28	2	129150-59131	BOLT, M4X14	2							
30	2	129052-59810	PIPE ASSY, INJECTION	1							
31	2	129052-59820	PIPE ASSY, INJECTION	1							
32	2	129052-59830	PIPE ASSY, INJECTION	1							
33	1	129210-59130	PIPE ASSY, FUEL	1							
34	2	124766-59050	CLIP, HOSE 12	2							
35	2	105025-59750	PIPE, FUEL	1							
36	1	124066-59100	CLIP, HOSE 8	5							
37	1	121250-59550	PIPE, FUEL D8X120	2							
38	1	119840-59500	PIPE ASSY, RETURN	1							
39	2	124066-59100	CLIP, HOSE 8	2							
40	2	119840-59560	PIPE, FUEL RETURN	1							
41	1	119840-59570	JOINT	1							
42	1	129150-59580	CAP	1							
43	1	129100-59951	VALVE ASSY, CHECK	1							
51	1	22190-120002	WASHER, SEAL 12	2							

Fig.14. FUEL LINE



(A)=3TNE88-ENKR

(B)=

(C)=

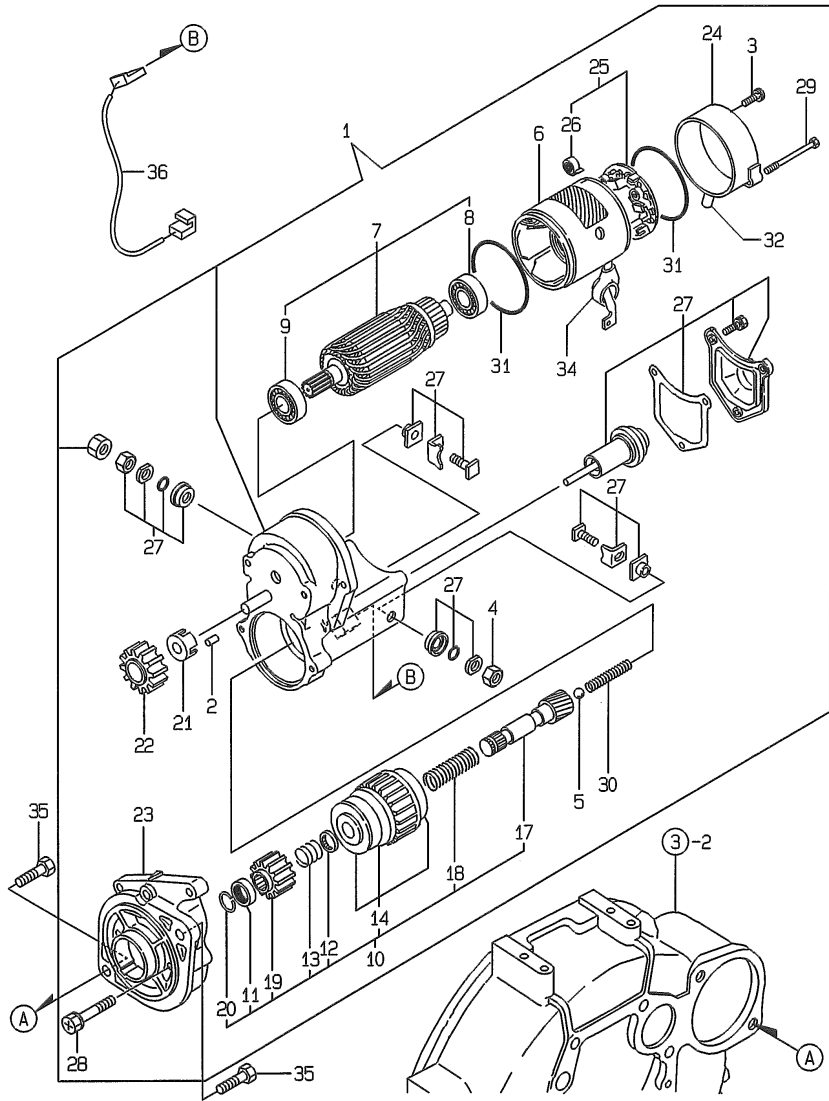
(D)=

(E)=

(F)=

No.	Lev.	Parts No.	Description	Q'ty						I	R
				(A)	(B)	(C)	(D)	(E)	(F)		
1	1	129052-55620	FILTER ASSY, FUEL	1							
2	2	104200-55321	VALVE, TAPER	1							
3	2	104200-55330	SPRING, VALVE	1							
4	2	129100-55650	ELEMENT	1							
6	2	129100-55670	LEVER	1							
7	2	129100-55680	CUP, STRAINER	1							
8	2	129100-55690	RING, RETAINING	1							
9	2	129100-55700	SPRING	1							
10	2	104200-55750	SCREW, M4	1							
11	2	24311-000160	O-RING, 1AP16.0	1							
12	2	24311-240100	O-RING, 1AP10A	1							
13	2	24321-000650	O-RING, 1AG65.0	1							
14	1	26014-080702	BOLT, M8X 70	1							
15	1	103854-39140	BOLT, PIPE JOINT	1							
16	1	101304-59020	JOINT, PIPE 12	1							
17	1	22190-120002	WASHER, SEAL 12	2							
18	1	129210-59040	PIPE ASSY, FUEL	1							
19	2	124766-59050	CLIP, HOSE 12	2							
20	2	129555-59510	PIPE, D13/7.5X180	1							
21	1	129210-59150	PIPE ASSY, FUEL	1							
22	2	124766-59050	CLIP, HOSE 12	2							
23	2	105025-59530	PIPE, FUEL D13X400	1							
24	1	121850-55800	SEPARATOR ASSY,WATER	1							
25	2	104200-55321	VALVE, TAPER	1							
26	2	104200-55330	SPRING, VALVE	1							
27	2	104200-55341	HANDLE	1							
28	2	121254-55510	COVER	1							
29	2	102103-55520	O-RING	1							
30	2	110250-55610	RING, RETAINING	1							
32	2	121850-55710	SCREEN	1							
33	2	121257-55720	SPRING	1							
34	2	121257-55731	FLOAT	1							
35	2	101720-55750	PLUG, 6	2							
36	2	104200-55750	SCREW, M4	1							
37	2	23418-060000	GASKET, 6X1.0	2							
38	2	24311-240100	O-RING, 1AP10A	1							

Fig.15. STARTING MOTOR



(A)=3TNE88-ENKR

(B)=

(C)=

(D)=

(E)=

(F)=

No.	Lev.	Parts No.	Description	Q'ty						I	R
				(A)	(B)	(C)	(D)	(E)	(F)		
1	1	129129-77010	STARTER ASSY	1							
2	2	X0283060061	ROLLER	5							
3	2	129129-77460	SCREW	2							
4	2	X9490561370	NUT	1							
5	2	X9491200240	BALL	1							
6	2	129129-77210	YOKE ASSY	1							
7	2	129129-77220	ARMATURE ASSY	1							
8	3	129129-77230	BEARING	1							
9	3	129129-77240	BEARING	1							
10	2	129129-77250	STARTER	1							
11	3	X0280210230	NUT	1							
12	3	X0283270140	RETAINER	1							
13	3	X9491703371	SPRING, COIL	1							
14	3	129129-77390	CLUTCH ASSY	1							
17	3	129129-77400	SHAFT	1							
18	3	129129-77410	SPRING, COIL	1							
19	3	129129-77420	PINION, STARTER	1							
20	3	129129-77430	RING	1							
21	2	129129-77260	RETAINER	1							
22	2	129129-77270	PINION	1							
23	2	129129-77280	HOUSING	1							
24	2	129129-77290	FRAME	1							
25	2	129129-77300	HOLDER ASSY	1							
26	3	X9491730461	SPRING	4							
27	2	129129-77310	SWITCH ASSY	1							
28	2	129129-77320	BOLT	2							
29	2	129129-77330	BOLT	2							
30	2	129129-77340	SPRING	1							
31	2	129129-77350	O-RING	2							
32	2	129129-77362	COVER	1							
34	2	129129-77380	CAP	1							
35	1	26116-120252	BOLT, M12X 25 PLATED	2							
36	1	119006-77900	CONNECTOR, STARTER	1							

Fig.16. GENERATOR

(A)=3TNE88-ENKR

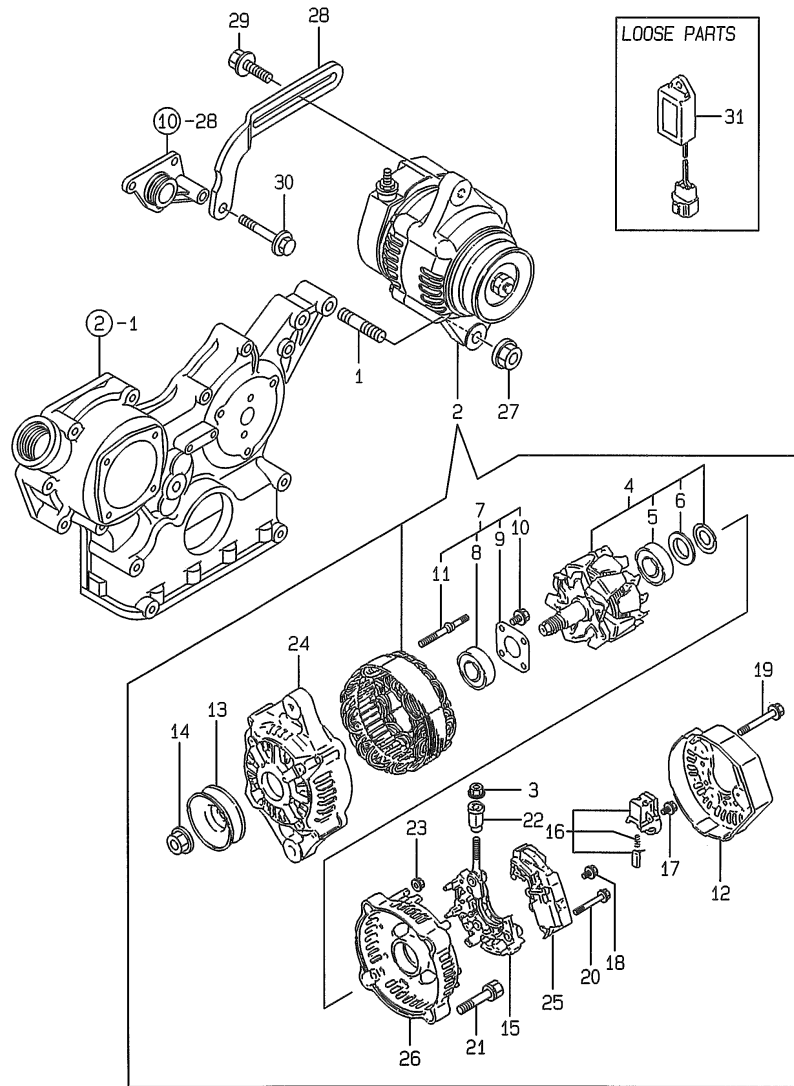
(B)=

(C)=

(D)=

(E)=

(F)=



No.	Lev.	Parts No.	Description	Q'ty						I	R
				(A)	(B)	(C)	(D)	(E)	(F)		
1	1	129795-01900	STUD	1							
2	1	119626-77210	ALTERNATOR, 12V-55A	1							
3	2	X9490561001	NUT	1							
4	2	129052-77380	ROTOR ASSY	1							
5	3	119620-79240	BEARING, BALL	1							
6	3	119620-79250	COVER	1							
7	2	129052-77421	FRAME ASSY	1							
8	3	119620-79200	BEARING, BALL	1							
9	3	119620-79210	PLATE, RETAINER	1							
10	3	119620-79220	SCREW	4							
11	3	119620-79230	STUD	2							
12	2	128401-77440	FRAME	1							
13	2	119620-77460	PULLEY,CRANKSHAFT	1							
14	2	119620-77470	NUT	1							
15	2	129052-79260	HOLDER	1							
16	2	129052-79270	HOLDER, BRUSH	1							
17	2	119620-79290	SCREW	6							
18	2	119620-79300	SCREW	1							
19	2	119620-79310	BOLT	3							
20	2	119620-79320	SCREW	2							
21	2	119620-79330	BOLT	2							
22	2	119620-79340	BUSH, INSULATION	1							
23	2	119620-79350	NUT	2							
24	2	119620-79250	COVER	1							
25	2	119626-79400	REGULATOR ASSY	1							
26	2	119626-79410	COVER	1							
26-1	2	119626-77450	COVER	1							N
(A=FROM 1ST)											
27	1	26306-100002	NUT, M10	1							
28	1	129100-77320	ADJUSTER	1							
29	1	119810-77340	BOLT, ADJUSTER	1							
30	1	26106-080502	BOLT, M8X 50 PLATED	1							
31	1	129211-77920	TIMER	1							

Fig.17. GASKET SET

(A)=3TNE88-ENKR

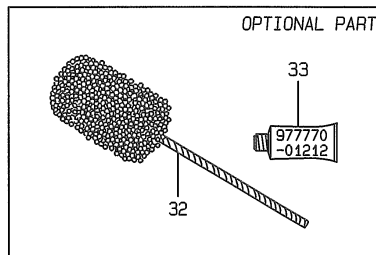
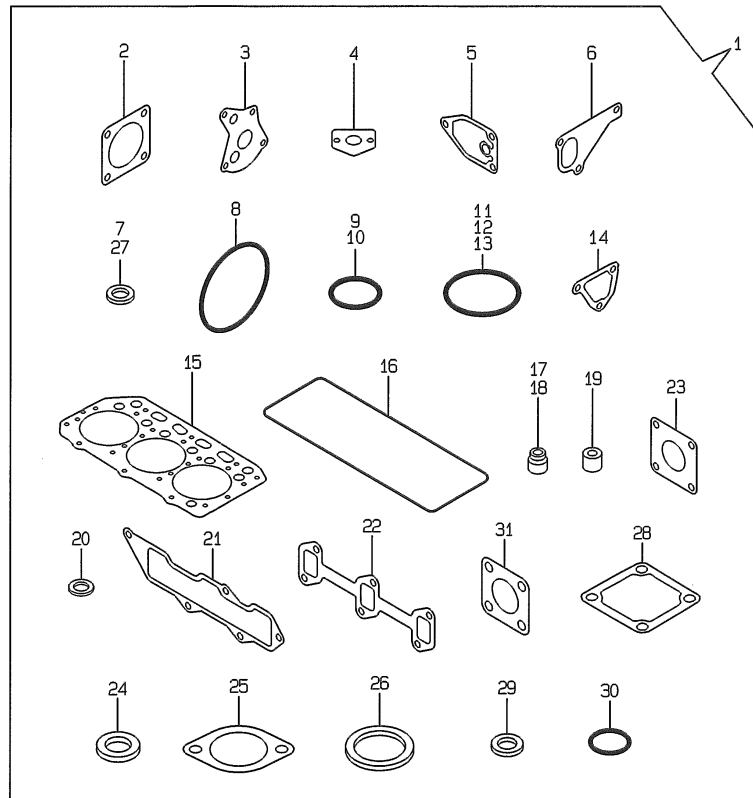
(B)=

(C)=

(D)=

(E)=

(F)=



No.	Lev.	Parts No.	Description	Q'ty						I	R
				(A)	(B)	(C)	(D)	(E)	(F)		
1	1	729001-92640	GASKET SET	1							1
2	2	124240-01883	GASKET	1							
3	2	129150-32020	GASKET, PUMP	1							
4	2	129150-35041	GASKET	1							
5	2	129150-35111	GASKET	1							
6	2	129486-42021	GASKET, WATER PUMP	1							
7	2	22190-080002	WASHER, SEAL 6	7							
8	2	121850-51960	O-RING	1							
9	2	119609-32040	O-RING, P16	2							
10	2	24311-000160	O-RING, 1AP16.0	1							
11	2	24341-000240	O-RING, 1AS24.0	1							
12	2	24311-000320	O-RING, 1AP32.0	2							
13	2	129486-42140	O-RING, G30	1							
14	2	129100-49840	GASKET	1							
15	2	129001-01340	GASKET, HEAD	1							
16	2	129001-11310	GASKET, BONNET	1							
17	2	121400-11340	SEAL, VALVE STEM	3							
18	2	124460-11340	SEAL, VALVE STEM	3							
19	2	119625-11872	PROTECTOR, NOZZLE	3							
20	2	119625-11880	SEAT, NOZZLE	3							
21	2	129001-12110	GASKET, MANIFOLD	1							
22	2	129150-13110	GASKET	1							
23	2	129400-13201	GASKET, SILENCER	1							
24	2	124465-44950	GASKET, 16	2							
25	2	129795-49551	GASKET	1							
26	2	129150-49811	GASKET, THERMOSTAT	1							
27	2	22190-120002	WASHER, SEAL 12	4							
28	2	129150-77511	GASKET	1							
29	2	22190-100002	WASHER, SEAL 10	2							
30	2	24311-000120	O-RING, 1AP12.0	3							
31	2	124701-11911	GASKET, SILENCER	1							
32	1	129400-92420	HONE	1							1
33	1	977770-01212	GASKET, LIQUID	1							1

Remarks

(1) OPTIONAL PART.

Parts No. Index

Parts No.	Fig. No.	Ref. No.
101304-59020	14	16
101720-55750	14	35
102103-55520	14	29
103854-39140	14	15
104200-55321	14	2
		25
104200-55330	14	3
		26
104200-55341	14	27
104200-55750	14	10
		36
105025-59530	14	23
105025-59750	13	35
110250-55610	14	30
114250-53080	13	5
114250-53120	13	9
114250-53130	13	10
114250-53140	13	11
114250-53210	13	12
114250-53400	13	13
119006-77900	15	36
119131-18320	6	5
119285-66610	12	123
119305-59120	13	25
119600-66720	12	86
119609-32040	2	13
	17	9
119620-01750	3	3
119620-49290	10	32
119620-77460	16	13
119620-77470	16	14
119620-79200	16	8
119620-79210	16	9
119620-79220	16	10
119620-79230	16	11
119620-79240	16	5
119620-79250	16	6
		24
119620-79290	16	17
119620-79300	16	18
119620-79310	16	19
119620-79320	16	20
119620-79330	16	21
119620-79340	16	22
119620-79350	16	23
119625-11872	4	21
	17	19
119625-11880	4	22
	17	20
119625-11900	4	23

Parts No.	Fig. No.	Ref. No.
119626-77210	16	2
119626-77450	16	26 -1
119626-79400	16	25
119626-79410	16	26
119653-77950	12	84
119660-61901	12	77
119802-11280	4	35
119810-77340	16	29
119840-59500	13	38
119840-59560	13	40
119840-59570	13	41
119865-21600	8	14
119908-61501	12	33
120130-11860	4	7
120323-61470	12	83
121023-01550	2	25
121111-21501	8	11
121250-44901	10	1
121250-59550	13	37
121252-39450	9	33
121254-55510	14	28
121256-44600	10	41
121257-55720	14	33
121257-55731	14	34
121267-44760	10	18
121400-11340	4	18
	17	17
121450-01560	2	6
121450-42450	10	26
121520-34810	9	17
121550-23200	8	27
121850-21680	8	10
121850-51960	2	12
	17	8
121850-55710	14	32
121850-55800	14	24
122710-51090	11	8
124066-59100	13	36
		39
124160-01751	2	7
	4	41
124160-01910	1	5
124160-11360	4	40
124160-39140	9	28
124240-01871	2	8
124240-01883	17	2
124395-49840	10	24
124450-44510	10	35
124450-44530	10	37
124450-44550	10	40

Parts No.	Fig. No.	Ref. No.
124450-44560	10	38
124460-11340	4	19
	17	18
124465-44950	10	27
	17	24
124550-51350	11	30
124550-51370	11	31
124550-59820	9	35
124550-59830	9	34
124701-11911	6	7
	17	31
124766-59050	13	34
	14	19
		22
124950-51190	11	15
128401-77440	16	12
129001-01250	1	11
129001-01340	1	28
	17	15
129001-02800	1	15
129001-11310	4	45
	17	16
129001-11340	4	46
129001-11351	4	42
129001-12110	5	1
	17	21
129001-12120	5	2
129001-21100	8	1
129001-22070	8	15
129001-22500	8	17
129001-22930	8	30
129001-22950	8	32
129001-32001	9	1
129001-35300	9	24
129001-42003	10	2
129001-42040	10	28
129001-91841	2	21
129030-13511	6	9
129030-13540	6	10
129030-13650	6	11
129030-21590	8	12
129051-11700	4	4
129052-55620	14	1
129052-59810	13	30
129052-59820	13	31
129052-59830	13	32
129052-61050	12	5
129052-61060	12	6
129052-61070	12	7
129052-61390	12	32

Parts No.	Fig. No.	Ref. No.
129052-77380	16	4
129052-77421	16	7
129052-79260	16	15
129052-79270	16	16
129100-01580	3	1
		15
	8	2
129100-01640	3	16
129100-01730	3	6
129100-01760	3	8
129100-11100	4	13
129100-11110	4	14
129100-13110	6	1
129100-23910	8	26
129100-25061	7	17
129100-35301	9	19
129100-49840	17	14
129100-51560	11	49
129100-51570	11	48
129100-52100	11	97
129100-55650	14	4
129100-55670	14	6
129100-55680	14	7
129100-55690	14	8
129100-55700	14	9
129100-59951	13	43
129100-61400	12	18
129100-61440	12	119
129100-61650	12	79
129100-77320	16	28
129111-13670	6	13
129111-13680	6	14
129120-44741	10	17
129120-77501	5	5
129129-14580	7	3
129129-77010	15	1
129129-77210	15	6
129129-77220	15	7
129129-77230	15	8
129129-77240	15	9
129129-77250	15	10
129129-77260	15	21
129129-77270	15	22
129129-77280	15	23
129129-77290	15	24
129129-77300	15	25
129129-77310	15	27
129129-77320	15	28
129129-77330	15	29
129129-77340	15	30

Parts No. Index

Parts No.	Fig. No.	Ref. No.
129129-77350	15	31
129129-77362	15	32
129129-77380	15	34
129129-77390	15	14
129129-77400	15	17
129129-77410	15	18
129129-77420	15	19
129129-77430	15	20
129129-77460	15	3
129130-13660	6	12
129150-01200	1	27
129150-02020	1	7
129150-02450	7	4
129150-02870	1	32
129150-02930	1	24
129150-02940	1	29
129150-03100	2	11
129150-11230	4	32
129150-11280	4	27
129150-11290	4	28
129150-11370	4	20
129150-11750	4	34
129150-11810	4	9
129150-13110	6	2
	17	22
129150-14101	7	7
129150-14200	7	1
129150-14400	7	2
129150-21200	8	4
129150-21651	8	8
129150-23600	8	28
129150-23610	8	36
129150-25101	7	9
129150-25301	7	15
129150-25920	7	12
129150-25931	7	14
129150-32020	9	14
	17	3
129150-35041	9	18
	17	4
129150-35101	9	21
129150-35111	9	22
	17	5
129150-35151	9	23
129150-35350	9	25
129150-39450	9	29
129150-49811	10	23
	17	26
129150-59131	13	28
129150-59580	13	42

Parts No.	Fig. No.	Ref. No.
129150-77511	5	6
	17	28
129155-11241	4	24
129155-11260	4	25
129155-11270	4	26
129155-42350	10	16
129155-49800	10	22
129155-51020	11	4
129155-51050	11	6
129155-51140	11	12
129155-51180	11	14
129155-51200	11	16
129155-51270	11	23
129155-51280	11	24
	12	3
129155-51380	11	33
129155-51390	11	34
129155-51400	11	35
129155-51410	11	36
129155-51420	11	37
129155-51450	11	38
129155-51500	11	43
129155-51521	11	44
129155-51530	11	45
129155-51540	11	46
129155-51550	11	47
129155-51570	11	50
129155-51580	11	51
129155-51591	11	52
129155-51600	11	53
129155-51701	11	72
129155-51711	11	73
129155-51751	11	74
129155-51760	11	75
129155-51790	11	76
129155-51930	11	78
129155-51940	11	79
129155-52050	11	96
129155-61120	12	8
129155-61130	12	9
129155-61140	12	10
129155-61341	12	15
129155-61350	12	16
129155-61360	12	17
129155-61430	12	21
129155-61450	12	25
129155-61460	12	26
129155-61480	12	27
129155-61830	12	76
129155-61950	12	78

Parts No.	Fig. No.	Ref. No.
129156-51910	11	77
129171-51040	11	5
129202-22300	8	21
129208-51060	11	7
129208-54500	11	90
129209-51300	11	25
129209-53000	13	2
129209-61370	12	81
129209-61930	12	85
129209-61940	12	120
129209-61970	12	60
129210-59040	14	18
129210-59130	13	33
129210-59150	14	21
129211-77920	16	31
129350-49560	10	20
129400-01520	2	5
129400-13201	6	8
	17	23
129400-92420	17	32
129403-42380	10	16 -1
129486-01670	3	19
129486-42021	10	31
	17	6
129486-42140	10	29
	17	13
129486-61201	12	11
129486-61540	12	52
129489-61700	12	80
129506-51100	11	9
129555-59510	14	20
129573-51330	11	28
129573-51340	11	29
129573-51370	11	32
129612-01600	3	2
129795-01780	3	18
129795-01800	2	4
129795-01900	16	1
129795-01950	2	10
129795-02411	1	14
129795-11120	4	15
129795-11180	4	16
129795-21661	8	9
129795-49551	10	21
	17	25
129900-07900	4	2
158552-61900	12	68 -1
171051-01921	1	6
171301-01640	3	9
171340-21650	8	8 -1

Parts No.	Fig. No.	Ref. No.
171350-03090	4	1
171420-34820	9	16
174307-51170	11	13
174307-51700	12	34
22117-040000	12	61
22190-060003	12	62
22190-080002	2	23
		24
	9	36
		38
	17	7
22190-100002	9	37
	12	63
	17	29
22190-120002	12	64
	13	51
	14	17
	17	27
22190-160002	11	89
22217-050000	11	87
22217-060000	11	80
22217-120000	11	92
22252-000260	8	22
22287-120000	12	65
22351-040010	8	7
22351-050010	11	81
22351-060012	4	38
22372-040000	12	66
22512-070140	7	8
	8	5
23061-070230	10	39
23414-120016	12	2
23418-060000	14	37
23876-010000	1	10
23876-030000	10	13
23887-100002	12	67
24101-063034	11	82
24311-000120	4	48
	17	30
24311-000150	12	122
24311-000160	9	26
	14	11
	17	10
24311-000320	2	14
	4	47
	17	12
24311-240100	14	12
		38
24321-000650	14	13
24341-000160	11	83

Parts No. Index

Parts No.	Fig. No.	Ref. No.
24341-000240	2	26
	17	11
24341-000250	3	11
24341-000280	12	68
25132-003800	10	15
26014-080702	14	14
26022-050122	11	84
26022-060162	11	85
26106-060102	12	69
		70
		71
26106-060142	12	72
26106-060162	2	27
26106-060202	12	73
26106-060302	10	19
26106-080122	2	15
26106-080142	4	3
	7	16
26106-080162	2	16
		17
	3	12
	10	30
26106-080202	2	18
	5	3
	9	27
	10	25
26106-080252	3	13
	4	36
26106-080352	5	7
	9	20
26106-080452	2	19
	3	14
		14 -1
	7	13
26106-080502	3	21
	4	37
	5	4
	16	30
26106-080552	2	20
26106-080602	10	14
26106-080802	6	4
26116-050302	11	86
26116-120252	15	35
26206-100252	3	4
26206-100302	3	5
26216-060202	4	11
26216-080802	6	6
26306-080002	2	22
	6	3
26306-100002	16	27

Parts No.	Fig. No.	Ref. No.
26366-060002	4	39
26366-080002	12	118
26450-060252	9	15
26716-060002	11	88
26716-120002	11	93
26736-120002	12	82
26756-060002	12	74
26776-120002	12	75
27241-120000	1	12
27241-300000	1	13
27241-400000	4	12
27310-080001	4	17
719810-01500	2	1
729001-01560	1	1
729001-92640	17	1
729209-53100	13	1
729227-51460	11	1
729402-11650	4	31
729402-23100	8	23
977770-01212	2	9
	3	20
	17	33
X0280210230	15	11
X0283060061	15	2
X0283270140	15	12
X9490561001	16	3
X9490561370	15	4
X9491200240	15	5
X9491703371	15	13
X9491730461	15	26

Parts No.	Fig. No.	Ref. No.
-----------	----------	----------

Parts No.	Fig. No.	Ref. No.
-----------	----------	----------