

0CV10-M84700EN

P R E F A C E

1. This Parts Catalog carries all parts incorporated in YANMAR Model 3TNE88—ENSR1 & 3TNE88—ENSR2 engine manufactured since April, 2002.
2. Each illustration corresponds to the parts list on the following page.
3. When ordering parts, clearly write down the engine model and serial number, as well as the name and number of each part in your order sheet. This will help insure reliable delivery of the parts you have ordered.

Directions for the Parts Catalog.

1. This Parts Catalog shows both standard and optional parts.
2. Parts may change without prior notice.
3. The following is an example of the Parts Catalog format.

REF.	LEV.	PARTS NO.	DESCRIPTION	Q'TY						I	R
				(A)	(B)	(C)	(D)	(E)	(F)		
1	1	729595-51390	FUEL INJECTION PUMP	1	1	1	1	1			1
1-1	1	729595-51391	FUEL INJECTION PUMP	1	1	1	1	1		N	1
		(A=E00185) (B=E00200)									
3	2	26022-060162	SCREW M 6X 16	9	9	9	9	9			
3-1	2	26022-060162	SCREW M 6X 16	4	4	4	4	4		K	
		(A=E00156) (B=E00156) (C=E00156) (D=E00156) (E=E00156)									
4	2	129470-51040	CAMSHAFT	1	1	1	1	1			
5	2	122710-51050	BEARING, ROLLER	2	2	2	2	2			
6	2	129470-51060	RETAINER	1	1	1	1	1			

Remarks
(1) BOOST COMPEMSATOR TYPE. OPTIONAL PART, TO E00155,(4JH-DT, 4JH-DTZ

① Ref. No.

The Ref. No. listed may not be in accordance with the illustration Ref. No.

(Ex.) Illustration No.

List Ref No.

1

1

(Before change)

1-1

(After change)

For interchangeable symbols N, R and K, illustrations for new parts may be abbreviated.

② Lev. (Level)

Level indication

The numbers below indicate the level of relativity towards the main part.

1 ----- Main parts (Assembly parts)

2 ----- Sub component included in " 1 ".

3 ----- Sub component included in " 2 ".

Note) Parts that are not for sale are partially illustrated but not listed.

③ Interchangeability Symbol

When a part change takes place, one of the following interchangeability symbols is indicated beside the part.

Symbol	Interchangeability	Contents note
N	Old $\begin{matrix} \leftarrow \text{Yes} \\ \text{No} \rightarrow \end{matrix}$ New	New Part is interchangeable for Old Part but Old Part is not interchangeable for New Part.
Q	Old $\begin{matrix} \leftarrow \text{No} \\ \text{Yes} \rightarrow \end{matrix}$ New	New Part is not interchangeable for Old Part but Old Part is interchangeable for New Part.
R	Old $\begin{matrix} \leftarrow \text{Yes} \\ \text{Yes} \rightarrow \end{matrix}$ New	New/ Old Parts are both interchangeable.
S	Old $\begin{matrix} \leftarrow \text{No} \\ \text{No} \rightarrow \end{matrix}$ New	New/ Old Parts are both not interchangeable.
W		Part newly added.
Z		Part discontinued.
F		Not interchangeable by a single part but interchangeable together with related parts.
K		Changes only for used parts quantities.

④ Effective Machine No.

When a part changes, the effective Machine No. will be indicated in the (A)-(F) column.

Product Symbol	Product No.	Product Symbol	Product No.
C	Clutch No. Compressor No.	F	Machine No. (Agricultural Equip.)
D	Drive No.	M	Machine No.
E	Engine No.		

Note 1) A date may follow the symbol. (Ex.) 1996.01

Note 2) "XXXXX" and "ZZZZZ" are for parts that could not be predicted or for engine models that could not be identified.

Note 3) (A=E00185) is the E (Engine Serial Number) for the column (A) model (in this case 4JH-DT) after the parts design change.

⑤ Remarks

Figures or alphabets (symbols) are entered in the remarks column.

The comments (remarks) on parts that are indicated at the bottom of the illustration are the same symbols as those stated above.

Contents

Fig. No. Fig. Name

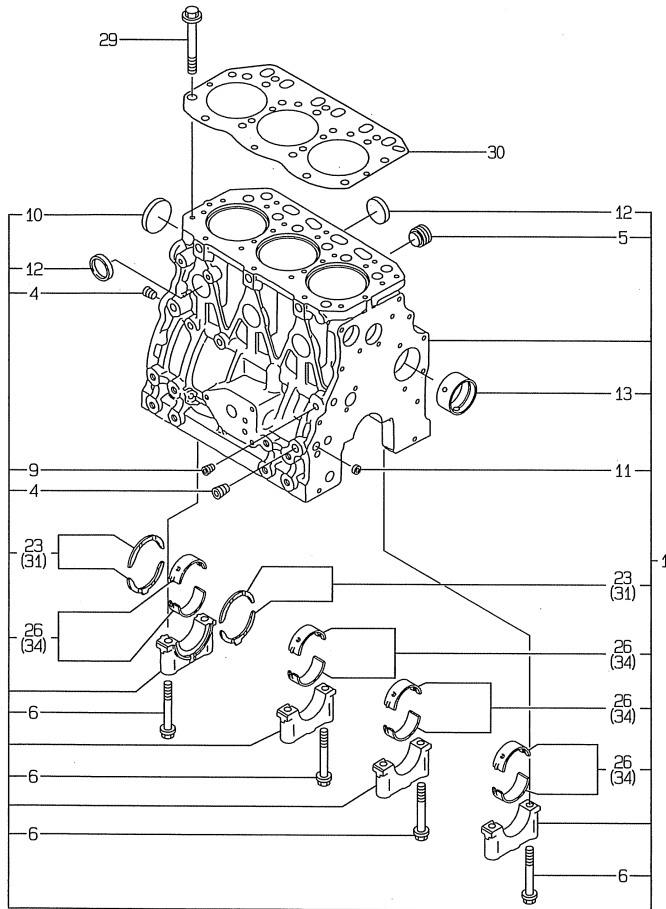
3TNE88-ENSR1,2

1. CYLINDER BLOCK
2. GEAR HOUSING
3. FLYWHEEL HOUSING & OIL SUMP
4. CYLINDER HEAD & BONNET
5. SUCTION MANIFOLD
6. EXHAUST MANIFOLD
7. CAMSHAFT & DRIVING GEAR
8. CRANKSHAFT & PISTON
9. LUB.OIL SYSTEM
10. COOLING WATER SYSTEM
11. FUEL INJECTION PUMP
12. GOVERNOR
13. FUEL INJECTION VALVE
14. FUEL LINE
15. STARTING MOTOR
16. GENERATOR
17. GASKET SET

Fig. No. Fig. Name

Fig.1. CYLINDER BLOCK

Y00VB470
3TNE88-ENSR1, 2



(A)=3TNE88-ENSR1
(B)=3TNE88-ENSR2
(C)=

(D)=
(E)=
(F)=

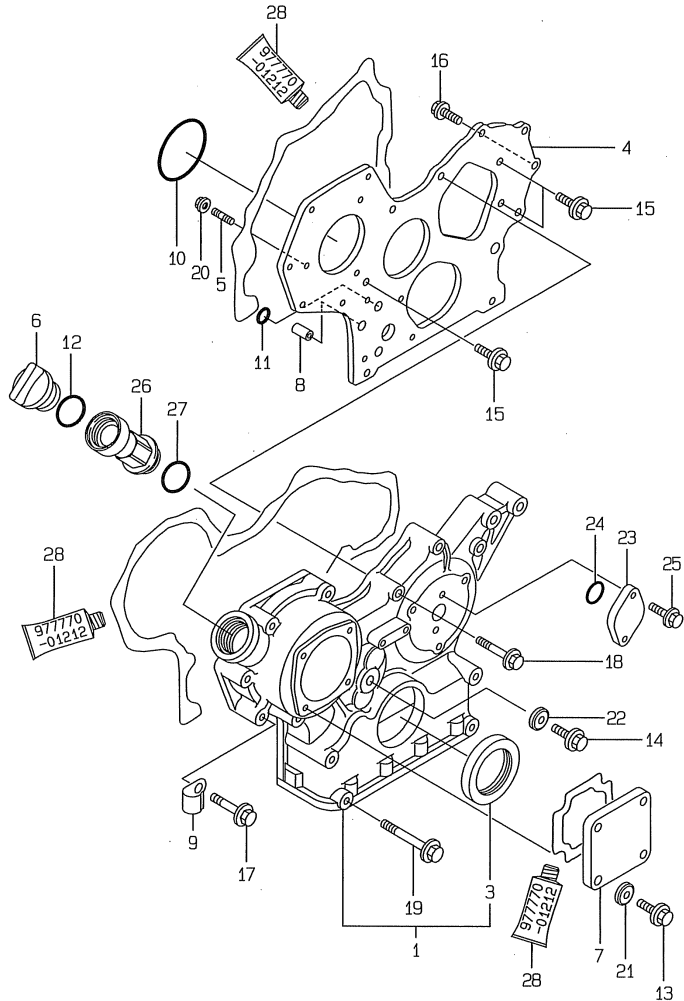
No.	Lev.	Parts No.	Description	Q'ty						I	R
				(A)	(B)	(C)	(D)	(E)	(F)		
1	1	729001-01560	BLOCK ASSY, CYLINDER	1	1						
4	2	124160-01910	PLUG, PT1/4	3	3						
5	2	171051-01921	PLUG, NPTF1	1	1						
6	2	129150-02020	BOLT, METAL CAP	8	8						
9	2	23876-010000	PLUG, R01	1	1						
10	2	129001-01250	PLUG, 50	1	1						
11	2	27241-120000	PLUG, 12	2	2						
12	2	27241-300000	PLUG 30	6	6						
13	2	129795-02411	BUSH, CAMSHAFT	1	1						
23	2	129150-02930	BEARING, THRUST	2	2						
26	2	129001-02930	BEARING, MAIN	4	4						3
29	1	129150-01200	BOLT, HEAD	14	14						
30	1	129001-01340	GASKET, HEAD	1	1						
31	1	129150-02940	BEARING, THRUST 0.25	1	1						1
34	1	129150-02870	BEARING, 0.25 US	4	4						2

Remarks

- (1) OVER-SIZE(O.S=0.25)PART.
- (2) UNDER-SIZE(U.S=0.25)PART.
- (3) REPAIR PART.

Fig.2. GEAR HOUSING

Y00V8470
3TNE88-ENSR1, 2



(A)=3TNE88-ENSR1
(B)=3TNE88-ENSR2
(C)=

(D)=
(E)=
(F)=

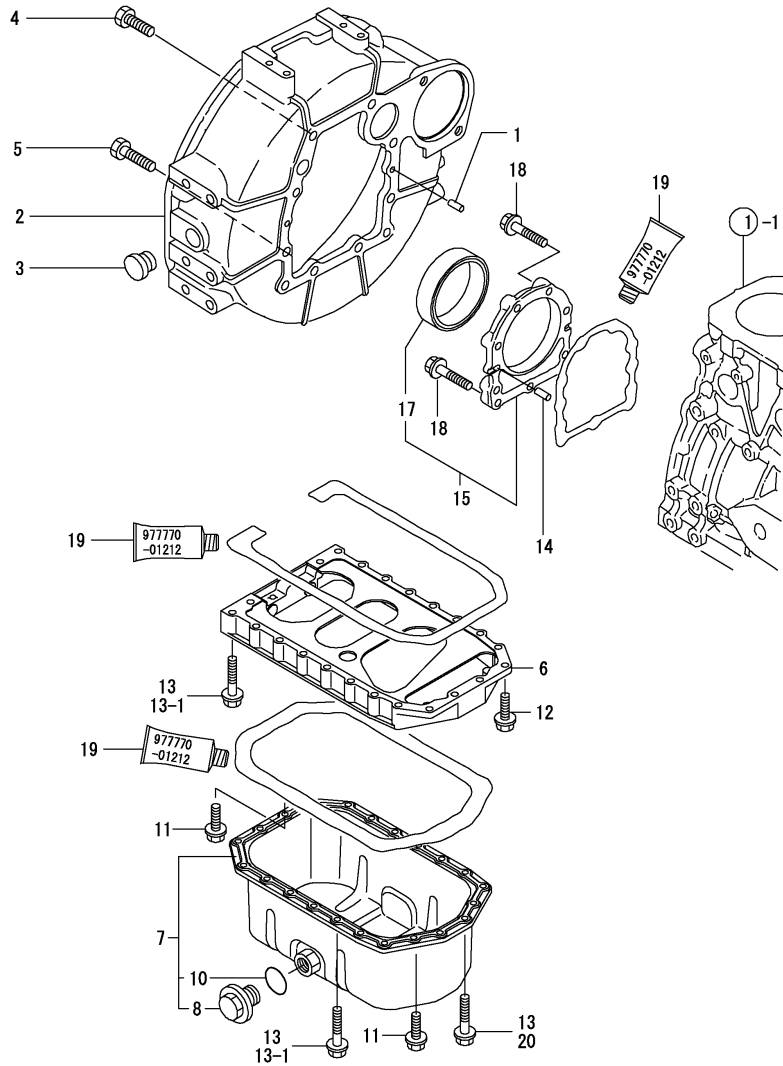
No.	Lev.	Parts No.	Description	Q'ty						I	R
				(A)	(B)	(C)	(D)	(E)	(F)		
1	1	719810-01500	CASE ASSY, GEAR	1	1						
3	2	129795-01800	SEAL, OIL	1	1						
4	1	129400-01520	FLANGE, GEAR CASE	1	1						
5	1	121450-01560	STUD, M8X22	3	3						
6	1	124160-01751	COVER, FILLER	1	1						
7	1	124240-01871	COVER	1	1						
8	1	129795-01950	PIPE, KNOCK L=18	2	2						
9	1	129150-03100	RETAINER, PIPE	1	1						
10	1	121850-51960	O-RING	1	1						
11	1	119609-32040	O-RING, P16	2	2						
12	1	24311-000320	O-RING, 1AP32.0	1	1						
13	1	26106-080122	BOLT, M8X 12 PLATED	4	4						
14	1	26106-080162	BOLT, M8X 16 PLATED	1	1						
15	1	26106-080162	BOLT, M8X 16 PLATED	3	3						
16	1	26106-080202	BOLT, M8X 20 PLATED	2	2						
17	1	26106-080452	BOLT, M8X 45 PLATED	6	6						
18	1	26106-080552	BOLT, M8X 55 PLATED	3	3						
19	1	129001-91841	BOLT, M8X85	4	4						
20	1	26306-080002	NUT, M8	3	3						
21	1	22190-080002	WASHER, SEAL 6	4	4						
22	1	22190-080002	WASHER, SEAL 6	1	1						
23	1	121023-01550	COVER	1	1						
24	1	24341-000240	O-RING, 1AS24.0	1	1						
25	1	26106-060162	BOLT, M6X 16 PLATED	2	2						
26	1	171031-11741	PIPE	1	1						
27	1	24311-000320	O-RING, 1AP32.0	1	1						
28	1	977770-01212	GASKET, LIQUID	1	1						1

Remarks

(1) OPTIONAL PART.

N:Old $\begin{matrix} \text{Yes} \\ \text{No} \end{matrix}$ New, Q:Old $\begin{matrix} \text{No} \\ \text{Yes} \end{matrix}$ New, R:Old $\begin{matrix} \text{Yes} \\ \text{No} \end{matrix}$ New, S:Old $\begin{matrix} \text{No} \\ \text{Yes} \end{matrix}$ New, W:Add, Z:Discontinued, F:Interchangeable by set, K:Q'ty Change

Fig.3. FLYWHEEL HOUSING & OIL SUMP



(A)=3TNE88-ENSR1
(B)=3TNE88-ENSR2
(C)=

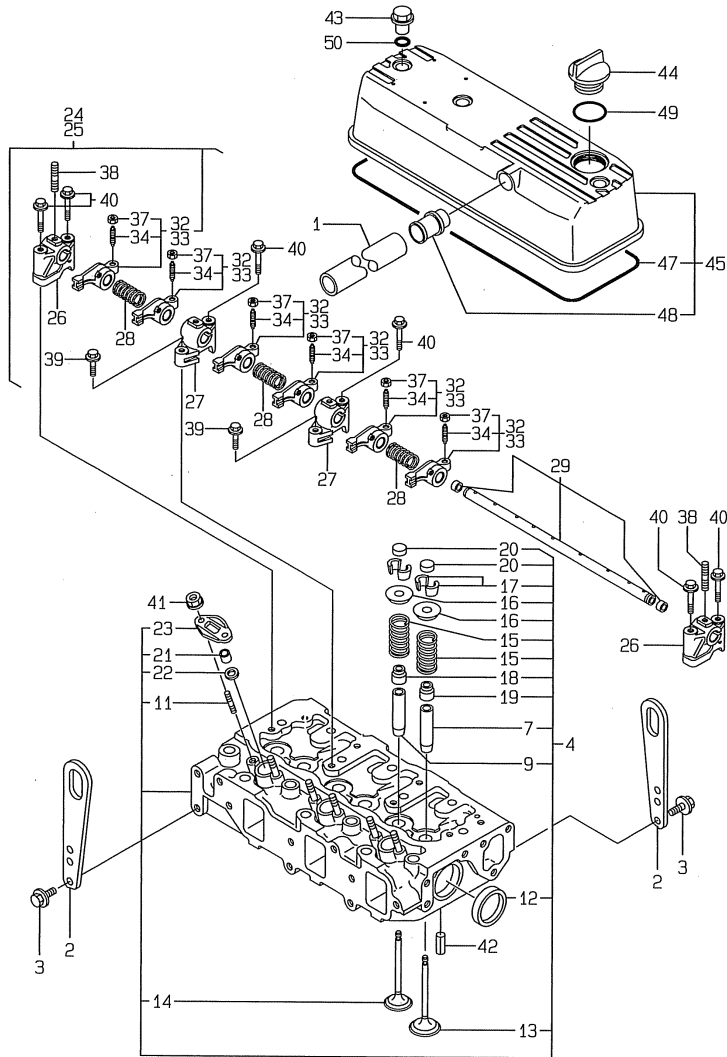
(D)=
(E)=
(F)=

No.	Lev.	Parts No.	Description	Q'ty						I	R
				(A)	(B)	(C)	(D)	(E)	(F)		
1	1	129100-01580	PIN, M8X16	2	2						
2	1	129612-01600	HOUSING, FLYWHEEL	1	1						
3	1	119620-01750	CAP	1	1						
4	1	26206-100252	BOLT, M10X 25 PLATED	6	6						
5	1	26206-100302	BOLT, M10X 30 PLATED	4	4						
6	1	129100-01730	SPACER, OIL SUMP	1	1						
7	1	129100-01760	SUMP ASSY, OIL	1	1						
8	2	171301-01640	PLUG, 22	1	1						
10	2	24341-000250	O-RING, 1AS25.0	1	1						
11	1	26106-080162	BOLT, M8X 16 PLATED	4	4						
12	1	26106-080252	BOLT, M8X 25 PLATED	2	2						
13	1	26106-080452	BOLT, M8X 45 PLATED	20	20						
13-1	1	26106-080452	BOLT, M8X 45 PLATED	16	16						K
		(A=FROM 1ST) (B=FROM 1ST)									
14	1	129100-01580	PIN, M8X16	2	2						
15	1	129100-01640	CASE ASSY, OIL SEAL	1	1						
17	2	129795-01780	SEAL, OIL	1	1						
18	1	129486-01670	BOLT, M8X30	9	9						
19	1	977770-01212	GASKET, LIQUID	1	1						1
20	1	26106-080502	BOLT, M8X 50 PLATED	4	4						W
		(A=FROM 1ST) (B=FROM 1ST)									

Remarks
(1) OPTIONAL PART.

Fig.4. CYLINDER HEAD & BONNET

Y00VB470
3TNE88-ENSR1, 2



(A)=3TNE88-ENSR1
(B)=3TNE88-ENSR2
(C)=

(D)=
(E)=
(F)=

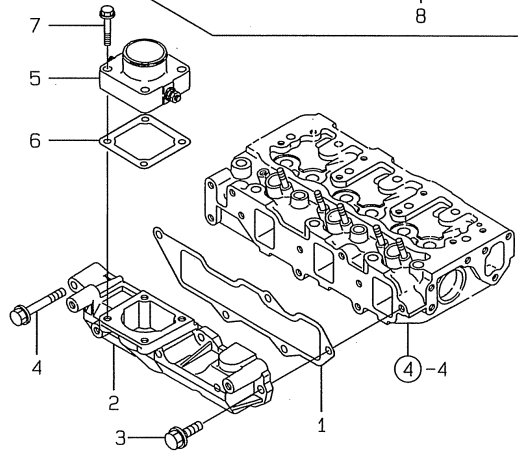
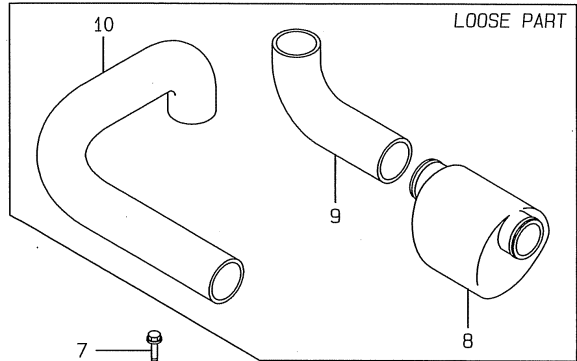
No.	Lev.	Parts No.	Description	Q'ty						I	R
				(A)	(B)	(C)	(D)	(E)	(F)		
1	1	171350-03090	PIPE , BREATHER 900	1	1						
2	1	129900-07900	LIFTER	2	2						
3	1	26106-080142	BOLT, M8X 14 PLATED	4	4						
4	1	129051-11700	HEAD ASSY, CYLINDER	1	1						
7	2	120130-11860	GUIDE, VALVE	3	3						1
9	2	129150-11810	GUIDE, VALVE	3	3						1
11	2	26216-060202	STUD, M6X 20	6	6						
12	2	27241-400000	PLUG, 40	2	2						
13	2	129100-11100	VALVE, INTAKE	3	3						
14	2	129100-11110	VALVE, EXHAUST	3	3						
15	2	129795-11120	SPRING, VALVE	6	6						
16	2	129795-11180	RETAINER, SPRING	6	6						
17	2	27310-080001	COTTER, 8	6	6						
18	2	121400-11340	SEAL, VALVE STEM	3	3						
19	2	124460-11340	SEAL, VALVE STEM	3	3						
20	2	129150-11370	CAP, VALVE	6	6						
21	2	119625-11872	PROTECTOR, NOZZLE	3	3						
22	2	119625-11880	SEAT, NOZZLE	3	3						
23	2	119625-11900	RETAINER, NOZZLE	3	3						
24	1	129100-11240	SHAFT ASSY, ROCKER	1							
25	1	129155-11241	SHAFT ASSY, ROCKER		1						
26	2	129155-11260	SUPPORT, ROCKER ARM	2	2						
27	2	129155-11270	SUPPORT, ROCKER ARM	2	2						
28	2	129150-11280	SPRING	3	3						
29	2	129150-11290	SHAFT, ROCKER ARM	1	1						
32	2	129100-11650	ARM, ROCKER	6							
33	2	729402-11650	ARM ASSY, ROCKER		6						
34	3	129150-11230	SCREW, VALVE ADJUST	6	6						
37	3	129150-11750	NUT, M8	6	6						
38	2	119802-11280	STUD	3	3						
39	1	26106-080252	BOLT, M8X 25 PLATED	2	2						
40	1	26106-080502	BOLT, M8X 50 PLATED	6	6						
41	1	26366-060002	NUT, M6	6	6						
42	1	22351-060012	PIN, SPRING 6.0X12	2	2						
43	1	124160-11360	KNOB	3	3						
44	1	124160-01751	COVER, FILLER	1	1						
45	1	129001-11351	BONNET ASSY, HEAD	1	1						
47	2	129001-11310	GASKET, BONNET	1	1						
48	2	129001-11340	PIPE , BREATHER	1	1						
49	1	24311-000320	O-RING, 1AP32.0	1	1						
50	1	24311-000120	O-RING, 1AP12.0	3	3						

Remarks

(1) REPAIR PART.

Fig.5. SUCTION MANIFOLD

Y00V8470
3TNE88-ENSR1, 2



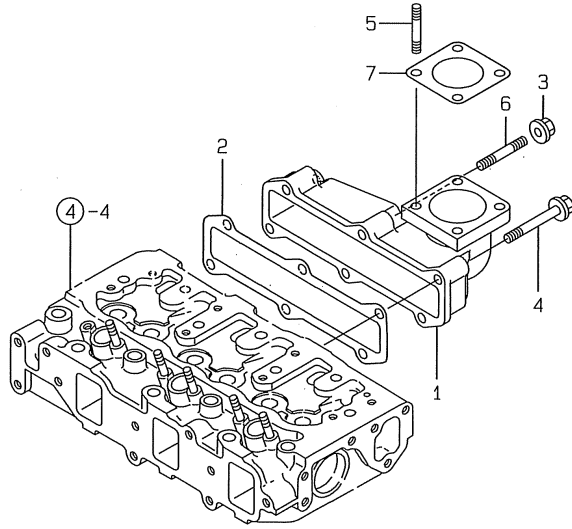
(A)=3TNE88-ENSR1
(B)=3TNE88-ENSR2
(C)=

(D)=
(E)=
(F)=

No.	Lev.	Parts No.	Description	Q'ty						I	R
				(A)	(B)	(C)	(D)	(E)	(F)		
1	1	129001-12110	GASKET, MANIFOLD	1	1						
2	1	129001-12120	MANIFOLD, AIR INTAKE	1	1						
3	1	26106-080202	BOLT, M8X 20 PLATED	4	4						
4	1	26106-080502	BOLT, M8X 50 PLATED	1	1						
5	1	129120-77501	HEATER	1	1						
6	1	129150-77511	GASKET	1	1						
7	1	26106-080352	BOLT, M8X 35 PLATED	4	4						
8	1	121855-12060	SILENCER ASSY	1	1						
9	1	129030-12550	PIPE, AIR INTAKE	1	1						
10	1	129030-12560	PIPE, AIR INTAKE	1	1						

Fig.6. EXHAUST MANIFOLD

Y00VB470
3TNE88-ENSR1, 2



(A)=3TNE88-ENSR1
(B)=3TNE88-ENSR2
(C)=

(D)=
(E)=
(F)=

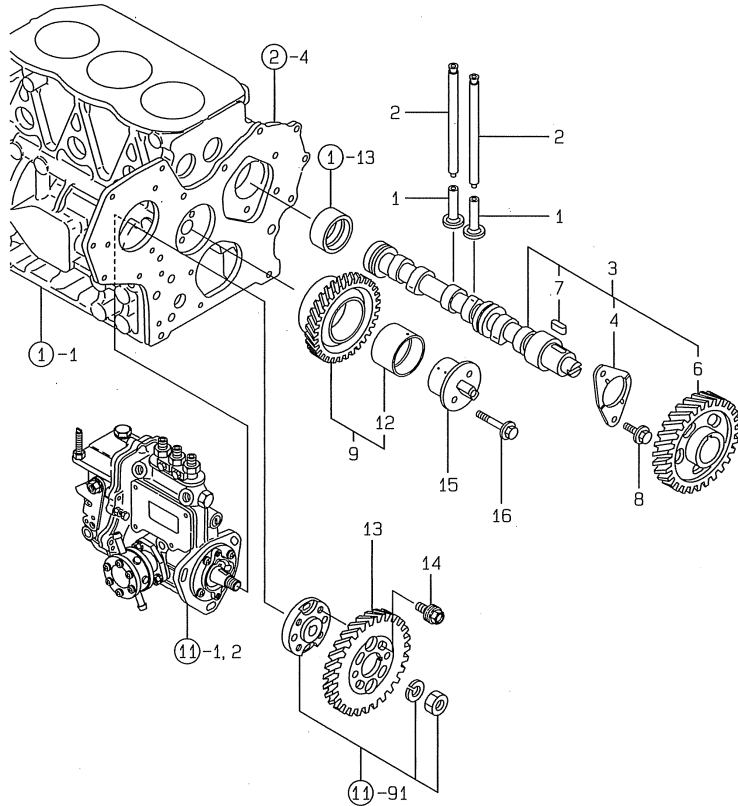
No.	Lev.	Parts No.	Description	Q'ty						I	R
				(A)	(B)	(C)	(D)	(E)	(F)		
1	1	129001-13100	MANIFOLD, EXHAUST	1	1						
2	1	129001-13110	GASKET	1	1						
3	1	26306-080002	NUT, M8	2	2						
4	1	26106-080402	BOLT, M8X 40 PLATED	4	4						
5	1	119131-18320	STUD, M8X22	4	4						
6	1	26216-080402	STUD, M8X 40	2	2						
7	1	124701-11911	GASKET, SILENCER	1	1						

Fig.7. CAMSHAFT & DRIVING GEAR

(A)=3TNE88-ENS1
 (B)=3TNE88-ENS2
 (C)=

(D)=
 (E)=
 (F)=

Y00VB470
 3TNE88-ENS1, 2

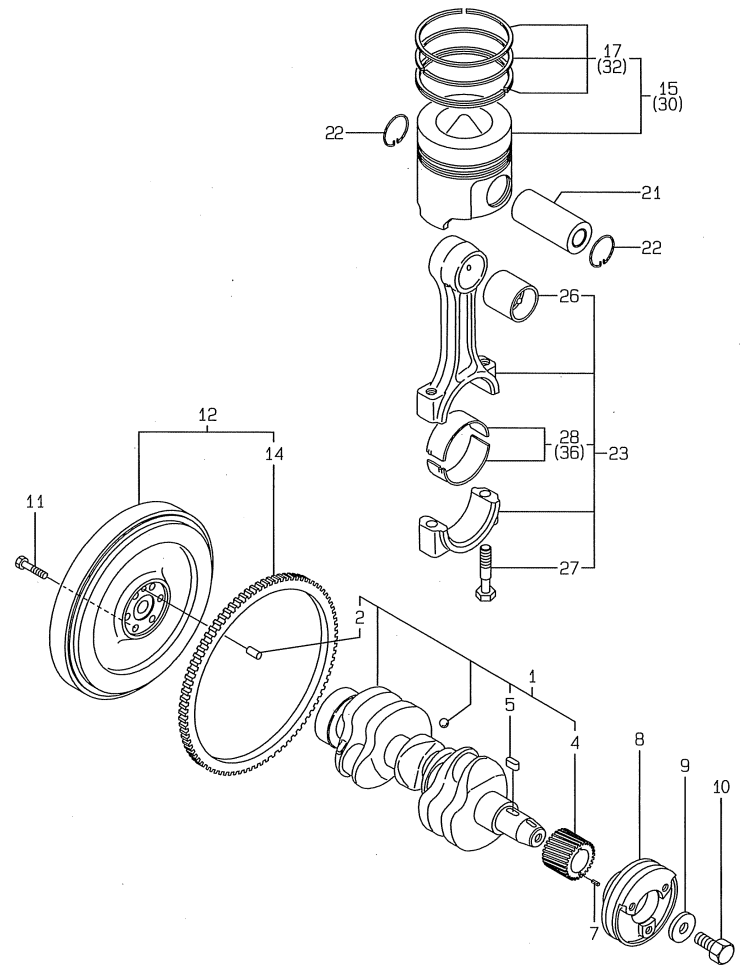


No.	Lev.	Parts No.	Description	Q'ty						I	R
				(A)	(B)	(C)	(D)	(E)	(F)		
1	1	129150-14200	TAPPET	6	6						
2	1	129150-14400	ROD, PUSH L=178	6	6						
3	1	129129-14580	CAMSHAFT ASSY	1	1						
4	2	129150-02450	BEARING, THRUST	1	1						
6	2	129150-14101	GEAR, CAMSHAFT	1	1						
7	2	22512-070140	KEY, 7X 14	1	1						
8	1	26106-080142	BOLT, M8X 14 PLATED	2	2						
9	1	129150-25101	GEAR ASSY, IDLE	1	1						
12	2	129150-25920	BUSH, IDLE GEAR	1	1						1
13	1	129150-25931	GEAR, PUMP	1	1						
14	1	129150-25301	BOLT	4	4						
15	1	129100-25061	SHAFT, IDLE	1	1						
16	1	26106-080452	BOLT, M8X 45 PLATED	2	2						

Remarks
 (1) REPAIR PART.

Fig.8. CRANKSHAFT & PISTON

Y00V8470
3TNE88-ENSR1, 2



(A)=3TNE88-ENSR1
(B)=3TNE88-ENSR2
(C)=

(D)=
(E)=
(F)=

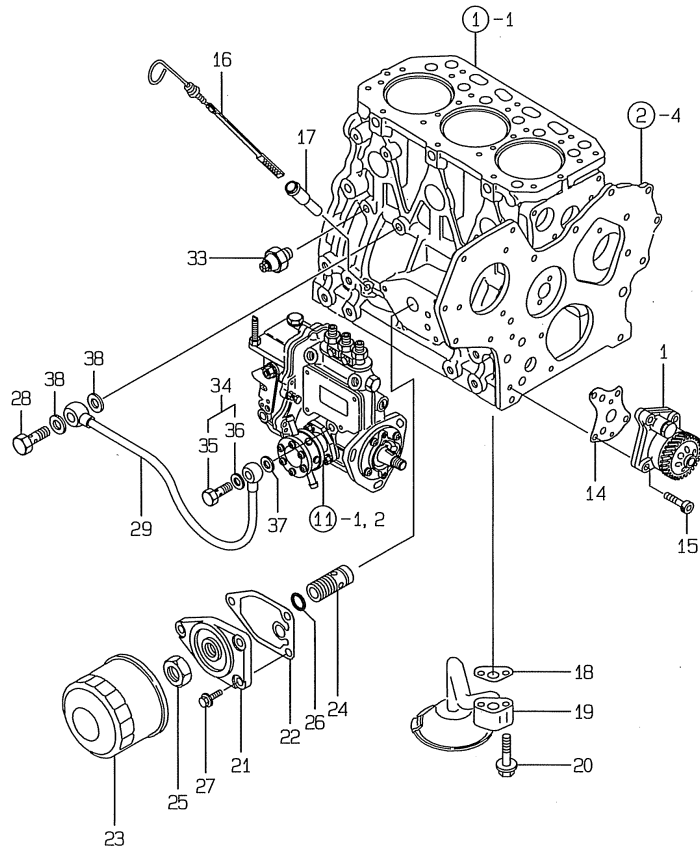
No.	Lev.	Parts No.	Description	Q'ty						I	R
				(A)	(B)	(C)	(D)	(E)	(F)		
1	1	129001-21100	CRANKSHAFT ASSY	1	1						
2	2	129100-01580	PIN, M8X16	1	1						
4	2	129150-21200	GEAR, CRANKSHAFT	1	1						
5	2	22512-070140	KEY, 7X 14	1	1						
7	1	22351-040010	PIN, SPRING 4.0X10	1	1						
8	1	171340-21650	V-PULLEY	1	1						
9	1	129795-21661	WASHER	1	1						
10	1	121850-21680	BOLT	1	1						
11	1	121111-21501	BOLT, FLYWHEEL	6	6						
12	1	129030-21590	FLYWHEEL ASSY	1	1						
14	2	119865-21600	GEAR, RING	1	1						
15	1	129001-22070	PISTON ASSY	3	3						
17	2	129001-22500	RING SET, PISTON	3	3						
21	1	129202-22300	PIN, PISTON D26 L70	3	3						
22	1	22252-000260	RING, 26	6	6						
23	1	729402-23100	ROD ASSY, CONNECTING	3	3						
26	2	129100-23910	BEARING, PISTON PIN	3	3						1
27	2	121550-23200	BOLT, CONNECTING ROD	6	6						
28	2	129150-23600	BEARING, CRANK PIN	3	3						
30	1	129001-22930	PISTON ASSY, 0.25 OS	3	3						2
32	2	129001-22950	RING SET, 0.25 OS	3	3						2
36	1	129150-23610	BEARING, 0.25 US	3	3						3

Remarks

- (1) REPAIR PART.
- (2) OVER-SIZE(O.S=0.25)PART.
- (3) UNDER-SIZE(U.S=0.25)PART.

Fig.9. LUB.OIL SYSTEM

Y00VB470
3TNE88-ENSR1, 2



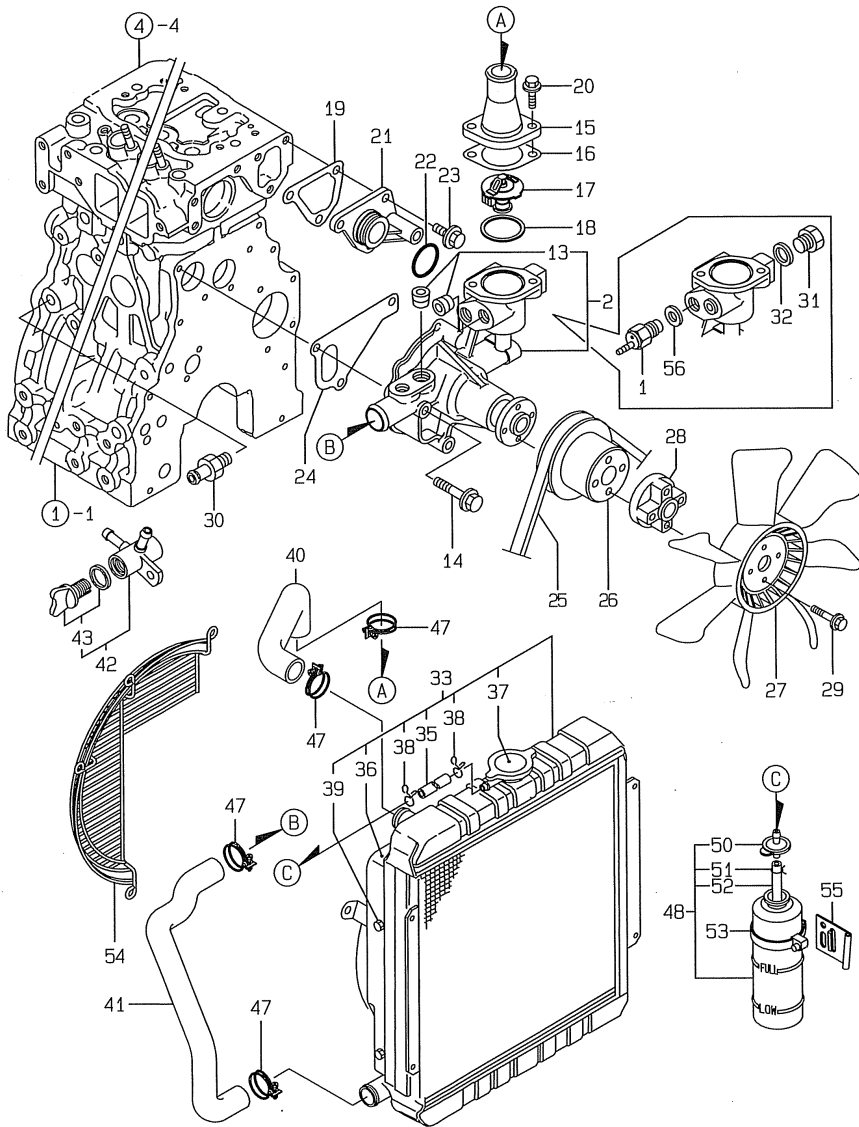
(A)=3TNE88-ENSR1
(B)=3TNE88-ENSR2
(C)=

(D)=
(E)=
(F)=

No.	Lev.	Parts No.	Description	Q'ty						I	R
				(A)	(B)	(C)	(D)	(E)	(F)		
1	1	129001-32001	PUMP ASSY, OIL	1	1						
14	1	129150-32020	GASKET, PUMP	1	1						
15	1	26450-060252	BOLT, M6X 25	4	4						
16	1	171420-34820	DIPSTICK, OIL	1	1						
17	1	121520-34810	GUIDE, DIPSTICK	1	1						
18	1	129150-35041	GASKET	1	1						
19	1	129100-35301	PIPE ASSY, OIL INLET	1	1						
20	1	26106-080352	BOLT, M8X 35 PLATED	2	2						
21	1	129150-35101	BRACKET, STRAINER	1	1						
22	1	129150-35111	GASKET	1	1						
23	1	129150-35151	FILTER, D80XL80	1	1						
24	1	129001-35300	BOLT, FILTER	1	1						
25	1	129150-35350	NUT	1	1						
26	1	24311-000160	O-RING, 1AP16.0	1	1						
27	1	26106-080202	BOLT, M8X 20 PLATED	3	3						
28	1	124160-39140	BOLT, PIPE JOINT M10	1	1						
29	1	129150-39450	PIPE ASSY, OIL	1	1						
33	1	121252-39450	SWITCH, 0.5KG	1	1						
34	1	124550-59830	BOLT ASSY, JOINT M8	1	1						
35	2	124550-59820	BOLT, PIPE JOINT M8	1	1						
36	2	22190-080002	WASHER, SEAL 6	1	1						
37	1	22190-080002	WASHER, SEAL 6	1	1						
38	1	22190-100002	WASHER, SEAL 10	2	2						

Fig.10. COOLING WATER SYSTEM

Y00VB470
3TNE88-ENSR1, 2



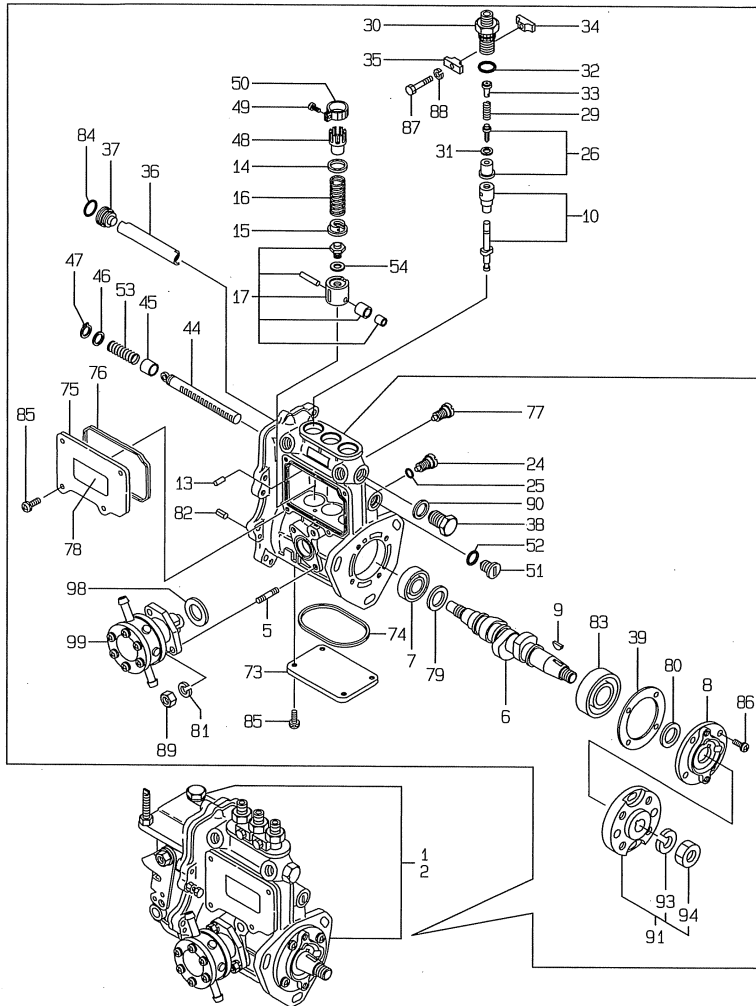
(A)=3TNE88-ENSR1
(B)=3TNE88-ENSR2
(C)=

(D)=
(E)=
(F)=

No.	Lev.	Parts No.	Description	Q'ty						I	R
				(A)	(B)	(C)	(D)	(E)	(F)		
1	1	121250-44901	SWITCH, 110	1	1						
2	1	129001-42003	PUMP ASSY, WATER	1	1						
13	2	23876-030000	PLUG, R03	2	2						
14	1	26106-080602	BOLT, M8X 60 PLATED	3	3						
15	1	129350-49560	COVER, THERMOSTAT	1	1						
16	1	129795-49551	GASKET	1	1						
17	1	129155-49800	THERMOSTAT, 71	1	1						
18	1	129150-49811	GASKET, THERMOSTAT	1	1						
19	1	124395-49840	GASKET	1	1						
20	1	26106-080202	BOLT, M8X 20 PLATED	2	2						
21	1	129001-42040	JOINT	1	1						
22	1	129486-42140	O-RING, G30	1	1						
23	1	26106-080162	BOLT, M8X 16 PLATED	3	3						
24	1	129486-42021	GASKET, WATER PUMP	1	1						
25	1	25132-003800	V-BELT, A38	1	1						
26	1	129155-42350	V-PULLEY	1	1						
27	1	129120-44741	FAN, COOLING 360	1	1						
28	1	171353-44760	SPACER, FAN	1	1						
29	1	26106-060352	BOLT, M6X 35 PLATED	4	4						
30	1	121550-49111	JOINT, PT1/4	1	1						
31	1	121450-42450	PLUG, M16	1	1						
32	1	124465-44950	GASKET, 16	1	1						
33	1	129420-44500	RADIATOR	1	1						
35	2	129132-44530	HOSE, RUBBER	1	1						
36	2	129420-44550	SHROUD ASSY	1	1						
37	2	119259-44570	CAP, RADIATOR	1	1						
38	2	121250-44590	CLAMP	2	2						
39	2	26014-060122	BOLT, M6X 12	4	4						
40	1	171420-49010	PIPE, WATER	1	1						
41	1	171420-49020	PIPE, WATER	1	1						
42	1	129150-49100	COCK ASSY, 3-WAY	1	1						
43	2	129150-49080	COCK, DRAIN	1	1						
47	1	23010-038000	CLAMP, 38	4	4						
48	1	124450-44510	TANK ASSY, SUB	1	1						
50	2	124450-44530	CAP	1	1						
51	2	124450-44560	RETAINER	1	1						
52	2	23061-070230	PIPE, 7X 230	1	1						
53	1	124450-44550	BAND	1	1						
54	1	129430-44560	GUARD	1	1						
55	1	121256-44600	BRACKET, SUB TANK	1	1						
56	1	124465-44950	GASKET, 16	1	1						

Fig.11. FUEL INJECTION PUMP

Y00VB470
3TNE88-ENSR1, 2

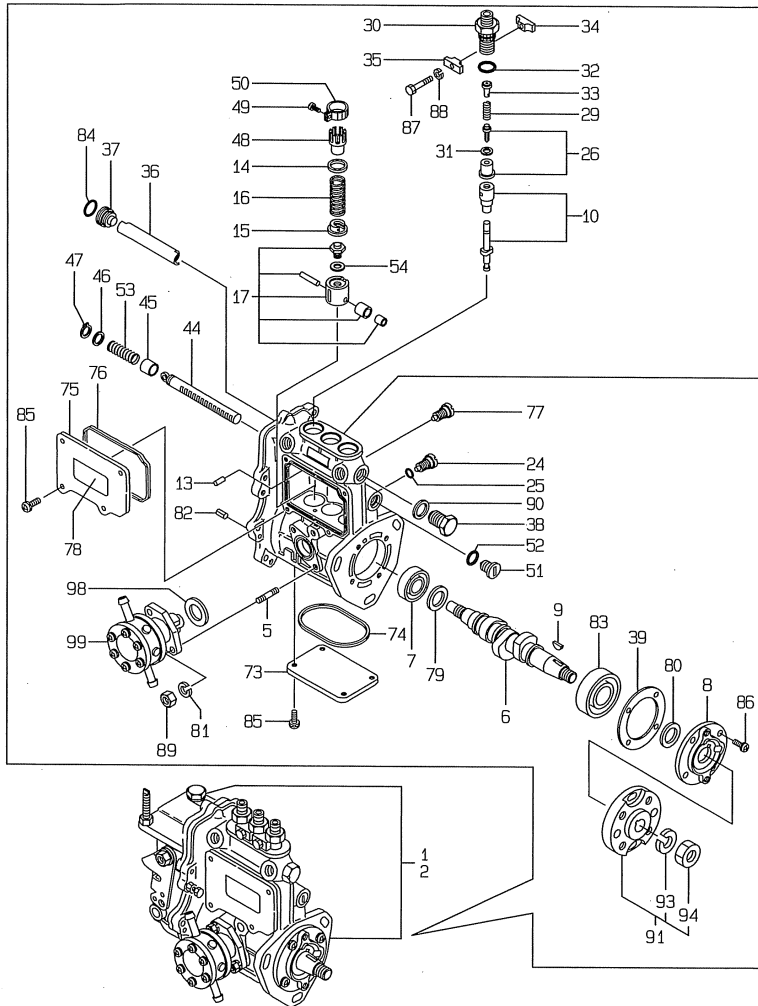


No.	Lev.	Parts No.	Description	Qty						I	R
				(A)	(B)	(C)	(D)	(E)	(F)		
1	1	729031-51450	PUMP ASSY, INJECTION	1							1
2	1	729209-51480	PUMP ASSY, INJECTION		1						1
5	2	129155-51020	STUD	2	2						
6	2	129171-51040	CAMSHAFT	1	1						
7	2	129155-51050	BEARING, 17BM001D	1	1						
8	2	129208-51060	SUPPORT	1	1						
9	2	122710-51090	KEY	1	1						
10	2	129506-51100	PLUNGER ASSY	3	3						
13	2	129155-51140	PIN	3	3						
14	2	174307-51170	RETAINER, SPRING A	3	3						
15	2	129155-51180	RETAINER, SPRING	3	3						
16	2	124950-51190	SPRING, PLUNGER	3	3						
17	2	129155-51200	TAPPET ASSY	3	3						
24	2	129155-51270	STOPPER, TAPPET	3	3						
25	2	129155-51280	O-RING, S6	3	3						
26	2	129209-51300	VALVE ASSY, DELIVERY	3	3						
29	2	129573-51330	SPRING, DELIVERY	3	3						
30	2	129573-51340	RETAINER	3	3						
31	2	124550-51350	GASKET, DELIVERY	3	3						
32	2	124550-51370	O-RING	3	3						
33	2	129573-51370	STOPPER, VALVE	3	3						
34	2	129155-51380	STOPPER	2	2						
35	2	129155-51390	STOPPER	2	2						
36	2	129155-51400	DEFLECTOR	1	1						
37	2	129155-51410	BOLT	1	1						
38	2	129155-51420	PLUG, M16	1	1						
39	2	129155-51450	SHIM SET, ADJUSTING	1	1						
44	2	129155-51500	RACK, CONTROL	1	1						
45	2	129155-51521	BUSH, RACK	1	1						
46	2	129155-51530	SPACER	1	1						
47	2	129155-51540	CIRCLIP	1	1						
48	2	129155-51550	PINION, CONTROL	3	3						
49	2	129100-51570	SCREW	3	3						
50	2	129100-51560	PINION	3	3						
51	2	129155-51570	PLUG, M12	1	1						
52	2	129155-51580	O-RING	1	1						
53	2	129155-51591	SPRING, RACK	1	1						
54	2	129155-51600	SHIM SET, ADJUSTING	3	3						
73	2	129155-51701	COVER	1	1						
74	2	129155-51711	GASKET	1	1						
75	2	129155-51751	COVER	1	1						
76	2	129155-51760	GASKET	1	1						
77	2	129155-51790	STOOPER, RACK	1	1						
78	2	129156-51910	LABEL, CAUTION	1	1						
79	2	129155-51930	SPACER, T=3.25	1	1						
80	2	129155-51940	SPACER, T=1.5	1	1						
81	2	22217-060000	WASHER, SPRING 6	2	2						
82	2	22351-050010	PIN, SPRING 5.0X10	2	2						
83	2	24101-063034	BEARING, BALL 6303	1	1						
84	2	24341-000160	O-RING, 1AS16.0	1	1						
85	2	26022-050122	SCREW, M5X12	8	8						

Remarks
(1)GOVERNOR ASSY(FIG.12)IS
INCORPORATED IN THIS FUEL
INJECTION PUMP ASSY(REF.NO.1,2).

Fig.11. FUEL INJECTION PUMP

Y00VB470
3TNE88-ENSR1, 2



(A)=3TNE88-ENSR1
(B)=3TNE88-ENSR2
(C)=

(D)=
(E)=
(F)=

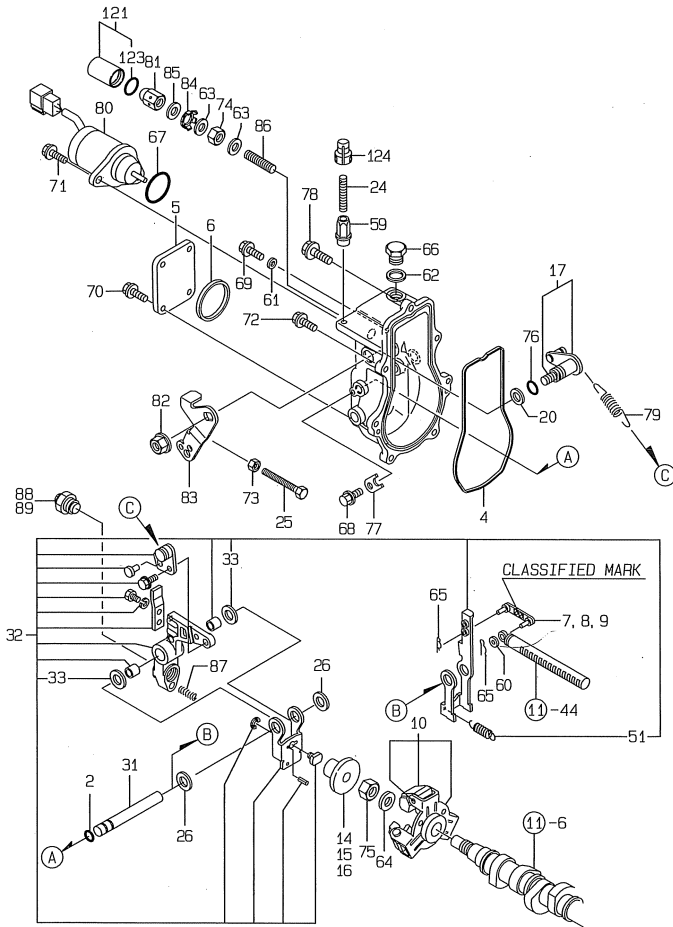
No.	Lev.	Parts No.	Description	Q'ty						I	R
				(A)	(B)	(C)	(D)	(E)	(F)		
86	2	26022-060162	SCREW, M6X16	4	4						
87	2	26116-050302	BOLT, M5X 30 PLATED	2	2						
88	2	22217-050000	WASHER, SPRING 5	2	2						
89	2	26716-060002	NUT, M6	2	2						
90	2	22190-160002	WASHER, SEAL 16	1	1						
91	2	129208-54500	FLANGE ASSY	1	1						
93	3	22217-120000	WASHER, SPRING 12	1	1						
94	3	26716-120002	NUT, M12	1	1						
98	2	129155-52050	GASKET	1	1						
99	2	129100-52100	PUMP ASSY, FUEL FEED	1	1						

Remarks

(1)GOVERNOR ASSY(FIG.12)IS
INCORPORATED IN THIS FUEL
INJECTION PUMP ASSY(REF.NO.1,2).

Fig.12. GOVERNOR

Y00V8470
3TNE88-ENSR1, 2



(A)=3TNE88-ENSR1
(B)=3TNE88-ENSR2
(C)=

(D)=
(E)=
(F)=

No.	Lev.	Parts No.	Description	Q'ty						I	R
				(A)	(B)	(C)	(D)	(E)	(F)		
2	2	129155-51280	O-RING, S6	1	1						
4	2	129052-61050	GASKET	1	1						
5	2	129052-61060	COVER, GOVERNOR CASE	1	1						
6	2	129052-61070	GASKET	1	1						
7	2	129155-61120	LINK, L=30 MARK 0	1	1						1
8	2	129155-61130	LINK, L=31 MARK 1	1	1						1
9	2	129155-61140	LINK, L=30.5 MARK 05	1	1						1
10	2	129486-61201	WEIGHT ASSY,GOVERNOR	1	1						
14	2	129155-61341	SLEEVE	1	1						2
15	2	129155-61350	SLEEVE, L=24.9	1	1						2
16	2	129155-61360	SLEEVE, L=25.2	1	1						2
17	2	129100-61400	SHAFT ASSY	1	1						
20	2	129155-61430	SPACER	1	1						
24	2	129155-61450	BOLT, LIMITER	1	1						
25	2	129155-61460	BOLT, IDLE	1	1						
26	2	129155-61480	SPACER ASSY	2	2						
31	2	129052-61390	SHAFT	1	1						
32	2	119908-61501	LEVER ASSY, GOVERNOR	1	1						
33	3	174307-51700	SHIM SET	2	2						
51	3	129486-61540	SPRING, SET	1	1						
59	2	129209-61370	NUT, M6	1	1						
60	2	22117-040000	WASHER, 4	1	1						
61	2	22190-060003	SEAL WASER 6	1	1						
62	2	22190-100002	WASHER, SEAL 10	1	1						
63	2	22190-120002	WASHER, SEAL 12	2	2						
64	2	22287-120000	WASHER, 12	1	1						
65	2	22372-040000	PIN, SNAP 4	2	2						
66	2	23887-100002	PLUG, 10	1	1						
67	2	24341-000280	O-RING, 1AS28.0	1	1						
67-1	2	158552-61900	O-RING	1	1						N
(A=EXXXXX) (B=EXXXXX)											
68	2	26106-060102	BOLT, M6X 10 PLATED	1	1						
69	2	26106-060102	BOLT, M6X 10 PLATED	1	1						
70	2	26106-060102	BOLT, M6X 10 PLATED	4	4						
71	2	26106-060142	BOLT, M6X 14 PLATED	2	2						
72	2	26106-060202	BOLT, M6X 20 PLATED	6	6						
73	2	26756-060002	NUT, LOCK M6	1	1						
74	2	26736-120002	NUT, M12	1	1						
75	2	26776-120002	NUT, LOCK M12	1	1						
76	2	129155-61830	O-RING, S10	1	1						
77	2	119660-61901	RETAINER, SHAFT	1	1						
78	2	129155-61950	BOLT	1	1						
79	2	129489-61700	SPRING, GOVERNOR	1	1						
80	2	119653-77950	SOLENOID, STOP	1	1						
81	2	129209-61930	NUT, CAP	1	1						
82	2	26366-080002	NUT, M8	1	1						
83	2	129100-61440	LEVER, CONTROL	1	1						
84	2	129209-61970	PLATE	1	1						
85	2	23414-120016	GASKET, 12X1.0	1	1						
86	2	120323-61470	BOLT, CONTROL	1	1						
87	2	129100-61650	SPRING, CONTROLLER	1	1						

Remarks

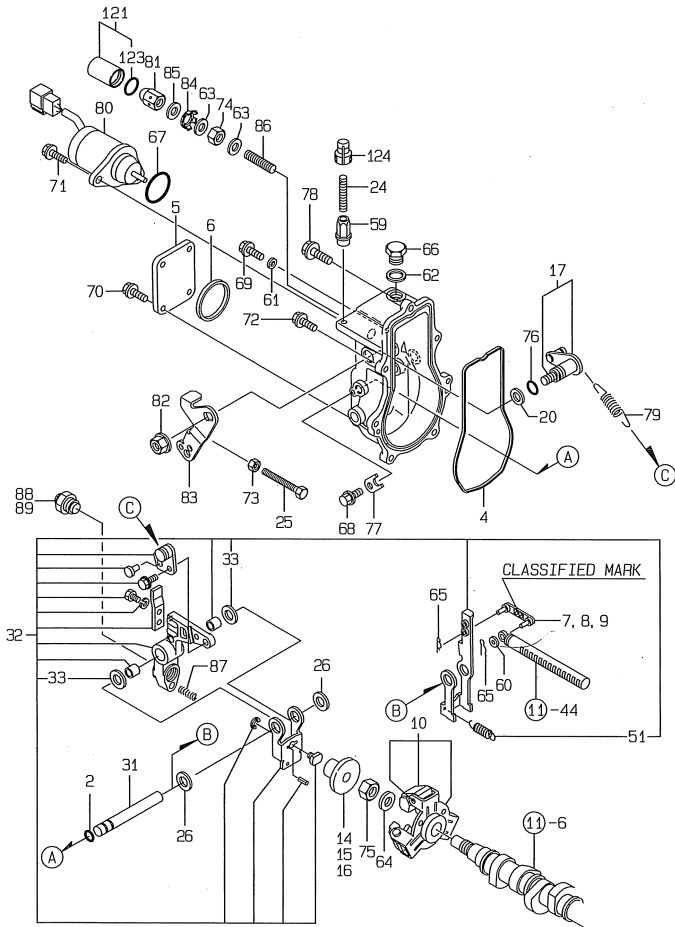
(1) SELECTIVE PARTS: CERTAIN THE CLASSIFICATION MARK, THEN PLACE YOUR ORDER.(REFER TO ILLUSTRATION).

(2) SELECTIVE PARTS.

* THIS FIGURE(GOVERNOR ASSY)IS INCORPORATED IN THE FUEL INJECTION PUMP ASSY(FIG.11).

Fig.12. GOVERNOR

Y00V8470
3TNE88-ENSR1, 2



(A)=3TNE88-ENSR1
(B)=3TNE88-ENSR2
(C)=

(D)=
(E)=
(F)=

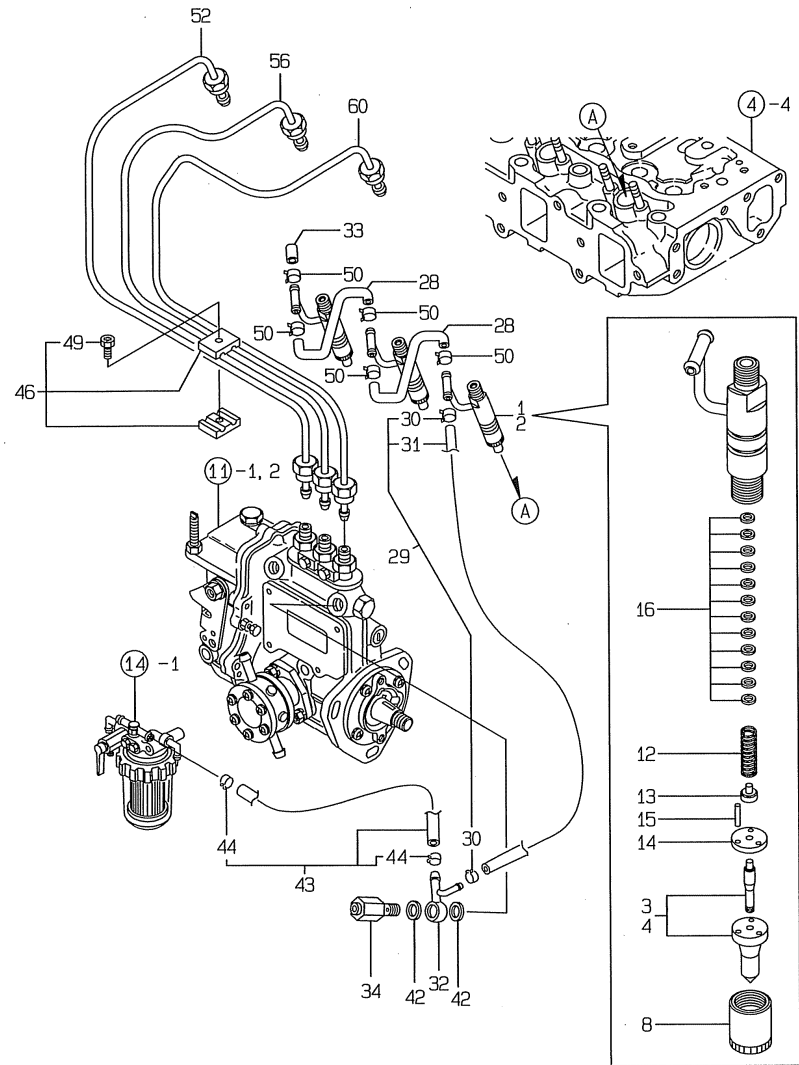
No.	Lev.	Parts No.	Description	Q'ty						I	R
				(A)	(B)	(C)	(D)	(E)	(F)		
88	2	119654-66700	ANGLEICH ASSY	1							
89	2	119600-66720	ANGLEICH ASSY		1						
121	1	129209-61940	CASE ASSY	1	1						
123	2	24311-000150	O-RING, 1AP15.0	1	1						
124	1	119285-66610	CAP, HIGH-IDLE	1	1						

Remarks

- (1) SELECTIVE PARTS: CERTAIN THE CLASSIFICATION MARK, THEN PLACE YOUR ORDER.(REFER TO ILLUSTRATION).
- (2) SELECTIVE PARTS.
- * THIS FIGURE(GOVERNOR ASSY)IS INCORPORATED IN THE FUEL INJECTION PUMP ASSY(FIG.11).

Fig.13. FUEL INJECTION VALVE

Y00V8470
3TNE88-ENSR1, 2



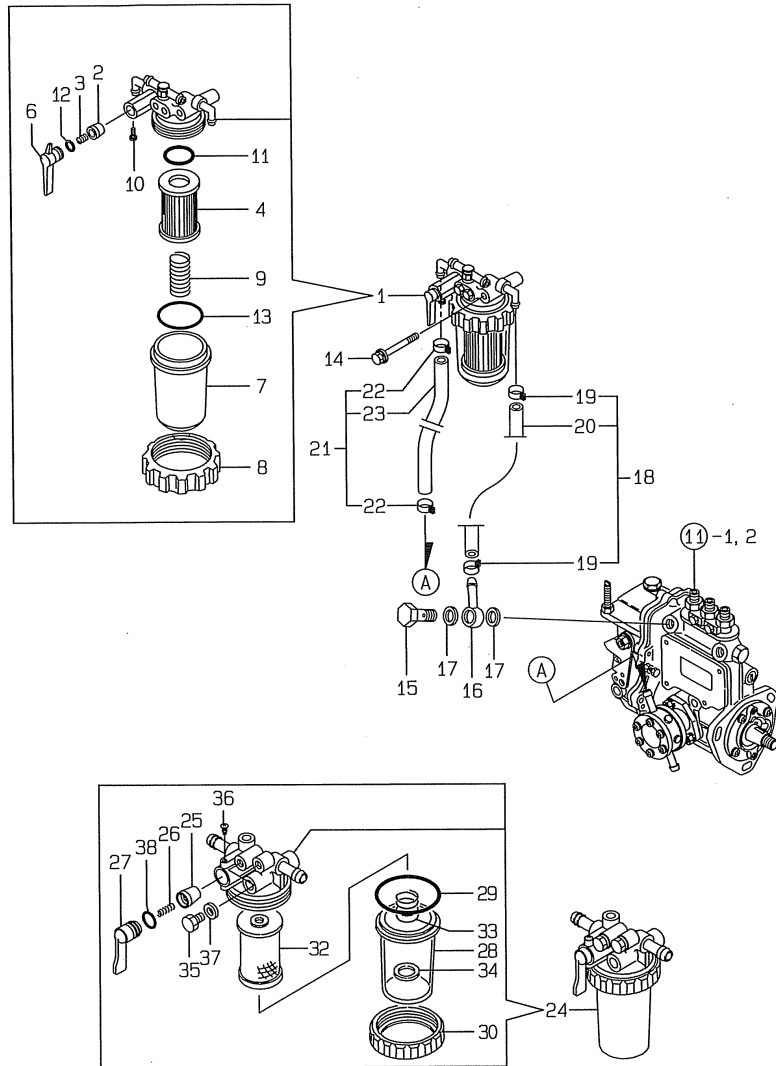
(A)=3TNE88-ENSR1
(B)=3TNE88-ENSR2
(C)=

(D)=
(E)=
(F)=

No.	Lev.	Parts No.	Description	Q'ty						I	R
				(A)	(B)	(C)	(D)	(E)	(F)		
1	1	729209-53200	VALVE ASSY,INJECTION	3							
2	1	729209-53100	VALVE ASSY,INJECTION		3						
3	2	129209-53100	VALVE ASSY,INJECTION	3							
4	2	129209-53000	VALVE ASSY,INJECTION		3						
8	2	114250-53080	NUT, NOZZLE D16.95	3	3						
12	2	114250-53120	SPRING, NOZZLE	3	3						
13	2	114250-53130	SEAT, SPRING	3	3						
14	2	114250-53140	PLATE	3	3						
15	2	114250-53210	PIN	6	6						
16	2	114250-53400	SHIM SET	3	3						
28	1	121250-59550	PIPE, FUEL D8X120	2	2						
29	1	119840-59500	PIPE ASSY, RETURN	1	1						
30	2	124066-59100	CLIP, HOSE 8	2	2						
31	2	119840-59560	PIPE, FUEL RETURN	1	1						
32	1	119840-59570	JOINT	1	1						
33	1	129150-59580	CAP	1	1						
34	1	129100-59951	VALVE ASSY, CHECK	1	1						
42	1	22190-120002	WASHER, SEAL 12	2	2						
43	1	129210-59130	PIPE ASSY, FUEL	1	1						
44	2	124766-59050	CLIP, HOSE 12	2	2						
46	1	119305-59120	RETAINER, PIPE	2	2						
49	2	129150-59131	BOLT, M4X14	2	2						
50	1	124066-59100	CLIP, HOSE 8	5	5						
52	1	129052-59810	PIPE ASSY, INJECTION	1	1						
56	1	129052-59820	PIPE ASSY, INJECTION	1	1						
60	1	129052-59830	PIPE ASSY, INJECTION	1	1						

Fig.14. FUEL LINE

Y00VB470
3TNE88-ENSR1, 2



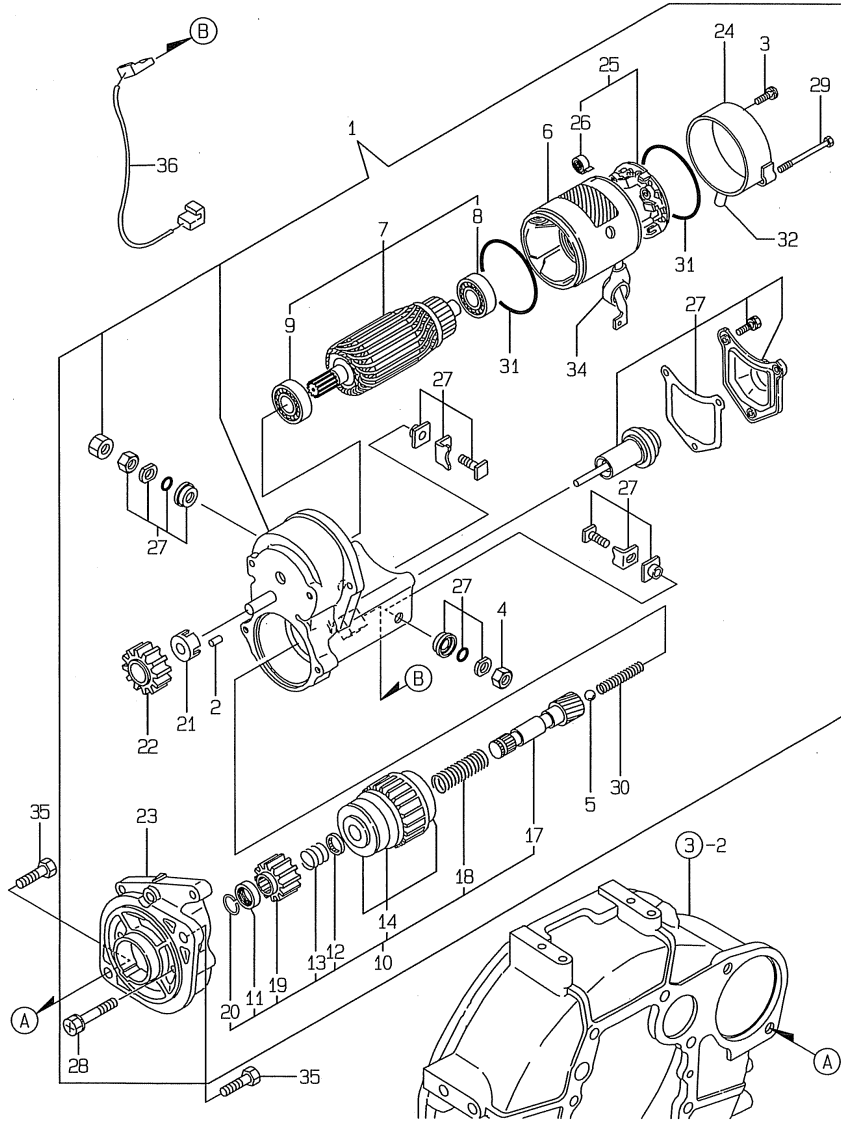
(A)=3TNE88-ENSR1
(B)=3TNE88-ENSR2
(C)=

(D)=
(E)=
(F)=

No.	Lev.	Parts No.	Description	Qty						I	R
				(A)	(B)	(C)	(D)	(E)	(F)		
1	1	129052-55620	FILTER ASSY, FUEL	1	1						
2	2	104200-55321	VALVE, TAPER	1	1						
3	2	104200-55330	SPRING, VALVE	1	1						
4	2	129100-55650	ELEMENT	1	1						
6	2	129100-55670	LEVER	1	1						
7	2	129100-55680	CUP, STRAINER	1	1						
8	2	129100-55690	RING, RETAINING	1	1						
9	2	129100-55700	SPRING	1	1						
10	2	104200-55750	SCREW, M4	1	1						
11	2	24311-000160	O-RING, 1AP16.0	1	1						
12	2	24311-240100	O-RING, 1AP10A	1	1						
13	2	24321-000650	O-RING, 1AG65.0	1	1						
14	1	26014-080702	BOLT, M8X 70	1	1						
15	1	103854-39140	BOLT, PIPE JOINT	1	1						
16	1	101304-59020	JOINT, PIPE 12	1	1						
17	1	22190-120002	WASHER, SEAL 12	2	2						
18	1	129210-59040	PIPE ASSY, FUEL	1	1						
19	2	124766-59050	CLIP, HOSE 12	2	2						
20	2	129555-59510	PIPE, D13/7.5X180	1	1						
21	1	129210-59150	PIPE ASSY, FUEL	1	1						
22	2	124766-59050	CLIP, HOSE 12	2	2						
23	2	105025-59530	PIPE, FUEL D13X400	1	1						
24	1	121850-55800	SEPARATOR ASSY,WATER	1	1						
25	2	104200-55321	VALVE, TAPER	1	1						
26	2	104200-55330	SPRING, VALVE	1	1						
27	2	104200-55341	HANDLE	1	1						
28	2	121254-55510	COVER	1	1						
29	2	102103-55520	O-RING	1	1						
30	2	110250-55610	RING, RETAINING	1	1						
32	2	121850-55710	SCREEN	1	1						
33	2	121257-55720	SPRING	1	1						
34	2	121257-55731	FLOAT	1	1						
35	2	101720-55750	PLUG, 6	2	2						
36	2	104200-55750	SCREW, M4	1	1						
37	2	23418-060000	GASKET, 6X1.0	2	2						
38	2	24311-240100	O-RING, 1AP10A	1	1						

Fig.15. STARTING MOTOR

Y00VB470
3TNE88-ENSR1, 2



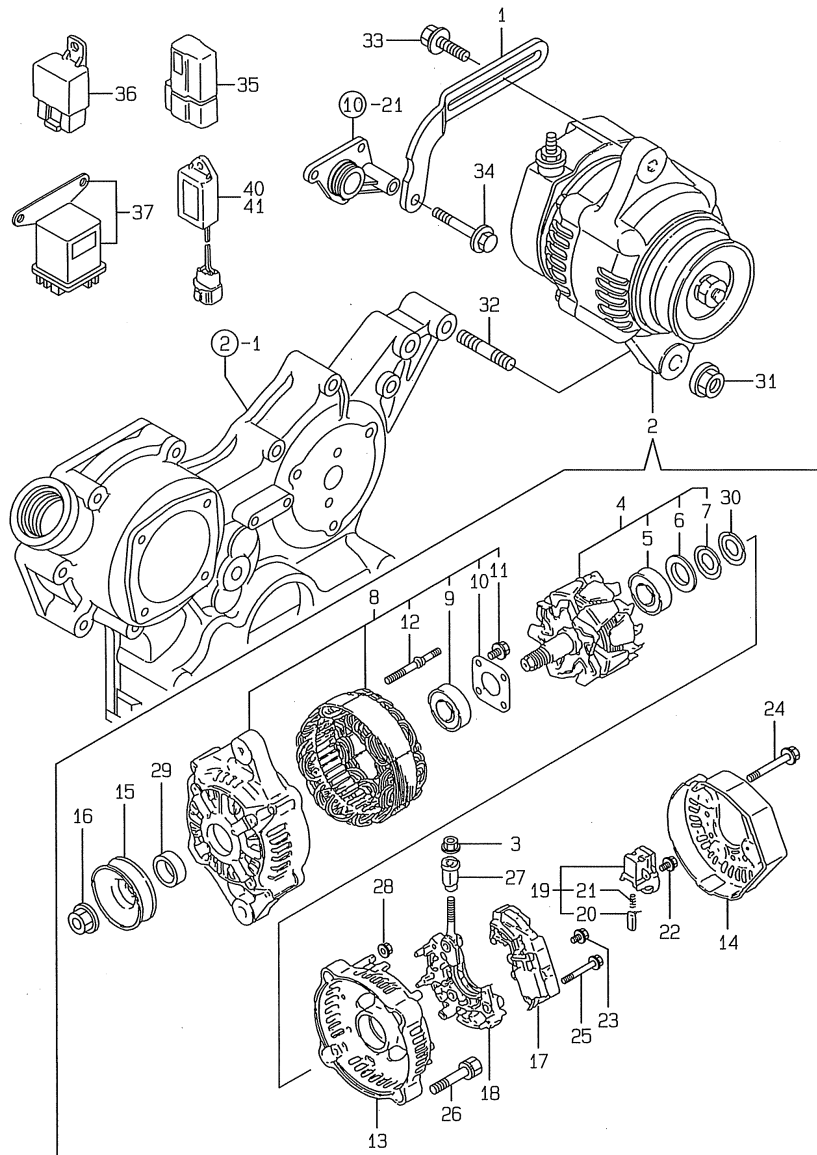
(A)=3TNE88-ENSR1
(B)=3TNE88-ENSR2
(C)=

(D)=
(E)=
(F)=

No.	Lev.	Parts No.	Description	Q'ty						I	R
				(A)	(B)	(C)	(D)	(E)	(F)		
1	1	129129-77010	STARTER ASSY	1	1						
2	2	X0283060061	ROLLER	5	5						
3	2	129129-77460	SCREW	2	2						
4	2	X9490561370	NUT	1	1						
5	2	X9491200240	BALL	1	1						
6	2	129129-77210	YOKE ASSY	1	1						
7	2	129129-77220	ARMATURE ASSY	1	1						
8	3	129129-77230	BEARING	1	1						
9	3	129129-77240	BEARING	1	1						
10	2	129129-77250	STARTER	1	1						
11	3	X0280210230	NUT	1	1						
12	3	X0283270140	RETAINER	1	1						
13	3	X9491703371	SPRING, COIL	1	1						
14	3	129129-77390	CLUTCH ASSY	1	1						
17	3	129129-77400	SHAFT	1	1						
18	3	129129-77410	SPRING, COIL	1	1						
19	3	129129-77420	PINION, STARTER	1	1						
20	3	129129-77430	RING	1	1						
21	2	129129-77260	RETAINER	1	1						
22	2	129129-77270	PINION	1	1						
23	2	129129-77280	HOUSING	1	1						
24	2	129129-77290	FRAME	1	1						
25	2	129129-77300	HOLDER ASSY	1	1						
26	3	X9491730461	SPRING	4	4						
27	2	129129-77310	SWITCH ASSY	1	1						
28	2	129129-77320	BOLT	2	2						
29	2	129129-77330	BOLT	2	2						
30	2	129129-77340	SPRING	1	1						
31	2	129129-77350	O-RING	2	2						
32	2	129129-77362	COVER	1	1						
34	2	129129-77380	CAP	1	1						
35	1	26116-120252	BOLT, M12X 25 PLATED	2	2						
36	1	119006-77900	CONNECTOR, STARTER	1	1						

Fig.16. GENERATOR

Y00VB470
3TNE88-ENSR1, 2



(A)=3TNE88-ENSR1
(B)=3TNE88-ENSR2
(C)=

(D)=
(E)=
(F)=

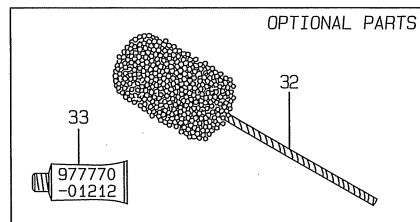
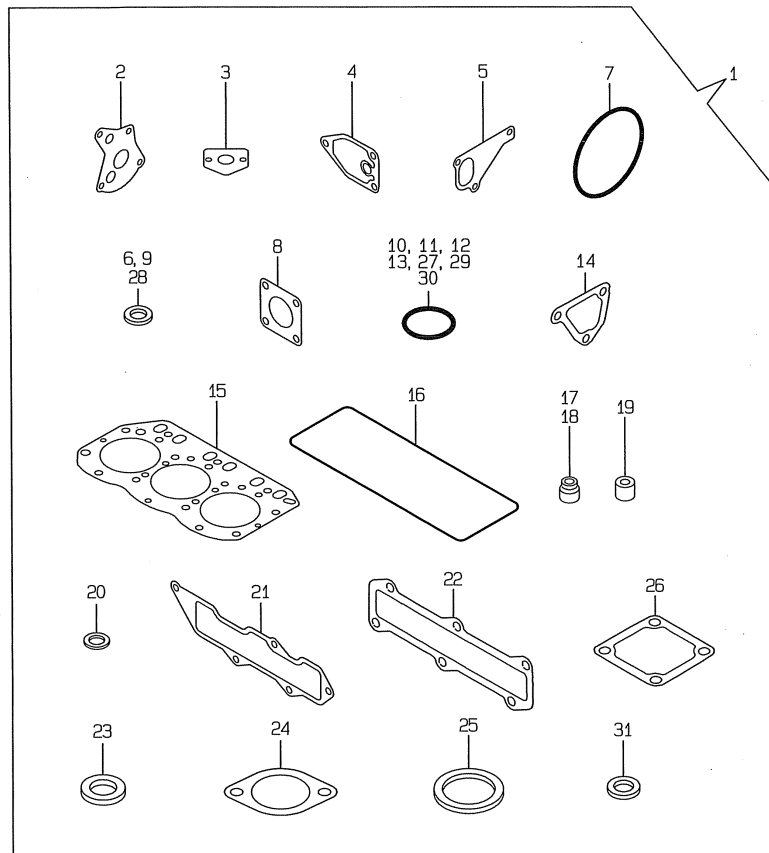
No.	Lev.	Parts No.	Description	Q'ty						I	R
				(A)	(B)	(C)	(D)	(E)	(F)		
1	1	129100-77320	ADJUSTER	1	1						
2	1	129423-77200	GENERATOR, 12V-40A	1	1						
3	2	X9490561001	NUT	1	1						
4	2	119620-77380	ROTOR ASSY	1	1						
5	3	119620-79240	BEARING, BALL	1	1						
6	3	119620-79250	COVER	1	1						
7	3	119620-79360	WASHER, THRUST	1	1						
8	2	119620-77421	FRAME ASSY, DRIVE	1	1						
9	3	119620-79200	BEARING, BALL	1	1						
10	3	119620-79210	PLATE, RETAINER	1	1						
11	3	119620-79220	SCREW	4	4						
12	3	119620-79230	STUD	2	2						
13	2	119620-77440	FRAME ASSY	1	1						
14	2	129240-79300	COVER	1	1						
15	2	119620-77461	PULLEY	1	1						
16	2	119620-77471	NUT	1	1						
17	2	129423-77710	REGULATOR ASSY	1	1						
18	2	119620-79260	HOLDER	1	1						
19	2	119620-79270	HOLDER, BRUSH	1	1						
20	3	119620-77480	BRUSH ASSY	2	2						
21	3	119620-79280	SPRING	2	2						
22	2	119620-79290	SCREW	1	1						
23	2	119620-79300	SCREW	1	1						
24	2	119620-79310	BOLT	3	3						
25	2	119620-79320	SCREW	2	2						
26	2	119620-79330	BOLT	2	2						
27	2	119620-79340	BUSH, INSULATION	1	1						
28	2	119620-79350	NUT	2	2						
29	2	119620-77490	COLLAR	1	1						
30	2	119620-79360	WASHER, THRUST	1	1						
31	1	26306-100002	NUT, M10	1	1						
32	1	129795-01900	STUD	1	1						
33	1	119810-77340	BOLT, ADJUSTER	1	1						
34	1	26106-080502	BOLT, M8X 50 PLATED	1	1						
35	1	119643-66900	DIODE	2	2						
36	1	119247-77100	RELAY, SAFETY	1	1						
37	1	119650-77910	RELAY ASSY, GLOW	1	1						
40	1	128300-77920	TIMER	1	1						
41	1	129211-77920	TIMER	1	1						

Fig.17. GASKET SET

(A)=3TNE88-ENSR1
 (B)=3TNE88-ENSR2
 (C)=

(D)=
 (E)=
 (F)=

Y00V8470
 3TNE88-ENSR1, 2



No.	Lev.	Parts No.	Description	Q'ty						I	R
				(A)	(B)	(C)	(D)	(E)	(F)		
1	1	729030-92800	GASKET SET	1	1						1
2	2	129150-32020	GASKET, PUMP	1	1						
3	2	129150-35041	GASKET	1	1						
4	2	129150-35111	GASKET	1	1						
5	2	129486-42021	GASKET, WATER PUMP	1	1						
6	2	22190-080002	WASHER, SEAL 6	7	7						
7	2	121850-51960	O-RING	1	1						
8	2	124701-11911	GASKET, SILENCER	1	1						
9	2	22190-100002	WASHER, SEAL 10	2	2						
10	2	24311-000160	O-RING, 1AP16.0	1	1						
11	2	24341-000240	O-RING, 1AS24.0	1	1						
12	2	24341-000250	O-RING, 1AS25.0	1	1						
13	2	24311-000320	O-RING, 1AP32.0	3	3						
14	2	124395-49840	GASKET	1	1						
15	2	129001-01340	GASKET, HEAD	1	1						
16	2	129001-11310	GASKET, BONNET	1	1						
17	2	121400-11340	SEAL, VALVE STEM	3	3						
18	2	124460-11340	SEAL, VALVE STEM	3	3						
19	2	119625-11872	PROTECTOR, NOZZLE	3	3						
20	2	119625-11880	SEAT, NOZZLE	3	3						
21	2	129001-12110	GASKET, MANIFOLD	1	1						
22	2	129001-13110	GASKET	1	1						
23	2	124465-44950	GASKET, 16	2	2						
24	2	129795-49551	GASKET	1	1						
25	2	129150-49811	GASKET, THERMOSTAT	1	1						
26	2	129150-77511	GASKET	1	1						
27	2	24311-000120	O-RING, 1AP12.0	3	3						
28	2	22190-120002	WASHER, SEAL 12	4	4						
29	2	119609-32040	O-RING, P16	2	2						
30	2	129486-42140	O-RING, G30	1	1						
31	2	129155-52050	GASKET	1	1						
32	1	129400-92430	HONE	1	1						1
33	1	977770-01212	GASKET, LIQUID	1	1						1

Remarks
 (1) REPAIR PART.

Parts No. Index

Parts No.	Fig. No.	Ref. No.
101304-59020	14	16
101720-55750	14	35
102103-55520	14	29
103854-39140	14	15
104200-55321	14	2
		25
104200-55330	14	3
		26
104200-55341	14	27
104200-55750	14	10
		36
105025-59530	14	23
110250-55610	14	30
114250-53080	13	8
114250-53120	13	12
114250-53130	13	13
114250-53140	13	14
114250-53210	13	15
114250-53400	13	16
119006-77900	15	36
119131-18320	6	5
119247-77100	16	36
119259-44570	10	37
119285-66610	12	124
119305-59120	13	46
119600-66720	12	89
119609-32040	2	11
		17
		29
119620-01750	3	3
119620-77380	16	4
119620-77421	16	8
119620-77440	16	13
119620-77461	16	15
119620-77471	16	16
119620-77480	16	20
119620-77490	16	29
119620-79200	16	9
119620-79210	16	10
119620-79220	16	11
119620-79230	16	12
119620-79240	16	5
119620-79250	16	6
119620-79260	16	18
119620-79270	16	19
119620-79280	16	21
119620-79290	16	22
119620-79300	16	23
119620-79310	16	24
119620-79320	16	25
119620-79330	16	26

Parts No.	Fig. No.	Ref. No.
119620-79340	16	27
119620-79350	16	28
119620-79360	16	7
		30
119625-11872	4	21
		17
		19
119625-11880	4	22
		17
		20
119625-11900	4	23
119643-66900	16	35
119650-77910	16	37
119653-77950	12	80
119654-66700	12	88
119660-61901	12	77
119802-11280	4	38
119810-77340	16	33
119840-59500	13	29
119840-59560	13	31
119840-59570	13	32
119865-21600	8	14
119908-61501	12	32
120130-11860	4	7
120323-61470	12	86
121023-01550	2	23
121111-21501	8	11
121250-44590	10	38
121250-44901	10	1
121250-59550	13	28
121252-39450	9	33
121254-55510	14	28
121256-44600	10	55
121257-55720	14	33
121257-55731	14	34
121400-11340	4	18
		17
		17
121450-01560	2	5
121450-42450	10	31
121520-34810	9	17
121550-23200	8	27
121550-49111	10	30
121850-21680	8	10
121850-51960	2	10
		17
		7
121850-55710	14	32
121850-55800	14	24
121855-12060	5	8
122710-51090	11	9
124066-59100	13	30
		50
124160-01751	2	6

Parts No.	Fig. No.	Ref. No.
124160-01751	4	44
124160-01910	1	4
124160-11360	4	43
124160-39140	9	28
124240-01871	2	7
124395-49840	10	19
		17
		14
124450-44510	10	48
124450-44530	10	50
124450-44550	10	53
124450-44560	10	51
124460-11340	4	19
		17
		18
124465-44950	10	32
		56
		17
		23
124550-51350	11	31
124550-51370	11	32
124550-59820	9	35
124550-59830	9	34
124701-11911	6	7
		17
		8
124766-59050	13	44
		14
		19
		22
124950-51190	11	16
128300-77920	16	40
129001-01250	1	10
129001-01340	1	30
		17
		15
129001-02930	1	26
129001-11310	4	47
		17
		16
129001-11340	4	48
129001-11351	4	45
129001-12110	5	1
		17
		21
129001-12120	5	2
129001-13100	6	1
129001-13110	6	2
		17
		22
129001-21100	8	1
129001-22070	8	15
129001-22500	8	17
129001-22930	8	30
129001-22950	8	32
129001-32001	9	1
129001-35300	9	24
129001-42003	10	2
129001-42040	10	21

Parts No.	Fig. No.	Ref. No.
129001-91841	2	19
129030-12550	5	9
129030-12560	5	10
129030-21590	8	12
129051-11700	4	4
129052-55620	14	1
129052-59810	13	52
129052-59820	13	56
129052-59830	13	60
129052-61050	12	4
129052-61060	12	5
129052-61070	12	6
129052-61390	12	31
129100-01580	3	1
		14
		8
		2
129100-01640	3	15
129100-01730	3	6
129100-01760	3	7
129100-11100	4	13
129100-11110	4	14
129100-11240	4	24
129100-11650	4	32
129100-23910	8	26
129100-25061	7	15
129100-35301	9	19
129100-51560	11	50
129100-51570	11	49
129100-52100	11	99
129100-55650	14	4
129100-55670	14	6
129100-55680	14	7
129100-55690	14	8
129100-55700	14	9
129100-59951	13	34
129100-61400	12	17
129100-61440	12	83
129100-61650	12	87
129100-77320	16	1
129120-44741	10	27
129120-77501	5	5
129129-14580	7	3
129129-77010	15	1
129129-77210	15	6
129129-77220	15	7
129129-77230	15	8
129129-77240	15	9
129129-77250	15	10
129129-77260	15	21
129129-77270	15	22

Parts No. Index

Parts No.	Fig. No.	Ref. No.
129129-77280	15	23
129129-77290	15	24
129129-77300	15	25
129129-77310	15	27
129129-77320	15	28
129129-77330	15	29
129129-77340	15	30
129129-77350	15	31
129129-77362	15	32
129129-77380	15	34
129129-77390	15	14
129129-77400	15	17
129129-77410	15	18
129129-77420	15	19
129129-77430	15	20
129129-77460	15	3
129132-44530	10	35
129150-01200	1	29
129150-02020	1	6
129150-02450	7	4
129150-02870	1	34
129150-02930	1	23
129150-02940	1	31
129150-03100	2	9
129150-11230	4	34
129150-11280	4	28
129150-11290	4	29
129150-11370	4	20
129150-11750	4	37
129150-11810	4	9
129150-14101	7	6
129150-14200	7	1
129150-14400	7	2
129150-21200	8	4
129150-23600	8	28
129150-23610	8	36
129150-25101	7	9
129150-25301	7	14
129150-25920	7	12
129150-25931	7	13
129150-32020	9	14
	17	2
129150-35041	9	18
	17	3
129150-35101	9	21
129150-35111	9	22
	17	4
129150-35151	9	23
129150-35350	9	25
129150-39450	9	29

Parts No.	Fig. No.	Ref. No.
129150-49080	10	43
129150-49100	10	42
129150-49811	10	18
	17	25
129150-59131	13	49
129150-59580	13	33
129150-77511	5	6
	17	26
129155-11241	4	25
129155-11260	4	26
129155-11270	4	27
129155-42350	10	26
129155-49800	10	17
129155-51020	11	5
129155-51050	11	7
129155-51140	11	13
129155-51180	11	15
129155-51200	11	17
129155-51270	11	24
129155-51280	11	25
	12	2
129155-51380	11	34
129155-51390	11	35
129155-51400	11	36
129155-51410	11	37
129155-51420	11	38
129155-51450	11	39
129155-51500	11	44
129155-51521	11	45
129155-51530	11	46
129155-51540	11	47
129155-51550	11	48
129155-51570	11	51
129155-51580	11	52
129155-51591	11	53
129155-51600	11	54
129155-51701	11	73
129155-51711	11	74
129155-51751	11	75
129155-51760	11	76
129155-51790	11	77
129155-51930	11	79
129155-51940	11	80
129155-52050	11	98
	17	31
129155-61120	12	7
129155-61130	12	8
129155-61140	12	9
129155-61341	12	14
129155-61350	12	15

Parts No.	Fig. No.	Ref. No.
129155-61360	12	16
129155-61430	12	20
129155-61450	12	24
129155-61460	12	25
129155-61480	12	26
129155-61830	12	76
129155-61950	12	78
129156-51910	11	78
129171-51040	11	6
129202-22300	8	21
129208-51060	11	8
129208-54500	11	91
129209-51300	11	26
129209-53000	13	4
129209-53100	13	3
129209-61370	12	59
129209-61930	12	81
129209-61940	12	121
129209-61970	12	84
129210-59040	14	18
129210-59130	13	43
129210-59150	14	21
129211-77920	16	41
129240-79300	16	14
129350-49560	10	15
129400-01520	2	4
129400-92430	17	32
129420-44500	10	33
129420-44550	10	36
129423-77200	16	2
129423-77710	16	17
129430-44560	10	54
129486-01670	3	18
129486-42021	10	24
	17	5
129486-42140	10	22
	17	30
129486-61201	12	10
129486-61540	12	51
129489-61700	12	79
129506-51100	11	10
129555-59510	14	20
129573-51330	11	29
129573-51340	11	30
129573-51370	11	33
129612-01600	3	2
129795-01780	3	17
129795-01800	2	3
129795-01900	16	32
129795-01950	2	8

Parts No.	Fig. No.	Ref. No.
129795-02411	1	13
129795-11120	4	15
129795-11180	4	16
129795-21661	8	9
129795-49551	10	16
	17	24
129900-07900	4	2
158552-61900	12	67 -1
171031-11741	2	26
171051-01921	1	5
171301-01640	3	8
171340-21650	8	8
171350-03090	4	1
171353-44760	10	28
171420-34820	9	16
171420-49010	10	40
171420-49020	10	41
174307-51170	11	14
174307-51700	12	33
22117-040000	12	60
22190-060003	12	61
22190-080002	2	21
		22
	9	36
	17	6
22190-100002	9	38
	12	62
	17	9
22190-120002	12	63
	13	42
	14	17
	17	28
22190-160002	11	90
22217-050000	11	88
22217-060000	11	81
22217-120000	11	93
22252-000260	8	22
22287-120000	12	64
22351-040010	8	7
22351-050010	11	82
22351-060012	4	42
22372-040000	12	65
22512-070140	7	7
	8	5
23010-038000	10	47
23061-070230	10	52
23414-120016	12	85
23418-060000	14	37
23876-010000	1	9

Parts No. Index

Parts No.	Fig. No.	Ref. No.
23876-030000	10	13
23887-100002	12	66
24101-063034	11	83
24311-000120	4	50
	17	27
24311-000150	12	123
24311-000160	9	26
	14	11
	17	10
24311-000320	2	12
		27
	4	49
	17	13
24311-240100	14	12
		38
24321-000650	14	13
24341-000160	11	84
24341-000240	2	24
	17	11
24341-000250	3	10
	17	12
24341-000280	12	67
25132-003800	10	25
26014-060122	10	39
26014-080702	14	14
26022-050122	11	85
26022-060162	11	86
26106-060102	12	68
		69
		70
26106-060142	12	71
26106-060162	2	25
26106-060202	12	72
26106-060352	10	29
26106-080122	2	13
26106-080142	4	3
	7	8
26106-080162	2	14
		15
	3	11
	10	23
26106-080202	2	16
	5	3
	9	27
	10	20
26106-080252	3	12
	4	39
26106-080352	5	7
	9	20
26106-080402	6	4

Parts No.	Fig. No.	Ref. No.
26106-080452	2	17
	3	13
		13 -1
	7	16
26106-080502	3	20
	4	40
	5	4
	16	34
26106-080552	2	18
26106-080602	10	14
26116-050302	11	87
26116-120252	15	35
26206-100252	3	4
26206-100302	3	5
26216-060202	4	11
26216-080402	6	6
26306-080002	2	20
	6	3
26306-100002	16	31
26366-060002	4	41
26366-080002	12	82
26450-060252	9	15
26716-060002	11	89
26716-120002	11	94
26736-120002	12	74
26756-060002	12	73
26776-120002	12	75
27241-120000	1	11
27241-300000	1	12
27241-400000	4	12
27310-080001	4	17
719810-01500	2	1
729001-01560	1	1
729030-92800	17	1
729031-51450	11	1
729209-51480	11	2
729209-53100	13	2
729209-53200	13	1
729402-11650	4	33
729402-23100	8	23
977770-01212	2	28
	3	19
	17	33
X0280210230	15	11
X0283060061	15	2
X0283270140	15	12
X9490561001	16	3
X9490561370	15	4
X9491200240	15	5
X9491703371	15	13

Parts No.	Fig. No.	Ref. No.
X9491730461	15	26

Parts No.	Fig. No.	Ref. No.
-----------	----------	----------