

0CV10-M73900EN

PREFACE

1. This Parts Catalog carries all parts incorporated in YANMAR Model 3TNE88-EPG engine manufactured since January, 2000.
2. Each illustration corresponds to the parts list on the following page.
3. When ordering parts, clearly write down the engine model and serial number, as well as the name and number of each part in your order sheet. This will help insure reliable delivery of the parts you have ordered.

Directions for the Parts Catalog.

1. This Parts Catalog shows both standard and optional parts.
2. Parts may change without prior notice.
3. The following is an example of the Parts Catalog format.

REF.	LEV.	PARTS NO.	DESCRIPTION	Q'TY						I	R
				(A)	(B)	(C)	(D)	(E)	(F)		
1	1	729595-51390	FUEL INJECTION PUMP	1	1	1	1	1			1
1-1	1	729595-51391	FUEL INJECTION PUMP	1	1	1	1	1		N	1
		(A=E00185) (B=E00200)									
3	2	26022-060162	SCREW M 6X 16	9	9	9	9	9			
3-1	2	26022-060162	SCREW M 6X 16	4	4	4	4	4		K	
		(A=E00156) (B=E00156) (C=E00156) (D=E00156) (E=E00156)									
4	2	129470-51040	CAMSHAFT	1	1	1	1	1			
5	2	122710-51050	BEARING, ROLLER	2	2	2	2	2			
6	2	129470-51060	RETAINER	1	1	1	1	1			

Remarks
(1) BOOST COMPEMSATOR TYPE. OPTIONAL PART, TO E00155,(4JH-DT, 4JH-DTZ

① Ref. No.

The Ref. No. listed may not be in accordance with the illustration Ref. No.

(Ex.) Illustration No.

List Ref No.

1

1

(Before change)

1-1

(After change)

For interchangeable symbols N, R and K, illustrations for new parts may be abbreviated.

② Lev. (Level)

Level indication

The numbers below indicate the level of relativity towards the main part.

1 ----- Main parts (Assembly parts)

2 ----- Sub component included in " 1 ".

3 ----- Sub component included in " 2 ".

Note) Parts that are not for sale are partially illustrated but not listed.

③ Interchangeability Symbol

When a part change takes place, one of the following interchangeability symbols is indicated beside the part.

Symbol	Interchangeability	Contents note
N	Old $\begin{matrix} \leftarrow \text{Yes} \\ \text{No} \rightarrow \end{matrix}$ New	New Part is interchangeable for Old Part but Old Part is not interchangeable for New Part.
Q	Old $\begin{matrix} \leftarrow \text{No} \\ \text{Yes} \rightarrow \end{matrix}$ New	New Part is not interchangeable for Old Part but Old Part is interchangeable for New Part.
R	Old $\begin{matrix} \leftarrow \text{Yes} \\ \text{Yes} \rightarrow \end{matrix}$ New	New/ Old Parts are both interchangeable.
S	Old $\begin{matrix} \leftarrow \text{No} \\ \text{No} \rightarrow \end{matrix}$ New	New/ Old Parts are both not interchangeable.
W		Part newly added.
Z		Part discontinued.
F		Not interchangeable by a single part but interchangeable together with related parts.
K		Changes only for used parts quantities.

④ Effective Machine No.

When a part changes, the effective Machine No. will be indicated in the (A)-(F) column.

Product Symbol	Product No.	Product Symbol	Product No.
C	Clutch No. Compressor No.	F	Machine No. (Agricultural Equip.)
D	Drive No.	M	Machine No.
E	Engine No.		

Note 1) A date may follow the symbol. (Ex.) 1996.01

Note 2) "XXXXX" and "ZZZZZ" are for parts that could not be predicted or for engine models that could not be identified.

Note 3) (A=E00185) is the E (Engine Serial Number) for the column (A) model (in this case 4JH-DT) after the parts design change.

⑤ Remarks

Figures or alphabets (symbols) are entered in the remarks column.

The comments (remarks) on parts that are indicated at the bottom of the illustration are the same symbols as those stated above.

Contents

Fig. No. Fig. Name

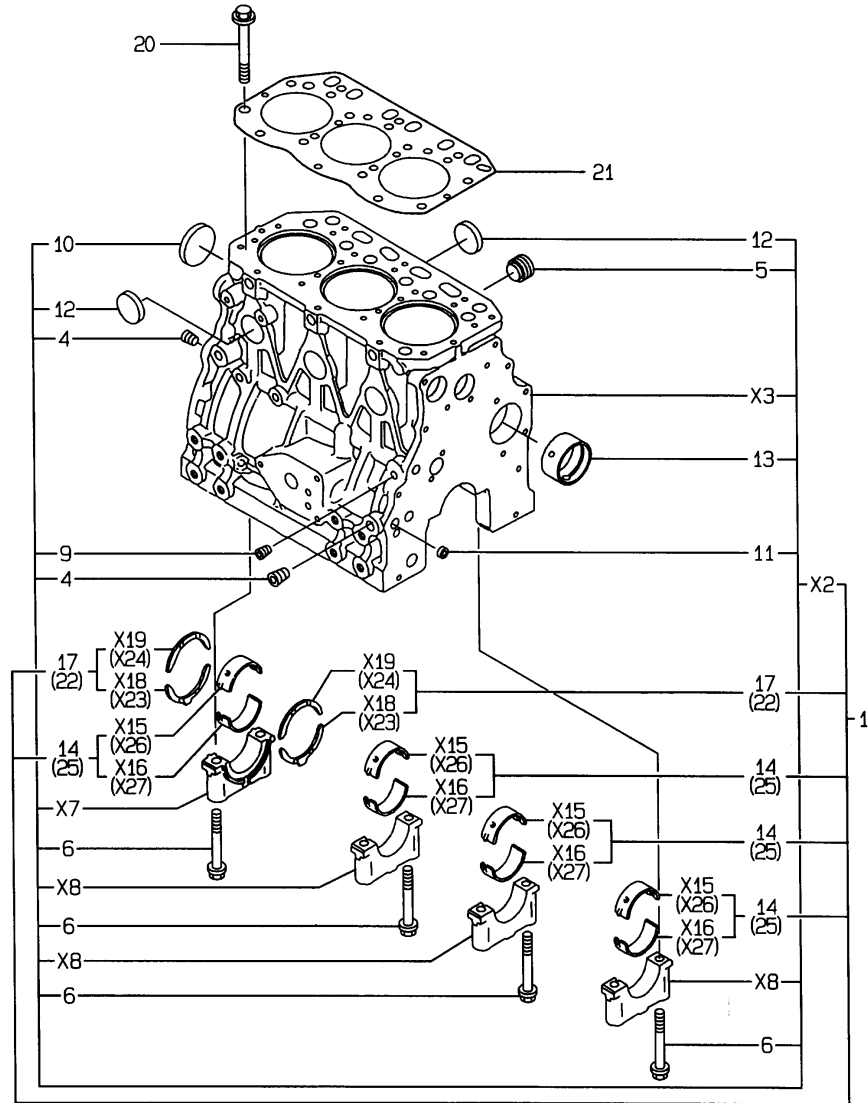
Fig. No. Fig. Name

3TNE88-EPG

1. CYLINDER BLOCK
2. GEAR HOUSING
3. FLYWHEEL HOUSING & OIL SUMP
4. CYLINDER HEAD & BONNET
5. SUCTION MANIFOLD
6. EXHAUST MANIFOLD
7. CAMSHAFT & DRIVING GEAR
8. CRANKSHAFT & PISTON
9. LUB.OIL SYSTEM
10. COOLING WATER SYSTEM
11. RADIATOR
12. FUEL INJECTION PUMP
13. GOVERNOR
14. FUEL INJECTION VALVE
15. FUEL LINE
16. STARTING MOTOR
17. GENERATOR
18. GASKET SET

Fig.1. CYLINDER BLOCK

1. CYLINDER BLOCK



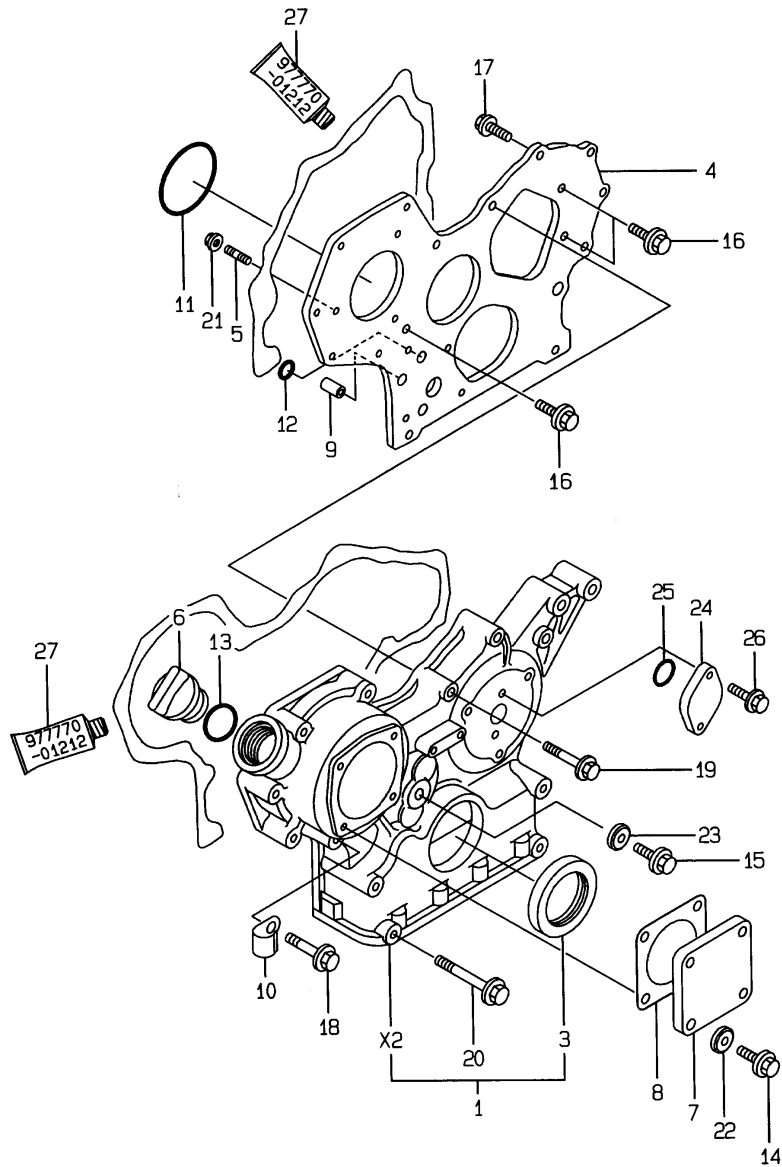
No.	Lev.	Parts No.	Description	Q'ty						I	R
				(A)	(B)	(C)	(D)	(E)	(F)		
1	1	729001-01560	BLOCK ASSY, CYLINDER	1							
4	3	124160-01910	PLUG, PT1/4	3							
5	3	171051-01921	PLUG, NPTF1	1							
6	3	129150-02020	BOLT, METAL CAP	8							
9	3	23876-010000	PLUG, R01	1							
10	3	129001-01250	PLUG, 50	1							
11	3	27241-120000	PLUG, 12	2							
12	3	27241-300000	PLUG 30	6							
13	3	129795-02411	BUSH, CAMSHAFT	1							
14	2	129001-02800	BEARING, MAIN	4							
17	2	129150-02930	BEARING, THRUST	2							
20	1	129150-01200	BOLT, HEAD	14							
21	1	129001-01340	GASKET, HEAD	1							
22	1	129150-02940	BEARING, THRUST 0.25	2							1
25	1	129150-02870	BEARING, 0.25 US	4							2

Remarks

- (1) OVER-SIZE(O.S=0.25)PART.
- (2) UNDER-SIZE(U.S=0.25)PART.

Fig.2. GEAR HOUSING

2.GEAR HOUSING



(A)=3TNE88-EPG

(B)=

(C)=

(D)=

(E)=

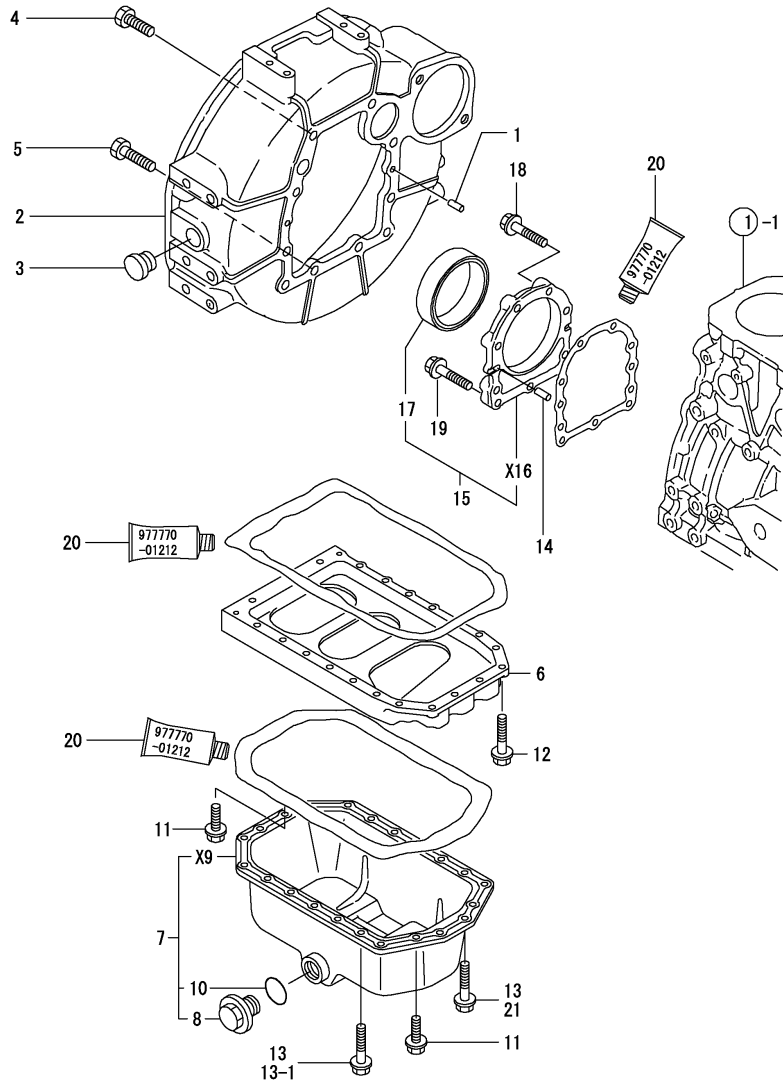
(F)=

No.	Lev.	Parts No.	Description	Q'ty						I	R
				(A)	(B)	(C)	(D)	(E)	(F)		
1	1	719810-01500	CASE ASSY, GEAR	1							
3	2	129795-01800	SEAL, OIL	1							
4	1	129400-01520	FLANGE, GEAR CASE	1							
5	1	121450-01560	STUD, M8X22	3							
6	1	124160-01751	COVER, FILLER	1							
7	1	124240-01871	COVER	1							
8	1	124240-01883	GASKET	1							
9	1	129795-01950	PIPE, KNOCK L=18	2							
10	1	129150-03100	RETAINER, PIPE	1							
11	1	121850-51960	O-RING	1							
12	1	24311-000160	O-RING, 1AP16.0	2							
13	1	24311-000320	O-RING, 1AP32.0	1							
14	1	26106-080122	BOLT, M8X 12 PLATED	4							
15	1	26106-080162	BOLT, M8X 16 PLATED	1							
16	1	26106-080162	BOLT, M8X 16 PLATED	3							
17	1	26106-080202	BOLT, M8X 20 PLATED	2							
18	1	26106-080452	BOLT, M8X 45 PLATED	6							
19	1	26106-080552	BOLT, M8X 55 PLATED	3							
20	1	129001-91841	BOLT, M8X85	4							
21	1	26366-080002	NUT, M8	3							
22	1	22190-080002	WASHER, SEAL 6	4							
23	1	22190-080002	WASHER, SEAL 6	1							
24	1	121023-01550	COVER	1							
25	1	24341-000240	O-RING, 1AS24.0	1							
26	1	26106-060162	BOLT, M6X 16 PLATED	2							
27	1	977770-01212	GASKET, LIQUID	1							1

Remarks

(1) OPTIONAL PART.

Fig.3. FLYWHEEL HOUSING & OIL SUMP



X-MARK PARTS: NOT SOLD SEPARATELY.

Remarks
(1) OPTIONAL PART.

(A)=3TNE88-EPG
(B)=
(C)=

(D)=
(E)=
(F)=

No.	Lev.	Parts No.	Description	Q'ty						I	R
				(A)	(B)	(C)	(D)	(E)	(F)		
1	1	129100-01580	PIN, M8X16	2							
2	1	171420-01600	HOUSING, FLYWHEEL	1							
3	1	119620-01750	CAP	1							
4	1	26206-100252	BOLT, M10X 25 PLATED	6							
5	1	26206-100302	BOLT, M10X 30 PLATED	4							
6	1	129100-01730	SPACER, OIL SUMP	1							
7	1	129100-01760	SUMP ASSY, OIL	1							
8	2	171301-01640	PLUG, 22	1							
10	2	24341-000250	O-RING, 1AS25.0	1							
11	1	26106-080162	BOLT, M8X 16 PLATED	4							
12	1	26106-080252	BOLT, M8X 25 PLATED	2							
13	1	26106-080452	BOLT, M8X 45 PLATED	20							
13-1	1	26106-080452	BOLT, M8X 45 PLATED	16							K
(A=FROM 1ST)											
14	1	129100-01580	PIN, M8X16	2							
15	1	129100-01640	CASE ASSY, OIL SEAL	1							
17	2	129795-01780	SEAL, OIL	1							
18	1	129486-01670	BOLT, M8X30	6							
19	1	26106-080352	BOLT, M8X 35 PLATED	3							
20	1	977770-01212	GASKET, LIQUID	1							1
21	1	26106-080502	BOLT, M8X 50 PLATED	4							W
(A=FROM 1ST)											

Fig.4. CYLINDER HEAD & BONNET

(A)=3TNE88-EPG

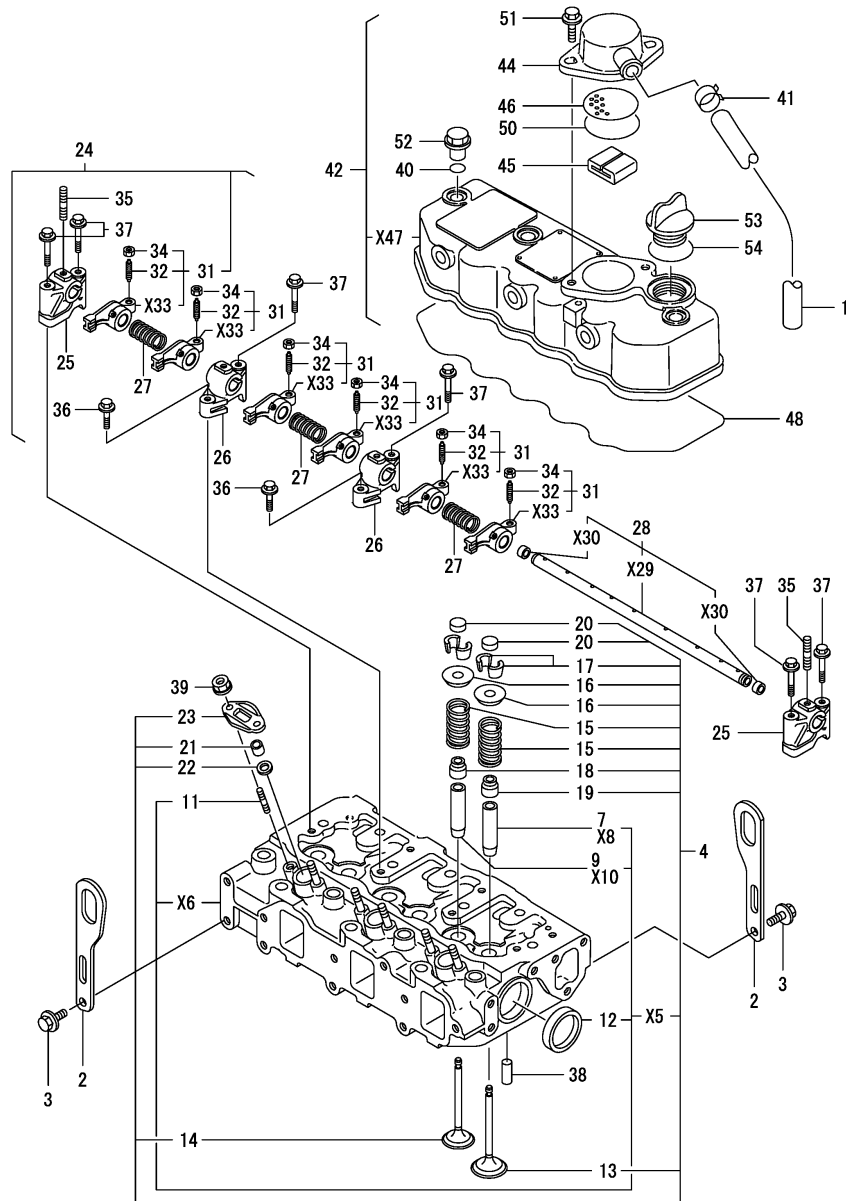
(B)=

(C)=

(D)=

(E)=

(F)=



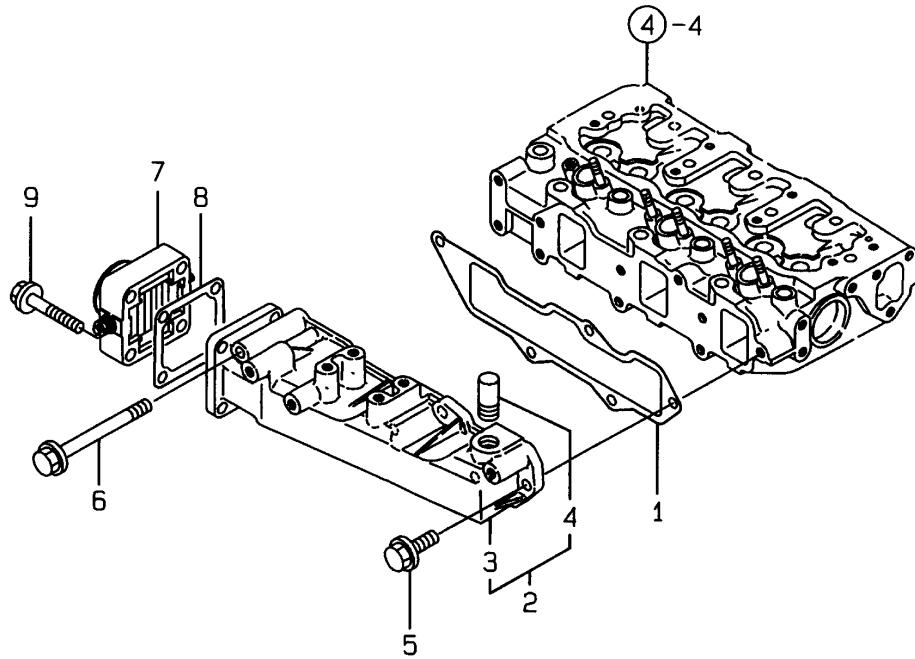
x-MARK PARTS: NOT SOLD SEPARATELY.

No.	Lev.	Parts No.	Description	Q'ty						I	R
				(A)	(B)	(C)	(D)	(E)	(F)		
1	1	129219-03100	PIPE , BREATHER	1							
2	1	124736-07900	LIFTER	2							
3	1	26106-080142	BOLT, M8X 14 PLATED	4							
4	1	129001-11700	HEAD ASSY, CYLINDER	1							
7	3	120130-11860	GUIDE, VALVE	3							1
9	3	129150-11810	GUIDE, VALVE	3							1
11	3	26216-060202	STUD, M6X 20	6							
12	3	27241-400000	PLUG, 40	2							
13	2	129100-11100	VALVE, INTAKE	3							
14	2	129100-11110	VALVE, EXHAUST	3							
15	2	129795-11120	SPRING, VALVE	6							
16	2	129795-11180	RETAINER, SPRING	6							
17	2	27310-080001	COTTER, 8	6							
18	2	121400-11340	SEAL, VALVE STEM	3							
19	2	124460-11340	SEAL, VALVE STEM	3							
20	2	129150-11370	CAP, VALVE	6							
21	2	119625-11870	PROTECTOR, NOZZLE	3							
22	2	119625-11880	SEAT, NOZZLE	3							
23	2	119625-11900	RETAINER, NOZZLE	3							
24	1	129100-11240	SHAFT ASSY, ROCKER	1							
25	2	129155-11260	SUPPORT, ROCKER ARM	2							
26	2	129155-11270	SUPPORT, ROCKER ARM	2							
27	2	129150-11280	SPRING	3							
28	2	129150-11290	SHAFT, ROCKER ARM	1							
31	2	129100-11650	ARM, ROCKER	6							
32	3	129150-11230	SCREW, VALVE ADJUST	6							
34	3	129150-11750	NUT, M8	6							
35	2	26226-080182	STUD, M8X 18	3							
36	1	26106-080252	BOLT, M8X 25 PLATED	2							
37	1	26106-080502	BOLT, M8X 50 PLATED	6							
38	1	22351-060012	PIN, SPRING 6.0X12	2							
39	1	26366-060002	NUT, M6	6							
40	1	24311-000120	O-RING, 1AP12.0	3							
41	1	129410-03990	CLIP	2							
42	1	729132-11521	BONNET ASSY, HEAD	1							
44	2	129150-03020	COVER, BREATHER	1							
45	2	129150-03070	BAFFLE, BREATHER	1							
46	2	129150-03080	PLATE, BAFFLE	1							
48	2	129150-11310	GASKET, BONNET	1							
50	2	24341-000500	O-RING, 1AS50.0	1							
51	2	26106-080162	BOLT, M8X 16 PLATED	2							
52	1	124160-11360	KNOB	3							
53	1	124160-01751	COVER, FILLER	1							
54	1	24311-000320	O-RING, 1AP32.0	1							

Remarks
(1) REPAIR PART.

Fig.5. SUCTION MANIFOLD

5.SUCTION MANIFOLD



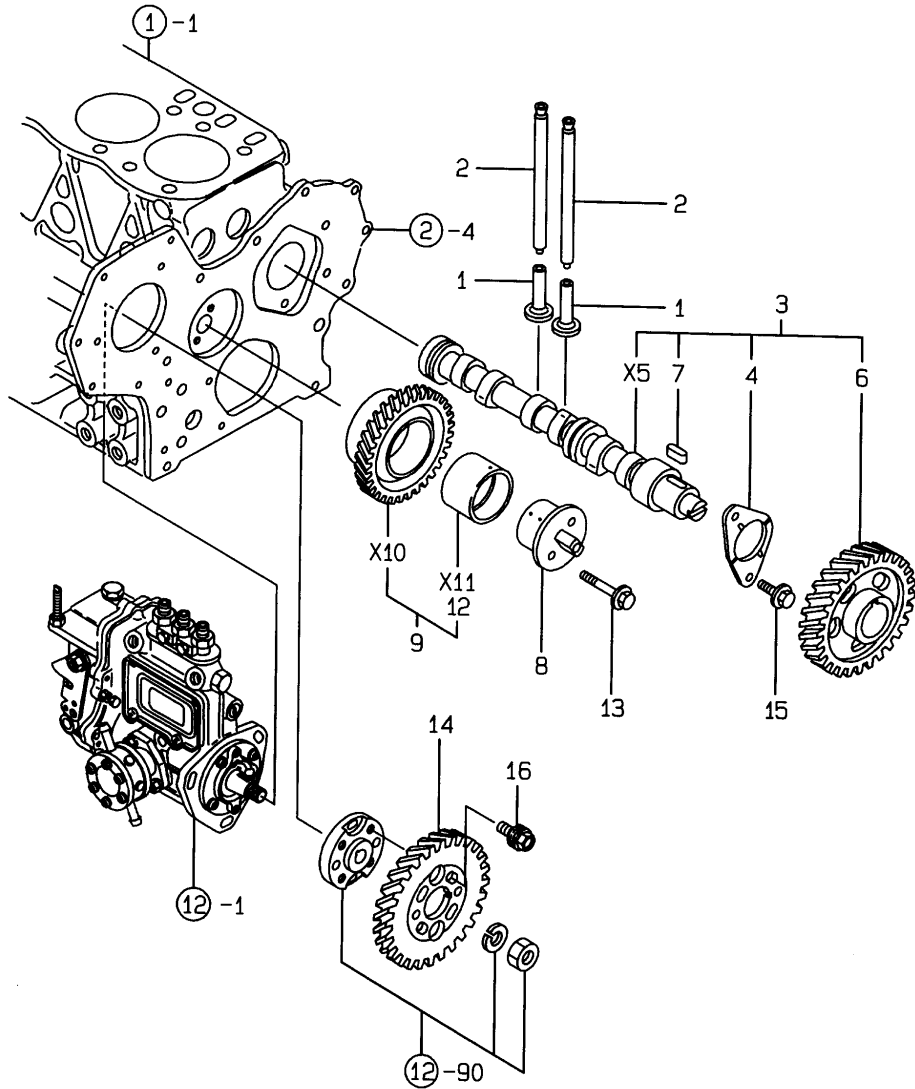
(A)=3TNE88-EPG
(B)=
(C)=

(D)=
(E)=
(F)=

No.	Lev.	Parts No.	Description	Q'ty						I	R
				(A)	(B)	(C)	(D)	(E)	(F)		
1	1	129001-12110	GASKET, MANIFOLD	1							
2	1	129219-12700	MANIFOLD ASSY,INTAKE	1							
3	2	129219-12100	MANIFOLD, AIR INTAKE	1							
4	2	104407-44480	JOINT	1							
5	1	26106-080202	BOLT, M8X 20 PLATED	4							
6	1	26106-080802	BOLT, M8X 80 PLATED	1							
7	1	129120-77501	HEATER	1							
8	1	129150-77511	GASKET	1							
9	1	26106-080352	BOLT, M8X 35 PLATED	4							

Fig.7. CAMSHAFT & DRIVING GEAR

7. CAMSHAFT & DRIVING GEAR



(A)=3TNE88-EPG

(B)=

(C)=

(D)=

(E)=

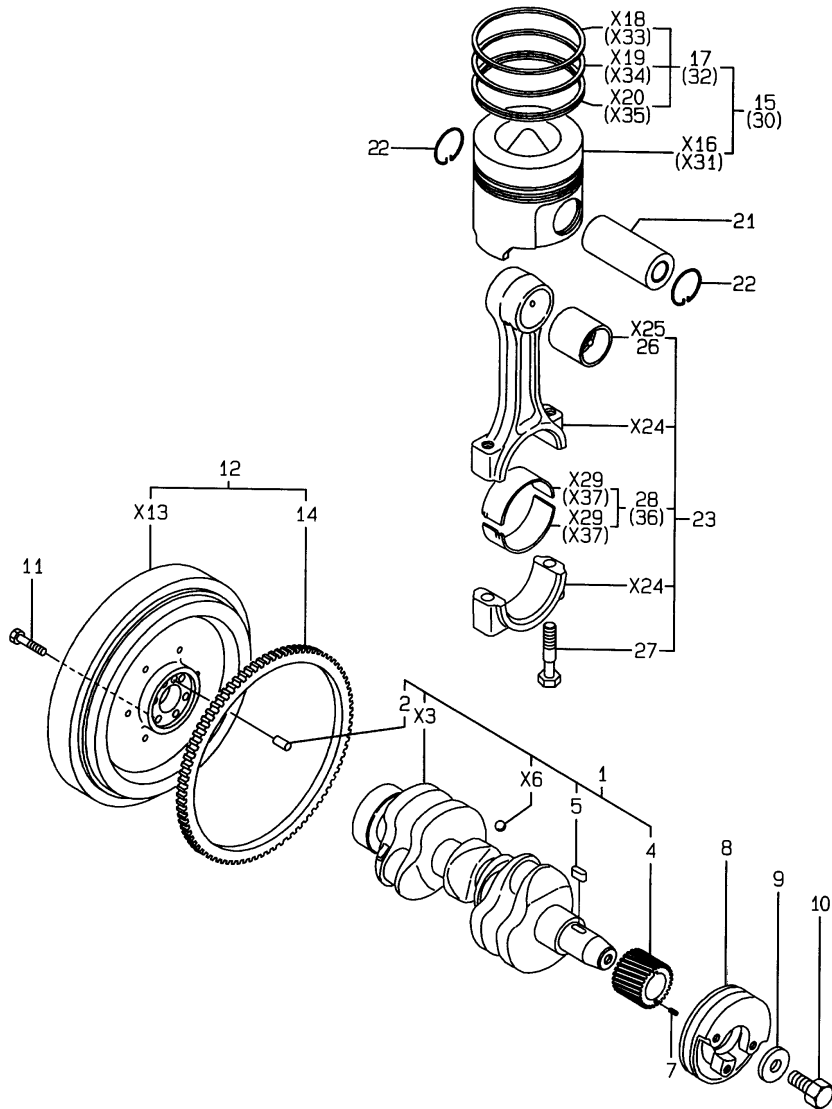
(F)=

No.	Lev.	Parts No.	Description	Q'ty						I	R
				(A)	(B)	(C)	(D)	(E)	(F)		
1	1	129150-14200	TAPPET	6							
2	1	129150-14400	ROD, PUSH L=178	6							
3	1	129129-14580	CAMSHAFT ASSY	1							
4	2	129150-02450	BEARING, THRUST	1							
6	2	129150-14101	GEAR, CAMSHAFT	1							
7	2	22512-070140	KEY, 7X 14	1							
8	1	129100-25061	SHAFT, IDLE	1							
9	1	129150-25101	GEAR ASSY, IDLE	1							
12	2	129150-25920	BUSH, IDLE GEAR	1							1
13	1	26106-080452	BOLT, M8X 45 PLATED	2							
14	1	129150-25931	GEAR, PUMP	1							
15	1	26106-080142	BOLT, M8X 14 PLATED	2							
16	1	129150-25301	BOLT	4							

Remarks
(1) REPAIR PART.

Fig.8. CRANKSHAFT & PISTON

8. CRANKSHAFT & PISTON



(A)=3TNE88-EPG

(B)=

(C)=

(D)=

(E)=

(F)=

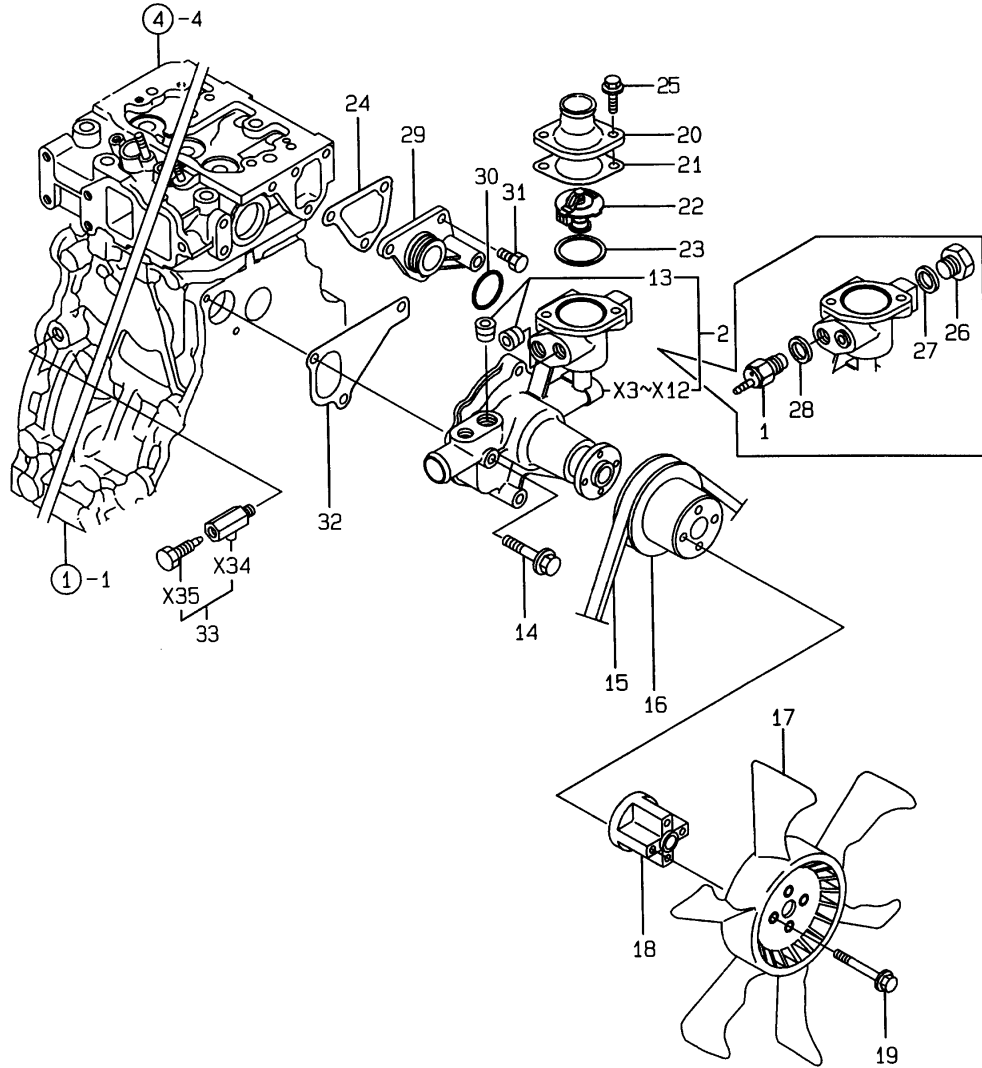
No.	Lev.	Parts No.	Description	Q'ty						I	R
				(A)	(B)	(C)	(D)	(E)	(F)		
1	1	129001-21000	CRANKSHAFT ASSY	1							
2	2	129100-01580	PIN, M8X16	1							
4	2	129150-21200	GEAR, CRANKSHAFT	1							
5	2	22512-070140	KEY, 7X 14	1							
7	1	22351-040010	PIN, SPRING 4.0X10	1							
8	1	129150-21650	V-PULLEY	1							
9	1	129795-21661	WASHER	1							
10	1	121850-21680	BOLT	1							
11	1	121111-21501	BOLT, FLYWHEEL	6							
12	1	171340-21590	FLYWHEEL ASSY	1							
14	2	124550-21600	GEAR, RING	1							
15	1	129001-22081	PISTON ASSY	3							
17	2	129001-22500	RING SET, PISTON	3							
21	1	129202-22300	PIN, PISTON D26 L70	3							
22	1	22252-000260	RING, 26	6							
23	1	729402-23100	ROD ASSY, CONNECTING	3							
26	2	129100-23910	BEARING, PISTON PIN	3							1
27	2	121550-23200	BOLT, CONNECTING ROD	6							
28	2	129150-23600	BEARING, CRANK PIN	3							
30	1	129001-22901	PISTON ASSY, 0.25 OS	3							2
32	2	129001-22950	RING SET, 0.25 OS	3							2
36	1	129150-23610	BEARING, 0.25 US	3							3

Remarks

- (1) REPAIR PART.
- (2) OVER-SIZE(O.S=0.25)PART.
- (3) UNDER-SIZE(U.S=0.25)PART.

Fig.10. COOLING WATER SYSTEM

10.COOLING WATER SYSTEM



(A)=3TNE88-EPG

(B)=

(C)=

(D)=

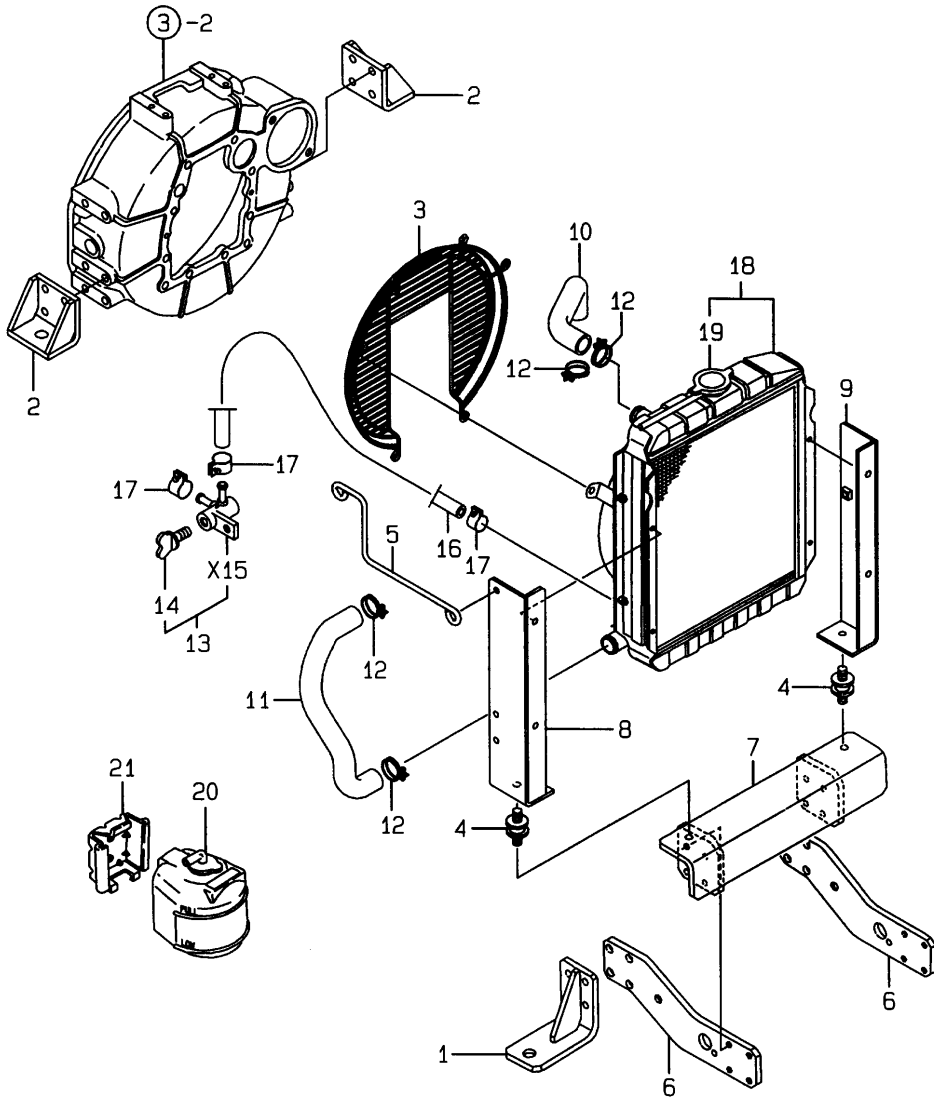
(E)=

(F)=

No.	Lev.	Parts No.	Description	Q'ty						I	R
				(A)	(B)	(C)	(D)	(E)	(F)		
1	1	121250-44901	SWITCH, 110	1							
2	1	129001-42003	PUMP ASSY, WATER	1							
13	2	23876-030000	PLUG, R03	2							
14	1	26106-080602	BOLT, M8X 60 PLATED	3							
15	1	25132-003800	V-BELT, A38	1							
16	1	129155-42350	V-PULLEY	1							
17	1	171340-44740	FAN, COOLING D335XNF	1							
18	1	171353-44760	SPACER, FAN	1							
19	1	26106-060352	BOLT, M6X 35 PLATED	4							
20	1	129350-49560	COVER, THERMOSTAT	1							
21	1	129795-49551	GASKET	1							
22	1	129155-49800	THERMOSTAT, 71	1							
23	1	129150-49811	GASKET, THERMOSTAT	1							
24	1	124395-49840	GASKET	1							
25	1	26106-080202	BOLT, M8X 20 PLATED	2							
26	1	121450-42450	PLUG, M16	1							
27	1	124465-44950	GASKET, 16	1							
28	1	124465-44950	GASKET, 16	1							
29	1	129001-42040	JOINT	1							
30	1	129486-42140	O-RING, G30	1							
31	1	26106-080162	BOLT, M8X 16 PLATED	3							
32	1	129486-42021	GASKET, WATER PUMP	1							
33	1	119620-49290	COCK ASSY, 1/4	1							

Fig.11. RADIATOR

11. RADIATOR



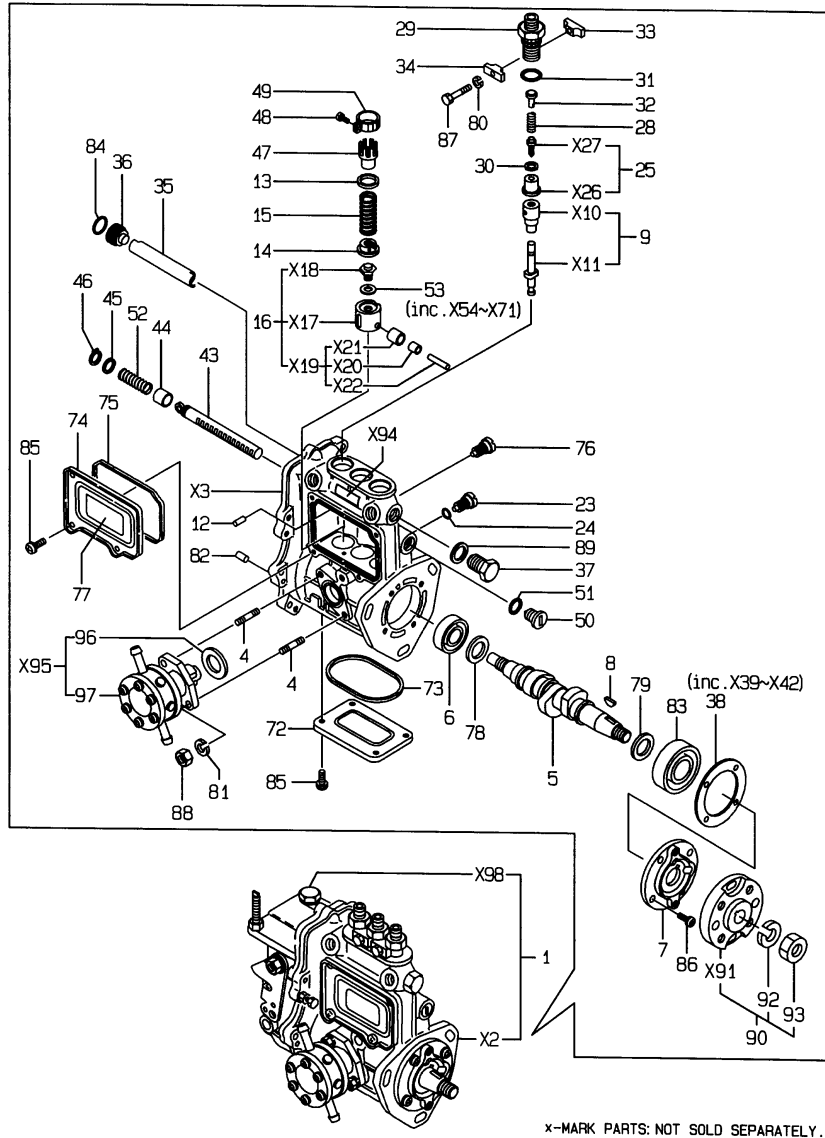
(A)=3TNE88-EPG
(B)=
(C)=

(D)=
(E)=
(F)=

No.	Lev.	Parts No.	Description	Qty						I	R
				(A)	(B)	(C)	(D)	(E)	(F)		
1	1	129188-08100	FOOT	2							
2	1	119888-08110	FOOT	2							
3	1	129120-44560	PROTECTOR, FAN	1							
4	1	121400-44650	ABSORBER	2							
5	1	129211-44940	RETAINER, RADIATOR	1							
6	1	129188-44950	BRACKET	2							
7	1	129188-44960	BRACKET, RADIATOR	1							
8	1	129188-44970	SUPPORT, A	1							
9	1	129188-44980	SUPPORT, B	1							
10	1	171301-49010	PIPE, WATER	1							
11	1	129211-49020	PIPE, WATER	1							
12	1	23010-038000	CLAMP, 38	4							
13	1	129550-49100	COCK ASSY, 2-WAY	1							
14	2	129150-49080	COCK, DRAIN	1							
16	1	121520-49160	PIPE, WATER DRAIN	1							
17	1	124766-59050	CLIP, HOSE 12	4							
18	1	129420-44510	RADIATOR	1							
19	2	123682-44210	CAP, RADIATOR	1							
20	1	120445-44530	TANK, SUB	1							
21	1	120445-44540	SUPPORT	1							

Fig.12. FUEL INJECTION PUMP

12.FUEL INJECTION PUMP



No.	Lev.	Parts No.	Description	Q'ty						I	R
				(A)	(B)	(C)	(D)	(E)	(F)		
1	1	729219-51460	PUMP ASSY, INJECTION	1							1
4	3	129155-51020	STUD	2							
5	3	119810-51040	CAMSHAFT	1							
6	3	129155-51050	BEARING, 17BM001D	1							
7	3	129208-51060	SUPPORT	1							
8	3	122710-51090	KEY	1							
9	3	129506-51100	PLUNGER ASSY	3							
12	3	129155-51140	PIN	3							
13	3	174307-51170	RETAINER, SPRING A	3							
14	3	129155-51180	RETAINER, SPRING	3							
15	3	124950-51190	SPRING, PLUNGER	3							
16	3	129155-51200	TAPPET ASSY	3							
23	3	129155-51270	STOPPER, TAPPET	3							
24	3	129155-51280	O-RING, S6	3							
25	3	129100-51300	VALVE ASSY, DELIVERY	3							
28	3	129155-51320	SPRING, DELIVERY	3							
29	3	129155-51340	RETAINER	3							
30	3	124550-51350	GASKET, DELIVERY	3							
31	3	124550-51370	O-RING	3							
32	3	129155-51370	STOPPER, VALVE	3							
33	3	129155-51380	STOPPER	2							
34	3	129155-51390	STOPPER	2							
35	3	129155-51400	DEFLECTOR	1							
36	3	129155-51410	BOLT	1							
37	3	129155-51420	PLUG, M16	1							
38	3	129155-51450	SHIM SET, ADJUSTING	1							
43	3	129155-51500	RACK, CONTROL	1							
44	3	129155-51521	BUSH, RACK	1							
45	3	129155-51530	SPACER	1							
46	3	129155-51540	CIRCLIP	1							
47	3	129155-51550	PINION, CONTROL	3							
48	3	122117-51560	SCREW	3							
49	3	174307-51560	PINION	3							
50	3	129155-51570	PLUG, M12	1							
51	3	129155-51580	O-RING	1							
52	3	129155-51591	SPRING, RACK	1							
53	3	129155-51600	SHIM SET, ADJUSTING	3							
72	3	129155-51701	COVER	1							
73	3	129155-51710	GASKET	1							
74	3	129155-51751	COVER	1							
75	3	129155-51760	GASKET	1							
76	3	129155-51790	STOOPER, RACK	1							
77	3	129156-51910	LABEL, CAUTION	1							
78	3	129155-51930	SPACER, T=3.25	1							
79	3	129155-51940	SPACER, T=1.5	1							
80	3	22217-050000	WASHER, SPRING 5	2							
81	3	22217-060000	WASHER, SPRING 6	2							
82	3	22351-050010	PIN, SPRING 5.0X10	2							
83	3	24101-063034	BEARING, BALL 6303	1							
84	3	24341-000160	O-RING, 1AS16.0	1							
85	3	26022-050122	SCREW, M5X12	8							

Remarks
 (1) GOVERNOR ASSY(FIG.13) IS INCORPORATED IN THIS FOP.CMP (REF.NO.1).

Fig.13. GOVERNOR

(A)=3TNE88-EPG

(B)=

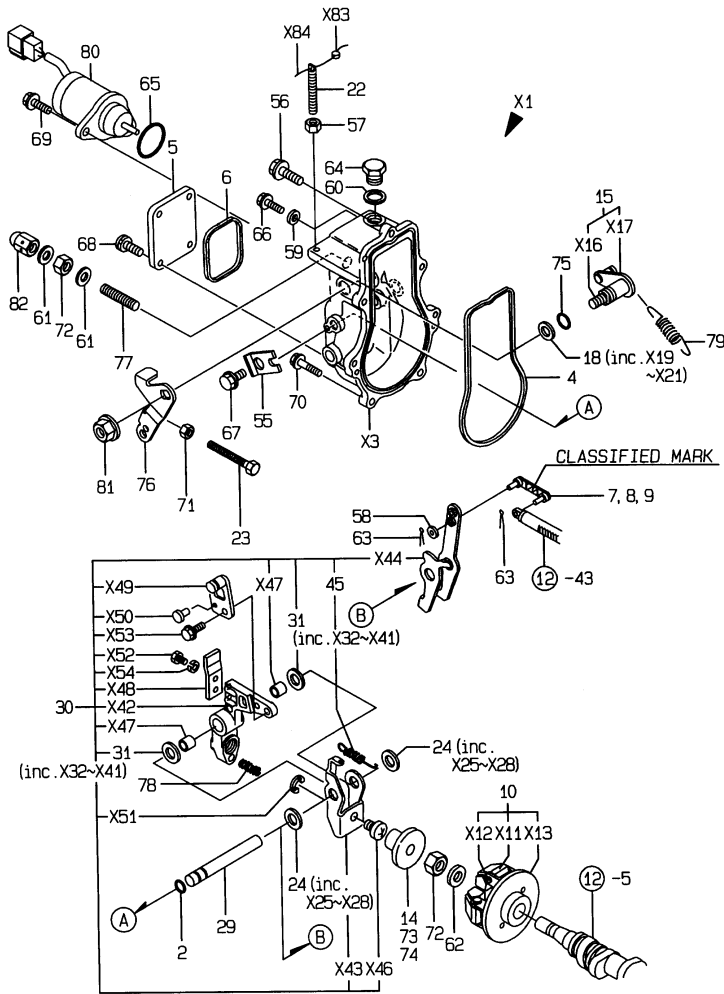
(C)=

(D)=

(E)=

(F)=

13. GOVERNOR



X-MARK PARTS: NOT SOLD SEPARATELY.

No.	Lev.	Parts No.	Description	Q'ty						I	R
				(A)	(B)	(C)	(D)	(E)	(F)		
2	3	129155-51280	O-RING, S6	1							
4	3	129052-61050	GASKET	1							
5	3	129052-61060	COVER, GOVERNOR CASE	1							
6	3	129052-61070	GASKET	1							
7	3	129155-61120	LINK, L=30 MARK 0	1							1
8	3	129155-61130	LINK, L=31 MARK 1	1							1
9	3	129155-61140	LINK, L=30.5 MARK 05	1							1
10	3	171488-61200	WEIGHT ASSY,GOVERNOR	1							
14	3	129155-61341	SLEEVE	1							2
15	3	129100-61400	SHAFT ASSY	1							
18	3	129155-61430	SPACER	1							
22	3	129155-61450	BOLT, LIMITER	1							
23	3	129155-61460	BOLT, IDLE	1							
24	3	129155-61480	SPACER ASSY	2							
29	3	129052-61390	SHAFT	1							
30	3	129412-61500	LEVER ASSY, GOVERNOR	1							
31	4	174307-51700	SHIM SET	2							
45	4	119843-61540	SPRING, SET	1							
55	3	119660-61901	RETAINER, SHAFT	1							
56	3	129155-61950	BOLT	1							
57	3	124550-66370	NUT, M6	1							
58	3	22117-040000	WASHER, 4	1							
59	3	22190-060003	SEAL WASER 6	1							
60	3	22190-100002	WASHER, SEAL 10	1							
61	3	22190-120002	WASHER, SEAL 12	2							
62	3	22287-120000	WASHER, 12	1							
63	3	22372-040000	PIN, SNAP 4	2							
64	3	23887-100002	PLUG, 10	1							
65	3	24341-000280	O-RING, 1AS28.0	1							
65-1	3	158552-61900	O-RING	1							N
(A=EXXXXX)											
66	3	26106-060102	BOLT, M6X 10 PLATED	1							
67	3	26106-060102	BOLT, M6X 10 PLATED	1							
68	3	26106-060102	BOLT, M6X 10 PLATED	4							
69	3	26106-060142	BOLT, M6X 14 PLATED	2							
70	3	26106-060202	BOLT, M6X 20 PLATED	6							
71	3	26756-060002	NUT, LOCK M6	1							
72	3	26776-120002	NUT, LOCK M12	2							
73	3	129155-61350	SLEEVE, L=24.9	1							2
74	3	129155-61360	SLEEVE, L=25.2	1							2
75	3	129155-61830	O-RING, S10	1							
76	2	171488-61440	LEVER, CONTROL	1							
77	2	129155-61470	BOLT, CONTROL	1							
78	2	129500-61650	SPRING, FUEL CONTROL	1							
79	2	129477-61720	SPRING, GOVERNOR	1							
80	2	119653-77950	SOLENOID, STOP	1							
81	2	26366-080002	NUT, M8	1							
82	2	129100-61930	NUT, CAP	1							

Remarks

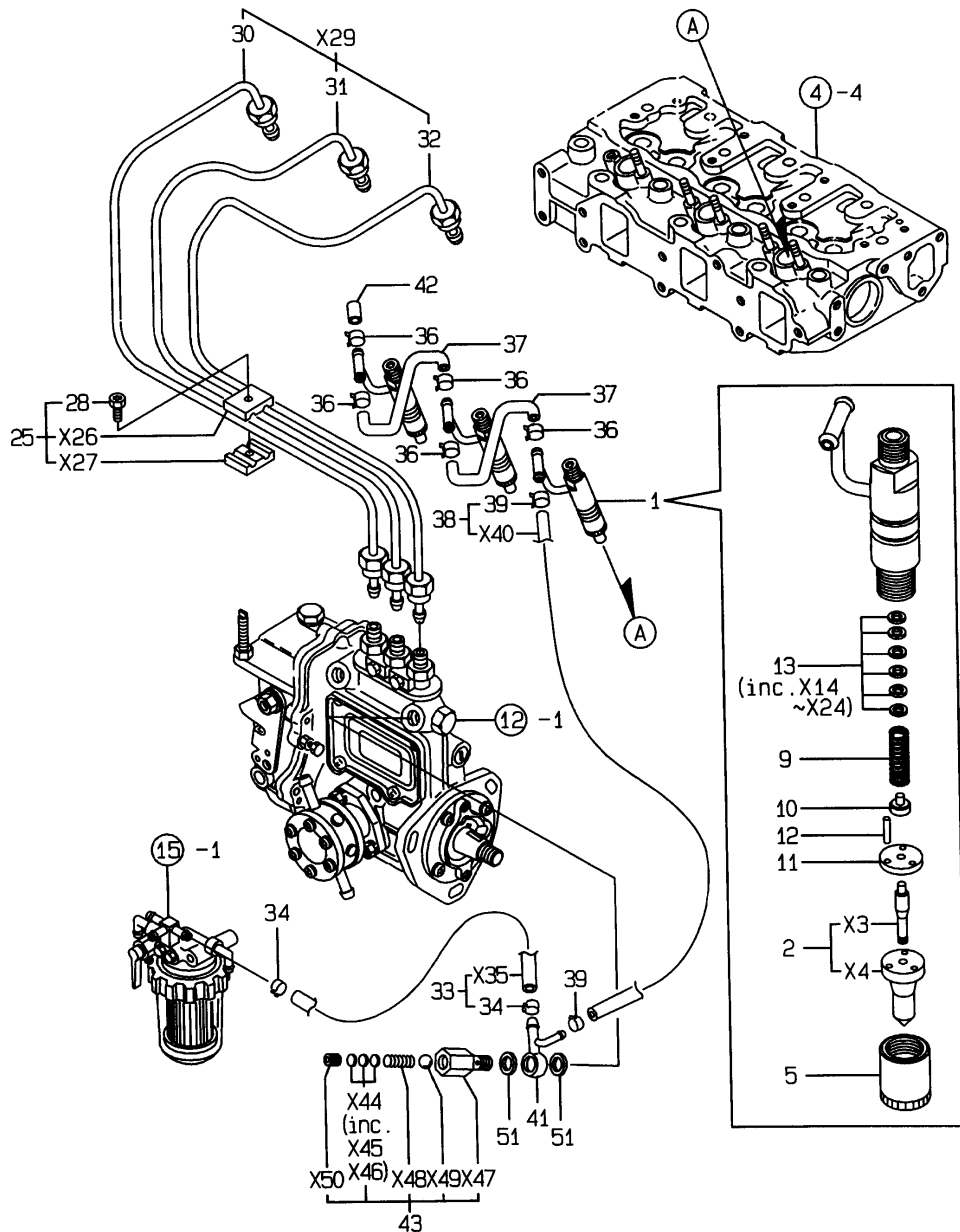
(1) SELECTIVE PARTS: CERTAIN THE CLASSIFICATION MARK, THEN PLACE YOUR ORDER.(REFER TO ILLUSTRATION).

(2) SELECTIVE PARTS.

* THIS FIGURE(GOVERNOR ASSY)IS INCORPORATED IN THE FUEL INJECTION PUMP ASSY(FIG.12).

Fig.14. FUEL INJECTION VALVE

14.FUEL INJECTION VALVE



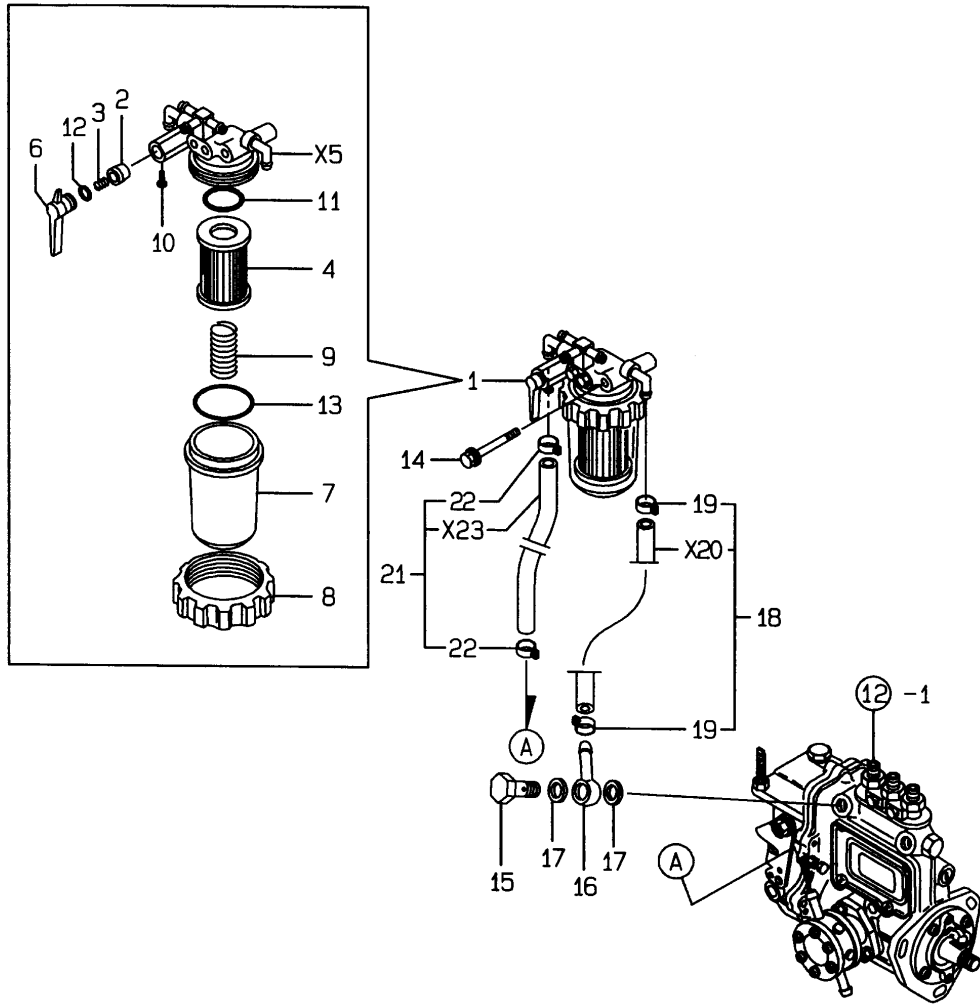
(A)=3TNE88-EPG
(B)=
(C)=

(D)=
(E)=
(F)=

No.	Lev.	Parts No.	Description	Qty						I	R
				(A)	(B)	(C)	(D)	(E)	(F)		
1	1	719810-53100	VALVE ASSY,INJECTION	3							
2	2	119810-53000	VALVE ASSY,INJECTION	3							
5	2	114250-53080	NUT, NOZZLE D16.95	3							
9	2	114250-53120	SPRING, NOZZLE	3							
10	2	114250-53130	SEAT, SPRING	3							
11	2	114250-53140	PLATE	3							
12	2	114250-53210	PIN	6							
13	2	114250-53400	SHIM SET	3							
25	1	119305-59120	RETAINER, PIPE	2							
28	2	129150-59131	BOLT, M4X14	2							
30	2	129052-59810	PIPE ASSY, INJECTION	1							
31	2	129052-59820	PIPE ASSY, INJECTION	1							
32	2	129052-59830	PIPE ASSY, INJECTION	1							
33	1	129210-59130	PIPE ASSY, FUEL	1							
34	2	124766-59050	CLIP, HOSE 12	2							
36	1	124066-59100	CLIP, HOSE 8	7							
37	1	121250-59550	PIPE, FUEL D8X120	2							
38	1	119840-59500	PIPE ASSY, RETURN	1							
39	2	124066-59100	CLIP, HOSE 8	2							
41	1	119840-59570	JOINT	1							
42	1	129150-59580	CAP	1							
43	1	129100-59951	VALVE ASSY, CHECK	1							
51	1	22190-120002	WASHER, SEAL 12	2							

Fig.15. FUEL LINE

15.FUEL LINE



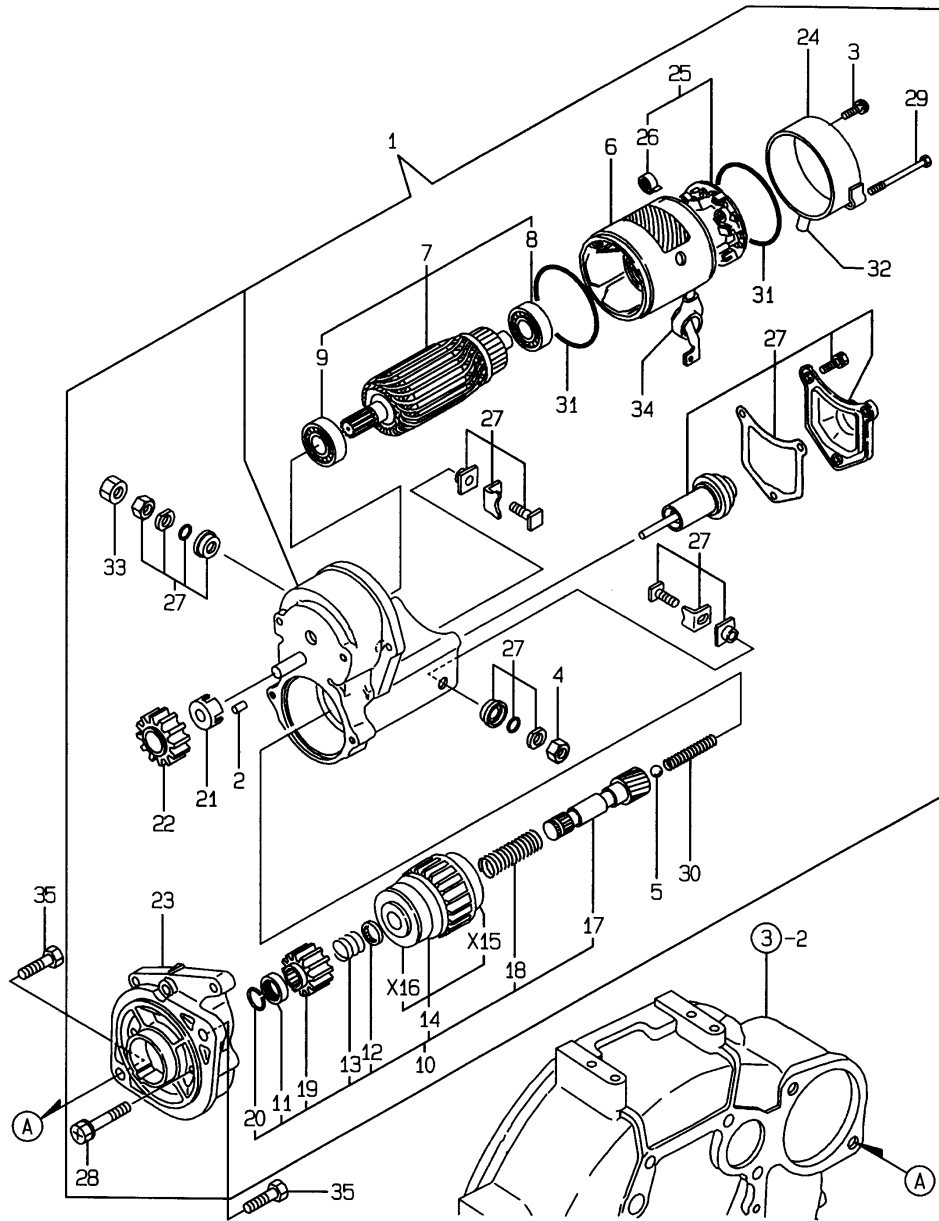
(A)=3TNE88-EPG
(B)=
(C)=

(D)=
(E)=
(F)=

No.	Lev.	Parts No.	Description	Q'ty						I	R
				(A)	(B)	(C)	(D)	(E)	(F)		
1	1	129052-55620	FILTER ASSY, FUEL	1							
2	2	104200-55321	VALVE, TAPER	1							
3	2	104200-55330	SPRING, VALVE	1							
4	2	129100-55650	ELEMENT	1							
6	2	129100-55670	LEVER	1							
7	2	129100-55680	CUP, STRAINER	1							
8	2	129100-55690	RING, RETAINING	1							
9	2	129100-55700	SPRING	1							
10	2	104200-55750	SCREW, M4	1							
11	2	24311-000160	O-RING, 1AP16.0	1							
12	2	24311-240100	O-RING, 1AP10A	1							
13	2	24321-000650	O-RING, 1AG65.0	1							
14	1	26014-080702	BOLT, M8X 70	1							
15	1	103854-39140	BOLT, PIPE JOINT	1							
16	1	101304-59020	JOINT, PIPE 12	1							
17	1	22190-120002	WASHER, SEAL 12	2							
18	1	129210-59030	PIPE ASSY, FUEL	1							
19	2	124766-59050	CLIP, HOSE 12	2							
21	1	129210-59130	PIPE ASSY, FUEL	1							
22	2	124766-59050	CLIP, HOSE 12	2							

Fig.16. STARTING MOTOR

16. STARTING MOTOR



x-MARK PARTS: NOT SOLD SEPARATELY.

(A)=3TNE88-EPG

(B)=

(C)=

(D)=

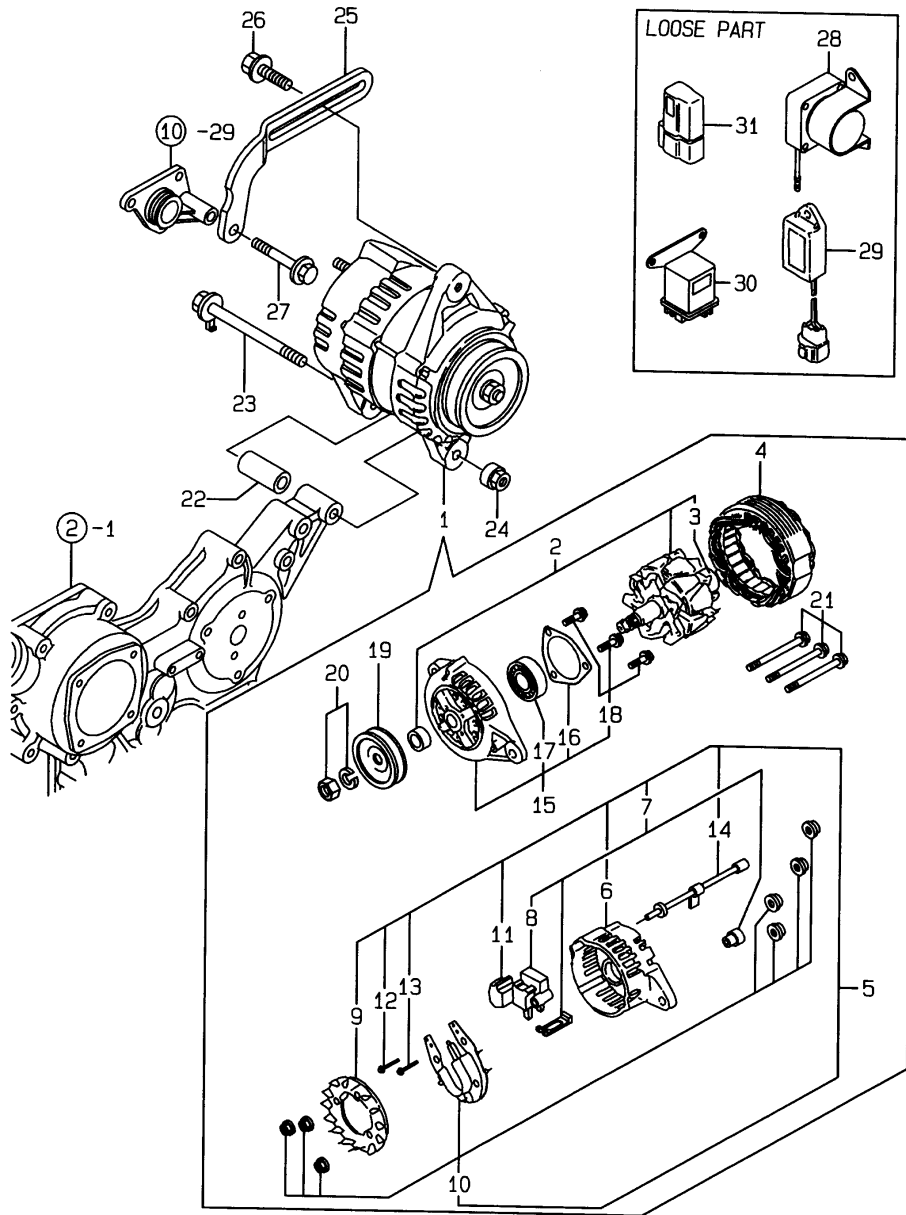
(E)=

(F)=

No.	Lev.	Parts No.	Description	Q'ty						I	R
				(A)	(B)	(C)	(D)	(E)	(F)		
1	1	129129-77010	STARTER ASSY	1							
2	2	X0283060061	ROLLER	5							
3	2	129129-77460	SCREW	2							
4	2	X9490561370	NUT	1							
5	2	X9491200240	BALL	1							
6	2	129129-77210	YOKE ASSY	1							
7	2	129129-77220	ARMATURE ASSY	1							
8	3	129129-77230	BEARING	1							
9	3	129129-77240	BEARING	1							
10	2	129129-77250	STARTER	1							
11	3	X0280210230	NUT	1							
12	3	X0283270140	RETAINER	1							
13	3	X9491703371	SPRING, COIL	1							
14	3	129129-77390	CLUTCH ASSY	1							
17	3	129129-77400	SHAFT	1							
18	3	129129-77410	SPRING, COIL	1							
19	3	129129-77420	PINION, STARTER	1							
20	3	129129-77430	RING	1							
21	2	129129-77260	RETAINER	1							
22	2	129129-77270	PINION	1							
23	2	129129-77280	HOUSING	1							
24	2	129129-77290	FRAME	1							
25	2	129129-77300	HOLDER ASSY	1							
26	3	X9491730461	SPRING	4							
27	2	129129-77310	SWITCH ASSY	1							
28	2	129129-77320	BOLT	2							
29	2	129129-77330	BOLT	2							
30	2	129129-77340	SPRING	1							
31	2	129129-77350	O-RING	2							
32	2	129129-77362	COVER	1							
33	2	129129-77370	NUT	1							
34	2	129129-77380	CAP	1							
35	1	26116-120252	BOLT, M12X 25 PLATED	2							

Fig.17. GENERATOR

17. GENERATOR



(A)=3TNE88-EPG

(B)=

(C)=

(D)=

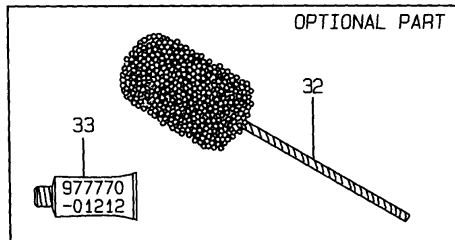
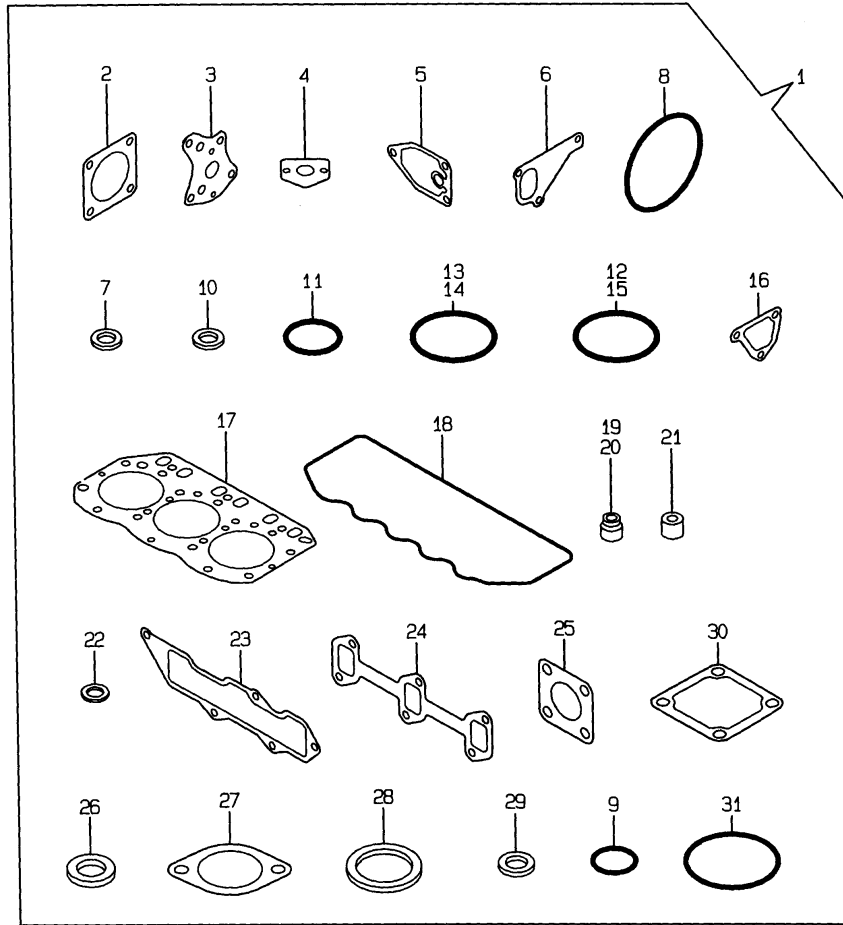
(E)=

(F)=

No.	Lev.	Parts No.	Description	Q'ty						I	R
				(A)	(B)	(C)	(D)	(E)	(F)		
1	1	119836-77200	GENERATOR	1							
2	2	119836-77700	ROTOR ASSY	1							
3	3	119836-77850	BALL BEARING	1							
4	2	119836-77710	STATOR ASSY	1							
5	2	119836-77721	COVER ASSY, REAR	1							
6	3	119836-77730	COVER, REAR	1							
7	3	119836-77741	BRUSH ASSY,REGULATOR	1							
8	4	119836-77750	BRUSH ASSY	1							
9	3	119836-77760	GUIDE, FAN SIDE	1							
10	3	119836-77770	DIODE ASSY	1							
11	3	119836-77780	CONDENSER	1							
12	3	119836-77871	BOLT (1)	1							
13	3	119836-77880	BOLT (2)	1							
14	3	119836-77890	WIRE ASSY, LEAD	1							
15	2	119836-77790	COVER ASSY, FRONT	1							
16	3	119836-77800	RETAINER, BEARING	1							
17	3	119836-77840	BALL BEARING	1							
18	3	119836-77860	SCREW KID	1							
19	2	119836-77810	PULLEY	1							
20	2	119836-77820	NUT ASSY, PULLEY	1							
21	2	119836-77830	BOLT, THROUGH	1							
22	1	119820-77340	PIECE, DISTANCE	1							
23	1	129136-77251	BOLT, M8X110	1							
24	1	129612-77260	NUT, ALTERNATOR	1							
25	1	129100-77320	ADJUSTER	1							
26	1	119810-77340	BOLT, ADJUSTER	1							
27	1	26106-080502	BOLT, M8X 50 PLATED	1							
28	1	129100-77910	RELAY, MAGNETIC	1							
29	1	119632-77920	TIMER	1							
30	1	119650-77910	RELAY ASSY, GLOW	1							
31	1	119643-66900	DIODE	1							

Fig.18. GASKET SET

18. GASKET SET



Remarks
(1) OPTIONAL PART.

(A)=3TNE88-EPG
(B)=
(C)=

(D)=
(E)=
(F)=

No.	Lev.	Parts No.	Description	Q'ty						I	R
				(A)	(B)	(C)	(D)	(E)	(F)		
1	1	729030-92720	GASKET SET	1							1
2	2	124240-01883	GASKET	1							
3	2	129150-32020	GASKET, PUMP	1							
4	2	129150-35041	GASKET	1							
5	2	129150-35111	GASKET	1							
6	2	129486-42021	GASKET, WATER PUMP	1							
7	2	22190-080002	WASHER, SEAL 6	7							
8	2	121850-51960	O-RING	1							
9	2	24311-000120	O-RING, 1AP12.0	3							
10	2	22190-100002	WASHER, SEAL 10	2							
11	2	24311-000160	O-RING, 1AP16.0	3							
12	2	24341-000500	O-RING, 1AS50.0	1							
13	2	24341-000240	O-RING, 1AS24.0	1							
14	2	24341-000250	O-RING, 1AS25.0	1							
15	2	24311-000320	O-RING, 1AP32.0	2							
16	2	124395-49840	GASKET	1							
17	2	129001-01340	GASKET, HEAD	1							
18	2	129150-11310	GASKET, BONNET	1							
19	2	121400-11340	SEAL, VALVE STEM	3							
20	2	124460-11340	SEAL, VALVE STEM	3							
21	2	119625-11870	PROTECTOR, NOZZLE	3							
22	2	119625-11880	SEAT, NOZZLE	3							
23	2	129001-12110	GASKET, MANIFOLD	1							
24	2	129150-13110	GASKET	1							
25	2	124701-11911	GASKET, SILENCER	1							
26	2	124465-44950	GASKET, 16	2							
27	2	129795-49551	GASKET	1							
28	2	129150-49811	GASKET, THERMOSTAT	1							
29	2	22190-120002	WASHER, SEAL 12	4							
30	2	129150-77511	GASKET	1							
31	2	129486-42140	O-RING, G30	1							
32	1	129400-92420	HONE	1							1
33	1	977770-01212	GASKET, LIQUID	1							1

Parts No. Index

Parts No.	Fig. No.	Ref. No.
101304-59020	15	16
103854-39140	15	15
104200-55321	15	2
104200-55330	15	3
104200-55750	15	10
104407-44480	5	4
114250-39450	9	33
114250-53080	14	5
114250-53120	14	9
114250-53130	14	10
114250-53140	14	11
114250-53210	14	12
114250-53400	14	13
119131-18320	6	5
119305-59120	14	25
119620-01750	3	3
119620-49290	10	33
119625-11870	4	21
	18	21
119625-11880	4	22
	18	22
119625-11900	4	23
119632-77920	17	29
119643-66900	17	31
119650-77910	17	30
119653-77950	13	80
119660-61901	13	55
119810-51040	12	5
119810-53000	14	2
119810-77340	17	26
119820-77340	17	22
119836-77200	17	1
119836-77700	17	2
119836-77710	17	4
119836-77721	17	5
119836-77730	17	6
119836-77741	17	7
119836-77750	17	8
119836-77760	17	9
119836-77770	17	10
119836-77780	17	11
119836-77790	17	15
119836-77800	17	16
119836-77810	17	19
119836-77820	17	20
119836-77830	17	21
119836-77840	17	17
119836-77850	17	3
119836-77860	17	18
119836-77871	17	12

Parts No.	Fig. No.	Ref. No.
119836-77880	17	13
119836-77890	17	14
119840-59500	14	38
119840-59570	14	41
119843-61540	13	45
119888-08110	11	2
120130-11860	4	7
120445-44530	11	20
120445-44540	11	21
121023-01550	2	24
121111-21501	8	11
121250-44901	10	1
121250-59550	14	37
121400-11340	4	18
	18	19
121400-44650	11	4
121450-01560	2	5
121450-42450	10	26
121520-34810	9	17
121520-49160	11	16
121550-23200	8	27
121850-21680	8	10
121850-51960	2	11
	18	8
122117-51560	12	48
122710-51090	12	8
123682-44210	11	19
124066-59100	14	36
		39
124160-01751	2	6
	4	53
124160-01910	1	4
124160-11360	4	52
124160-39140	9	28
124240-01871	2	7
124240-01883	2	8
	18	2
124395-49840	10	24
	18	16
124460-11340	4	19
	18	20
124465-44950	10	27
		28
	18	26
124550-21600	8	14
124550-51350	12	30
124550-51370	12	31
124550-59820	9	35
124550-59830	9	34
124550-66370	13	57

Parts No.	Fig. No.	Ref. No.
124701-11911	6	7
	18	25
124736-07900	4	2
124766-59050	11	17
	14	34
	15	19
		22
124950-51190	12	15
129001-01250	1	10
129001-01340	1	21
	18	17
129001-02800	1	14
129001-11700	4	4
129001-12110	5	1
	18	23
129001-21000	8	1
129001-22081	8	15
129001-22500	8	17
129001-22901	8	30
129001-22950	8	32
129001-32001	9	1
129001-35300	9	24
129001-42003	10	2
129001-42040	10	29
129001-91841	2	20
129052-55620	15	1
129052-59810	14	30
129052-59820	14	31
129052-59830	14	32
129052-61050	13	4
129052-61060	13	5
129052-61070	13	6
129052-61390	13	29
129100-01580	3	1
		14
	8	2
129100-01640	3	15
129100-01730	3	6
129100-01760	3	7
129100-11100	4	13
129100-11110	4	14
129100-11240	4	24
129100-11650	4	31
129100-13110	6	1
129100-23910	8	26
129100-25061	7	8
129100-35301	9	19
129100-51300	12	25
129100-52100	12	97
129100-55650	15	4

Parts No.	Fig. No.	Ref. No.
129100-55670	15	6
129100-55680	15	7
129100-55690	15	8
129100-55700	15	9
129100-59951	14	43
129100-61400	13	15
129100-61930	13	82
129100-77320	17	25
129100-77910	17	28
129120-44560	11	3
129120-77501	5	7
129129-14580	7	3
129129-77010	16	1
129129-77210	16	6
129129-77220	16	7
129129-77230	16	8
129129-77240	16	9
129129-77250	16	10
129129-77260	16	21
129129-77270	16	22
129129-77280	16	23
129129-77290	16	24
129129-77300	16	25
129129-77310	16	27
129129-77320	16	28
129129-77330	16	29
129129-77340	16	30
129129-77350	16	31
129129-77362	16	32
129129-77370	16	33
129129-77380	16	34
129129-77390	16	14
129129-77400	16	17
129129-77410	16	18
129129-77420	16	19
129129-77430	16	20
129129-77460	16	3
129136-77251	17	23
129150-01200	1	20
129150-02020	1	6
129150-02450	7	4
129150-02870	1	25
129150-02930	1	17
129150-02940	1	22
129150-03020	4	44
129150-03070	4	45
129150-03080	4	46
129150-03100	2	10
129150-11230	4	32
129150-11280	4	27

Parts No. Index

Parts No.	Fig. No.	Ref. No.
129150-11290	4	28
129150-11310	4	48
	18	18
129150-11370	4	20
129150-11750	4	34
129150-11810	4	9
129150-13110	6	2
	18	24
129150-14101	7	6
129150-14200	7	1
129150-14400	7	2
129150-21200	8	4
129150-21650	8	8
129150-23600	8	28
129150-23610	8	36
129150-25101	7	9
129150-25301	7	16
129150-25920	7	12
129150-25931	7	14
129150-32020	9	14
	18	3
129150-35041	9	18
	18	4
129150-35101	9	21
129150-35111	9	22
	18	5
129150-35151	9	23
129150-35350	9	25
129150-39450	9	29
129150-49080	11	14
129150-49811	10	23
	18	28
129150-59131	14	28
129150-59580	14	42
129150-77511	5	8
	18	30
129155-11260	4	25
129155-11270	4	26
129155-42350	10	16
129155-49800	10	22
129155-51020	12	4
129155-51050	12	6
129155-51140	12	12
129155-51180	12	14
129155-51200	12	16
129155-51270	12	23
129155-51280	12	24
	13	2
129155-51320	12	28
129155-51340	12	29

Parts No.	Fig. No.	Ref. No.
129155-51370	12	32
129155-51380	12	33
129155-51390	12	34
129155-51400	12	35
129155-51410	12	36
129155-51420	12	37
129155-51450	12	38
129155-51500	12	43
129155-51521	12	44
129155-51530	12	45
129155-51540	12	46
129155-51550	12	47
129155-51570	12	50
129155-51580	12	51
129155-51591	12	52
129155-51600	12	53
129155-51701	12	72
129155-51710	12	73
129155-51751	12	74
129155-51760	12	75
129155-51790	12	76
129155-51930	12	78
129155-51940	12	79
129155-52050	12	96
129155-61120	13	7
129155-61130	13	8
129155-61140	13	9
129155-61341	13	14
129155-61350	13	73
129155-61360	13	74
129155-61430	13	18
129155-61450	13	22
129155-61460	13	23
129155-61470	13	77
129155-61480	13	24
129155-61830	13	75
129155-61950	13	56
129156-51910	12	77
129188-08100	11	1
129188-44950	11	6
129188-44960	11	7
129188-44970	11	8
129188-44980	11	9
129202-22300	8	21
129208-51060	12	7
129208-54500	12	90
129210-59030	15	18
129210-59130	14	33
	15	21
129211-44940	11	5

Parts No.	Fig. No.	Ref. No.
129211-49020	11	11
129219-03100	4	1
129219-12100	5	3
129219-12700	5	2
129350-49560	10	20
129400-01520	2	4
129400-92420	18	32
129410-03990	4	41
129412-61500	13	30
129420-44510	11	18
129477-61720	13	79
129486-01670	3	18
129486-42021	10	32
	18	6
129486-42140	10	30
	18	31
129500-61650	13	78
129506-51100	12	9
129550-49100	11	13
129612-77260	17	24
129795-01780	3	17
129795-01800	2	3
129795-01950	2	9
129795-02411	1	13
129795-11120	4	15
129795-11180	4	16
129795-21661	8	9
129795-49551	10	21
	18	27
158552-61900	13	65 -1
171051-01921	1	5
171301-01640	3	8
171301-49010	11	10
171340-21590	8	12
171340-44740	10	17
171353-44760	10	18
171420-01600	3	2
171420-34820	9	16
171488-61200	13	10
171488-61440	13	76
174307-51170	12	13
174307-51560	12	49
174307-51700	13	31
22117-040000	13	58
22190-060003	13	59
22190-080002	2	22
		23
	9	36
		37
	18	7

Parts No.	Fig. No.	Ref. No.
22190-100002	9	38
	13	60
	18	10
22190-120002	13	61
	14	51
	15	17
	18	29
22190-160002	12	89
22217-050000	12	80
22217-060000	12	81
22217-120000	12	92
22252-000260	8	22
22287-120000	13	62
22351-040010	8	7
22351-050010	12	82
22351-060012	4	38
22372-040000	13	63
22512-070140	7	7
	8	5
23010-038000	11	12
23876-010000	1	9
23876-030000	10	13
23887-100002	13	64
24101-063034	12	83
24311-000120	4	40
	18	9
24311-000160	2	12
	9	26
	15	11
	18	11
24311-000320	2	13
	4	54
	18	15
24311-240100	15	12
24321-000650	15	13
24341-000160	12	84
24341-000240	2	25
	18	13
24341-000250	3	10
	18	14
24341-000280	13	65
24341-000500	4	50
	18	12
25132-003800	10	15
26014-080702	15	14
26022-050122	12	85
26022-060162	12	86
26106-060102	13	66
		67
		68

Parts No. Index

Parts No.	Fig. No.	Ref. No.
26106-060142	13	69
26106-060162	2	26
26106-060202	13	70
26106-060352	10	19
26106-080122	2	14
26106-080142	4	3
	7	15
26106-080162	2	15
		16
	3	11
	4	51
	10	31
26106-080202	2	17
	5	5
	9	27
	10	25
26106-080252	3	12
	4	36
26106-080352	3	19
	5	9
	9	20
26106-080452	2	18
	3	13
		13 -1
	7	13
26106-080502	3	21
	4	37
	17	27
26106-080552	2	19
26106-080602	10	14
26106-080802	5	6
	6	4
26116-050302	12	87
26116-120252	16	35
26206-100252	3	4
26206-100302	3	5
26216-060202	4	11
26216-080802	6	6
26226-080182	4	35
26366-060002	4	39
26366-080002	2	21
	6	3
	13	81
26450-060252	9	15
26716-060002	12	88
26716-120002	12	93
26756-060002	13	71
26776-120002	13	72
27241-120000	1	11
27241-300000	1	12

Parts No.	Fig. No.	Ref. No.
27241-400000	4	12
27310-080001	4	17
719810-01500	2	1
719810-53100	14	1
729001-01560	1	1
729030-92720	18	1
729132-11521	4	42
729219-51460	12	1
729402-23100	8	23
977770-01212	2	27
	3	20
	18	33
X0280210230	16	11
X0283060061	16	2
X0283270140	16	12
X9490561370	16	4
X9491200240	16	5
X9491703371	16	13
X9491730461	16	26

Parts No.	Fig. No.	Ref. No.
-----------	----------	----------

Parts No.	Fig. No.	Ref. No.
-----------	----------	----------