

OCR10-M52400EN

# P R E F A C E

1. This Parts Catalog carries all parts incorporated in YANMAR Model 3TNE88-SA01~05, 3TNE88-G1A01, 3TNE88-ESA01~05, 3TNE88C-G1A01~03 & 3TNE88C-EG1A01~03.

2. Model name

Column	Model name	Manufactured	E/#
(A)	3TNE88-SA01	1998/12~	20335~
	3TNE88-SA03		
	3TNE88-SA04		
	3TNE88-SA05		
(B)	3TNE88-G1A01	1999/1~	20527~
(C)	3TNE88-ESA01	1999/1~	20746~
	3TNE88-ESA02		
	3TNE88-ESA03		
	3TNE88-ESA04		
	3TNE88-ESA05		
(D)	3TNE88C-G1A01	1999/1~	20618~
	3TNE88C-G1A02		
	3TNE88C-G1A03		
(E)	3TNE88C-EG1A01	2000/1~	28462~
	3TNE88C-EG1A02		
	3TNE88C-EG1A02		

3. Each illustration corresponds to the parts list on the following page.

4. When ordering parts, clearly write down the engine model and serial number, as well as the name and number of each part in your order sheet. This will help insure reliable delivery of the parts you have ordered.

## Directions for the Parts Catalog.

1. This Parts Catalog shows both standard and optional parts.
2. Parts may change without prior notice.
3. The following is an example of the Parts Catalog format.

REF.	LEV.	PARTS NO.	DESCRIPTION	Q'TY						I	R
				(A)	(B)	(C)	(D)	(E)	(F)		
1	1	729595-51390	FUEL INJECTION PUMP	1	1	1	1	1			1
1-1	1	729595-51391	FUEL INJECTION PUMP	1	1	1	1	1		N	1
		(A=E00185) (B=E00200)									
3	2	26022-060162	SCREW M 6X 16	9	9	9	9	9			
3-1	2	26022-060162	SCREW M 6X 16	4	4	4	4	4		K	
		(A=E00156) (B=E00156) (C=E00156) (D=E00156) (E=E00156)									
4	2	129470-51040	CAMSHAFT	1	1	1	1	1			
5	2	122710-51050	BEARING, ROLLER	2	2	2	2	2			
6	2	129470-51060	RETAINER	1	1	1	1	1			

Remarks
(1) BOOST COMPEMSATOR TYPE. OPTIONAL PART, TO E00155,(4JH-DT, 4JH-DTZ

### ① Ref. No.

The Ref. No. listed may not be in accordance with the illustration Ref. No.

(Ex.) Illustration No.

List Ref No.

1 1 (Before change) → 1-1 (After change)

For interchangeable symbols N, R and K, illustrations for new parts may be abbreviated.

### ② Lev. (Level)

Level indication

The numbers below indicate the level of relativity towards the main part.

1 ---- Main parts (Assembly parts)

2 ---- Sub component included in " 1 ".

3 ---- Sub component included in " 2 ".

Note) Parts that are not for sale are partially illustrated but not listed.

### ③ Interchangeability Symbol

When a part change takes place, one of the following interchangeability symbols is indicated beside the part.

Symbol	Interchangeability	Contents note
N	Old $\begin{matrix} \leftarrow \text{Yes} \\ \text{No} \rightarrow \end{matrix}$ New	New Part is interchangeable for Old Part but Old Part is not interchangeable for New Part.
Q	Old $\begin{matrix} \leftarrow \text{No} \\ \text{Yes} \rightarrow \end{matrix}$ New	New Part is not interchangeable for Old Part but Old Part is interchangeable for New Part.
R	Old $\begin{matrix} \leftarrow \text{Yes} \\ \text{Yes} \rightarrow \end{matrix}$ New	New/ Old Parts are both interchangeable.
S	Old $\begin{matrix} \leftarrow \text{No} \\ \text{No} \rightarrow \end{matrix}$ New	New/ Old Parts are both not interchangeable.
W		Part newly added.
Z		Part discontinued.
F		Not interchangeable by a single part but interchangeable together with related parts.
K		Changes only for used parts quantities.

### ④ Effective Machine No.

When a part changes, the effective Machine No. will be indicated in the (A)-(F) column.

Product Symbol	Product No.	Product Symbol	Product No.
C	Clutch No. Compressor No.	F	Machine No. (Agricultural Equip.)
D	Drive No.	M	Machine No.
E	Engine No.		

Note 1) A date may follow the symbol. (Ex.) 1996.01

Note 2) "XXXXX" and "ZZZZZ" are for parts that could not be predicted or for engine models that could not be identified.

Note 3) (A=E00185) is the E (Engine Serial Number) for the column (A) model (in this case 4JH-DT) after the parts design change.

### ⑤ Remarks

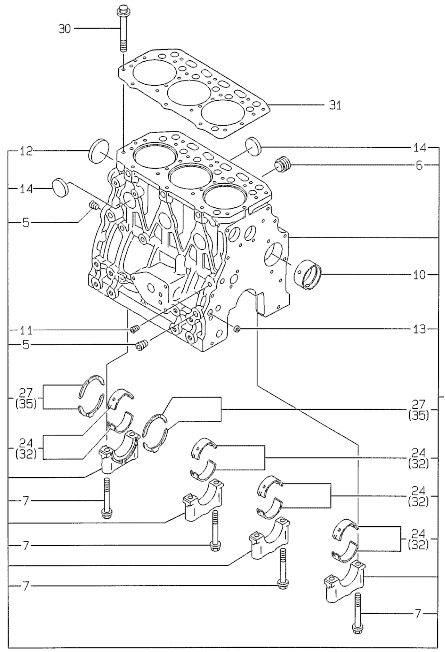
Figures or alphabets (symbols) are entered in the remarks column.

The comments (remarks) on parts that are indicated at the bottom of the illustration are the same symbols as those stated above.

## Contents

Fig. No.	Fig. Name	Fig. No.	Fig. Name
3TNE88(C)-(E)SA,G1A			
1.	CYLINDER BLOCK		
2.	GEAR HOUSING		
3.	FLYWHEEL HOUSING & OIL SUMP		
4.	CYLINDER HEAD & BONNET		
5.	SUCTION MANIFOLD & AIR CLEANER		
6.	EXHAUST MANIFOLD & SILENCER		
7.	CAMSHAFT & DRIVING GEAR		
8.	CRANKSHAFT & PISTON		
9.	LUB.OIL SYSTEM		
10.	COOLING WATER SYSTEM		
11.	RADIATOR		
12.	FUEL INJECTION PUMP		
13.	GOVERNOR		
14.	FUEL INJECTION VALVE		
15.	FUEL FILTER		
16.	ENGINE CONTROL DEVICE		
17.	STARTING MOTOR(STANDARD)		
18.	STARTING MOTOR(STANDARD)		
19.	STARTING MOTOR(COLD DISTRICT)		
20.	STARTING MOTOR(COLD DISTRICT)		
21.	GENERATOR		
22.	OUTPUT SHAFT		
23.	PANEL		
24.	GASKET SET & TOOL(OPTIONAL)		

Fig.1. CYLINDER BLOCK



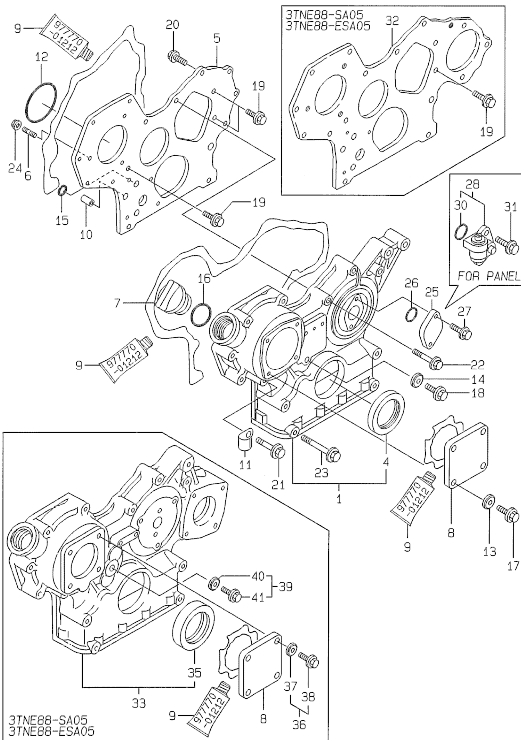
(A)=3TNE88-SA  
(B)=3TNE88-G1A01  
(C)=3TNE88-ESA

(D)=3TNE88C-G1A  
(E)=3TNE88C-EG1A  
(F)=

No.	Lev.	Parts No.	Description	Q'ty						I	R
				(A)	(B)	(C)	(D)	(E)	(F)		
1	1	729001-01560	BLOCK ASSY, CYLINDER	1	1	1	1	1			
5	2	124160-01910	PLUG, PT1/4	3	3	3	3	3			
6	2	171051-01921	PLUG, NPTF1	1	1	1	1	1			
7	2	129150-02020	BOLT, METAL CAP	8	8	8	8	8			
10	2	129795-02411	BUSH, CAMSHAFT	1	1	1	1	1			
11	2	23871-010000	PLUG, R01	1	1	1	1	1			
11-1	2	23876-010000	PLUG, R01	1	1	1	1	1		N	
		(A=E-XXXX)	(B=E-XXXX)	(C=E-XXXX)	(D=E-XXXX)	(E=E-XXXX)					
12	2	27231-500000	PLUG 50	1	1	1	1	1			
12-1	2	129001-01250	PLUG, 50	1	1	1	1	1		N	
		(A=E-XXXX)	(B=E-XXXX)	(C=E-XXXX)	(D=E-XXXX)	(E=E-XXXX)					
13	2	27241-120000	PLUG, 12	2	2	2	2	2			
14	2	27241-300000	PLUG 30	6	6	6	6	6			
24	2	129001-02930	BEARING, MAIN	4	4	4	4	4		3	
27	2	129150-02930	BEARING, THRUST	2	2	2	2	2			
30	1	129150-01200	BOLT, HEAD	14	14	14	14	14			
31	1	129001-01340	GASKET, HEAD	1	1	1	1	1			
32	1	129150-02870	BEARING, 0.25 US	4	4	4	4	4		1	
35	1	129150-02940	BEARING, THRUST 0.25	1	1	1	1	1		2	

Remarks  
 (1) UNDER-SIZE(U.S=0.25)PART.  
 (2) OVER-SIZE(O.S=0.25)PART.  
 (3) REPAIR PART.

Fig.2. GEAR HOUSING



(A)=3TNE88-SA  
(B)=3TNE88-G1A01  
(C)=3TNE88-ESA

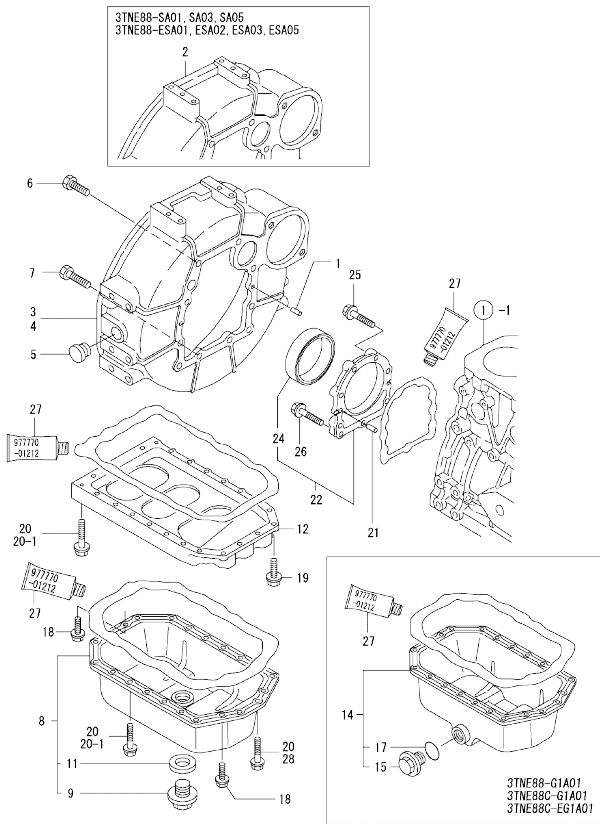
(D)=3TNE88C-G1A  
(E)=3TNE88C-EG1A  
(F)=

No.	Lev.	Parts No.	Description	Qty						I	R
				(A)	(B)	(C)	(D)	(E)	(F)		
1	1	719810-01500	CASE ASSY, GEAR	1	1	1	1	1	1		
4	2	129795-01800	SEAL, OIL	1	1	1	1	1	1		
5	1	129400-01520	FLANGE, GEAR CASE	1	1	1	1	1	1		
6	1	121450-01560	STUD, M8X22	3	3	3	3	3	3		
7	1	124160-01751	COVER, FILLER	1	1	1	1	1	1		
8	1	124240-01871	COVER	1	1	1	1	1	1		
9	1	977770-01212	GASKET, LIQUID	1	1	1	1	1	1		3
10	1	129795-01950	PIPE, KNOCK L=18	2	2	2	2	2	2		
11	1	129150-03100	RETAINER, PIPE	1	1	1	1	1	1		
12	1	121850-51960	O-RING	1	1	1	1	1	1		
13	1	22190-080002	WASHER, SEAL 6	4	4	4	4	4	4		
14	1	22190-080002	WASHER, SEAL 6	1	1	1	1	1	1		
15	1	24311-000160	O-RING, 1AP16.0	2	2	2	2	2	2		
16	1	24311-000320	O-RING, 1AP32.0	1	1	1	1	1	1		
17	1	26106-080122	BOLT, M8X 12 PLATED	4	4	4	4	4	4		
18	1	26106-080162	BOLT, M8X 16 PLATED	1	1	1	1	1	1		
19	1	26106-080162	BOLT, M8X 16 PLATED	3	3	3	3	3	3		
20	1	26106-080202	BOLT, M8X 20 PLATED	2	2	2	2	2	2		
21	1	26106-080452	BOLT, M8X 45 PLATED	6	6	6	6	6	6		
22	1	26106-080552	BOLT, M8X 55 PLATED	3	3	3	3	3	3		
23	1	129001-91841	BOLT, M8X85	4	4	4	4	4	4		
24	1	26366-080002	NUT, M8	3	3	3	3	3	3		
25	1	121023-01550	COVER	1	1	1	1	1	1		
26	1	24341-000240	O-RING, 1AS24.0	1	1	1	1	1	1		
27	1	26106-060162	BOLT, M6X 16 PLATED	2	2	2	2	2	2		
28	1	129150-91400	GEAR	1	1	1	1	1	1		1
30	2	24341-000240	O-RING, 1AS24.0	1	1	1	1	1	1		1
31	1	26106-060162	BOLT, M6X 16 PLATED	2	2	2	2	2	2		1
32	1	171353-01520	FLANGE, GEAR CASE	1	1	1	1	1	1		2
33	1	171353-01580	CASE ASSY, GEAR	1	1	1	1	1	1		2
35	2	129795-01800	SEAL, OIL	1	1	1	1	1	1		2
36	1	124550-01590	BOLT, M8X16	4	4	4	4	4	4		2
37	2	22190-080003	WASHER, SEAL 8	4	4	4	4	4	4		2
38	2	26106-080162	BOLT, M8X 16 PLATED	4	4	4	4	4	4		2
39	1	124550-01590	BOLT, M8X16	1	1	1	1	1	1		2
40	2	22190-080003	WASHER, SEAL 8	1	1	1	1	1	1		2
41	2	26106-080162	BOLT, M8X 16 PLATED	1	1	1	1	1	1		2

Remarks

- (1) FOR PANEL.
- (2) FOR(SA05)(ESA05).
- (3) OPTIONAL PART.

Fig.3. FLYWHEEL HOUSING & OIL SUMP



(A)=3TNE88-SA  
(B)=3TNE88-G1A01  
(C)=3TNE88-ESA

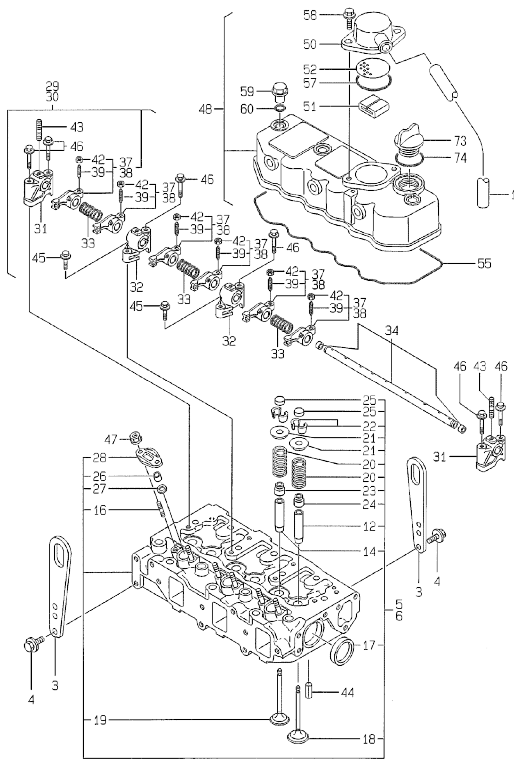
(D)=3TNE88C-G1A  
(E)=3TNE88C-EG1A  
(F)=

No.	Lev.	Parts No.	Description	Qty						I	R
				(A)	(B)	(C)	(D)	(E)	(F)		
1	1	129100-01580	PIN, M8X16	2	2	2	2	2			
2	1	119888-01600	HOUSING, FLYWHEEL	1		1					
3	1	129612-01600	HOUSING, FLYWHEEL	1		1					1
4	1	171420-01600	HOUSING, FLYWHEEL		1		1	1			
5	1	119620-01750	CAP	1	1	1	1	1			
6	1	26206-100252	BOLT, M10X 25 PLATED	6	6	6	6	6			
7	1	26206-100302	BOLT, M10X 30 PLATED	4	4	4	4	4			
8	1	729102-01540	SUMP ASSY, OIL	1	1	1	1	1			
9	2	119640-01640	PLUG, DRAIN M22	1	1	1	1	1			
11	2	22190-220002	WASHER, SEAL 22	1	1	1	1	1			
12	1	129100-01730	SPACER, OIL SUMP	1	1	1	1	1			
14	1	129100-01760	SUMP ASSY, OIL			1	1	1			
15	2	171301-01640	PLUG, 22		1	1	1	1			2
17	2	24341-000250	O-RING, 1AS25.0		1	1	1	1			2
18	1	26106-080162	BOLT, M8X 16 PLATED	4	4	4	4	4			
19	1	26106-080252	BOLT, M8X 25 PLATED	2	2	2	2	2			
20	1	26106-080452	BOLT, M8X 45 PLATED	20	20	20	20	20			
20-1	1	26106-080452	BOLT, M8X 45 PLATED	16	16	16	16	16			K
(A=FROM 1ST) (B=FROM 1ST) (C=FROM 1ST) (D=EXXXXX) (E=EXXXXX)											
21	1	129100-01580	PIN, M8X16	2	2	2	2	2			
22	1	129100-01640	CASE ASSY, OIL SEAL	1	1	1	1	1			
24	2	129795-01780	SEAL, OIL	1	1	1	1	1			
25	1	129486-01670	BOLT, M8X30	6	6	6	6	6			
26	1	26106-080352	BOLT, M8X 35 PLATED	3	3	3	3	3			
27	1	977770-01212	GASKET, LIQUID	1	1	1	1	1			3
28	1	26106-080502	BOLT, M8X 50 PLATED	4	4	4	4	4			W
(A=FROM 1ST) (B=FROM 1ST) (C=FROM 1ST) (D=EXXXXX) (E=EXXXXX)											

Remarks

- (1) FOR(SA04)(ESA04).
- (2) FOR(C-G1A01)(C-EG1A01).
- (3) OPTIONAL PART.

Fig.4. CYLINDER HEAD & BONNET



(A)=3TNE88-SA  
(B)=3TNE88-G1A01  
(C)=3TNE88-ESA

(D)=3TNE88C-G1A  
(E)=3TNE88C-EG1A  
(F)=

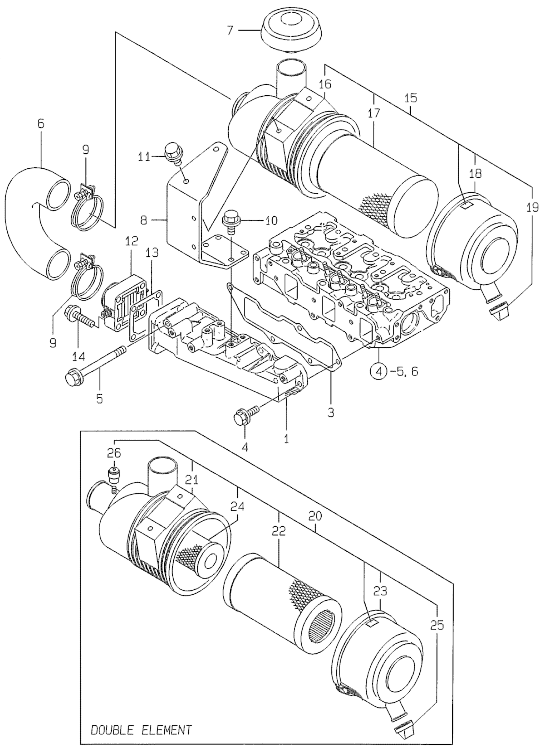
No.	Lev.	Parts No.	Description	Q'ty						I	R
				(A)	(B)	(C)	(D)	(E)	(F)		
1	1	171350-03090	PIPE , BREATHER 900	1	1	1	1	1			
3	1	129900-07900	LIFTER	2	2	2	2	2			
4	1	26106-080162	BOLT, M8X 16 PLATED	4	4	4	4	4			
5	1	129001-11700	HEAD ASSY, CYLINDER	1	1			1	1		
6	1	129051-11700	HEAD ASSY, CYLINDER					1			
12	2	120130-11860	GUIDE, VALVE	3	3	3	3	3		1	
14	2	129150-11810	GUIDE, VALVE	3	3	3	3	3		1	
16	2	26216-060202	STUD, M6X 20	6	6	6	6	6			
17	2	27241-400000	PLUG, 40	2	2	2	2	2			
18	2	129100-11100	VALVE, INTAKE	3	3	3	3	3			
19	2	129100-11110	VALVE, EXHAUST	3	3	3	3	3			
20	2	129795-11120	SPRING, VALVE	6	6	6	6	6			
21	2	129795-11180	RETAINER, SPRING	6	6	6	6	6			
22	2	27310-080001	COTTER, 8	6	6	6	6	6			
23	2	121400-11340	SEAL, VALVE STEM	3	3	3	3	3			
24	2	124460-11340	SEAL, VALVE STEM	3	3	3	3	3			
25	2	129150-11370	CAP, VALVE	6	6	6	6	6			
26	2	119625-11870	PROTECTOR, NOZZLE	3	3	3	3	3			
27	2	119625-11880	SEAT, NOZZLE	3	3	3	3	3			
28	2	119625-11900	RETAINER, NOZZLE	3	3	3	3	3			
29	1	129155-11241	SHAFT ASSY, ROCKER	1		1					
30	1	129100-11240	SHAFT ASSY, ROCKER		1		1	1			
31	2	129155-11260	SUPPORT, ROCKER ARM	2	2	2	2	2			
32	2	129155-11270	SUPPORT, ROCKER ARM	2	2	2	2	2			
33	2	129150-11280	SPRING	3	3	3	3	3			
34	2	129150-11290	SHAFT, ROCKER ARM	1	1	1	1	1			
37	2	729402-11650	ARM ASSY, ROCKER	6		6					
38	2	129100-11650	ARM, ROCKER		6		6	6			
39	3	129150-11230	SCREW, VALVE ADJUST	6	6	6	6	6			
42	3	129150-11750	NUT, M8	6	6	6	6	6			
43	2	26226-080182	STUD, M8X 18	3	3	3	3	3			
44	1	22351-060012	PIN, SPRING 6.0X12	2	2	2	2	2			
45	1	26106-080252	BOLT, M8X 25 PLATED	2	2	2	2	2			
46	1	26106-080502	BOLT, M8X 50 PLATED	6	6	6	6	6			
47	1	26366-060002	NUT, M6	6	6	6	6	6			
48	1	729132-11521	BONNET ASSY, HEAD	1	1	1	1	1			
50	2	129150-03020	COVER, BREATHER	1	1	1	1	1			
51	2	129150-03070	BAFFLE, BREATHER	1	1	1	1	1			
52	2	129150-03080	PLATE, BAFFLE	1	1	1	1	1			
55	2	129150-11310	GASKET, BONNET	1	1	1	1	1			
57	2	24341-000500	O-RING, 1AS50.0	1	1	1	1	1			
58	2	26106-080162	BOLT, M8X 16 PLATED	2	2	2	2	2			
59	1	124160-11360	KNOB	3	3	3	3	3			
60	1	24311-000120	O-RING, 1AP12.0	3	3	3	3	3			
73	1	124160-01751	COVER, FILLER	1	1	1	1	1			
74	1	24311-000320	O-RING, 1AP32.0	1	1	1	1	1			

Remarks  
(1) REPAIR PART.



Fig.5. SUCTION MANIFOLD & AIR CLEANER

(A)=3TNE88-SA  
 (B)=3TNE88-G1A01  
 (C)=3TNE88-ESA  
 (D)=3TNE88C-G1A  
 (E)=3TNE88C-EG1A  
 (F)=

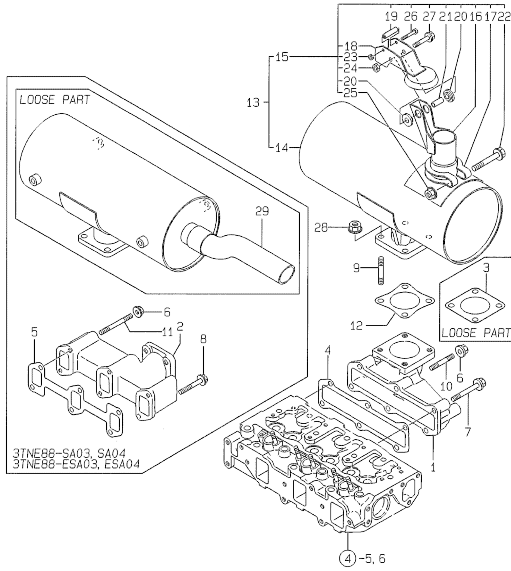


No.	Lev.	Parts No.	Description	Qty						I	R
				(A)	(B)	(C)	(D)	(E)	(F)		
1	1	129001-12100	MANIFOLD, AIR INTAKE	1	1	1	1	1			
3	1	129001-12110	GASKET, MANIFOLD	1	1	1	1	1			
4	1	26106-080202	BOLT, M8X 20 PLATED	4	4	4	4	4			
5	1	26106-080802	BOLT, M8X 80 PLATED	1	1	1	1	1			
6	1	129619-12210	PIPE, AIR INTAKE	1	1	1	1	1			
7	1	121521-12400	CAP, RAIN	1	1	1	1	1			
8	1	129608-12560	BRACKET, AIR CLEANER	1	1	1	1	1			
9	1	23000-060000	CLAMP, 60	2	2	2	2	2			
10	1	26106-080182	BOLT, M8X 18 PLATED	4	4	4	4	4			
11	1	26106-080182	BOLT, M8X 18 PLATED	2	2	2	2	2			
12	1	129120-77501	HEATER	1	1	1	1	1			
13	1	129150-77511	GASKET	1	1	1	1	1			
14	1	26106-080352	BOLT, M8X 35 PLATED	4	4	4	4	4			
15	1	129608-12501	CLEANER ASSY, AIR	1	1	1	1	1		1	
16	2	129608-12511	BODY, AIR CLEANER	1	1	1	1	1		1	
17	2	119808-12520	ELEMENT	1	1	1	1	1		1	
18	2	119808-12530	COVER	1	1	1	1	1		1	
19	2	119808-12540	VALVE, UNLOADER	1	1	1	1	1		1	
20	1	119822-12500	CLEANER ASSY, AIR	1	1	1	1	1		2	
21	2	119822-12510	BODY, AIR CLEANER	1	1	1	1	1		2	
22	2	119808-12520	ELEMENT	1	1	1	1	1		2	
23	2	119808-12530	COVER	1	1	1	1	1		2	
24	2	129051-12530	ELEMENT	1	1	1	1	1		2	
25	2	119808-12540	VALVE, UNLOADER	1	1	1	1	1		2	
26	2	126650-12680	INDICATOR	1	1	1	1	1		2	

Remarks  
 (1) FOR SINGLE ELEMENT.  
 (2) FOR DOUBLE ELEMENT.

N:Old  $\frac{100}{100}$  New, Q:Old  $\frac{100}{100}$  New, R:Old  $\frac{100}{100}$  New, S:Old  $\frac{100}{100}$  New, W:Add, Z:Discontinued, F:Interchangeable by set, K:Qty Change  
 Copyright (C) YANMAR CO., LTD. All Rights Reserved.

Fig.6. EXHAUST MANIFOLD & SILENCER



(A)=3TNE88-SA  
(B)=3TNE88-G1A01  
(C)=3TNE88-ESA

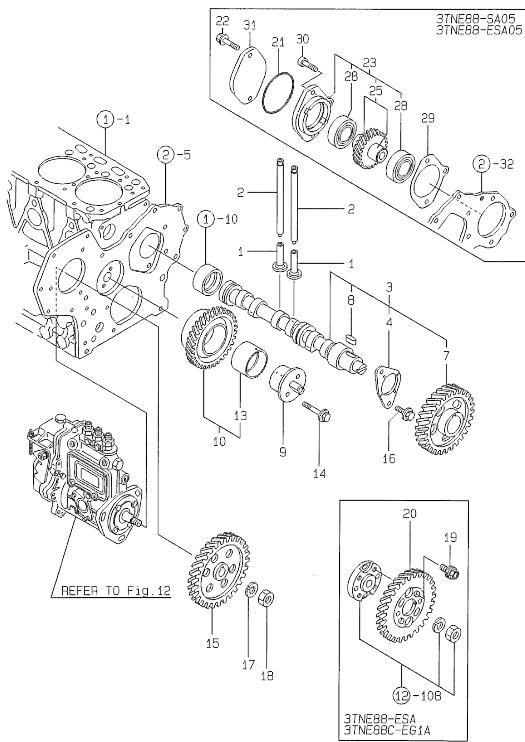
(D)=3TNE88C-G1A  
(E)=3TNE88C-EG1A  
(F)=

No.	Lev.	Parts No.	Description	Qty						I	R
				(A)	(B)	(C)	(D)	(E)	(F)		
1	1	129001-13100	MANIFOLD, EXHAUST	1	1	1	1	1		1	
2	1	129100-13110	MANIFOLD, EXHAUST	1		1					2
3	1	124701-11911	GASKET, SILENCER	1	1	1	1	1			3
4	1	129001-13110	GASKET	1	1	1	1	1			1
5	1	129150-13110	GASKET	1		1					2
6	1	26366-080002	NUT, M8	2	2	2	2	2			
7	1	26106-080402	BOLT, M8X 40 PLATED	4	4	4	4	4			1
8	1	26106-080802	BOLT, M8X 80 PLATED	4		4					2
9	1	119131-18320	STUD, M8X22	4	4	4	4	4			
10	1	26216-080402	STUD, M8X 40	2	2	2	2	2			1
11	1	26216-080802	STUD, M8X 80	2		2					2
12	1	121000-13201	GASKET, SILENCER	1	1	1	1	1			
12-1	1	124701-11911	GASKET, SILENCER	1	1	1	1	1			N
		(A=E27042)	(B=E27583)	(C=E26077)	(D=E26486)	(E=E28462)					
13	1	119620-13501	SILENCER	1	1	1	1	1			1
14	2	119620-13510	SILENCER ASSY	1	1	1	1	1			1
15	2	119620-13520	PIPE ASSY, TAIL	1	1	1	1	1			1
16	3	119620-13560	PIPE, TAIL	1	1	1	1	1			1
17	3	124664-13580	CLAMP	1	1	1	1	1			1
18	3	119358-13640	CAP, RAIN	1	1	1	1	1			1
19	3	121855-13821	SPACER, A	1	1	1	1	1			1
20	3	121855-13830	SPACER, B	2	2	2	2	2			1
21	3	123500-13840	SPACER, C	1	1	1	1	1			1
22	3	26106-080552	BOLT, M8X 55 PLATED	1	1	1	1	1			1
23	3	26347-040002	NUT, M4	1	1	1	1	1			1
24	3	26347-060002	NUT, M6	1	1	1	1	1			1
25	3	26366-080002	NUT, M8	1	1	1	1	1			1
25-1	3	26306-080002	NUT, M8	1	1	1	1	1			N 1
		(A=E-XXXX)	(B=E-XXXX)	(C=E-XXXX)	(D=E-XXXX)	(E=E-XXXX)					
26	3	26557-040352	SCREW, M4X35	1	1	1	1	1			1
27	3	26106-060402	BOLT, M6X 40 PLATED	1	1	1	1	1			1
28	1	26366-080002	NUT, M8	4	4	4	4	4			1
28-1	1	26306-080002	NUT, M8	4	4	4	4	4			N
		(A=E-XXXX)	(B=E-XXXX)	(C=E-XXXX)	(D=E-XXXX)	(E=E-XXXX)					
29	1	119888-13502	SILENCER	1		1					2

Remarks

- (1) FOR(SA01)(SA05)(ESA01)(ESA02)(ESA05).
- (2) FOR(SA03)(SA04)(ESA03)(ESA04).
- (3) LOOSE PART.

Fig.7. CAMSHAFT & DRIVING GEAR



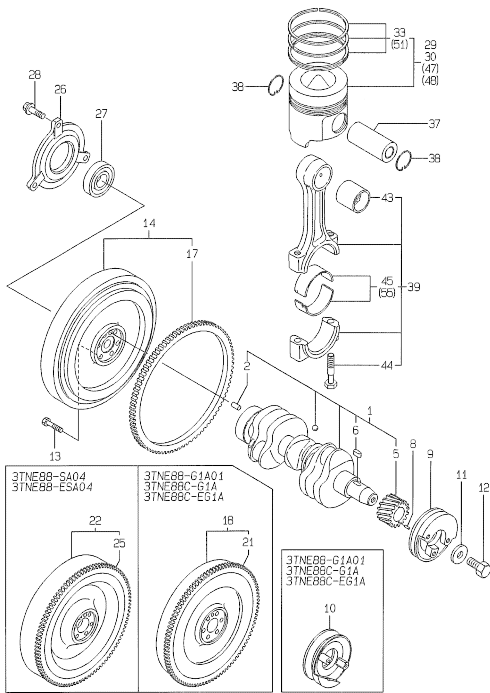
(A)=3TNE88-SA  
(B)=3TNE88-G1A01  
(C)=3TNE88-ESA

(D)=3TNE88C-G1A  
(E)=3TNE88C-EG1A  
(F)=

No.	Lev.	Parts No.	Description	Q'ty						I	R
				(A)	(B)	(C)	(D)	(E)	(F)		
1	1	129150-14200	TAPPET	6	6	6	6	6			
2	1	129150-14400	ROD, PUSH L=178	6	6	6	6	6			
3	1	129129-14580	CAMSHAFT ASSY	1	1	1	1	1			
4	2	129150-02450	BEARING, THRUST	1	1	1	1	1			
7	2	129150-14101	GEAR, CAMSHAFT	1	1	1	1	1			
8	2	22512-070140	KEY, 7X 14	1	1	1	1	1			
9	1	129100-25061	SHAFT, IDLE	1	1	1	1	1			
10	1	129150-25101	GEAR ASSY, IDLE	1	1	1	1	1			
13	2	129150-25920	BUSH, IDLE GEAR	1	1	1	1	1		1	
14	1	26106-080452	BOLT, M8X 45 PLATED	2	2	2	2	2			
15	1	129150-25900	GEAR, PUMP	1	1			1			
16	1	26106-080142	BOLT, M8X 14 PLATED	2	2	2	2	2			
17	1	22217-120000	WASHER, SPRING 12	1	1			1			
18	1	26716-120002	NUT, M12	1	1			1			
19	1	129150-25301	BOLT			4			4		
20	1	129150-25931	GEAR, PUMP			1			1		
21	1	24321-000850	O-RING, 1AG85.0	1	1					2	
22	1	26106-100452	BOLT, M10X 45 PLATED	2	2					2	
23	1	171353-26000	PTO ASSY	1	1					2	
25	2	171353-26200	GEAR ASSY	1	1					2	
28	2	24105-060064	BEARING, BALL 6006Z	2	2					2	
29	1	171353-26081	GASKET	1	1					2	
30	1	26450-080282	BOLT, M8X 28	1	1					2	
31	1	121023-26070	COVER	1	1					2	

Remarks  
(1) REPAIR PART.  
(2) FOR(SA05)(ESA05).

Fig.8. CRANKSHAFT & PISTON



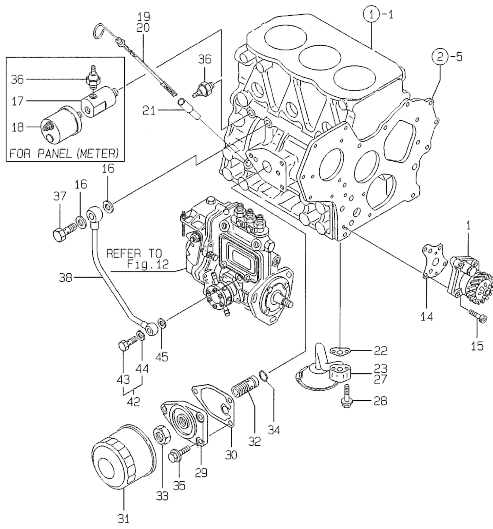
(A)=3TNE88-SA  
(B)=3TNE88-G1A01  
(C)=3TNE88-ESA

(D)=3TNE88C-G1A  
(E)=3TNE88C-E01A  
(F)=

No.	Lev.	Parts No.	Description	Qty						I	R
				(A)	(B)	(C)	(D)	(E)	(F)		
1	1	129001-21100	CRANKSHAFT ASSY	1	1	1	1	1			
2	2	129100-01580	PIN, M8X16	1	1	1	1	1			
5	2	129150-21200	GEAR, CRANKSHAFT	1	1	1	1	1			
6	2	22512-070140	KEY, 7X 14	1	1	1	1	1			
8	1	22351-040010	PIN, SPRING 4.0X10	1	1	1	1	1			
9	1	171340-21650	V-PULLEY	1		1					
10	1	129150-21650	V-PULLEY		1		1	1			
11	1	129795-21661	WASHER	1	1	1	1	1			
12	1	121850-21680	BOLT	1	1	1	1	1			
13	1	121111-21501	BOLT, FLYWHEEL	6	6	6	6	6			
14	1	129188-21590	FLYWHEEL ASSY	1		1				1	
17	2	119865-21600	GEAR, RING	1		1				1	
18	1	171340-21590	FLYWHEEL ASSY		1		1	1			
21	2	124550-21600	GEAR, RING		1		1	1			
22	1	171340-21580	FLYWHEEL ASSY	1		1				2	
25	2	119865-21600	GEAR, RING	1		1				2	
26	1	119888-21450	RETAINER, BEARING	1		1				1	
27	1	24104-062054	BEARING, BALL 6205UU	1		1				1	
28	1	26106-080222	BOLT, M8X 22 PLATED	3		3				1	
29	1	129001-22081	PISTON ASSY	3	3			3	3		
30	1	129001-22070	PISTON ASSY			3					
33	2	129001-22500	RING SET, PISTON	3	3	3	3	3			
37	1	129202-22300	PIN, PISTON D26 L70	3	3	3	3	3			
38	1	22252-000260	RING, 26	6	6	6	6	6			
39	1	729402-23100	ROD ASSY, CONNECTING	3	3	3	3	3			
43	2	129100-23910	BEARING, PISTON PIN	3	3	3	3	3		3	
44	2	121550-23200	BOLT, CONNECTING ROD	6	6	6	6	6			
45	2	129150-23600	BEARING, CRANK PIN	3	3	3	3	3			
47	1	129001-22901	PISTON ASSY, 0.25 OS	3	3			3	3	4	
48	1	129001-22930	PISTON ASSY, 0.25 OS			3				4	
51	2	129001-22950	RING SET, 0.25 OS	3	3	3	3	3		4	
55	1	129150-23610	BEARING, 0.25 US	3	3	3	3	3		5	

Remarks  
 (1) FOR(SA01)(SA03)(SA05)(ESA01)  
 (ESA02)(ESA03)(ESA05).  
 (2) FOR(SA04)(ESA04).  
 (3) REPAIR PART.  
 (4) OVER-SIZED(O.S=0.25)PART.  
 (5) UNDER-SIZED(U.S=0.25)PART.

Fig.9. LUB.OIL SYSTEM



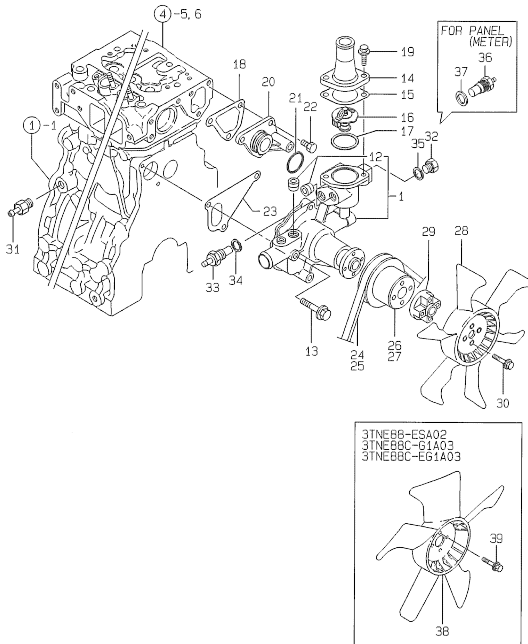
(A)=3TNE88-SA  
(B)=3TNE88-G1A01  
(C)=3TNE88-ESA  
(D)=3TNE88C-G1A  
(E)=3TNE88C-EG1A  
(F)=

No.	Lev.	Parts No.	Description	Q'ty						I	R
				(A)	(B)	(C)	(D)	(E)	(F)		
1	1	129001-32001	PUMP ASSY, OIL	1	1	1	1	1			
14	1	129150-32020	GASKET, PUMP	1	1	1	1	1			
15	1	26450-060252	BOLT, M6X 25	4	4	4	4	4			
16	1	22190-100002	WASHER, SEAL 10	2	2	2	2	2			
17	1	171375-39601	DAMPER, 1/8	1	1	1	1	1		1	
18	1	144626-91560	SENSOR	1	1	1	1	1		1	
19	1	171420-34800	DIPSTICK, OIL	1	1	1	1	1		2	
20	1	129136-34800	DIPSTICK, OIL		1	1	1	1		3	
21	1	121520-34810	GUIDE, DIPSTICK	1	1	1	1	1			
22	1	129150-35041	GASKET	1	1	1	1	1			
23	1	129150-35091	PIPE ASSY, OIL INLET	1		1	1	1		2	
27	1	129100-35301	PIPE ASSY, OIL INLET		1		1	1		3	
28	1	26106-080352	BOLT, M8X 35 PLATED	2	2	2	2	2			
29	1	129150-35101	BRACKET, STRAINER	1	1	1	1	1			
30	1	129150-35111	GASKET	1	1	1	1	1			
31	1	129150-35151	FILTER, D80XL80	1	1	1	1	1			
32	1	129001-35300	BOLT, FILTER	1	1	1	1	1			
33	1	129150-35350	NUT	1	1	1	1	1			
34	1	24311-000160	O-RING, 1AP16.0	1	1	1	1	1			
35	1	26106-080202	BOLT, M8X 20 PLATED	3	3	3	3	3			
36	1	124160-39450	SWITCH, 0.5KG	1	1	1	1	1			
36-1	1	114250-39450	SWITCH, 0.5KG	1	1	1	1	1		N	
		(A=E27042)	(B=E27583)	(C=E27345)	(D=E27627)	(E=E28462)					
37	1	124160-39140	BOLT, PIPE JOINT M10	1	1	1	1	1			
38	1	129150-39450	PIPE ASSY, OIL	1	1	1	1	1			
42	1	124550-59830	BOLT ASSY, JOINT M8	1	1	1	1	1			
43	2	124550-59820	BOLT, PIPE JOINT M8	1	1	1	1	1			
44	2	22190-080002	WASHER, SEAL 6	1	1	1	1	1			
45	1	22190-080002	WASHER, SEAL 6	1	1	1	1	1			

Remarks

- (1) FOR PANEL(METER).
- (2) FOR(C-G1A02)(C-G1A03)(C-EG1A02)(C-EG1A03).
- (3) FOR(C-G1A01)(C-EG1A01).

Fig.10. COOLING WATER SYSTEM



(A)=3TNE88-SA  
(B)=3TNE88-G1A01  
(C)=3TNE88-ESA

(D)=3TNE88C-G1A  
(E)=3TNE88C-EG1A  
(F)=

No.	Lev.	Parts No.	Description	Q'ty						I	R
				(A)	(B)	(C)	(D)	(E)	(F)		
1	1	129001-42002	PUMP ASSY, WATER	1	1	1	1	1	1		
1-1	1	129001-42003	PUMP ASSY, WATER	1	1	1	1	1	1	N	
		(A=E22540) (B=E22264) (C=E22957) (D=E22841) (E=E28462)									
12	2	23871-030000	PLUG, R03	2	2	2	2	2	2		
12-1	2	23876-030000	PLUG, R03	2	2	2	2	2	2	N	
		(A=E22540) (B=E22264) (C=E22957) (D=E22841) (E=E28462)									
13	1	26106-080602	BOLT, M8X 60 PLATED	3	3	3	3	3	3		
14	1	129350-49560	COVER, THERMOSTAT	1	1	1	1	1	1		
15	1	129795-49551	GASKET	1	1	1	1	1	1		
16	1	129155-49800	THERMOSTAT, 71	1	1	1	1	1	1		
17	1	129150-49811	GASKET, THERMOSTAT	1	1	1	1	1	1		
18	1	129100-49840	GASKET	1	1	1	1	1	1		
18-1	1	124395-49840	GASKET	1	1	1	1	1	1	N	
		(A=E29808) (B=E30534) (C=E29809) (D=E27628) (E=E30105)									
19	1	26106-080202	BOLT, M8X 20 PLATED	2	2	2	2	2	2		
20	1	129001-42040	JOINT	1	1	1	1	1	1		
21	1	24321-000300	O-RING, 1AG30.0	1	1	1	1	1	1		
21-1	1	129486-42140	O-RING, G30	1	1	1	1	1	1	N	
		(A=E23931) (B=E24588) (C=E24738) (D=E23655) (E=E28462)									
22	1	26106-080162	BOLT, M8X 16 PLATED	3	3	3	3	3	3		
23	1	129100-42020	GASKET, WATER PUMP	1	1	1	1	1	1		
23-1	1	129486-42021	GASKET, WATER PUMP	1	1	1	1	1	1	N	
		(A=E22540) (B=E22264) (C=E22957) (D=E22841) (E=E28462)									
24	1	25132-003700	V-BELT, A37	1	1	1	1	1	1		1
25	1	25132-003800	V-BELT, A38	1	1	1	1	1	1		
26	1	129403-42380	V-PULLEY, D=110	1	1	1	1	1	1		
27	1	129155-42350	V-PULLEY	1	1	1	1	1	1		
28	1	171340-44740	FAN, COOLING D335XNF	1	1	1	1	1	1		
29	1	171353-44760	SPACER, FAN	1	1	1	1	1	1		
30	1	26106-060352	BOLT, M6X 35 PLATED	4	4	4	4	4	4		
31	1	121550-49111	JOINT, PT1/4	1	1	1	1	1	1		
32	1	121450-42450	PLUG, M16	1	1	1	1	1	1		
33	1	121250-44901	SWITCH, 110	1	1	1	1	1	1		
34	1	124465-44950	GASKET, 16	1	1	1	1	1	1		
35	1	124465-44950	GASKET, 16	1	1	1	1	1	1		
36	1	124250-49351	SENSOR	1	1	1	1	1	1		2
37	1	129150-49360	GASKET	1	1	1	1	1	1		2
38	1	129335-44740	FAN, COOLING D335	1	1	1	1	1	1		3
39	1	26014-060402	BOLT, M6X 40	4	4	4	4	4	4		3

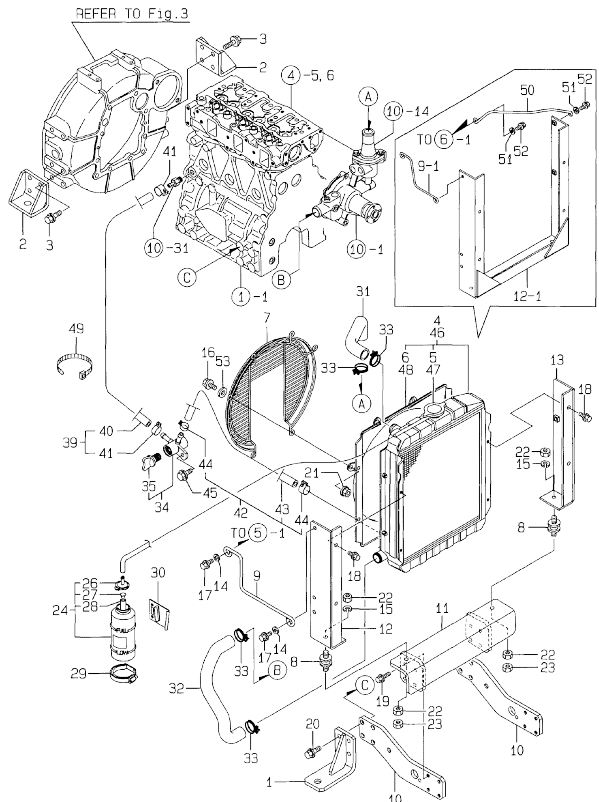
Remarks

- (1) FOR(SA05)(ESA05).
- (2) FOR PANEL(METER).
- (3) FOR(ESA02)(C-G1A03)(C-EG1A03).

Fig.11. RADIATOR

(A)=3TNE88-SA  
(B)=3TNE88-G1A01  
(C)=3TNE88-ESA  
(D)=3TNE88C-G1A  
(E)=3TNE88C-EG1A  
(F)=

图号: 000Y00R5240-1  
图号: 2002.09  
REVISED: Sep., 2002



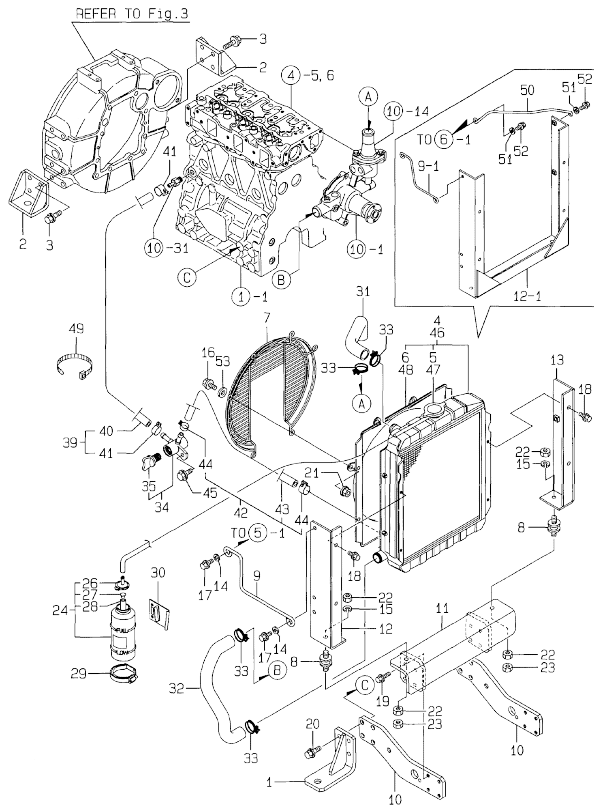
No.	Lev.	Parts No.	Description	Qty						I	R
				(A)	(B)	(C)	(D)	(E)	(F)		
1	1	129188-08100	FOOT		2	2	2	2	2		
2	1	119888-08110	FOOT		2	2	2	2	2		
3	1	26106-100202	BOLT, M10X 20 PLATED		8	8	8	8	8		
4	1	129120-44500	RADIATOR		1				1		
5	2	119259-44570	CAP, RADIATOR		1				1		
6	2	X2411367340	SHROUD		1				1		
7	1	129120-44560	PROTECTOR, FAN		1	1	1	1	1		
8	1	121400-44650	ABSORBER		2	2	2	2	2		
9	1	129211-44940	RETAINER, RADIATOR		1	1	1	1	1		
9-1	1	129219-44941	RETAINER, RADIATOR		1	1	1	1	1		N
		(A=E38843)	(B=E38442)	(C=E38517)	(D=E26689)	(E=E38163)					
10	1	129188-44950	BRACKET		2	2	2	2	2		
11	1	129188-44960	BRACKET, RADIATOR		1	1	1	1	1		
12	1	129188-44970	SUPPORT, A		1	1	1	1	1		
12-1	1	129219-44971	SUPPORT, A		1	1	1	1	1		N
		(A=E38843)	(B=E38442)	(C=E38517)	(D=E26689)	(E=E38163)					
13	1	129188-44980	SUPPORT, B		1	1	1	1	1		Z
		(A=E38843)	(B=E38442)	(C=E38517)	(D=E26689)	(E=E38163)					
14	1	22137-080000	WASHER, 8		2	2	2	2	2		
15	1	22217-100000	WASHER, SPRING 10		2	2	2	2	2		
16	1	26106-080122	BOLT, M8X 12 PLATED		6	6	6	6	6		
16-1	1	26106-080142	BOLT, M8X 14 PLATED		6	6	6	6	6		N
		(A=E38843)	(B=E38442)	(C=E38517)	(D=E26689)	(E=E38163)					
17	1	26106-080162	BOLT, M8X 16 PLATED		2	2	2	2	2		
18	1	26106-080202	BOLT, M8X 20 PLATED		4	4	4	4	4		
19	1	26106-080252	BOLT, M8X 25 PLATED		8	8	8	8	8		
20	1	26106-100302	BOLT, M10X 30 PLATED		8	8	8	8	8		
21	1	26366-080002	NUT, M8		6	6	6	6	6		
21-1	1	26306-080002	NUT, M8		6	6	6	6	6		N
		(A=E38843)	(B=E38442)	(C=E38517)	(D=E26689)	(E=E38163)					
22	1	26716-100002	NUT, M10		4	4	4	4	4		
23	1	26756-100002	NUT, LOCK M10		2	2	2	2	2		
24	1	124450-44510	TANK ASSY, SUB		1	1	1	1	1		
26	2	124450-44530	CAP		1	1	1	1	1		
27	2	124450-44560	RETAINER		1	1	1	1	1		
28	2	23061-070230	PIPE, 7X 230		1	1	1	1	1		
29	1	124450-44550	BAND		1	1	1	1	1		
30	1	121256-44600	BRACKET, SUB TANK		1	1	1	1	1		
31	1	171301-49010	PIPE, WATER		1	1	1	1	1		
32	1	129211-49020	PIPE, WATER		1	1	1	1	1		
33	1	23010-038000	CLAMP, 38		4	4	4	4	4		
34	1	129150-49100	COCK ASSY, 3-WAY		1	1	1	1	1		
35	2	129150-49080	COCK, DRAIN		1	1	1	1	1		
39	1	119823-49100	PIPE, WATER		1	1	1	1	1		
40	2	119823-49010	PIPE, WATER		1	1	1	1	1		
41	2	124766-59050	CLIP, HOSE 12		2	2	2	2	2		
42	1	129209-49100	PIPE ASSY, WATER		1	1	1	1	1		
43	2	129209-49010	PIPE, WATER		1	1	1	1	1		
44	2	124766-59050	CLIP, HOSE 12		2	2	2	2	2		
45	1	26106-080162	BOLT, M8X 16 PLATED		1	1	1	1	1		
46	1	129420-44510	RADIATOR		1				1		

N:Old  $\frac{100}{100}$  New, Q:Old  $\frac{100}{100}$  New, R:Old  $\frac{100}{100}$  New, S:Old  $\frac{100}{100}$  New, W:Add, Z:Discontinued, F:Interchangeable by set, K:Qty Change  
 ++ CONTINUE ++  
 Copyright (C) YANMAR CO., LTD. All Rights Reserved.

Fig.11. RADIATOR

(A)=3TNE88-SA  
 (B)=3TNE88-G1A01  
 (C)=3TNE88-ESA  
 (D)=3TNE88C-G1A  
 (E)=3TNE88C-EG1A  
 (F)=

图号: 000Y00R5240-1  
 图号: 2002.09  
 REVISED: Sep., 2002

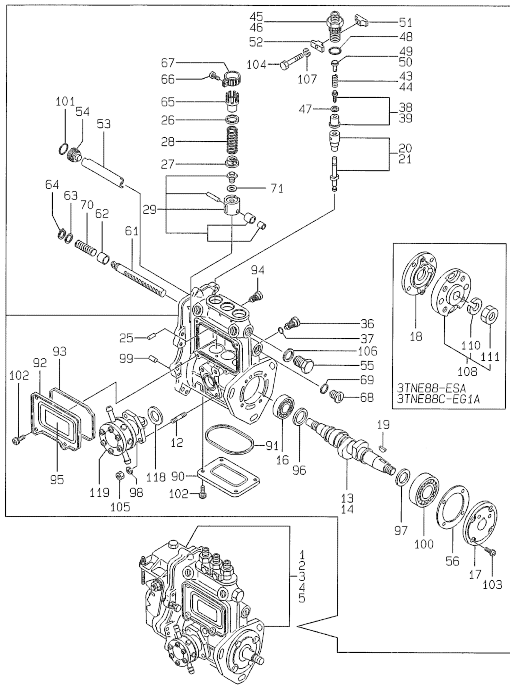


No.	Lev.	Parts No.	Description	Q'ty						I	R
				(A)	(B)	(C)	(D)	(E)	(F)		
47	2	119259-44570	CAP, RADIATOR		1		1	1			
48	2	X2411367340	SHROUD		1		1	1			
49	1	121750-59890	BAND, 140		1	1	1	1	1		
50	1	129219-44951	RETAINER, RADIATOR		1	1	1	1	1		W
		(A=E38843) (B=E38442) (C=E38517) (D=E26689)				(E=E38163)					
51	1	22157-060000	WASHER, 6		2	2	2	2	2		W
		(A=E38843) (B=E38442) (C=E38517) (D=E26689)				(E=E38163)					
52	1	26106-060142	BOLT, M6X 14 PLATED		2	2	2	2	2		W
		(A=E38843) (B=E38442) (C=E38517) (D=E26689)				(E=E38163)					
53	1	22137-080000	WASHER, 8		6	6	6	6	6		W
		(A=E38843) (B=E38442) (C=E38517) (D=E26689)				(E=E38163)					

N:Old  $\frac{New}{Old}$  New, Q:Old  $\frac{New}{Old}$  New, R:Old  $\frac{New}{Old}$  New, S:Old  $\frac{New}{Old}$  New, W:Add, Z:Discontinued, F:Interchangeable by set, K:Q'ty Change  
 Copyright (C) YANMAR CO., LTD. All Rights Reserved.



Fig.12. FUEL INJECTION PUMP



(A)=3TNE88-SA  
(B)=3TNE88-G1A01  
(C)=3TNE88-ESA

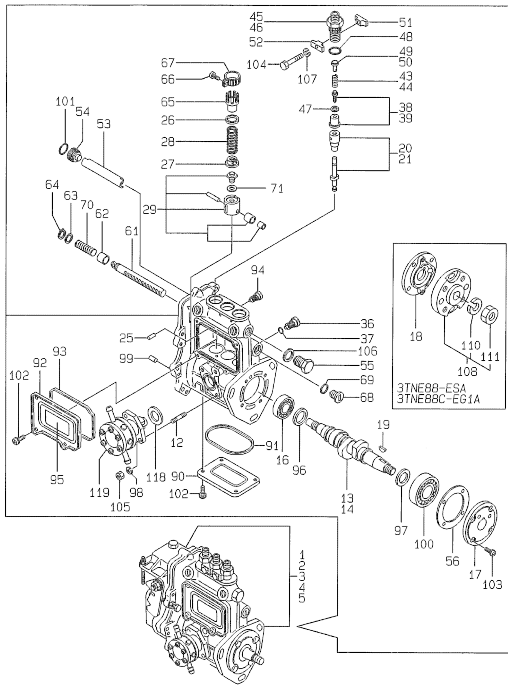
(D)=3TNE88C-G1A  
(E)=3TNE88C-EG1A  
(F)=

No.	Lev.	Parts No.	Description	Qty						I	R	
				(A)	(B)	(C)	(D)	(E)	(F)			
1	1	729209-51350	PUMP ASSY, INJECTION								1	
2	1	729209-51300	PUMP ASSY, INJECTION	1								1
3	1	729209-51460	PUMP ASSY, INJECTION		1							1
4	1	729209-51310	PUMP ASSY, INJECTION					1				1
5	1	729209-51470	PUMP ASSY, INJECTION							1		1
12	2	129155-51020	STUD	2	2	2	2	2				
13	2	119810-51040	CAMSHAFT	1	1			1	1			
14	2	129171-51040	CAMSHAFT				1					
16	2	129155-51050	BEARING, 17BM001D	1	1	1	1	1	1			
17	2	129155-51060	SUPPORT, CAMSHAFT	1	1			1				
18	2	129208-51060	SUPPORT				1			1		
19	2	122710-51090	KEY	1	1	1	1	1	1			
20	2	129470-51101	PLUNGER ASSY	3			3					
21	2	129506-51100	PLUNGER ASSY			3				3		
25	2	129155-51140	PIN	3	3	3	3	3	3			
26	2	174307-51170	RETAINER, SPRING A	3	3	3	3	3	3			
27	2	129155-51180	RETAINER, SPRING	3	3	3	3	3	3			
28	2	124950-51190	SPRING, PLUNGER	3	3	3	3	3	3			
29	2	129155-51200	TAPPET ASSY	3	3	3	3	3	3			
36	2	129155-51270	STOPPER, TAPPET	3	3	3	3	3	3			
37	2	129155-51280	O-RING, S6	3	3	3	3	3	3			
38	2	129100-51300	VALVE ASSY, DELIVERY	3	3			3	3			
39	2	129209-51300	VALVE ASSY, DELIVERY					3				
43	2	129155-51320	SPRING, DELIVERY	3	3				3	3		
44	2	129573-51330	SPRING, DELIVERY					3				
45	2	129155-51340	RETAINER	3	3				3	3		
46	2	129573-51340	RETAINER				3					
47	2	124550-51350	GASKET, DELIVERY	3	3	3	3	3	3			
48	2	124550-51370	O-RING	3	3	3	3	3	3			
49	2	129155-51370	STOPPER, VALVE	3	3			3	3			
50	2	129573-51370	STOPPER, VALVE					3				
51	2	129155-51380	STOPPER	2	2	2	2	2	2			
52	2	129155-51390	STOPPER	2	2	2	2	2	2			
53	2	129155-51400	DEFLECTOR	1	1	1	1	1	1			
54	2	129155-51410	BOLT	1	1	1	1	1	1			
55	2	129155-51420	PLUG, M16	1	1	1	1	1	1			
56	2	129155-51450	SHIM SET, ADJUSTING	1	1	1	1	1	1			
61	2	129155-51500	RACK, CONTROL	1	1	1	1	1	1			
62	2	129155-51521	BUSH, RACK	1	1	1	1	1	1			
63	2	129155-51530	SPACER	1	1	1	1	1	1			
64	2	129155-51540	CIRCLIP	1	1	1	1	1	1			
65	2	129155-51550	PINION, CONTROL	3	3	3	3	3	3			
66	2	122117-51560	SCREW	3	3	3	3	3	3			
67	2	174307-51560	PINION	3	3	3	3	3	3			
68	2	129155-51570	PLUG, M12	1	1	1	1	1	1			
69	2	129155-51580	O-RING	1	1	1	1	1	1			
70	2	129155-51591	SPRING, RACK	1	1	1	1	1	1			
71	2	129155-51600	SHIM SET, ADJUSTING	3	3	3	3	3	3			
90	2	129155-51700	COVER	1	1	1	1	1	1			
90-1	2	129155-51701	COVER	1	1	1	1	1	1			N

Remarks  
(1)GOVERNOR ASSY(FIG.13)IS  
INCORPORATED IN THIS FUEL  
INJECTION PUMP ASSY(REF.NO.1,2,3,  
4,5).

N:Old  $\frac{New}{Old}$  New. Q:Old  $\frac{New}{Old}$  New. R:Old  $\frac{New}{Old}$  New. S:Old  $\frac{New}{Old}$  New. W:Add. Z:Discontinued. F:Interchangeable by set. K:Qty Change  
++ CONTINUE ++  
Copyright (C) YANMAR CO., LTD. All Rights Reserved.

Fig.12. FUEL INJECTION PUMP



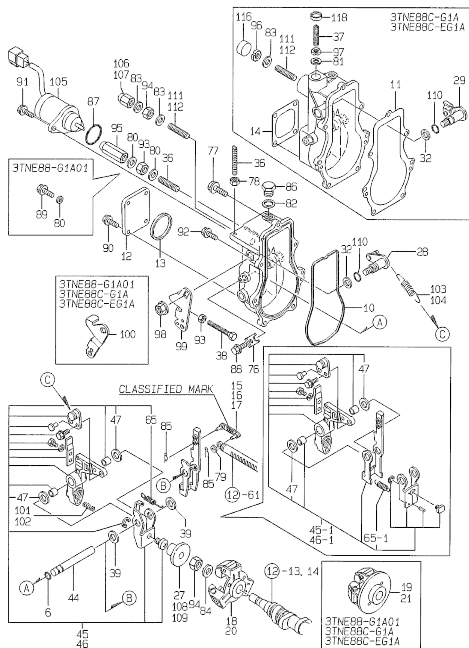
(A)=3TNE88-SA  
(B)=3TNE88-G1A01  
(C)=3TNE88-ESA

(D)=3TNE88C-G1A  
(E)=3TNE88C-EG1A  
(F)=

No.	Lev.	Parts No.	Description	Qty						I	R
				(A)	(B)	(C)	(D)	(E)	(F)		
91	2	129155-51710	GASKET	1	1	1	1	1			
91-1	2	129155-51711	GASKET	1	1	1	1	1		N	
		(A=E35277) (B=E35323) (C=E35972) (D=E27628) (E=E36098)									
92	2	129155-51750	COVER	1	1	1	1	1			
92-1	2	129155-51751	COVER	1	1	1	1	1		N	
		(A=E27885) (B=E28463) (C=E29809) (D=E27628) (E=E28462)									
93	2	129155-51760	GASKET	1	1	1	1	1			
94	2	129155-51790	STOOPER, RACK	1	1	1	1	1			
95	2	129156-51910	LABEL, CAUTION	1	1	1	1	1			
96	2	129155-51930	SPACER, T=3.25	1	1	1	1	1			
97	2	129155-51940	SPACER, T=1.5	1	1	1	1	1			
98	2	22217-060000	WASHER, SPRING 6	2	2	2	2	2			
99	2	22351-050010	PIN, SPRING 5.0X10	2	2	2	2	2			
100	2	24101-063034	BEARING, BALL 6303	1	1	1	1	1			
101	2	24341-000160	O-RING, 1AS16.0	1	1	1	1	1			
102	2	26022-050102	SCREW, M5X10	8	8	8	8	8			
102-1	2	26022-050122	SCREW, M5X12	8	8	8	8	8		N	
		(A=E27885) (B=E28463) (C=E29809) (D=E27628) (E=E28462)									
103	2	26022-060162	SCREW, M6X16	4	4	4	4	4			
104	2	26116-050302	BOLT, M5X 30 PLATED	2	2	2	2	2			
105	2	26716-060002	NUT, M6	2	2	2	2	2			
106	2	22190-160002	WASHER, SEAL 16	1	1	1	1	1			
107	2	22217-050000	WASHER, SPRING 5	2	2	2	2	2			
108	2	129208-54500	FLANGE ASSY			1					
110	3	22217-120000	WASHER, SPRING 12					1			
111	3	26716-120002	NUT, M12					1			
118	2	129155-52050	GASKET	1	1	1	1	1			
119	2	129100-52100	PUMP ASSY, FUEL FEED	1	1	1	1	1			

Remarks  
(1)GOVERNOR ASSY(FIG.13)IS  
INCORPORATED IN THIS FUEL  
INJECTION PUMP ASSY(REF.NO.1,2,3,  
4,5).

Fig.13. GOVERNOR



Remarks

- (1) SELECTIVE PARTS: CERTAIN THE CLASSIFICATION MARK, THEN PLACE YOUR ORDER.(REFER TO ILLUSTRATION).
- (2) SELECTIVE PARTS.
- (3) REPAIR PART.
- \* THIS FIGURE(GOVERNOR ASSY)IS INCORPORATED IN THE FUEL INJECTION PUMP ASSY(FIG.12).

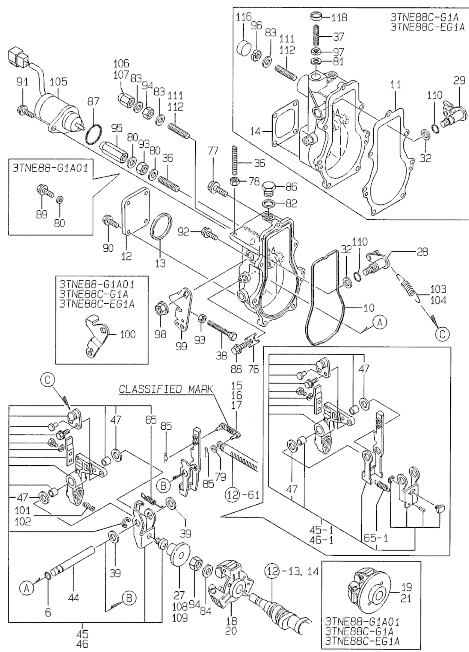
(A)=3TNE88-SA  
(B)=3TNE88-G1A01  
(C)=3TNE88-ESA

(D)=3TNE88C-G1A  
(E)=3TNE88C-E61A  
(F)=

No.	Lev.	Parts No.	Description	Q'ty						I	R
				(A)	(B)	(C)	(D)	(E)	(F)		
6	2	129155-51280	O-RING, S6	1	1	1	1	1			
10	2	129052-61050	GASKET	1	1	1					
11	2	129116-61051	GASKET					1	1		
12	2	129052-61060	COVER, GOVERNOR CASE	1	1	1	1	1			
13	2	129052-61070	GASKET	1	1	1					
14	2	119988-61070	GASKET					1	1		
15	2	129155-61120	LINK, L=30 MARK 0	1	1	1	1	1	1	1	
16	2	129155-61130	LINK, L=31 MARK 1	1	1	1	1	1	1	1	
17	2	129155-61140	LINK, L=30.5 MARK 05	1	1	1	1	1	1	1	
18	2	129155-61202	WEIGHT ASSY,GOVERNOR	1							
19	2	171488-61200	WEIGHT ASSY,GOVERNOR		1		1				
20	2	129486-61201	WEIGHT ASSY,GOVERNOR			1					
21	2	129618-61200	WEIGHT ASSY,GOVERNOR						1		
27	2	129155-61341	SLEEVE	1	1	1	1	1	1	2	
28	2	129100-61400	SHAFT ASSY	1	1	1					
29	2	119988-61400	SHAFT ASSY						1	1	
32	2	129155-61430	SPACER	1	1	1	1	1	1		
36	2	129155-61450	BOLT, LIMITER	2	1	2					
37	2	119988-61460	BOLT, LIMITER						1	1	
38	2	129155-61460	BOLT, IDLE	1	1	1	1	1	1		
39	2	129155-61480	SPACER ASSY	2	2	2	2	2	2		
44	2	129052-61390	SHAFT	1	1	1	1	1	1		
45	2	129052-61500	LEVER ASSY, GOVERNOR	1		1					
45-1	2	119908-61501	LEVER ASSY, GOVERNOR	1		1				S	
		(A=E33917) (C=E35972)									
46	2	129412-61500	LEVER ASSY, GOVERNOR		1		1	1	1		
46-1	2	129486-61501	LEVER ASSY, GOVERNOR			1		1	1	S	
		(B=E33916) (D=E27628) (E=E34224)									
47	3	174307-51700	SHIM SET	2	2	2	2	2	2		
65	3	129052-61540	SPRING, SET	1	1	1	1	1	1		
65-1	3	129486-61540	SPRING, SET	1	1	1	1	1	1	S	
		(A=E33917) (B=E33916) (C=E35972) (D=E27628) (E=E34224)									
76	2	119660-61901	RETAINER, SHAFT	1	1	1	1	1	1		
77	2	129155-61950	BOLT	1	1	1	1	1	1		
78	2	124550-66370	NUT, M6	1	1	1					
79	2	22117-040000	WASHER, 4	1	1	1	1	1	1		
80	2	22190-060003	SEAL WASER 6	2	1	2					
81	2	22190-060002	WASHER, SEAL 6					1	1		
82	2	22190-100002	WASHER, SEAL 10	1	1	1	1	1	1		
83	2	22190-120002	WASHER, SEAL 12	2	2	2	1	1	1		
84	2	22287-120000	WASHER, SEAL 12	1	1	1	1	1	1		
85	2	22372-040000	PIN, SNAP 4	2	2	2	2	2	2		
86	2	23887-100002	PLUG, 10	1	1	1	1	1	1		
87	2	24341-000280	O-RING, 1AS28.0	1	1	1	1	1	1		
87-1	2	158552-61900	O-RING	1	1	1	1	1	1	N	
		(A=EXXXXX) (B=EXXXXX) (C=EXXXXX) (D=EXXXXX) (E=EXXXXX)									
88	2	26106-060102	BOLT, M6X 10 PLATED	1	1	1	1	1	1		
89	2	26106-060102	BOLT, M6X 10 PLATED			1					
90	2	26106-060102	BOLT, M6X 10 PLATED	4	4	4	4	4	4		
91	2	26106-060142	BOLT, M6X 14 PLATED	2	2	2	2	2	2		
92	2	26106-060202	BOLT, M6X 20 PLATED	6	6	6	6	6	6		

N:Old  $\frac{New}{Old}$  New, Q:Old  $\frac{New}{Old}$  New, R:Old  $\frac{New}{Old}$  New, S:Old  $\frac{New}{Old}$  New, W:Add, Z:Discontinued, F:Interchangeable by set, K:Q'ty Change  
 ++ CONTINUE ++  
 Copyright (C) YANMAR CO., LTD. All Rights Reserved.

Fig.13. GOVERNOR



(A)=3TNE88-SA  
(B)=3TNE88-G1A01  
(C)=3TNE88-ESA

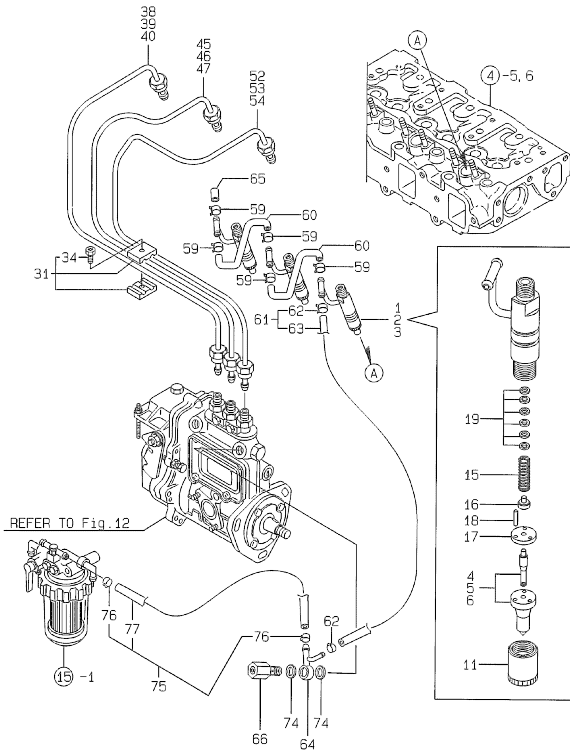
(D)=3TNE88C-G1A  
(E)=3TNE88C-EG1A  
(F)=

No.	Lev.	Parts No.	Description	Q'ty						I	R
				(A)	(B)	(C)	(D)	(E)	(F)		
93	2	26756-060002	NUT, LOCK M6	2	1	2	1	1			
94	2	26776-120002	NUT, LOCK M12	2	2	2	1	1			
95	2	119600-66840	NUT, CAP	1		1					
96	2	119685-61940	NUT, M12					1	1		
97	2	119685-61950	NUT, M6					1	1		
98	2	26366-080002	NUT, M8	1	1	1	1	1	1		
99	2	129100-61440	LEVER, CONTROL	1		1					
100	2	171488-61440	LEVER, CONTROL		1			1	1		
101	2	129100-61650	SPRING, CONTROLLER	1		1					
102	2	129500-61650	SPRING, FUEL CONTROL		1	1		1	1		
103	2	171353-61700	SPRING, GOVERNOR	1		1					
104	2	129477-61720	SPRING, GOVERNOR		1			1	1		
105	2	119653-77950	SOLENOID, STOP	1	1	1	1	1	1		
106	2	26687-120002	NUT, CAP M12	1	1						
107	2	129100-61930	NUT, CAP			1					
108	2	129155-61350	SLEEVE, L=24.9	1	1	1	1	1	1	2	
109	2	129155-61360	SLEEVE, L=25.2	1	1	1	1	1	1	2	
110	2	129155-61830	O-RING, S10	1	1	1	1	1	1		
111	2	129155-61470	BOLT, CONTROL	1	1			1			
112	2	120323-61470	BOLT, CONTROL			1			1		
116	1	119621-66610	PLUG, 22					1	1	3	
118	1	119621-66710	PLUG, 14					1	1	3	

Remarks

- (1) SELECTIVE PARTS: CERTAIN THE CLASSIFICATION MARK, THEN PLACE YOUR ORDER.(REFER TO ILLUSTRATION).
- (2) SELECTIVE PARTS.
- (3) REPAIR PART.
- \* THIS FIGURE(GOVERNOR ASSY) IS INCORPORATED IN THE FUEL INJECTION PUMP ASSY(FIG.12).

Fig.14. FUEL INJECTION VALVE

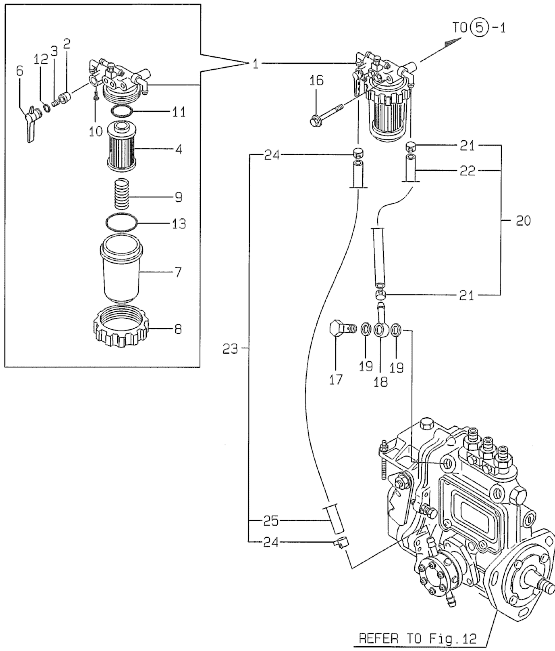


No.	Lev.	Parts No.	Description	Qty						I	R
				(A)	(B)	(C)	(D)	(E)	(F)		
1	1	729503-53100	VALVE ASSY,INJECTION		3						
2	1	719810-53100	VALVE ASSY,INJECTION			3		3	3		
3	1	729209-53100	VALVE ASSY,INJECTION				3				
4	2	129503-53000	VALVE ASSY,INJECTION		3						
5	2	119810-53000	VALVE ASSY,INJECTION			3		3	3		
6	2	129209-53000	VALVE ASSY,INJECTION				3				
11	2	114250-53080	NUT, NOZZLE D16.95	3	3	3	3	3	3		
15	2	114250-53120	SPRING, NOZZLE	3	3	3	3	3	3		
16	2	114250-53130	SEAT, SPRING	3	3	3	3	3	3		
17	2	114250-53140	PLATE	3	3	3	3	3	3		
18	2	114250-53210	PIN	6	6	6	6	6	6		
19	2	114250-53400	SHIM SET	3	3	3	3	3	3		
31	1	119305-59120	RETAINER, PIPE	2	2	2	2	2	2		
34	2	129150-59131	BOLT, M4X14	2	2	2	2	2	2		
38	1	129052-59710	PIPE ASSY, INJECTION	1							
38-1	1	129052-59711	PIPE ASSY, INJECTION	1							N
(A=E29124)											
39	1	129002-59810	PIPE ASSY, INJECTION		1		1				
40	1	129052-59810	PIPE ASSY, INJECTION			1			1		
45	1	129052-59720	PIPE ASSY, INJECTION	1							
46	1	129002-59820	PIPE ASSY, INJECTION		1		1				
47	1	129052-59820	PIPE ASSY, INJECTION			1			1		
52	1	129052-59730	PIPE ASSY, INJECTION	1							
53	1	129002-59831	PIPE ASSY, INJECTION		1		1				
54	1	129052-59830	PIPE ASSY, INJECTION				1		1		
59	1	124066-59100	CLIP, HOSE 8	5	5	5	5	5	5		
60	1	121250-59550	PIPE, FUEL D8X120	2	2	2	2	2	2		
61	1	119840-59500	PIPE ASSY, RETURN	1	1	1	1	1	1		
62	2	124066-59100	CLIP, HOSE 8	2	2	2	2	2	2		
63	2	119840-59560	PIPE, FUEL RETURN	1	1	1	1	1	1		
64	1	119840-59570	JOINT	1	1	1	1	1	1		
65	1	129150-59580	CAP	1	1	1	1	1	1		
66	1	129100-59951	VALVE ASSY, CHECK	1	1	1	1	1	1		
74	1	22190-120002	WASHER, SEAL 12	2	2	2	2	2	2		
75	1	129210-59130	PIPE ASSY, FUEL	1	1	1	1	1	1		
76	2	124766-59050	CLIP, HOSE 12	2	2	2	2	2	2		
77	2	105025-59750	PIPE, FUEL	1	1	1	1	1	1		

Fig.15. FUEL FILTER

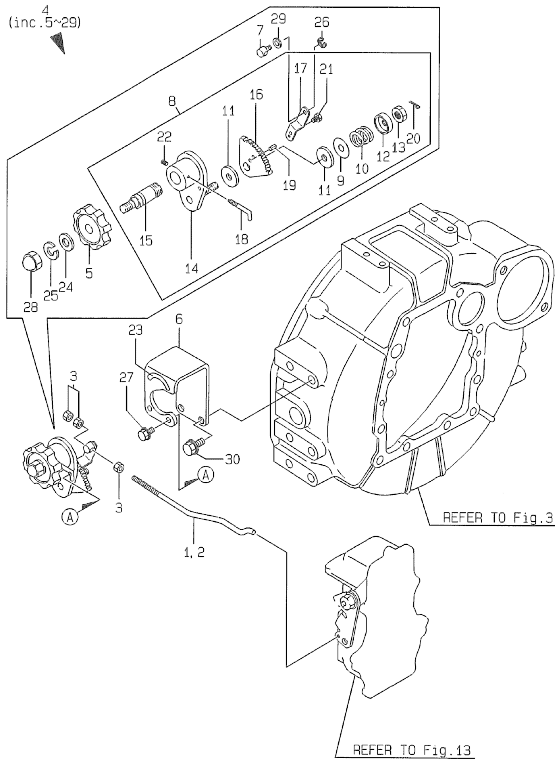
(A)=3TNE88-SA  
(B)=3TNE88-G1A01  
(C)=3TNE88-ESA

(D)=3TNE88C-G1A  
(E)=3TNE88C-EG1A  
(F)=



No.	Lev.	Parts No.	Description	Qty						I	R
				(A)	(B)	(C)	(D)	(E)	(F)		
1	1	129052-55620	FILTER ASSY, FUEL	1	1	1	1	1			
2	2	104200-55321	VALVE, TAPER	1	1	1	1	1			
3	2	104200-55330	SPRING, VALVE	1	1	1	1	1			
4	2	129100-55650	ELEMENT	1	1	1	1	1			
6	2	129100-55670	LEVER	1	1	1	1	1			
7	2	129100-55680	CUP, STRAINER	1	1	1	1	1			
8	2	129100-55690	RING, RETAINING	1	1	1	1	1			
9	2	129100-55700	SPRING	1	1	1	1	1			
10	2	104200-55750	SCREW, M4	1	1	1	1	1			
11	2	24311-000160	O-RING, 1AP16.0	1	1	1	1	1			
12	2	24311-240100	O-RING, 1AP10A	1	1	1	1	1			
13	2	24321-000650	O-RING, 1AG65.0	1	1	1	1	1			
16	1	26014-080702	BOLT, M8X 70	1	1	1	1	1			
17	1	103854-39140	BOLT, PIPE JOINT	1	1	1	1	1			
18	1	101304-59020	JOINT, PIPE 12	1	1	1	1	1			
19	1	22190-120002	WASHER, SEAL 12	2	2	2	2	2			
20	1	129210-59020	PIPE ASSY, FUEL	1	1	1	1	1			
21	2	124766-59050	CLIP, HOSE 12	2	2	2	2	2			
22	2	129115-59510	PIPE, FUEL	1	1	1	1	1			
23	1	129210-59130	PIPE ASSY, FUEL	1	1	1	1	1			
24	2	124766-59050	CLIP, HOSE 12	2	2	2	2	2			
25	2	105025-59750	PIPE, FUEL	1	1	1	1	1			

Fig.16. ENGINE CONTROL DEVICE



(A)=3TNE88-SA  
(B)=3TNE88-G1A01  
(C)=3TNE88-ESA

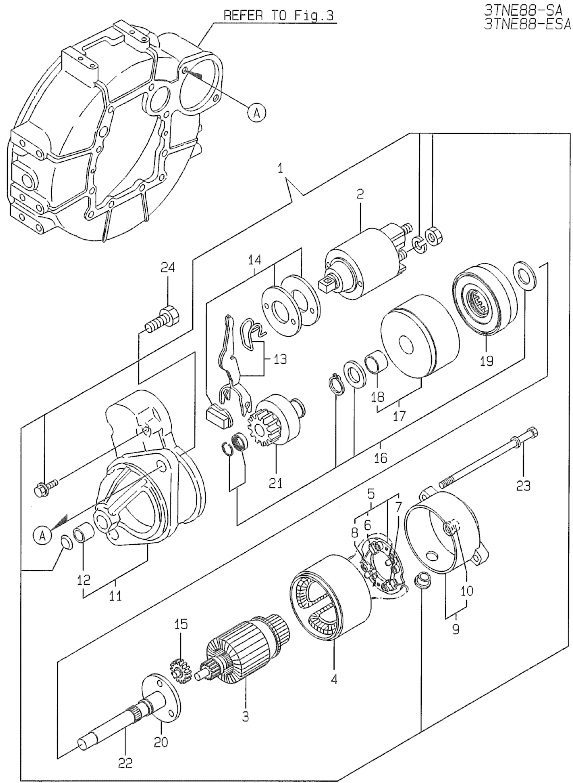
(D)=3TNE88C-G1A  
(E)=3TNE88C-EG1A  
(F)=

No.	Lev.	Parts No.	Description	Qty						I	R
				(A)	(B)	(C)	(D)	(E)	(F)		
1	1	119888-66120	LINK, ENGINE CONTROL	1		1					
2	1	119888-66150	LINK		1		1	1			
3	1	26756-050002	NUT, LOCK M5	3	3	3	3	3			
4	1	119888-66160	CONTROLLER ASSY	1	1	1	1	1	1		
5	2	126650-66020	HANDLE, REGULATOR	1	1	1	1	1	1		
6	2	119888-66110	BRACKET	1	1	1	1	1	1		
7	2	119888-66130	PIVOT	1	1	1	1	1	1		
8	2	171048-67010	CONTROLLER ASSY	1	1	1	1	1	1		
9	3	171102-66080	WASHER	1	1	1	1	1	1		
10	3	104200-66820	SPRING	1	1	1	1	1	1		
11	3	104200-66830	PLATE, FRICTION	2	2	2	2	2	2		
12	3	104200-66850	WASHER	1	1	1	1	1	1		
13	3	104200-66860	NUT	1	1	1	1	1	1		
14	3	171085-67100	BRACKET	1	1	1	1	1	1		
15	3	171085-67110	SHAFT, DRIVE	1	1	1	1	1	1		
16	3	171085-67120	GEAR	1	1	1	1	1	1		
17	3	171048-67130	LEVER	1	1	1	1	1	1		
18	3	171048-67140	STOPPER	1	1	1	1	1	1		
19	3	22351-020006	PIN, SPRING 2.0X 6	1	1	1	1	1	1		
20	3	22411-200150	COTTER PIN	1	1	1	1	1	1		
21	3	26116-060082	BOLT, M6X 8 PLATED	1	1	1	1	1	1		
22	3	26921-050122	SCREW, M5X12	1	1	1	1	1	1		
23	2	170064-67210	LABEL, HANDLE	1	1	1	1	1	1		
24	2	22137-100000	WASHER, 10	1	1	1	1	1	1		
25	2	22217-100000	WASHER, SPRING 10	1	1	1	1	1	1		
26	2	22272-000050	RING, E- 5	1	1	1	1	1	1		
27	2	26106-060102	BOLT, M6X 10 PLATED	2	2	2	2	2	2		
28	2	26657-100002	NUT, CAP M10	1	1	1	1	1	1		
29	2	22117-060000	WASHER, 6	1	1	1	1	1	1		
30	1	26106-080162	BOLT, M8X 16 PLATED	2	2	2	2	2	2		

Fig.17. STARTING MOTOR(STANDARD)

(A)=3TNE88-SA  
(B)=3TNE88-G1A01  
(C)=3TNE88-ESA

(D)=3TNE88C-G1A  
(E)=3TNE88C-EG1A  
(F)=



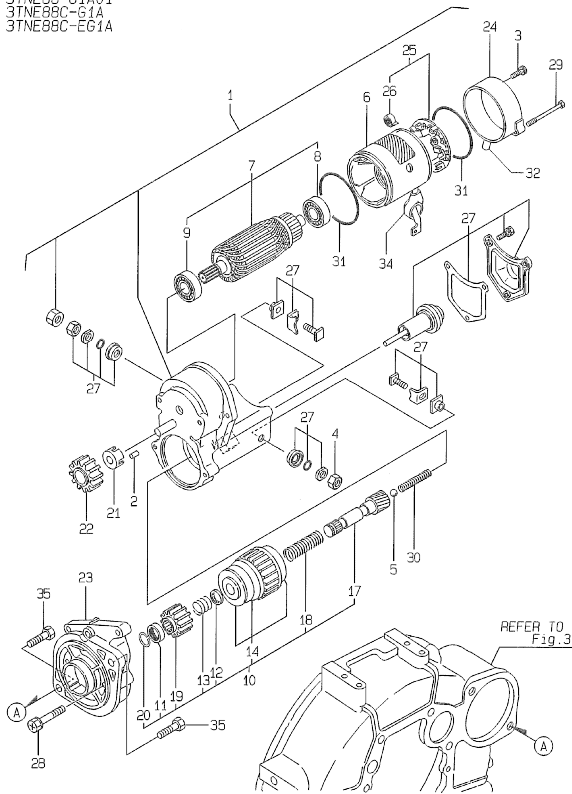
No.	Lev.	Parts No.	Description	Qty						I	R
				(A)	(B)	(C)	(D)	(E)	(F)		
1	1	129698-77010	STARTER, 12V1.2KW	1							
2	2	129698-77020	SWITCH ASSY	1							
3	2	129698-77100	ARMATURE ASSY	1							
3-1	2	129698-77101	ARMATURE ASSY	1			1				N
		(A=E37721)	(C=E36632)								
4	2	129698-77110	YOKE ASSY	1			1				
5	2	129698-77120	HOLDER ASSY, BRUSH	1			1				
6	3	129698-77140	BRUSH SET	1			1				
7	3	129698-77130	BRUSH	2			2				
8	3	129698-77150	SPRING, BRUSH	4			4				
9	2	129698-77160	COVER ASSY	1			1				
9-1	2	129698-77161	COVER ASSY	1			1				R
		(A=E34756)	(C=E35972)								
10	3	129698-77170	BEARING	1			1				
11	2	129698-77260	CASE ASSY	1			1				
12	3	X2114535200	METAL, STARTER	1			1				
13	2	129698-77270	LEVER SET, SHIFT	1			1				
14	2	129698-77280	COVER KIT	1			1				
15	2	129698-77240	GEAR	3			3				
16	2	129698-77250	WASHER SET	1			1				
17	2	129698-77180	BRACKET	1			1				
18	3	129698-77190	BRACKET	1			1				
19	2	129698-77200	GEAR, INTERNAL	1			1				
20	2	129698-77210	BRACKET	1			1				
21	2	129698-77220	PINION ASSY	1			1				
22	2	129698-77230	SHAFT	1			1				
23	2	124195-77770	BOLT, THROUGH	2			2				
24	1	26116-120252	BOLT, M12X 25 PLATED	2			2				



Fig.18. STARTING MOTOR(STANDARD)

(A)=3TNE88-SA  
 (B)=3TNE88-G1A01  
 (C)=3TNE88-ESA  
 (D)=3TNE88C-G1A  
 (E)=3TNE88C-EG1A  
 (F)=

3TNE88-G1A01  
 3TNE88C-G1A  
 3TNE88C-EG1A

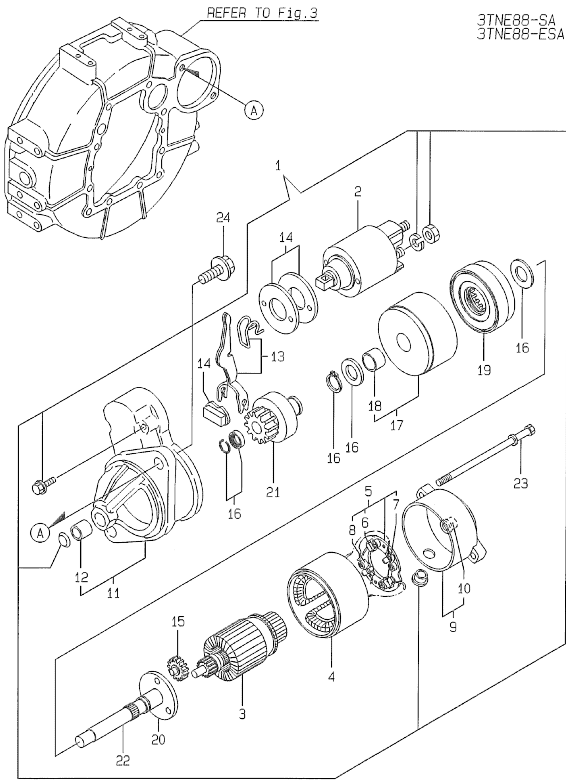


No.	Lev.	Parts No.	Description	Q'ty						I	R
				(A)	(B)	(C)	(D)	(E)	(F)		
1	1	129129-77010	STARTER ASSY	1							
2	2	X0283060061	ROLLER		5		5		5		
3	2	129129-77460	SCREW		2		2		2		
4	2	X9490561370	NUT		1		1		1		
5	2	X9491200240	BALL		1		1		1		
6	2	129129-77210	YOKE ASSY		1		1		1		
7	2	129129-77220	ARMATURE ASSY		1		1		1		
8	3	129129-77230	BEARING		1		1		1		
9	3	129129-77240	BEARING		1		1		1		
10	2	129129-77250	STARTER		1		1		1		
11	3	X0280210230	NUT		1		1		1		
12	3	X0283270140	RETAINER		1		1		1		
13	3	X9491703371	SPRING, COIL		1		1		1		
14	3	129129-77390	CLUTCH ASSY		1		1		1		
17	3	129129-77400	SHAFT		1		1		1		
18	3	129129-77410	SPRING, COIL		1		1		1		
19	3	129129-77420	PINION, STARTER		1		1		1		
20	3	129129-77430	RING		1		1		1		
21	2	129129-77260	RETAINER		1		1		1		
22	2	129129-77270	PINION		1		1		1		
23	2	129129-77280	HOUSING		1		1		1		
24	2	129129-77290	FRAME		1		1		1		
25	2	129129-77300	HOLDER ASSY		1		1		1		
26	3	X9491730461	SPRING		4		4		4		
27	2	129129-77310	SWITCH ASSY		1		1		1		
28	2	129129-77320	BOLT		2		2		2		
29	2	129129-77330	BOLT		2		2		2		
30	2	129129-77340	SPRING		1		1		1		
31	2	129129-77350	O-RING		2		2		2		
32	2	129129-77362	COVER		1		1		1		
34	2	129129-77380	CAP		1		1		1		
35	1	26116-120252	BOLT, M12X 25 PLATED		2		2		2		

Fig.19. STARTING MOTOR(COLD DISTRICT)

(A)=3TNE88-SA  
(B)=3TNE88-G1A01  
(C)=3TNE88-ESA

(D)=3TNE88C-G1A  
(E)=3TNE88C-EG1A  
(F)=



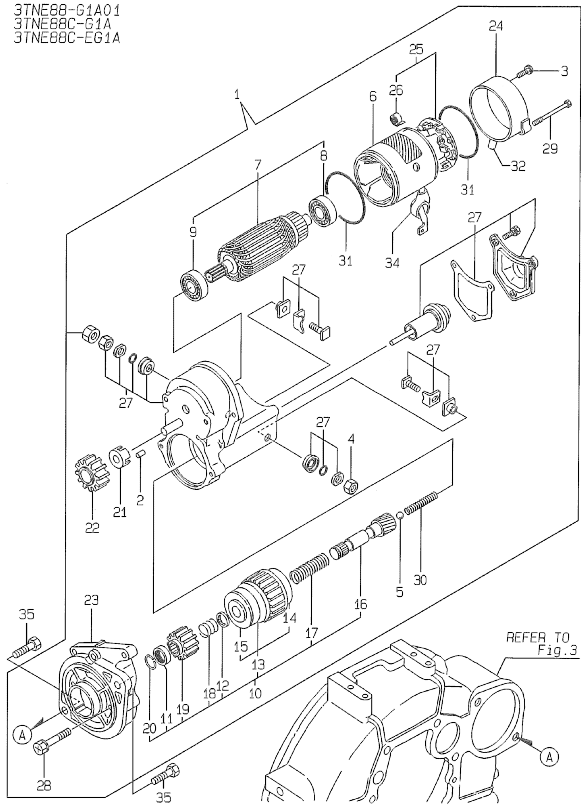
No.	Lev.	Parts No.	Description	Qty						I	R
				(A)	(B)	(C)	(D)	(E)	(F)		
1	1	129608-77010	STARTER, S114-817A	1							
2	2	129698-77020	SWITCH ASSY	1							
3	2	129698-77100	ARMATURE ASSY	1							
3-1	2	129698-77101	ARMATURE ASSY	1			1				N
		(A=E37721)	(C=E36632)								
4	2	129608-77110	YOKE ASSY	1			1				
5	2	129698-77120	HOLDER ASSY, BRUSH	1			1				
6	3	129698-77140	BRUSH SET	1			1				
7	3	129698-77130	BRUSH	2			2				
8	3	129698-77150	SPRING, BRUSH	4			4				
9	2	129698-77160	COVER ASSY	1			1				
9-1	2	129698-77161	COVER ASSY	1			1				R
		(A=E34756)	(C=E35972)								
10	3	129698-77170	BEARING	1			1				
11	2	129698-77260	CASE ASSY	1			1				
12	3	X2114535200	METAL, STARTER	1			1				
13	2	129698-77270	LEVER SET, SHIFT	1			1				
14	2	129698-77280	COVER KIT	1			1				
15	2	129698-77240	GEAR	3			3				
16	2	129698-77250	WASHER SET	1			1				
17	2	129698-77180	BRACKET	1			1				
18	3	129698-77190	BRACKET	1			1				
19	2	129698-77200	GEAR, INTERNAL	1			1				
20	2	129698-77210	BRACKET	1			1				
21	2	129698-77220	PINION ASSY	1			1				
22	2	129698-77230	SHAFT	1			1				
23	2	124195-77770	BOLT, THROUGH	2			2				
24	1	26116-120252	BOLT, M12X 25 PLATED	2			2				

Fig.20. STARTING MOTOR(COLD DISTRICT)

(A)=3TNE88-SA  
(B)=3TNE88-G1A01  
(C)=3TNE88-ESA

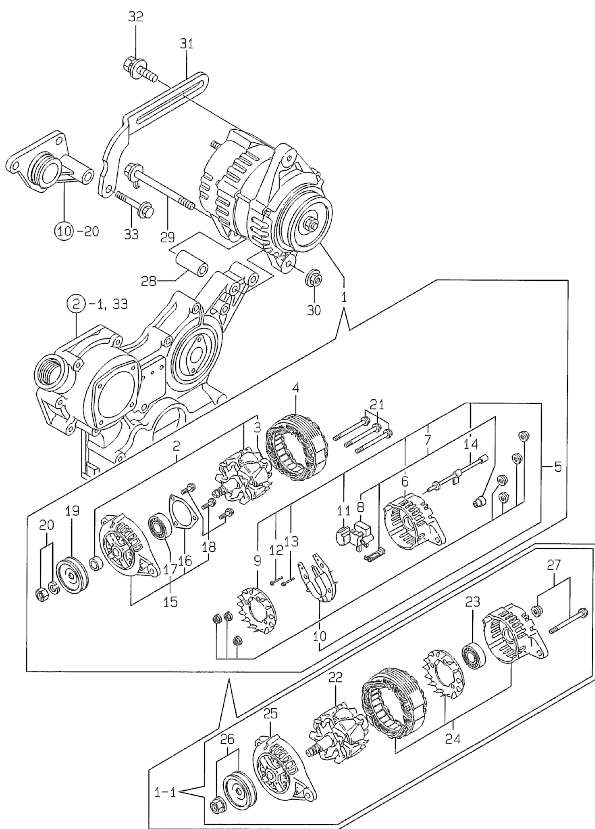
(D)=3TNE88C-G1A  
(E)=3TNE88C-EG1A  
(F)=

3TNE88-G1A01  
3TNE88C-G1A  
3TNE88C-EG1A



No.	Lev.	Parts No.	Description	Qty						I	R
				(A)	(B)	(C)	(D)	(E)	(F)		
1	1	129407-77010	STARTER, RA1.4	1							
2	2	X0283060061	ROLLER		5		5		5		
3	2	129129-77460	SCREW		2		2		2		
4	2	X9490561370	NUT		1		1		1		
5	2	X9491200240	BALL		1		1		1		
6	2	129407-77210	YOKE ASSY		1		1		1		
7	2	129407-77220	ARMATURE ASSY		1		1		1		
8	3	129129-77230	BEARING		1		1		1		
9	3	129129-77240	BEARING		1		1		1		
10	2	129407-77250	STARTER		1		1		1		
11	3	X0280210230	NUT		1		1		1		
12	3	X0283270140	RETAINER		1		1		1		
13	3	129407-77390	CLUTCH ASSY		1		1		1		
14	4	129129-77440	BEARING, BALL		1		1		1		
15	4	129129-77450	BEARING, BALL		1		1		1		
16	3	129129-77400	SHAFT		1		1		1		
17	3	129129-77410	SPRING, COIL		1		1		1		
18	3	129407-77410	SPRING		1		1		1		
19	3	129129-77420	PINION, STARTER		1		1		1		
20	3	129129-77430	RING		1		1		1		
21	2	129129-77260	RETAINER		1		1		1		
22	2	129129-77270	PINION		1		1		1		
23	2	129407-77280	HOUSING		1		1		1		
24	2	129129-77290	FRAME		1		1		1		
25	2	129407-77300	HOLDER ASSY		1		1		1		
26	3	X9491730461	SPRING		4		4		4		
27	2	129407-77310	SWITCH ASSY		1		1		1		
28	2	129129-77320	BOLT		2		2		2		
29	2	129407-77330	BOLT		2		2		2		
30	2	129129-77340	SPRING		1		1		1		
31	2	129129-77350	O-RING		2		2		2		
32	2	129129-77362	COVER		1		1		1		
34	2	129129-77380	CAP		1		1		1		
35	1	26116-120252	BOLT, M12X 25 PLATED		2		2		2		

Fig.21. GENERATOR



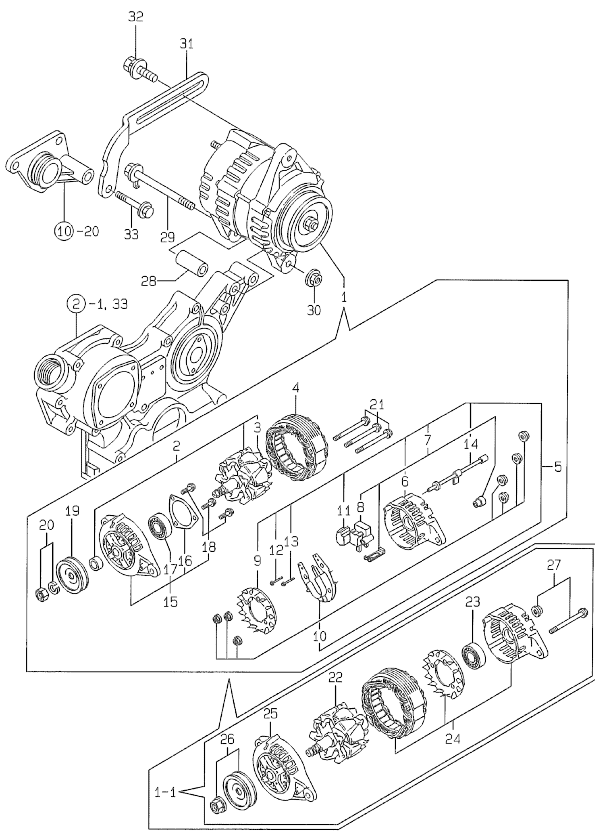
(A)=3TNE88-SA  
(B)=3TNE88-G1A01  
(C)=3TNE88-ESA

(D)=3TNE88C-G1A  
(E)=3TNE88C-EG1A  
(F)=

No.	Lev.	Parts No.	Description	Q'ty						I	R
				(A)	(B)	(C)	(D)	(E)	(F)		
1	1	119836-77200	GENERATOR	1	1	1	1	1	1		
1-1	1	119836-77201	GENERATOR	1	1	1	1	1	1		R
		(A=E23051) (B=E22840) (C=E22957) (D=E22841) (E=E28462)									
2	2	119836-77700	ROTOR ASSY	1	1	1	1	1	1		Z
		(A=E23051) (B=E22840) (C=E22957) (D=E22841) (E=E28462)									
3	3	119836-77850	BALL BEARING	1	1	1	1	1	1		Z
		(A=E23051) (B=E22840) (C=E22957) (D=E22841) (E=E28462)									
4	2	119836-77710	STATOR ASSY	1	1	1	1	1	1		Z
		(A=E23051) (B=E22840) (C=E22957) (D=E22841) (E=E28462)									
5	2	119836-77721	COVER ASSY, REAR	1	1	1	1	1	1		Z
		(A=E23051) (B=E22840) (C=E22957) (D=E22841) (E=E28462)									
6	3	119836-77730	COVER, REAR	1	1	1	1	1	1		Z
		(A=E23051) (B=E22840) (C=E22957) (D=E22841) (E=E28462)									
7	3	119836-77741	BRUSH ASSY,REGULATOR	1	1	1	1	1	1		Z
		(A=E23051) (B=E22840) (C=E22957) (D=E22841) (E=E28462)									
8	4	119836-77750	BRUSH ASSY	1	1	1	1	1	1		Z
		(A=E23051) (B=E22840) (C=E22957) (D=E22841) (E=E28462)									
9	3	119836-77760	GUIDE, FAN SIDE	1	1	1	1	1	1		Z
		(A=E23051) (B=E22840) (C=E22957) (D=E22841) (E=E28462)									
10	3	119836-77770	DIODE ASSY	1	1	1	1	1	1		Z
		(A=E23051) (B=E22840) (C=E22957) (D=E22841) (E=E28462)									
11	3	119836-77780	CONDENSER	1	1	1	1	1	1		Z
		(A=E23051) (B=E22840) (C=E22957) (D=E22841) (E=E28462)									
12	3	119836-77871	BOLT (1)	1	1	1	1	1	1		Z
		(A=E23051) (B=E22840) (C=E22957) (D=E22841) (E=E28462)									
13	3	119836-77880	BOLT (2)	1	1	1	1	1	1		Z
		(A=E23051) (B=E22840) (C=E22957) (D=E22841) (E=E28462)									
14	3	119836-77890	WIRE ASSY, LEAD	1	1	1	1	1	1		Z
		(A=E23051) (B=E22840) (C=E22957) (D=E22841) (E=E28462)									
15	2	119836-77790	COVER ASSY, FRONT	1	1	1	1	1	1		Z
		(A=E23051) (B=E22840) (C=E22957) (D=E22841) (E=E28462)									
16	3	119836-77800	RETAINER, BEARING	1	1	1	1	1	1		Z
		(A=E23051) (B=E22840) (C=E22957) (D=E22841) (E=E28462)									
17	3	119836-77840	BALL BEARING	1	1	1	1	1	1		Z
		(A=E23051) (B=E22840) (C=E22957) (D=E22841) (E=E28462)									
18	3	119836-77860	SCREW KID	1	1	1	1	1	1		Z
		(A=E23051) (B=E22840) (C=E22957) (D=E22841) (E=E28462)									
19	2	119836-77810	PULLEY	1	1	1	1	1	1		Z
		(A=E23051) (B=E22840) (C=E22957) (D=E22841) (E=E28462)									
20	2	119836-77820	NUT ASSY, PULLEY	1	1	1	1	1	1		Z
		(A=E23051) (B=E22840) (C=E22957) (D=E22841) (E=E28462)									
21	2	119836-77830	BOLT, THROUGH	1	1	1	1	1	1		Z
		(A=E23051) (B=E22840) (C=E22957) (D=E22841) (E=E28462)									
22	2	129612-77700	ROTOR ASSY	1	1	1	1	1	1		W
		(A=E23051) (B=E22840) (C=E22957) (D=E22841) (E=E28462)									
23	2	129612-77710	BEARING, BALL	1	1	1	1	1	1		W
		(A=E23051) (B=E22840) (C=E22957) (D=E22841) (E=E28462)									
24	2	119836-77920	BRACKET ASSY	1	1	1	1	1	1		W
		(A=E23051) (B=E22840) (C=E22957) (D=E22841) (E=E28462)									
25	2	129612-77730	BRACKET ASSY, FILTER	1	1	1	1	1	1		W
		(A=E23051) (B=E22840) (C=E22957) (D=E22841) (E=E28462)									

N:Old  $\frac{New}{Old}$  New. Q:Old  $\frac{New}{Old}$  New. R:Old  $\frac{New}{Old}$  New. S:Old  $\frac{New}{Old}$  New. W:Add. Z:Discontinued. F:Interchangeable by set. K:Q'ty Change  
 ++ CONTINUE ++  
 Copyright (C) YANMAR CO., LTD. All Rights Reserved.

Fig.21. GENERATOR

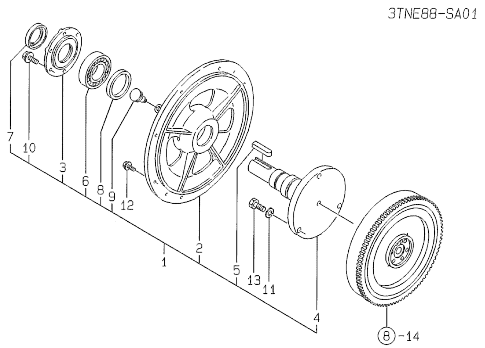


(A)=3TNE88-SA  
(B)=3TNE88-G1A01  
(C)=3TNE88-ESA

(D)=3TNE88C-G1A  
(E)=3TNE88C-EG1A  
(F)=

No.	Lev.	Parts No.	Description	Q'ty						I	R
				(A)	(B)	(C)	(D)	(E)	(F)		
26	2	129612-77740	PULLEY	1	1	1	1	1		W	
		(A=E23051)	(B=E22840)	(C=E22957)	(D=E22841)	(E=E28462)					
27	2	129612-77750	SCREW KIT	1	1	1	1	1		W	
		(A=E23051)	(B=E22840)	(C=E22957)	(D=E22841)	(E=E28462)					
28	1	119820-77340	PIECE, DISTANCE	1	1	1	1	1			
29	1	129136-77251	BOLT, M8X110	1	1	1	1	1			
30	1	129612-77260	NUT, ALTERNATOR	1	1	1	1	1			
31	1	129100-77330	ADJUSTER	1	1	1	1	1			
32	1	119810-77340	BOLT, ADJUSTER	1	1	1	1	1			
33	1	26106-080502	BOLT, M8X 50 PLATED	1	1	1	1	1			

Fig.22. OUTPUT SHAFT



3TNE88-SA01

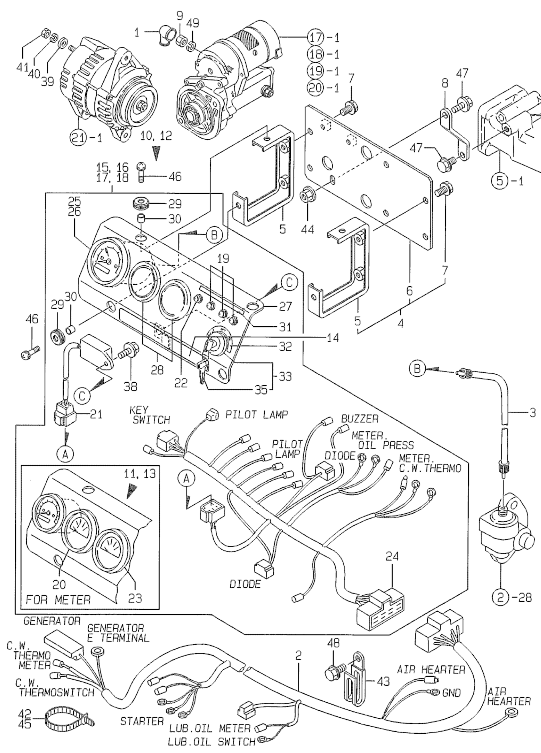
(A)=3TNE88-SA  
 (B)=3TNE88-G1A01  
 (C)=3TNE88-ESA  
 (D)=3TNE88C-G1A  
 (E)=3TNE88C-EG1A  
 (F)=

No.	Lev.	Parts No.	Description	Qty					
				(A)	(B)	(C)	(D)	(E)	(F)
1	1	119888-89100	SHAFT, STUB	1					
2	2	119888-89110	HOUSING, BEARING	1					
3	2	171048-89120	CASE, OIL SEAL	1					
4	2	119888-89210	SHAFT	1					
5	2	22512-100700	KEY, 10X 70	1					
6	2	24151-222090	BEARING, 22209	1					
7	2	24421-456209	SEAL, OIL TC456209	1					
8	2	24421-557209	SEAL, OIL TC557209	1					
9	2	24754-320020	CUP, GREASE 32X1/4	1					
10	2	26106-080202	BOLT, M8X 20 PLATED	6					
11	1	22217-120000	WASHER, SPRING 12	3					
12	1	26106-100222	BOLT, M10X 22 PLATED	8					
13	1	26206-120352	BOLT, M12X 35 PLATED	3					

Remarks  
 \* FOR(SA01).

Fig.23. PANEL

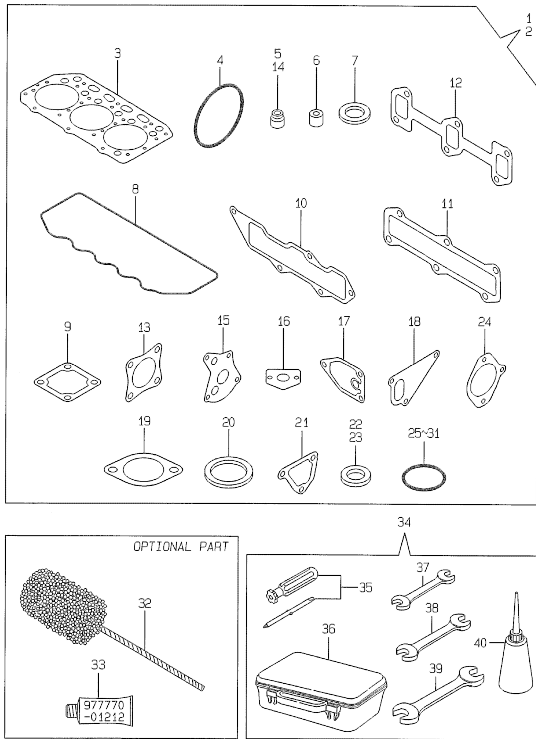
(A)=3TNE88-SA  
(B)=3TNE88-G1A01  
(C)=3TNE88-ESA  
(D)=3TNE88C-G1A  
(E)=3TNE88C-EG1A  
(F)=



No.	Lev.	Parts No.	Description	Q'ty						I	R
				(A)	(B)	(C)	(D)	(E)	(F)		
1	1	124550-77030	COVER, TERMINAL	1	1	1	1	1			
2	1	119888-91022	HARNES, WIRE	1	1	1	1	1			
3	1	121400-91140	SHAFT	1	1	1	1	1			
4	1	129608-91151	BRACKET ASSY	1	1	1	1	1			
5	2	119888-91120	SUPPORT	2	2	2	2	2			
6	2	129608-91132	BRACKET, PANEL	1	1	1	1	1			
7	2	26106-080122	BOLT, M8X 12 PLATED	4	4	4	4	4			
8	1	129608-91140	RETAINER, PANEL	1	1	1	1	1			
9	1	26756-080002	NUT, LOCK M8	1	1	1	1	1			
10	1	119888-91101	PANEL ASSY	1	1						
11	1	119888-91201	PANEL ASSY	1	1					1	
12	1	119888-91301	PANEL ASSY, INSTRUM		1		1	1			
13	1	119888-91311	PANEL ASSY		1		1	1		1	
14	2	104507-07190	LABEL, YANMAR	1	1	1	1	1			
15	2	170121-91100	PANEL ASSY	1	1						
16	2	119888-91220	PANEL ASSY	1	1					1	
17	2	119888-91320	PANEL ASSY		1		1	1			
18	2	119888-91330	PANEL ASSY		1		1	1		1	
19	3	124732-77720	LAMP, CHARGING	3	3	3	3	3			
20	3	171010-77850	THERMOSTAT	1	1	1	1	1			
21	3	128300-77920	TIMER	1	1	1	1	1			
22	3	124559-77971	LAMP, PILOT	1	1	1	1	1			
23	3	171090-91010	GAUGE	1	1	1	1	1			
24	3	119888-91031	HARNES, WIRE	1	1	1	1	1			
25	3	171080-91100	TACHOMETER	1	1						
26	3	171082-91100	TACHOMETER	1	1	1	1	1			
27	3	119888-91110	BODY, PANEL	1	1	1	1	1			
28	3	124770-91220	COVER	2	2	2	2	2			
29	3	121400-91520	ABSORBER	4	4	4	4	4			
30	3	121400-91530	SPACER	4	4	4	4	4			
31	3	119888-91610	LABEL, CW & OIL LAMP	1	1	1	1	1			
32	3	119888-91620	LABEL, KEY SWITCH	1	1	1	1	1			
33	3	933110-00100	SWITCH ASSY, STARTER	1	1	1	1	1			
35	4	933110-00301	KEY ASSY	1	1	1	1	1			
38	3	26106-060102	BOLT, M6X 10 PLATED	1	1	1	1	1			
39	1	22117-050000	WASHER, 5	1	1	1	1	1			
40	1	22217-050000	WASHER, SPRING 5	1	1	1	1	1			
41	1	26716-050002	NUT, M5	1	1	1	1	1			
42	1	121750-59890	BAND, 140	1	1	1	1	1			
43	1	194180-51640	CLAMP, HARNES	1	1	1	1	1			
44	1	26366-080002	NUT, M8	1	1	1	1	1			
45	1	121750-59890	BAND, 140	1	1	1	1	1			
46	1	26033-060202	SCREW M 6X 20	4	4	4	4	4			
47	1	26106-080162	BOLT, M8X 16 PLATED	2	2	2	2	2			
48	1	26106-100122	BOLT, M10X 12 PLATED	1	1	1	1	1			
49	1	22217-080000	WASHER, SPRING 8	1	1	1	1	1			

Remarks  
(1) WITH C.W.THERMOMETER(REF.NO.20,  
P/# 171010-77850) & PRESSURE  
GAUGE(REF.NO.23,P/# 171090-91010).

Fig.24. GASKET SET & TOOL(OPTIONAL)



(A)=3TNE88-SA  
(B)=3TNE88-G1A01  
(C)=3TNE88-ESA

(D)=3TNE88C-G1A  
(E)=3TNE88C-EG1A  
(F)=

No.	Lev.	Parts No.	Description	Q'ty						I	R	
				(A)	(B)	(C)	(D)	(E)	(F)			
1	1	72900-1-92650	GASKET SET								1	
2	1	72900-1-92660	GASKET SET								1	
3	2	12900-1-01340	GASKET, HEAD	1	1	1	1	1	1			
4	2	121850-51960	O-RING	1	1	1	1	1	1			
5	2	121400-11340	SEAL, VALVE STEM	3	3	3	3	3	3			
6	2	119625-11870	PROTECTOR, NOZZLE	3	3	3	3	3	3			
7	2	119625-11880	SEAT, NOZZLE	3	3	3	3	3	3			
8	2	129150-11310	GASKET, BONNET	1	1	1	1	1	1			
9	2	129150-77511	GASKET	1	1	1	1	1	1			
10	2	12900-1-12110	GASKET, MANIFOLD	1	1	1	1	1	1			
11	2	12900-1-13110	GASKET	1	1	1	1	1	1			
12	2	129150-13110	GASKET	1	1	1	1	1	1			
13	2	121000-13201	GASKET, SILENCER	1	1	1	1	1	1			
13-1	2	124701-11911	GASKET, SILENCER	1	1	1	1	1	1			N
		(A=E27042)	(B=E27583)	(C=E26077)	(D=E26486)	(E=E28462)						
14	2	124460-11340	SEAL, VALVE STEM	3	3	3	3	3	3			
15	2	129150-32020	GASKET, PUMP	1	1	1	1	1	1			
16	2	129150-35041	GASKET	1	1	1	1	1	1			
17	2	129150-35111	GASKET	1	1	1	1	1	1			
18	2	129100-42020	GASKET, WATER PUMP	1	1	1	1	1	1			
18-1	2	129486-42021	GASKET, WATER PUMP	1	1	1	1	1	1			N
		(A=E22540)	(B=E22264)	(C=E22957)	(D=E22841)	(E=E28462)						
19	2	129795-49551	GASKET	1	1	1	1	1	1			
20	2	129150-49811	GASKET, THERMOSTAT	1	1	1	1	1	1			
21	2	129100-49840	GASKET	1	1	1	1	1	1			
21-1	2	124395-49840	GASKET	1	1	1	1	1	1			N
		(A=E29808)	(B=E30534)	(C=E29809)	(D=E27628)	(E=E30105)						
22	2	129150-49360	GASKET	1	1	1	1	1	1			
23	2	124465-44950	GASKET, 16	2	2	2	2	2	2			
24	2	171353-26081	GASKET	1	1	1	1	1	1			
25	2	24321-000300	O-RING, 1AG30.0	1	1	1	1	1	1			
25-1	2	129486-42140	O-RING, G30	1	1	1	1	1	1			N
		(A=E23931)	(B=E24588)	(C=E24738)	(D=E23655)	(E=E28462)						
26	2	24321-000850	O-RING, 1AG85.0	1	1	1	1	1	1			
27	2	24311-000120	O-RING, 1AP12.0	3	3	3	3	3	3			
28	2	24311-000160	O-RING, 1AP16.0	3	3	3	3	3	3			
29	2	24311-000320	O-RING, 1AP32.0	2	2	2	2	2	2			
30	2	24341-000240	O-RING, 1AS24.0	1	1	1	1	1	1			
31	2	24341-000500	O-RING, 1AS50.0	1	1	1	1	1	1			
32	1	129400-92430	HONE	1	1	1	1	1	1			1
33	1	977770-01212	GASKET, LIQUID	1	1	1	1	1	1			1
34	1	721400-92102	BOX ASSY, TOOL	1	1	1	1	1	1			
35	2	104200-92350	DRIVER, SCREW	1	1	1	1	1	1			
36	2	104200-92600	BOX, TOOL	1	1	1	1	1	1			
37	2	28110-100120	SPANNER, 10X12	1	1	1	1	1	1			
38	2	28110-140170	SPANNER, 14X17	1	1	1	1	1	1			
39	2	28110-190220	SPANNER, 19X22	1	1	1	1	1	1			
40	2	28210-000140	OILER	1	1	1	1	1	1			

Remarks  
(1) OPTIONAL PART.



## Parts No. Index

Parts No.	Fig. No.	Ref. No.	Parts No.	Fig. No.	Ref. No.	Parts No.	Fig. No.	Ref. No.	Parts No.	Fig. No.	Ref. No.
101304-59020	15	18	119810-51040	12	13	119888-91101	23	10	124160-01751	2	7
103854-39140	15	17	119810-53000	14	5	119888-91110	23	27		4	73
104200-55321	15	2	119810-77340	21	32	119888-91120	23	5	124160-01910	1	5
104200-55330	15	3	119820-77340	21	28	119888-91201	23	11	124160-11360	4	59
104200-55750	15	10	119822-12500	5	20	119888-91220	23	16	124160-39140	9	37
104200-66820	16	10	119822-12510	5	21	119888-91301	23	12	124160-39450	9	36
104200-66830	16	11	119823-49010	11	40	119888-91311	23	13	124195-77770	17	23
104200-66850	16	12	119823-49100	11	39	119888-91320	23	17		19	23
104200-66860	16	13	119836-77200	21	1	119888-91330	23	18	124240-01871	2	8
104200-92350	24	35	119836-77201	21	1 -1	119888-91610	23	31	124250-49351	10	36
104200-92600	24	36	119836-77700	21	2	119888-91620	23	32	124395-49840	10	18 -1
104507-07190	23	14	119836-77710	21	4	119908-61501	13	45 -1		24	21 -1
105025-59750	14	77	119836-77721	21	5	119988-61070	13	14	124450-44510	11	24
	15	25	119836-77730	21	6	119988-61400	13	29	124450-44530	11	26
114250-39450	9	36 -1	119836-77741	21	7	119988-61460	13	37	124450-44550	11	29
114250-53080	14	11	119836-77750	21	8	120130-11860	4	12	124450-44560	11	27
114250-53120	14	15	119836-77760	21	9	120323-61470	13	112	124460-11340	4	24
114250-53130	14	16	119836-77770	21	10	121000-13201	6	12		24	14
114250-53140	14	17	119836-77780	21	11		24	13	124465-44950	10	34
114250-53210	14	18	119836-77790	21	15	121023-01550	2	25		24	23
114250-53400	14	19	119836-77800	21	16	121023-26070	7	31		2	36
119131-18320	6	9	119836-77810	21	19	121111-21501	8	13	124550-01590	2	36
119259-44570	11	5	119836-77820	21	20	121250-44901	10	33		39	39
		47	119836-77830	21	21	121250-59550	14	60	124550-21600	8	21
119305-59120	14	31	119836-77840	21	17	121256-44600	11	30	124550-51350	12	47
119358-13640	6	18	119836-77850	21	3	121400-11340	4	23	124550-51370	12	48
119600-66840	13	95	119836-77860	21	18		24	5	124550-59820	9	43
119620-01750	3	5	119836-77871	21	12	121400-44650	11	8	124550-59830	9	42
119620-13501	6	13	119836-77880	21	13	121400-91140	23	3	124550-66370	13	78
119620-13510	6	14	119836-77890	21	14	121400-91520	23	29	124550-77030	23	1
119620-13520	6	15	119836-77920	21	24	121400-91530	23	30	124559-77971	23	22
119620-13560	6	16	119840-59500	14	61	121450-01560	2	6	124664-13580	6	17
119621-66610	13	116	119840-59560	14	63	121450-42450	10	32	124701-11911	6	3
119621-66710	13	118	119840-59570	14	64	121520-34810	9	21		24	12 -1
119625-11870	4	26	119865-21600	8	17	121521-12400	5	7		23	13 -1
	24	6			25	121550-23200	8	44	124732-77720	23	19
119625-11880	4	27	119888-01600	3	2	121550-49111	10	31	124766-59050	11	41
	24	7	119888-08110	11	2	121750-59890	11	49		14	44
119625-11900	4	28	119888-13502	6	29		23	42		15	21
119640-01640	3	9	119888-21450	8	26			45		15	21
119653-77950	13	105	119888-66110	16	6	121850-21680	8	12		24	24
119660-61901	13	76	119888-66120	16	1	121850-51960	2	12	124770-91220	23	28
119685-61940	13	96	119888-66130	16	7		24	4	124950-51190	12	28
119685-61950	13	97	119888-66150	16	2	121855-13821	6	19	126650-12680	5	26
119808-12520	5	17	119888-66160	16	4	121855-13830	6	20	126650-66020	16	5
		22	119888-89100	22	1	122117-51560	12	66	128300-77920	23	21
119808-12530	5	18	119888-89110	22	2	122710-51090	12	19	129001-01250	1	12 -1
		23	119888-89210	22	4	123500-13840	6	21	129001-01340	1	31
119808-12540	5	19	119888-91022	23	2	124066-59100	14	59		24	3
		25	119888-91031	23	24			62	129001-02930	1	24

## Parts No. Index

Parts No.	Fig. No.	Ref. No.
129001-11700	4	5
129001-12100	5	1
129001-12110	5	3
	24	10
129001-13100	6	1
129001-13110	6	4
	24	11
129001-21100	8	1
129001-22070	8	30
129001-22081	8	29
129001-22500	8	33
129001-22901	8	47
129001-22930	8	48
129001-22950	8	51
129001-32001	9	1
129001-35300	9	32
129001-42002	10	1
129001-42003	10	1 -1
129001-42040	10	20
129001-91841	2	23
129002-59810	14	39
129002-59820	14	46
129002-59831	14	53
129051-11700	4	6
129051-12530	5	24
129052-55620	15	1
129052-59710	14	38
129052-59711	14	38 -1
129052-59720	14	45
129052-59730	14	52
129052-59810	14	40
129052-59820	14	47
129052-59830	14	54
129052-61050	13	10
129052-61060	13	12
129052-61070	13	13
129052-61390	13	44
129052-61500	13	45
129052-61540	13	65
129100-01580	3	1
		21
	8	2
129100-01640	3	22
129100-01730	3	12
129100-01760	3	14
129100-11100	4	18
129100-11110	4	19
129100-11240	4	30
129100-11650	4	38
129100-13110	6	2

Parts No.	Fig. No.	Ref. No.
129100-23910	8	43
129100-25061	7	9
129100-35301	9	27
129100-42020	10	23
	24	18
129100-49840	10	18
	24	21
129100-51300	12	38
129100-52100	12	119
129100-55650	15	4
129100-55670	15	6
129100-55680	15	7
129100-55690	15	8
129100-55700	15	9
129100-59951	14	66
129100-61400	13	28
129100-61440	13	99
129100-61650	13	101
129100-61930	13	107
129100-77330	21	31
129115-59510	15	22
129116-61051	13	11
129120-44500	11	4
129120-44560	11	7
129120-77501	5	12
129129-14580	7	3
129129-77010	18	1
129129-77210	18	6
129129-77220	18	7
129129-77230	18	8
	20	8
129129-77240	18	9
	20	9
129129-77250	18	10
129129-77260	18	21
	20	21
129129-77270	18	22
	20	22
129129-77280	18	23
129129-77290	18	24
	20	24
129129-77300	18	25
129129-77310	18	27
129129-77320	18	28
	20	28
129129-77330	18	29
129129-77340	18	30
	20	30
129129-77350	18	31
	20	31

Parts No.	Fig. No.	Ref. No.
129129-77362	18	32
	20	32
129129-77380	18	34
	20	34
129129-77390	18	14
129129-77400	18	17
	20	16
129129-77410	18	18
	20	17
129129-77420	18	19
	20	19
129129-77430	18	20
	20	20
129129-77440	20	14
129129-77450	20	15
129129-77460	18	3
	20	3
129136-34800	9	20
129136-77251	21	29
129150-01200	1	30
129150-02020	1	7
129150-02450	7	4
129150-02870	1	32
129150-02930	1	27
129150-02940	1	35
129150-03020	4	50
129150-03070	4	51
129150-03080	4	52
129150-03100	2	11
129150-11230	4	39
129150-11280	4	33
129150-11290	4	34
129150-11310	4	55
	24	8
129150-11370	4	25
129150-11750	4	42
129150-11810	4	14
129150-13110	6	5
	24	12
129150-14101	7	7
129150-14200	7	1
129150-14400	7	2
129150-21200	8	5
129150-21650	8	10
129150-23600	8	45
129150-23610	8	55
129150-25101	7	10
129150-25301	7	19
129150-25900	7	15
129150-25920	7	13

Parts No.	Fig. No.	Ref. No.
129150-25931	7	20
129150-32020	9	14
	24	15
129150-35041	9	22
	24	16
129150-35091	9	23
129150-35101	9	29
129150-35111	9	30
	24	17
129150-35151	9	31
129150-35350	9	33
129150-39450	9	38
129150-49080	11	35
129150-49100	11	34
129150-49360	10	37
	24	22
129150-49811	10	17
	24	20
129150-59131	14	34
129150-59580	14	65
129150-77511	5	13
	24	9
129150-91400	2	28
129155-11241	4	29
129155-11260	4	31
129155-11270	4	32
129155-42350	10	27
129155-49800	10	16
129155-51020	12	12
129155-51050	12	16
129155-51060	12	17
129155-51140	12	25
129155-51180	12	27
129155-51200	12	29
129155-51270	12	36
129155-51280	12	37
	13	6
129155-51320	12	43
129155-51340	12	45
129155-51370	12	49
129155-51380	12	51
129155-51390	12	52
129155-51400	12	53
129155-51410	12	54
129155-51420	12	55
129155-51450	12	56
129155-51500	12	61
129155-51521	12	62
129155-51530	12	63
129155-51540	12	64

## Parts No. Index

Parts No.	Fig. No.	Ref. No.
129155-51550	12	65
129155-51570	12	68
129155-51580	12	69
129155-51591	12	70
129155-51600	12	71
129155-51700	12	90
129155-51701	12	90 -1
129155-51710	12	91
129155-51711	12	91 -1
129155-51750	12	92
129155-51751	12	92 -1
129155-51760	12	93
129155-51790	12	94
129155-51930	12	96
129155-51940	12	97
129155-52050	12	118
129155-61120	13	15
129155-61130	13	16
129155-61140	13	17
129155-61202	13	18
129155-61341	13	27
129155-61350	13	108
129155-61360	13	109
129155-61430	13	32
129155-61450	13	36
129155-61460	13	38
129155-61470	13	111
129155-61480	13	39
129155-61830	13	110
129155-61950	13	77
129156-51910	12	95
129171-51040	12	14
129188-08100	11	1
129188-21590	8	14
129188-44950	11	10
129188-44960	11	11
129188-44970	11	12
129188-44980	11	13
129202-22300	8	37
129208-51060	12	18
129208-54500	12	108
129209-49010	11	43
129209-49100	11	42
129209-51300	12	39
129209-53000	14	6
129210-59020	15	20
129210-59130	14	75
	15	23
129211-44940	11	9
129211-49020	11	32

Parts No.	Fig. No.	Ref. No.
129219-44941	11	9 -1
129219-44951	11	50
129219-44971	11	12 -1
129335-44740	10	38
129350-49560	10	14
129400-01520	2	5
129400-92430	24	32
129403-42380	10	26
129407-77010	20	1
129407-77210	20	6
129407-77220	20	7
129407-77250	20	10
129407-77280	20	23
129407-77300	20	25
129407-77310	20	27
129407-77330	20	29
129407-77390	20	13
129407-77410	20	18
129412-61500	13	46
129420-44510	11	46
129470-51101	12	20
129477-61720	13	104
129486-01670	3	25
129486-42021	10	23 -1
	24	18 -1
129486-42140	10	21 -1
	24	25 -1
129486-61201	13	20
129486-61501	13	46 -1
129486-61540	13	65 -1
129500-61650	13	102
129503-53000	14	4
129506-51100	12	21
129573-51330	12	44
129573-51340	12	46
129573-51370	12	50
129608-12501	5	15
129608-12511	5	16
129608-12560	5	8
129608-77010	19	1
129608-77110	19	4
129608-91132	23	6
129608-91140	23	8
129608-91151	23	4
129612-01600	3	3
129612-77260	21	30
129612-77700	21	22
129612-77710	21	23
129612-77730	21	25
129612-77740	21	26

Parts No.	Fig. No.	Ref. No.
129612-77750	21	27
129618-61200	13	21
129619-12210	5	6
129698-77010	17	1
129698-77020	17	2
	19	2
129698-77100	17	3
	19	3
129698-77101	17	3 -1
	19	3 -1
129698-77110	17	4
129698-77120	17	5
	19	5
129698-77130	17	7
	19	7
129698-77140	17	6
	19	6
129698-77150	17	8
	19	8
129698-77160	17	9
	19	9
129698-77161	17	9 -1
	19	9 -1
129698-77170	17	10
	19	10
129698-77180	17	17
	19	17
129698-77190	17	18
	19	18
129698-77200	17	19
	19	19
129698-77210	17	20
	19	20
129698-77220	17	21
	19	21
129698-77230	17	22
	19	22
129698-77240	17	15
	19	15
129698-77250	17	16
	19	16
129698-77260	17	11
	19	11
129698-77270	17	13
	19	13
129698-77280	17	14
	19	14
129795-01780	3	24
129795-01800	2	4
		35

Parts No.	Fig. No.	Ref. No.
129795-01950	2	10
129795-02411	1	10
129795-11120	4	20
129795-11180	4	21
129795-21661	8	11
129795-49551	10	15
	24	19
129900-07900	4	3
144626-91560	9	18
158552-61900	13	87 -1
170064-67210	16	23
170121-91100	23	15
171010-77850	23	20
171048-67010	16	8
171048-67130	16	17
171048-67140	16	18
171048-89120	22	3
171051-01921	1	6
171080-91100	23	25
171082-91100	23	26
171085-67100	16	14
171085-67110	16	15
171085-67120	16	16
171090-91010	23	23
171102-66080	16	9
171301-01640	3	15
171301-49010	11	31
171340-21580	8	22
171340-21590	8	18
171340-21650	8	9
171340-44740	10	28
171350-03090	4	1
171353-01520	2	32
171353-01580	2	33
171353-26000	7	23
171353-26081	7	29
	24	24
171353-26200	7	25
171353-44760	10	29
171353-61700	13	103
171375-39601	9	17
171420-01600	3	4
171420-34800	9	19
171488-61200	13	19
171488-61440	13	100
174307-51170	12	26
174307-51560	12	67
174307-51700	13	47
194180-51640	23	43
22117-040000	13	79

## Parts No. Index

Parts No.	Fig. No.	Ref. No.
22117-050000	23	39
22117-060000	16	29
22137-080000	11	14
		53
22137-100000	16	24
22157-060000	11	51
22190-060002	13	81
22190-060003	13	80
22190-080002	2	13
		14
	9	44
		45
22190-080003	2	37
		40
22190-100002	9	16
		13
		82
22190-120002	13	83
		14
		74
		15
		19
22190-160002	12	106
22190-220002	3	11
22217-050000	12	107
		23
		40
22217-060000	12	98
22217-080000	23	49
22217-100000	11	15
		16
		25
22217-120000	7	17
		12
		110
		22
		11
22252-000260	8	38
22272-000050	16	26
22287-120000	13	84
22351-020006	16	19
22351-040010	8	8
22351-050010	12	99
22351-060012	4	44
22372-040000	13	85
22411-200150	16	20
22512-070140	7	8
		8
		6
22512-100700	22	5
23000-060000	5	9
23010-038000	11	33
23061-070230	11	28
23871-010000	1	11
23871-030000	10	12
23876-010000	1	11 -1
23876-030000	10	12 -1
23887-100002	13	86

Parts No.	Fig. No.	Ref. No.
24101-063034	12	100
24104-062054	8	27
24105-060064	7	28
24151-222090	22	6
24311-000120	4	60
	24	27
24311-000160	2	15
	9	34
	15	11
	24	28
24311-000320	2	16
	4	74
	24	29
24311-240100	15	12
24321-000300	10	21
	24	25
24321-000650	15	13
24321-000850	7	21
	24	26
24341-000160	12	101
24341-000240	2	26
		30
	24	30
24341-000250	3	17
24341-000280	13	87
24341-000500	4	57
	24	31
24421-456209	22	7
24421-557209	22	8
24754-320020	22	9
25132-003700	10	24
25132-003800	10	25
26014-060402	10	39
26014-080702	15	16
26022-050102	12	102
26022-050122	12	102 -1
26022-060162	12	103
26033-060202	23	46
26106-060102	13	88
		89
		90
	16	27
	23	38
26106-060142	11	52
	13	91
26106-060162	2	27
		31
26106-060202	13	92
26106-060352	10	30
26106-060402	6	27

Parts No.	Fig. No.	Ref. No.
26106-080122	2	17
	11	16
	23	7
26106-080142	7	16
	11	16 -1
26106-080162	2	18
		19
		38
		41
	3	18
	4	4
		58
	10	22
	11	17
		45
		16
		30
	23	47
26106-080182	5	10
		11
26106-080202	2	20
	5	4
	9	35
	10	19
	11	18
	22	10
26106-080222	8	28
26106-080252	3	19
	4	45
	11	19
26106-080352	3	26
	5	14
	9	28
26106-080402	6	7
26106-080452	2	21
	3	20
		20 -1
	7	14
26106-080502	3	28
	4	46
	21	33
26106-080552	2	22
	6	22
26106-080602	10	13
26106-080802	5	5
	6	8
26106-100122	23	48
26106-100202	11	3
26106-100222	22	12
26106-100302	11	20
26106-100452	7	22

Parts No.	Fig. No.	Ref. No.
26116-050302	12	104
26116-060082	16	21
26116-120252	17	24
	18	35
	19	24
	20	35
26206-100252	3	6
26206-100302	3	7
26206-120352	22	13
26216-060202	4	16
26216-080402	6	10
26216-080802	6	11
26226-080182	4	43
26306-080002	6	25 -1
		28 -1
	11	21 -1
26347-040002	6	23
26347-060002	6	24
26366-060002	4	47
26366-080002	2	24
	6	6
		25
		28
		28
		11
		13
		23
		44
26450-060252	9	15
26450-080282	7	30
26557-040352	6	26
26657-100002	16	28
26687-120002	13	106
26716-050002	23	41
26716-060002	12	105
26716-100002	11	22
26716-120002	7	18
	12	111
26756-050002	16	3
26756-060002	13	93
26756-080002	23	9
26756-100002	11	23
26776-120002	13	94
26921-050122	16	22
27231-500000	1	12
27241-120000	1	13
27241-300000	1	14
27241-400000	4	17
27310-080001	4	22
28110-100120	24	37
28110-140170	24	38
28110-190220	24	39

## Parts No. Index

Parts No.	Fig. No.	Ref. No.
28210-000140	24	40
719810-01500	2	1
719810-53100	14	2
721400-92102	24	34
729001-01560	1	1
729001-92650	24	1
729001-92660	24	2
729102-01540	3	8
729132-11521	4	48
729209-51300	12	2
729209-51310	12	4
729209-51350	12	1
729209-51460	12	3
729209-51470	12	5
729209-53100	14	3
729402-11650	4	37
729402-23100	8	39
729503-53100	14	1
933110-00100	23	33
933110-00301	23	35
977770-01212	2	9
	3	27
	24	33
X0280210230	18	11
	20	11
X0283060061	18	2
	20	2
X0283270140	18	12
	20	12
X2114535200	17	12
	19	12
X2411367340	11	6
		48
X9490561370	18	4
	20	4
X9491200240	18	5
	20	5
X9491703371	18	13
X9491730461	18	26
	20	26

Parts No.	Fig. No.	Ref. No.
-----------	----------	----------

Parts No.	Fig. No.	Ref. No.
-----------	----------	----------

Parts No.	Fig. No.	Ref. No.
-----------	----------	----------