

0CV10-M41901EN

P R E F A C E

1. This Parts Catalog carries all parts incorporated in YANMAR Model 3TNE88 - ACG & 3TNE88 - ACGD engines manufactured since March, 1996.
2. Each illustration corresponds to the parts list on the following page.
3. When ordering parts, clearly write down the engine model and serial number, as well as the name and number of each part in your order sheet. This will help insure reliable delivery of the parts you have ordered.

Directions for the Parts Catalog.

1. This Parts Catalog shows both standard and optional parts.
2. Parts may change without prior notice.
3. The following is an example of the Parts Catalog format.

REF.	LEV.	PARTS NO.	DESCRIPTION	Q'TY						I	R
				(A)	(B)	(C)	(D)	(E)	(F)		
1	1	729595-51390	FUEL INJECTION PUMP	1	1	1	1	1			1
1-1	1	729595-51391	FUEL INJECTION PUMP	1	1	1	1	1		N	1
		(A=E00185) (B=E00200)									
3	2	26022-060162	SCREW M 6X 16	9	9	9	9	9			
3-1	2	26022-060162	SCREW M 6X 16	4	4	4	4	4		K	
		(A=E00156) (B=E00156) (C=E00156) (D=E00156) (E=E00156)									
4	2	129470-51040	CAMSHAFT	1	1	1	1	1			
5	2	122710-51050	BEARING, ROLLER	2	2	2	2	2			
6	2	129470-51060	RETAINER	1	1	1	1	1			

Remarks
(1) BOOST COMPEMSATOR TYPE. OPTIONAL PART, TO E00155,(4JH-DT, 4JH-DTZ

① Ref. No.

The Ref. No. listed may not be in accordance with the illustration Ref. No.

(Ex.) Illustration No. List Ref No.

1 1 (Before change) → 1-1 (After change)

For interchangeable symbols N, R and K, illustrations for new parts may be abbreviated.

② Lev. (Level)

Level indication

The numbers below indicate the level of relativity towards the main part.

1 ---- Main parts (Assembly parts)

2 ---- Sub component included in " 1 ".

3 ---- Sub component included in " 2 ".

Note) Parts that are not for sale are partially illustrated but not listed.

③ Interchangeability Symbol

When a part change takes place, one of the following interchangeability symbols is indicated beside the part.

Symbol	Interchangeability	Contents note
N	Old $\begin{matrix} \leftarrow \text{Yes} \\ \text{No} \rightarrow \end{matrix}$ New	New Part is interchangeable for Old Part but Old Part is not interchangeable for New Part.
Q	Old $\begin{matrix} \leftarrow \text{No} \\ \text{Yes} \rightarrow \end{matrix}$ New	New Part is not interchangeable for Old Part but Old Part is interchangeable for New Part.
R	Old $\begin{matrix} \leftarrow \text{Yes} \\ \text{Yes} \rightarrow \end{matrix}$ New	New/ Old Parts are both interchangeable.
S	Old $\begin{matrix} \leftarrow \text{No} \\ \text{No} \rightarrow \end{matrix}$ New	New/ Old Parts are both not interchangeable.
W		Part newly added.
Z		Part discontinued.
F		Not interchangeable by a single part but interchangeable together with related parts.
K		Changes only for used parts quantities.

④ Effective Machine No.

When a part changes, the effective Machine No. will be indicated in the (A)-(F) column.

Product Symbol	Product No.	Product Symbol	Product No.
C	Clutch No. Compressor No.	F	Machine No. (Agricultural Equip.)
D	Drive No.	M	Machine No.
E	Engine No.		

Note 1) A date may follow the symbol. (Ex.) 1996.01

Note 2) "XXXXX" and "ZZZZZ" are for parts that could not be predicted or for engine models that could not be identified.

Note 3) (A=E00185) is the E (Engine Serial Number) for the column (A) model (in this case 4JH-DT) after the parts design change.

⑤ Remarks

Figures or alphabets (symbols) are entered in the remarks column.

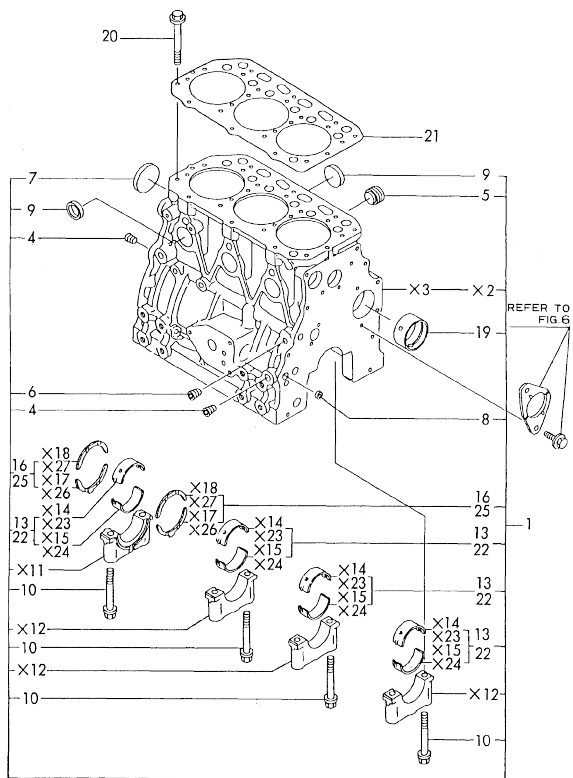
The comments (remarks) on parts that are indicated at the bottom of the illustration are the same symbols as those stated above.

Contents

Fig. No.	Fig. Name	Fig. No.	Fig. Name
ENGINE SECTION (3TNE88-ACG(D))			
1.	CYLINDER BLOCK		
2.	GEAR HOUSING		
3.	FLYWHEEL HOUSING & OIL SUMP		
4.	CYLINDER HEAD & BONNET		
5.	SUCTION & EXHAUST MANIFOLD		
6.	CAMSHAFT & DRIVE GEAR		
7.	CRANKSHAFT & PISTON		
8.	LUB. OIL SYSTEM		
9.	COOLING WATER SYSTEM		
10.	FUEL INJECTION PUMP		
11.	GOVERNOR		
12.	FUEL INJECTION VALVE		
13.	FO STRAINER & O/W SEPARATOR		
14.	ENGINE STOP DEVICE		
15.	STARTING MOTOR		
16.	GENERATOR		
17.	GASKET SET & TOOL(OPTIONAL)		
18.	GOVERNOR		

Fig.1. CYLINDER BLOCK

Fig. 1 CYLINDER BLOCK



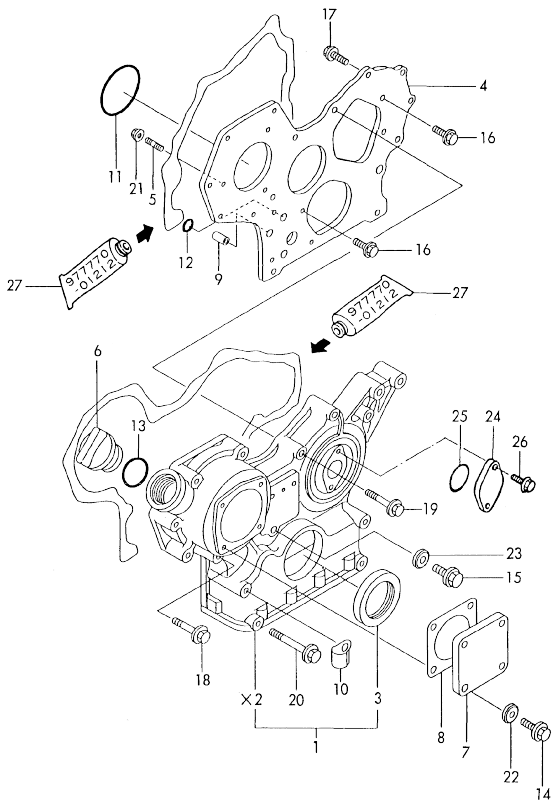
No.	Lev.	Parts No.	Description	Q'ty						I	R
				(A)	(B)	(C)	(D)	(E)	(F)		
1	1	729001-01560	BLOCK ASSY, CYLINDER	1	1						
4	2	124160-01910	PLUG, PT1/4	3	3						
5	2	171051-01921	PLUG, NPTF1	1	1						
6	2	23871-010000	PLUG, R01	1	1						
7	2	27231-500000	PLUG 50	1	1						
8	2	27241-120000	PLUG, 12	2	2						
9	2	27241-300000	PLUG 30	6	6						
10	2	129150-02020	BOLT, METAL CAP	8	8						
13	2	129001-02800	BEARING, MAIN	4	4						
16	2	129150-02930	BEARING, THRUST	2	2						
19	2	129795-02411	BUSH, CAMSHAFT	1	1						
20	1	129150-01200	BOLT, HEAD	14	14						
21	1	129001-01340	GASKET, HEAD	1	1						A
22	1	129150-02870	BEARING, 0.25 US	4	4						1
25	1	129150-02940	BEARING, THRUST 0.25	2	2						2

Remarks

- (1) UNDER-SIZE(U.S=0.25)PART.
- (2) OVER-SIZE(O.S=0.25)PART.
- (A) THIS PART IS ALSO SOLD BY GASKET SET(FIG 16,REF NO.1,P# 729131-92602).

Fig.2. GEAR HOUSING

Fig.2 GEAR HOUSING



No.	Lev.	Parts No.	Description	Q'ty						I	R
				(A)	(B)	(C)	(D)	(E)	(F)		
1	1	719810-01500	CASE ASSY, GEAR	1	1						
3	2	129795-01800	SEAL, OIL	1	1						
4	1	129400-01520	FLANGE, GEAR CASE	1	1						
5	1	121450-01560	STUD, M8X22	3	3						
6	1	124160-01751	COVER, FILLER	1	1						
7	1	124240-01871	COVER	1	1						
8	1	124240-01883	GASKET	1	1						A
9	1	129795-01950	PIPE, KNOCK L=18	2	2						
10	1	129150-03100	RETAINER, PIPE	1	1						
11	1	121850-51960	O-RING	1	1						A
12	1	24311-000160	O-RING, 1AP16.0	2	2						
13	1	24311-000320	O-RING, 1AP32.0	1	1						A
14	1	26106-080122	BOLT, M8X 12 PLATED	4	4						
15	1	26106-080162	BOLT, M8X 16 PLATED	1	1						
16	1	26106-080162	BOLT, M8X 16 PLATED	3	3						
17	1	26106-080202	BOLT, M8X 20 PLATED	2	2						
18	1	26106-080452	BOLT, M8X 45 PLATED	6	6						
19	1	26106-080552	BOLT, M8X 55 PLATED	3	3						
20	1	26106-080852	BOLT, M8X 85 PLATED	4	4						
21	1	26366-080002	NUT, M8	3	3						
22	1	22190-080002	WASHER, SEAL 6	4	4						
23	1	22190-080002	WASHER, SEAL 6	1	1						
24	1	121023-01550	COVER	1	1						
25	1	24341-000240	O-RING, 1AS24.0	1	1						
26	1	26106-060122	BOLT, M6X 12 PLATED	2	2						
27	1	977770-01212	GASKET, LIQUID	1	1						W 1

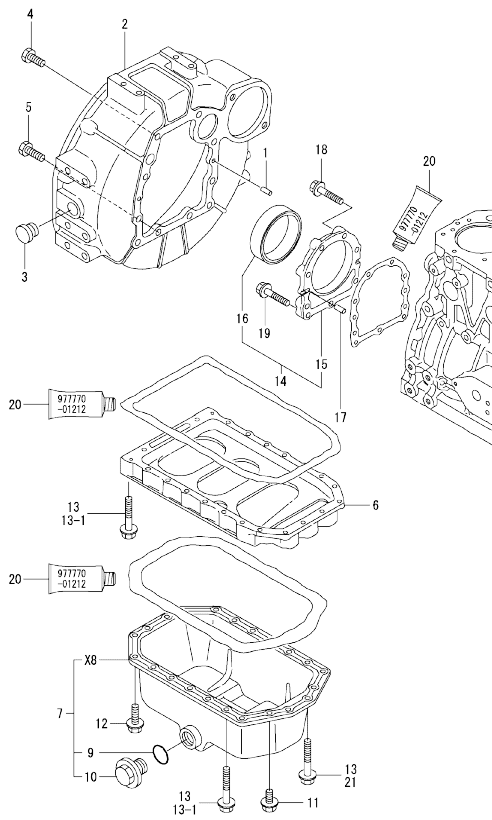
(A)=EXXX

Remarks

(A) THIS PART IS ALSO SOLD BY GASKET SET (FIG 18, REF NO.1, P/# 729131 -92602).
 (1) OPTIONAL PART.

OCV10-M41901

Fig.3. FLYWHEEL HOUSING & OIL SUMP



× MARK PARTS: NOT SOLD SEPARATELY.

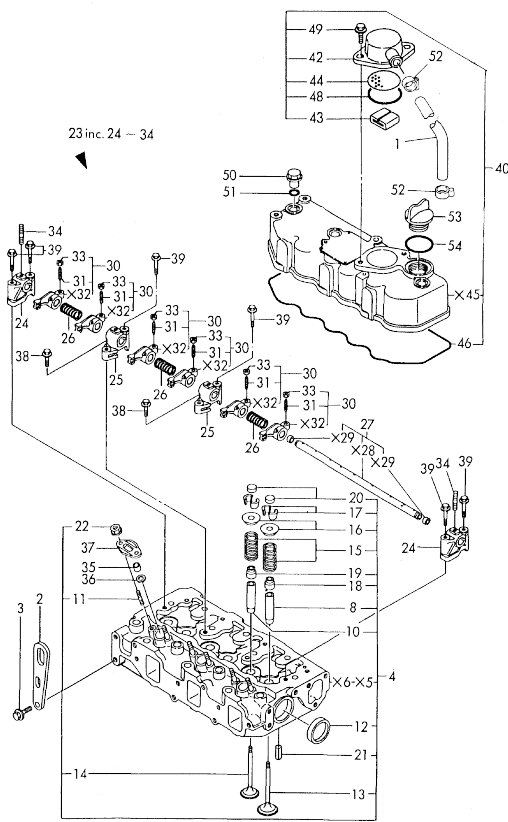
Remarks
(1) OPTIONAL PART.

No.	Lev.	Parts No.	Description	Qty						I	R
				(A)	(B)	(C)	(D)	(E)	(F)		
1	1	129100-01580	PIN, M8X16		2	2					
2	1	171420-01600	HOUSING, FLYWHEEL		1	1					
3	1	119620-01750	CAP		1	1					
4	1	26206-100252	BOLT, M10X 25 PLATED		6	6					
5	1	26206-100302	BOLT, M10X 30 PLATED		4	4					
6	1	129100-01730	SPACER, OIL SUMP		1	1					
7	1	129100-01770	SUMP ASSY, OIL		1						
7-1	1	129100-01760	SUMP ASSY, OIL		1	1					N
		(A=E01765)									
9	2	22190-220002	WASHER, SEAL 22		1						
9-1	2	24341-000250	O-RING, 1AS25.0		1	1					N
		(A=E01765)									
10	2	119640-01640	PLUG, DRAIN M22		1						
10-1	2	171301-01640	PLUG, 22		1	1					N
		(A=E01765)									
11	1	26106-080162	BOLT, M8X 16 PLATED		4	4					
12	1	26106-080252	BOLT, M8X 25 PLATED		2	2					
13	1	26106-080452	BOLT, M8X 45 PLATED		20	20					
13-1	1	26106-080452	BOLT, M8X 45 PLATED		16	16					K
		(A=FROM 1ST) (B=FROM 1ST)									
14	1	129100-01640	CASE ASSY, OIL SEAL		1	1					
15	2	129150-01650	CASE, OIL SEAL		1	1					
16	2	129795-01780	SEAL, OIL		1	1					
17	1	129100-01580	PIN, M8X16		2	2					
18	1	26106-080302	BOLT, M8X 30 PLATED		6	6					
18-1	1	129486-01670	BOLT, M8X30		6	6					R
		(A=E05255) (B=E12467)									
19	1	26106-080352	BOLT, M8X 35 PLATED		3	3					
20	1	977770-01212	GASKET, LIQUID		1	1					W 1
		(A=E0XXX)									
21	1	26106-080502	BOLT, M8X 50 PLATED		4	4					W
		(A=FROM 1ST) (B=FROM 1ST)									

N:Old $\frac{YES}{NO}$ New, Q:Old $\frac{H}{VCC}$ New, R:Old $\frac{YES}{NO}$ New, S:Old $\frac{H}{NO}$ New, W:Add, Z:Discontinued, F:Interchangeable by set, K:Qty Change
Copyright (C) YANMAR CO., LTD. All Rights Reserved.

Fig.4. CYLINDER HEAD & BONNET

Fig.4 CYLINDER HEAD & BONNET



Remarks

(1) REPAIR PART.
 (A) THIS PART IS ALSO SOLD BY GASKET SET (FIG 18, REF NO.1, P/# 729131 -92602).

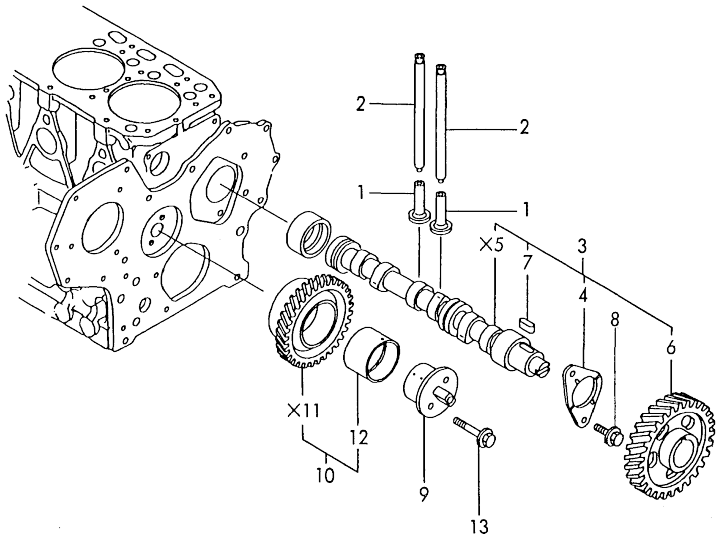
(A)=3TNE88-ACG
 (B)=3TNE88-ACGD
 (C)=

(D)=
 (E)=
 (F)=

No.	Lev.	Parts No.	Description	Q'ty						I	R
				(A)	(B)	(C)	(D)	(E)	(F)		
1	1	129219-03100	PIPE, BREATHER	1	1						
2	1	124736-07900	LIFTER	2	2						
3	1	26106-080142	BOLT, M8X 14 PLATED	4	4						
4	1	729001-11700	HEAD ASSY, CYLINDER	1	1						
8	2	120130-11860	GUIDE, VALVE	3	3						1
10	2	129150-11810	GUIDE, VALVE	3	3						1
11	2	26216-060202	STUD, M6X 20	6	6						
12	2	27241-400000	PLUG, 40	2	2						
13	2	129100-11100	VALVE, INTAKE	3	3						
14	2	129100-11110	VALVE, EXHAUST	3	3						
15	2	129795-11120	SPRING, VALVE	6	6						
16	2	129795-11180	RETAINER, SPRING	6	6						
17	2	103338-11190	COTTER	6							
17-1	2	27310-080001	COTTER, 8	6	6						N
(A=EXXXXX)											
18	2	121400-11340	SEAL, VALVE STEM	3	3						
19	2	124460-11340	SEAL, VALVE STEM	3	3						
20	2	129150-11370	CAP, VALVE	6	6						
21	2	22351-060012	PIN, SPRING 6.0X12	2	2						
22	2	26366-060002	NUT, M6	6	6						
23	1	129100-11240	SHAFT ASSY, ROCKER	1	1						
24	2	129155-11260	SUPPORT, ROCKER ARM	2	2						
25	2	129155-11270	SUPPORT, ROCKER ARM	2	2						
26	2	129150-11280	SPRING	3	3						
27	2	129150-11290	SHAFT, ROCKER ARM	1	1						
30	2	129100-11650	ARM, ROCKER	6	6						
31	3	129150-11230	SCREW, VALVE ADJUST	6	6						
33	3	129150-11750	NUT, M8	6	6						
34	2	26226-080182	STUD, M8X 18	3	3						
35	1	119625-11871	PROTECTOR, NOZZLE	3	3						
36	1	119625-11880	SEAT, NOZZLE	3	3						
37	1	119625-11900	RETAINER, NOZZLE	3	3						
38	1	26106-080252	BOLT, M8X 25 PLATED	2	2						
39	1	26106-080502	BOLT, M8X 50 PLATED	6	6						
40	1	129100-11350	BONNET ASSY, HEAD	1	1						
42	2	129150-03020	COVER, BREATHER	1	1						
43	2	129150-03070	BAFFLE, BREATHER	1	1						
44	2	129150-03080	PLATE, BAFFLE	1	1						
46	2	129150-11310	GASKET, BONNET	1	1						A
48	2	24341-000500	O-RING, 1AS50.0	1	1						A
49	2	26106-080162	BOLT, M8X 16 PLATED	2	2						
50	1	124160-11360	KNOB	3	3						
51	1	24311-000120	O-RING, 1AP12.0	3	3						A
52	1	129410-03990	CLIP	2	2						
53	1	124160-01751	COVER, FILLER	1	1						
54	1	24311-000320	O-RING, 1AP32.0	1	1						A

Fig.6. CAMSHAFT & DRIVE GEAR

Fig. 6 CAMSHAFT & DRIVING GEAR

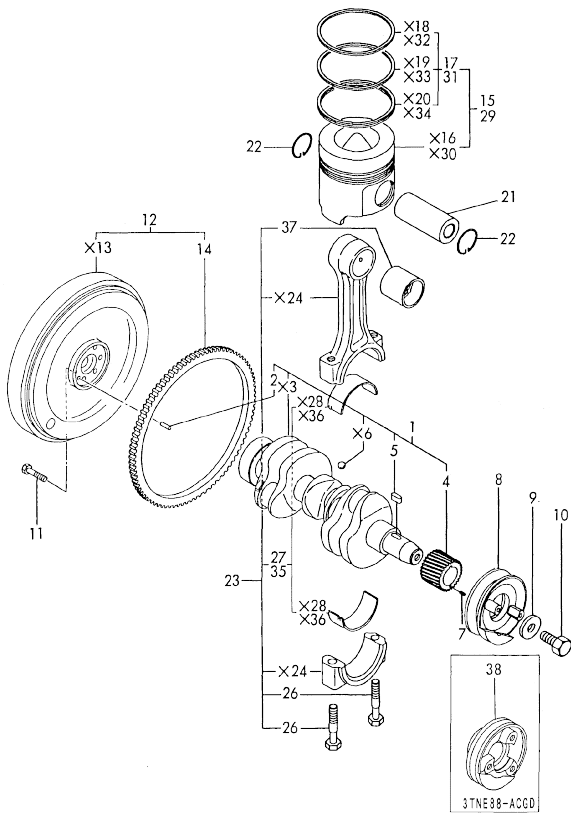


(A)=3TNE88-ACG
(B)=3TNE88-ACGD
(C)=
(D)=
(E)=
(F)=

No.	Lev.	Parts No.	Description	Q'ty					
				(A)	(B)	(C)	(D)	(E)	(F)
1	1	129150-14200	TAPPET	6	6				
2	1	129150-14400	ROD, PUSH L=178	6	6				
3	1	129129-14580	CAMSHAFT ASSY	1	1				
4	2	129150-02450	BEARING, THRUST	1	1				
6	2	129150-14101	GEAR, CAMSHAFT	1	1				
7	2	22512-070140	KEY, 7X 14	1	1				
8	1	26106-080162	BOLT, M8X 16 PLATED	2	2				
8-1	1	26106-080142 (A=E05255) (B=E12467)	BOLT, M8X 14 PLATED	2	2				N
9	1	129100-25061	SHAFT, IDLE	1	1				
10	1	129150-25101	GEAR ASSY, IDLE	1	1				
12	2	129150-25061	BUSH, IDLE GEAR	1	1				
13	1	26106-080452	BOLT, M8X 45 PLATED	2	2				

Fig.7. CRANKSHAFT & PISTON

Fig.7 CRANKSHAFT & PISTON



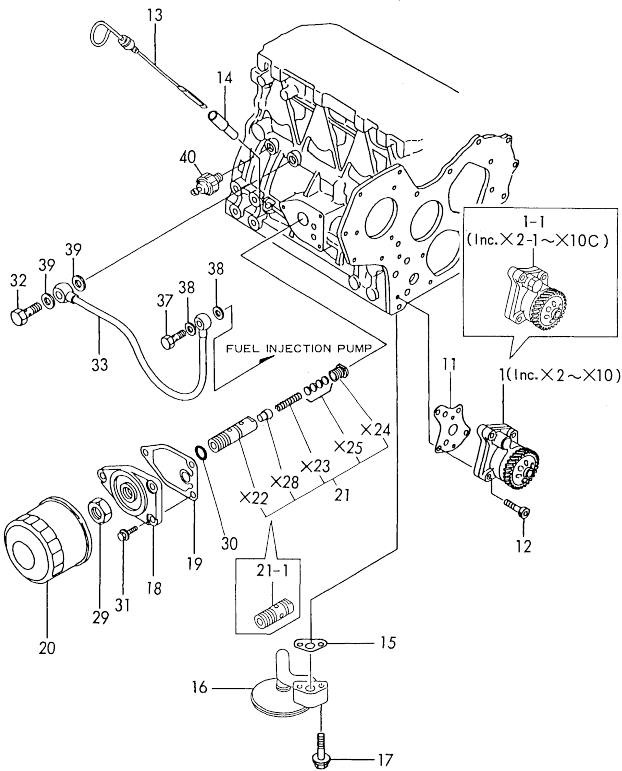
No.	Lev.	Parts No.	Description	Q'ty						
				(A)	(B)	(C)	(D)	(E)	(F)	
1	1	129001-21000	CRANKSHAFT ASSY	1	1					
2	2	129100-01580	PIN, M8X16	1	1					
4	2	129150-21200	GEAR, CRANKSHAFT	1	1					
5	2	22512-070140	KEY, 7X 14	1	1					
7	1	22351-040010	PIN, SPRING 4.0X10	1	1					
8	1	129150-21650	V-PULLEY	1						
9	1	129795-21661	WASHER	1	1					
10	1	121850-21680	BOLT	1	1					
11	1	121111-21501	BOLT, FLYWHEEL	6	6					
12	1	171340-21590	FLYWHEEL ASSY	1	1					
14	2	124550-21600	GEAR, RING	1	1					
15	1	129001-22081	PISTON ASSY	3	3					
17	2	129001-22500	RING SET, PISTON	3	3					
21	1	129202-22300	PIN, PISTON D26 L70	3	3					
22	1	22252-000260	RING, 26	6	6					
23	1	729402-23100	ROD ASSY, CONNECTING	3	3					
26	2	121550-23200	BOLT, CONNECTING ROD	6	6					
27	2	129150-23600	BEARING, CRANK PIN	3	3					
29	1	129001-22900	PISTON ASSY, 0.25 OS	3	3					1
31	2	129001-22950	RING SET, 0.25 OS	3	3					1
35	1	129150-23610	BEARING, 0.25 US	3	3					2
37	1	129100-23910	BEARING, PISTON PIN	3	3					3
38	1	129116-21650	V-PULLEY	1						

Remarks

- (1) OVER-SIZE(O.S=0.25)PART.
- (2) UNDER-SIZE(U.S=0.25)PART.
- (3) REPAIR PART.

Fig.8. LUB. OIL SYSTEM

Fig.8 LUB. OIL SYSTEM

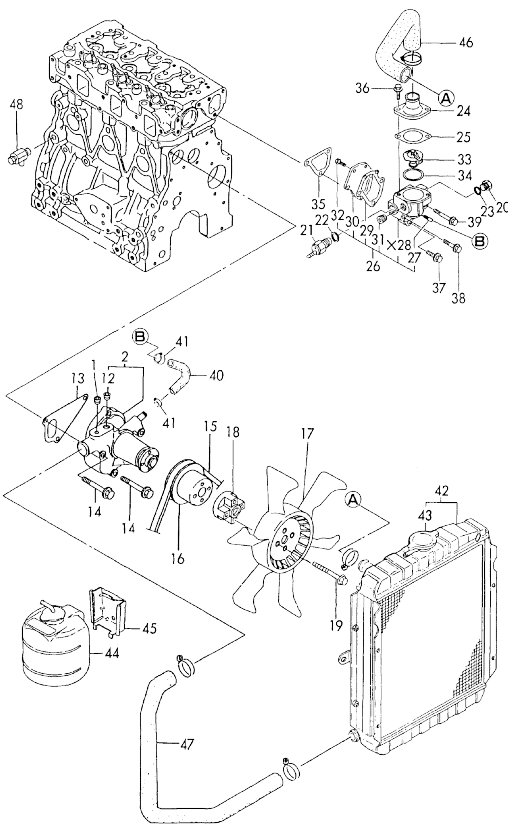


Remarks
 (A) THIS PART IS ALSO SOLD BY GASKET SET (FIG 18, REF NO.1, P# 729131 -92602).
 (1) REF. NO. 1-1 & 21-1 INTERCHANGEABLE BY SET.

No.	Lev.	Parts No.	Description	Q'ty						I	R
				(A)	(B)	(C)	(D)	(E)	(F)		
1	1	129150-32000	PUMP ASSY, OIL	1							
1-1	1	129001-32001	PUMP ASSY, OIL	1	1						F 1
(A=E01658)											
11	1	129150-32020	GASKET, PUMP	1	1						A
12	1	26450-060252	BOLT, M6X 25	4	4						
13	1	171420-34820	DIPSTICK, OIL	1	1						
14	1	121520-34810	GUIDE, DIPSTICK	1	1						
15	1	129150-35041	GASKET	1	1						A
16	1	129100-35300	PIPE ASSY, OIL INLET	1							
16-1	1	129100-35301	PIPE ASSY, OIL INLET	1	1						N
(A=E02661)											
17	1	26106-080352	BOLT, M8X 35 PLATED	2	2						
18	1	129150-35101	BRACKET, STRAINER	1	1						
19	1	129150-35111	GASKET	1	1						A
20	1	129150-35151	FILTER, D80XL80	1	1						
21	1	119865-35300	VALVE ASSY, CONTROL	1							
21-1	1	129001-35300	BOLT, FILTER	1	1						F 1
(A=E01658)											
29	1	129150-35350	NUT	1	1						
30	1	24311-000160	O-RING, 1AP16.0	1	1						
31	1	26106-080202	BOLT, M8X 20 PLATED	3	3						
32	1	124160-39140	BOLT, PIPE JOINT M10	1	1						
33	1	129150-39450	PIPE ASSY, OIL	1	1						
37	1	124550-59820	BOLT, PIPE JOINT M8	1	1						
38	1	23414-080000	GASKET, 8X1.0	2	2						
39	1	23414-100000	GASKET, 10X1.0	2	2						
40	1	119265-39450	SWITCH	1	1						

Fig.9. COOLING WATER SYSTEM

Fig. 9 COOLING WATER SYSTEM



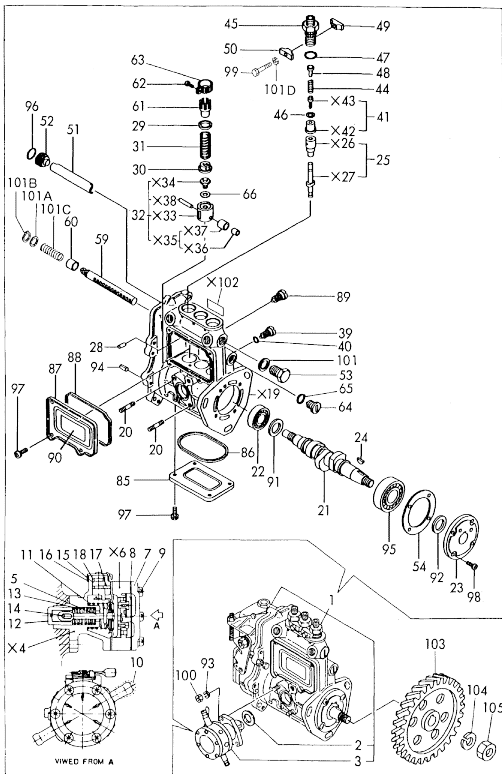
No.	Lev.	Parts No.	Description	Q'ty						I	R
				(A)	(B)	(C)	(D)	(E)	(F)		
1	1	121850-11860	PLUG, PT1/4	1	1						
2	1	129100-42002	PUMP ASSY, WATER	1	1						
2-1	1	129100-42003	PUMP ASSY, WATER	1	1						N
12	2	23871-030000	PLUG, R03	1	1						
13	1	129100-42020	GASKET, WATER PUMP	1	1						A
14	1	26106-080602	BOLT, M8X 60 PLATED	3	3						
15	1	124732-42290	V-BELT, AX37	1	1						
15-1	1	25132-003700	V-BELT, A37	1	1						R
16	1	129155-42350	V-PULLEY	1	1						
17	1	171340-44740	FAN, COOLING D335XNF	1	1						
18	1	171353-44760	SPACER, FAN	1	1						
19	1	26106-060352	BOLT, M6X 35 PLATED	4	4						
20	1	121450-42450	PLUG, M16	1	1						
21	1	129110-44900	SWITCH	1	1						
22	1	124465-44950	GASKET, 16	1	1						A
23	1	124465-44950	GASKET, 16	1	1						A
24	1	129350-49530	COVER, THERMOSTAT	1	1						
25	1	129795-49551	GASKET	1	1						A
26	1	129100-49800	CASE ASSY, THERMOSTAT	1	1						
27	2	124770-11770	JOINT, PIPE PT1/8	1	1						
29	2	129100-49820	GASKET	1	1						
30	2	129100-49830	COVER, THERMOSTAT	1	1						
31	2	23871-030000	PLUG, R03	1	1						
32	2	26116-060162	BOLT, M6X 16 PLATED	2	2						
33	1	129155-49800	THERMOSTAT, 71	1	1						
34	1	129150-49811	GASKET, THERMOSTAT	1	1						A
35	1	129100-49840	GASKET	1	1						A
36	1	26106-080202	BOLT, M8X 20 PLATED	2	2						
37	1	26106-080252	BOLT, M8X 25 PLATED	1	1						
38	1	26106-080502	BOLT, M8X 50 PLATED	1	1						
39	1	26106-080602	BOLT, M8X 60 PLATED	1	1						
40	1	129132-49050	PIPE, WATER	1	1						
41	1	23000-016000	CLAMP, 16	2	2						
42	1	129411-44500	RADIATOR	1	1						
43	2	123682-44210	CAP, RADIATOR	1	1						
44	1	120445-44530	TANK, SUB	1	1						
45	1	120445-44540	SUPPORT	1	1						
46	1	171301-49010	PIPE, WATER	1	1						
47	1	171301-49020	PIPE, WATER	1	1						
48	1	119620-49290	COCK ASSY, 1/4	1	1						

Remarks

(A) THIS PART IS ALSO SOLD BY GASKET SET (FIG 18, REF NO.1, P/# 729131 -92602).

Fig.10. FUEL INJECTION PUMP

Fig. 10 FUEL INJECTION PUMP



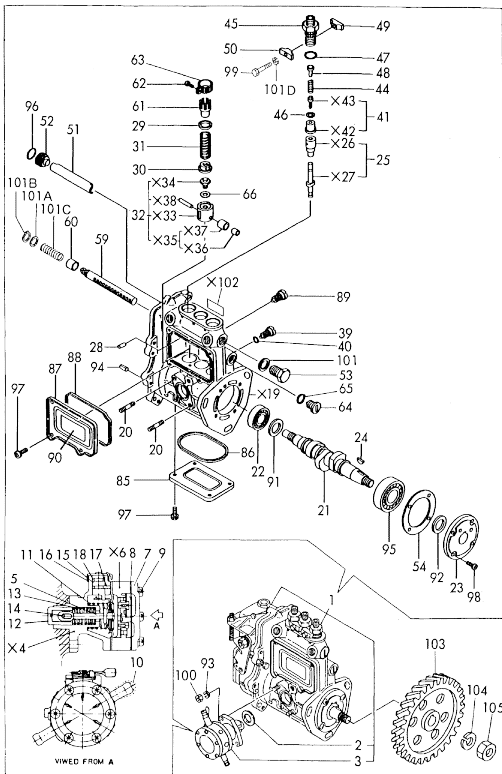
Remarks
 (1) GOVERNOR ASSY(FIG.NO.12) IS INCORPORATED IN THIS FOP CMP (REF.NO.1)
 (2) GOVERNOR ASSY(FIG.NO.18) IS INCORPORATED IN THIS FOP CMP (REF.NO.1A).

(A)=3TNE88-ACG (D)=
 (B)=3TNE88-ACGD (E)=
 (C)= (F)=

No.	Lev.	Parts No.	Description	Q'ty						I	R
				(A)	(B)	(C)	(D)	(E)	(F)		
1	1	729219-51310	PUMP ASSY, INJECTION	1							1
1A	1	729212-51210	PUMP ASSY, INJECTION		1						2
2	2	129155-52050	GASKET	1	1						
3	2	129100-52100	PUMP ASSY, FUEL FEED	1	1						
5	3	129158-52020	DIAPHRAGM	1	1						
7	3	129158-52060	COVER	1	1						
8	3	129158-52070	GASKET	1	1						
9	3	129158-52080	SCREW	6	6						
10	3	129158-52090	CAP	2	2						
11	3	129158-52160	SPRING	1	1						
12	3	129158-52250	TAPPET	1	1						
13	3	129158-52260	SPRING	1	1						
14	3	129158-52270	PIN	1	1						
15	3	129158-52350	LEVER	1	1						
16	3	129158-52360	SPRING, RETURN	1	1						
17	3	129158-52370	PIN	1	1						
18	3	129158-52380	O-RING	1	1						
20	2	129155-51020	STUD	2	2						
21	2	119810-51040	CAMSHAFT	1	1						
22	2	129155-51050	BEARING, 17BM001D	1	1						
23	2	129155-51060	SUPPORT, CAMSHAFT	1	1						
24	2	122710-51090	KEY	1	1						
25	2	129506-51100	PLUNGER ASSY	3	3						
28	2	129155-51140	PIN	3	3						
29	2	174307-51170	RETAINER, SPRING A	3	3						
30	2	129155-51180	RETAINER, SPRING	3	3						
31	2	124950-51190	SPRING, PLUNGER	3	3						
32	2	129155-51200	TAPPET ASSY	3	3						
39	2	129155-51270	STOPPER, TAPPET	3	3						
40	2	129155-51280	O-RING, S6	3	3						
41	2	129100-51300	VALVE ASSY, DELIVERY	3	3						
44	2	129155-51320	SPRING, DELIVERY	3	3						
45	2	129155-51340	RETAINER	3	3						
46	2	124550-51350	GASKET, DELIVERY	3	3						
47	2	124550-51370	O-RING	3	3						
48	2	129155-51370	STOPPER, VALVE	3	3						
49	2	129155-51380	STOPPER	2	2						
50	2	129155-51390	STOPPER	2	2						
51	2	129155-51400	DEFLECTOR	1	1						
52	2	129155-51410	BOLT	1	1						
53	2	129155-51420	PLUG, M16	1	1						
54	2	129155-51450	SHIM SET, ADJUSTING	1	1						
59	2	129155-51500	RACK, CONTROL	1	1						
60	2	129155-51521	BUSH, RACK	1	1						
61	2	129155-51550	PINION, CONTROL	3	3						
62	2	122117-51560	SCREW	3	3						
63	2	174307-51560	PINION	3	3						
64	2	129155-51570	PLUG, M12	1	1						
65	2	129155-51580	O-RING	1	1						
66	2	129155-51600	SHIM SET, ADJUSTING	3	3						
85	2	129155-51700	COVER	1	1						

Fig.10. FUEL INJECTION PUMP

Fig. 10 FUEL INJECTION PUMP

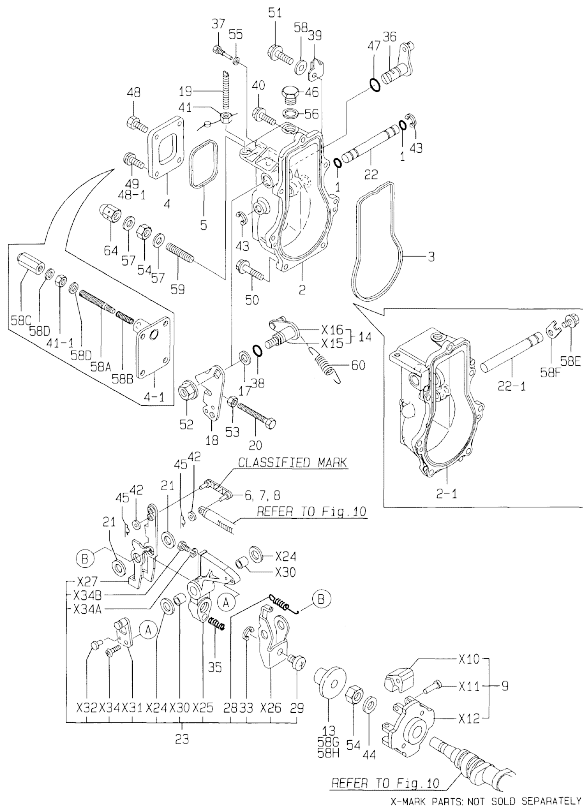


No.	Lev.	Parts No.	Description	Q'ty						I	R
				(A)	(B)	(C)	(D)	(E)	(F)		
86	2	129155-51710	GASKET	1	1						
87	2	129155-51750	COVER	1	1						
88	2	129155-51760	GASKET	1	1						
89	2	129155-51790	STOOPER, RACK	1	1						
90	2	129156-51910	LABEL, CAUTION	1	1						
91	2	129155-51930	SPACER, T=3.25	1	1						
92	2	129155-51940	SPACER, T=1.5	1	1						
93	2	22217-060000	WASHER, SPRING 6	2	2						
94	2	22351-050010	PIN, SPRING 5.0X10	2	2						
95	2	24101-063034	BEARING, BALL 6303	1	1						
96	2	24341-000160	O-RING, 1AS16.0	1	1						
97	2	26022-050102	SCREW, M5X10	8	8						
98	2	26022-060162	SCREW, M6X16	4	4						
99	2	26116-050302	BOLT, M5X 30 PLATED	2	2						
100	2	26716-060002	NUT, M6	2	2						
101	2	22190-160002	WASHER, SEAL 16	1	1						
101A	2	129155-51530	SPACER	1							W
(A=EXXX)											
101B	2	129155-51540	CIRCLIP	1							W
(A=EXXX)											
101C	2	129155-51591	SPRING, RACK	1							W
(A=EXXX)											
101D	2	22217-050000	WASHER, SPRING 5	2	2						W
(A=EXXX)											
103	1	129150-25900	GEAR, PUMP	1	1						
104	1	22217-120000	WASHER, SPRING 12	1	1						
105	1	26716-120002	NUT, M12	1	1						

Remarks
 (1) GOVERNOR ASSY(FIG.NO.12) IS INCORPORATED IN THIS FOP CMP (REF.NO.1).
 (2) GOVERNOR ASSY(FIG.NO.18) IS INCORPORATED IN THIS FOP CMP (REF.NO.1A).

Fig.11. GOVERNOR

11. GOVERNOR



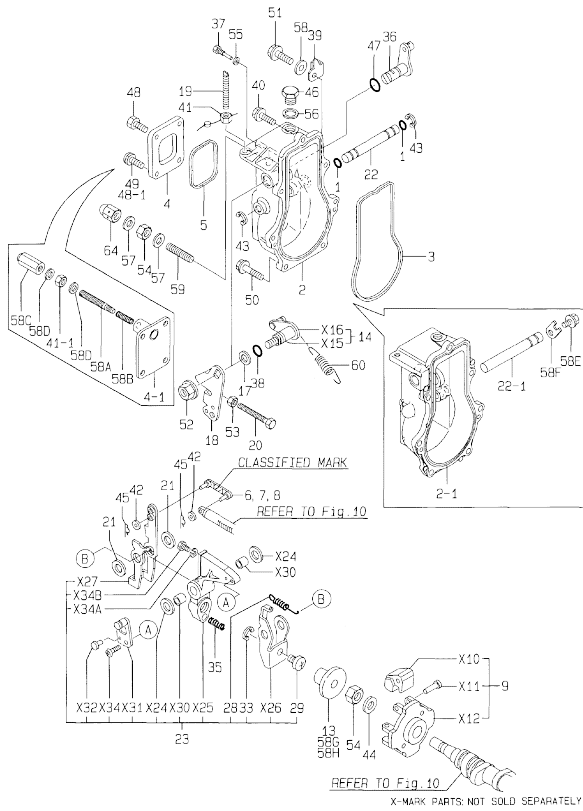
No.	Lev.	Parts No.	Description	Q'ty						I	R
				(A)	(B)	(C)	(D)	(E)	(F)		
1	2	129155-51280	O-RING, S6	2							
1-1	2	129155-51280	O-RING, S6	1							K
(A=E05292)											
2	2	129155-61012	CASE, GOVERNOR	1							
2-1	2	129155-61013	CASE, GOVERNOR	1							S
(A=E05292)											
3	2	129155-61050	GASKET	1							
4	2	129155-61060	COVER, GOVERNOR CASE	1							
4-1	2	129219-61050	COVER, GOVERNOR CASE	1							N
(A=E04816)											
5	2	129155-61070	GASKET	1							
6	2	129155-61120	LINK, L=30 MARK 0	1							1
7	2	129155-61130	LINK, L=31 MARK 1	1							1
8	2	129155-61140	LINK, L=30.5 MARK 05	1							1
9	2	171488-61200	WEIGHT ASSY, GOVERNOR	1							
13	2	129155-61341	SLEEVE	1							2
14	2	129100-61400	SHAFT ASSY	1							
17	2	129155-61430	SPACER	1							
18	2	129100-61440	LEVER, CONTROL	1							
18-1	2	171488-61440	LEVER, CONTROL	1							N
(A=E02661)											
19	2	129155-61450	BOLT, LIMITER	1							
20	2	129155-61460	BOLT, IDLE	1							
21	2	129155-61480	SPACER ASSY	2							
22	2	129155-61490	SHAFT	1							
22-1	2	129155-61380	SHAFT	1							S
(A=E05292)											
23	2	129116-61500	LEVER ASSY, GOVERNOR	1							
28	3	119843-61540	SPRING, SET	1							
29	3	129155-61540	SHIFTER	1							
33	3	22272-000040	RING, E- 4	1							
35	2	129500-61650	SPRING, FUEL CONTROL	1							
36	2	119821-61800	LEVER, STOP	1							
37	2	129155-61810	PIN	1							
38	2	129155-61830	O-RING, S10	1							
39	2	129116-61890	SUPPORT	1							
40	2	129155-61950	BOLT	1							
41	2	124550-66370	NUT, M6	1							
41-1	2	124550-66370	NUT, M6	2							K
(A=E04816)											
42	2	22117-040000	WASHER, 4	1							
43	2	22272-000060	RING, E- 6	2							Z
(A=E05292)											
44	2	22287-120000	WASHER, 12	1							
45	2	22372-040000	PIN, SNAP 4	2							
46	2	23887-100002	PLUG, 10	1							
47	2	24311-240100	O-RING, 1AP10A	1							
48	2	26022-050102	SCREW, M5X10	2							
48-1	2	26022-050102	SCREW, M5X10	4							K
(A=E04816)											
49	2	26023-050102	SCREW, M5X10	2							Z

N:Old $\frac{New}{Old}$ New, Q:Old $\frac{New}{Old}$ New, R:Old $\frac{New}{Old}$ New, S:Old $\frac{New}{Old}$ New, W:Add, Z:Discontinued, F:Interchangeable by set, K:Q'ty Change
 ++ CONTINUE ++
 Copyright (C) YANMAR CO., LTD. All Rights Reserved.

Remarks
 (1) SELECTIVE PART. CERTAIN THE SIZE OF "L". THEN PLACE YOUR ORDER. (REFER TO ILLUSTRATION).
 (2) SELECTIVE PART.
 (M) MISPRINT.

Fig.11. GOVERNOR

11. GOVERNOR

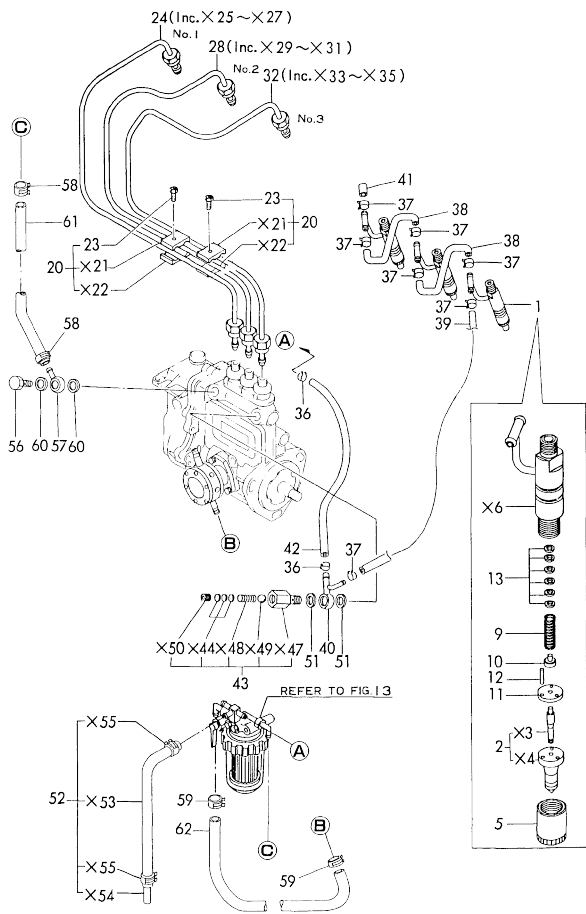


No.	Lev.	Parts No.	Description	Q'ty						I	R
				(A)	(B)	(C)	(D)	(E)	(F)		
		(A=E04816)									
50	2	26106-060202	BOLT, M6X 20 PLATED	5							
51	2	26106-060252	BOLT, M6X 25 PLATED	1							
52	2	26366-080002	NUT, M8	1							
53	2	26756-060002	NUT, LOCK M6	1							
54	2	26776-120002	NUT, LOCK M12	2							
55	2	22190-060002	WASHER, SEAL 6	1							
55-1	2	22190-060002	WASHER, SEAL 6	2							K
		(A=E05292)									
56	2	22190-100002	WASHER, SEAL 10	1							
57	2	22190-120002	WASHER, SEAL 12	2							
58	2	131110-66420	WASHER	1							Z
		(A=E04816)									
58A	2	119645-61070	SCREW	1							W
		(A=E04816)									
58B	2	119645-61080	SPRING	1							W
		(A=E04816)									
58C	2	119600-66840	NUT, CAP	1							W
		(A=E04816)									
58D	2	22190-060003	SEAL WASER 6	2							W
		(A=E05292)									
58E	2	26106-060102	BOLT, M6X 10 PLATED	2							W
		(A=E05292)									
58F	2	119660-61901	RETAINER, SHAFT	1							W
		(A=E05292)									
58G	2	129155-61350	SLEEVE, L=24.9	1							W 2
		(A=E02037)									
58H	2	129155-61360	SLEEVE, L=25.2	1							W 2
		(A=E02037)									
59	1	129155-61470	BOLT, CONTROL	1							
60	1	129477-61720	SPRING, GOVERNOR	1							
60-1	1	129176-61730	SPRING, GOVERNOR	1							N
		(A=E05292)									
61	1	129129-66860	LINK, SOLENOID	1							M
62	1	22117-080000	WASHER, 8	1							M
63	1	22372-080000	PIN, SNAP 8	1							M
64	1	26687-120002	NUT, CAP M12	1							

Remarks
 (1) SELECTIVE PART. CERTAIN THE SIZE OF "L". THEN PLACE YOUR ORDER. (REFER TO ILLUSTRATION).
 (2) SELECTIVE PART.
 (M) MISPRINT.

Fig.12. FUEL INJECTION VALVE

Fig. 12 FUEL INJECTION VALVE

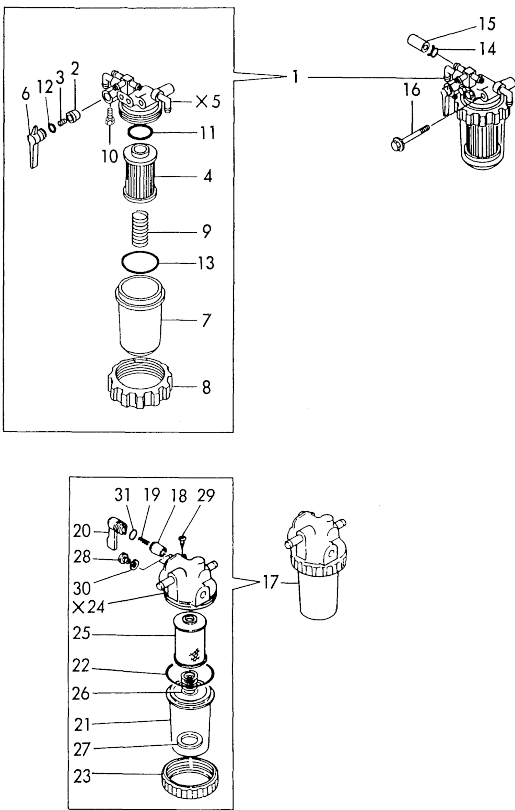


(A)=3TNE88-ACG
(B)=3TNE88-ACGD
(C)=
(D)=
(E)=
(F)=

No.	Lev.	Parts No.	Description	Qty						I	R
				(A)	(B)	(C)	(D)	(E)	(F)		
1	1	719810-53100	VALVE ASSY,INJECTION	1	1						
2	2	119810-53000	VALVE ASSY,INJECTION	3	3						
5	2	114250-53080	NUT, NOZZLE D16.95	3	3						
9	2	114250-53120	SPRING, NOZZLE	3	3						
10	2	114250-53130	SEAT, SPRING	3	3						
11	2	114250-53140	PLATE	3	3						
12	2	114250-53210	PIN	6	6						
13	2	114250-53400	SHIM SET	3	3						
20	1	119305-59120	RETAINER, PIPE	2	2						
23	2	129150-59131	BOLT, M4X14	2	2						
24	1	129001-59811	PIPE ASSY, INJECTION	1							
24-1	1	129002-59810	PIPE ASSY, INJECTION	1	1						N
(A=E01504)											
28	1	129001-59821	PIPE ASSY, INJECTION	1							
28-1	1	129002-59810	PIPE ASSY, INJECTION	1							N M
(A=E01504)											
28-2	1	129002-59820	PIPE ASSY, INJECTION	1	1						N
(A=E01504)											
32	1	129001-59831	PIPE ASSY, INJECTION	1							
32-1	1	129002-59830	PIPE ASSY, INJECTION	1							N
(A=E01504)											
32-2	1	129002-59831	PIPE ASSY, INJECTION	1	1						N
(A=E01910)											
36	1	124766-59050	CLIP, HOSE 12	2	2						
37	1	124066-59100	CLIP, HOSE 8	7	7						
38	1	121250-59550	PIPE, FUEL D8X120	2	2						
39	1	119840-59560	PIPE, FUEL RETURN	1	1						
40	1	119840-59570	JOINT	1	1						
41	1	129150-59580	CAP	1	1						
42	1	129255-59580	PIPE, FUEL	1	1						
43	1	129100-59951	VALVE ASSY, CHECK	1	1						
51	1	23414-120000	GASKET, 12X1.0	2	2						
52	1	119840-59601	BEND	1	1						
56	1	103854-39140	BOLT, PIPE JOINT	1	1						
57	1	101304-59020	JOINT, PIPE 12	1	1						
58	1	124766-59050	CLIP, HOSE 12	2	2						
59	1	124766-59050	CLIP, HOSE 12	2	2						
60	1	104200-59170	GASKET, 12	2							
60-1	1	22190-120002	WASHER, SEAL 12	2	2						N
(A=E04816)											
61	1	129150-59511	PIPE, FUEL	1	1						
62	1	129255-59580	PIPE, FUEL	1	1						

Fig.13. FO STRAINER & OW SEPARATOR

Fig. 13 FUEL STRAINER & OIL/WATER SEPARATOR



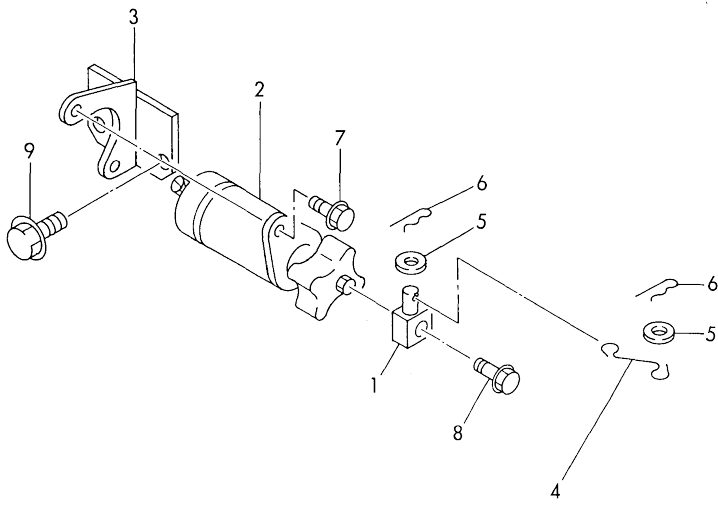
No.	Lev.	Parts No.	Description	Q'ty						I	R
				(A)	(B)	(C)	(D)	(E)	(F)		
1	1	129100-55621	FILTER ASSY, FUEL	1	1						
2	2	104200-55321	VALVE, TAPER	1	1						
3	2	104200-55330	SPRING, VALVE	1	1						
4	2	129100-55650	ELEMENT	1	1						
6	2	129100-55670	LEVER	1	1						
7	2	129100-55680	CUP, STRAINER	1	1						
8	2	129100-55690	RING, RETAINING	1	1						
9	2	129100-55700	SPRING	1	1						
10	2	104200-55750	SCREW, M4	1	1						
11	2	24311-000160	O-RING, 1AP16.0	1	1						
12	2	24311-240100	O-RING, 1AP10A	1	1						
13	2	24321-000650	O-RING, 1AG65.0	1	1						A
14	1	124066-59100	CLIP, HOSE 8	1	1						
15	1	129150-59580	CAP	1	1						
16	1	26014-080702	BOLT, M8X 70	1	1						
17	1	121850-55800	SEPARATOR ASSY, WATER	1	1						
18	2	104200-55321	VALVE, TAPER	1	1						
19	2	104200-55330	SPRING, VALVE	1	1						
20	2	104200-55341	HANDLE	1	1						
21	2	121254-55510	COVER	1	1						
22	2	102103-55520	O-RING	1	1						
23	2	110250-55610	RING, RETAINING	1	1						
25	2	121850-55710	SCREEN	1	1						
26	2	121257-55720	SPRING	1	1						
27	2	121257-55731	FLOAT	1	1						
28	2	101720-55750	PLUG, 6	2	2						
29	2	104200-55750	SCREW, M4	1	1						
30	2	23418-060000	GASKET, 6X1.0	2	2						
31	2	24311-240100	O-RING, 1AP10A	1	1						

Remarks
 (A) THIS PART IS ALSO SOLD BY GASKET SET (FIG 18, REF NO.1, P/# 729131 -92602).

OCV10-M41901

Fig.14. ENGINE STOP DEVICE

Fig. **14** ENGINE STOP DEVICE

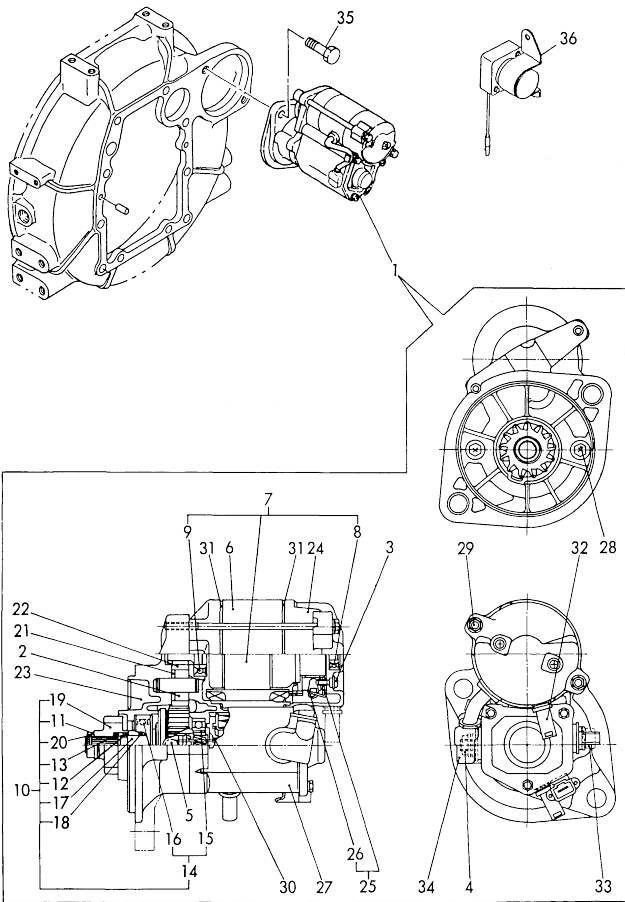


No.	Lev.	Parts No.	Description	Q'ty						I	R
				(A)	(B)	(C)	(D)	(E)	(F)		
1	1	171078-66551	PIN	1	1						
2	1	129577-67320	SOLENOID	1	1						
3	1	129175-67350	BRACKET, SOLENOID	1							
3-1	1	129111-65131 (A=E01658)	BRACKET, SOLENOID	1	1						N
4	1	129577-67380	LINK, SOLENOID	1							
4-1	1	129175-67380 (A=E01658)	LINK, SOLENOID	1	1						N
5	1	22117-080000	WASHER, 8	2	2						
6	1	22360-080000	SNAP PIN 8	2	2						
7	1	26106-060102	BOLT, M6X 10 PLATED	2	2						
8	1	26106-060202	BOLT, M6X 20 PLATED	1	1						
9	1	26106-080122	BOLT, M8X 12 PLATED	2	2						

N:Old $\frac{New}{Old}$ New, Q:Old $\frac{New}{Old}$ New, R:Old $\frac{New}{Old}$ New, S:Old $\frac{New}{Old}$ New, W:Add, Z:Discontinued, F:Interchangeable by set, K:Qty Change
Copyright (C) YANMAR CO., LTD. All Rights Reserved.

Fig.15. STARTING MOTOR

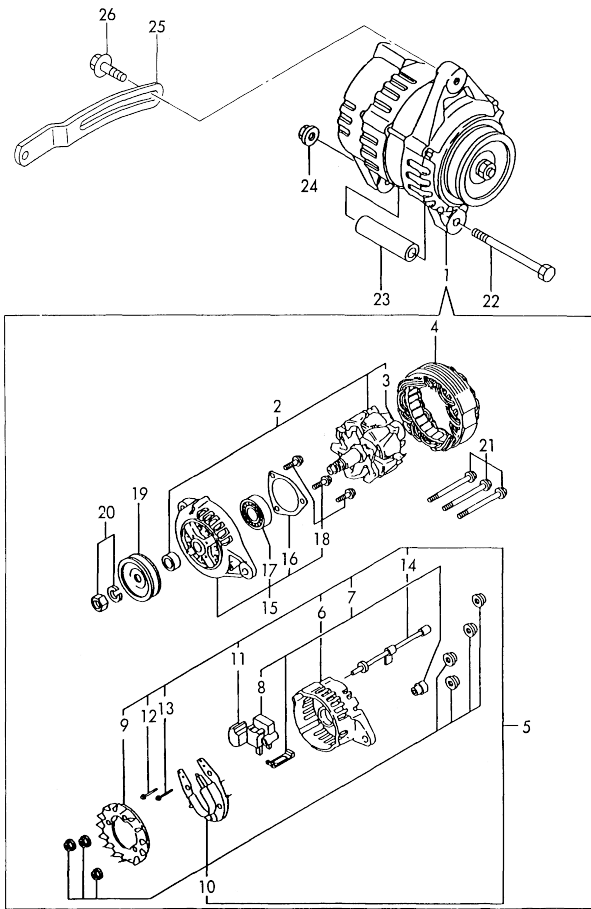
Fig. 15 STARTING MOTOR



No.	Lev.	Parts No.	Description	Q'ty						I	R
				(A)	(B)	(C)	(D)	(E)	(F)		
1	1	129129-77010	STARTER ASSY	1	1						
2	2	X0283060061	ROLLER	5	5						
3	2	X0289030010	SCREW	2	2						
4	2	X9490561370	NUT	1	1						
5	2	X9491200240	BALL	1	1						
6	2	129129-77210	YOKE ASSY	1	1						
7	2	129129-77220	ARMATURE ASSY	1	1						
8	3	129129-77230	BEARING	1	1						
9	3	129129-77240	BEARING	1	1						
10	2	129129-77250	STARTER	1	1						
11	3	X0280210230	NUT	1	1						
12	3	X0283270140	RETAINER	1	1						
13	3	X9491703371	SPRING, COIL	1	1						
14	3	129129-77390	CLUTCH ASSY, STARTER	1	1						
15	4	129129-77440	BEARING	1	1						
16	4	129129-77450	BEARING	1	1						
17	3	129129-77400	SHAFT	1	1						
18	3	129129-77410	SPRING, COIL	1	1						
19	3	129129-77420	PINION	1	1						
20	3	129129-77430	RING	1	1						
21	2	129129-77260	RETAINER	1	1						
22	2	129129-77270	PINION	1	1						
23	2	129129-77280	HOUSING	1	1						
24	2	129129-77290	FRAME	1	1						
25	2	129129-77300	HOLDER ASSY	1	1						
26	3	X9491730461	SPRING	4	4						
27	2	129129-77310	SWITCH ASSY	1	1						
28	2	129129-77320	BOLT	2	2						
29	2	129129-77330	BOLT	2	2						
30	2	129129-77340	SPRING	1	1						
31	2	129129-77350	O-RING	2	2						
32	2	X0280620480	COVER	1							
32-1	2	129129-77361	BUSH	1	1						R
(A=E01658)											
34	2	129129-77380	CAP	1	1						
35	1	26116-120252	BOLT, M12X 25 PLATED	2	2						
36	1	129100-77910	RELAY, MAGNETIC	1							
36-1	1	129100-77910	RELAY, MAGNETIC	2	2						K
(A=E04486)											

Fig.16. GENERATOR

Fig. 16 GENERATOR

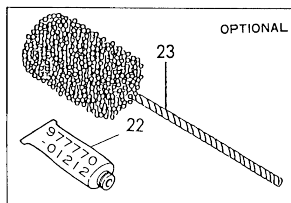
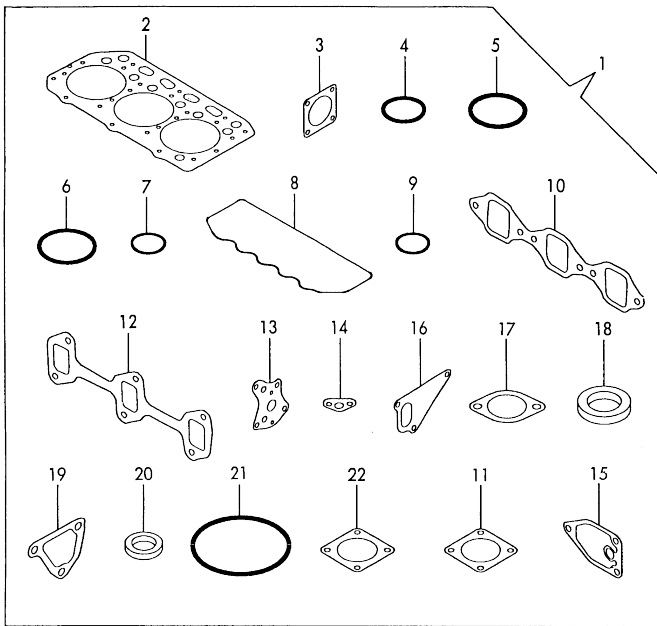


(A)=3TNE88-ACG (D)=
 (B)=3TNE88-ACGD (E)=
 (C)= (F)=

No.	Lev.	Parts No.	Description	Q'ty					
				(A)	(B)	(C)	(D)	(E)	(F)
1	1	119836-77200	GENERATOR	1	1				
2	2	119836-77700	ROTOR ASSY	1	1				
3	3	119836-77850	BALL BEARING	1	1				
4	2	119836-77710	STATOR ASSY	1	1				
5	2	119836-77721	COVER ASSY, REAR	1	1				
6	3	119836-77730	COVER, REAR	1	1				
7	3	119836-77741	BRUSH ASSY,REGULATOR	1	1				
8	4	119836-77750	BRUSH ASSY	1	1				
9	3	119836-77760	GUIDE, FAN SIDE	1	1				
10	3	119836-77770	DIODE ASSY	1	1				
11	3	119836-77780	CONDENSER	1	1				
12	3	119836-77871	BOLT (1)	1	1				
13	3	119836-77880	BOLT (2)	1	1				
14	3	119836-77890	WIRE ASSY, LEAD	1	1				
15	2	119836-77790	COVER ASSY, FRONT	1	1				
16	3	119836-77800	RETAINER, BEARING	1	1				
17	3	119836-77840	BALL BEARING	1	1				
18	3	119836-77860	SCREW KID	1	1				
19	2	119836-77810	PULLEY	1	1				
20	2	119836-77820	NUT ASSY, PULLEY	1	1				
21	2	119836-77830	BOLT, THROUGH	1	1				
22	1	129136-77250	BOLT M 8X105	1	1				
23	1	119820-77340	PIECE, DISTANCE	1	1				
24	1	26366-080002	NUT, M8	1	1				
25	1	129410-77330	ADJUSTER	1	1				
26	1	26014-080252	BOLT, M8X 25	1	1				

Fig.17. GASKET SET & TOOL(OPTIONAL)

Fig. 17 GASKET SET & TOOL (OPTIONAL)



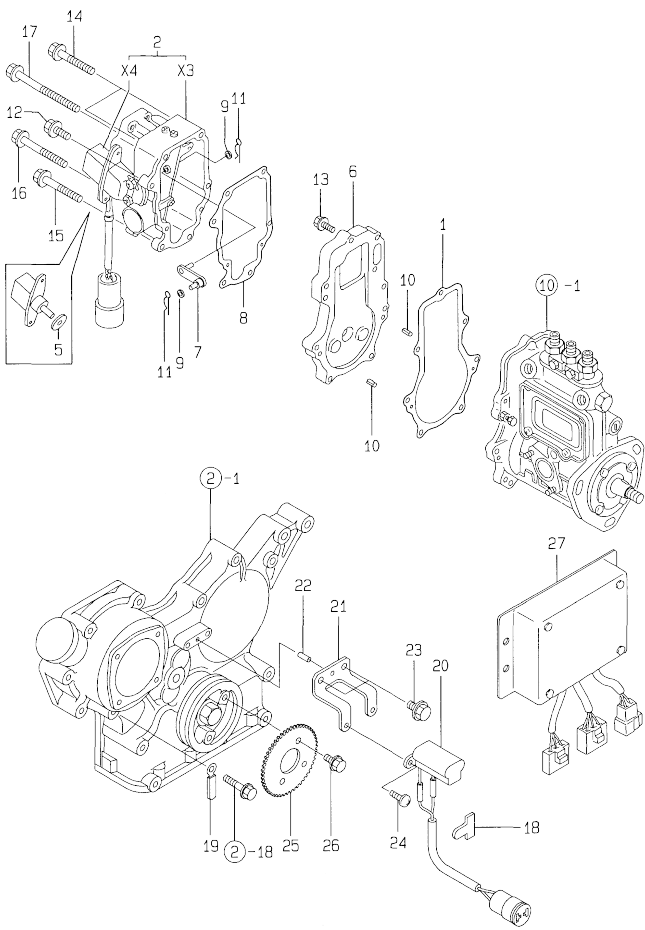
No.	Lev.	Parts No.	Description	Q'ty						I	R	
				(A)	(B)	(C)	(D)	(E)	(F)			
1	1	729219-92600	GASKET SET	1	1						1	
2	2	129001-01340	GASKET, HEAD	1	1							
3	2	124240-01883	GASKET	1	1							
4	2	121850-51960	O-RING	1	1							
5	2	24311-000320	O-RING, 1AP32.0	1	1							
6	2	24341-000500	O-RING, 1AS50.0	1	1							
7	2	24311-000320	O-RING, 1AP32.0	1	1							
8	2	129150-11310	GASKET, BONNET	1	1							
9	2	24311-000120	O-RING, 1AP12.0	3	3							
10	2	129001-12110	GASKET, MANIFOLD	1	1							
11	2	129001-13110	GASKET	1	1							
12	2	129150-32020	GASKET, PUMP	1	1							
13	2	129150-35041	GASKET	1	1							
14	2	129150-35111	GASKET	1	1							
15	2	129100-42020	GASKET, WATER PUMP	1	1							
16	2	129795-49551	GASKET	1	1							
17	2	129150-49811	GASKET, THERMOSTAT	1	1							
18	2	129100-49840	GASKET	1	1							
19	2	124465-44950	GASKET, 16	2	2							
20	2	24321-000650	O-RING, 1AG65.0	1	1							
21	2	129150-77511	GASKET	1	1							
22	1	977770-01212	GASKET, LIQUID	1	1							1
23	1	129400-92420	FLEX HORN	1	1							1

Remarks
(1) OPTIONAL PART.

OCV10-M41901

Fig.18. GOVERNOR

18. GOVERNOR



No.	Lev.	Parts No.	Description	Q'ty						I	R	
				(A)	(B)	(C)	(D)	(E)	(F)			
1	2	129116-61051	GASKET									
2	2	129611-61100	ACTUATOR									
5	3	129611-61180	GASKET									
6	2	129116-61110	SPACER									
7	2	129116-61120	LINK									
8	2	119649-61151	GASKET									
9	2	22117-040000	WASHER, 4									
10	2	22351-040010	PIN, SPRING 4.0X10									
11	2	22360-050000	SNAP PIN 5									
12	2	26106-060202	BOLT, M6X 20 PLATED									
13	2	26106-060222	BOLT, M6X 22 PLATED									
14	2	26106-060452	BOLT, M6X 45 PLATED									
15	2	26106-060602	BOLT, M6X 60 PLATED									
16	2	26106-060702	BOLT, M6X 70 PLATED									
17	2	26106-060852	BOLT, M6X 85 PLATED									
18	1	172010-08160	STICKER, WIRE									
19	1	194180-51640	CLAMP, HARNESS									
20	1	119649-78500	PULSAR									
21	1	129116-78510	BRACKET, PULSAR									
22	1	22351-040010	PIN, SPRING 4.0X10									
23	1	26116-060122	BOLT, M6X 12 PLATED									
24	1	26557-040082	SCREW, M4X 8									
25	1	119649-78650	GEAR, PULSAR									
26	1	26106-100142	BOLT, M10X 14 PLATED									
27	1	129219-78800	CONTROLLER, MAIN									

N:Old $\frac{100}{100}$ New, Q:Old $\frac{100}{100}$ New, R:Old $\frac{100}{100}$ New, S:Old $\frac{100}{100}$ New, W:Add, Z:Discontinued, F:Interchangeable by set, K:Q'ty Change
 Copyright (C) YANMAR CO., LTD. All Rights Reserved.

Parts No. Index

Parts No.	Fig. No.	Ref. No.	Parts No.	Fig. No.	Ref. No.	Parts No.	Fig. No.	Ref. No.	Parts No.	Fig. No.	Ref. No.
101304-59020	12	57	119836-77790	16	15	124465-44950	9	22	129100-11350	4	40
101720-55750	13	28	119836-77800	16	16			23	129100-11650	4	30
102103-55520	13	22	119836-77810	16	19		17	19	129100-23910	7	37
103338-11190	4	17	119836-77820	16	20	124550-21600	7	14	129100-25061	6	9
103854-39140	12	56	119836-77830	16	21	124550-51350	10	46	129100-35300	8	16
104200-55321	13	2	119836-77840	16	17	124550-51370	10	47	129100-35301	8	16 -1
		18	119836-77850	16	3	124550-59820	8	37	129100-42002	9	2
104200-55330	13	3	119836-77860	16	18	124550-66370	11	41	129100-42003	9	2 -1
		19	119836-77871	16	12			41 -1	129100-42020	9	13
104200-55341	13	20	119836-77880	16	13	124701-11911	5	16		17	15
104200-55750	13	10	119836-77890	16	14	124732-42290	9	15	129100-49800	9	26
		29	119840-59560	12	39	124736-07900	4	2	129100-49820	9	29
104200-59170	12	60	119840-59570	12	40	124766-59050	12	36	129100-49830	9	30
104407-44480	5	4	119840-59601	12	52			58	129100-49840	9	35
110250-55610	13	23	119843-61540	11	28			59		17	18
114250-53080	12	5	119865-35300	8	21	124770-11770	9	27	129100-51300	10	41
114250-53120	12	9	120130-11860	4	8	124950-51190	10	31	129100-52100	10	3
114250-53130	12	10	120445-44530	9	44	129001-01340	1	21	129100-55621	13	1
114250-53140	12	11	120445-44540	9	45		17	2	129100-55650	13	4
114250-53210	12	12	121023-01550	2	24	129001-02800	1	13	129100-55670	13	6
114250-53400	12	13	121111-21501	7	11	129001-12110	5	1	129100-55680	13	7
119265-39450	8	40	121250-59550	12	38		17	10	129100-55690	13	8
119305-59120	12	20	121254-55510	13	21	129001-13100	5	10	129100-55700	13	9
119600-66840	11	58 C	121257-55720	13	26	129001-13110	5	11	129100-59951	12	43
119620-01750	3	3	121257-55731	13	27		17	11	129100-61400	11	14
119620-49290	9	48	121400-11340	4	18	129001-21000	7	1	129100-61440	11	18
119625-11871	4	35	121450-01560	2	5	129001-22081	7	15	129100-77910	15	36
119625-11880	4	36	121450-42450	9	20	129001-22500	7	17			36 -1
119625-11900	4	37	121520-34810	8	14	129001-22900	7	29	129110-44900	9	21
119640-01640	3	10	121550-23200	7	26	129001-22950	7	31	129111-65131	14	3 -1
119645-61070	11	58 A	121850-11860	9	1	129001-32001	8	1 -1	129116-21650	7	38
119645-61080	11	58 B	121850-21680	7	10	129001-35300	8	21 -1	129116-61051	18	1
119649-61151	18	8	121850-51960	2	11	129001-59811	12	24	129116-61110	18	6
119649-78500	18	20		17	4	129001-59821	12	28	129116-61120	18	7
119649-78650	18	25	121850-55710	13	25	129001-59831	12	32	129116-61500	11	23
119660-61901	11	58 F	121850-55800	13	17	129002-59810	12	24 -1	129116-61890	11	39
119810-51040	10	21	122117-51560	10	62			28 -1	129116-78510	18	21
119810-53000	12	2	122710-51090	10	24	129002-59820	12	28 -2	129120-77501	5	7
119820-77340	16	23	123682-44210	9	43	129002-59830	12	32 -1	129129-14580	6	3
119821-61800	11	36	124066-59100	12	37	129002-59831	12	32 -2	129129-66860	11	61
119836-77200	16	1		13	14	129100-01580	3	1	129129-77010	15	1
119836-77700	16	2	124160-01751	2	6			17	129129-77210	15	6
119836-77710	16	4		4	53		7	2	129129-77220	15	7
119836-77721	16	5	124160-01910	1	4	129100-01640	3	14	129129-77230	15	8
119836-77730	16	6	124160-11360	4	50	129100-01730	3	6	129129-77240	15	9
119836-77741	16	7	124160-39140	8	32	129100-01760	3	7 -1	129129-77250	15	10
119836-77750	16	8	124240-01871	2	7	129100-01770	3	7	129129-77260	15	21
119836-77760	16	9	124240-01883	2	8	129100-11100	4	13	129129-77270	15	22
119836-77770	16	10		17	3	129100-11110	4	14	129129-77280	15	23
119836-77780	16	11	124460-11340	4	19	129100-11240	4	23	129129-77290	15	24

Parts No. Index

Parts No.	Fig. No.	Ref. No.	Parts No.	Fig. No.	Ref. No.	Parts No.	Fig. No.	Ref. No.	Parts No.	Fig. No.	Ref. No.
129129-77300	15	25	129150-35041	17	13	129155-51760	10	88	129255-59580	12	42
129129-77310	15	27	129150-35101	8	18	129155-51790	10	89			62
129129-77320	15	28	129150-35111	8	19	129155-51930	10	91	129350-49530	9	24
129129-77330	15	29		17	14	129155-51940	10	92	129400-01520	2	4
129129-77340	15	30	129150-35151	8	20	129155-52050	10	2	129400-92420	17	23
129129-77350	15	31	129150-35350	8	29	129155-61012	11	2	129410-03990	4	52
129129-77361	15	32 -1	129150-39450	8	33	129155-61013	11	2 -1	129410-77330	16	25
129129-77380	15	34	129150-49811	9	34	129155-61050	11	3	129411-44500	9	42
129129-77390	15	14		17	17	129155-61060	11	4	129477-61720	11	60
129129-77400	15	17	129150-59131	12	23	129155-61070	11	5	129486-01670	3	18 -1
129129-77410	15	18	129150-59511	12	61	129155-61120	11	6	129500-61650	11	35
129129-77420	15	19	129150-59580	12	41	129155-61130	11	7	129506-51100	10	25
129129-77430	15	20		13	15	129155-61140	11	8	129577-67320	14	2
129129-77440	15	15	129150-77511	5	8	129155-61341	11	13	129577-67380	14	4
129129-77450	15	16		17	21	129155-61350	11	58 G	129611-61100	18	2
129132-49050	9	40	129155-11260	4	24	129155-61360	11	58 H	129611-61180	18	5
129136-77250	16	22	129155-11270	4	25	129155-61380	11	22 -1	129795-01780	3	16
129150-01200	1	20	129155-42350	9	16	129155-61430	11	17	129795-01800	2	3
129150-01650	3	15	129155-49800	9	33	129155-61450	11	19	129795-01950	2	9
129150-02020	1	10	129155-51020	10	20	129155-61460	11	20	129795-02411	1	19
129150-02450	6	4	129155-51050	10	22	129155-61470	11	59	129795-11120	4	15
129150-02870	1	22	129155-51060	10	23	129155-61480	11	21	129795-11180	4	16
129150-02930	1	16	129155-51140	10	28	129155-61490	11	22	129795-21661	7	9
129150-02940	1	25	129155-51180	10	30	129155-61540	11	29	129795-49551	9	25
129150-03020	4	42	129155-51200	10	32	129155-61810	11	37		17	16
129150-03070	4	43	129155-51270	10	39	129155-61830	11	38	131110-66420	11	58
129150-03080	4	44	129155-51280	10	40	129155-61950	11	40	171051-01921	1	5
129150-03100	2	10		11	1	129156-51910	10	90	171078-66551	14	1
129150-11230	4	31			1 -1	129158-52020	10	5	171301-01640	3	10 -1
129150-11280	4	26	129155-51320	10	44	129158-52060	10	7	171301-49010	9	46
129150-11290	4	27	129155-51340	10	45	129158-52070	10	8	171301-49020	9	47
129150-11310	4	46	129155-51370	10	48	129158-52080	10	9	171340-21590	7	12
	17	8	129155-51380	10	49	129158-52090	10	10	171340-44740	9	17
129150-11370	4	20	129155-51390	10	50	129158-52160	10	11	171353-44760	9	18
129150-11750	4	33	129155-51400	10	51	129158-52250	10	12	171420-01600	3	2
129150-11810	4	10	129155-51410	10	52	129158-52260	10	13	171420-34820	8	13
129150-14101	6	6	129155-51420	10	53	129158-52270	10	14	171488-61200	11	9
129150-14200	6	1	129155-51450	10	54	129158-52350	10	15	171488-61440	11	18 -1
129150-14400	6	2	129155-51500	10	59	129158-52360	10	16	172010-08160	18	18
129150-21200	7	4	129155-51521	10	60	129158-52370	10	17	174307-51170	10	29
129150-21650	7	8	129155-51530	10	101 A	129158-52380	10	18	174307-51560	10	63
129150-23600	7	27	129155-51540	10	101 B	129175-67350	14	3	194180-51640	18	19
129150-23610	7	35	129155-51550	10	61	129175-67380	14	4 -1	194990-22050	5	12
129150-25061	6	12	129155-51570	10	64	129176-61730	11	60 -1	22117-040000	11	42
129150-25101	6	10	129155-51580	10	65	129202-22300	7	21		18	9
129150-25900	10	103	129155-51591	10	101 C	129219-03100	4	1	22117-080000	11	62
129150-32000	8	1	129155-51600	10	66	129219-12100	5	3		14	5
129150-32020	8	11	129155-51700	10	85	129219-12700	5	2	22190-060002	11	55
	17	12	129155-51710	10	86	129219-61050	11	4 -1			55 -1
129150-35041	8	15	129155-51750	10	87	129219-78800	18	27	22190-060003	11	58 D

Parts No. Index

Parts No.	Fig. No.	Ref. No.
22190-080002	2	22
		23
22190-100002	11	56
22190-120002	11	57
	12	60 -1
22190-160002	10	101
22190-220002	3	9
22217-050000	10	101 D
22217-060000	10	93
22217-120000	10	104
22252-000260	7	22
22272-000040	11	33
22272-000060	11	43
22287-120000	11	44
22351-040010	7	7
	18	10
		22
22351-050010	10	94
22351-060012	4	21
22360-050000	18	11
22360-080000	14	6
22372-040000	11	45
22372-080000	11	63
22512-070140	6	7
	7	5
23000-016000	9	41
23414-080000	8	38
23414-100000	8	39
23414-120000	12	51
23418-060000	13	30
23871-010000	1	6
23871-030000	9	12
		31
23887-100002	11	46
24101-063034	10	95
24311-000120	4	51
	17	9
24311-000160	2	12
	8	30
	13	11
24311-000320	2	13
	4	54
	17	5
		7
24311-240100	11	47
	13	12
		31
24321-000650	13	13
	17	20
24341-000160	10	96

Parts No.	Fig. No.	Ref. No.
24341-000240	2	25
24341-000250	3	9 -1
24341-000500	4	48
	17	6
25132-003700	9	15 -1
26014-080252	16	26
26014-080702	13	16
26022-050102	10	97
	11	48
		48 -1
26022-060162	10	98
26023-050102	11	49
26106-060102	11	58 E
	14	7
26106-060122	2	26
26106-060202	11	50
	14	8
	18	12
26106-060222	18	13
26106-060252	11	51
26106-060352	9	19
26106-060452	18	14
26106-060602	18	15
26106-060702	18	16
26106-060852	18	17
26106-080122	2	14
	14	9
26106-080142	4	3
	6	8 -1
26106-080162	2	15
		16
	3	11
	4	49
	6	8
26106-080202	2	17
	5	5
	8	31
	9	36
26106-080252	3	12
	4	38
	9	37
26106-080302	3	18
26106-080352	3	19
	5	9
	8	17
26106-080402	5	13
26106-080452	2	18
	3	13
		13 -1
	6	13

Parts No.	Fig. No.	Ref. No.
26106-080502	3	21
	4	39
	9	38
26106-080552	2	19
26106-080602	9	14
		39
26106-080802	5	6
26106-080852	2	20
26106-100142	18	26
26116-050302	10	99
26116-060122	18	23
26116-060162	9	32
26116-120252	15	35
26206-100252	3	4
26206-100302	3	5
26216-060202	4	11
26216-080222	5	15
26216-080402	5	14
26226-080182	4	34
26366-060002	4	22
26366-080002	2	21
	11	52
	16	24
26450-060252	8	12
26557-040082	18	24
26687-120002	11	64
26716-060002	10	100
26716-120002	10	105
26756-060002	11	53
26776-120002	11	54
27231-500000	1	7
27241-120000	1	8
27241-300000	1	9
27241-400000	4	12
27310-080001	4	17 -1
719810-01500	2	1
719810-53100	12	1
729001-01560	1	1
729001-11700	4	4
729212-51210	10	1 A
729219-51310	10	1
729219-92600	17	1
729402-23100	7	23
977770-01212	2	27
	3	20
	17	22
X0280210230	15	11
X0280620480	15	32
X0283060061	15	2
X0283270140	15	12

Parts No.	Fig. No.	Ref. No.
X0289030010	15	3
X9490561370	15	4
X9491200240	15	5
X9491703371	15	13
X9491730461	15	26