

0CV10-M67500EN

PREFACE

1. This Parts Catalog carries all parts incorporated in YANMAR Model 3TNE88 - BME engine manufactured since July, 1999.
2. Each illustration corresponds to the parts list on the following page.
3. When ordering parts, clearly write down the engine model and serial number, as well as the name and number of each part in your order sheet. This will help insure reliable delivery of the parts you have ordered.

Directions for the Parts Catalog.

1. This Parts Catalog shows both standard and optional parts.
2. Parts may change without prior notice.
3. The following is an example of the Parts Catalog format.

REF.	LEV.	PARTS NO.	DESCRIPTION	Q'TY						I	R
				(A)	(B)	(C)	(D)	(E)	(F)		
1	1	729595-51390	FUEL INJECTION PUMP	1	1	1	1	1			1
1-1	1	729595-51391	FUEL INJECTION PUMP	1	1	1	1	1		N	1
		(A=E00185) (B=E00200)									
3	2	26022-060162	SCREW M 6X 16	9	9	9	9	9			
3-1	2	26022-060162	SCREW M 6X 16	4	4	4	4	4		K	
		(A=E00156) (B=E00156) (C=E00156) (D=E00156) (E=E00156)									
4	2	129470-51040	CAMSHAFT	1	1	1	1	1			
5	2	122710-51050	BEARING, ROLLER	2	2	2	2	2			
6	2	129470-51060	RETAINER	1	1	1	1	1			

Remarks
(1) BOOST COMPEMSATOR TYPE. OPTIONAL PART, TO E00155,(4JH-DT, 4JH-DTZ

① Ref. No.

The Ref. No. listed may not be in accordance with the illustration Ref. No.

(Ex.) Illustration No.

List Ref No.

1 1 (Before change) → 1-1 (After change)

For interchangeable symbols N, R and K, illustrations for new parts may be abbreviated.

② Lev. (Level)

Level indication

The numbers below indicate the level of relativity towards the main part.

1 ---- Main parts (Assembly parts)

2 ---- Sub component included in " 1 ".

3 ---- Sub component included in " 2 ".

Note) Parts that are not for sale are partially illustrated but not listed.

③ Interchangeability Symbol

When a part change takes place, one of the following interchangeability symbols is indicated beside the part.

Symbol	Interchangeability	Contents note
N	Old $\begin{matrix} \leftarrow \text{Yes} \\ \text{No} \rightarrow \end{matrix}$ New	New Part is interchangeable for Old Part but Old Part is not interchangeable for New Part.
Q	Old $\begin{matrix} \leftarrow \text{No} \\ \text{Yes} \rightarrow \end{matrix}$ New	New Part is not interchangeable for Old Part but Old Part is interchangeable for New Part.
R	Old $\begin{matrix} \leftarrow \text{Yes} \\ \text{Yes} \rightarrow \end{matrix}$ New	New/ Old Parts are both interchangeable.
S	Old $\begin{matrix} \leftarrow \text{No} \\ \text{No} \rightarrow \end{matrix}$ New	New/ Old Parts are both not interchangeable.
W		Part newly added.
Z		Part discontinued.
F		Not interchangeable by a single part but interchangeable together with related parts.
K		Changes only for used parts quantities.

④ Effective Machine No.

When a part changes, the effective Machine No. will be indicated in the (A)-(F) column.

Product Symbol	Product No.	Product Symbol	Product No.
C	Clutch No. Compressor No.	F	Machine No. (Agricultural Equip.)
D	Drive No.	M	Machine No.
E	Engine No.		

Note 1) A date may follow the symbol. (Ex.) 1996.01

Note 2) "XXXXX" and "ZZZZZ" are for parts that could not be predicted or for engine models that could not be identified.

Note 3) (A=E00185) is the E (Engine Serial Number) for the column (A) model (in this case 4JH-DT) after the parts design change.

⑤ Remarks

Figures or alphabets (symbols) are entered in the remarks column.

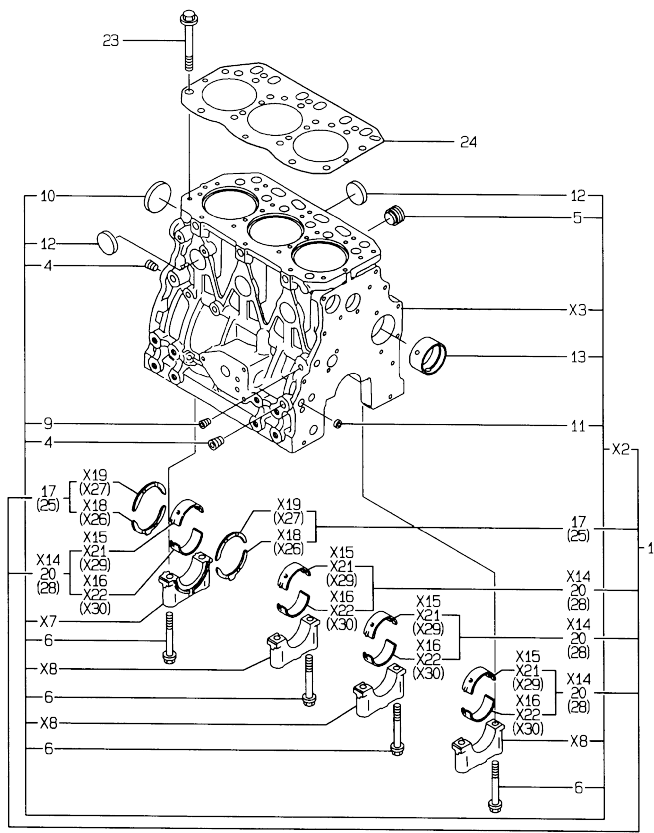
The comments (remarks) on parts that are indicated at the bottom of the illustration are the same symbols as those stated above.

Contents

Fig. No.	Fig. Name	Fig. No.	Fig. Name
3TNE88-BME			
1.	CYLINDER BLOCK		
2.	GEAR HOUSING		
3.	FLYWHEEL HOUSING & OIL SUMP		
4.	CYLINDER HEAD & BONNET		
5.	SUCTION MANIFOLD & AIR CLEANER		
6.	CAMSHAFT & DRIVING GEAR		
7.	CRANKSHAFT & PISTON		
8.	LUB.OIL SYSTEM		
9.	COOLING WATER SYSTEM		
10.	FUEL INJECTION PUMP		
11.	GOVERNOR		
12.	FUEL INJECTION VALVE		
13.	STARTING MOTOR		
14.	GENERATOR		
15.	GASKET SET		

Fig.1. CYLINDER BLOCK

1. CYLINDER BLOCK



No.	Lev.	Parts No.	Description	Q'ty						I	R
				(A)	(B)	(C)	(D)	(E)	(F)		
1	1	729001-01560	BLOCK ASSY, CYLINDER	1							
4	3	124160-01910	PLUG, PT1/4		3						
5	3	171051-01921	PLUG, NPTF1		1						
6	3	129150-02020	BOLT, METAL CAP		8						
9	3	23871-010000	PLUG, R01		1						
10	3	27231-500000	PLUG 50		1						
11	3	27241-120000	PLUG, 12		2						
12	3	27241-300000	PLUG 30		6						
13	3	129795-02411	BUSH, CAMSHAFT		1						
17	2	129150-02930	BEARING, THRUST		2						
20	2	129001-02930	BEARING, MAIN		4						3
23	1	129150-01200	BOLT, HEAD		14						
24	1	129001-01340	GASKET, HEAD		1						
25	1	129150-02940	BEARING, THRUST 0.25		2						1
28	1	129150-02870	BEARING, 0.25 US		4						2

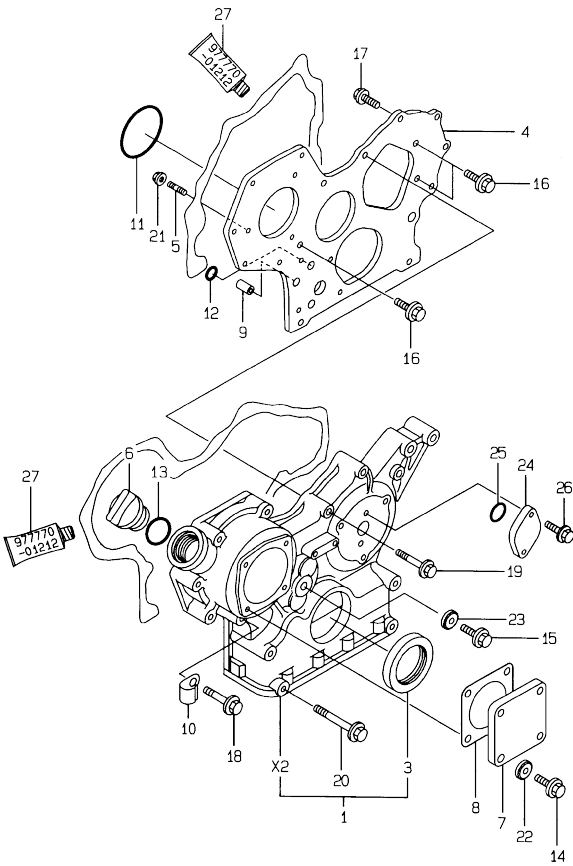
Remarks

- (1) OVER-SIZE(O.S=0.25)PART.
- (2) UNDER-SIZE(U.S=0.25)PART.
- (3) REPAIR PART.

OCV10-M67500

Fig.2. GEAR HOUSING

2.GEAR HOUSING



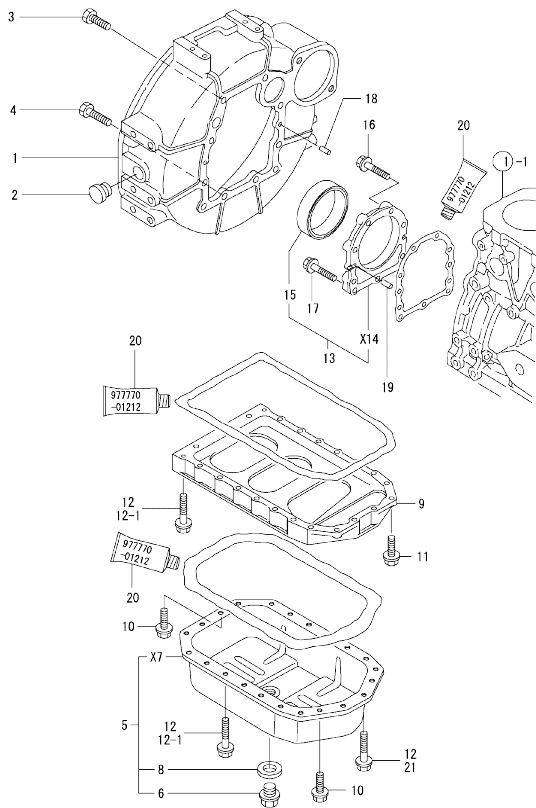
No.	Lev.	Parts No.	Description	Q'ty						I	R
				(A)	(B)	(C)	(D)	(E)	(F)		
1	1	719810-01500	CASE ASSY, GEAR	1							
3	2	129795-01800	SEAL, OIL	1							
4	1	129400-01520	FLANGE, GEAR CASE	1							
5	1	121450-01560	STUD, M8X22	3							
6	1	124160-01751	COVER, FILLER	1							
7	1	124240-01871	COVER	1							
8	1	124240-01883	GASKET	1							
9	1	129795-01950	PIPE, KNOCK L=18	2							
10	1	129150-03100	RETAINER, PIPE	1							
11	1	121850-51960	O-RING	1							
12	1	24311-000160	O-RING, 1AP16.0	2							
13	1	24311-000320	O-RING, 1AP32.0	1							
14	1	26106-080122	BOLT, M8X 12 PLATED	4							
15	1	26106-080162	BOLT, M8X 16 PLATED	1							
16	1	26106-080162	BOLT, M8X 16 PLATED	3							
17	1	26106-080202	BOLT, M8X 20 PLATED	2							
18	1	26106-080452	BOLT, M8X 45 PLATED	6							
19	1	26106-080552	BOLT, M8X 55 PLATED	3							
20	1	129001-91840	BOLT, M8X85	4							
21	1	26366-080002	NUT, M8	3							
22	1	22190-080002	WASHER, SEAL 6	4							
23	1	22190-080002	WASHER, SEAL 6	1							
24	1	121023-01550	COVER	1							
25	1	24341-000240	O-RING, 1AS24.0	1							
26	1	26106-060162	BOLT, M6X 16 PLATED	2							
27	1	977770-01212	GASKET, LIQUID	1							1

Remarks
(1) OPTIONAL PART.

N:Old $\frac{100}{100}$ New, Q:Old $\frac{100}{100}$ New, R:Old $\frac{100}{100}$ New, S:Old $\frac{100}{100}$ New, W:Add, Z:Discontinued, F:Interchangeable by set, K:Qty Change
Copyright (C) YANMAR CO., LTD. All Rights Reserved.

OCV10-M67500

Fig.3. FLYWHEEL HOUSING & OIL SUMP



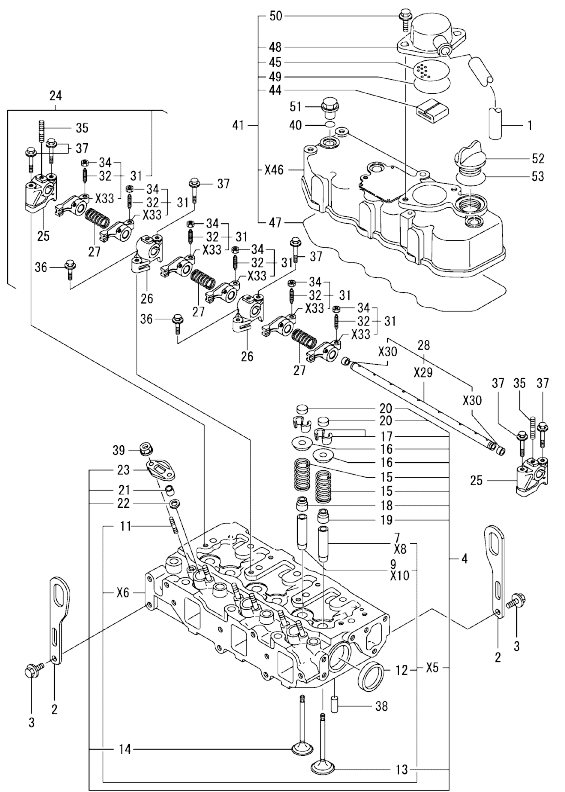
X-MARK PARTS NOT SOLD SEPARATELY.

Remarks
(1) OPTIONAL PART.

No.	Lev.	Parts No.	Description	Q'ty						I	R
				(A)	(B)	(C)	(D)	(E)	(F)		
1	1	119888-01600	HOUSING, FLYWHEEL	1							
2	1	119620-01750	CAP	1							
3	1	26206-100252	BOLT, M10X 25 PLATED	6							
4	1	26206-100302	BOLT, M10X 30 PLATED	4							
5	1	729102-01540	SUMP ASSY, OIL	1							
6	2	119640-01640	PLUG, DRAIN M22	1							
8	2	22190-220002	WASHER, SEAL 22	1							
9	1	129100-01730	SPACER, OIL SUMP	1							
10	1	26106-080162	BOLT, M8X 16 PLATED	4							
11	1	26106-080252	BOLT, M8X 25 PLATED	2							
12	1	26106-080452	BOLT, M8X 45 PLATED	20							
12-1	1	26106-080452	BOLT, M8X 45 PLATED	16							K
(A=FROM 1ST)											
13	1	129100-01640	CASE ASSY, OIL SEAL	1							
15	2	129795-01780	SEAL, OIL	1							
16	1	129486-01670	BOLT, M8X30	6							
17	1	26106-080352	BOLT, M8X 35 PLATED	3							
18	1	129100-01580	PIN, M8X16	2							
19	1	129100-01580	PIN, M8X16	2							
20	1	977770-01212	GASKET, LIQUID	1							
21	1	26106-080502	BOLT, M8X 50 PLATED	4							W
(A=FROM 1ST)											

N:Old $\frac{100}{100}$ New, Q:Old $\frac{100}{100}$ New, R:Old $\frac{100}{100}$ New, S:Old $\frac{100}{100}$ New, W:Add, Z:Discontinued, F:Interchangeable by set, K:Qty Change
Copyright (C) YANMAR CO., LTD. All Rights Reserved.

Fig.4. CYLINDER HEAD & BONNET



x-MARK PARTS:NOT SOLD SEPARATELY.

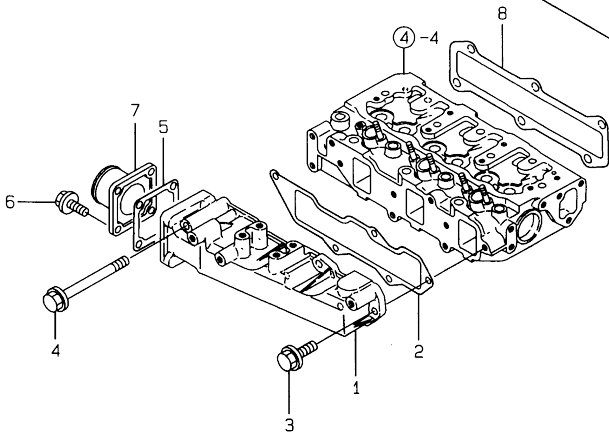
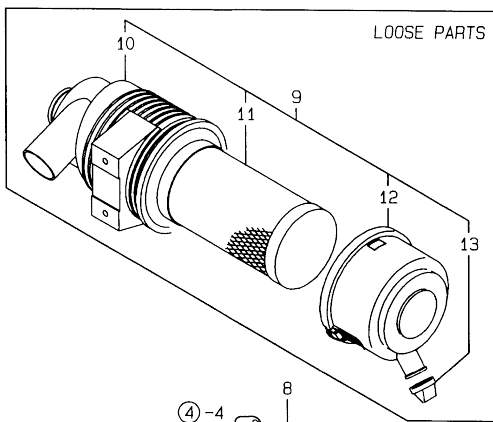
No.	Lev.	Parts No.	Description	Q'ty						I	R
				(A)	(B)	(C)	(D)	(E)	(F)		
1	1	171350-03090	PIPE , BREATHER 900	1							
2	1	124736-07900	LIFTER	2							
3	1	26106-080142	BOLT, M8X 14 PLATED	4							
4	1	129001-11700	HEAD ASSY, CYLINDER	1							
7	3	120130-11860	GUIDE, VALVE	3							1
9	3	129150-11810	GUIDE, VALVE	3							1
11	3	26216-060202	STUD, M6X 20	6							
12	3	27241-400000	PLUG, 40	2							
13	2	129100-11100	VALVE, INTAKE	3							
14	2	129100-11110	VALVE, EXHAUST	3							
15	2	129795-11120	SPRING, VALVE	6							
16	2	129795-11180	RETAINER, SPRING	6							
17	2	27310-080001	COTTER, 8	6							
18	2	121400-11340	SEAL, VALVE STEM	3							
19	2	124460-11340	SEAL, VALVE STEM	3							
20	2	129150-11370	CAP VALVE	6							
21	2	119625-11870	PROTECTOR, NOZZLE	3							
22	2	119625-11880	SEAT, NOZZLE	3							
23	2	119625-11900	RETAINER, NOZZLE	3							
24	1	129100-11240	SHAFT ASSY, ROCKER	1							
25	2	129155-11260	SUPPORT, ROCKER ARM	2							
26	2	129155-11270	SUPPORT, ROCKER ARM	2							
27	2	129150-11280	SPRING	3							
28	2	129150-11290	SHAFT, ROCKER ARM	1							
31	2	129100-11650	ARM, ROCKER	6							
32	3	129150-11230	SCREW, VALVE ADJUST	6							
34	3	129150-11750	NUT, M8	6							
35	2	26226-080182	STUD, M8X 18	3							
36	1	26106-080252	BOLT, M8X 25 PLATED	2							
37	1	26106-080502	BOLT, M8X 50 PLATED	6							
38	1	22351-060012	PIN, SPRING 6.0X12	2							
39	1	26366-060002	NUT, M6	6							
40	1	24311-000120	O-RING, 1AP12.0	3							
41	1	129100-11350	BONNET ASSY, HEAD	1							
44	2	129150-03070	BAFFLE, BREATHER	1							
45	2	129150-03080	PLATE, BAFFLE	1							
47	2	129150-11310	GASKET, BONNET	1							
48	2	129150-03020	COVER, BREATHER	1							
49	2	24341-000500	O-RING, 1AS50.0	1							
50	2	26106-080162	BOLT, M8X 16 PLATED	2							
51	1	124160-11360	KNOB	3							
52	1	124160-01751	COVER, FILLER	1							
53	1	24311-000320	O-RING, 1AP32.0	1							

Remarks
(1) REPAIR PART.

N:Old $\frac{100}{100}$ New, Q:Old $\frac{100}{100}$ New, R:Old $\frac{100}{100}$ New, S:Old $\frac{100}{100}$ New, W:Add, Z:Discontinued, F:Interchangeable by set, K:Q'ty Change
Copyright (C) YANMAR CO., LTD. All Rights Reserved.

Fig.5. SUCTION MANIFOLD & AIR CLEANER

5. SUCTION MANIFOLD

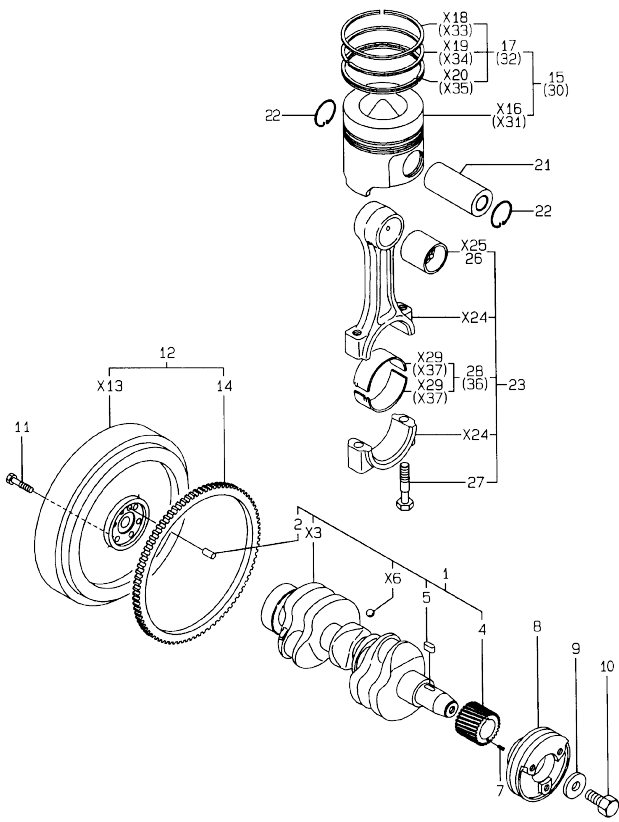


No.	Lev.	Parts No.	Description	Q'ty						I	R	
				(A)	(B)	(C)	(D)	(E)	(F)			
1	1	129001-12100	MANIFOLD, AIR INTAKE	1								
2	1	129001-12110	GASKET, MANIFOLD	1								
3	1	26106-080202	BOLT, M8X 20 PLATED	4								
4	1	26106-080802	BOLT, M8X 80 PLATED	1								
5	1	129150-77511	GASKET	1								
6	1	26106-080202	BOLT, M8X 20 PLATED	4								
7	1	129486-12581	JOINT, MANIFOLD	1								
8	1	129001-13110	GASKET	1								
9	1	129619-12500	CLEANER ASSY, AIR	1								
10	2	129619-12510	BODY	1								
11	2	119808-12520	ELEMENT	1								
12	2	119808-12530	COVER	1								
13	2	119808-12540	VALVE, UNLOADER	1								

OCV10-M67500

Fig.7. CRANKSHAFT & PISTON

7.CRANKSHAFT & PISTON

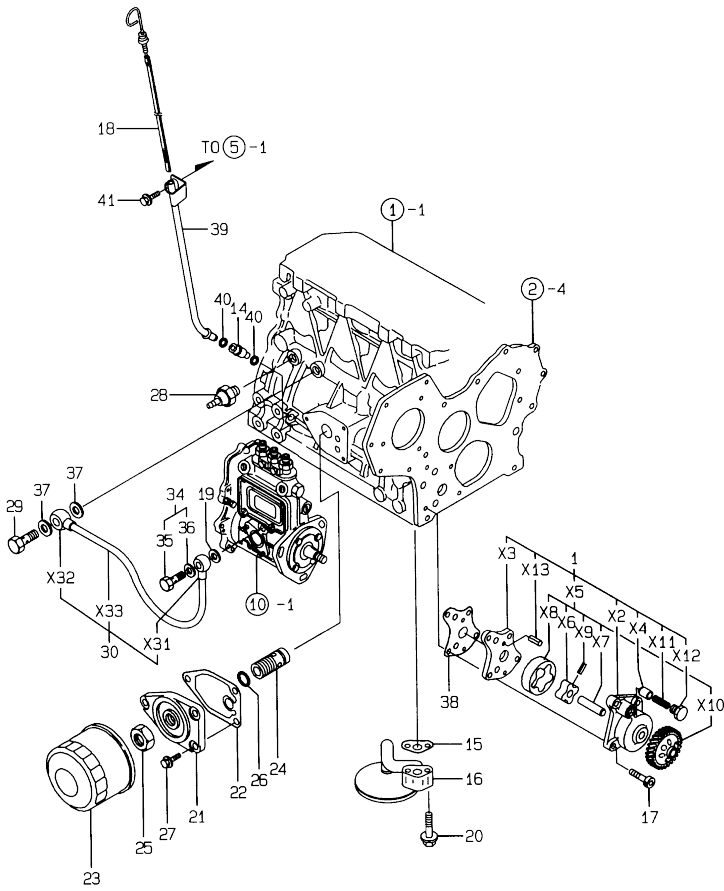


No.	Lev.	Parts No.	Description	Q'ty						I	R
				(A)	(B)	(C)	(D)	(E)	(F)		
1	1	129001-21000	CRANKSHAFT ASSY	1							
2	2	129100-01580	PIN, M8X16	1							
4	2	129150-21200	GEAR, CRANKSHAFT	1							
5	2	22512-070140	KEY, 7X 14	1							
7	1	22351-040010	PIN, SPRING 4.0X10	1							
8	1	171340-21650	V-PULLEY	1							
9	1	129795-21661	WASHER	1							
10	1	121850-21680	BOLT	1							
11	1	121111-21501	BOLT, FLYWHEEL	6							
12	1	129188-21590	FLYWHEEL ASSY	1							
14	2	119865-21600	GEAR, RING	1							
15	1	129001-22081	PISTON ASSY	3							
17	2	129001-22500	RING SET, PISTON	3							
21	1	129202-22300	PIN, PISTON D26 L70	3							
22	1	22252-000260	RING, 26	6							
23	1	729402-23100	ROD ASSY, CONNECTING	3							
26	2	129100-23910	BEARING, PISTON PIN	3							1
27	2	121550-23200	BOLT, CONNECTING ROD	6							
28	2	129150-23600	BEARING, CRANK PIN	3							
30	1	129001-22901	PISTON ASSY, 0.25 OS	3							2
32	2	129001-22950	RING SET, 0.25 OS	3							2
36	1	129150-23610	BEARING, 0.25 US	3							3

Remarks
 (1) REPAIR PART.
 (2) OVER-SIZE(O.S=0.25)PART.
 (3) UNDER-SIZE(U.S=0.25)PART.

Fig.8. LUB.OIL SYSTEM

8.LUB.OIL SYSTEM

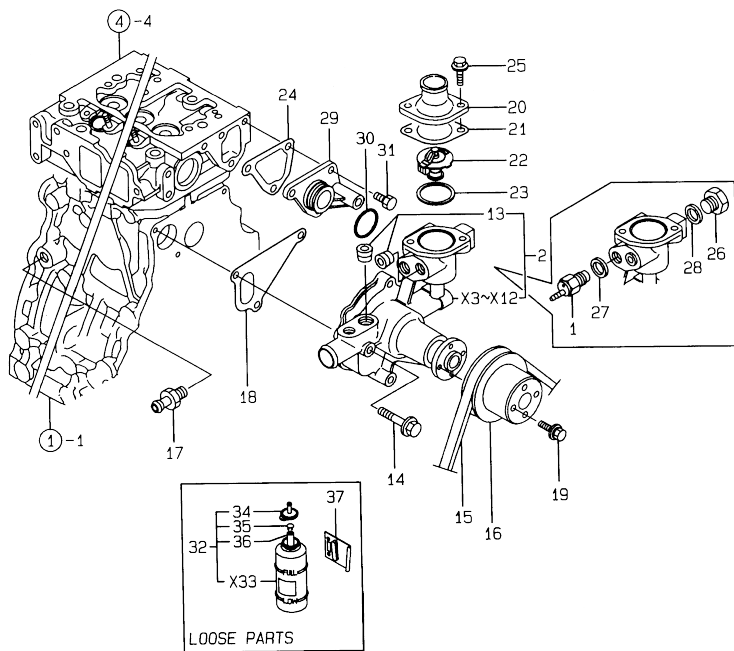


No.	Lev.	Parts No.	Description	Q'ty						I	R
				(A)	(B)	(C)	(D)	(E)	(F)		
1	1	129001-32001	PUMP ASSY, OIL	1							
14	1	119260-34810	GUIDE, DIPSTICK	1							
15	1	129150-35041	GASKET	1							
16	1	129150-35091	PIPE ASSY, OIL INLET	1							
17	1	26450-060252	BOLT, M6X 25	4							
18	1	129135-34800	DIPSTICK, OIL	1							
19	1	22190-080003	WASHER, SEAL 8	1							
20	1	26106-080352	BOLT, M8X 35 PLATED	2							
21	1	129150-35101	BRACKET, STRAINER	1							
22	1	129150-35111	GASKET	1							
23	1	129150-35151	FILTER, D80XL80	1							
24	1	129001-35300	BOLT, FILTER	1							
25	1	129150-35350	NUT	1							
26	1	24311-000160	O-RING, 1AP16.0	1							
27	1	26106-080202	BOLT, M8X 20 PLATED	3							
28	1	124160-39450	SWITCH, 0.5KG	1							
29	1	124160-39140	BOLT, PIPE JOINT M10	1							
30	1	129150-39450	PIPE ASSY, OIL	1							
34	1	124550-59830	BOLT ASSY, JOINT M8	1							
35	2	124550-59820	BOLT, PIPE JOINT M8	1							
36	2	22190-080003	WASHER, SEAL 8	1							
37	1	23414-100000	GASKET, 10X1.0	2							
38	1	129150-32020	GASKET, PUMP	1							
39	1	129136-34820	GUIDE, DIPSTICK	1							
40	1	24311-240100	O-RING, 1AP10A	2							
41	1	26106-080252	BOLT, M8X 25 PLATED	1							

N:Old $\frac{100}{100}$ New, Q:Old $\frac{100}{100}$ New, R:Old $\frac{100}{100}$ New, S:Old $\frac{100}{100}$ New, W:Add, Z:Discontinued, F:Interchangeable by set, K:Qty Change
 Copyright (C) YANMAR CO., LTD. All Rights Reserved.

Fig.9. COOLING WATER SYSTEM

9. COOLING WATER SYSTEM

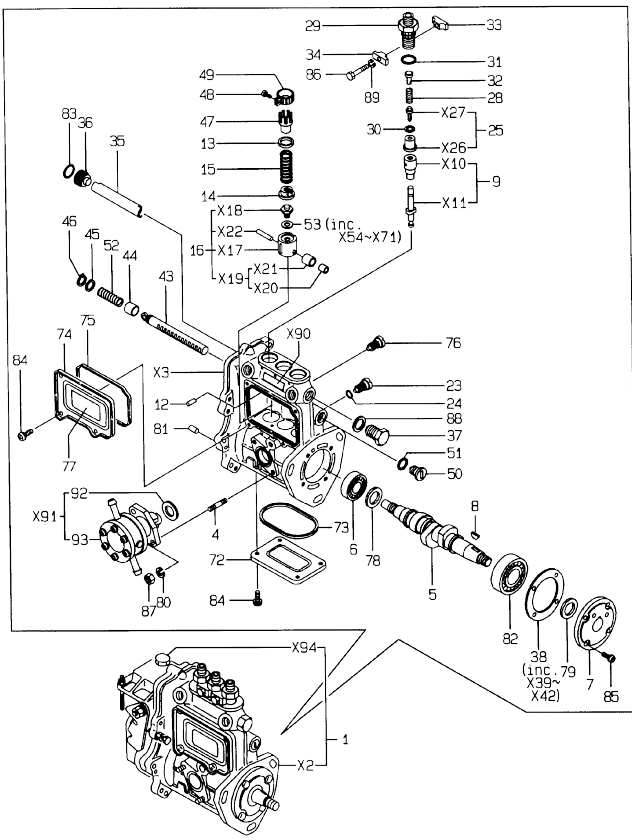


No.	Lev.	Parts No.	Description	Q'ty						I	R
				(A)	(B)	(C)	(D)	(E)	(F)		
1	1	121250-44901	SWITCH, 110	1							
2	1	129001-42003	PUMP ASSY, WATER	1							
13	2	23876-030000	PLUG, R03	2							
14	1	26106-080602	BOLT, M8X 60 PLATED	3							
15	1	25132-003800	V-BELT, A38	1							
16	1	129155-42350	V-PULLEY	1							
17	1	121550-49111	JOINT, PT1/4	1							
18	1	129100-42020	GASKET, WATER PUMP	1							
19	1	26014-060142	BOLT, M6X 14	4							
20	1	129350-49530	COVER, THERMOSTAT	1							
21	1	129795-49551	GASKET	1							
22	1	129155-49800	THERMOSTAT, 71	1							
23	1	129150-49811	GASKET, THERMOSTAT	1							
24	1	129100-49840	GASKET	1							
25	1	26106-080222	BOLT, M8X 22 PLATED	2							
26	1	121450-42450	PLUG, M16	1							
27	1	124465-44950	GASKET, 16	1							
28	1	124465-44950	GASKET, 16	1							
29	1	129001-42040	JOINT	1							
30	1	129486-42140	O-RING, G30	1							
31	1	26106-080162	BOLT, M8X 16 PLATED	3							
32	1	124450-44510	TANK ASSY, SUB	1							
34	2	124450-44530	CAP	1							
35	2	124450-44560	RETAINER	1							
36	2	23061-070230	PIPE, 7X 230	1							
37	1	121256-44600	BRACKET, SUB TANK	1							

OCV10-M67500

Fig.10. FUEL INJECTION PUMP

10.FUEL INJECTION PUMP



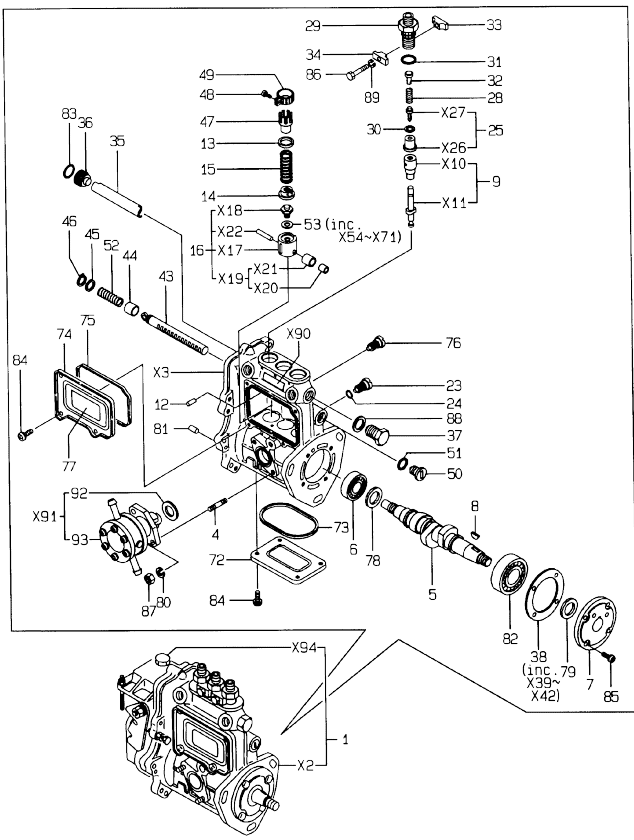
Remarks
 (1) GOVERNOR(FIG.NO.11)IS INCORPORATED IN THIS FUEL INJECTION PUMP. (REF.NO.1).

No.	Lev.	Parts No.	Description	Q'ty						I	R
				(A)	(B)	(C)	(D)	(E)	(F)		
1	1	729030-51410	PUMP ASSY, INJECTION	1							1
4	3	129155-51020	STUD	2							
5	3	119810-51040	CAMSHAFT	1							
6	3	129155-51050	BEARING, 17BM001D	1							
7	3	129155-51060	SUPPORT, CAMSHAFT	1							
8	3	122710-51090	KEY	1							
9	3	129470-51101	PLUNGER ASSY	3							
12	3	129155-51140	PIN	3							
13	3	174307-51170	RETAINER, SPRING A	3							
14	3	129155-51180	RETAINER, SPRING	3							
15	3	124950-51190	SPRING, PLUNGER	3							
16	3	129155-51200	TAPPET ASSY	3							
23	3	129155-51270	STOPPER, TAPPET	3							
24	3	129155-51280	O-RING, S6	3							
25	3	129100-51300	VALVE ASSY, DELIVERY	3							
28	3	129155-51320	SPRING, DELIVERY	3							
29	3	129155-51340	RETAINER	3							
30	3	124550-51350	GASKET, DELIVERY	3							
31	3	124550-51370	O-RING	3							
32	3	129155-51370	STOPPER, VALVE	3							
33	3	129155-51380	STOPPER	2							
34	3	129155-51390	STOPPER	2							
35	3	129155-51400	DEFLECTOR	1							
36	3	129155-51410	BOLT	1							
37	3	129155-51420	PLUG, M16	1							
38	3	129155-51450	SHIM SET, ADJUSTING	1							
43	3	129155-51500	RACK, CONTROL	1							
44	3	129155-51521	BUSH, RACK	1							
45	3	129155-51530	SPACER	1							
46	3	129155-51540	CIRCLIP	1							
47	3	129155-51550	PINION, CONTROL	3							
48	3	122117-51560	SCREW	3							
49	3	174307-51560	PINION	3							
50	3	129155-51570	PLUG, M12	1							
51	3	129155-51580	O-RING	1							
52	3	129155-51591	SPRING, RACK	1							
53	3	129155-51600	SHIM SET, ADJUSTING	3							
72	3	129155-51700	COVER	1							
73	3	129155-51710	GASKET	1							
74	3	129155-51750	COVER	1							
75	3	129155-51760	GASKET	1							
76	3	129155-51790	STOOPER, RACK	1							
77	3	129156-51910	LABEL, CAUTION	1							
78	3	129155-51930	SPACER, T=3.25	1							
79	3	129155-51940	SPACER, T=1.5	1							
80	3	22217-060000	WASHER, SPRING 6	2							
81	3	22351-050010	PIN, SPRING 5.0X10	2							
82	3	24101-063034	BEARING, BALL 6303	1							
83	3	24341-000160	O-RING, 1AS16.0	1							
84	3	26022-050102	SCREW, M5X10	8							
85	3	26022-060162	SCREW, M6X16	4							

N:Old $\frac{100}{100}$ New, Q:Old $\frac{100}{100}$ New, R:Old $\frac{100}{100}$ New, S:Old $\frac{100}{100}$ New, W:Add, Z:Discontinued, F:Interchangeable by set, K:Q'ty Change
 ++ CONTINUE ++
 Copyright (C) YANMAR CO., LTD. All Rights Reserved.

Fig.10. FUEL INJECTION PUMP

10.FUEL INJECTION PUMP

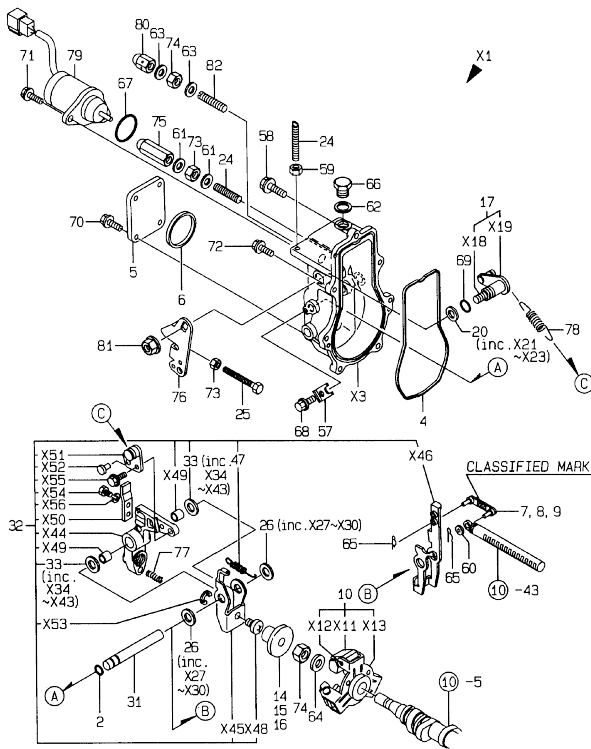


No.	Lev.	Parts No.	Description	Q'ty					
				(A)	(B)	(C)	(D)	(E)	(F)
86	3	26116-050302	BOLT, M5X 30 PLATED	2					
87	3	26716-060002	NUT, M6	2					
88	3	22190-160002	WASHER, SEAL 16	1					
89	3	22217-050000	WASHER, SPRING 5	2					
92	3	129155-52050	GASKET	1					
93	3	129100-52100	PUMP ASSY, FUEL FEED	1					

Remarks
 (1) GOVERNOR(FIG.NO.11)IS INCORPORATED IN THIS FUEL INJECTION PUMP.
 (REF.NO.1).

Fig.11. GOVERNOR

11. GOVERNOR



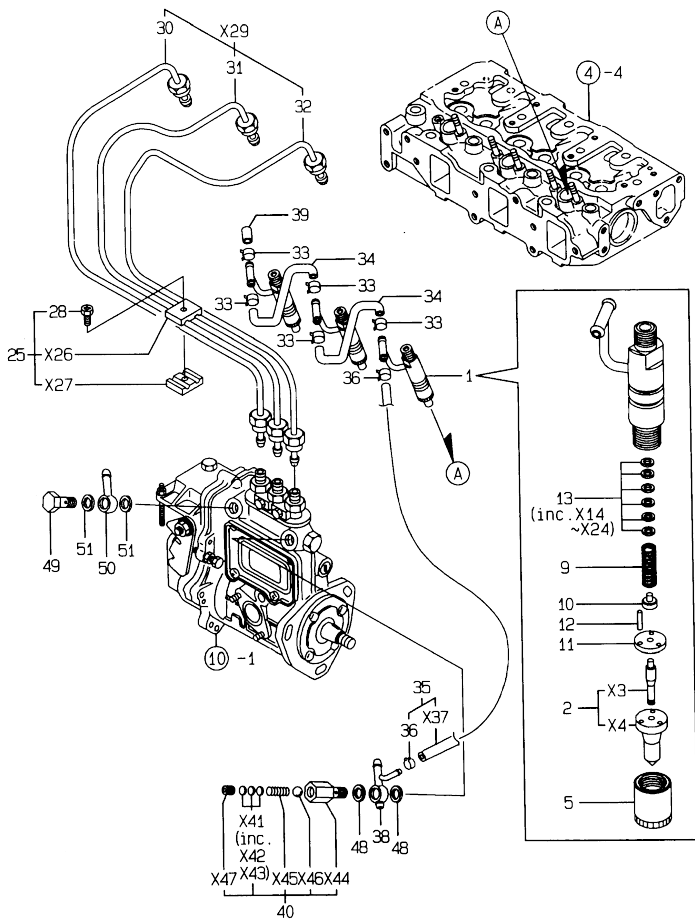
Remarks

- (1) SELECTIVE PARTS: CERTAIN THE CLASSIFICATION MARK, THEN PLACE YOUR ORDER.(REFER TO ILLUSTRATION).
- (2) SELECTIVE PARTS:
* THIS FIGURE(GOVERNOR ASSY)IS INCORPORATED IN THE FUEL INJECTION PUMP ASSY(FIG.10).

No.	Lev.	Parts No.	Description	Qty						I	R
				(A)	(B)	(C)	(D)	(E)	(F)		
2	3	129155-51280	O-RING, S6	1							
4	3	129052-61050	GASKET	1							
5	3	129052-61060	COVER, GOVERNOR CASE	1							
6	3	129052-61070	GASKET	1							
7	3	129155-61120	LINK, L=30 MARK 0	1							1
8	3	129155-61130	LINK, L=31 MARK 1	1							1
9	3	129155-61140	LINK, L=30.5 MARK 05	1							1
10	3	129155-61201	WEIGHT ASSY,GOVERNOR	1							
14	3	129155-61341	SLEEVE	1							2
15	3	129155-61350	SLEEVE, L=24.9	1							2
16	3	129155-61360	SLEEVE, L=25.2	1							2
17	3	129100-61400	SHAFT ASSY	1							
20	3	129155-61430	SPACER	1							
24	3	129155-61450	BOLT, LIMITER	2							
25	3	129155-61460	BOLT, IDLE	1							
26	3	129155-61480	SPACER ASSY	2							
31	3	129052-61390	SHAFT	1							
32	3	129052-61500	LEVER ASSY, GOVERNOR	1							
33	4	174307-51700	SHIM SET	2							
47	4	129052-61540	SPRING, SET	1							
57	3	119660-61901	RETAINER, SHAFT	1							
58	3	129155-61950	BOLT	1							
59	3	124550-66370	NUT, M6	1							
60	3	22117-040000	WASHER, 4	1							
61	3	22190-060003	SEAL WASER, 6	2							
62	3	22190-100002	WASHER, SEAL 10	1							
63	3	22190-120002	WASHER, SEAL 12	2							
64	3	22287-120000	WASHER, 12	1							
65	3	22372-040000	PIN, SNAP 4	2							
66	3	23887-100002	PLUG, 10	1							
67	3	24341-000280	O-RING, 1AS28.0	1							
67-1	3	158552-61900	O-RING	1							N
(A=EXXXXX)											
68	3	26106-060102	BOLT, M6X 10 PLATED	1							
69	3	129155-61830	O-RING, S10	1							
70	3	26106-060102	BOLT, M6X 10 PLATED	4							
71	3	26106-060142	BOLT, M6X 14 PLATED	2							
72	3	26106-060202	BOLT, M6X 20 PLATED	6							
73	3	26756-060002	NUT, LOCK M6	2							
74	3	26776-120002	NUT, LOCK M12	2							
75	3	119600-66840	NUT, CAP	1							
76	2	129100-61440	LEVER, CONTROL	1							
77	2	129100-61650	SPRING, CONTROLLER	1							
78	2	171353-61700	SPRING, GOVERNOR	1							
79	2	129209-77950	SOLENOID, STOP	1							
80	2	129100-61930	NUT, CAP	1							
81	2	26366-080002	NUT, M8	1							
82	2	129155-61470	BOLT, CONTROL	1							

Fig.12. FUEL INJECTION VALVE

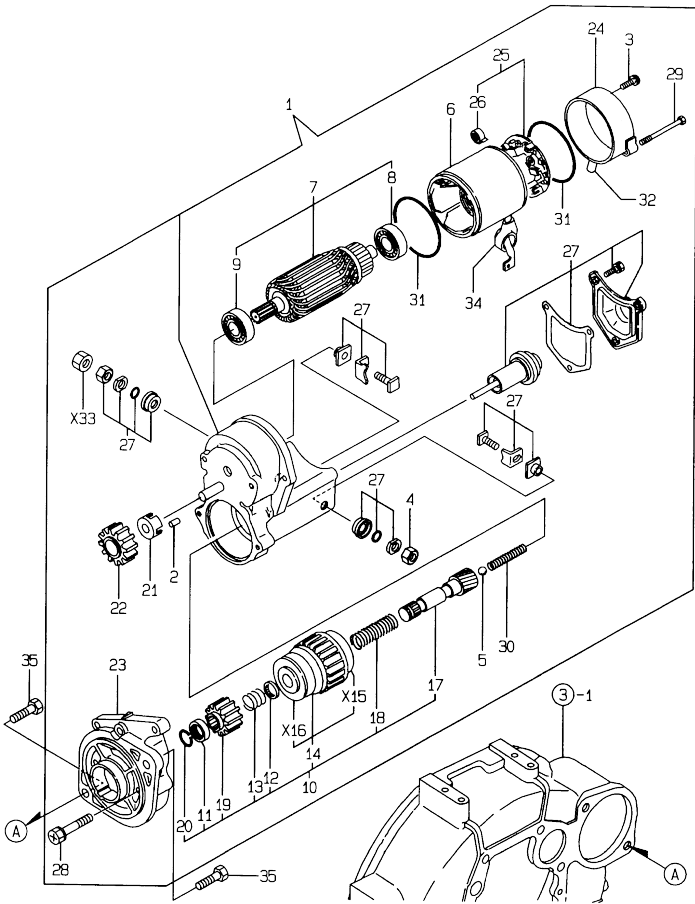
12.FUEL INJECTION VALVE



No.	Lev.	Parts No.	Description	Q'ty						I	R
				(A)	(B)	(C)	(D)	(E)	(F)		
1	1	729503-53100	VALVE ASSY,INJECTION	3							
2	2	129503-53000	VALVE ASSY,INJECTION	3							
5	2	114250-53080	NUT, NOZZLE D16.95	3							
9	2	114250-53120	SPRING, NOZZLE	3							
10	2	114250-53130	SEAT, SPRING	3							
11	2	114250-53140	PLATE	3							
12	2	114250-53210	PIN	6							
13	2	114250-53400	SHIM SET	3							
25	1	119305-59120	RETAINER, PIPE	2							
28	2	129150-59131	BOLT, M4X14	2							
30	2	129052-59710	PIPE ASSY, INJECTION	1							
31	2	129052-59720	PIPE ASSY, INJECTION	1							
32	2	129052-59730	PIPE ASSY, INJECTION	1							
33	1	124066-59100	CLIP, HOSE 8	7							
34	1	121250-59550	PIPE, FUEL D8X120	2							
35	1	119840-59500	PIPE ASSY, RETURN	1							
36	2	124066-59100	CLIP, HOSE 8	2							
38	1	119808-59570	JOINT, OVER FLOW	1							
39	1	129150-59580	CAP	1							
40	1	129100-59951	VALVE ASSY, CHECK	1							
48	1	22190-120002	WASHER, SEAL 12	2							
49	1	103854-39140	BOLT, PIPE JOINT	1							
50	1	101304-59020	JOINT, PIPE 12	1							
51	1	22190-120002	WASHER, SEAL 12	2							

Fig.13. STARTING MOTOR

13. STARTING MOTOR



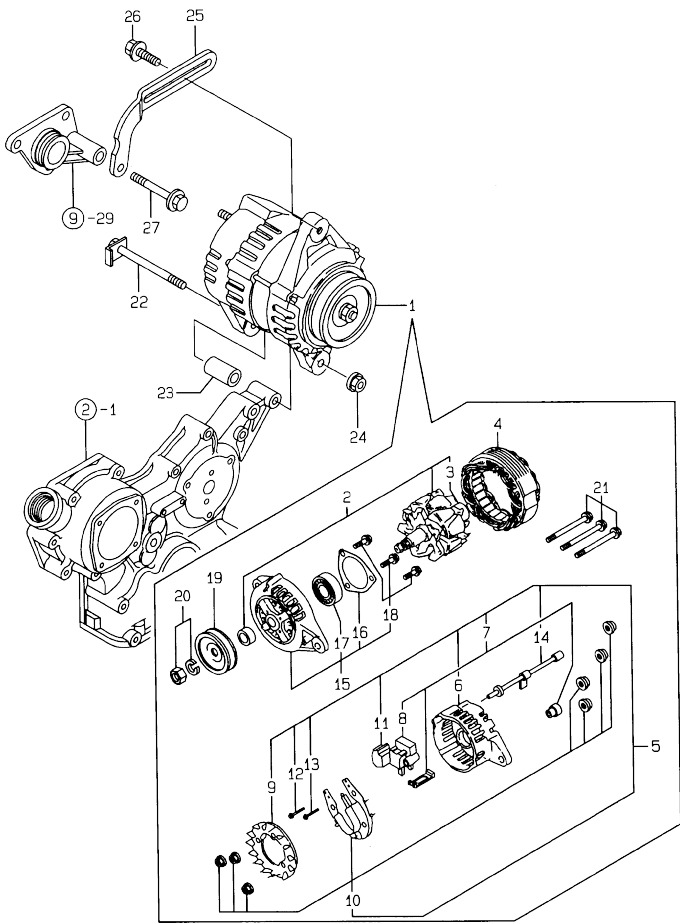
x-MARK PARTS: NOT SOLD SEPARATELY.

No.	Lev.	Parts No.	Description	Q'ty						I	R
				(A)	(B)	(C)	(D)	(E)	(F)		
1	1	129129-77010	STARTER ASSY	1							
2	2	X0283060061	ROLLER	5							
3	2	129129-77460	SCREW	2							
4	2	X9490561370	NUT	1							
5	2	X9491200240	BALL	1							
6	2	129129-77210	YOKE ASSY	1							
7	2	129129-77220	ARMATURE ASSY	1							
8	3	129129-77230	BEARING	1							
9	3	129129-77240	BEARING	1							
10	2	129129-77250	STARTER	1							
11	3	X0280210230	NUT	1							
12	3	X0283270140	RETAINER	1							
13	3	X9491703371	SPRING, COIL	1							
14	3	129129-77390	CLUTCH ASSY	1							
17	3	129129-77400	SHAFT	1							
18	3	129129-77410	SPRING, COIL	1							
19	3	129129-77420	PINION, STARTER	1							
20	3	129129-77430	RING	1							
21	2	129129-77260	RETAINER	1							
22	2	129129-77270	PINION	1							
23	2	129129-77280	HOUSING	1							
24	2	129129-77290	FRAME	1							
25	2	129129-77300	HOLDER ASSY	1							
26	3	X9491730461	SPRING	4							
27	2	129129-77310	SWITCH ASSY	1							
28	2	129129-77320	BOLT	2							
29	2	129129-77330	BOLT	2							
30	2	129129-77340	SPRING	1							
31	2	129129-77350	O-RING	2							
32	2	129129-77362	COVER	1							
34	2	129129-77380	CAP	1							
35	1	26116-120252	BOLT, M12X 25 PLATED	2							

N:Old $\frac{100}{100}$ New. Q:Old $\frac{100}{100}$ New. R:Old $\frac{100}{100}$ New. S:Old $\frac{100}{100}$ New. W:Add. Z:Discontinued. F:Interchangeable by set. K:Q'ty Change
 Copyright (C) YANMAR CO., LTD. All Rights Reserved.

Fig.14. GENERATOR

14. GENERATOR

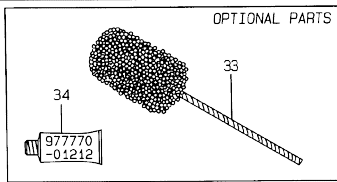
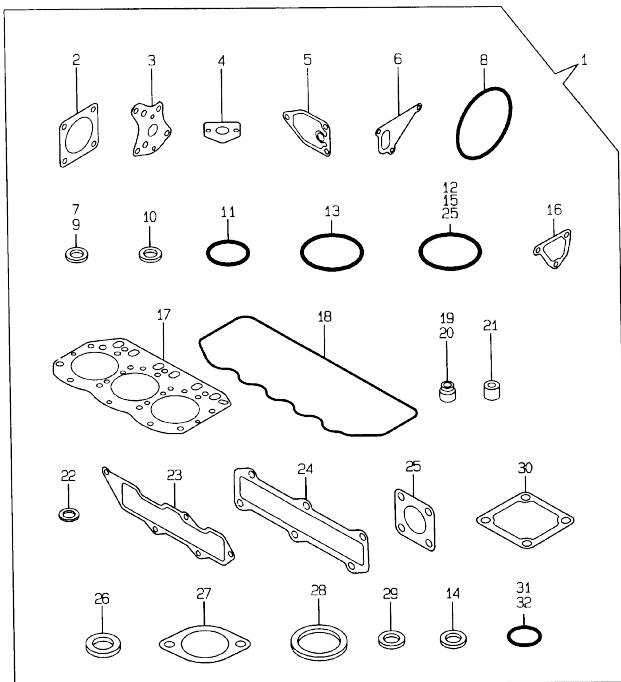


No.	Lev.	Parts No.	Description	Q'ty						I	R
				(A)	(B)	(C)	(D)	(E)	(F)		
1	1	119836-77200	GENERATOR	1							
2	2	119836-77700	ROTOR ASSY	1							
3	3	119836-77850	BALL BEARING	1							
4	2	119836-77710	STATOR ASSY	1							
5	2	119836-77721	COVER ASSY, REAR	1							
6	3	119836-77730	COVER, REAR	1							
7	3	119836-77741	BRUSH ASSY,REGULATOR	1							
8	4	119836-77750	BRUSH ASSY	1							
9	3	119836-77760	GUIDE, FAN SIDE	1							
10	3	119836-77770	DIODE ASSY	1							
11	3	119836-77780	CONDENSER	1							
12	3	119836-77871	BOLT (1)	1							
13	3	119836-77880	BOLT (2)	1							
14	3	119836-77890	WIRE ASSY, LEAD	1							
15	2	119836-77790	COVER ASSY, FRONT	1							
16	3	119836-77800	RETAINER, BEARING	1							
17	3	119836-77840	BALL BEARING	1							
18	3	119836-77860	SCREW KID	1							
19	2	119836-77810	PULLEY	1							
20	2	119836-77820	NUT ASSY, PULLEY	1							
21	2	119836-77830	BOLT, THROUGH	1							
22	1	129136-77251	BOLT, M8X110	1							
23	1	119820-77340	PIECE, DISTANCE	1							
24	1	129612-77260	NUT, ALTERNATOR	1							
25	1	129100-77320	ADJUSTER	1							
26	1	119810-77340	BOLT, ADJUSTER	1							
27	1	26106-080502	BOLT, M8X 50 PLATED	1							

N:Old $\frac{100}{100}$ New, Q:Old $\frac{100}{100}$ New, R:Old $\frac{100}{100}$ New, S:Old $\frac{100}{100}$ New, W:Add, Z:Discontinued, F:Interchangeable by set, K:Qty Change
 Copyright (C) YANMAR CO., LTD. All Rights Reserved.

Fig.15. GASKET SET

15.GASKET SET



Remarks
(1) OPTIONAL PART.

No.	Lev.	Parts No.	Description	Q'ty						I	R
				(A)	(B)	(C)	(D)	(E)	(F)		
1	1	729030-92700	GASKET SET	1							1
2	2	124240-01883	GASKET	1							
3	2	129150-32020	GASKET, PUMP	1							
4	2	129150-35041	GASKET	1							
5	2	129150-35111	GASKET	1							
6	2	129100-42020	GASKET, WATER PUMP	1							
7	2	22190-080002	WASHER, SEAL 6	5							
8	2	121850-51960	O-RING	1							
9	2	22190-080003	WASHER, SEAL 8	2							
10	2	23414-100000	GASKET, 10X1.0	2							
11	2	24311-000160	O-RING, 1AP16.0	3							
12	2	129486-42140	O-RING, G30	1							
13	2	24341-000240	O-RING, 1AS24.0	1							
14	2	22190-220002	WASHER, SEAL 22	1							
15	2	24311-000320	O-RING, 1AP32.0	2							
16	2	129100-49840	GASKET	1							
17	2	129001-01340	GASKET, HEAD	1							
18	2	129150-11310	GASKET, BONNET	1							
19	2	121400-11340	SEAL, VALVE STEM	3							
20	2	124460-11340	SEAL, VALVE STEM	3							
21	2	119625-11870	PROTECTOR, NOZZLE	3							
22	2	119625-11880	SEAT, NOZZLE	3							
23	2	129001-12110	GASKET, MANIFOLD	1							
24	2	129001-13110	GASKET	1							
25	2	24341-000500	O-RING, 1AS50.0	1							
26	2	124465-44950	GASKET, 16	2							
27	2	129795-49551	GASKET	1							
28	2	129150-49811	GASKET, THERMOSTAT	1							
29	2	22190-120002	WASHER, SEAL 12	4							
30	2	129150-77511	GASKET	1							
31	2	24311-240100	O-RING, 1AP10A	2							
32	2	24311-000120	O-RING, 1AP12.0	3							
33	1	129400-92430	HONE	1							1
34	1	977770-01212	GASKET, LIQUID	1							1

Parts No. Index

Parts No.	Fig. No.	Ref. No.	Parts No.	Fig. No.	Ref. No.	Parts No.	Fig. No.	Ref. No.	Parts No.	Fig. No.	Ref. No.
101304-59020	12	50	120130-11860	4	7	129001-13110	5	8	129129-77240	13	9
103854-39140	12	49	121023-01550	2	24		15	24	129129-77250	13	10
114250-53080	12	5	121111-21501	7	11	129001-21000	7	1	129129-77260	13	21
114250-53120	12	9	121250-44901	9	1	129001-22081	7	15	129129-77270	13	22
114250-53130	12	10	121250-59550	12	34	129001-22500	7	17	129129-77280	13	23
114250-53140	12	11	121256-44600	9	37	129001-22901	7	30	129129-77290	13	24
114250-53210	12	12	121400-11340	4	18	129001-22950	7	32	129129-77300	13	25
114250-53400	12	13		15	19	129001-32001	8	1	129129-77310	13	27
119260-34810	8	14	121450-01560	2	5	129001-35300	8	24	129129-77320	13	28
119305-59120	12	25	121450-42450	9	26	129001-42003	9	2	129129-77330	13	29
119600-66840	11	75	121550-23200	7	27	129001-42040	9	29	129129-77340	13	30
119620-01750	3	2	121550-49111	9	17	129001-91840	2	20	129129-77350	13	31
119625-11870	4	21	121850-21680	7	10	129052-59710	12	30	129129-77362	13	32
	15	21	121850-51960	2	11	129052-59720	12	31	129129-77380	13	34
119625-11880	4	22		15	8	129052-59730	12	32	129129-77390	13	14
	15	22	122117-51560	10	48	129052-61050	11	4	129129-77400	13	17
119625-11900	4	23	122710-51090	10	8	129052-61060	11	5	129129-77410	13	18
119640-01640	3	6	124066-59100	12	33	129052-61070	11	6	129129-77420	13	19
119660-61901	11	57			36	129052-61390	11	31	129129-77430	13	20
119808-12520	5	11	124160-01751	2	6	129052-61500	11	32	129129-77460	13	3
119808-12530	5	12		4	52	129052-61540	11	47	129135-34800	8	18
119808-12540	5	13	124160-01910	1	4	129100-01580	3	18	129136-34820	8	39
119808-59570	12	38	124160-11360	4	51			19	129136-77251	14	22
119810-51040	10	5	124160-39140	8	29		7	2	129150-01200	1	23
119810-77340	14	26	124160-39450	8	28	129100-01640	3	13	129150-02020	1	6
119820-77340	14	23	124240-01871	2	7	129100-01730	3	9	129150-02450	6	4
119836-77200	14	1	124240-01883	2	8	129100-11100	4	13	129150-02870	1	28
119836-77700	14	2		15	2	129100-11110	4	14	129150-02930	1	17
119836-77710	14	4	124450-44510	9	32	129100-11240	4	24	129150-02940	1	25
119836-77721	14	5	124450-44530	9	34	129100-11350	4	41	129150-03020	4	48
119836-77730	14	6	124450-44560	9	35	129100-11650	4	31	129150-03070	4	44
119836-77741	14	7	124460-11340	4	19	129100-23910	7	26	129150-03080	4	45
119836-77750	14	8		15	20	129100-25061	6	14	129150-03100	2	10
119836-77760	14	9	124465-44950	9	27	129100-42020	9	18	129150-11230	4	32
119836-77770	14	10			28		15	6	129150-11280	4	27
119836-77780	14	11		15	26	129100-49840	9	24	129150-11290	4	28
119836-77790	14	15	124550-51350	10	30		15	16	129150-11310	4	47
119836-77800	14	16	124550-51370	10	31	129100-51300	10	25		15	18
119836-77810	14	19	124550-59820	8	35	129100-52100	10	93	129150-11370	4	20
119836-77820	14	20	124550-59830	8	34	129100-59951	12	40	129150-11750	4	34
119836-77830	14	21	124550-66370	11	59	129100-61400	11	17	129150-11810	4	9
119836-77840	14	17	124736-07900	4	2	129100-61440	11	76	129150-14101	6	6
119836-77850	14	3	124950-51190	10	15	129100-61650	11	77	129150-14200	6	1
119836-77860	14	18	129001-01340	1	24	129100-61930	11	80	129150-14400	6	2
119836-77871	14	12		15	17	129100-77320	14	25	129150-21200	7	4
119836-77880	14	13	129001-02930	1	20	129129-14580	6	3	129150-23600	7	28
119836-77890	14	14	129001-11700	4	4	129129-77010	13	1	129150-23610	7	36
119840-59500	12	35	129001-12100	5	1	129129-77210	13	6	129150-25101	6	9
119865-21600	7	14	129001-12110	5	2	129129-77220	13	7	129150-25900	6	13
119888-01600	3	1		15	23	129129-77230	13	8	129150-25920	6	12

Parts No. Index

Parts No.	Fig. No.	Ref. No.
129150-32020	8	38
	15	3
129150-35041	8	15
	15	4
129150-35091	8	16
129150-35101	8	21
129150-35111	8	22
	15	5
129150-35151	8	23
129150-35350	8	25
129150-39450	8	30
129150-49811	9	23
	15	28
129150-59131	12	28
129150-59580	12	39
129150-77511	5	5
	15	30
129155-11260	4	25
129155-11270	4	26
129155-42350	9	16
129155-49800	9	22
129155-51020	10	4
129155-51050	10	6
129155-51060	10	7
129155-51140	10	12
129155-51180	10	14
129155-51200	10	16
129155-51270	10	23
129155-51280	10	24
	11	2
129155-51320	10	28
129155-51340	10	29
129155-51370	10	32
129155-51380	10	33
129155-51390	10	34
129155-51400	10	35
129155-51410	10	36
129155-51420	10	37
129155-51450	10	38
129155-51500	10	43
129155-51521	10	44
129155-51530	10	45
129155-51540	10	46
129155-51550	10	47
129155-51570	10	50
129155-51580	10	51
129155-51591	10	52
129155-51600	10	53
129155-51700	10	72
129155-51710	10	73

Parts No.	Fig. No.	Ref. No.
129155-51750	10	74
129155-51760	10	75
129155-51790	10	76
129155-51930	10	78
129155-51940	10	79
129155-52050	10	92
129155-61120	11	7
129155-61130	11	8
129155-61140	11	9
129155-61201	11	10
129155-61341	11	14
129155-61350	11	15
129155-61360	11	16
129155-61430	11	20
129155-61450	11	24
129155-61460	11	25
129155-61470	11	82
129155-61480	11	26
129155-61830	11	69
129155-61950	11	58
129156-51910	10	77
129188-21590	7	12
129202-22300	7	21
129209-77950	11	79
129350-49530	9	20
129400-01520	2	4
129400-92430	15	33
129470-51101	10	9
129486-01670	3	16
129486-12581	5	7
129486-42140	9	30
	15	12
129503-53000	12	2
129612-77260	14	24
129619-12500	5	9
129619-12510	5	10
129795-01780	3	15
129795-01800	2	3
129795-01950	2	9
129795-02411	1	13
129795-11120	4	15
129795-11180	4	16
129795-21661	7	9
129795-49551	9	21
	15	27
158552-61900	11	67 -1
171051-01921	1	5
171340-21650	7	8
171350-03090	4	1
171353-61700	11	78

Parts No.	Fig. No.	Ref. No.
174307-51170	10	13
174307-51560	10	49
174307-51700	11	33
22117-040000	11	60
22190-060003	11	61
22190-080002	2	22
	15	23
	15	7
22190-080003	8	19
	15	36
	15	9
22190-100002	11	62
22190-120002	11	63
	12	48
	15	51
	15	29
22190-160002	10	88
22190-220002	3	8
	15	14
22217-050000	10	89
22217-060000	10	80
22217-120000	6	16
22252-000260	7	22
22287-120000	11	64
22351-040010	7	7
22351-050010	10	81
22351-060012	4	38
22372-040000	11	65
22512-070140	6	7
	7	5
23061-070230	9	36
23414-100000	8	37
	15	10
23871-010000	1	9
23876-030000	9	13
23887-100002	11	66
24101-063034	10	82
24311-000120	4	40
	15	32
24311-000160	2	12
	8	26
	15	11
24311-000320	2	13
	4	53
	15	15
24311-240100	8	40
	15	31
24341-000160	10	83
24341-000240	2	25
	15	13

Parts No.	Fig. No.	Ref. No.
24341-000280	11	67
24341-000500	4	49
	15	25
25132-003800	9	15
26014-060142	9	19
26022-050102	10	84
26022-060162	10	85
26106-060102	11	68
	11	70
26106-060142	11	71
26106-060162	2	26
26106-060202	11	72
26106-080122	2	14
26106-080142	4	3
	6	8
26106-080162	2	15
	16	16
	3	10
	4	50
	9	31
26106-080202	2	17
	5	3
	6	6
	8	27
26106-080222	9	25
26106-080252	3	11
	4	36
	8	41
26106-080352	3	17
	8	20
26106-080452	2	18
	3	12
	6	15
	12	-1
26106-080502	3	21
	4	37
	14	27
26106-080552	2	19
26106-080602	9	14
26106-080802	5	4
26116-050302	10	86
26116-120252	13	35
26206-100252	3	3
26206-100302	3	4
26216-060202	4	11
26226-080182	4	35
26366-060002	4	39
26366-080002	2	21
	11	81
26450-060252	8	17

Parts No. Index

Parts No.	Fig. No.	Ref. No.
26716-060002	10	87
26716-120002	6	17
26756-060002	11	73
26776-120002	11	74
27231-500000	1	10
27241-120000	1	11
27241-300000	1	12
27241-400000	4	12
27310-080001	4	17
719810-01500	2	1
729001-01560	1	1
729030-51410	10	1
729030-92700	15	1
729102-01540	3	5
729402-23100	7	23
729503-53100	12	1
977770-01212	2	27
	3	20
	15	34
X0280210230	13	11
X0283060061	13	2
X0283270140	13	12
X9490561370	13	4
X9491200240	13	5
X9491703371	13	13
X9491730461	13	26

Parts No.	Fig. No.	Ref. No.
-----------	----------	----------

Parts No.	Fig. No.	Ref. No.
-----------	----------	----------

Parts No.	Fig. No.	Ref. No.
-----------	----------	----------