

0CD10-M57101EN

Introduction

1. This parts catalog for DENYO Co., Ltd. OEM engine 3TNE88-DG is published as a revised edition.

	Date of issue	Remarks
First edition	June, 1996	No need
1st revised edition	May, 2020	

2. This parts catalog does not contain the technical data needed for maintenance service.

3. The illustrations used in this parts catalog have been simplified for clarity.

4. The contents of this parts catalog are subject to change without notice.

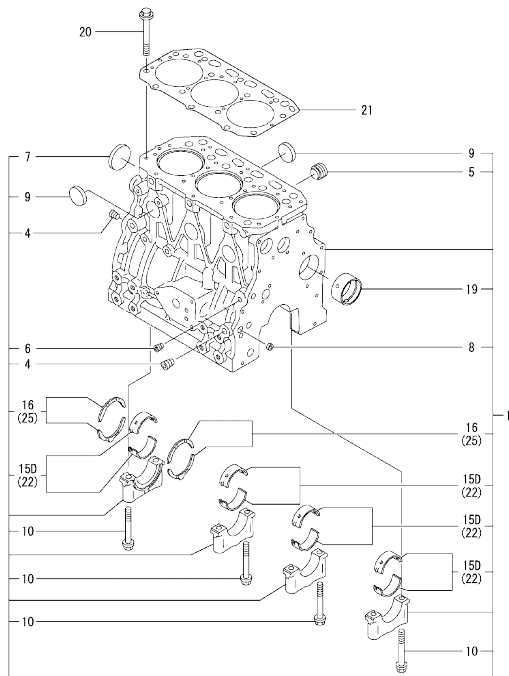
5. Be sure to use only Yanmar genuine parts for repairs. If imitation parts are used, it may cause engine defects.

Contents

OCD10-M57101

Fig. No.	Fig. Name	Fig. No.	Fig. Name
ENGINE			
1.	CYLINDER BLOCK		
2.	GEAR HOUSING		
3.	FLYWHEEL HOUSING & OIL SUMP		
4.	CYLINDER HEAD & BONNET		
5.	SUCTION & EXHAUST MANIFOLD		
6.	CAMSHAFT & DRIVING GEAR		
7.	CRANKSHAFT & PISTON		
8.	LUB. OIL SYSTEM		
9.	COOLING WATER SYSTEM		
10.	FUEL INJECTION PUMP		
11.	GOVERNOR		
12.	FUEL INJECTION VALVE		
13.	FUEL PIPE		
14.	STARTER MOTOR(PREVIOUS)		
18.	(14A)STARTER MOTOR(NEW)		
15.	GENERATOR		
16.	ELECTRIC PARTS		
17.	GASKET SET		

Fig.1. CYLINDER BLOCK



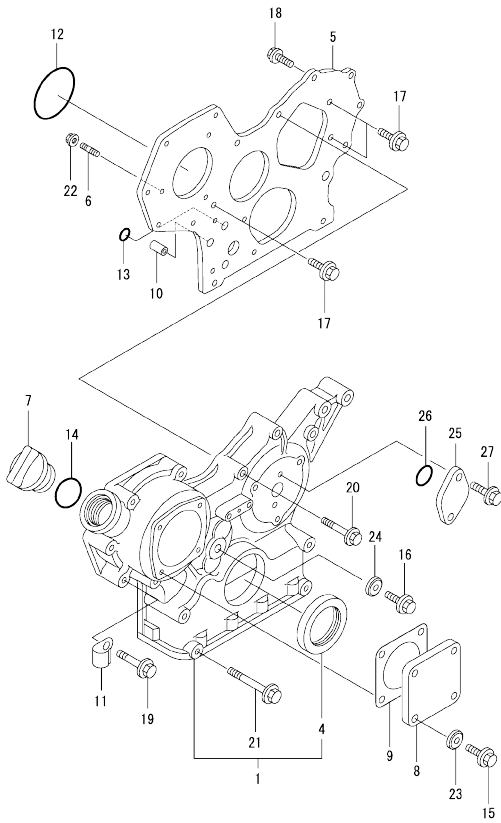
(A)=3TNE88-DGCL, V
(B)=
(C)=

(D)=
(E)=
(F)=

No.	Lev.	Parts No.	Description	Q'ty						I	R
				(A)	(B)	(C)	(D)	(E)	(F)		
1	1	729001-01560	BLOCK ASSY, CYLINDER	1							
4	2	124160-01910	PLUG, PT1/4	3							
5	2	171051-01921	PLUG, NPTF1	1							
6	2	23871-010000	PLUG, R01	1							
6-1	2	23876-010000	PLUG, R01	1							N
(A=1999.07)											
7	2	27231-500000	PLUG 50	1							
7-1	2	129001-01250	PLUG, 50	1							N
(A=1999.12)											
8	2	27241-120000	PLUG, 12	2							
9	2	27241-300000	PLUG(30)	6							
10	2	129150-02020	BOLT, METAL CAP	8							
15D	2	129001-02931	METAL ASSY, MAIN	4							W 3
(A=E61154)											
16	2	129150-02930	BEARING ASSY, THRUST	2							
16-1	2	129150-02931	METAL ASSY, THRUST	2							N
(A=E61154)											
19	2	129795-02411	BUSH, CAMSHAFT	1							
19-1	2	129795-02412	BUSH, CAMSHAFT	1							N
(A=E61154)											
20	1	129150-01200	BOLT, CYLINDER HEAD	14							
21	1	129001-01340	GASKET, HEAD	1							
22	1	129150-02870	METAL ASSY, MAIN .25	4							1
22-1	1	129150-02871	METAL ASSY, MAIN .25	4							N 1
(A=E61154)											
25	1	129150-02940	METAL ASSY, 0.25 OS	2							2
25-1	1	129150-02941	METAL ASSY, 0.25 OS	2							N 2
(A=E61154)											

Remarks
(1)Under-sized(U.S.=0.25) parts.
(2)Over-sized(O.S.=0.25) parts.
(3)Spare parts.

Fig.2. GEAR HOUSING

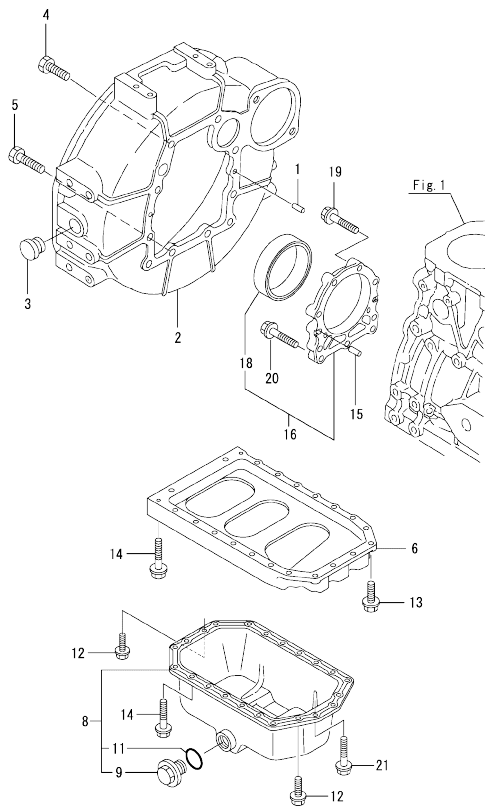


(A)=3TNE88-DGCL, V
(B)=
(C)=

(D)=
(E)=
(F)=

No.	Lev.	Parts No.	Description	Qty						I	R
				(A)	(B)	(C)	(D)	(E)	(F)		
1	1	719810-01500	CASE ASSY, GEAR	1							
4	2	129795-01800	SEAL, OIL	1							
5	1	129400-01520	FLANGE, GEAR CASE	1							
6	1	121450-01560	BOLT, PUMP M8X22	3							
7	1	124160-01751	CAP, FILLER	1							
8	1	124240-01871	COVER, HYDRAULIC PUMP	1							
9	1	124240-01883	GASKET, PUMP	1							
10	1	129795-01950	PIPE, KNOCK L=18	2							
11	1	129150-03100	RETAINER, PIPE	1							
12	1	121850-51960	O-RING, FUEL PUMP	1							
13	1	24311-000160	O-RING, 1AP16.0	2							
13-1	1	119609-32040	O-RING, P16	2							R
(A=2001.11)											
14	1	24311-000320	O-RING, 1AP32.0	1							
15	1	26106-080122	BOLT, M8X 12 PLATED	4							
16	1	26106-080162	BOLT, M8X 16 PLATED	1							
17	1	26106-080162	BOLT, M8X 16 PLATED	3							
18	1	26106-080202	BOLT, M8X 20 PLATED	2							
19	1	26106-080452	BOLT, M8X 45 PLATED	6							
20	1	26106-080552	BOLT, M8X 55 PLATED	3							
21	1	26106-080852	BOLT, M8X 85 PLATED	4							
22	1	26366-080002	NUT, M8	3							
22-1	1	26306-080002	NUT, M8	3							N
(A=2001.06)											
23	1	22190-080002	WASHER, SEAL 8	4							
24	1	22190-080002	WASHER, SEAL 8	1							
25	1	121023-01550	COVER	1							
25-1	1	121023-01551	COVER, TACHOMETER	1							R
(A=E61154)											
26	1	24341-000240	O-RING, 1AS24.0	1							
27	1	26106-060122	BOLT, M6X 12 PLATED	2							
27-1	1	26106-060162	BOLT, M6X 16 PLATED	2							R
(A=E61154)											

Fig.3. FLYWHEEL HOUSING & OIL SUMP

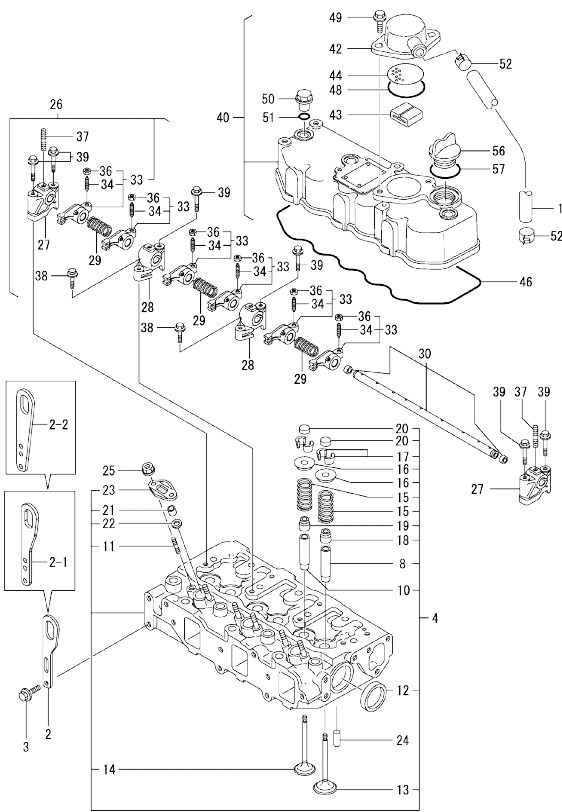


(A)=3TNE88-DGCL, V
(B)=
(C)=

(D)=
(E)=
(F)=

No.	Lev.	Parts No.	Description	Q'ty						I	R
				(A)	(B)	(C)	(D)	(E)	(F)		
1	1	129100-01580	PIN, PARALLEL 8X16	2							
2	1	171420-01600	HOUSING, FLYWHEEL	1							
3	1	119620-01750	CAP, WHEEL COVER	1							
4	1	26206-100252	BOLT, M10X 25 PLATED	6							
5	1	26206-100302	BOLT, M10X 30 PLATED	4							
6	1	129100-01730	SPACER, OIL PAN	1							
8	1	129100-01760	OIL PAN ASSY	1							
9	2	171301-01640	PLUG, DRAIN M22	1							
9-1	2	119640-01640	PLUG, DRAIN M22	1							N
(A=E58233)											
11	2	24341-000250	O-RING, 1AS25.0	1							
11-1	2	22190-220002	WASHER, SEAL 22	1							N
(A=E58233)											
12	1	26106-080162	BOLT, M8X 16 PLATED	4							
13	1	26106-080252	BOLT, M8X 25 PLATED	2							
14	1	26106-080452	BOLT, M8X 45 PLATED	16							
15	1	129100-01580	PIN, PARALLEL 8X16	2							
16	1	129100-01640	CASE ASSY, OIL SEAL	1							
18	2	129795-01780	SEAL, OIL	1							
19	1	26106-080302	BOLT, M8X 30 PLATED	6							
19-1	1	129486-01670	BOLT, M8X30	6							R
(A=1996.06)											
20	1	26106-080352	BOLT, M8X 35 PLATED	3							
21	1	26106-080502	BOLT, M8X 50 PLATED	4							

Fig.4. CYLINDER HEAD & BONNET



(A)=3TNE88-DGCL, V
(B)=
(C)=

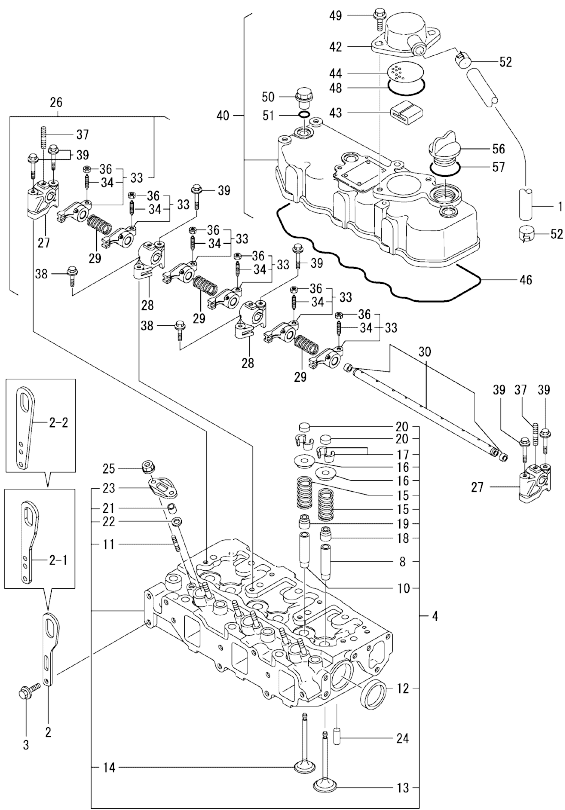
(D)=
(E)=
(F)=

No.	Lev.	Parts No.	Description	Q'ty						I	R
				(A)	(B)	(C)	(D)	(E)	(F)		
1	1	129410-03100	PIPE, BREATHER	1							
2	1	124736-07900	LIFTER, ENGINE	2							
2-1	1	129604-07900	LIFTER	2							N
2-2	1	129900-07900	LIFTER, ENGINE	2							N
(A=2009.05)											
(A=2009.08)											
3	1	26106-080142	BOLT, M8X 14 PLATED	4							
3-1	1	26106-080162	BOLT, M8X 16 PLATED	4							Q
(A=2017.11)											
4	1	129001-11700	HEAD ASSY, CYLINDER	1							
8	2	120130-11860	GUIDE, VALVE	3							1
10	2	129150-11810	GUIDE, VALVE	3							1
11	2	26216-060202	STUD, M6X 20	6							
12	2	27241-400000	PLUG, 40	2							
13	2	129100-11100	VALVE, INTAKE	3							
14	2	129100-11110	VALVE, EXHAUST	3							
14-1	2	129100-11111	VALVE, EXHAUST	3							R
(A=E60233)											
14-2	2	129100-11112	VALVE, EXHAUST	3							R
(A=E61154)											
15	2	129795-11120	SPRING, VALVE	6							
16	2	129795-11180	RETAINER, SPRING	6							
17	2	27310-080001	COTTER, 8	6							
18	2	121400-11340	SEAL, VALVE STEM	3							
19	2	124460-11340	SEAL, VALVE STEM	3							
20	2	129150-11370	CAP, VALVE	6							
21	2	119625-11871	PROTECTOR, NOZZLE	3							
21-1	2	119625-11870	PROTECTOR, NOZZLE	3							N
(A=1997.08)											
22	2	119625-11880	SEAT, NOZZLE	3							
23	2	119625-11900	RETAINER, NOZZLE	3							
24	1	22351-060012	PIN, SPRING 6.0X12	2							
25	1	26366-060002	NUT, M6	6							
26	1	129100-11240	SHAFT ASSY, ROCKER	1							
27	2	129155-11260	SUPPORT, ROCKER A	2							
28	2	129155-11270	SUPPORT, ROCKER B	2							
29	2	129150-11280	SPRING, SHAFT	3							
30	2	129150-11290	SHAFT ASSY, ROCKER	1							
33	2	129100-11650	ARM ASSY, ROCKER	6							
34	3	129150-11230	SCREW, VALVE ADJUST	6							
36	3	129150-11750	NUT, M8XP1.0	6							
37	2	26226-080182	STUD, M8X 18	3							
37-1	2	119802-11280	BOLT, STUD	3							R
(A=2002.03)											
38	1	26106-080252	BOLT, M8X 25 PLATED	2							
39	1	26106-080502	BOLT, M8X 50 PLATED	6							
40	1	129100-11350	BONNET ASSY, HEAD	1							
40-1	1	129100-11351	BONNET ASSY, HEAD	1							N
(A=1999.11)											
40-2	1	729132-11521	BONNET ASSY, HEAD	1							R
(A=1999.11)											

Remarks
(1)Spare parts.

N:Old $\frac{N10}{10}$ New, Q:Old $\frac{Q10}{10}$ New, R:Old $\frac{R10}{10}$ New, S:Old $\frac{S10}{10}$ New, W:Add, Z:Discontinued, F:Interchangeable by set, K:Q'ty Change
++ CONTINUE ++
Copyright (C) 2020 YANMAR GLOBAL CS CO., LTD. All Rights Reserved.

Fig.4. CYLINDER HEAD & BONNET



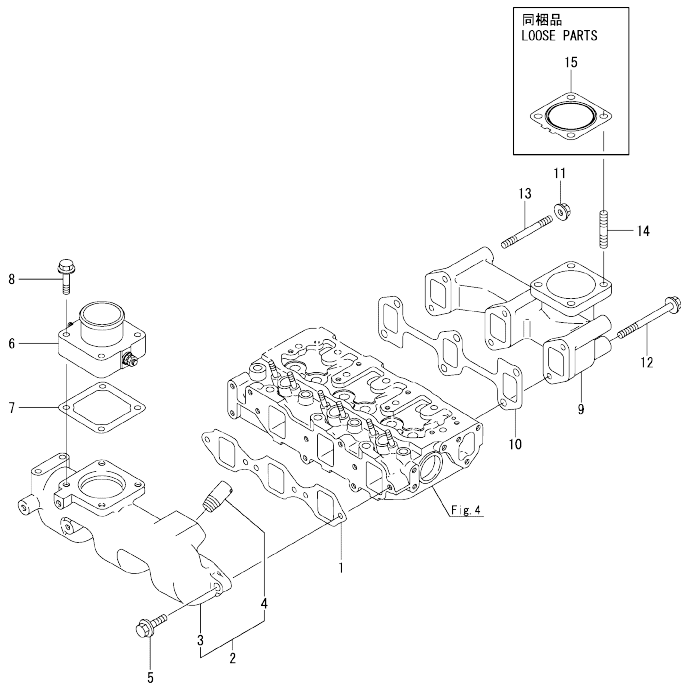
(A)=3TNE88-DGCL, V
(B)=
(C)=

(D)=
(E)=
(F)=

No.	Lev.	Parts No.	Description	Q'ty						I	R
				(A)	(B)	(C)	(D)	(E)	(F)		
42	2	129150-03020	COVER, BREATHER	1							
43	2	129150-03070	BAFFLE, BREATHER	1							
44	2	129150-03080	PLATE, BAFFLE	1							
46	2	129150-11310	GASKET, BONNET	1							
48	2	24341-000500	O-RING, 1AS50.0	1							
49	2	26106-080162	BOLT, M8X 16 PLATED	2							
50	1	124160-11360	KNOB, BONNET	3							
51	1	24311-000120	O-RING, 1AP12.0	3							
52	1	129410-03990	CLAMP, HOSE 21.5	2							
56	1	124160-01751	CAP, FILLER	1							
57	1	24311-000320	O-RING, 1AP32.0	1							

Remarks
(1)Spare parts.

Fig.5. SUCTION & EXHAUST MANIFOLD

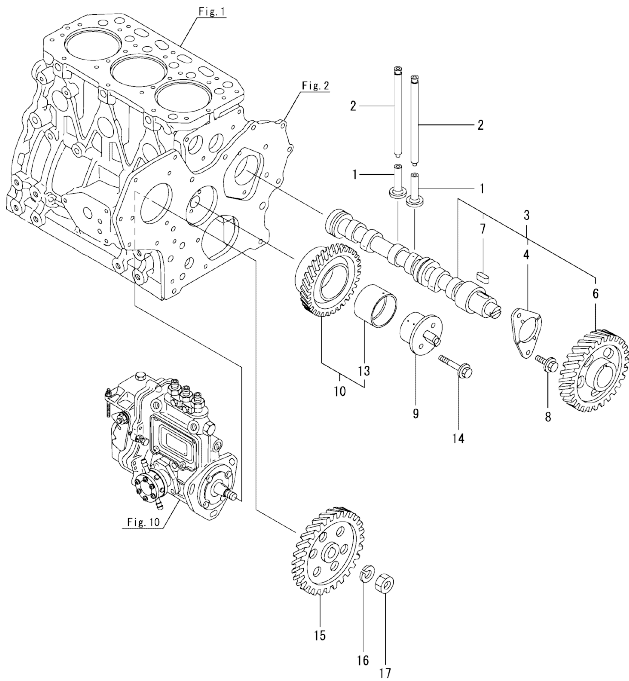


(A)=3TNE88-DGCL, V
(B)=
(C)=

(D)=
(E)=
(F)=

No.	Lev.	Parts No.	Description	Qty						I	R
				(A)	(B)	(C)	(D)	(E)	(F)		
1	1	129150-12111	GASKET, MANIFOLD	1							
2	1	129115-12100	MANIFOLD ASSY,INTAKE	1							
3	2	129115-12110	MANIFOLD, INTAKE	1							
4	2	104407-44480	JOINT, RUBBER PIPE	1							
5	1	26106-080252	BOLT, M8X 25 PLATED	4							
6	1	129120-77501	HEATER, AIR	1							
6-1	1	129120-77502	HEATER, AIR	1							R
		(A=E61154)									
7	1	129150-77511	GASKET, AIR HEATER	1							
8	1	26106-080352	BOLT, M8X 35 PLATED	4							
9	1	171350-13100	MANIFOLD, EXHAUST	1							
10	1	129150-13110	GASKET, MANIFOLD	1							
11	1	194990-22050	NUT, M8	2							
11-1	1	26366-080002	NUT, M8	2							R
		(A=*1998.05)									
11-2	1	26306-080002	NUT, M8	2							N
		(A=*2001.06)									
12	1	26106-080802	BOLT, M8X 80 PLATED	4							
12-1	1	129E00-13640	BOLT, M8X80 10.9T	4							N
		(A=*2015.01)									
13	1	26216-080802	STUD, M8X 80	2							
13-1	1	123900-13610	STUD, M8X80	2							R
		(A=*2002.09)									
14	1	26216-080222	STUD, M8X 22	4							
14-1	1	119131-18320	STUD, M8X22	4							N
		(A=*1998.11)									
15	1	124701-11911	GASKET, SILENCER	1							

Fig.6. CAMSHAFT & DRIVING GEAR



(A)=3TNE88-DGCL, V
(B)=
(C)=

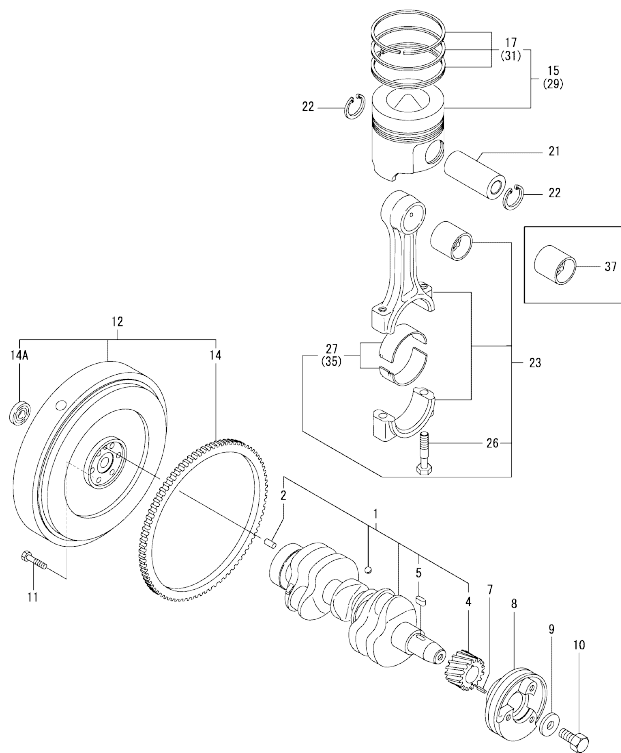
(D)=
(E)=
(F)=

No.	Lev.	Parts No.	Description	Q'ty						I	R
				(A)	(B)	(C)	(D)	(E)	(F)		
1	1	129150-14200	TAPPET	6							
2	1	129150-14400	ROD, PUSH L=178	6							
3	1	129129-14580	CAMSHAFT ASSY	1							
4	2	129150-02450	METAL, THRUST	1							
6	2	129150-14101	GEAR, CAMSHAFT	1							
7	2	22512-070140	KEY, 7X 14	1							
8	1	26106-080162	BOLT, M8X 16 PLATED	2							
8-1	1	26106-080142 (A=1997.05)	BOLT, M8X 14 PLATED	2							N
9	1	129100-25061	SHAFT, IDLE GEAR	1							
10	1	129150-25101	GEAR ASSY, IDLE	1							
13	2	129150-25920	BUSH, IDLE GEAR	1							1
14	1	26106-080452	BOLT, M8X 45 PLATED	2							
15	1	129150-25900	GEAR, PUMP	1							
16	1	22217-120000	WASHER, SPRING 12	1							
17	1	26716-120002	NUT, M12	1							

Remarks

(1)Spare parts.

Fig.7. CRANKSHAFT & PISTON



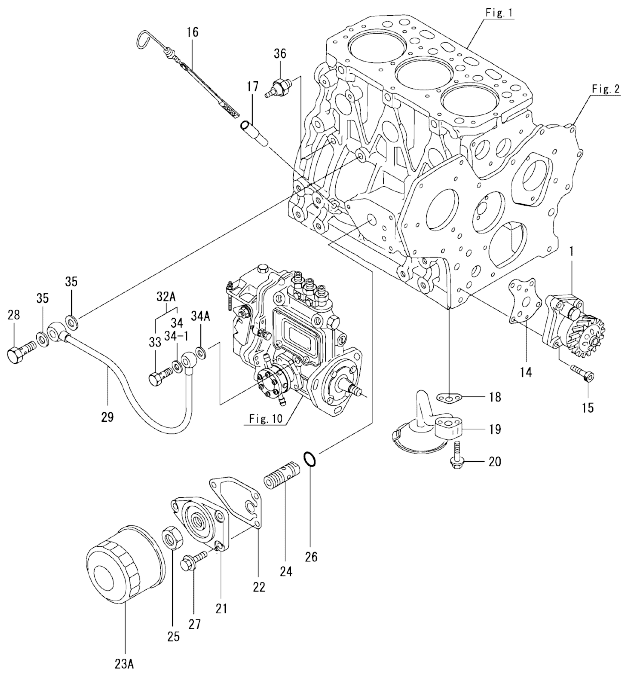
(A)=3TNE88-DGCL, V
(B)=
(C)=

(D)=
(E)=
(F)=

No.	Lev.	Parts No.	Description	Q'ty						I	R
				(A)	(B)	(C)	(D)	(E)	(F)		
1	1	129001-21000	CRANKSHAFT ASSY	1							
1-1	1	129001-21100 (A=2000.06)	CRANKSHAFT ASSY	1							S
2	2	129100-01580	PIN, PARALLEL 8X16	1							
4	2	129150-21200	GEAR, CRANKSHAFT	1							
5	2	22512-070140	KEY, 7X 14	1							
7	1	22351-040010	PIN, SPRING 4.0X10	1							
8	1	129116-21650	V-PULLEY, CRANKSHAFT	1							
9	1	129795-21661	WASHER, 14	1							
10	1	121850-21680	BOLT, V-PULLEY	1							
11	1	121111-21501	BOLT, FLYWHEEL	6							
12	1	129116-21590	FLYWHEEL ASSY	1							
14	2	124550-21600	GEAR, RING Z=127	1							
14A	2	24107-060034	BEARING, BALL 6003ZZ	1							
15	1	129001-22081	PISTON ASSY	3							
17	2	129001-22500	RING SET, PISTON	3							
21	1	129202-22300	PIN, PISTON D26 L70	3							
22	1	22252-000260	RING, 26	6							
23	1	729402-23100	ROD ASSY, CONNECTING	3							
26	2	121550-23200	BOLT, CONNECTING ROD	6							
27	2	129150-23600	BEARING, CRANK PIN	3							
27-1	2	129150-23601 (A=E61154)	METAL ASSY, CRANK PIN	3							N
29	1	129001-22901	PISTON ASSY, 0.25 OS	3							1
31	2	129001-22950	RING SET, PISTON .25	3							1
35	1	129150-23610	METAL, CRANK PIN .25	3							2
35-1	1	129150-23611 (A=E61154)	METAL, CRANK PIN .25	3							N 2
37	1	129100-23910	METAL, PISTON PIN	3							3

Remarks
(1)Over-sized(O.S.=0.25) parts.
(2)Under-sized(U.S.=0.25) parts.
(3)Spare parts.

Fig.8. LUB. OIL SYSTEM



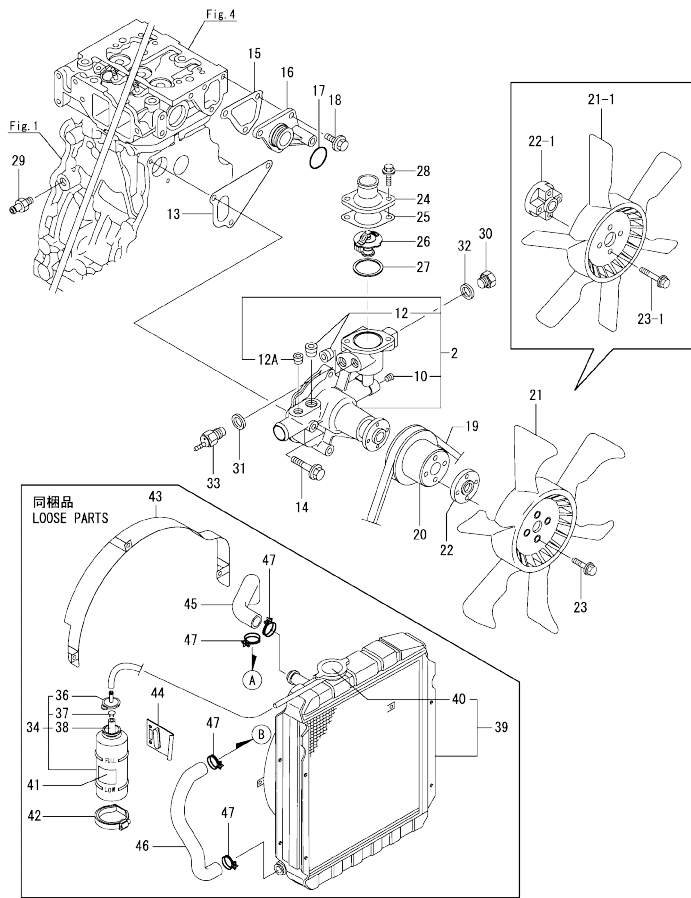
(A)=3TNE88-DGCL, V
(B)=
(C)=

(D)=
(E)=
(F)=

No.	Lev.	Parts No.	Description	Q'ty						I	R
				(A)	(B)	(C)	(D)	(E)	(F)		
1	1	129001-32001	PUMP ASSY, OIL	1							
1-1	1	129001-32002	PUMP ASSY, OIL	1							N
(A=2013.10)											
14	1	129150-32020	GASKET, PUMP	1							
15	1	26450-060252	BOLT, M6X 25	4							
16	1	129136-34800	DIPSTICK, OIL	1							
17	1	121520-34810	GUIDE, DIPSTICK	1							
18	1	129150-35041	GASKET	1							
18-1	1	129150-35042	GASKET, INLET PIPE	1							N
(A=E58233)											
19	1	129100-35301	PIPE ASSY, OIL INLET	1							
20	1	26106-080352	BOLT, M8X 35 PLATED	2							
21	1	129150-35101	BRACKET, FILTER	1							
22	1	129150-35111	GASKET, BRACKET	1							
23A	1	129150-35153	FILTER ASSY, D80X80L	1							1
24	1	129001-35300	BOLT, FILTER	1							
25	1	129150-35350	NUT	1							
26	1	24311-000160	O-RING, 1AP16.0	1							
27	1	26106-080202	BOLT, M8X 20 PLATED	3							
28	1	124160-39140	BOLT, PIPE JOINT M10	1							
29	1	129150-39450	PIPE ASSY, OIL	1							
32A	1	124550-59830	BOLT ASSY, JOINT M8	1							W
(A=1999.02)											
33	2	124550-59820	BOLT, PIPE JOINT M8	1							
34	2	22190-080002	WASHER, SEAL 8	2							
34-1	2	22190-080002	WASHER, SEAL 8	1							K
(A=1999.02)											
34A	1	22190-080002	WASHER, SEAL 8	1							W
(A=1999.02)											
35	1	23414-100000	GASKET, 10X1.0	2							
35-1	1	22190-100002	WASHER, SEAL 10	2							N
(A=1999.11)											
36	1	124160-39450	SWITCH, HYDRAULIC	1							
36-1	1	114250-39450	SWITCH, HYDRAULIC	1							N
(A=E55907)											

Remarks
(1)Spare parts.

Fig.9. COOLING WATER SYSTEM



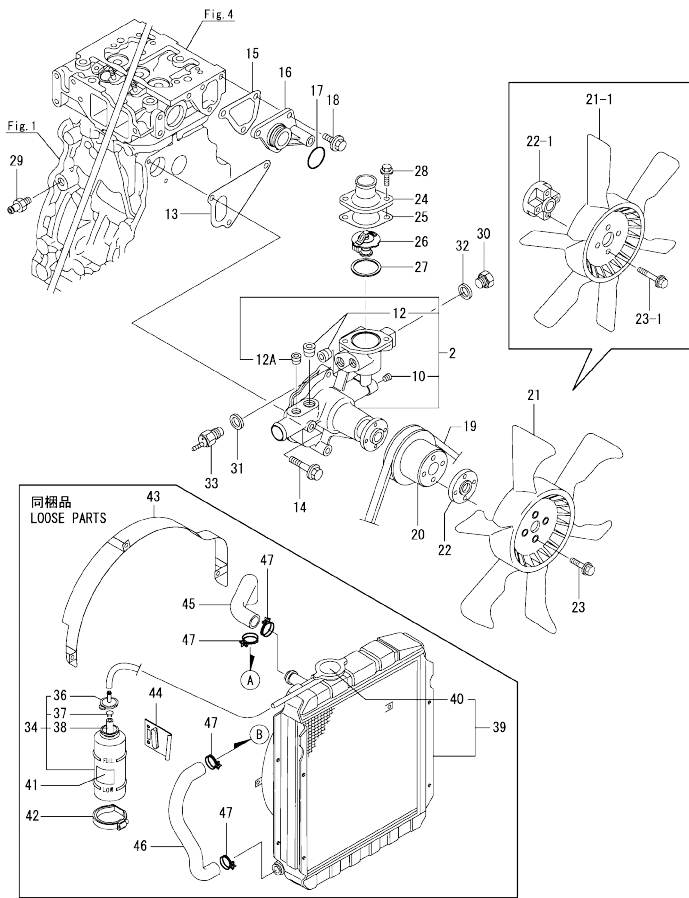
(A)=3TNE88-DGCL, V
(B)=
(C)=

(D)=
(E)=
(F)=

No.	Lev.	Parts No.	Description	Q'ty						I	R
				(A)	(B)	(C)	(D)	(E)	(F)		
2	1	129001-42001	PUMP ASSY, WATER	1							
2-1	1	129001-42002	PUMP ASSY, WATER	1							N
		(A=1996.05)									
2-2	1	129001-42003	PUMP ASSY, WATER	1							N
		(A=1999.08)									
2-3	1	129001-42004	PUMP ASSY, WATER	1							R
		(A=E61154)									
2-4	1	129001-42005	PUMP ASSY, CW	1							N
		(A=2019.03)									
10	3	23876-010000	PLUG, R01	1							
12	3	23871-030000	PLUG, R03	2							
12A	2	23876-020000	PLUG, R02	1							
12A-1	2	23875-020000	PLUG, R02	1							N
		(A=2010.02)									
13	1	129100-42020	GASKET, WATER PUMP	1							
13-1	1	129486-42021	GASKET, WATER PUMP	1							N
		(A=1999.08)									
14	1	26106-080602	BOLT, M8X 60 PLATED	3							
15	1	129100-49840	GASKET	1							
15-1	1	124395-49840	GASKET, THERMOSTAT	1							N
		(A=2000.03)									
16	1	129001-42040	JOINT, WATER PIPE	1							
17	1	24321-000300	O-RING, 1AG30.0	1							
17-1	1	129486-42140	O-RING, G30	1							N
		(A=1999.06)									
18	1	26106-080162	BOLT, M8X 16 PLATED	3							
19	1	25132-003800	V-BELT, A38	1							
19-1	1	119831-42290	V-BELT, A37.5	1							R
		(A=1998.02)									
20	1	129155-42350	V-PULLEY, PUMP	1							
21	1	171340-44740	FAN, COOLING D335XNF	1							
21-1	1	171037-44740	FAN, COOLING D=335XN	1							S
		(A=1997.05)									
22	1	124574-44761	SPACER, FAN 8MM	1							
22-1	1	121267-44760	SPACER, FAN 18MM	1							S
		(A=1997.05)									
23	1	26014-060252	BOLT, M6X 25	4							
23-1	1	26014-060352	BOLT, M6X 35	4							S
		(A=1997.05)									
24	1	129350-49560	COVER, THERMOSTAT	1							
25	1	129795-49551	GASKET, COVER	1							
26	1	129155-49800	THERMOSTAT, 71C	1							
26-1	1	129155-49801	THERMOSTAT, 71C	1							N
		(A=2003.04)									
27	1	129150-49811	GASKET, THERMOSTAT	1							
28	1	26106-080202	BOLT, M8X 20 PLATED	2							
29	1	121550-49111	JOINT, PT1/4	1							
30	1	121450-42450	PLUG, M16	1							
31	1	124465-44950	GASKET, 16	1							
32	1	124465-44950	GASKET, 16	1							
33	1	121250-44901	SWITCH, TEMPERATURE	1							

N:Old $\frac{100}{100}$ New, Q:Old $\frac{100}{100}$ New, R:Old $\frac{100}{100}$ New, S:Old $\frac{100}{100}$ New, W:Add, Z:Discontinued, F:Interchangeable by set, K:Q'ty Change
 ++ CONTINUE ++
 Copyright (C) 2020 YANMAR GLOBAL CS CO., LTD. All Rights Reserved.

Fig.9. COOLING WATER SYSTEM

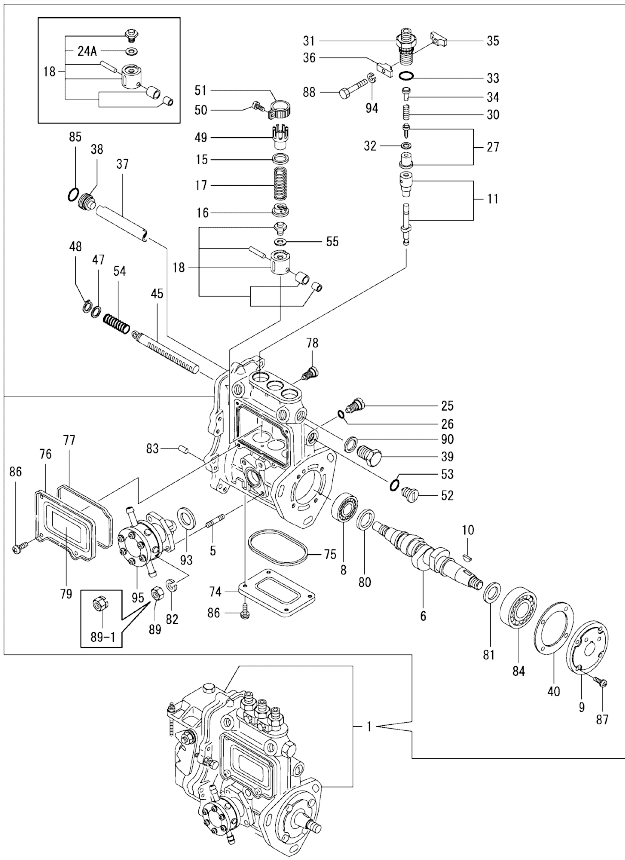


(A)=3TNE88-DGCL, V
(B)=
(C)=

(D)=
(E)=
(F)=

No.	Lev.	Parts No.	Description	Q'ty						I	R
				(A)	(B)	(C)	(D)	(E)	(F)		
34	1	124450-44510	TANK ASSY, SUB	1							
36	2	124450-44530	CAP, SUB TANK	1							
37	2	124450-44560	CLAMP, PIPE	1							
38	2	23061-070230	PIPE, 7X 230	1							
39	1	171420-44500	RADIATOR	1							
40	2	119259-44570	CAP ASSY, RADIATOR	1							
41	1	121470-44540	LABEL, SUB TANK	1							
42	1	124450-44550	BAND, SUB TANK	1							
43	1	129111-44560	PROTECTOR, FAN	1							
44	1	121256-44600	BRACKET, SUB TANK	1							
45	1	171301-49010	HOSE, WATER A	1							
46	1	129211-49020	HOSE, WATER B	1							
47	1	23010-038000	CLAMP, 38	4							

Fig.10. FUEL INJECTION PUMP



(A)=3TNE88-DGCL, V
(B)=
(C)=

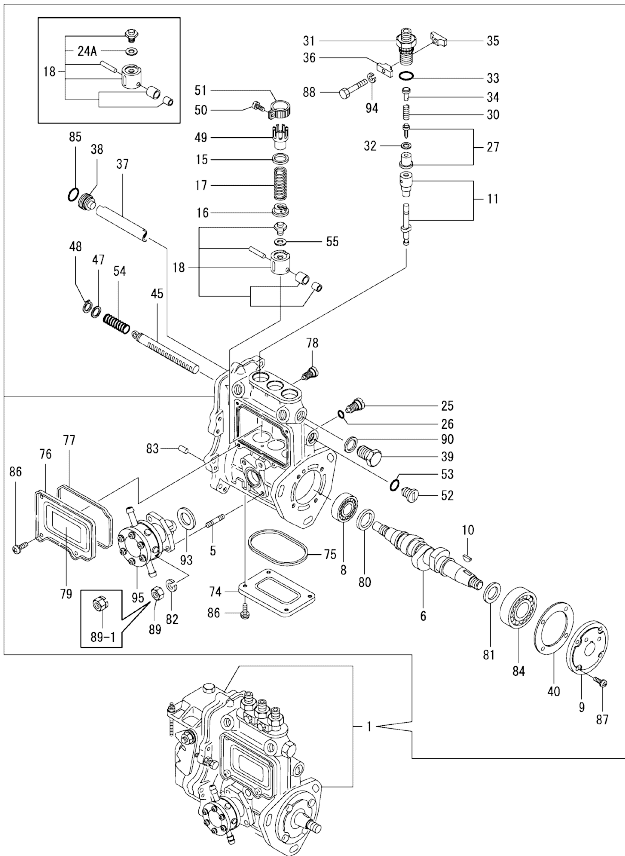
(D)=
(E)=
(F)=

No.	Lev.	Parts No.	Description	Q'ty						I	R
				(A)	(B)	(C)	(D)	(E)	(F)		
1	1	729219-51320	PUMP ASSY, INJECTION	1							1
5	2	129155-51020	STUD	2							
6	2	119810-51040	CAMSHAFT, PUMP	1							
8	2	129155-51050	BEARING, 17BM001D	1							R
8-1	2	129155-51051	BEARING	1							
(A=2002.07)											
9	2	129155-51060	SUPPORT, CAMSHAFT	1							
10	2	122710-51090	KEY, FEATHER	1							
11	2	129506-51100	PLUNGER ASSY	3							
15	2	174307-51170	SEAT, SPRING A	3							R
15-1	2	158600-51170	RETAINER, SPRING	3							
(A=2009.03)											
16	2	129155-51180	SEAT, SPRING	3							
17	2	124950-51190	SPRING, PLUNGER	3							
18	2	129155-51200	TAPPET ASSY, ROLLER	3							
24A	3	129155-51630	SHIM, ADJUST T=1.2	3							W
(A=2007.11)											
25	2	129155-51270	STOPPER, TAPPET	3							R
25-1	2	158600-51270	STOPPER, TAPPET	3							
(A=2009.12)											
26	2	129155-51280	O-RING, S6	3							
27	2	129100-51300	VALVE ASSY, DELIVERY	3							
30	2	129155-51320	SPRING, DELIVERY	3							
31	2	129155-51340	HOLDER, DELIVERY	3							
32	2	124550-51350	GASKET, DELIVERY	3							
33	2	124550-51370	O-RING, DELIVERY	3							
33-1	2	24316-000150	O-RING, 4DP15.0	3							N
(A=E61154)											
34	2	129155-51370	STOPPER, HOLDER	3							
35	2	129155-51380	STOPPER, HOLDER	2							
36	2	129155-51390	STOPPER, HOLDER	2							
37	2	129155-51400	PROTECTOR	1							
38	2	129155-51410	PLUG, SCREW	1							
39	2	129155-51420	PLUG, M16	1							
39-1	2	158600-51420	PLUG, DEFLIFTER M16	1							N
(A=2003.07)											
40	2	129155-51450	SHIM SET, ADJUSTING	1							
45	2	129155-51500	RACK, CONTROL	1							
45-1	2	119717-51500	RACK, CONTROL	1							R
(A=2005.08)											
47	2	129155-51530	SPACER, SPRING	1							
48	2	129155-51540	CIRCLIP, C	1							
49	2	129155-51550	PINION, CONTROL	3							
50	2	122117-51560	SCREW	3							
50-1	2	129100-51570	SCREW, PINION M4	3							N
(A=2001.03)											
51	2	174307-51560	PINION	3							
51-1	2	129100-51560	PINION	3							N
(A=2001.03)											
52	2	129155-51570	PLUG, M12	1							
52-1	2	158600-51570	PLUG, RACK	1							R

Remarks

(1)Governor(Fig.11) is incorporated in this Fuel Injection Pump(No.1).

Fig.10. FUEL INJECTION PUMP



(A)=3TNE88-DGCL, V
(B)=
(C)=

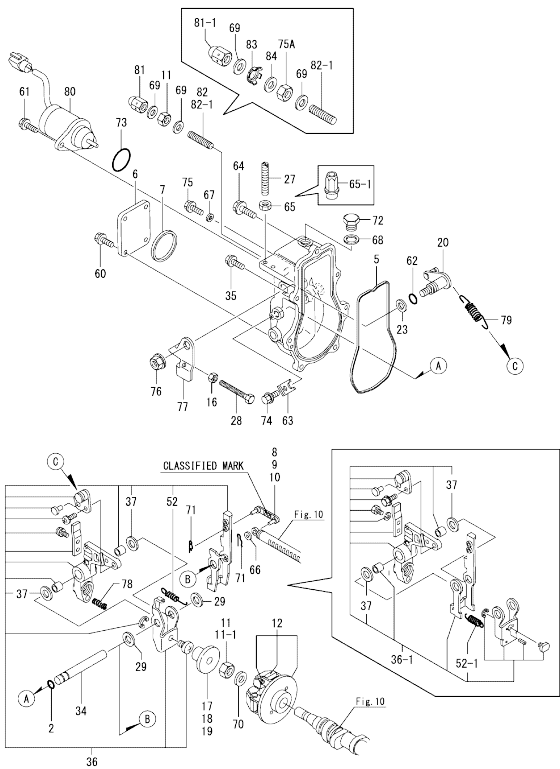
(D)=
(E)=
(F)=

No.	Lev.	Parts No.	Description	Q'ty						I	R
				(A)	(B)	(C)	(D)	(E)	(F)		
		(A=2009.12)									
53	2	129155-51580	O-RING	1							
54	2	129155-51591	SPRING, RACK ASSIST	1							
55	2	129155-51600	SHIM SET, ADJUSTING	3							Z
		(A=2007.11)									
74	2	129155-51700	COVER, BODY	1							
74-1	2	129555-51701	COVER, PUMP BOTTOM	1							N
		(A=2000.01)									
75	2	129155-51710	GASKET	1							
75-1	2	129555-51711	GASKET, PUMP	1							N
		(A=2000.10)									
76	2	129155-51750	COVER	1							
76-1	2	129555-51751	COVER, PUMP SIDE	1							N
		(A=2000.01)									
77	2	129155-51760	GASKET	1							
77-1	2	129555-51761	GASKET, PUMP COVER	1							N
		(A=2003.09)									
78	2	129155-51790	STOPPER, RACK	1							
78-1	2	158600-51790	STOPPER, RACK	1							R
		(A=2009.12)									
79	2	129156-51910	LABEL, FIE CAUTION	1							
80	2	129155-51930	SPACER, T=3.25	1							
81	2	129155-51940	SPACER, T=1.5	1							
82	2	22217-060000	WASHER, SPRING 6	2							Z
		(A=2010.03)									
83	2	22351-050010	PIN, SPRING 5.0X10	2							
84	2	24101-063034	BEARING, BALL 6303	1							
85	2	24341-000160	O-RING, 1AS16.0	1							
85-1	2	119717-51420	O-RING	1							N
		(A=E61154)									
86	2	26022-050102	SCREW, M5X10	8							
86-1	2	26022-050122	SCREW, M5X12	8							N
		(A=2000.01)									
87	2	26022-060162	SCREW, M6X16	4							
87-1	2	119125-51900	BOLT, M6X14	4							R
		(A=2018.03)									
88	2	26116-050302	BOLT, M5X 30 PLATED	2							
89	2	26716-060002	NUT, M6	2							
89-1	2	119717-51860	NUT, M6	2							R
		(A=2010.03)									
90	2	22190-160002	WASHER, SEAL 16	1							
93	2	129155-52050	GASKET	1							
93-1	2	129155-52051	GASKET, PUMP COVER	1							N
		(A=E55907)									
94	2	22217-050000	WASHER, SPRING 5	2							
95	2	129100-52100	PUMP ASSY, FUEL FEED	1							
95-1	2	129100-52101	PUMP ASSY, FUEL FEED	1							N
		(A=E58879)									

Remarks

(1)Governor(Fig.11) is incorporated in this Fuel Injection Pump(No.1).

Fig.11. GOVERNOR



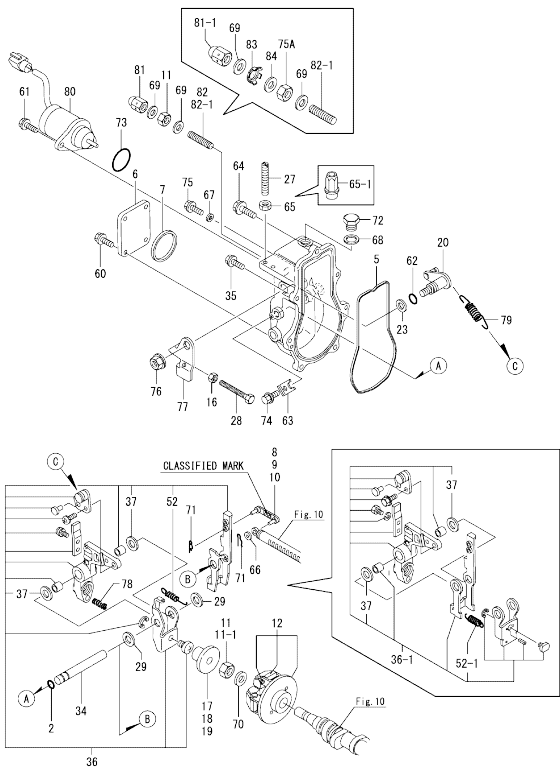
Remarks
 * This figure(Governor) is incorporated in the Fuel Injection Pump(Fig.10).
 (1) Selective parts, mark:0
 (2) Selective parts, mark:1
 (3) Selective parts, mark:05
 (4) Selective parts, Length=25.5mm
 (5) Selective parts, Length=24.9mm
 (6) Selective parts, Length=25.2mm

(A)=3TNE88-DGCL, V
 (B)=
 (C)=

(D)=
 (E)=
 (F)=

No.	Lev.	Parts No.	Description	Q'ty						I	R
				(A)	(B)	(C)	(D)	(E)	(F)		
2	2	129155-61280	O-RING, S6	1							
5	2	129052-61050	GASKET	1							
5-1	2	129052-61051	GASKET, CASE	1							N
6	2	129052-61060	COVER, GOVERNOR CASE	1							
7	2	129052-61070	GASKET	1							
7-1	2	129052-61071	GASKET, CASE COVER	1							N
8	2	129155-61120	LINK, L=30.0 MARK 00	1							1
9	2	129155-61130	LINK, L=31.0 MARK 1	1							2
10	2	129155-61140	LINK, L=30.5 MARK 05	1							3
11	2	26776-120002	NUT, LOCK M12	2							
11-1	2	26776-120002	NUT, LOCK M12	1							K
12	2	171488-61200	WEIGHT ASSY, GOVERNOR	1							
16	2	26756-060002	NUT, LOCK M6	1							
16-1	2	119740-61470	NUT	1							N
17	2	129155-61341	SLEEVE	1							Z 4
18	2	129155-61350	SLEEVE, ADJUST L24.9	1							Z 5
19	2	129155-61360	SLEEVE, ADJUST L25.2	1							6
20	2	129100-61400	SHAFT ASSY, LEVER	1							
23	2	129155-61430	SHIM, SHAFT	1							
27	2	129155-61450	BOLT, LIMITER	1							
28	2	129155-61460	BOLT, IDLE LIMIT	1							
28-1	2	129155-61461	BOLT, IDLE LIMIT	1							N
29	2	129155-61480	SPACER ASSY, LEVER	2							
34	2	129052-61390	SHAFT, GOVERNOR LEVER	1							
35	2	26106-060202	BOLT, M6X 20 PLATED	6							
36	2	129412-61500	LEVER ASSY, GOVERNOR	1							
36-1	2	129486-61501	LEVER ASSY, GOVERNOR	1							R
37	3	174307-51700	SHIM SET, PLUNGER	2							
52	3	119843-61540	SPRING, LEVER	1							
52-1	3	129486-61540	SPRING, LEVER	1							S
60	2	26106-060102	BOLT, M6X 10 PLATED	4							
61	2	26106-060142	BOLT, M6X 14 PLATED	2							
62	2	129155-61830	O-RING, S10	1							
63	2	119660-61901	STOPPER, SHAFT	1							
64	2	129155-61950	BOLT	1							
65	2	124550-66370	NUT, M6	1							
65-1	2	129209-61370	NUT, ARB M6	1							S
66	2	22117-040000	WASHER, 4	1							
67	2	22190-060002	WASHER, SEAL 6	1							
67-1	2	22190-060003	SEAL WASER 6	1							R

Fig.11. GOVERNOR



(A)=3TNE88-DGCL, V
(B)=
(C)=

(D)=
(E)=
(F)=

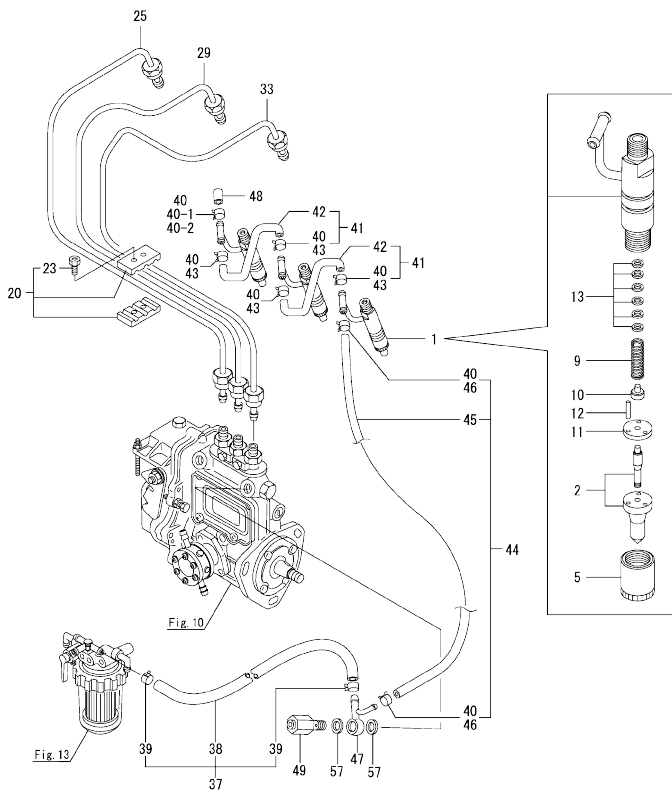
No.	Lev.	Parts No.	Description	Q'ty						I	R
				(A)	(B)	(C)	(D)	(E)	(F)		
68	2	22190-100002	WASHER, SEAL 10	1							
69	2	22190-120002	WASHER, SEAL 12	2							
70	2	22287-120000	WASHER, 12	1							
71	2	22372-040000	PIN, SNAP 4	2							
72	2	23887-100002	PLUG, 10	1							
73	2	24341-000280	O-RING, 1AS28.0	1							
73-1	2	158552-61900	O-RING	1							N
(A=E61154)											
74	2	26106-060102	BOLT, M6X 10 PLATED	1							
75	2	26106-060102	BOLT, M6X 10 PLATED	1							
75A	2	26736-120002	NUT, M12	1							W
(A=2001.09)											
75A-1	2	129209-61920	NUT, ARB	1							R
(A=2007.12)											
76	1	26366-080002	NUT, M8	1							
77	1	129100-61440	LEVER, CONTROL	1							
78	1	129500-61650	SPRING, FUEL CONTROL	1							
79	1	129477-61720	SPRING, GOVERNOR	1							
79-1	1	129176-61730	SPRING, GOVERNOR	1							N
(A=1998.02)											
80	1	119285-77950	SOLENOID	1							
80-1	1	119285-77951	SOLENOID	1							N
(A=1996.11)											
80-2	1	119285-77952	SOLENOID, STOP	1							N
(A=2000.12)											
81	1	129100-61930	NUT	1							
81-1	1	129209-61930	NUT	1							S
(A=2002.08)											
82	1	129155-61470	BOLT, FUEL CONTROL	1							
82-1	1	120323-61470	BOLT, FUEL CONTROL	1							N
(A=2009.01)											
83	1	129209-61970	PLATE	1							W
(A=2002.08)											
84	1	23414-120016	GASKET, 12X1.0	1							W
(A=2002.08)											

Remarks

* This figure(Governor) is incorporated in the Fuel Injection Pump(Fig.10).

- (1) Selective parts, mark:0
- (2) Selective parts, mark:1
- (3) Selective parts, mark:05
- (4) Selective parts, Length=25.5mm
- (5) Selective parts, Length=24.9mm
- (6) Selective parts, Length=25.2mm

Fig.12. FUEL INJECTION VALVE



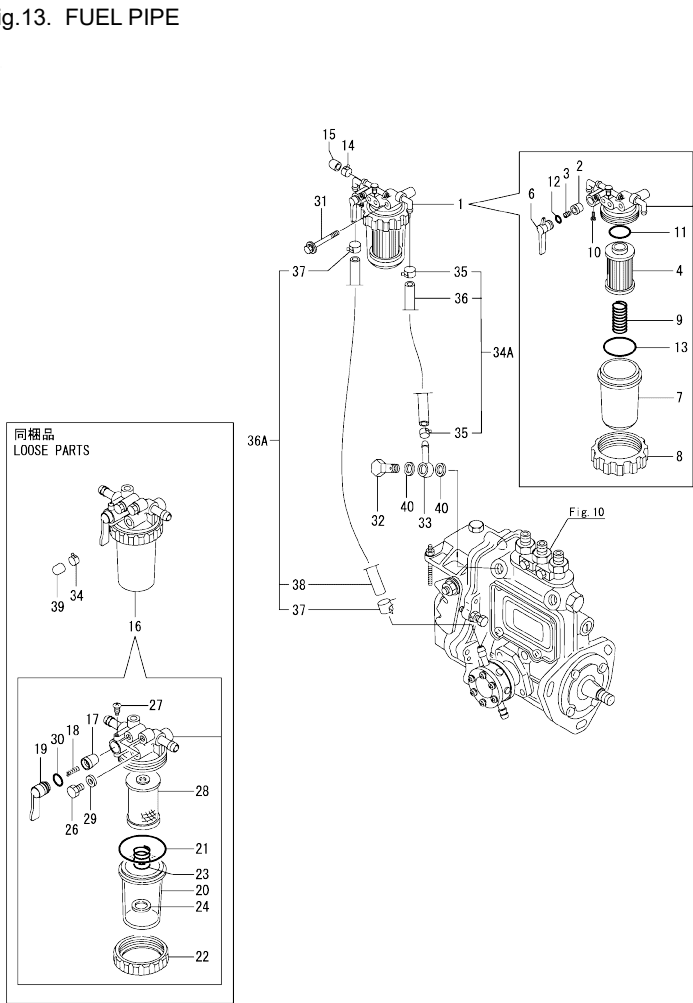
(A)=3TNE88-DGCL, V
(B)=
(C)=

(D)=
(E)=
(F)=

No.	Lev.	Parts No.	Description	Q'ty						I	R
				(A)	(B)	(C)	(D)	(E)	(F)		
1	1	719810-53100	VALVE ASSY,INJECTION	3							
2	2	119810-53000	VALVE ASSY,INJECTION	3							
5	2	114250-53080	NUT, NOZZLE	3							
9	2	114250-53120	SPRING, NOZZLE	3							
10	2	114250-53130	SEAT, SPRING	3							
11	2	114250-53140	SPACER, VALVE STOP	3							
12	2	114250-53210	PIN, POSITIONING	6							
13	2	114250-53400	SHIM SET	3							
13-1	2	119803-53400	SHIM SET	3							R
(A=2007.10)											
20	1	129150-59120	RETAINER, PIPE	1							
23	2	129150-59131	BOLT, M4X14	2							
25	1	129100-59912	PIPE ASSY, INJECTION	1							
29	1	129100-59922	PIPE ASSY, INJECTION	1							
33	1	129100-59932	PIPE ASSY, INJECTION	1							
37	1	129210-59130	HOSE ASSY, FUEL L350	1							W
(A=1998.07)											
38	2	129255-59580	HOSE, FUEL	1							N
38-1	2	105025-59750	HOSE, FUEL	1							N
(A=1997.03)											
39	2	124766-59050	CLAMP, HOSE 11.5	2							
40	1	124066-59100	CLAMP, HOSE 8	7							
40-1	1	124066-59100	CLAMP, HOSE 8	5							K
(A=1999.11)											
40-2	1	124066-59100	CLAMP, HOSE 8	1							K
(A=2016.01)											
41	1	119027-59570	PIPE ASSY, RETURN	2							W
(A=2016.01)											
42	2	121250-59550	HOSE, FUEL D8X120	2							
43	2	124066-59100	CLAMP, HOSE 8	4							W
(A=2016.01)											
44	1	119840-59500	HOSE ASSY, RETURN	1							W
(A=1999.11)											
45	2	119840-59560	HOSE, FUEL RETURN	1							
46	2	124066-59100	CLAMP, HOSE 8	2							W
(A=1999.11)											
47	1	119840-59570	JOINT, OVERFLOW	1							
48	1	129150-59580	CAP, RETURN PIPE	1							
49	1	129100-59951	VALVE ASSY, CHECK	1							
49-1	1	119813-59950	VALVE ASSY, CHECK	1							N
(A=E56560)											
57	1	23414-120000	GASKET, 12X1.0	2							
57-1	1	22190-120002	WASHER, SEAL 12	2							N
(A=1999.07)											

OCD10-M57101 ENGINE
 Fig.13. FUEL PIPE

OCD10-M57101 Fig.13



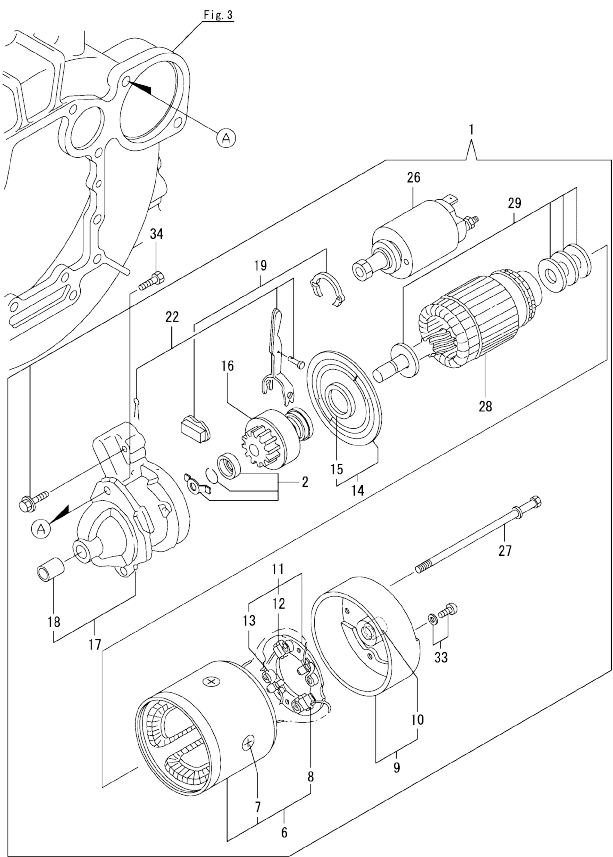
(A)=3TNE88-DGCL, V
 (B)=
 (C)=

(D)=
 (E)=
 (F)=

No.	Lev.	Parts No.	Description	Qty						I	R
				(A)	(B)	(C)	(D)	(E)	(F)		
1	1	129100-55621	FILTER ASSY, FUEL	1							
2	2	104200-55321	VALVE, TAPER	1							
3	2	104200-55330	SPRING, FUEL VALVE	1							
4	2	129100-55650	ELEMENT, FUEL FILTER	1							
6	2	129100-55670	LEVER, FUEL	1							
7	2	129100-55680	CUP, STRAINER	1							
8	2	129100-55690	NUT, RETAINING	1							
9	2	129100-55700	SPRING	1							
10	2	104200-55750	SCREW, M4	1							
11	2	24311-000160	O-RING, 1AP16.0	1							
12	2	24311-240100	O-RING, 1AP10A	1							
13	2	24321-000650	O-RING, 1AG65.0	1							
14	1	124066-59100	CLAMP, HOSE 8	1							
15	1	129150-59580	CAP, RETURN PIPE	1							
16	1	121257-55700	SEPARATOR ASSY, WATER	1							
17	2	104200-55321	VALVE, TAPER	1							
18	2	104200-55330	SPRING, FUEL VALVE	1							
19	2	104200-55341	HANDLE, COCK	1							
20	2	121254-55510	CUP, FUEL STRAINER	1							
21	2	102103-55520	O-RING, FILTER	1							
22	2	110250-55610	RING, CUP RETAINING	1							
23	2	121257-55720	SPRING, ELEMENT	1							
24	2	121257-55731	FLOAT	1							
26	2	101720-55750	PLUG, HEXAGON M6	2							
27	2	104200-55750	SCREW, M4	1							
28	2	171081-55910	FILTER, FUEL 100M	1							
29	2	23418-060000	GASKET, 6X1.0	2							
30	2	24311-240100	O-RING, 1AP10A	1							
31	1	26014-080702	BOLT, M8X 70	1							
32	1	103854-39140	BOLT, PIPE JOINT	1							
33	1	101304-59020	JOINT, PIPE 12	1							
34	1	124766-59050	CLAMP, HOSE 11.5	1							
34A	1	129210-59030	HOSE ASSY, FUEL L150	1							W
(A=1998.07)											
35	2	124766-59050	CLAMP, HOSE 11.5	2							
36	2	129555-59510	HOSE, D13/7.5X180	1							
36-1	2	129150-59511	HOSE, FUEL	1							N
(A=1991.03)											
36A	1	129210-59130	HOSE ASSY, FUEL L350	1							W
(A=1998.07)											
37	2	124766-59050	CLAMP, HOSE 11.5	2							
38	2	129255-59580	HOSE, FUEL	1							
38-1	2	105025-59750	HOSE, FUEL	1							N
(A=1991.03)											
39	1	129461-59580	CAP, FUEL	1							
40	1	22190-120002	WASHER, SEAL 12	2							

N:Old $\frac{100}{100}$ New, Q:Old $\frac{100}{100}$ New, R:Old $\frac{100}{100}$ New, S:Old $\frac{100}{100}$ New, W:Add, Z:Discontinued, F:Interchangeable by set, K:Qty Change
 Copyright (C) 2020 YANMAR GLOBAL CS CO., LTD. All Rights Reserved.

Fig.14. STARTER MOTOR(PREVIOUS)



(A)=3TNE88-DGCL, V
(B)=
(C)=

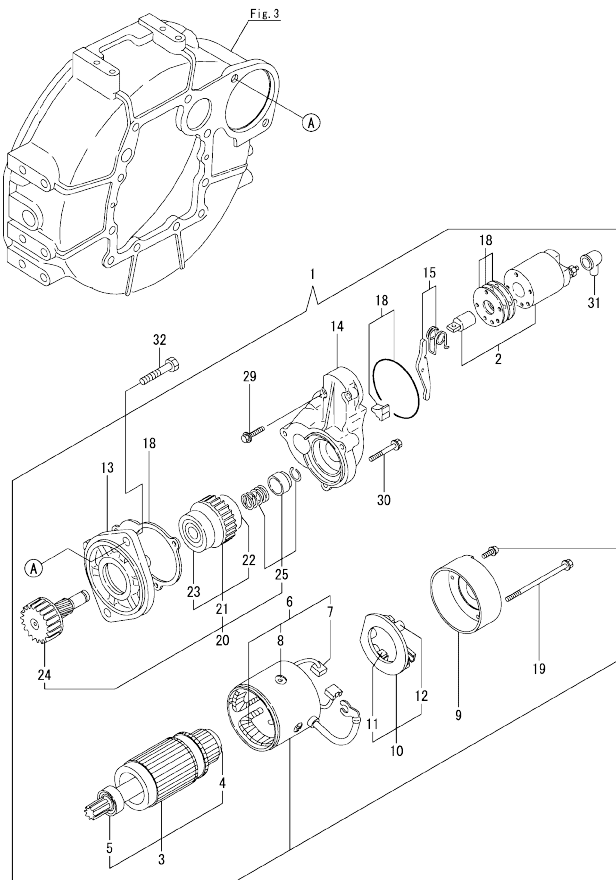
(D)=
(E)=
(F)=

No.	Lev.	Parts No.	Description	Q'ty						I	R
				(A)	(B)	(C)	(D)	(E)	(F)		
1	1	124250-77012	STARTER, S12-77A	1							
2	2	124250-77070	STOPPER SET, PINION	1							
6	2	124250-77110	COIL ASSY, FIELD	1							
7	3	124250-77120	SCREW SET, PORE CORE	4							
8	3	124250-77130	BRUSH, +	2							
9	2	124250-77140	COVER ASSY, REAR	1							
10	3	124250-77150	METAL, REAR COVER	1							
11	2	124250-77160	HOLDER ASSY, BRUSH	1							
12	3	124250-77170	BRUSH, -	2							
13	3	124250-77180	SPRING, BRUSH	4							
14	2	124250-77190	BEARING ASSY, CENTER	1							
15	3	124250-77520	METAL, MAIN CENTER	1							
16	2	124250-77210	PINION ASSY	1							
16-1	2	121254-77660	PINION ASSY	1							R
(A=1998.10)											
17	2	124250-77220	CASE ASSY, GEAR	1							
18	3	124250-77230	METAL, GEAR CASE	1							
19	2	124250-77240	COVER SET, DUST	1							
22	2	124250-77270	LEVER SET, SHIFT	1							
26	2	124250-77310	SWITCH ASSY, MAGNET	1							
27	2	124250-77320	BOLT, THROUGH	2							
28	2	124250-77500	ARMATURE ASSY	1							
29	2	124250-77510	WASHER KIT	1							
33	2	26557-040122	SCREW, M4X12	2							
34	1	26116-120252	BOLT, M12X 25 PLATED	2							

Fig.18. (14A)STARTER MOTOR(NEW)

(A)=3TNE88-DGCL, V
(B)=
(C)=

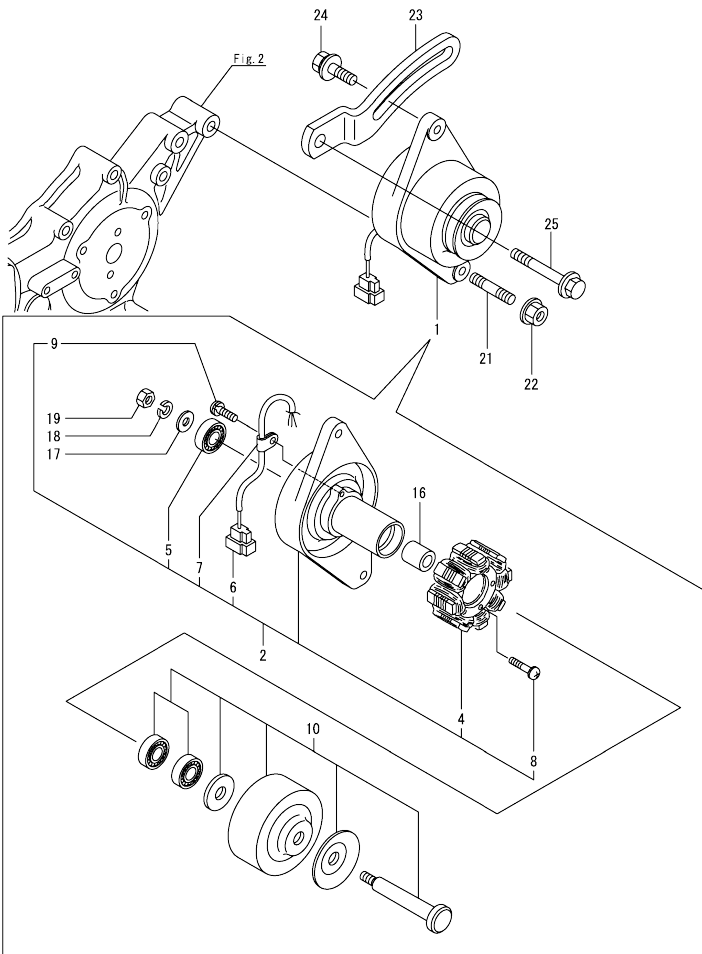
(D)=
(E)=
(F)=



No.	Lev.	Parts No.	Description	Qty						I	R	
				(A)	(B)	(C)	(D)	(E)	(F)			
1	1	129136-77011	STARTER	1								
2	2	129136-77310	SWITCH ASSY, MAGNET	1								
3	2	129900-77400	ARMATURE ASSY	1								
4	3	X2130350900	BEARING, BALL	1								
5	3	X2114255110	BEARING, BALL	1								
6	2	129900-77440	COIL ASSY, FIELD	1								
7	3	129900-77450	BRUSH, +	2								
8	3	171008-77450	SCREW, CORE SET	4								
9	2	129900-77460	COVER, REAR	1								
10	2	129900-77480	HOLDER ASSY, BRUSH	1								
11	3	129900-77500	BRUSH	2								
12	3	129400-77490	SPRING, BRUSH	4								
13	2	171008-77510	CASE, GEAR	1								
14	2	129136-77520	HOUSING, STARTOR	1								
15	2	171008-77540	LEVER SET, SHIFT	1								
18	2	129400-77571	COVER KIT, DUST	1								
19	2	129900-77640	BOLT, THROUGH	2								
20	2	171008-77650	PINION ASSY,W/CLUTCH	1								
21	3	X2114555500	CLUTCH ASSY	1								
22	4	X2114955020	BEARING, BALL	1								
23	4	X2240410100	BEARING, BALL	1								
24	3	171008-77660	SHAFT, PINION	1								
25	3	171008-77670	STOPPER SET, PINION	1								
29	2	26106-060322	BOLT, M6X 32 PLATED	2								
30	2	26106-060402	BOLT, M6X 40 PLATED	3								
31	2	171008-77750	COVER, TERMINAL	1								
32	1	26116-120252	BOLT, M12X 25 PLATED	2								
32-1	1	26106-120252	BOLT, M12X 25 PLATED	2								R

(A=2010.12)

Fig.15. GENERATOR



(A)=3TNE88-DGCL, V
(B)=
(C)=

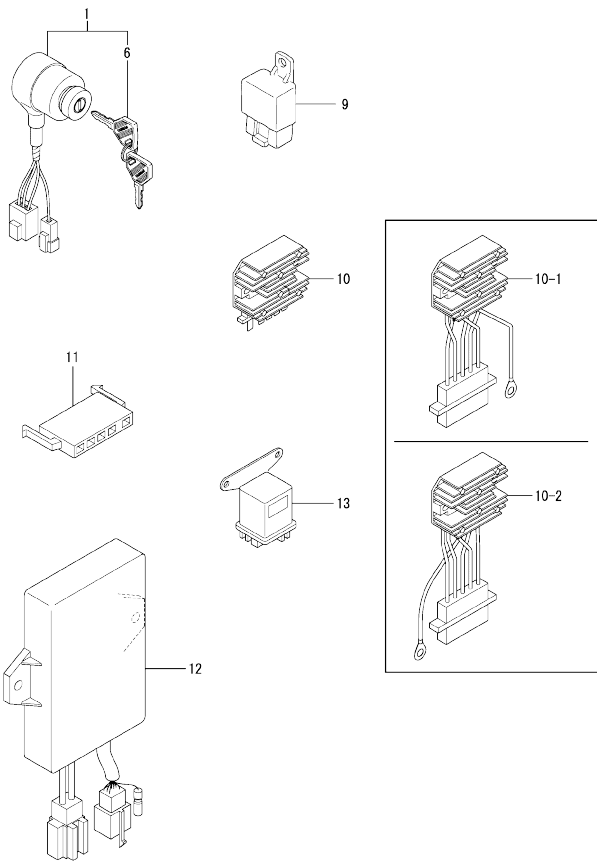
(D)=
(E)=
(F)=

No.	Lev.	Parts No.	Description	Q'ty						I	R
				(A)	(B)	(C)	(D)	(E)	(F)		
1	1	171301-77201	DYNAMO ASSY, 15A	1							
2	2	XM08137	PLATE ASSY	1							
4	3	XM08180	STATOR SET	1							
5	3	XM27436	BEARING, BALL	1							
6	3	XM17878	COUPLER	1							
7	3	XM36410	CLAMP	1							
8	3	26022-040252	SCREW, M4X25	2							
9	3	XYSPS4008	SCREW	1							
10	2	XM82184	FLYWHEEL ASSY	1							
16	2	106383-44720	SPACER	1							
17	2	106383-44730	WASHER	1							
18	2	22212-100000	SPRING WASHER 10	1							
19	2	26716-100002	NUT, M10	1							
21	1	129795-01900	BOLT, M10X33	1							
22	1	26366-100002	NUT, M10	1							
22-1	1	26306-100002	NUT, M10	1							R
		(A=2001.06)									
23	1	129619-77330	ADJUSTER, BELT	1							
24	1	26014-080252	BOLT, M8X 25	1							
24-1	1	119810-77340	BOLT, ADJUSTER L=30	1							N
		(A=1998.02)									
25	1	26106-080502	BOLT, M8X 50 PLATED	1							

Fig.16. ELECTRIC PARTS

(A)=3TNE88-DGCL, V
(B)=
(C)=

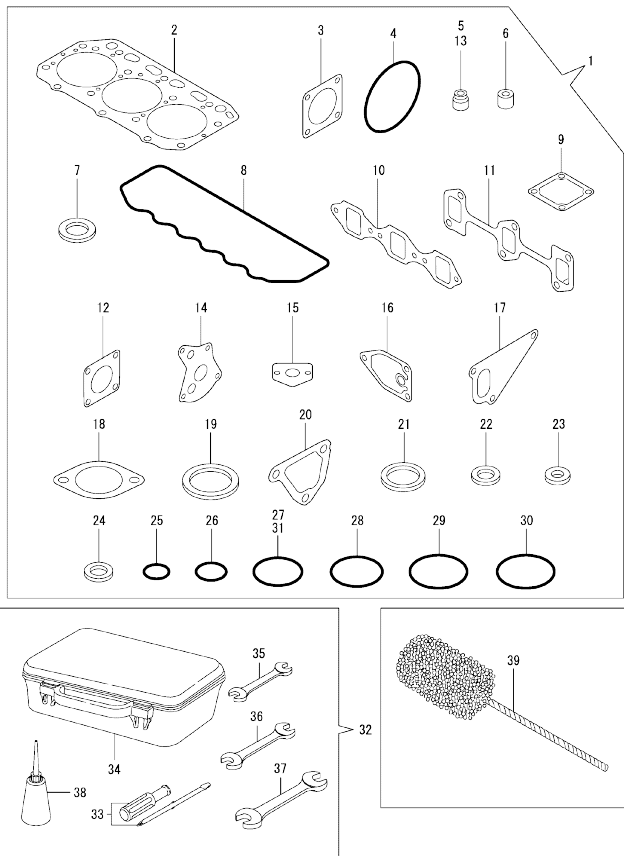
(D)=
(E)=
(F)=



No.	Lev.	Parts No.	Description	Q'ty						I	R
				(A)	(B)	(C)	(D)	(E)	(F)		
1	1	194940-52110	SWITCH, STARTING	1							
1-1	1	194940-52111 (A=7*2019.10)	SWITCH ASSY, STARTER	1							N
1-2	1	129902-77500 (A=2019.12)	SWITCH ASSY, STARTER	1							N
6	2	198360-52160	KEY ASSY, SPARE	1							
9	1	119247-77100	RELAY, POWER SN2213	1							
10	1	119660-77710	CURRENT LIMITER, 15A	1							
10-1	1	119660-77711	CURRENT LIMITER, 15A	1							N
10-2	1	119660-77712 (A=E23558) (A=2009.04)	LIMITER, CURRENT 15A	1							N
11	1	171301-77720	COUPLER	1							
12	1	119265-77801	RELAY, EMERGENCY	1							
13	1	119650-77910	RELAY ASSY, GLOW	1							
13-1	1	119650-77911 (A=2010.12)	RELAY ASSY, GLOW	1							N

OCD10-M57101 ENGINE
 Fig.17. GASKET SET

OCD10-M57101 Fig.17



(A)=3TNE88-DGCL, V
 (B)=
 (C)=

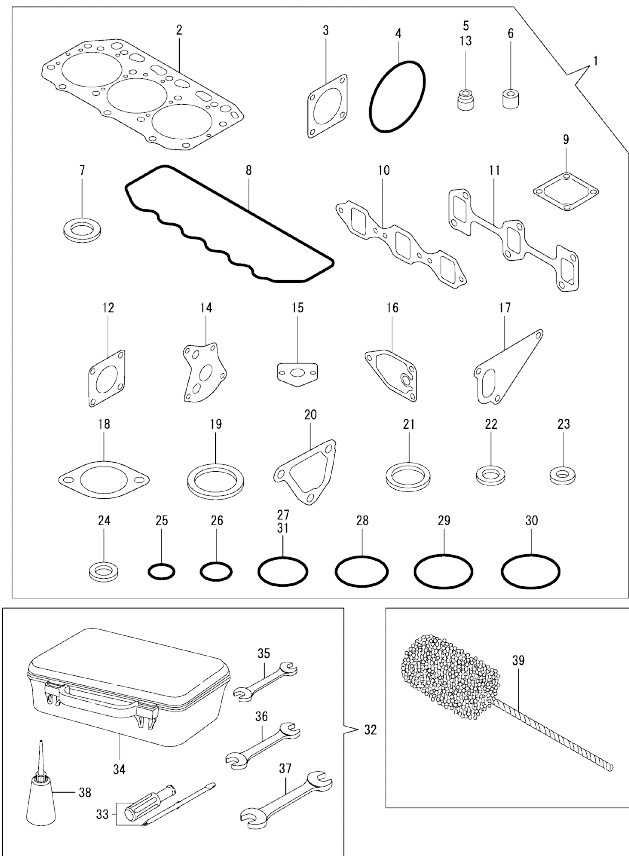
(D)=
 (E)=
 (F)=

No.	Lev.	Parts No.	Description	Q'ty						I	R
				(A)	(B)	(C)	(D)	(E)	(F)		
1	1	729001-92610	GASKET SET	1							1
2	2	129001-01340	GASKET, HEAD	1							
3	2	124240-01883	GASKET, PUMP	1							
4	2	121850-51960	O-RING, FUEL PUMP	1							
5	2	124460-11340	SEAL, VALVE STEM	3							
6	2	119625-11871	PROTECTOR, NOZZLE	3							
6-1	2	119625-11870	PROTECTOR, NOZZLE	3							N
(A=*1997.08)											
7	2	119625-11880	SEAT, NOZZLE	3							
8	2	129150-11310	GASKET, BONNET	1							
9	2	129150-77511	GASKET, AIR HEATER	1							
10	2	129150-12111	GASKET, MANIFOLD	1							
11	2	129150-13110	GASKET, MANIFOLD	1							
12	2	124701-11911	GASKET, SILENCER	1							
13	2	121400-11340	SEAL, VALVE STEM	3							
14	2	129150-32020	GASKET, PUMP	1							
15	2	129150-35041	GASKET	1							
15-1	2	129150-35042	GASKET, INLET PIPE	1							N
(A=*E58233)											
16	2	129150-35111	GASKET, BRACKET	1							
17	2	129100-42020	GASKET, WATER PUMP	1							
17-1	2	129486-42021	GASKET, WATER PUMP	1							N
(A=*1999.08)											
18	2	129795-49551	GASKET, COVER	1							
19	2	129150-49811	GASKET, THERMOSTAT	1							
20	2	129100-49840	GASKET	1							
20-1	2	124395-49840	GASKET, THERMOSTAT	1							N
(A=*2000.03)											
21	2	129155-52050	GASKET	1							
21-1	2	129155-52051	GASKET, PUMP COVER	1							N
(A=*E55907)											
22	2	23414-100000	GASKET, 10X1.0	2							
22-1	2	22190-100002	WASHER, SEAL 10	2							N
(A=*1999.11)											
23	2	124465-44950	GASKET, 16	2							
24	2	23414-120000	GASKET, 12X1.0	2							
24-1	2	22190-120002	WASHER, SEAL 12	2							N
(A=*1999.07)											
25	2	24311-000120	O-RING, 1AP12.0	3							
26	2	24311-000160	O-RING, 1AP16.0	3							
26-1	2	24311-000160	O-RING, 1AP16.0	1							K
(A=*2001.11)											
26A	2	119609-32040	O-RING, P16	2							W
(A=*2001.11)											
27	2	24311-000320	O-RING, 1AP32.0	2							
28	2	24341-000240	O-RING, 1AS24.0	1							
29	2	24341-000500	O-RING, 1AS50.0	1							
30	2	24321-000650	O-RING, 1AG65.0	1							
31	2	24321-000300	O-RING, 1AG30.0	1							
31-1	2	129486-42140	O-RING, G30	1							N
(A=*1999.06)											

Remarks
 (1)Optional parts.

N:Old $\frac{New}{Old}$ New, Q:Old $\frac{New}{Old}$ New, R:Old $\frac{New}{Old}$ New, S:Old $\frac{New}{Old}$ New, W:Add, Z:Discontinued, F:Interchangeable by set, K:Q'ty Change
 ++ CONTINUE ++
 Copyright (C) 2020 YANMAR GLOBAL CS CO., LTD. All Rights Reserved.

Fig.17. GASKET SET



(A)=3TNE88-DGCL, V
(B)=
(C)=

(D)=
(E)=
(F)=

No.	Lev.	Parts No.	Description	Q'ty						I	R
				(A)	(B)	(C)	(D)	(E)	(F)		
32	1	171001-93100	BOX, TOOL	1							
33	2	104200-92350	DRIVER, SCREW	1							
34	2	104200-92600	BOX, SPARE PARTS	1							
35	2	28110-100120	SPANNER, 10X12	1							
36	2	28110-140170	SPANNER, 14X17	1							
37	2	28110-190220	SPANNER, 19X22	1							
38	2	28210-000140	OILER	1							
39	1	129400-92420	HONE, FLEX	1							1

Remarks

(1)Optional parts.

Parts No. Index

Parts No.	Fig. No.	Ref. No.
101304-59020	13	33
101720-55750	13	26
102103-55520	13	21
103854-39140	13	32
104200-55321	13	2
		17
104200-55330	13	3
		18
104200-55341	13	19
104200-55750	13	10
		27
104200-92350	17	33
104200-92600	17	34
104407-44480	5	4
105025-59750	12	38 -1
		13
		38 -1
106383-44720	15	16
106383-44730	15	17
110250-55610	13	22
114250-39450	8	36 -1
114250-53080	12	5
114250-53120	12	9
114250-53130	12	10
114250-53140	12	11
114250-53210	12	12
114250-53400	12	13
119027-59570	12	41
119125-51900	10	87 -1
119131-18320	5	14 -1
119247-77100	16	9
119259-44570	9	40
119265-77801	16	12
119285-77950	11	80
119285-77951	11	80 -1
119285-77952	11	80 -2
119609-32040	2	13 -1
		17
		26 A
119620-01750	3	3
119625-11870	4	21 -1
		17
		6 -1
119625-11871	4	21
		17
		6
119625-11880	4	22
		17
		7
119625-11900	4	23
119640-01640	3	9 -1
119650-77910	16	13
119650-77911	16	13 -1
119660-61901	11	63
119660-77710	16	10

Parts No.	Fig. No.	Ref. No.
119660-77711	16	10 -1
119660-77712	16	10 -2
119717-51420	10	85 -1
119717-51500	10	45 -1
119717-51860	10	89 -1
119740-61470	11	16 -1
119802-11280	4	37 -1
119803-53400	12	13 -1
119810-51040	10	6
119810-53000	12	2
119810-77340	15	24 -1
119813-59950	12	49 -1
119831-42290	9	19 -1
119840-59500	12	44
119840-59560	12	45
119840-59570	12	47
119843-61540	11	52
120130-11860	4	8
120323-61470	11	82 -1
121023-01550	2	25
121023-01551	2	25 -1
121111-21501	7	11
121250-44901	9	33
121250-59550	12	42
121254-55510	13	20
121254-77660	14	16 -1
121256-44600	9	44
121257-55700	13	16
121257-55720	13	23
121257-55731	13	24
121267-44760	9	22 -1
121400-11340	4	18
		17
		13
121450-01560	2	6
121450-42450	9	30
121470-44540	9	41
121520-34810	8	17
121550-23200	7	26
121550-49111	9	29
121850-21680	7	10
121850-51960	2	12
		17
		4
122117-51560	10	50
122710-51090	10	10
123900-13610	5	13 -1
124066-59100	12	40
		40 -1
		40 -2
		43
		46

Parts No.	Fig. No.	Ref. No.
124066-59100	13	14
124160-01751	2	7
		4
		56
124160-01910	1	4
124160-11360	4	50
124160-39140	8	28
124160-39450	8	36
124240-01871	2	8
124240-01883	2	9
		17
		3
124250-77012	14	1
124250-77070	14	2
124250-77110	14	6
124250-77120	14	7
124250-77130	14	8
124250-77140	14	9
124250-77150	14	10
124250-77160	14	11
124250-77170	14	12
124250-77180	14	13
124250-77190	14	14
124250-77210	14	16
124250-77220	14	17
124250-77230	14	18
124250-77240	14	19
124250-77270	14	22
124250-77310	14	26
124250-77320	14	27
124250-77500	14	28
124250-77510	14	29
124250-77520	14	15
124395-49840	9	15 -1
		17
		20 -1
124450-44510	9	34
124450-44530	9	36
124450-44550	9	42
124450-44560	9	37
124460-11340	4	19
		17
		5
124465-44950	9	31
		32
		17
		23
124550-21600	7	14
124550-51350	10	32
124550-51370	10	33
124550-59820	8	33
124550-59830	8	32 A
124550-66370	11	65
124574-44761	9	22
124701-11911	5	15

Parts No.	Fig. No.	Ref. No.
124701-11911	17	12
124736-07900	4	2
124766-59050	12	39
		13
		34
		35
		37
124950-51190	10	17
129001-01250	1	7 -1
129001-01340	1	21
		17
		2
129001-02931	1	15 D
129001-11700	4	4
129001-21000	7	1
129001-21100	7	1 -1
129001-22081	7	15
129001-22500	7	17
129001-22901	7	29
129001-22950	7	31
129001-32001	8	1
129001-32002	8	1 -1
129001-35300	8	24
129001-42001	9	2
129001-42002	9	2 -1
129001-42003	9	2 -2
129001-42004	9	2 -3
129001-42005	9	2 -4
129001-42040	9	16
129052-61050	11	5
129052-61051	11	5 -1
129052-61060	11	6
129052-61070	11	7
129052-61071	11	7 -1
129052-61390	11	34
129100-01580	3	1
		15
		2
129100-01640	3	16
129100-01730	3	6
129100-01760	3	8
129100-11100	4	13
129100-11110	4	14
129100-11111	4	14 -1
129100-11112	4	14 -2
129100-11240	4	26
129100-11350	4	40
129100-11351	4	40 -1
129100-11650	4	33
129100-23910	7	37
129100-25061	6	9
129100-35301	8	19

Parts No. Index

Parts No.	Fig. No.	Ref. No.
129100-42020	9	13
	17	17
129100-49840	9	15
	17	20
129100-51300	10	27
129100-51560	10	51 -1
129100-51570	10	50 -1
129100-52100	10	95
129100-52101	10	95 -1
129100-55621	13	1
129100-55650	13	4
129100-55670	13	6
129100-55680	13	7
129100-55690	13	8
129100-55700	13	9
129100-59912	12	25
129100-59922	12	29
129100-59932	12	33
129100-59951	12	49
129100-61400	11	20
129100-61440	11	77
129100-61930	11	81
129111-44560	9	43
129115-12100	5	2
129115-12110	5	3
129116-21590	7	12
129116-21650	7	8
129120-77501	5	6
129120-77502	5	6 -1
129129-14580	6	3
129136-34800	8	16
129136-77011	18	1
129136-77310	18	2
129136-77520	18	14
129150-01200	1	20
129150-02020	1	10
129150-02450	6	4
129150-02870	1	22
129150-02871	1	22 -1
129150-02930	1	16
129150-02931	1	16 -1
129150-02940	1	25
129150-02941	1	25 -1
129150-03020	4	42
129150-03070	4	43
129150-03080	4	44
129150-03100	2	11
129150-11230	4	34
129150-11280	4	29
129150-11290	4	30

Parts No.	Fig. No.	Ref. No.
129150-11310	4	46
	17	8
129150-11370	4	20
129150-11750	4	36
129150-11810	4	10
129150-12111	5	1
	17	10
129150-13110	5	10
	17	11
129150-14101	6	6
129150-14200	6	1
129150-14400	6	2
129150-21200	7	4
129150-23600	7	27
129150-23601	7	27 -1
129150-23610	7	35
129150-23611	7	35 -1
129150-25101	6	10
129150-25900	6	15
129150-25920	6	13
129150-32020	8	14
	17	14
129150-35041	8	18
	17	15
129150-35042	8	18 -1
	17	15 -1
129150-35101	8	21
129150-35111	8	22
	17	16
129150-35153	8	23 A
129150-35350	8	25
129150-39450	8	29
129150-49811	9	27
	17	19
129150-59120	12	20
129150-59131	12	23
129150-59511	13	36 -1
129150-59580	12	48
	13	15
129150-77511	5	7
	17	9
129155-11260	4	27
129155-11270	4	28
129155-42350	9	20
129155-49800	9	26
129155-49801	9	26 -1
129155-51020	10	5
129155-51050	10	8
129155-51051	10	8 -1
129155-51060	10	9

Parts No.	Fig. No.	Ref. No.
129155-51180	10	16
129155-51200	10	18
129155-51270	10	25
129155-51280	10	26
	11	2
129155-51320	10	30
129155-51340	10	31
129155-51370	10	34
129155-51380	10	35
129155-51390	10	36
129155-51400	10	37
129155-51410	10	38
129155-51420	10	39
129155-51450	10	40
129155-51500	10	45
129155-51530	10	47
129155-51540	10	48
129155-51550	10	49
129155-51570	10	52
129155-51580	10	53
129155-51591	10	54
129155-51600	10	55
129155-51630	10	24 A
129155-51700	10	74
129155-51710	10	75
129155-51750	10	76
129155-51760	10	77
129155-51790	10	78
129155-51930	10	80
129155-51940	10	81
129155-52050	10	93
	17	21
129155-52051	10	93 -1
	17	21 -1
129155-61120	11	8
129155-61130	11	9
129155-61140	11	10
129155-61341	11	17
129155-61350	11	18
129155-61360	11	19
129155-61430	11	23
129155-61450	11	27
129155-61460	11	28
129155-61461	11	28 -1
129155-61470	11	82
129155-61480	11	29
129155-61830	11	62
129155-61950	11	64
129156-51910	10	79
129176-61730	11	79 -1

Parts No.	Fig. No.	Ref. No.
129202-22300	7	21
129209-61370	11	65 -1
129209-61920	11	75 A-1
129209-61930	11	81 -1
129209-61970	11	83
129210-59030	13	34 A
129210-59130	12	37
	13	36 A
129211-49020	9	46
129255-59580	12	38
	13	38
129350-49560	9	24
129400-01520	2	5
129400-77490	18	12
129400-77571	18	18
129400-92420	17	39
129410-03100	4	1
129410-03990	4	52
129412-61500	11	36
129461-59580	13	39
129477-61720	11	79
129486-01670	3	19 -1
129486-42021	9	13 -1
	17	17 -1
129486-42140	9	17 -1
	17	31 -1
129486-61501	11	36 -1
129486-61540	11	52 -1
129500-61650	11	78
129500-61100	10	11
129555-51701	10	74 -1
129555-51711	10	75 -1
129555-51751	10	76 -1
129555-51761	10	77 -1
129555-59510	13	36
129604-07900	4	2 -1
129619-77330	15	23
129795-01780	3	18
129795-01800	2	4
129795-01900	15	21
129795-01950	2	10
129795-02411	1	19
129795-02412	1	19 -1
129795-11120	4	15
129795-11180	4	16
129795-21661	7	9
129795-49551	9	25
	17	18
129900-07900	4	2 -2
129900-77400	18	3

Parts No. Index

Parts No.	Fig. No.	Ref. No.	Parts No.	Fig. No.	Ref. No.	Parts No.	Fig. No.	Ref. No.	Parts No.	Fig. No.	Ref. No.
129900-77440	18	6	22190-100002	11	68	24321-000300	9	17	26106-080452	3	14
129900-77450	18	7		17	22 -1		17	31		6	14
129900-77460	18	9	22190-120002	11	69	24321-000650	13	13	26106-080502	3	21
129900-77480	18	10		12	57 -1		17	30		4	39
129900-77500	18	11		13	40	24341-000160	10	85		15	25
129900-77640	18	19		17	24 -1	24341-000240	2	26	26106-080552	2	20
129902-77500	16	1 -2	22190-160002	10	90		17	28	26106-080602	9	14
129E00-13640	5	12 -1	22190-220002	3	11 -1	24341-000250	3	11	26106-080802	5	12
158552-61900	11	73 -1	22212-100000	15	18	24341-000280	11	73	26106-080852	2	21
158600-51170	10	15 -1	22217-050000	10	94	24341-000500	4	48	26106-120252	18	32 -1
158600-51270	10	25 -1	22217-060000	10	82		17	29	26116-050302	10	88
158600-51420	10	39 -1	22217-120000	6	16	25132-003800	9	19	26116-120252	14	34
158600-51570	10	52 -1	22252-000260	7	22	26014-060252	9	23		18	32
158600-51790	10	78 -1	22287-120000	11	70	26014-060352	9	23 -1	26206-100252	3	4
171001-93100	17	32	22351-040010	7	7	26014-080252	15	24	26206-100302	3	5
171008-77450	18	8	22351-050010	10	83	26014-080702	13	31	26216-060202	4	11
171008-77510	18	13	22351-060012	4	24	26022-040252	15	8	26216-080222	5	14
171008-77540	18	15	22372-040000	11	71	26022-050102	10	86	26216-080802	5	13
171008-77650	18	20	22512-070140	6	7	26022-050122	10	86 -1	26226-080182	4	37
171008-77660	18	24		7	5	26022-060162	10	87	26306-080002	2	22 -1
171008-77670	18	25	23010-038000	9	47	26106-060102	11	60		5	11 -2
171008-77750	18	31	23061-070230	9	38		74	74	26306-100002	15	22 -1
171037-44740	9	21 -1	23414-100000	8	35		75	75	26366-060002	4	25
171051-01921	1	5		17	22	26106-060122	2	27	26366-080002	2	22
171081-55910	13	28	23414-120000	12	57	26106-060142	11	61		5	11 -1
171301-01640	3	9		17	24	26106-060162	2	27 -1		11	76
171301-49010	9	45	23414-120016	11	84	26106-060202	11	35	26366-100002	15	22
171301-77201	15	1	23418-060000	13	29	26106-060322	18	29	26450-060252	8	15
171301-77720	16	11	23871-010000	1	6	26106-060402	18	30	26557-040122	14	33
171340-44740	9	21	23871-030000	9	12	26106-080122	2	15	26716-060002	10	89
171350-13100	5	9	23875-020000	9	12 A-1	26106-080142	4	3	26716-100002	15	19
171420-01600	3	2	23876-010000	1	6 -1		6	8 -1	26716-120002	6	17
171420-44500	9	39		9	10	26106-080162	2	16	26736-120002	11	75 A
171488-61200	11	12	23876-020000	9	12 A		17	17	26756-060002	11	16
174307-51170	10	15	23887-100002	11	72		3	12	26776-120002	11	11
174307-51560	10	51	24101-063034	10	84		4	3 -1		11	-1
174307-51700	11	37	24107-060034	7	14 A		49	49	27231-500000	1	7
194940-52110	16	1	24311-000120	4	51		6	8	27241-120000	1	8
194940-52111	16	1 -1		17	25		9	18	27241-300000	1	9
194990-22050	5	11	24311-000160	2	13	26106-080202	2	18	27241-400000	4	12
198360-52160	16	6		8	26		8	27	27310-080001	4	17
22117-040000	11	66		13	11		9	28	28110-100120	17	35
22190-060002	11	67		17	26	26106-080252	3	13	28110-140170	17	36
22190-060003	11	67 -1			26 -1		4	38	28110-190220	17	37
22190-080002	2	23	24311-000320	2	14		5	5	28210-000140	17	38
		24		4	57	26106-080302	3	19	719810-01500	2	1
		8		17	27	26106-080352	3	20	719810-53100	12	1
		34 -1	24311-240100	13	12		5	8	729001-01560	1	1
		34 A			30		8	20	729001-92610	17	1
22190-100002	8	35 -1	24316-000150	10	33 -1		2	19	729132-11521	4	40 -2

Parts No. Index

Parts No.	Fig. No.	Ref. No.
729219-51320	10	1
729402-23100	7	23
X2114255110	18	5
X211455500	18	21
X2114955020	18	22
X2130350900	18	4
X2240410100	18	23
XM08137	15	2
XM08180	15	4
XM17878	15	6
XM27436	15	5
XM36410	15	7
XM82184	15	10
XYSPS4008	15	9

Parts No.	Fig. No.	Ref. No.
-----------	----------	----------

Parts No.	Fig. No.	Ref. No.
-----------	----------	----------

Parts No.	Fig. No.	Ref. No.
-----------	----------	----------