

0CV10-M46400EN

P R E F A C E

1. This Parts Catalog carries all parts incorporated in YANMAR Model 3TNE88-NSR engine manufactured since March, 1995.
2. Each illustration corresponds to the parts list on the following page.
3. When ordering parts, clearly write down the engine model and serial number, as well as the name and number of each part in your order sheet. This will help insure reliable delivery of the parts you have ordered.

Directions for the Parts Catalog.

1. This Parts Catalog shows both standard and optional parts.
2. Parts may change without prior notice.
3. The following is an example of the Parts Catalog format.

REF.	LEV.	PARTS NO.	DESCRIPTION	Q'TY						I	R
				(A)	(B)	(C)	(D)	(E)	(F)		
1	1	729595-51390	FUEL INJECTION PUMP	1	1	1	1	1			1
1-1	1	729595-51391	FUEL INJECTION PUMP	1	1	1	1	1		N	1
		(A=E00185) (B=E00200)									
3	2	26022-060162	SCREW M 6X 16	9	9	9	9	9			
3-1	2	26022-060162	SCREW M 6X 16	4	4	4	4	4		K	
		(A=E00156) (B=E00156) (C=E00156) (D=E00156) (E=E00156)									
4	2	129470-51040	CAMSHAFT	1	1	1	1	1			
5	2	122710-51050	BEARING, ROLLER	2	2	2	2	2			
6	2	129470-51060	RETAINER	1	1	1	1	1			

Remarks
(1) BOOST COMPEMSATOR TYPE. OPTIONAL PART, TO E00155,(4JH-DT, 4JH-DTZ

① Ref. No.

The Ref. No. listed may not be in accordance with the illustration Ref. No.

(Ex.) Illustration No.

List Ref No.

1

1

(Before change)

1-1

(After change)

For interchangeable symbols N, R and K, illustrations for new parts may be abbreviated.

② Lev. (Level)

Level indication

The numbers below indicate the level of relativity towards the main part.

1 ----- Main parts (Assembly parts)

2 ----- Sub component included in " 1 ".

3 ----- Sub component included in " 2 ".

Note) Parts that are not for sale are partially illustrated but not listed.

③ Interchangeability Symbol

When a part change takes place, one of the following interchangeability symbols is indicated beside the part.

Symbol	Interchangeability	Contents note
N	Old $\begin{matrix} \leftarrow \text{Yes} \\ \text{No} \rightarrow \end{matrix}$ New	New Part is interchangeable for Old Part but Old Part is not interchangeable for New Part.
Q	Old $\begin{matrix} \leftarrow \text{No} \\ \text{Yes} \rightarrow \end{matrix}$ New	New Part is not interchangeable for Old Part but Old Part is interchangeable for New Part.
R	Old $\begin{matrix} \leftarrow \text{Yes} \\ \text{Yes} \rightarrow \end{matrix}$ New	New/ Old Parts are both interchangeable.
S	Old $\begin{matrix} \leftarrow \text{No} \\ \text{No} \rightarrow \end{matrix}$ New	New/ Old Parts are both not interchangeable.
W		Part newly added.
Z		Part discontinued.
F		Not interchangeable by a single part but interchangeable together with related parts.
K		Changes only for used parts quantities.

④ Effective Machine No.

When a part changes, the effective Machine No. will be indicated in the (A)-(F) column.

Product Symbol	Product No.	Product Symbol	Product No.
C	Clutch No. Compressor No.	F	Machine No. (Agricultural Equip.)
D	Drive No.	M	Machine No.
E	Engine No.		

Note 1) A date may follow the symbol. (Ex.) 1996.01

Note 2) "XXXXX" and "ZZZZZ" are for parts that could not be predicted or for engine models that could not be identified.

Note 3) (A=E00185) is the E (Engine Serial Number) for the column (A) model (in this case 4JH-DT) after the parts design change.

⑤ Remarks

Figures or alphabets (symbols) are entered in the remarks column.

The comments (remarks) on parts that are indicated at the bottom of the illustration are the same symbols as those stated above.

Contents

Fig. No. Fig. Name

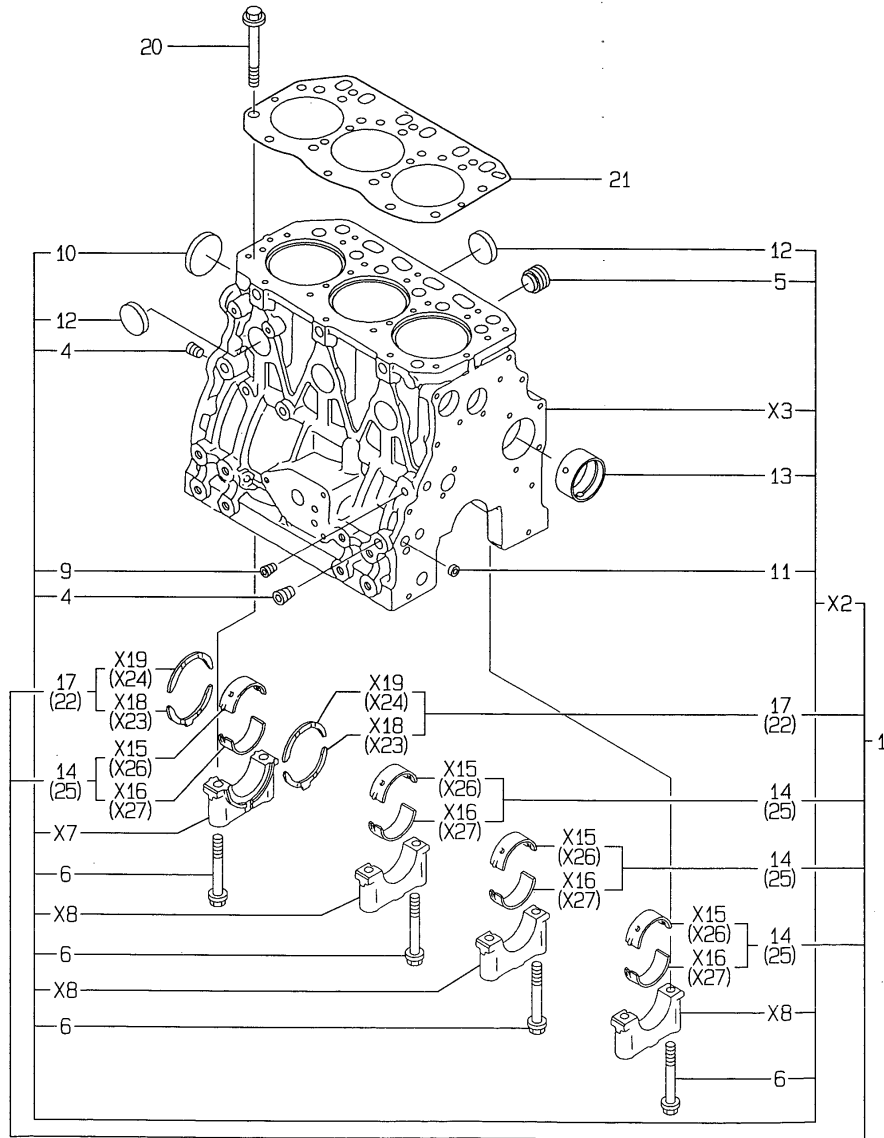
ENGINE SECTION 3TNE88-NSR

1. CYLINDER BLOCK
2. GEAR HOUSING
3. FLYWHEEL HOUSING & OIL SUMP
4. CYLINDER HEAD & BONNET
5. SUCTION MANIFOLD & AIR CLEANER
6. EXHAUST MANIFOLD & SILENCER
7. CAMSHAFT & DRIVING GEAR
8. CRANKSHAFT & PISTON
9. LUB.OIL SYSTEM
10. COOLING WATER SYSTEM
11. FUEL INJECTION PUMP
12. GOVERNOR
13. FUEL INJECTION VALVE
14. FUEL LINE
15. STARTING MOTOR
16. GENERATOR
17. GASKET SET

Fig. No. Fig. Name

Fig.1. CYLINDER BLOCK

1. CYLINDER BLOCK



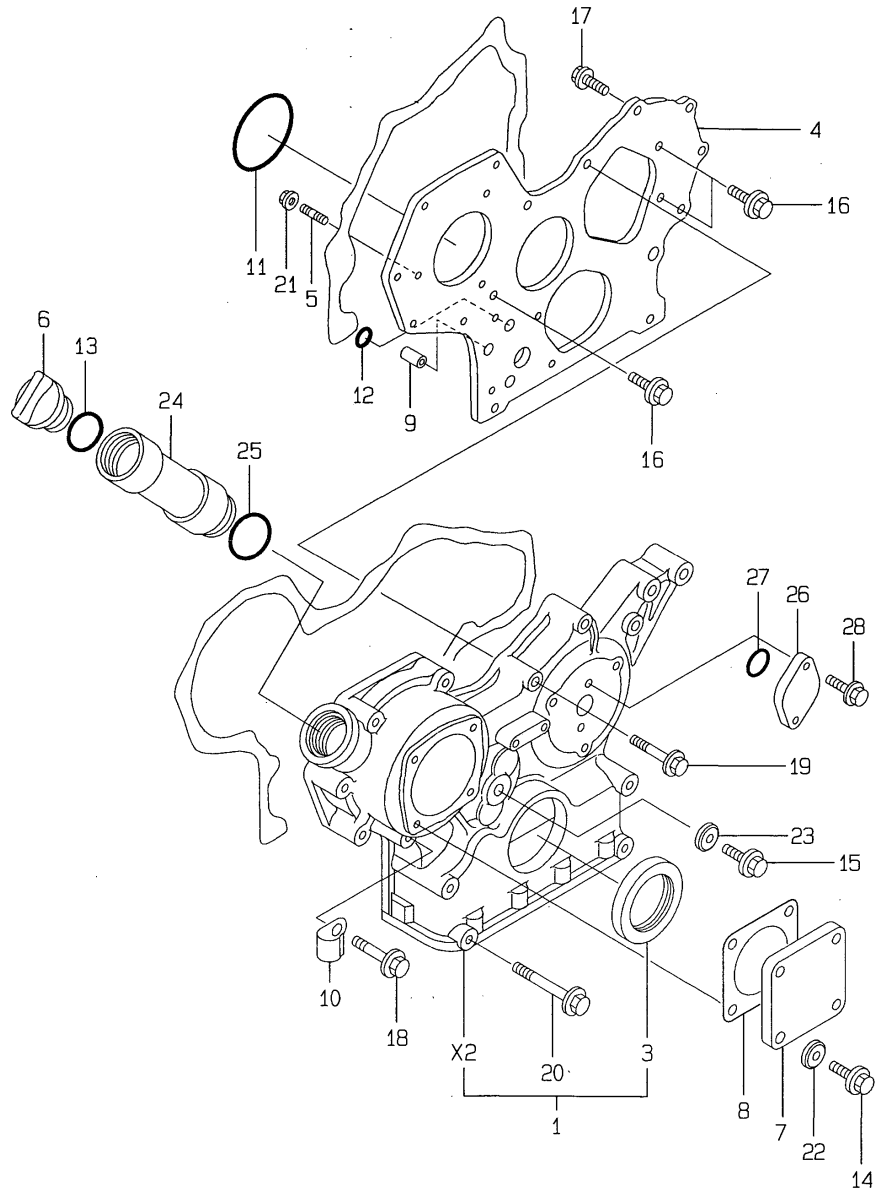
No.	Lev.	Parts No.	Description	Q'ty						I	R
				(A)	(B)	(C)	(D)	(E)	(F)		
1	1	729001-01560	BLOCK ASSY, CYLINDER	1							
4	3	124160-01910	PLUG, PT1/4	3							
5	3	171051-01921	PLUG, NPTF1	1							
6	3	129150-02020	BOLT, METAL CAP	8							
9	3	23871-010000	PLUG, R01	1							
10	3	27231-500000	PLUG 50	1							
11	3	27241-120000	PLUG, 12	2							
12	3	27241-300000	PLUG 30	6							
13	3	129795-02411	BUSH, CAMSHAFT	1							
14	2	129001-02800	BEARING, MAIN	4							
17	2	129150-02930	BEARING, THRUST	2							
20	1	129150-01200	BOLT, HEAD	14							
21	1	129001-01340	GASKET, HEAD	1							G
22	1	129150-02940	BEARING, THRUST 0.25	2							1
25	1	129150-02870	BEARING, 0.25 US	4							2

Remarks

- (1) OVER-SIZE(O.S=0.25)PART.
- (2) UNDER-SIZE(U.S=0.25)PART.
- (G) THESE PARTS ARE SOLD BY FIG.17, REF.NO.1.

Fig.2. GEAR HOUSING

2. GEAR HOUSING



(A)=3TNE88-NSR

(B)=

(C)=

(D)=

(E)=

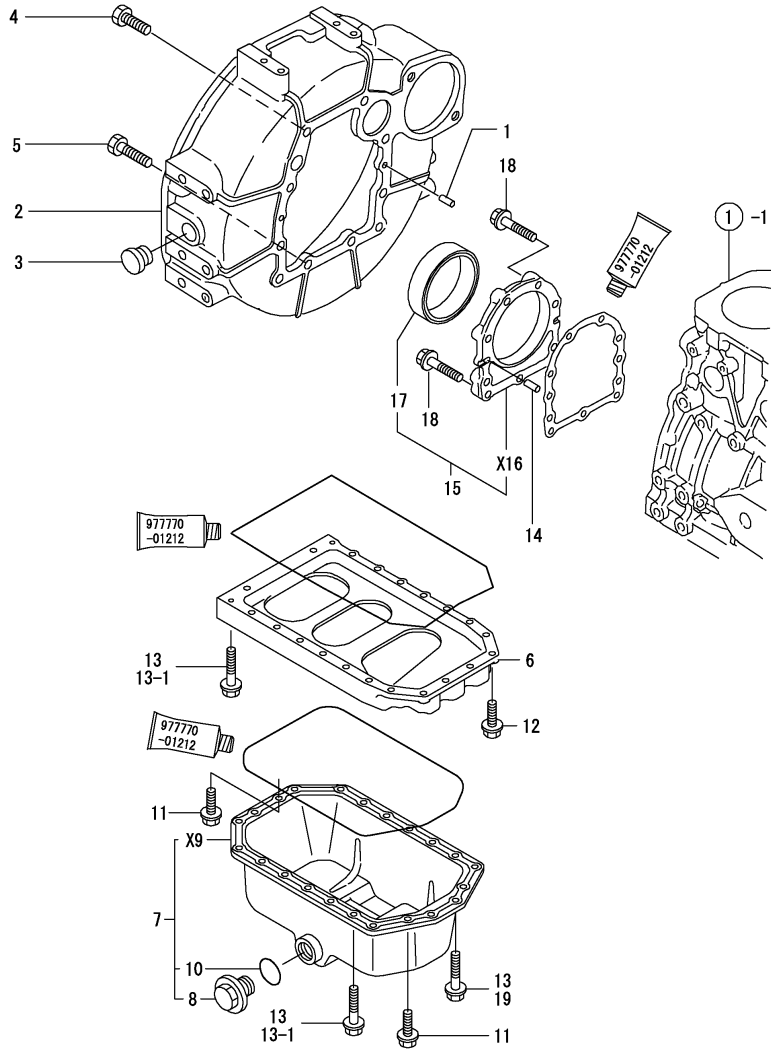
(F)=

No.	Lev.	Parts No.	Description	Q'ty						I	R
				(A)	(B)	(C)	(D)	(E)	(F)		
1	1	719810-01500	CASE ASSY, GEAR	1							
3	2	129795-01800	SEAL, OIL	1							G
4	1	129400-01520	FLANGE, GEAR CASE	1							
5	1	121450-01560	STUD, M8X22	3							
6	1	124160-01751	COVER, FILLER	1							
7	1	124240-01871	COVER	1							
8	1	124240-01883	GASKET	1							G
9	1	129795-01950	PIPE, KNOCK L=18	2							
10	1	129150-03100	RETAINER, PIPE	1							
11	1	121850-51960	O-RING	1							G
12	1	24311-000160	O-RING, 1AP16.0	2							G
13	1	24311-000320	O-RING, 1AP32.0	1							G
14	1	26106-080122	BOLT, M8X 12 PLATED	4							
15	1	26106-080162	BOLT, M8X 16 PLATED	1							
16	1	26106-080162	BOLT, M8X 16 PLATED	3							
17	1	26106-080202	BOLT, M8X 20 PLATED	2							
18	1	26106-080452	BOLT, M8X 45 PLATED	6							
19	1	26106-080552	BOLT, M8X 55 PLATED	3							
20	1	26106-080852	BOLT, M8X 85 PLATED	4							
21	1	26366-080002	NUT, M8	3							
22	1	22190-080002	WASHER, SEAL 6	4							
23	1	22190-080002	WASHER, SEAL 6	1							G
24	1	171031-11741	PIPE	1							
25	1	24311-000320	O-RING, 1AP32.0	1							
26	1	121023-01550	COVER	1							
27	1	24341-000240	O-RING, 1AS24.0	1							G
28	1	26106-060122	BOLT, M6X 12 PLATED	2							

Remarks

(G) THESE PARTS ARE SOLD BY FIG.17, REF.NO.1.

Fig.3. FLYWHEEL HOUSING & OIL SUMP



X-MARK PARTS:NOT SOLD SEPARATELY.

Remarks
(G) THESE PARTS ARE SOLD BY FIG.17,
REF.NO.1.

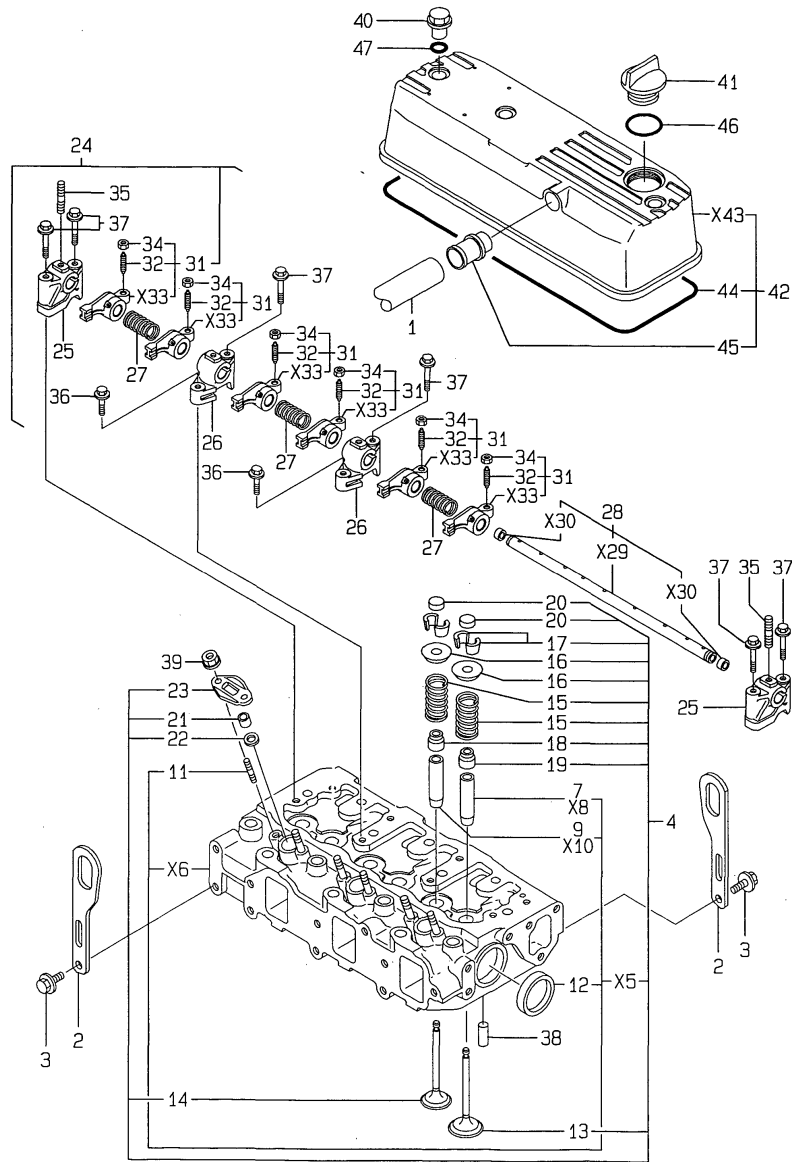
(A)=3TNE88-NSR
(B)=
(C)=

(D)=
(E)=
(F)=

No.	Lev.	Parts No.	Description	Q'ty						I	R
				(A)	(B)	(C)	(D)	(E)	(F)		
1	1	129100-01580	PIN, M8X16	2							
2	1	171301-01600	HOUSING, FLYWHEEL	1							
3	1	119620-01750	CAP	1							
4	1	26206-100252	BOLT, M10X 25 PLATED	6							
5	1	26206-100302	BOLT, M10X 30 PLATED	4							
6	1	129100-01730	SPACER, OIL SUMP	1							
7	1	129100-01760	SUMP ASSY, OIL	1							
8	2	171301-01640	PLUG, 22	1							
10	2	24341-000250	O-RING, 1AS25.0	1							G
11	1	26106-080162	BOLT, M8X 16 PLATED	4							
12	1	26106-080252	BOLT, M8X 25 PLATED	2							
13	1	26106-080452	BOLT, M8X 45 PLATED	20							
13-1	1	26106-080452	BOLT, M8X 45 PLATED	16							K
		(A=FROM 1ST)									
14	1	129100-01580	PIN, M8X16	2							
15	1	129100-01640	CASE ASSY, OIL SEAL	1							
17	2	129795-01780	SEAL, OIL	1							
18	1	26106-080302	BOLT, M8X 30 PLATED	9							
19	1	26106-080502	BOLT, M8X 50 PLATED	4							W
		(A=FROM 1ST)									

Fig.4. CYLINDER HEAD & BONNET

4. CYLINDER HEAD & BONNET



X-MARK PARTS: NOT SOLD SEPARATELY.

(A)=3TNE88-NSR

(B)=

(C)=

(D)=

(E)=

(F)=

No.	Lev.	Parts No.	Description	Q'ty						I	R
				(A)	(B)	(C)	(D)	(E)	(F)		
1	1	171350-03090	PIPE , BREATHER 900	1							
2	1	124736-07900	LIFTER	2							
3	1	26106-080142	BOLT, M8X 14 PLATED	4							
4	1	129001-11700	HEAD ASSY, CYLINDER	1							
7	3	120130-11860	GUIDE, VALVE	3							1
9	3	129150-11810	GUIDE, VALVE	3							1
11	3	26216-060202	STUD, M6X 20	6							
12	3	27241-400000	PLUG, 40	2							
13	2	129100-11100	VALVE, INTAKE	3							
14	2	129100-11110	VALVE, EXHAUST	3							
15	2	129795-11120	SPRING, VALVE	6							
16	2	129795-11180	RETAINER, SPRING	6							
17	2	27310-080001	COTTER, 8	6							
18	2	121400-11340	SEAL, VALVE STEM	3							G
19	2	124460-11340	SEAL, VALVE STEM	3							G
20	2	129150-11370	CAP, VALVE	6							
21	2	119625-11871	PROTECTOR, NOZZLE	3							G
22	2	119625-11880	SEAT, NOZZLE	3							G
23	2	119625-11900	RETAINER, NOZZLE	3							
24	1	129100-11240	SHAFT ASSY, ROCKER	1							
25	2	129155-11260	SUPPORT, ROCKER ARM	2							
26	2	129155-11270	SUPPORT, ROCKER ARM	2							
27	2	129150-11280	SPRING	3							
28	2	129150-11290	SHAFT, ROCKER ARM	1							
31	2	129100-11650	ARM, ROCKER	6							
32	3	129150-11230	SCREW, VALVE ADJUST	6							
34	3	129150-11750	NUT, M8	6							
35	2	26226-080182	STUD, M8X 18	3							
36	1	26106-080252	BOLT, M8X 25 PLATED	2							
37	1	26106-080502	BOLT, M8X 50 PLATED	6							
38	1	22351-060012	PIN, SPRING 6.0X12	2							
39	1	26366-060002	NUT, M6	6							
40	1	124160-11360	KNOB	3							
41	1	124160-01751	COVER, FILLER	1							
42	1	129001-11350	BONNET ASSY, HEAD	1							
44	2	129001-11310	GASKET, BONNET	1							G
45	2	129001-11340	PIPE , BREATHER	1							
46	1	24311-000320	O-RING, 1AP32.0	1							G
47	1	24311-000120	O-RING, 1AP12.0	3							G

Remarks

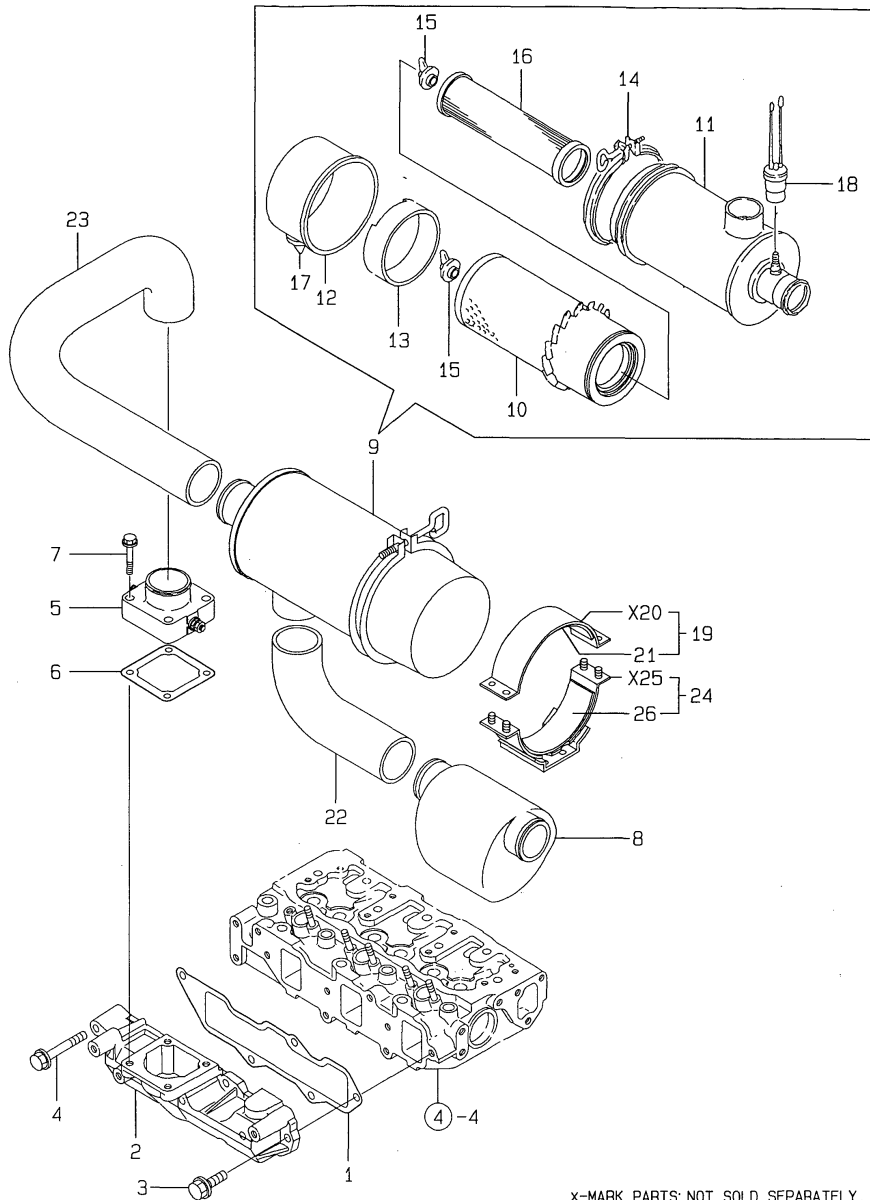
(1) REPAIR PART.

(G) THESE PARTS ARE SOLD BY FIG.17,

REF.NO.1.

Fig.5. SUCTION MANIFOLD & AIR CLEANER

5. SUCTION MANIFOLD & AIR CLEANER



X-MARK PARTS: NOT SOLD SEPARATELY.

Remarks
(G) THESE PARTS ARE SOLD BY FIG.17,
REF.NO.1.

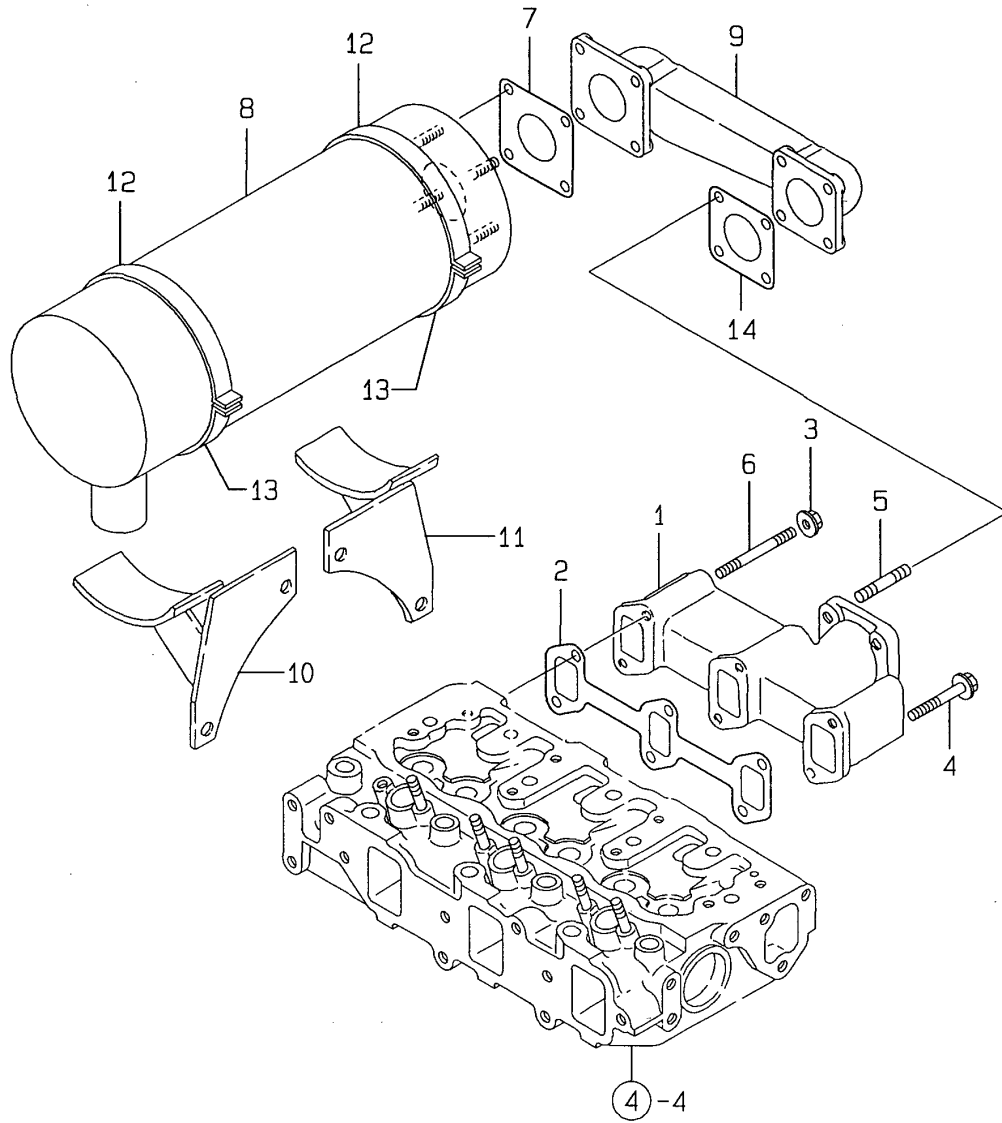
(A)=3TNE88-NSR
(B)=
(C)=

(D)=
(E)=
(F)=

No.	Lev.	Parts No.	Description	Q'ty						I	R
				(A)	(B)	(C)	(D)	(E)	(F)		
1	1	129001-12110	GASKET, MANIFOLD	1							G
2	1	129001-12120	MANIFOLD, AIR INTAKE	1							
3	1	26106-080202	BOLT, M8X 20 PLATED	4							
4	1	26106-080502	BOLT, M8X 50 PLATED	1							
5	1	129120-77501	HEATER	1							
6	1	129150-77511	GASKET	1							G
7	1	26106-080352	BOLT, M8X 35 PLATED	4							
8	1	121855-12060	SILENCER ASSY	1							
9	1	171061-12500	CLEANER ASSY, AIR	1							
10	2	121420-12511	ELEMENT	1							
11	2	171061-12520	BODY, CLEANER	1							
12	2	121422-12530	CUP	1							
13	2	121420-12540	SCARF, BAFFLE	1							
14	2	121420-12550	CLAMP ASSY	1							
15	2	121420-12561	NUT, WING	2							
16	2	121422-12570	ELEMENT	1							
17	2	121422-12580	VALVE, UNLOADER	1							
18	2	171061-12800	INDICATOR	1							
19	1	121400-12540	BAND ASSY, CLEANER	1							
21	2	121400-12570	SEAT, RUBBER B	1							
22	1	129030-12550	PIPE, AIR INTAKE	1							
23	1	129030-12560	PIPE, AIR INTAKE	1							
24	1	171351-12580	SUPPORT ASSY,CLEANER	1							
26	2	171351-12570	SEAT, RUBBER	1							

Fig.6. EXHAUST MANIFOLD & SILENCER

6.EXHAUST MANIFOLD & SILENCER



(A)=3TNE88-NSR

(B)=

(C)=

(D)=

(E)=

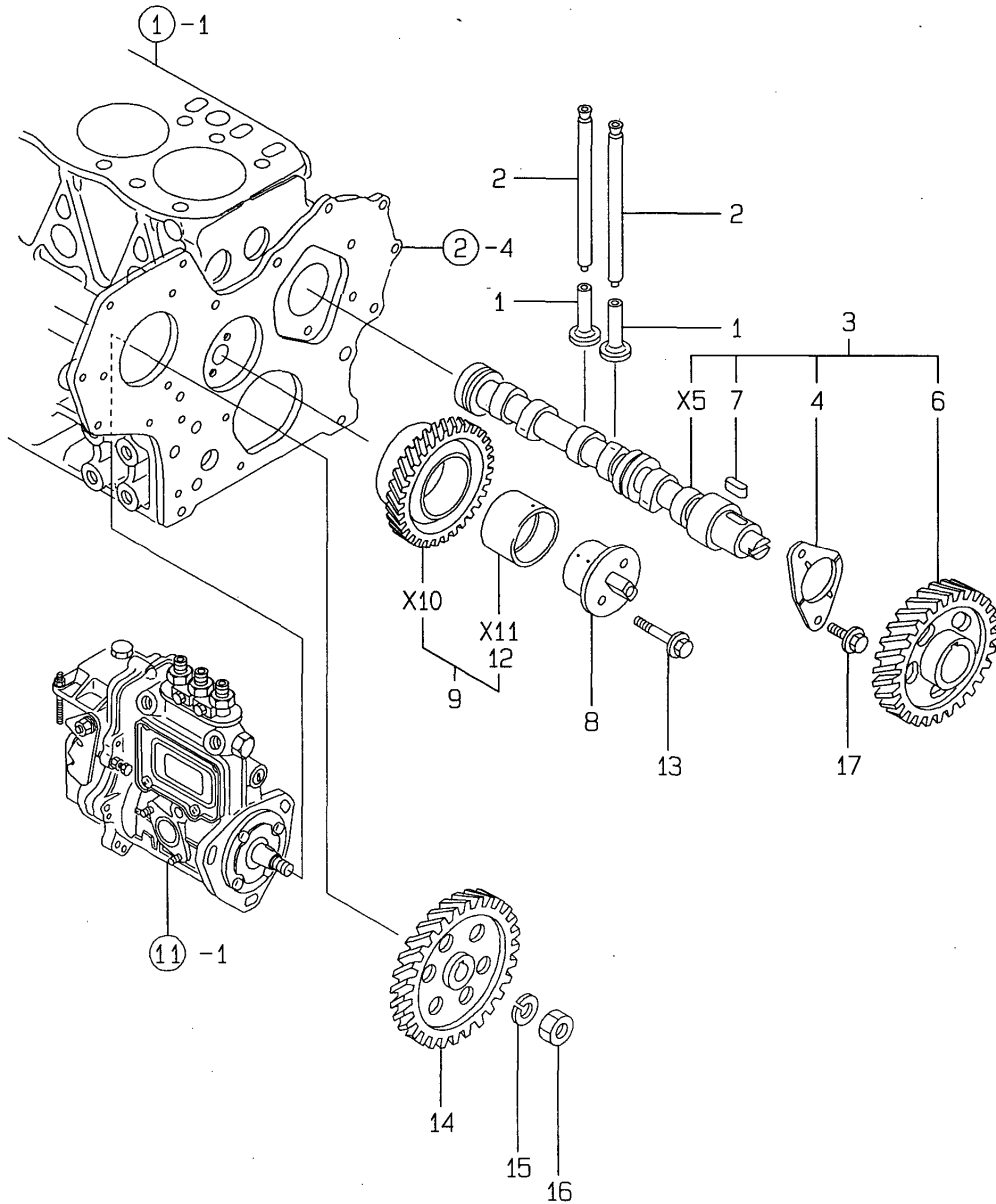
(F)=

No.	Lev.	Parts No.	Description	Q'ty						I	R
				(A)	(B)	(C)	(D)	(E)	(F)		
1	1	129100-13110	MANIFOLD, EXHAUST	1							
2	1	129150-13110	GASKET	1							G
3	1	194990-22050	NUT, M8	2							
4	1	26106-080802	BOLT, M8X 80 PLATED	4							
5	1	26216-080222	STUD, M8X 22	4							
6	1	26216-080802	STUD, M8X 80	2							
7	1	129400-13201	GASKET, SILENCER	1							G
8	1	129030-13510	SILENCER	1							
9	1	129030-13540	BEND, EXHAUST	1							
10	1	129030-13650	SUPPORT	1							
11	1	129130-13660	SUPPORT	1							
12	1	129111-13670	BAND, SILENCER	2							
13	1	129111-13680	BAND, SILENCER	2							
14	1	124701-11911	GASKET, SILENCER	1							

Remarks
 (G) THESE PARTS ARE SOLD BY FIG.17,
 REF.NO.1.

Fig.7. CAMSHAFT & DRIVING GEAR

7. CAMSHAFT & DRIVING GEAR



(A)=3TNE88-NSR

(B)=

(C)=

(D)=

(E)=

(F)=

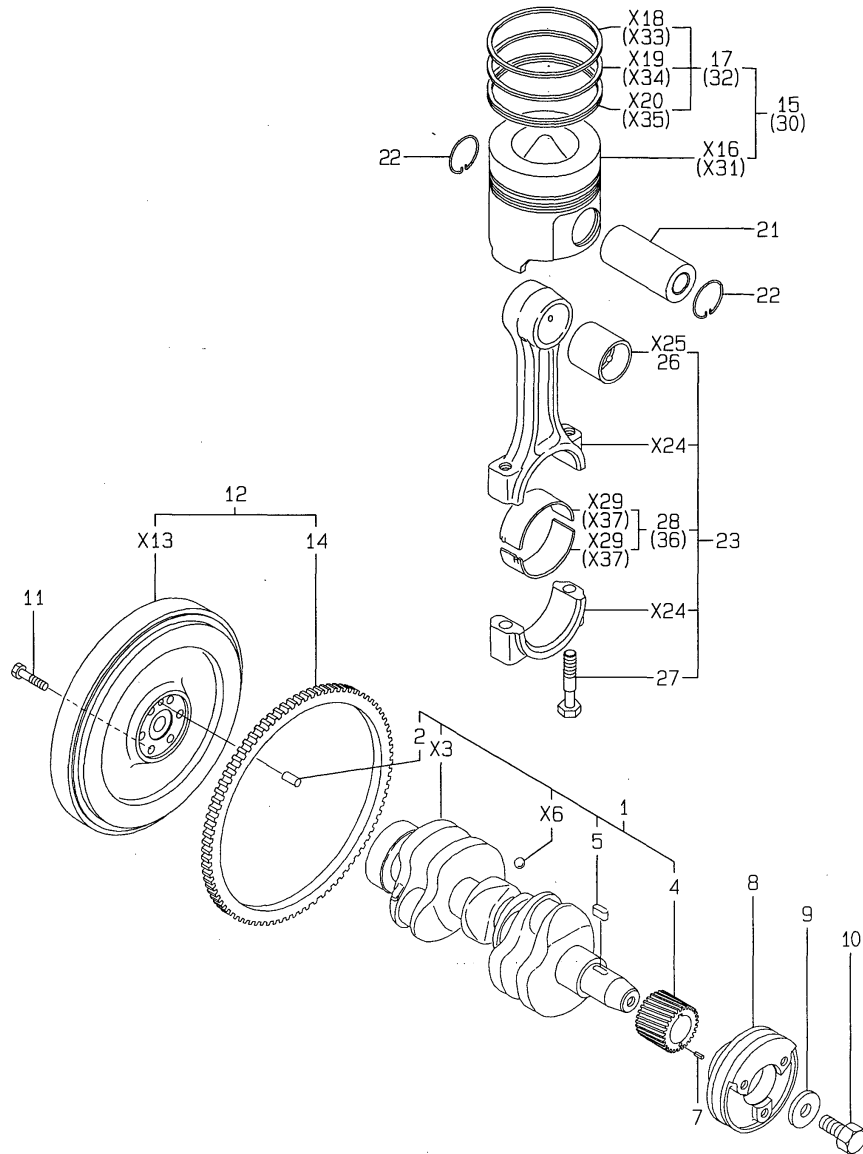
No.	Lev.	Parts No.	Description	Q'ty						I	R
				(A)	(B)	(C)	(D)	(E)	(F)		
1	1	129150-14200	TAPPET	6							
2	1	129150-14400	ROD, PUSH L=178	6							
3	1	129129-14580	CAMSHAFT ASSY	1							
4	2	129150-02450	BEARING, THRUST	1							
6	2	129150-14101	GEAR, CAMSHAFT	1							
7	2	22512-070140	KEY, 7X 14	1							
8	1	129100-25061	SHAFT, IDLE	1							
9	1	129150-25101	GEAR ASSY, IDLE	1							
12	2	129150-25920	BUSH, IDLE GEAR	1							1
13	1	26106-080452	BOLT, M8X 45 PLATED	2							
14	1	129150-25900	GEAR, PUMP	1							
15	1	22217-120000	WASHER, SPRING 12	1							
16	1	26716-120002	NUT, M12	1							
17	1	26106-080162	BOLT, M8X 16 PLATED	2							

Remarks

(1) REPAIR PART.

Fig.8. CRANKSHAFT & PISTON

8. CRANKSHAFT & PISTON



(A)=3TNE88-NSR

(B)=

(C)=

(D)=

(E)=

(F)=

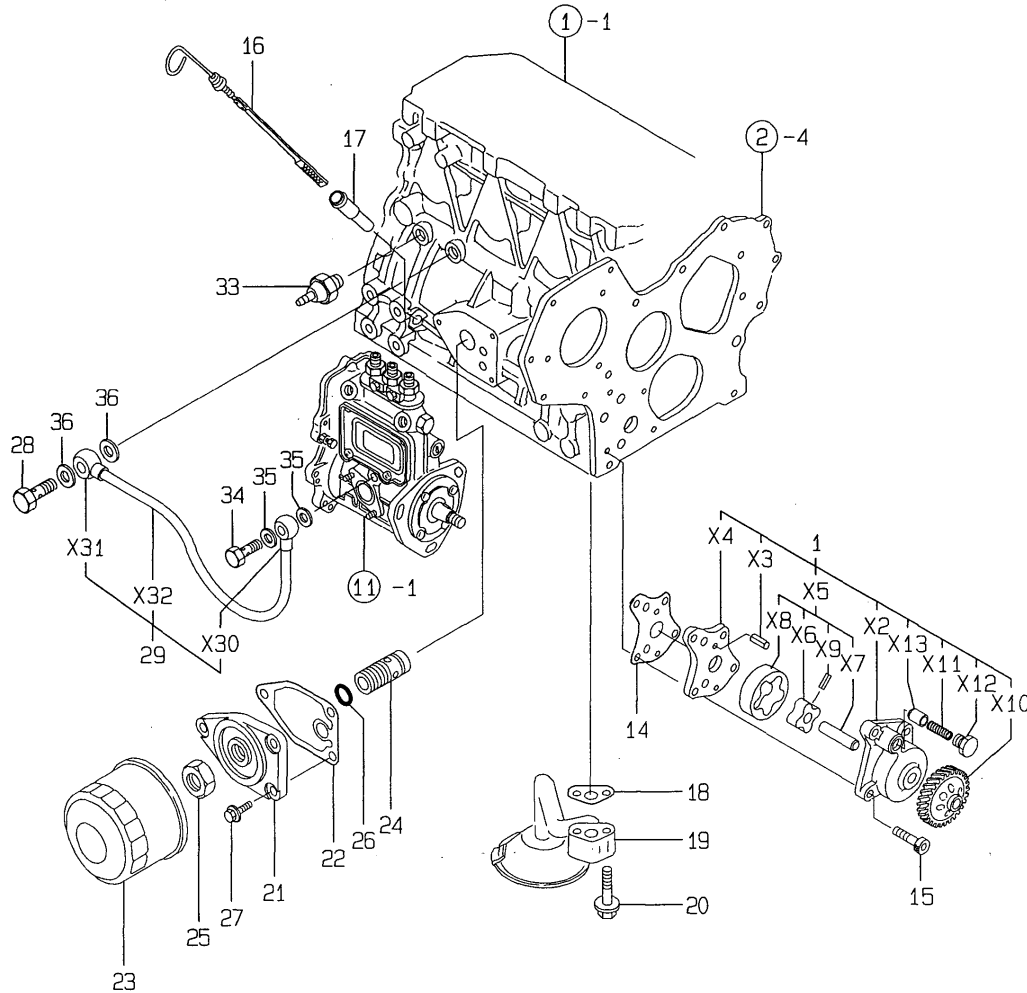
No.	Lev.	Parts No.	Description	Q'ty						I	R
				(A)	(B)	(C)	(D)	(E)	(F)		
1	1	129001-21000	CRANKSHAFT ASSY	1							
2	2	129100-01580	PIN, M8X16	1							
4	2	129150-21200	GEAR, CRANKSHAFT	1							
5	2	22512-070140	KEY, 7X 14	1							
7	1	22351-040010	PIN, SPRING 4.0X10	1							
8	1	171340-21650	V-PULLEY	1							
9	1	129795-21661	WASHER	1							
10	1	121850-21680	BOLT	1							
11	1	121111-21501	BOLT, FLYWHEEL	6							
12	1	129030-21590	FLYWHEEL ASSY	1							
14	2	119865-21600	GEAR, RING	1							
15	1	129001-22081	PISTON ASSY	3							
17	2	129001-22500	RING SET, PISTON	3							
21	1	129202-22300	PIN, PISTON D26 L70	3							
22	1	22252-000260	RING, 26	6							
23	1	729402-23100	ROD ASSY, CONNECTING	3							
26	2	129100-23910	BEARING, PISTON PIN	3							1
27	2	121550-23200	BOLT, CONNECTING ROD	6							
28	2	129150-23600	BEARING, CRANK PIN	3							
30	1	129001-22901	PISTON ASSY, 0.25 OS	3							2
32	2	129001-22950	RING SET, 0.25 OS	3							2
36	1	129150-23610	BEARING, 0.25 US	3							3

Remarks

- (1) REPAIR PART.
- (2) OVER-SIZE(O.S=0.25)PART.
- (3) UNDER-SIZE(U.S=0.25)PART.

Fig.9. LUB.OIL SYSTEM

9.LUB.OIL SYSTEM



(A)=3TNE88-NSR
(B)=
(C)=

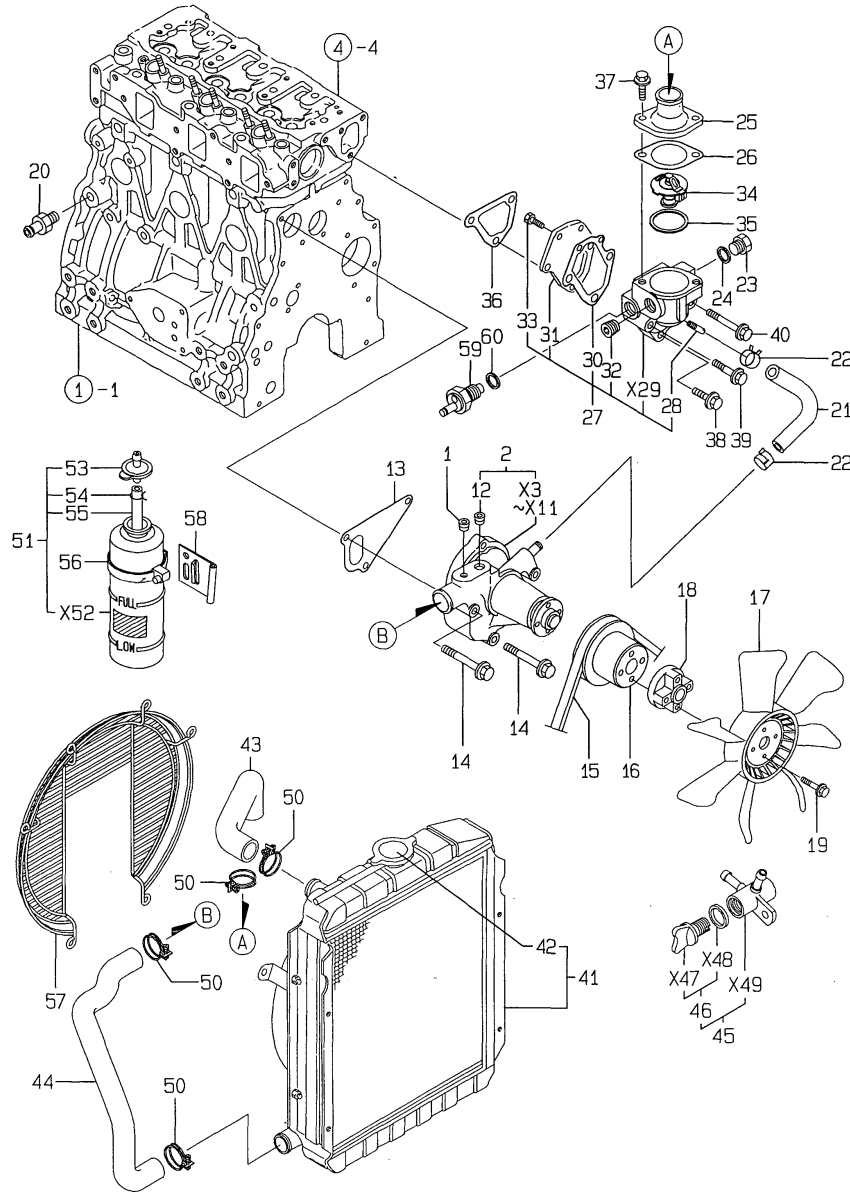
(D)=
(E)=
(F)=

No.	Lev.	Parts No.	Description	Q'ty						I	R
				(A)	(B)	(C)	(D)	(E)	(F)		
1	1	129001-32001	PUMP ASSY, OIL	1							
14	1	129150-32020	GASKET, PUMP	1							G
15	1	26450-060252	BOLT, M6X 25	4							
16	1	171420-34820	DIPSTICK, OIL	1							
17	1	121520-34810	GUIDE, DIPSTICK	1							
18	1	129150-35041	GASKET	1							G
19	1	129100-35301	PIPE ASSY, OIL INLET	1							
20	1	26106-080352	BOLT, M8X 35 PLATED	2							
21	1	129150-35101	BRACKET, STRAINER	1							
22	1	129150-35111	GASKET	1							G
23	1	129150-35151	FILTER, D80XL80	1							
24	1	129001-35300	BOLT, FILTER	1							
25	1	129150-35350	NUT	1							
26	1	24311-000160	O-RING, 1AP16.0	1							G
27	1	26106-080202	BOLT, M8X 20 PLATED	3							
28	1	124160-39140	BOLT, PIPE JOINT M10	1							
29	1	129150-39450	PIPE ASSY, OIL	1							
33	1	121252-39450	SWITCH, 0.5KG	1							
34	1	124550-59820	BOLT, PIPE JOINT M8	1							
35	1	23414-080000	GASKET, 8X1.0	2							G
36	1	23414-100000	GASKET, 10X1.0	2							G

Remarks
(G) THESE PARTS ARE SOLD BY FIG.17,
REF.NO.1.

Fig.10. COOLING WATER SYSTEM

10. COOLING WATER SYSTEM



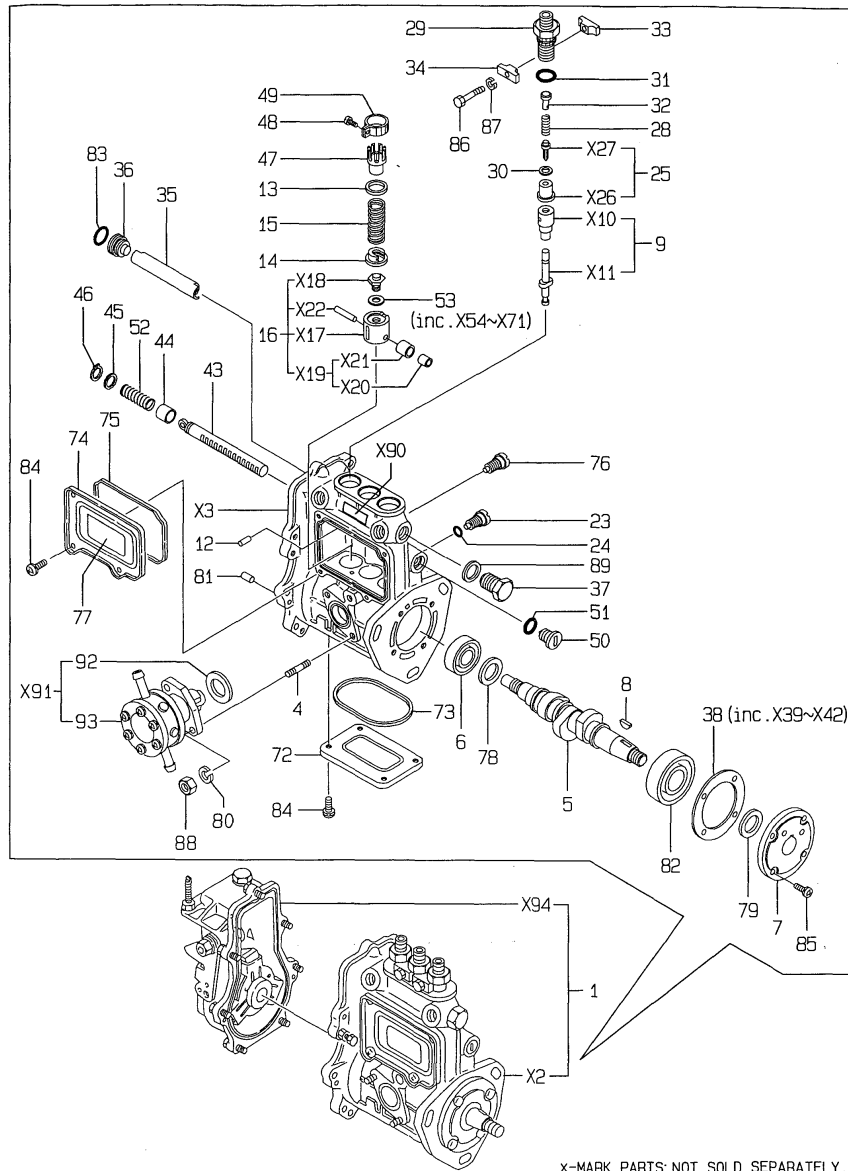
X-MARK PARTS: NOT SOLD SEPARATELY.

No.	Lev.	Parts No.	Description	Q'ty						I	R
				(A)	(B)	(C)	(D)	(E)	(F)		
1	1	121850-11860	PLUG, PT1/4	1							
2	1	129100-42002	PUMP ASSY, WATER	1							
12	2	23871-030000	PLUG, R03	1							
13	1	129100-42020	GASKET, WATER PUMP	1							G
14	1	26106-080602	BOLT, M8X 60 PLATED	3							
15	1	25132-003800	V-BELT, A38	1							
16	1	129155-42350	V-PULLEY	1							
17	1	129120-44741	FAN, COOLING 360	1							
18	1	171353-44760	SPACER, FAN	1							
19	1	26106-060352	BOLT, M6X 35 PLATED	4							
20	1	121550-49111	JOINT, PT1/4	1							
21	1	129132-49050	PIPE, WATER	1							
22	1	23000-016000	CLAMP, 16	2							
23	1	121450-42450	PLUG, M16	1							
24	1	124465-44950	GASKET, 16	1							G
25	1	129350-49530	COVER, THERMOSTAT	1							
26	1	129795-49551	GASKET	1							G
27	1	129100-49800	CASE ASSY, THERMOSTAT	1							
28	2	124770-11770	JOINT, PIPE PT1/8	1							
30	2	129100-49820	GASKET	1							
31	2	129100-49830	COVER, THERMOSTAT	1							
32	2	23871-030000	PLUG, R03	1							
33	2	26116-060162	BOLT, M6X 16 PLATED	2							
34	1	129155-49800	THERMOSTAT, 71	1							
35	1	129150-49811	GASKET, THERMOSTAT	1							G
36	1	129100-49840	GASKET	1							G
37	1	26106-080202	BOLT, M8X 20 PLATED	2							
38	1	26106-080252	BOLT, M8X 25 PLATED	1							
39	1	26106-080502	BOLT, M8X 50 PLATED	1							
40	1	26106-080602	BOLT, M8X 60 PLATED	1							
41	1	129420-44500	RADIATOR	1							
42	2	119259-44570	CAP, RADIATOR	1							
43	1	171420-49010	PIPE, WATER	1							
44	1	171420-49020	PIPE, WATER	1							
45	1	129150-49100	COCK ASSY, 3-WAY	1							
46	2	129150-49080	COCK, DRAIN	1							
50	1	23010-038000	CLAMP, 38	4							
51	1	124450-44510	TANK ASSY, SUB	1							
53	2	124450-44530	CAP	1							
54	2	124450-44560	RETAINER	1							
55	2	23061-070230	PIPE, 7X 230	1							
56	1	124450-44550	BAND	1							
57	1	129420-44560	PROTECTOR, FAN	1							
58	1	121256-44600	BRACKET, SUB TANK	1							
59	1	121250-44901	SWITCH, 110	1							
60	1	124465-44950	GASKET, 16	1							G

Remarks
(G) THESE PARTS ARE SOLD BY FIG.17,
REF.NO.1.

Fig.11. FUEL INJECTION PUMP

11.FUEL INJECTION PUMP



x-MARK PARTS: NOT SOLD SEPARATELY.

Remarks

(1)GOVERNOR ASSY(FIG.12)IS INCORPORATED IN THIS FUEL INJECTION PUMP ASSY(REF.NO.1)

(A)=3TNE88-NSR

(B)=

(C)=

(D)=

(E)=

(F)=

No.	Lev.	Parts No.	Description	Q'ty						I	R
				(A)	(B)	(C)	(D)	(E)	(F)		
1	1	729031-51370	PUMP ASSY, INJECTION	1							1
4	3	129155-51020	STUD	2							
5	3	119810-51040	CAMSHAFT	1							
6	3	129155-51050	BEARING, 17BM001D	1							
7	3	129155-51060	SUPPORT, CAMSHAFT	1							
8	3	122710-51090	KEY	1							
9	3	129506-51100	PLUNGER ASSY	3							
12	3	129155-51140	PIN	3							
13	3	174307-51170	RETAINER, SPRING A	3							
14	3	129155-51180	RETAINER, SPRING	3							
15	3	124950-51190	SPRING, PLUNGER	3							
16	3	129155-51200	TAPPET ASSY	3							
23	3	129155-51270	STOPPER, TAPPET	3							
24	3	129155-51280	O-RING, S6	3							
25	3	129505-51300	VALVE ASSY, DELIVERY	3							
28	3	129155-51320	SPRING, DELIVERY	3							
29	3	129155-51340	RETAINER	3							
30	3	124550-51350	GASKET, DELIVERY	3							
31	3	124550-51370	O-RING	3							
32	3	129155-51370	STOPPER, VALVE	3							
33	3	129155-51380	STOPPER	2							
34	3	129155-51390	STOPPER	2							
35	3	129155-51400	DEFLECTOR	1							
36	3	129155-51410	BOLT	1							
37	3	129155-51420	PLUG, M16	1							
38	3	129155-51450	SHIM SET, ADJUSTING	1							
43	3	129155-51500	RACK, CONTROL	1							
44	3	129155-51521	BUSH, RACK	1							
45	3	129155-51530	SPACER	1							
46	3	129155-51540	CIRCLIP	1							
47	3	129155-51550	PINION, CONTROL	3							
48	3	122117-51560	SCREW	3							
49	3	174307-51560	PINION	3							
50	3	129155-51570	PLUG, M12	1							
51	3	129155-51580	O-RING	1							
52	3	129155-51591	SPRING, RACK	1							
53	3	129155-51600	SHIM SET, ADJUSTING	3							
72	3	129155-51700	COVER	1							
73	3	129155-51710	GASKET	1							
74	3	129155-51750	COVER	1							
75	3	129155-51760	GASKET	1							
76	3	129155-51790	STOOPER, RACK	1							
77	3	129156-51910	LABEL, CAUTION	1							
78	3	129155-51930	SPACER, T=3.25	1							
79	3	129155-51940	SPACER, T=1.5	1							
80	3	22217-060000	WASHER, SPRING 6	2							
81	3	22351-050010	PIN, SPRING 5.0X10	2							
82	3	24101-063034	BEARING, BALL 6303	1							
83	3	24341-000160	O-RING, 1AS16.0	1							
84	3	26022-050102	SCREW, M5X10	8							
85	3	26022-060162	SCREW, M6X16	4							

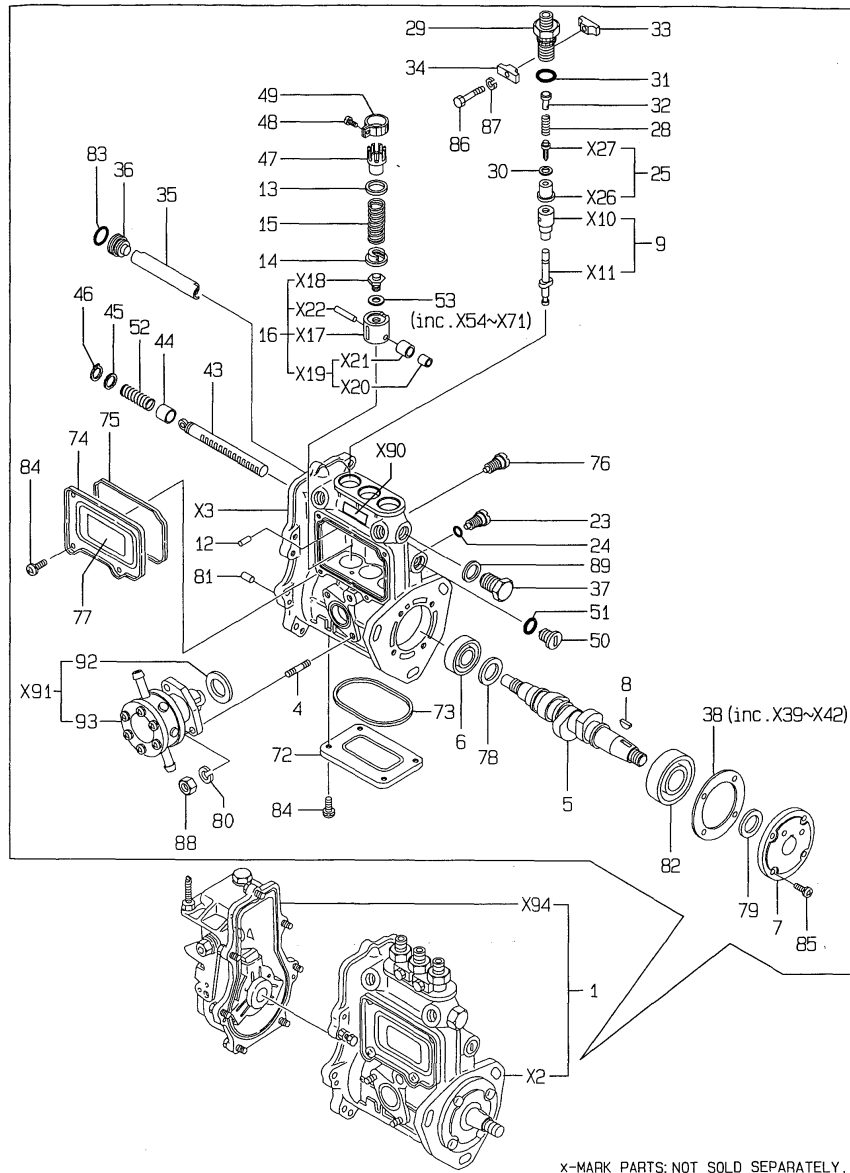
N:Old $\xrightarrow{\text{Yes}}$ New, Q:Old $\xrightarrow{\text{No}}$ New, R:Old $\xrightarrow{\text{Yes}}$ New, S:Old $\xrightarrow{\text{No}}$ New, W:Add, Z:Discontinued, F:Interchangeable by set, K:Q'ty Change

++ CONTINUE ++

Copyright (C) YANMAR CO., LTD. All Rights Reserved.

Fig.11. FUEL INJECTION PUMP

11.FUEL INJECTION PUMP



x-MARK PARTS: NOT SOLD SEPARATELY.

(A)=3TNE88-NSR
(B)=
(C)=

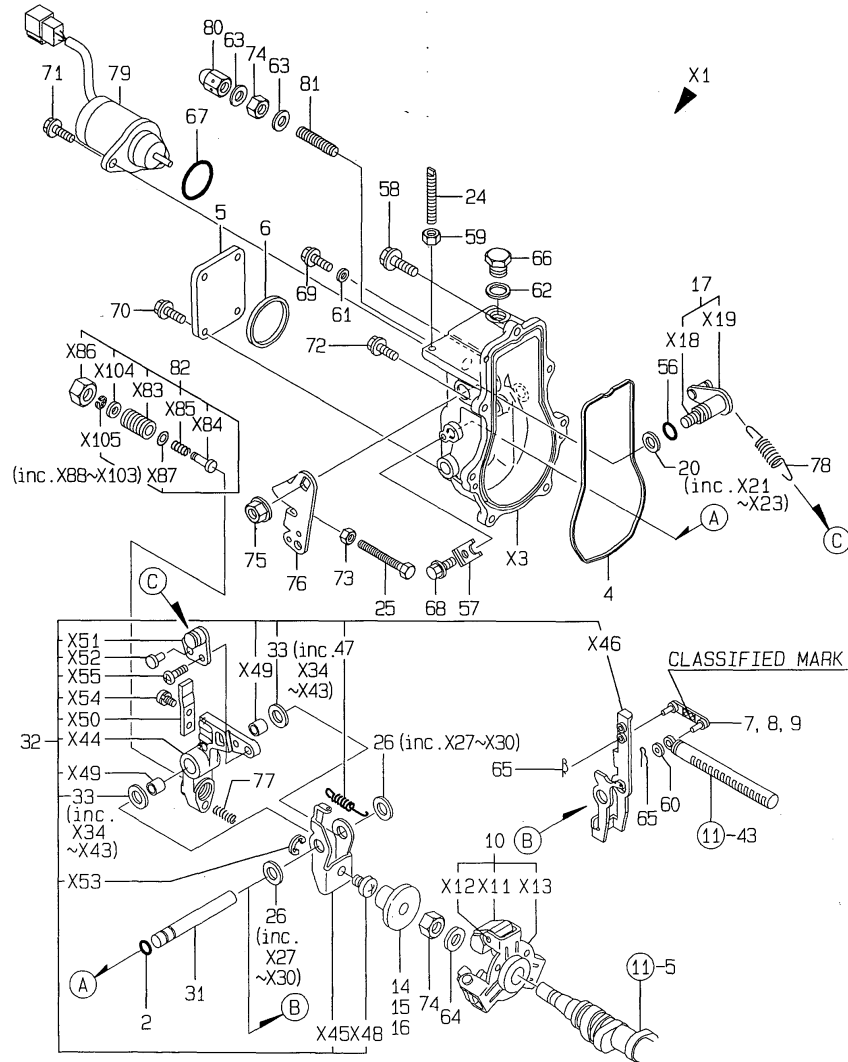
(D)=
(E)=
(F)=

No.	Lev.	Parts No.	Description	Q'ty						I	R
				(A)	(B)	(C)	(D)	(E)	(F)		
86	3	26116-050302	BOLT, M5X 30 PLATED	2							
87	3	22217-050000	WASHER, SPRING 5	2							
88	3	26716-060002	NUT, M6	2							
89	3	22190-160002	WASHER, SEAL 16	1							
92	3	129155-52050	GASKET	1							
93	3	129100-52100	PUMP ASSY, FUEL FEED	1							

Remarks
(1)GOVERNOR ASSY(FIG.12)IS
INCORPORATED IN THIS FUEL
INJECTION PUMP ASSY(REF.NO.1)

Fig.12. GOVERNOR

12. GOVERNOR

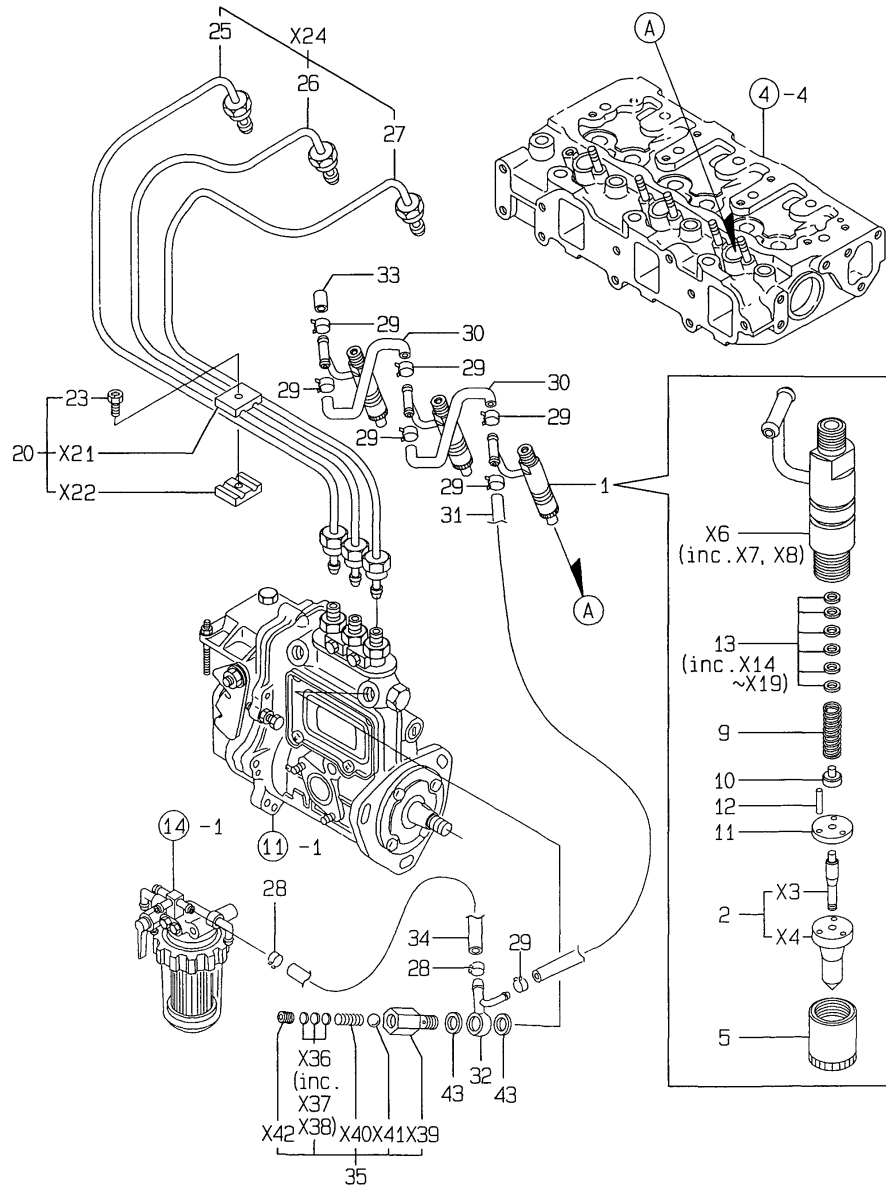


Remarks
 (1) SELECTIVE PARTS: CERTAIN THE CLASSIFICATION MARK, THEN PLACE YOUR ORDER.(REFER TO ILLUSTRATION).
 (2) SELECTIVE PARTS.
 * THIS FIGURE(GOVERNOR ASSY)IS INCORPORATED IN THE FUEL INJECTION PUMP ASSY(FIG.11).

No.	Lev.	Parts No.	Description	Q'ty						I	R
				(A)	(B)	(C)	(D)	(E)	(F)		
2	2	129155-51280	O-RING, S6	1							
4	2	129052-61050	GASKET	1							
5	2	129052-61060	COVER, GOVERNOR CASE	1							
6	2	129052-61070	GASKET	1							
7	2	129155-61120	LINK, L=30 MARK 0	1							1
8	2	129155-61130	LINK, L=31 MARK 1	1							1
9	2	129155-61140	LINK, L=30.5 MARK 05	1							1
10	2	129155-61201	WEIGHT ASSY,GOVERNOR	1							
14	2	129155-61341	SLEEVE	1							2
15	2	129155-61350	SLEEVE, L=24.9	1							2
16	2	129155-61360	SLEEVE, L=25.2	1							2
17	2	129100-61400	SHAFT ASSY	1							
20	2	129155-61430	SPACER	1							
24	2	129155-61450	BOLT, LIMITER	1							
25	2	129155-61460	BOLT, IDLE	1							
26	2	129155-61480	SPACER ASSY	2							
31	2	129052-61390	SHAFT	1							
32	2	129052-61500	LEVER ASSY, GOVERNOR	1							
33	3	174307-51700	SHIM SET	2							
47	3	129052-61540	SPRING, SET	1							
56	2	129155-61830	O-RING, S10	1							
57	2	119660-61901	RETAINER, SHAFT	1							
58	2	129155-61950	BOLT	1							
59	2	124550-66370	NUT, M6	1							
60	2	22117-040000	WASHER, 4	1							
61	2	22190-060002	WASHER, SEAL 6	1							
62	2	22190-100002	WASHER, SEAL 10	1							
63	2	22190-120002	WASHER, SEAL 12	2							
64	2	22287-120000	WASHER, 12	2							
65	2	22372-040000	PIN, SNAP 4	2							
66	2	23887-100002	PLUG, 10	1							
67	2	24341-000280	O-RING, 1AS28.0	1							
67-1	2	158552-61900	O-RING	1							N
(A=EXXXXX)											
68	2	26106-060102	BOLT, M6X 10 PLATED	1							
69	2	26106-060102	BOLT, M6X 10 PLATED	1							
70	2	26106-060102	BOLT, M6X 10 PLATED	4							
71	2	26106-060142	BOLT, M6X 14 PLATED	2							
72	2	26106-060202	BOLT, M6X 20 PLATED	6							
73	2	26756-060002	NUT, LOCK M6	1							
74	2	26776-120002	NUT, LOCK M12	2							
75	1	26366-080002	NUT, M8	1							
76	1	129100-61440	LEVER, CONTROL	1							
77	1	129100-61650	SPRING, CONTROLLER	1							
78	1	129489-61700	SPRING, GOVERNOR	1							
79	1	119653-77950	SOLENOID, STOP	1							
80	1	26687-120002	NUT, CAP M12	1							
81	1	129155-61470	BOLT, CONTROL	1							
82	1	129132-61550	ANGLEICH ASSY	1							

Fig.13. FUEL INJECTION VALVE

13.FUEL INJECTION VALVE



(A)=3TNE88-NSR

(B)=

(C)=

(D)=

(E)=

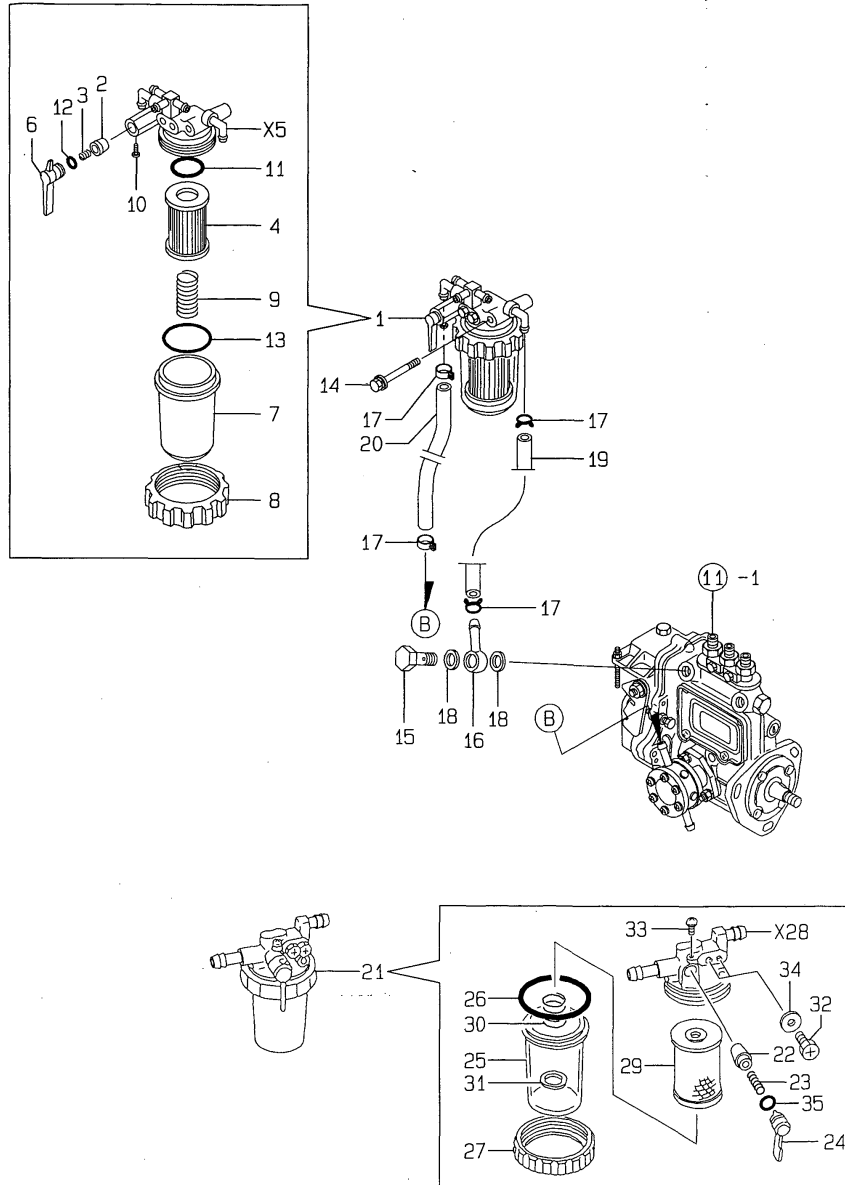
(F)=

No.	Lev.	Parts No.	Description	Q'ty						I	R
				(A)	(B)	(C)	(D)	(E)	(F)		
1	1	729102-53100	VALVE ASSY,INJECTION	3							
2	2	129102-53000	VALVE ASSY,INJECTION	3							
5	2	114250-53080	NUT, NOZZLE D16.95	3							
9	2	114250-53120	SPRING, NOZZLE	3							
10	2	114250-53130	SEAT, SPRING	3							
11	2	114250-53140	PLATE	3							
12	2	114250-53210	PIN	6							
13	2	114250-53400	SHIM SET	3							
20	1	119305-59120	RETAINER, PIPE	2							
23	2	129150-59131	BOLT, M4X14	2							
25	2	129002-59810	PIPE ASSY, INJECTION	1							
26	2	129002-59820	PIPE ASSY, INJECTION	1							
27	2	129002-59831	PIPE ASSY, INJECTION	1							
28	1	124766-59050	CLIP, HOSE 12	2							
29	1	124066-59100	CLIP, HOSE 8	7							
30	1	121250-59550	PIPE, FUEL D8X120	2							
31	1	119840-59560	PIPE, FUEL RETURN	1							
32	1	119840-59570	JOINT	1							
33	1	129150-59580	CAP	1							
34	1	129255-59580	PIPE, FUEL	1							
35	1	129100-59951	VALVE ASSY, CHECK	1							
43	1	23414-120000	GASKET, 12X1.0	2							G

Remarks
(G) THESE PARTS ARE SOLD BY FIG.17,
REF.NO.1.

Fig.14. FUEL LINE

14.FUEL LINE



(A)=3TNE88-NSR

(B)=

(C)=

(D)=

(E)=

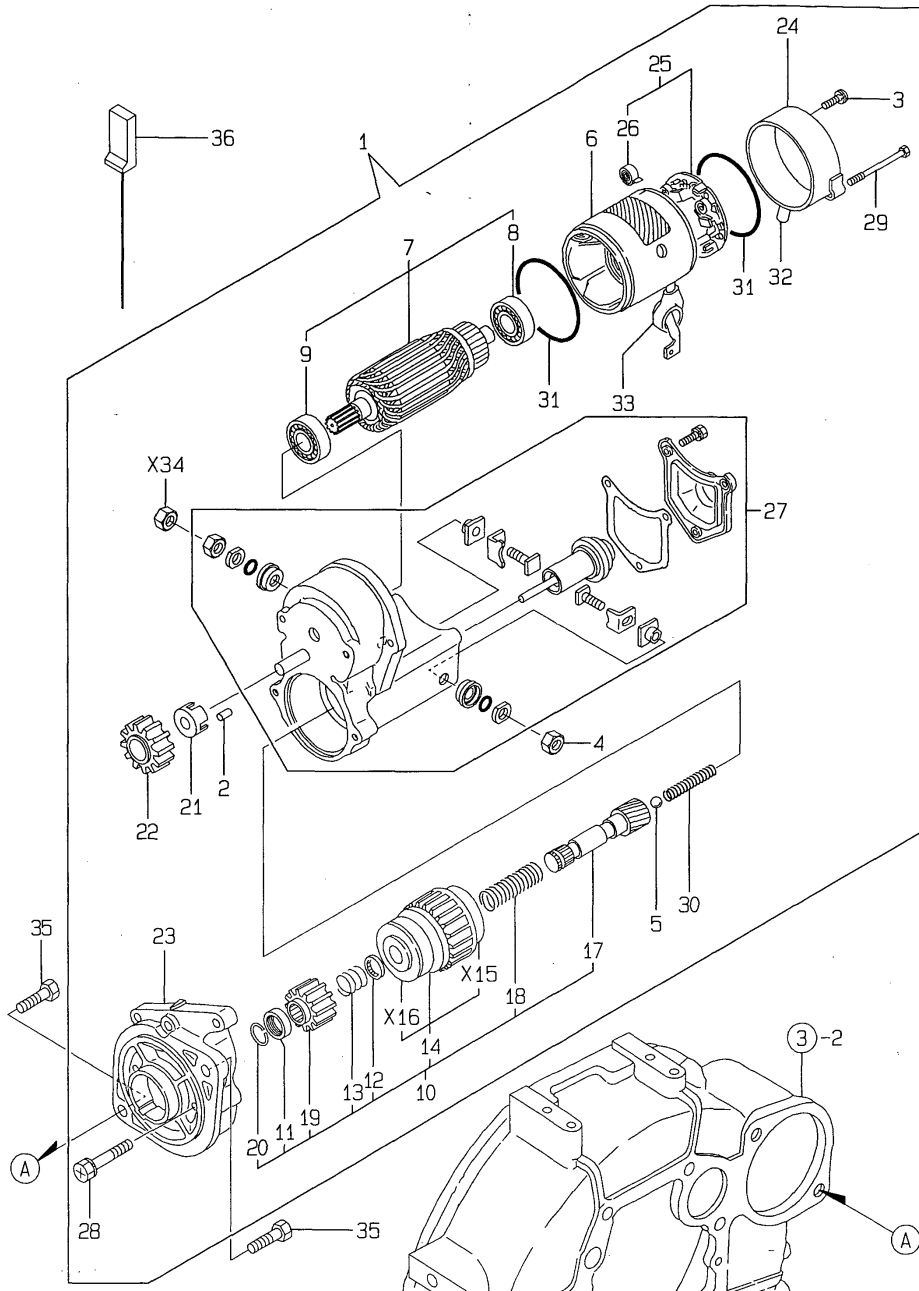
(F)=

No.	Lev.	Parts No.	Description	Qty						I	R
				(A)	(B)	(C)	(D)	(E)	(F)		
1	1	129052-55620	FILTER ASSY, FUEL	1							
2	2	104200-55321	VALVE, TAPER	1							
3	2	104200-55330	SPRING, VALVE	1							
4	2	129100-55650	ELEMENT	1							
6	2	129100-55670	LEVER	1							
7	2	129100-55680	CUP, STRAINER	1							
8	2	129100-55690	RING, RETAINING	1							
9	2	129100-55700	SPRING	1							
10	2	104200-55750	SCREW, M4	1							
11	2	24311-000160	O-RING, 1AP16.0	1							
12	2	24311-240100	O-RING, 1AP10A	1							
13	2	24321-000650	O-RING, 1AG65.0	1							
14	1	26014-080702	BOLT, M8X 70	1							
15	1	103854-39140	BOLT, PIPE JOINT	1							
16	1	101304-59020	JOINT, PIPE 12	1							
17	1	124766-59050	CLIP, HOSE 12	4							
18	1	104200-59170	GASKET, 12	2							G
19	1	129555-59510	PIPE, D13/7.5X180	1							
20	1	105025-59530	PIPE, FUEL D13X400	1							
21	1	121850-55800	SEPARATOR ASSY,WATER	1							
22	2	104200-55321	VALVE, TAPER	1							
23	2	104200-55330	SPRING, VALVE	1							
24	2	104200-55341	HANDLE	1							
25	2	121254-55510	COVER	1							
26	2	102103-55520	O-RING	1							
27	2	110250-55610	RING, RETAINING	1							
29	2	121850-55710	SCREEN	1							
30	2	121257-55720	SPRING	1							
31	2	121257-55731	FLOAT	1							
32	2	101720-55750	PLUG, 6	2							
33	2	104200-55750	SCREW, M4	1							
34	2	23418-060000	GASKET, 6X1.0	2							
35	2	24311-240100	O-RING, 1AP10A	1							

Remarks
(G) THESE PARTS ARE SOLD BY FIG.17,
REF.NO.1.

Fig.15. STARTING MOTOR

15.STARTING MOTOR



(A)=3TNE88-NSR

(B)=

(C)=

(D)=

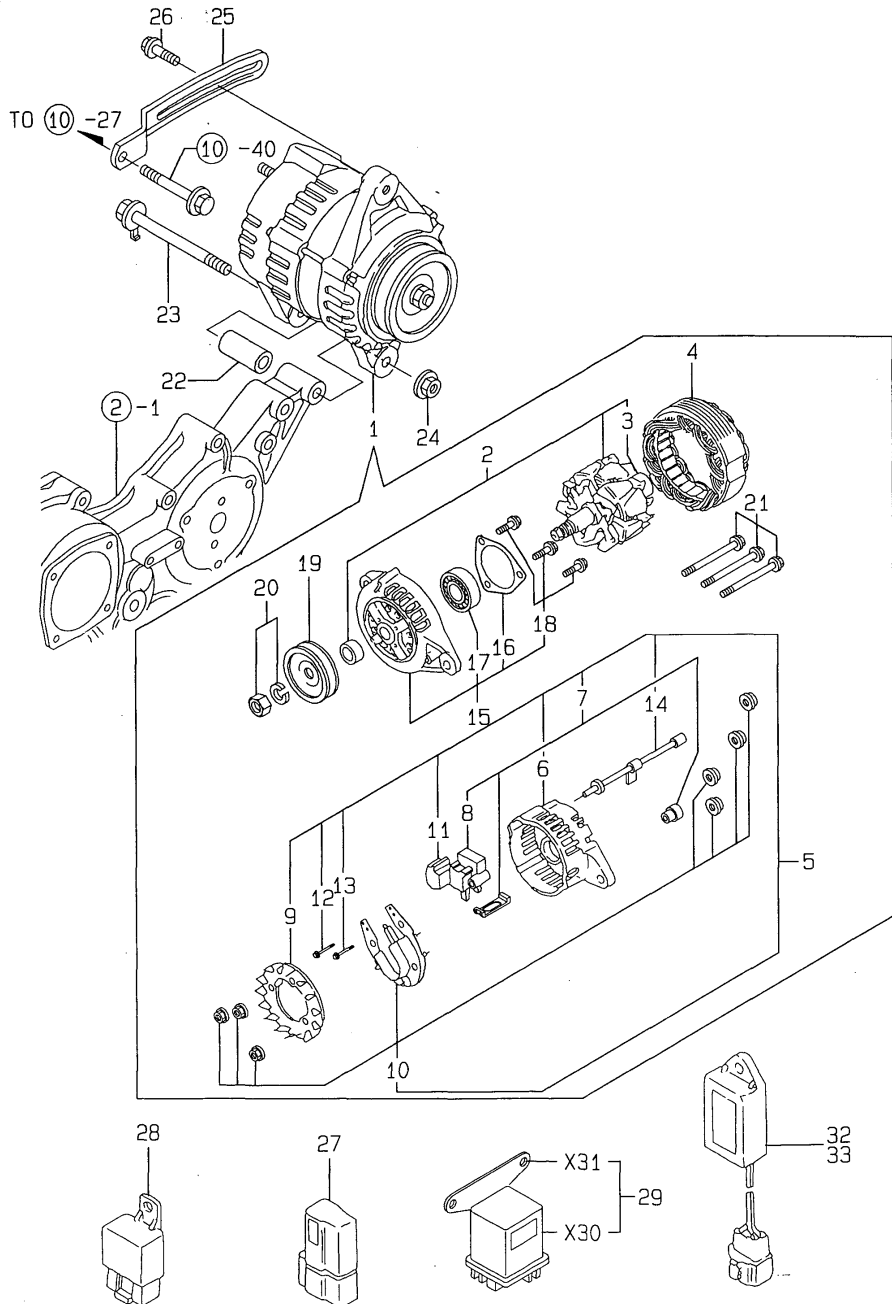
(E)=

(F)=

No.	Lev.	Parts No.	Description	Q'ty						I	R
				(A)	(B)	(C)	(D)	(E)	(F)		
1	1	129129-77010	STARTER ASSY	1							
2	2	X0283060061	ROLLER	5							
3	2	X0289030010	SCREW	2							
4	2	X9490561370	NUT	1							
5	2	X9491200240	BALL	1							
6	2	129129-77210	YOKE ASSY	1							
7	2	129129-77220	ARMATURE ASSY	1							
8	3	129129-77230	BEARING	1							
9	3	129129-77240	BEARING	1							
10	2	129129-77250	STARTER	1							
11	3	X0280210230	NUT	1							
12	3	X0283270140	RETAINER	1							
13	3	X9491703371	SPRING, COIL	1							
14	3	129129-77390	CLUTCH ASSY, STARTER	1							
17	3	129129-77400	SHAFT	1							
18	3	129129-77410	SPRING, COIL	1							
19	3	129129-77420	PINION	1							
20	3	129129-77430	RING	1							
21	2	129129-77260	RETAINER	1							
22	2	129129-77270	PINION	1							
23	2	129129-77280	HOUSING	1							
24	2	129129-77290	FRAME	1							
25	2	129129-77300	HOLDER ASSY	1							
26	3	X9491730461	SPRING	4							
27	2	129129-77310	SWITCH ASSY	1							
28	2	129129-77320	BOLT	2							
29	2	129129-77330	BOLT	2							
30	2	129129-77340	SPRING	1							
31	2	129129-77350	O-RING	2							
32	2	129129-77361	BUSH	1							
33	2	129129-77380	CAP	1							
35	1	26116-120252	BOLT, M12X 25 PLATED	2							
36	1	119643-77900	CONNECTOR, STARTER	1							

Fig.16. GENERATOR

16. GENERATOR



(A)=3TNE88-NSR

(B)=

(C)=

(D)=

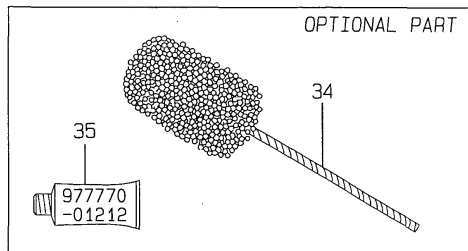
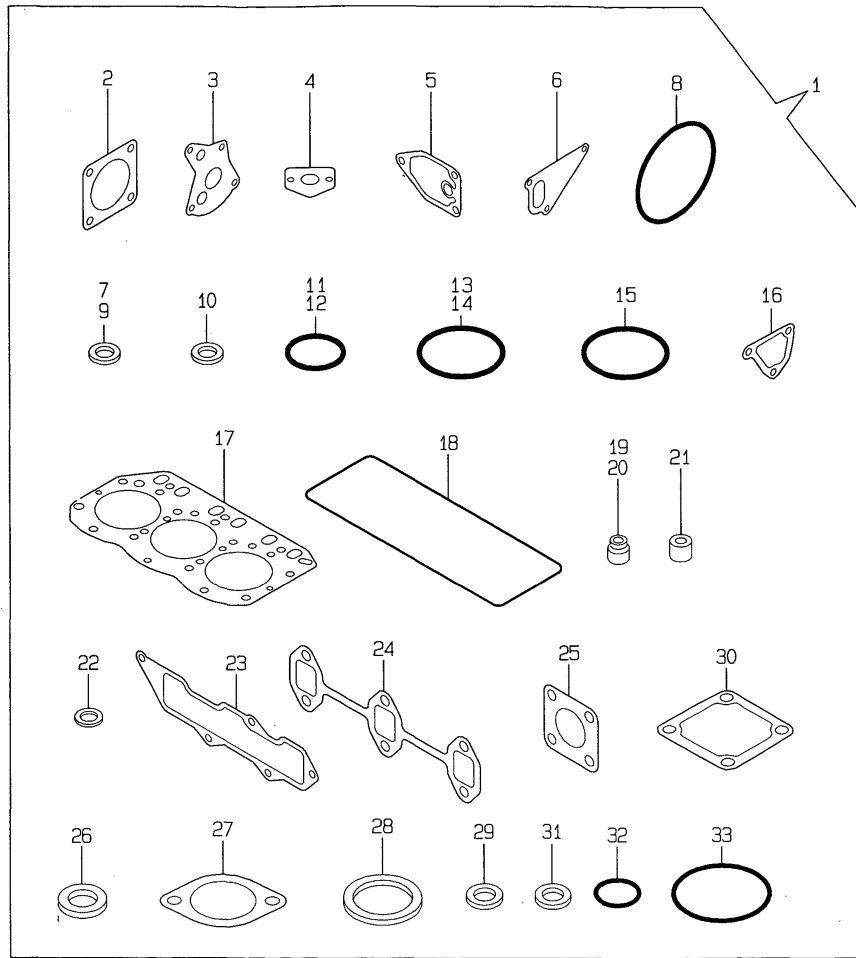
(E)=

(F)=

No.	Lev.	Parts No.	Description	Q'ty						I	R
				(A)	(B)	(C)	(D)	(E)	(F)		
1	1	119836-77200	GENERATOR	1							
2	2	119836-77700	ROTOR ASSY	1							
3	3	119836-77850	BALL BEARING	1							
4	2	119836-77710	STATOR ASSY	1							
5	2	119836-77721	COVER ASSY, REAR	1							
6	3	119836-77730	COVER, REAR	1							
7	3	119836-77741	BRUSH ASSY,REGULATOR	1							
8	4	119836-77750	BRUSH ASSY	1							
9	3	119836-77760	GUIDE, FAN SIDE	1							
10	3	119836-77770	DIODE ASSY	1							
11	3	119836-77780	CONDENSER	1							
12	3	119836-77871	BOLT (1)	1							
13	3	119836-77880	BOLT (2)	1							
14	3	119836-77890	WIRE ASSY, LEAD	1							
15	2	119836-77790	COVER ASSY, FRONT	1							
16	3	119836-77800	RETAINER, BEARING	1							
17	3	119836-77840	BALL BEARING	1							
18	3	119836-77860	SCREW KID	1							
19	2	119836-77810	PULLEY	1							
20	2	119836-77820	NUT ASSY, PULLEY	1							
21	2	119836-77830	BOLT, THROUGH	1							
22	1	119820-77340	PIECE, DISTANCE	1							
23	1	129136-77250	BOLT M 8X105	1							
24	1	26366-080002	NUT, M8	1							
25	1	129410-77330	ADJUSTER	1							
26	1	26014-080252	BOLT, M8X 25	1							
27	1	119643-66900	DIODE	2							
28	1	119247-77100	RELAY, SAFETY	1							
29	1	119650-77910	RELAY ASSY, GLOW	1							
32	1	119632-77920	TIMER	1							
33	1	128300-77920	TIMER	1							

Fig.17. GASKET SET

17. GASKET SET



(A)=3TNE88-NSR

(B)=

(C)=

(D)=

(E)=

(F)=

No.	Lev.	Parts No.	Description	Q'ty						I	R
				(A)	(B)	(C)	(D)	(E)	(F)		
1	1	729030-92620	GASKET SET	1							
2	2	124240-01883	GASKET	1							
3	2	129150-32020	GASKET, PUMP	1							
4	2	129150-35041	GASKET	1							
5	2	129150-35111	GASKET	1							
6	2	129100-42020	GASKET, WATER PUMP	1							
7	2	22190-080002	WASHER, SEAL 6	1							
8	2	121850-51960	O-RING	1							
9	2	23414-080000	GASKET, 8X1.0	2							
10	2	23414-100000	GASKET, 10X1.0	2							
11	2	24311-000160	O-RING, 1AP16.0	2							
12	2	24311-000160	O-RING, 1AP16.0	1							
13	2	24341-000240	O-RING, 1AS24.0	1							
14	2	24341-000250	O-RING, 1AS25.0	1							
15	2	24311-000320	O-RING, 1AP32.0	1							
16	2	129100-49840	GASKET	1							
17	2	129001-01340	GASKET, HEAD	1							
18	2	129001-11310	GASKET, BONNET	1							
19	2	121400-11340	SEAL, VALVE STEM	3							
20	2	124460-11340	SEAL, VALVE STEM	3							
21	2	119625-11871	PROTECTOR, NOZZLE	3							
22	2	119625-11880	SEAT, NOZZLE	3							
23	2	129001-12110	GASKET, MANIFOLD	1							
24	2	129150-13110	GASKET	1							
25	2	129400-13201	GASKET, SILENCER	1							
26	2	124465-44950	GASKET, 16	2							
27	2	129795-49551	GASKET	1							
28	2	129150-49811	GASKET, THERMOSTAT	1							
29	2	104200-59170	GASKET, 12	2							
30	2	129150-77511	GASKET	1							
31	2	23414-120000	GASKET, 12X1.0	2							
32	2	24311-000120	O-RING, 1AP12.0	3							
33	2	24311-000320	O-RING, 1AP32.0	1							
34	1	129400-92420	FLEX HORN	1							1
35	1	977770-01212	GASKET, LIQUID	1							1

Remarks

(1) OPTIONAL PART.

Parts No. Index

Parts No.	Fig. No.	Ref. No.
101304-59020	14	16
101720-55750	14	32
102103-55520	14	26
103854-39140	14	15
104200-55321	14	2
		22
104200-55330	14	3
		23
104200-55341	14	24
104200-55750	14	10
		33
104200-59170	14	18
	17	29
105025-59530	14	20
110250-55610	14	27
114250-53080	13	5
114250-53120	13	9
114250-53130	13	10
114250-53140	13	11
114250-53210	13	12
114250-53400	13	13
119247-77100	16	28
119259-44570	10	42
119305-59120	13	20
119620-01750	3	3
119625-11871	4	21
	17	21
119625-11880	4	22
	17	22
119625-11900	4	23
119632-77920	16	32
119643-66900	16	27
119643-77900	15	36
119650-77910	16	29
119653-77950	12	79
119660-61901	12	57
119810-51040	11	5
119820-77340	16	22
119836-77200	16	1
119836-77700	16	2
119836-77710	16	4
119836-77721	16	5
119836-77730	16	6
119836-77741	16	7
119836-77750	16	8
119836-77760	16	9
119836-77770	16	10
119836-77780	16	11
119836-77790	16	15
119836-77800	16	16

Parts No.	Fig. No.	Ref. No.
119836-77810	16	19
119836-77820	16	20
119836-77830	16	21
119836-77840	16	17
119836-77850	16	3
119836-77860	16	18
119836-77871	16	12
119836-77880	16	13
119836-77890	16	14
119840-59560	13	31
119840-59570	13	32
119865-21600	8	14
120130-11860	4	7
121023-01550	2	26
121111-21501	8	11
121250-44901	10	59
121250-59550	13	30
121252-39450	9	33
121254-55510	14	25
121256-44600	10	58
121257-55720	14	30
121257-55731	14	31
121400-11340	4	18
	17	19
121400-12540	5	19
121400-12570	5	21
121420-12511	5	10
121420-12540	5	13
121420-12550	5	14
121420-12561	5	15
121422-12530	5	12
121422-12570	5	16
121422-12580	5	17
121450-01560	2	5
121450-42450	10	23
121520-34810	9	17
121550-23200	8	27
121550-49111	10	20
121850-11860	10	1
121850-21680	8	10
121850-51960	2	11
	17	8
121850-55710	14	29
121850-55800	14	21
121855-12060	5	8
122117-51560	11	48
122710-51090	11	8
124066-59100	13	29
124160-01751	2	6
	4	41

Parts No.	Fig. No.	Ref. No.
124160-01910	1	4
124160-11360	4	40
124160-39140	9	28
124240-01871	2	7
124240-01883	2	8
	17	2
124450-44510	10	51
124450-44530	10	53
124450-44550	10	56
124450-44560	10	54
124460-11340	4	19
	17	20
124465-44950	10	24
		60
	17	26
124550-51350	11	30
124550-51370	11	31
124550-59820	9	34
124550-66370	12	59
124701-11911	6	14
124736-07900	4	2
124766-59050	13	28
	14	17
124770-11770	10	28
124950-51190	11	15
128300-77920	16	33
129001-01340	1	21
	17	17
129001-02800	1	14
129001-11310	4	44
	17	18
129001-11340	4	45
129001-11350	4	42
129001-11700	4	4
129001-12110	5	1
	17	23
129001-12120	5	2
129001-21000	8	1
129001-22081	8	15
129001-22500	8	17
129001-22901	8	30
129001-22950	8	32
129001-32001	9	1
129001-35300	9	24
129002-59810	13	25
129002-59820	13	26
129002-59831	13	27
129030-12550	5	22
129030-12560	5	23
129030-13510	6	8

Parts No.	Fig. No.	Ref. No.
129030-13540	6	9
129030-13650	6	10
129030-21590	8	12
129052-55620	14	1
129052-61050	12	4
129052-61060	12	5
129052-61070	12	6
129052-61390	12	31
129052-61500	12	32
129052-61540	12	47
129100-01580	3	1
		14
	8	2
129100-01640	3	15
129100-01730	3	6
129100-01760	3	7
129100-11100	4	13
129100-11110	4	14
129100-11240	4	24
129100-11650	4	31
129100-13110	6	1
129100-23910	8	26
129100-25061	7	8
129100-35301	9	19
129100-42002	10	2
129100-42020	10	13
	17	6
129100-49800	10	27
129100-49820	10	30
129100-49830	10	31
129100-49840	10	36
	17	16
129100-52100	11	93
129100-55650	14	4
129100-55670	14	6
129100-55680	14	7
129100-55690	14	8
129100-55700	14	9
129100-59951	13	35
129100-61400	12	17
129100-61440	12	76
129100-61650	12	77
129102-53000	13	2
129111-13670	6	12
129111-13680	6	13
129120-44741	10	17
129120-77501	5	5
129129-14580	7	3
129129-77010	15	1
129129-77210	15	6

Parts No. Index

Parts No.	Fig. No.	Ref. No.
129129-77220	15	7
129129-77230	15	8
129129-77240	15	9
129129-77250	15	10
129129-77260	15	21
129129-77270	15	22
129129-77280	15	23
129129-77290	15	24
129129-77300	15	25
129129-77310	15	27
129129-77320	15	28
129129-77330	15	29
129129-77340	15	30
129129-77350	15	31
129129-77361	15	32
129129-77380	15	33
129129-77390	15	14
129129-77400	15	17
129129-77410	15	18
129129-77420	15	19
129129-77430	15	20
129130-13660	6	11
129132-49050	10	21
129132-61550	12	82
129136-77250	16	23
129150-01200	1	20
129150-02020	1	6
129150-02450	7	4
129150-02870	1	25
129150-02930	1	17
129150-02940	1	22
129150-03100	2	10
129150-11230	4	32
129150-11280	4	27
129150-11290	4	28
129150-11370	4	20
129150-11750	4	34
129150-11810	4	9
129150-13110	6	2
	17	24
129150-14101	7	6
129150-14200	7	1
129150-14400	7	2
129150-21200	8	4
129150-23600	8	28
129150-23610	8	36
129150-25101	7	9
129150-25900	7	14
129150-25920	7	12
129150-32020	9	14

Parts No.	Fig. No.	Ref. No.
129150-32020	17	3
129150-35041	9	18
	17	4
129150-35101	9	21
129150-35111	9	22
	17	5
129150-35151	9	23
129150-35350	9	25
129150-39450	9	29
129150-49080	10	46
129150-49100	10	45
129150-49811	10	35
	17	28
129150-59131	13	23
129150-59580	13	33
129150-77511	5	6
	17	30
129155-11260	4	25
129155-11270	4	26
129155-42350	10	16
129155-49800	10	34
129155-51020	11	4
129155-51050	11	6
129155-51060	11	7
129155-51140	11	12
129155-51180	11	14
129155-51200	11	16
129155-51270	11	23
129155-51280	11	24
	12	2
129155-51320	11	28
129155-51340	11	29
129155-51370	11	32
129155-51380	11	33
129155-51390	11	34
129155-51400	11	35
129155-51410	11	36
129155-51420	11	37
129155-51450	11	38
129155-51500	11	43
129155-51521	11	44
129155-51530	11	45
129155-51540	11	46
129155-51550	11	47
129155-51570	11	50
129155-51580	11	51
129155-51591	11	52
129155-51600	11	53
129155-51700	11	72
129155-51710	11	73

Parts No.	Fig. No.	Ref. No.
129155-51750	11	74
129155-51760	11	75
129155-51790	11	76
129155-51930	11	78
129155-51940	11	79
129155-52050	11	92
129155-61120	12	7
129155-61130	12	8
129155-61140	12	9
129155-61201	12	10
129155-61341	12	14
129155-61350	12	15
129155-61360	12	16
129155-61430	12	20
129155-61450	12	24
129155-61460	12	25
129155-61470	12	81
129155-61480	12	26
129155-61830	12	56
129155-61950	12	58
129156-51910	11	77
129202-22300	8	21
129255-59580	13	34
129350-49530	10	25
129400-01520	2	4
129400-13201	6	7
	17	25
129400-92420	17	34
129410-77330	16	25
129420-44500	10	41
129420-44560	10	57
129489-61700	12	78
129505-51300	11	25
129506-51100	11	9
129555-59510	14	19
129795-01780	3	17
129795-01800	2	3
129795-01950	2	9
129795-02411	1	13
129795-11120	4	15
129795-11180	4	16
129795-21661	8	9
129795-49551	10	26
	17	27
158552-61900	12	67 -1
171031-11741	2	24
171051-01921	1	5
171061-12500	5	9
171061-12520	5	11
171061-12800	5	18

Parts No.	Fig. No.	Ref. No.
171301-01600	3	2
171301-01640	3	8
171340-21650	8	8
171350-03090	4	1
171351-12570	5	26
171351-12580	5	24
171353-44760	10	18
171420-34820	9	16
171420-49010	10	43
171420-49020	10	44
174307-51170	11	13
174307-51560	11	49
174307-51700	12	33
194990-22050	6	3
22117-040000	12	60
22190-060002	12	61
22190-080002	2	22
		23
	17	7
22190-100002	12	62
22190-120002	12	63
22190-160002	11	89
22217-050000	11	87
22217-060000	11	80
22217-120000	7	15
22252-000260	8	22
22287-120000	12	64
22351-040010	8	7
22351-050010	11	81
22351-060012	4	38
22372-040000	12	65
22512-070140	7	7
	8	5
23000-016000	10	22
23010-038000	10	50
23061-070230	10	55
23414-080000	9	35
	17	9
23414-100000	9	36
	17	10
23414-120000	13	43
	17	31
23418-060000	14	34
23871-010000	1	9
23871-030000	10	12
		32
23887-100002	12	66
24101-063034	11	82
24311-000120	4	47
	17	32

Parts No. Index

Parts No.	Fig. No.	Ref. No.
24311-000160	2	12
	9	26
	14	11
	17	11
		12
24311-000320	2	13
		25
	4	46
	17	15
	33	
24311-240100	14	12
		35
24321-000650	14	13
24341-000160	11	83
24341-000240	2	27
	17	13
24341-000250	3	10
	17	14
24341-000280	12	67
25132-003800	10	15
26014-080252	16	26
26014-080702	14	14
26022-050102	11	84
26022-060162	11	85
	12	68
		69
		70
26106-060122	2	28
26106-060142	12	71
26106-060202	12	72
26106-060352	10	19
26106-080122	2	14
26106-080142	4	3
26106-080162	2	15
		16
	3	11
	7	17
26106-080202	2	17
	5	3
	9	27
	10	37
26106-080252	3	12
	4	36
	10	38
26106-080302	3	18
26106-080352	5	7
	9	20
26106-080452	2	18
		13
	3	13

Parts No.	Fig. No.	Ref. No.
26106-080452	7	13
	3	19
26106-080502	4	37
	5	4
		10
	10	39
		40
26106-080552	2	19
26106-080602	10	14
		40
26106-080802	6	4
26106-080852	2	20
26116-050302	11	86
26116-060162	10	33
26116-120252	15	35
26206-100252	3	4
26206-100302	3	5
26216-060202	4	11
26216-080222	6	5
26216-080802	6	6
26226-080182	4	35
26366-060002	4	39
26366-080002	2	21
		12
	16	24
26450-060252	9	15
26687-120002	12	80
26716-060002	11	88
26716-120002	7	16
26756-060002	12	73
26776-120002	12	74
27231-500000	1	10
27241-120000	1	11
27241-300000	1	12
27241-400000	4	12
27310-080001	4	17
719810-01500	2	1
729001-01560	1	1
729030-92620	17	1
729031-51370	11	1
729102-53100	13	1
729402-23100	8	23
977770-01212	17	35
X0280210230	15	11
X0283060061	15	2
X0283270140	15	12
X0289030010	15	3
X9490561370	15	4
X9491200240	15	5
X9491703371	15	13
X9491730461	15	26

Parts No.	Fig. No.	Ref. No.
-----------	----------	----------

Parts No.	Fig. No.	Ref. No.
-----------	----------	----------