

OCR10-M45401EN

# PREFACE

1. This Parts Catalog carries all parts incorporated in YANMAR Model 3TNE88-SA, 3TNE88-G1A & 3TNE88C-G1A engines.

2. Parts catalog history

	Parts catalog No.	Model	Published	Remarks
1st edition	000Y00R4540	3TNE88-SA,G1A	1995/5	Disuse old edition
1st revised	000Y00R4541	3TNE88-SA,G1A 3TNE88C-G1A	2001/7	

3. Model name

Column	Model name	Manufactured	E/#
(A)	3TNE88-SA	1995/4~	02650~
(B)	3TNE88-G1A	1995/4~	02619~
(C)	3TNE88C-G1A	1996/1~	00101~

4. Each illustration corresponds to the parts list on the following page.

5. When ordering parts, clearly write down the engine model and serial number, as well as the name and number of each part in your order sheet. This will help insure reliable delivery of the parts you have ordered.

## Directions for the Parts Catalog.

1. This Parts Catalog shows both standard and optional parts.
2. Parts may change without prior notice.
3. The following is an example of the Parts Catalog format.

REF.	LEV.	PARTS NO.	DESCRIPTION	Q'TY						I	R
				(A)	(B)	(C)	(D)	(E)	(F)		
1	1	729595-51390	FUEL INJECTION PUMP	1	1	1	1	1			1
1-1	1	729595-51391	FUEL INJECTION PUMP	1	1	1	1	1		N	1
		(A=E00185) (B=E00200)									
3	2	26022-060162	SCREW M 6X 16	9	9	9	9	9			
3-1	2	26022-060162	SCREW M 6X 16	4	4	4	4	4		K	
		(A=E00156) (B=E00156) (C=E00156) (D=E00156) (E=E00156)									
4	2	129470-51040	CAMSHAFT	1	1	1	1	1			
5	2	122710-51050	BEARING, ROLLER	2	2	2	2	2			
6	2	129470-51060	RETAINER	1	1	1	1	1			

Remarks
(1) BOOST COMPEMSATOR TYPE. OPTIONAL PART, TO E00155,(4JH-DT, 4JH-DTZ

### ① Ref. No.

The Ref. No. listed may not be in accordance with the illustration Ref. No.

(Ex.) Illustration No.

List Ref No.

1

1

(Before change)

1-1

(After change)

For interchangeable symbols N, R and K, illustrations for new parts may be abbreviated.

### ② Lev. (Level)

Level indication

The numbers below indicate the level of relativity towards the main part.

1 ----- Main parts (Assembly parts)

2 ----- Sub component included in " 1 ".

3 ----- Sub component included in " 2 ".

Note) Parts that are not for sale are partially illustrated but not listed.

### ③ Interchangeability Symbol

When a part change takes place, one of the following interchangeability symbols is indicated beside the part.

Symbol	Interchangeability	Contents note
N	Old $\begin{matrix} \leftarrow \text{Yes} \\ \text{No} \rightarrow \end{matrix}$ New	New Part is interchangeable for Old Part but Old Part is not interchangeable for New Part.
Q	Old $\begin{matrix} \leftarrow \text{No} \\ \text{Yes} \rightarrow \end{matrix}$ New	New Part is not interchangeable for Old Part but Old Part is interchangeable for New Part.
R	Old $\begin{matrix} \leftarrow \text{Yes} \\ \text{Yes} \rightarrow \end{matrix}$ New	New/ Old Parts are both interchangeable.
S	Old $\begin{matrix} \leftarrow \text{No} \\ \text{No} \rightarrow \end{matrix}$ New	New/ Old Parts are both not interchangeable.
W		Part newly added.
Z		Part discontinued.
F		Not interchangeable by a single part but interchangeable together with related parts.
K		Changes only for used parts quantities.

### ④ Effective Machine No.

When a part changes, the effective Machine No. will be indicated in the (A)-(F) column.

Product Symbol	Product No.	Product Symbol	Product No.
C	Clutch No. Compressor No.	F	Machine No. (Agricultural Equip.)
D	Drive No.	M	Machine No.
E	Engine No.		

Note 1) A date may follow the symbol. (Ex.) 1996.01

Note 2) "XXXXX" and "ZZZZZ" are for parts that could not be predicted or for engine models that could not be identified.

Note 3) (A=E00185) is the E (Engine Serial Number) for the column (A) model (in this case 4JH-DT) after the parts design change.

### ⑤ Remarks

Figures or alphabets (symbols) are entered in the remarks column.

The comments (remarks) on parts that are indicated at the bottom of the illustration are the same symbols as those stated above.

# Contents

Fig. No.    Fig. Name

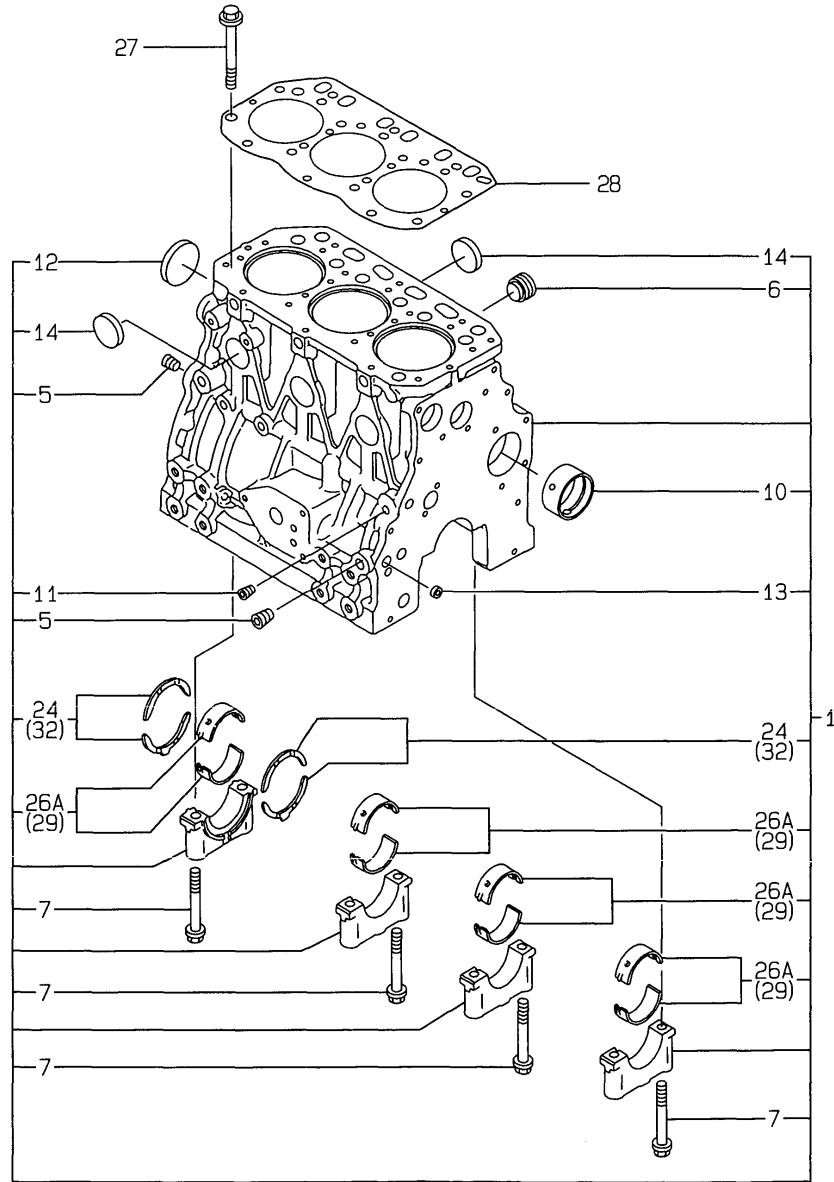
3TNE88(C)-SA,G1A

1. CYLINDER BLOCK
2. GEAR HOUSING
3. FLYWHEEL HOUSING & OIL SUMP
4. CYLINDER HEAD & BONNET
5. SUCTION MANIFOLD & AIR CLEANER
6. EXHAUST MANIFOLD & SILENCER
7. CAMSHAFT & DRIVING GEAR
8. CRANKSHAFT & PISTON
9. LUB.OIL SYSTEM
10. COOLING WATER SYSTEM
11. RADIATOR
12. FUEL INJECTION PUMP
13. GOVERNOR
14. FUEL INJECTION VALVE
15. FUEL FILTER
16. ENGINE CONTROL DEVICE
17. STARTING MOTOR(STANDARD)
18. STARTING MOTOR(COLD DISTRICT)
19. GENERATOR
20. PANEL
21. GASKET SET
22. STARTING MOTOR

Fig. No.    Fig. Name

# Fig.1. CYLINDER BLOCK

## 1. CYLINDER BLOCK



(A)=3TNE88-SA  
(B)=3TNE88-G1A  
(C)=3TNE88C-G1A

(D)=  
(E)=  
(F)=

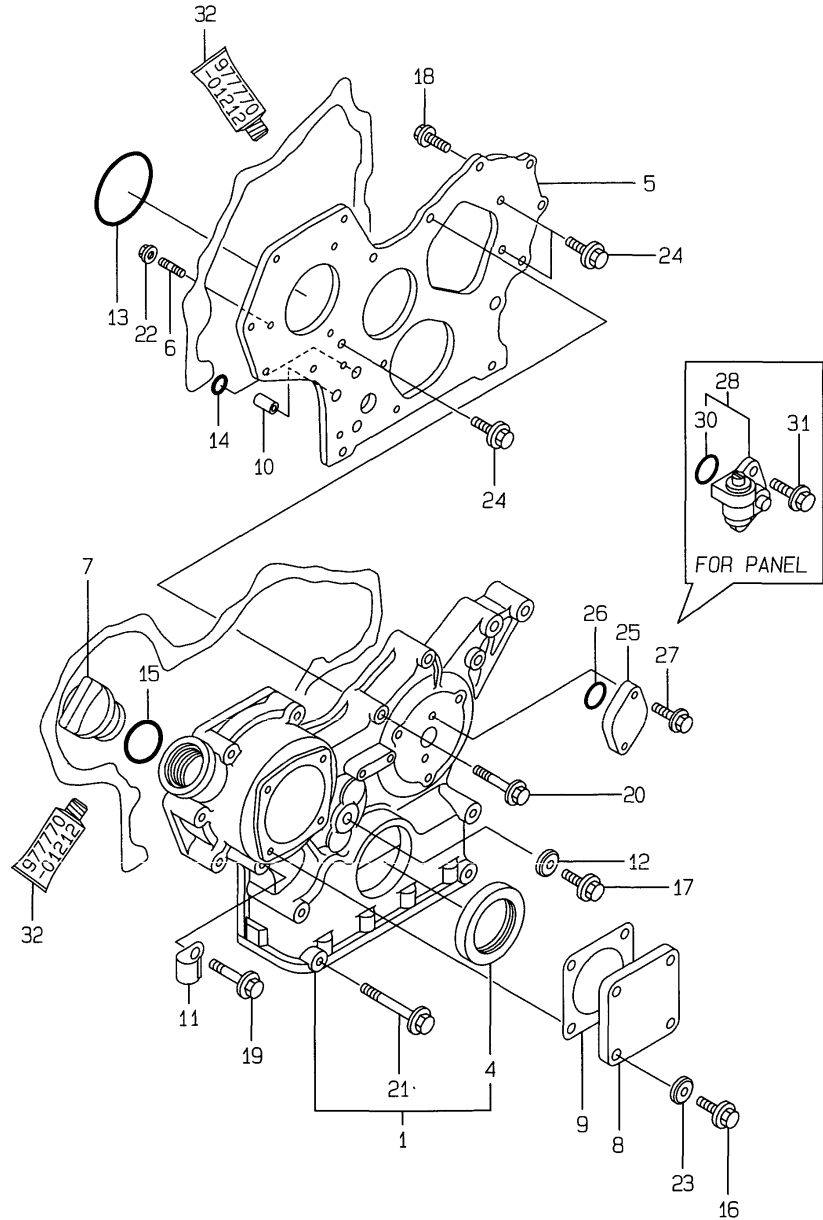
No.	Lev.	Parts No.	Description	Qty						I	R
				(A)	(B)	(C)	(D)	(E)	(F)		
1	1	729001-01560	BLOCK ASSY, CYLINDER	1	1	1					
5	2	124160-01910	PLUG, PT1/4	3	3	3					
6	2	171051-01921	PLUG, NPTF1	1	1	1					
7	2	129150-02020	BOLT, METAL CAP	8	8	8					
10	2	129795-02411	BUSH, CAMSHAFT	1	1	1					
11	2	23871-010000	PLUG, R01	1	1	1					
11-1	2	23876-010000	PLUG, R01	1	1	1					N
		(A=EXXX) (B=EXXX) (C=EXXX)									
12	2	27231-500000	PLUG 50	1	1	1					
12-1	2	129001-01250	PLUG, 50	1	1	1					N
		(A=EXXX) (B=EXXX) (C=EXXX)									
13	2	27241-120000	PLUG, 12	2	2	2					
14	2	27241-300000	PLUG 30	6	6	6					
24	2	129150-02930	BEARING, THRUST	2	2	2					
26A	2	129001-02930	BEARING, MAIN	4	4	4					W 3
		(A=EXXX) (B=EXXX)									
27	1	129150-01200	BOLT, HEAD	14	14	14					
28	1	129001-01340	GASKET, HEAD	1	1	1					
29	1	129150-02870	BEARING, 0.25 US	4	4	4					1
32	1	129150-02940	BEARING, THRUST 0.25	1	1	1					2

Remarks

- (1) UNDER-SIZE(U.S=0.25)PART.
- (2) OVER-SIZE(O.S=0.25)PART.
- (3) REPAIR PART.

Fig.2. GEAR HOUSING

2.GEAR HOUSING



(A)=3TNE88-SA  
(B)=3TNE88-G1A  
(C)=3TNE88C-G1A

(D)=  
(E)=  
(F)=

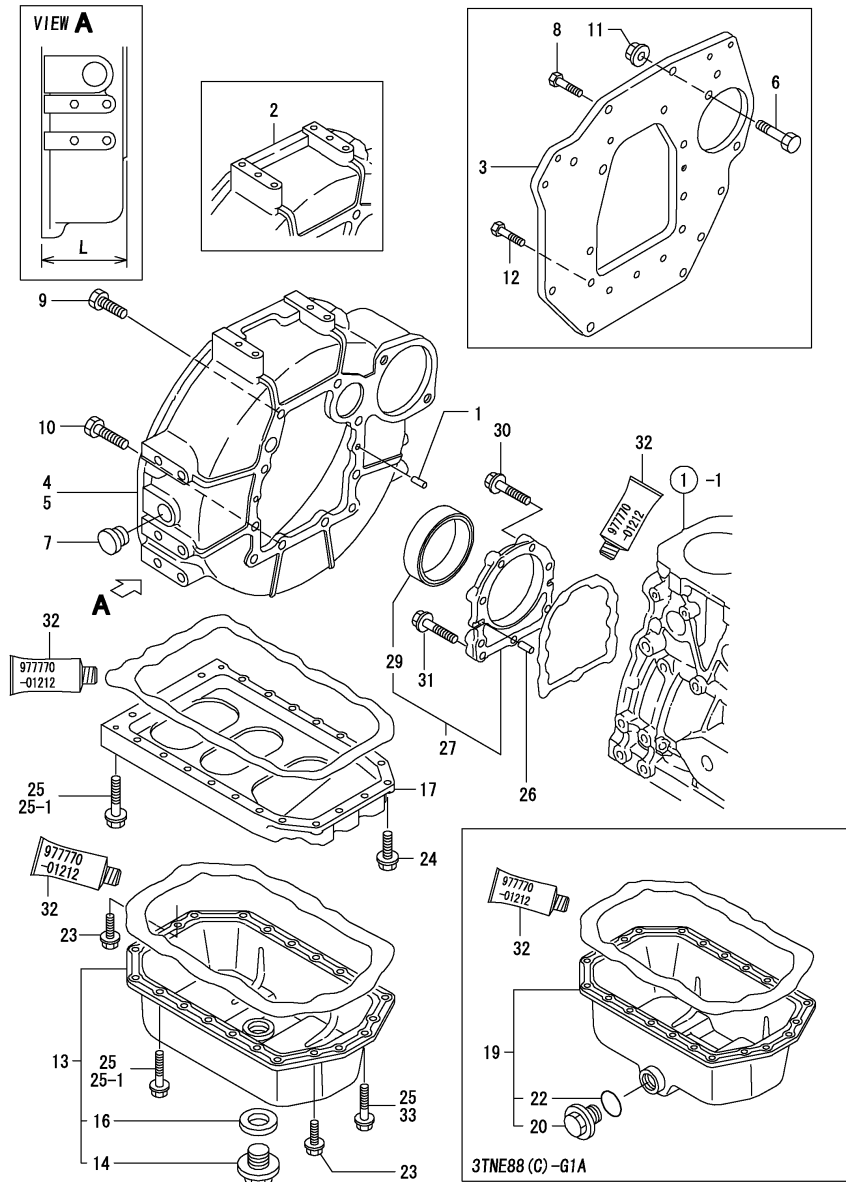
No.	Lev.	Parts No.	Description	Qty						I	R
				(A)	(B)	(C)	(D)	(E)	(F)		
1	1	719810-01500	CASE ASSY, GEAR	1	1	1					
4	2	129795-01800	SEAL, OIL	1	1	1					
5	1	129400-01520	FLANGE, GEAR CASE	1	1	1					
6	1	121450-01560	STUD, M8X22	3	3	3					
7	1	124160-01751	COVER, FILLER	1	1	1					
8	1	124240-01871	COVER	1	1	1					
9	1	124240-01883	GASKET	1	1	1					
10	1	129795-01950	PIPE, KNOCK L=18	2	2	2					
11	1	129150-03100	RETAINER, PIPE	1	1	1					
12	1	22190-080002	WASHER, SEAL 6	1	1	1					
13	1	121850-51960	O-RING	1	1	1					
14	1	24311-000160	O-RING, 1AP16.0	2	2	2					
15	1	24311-000320	O-RING, 1AP32.0	1	1	1					
16	1	26106-080122	BOLT, M8X 12 PLATED	4	4	4					
17	1	26106-080162	BOLT, M8X 16 PLATED	1	1	1					
18	1	26106-080202	BOLT, M8X 20 PLATED	2	2	2					
19	1	26106-080452	BOLT, M8X 45 PLATED	6	6	6					
20	1	26106-080552	BOLT, M8X 55 PLATED	3	3	3					
21	1	26106-080852	BOLT, M8X 85 PLATED	4	4	4					
21-1	1	129001-91840	BOLT, M8X85	4	4	4					R
		(A=E06948) (B=E06847) (C=E00178)									
22	1	26366-080002	NUT, M8	3	3	3					
22-1	1	26306-080002	NUT, M8	3	3	3					N
		(A=E0000) (B=E0000) (C=E0000)									
23	1	22190-080002	WASHER, SEAL 6	4	4	4					
24	1	26106-080162	BOLT, M8X 16 PLATED	3	3	3					
25	1	121023-01550	COVER	1	1	1					
26	1	24341-000240	O-RING, 1AS24.0	1	1	1					
27	1	26106-060122	BOLT, M6X 12 PLATED	2	2	2					
27-1	1	26106-060162	BOLT, M6X 16 PLATED	2	2	2					N
		(A=E0000) (B=E0000)									
28	1	129150-91400	GEAR	1	1	1					1
30	2	24341-000240	O-RING, 1AS24.0	1	1	1					1
31	1	26106-060162	BOLT, M6X 16 PLATED	2	2	2					1
32	1	977770-01212	GASKET, LIQUID	1	1	1					W 2
		(A=E0000) (B=E0000)									

Remarks  
(1) FOR PANEL.  
(2) OPTIONAL PART.

Fig.3. FLYWHEEL HOUSING & OIL SUMP

(A)=3TNE88-SA  
 (B)=3TNE88-G1A  
 (C)=3TNE88C-G1A

(D)=  
 (E)=  
 (F)=

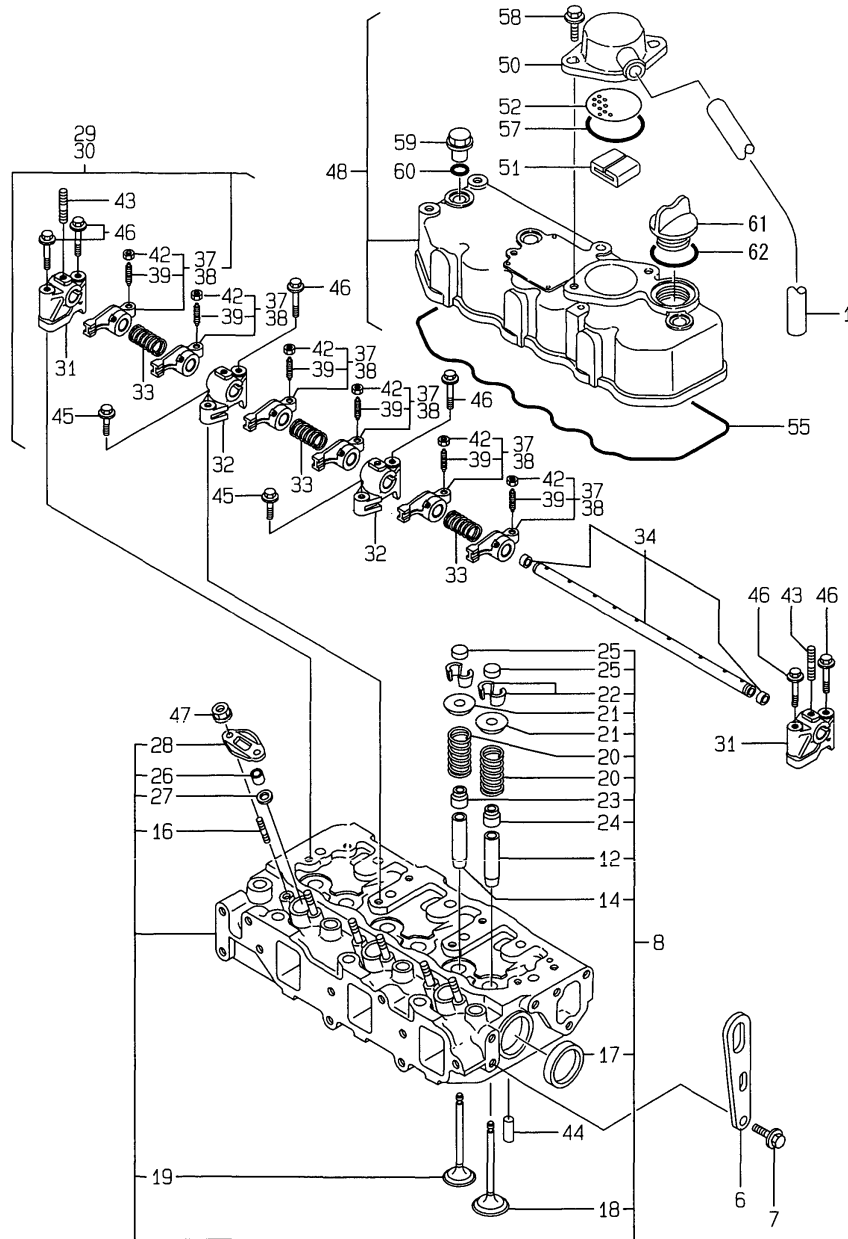


No.	Lev.	Parts No.	Description	Q'ty						I	R
				(A)	(B)	(C)	(D)	(E)	(F)		
1	1	129100-01580	PIN, M8X16	2	2	2					
2	1	119888-01600	HOUSING, FLYWHEEL	1							
3	1	129129-01600	FLANGE, MOUNTING	1							
4	1	171301-01600	HOUSING, FLYWHEEL	1							1
4-1	1	129612-01600	HOUSING, FLYWHEEL	1							N 1
(A=E05144)											
5	1	171420-01600	HOUSING, FLYWHEEL	1	1	1					2
6	1	121476-01620	BOLT	2							
7	1	119620-01750	CAP	1	1	1					
8	1	26206-100202	BOLT, M10X 20 PLATED	6							
9	1	26206-100252	BOLT, M10X 25 PLATED	6	6	6					
10	1	26206-100302	BOLT, M10X 30 PLATED	4	4	4					
11	1	26367-120002	NUT, M12	2							
12	1	26206-100252	BOLT, M10X 25 PLATED	4							
13	1	729102-01540	SUMP ASSY, OIL	1							
14	2	119640-01640	PLUG, DRAIN M22	1							
16	2	22190-220002	WASHER, SEAL 22	1							
17	1	129100-01730	SPACER, OIL SUMP	1	1	1					
19	1	129100-01760	SUMP ASSY, OIL		1	1					
20	2	171301-01640	PLUG, 22		1	1					
22	2	24341-000250	O-RING, 1AS25.0		1	1					
23	1	26106-080162	BOLT, M8X 16 PLATED	4	4	4					
24	1	26106-080252	BOLT, M8X 25 PLATED	2	2	2					
25	1	26106-080452	BOLT, M8X 45 PLATED	20	20	20					
25-1	1	26106-080452	BOLT, M8X 45 PLATED	16	16	16					K
(A=FROM 1ST) (B=FROM 1ST) (C=FROM 1ST)											
26	1	129100-01580	PIN, M8X16	2	2	2					
27	1	129100-01640	CASE ASSY, OIL SEAL	1	1	1					
29	2	129795-01780	SEAL, OIL	1	1	1					
30	1	26106-080302	BOLT, M8X 30 PLATED	6	6	6					
30-1	1	129486-01670	BOLT, M8X30	6	6	6					R
(A=E05144) (B=E05425) (C=E00119)											
31	1	26106-080352	BOLT, M8X 35 PLATED	3	3	3					
32	1	97770-01212	GASKET, LIQUID	1	1	1					W 3
(A=E05144) (B=E05425) (C=E00119)											
33	1	26106-080502	BOLT, M8X 50 PLATED	4	4	4					W
(A=FROM 1ST) (B=FROM 1ST) (C=FROM 1ST)											

Remarks  
 (1) L= 80M/M.  
 (2) L= 105M/M.  
 (3) OPTIONAL PART.

Fig.4. CYLINDER HEAD & BONNET

4. CYLINDER HEAD & BONNET



(A)=3TNE88-SA  
(B)=3TNE88-G1A  
(C)=3TNE88C-G1A

(D)=  
(E)=  
(F)=

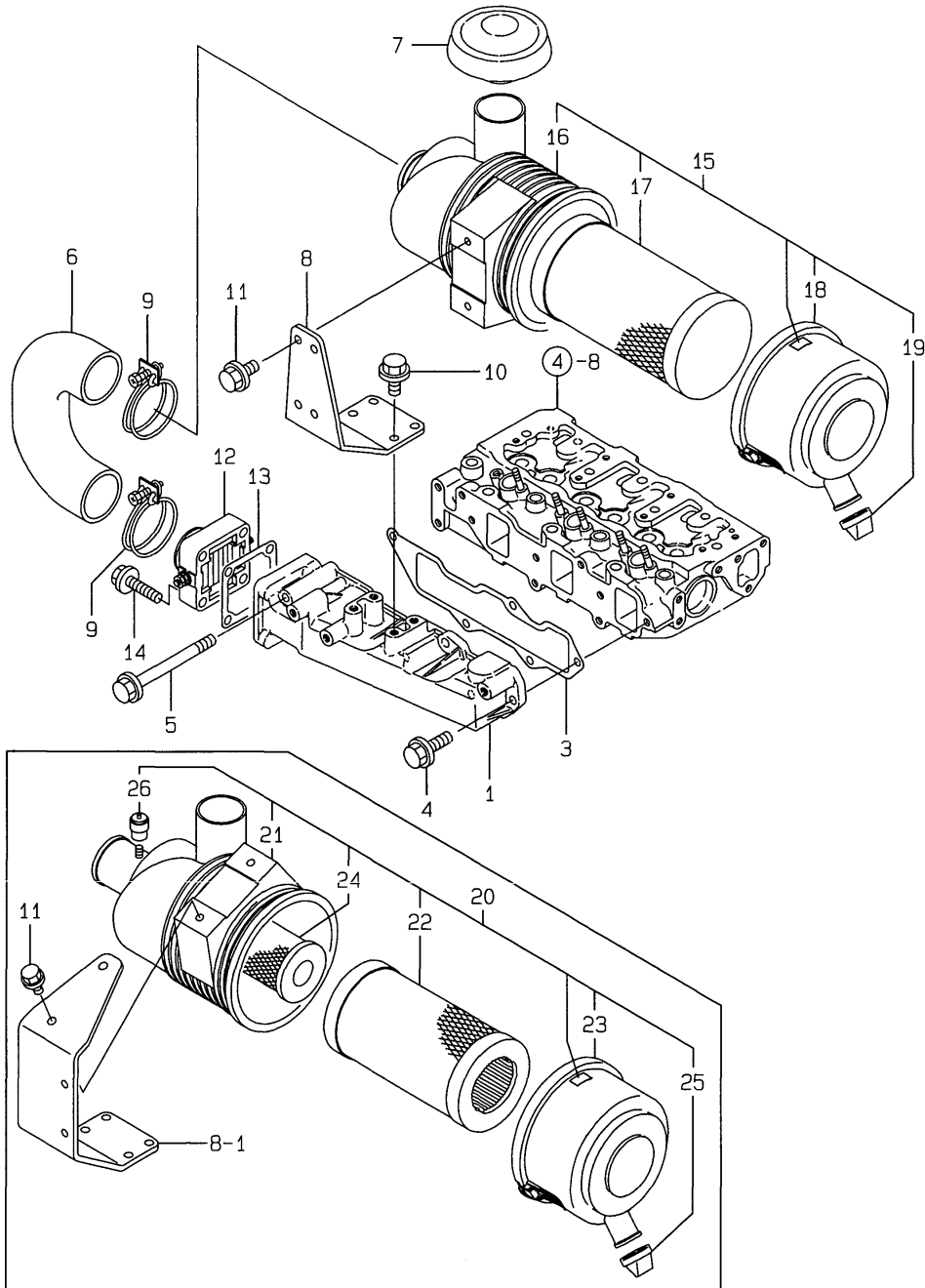
No.	Lev.	Parts No.	Description	Q'ty						I	R
				(A)	(B)	(C)	(D)	(E)	(F)		
1	1	171350-03090	PIPE , BREATHER 900	1	1	1					
6	1	124736-07900	LIFTER	2	2	2					
7	1	26106-080142	BOLT, M8X 14 PLATED	4	4	4					
8	1	129001-11700	HEAD ASSY, CYLINDER	1	1	1					
12	2	120130-11860	GUIDE, VALVE	3	3	3					1
14	2	129150-11810	GUIDE, VALVE	3	3	3					1
16	2	26216-060202	STUD, M6X 20	6	6	6					
17	2	27241-400000	PLUG, 40	2	2	2					
18	2	129100-11100	VALVE, INTAKE	3	3	3					
19	2	129100-11110	VALVE, EXHAUST	3	3	3					
20	2	129795-11120	SPRING, VALVE	6	6	6					
21	2	129795-11180	RETAINER, SPRING	6	6	6					
22	2	27310-080000	COTTER 8	6	6	6					
23	2	121400-11340	SEAL, VALVE STEM	3	3	3					
24	2	124460-11340	SEAL, VALVE STEM	3	3	3					
25	2	129150-11370	CAP, VALVE	6	6	6					
26	2	119625-11871	PROTECTOR, NOZZLE	3	3	3					
26-1	2	119625-11870	PROTECTOR, NOZZLE	3	3	3					N
				(A=EXXX)	(B=EXXX)	(C=EXXX)					
27	2	119625-11880	SEAT, NOZZLE	3	3	3					
28	2	119625-11900	RETAINER, NOZZLE	3	3	3					
29	1	129155-11241	SHAFT ASSY, ROCKER	1							
30	1	129100-11240	SHAFT ASSY, ROCKER		1	1					
31	2	129155-11260	SUPPORT, ROCKER ARM	2	2	2					
32	2	129155-11270	SUPPORT, ROCKER ARM	2	2	2					
33	2	129150-11280	SPRING	3	3	3					
34	2	129150-11290	SHAFT, ROCKER ARM	1	1	1					
37	2	729402-11650	ARM ASSY, ROCKER	6							
38	2	129100-11650	ARM, ROCKER		6	6					
39	3	129150-11230	SCREW, VALVE ADJUST	6	6	6					
42	3	129150-11750	NUT, M8	6	6	6					
43	2	26226-080182	STUD, M8X 18	3	3	3					
44	1	22351-060012	PIN, SPRING 6.0X12	2	2	2					
45	1	26106-080252	BOLT, M8X 25 PLATED	2	2	2					
46	1	26106-080502	BOLT, M8X 50 PLATED	6	6	6					
47	1	26366-060002	NUT, M6	6	6	6					
48	1	129100-11350	BONNET ASSY, HEAD	1	1	1					
50	2	129150-03020	COVER, BREATHER	1	1	1					
51	2	129150-03070	BAFFLE, BREATHER	1	1	1					
52	2	129150-03080	PLATE, BAFFLE	1	1	1					
55	2	129150-11310	GASKET, BONNET	1	1	1					
57	2	24341-000500	O-RING, 1AS50.0	1	1	1					
58	2	26106-080162	BOLT, M8X 16 PLATED	2	2	2					
59	1	124160-11360	KNOB	3	3	3					
60	1	24311-000120	O-RING, 1AP12.0	3	3	3					
61	1	124160-01751	COVER, FILLER	1	1	1					
62	1	24311-000320	O-RING, 1AP32.0	1	1	1					

Remarks  
(1) REPAIR PART.



Fig.5. SUCTION MANIFOLD & AIR CLEANER

5. SUCTION MANIFOLD & AIR CLEANER



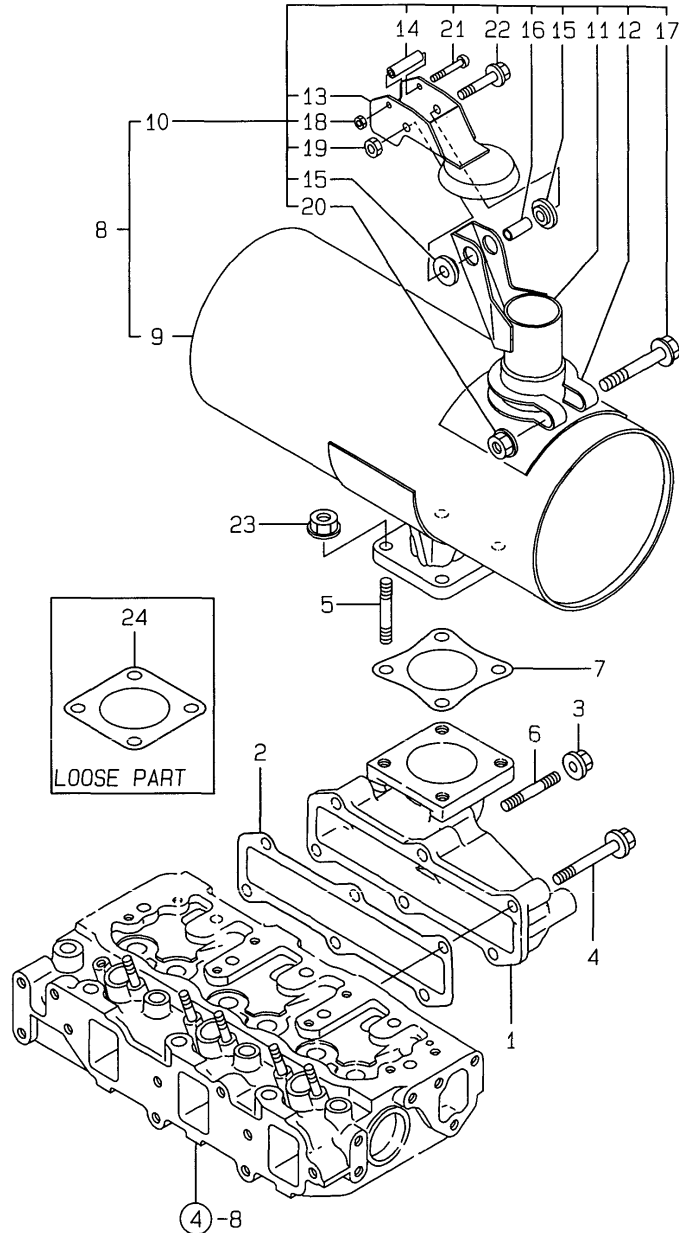
(A)=3TNE88-SA  
(B)=3TNE88-G1A  
(C)=3TNE88C-G1A

(D)=  
(E)=  
(F)=

No.	Lev.	Parts No.	Description	Qty						I	R
				(A)	(B)	(C)	(D)	(E)	(F)		
1	1	129001-12100	MANIFOLD, AIR INTAKE	1	1	1					
3	1	129001-12110	GASKET, MANIFOLD	1	1	1					
4	1	26106-080202	BOLT, M8X 20 PLATED	4	4	4					
5	1	26106-080802	BOLT, M8X 80 PLATED	1	1	1					
6	1	129619-12210	PIPE, AIR INTAKE	1	1	1					
7	1	121521-12400	CAP, RAIN	1	1	1					
8	1	129619-12560	BRACKET, AIR CLEANER	1	1						
8-1	1	129608-12560	BRACKET, AIR CLEANER	1	1	1					R
		(A=E03814) (B=E03598)									
9	1	23000-060000	CLAMP, 60	2	2	2					
10	1	26106-080182	BOLT, M8X 18 PLATED	4	4	4					
10-1	1	26013-080222	BOLT, M8X 22	4	4	4					N
		(A=E05767) (B=E05771) (C=E00135)									
11	1	26106-080182	BOLT, M8X 18 PLATED	2	2	2					
11-1	1	26013-080222	BOLT, M8X 22	2	2	2					N
		(A=E05767) (B=E05771) (C=E00135)									
12	1	129120-77501	HEATER	1	1	1					
13	1	129150-77511	GASKET	1	1	1					
14	1	26106-080352	BOLT, M8X 35 PLATED	4	4	4					
15	1	129608-12500	CLEANER ASSY, AIR	1	1						
15-1	1	129608-12501	CLEANER ASSY, AIR	1	1	1					R
		(A=E03814) (B=E03598)									
16	2	129608-12510	BODY ASSY	1	1						
16-1	2	129608-12511	BODY, AIR CLEANER	1	1	1					R
		(A=E03814) (B=E03598)									
17	2	119808-12520	ELEMENT	1	1	1					
18	2	119808-12530	COVER	1	1	1					
19	2	119808-12540	VALVE, UNLOADER	1	1	1					
20	1	119822-12500	CLEANER ASSY, AIR	1	1	1					W
		(A=E03814) (B=E03598)									
21	2	119822-12510	BODY, AIR CLEANER	1	1	1					W
		(A=E03814) (B=E03598)									
22	2	119808-12520	ELEMENT	1	1	1					W
		(A=E03814) (B=E03598)									
23	2	119808-12530	COVER	1	1	1					W
		(A=E03814) (B=E03598)									
24	2	129051-12530	ELEMENT	1	1	1					W
		(A=E03814) (B=E03598)									
25	2	119808-12540	VALVE, UNLOADER	1	1	1					W
		(A=E03814) (B=E03598)									
26	2	126650-12680	INDICATOR	1	1	1					W
		(A=E03814) (B=E03598)									

Fig.6. EXHAUST MANIFOLD & SILENCER

6.EXHAUST MANIFOLD & SILENCER



(A)=3TNE88-SA  
(B)=3TNE88-G1A  
(C)=3TNE88C-G1A

(D)=  
(E)=  
(F)=

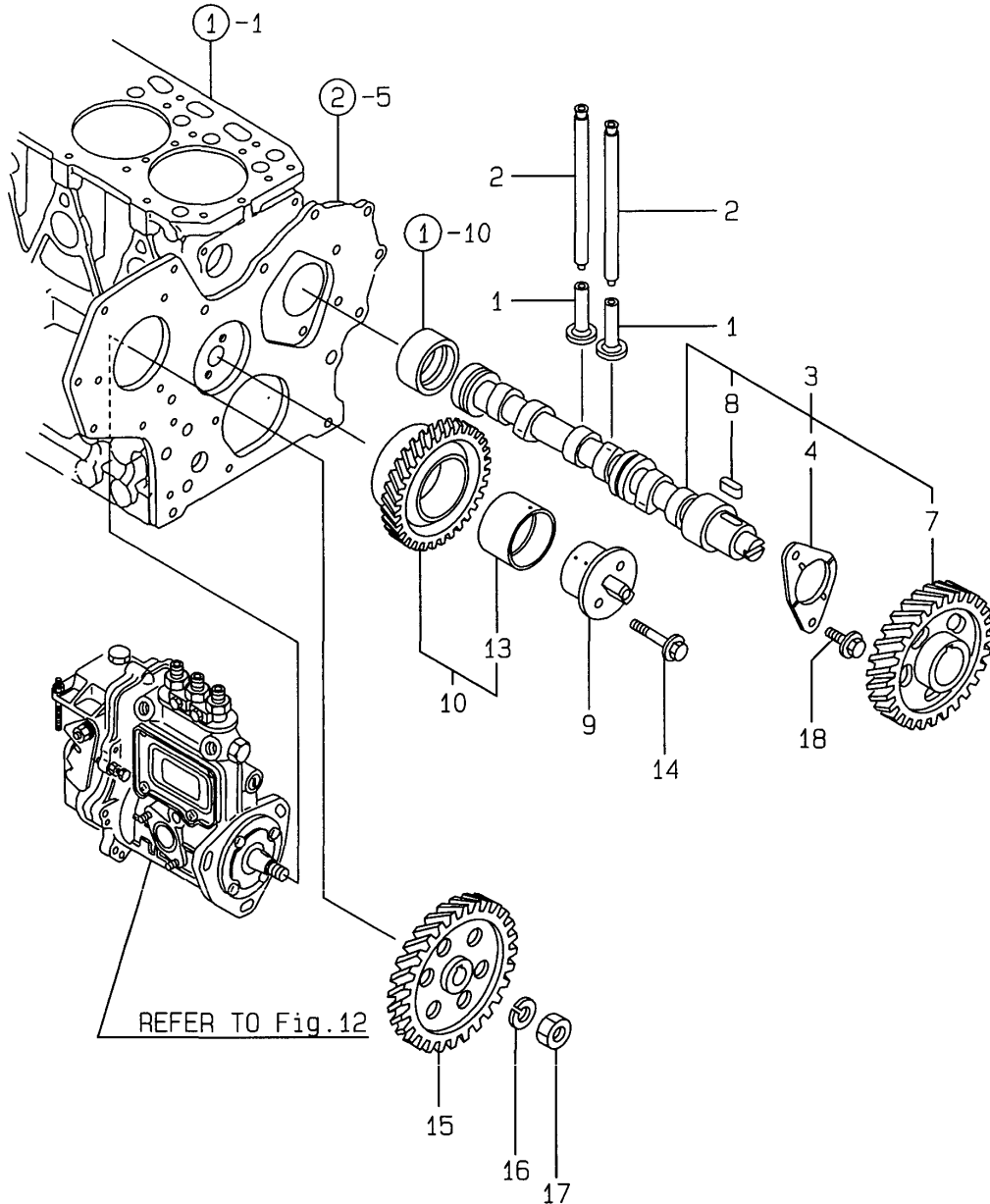
No.	Lev.	Parts No.	Description	Q'ty						I	R
				(A)	(B)	(C)	(D)	(E)	(F)		
1	1	129001-13100	MANIFOLD, EXHAUST	1	1	1					
2	1	129001-13110	GASKET	1	1	1					
3	1	194990-22050	NUT, M8	2	2	2					
3-1	1	26306-080002	NUT, M8	2	2	2					N
		(A=EXXX) (B=EXXX) (C=EXXX)									
4	1	26106-080402	BOLT, M8X 40 PLATED	4	4	4					
5	1	26216-080222	STUD, M8X 22	4	4	4					
5-1	1	119131-18320	STUD, M8X22	4	4	4					N
		(A=E06780) (B=E06773) (C=E00168)									
6	1	26216-080402	STUD, M8X 40	2	2	2					
7	1	121000-13201	GASKET, SILENCER	1	1	1					
8	1	119620-13501	SILENCER	1	1	1					
9	2	119620-13510	SILENCER ASSY	1	1	1					
10	2	119620-13520	PIPE ASSY, TAIL	1	1	1					
11	3	119620-13560	PIPE, TAIL	1	1	1					
12	3	124664-13580	CLAMP	1	1	1					
13	3	119358-13640	CAP, RAIN	1	1	1					
14	3	121855-13821	SPACER, A	1	1	1					
15	3	121855-13830	SPACER, B	2	2	2					
16	3	123500-13840	SPACER, C	1	1	1					
17	3	26106-080552	BOLT, M8X 55 PLATED	1	1	1					
18	3	26347-040002	NUT, M4	1	1	1					
19	3	26347-060002	NUT, M6	1	1	1					
20	3	26366-080002	NUT, M8	1	1	1					
20-1	3	26306-080002	NUT, M8	1	1	1					N
		(A=EXXX) (B=EXXX) (C=EXXX)									
21	3	26557-040352	SCREW, M4X35	1	1	1					
22	3	26106-060402	BOLT, M6X 40 PLATED	1	1	1					
23	1	194990-22050	NUT, M8	4	4	4					
23-1	1	26306-080002	NUT, M8	4	4	4					N
		(A=EXXX) (B=EXXX) (C=EXXX)									
24	1	124701-11911	GASKET, SILENCER	1	1	1					1

Remarks

(1) LOOSE PART.

Fig.7. CAMSHAFT & DRIVING GEAR

7. CAMSHAFT & DRIVING GEAR



(A)=3TNE88-SA  
(B)=3TNE88-G1A  
(C)=3TNE88C-G1A

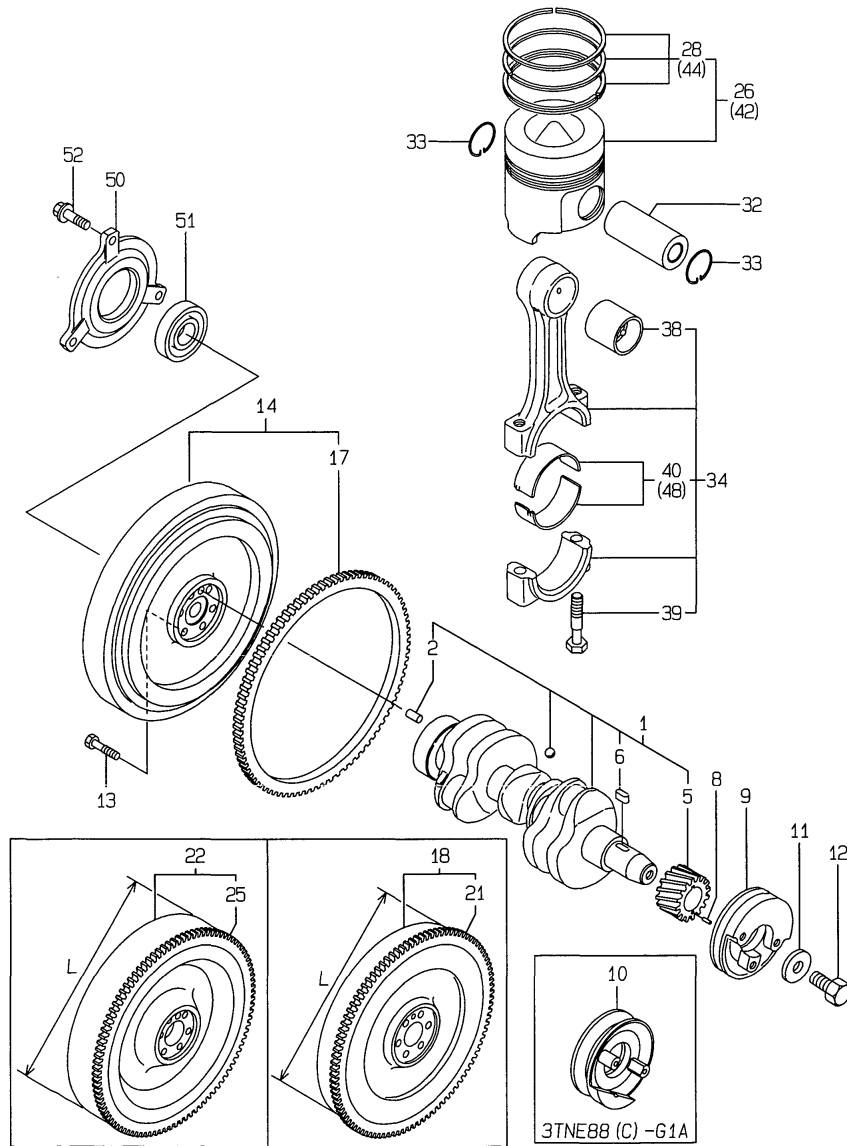
(D)=  
(E)=  
(F)=

No.	Lev.	Parts No.	Description	Qty						I	R
				(A)	(B)	(C)	(D)	(E)	(F)		
1	1	129150-14200	TAPPET	6	6	6					
2	1	129150-14400	ROD, PUSH L=178	6	6	6					
3	1	129129-14580	CAMSHAFT ASSY	1	1	1					
4	2	129150-02450	BEARING, THRUST	1	1	1					
7	2	129150-14101	GEAR, CAMSHAFT	1	1	1					
8	2	22512-070140	KEY, 7X 14	1	1	1					
9	1	129100-25061	SHAFT, IDLE	1	1	1					
10	1	129150-25101	GEAR ASSY, IDLE	1	1	1					
13	2	129150-25920	BUSH, IDLE GEAR	1	1	1					1
14	1	26106-080452	BOLT, M8X 45 PLATED	2	2	2					
15	1	129150-25900	GEAR, PUMP	1	1	1					
16	1	22217-120000	WASHER, SPRING 12	1	1	1					
17	1	26716-120002	NUT, M12	1	1	1					
18	1	26106-080162	BOLT, M8X 16 PLATED	2	2	2					
18-1	1	26106-080142	BOLT, M8X 14 PLATED	2	2	2					N
(A=E05144) (B=E05429) (C=E00113)											

Remarks  
(1) REPAIR PART.

# Fig.8. CRANKSHAFT & PISTON

## 8. CRANKSHAFT & PISTON



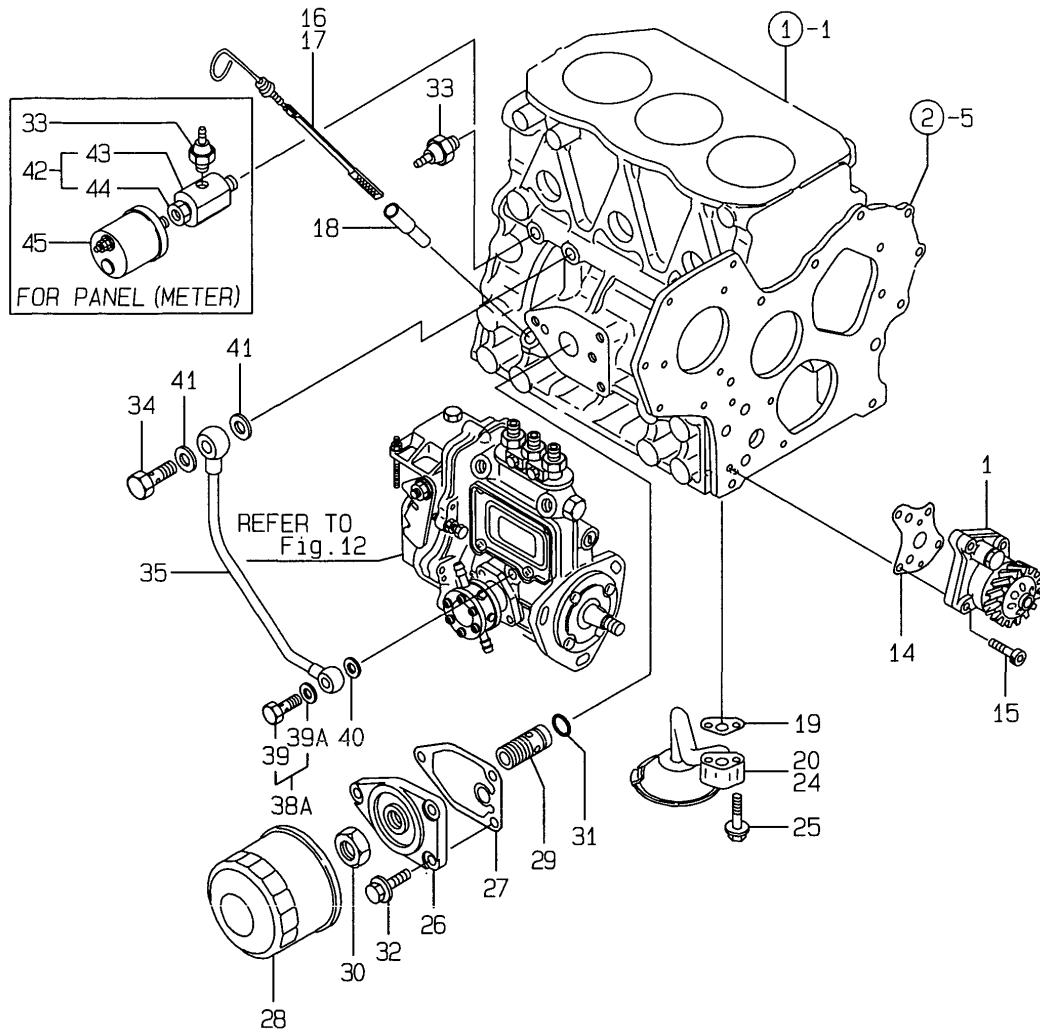
No.	Lev.	Parts No.	Description	Q'ty						I	R
				(A)	(B)	(C)	(D)	(E)	(F)		
1	1	129001-21000	CRANKSHAFT ASSY	1	1	1					
2	2	129100-01580	PIN, M8X16	1	1	1					
5	2	129150-21200	GEAR, CRANKSHAFT	1	1	1					
6	2	22512-070140	KEY, 7X 14	1	1	1					
8	1	22351-040010	PIN, SPRING 4.0X10	1	1	1					
9	1	171340-21650	V-PULLEY	1							
10	1	129150-21650	V-PULLEY		1	1					
11	1	129795-21661	WASHER	1	1	1					
12	1	121850-21680	BOLT	1	1	1					
13	1	121111-21501	BOLT, FLYWHEEL	6	6	6					
14	1	129188-21590	FLYWHEEL ASSY	1							
17	2	119865-21600	GEAR, RING	1							
18	1	171340-21590	FLYWHEEL ASSY	1	1	1					1
21	2	124550-21600	GEAR, RING	1	1	1					
22	1	171340-21580	FLYWHEEL ASSY	1							2
25	2	119865-21600	GEAR, RING	1							
26	1	129001-22081	PISTON ASSY	3	3	3					
28	2	129001-22500	RING SET, PISTON	3	3	3					
32	1	129202-22300	PIN, PISTON D26 L70	3	3	3					
33	1	22252-000260	RING, 26	6	6	6					
34	1	729402-23100	ROD ASSY, CONNECTING	3	3	3					
38	2	129100-23910	BEARING, PISTON PIN	3	3	3					3
39	2	121550-23200	BOLT, CONNECTING ROD	6	6	6					
40	2	129150-23600	BEARING, CRANK PIN	3	3	3					
42	1	129001-22900	PISTON ASSY, 0.25 OS	3	3	3					4
44	2	129001-22950	RING SET, 0.25 OS	3	3	3					4
48	1	129150-23610	BEARING, 0.25 US	3	3	3					5
50	1	119888-21450	RETAINER, BEARING	1							
51	1	24104-062054	BEARING, BALL 6205UU	1							
52	1	26106-080222	BOLT, M8X 22 PLATED	3							

Remarks

- (1) L= 335M/M.
- (2) L= 300M/M.
- (3) REPAIR PART.
- (4) OVER-SIZE(O.S=0.25)PART.
- (5) UNDER-SIZE(U.S=0.25)PART.

# Fig.9. LUB.OIL SYSTEM

## 9.LUB.OIL SYSTEM



(A)=3TNE88-SA  
(B)=3TNE88-G1A  
(C)=3TNE88C-G1A

(D)=  
(E)=  
(F)=

No.	Lev.	Parts No.	Description	Qty						I	R
				(A)	(B)	(C)	(D)	(E)	(F)		
1	1	129001-32001	PUMP ASSY, OIL	1	1	1					
14	1	129150-32020	GASKET, PUMP	1	1	1					
15	1	26450-060252	BOLT, M6X 25	4	4	4					
16	1	171420-34800	DIPSTICK, OIL	1							
17	1	171420-34820	DIPSTICK, OIL		1						
17-1	1	129136-34800	DIPSTICK, OIL		1	1					N
(B=E04211)											
18	1	121520-34810	GUIDE, DIPSTICK	1	1	1					
19	1	129150-35041	GASKET	1	1	1					
20	1	129150-35091	PIPE ASSY, OIL INLET	1							
24	1	129100-35301	PIPE ASSY, OIL INLET		1	1					
25	1	26106-080352	BOLT, M8X 35 PLATED	2	2	2					
26	1	129150-35101	BRACKET, STRAINER	1	1	1					
27	1	129150-35111	GASKET	1	1	1					
28	1	129150-35151	FILTER, D80XL80	1	1	1					
29	1	129001-35300	BOLT, FILTER	1	1	1					
30	1	129150-35350	NUT	1	1	1					
31	1	24311-000160	O-RING, 1AP16.0	1	1	1					
32	1	26106-080202	BOLT, M8X 20 PLATED	3	3	3					
33	1	124160-39450	SWITCH, 0.5KG	1	1	1					
34	1	124160-39140	BOLT, PIPE JOINT M10	1	1	1					
35	1	129150-39450	PIPE ASSY, OIL	1	1	1					
38A	1	124550-59830	BOLT ASSY, JOINT M8	1	1	1					W
(A=E05144) (B=E05425) (C=E00119)											
39	2	124550-59820	BOLT, PIPE JOINT M8	1	1	1					
39A	2	22190-080002	WASHER, SEAL 6	1	1	1					W
(A=E05144) (B=E05425) (C=E00119)											
40	1	23414-080000	GASKET, 8X1.0	2	2	2					
40-1	1	22190-080002	WASHER, SEAL 6	1	1	1					N
(A=E05144) (B=E05425) (C=E00119)											
41	1	23414-100000	GASKET, 10X1.0	2	2	2					
42	1	171375-39600	DAMPER ASSY	1	1	1					1
42-1	1	171375-39601	DAMPER, 1/8	1	1	1					R 1
(A=E05144) (B=E05425) (C=E00119)											
43	2	129470-39610	DAMPER	1	1	1					Z 1
(A=E05144) (B=E05425) (C=E00119)											
44	2	23161-020100	BUSH, R1/4X1/8	1	1	1					Z 1
(A=E05144) (B=E05425) (C=E00119)											
45	1	144626-91560	SENSOR	1	1	1					1

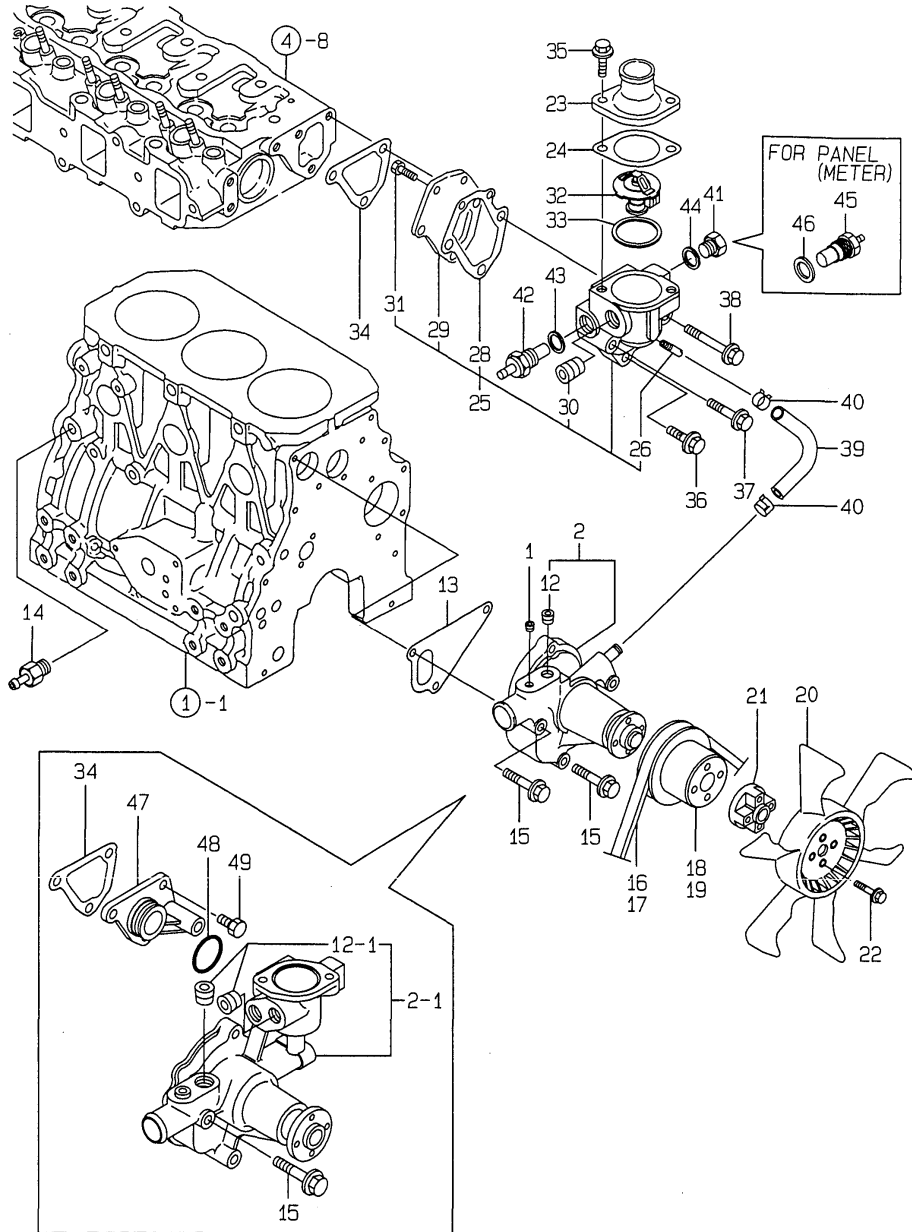
Remarks  
(1) FOR PANEL(METER).

Fig.10. COOLING WATER SYSTEM

(A)=3TNE88-SA  
(B)=3TNE88-G1A  
(C)=3TNE88C-G1A

(D)=  
(E)=  
(F)=

10.COOLING WATER SYSTEM



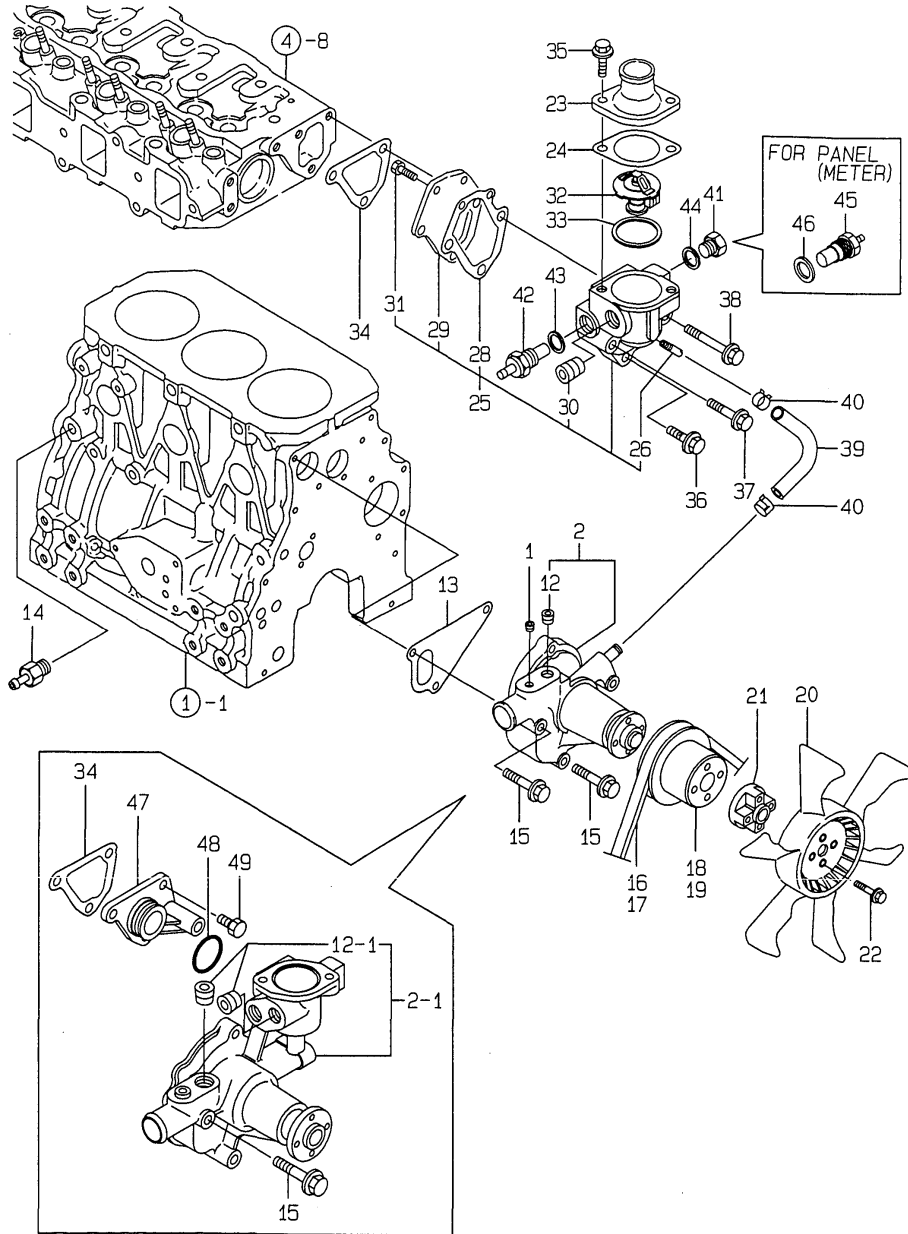
No.	Lev.	Parts No.	Description	Q'ty						I	R
				(A)	(B)	(C)	(D)	(E)	(F)		
1	1	121850-11860	PLUG, PT1/4	1	1						Z
2	1	129100-42002	PUMP ASSY, WATER	1	1						
2-1	1	129001-42001	PUMP ASSY, WATER	1	1	1					N
2-2	1	129001-42002	PUMP ASSY, WATER	1	1	1					N
		(A=E06934) (B=E06929)									
		(A=E05256) (B=E05429) (C=E00126)									
12	2	23871-030000	PLUG, R03	1	1						
12-1	2	23871-030000	PLUG, R03	2	2	2					K
		(A=E06934) (B=E06929)									
12-2	2	23876-030000	PLUG, R03	2	2	2					N
		(A=E06934) (B=E06929)									
		(A=E06934) (B=E06929)									
13	1	129100-42020	GASKET, WATER PUMP	1	1	1					
14	1	121550-49111	JOINT, PT1/4	1	1	1					
15	1	26106-080602	BOLT, M8X 60 PLATED	3	3	3					
16	1	25132-003800	V-BELT, A38	1	1						
17	1	25132-003700	V-BELT, A37		1						
17-1	1	25132-003800	V-BELT, A38		1						N
		(B=E06934) (C=E00126)									
18	1	129403-42380	V-PULLEY, D=110		1						
19	1	129155-42350	V-PULLEY		1	1					
20	1	171340-44740	FAN, COOLING D335XNF	1	1	1					
21	1	171353-44760	SPACER, FAN	1	1	1					
22	1	26106-060352	BOLT, M6X 35 PLATED	4	4	4					
23	1	129350-49530	COVER, THERMOSTAT	1	1						
23-1	1	129350-49560	COVER, THERMOSTAT	1	1	1					N
		(A=E06934) (B=E06929)									
24	1	129795-49551	GASKET	1	1	1					
25	1	129100-49800	CASE ASSY, THERMOSTAT	1	1						Z
		(A=E06934) (B=E06929)									
26	2	124770-11770	JOINT, PIPE PT1/8	1	1						Z
		(A=E06934) (B=E06929)									
28	2	129100-49820	GASKET	1	1						Z
		(A=E06934) (B=E06929)									
29	2	129100-49830	COVER, THERMOSTAT	1	1						Z
		(A=E06934) (B=E06929)									
30	2	23871-030000	PLUG, R03	1	1						Z
		(A=E06934) (B=E06929)									
31	2	26116-060162	BOLT, M6X 16 PLATED	2	2						Z
		(A=E06934) (B=E06929)									
32	1	129155-49800	THERMOSTAT, 71	1	1	1					
33	1	129150-49811	GASKET, THERMOSTAT	1	1	1					
34	1	129100-49840	GASKET	1	1	1					
35	1	26106-080202	BOLT, M8X 20 PLATED	2	2	2					
36	1	26106-080252	BOLT, M8X 25 PLATED	1	1						Z
		(A=E06934) (B=E06929)									
37	1	26106-080502	BOLT, M8X 50 PLATED	1	1						Z
		(A=E06934) (B=E06929)									
38	1	26106-080602	BOLT, M8X 60 PLATED	1	1						Z
		(A=E06934) (B=E06929)									
39	1	129132-49050	PIPE, WATER	1	1						Z
		(A=E06934) (B=E06929)									

Remarks  
(1) FOR PANEL(METER).

Fig.10. COOLING WATER SYSTEM

(A)=3TNE88-SA  
(B)=3TNE88-G1A  
(C)=3TNE88C-G1A(D)=  
(E)=  
(F)=

## 10.COOLING WATER SYSTEM



No.	Lev.	Parts No.	Description	Q'ty						I	R
				(A)	(B)	(C)	(D)	(E)	(F)		
40	1	23000-016000 (A=E06934)	CLAMP, 16 (B=E06929)	2	2						Z
41	1	121450-42450	PLUG, M16	1	1	1					
42	1	121250-44901	SWITCH, 110	1	1	1					
43	1	124465-44950	GASKET, 16	1	1	1					
44	1	124465-44950	GASKET, 16	1	1	1					
45	1	124250-49351	SENSOR	1	1	1					1
46	1	129150-49360	GASKET	1	1	1					1
47	1	129001-42040	JOINT	1	1	1					W
48	1	24321-000300 (A=E06934)	O-RING, 1AG30.0 (B=E06929)	1	1	1					W
49	1	26106-080182 (A=E06934)	BOLT, M8X 18 PLATED (B=E06929)	3	3	3					W
49-1	1	26106-080162 (A=E06934)	BOLT, M8X 16 PLATED (B=E06929)	3	3	3					N

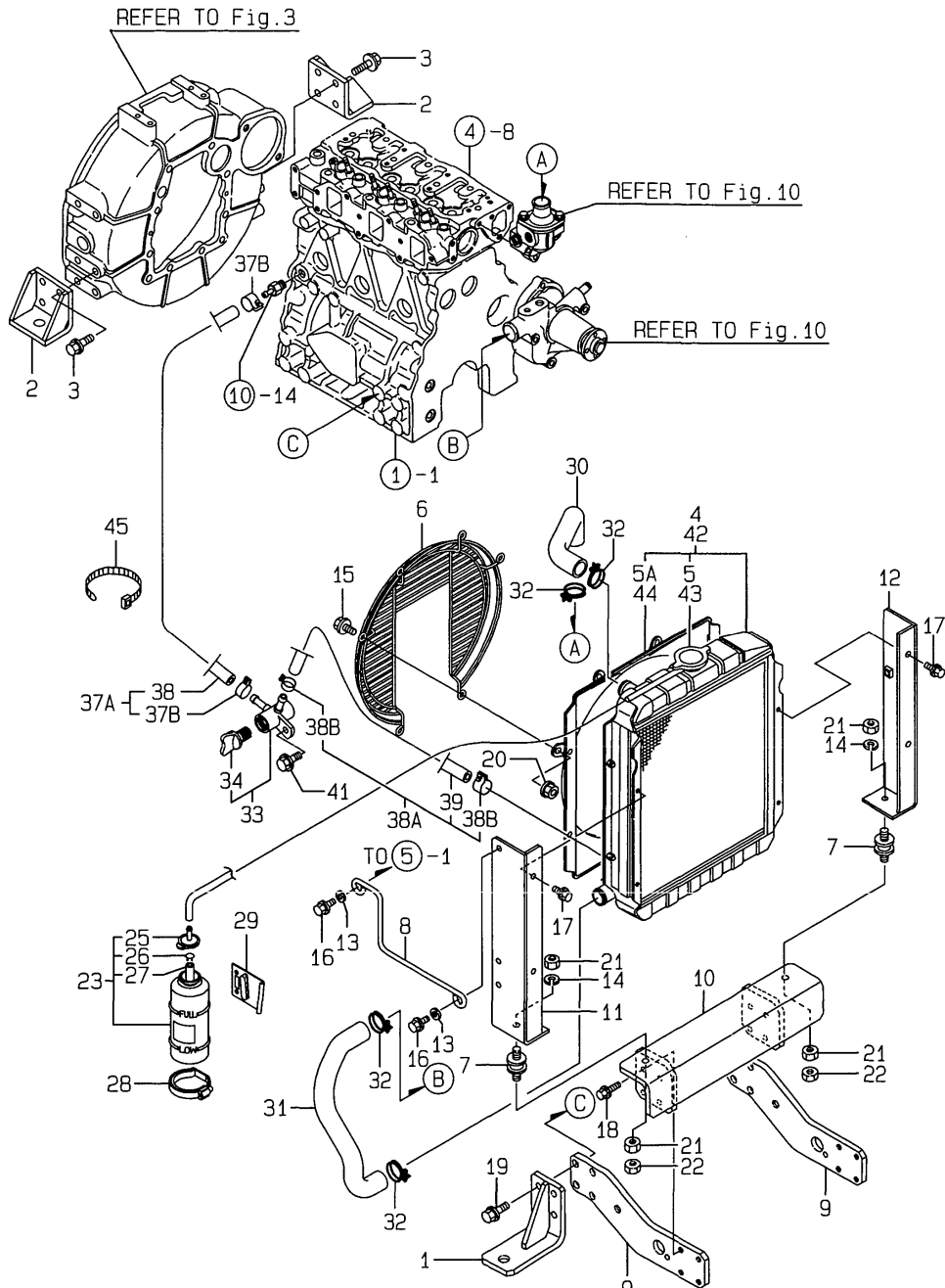
## Remarks

(1) FOR PANEL(METER).

N:Old  $\begin{matrix} \leftarrow \text{Yes} \\ \text{No} \end{matrix}$  New, Q:Old  $\begin{matrix} \leftarrow \text{No} \\ \text{Yes} \end{matrix}$  New, R:Old  $\begin{matrix} \leftarrow \text{Yes} \\ \text{Yes} \end{matrix}$  New, S:Old  $\begin{matrix} \leftarrow \text{No} \\ \text{No} \end{matrix}$  New, W:Add, Z:Discontinued, F:Interchangeable by set, K:Q'ty Change  
Copyright (C) YANMAR CO., LTD. All Rights Reserved.

# Fig.11. RADIATOR

## 11. RADIATOR



(A)=3TNE88-SA  
(B)=3TNE88-G1A  
(C)=3TNE88C-G1A

(D)=  
(E)=  
(F)=

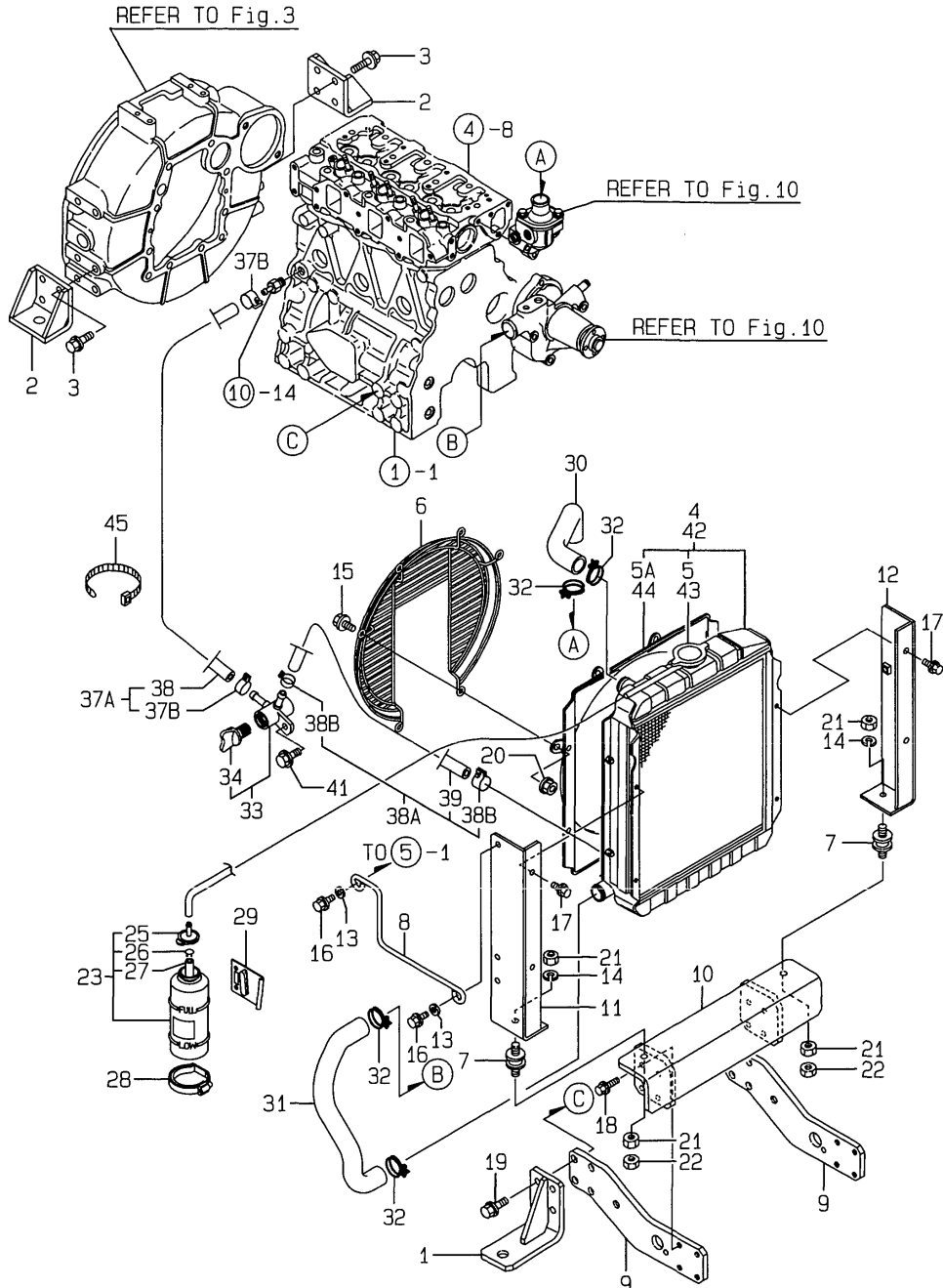
No.	Lev.	Parts No.	Description	Qty						I	R
				(A)	(B)	(C)	(D)	(E)	(F)		
1	1	129188-08100	FOOT	2	2	2					
2	1	119888-08110	FOOT	2	2	2					
3	1	26106-100202	BOLT, M10X 20 PLATED	8	8	8					
4	1	129120-44500	RADIATOR	1							
5	2	119259-44570	CAP, RADIATOR	1							
5A	2	X2411367340	SHROUD	1							W
(A=E0000)											
6	1	129120-44560	PROTECTOR, FAN	1	1	1					
7	1	121400-44650	ABSORBER	2	2	2					
8	1	129211-44940	RETAINER, RADIATOR	1	1	1					
9	1	129188-44950	BRACKET	2	2	2					
10	1	129188-44960	BRACKET, RADIATOR	1	1	1					
11	1	129188-44970	SUPPORT, A	1	1	1					
12	1	129188-44980	SUPPORT, B	1	1	1					
13	1	22137-080000	WASHER, 8	2	2	2					
14	1	22217-100000	WASHER, SPRING 10	2	2	2					
15	1	26106-080122	BOLT, M8X 12 PLATED	6	6	6					
16	1	26106-080162	BOLT, M8X 16 PLATED	2	2	2					
17	1	26106-080202	BOLT, M8X 20 PLATED	4	4	4					
18	1	26106-080252	BOLT, M8X 25 PLATED	8	8	8					
19	1	26106-100302	BOLT, M10X 30 PLATED	8	8	8					
20	1	26366-080002	NUT, M8	6	6	6					
20-1	1	26306-080002	NUT, M8	6	6	6					N
(A=E0000) (B=E0000) (C=E0000)											
21	1	26716-100002	NUT, M10	4	4	4					
22	1	26756-100002	NUT, LOCK M10	2	2	2					
23	1	124450-44510	TANK ASSY, SUB	1	1	1					
25	2	124450-44530	CAP	1	1	1					
26	2	124450-44560	RETAINER	1	1	1					
27	2	23061-070230	PIPE, 7X 230	1	1	1					
28	1	124450-44550	BAND	1	1	1					
29	1	121256-44600	BRACKET, SUB TANK	1	1	1					
30	1	171301-49010	PIPE, WATER	1	1	1					
31	1	171301-49020	PIPE, WATER	1	1						
31-1	1	129211-49020	PIPE, WATER	1	1	1					N
(A=E06934) (B=E06929)											
32	1	23010-038000	CLAMP, 38	4	4	4					
33	1	129150-49100	COCK ASSY, 3-WAY	1	1	1					
34	2	129150-49080	COCK, DRAIN	1	1	1					
37A	1	129210-49280	PIPE ASSY, DRAIN	1	1	1					W
(A=E0000) (B=E0000) (C=E0000)											
37B	2	124766-59050	CLIP, HOSE 12	2	2	2					W
(A=E0000) (B=E0000) (C=E0000)											
38	2	121737-49160	PIPE, WATER DRAIN	1	1	1					
38-1	2	121737-49150	PIPE, WATER DRAIN	1	1	1					N
(A=E0000) (B=E0000) (C=E0000)											
38A	1	129210-49120	PIPE ASSY, DRAIN	1	1	1					W
(A=E0000) (B=E0000) (C=E0000)											
38B	2	124766-59050	CLIP, HOSE 12	2	2	2					W
(A=E0000) (B=E0000) (C=E0000)											
39	2	121520-49160	PIPE, WATER DRAIN	1	1	1					

N:Old  $\xrightarrow{\text{Yes}}$  New, Q:Old  $\xrightarrow{\text{No}}$  New, R:Old  $\xrightarrow{\text{Yes}}$  New, S:Old  $\xrightarrow{\text{No}}$  New, W:Add, Z:Discontinued, F:Interchangeable by set, K:Q'ty Change  
 ++ CONTINUE ++  
 Copyright (C) YANMAR CO., LTD. All Rights Reserved.



# Fig.11. RADIATOR

## 11. RADIATOR



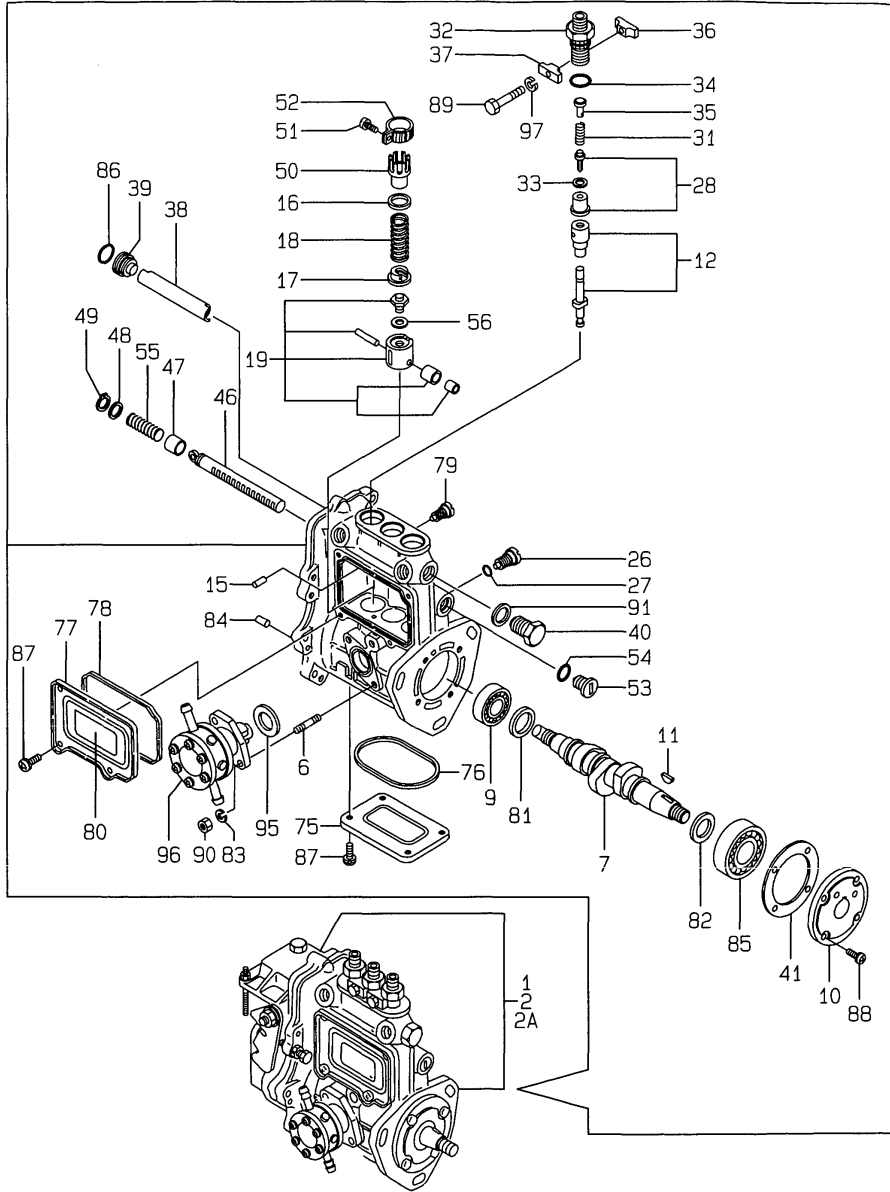
(A)=3TNE88-SA  
 (B)=3TNE88-G1A  
 (C)=3TNE88C-G1A

(D)=  
 (E)=  
 (F)=

No.	Lev.	Parts No.	Description	Qty						I	R
				(A)	(B)	(C)	(D)	(E)	(F)		
39-1	2	121025-49150 (A=EXXX)	PIPE, DRAIN L=170 (B=EXXX) (C=EXXX)	1	1	1					N
41	1	26106-080162	BOLT, M8X 16 PLATED	1	1	1					
42	1	129420-44510	RADIATOR		1	1					
43	2	119259-44570	CAP, RADIATOR		1	1					
44	2	X2411367340 (B=EXXX)	SHROUD		1	1					W
45	1	121750-59890 (A=EXXX)	BAND, 140 (B=EXXX) (C=EXXX)	1	1	1					W

Fig.12. FUEL INJECTION PUMP

12.FUEL INJECTION PUMP



(A)=3TNE88-SA  
(B)=3TNE88-G1A  
(C)=3TNE88C-G1A

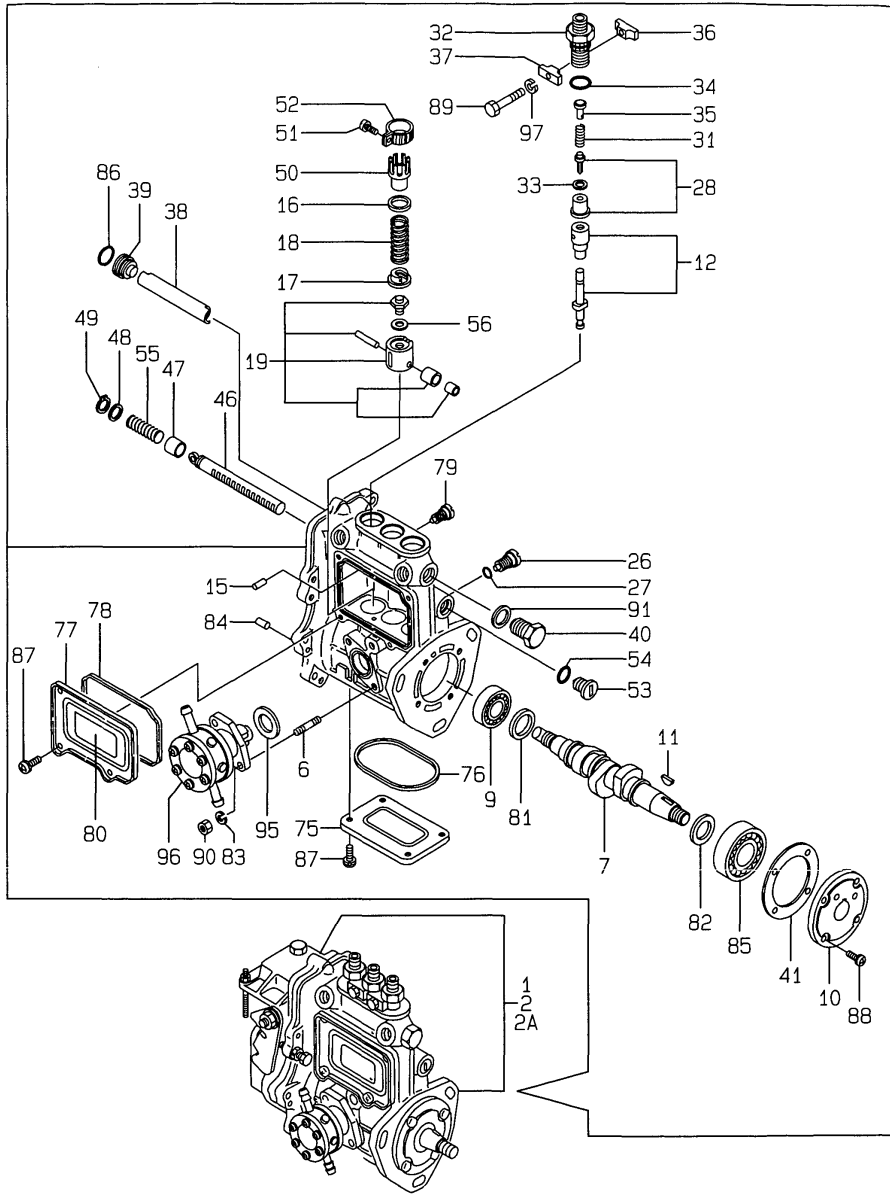
(D)=  
(E)=  
(F)=

No.	Lev.	Parts No.	Description	Q'ty						I	R
				(A)	(B)	(C)	(D)	(E)	(F)		
1	1	729209-51350	PUMP ASSY, INJECTION	1							1
2	1	729209-51300	PUMP ASSY, INJECTION		1						1
2A	1	729209-51310	PUMP ASSY, INJECTION			1					1
6	2	129155-51020	STUD	2	2	2					
7	2	119810-51040	CAMSHAFT	1	1	1					
9	2	129155-51050	BEARING, 17BM001D	1	1	1					
10	2	129155-51060	SUPPORT, CAMSHAFT	1	1	1					
11	2	122710-51090	KEY	1	1	1					
12	2	129506-51100	PLUNGER ASSY	3	3	3					
12-1	2	129470-51101	PLUNGER ASSY	3							N
		(A=E05593)									
15	2	129155-51140	PIN	3	3	3					
16	2	174307-51170	RETAINER, SPRING A	3	3	3					
17	2	129155-51180	RETAINER, SPRING	3	3	3					
18	2	124950-51190	SPRING, PLUNGER	3	3	3					
19	2	129155-51200	TAPPET ASSY	3	3	3					
26	2	129155-51270	STOPPER, TAPPET	3	3	3					
27	2	129155-51280	O-RING, S6	3	3	3					
28	2	129100-51300	VALVE ASSY, DELIVERY	3	3	3					
31	2	129155-51320	SPRING, DELIVERY	3	3	3					
32	2	129155-51340	RETAINER	3	3	3					
33	2	124550-51350	GASKET, DELIVERY	3	3	3					
34	2	124550-51370	O-RING	3	3	3					
35	2	129155-51370	STOPPER, VALVE	3	3	3					
36	2	129155-51380	STOPPER	2	2	2					
37	2	129155-51390	STOPPER	2	2	2					
38	2	129155-51400	DEFLECTOR	1	1	1					
39	2	129155-51410	BOLT	1	1	1					
40	2	129155-51420	PLUG, M16	1	1	1					
41	2	129155-51450	SHIM SET, ADJUSTING	1	1	1					
46	2	129155-51500	RACK, CONTROL	1	1	1					
47	2	129155-51521	BUSH, RACK	1	1	1					
48	2	129155-51530	SPACER	1	1	1					
49	2	129155-51540	CIRCLIP	1	1	1					
50	2	129155-51550	PINION, CONTROL	3	3	3					
51	2	122117-51560	SCREW	3	3	3					
52	2	174307-51560	PINION	3	3	3					
53	2	129155-51570	PLUG, M12	1	1	1					
54	2	129155-51580	O-RING	1	1	1					
55	2	129155-51591	SPRING, RACK	1	1	1					
56	2	129155-51600	SHIM SET, ADJUSTING	3	3	3					
75	2	129155-51700	COVER	1	1	1					
76	2	129155-51710	GASKET	1	1	1					
77	2	129155-51750	COVER	1	1	1					
78	2	129155-51760	GASKET	1	1	1					
79	2	129155-51790	STOOPER, RACK	1	1	1					
80	2	129156-51910	LABEL, CAUTION	1	1	1					
81	2	129155-51930	SPACER, T=3.25	1	1	1					
82	2	129155-51940	SPACER, T=1.5	1	1	1					
83	2	22217-060000	WASHER, SPRING 6	2	2	2					
84	2	22351-050010	PIN, SPRING 5.0X10	2	2	2					

Remarks  
(1)GOVERNOR ASSY(FIG.13)IS  
INCORPORATED IN THIS FUEL  
INJECTION PUMP ASSY(REF.NO.1,2,2A)

# Fig.12. FUEL INJECTION PUMP

## 12.FUEL INJECTION PUMP



(A)=3TNE88-SA  
 (B)=3TNE88-G1A  
 (C)=3TNE88C-G1A

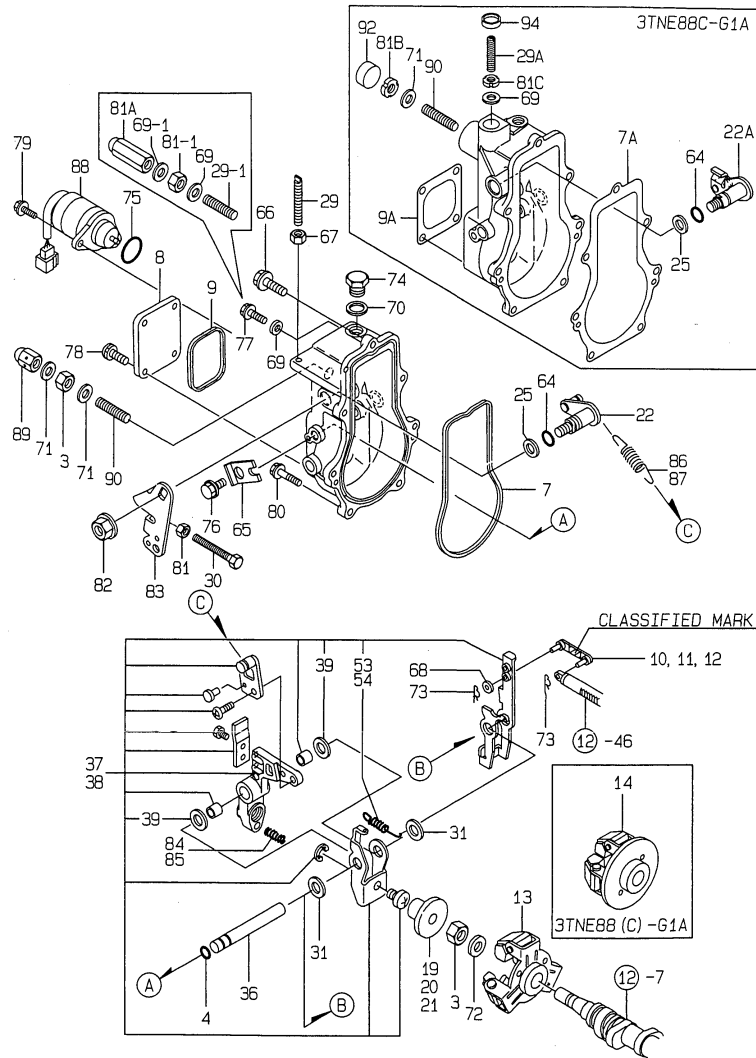
(D)=  
 (E)=  
 (F)=

No.	Lev.	Parts No.	Description	Qty						I	R
				(A)	(B)	(C)	(D)	(E)	(F)		
85	2	24101-063034	BEARING, BALL 6303	1	1	1					
86	2	24341-000160	O-RING, 1AS16.0	1	1	1					
87	2	26022-050102	SCREW, M5X10	8	8	8					
88	2	26022-060162	SCREW, M6X16	4	4	4					
89	2	26116-050302	BOLT, M5X 30 PLATED	2	2	2					
90	2	26716-060002	NUT, M6	2	2	2					
91	2	22190-160002	WASHER, SEAL 16	1	1	1					
95	2	129155-52050	GASKET	1	1	1					
96	2	129100-52100	PUMP ASSY, FUEL FEED	1	1	1					
97	2	22217-050000	WASHER, SPRING 5	2	2	2					

Remarks  
 (1)GOVERNOR ASSY(FIG.13)IS  
 INCORPORATED IN THIS FUEL  
 INJECTION PUMP ASSY(REF.NO.1,2,2A)

# Fig.13. GOVERNOR

## 13. GOVERNOR



(A)=3TNE88-SA  
(B)=3TNE88-G1A  
(C)=3TNE88C-G1A

(D)=  
(E)=  
(F)=

No.	Lev.	Parts No.	Description	Q'ty						I	R
				(A)	(B)	(C)	(D)	(E)	(F)		
3	2	26776-120002	NUT, LOCK M12	2	2	1					
4	2	129155-51280	O-RING, S6	1	1	1					
7	2	129052-61050	GASKET	1	1						
7A	2	129116-61051	GASKET				1				
8	2	129052-61060	COVER, GOVERNOR CASE	1	1	1					
9	2	129052-61070	GASKET	1	1						
9A	2	119988-61070	GASKET				1				
10	2	129155-61120	LINK, L=30 MARK 0	1	1	1					1
11	2	129155-61130	LINK, L=31 MARK 1	1	1	1					1
12	2	129155-61140	LINK, L=30.5 MARK 05	1	1	1					1
13	2	129155-61201	WEIGHT ASSY,GOVERNOR	1							
14	2	171488-61200	WEIGHT ASSY,GOVERNOR		1	1					
19	2	129155-61341	SLEEVE	1	1	1					2
20	2	129155-61350	SLEEVE, L=24.9	1	1	1					2
21	2	129155-61360	SLEEVE, L=25.2	1	1	1					2
22	2	129100-61400	SHAFT ASSY	1	1						
22A	2	119988-61400	SHAFT ASSY							1	
25	2	129155-61430	SPACER	1	1	1					
29	2	129155-61450	BOLT, LIMITER	1	1						
29-1	2	129155-61450	BOLT, LIMITER	2							K
(A=E05593)											
29A	2	119988-61460	BOLT, LIMITER							1	
30	2	129155-61460	BOLT, IDLE	1	1	1					
31	2	129155-61480	SPACER ASSY	2	2	2					
36	2	129052-61390	SHAFT	1	1	1					
37	2	129052-61500	LEVER ASSY, GOVERNOR	1							
38	2	129412-61500	LEVER ASSY, GOVERNOR			1	1				
39	3	174307-51700	SHIM SET	2	2	2					
53	3	129052-61540	SPRING, SET	1							
54	3	119843-61540	SPRING, SET			1	1				
64	2	129155-61830	O-RING, S10	1	1	1					
65	2	119660-61901	RETAINER, SHAFT	1	1	1					
66	2	129155-61950	BOLT	1	1	1					
67	2	124550-66370	NUT, M6	1	1						
68	2	22117-040000	WASHER, 4	1	1	1					
69	2	22190-060002	WASHER, SEAL 6	1	1	1					
69-1	2	22190-060003	SEAL WASER 6	2	1						N
(A=E05593) (B=E05593)											
70	2	22190-100002	WASHER, SEAL 10	1	1	1					
71	2	22190-120002	WASHER, SEAL 12	2	2	1					
72	2	22287-120000	WASHER, 12	1	1	1					
73	2	22372-040000	PIN, SNAP 4	2	2	2					
74	2	23887-100002	PLUG, 10	1	1	1					
75	2	24341-000280	O-RING, 1AS28.0	1	1	1					
75-1	2	158552-61900	O-RING	1	1	1					N
(A=E05593) (B=E05593) (C=E05593)											
76	2	26106-060102	BOLT, M6X 10 PLATED	1	1	1					
77	2	26106-060102	BOLT, M6X 10 PLATED	1	1						Z
(A=E05593)											
78	2	26106-060102	BOLT, M6X 10 PLATED	4	4	4					
79	2	26106-060142	BOLT, M6X 14 PLATED	2	2	2					

Remarks

(1) SELECTIVE PARTS: CERTAIN THE CLASSIFICATION MARK, THEN PLACE YOUR ORDER.(REFER TO ILLUSTRATION )

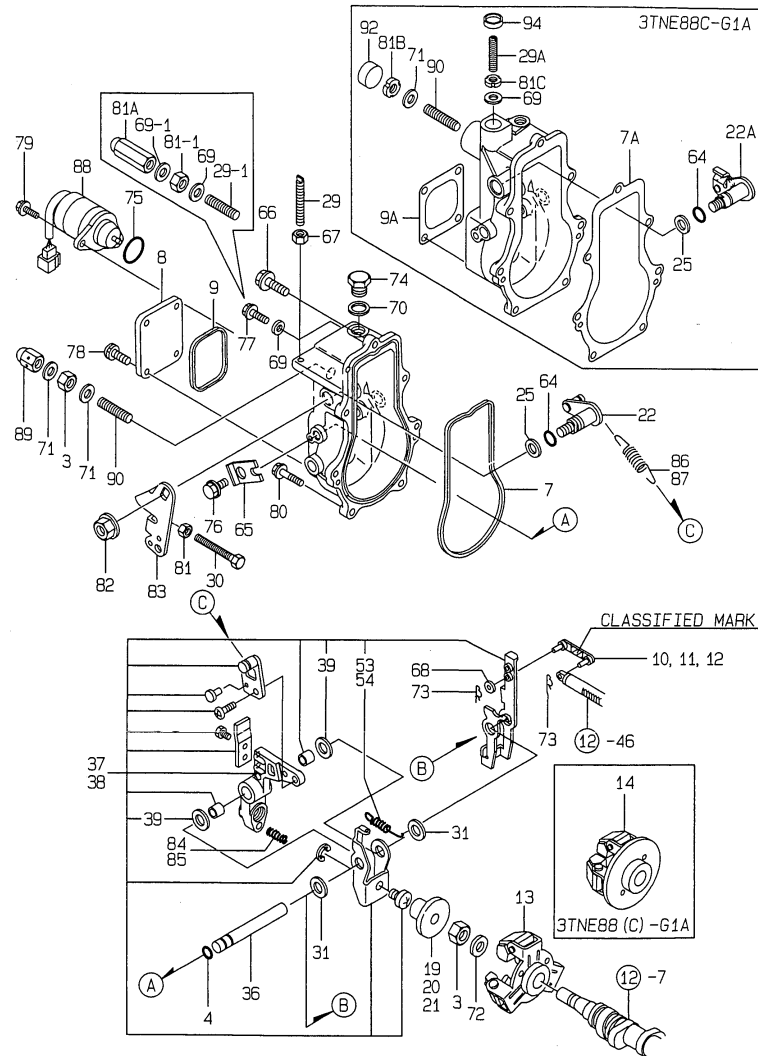
(2) SELECTIVE PARTS.

\* THIS FIGURE(GOVERNOR ASSY) IS INCORPORATED IN THE FUEL INJECTION PUMP ASSY(FIG.12).

(3) REPAIR PART.

# Fig.13. GOVERNOR

## 13. GOVERNOR



(A)=3TNE88-SA  
(B)=3TNE88-G1A  
(C)=3TNE88C-G1A

(D)=  
(E)=  
(F)=

No.	Lev.	Parts No.	Description	Qty						I	R
				(A)	(B)	(C)	(D)	(E)	(F)		
80	2	26106-060202	BOLT, M6X 20 PLATED	6	6	6					
81	2	26756-060002	NUT, LOCK M6	1	1	1					
81-1	2	26756-060002	NUT, LOCK M6	2							K
(A=E05593)											
81A	2	119600-66840	NUT, CAP	1							W
(A=E05593)											
81B	2	119685-61940	NUT, M12			1					
81C	2	119685-61950	NUT, M6			1					
82	1	26366-080002	NUT, M8	1	1	1					
83	1	129100-61440	LEVER, CONTROL	1	1	1					
84	1	129100-61650	SPRING, CONTROLLER	1							
85	1	129500-61650	SPRING, FUEL CONTROL			1	1				
86	1	171353-61700	SPRING, GOVERNOR	1							
87	1	129477-61720	SPRING, GOVERNOR			1	1				
88	1	119653-77950	SOLENOID, STOP	1	1	1					
89	1	26687-120002	NUT, CAP M12	1	1						
90	1	129155-61470	BOLT, CONTROL	1	1	1					
92	1	119621-66610	PLUG, 22			1					3
94	1	119621-66710	PLUG, 14			1					3

Remarks

(1) SELECTIVE PARTS: CERTAIN THE CLASSIFICATION MARK, THEN PLACE YOUR ORDER.(REFER TO ILLUSTRATION )

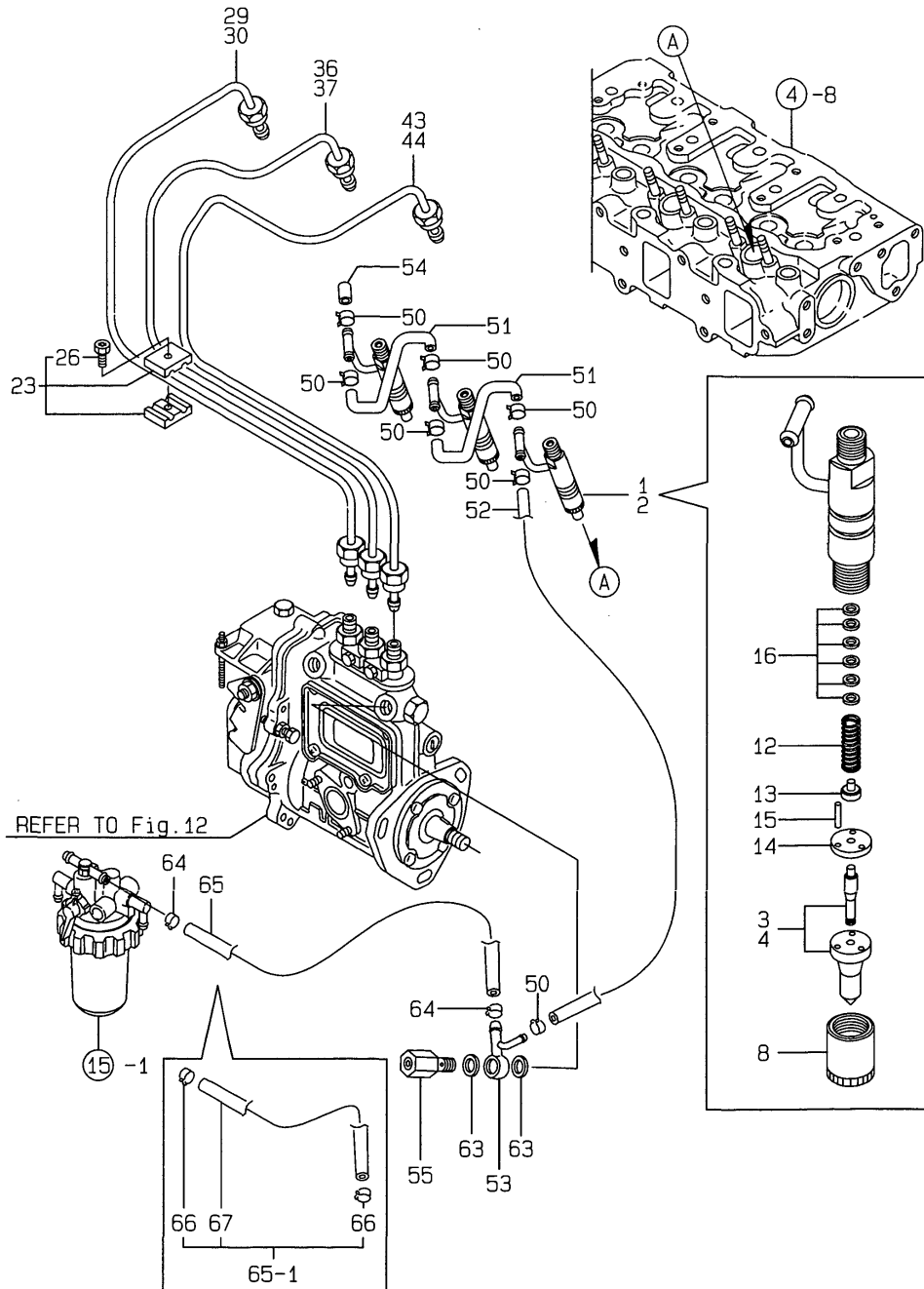
(2) SELECTIVE PARTS.

\* THIS FIGURE(GOVERNOR ASSY) IS INCORPORATED IN THE FUEL INJECTION PUMP ASSY(FIG.12).

(3) REPAIR PART.

Fig.14. FUEL INJECTION VALVE

14.FUEL INJECTION VALVE



(A)=3TNE88-SA  
(B)=3TNE88-G1A  
(C)=3TNE88C-G1A

(D)=  
(E)=  
(F)=

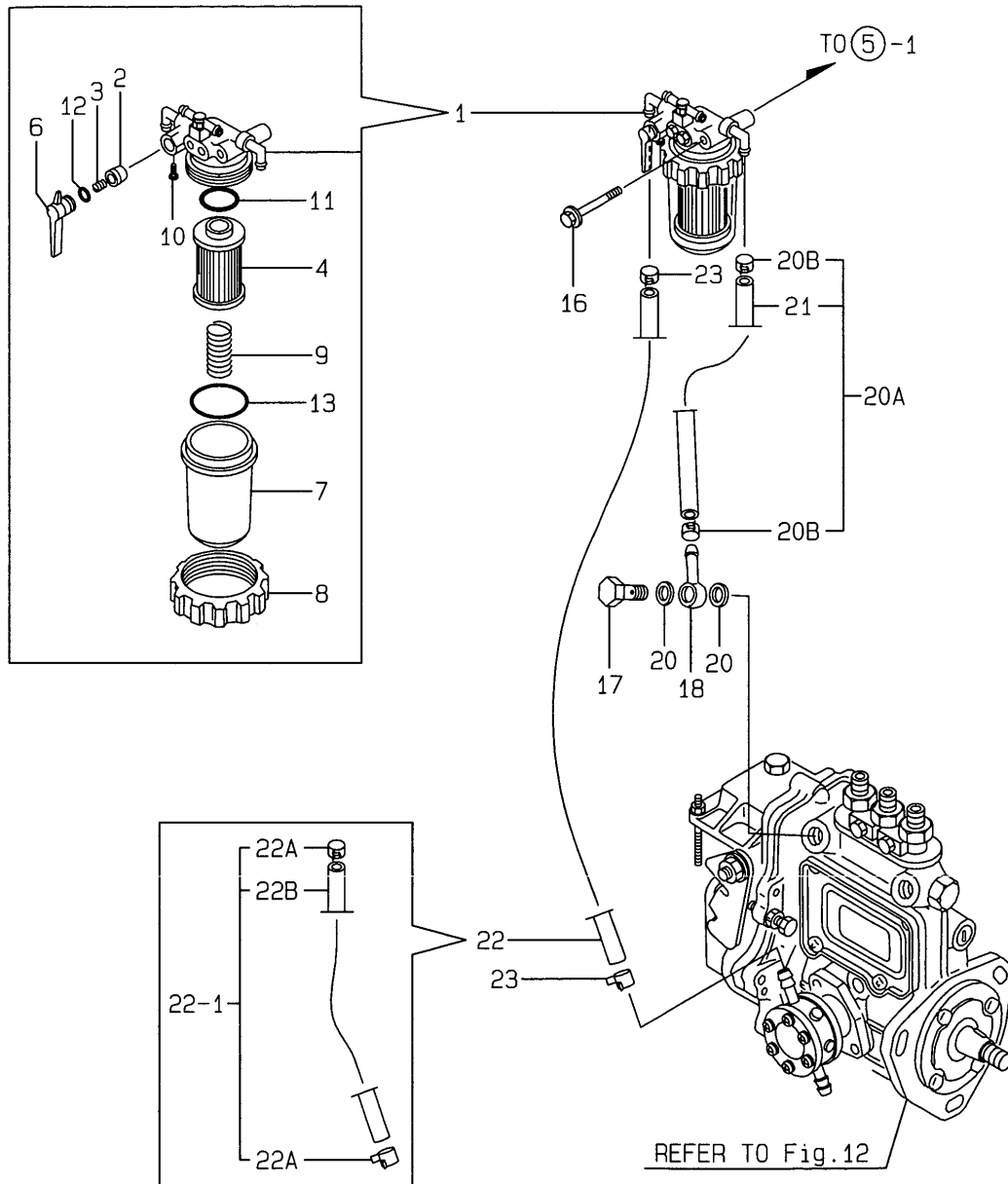
No.	Lev.	Parts No.	Description	Qty						I	R
				(A)	(B)	(C)	(D)	(E)	(F)		
1	1	729503-53100	VALVE ASSY,INJECTION	3							
2	1	719810-53100	VALVE ASSY,INJECTION		3	3					
3	2	129503-53000	VALVE ASSY,INJECTION	3							
4	2	119810-53000	VALVE ASSY,INJECTION		3	3					
8	2	114250-53080	NUT, NOZZLE D16.95	3	3	3					
12	2	114250-53120	SPRING, NOZZLE	3	3	3					
13	2	114250-53130	SEAT, SPRING	3	3	3					
14	2	114250-53140	PLATE	3	3	3					
15	2	114250-53210	PIN	6	6	6					
16	2	114250-53400	SHIM SET	3	3	3					
23	1	119305-59120	RETAINER, PIPE	2	2	2					
26	2	129150-59131	BOLT, M4X14	2	2	2					
29	1	129001-59811	PIPE ASSY, INJECTION	1							
29-1	1	129052-59710	PIPE ASSY, INJECTION	1							R
(A=E07057)											
30	1	129002-59810	PIPE ASSY, INJECTION		1	1					
36	1	129001-59821	PIPE ASSY, INJECTION	1							
36-1	1	129052-59720	PIPE ASSY, INJECTION	1							R
(A=E07057)											
37	1	129002-59820	PIPE ASSY, INJECTION		1	1					
43	1	129001-59831	PIPE ASSY, INJECTION	1							
43-1	1	129052-59730	PIPE ASSY, INJECTION	1							R
(A=E07057)											
44	1	129002-59831	PIPE ASSY, INJECTION		1	1					
50	1	124066-59100	CLIP, HOSE 8	7	7	7					
51	1	121250-59550	PIPE, FUEL D8X120	2	2	2					
52	1	119840-59560	PIPE, FUEL RETURN	1	1	1					
53	1	119840-59570	JOINT	1	1	1					
54	1	129150-59580	CAP	1	1	1					
55	1	129100-59951	VALVE ASSY, CHECK	1	1	1					
63	1	23414-120000	GASKET, 12X1.0	2	2	2					
64	1	124766-59050	CLIP, HOSE 12	2	2	2					Z
(A=E07043) (B=E07153) (C=E00204)											
65	1	129255-59580	PIPE, FUEL	1	1	1					
65-1	1	129210-59130	PIPE ASSY, FUEL	1	1	1					N
(A=E07043) (B=E07153) (C=E00204)											
66	2	124766-59050	CLIP, HOSE 12	2	2	2					W
(A=E07043) (B=E07153) (C=E00204)											
67	2	105025-59750	PIPE, FUEL	1	1	1					W
(A=E07043) (B=E07153) (C=E00204)											

# Fig.15. FUEL FILTER

(A)=3TNE88-SA  
(B)=3TNE88-G1A  
(C)=3TNE88C-G1A

(D)=  
(E)=  
(F)=

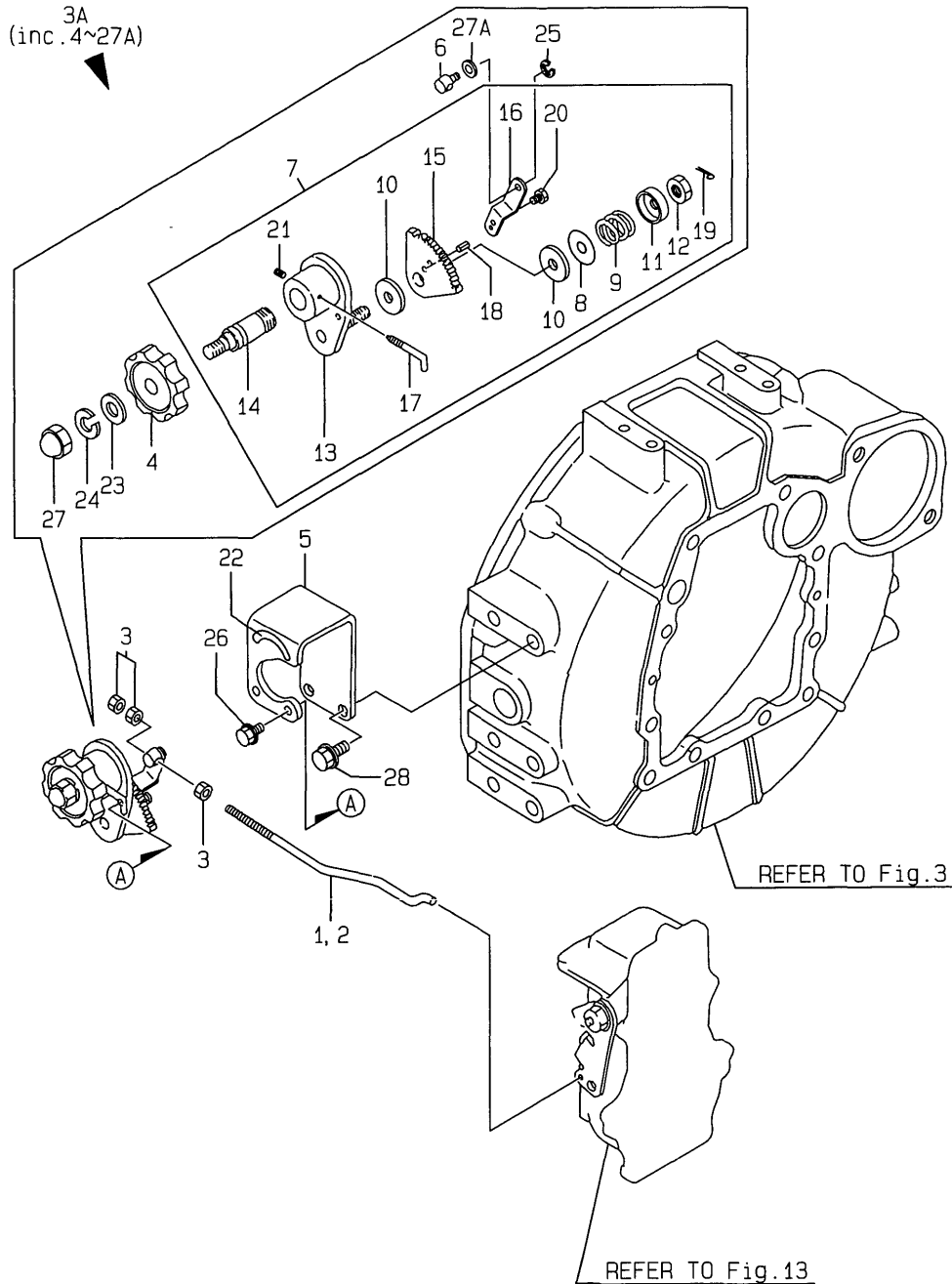
## 15.FUEL FILTER



No.	Lev.	Parts No.	Description	Qty						I	R
				(A)	(B)	(C)	(D)	(E)	(F)		
1	1	129052-55620	FILTER ASSY, FUEL	1	1	1					
2	2	104200-55321	VALVE, TAPER	1	1	1					
3	2	104200-55330	SPRING, VALVE	1	1	1					
4	2	129100-55650	ELEMENT	1	1	1					
6	2	129100-55670	LEVER	1	1	1					
7	2	129100-55680	CUP, STRAINER	1	1	1					
8	2	129100-55690	RING, RETAINING	1	1	1					
9	2	129100-55700	SPRING	1	1	1					
10	2	104200-55750	SCREW, M4	1	1	1					
11	2	24311-000160	O-RING, 1AP16.0	1	1	1					
12	2	24311-240100	O-RING, 1AP10A	1	1	1					
13	2	24321-000650	O-RING, 1AG65.0	1	1	1					
16	1	26014-080702	BOLT, M8X 70	1	1	1					
17	1	103854-39140	BOLT, PIPE JOINT	1	1	1					
18	1	101304-59020	JOINT, PIPE 12	1	1	1					
20	1	104200-59170	GASKET, 12	2	2	2					
20-1	1	22190-120002	WASHER, SEAL 12	2	2	2					N
		(A=E04833) (B=E04704) (C=E00103)									
20A	1	129210-59020	PIPE ASSY, FUEL	1	1	1					W
		(A=E07043) (B=E07153) (C=E00204)									
20B	2	124766-59050	CLIP, HOSE 12	2	2	2					W
		(A=E07043) (B=E07153) (C=E00204)									
21	2	129115-59510	PIPE, FUEL	1	1	1					
22	1	129255-59580	PIPE, FUEL	1	1	1					
22-1	1	129210-59130	PIPE ASSY, FUEL	1	1	1					N
		(A=E07043) (B=E07153) (C=E00204)									
22A	2	124766-59050	CLIP, HOSE 12	2	2	2					W
		(A=E07043) (B=E07153) (C=E00204)									
22B	2	105025-59750	PIPE, FUEL	1	1	1					W
		(A=E07043) (B=E07153) (C=E00204)									
23	1	124766-59050	CLIP, HOSE 12	2	2	2					Z
		(A=E07043) (B=E07153) (C=E00204)									

Fig.16. ENGINE CONTROL DEVICE

16.ENGINE CONTROL DEVICE



(A)=3TNE88-SA  
(B)=3TNE88-G1A  
(C)=3TNE88C-G1A

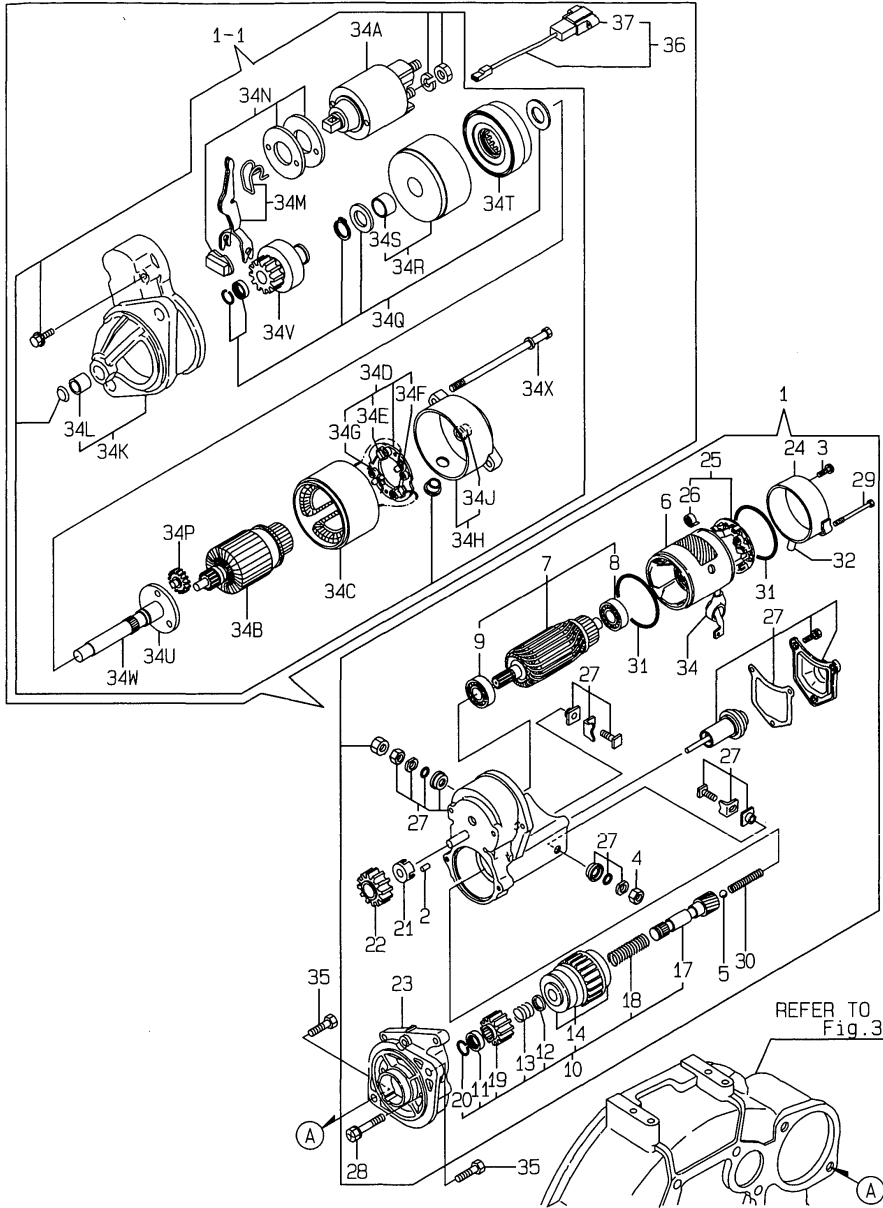
(D)=  
(E)=  
(F)=

No.	Lev.	Parts No.	Description	Q'ty						I	R
				(A)	(B)	(C)	(D)	(E)	(F)		
1	1	119888-66120	LINK, ENGINE CONTROL	1							
2	1	119888-66150	LINK		1						
3	1	26756-050002	NUT, LOCK M5	3	3	3					
3A	1	119888-66160 (A=E07093) (B=E07153) (C=E00214)	CONTROLLER ASSY	1	1	1					W
4	2	126650-66020	HANDLE, REGULATOR	1	1	1					
5	2	119888-66110	BRACKET	1	1	1					
6	2	119888-66130	PIVOT	1	1	1					
7	2	171048-67010	CONTROLLER ASSY	1	1	1					
8	3	171102-66080	WASHER	1	1	1					
9	3	104200-66820	SPRING	1	1	1					
10	3	104200-66830	PLATE, FRICTION	2	2	2					
11	3	104200-66850	WASHER	1	1	1					
12	3	104200-66860	NUT	1	1	1					
13	3	171085-67100	BRACKET	1	1	1					
14	3	171085-67110	SHAFT, DRIVE	1	1	1					
15	3	171085-67120	GEAR	1	1	1					
16	3	171048-67130	LEVER	1	1	1					
17	3	171048-67140	STOPPER	1	1	1					
18	3	22351-020006	PIN, SPRING 2.0X 6	1	1	1					
19	3	22411-200150	COTTER PIN	1	1	1					
20	3	26116-060082	BOLT, M6X 8 PLATED	1	1	1					
21	3	26921-050122	SCREW, M5X12	1	1	1					
22	2	170064-67210	LABEL, HANDLE	1	1	1					
23	2	22117-100000	WASHER, 10	1	1	1					
23-1	2	22137-100000 (A=EXXX) (B=EXXX) (C=EXXX)	WASHER, 10	1	1	1					N
24	2	22217-100000	WASHER, SPRING 10	1	1	1					
25	2	22272-000050	RING, E- 5	1	1	1					
26	2	26106-060102	BOLT, M6X 10 PLATED	2	2	2					
27	2	26657-100002	NUT, CAP M10	1	1	1					
27A	2	22117-060000 (A=EXXX) (B=EXXX) (C=EXXX)	WASHER, 6	1	1	1					W
28	1	26106-080162	BOLT, M8X 16 PLATED	2	2	2					



Fig.17. STARTING MOTOR(STANDARD)

17. STARTING MOTOR (STANDARD)



(A)=3TNE88-SA  
(B)=3TNE88-G1A  
(C)=3TNE88C-G1A

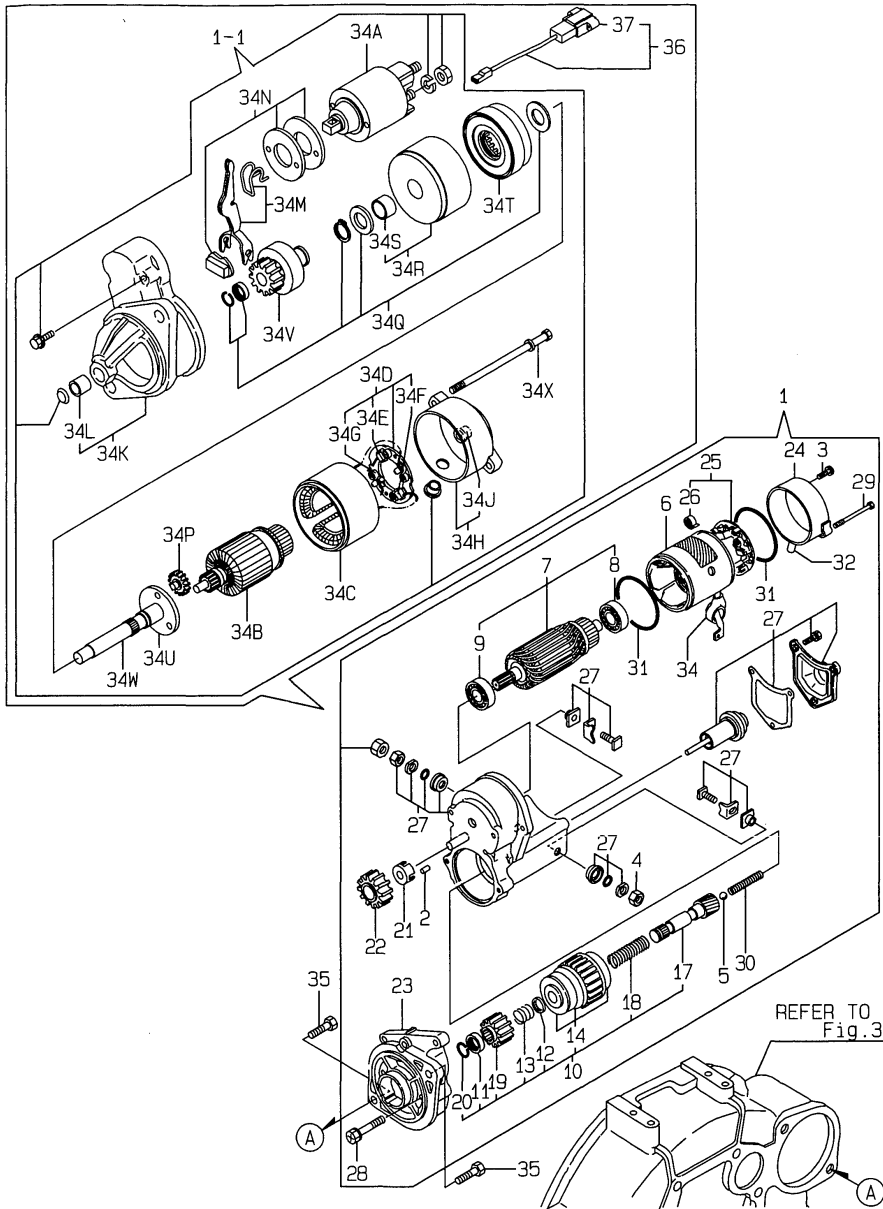
(D)=  
(E)=  
(F)=

No.	Lev.	Parts No.	Description	Qty						I	R
				(A)	(B)	(C)	(D)	(E)	(F)		
1	1	129129-77010	STARTER ASSY	1	1	1					
1-1	1	129698-77010 (A=E06848)	STARTER, 12V1.2KW	1							F 1
2	2	X0283060061 (A=E06848)	ROLLER	5	5	5					Z
3	2	X0289030010	SCREW	2	2	2					
3-1	2	129129-77460 (A=E05996) (B=E06079) (C=E00140)	SCREW	2	2	2					R
3-2	2	129129-77460 (A=E06848)	SCREW	2							Z
4	2	X9490561370 (A=E06848)	NUT	1	1	1					Z
5	2	X9491200240 (A=E06848)	BALL	1	1	1					Z
6	2	129129-77210 (A=E06848)	YOKE ASSY	1	1	1					Z
7	2	129129-77220 (A=E06848)	ARMATURE ASSY	1	1	1					Z
8	3	129129-77230 (A=E06848)	BEARING	1	1	1					Z
9	3	129129-77240 (A=E06848)	BEARING	1	1	1					Z
10	2	129129-77250 (A=E06848)	STARTER	1	1	1					Z
11	3	X0280210230 (A=E06848)	NUT	1	1	1					Z
12	3	X0283270140 (A=E06848)	RETAINER	1	1	1					Z
13	3	X9491703371 (A=E06848)	SPRING, COIL	1	1	1					Z
14	3	129129-77390 (A=E06848)	CLUTCH ASSY	1	1	1					Z
17	3	129129-77400 (A=E06848)	SHAFT	1	1	1					Z
18	3	129129-77410 (A=E06848)	SPRING, COIL	1	1	1					Z
19	3	129129-77420 (A=E06848)	PINION, STARTER	1	1	1					Z
20	3	129129-77430 (A=E06848)	RING	1	1	1					Z
21	2	129129-77260 (A=E06848)	RETAINER	1	1	1					Z
22	2	129129-77270 (A=E06848)	PINION	1	1	1					Z
23	2	129129-77280 (A=E06848)	HOUSING	1	1	1					Z
24	2	129129-77290 (A=E06848)	FRAME	1	1	1					Z
25	2	129129-77300 (A=E06848)	HOLDER ASSY	1	1	1					Z
26	3	X9491730461	SPRING	4	4	4					Z

Remarks  
(1) REF.NO.1-1 & 36 INTERCHANGEABLE BY SET.

Fig.17. STARTING MOTOR(STANDARD)

17. STARTING MOTOR (STANDARD)



(A)=3TNE88-SA  
(B)=3TNE88-G1A  
(C)=3TNE88C-G1A

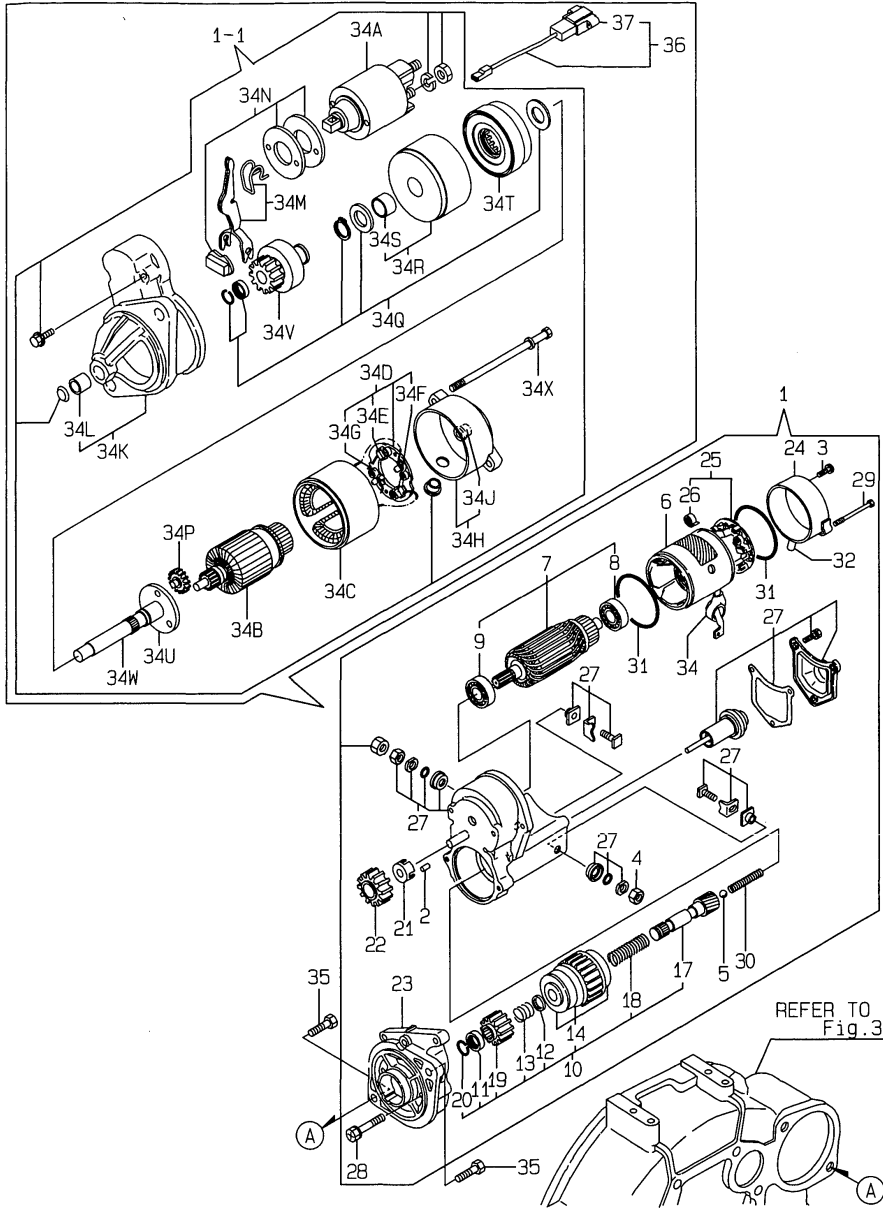
(D)=  
(E)=  
(F)=

No.	Lev.	Parts No.	Description	Q'ty						I	R
				(A)	(B)	(C)	(D)	(E)	(F)		
27	2	129129-77310 (A=E06848)	SWITCH ASSY	1	1	1					Z
28	2	129129-77320 (A=E06848)	BOLT	2	2	2					Z
29	2	129129-77330 (A=E06848)	BOLT	2	2	2					Z
30	2	129129-77340 (A=E06848)	SPRING	1	1	1					Z
31	2	129129-77350 (A=E06848)	O-RING	2	2	2					Z
32	2	129129-77361 (A=E05996)	BUSH	1	1	1					R
32-1	2	129129-77362 (B=E06079)	COVER	1	1	1					R
32-2	2	129129-77362 (C=E00140)	COVER	1							Z
34	2	129129-77380 (A=E06848)	CAP	1	1	1					Z
34A	2	129698-77020 (A=E06848)	SWITCH ASSY	1							W
34B	2	129698-77100 (A=E06848)	ARMATURE ASSY	1							W
34C	2	129698-77110 (A=E06848)	YOKE ASSY	1							W
34D	2	129698-77120 (A=E06848)	HOLDER ASSY, BRUSH	1							W
34E	3	129698-77140 (A=E06848)	BRUSH SET	1							W
34F	3	129698-77130 (A=E06848)	BRUSH	2							W
34G	3	129698-77150 (A=E06848)	SPRING, BRUSH	4							W
34H	2	129698-77161 (A=E06848)	COVER ASSY	1							W
34J	3	129698-77170 (A=E06848)	BEARING	1							W
34K	2	129698-77260 (A=E06848)	CASE ASSY	1							W
34L	3	X2114535200 (A=E06848)	METAL, STARTER	1							W
34M	2	129698-77270 (A=E06848)	LEVER SET, SHIFT	1							W
34N	2	129698-77280 (A=E06848)	COVER KIT	1							W
34P	2	129698-77240 (A=E06848)	GEAR	3							W
34Q	2	129698-77250 (A=E06848)	WASHER SET	1							W
34R	2	129698-77180 (A=E06848)	BRACKET	1							W
34S	3	129698-77190 (A=E06848)	BRACKET	1							W

Remarks  
(1) REF.NO.1-1 & 36 INTERCHANGEABLE BY SET.

Fig.17. STARTING MOTOR(STANDARD)

17. STARTING MOTOR (STANDARD)



(A)=3TNE88-SA  
(B)=3TNE88-G1A  
(C)=3TNE88C-G1A

(D)=  
(E)=  
(F)=

No.	Lev.	Parts No.	Description	Q'ty						I	R
				(A)	(B)	(C)	(D)	(E)	(F)		
34T	2	129698-77200	GEAR, INTERNAL	1							W
34U	2	129698-77210	BRACKET	1							W
34V	2	129698-77220	PINION ASSY	1							W
34W	2	129698-77230	SHAFT	1							W
34X	2	124195-77770	BOLT, THROUGH	2							W
35	1	26116-120252	BOLT, M12X 25 PLATED	2	2	2					
36	1	129052-77951	CONNECTOR, STARTER	1							W
37	2	129052-77960	HOUSING	1							W

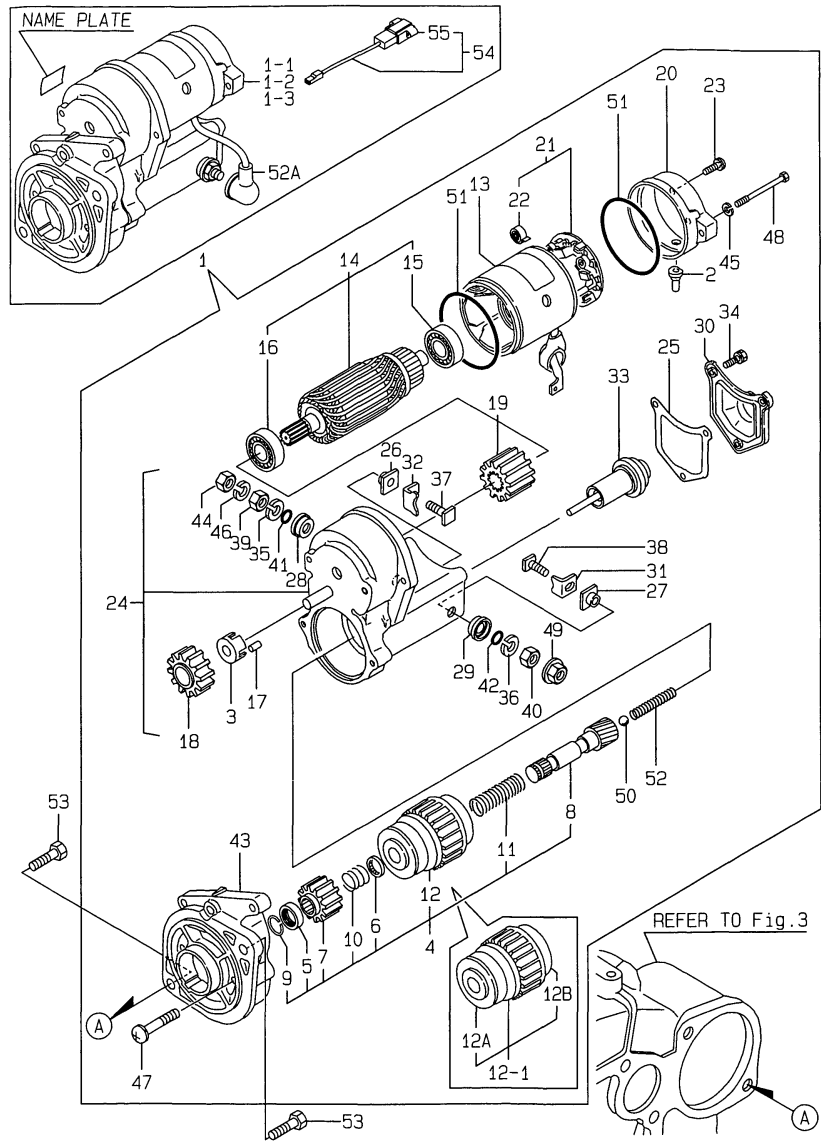
Remarks  
(1) REF.NO.1-1 & 36 INTERCHANGEABLE BY SET.

Fig.18. STARTING MOTOR(COLD DISTRICT)

(A)=3TNE88-SA  
(B)=3TNE88-G1A  
(C)=3TNE88C-G1A

(D)=  
(E)=  
(F)=

18. STARTING MOTOR (COLD DISTRICT)



Remarks  
(1) REF.NO.1-1 & 54 INTERCHANGEABLE BY SET.  
SEE GROUP NO.22 FOR MORE DETAIL.  
(2) NAME PLATE= BLACK(121120-77012).  
(3) NAME PLATE= RED(129407-77010).

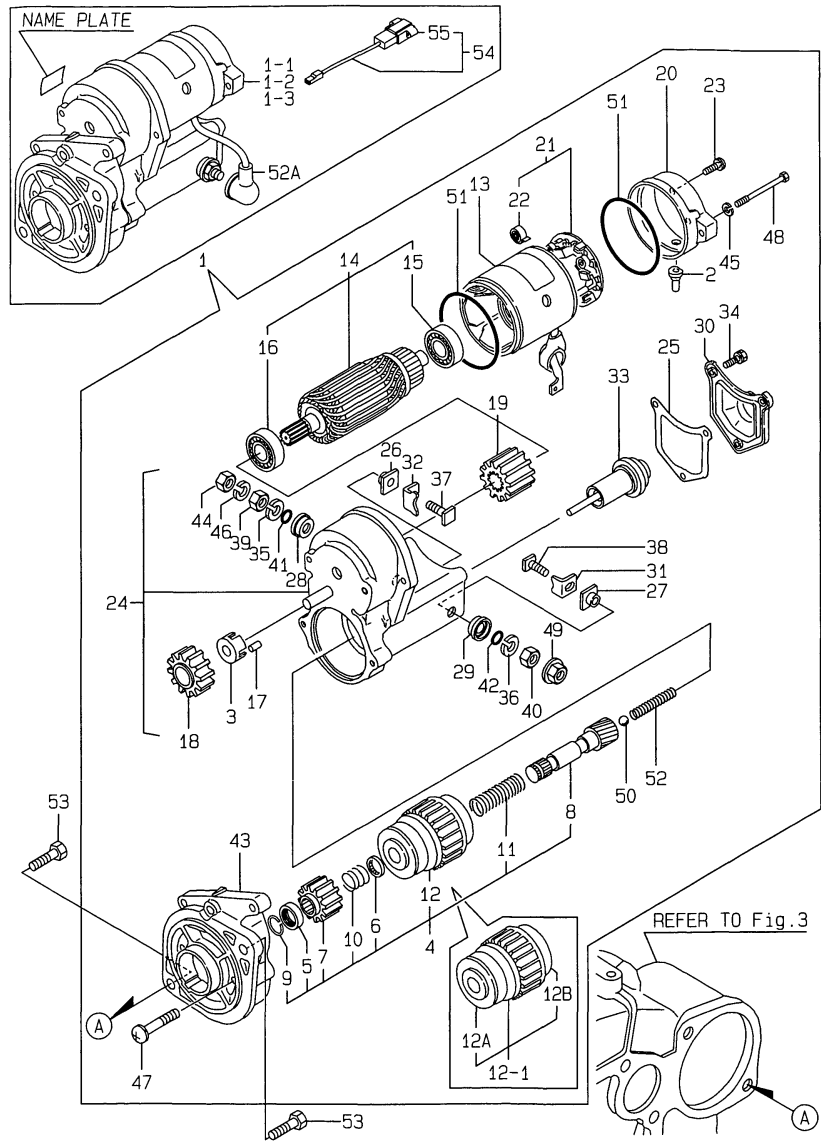
No.	Lev.	Parts No.	Description	Q'ty						I	R
				(A)	(B)	(C)	(D)	(E)	(F)		
1	1	121120-77011	STARTER	1	1						
1-1	1	121120-77012	STARTER, RA1.4	1	1	1					R 2
		(A=E03814) (B=E03598)									
1-2	1	129407-77010	STARTER, RA1.4	1	1	1					R 3
		(A=E06362) (B=E06304) (C=E00151)									
1-3	1	129608-77010	STARTER, S114-817A	1							F 1
		(A=E06848)									
2	2	X0280620480	COVER	1	1						
2-1	2	129129-77362	COVER	1	1	1					S 2
		(A=E03814) (B=E03598)									
3	2	X0280630011	RETAINER	1	1						
3-1	2	129129-77260	RETAINER	1	1	1					S 2
		(A=E03814) (B=E03598)									
4	2	X0280992381	CLUTCH KIT	1	1						
4-1	2	121120-77250	STARTER	1	1	1					S 2
		(A=E03814) (B=E03598)									
4-2	2	129407-77250	STARTER	1	1	1					S 3
		(A=E06362) (B=E06304) (C=E00151)									
5	3	X0280210230	NUT	1	1	1					
6	3	X0283270140	RETAINER	1	1						
6-1	3	129129-77260	RETAINER	1	1	1					S 2
		(A=E03814) (B=E03598)									
6-2	3	X0283270140	RETAINER	1	1	1					S 3
		(A=E06362) (B=E06304) (C=E00151)									
7	3	X0283711770	PINION	1	1						
7-1	3	129129-77270	PINION	1	1	1					S 2
		(A=E03814) (B=E03598)									
7-2	3	129129-77420	PINION, STARTER	1	1	1					S 3
		(A=E06362) (B=E06304) (C=E00151)									
8	3	X0283810040	SHAFT	1	1						
8-1	3	129129-77400	SHAFT	1	1	1					S 2
		(A=E03814) (B=E03598)									
9	3	X9490721080	RING	1	1						
9-1	3	129129-77430	RING	1	1	1					S 2
		(A=E03814) (B=E03598)									
10	3	X9491703371	SPRING, COIL	1	1						
10-1	3	129407-77410	SPRING	1	1	1					S 2
		(A=E03814) (B=E03598)									
11	3	X9491704260	SPRING	1	1						
11-1	3	129129-77410	SPRING, COIL	1	1	1					S 2
		(A=E03814) (B=E03598)									
12	3	121120-77930	CASE ASSY, STARTER	1	1						
12-1	3	129129-77390	CLUTCH ASSY	1	1	1					S 2
		(A=E03814) (B=E03598)									
12-2	3	129407-77390	CLUTCH ASSY	1	1	1					S 3
		(A=E06362) (B=E06304) (C=E00151)									
12A	4	129129-77440	BEARING, BALL	1	1	1					W
		(A=E03814) (B=E03598)									
12B	4	129129-77450	BEARING, BALL	1	1	1					W
		(A=E03814) (B=E03598)									
13	2	X0281003770	YOKE ASSY	1	1						

Fig.18. STARTING MOTOR(COLD DISTRICT)

(A)=3TNE88-SA  
(B)=3TNE88-G1A  
(C)=3TNE88C-G1A

(D)=  
(E)=  
(F)=

18. STARTING MOTOR (COLD DISTRICT)



No.	Lev.	Parts No.	Description	Q'ty						I	R
				(A)	(B)	(C)	(D)	(E)	(F)		
13-1	2	129407-77210 (A=E03814) (B=E03598)	YOKE ASSY	1	1	1				S	2
14	2	X0282002320	HOUSING ASSY	1	1						
14-1	2	129407-77220 (A=E03814) (B=E03598)	ARMATURE ASSY	1	1	1				S	2
15	3	X9491002590	BALL BEARING	1	1						
15-1	3	129129-77230 (A=E03814) (B=E03598)	BEARING	1	1	1				S	2
16	3	X9491002760	BALL BEARING	1	1						
16-1	3	129129-77240 (A=E03814) (B=E03598)	BEARING	1	1	1				S	2
17	2	X0283060061	ROLLER	5	5	5					
18	2	X0283711420	PINION	1	1						
18-1	2	129129-77270 (A=E03814) (B=E03598)	PINION	1	1	1				S	2
19	2	X0283712360 (A=E03814) (B=E03598)	PINION	1	1					Z	
20	2	X0285011600	FRAME	1	1						
20-1	2	129407-77290 (A=E03814) (B=E03598)	FRAME	1	1	1				S	2
20-2	2	129129-77290 (A=E06362) (B=E06304) (C=E00151)	FRAME	1	1	1				S	3
21	2	X0285100750	HOLDER ASSY, BRUSH	1	1						
21-1	2	129407-77300 (A=E03814) (B=E03598)	HOLDER ASSY	1	1	1				S	2
22	3	X9491730461	SPRING	4	4	4					
23	2	X0289030010	SCREW	2	2						
23-1	2	129129-77460 (A=E03814) (B=E03598)	SCREW	2	2	2				S	2
24	2	X0534006470	SWITCH ASSY, MAGNET.	1	1						
24-1	2	129407-77310 (A=E03814) (B=E03598)	SWITCH ASSY	1	1	1				S	2
25	3	X0534040320 (A=E03814) (B=E03598)	GASKET	1	1					Z	
26	3	X0534490120 (A=E03814) (B=E03598)	BUSH	1	1					Z	
27	3	X0534490120 (A=E03814) (B=E03598)	BUSH	1	1					Z	
28	3	X0534490230 (A=E03814) (B=E03598)	BUSH	1	1					Z	
29	3	X0534490230 (A=E03814) (B=E03598)	BUSH	1	1					Z	
30	3	X0535050620 (A=E03814) (B=E03598)	COVER	1	1					Z	
31	3	X0535130241 (A=E03814) (B=E03598)	PLATE	1	1					Z	
32	3	X0535130320 (A=E03814) (B=E03598)	PLATE	1	1					Z	
33	3	X0536600401 (A=E03814) (B=E03598)	PLUNGER	1	1					Z	
34	3	X9151005141	BOLT	3	3					Z	

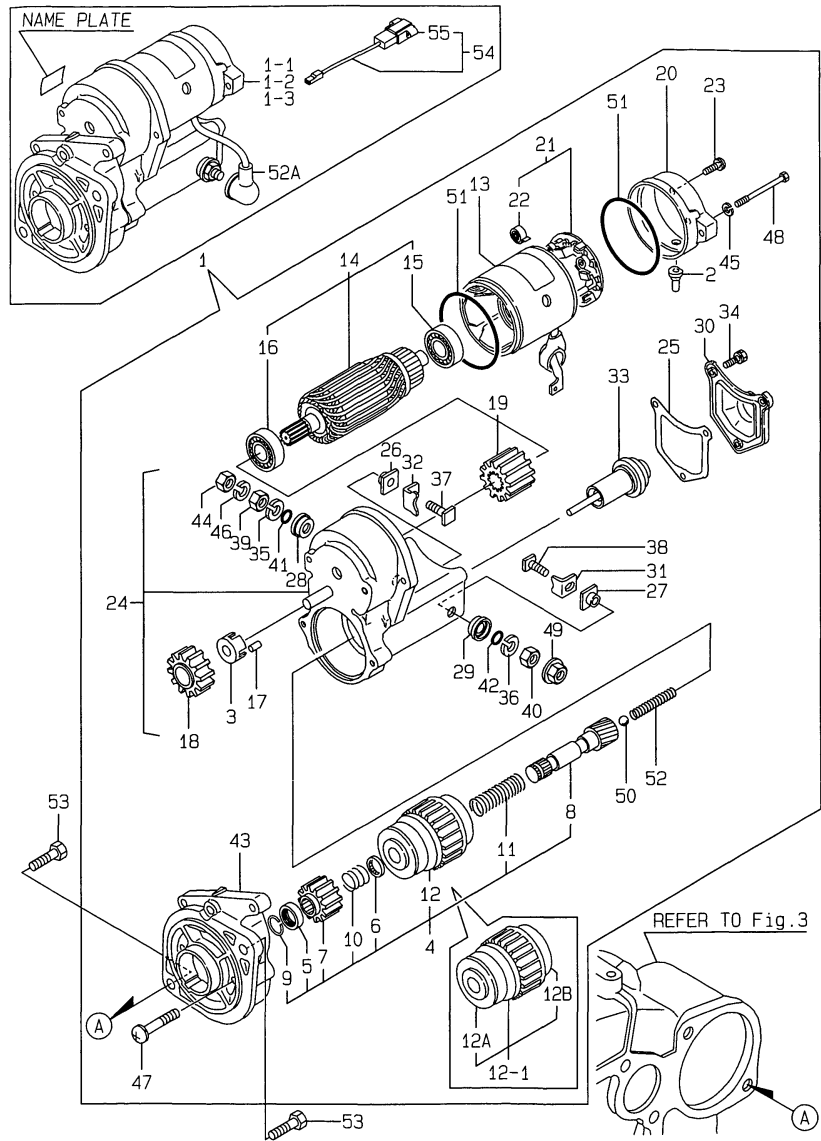
Remarks  
 (1) REF.NO.1-1 & 54 INTERCHANGEABLE BY SET.  
 SEE GROUP NO.22 FOR MORE DETAIL.  
 (2) NAME PLATE= BLACK(121120-77012).  
 (3) NAME PLATE= RED(129407-77010).

Fig.18. STARTING MOTOR(COLD DISTRICT)

(A)=3TNE88-SA  
(B)=3TNE88-G1A  
(C)=3TNE88C-G1A

(D)=  
(E)=  
(F)=

18. STARTING MOTOR (COLD DISTRICT)



No.	Lev.	Parts No.	Description	Q'ty						I	R	
				(A)	(B)	(C)	(D)	(E)	(F)			
		(A=E03814) (B=E03598)										
35	3	X9490170900	WASHER	1	1							Z
		(A=E03814) (B=E03598)										
36	3	X9490170900	WASHER	1	1							Z
		(A=E03814) (B=E03598)										
37	3	X9490441303	BOLT	1	1							Z
		(A=E03814) (B=E03598)										
38	3	X9490441312	BOLT	1	1							Z
		(A=E03814) (B=E03598)										
39	3	X9490502820	NUT	1	1							Z
		(A=E03814) (B=E03598)										
40	3	X9490502820	NUT	1	1							Z
		(A=E03814) (B=E03598)										
41	3	X9491402100	O-RING	1	1							Z
		(A=E03814) (B=E03598)										
42	3	X9491402100	O-RING	1	1							Z
		(A=E03814) (B=E03598)										
43	2	X1284000710	HOUSING	1	1							
43-1	2	121120-77280	HOUSING	1	1	1						S 2
		(A=E03814) (B=E03598)										
43-2	2	129407-77280	HOUSING	1	1	1						S 3
		(A=E06362) (B=E06304) (C=E00151)										
44	2	X9019008651	NUT	1	1							
45	2	X9025806001	WASHER	2	2							Z
		(A=E03814) (B=E03598)										
46	2	X9025808001	WASHER	1	1							Z
		(A=E03814) (B=E03598)										
47	2	X9490071970	SCREW	2	2							
47-1	2	129129-77320	BOLT	2	2	2						S 2
		(A=E03814) (B=E03598)										
48	2	X9490422570	BOLT	2	2							
48-1	2	129407-77330	BOLT	2	2	2						S 2
		(A=E03814) (B=E03598)										
49	2	X9490561370	NUT	1	1	1						
50	2	X9491200240	BALL	1	1	1						
51	2	X9491403700	O-RING	2	2							
51-1	2	129129-77350	O-RING	2	2	2						S 2
		(A=E03814) (B=E03598)										
52	2	X9491703380	SPRING	1	1							
52-1	2	129129-77340	SPRING	1	1	1						S 2
		(A=E03814) (B=E03598)										
52A	2	129129-77380	CAP	1	1	1						W
		(A=E03814) (B=E03598)										
53	1	26116-120252	BOLT, M12X 25 PLATED	2	2	2						
54	1	129052-77951	CONNECTOR, STARTER	1								W
		(A=E06848)										
55	2	129052-77960	HOUSING	1								W
		(A=E06848)										

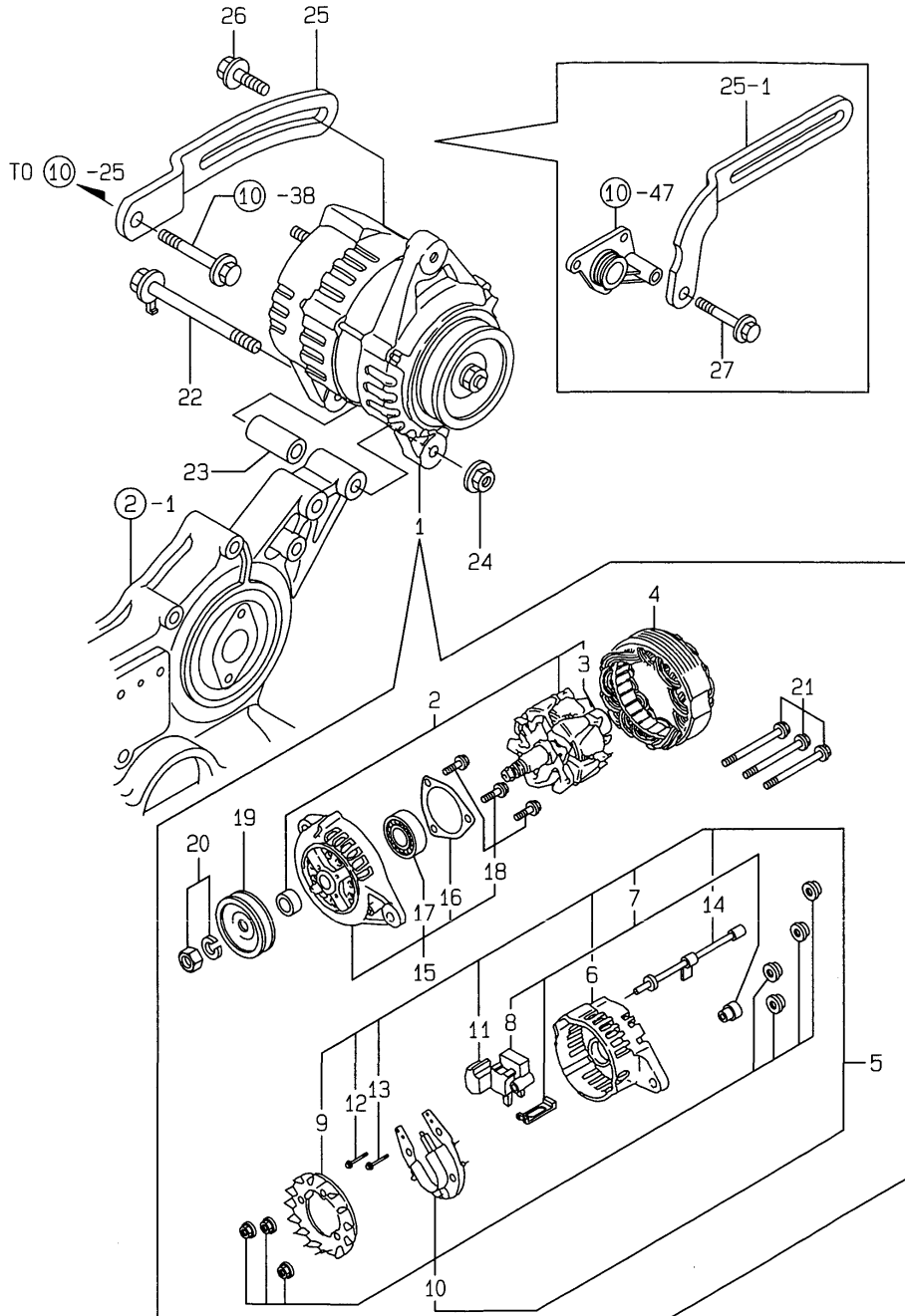
Remarks  
 (1) REF.NO.1-1 & 54 INTERCHANGEABLE BY SET.  
 SEE GROUP NO.22 FOR MORE DETAIL.  
 (2) NAME PLATE= BLACK(121120-77012).  
 (3) NAME PLATE= RED(129407-77010).

Fig.19. GENERATOR

(A)=3TNE88-SA  
(B)=3TNE88-G1A  
(C)=3TNE88C-G1A

(D)=  
(E)=  
(F)=

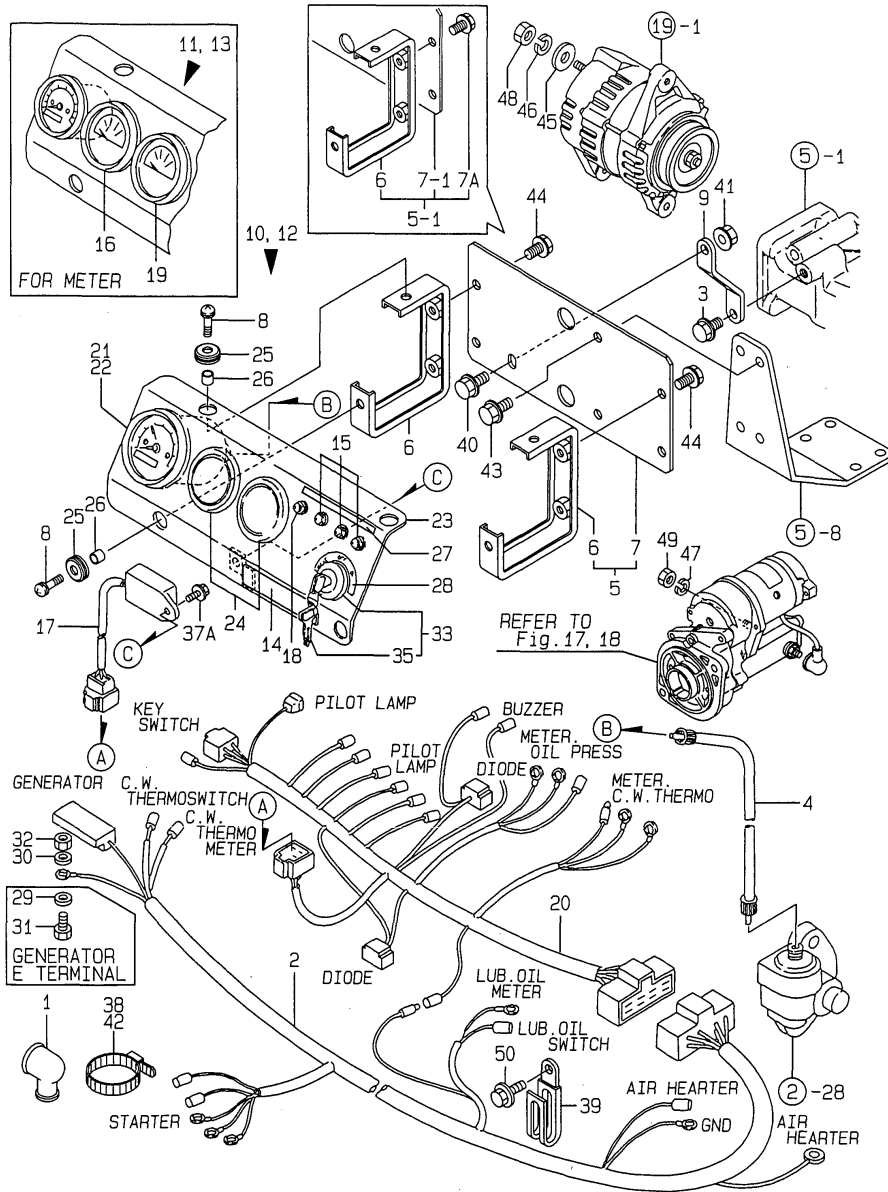
19. GENERATOR



No.	Lev.	Parts No.	Description	Qty						I	R
				(A)	(B)	(C)	(D)	(E)	(F)		
1	1	119836-77200	GENERATOR	1	1	1					
2	2	119836-77700	ROTOR ASSY	1	1	1					
3	3	119836-77850	BALL BEARING	1	1	1					
4	2	119836-77710	STATOR ASSY	1	1	1					
5	2	119836-77721	COVER ASSY, REAR	1	1	1					
6	3	119836-77730	COVER, REAR	1	1	1					
7	3	119836-77741	BRUSH ASSY,REGULATOR	1	1	1					
8	4	119836-77750	BRUSH ASSY	1	1	1					
9	3	119836-77760	GUIDE, FAN SIDE	1	1	1					
10	3	119836-77770	DIODE ASSY	1	1	1					
11	3	119836-77780	CONDENSER	1	1	1					
12	3	119836-77871	BOLT (1)	1	1	1					
13	3	119836-77880	BOLT (2)	1	1	1					
14	3	119836-77890	WIRE ASSY, LEAD	1	1	1					
15	2	119836-77790	COVER ASSY, FRONT	1	1	1					
16	3	119836-77800	RETAINER, BEARING	1	1	1					
17	3	119836-77840	BALL BEARING	1	1	1					
18	3	119836-77860	SCREW KID	1	1	1					
19	2	119836-77810	PULLEY	1	1	1					
20	2	119836-77820	NUT ASSY, PULLEY	1	1	1					
21	2	119836-77830	BOLT, THROUGH	1	1	1					
22	1	129136-77250	BOLT M 8X105	1	1	1					
22-1	1	129136-77251	BOLT, M8X110	1	1	1					N
		(A=E06848)	(B=E06806)	(C=E00172)							
23	1	119820-77340	PIECE, DISTANCE	1	1	1					
24	1	26366-080002	NUT, M8	1	1	1					
24-1	1	129612-77260	NUT, ALTERNATOR	1	1	1					R
		(A=E04636)	(B=E04520)	(C=E00172)							
25	1	129410-77330	ADJUSTER	1	1						
25-1	1	129100-77330	ADJUSTER	1	1	1					N
		(A=E04636)	(B=E04520)								
26	1	26014-080252	BOLT, M8X 25	1	1	1					
26-1	1	119810-77340	BOLT, ADJUSTER	1	1	1					N
		(A=E06848)	(B=E06806)	(C=E00172)							
27	1	26106-080502	BOLT, M8X 50 PLATED	1	1	1					W
		(A=E04636)	(B=E04520)								

Fig.20. PANEL

20. PANEL



Remarks  
 (1) WITH C.W.THERMOMETER(REF.NO.16,  
 P/# 171010-77850) & PRESSURE  
 GAUGE(REF.NO.19,P/# 171090-91010).

(A)=3TNE88-SA  
 (B)=3TNE88-G1A  
 (C)=3TNE88C-G1A

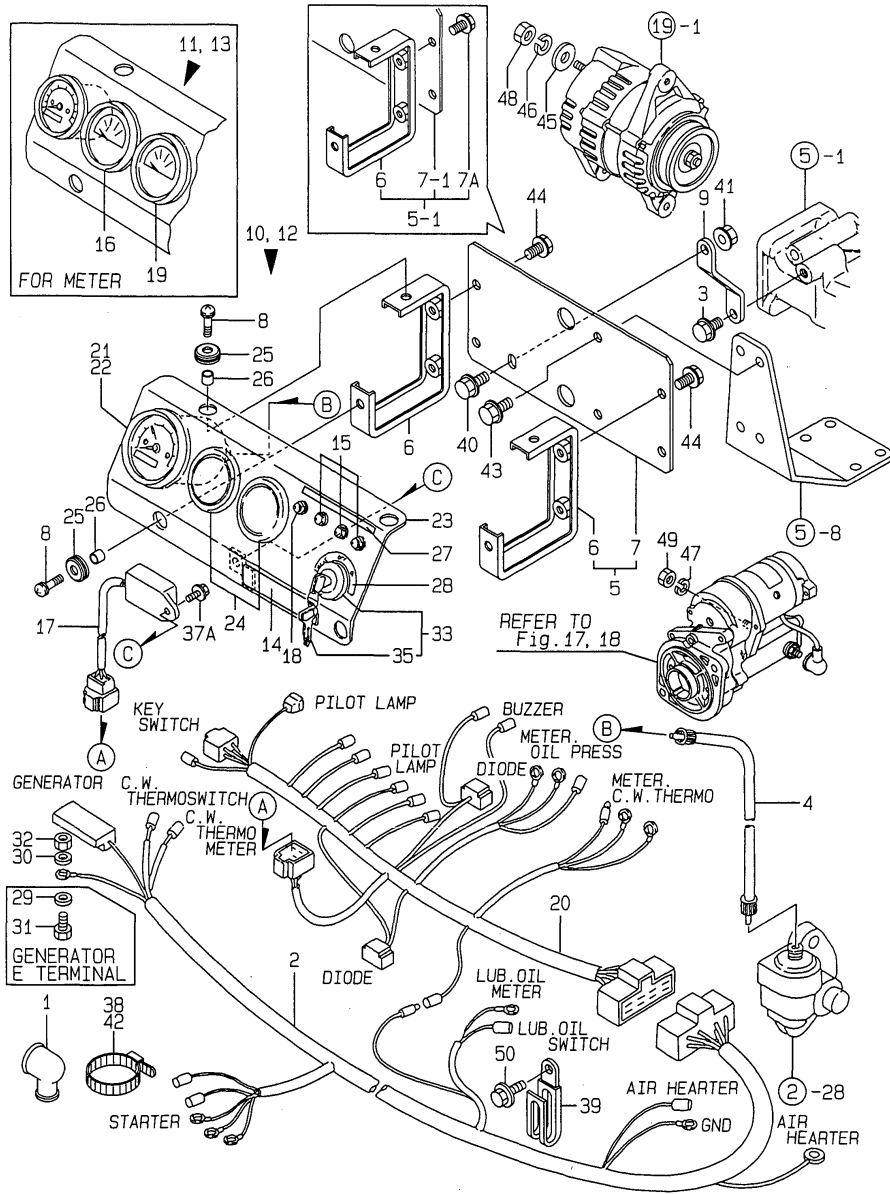
(D)=  
 (E)=  
 (F)=

No.	Lev.	Parts No.	Description	Q'ty						I	R
				(A)	(B)	(C)	(D)	(E)	(F)		
1	1	124550-77030	COVER, TERMINAL	1	1	1					
2	1	119888-91021	HARNESS (A), WIRE	1	1						
2-1	1	119888-91022	HARNESS, WIRE	1	1	1					N
3	1	(A=E03814) 26106-080162	BOLT, M8X 16 PLATED	1							
4	1	(B=E02941) 121400-91140	SHAFT	1	1	1					
5	1	129608-91150	BRACKET ASSY	1	1	1					
5-1	1	129608-91151	BRACKET ASSY	1	1	1					N
		(A=E05876) (B=E05860) (C=E00140)									
6	2	119888-91120	SUPPORT	2	2	2					
7	2	129608-91130	BRACKET, PANEL	1	1	1					
7-1	2	129608-91131	BRACKET, PANEL	1	1	1					N
		(A=E05876) (B=E05860) (C=E00140)									
7A	2	26106-080122	BOLT, M8X 12 PLATED	4	4	4					W
		(A=E05876) (B=E05860) (C=E00140)									
8	1	26033-060202	SCREW M 6X 20	4	4	4					
9	1	129608-91140	RETAINER, PANEL	1	1	1					
10	1	119888-91101	PANEL ASSY	1							
11	1	119888-91201	PANEL ASSY	1							1
12	1	119888-91301	PANEL ASSY, INSTRUM		1	1					
13	1	119888-91311	PANEL ASSY		1	1					1
14	2	104507-07190	LABEL, YANMAR	1	1	1					
15	2	124732-77720	LAMP, CHARGING	3	3	3					
16	2	171010-77850	THERMOSTAT	1	1	1					
17	2	128300-77920	TIMER	1	1	1					
18	2	124559-77971	LAMP, PILOT	1	1	1					
19	2	171090-91010	GAUGE	1	1	1					
20	2	119888-91031	HARNESS, WIRE	1	1	1					
21	2	171080-91100	TACHOMETER	1							
22	2	171082-91100	TACHOMETER		1	1					
23	2	119888-91110	BODY, PANEL	1	1	1					
24	2	124770-91220	COVER	2	2	2					
25	2	121400-91520	ABSORBER	4	4	4					
26	2	121400-91530	SPACER	4	4	4					
27	2	119888-91610	LABEL, CW & OIL LAMP	1	1	1					
28	2	119888-91620	LABEL, KEY SWITCH	1	1	1					
29	2	22117-050000	WASHER, 5	1							Z
		(A=E05876)									
30	2	22117-050000	WASHER, 5	1							Z
		(A=E05876)									
31	2	26116-050102	BOLT, M5X 10 PLATED	1							Z
		(A=E05876)									
32	2	26716-050002	NUT, M5	1							Z
		(A=E05876)									
33	2	933110-00100	SWITCH ASSY, STARTER	1	1	1					
35	3	933110-00301	KEY ASSY	1	1	1					
37A	2	26106-060102	BOLT, M6X 10 PLATED	1	1	1					W
		(A=E05876) (B=E05860) (C=E00140)									
38	1	121750-59890	BAND, 140	1	1	1					
39	1	194180-51640	CLAMP, HARNESS	1	1	1					
40	1	26106-080162	BOLT, M8X 16 PLATED	1							



Fig.20. PANEL

20. PANEL



(A)=3TNE88-SA  
(B)=3TNE88-G1A  
(C)=3TNE88C-G1A

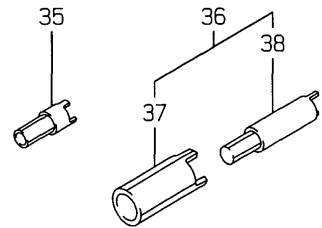
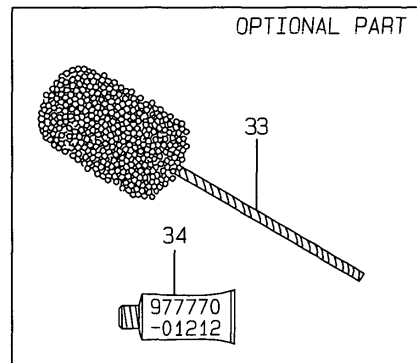
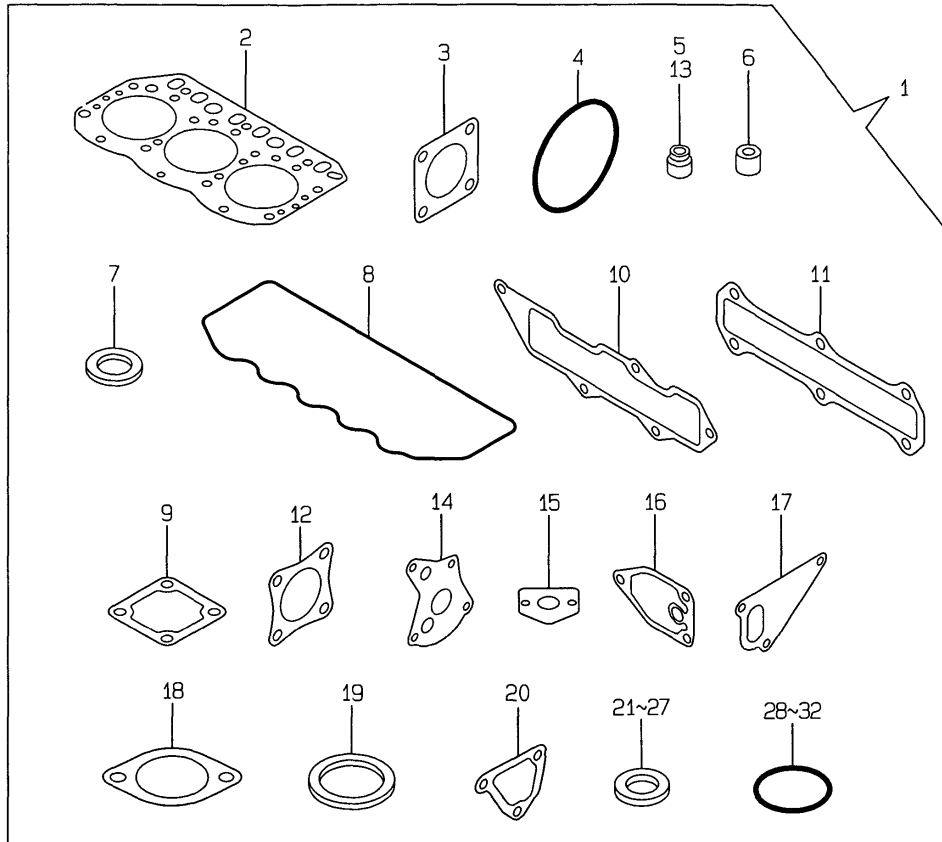
(D)=  
(E)=  
(F)=

No.	Lev.	Parts No.	Description	Q'ty						I	R
				(A)	(B)	(C)	(D)	(E)	(F)		
41	1	26366-080002	NUT, M8	1							
41-1	1	26306-080002	NUT, M8	1							N
(A=EXXX)											
42	1	121750-59890	BAND, 140	1							
43	1	26106-080162	BOLT, M8X 16 PLATED	2	2	2					
44	1	26033-060202	SCREW M 6X 20	4	4	4					Z
(A=EXXX) (B=EXXX) (C=EXXX)											
45	1	22117-050000	WASHER, 5	1	1	1					W
(A=EXXX) (B=EXXX) (C=EXXX)											
46	1	22217-050000	WASHER, SPRING 5	1	1	1					W
(A=EXXX) (B=EXXX) (C=EXXX)											
47	1	22217-080000	WASHER, SPRING 8	1	1	1					W
(A=EXXX) (B=EXXX) (C=EXXX)											
48	1	26716-050002	NUT, M5	1	1	1					W
(A=EXXX) (B=EXXX) (C=EXXX)											
49	1	26756-080002	NUT, LOCK M8	1	1	1					W
(A=EXXX) (B=EXXX) (C=EXXX)											
50	1	26106-100122	BOLT, M10X 12 PLATED	1							W
(A=EXXX)											

Remarks  
(1) WITH C.W.THERMOMETER(REF.NO.16,  
P/# 171010-77850) & PRESSURE  
GAUGE(REF.NO.19,P/# 171090-91010).

# Fig.21. GASKET SET

## 21.GASKET SET

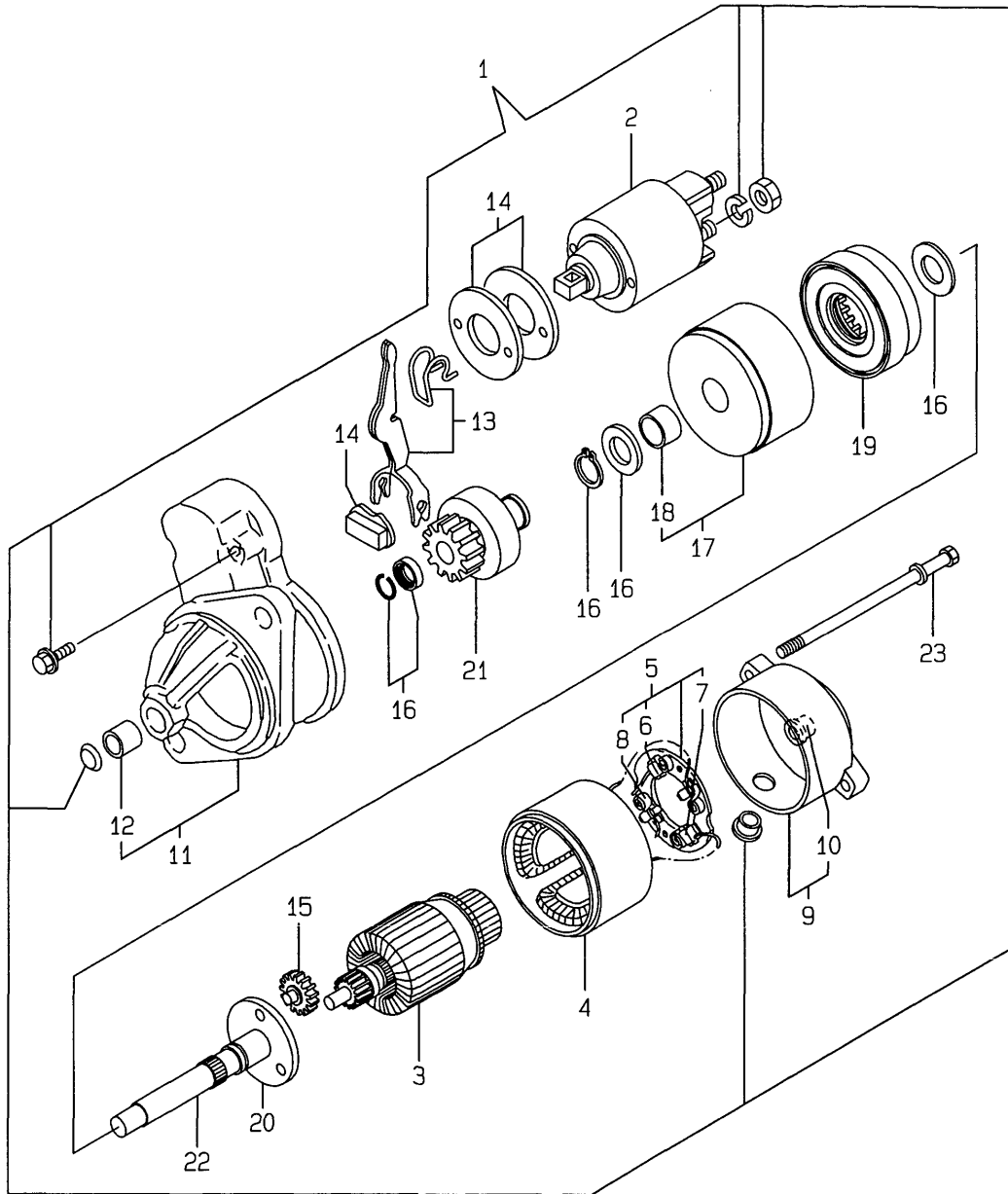


No.	Lev.	Parts No.	Description	Qty						I	R
				(A)	(B)	(C)	(D)	(E)	(F)		
1	1	729209-92600	GASKET SET	1	1	1					1
2	2	129001-01340	GASKET, HEAD	1	1	1					
3	2	124240-01883	GASKET	1	1	1					
4	2	121850-51960	O-RING	1	1	1					
5	2	121400-11340	SEAL, VALVE STEM	3	3	3					
6	2	119625-11871	PROTECTOR, NOZZLE	3	3	3					
6-1	2	119625-11870	PROTECTOR, NOZZLE	3	3	3					N
		(A=E0000) (B=E0000) (C=E0000)									
7	2	119625-11880	SEAT, NOZZLE	3	3	3					
8	2	129150-11310	GASKET, BONNET	1	1	1					
9	2	129150-77511	GASKET	1	1	1					
10	2	129001-12110	GASKET, MANIFOLD	1	1	1					
11	2	129001-13110	GASKET	1	1	1					
12	2	121000-13201	GASKET, SILENCER	1	1	1					
13	2	124460-11340	SEAL, VALVE STEM	3	3	3					
14	2	129150-32020	GASKET, PUMP	1	1	1					
15	2	129150-35041	GASKET	1	1	1					
16	2	129150-35111	GASKET	1	1	1					
17	2	129100-42020	GASKET, WATER PUMP	1	1	1					
18	2	129795-49551	GASKET	1	1	1					
19	2	129150-49811	GASKET, THERMOSTAT	1	1	1					
20	2	129100-49840	GASKET	1	1	1					
21	2	104200-59170	GASKET, 12	2	2	2					
21-1	2	22190-120002	WASHER, SEAL 12	2	2	2					N
		(A=E04833) (B=E04704) (C=E00103)									
22	2	22190-080002	WASHER, SEAL 6	5	5	5					
23	2	129150-49360	GASKET	1	1	1					
24	2	23414-120000	GASKET, 12X1.0	2	2	2					
25	2	124465-44950	GASKET, 16	2	2	2					
26	2	23414-080000	GASKET, 8X1.0	2	2	2					
26-1	2	22190-080002	WASHER, SEAL 6	2	2	2					N
		(A=E0000) (B=E0000) (C=E0000)									
27	2	23414-100000	GASKET, 10X1.0	2	2	2					
28	2	24311-000120	O-RING, 1AP12.0	3	3	3					
29	2	24311-000160	O-RING, 1AP16.0	3	3	3					
30	2	24311-000320	O-RING, 1AP32.0	2	2	2					
31	2	24341-000240	O-RING, 1AS24.0	1	1	1					
32	2	24341-000500	O-RING, 1AS50.0	1	1	1					
33	1	129400-92430	HONE	1	1	1					1
34	1	977770-01212	GASKET, LIQUID	1	1	1					1
35	1	119621-99100	TOOL, CARB IDLE (C=E0000)			1					W
36	1	119621-99400	BOX, TOOL (C=E0000)			1					W
37	2	119621-99200	TOOL, CARB A (C=E0000)			1					W
38	2	119621-99300	TOOL, CARB B (C=E0000)			1					W

Remarks  
(1) OPTIONAL PART.

Fig.22. STARTING MOTOR

22.STARTING MOTOR (COLD DISTICT) (INNER PART)



(A)=3TNE88-SA  
(B)=3TNE88-G1A  
(C)=3TNE88C-G1A

(D)=  
(E)=  
(F)=

No.	Lev.	Parts No.	Description	Q'ty						I	R
				(A)	(B)	(C)	(D)	(E)	(F)		
1	1	129608-77010	STARTER, S114-817A	1							
2	2	129698-77020	SWITCH ASSY	1							
3	2	129698-77100	ARMATURE ASSY	1							
4	2	129608-77110	YOKE ASSY	1							
5	2	129698-77120	HOLDER ASSY, BRUSH	1							
6	3	129698-77140	BRUSH SET	1							
7	3	129698-77130	BRUSH	2							
8	3	129698-77150	SPRING, BRUSH	4							
9	2	129698-77160	COVER ASSY	1							
10	3	129698-77170	BEARING	1							
11	2	129698-77260	CASE ASSY	1							
12	3	X2114535200	METAL, STARTER	1							
13	2	129698-77270	LEVER SET, SHIFT	1							
14	2	129698-77280	COVER KIT	1							
15	2	129698-77240	GEAR	3							
16	2	129698-77250	WASHER SET	1							
17	2	129698-77180	BRACKET	1							
18	3	129698-77190	BRACKET	1							
19	2	129698-77200	GEAR, INTERNAL	1							
20	2	129698-77210	BRACKET	1							
21	2	129698-77220	PINION ASSY	1							
22	2	129698-77230	SHAFT	1							
23	2	124195-77770	BOLT, THROUGH	2							

Remarks  
USED FROM E06848.

## Parts No. Index

Parts No.	Fig. No.	Ref. No.
101304-59020	15	18
103854-39140	15	17
104200-55321	15	2
104200-55330	15	3
104200-55750	15	10
104200-59170	15	20
	21	21
104200-66820	16	9
104200-66830	16	10
104200-66850	16	11
104200-66860	16	12
104507-07190	20	14
105025-59750	14	67
	15	22 B
114250-53080	14	8
114250-53120	14	12
114250-53130	14	13
114250-53140	14	14
114250-53210	14	15
114250-53400	14	16
119131-18320	6	5 -1
119259-44570	11	5
		43
119305-59120	14	23
119358-13640	6	13
119600-66840	13	81 A
119620-01750	3	7
119620-13501	6	8
119620-13510	6	9
119620-13520	6	10
119620-13560	6	11
119621-66610	13	92
119621-66710	13	94
119621-99100	21	35
119621-99200	21	37
119621-99300	21	38
119621-99400	21	36
119625-11870	4	26 -1
	21	6 -1
119625-11871	4	26
	21	6
119625-11880	4	27
	21	7
119625-11900	4	28
119640-01640	3	14
119653-77950	13	88
119660-61901	13	65
119685-61940	13	81 B
119685-61950	13	81 C
119808-12520	5	17

Parts No.	Fig. No.	Ref. No.
119808-12520	5	22
119808-12530	5	18
		23
119808-12540	5	19
		25
119810-51040	12	7
119810-53000	14	4
119810-77340	19	26 -1
119820-77340	19	23
119822-12500	5	20
119822-12510	5	21
119836-77200	19	1
119836-77700	19	2
119836-77710	19	4
119836-77721	19	5
119836-77730	19	6
119836-77741	19	7
119836-77750	19	8
119836-77760	19	9
119836-77770	19	10
119836-77780	19	11
119836-77790	19	15
119836-77800	19	16
119836-77810	19	19
119836-77820	19	20
119836-77830	19	21
119836-77840	19	17
119836-77850	19	3
119836-77860	19	18
119836-77871	19	12
119836-77880	19	13
119836-77890	19	14
119840-59560	14	52
119840-59570	14	53
119843-61540	13	54
119865-21600	8	17
		25
119888-01600	3	2
119888-08110	11	2
119888-21450	8	50
119888-66110	16	5
119888-66120	16	1
119888-66130	16	6
119888-66150	16	2
119888-66160	16	3 A
119888-91021	20	2
119888-91022	20	2 -1
119888-91031	20	20
119888-91101	20	10
119888-91110	20	23

Parts No.	Fig. No.	Ref. No.
119888-91120	20	6
119888-91201	20	11
119888-91301	20	12
119888-91311	20	13
119888-91610	20	27
119888-91620	20	28
119888-61070	13	9 A
119888-61400	13	22 A
119888-61460	13	29 A
120130-11860	4	12
121000-13201	6	7
	21	12
121023-01550	2	25
121025-49150	11	39 -1
121111-21501	8	13
121120-77011	18	1
121120-77012	18	1 -1
121120-77250	18	4 -1
121120-77280	18	43 -1
121120-77930	18	12
121250-44901	10	42
121250-59550	14	51
121256-44600	11	29
121400-11340	4	23
	21	5
121400-44650	11	7
121400-91140	20	4
121400-91520	20	25
121400-91530	20	26
121450-01560	2	6
121450-42450	10	41
121476-01620	3	6
121520-34810	9	18
121520-49160	11	39
121521-12400	5	7
121550-23200	8	39
121550-49111	10	14
121737-49150	11	38 -1
121737-49160	11	38
121750-59890	11	45
	20	38
		42
121850-11860	10	1
121850-21680	8	12
121850-51960	2	13
	21	4
121855-13821	6	14
121855-13830	6	15
122117-51560	12	51
122710-51090	12	11

Parts No.	Fig. No.	Ref. No.
123500-13840	6	16
124066-59100	14	50
124160-01751	2	7
	4	61
124160-01910	1	5
124160-11360	4	59
124160-39140	9	34
124160-39450	9	33
124195-77770	17	34 X
	22	23
124240-01871	2	8
124240-01883	2	9
	21	3
124250-49351	10	45
124450-44510	11	23
124450-44530	11	25
124450-44550	11	28
124450-44560	11	26
124460-11340	4	24
	21	13
124465-44950	10	43
		44
	21	25
124550-21600	8	21
124550-51350	12	33
124550-51370	12	34
124550-59820	9	39
124550-59830	9	38 A
124550-66370	13	67
124550-77030	20	1
124559-77971	20	18
124664-13580	6	12
124701-11911	6	24
124732-77720	20	15
124736-07900	4	6
124766-59050	11	37 B
		38 B
	14	64
		66
	15	20 B
		22 A
		23
124770-11770	10	26
124770-91220	20	24
124950-51190	12	18
126650-12680	5	26
126650-66020	16	4
128300-77920	20	17
129001-01250	1	12 -1
129001-01340	1	28

## Parts No. Index

Parts No.	Fig. No.	Ref. No.
129001-01340	21	2
129001-02930	1	26 A
129001-11700	4	8
129001-12100	5	1
129001-12110	5	3
	21	10
129001-13100	6	1
129001-13110	6	2
	21	11
129001-21000	8	1
129001-22081	8	26
129001-22500	8	28
129001-22900	8	42
129001-22950	8	44
129001-32001	9	1
129001-35300	9	29
129001-42001	10	2 -1
129001-42002	10	2 -2
129001-42040	10	47
129001-59811	14	29
129001-59821	14	36
129001-59831	14	43
129001-91840	2	21 -1
129002-59810	14	30
129002-59820	14	37
129002-59831	14	44
129051-12530	5	24
129052-55620	15	1
129052-59710	14	29 -1
129052-59720	14	36 -1
129052-59730	14	43 -1
129052-61050	13	7
129052-61060	13	8
129052-61070	13	9
129052-61390	13	36
129052-61500	13	37
129052-61540	13	53
129052-77951	17	36
	18	54
129052-77960	17	37
	18	55
129100-01580	3	1
		26
	8	2
129100-01640	3	27
129100-01730	3	17
129100-01760	3	19
129100-11100	4	18
129100-11110	4	19
129100-11240	4	30

Parts No.	Fig. No.	Ref. No.
129100-11350	4	48
129100-11650	4	38
129100-23910	8	38
129100-25061	7	9
129100-35301	9	24
129100-42002	10	2
129100-42020	10	13
	21	17
129100-49800	10	25
129100-49820	10	28
129100-49830	10	29
129100-49840	10	34
	21	20
129100-51300	12	28
129100-52100	12	96
129100-55650	15	4
129100-55670	15	6
129100-55680	15	7
129100-55690	15	8
129100-55700	15	9
129100-59951	14	55
129100-61400	13	22
129100-61440	13	83
129100-61650	13	84
129100-77330	19	25 -1
129115-59510	15	21
129116-61051	13	7 A
129120-44500	11	4
129120-44560	11	6
129120-77501	5	12
129129-01600	3	3
129129-14580	7	3
129129-77010	17	1
129129-77210	17	6
129129-77220	17	7
129129-77230	17	8
	18	15 -1
129129-77240	17	9
	18	16 -1
129129-77250	17	10
129129-77260	17	21
	18	3 -1
		6 -1
129129-77270	17	22
	18	7 -1
		18 -1
129129-77280	17	23
129129-77290	17	24
	18	20 -2
129129-77300	17	25

Parts No.	Fig. No.	Ref. No.
129129-77310	17	27
129129-77320	17	28
	18	47 -1
129129-77330	17	29
129129-77340	17	30
	18	52 -1
129129-77350	17	31
	18	51 -1
129129-77361	17	32
129129-77362	17	32 -1
		32 -2
	18	2 -1
129129-77380	17	34
	18	52 A
129129-77390	17	14
	18	12 -1
129129-77400	17	17
	18	8 -1
129129-77410	17	18
	18	11 -1
129129-77420	17	19
	18	7 -2
129129-77430	17	20
	18	9 -1
129129-77440	18	12 A
129129-77450	18	12 B
129129-77460	17	3 -1
		3 -2
	18	23 -1
129132-49050	10	39
129136-34800	9	17 -1
129136-77250	19	22
129136-77251	19	22 -1
129150-01200	1	27
129150-02020	1	7
129150-02450	7	4
129150-02870	1	29
129150-02930	1	24
129150-02940	1	32
129150-03020	4	50
129150-03070	4	51
129150-03080	4	52
129150-03100	2	11
129150-11230	4	39
129150-11280	4	33
129150-11290	4	34
129150-11310	4	55
	21	8
129150-11370	4	25
129150-11750	4	42

Parts No.	Fig. No.	Ref. No.
129150-11810	4	14
129150-14101	7	7
129150-14200	7	1
129150-14400	7	2
129150-21200	8	5
129150-21650	8	10
129150-23600	8	40
129150-23610	8	48
129150-25101	7	10
129150-25900	7	15
129150-25920	7	13
129150-32020	9	14
	21	14
129150-35041	9	19
	21	15
129150-35091	9	20
129150-35101	9	26
129150-35111	9	27
	21	16
129150-35151	9	28
129150-35350	9	30
129150-39450	9	35
129150-49080	11	34
129150-49100	11	33
129150-49360	10	46
	21	23
129150-49811	10	33
	21	19
129150-59131	14	26
129150-59580	14	54
129150-77511	5	13
	21	9
129150-91400	2	28
129155-11241	4	29
129155-11260	4	31
129155-11270	4	32
129155-42350	10	19
129155-49800	10	32
129155-51020	12	6
129155-51050	12	9
129155-51060	12	10
129155-51140	12	15
129155-51180	12	17
129155-51200	12	19
129155-51270	12	26
129155-51280	12	27
	13	4
129155-51320	12	31
129155-51340	12	32
129155-51370	12	35

## Parts No. Index

Parts No.	Fig. No.	Ref. No.
129155-51380	12	36
129155-51390	12	37
129155-51400	12	38
129155-51410	12	39
129155-51420	12	40
129155-51450	12	41
129155-51500	12	46
129155-51521	12	47
129155-51530	12	48
129155-51540	12	49
129155-51550	12	50
129155-51570	12	53
129155-51580	12	54
129155-51591	12	55
129155-51600	12	56
129155-51700	12	75
129155-51710	12	76
129155-51750	12	77
129155-51760	12	78
129155-51790	12	79
129155-51930	12	81
129155-51940	12	82
129155-52050	12	95
129155-61120	13	10
129155-61130	13	11
129155-61140	13	12
129155-61201	13	13
129155-61341	13	19
129155-61350	13	20
129155-61360	13	21
129155-61430	13	25
129155-61450	13	29
		29 -1
129155-61460	13	30
129155-61470	13	90
129155-61480	13	31
129155-61830	13	64
129155-61950	13	66
129156-51910	12	80
129188-08100	11	1
129188-21590	8	14
129188-44950	11	9
129188-44960	11	10
129188-44970	11	11
129188-44980	11	12
129202-22300	8	32
129210-49120	11	38 A
129210-49280	11	37 A
129210-59020	15	20 A
129210-59130	14	65 -1

Parts No.	Fig. No.	Ref. No.
129210-59130	15	22 -1
129211-44940	11	8
129211-49020	11	31 -1
129255-59580	14	65
	15	22
129350-49530	10	23
129350-49560	10	23 -1
129400-01520	2	5
129400-92430	21	33
129403-42380	10	18
129407-77010	18	1 -2
129407-77210	18	13 -1
129407-77220	18	14 -1
129407-77250	18	4 -2
129407-77280	18	43 -2
129407-77290	18	20 -1
129407-77300	18	21 -1
129407-77310	18	24 -1
129407-77330	18	48 -1
129407-77390	18	12 -2
129407-77410	18	10 -1
129410-77330	19	25
129412-61500	13	38
129420-44510	11	42
129470-39610	9	43
129470-51101	12	12 -1
129477-61720	13	87
129486-01670	3	30 -1
129500-61650	13	85
129503-53000	14	3
129506-51100	12	12
129608-12500	5	15
129608-12501	5	15 -1
129608-12510	5	16
129608-12511	5	16 -1
129608-12560	5	8 -1
129608-77010	18	1 -3
	22	1
129608-77110	22	4
129608-91130	20	7
129608-91131	20	7 -1
129608-91140	20	9
129608-91150	20	5
129608-91151	20	5 -1
129612-01600	3	4 -1
129612-77260	19	24 -1
129619-12210	5	6
129619-12560	5	8
129698-77010	17	1 -1
129698-77020	17	34 A

Parts No.	Fig. No.	Ref. No.
129698-77020	22	2
129698-77100	17	34 B
	22	3
129698-77110	17	34 C
129698-77120	17	34 D
	22	5
129698-77130	17	34 F
	22	7
129698-77140	17	34 E
	22	6
129698-77150	17	34 G
	22	8
129698-77160	22	9
129698-77161	17	34 H
129698-77170	17	34 J
	22	10
129698-77180	17	34 R
	22	17
129698-77190	17	34 S
	22	18
129698-77200	17	34 T
	22	19
129698-77210	17	34 U
	22	20
129698-77220	17	34 V
	22	21
129698-77230	17	34 W
	22	22
129698-77240	17	34 P
	22	15
129698-77250	17	34 Q
	22	16
129698-77260	17	34 K
	22	11
129698-77270	17	34 M
	22	13
129698-77280	17	34 N
	22	14
129795-01780	3	29
129795-01800	2	4
129795-01950	2	10
129795-02411	1	10
129795-11120	4	20
129795-11180	4	21
129795-21661	8	11
129795-49551	10	24
	21	18
144626-91560	9	45
158552-61900	13	75 -1
170064-67210	16	22

Parts No.	Fig. No.	Ref. No.
171010-77850	20	16
171048-67010	16	7
171048-67130	16	16
171048-67140	16	17
171051-01921	1	6
171080-91100	20	21
171082-91100	20	22
171085-67100	16	13
171085-67110	16	14
171085-67120	16	15
171090-91010	20	19
171102-66080	16	8
171301-01600	3	4
171301-01640	3	20
171301-49010	11	30
171301-49020	11	31
171340-21580	8	22
171340-21590	8	18
171340-21650	8	9
171340-44740	10	20
171350-03090	4	1
171353-44760	10	21
171353-61700	13	86
171375-39600	9	42
171375-39601	9	42 -1
171420-01600	3	5
171420-34800	9	16
171420-34820	9	17
171488-61200	13	14
174307-51170	12	16
174307-51560	12	52
174307-51700	13	39
194180-51640	20	39
194990-22050	6	3
		23
22117-040000	13	68
22117-050000	20	29
		30
		45
22117-060000	16	27 A
22117-100000	16	23
22137-080000	11	13
22137-100000	16	23 -1
22190-060002	13	69
22190-060003	13	69 -1
22190-080002	2	12
		23
	9	39 A
		40 -1
	21	22

# Parts No. Index

Parts No.	Fig. No.	Ref. No.
22190-080002	21	26 -1
22190-100002	13	70
22190-120002	13	71
	15	20 -1
	21	21 -1
22190-160002	12	91
22190-220002	3	16
22217-050000	12	97
	20	46
22217-060000	12	83
22217-080000	20	47
22217-100000	11	14
	16	24
22217-120000	7	16
22252-000260	8	33
22272-000050	16	25
22287-120000	13	72
22351-020006	16	18
22351-040010	8	8
22351-050010	12	84
22351-060012	4	44
22372-040000	13	73
22411-200150	16	19
22512-070140	7	8
	8	6
23000-016000	10	40
23000-060000	5	9
23010-038000	11	32
23061-070230	11	27
23161-020100	9	44
23414-080000	9	40
	21	26
23414-100000	9	41
	21	27
23414-120000	14	63
	21	24
23871-010000	1	11
23871-030000	10	12
		12 -1
		30
23876-010000	1	11 -1
23876-030000	10	12 -2
23887-100002	13	74
24101-063034	12	85
24104-062054	8	51
24311-000120	4	60
	21	28
24311-000160	2	14
	9	31
	15	11

Parts No.	Fig. No.	Ref. No.
24311-000160	21	29
24311-000320	2	15
	4	62
	21	30
24311-240100	15	12
24321-000300	10	48
24321-000650	15	13
24341-000160	12	86
24341-000240	2	26
		30
	21	31
24341-000250	3	22
24341-000280	13	75
24341-000500	4	57
	21	32
25132-003700	10	17
25132-003800	10	16
		17 -1
26013-080222	5	10 -1
		11 -1
26014-080252	19	26
26014-080702	15	16
26022-050102	12	87
26022-060162	12	88
26033-060202	20	8
		44
26106-060102	13	76
		77
		78
	16	26
	20	37 A
26106-060122	2	27
26106-060142	13	79
26106-060162	2	27 -1
		31
26106-060202	13	80
26106-060352	10	22
26106-060402	6	22
26106-080122	2	16
	11	15
	20	7 A
26106-080142	4	7
	7	18 -1
26106-080162	2	17
		24
	3	23
	4	58
	7	18
	10	49 -1
	11	16

Parts No.	Fig. No.	Ref. No.
26106-080162	11	41
	16	28
	20	3
		40
		43
26106-080182	5	10
		11
	10	49
26106-080202	2	18
	5	4
	9	32
	10	35
	11	17
26106-080222	8	52
26106-080252	3	24
	4	45
	10	36
	11	18
26106-080302	3	30
26106-080352	3	31
	5	14
	9	25
26106-080402	6	4
26106-080452	2	19
	3	25
		25 -1
	7	14
26106-080502	3	33
	4	46
	10	37
	19	27
26106-080552	2	20
	6	17
26106-080602	10	15
		38
26106-080802	5	5
26106-080852	2	21
26106-100122	20	50
26106-100202	11	3
26106-100302	11	19
26116-050102	20	31
26116-050302	12	89
26116-060082	16	20
26116-060162	10	31
26116-120252	17	35
	18	53
26206-100202	3	8
26206-100252	3	9
		12
26206-100302	3	10

Parts No.	Fig. No.	Ref. No.
26216-060202	4	16
26216-080222	6	5
26216-080402	6	6
26226-080182	4	43
26306-080002	2	22 -1
	6	3 -1
		20 -1
		23 -1
	11	20 -1
	20	41 -1
26347-040002	6	18
26347-060002	6	19
26366-060002	4	47
26366-080002	2	22
	6	20
	11	20
	13	82
	19	24
	20	41
26367-120002	3	11
26450-060252	9	15
26557-040352	6	21
26657-100002	16	27
26687-120002	13	89
26716-050002	20	32
		48
26716-060002	12	90
26716-100002	11	21
26716-120002	7	17
26756-050002	16	3
26756-060002	13	81
		81 -1
26756-080002	20	49
26756-100002	11	22
26776-120002	13	3
26921-050122	16	21
27231-500000	1	12
27241-120000	1	13
27241-300000	1	14
27241-400000	4	17
27310-080000	4	22
719810-01500	2	1
719810-53100	14	2
729001-01560	1	1
729102-01540	3	13
729209-51300	12	2
729209-51310	12	2 A
729209-51350	12	1
729209-92600	21	1
729402-11650	4	37

## Parts No. Index

Parts No.	Fig. No.	Ref. No.
729402-23100	8	34
729503-53100	14	1
933110-00100	20	33
933110-00301	20	35
977770-01212	2	32
	3	32
	21	34
X0280210230	17	11
	18	5
X0280620480	18	2
X0280630011	18	3
X0280992381	18	4
X0281003770	18	13
X0282002320	18	14
X0283060061	17	2
	18	17
X0283270140	17	12
	18	6
		6 -2
X0283711420	18	18
X0283711770	18	7
X0283712360	18	19
X0283810040	18	8
X0285011600	18	20
X0285100750	18	21
X0289030010	17	3
	18	23
X0534006470	18	24
X0534040320	18	25
X0534490120	18	26
		27
X0534490230	18	28
		29
X0535050620	18	30
X0535130241	18	31
X0535130320	18	32
X0536600401	18	33
X1284000710	18	43
X2114535200	17	34 L
	22	12
X2411367340	11	5 A
		44
X9019008651	18	44
X9025806001	18	45
X9025808001	18	46
X9151005141	18	34
X9490071970	18	47
X9490170900	18	35
		36
X9490422570	18	48

Parts No.	Fig. No.	Ref. No.
X9490441303	18	37
X9490441312	18	38
X9490502820	18	39
		40
X9490561370	17	4
	18	49
X9490721080	18	9
X9491002590	18	15
X9491002760	18	16
X9491200240	17	5
	18	50
X9491402100	18	41
		42
X9491403700	18	51
X9491703371	17	13
	18	10
X9491703380	18	52
X9491704260	18	11
X9491730461	17	26
	18	22

Parts No.	Fig. No.	Ref. No.
-----------	----------	----------

Parts No.	Fig. No.	Ref. No.
-----------	----------	----------