

OCD10-M66400EN

PREFACE

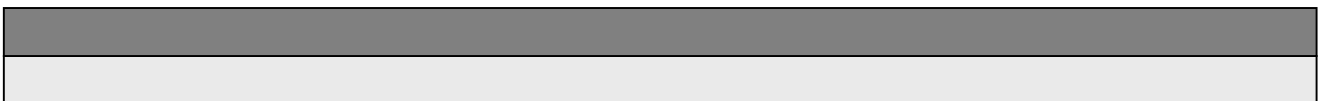
1. This parts catalog is the Second edition of 3TNE88-TB for Takeuchi Mfg. Co., Ltd.
2. This parts catalog does not contain the technical data needed for maintenance service.
3. The illustrations used in this parts catalog have been simplified for clarity.

Pub. No.: 000Y00D6640
Published: September, 1998

4. Model name

Engine model	Vehicle		Vehicle made by
	Products	Model name	
3TNE88-TB	EXCAVATOR	A7C	Takeuchi Mfg. Co., Ltd.

5. The contents of this parts catalog are subject to change without prior notice.



Directions for the Parts Catalog.

1. This Parts Catalog shows both standard and optional parts.
2. Parts may change without prior notice.
3. The following is an example of the Parts Catalog format.

REF.	LEV.	PARTS NO.	DESCRIPTION	Q'TY						I	R
				(A)	(B)	(C)	(D)	(E)	(F)		
1	1	729595-51390	FUEL INJECTION PUMP	1	1	1	1	1			1
1-1	1	729595-51391	FUEL INJECTION PUMP	1	1	1	1	1		N	1
		(A=E00185) (B=E00200)									
3	2	26022-060162	SCREW M 6X 16	9	9	9	9	9			
3-1	2	26022-060162	SCREW M 6X 16	4	4	4	4	4		K	
		(A=E00156) (B=E00156) (C=E00156) (D=E00156) (E=E00156)									
4	2	129470-51040	CAMSHAFT	1	1	1	1	1			
5	2	122710-51050	BEARING, ROLLER	2	2	2	2	2			
6	2	129470-51060	RETAINER	1	1	1	1	1			

Remarks
(1) BOOST COMPEMSATOR TYPE. OPTIONAL PART, TO E00155,(4JH-DT, 4JH-DTZ

① Ref. No.

The Ref. No. listed may not be in accordance with the illustration Ref. No.

(Ex.) Illustration No.

List Ref No.

1

1

(Before change)

1-1

(After change)

For interchangeable symbols N, R and K, illustrations for new parts may be abbreviated.

② Lev. (Level)

Level indication

The numbers below indicate the level of relativity towards the main part.

1 ----- Main parts (Assembly parts)

2 ----- Sub component included in " 1 ".

3 ----- Sub component included in " 2 ".

Note) Parts that are not for sale are partially illustrated but not listed.

③ Interchangeability Symbol

When a part change takes place, one of the following interchangeability symbols is indicated beside the part.

Symbol	Interchangeability	Contents note
N	Old $\begin{matrix} \leftarrow \text{Yes} \\ \text{No} \rightarrow \end{matrix}$ New	New Part is interchangeable for Old Part but Old Part is not interchangeable for New Part.
Q	Old $\begin{matrix} \leftarrow \text{No} \\ \text{Yes} \rightarrow \end{matrix}$ New	New Part is not interchangeable for Old Part but Old Part is interchangeable for New Part.
R	Old $\begin{matrix} \leftarrow \text{Yes} \\ \text{Yes} \rightarrow \end{matrix}$ New	New/ Old Parts are both interchangeable.
S	Old $\begin{matrix} \leftarrow \text{No} \\ \text{No} \rightarrow \end{matrix}$ New	New/ Old Parts are both not interchangeable.
W		Part newly added.
Z		Part discontinued.
F		Not interchangeable by a single part but interchangeable together with related parts.
K		Changes only for used parts quantities.

④ Effective Machine No.

When a part changes, the effective Machine No. will be indicated in the (A)-(F) column.

Product Symbol	Product No.	Product Symbol	Product No.
C	Clutch No. Compressor No.	F	Machine No. (Agricultural Equip.)
D	Drive No.	M	Machine No.
E	Engine No.		

Note 1) A date may follow the symbol. (Ex.) 1996.01

Note 2) "XXXXX" and "ZZZZZ" are for parts that could not be predicted or for engine models that could not be identified.

Note 3) (A=E00185) is the E (Engine Serial Number) for the column (A) model (in this case 4JH-DT) after the parts design change.

⑤ Remarks

Figures or alphabets (symbols) are entered in the remarks column.

The comments (remarks) on parts that are indicated at the bottom of the illustration are the same symbols as those stated above.

Contents

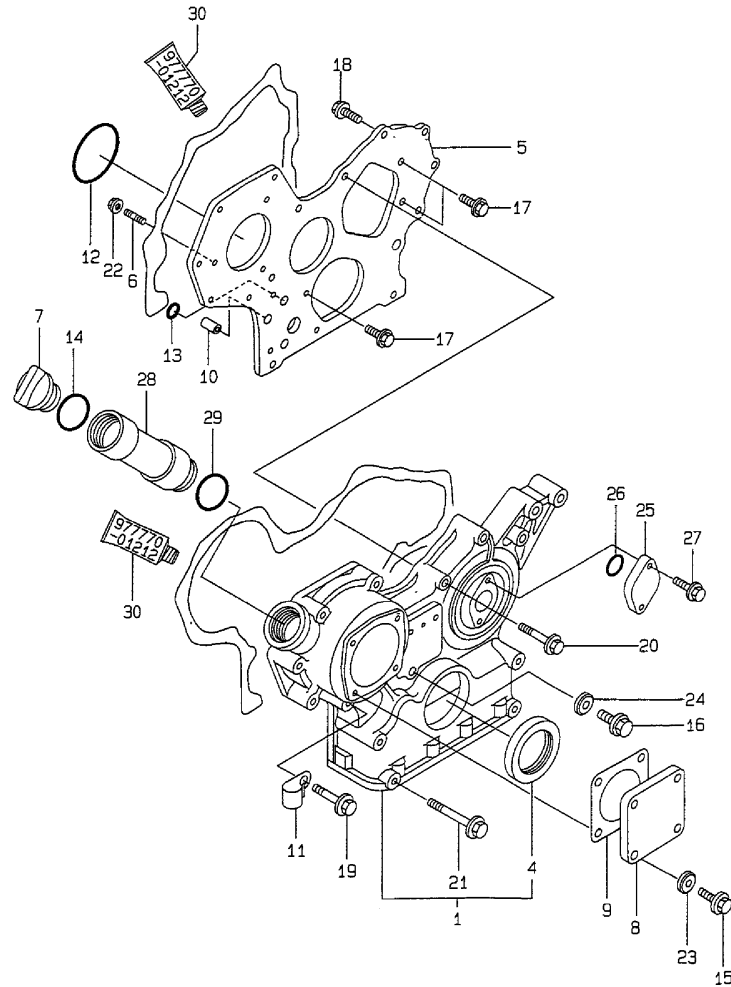
Fig. No. Fig. Name

3TNE88-TB

1. CYLINDER BLOCK
2. GEAR HOUSING
3. FLYWHEEL HOUSING & OIL SUMP
4. CYLINDER HEAD & BONNET
5. SUCTION MANIFOLD & AIR CLEANER
6. EXHAUST MANIFOLD & SILENCER
7. CAMSHAFT & DRIVING GEAR
8. CRANKSHAFT & PISTON
9. LUB.OIL SYSTEM
10. COOLING WATER SYSTEM
11. FUEL INJECTION VALVE
12. GOVERNOR
13. FUEL INJECTION VALVE
14. FUEL LINE
15. STARTING MOTOR
16. GENERATOR
17. GASKET SET

Fig. No. Fig. Name

Fig.2. GEAR HOUSING



(A)=3TNE88-TB

(B)=

(C)=

(D)=

(E)=

(F)=

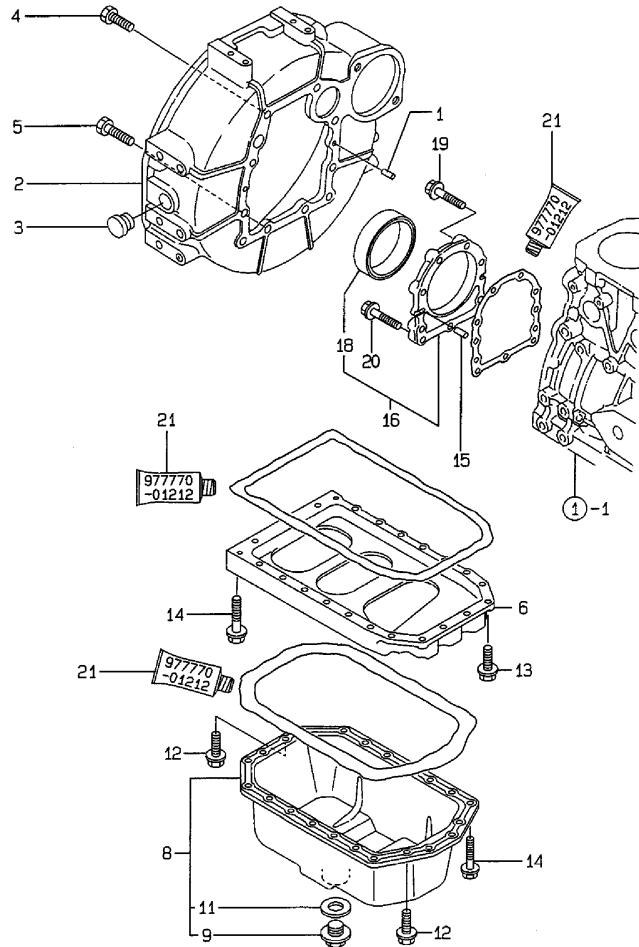
No.	Lev.	Parts No.	Description	Q'ty						I	R
				(A)	(B)	(C)	(D)	(E)	(F)		
1	1	719810-01500	CASE ASSY, GEAR	1							
4	2	129795-01800	SEAL, OIL	1							
5	1	129400-01520	FLANGE, GEAR CASE	1							
6	1	121450-01560	STUD, M8X22	3							
7	1	124160-01751	COVER, FILLER	1							
8	1	124240-01871	COVER	1							
9	1	124240-01883	GASKET	1							
10	1	129795-01950	PIPE, KNOCK L=18	2							
11	1	129150-03100	RETAINER, PIPE	1							
12	1	121850-51960	O-RING	1							
13	1	24311-000160	O-RING, 1AP16.0	2							
14	1	24311-000320	O-RING, 1AP32.0	1							
15	1	26106-080122	BOLT, M8X 12 PLATED	4							
16	1	26106-080162	BOLT, M8X 16 PLATED	1							
17	1	26106-080162	BOLT, M8X 16 PLATED	3							
18	1	26106-080202	BOLT, M8X 20 PLATED	2							
19	1	26106-080452	BOLT, M8X 45 PLATED	6							
20	1	26106-080552	BOLT, M8X 55 PLATED	3							
21	1	129001-91840	BOLT, M8X85	4							
22	1	26366-080002	NUT, M8	3							
23	1	22190-080002	WASHER, SEAL 6	4							
24	1	22190-080002	WASHER, SEAL 6	1							
25	1	121023-01550	COVER	1							
26	1	24341-000240	O-RING, 1AS24.0	1							
27	1	26106-060162	BOLT, M6X 16 PLATED	2							
28	1	171031-11741	PIPE	1							
29	1	24311-000320	O-RING, 1AP32.0	1							
30	1	977770-01212	GASKET, LIQUID	1							1

Remarks

(1) OPTIONAL PART.

N:Old $\begin{matrix} \leftarrow \text{Yes} \\ \text{No} \end{matrix}$ New, Q:Old $\begin{matrix} \leftarrow \text{No} \\ \text{Yes} \end{matrix}$ New, R:Old $\begin{matrix} \leftarrow \text{Yes} \\ \text{Yes} \end{matrix}$ New, S:Old $\begin{matrix} \leftarrow \text{No} \\ \text{No} \end{matrix}$ New, W:Add, Z:Discontinued, F:Interchangeable by set, K:Q'ty Change

Fig.3. FLYWHEEL HOUSING & OIL SUMP



(A)=3TNE88-TB

(B)=

(C)=

(D)=

(E)=

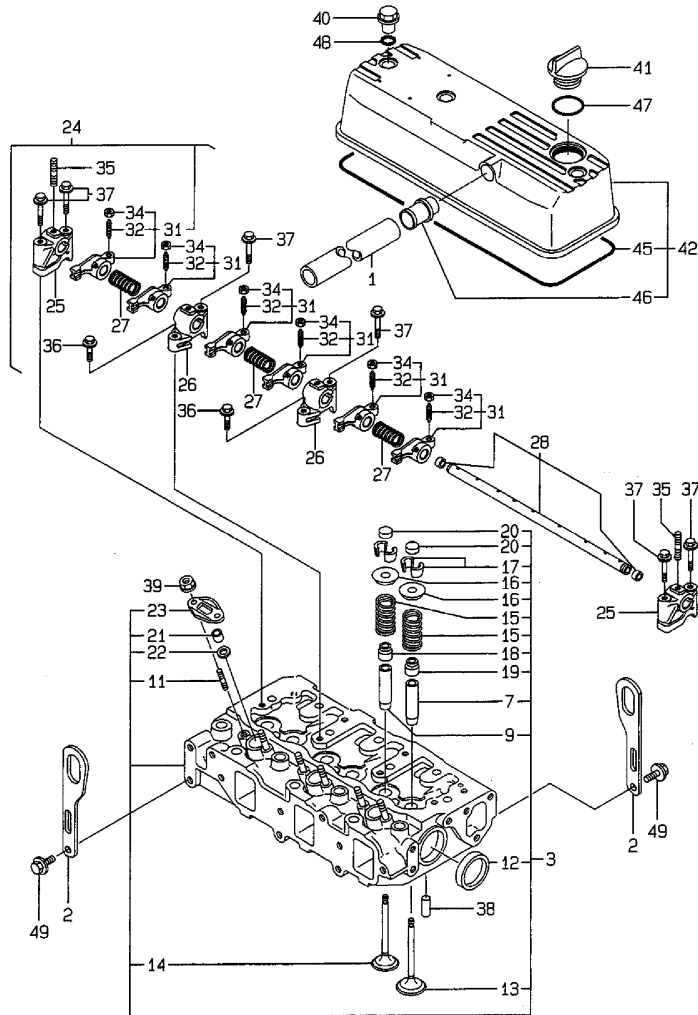
(F)=

No.	Lev.	Parts No.	Description	Q'ty						I	R
				(A)	(B)	(C)	(D)	(E)	(F)		
1	1	129100-01580	PIN, M8X16	2							
2	1	129612-01600	HOUSING, FLYWHEEL	1							
3	1	119620-01750	CAP	1							
4	1	26206-100252	BOLT, M10X 25 PLATED	6							
5	1	26206-100302	BOLT, M10X 30 PLATED	4							
6	1	129100-01730	SPACER, OIL SUMP	1							
8	1	729102-01540	SUMP ASSY, OIL	1							
9	2	119640-01640	PLUG, DRAIN M22	1							
11	2	22190-220002	WASHER, SEAL 22	1							
12	1	26106-080162	BOLT, M8X 16 PLATED	4							
13	1	26106-080252	BOLT, M8X 25 PLATED	2							
14	1	26106-080452	BOLT, M8X 45 PLATED	20							
15	1	129100-01580	PIN, M8X16	2							
16	1	129100-01640	CASE ASSY, OIL SEAL	1							
18	2	129795-01780	SEAL, OIL	1							
19	1	129486-01670	BOLT, M8X30	6							
20	1	26106-080352	BOLT, M8X 35 PLATED	3							
21	1	977770-01212	GASKET, LIQUID	1							1

Remarks

(1) OPTIONAL PART.

Fig.4. CYLINDER HEAD & BONNET



(A)=3TNE88-TB

(B)=

(C)=

(D)=

(E)=

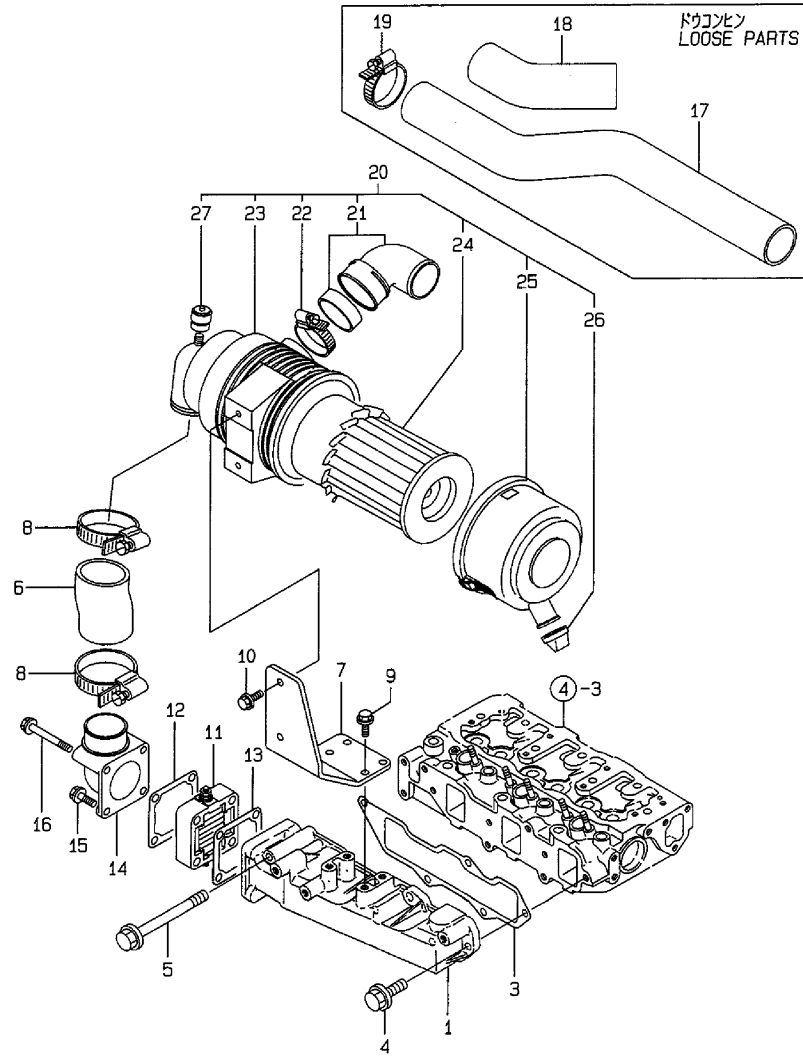
(F)=

No.	Lev.	Parts No.	Description	Q'ty						I	R
				(A)	(B)	(C)	(D)	(E)	(F)		
1	1	171350-03090	PIPE , BREATHER 900	1							
2	1	124736-07900	LIFTER	2							
3	1	129001-11700	HEAD ASSY, CYLINDER	1							
7	2	120130-11860	GUIDE, VALVE	3							1
9	2	129150-11810	GUIDE, VALVE	3							1
11	2	26216-060202	STUD, M6X 20	6							
12	2	27241-400000	PLUG, 40	2							
13	2	129100-11100	VALVE, INTAKE	3							
14	2	129100-11110	VALVE, EXHAUST	3							
15	2	129795-11120	SPRING, VALVE	6							
16	2	129795-11180	RETAINER, SPRING	6							
17	2	27310-080001	COTTER, 8	6							
18	2	121400-11340	SEAL, VALVE STEM	3							
19	2	124460-11340	SEAL, VALVE STEM	3							
20	2	129150-11370	CAP, VALVE	6							
21	2	119625-11870	PROTECTOR, NOZZLE	3							
22	2	119625-11880	SEAT, NOZZLE	3							
23	2	119625-11900	RETAINER, NOZZLE	3							
24	1	129100-11240	SHAFT ASSY, ROCKER	1							
25	2	129155-11260	SUPPORT, ROCKER ARM	2							
26	2	129155-11270	SUPPORT, ROCKER ARM	2							
27	2	129150-11280	SPRING	3							
28	2	129150-11290	SHAFT, ROCKER ARM	1							
31	2	129100-11650	ARM, ROCKER	6							
32	3	129150-11230	SCREW, VALVE ADJUST	6							
34	3	129150-11750	NUT, M8	6							
35	2	26226-080182	STUD, M8X 18	3							
36	1	26106-080252	BOLT, M8X 25 PLATED	2							
37	1	26106-080502	BOLT, M8X 50 PLATED	6							
38	1	22351-060012	PIN, SPRING 6.0X12	2							
39	1	26366-060002	NUT, M6	6							
40	1	124160-11360	KNOB	3							
41	1	124160-01751	COVER, FILLER	1							
42	1	129001-11350	BONNET ASSY, HEAD	1							
45	2	129001-11310	GASKET, BONNET	1							
46	2	129001-11340	PIPE , BREATHER	1							
47	1	24311-000320	O-RING, 1AP32.0	1							
48	1	24311-000120	O-RING, 1AP12.0	3							
49	1	26106-080142	BOLT, M8X 14 PLATED	4							

Remarks

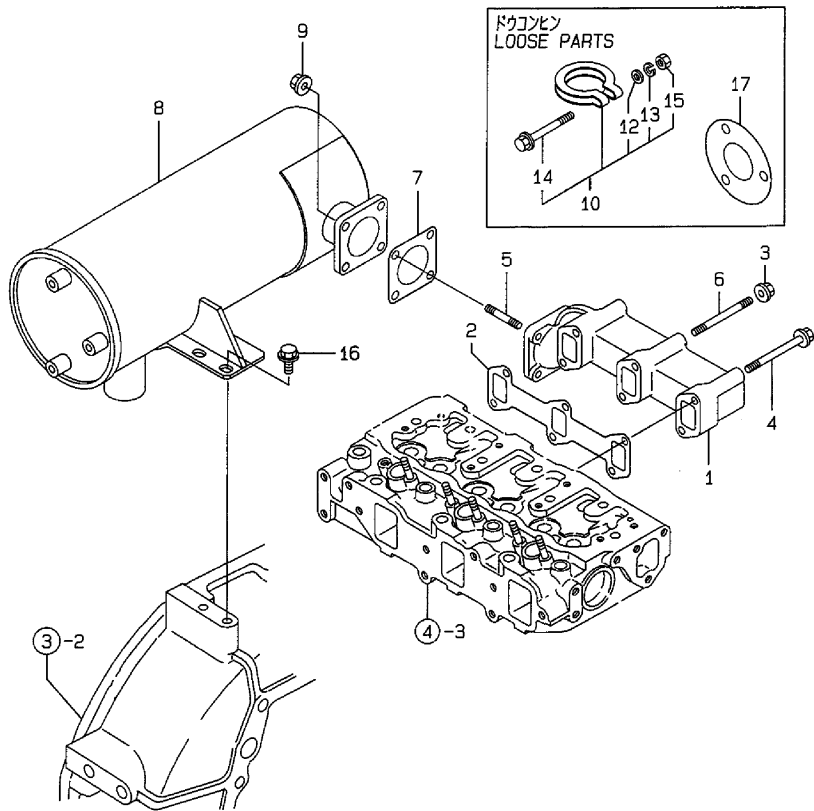
(1) REPAIR PART.

Fig.5. SUCTION MANIFOLD & AIR CLEANER



No.	Lev.	Parts No.	Description	Q'ty						I	R
				(A)	(B)	(C)	(D)	(E)	(F)		
1	1	129001-12100	MANIFOLD, AIR INTAKE	1							
3	1	129001-12110	GASKET, MANIFOLD	1							
4	1	26106-080202	BOLT, M8X 20 PLATED	4							
5	1	26106-080802	BOLT, M8X 80 PLATED	1							
6	1	119910-12210	PIPE, AIR INTAKE	1							
7	1	119910-12560	BRACKET, AIR CLEANER	1							
8	1	23000-060000	CLAMP, 60	2							
9	1	26013-080222	BOLT, M8X 22	4							
10	1	26013-080222	BOLT, M8X 22	2							
11	1	129100-77500	HEATER, AIR 12V	1							
12	1	129100-77510	GASKET, AIR HEATER	1							
13	1	129150-77511	GASKET	1							
14	1	171340-77520	BEND	1							
15	1	26106-080402	BOLT, M8X 40 PLATED	2							
16	1	26106-080802	BOLT, M8X 80 PLATED	2							
17	1	129132-12210	PIPE, AIR INTAKE	1							
18	1	119869-12220	PIPE, AIR INTAKE	1							
19	1	23000-060000	CLAMP, 60	2							
20	1	129612-12680	CLEANER ASSY, AIR	1							
21	2	129612-12560	ELBOW	1							
22	2	23000-060000	CLAMP, 60	1							
23	2	129612-12690	CLEANER ASSY, AIR	1							
24	2	129612-12550	ELEMENT	1							
25	2	119866-12530	COVER ASSY	1							
26	2	119808-12540	VALVE, UNLOADER	1							
27	2	119140-12680	INDICATOR	1							

Fig.6. EXHAUST MANIFOLD & SILENCER



(A)=3TNE88-TB

(B)=

(C)=

(D)=

(E)=

(F)=

No.	Lev.	Parts No.	Description	Q'ty						I	R
				(A)	(B)	(C)	(D)	(E)	(F)		
1	1	129211-13100	MANIFOLD, EXHAUST	1							
2	1	129150-13110	GASKET	1							
3	1	26366-080002	NUT, M8	2							
4	1	26106-080802	BOLT, M8X 80 PLATED	4							
5	1	119131-18320	STUD, M8X22	4							
6	1	26216-080802	STUD, M8X 80	2							
7	1	124701-11911	GASKET, SILENCER	1							
8	1	129002-13501	SILENCER	1							
9	1	26366-080002	NUT, M8	4							
10	1	121120-13590	CLAMP	1							
12	2	22137-100000	WASHER, 10	1							
13	2	22217-100000	WASHER, SPRING 10	1							
14	2	26106-100652	BOLT, M10X 65 PLATED	1							
15	2	26706-100002	NUT, M10	1							
16	1	26106-100202	BOLT, M10X 20 PLATED	2							
17	1	103954-13201	GASKET, SILENCER	1							

Fig.7. CAMSHAFT & DRIVING GEAR

(A)=3TNE88-TB

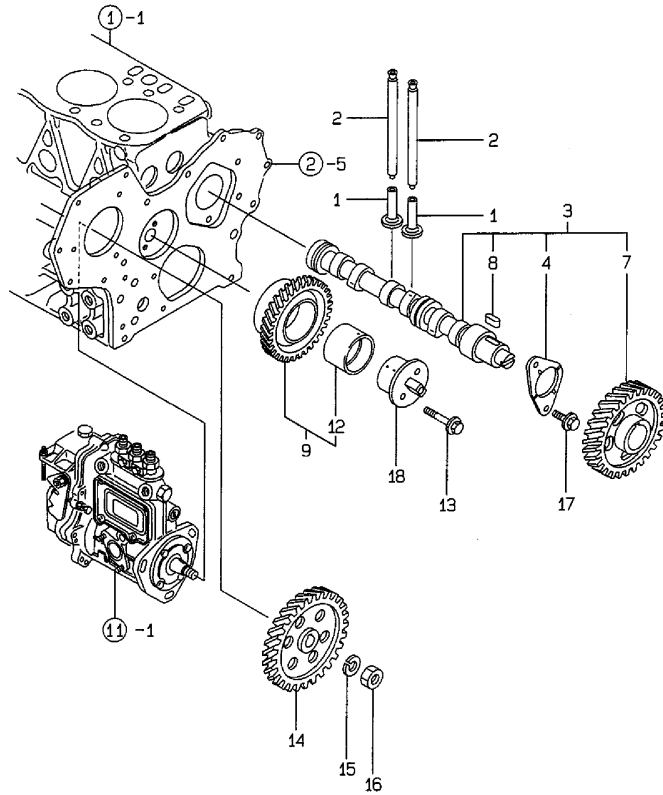
(B)=

(C)=

(D)=

(E)=

(F)=



No.	Lev.	Parts No.	Description	Q'ty						I	R
				(A)	(B)	(C)	(D)	(E)	(F)		
1	1	129150-14200	TAPPET	6							
2	1	129150-14400	ROD, PUSH L=178	6							
3	1	129129-14580	CAMSHAFT ASSY	1							
4	2	129150-02450	BEARING, THRUST	1							
7	2	129150-14101	GEAR, CAMSHAFT	1							
8	2	22512-070140	KEY, 7X 14	1							
9	1	129150-25101	GEAR ASSY, IDLE	1							
12	2	129150-25920	BUSH, IDLE GEAR	1							1
13	1	26106-080452	BOLT, M8X 45 PLATED	2							
14	1	129150-25900	GEAR, PUMP	1							
15	1	22217-120000	WASHER, SPRING 12	1							
16	1	26716-120002	NUT, M12	1							
17	1	26106-080142	BOLT, M8X 14 PLATED	2							
18	1	129100-25061	SHAFT, IDLE	1							

Remarks

(1) REPAIR PART.

Fig.8. CRANKSHAFT & PISTON

(A)=3TNE88-TB

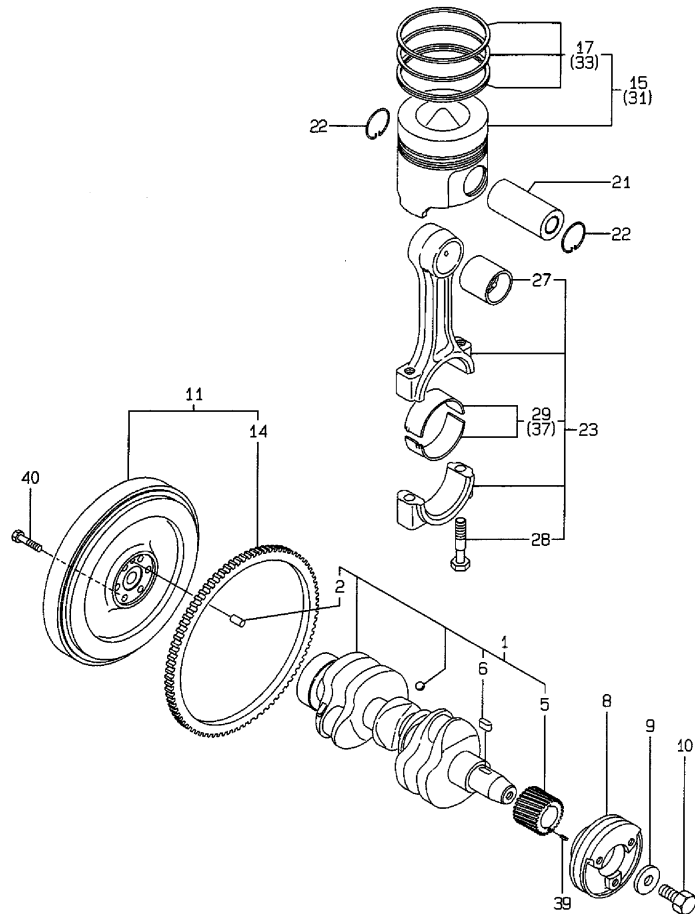
(B)=

(C)=

(D)=

(E)=

(F)=



No.	Lev.	Parts No.	Description	Q'ty						I	R
				(A)	(B)	(C)	(D)	(E)	(F)		
1	1	129001-21000	CRANKSHAFT ASSY	1							
2	2	129100-01580	PIN, M8X16	1							
5	2	129150-21200	GEAR, CRANKSHAFT	1							
6	2	22512-070140	KEY, 7X 14	1							
8	1	171340-21650	V-PULLEY	1							
9	1	129795-21661	WASHER	1							
10	1	121850-21680	BOLT	1							
11	1	129128-21590	FLYWHEEL ASSY	1							
14	2	119865-21600	GEAR, RING	1							
15	1	129001-22081	PISTON ASSY	3							
17	2	129001-22500	RING SET, PISTON	3							
21	1	129202-22300	PIN, PISTON D26 L70	3							
22	1	22252-000260	RING, 26	6							
23	1	729402-23100	ROD ASSY, CONNECTING	3							
27	2	129100-23910	BEARING, PISTON PIN	3							1
28	2	121550-23200	BOLT, CONNECTING ROD	6							
29	2	129150-23600	BEARING, CRANK PIN	3							
31	1	129001-22901	PISTON ASSY, 0.25 OS	3							2
33	2	129001-22950	RING SET, 0.25 OS	3							2
37	1	129150-23610	BEARING, 0.25 US	3							3
39	1	22351-040010	PIN, SPRING 4.0X10	1							
40	1	121111-21501	BOLT, FLYWHEEL	6							

Remarks

- (1) REPAIR PART.
- (2) OVER-SIZE(O.S=0.25)PART.
- (3) UNDER-SIZE(U.S=0.25)PART.

Fig.9. LUB.OIL SYSTEM

(A)=3TNE88-TB

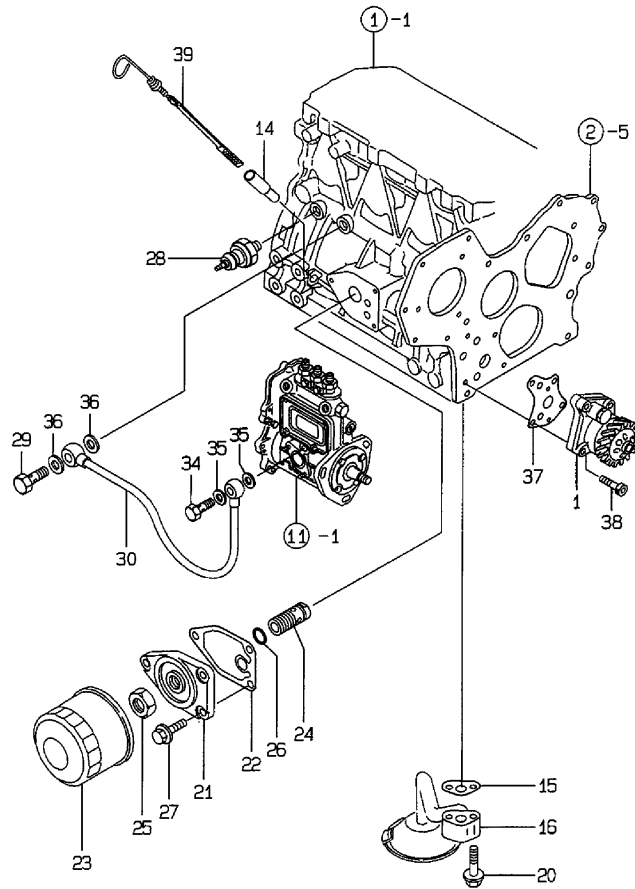
(B)=

(C)=

(D)=

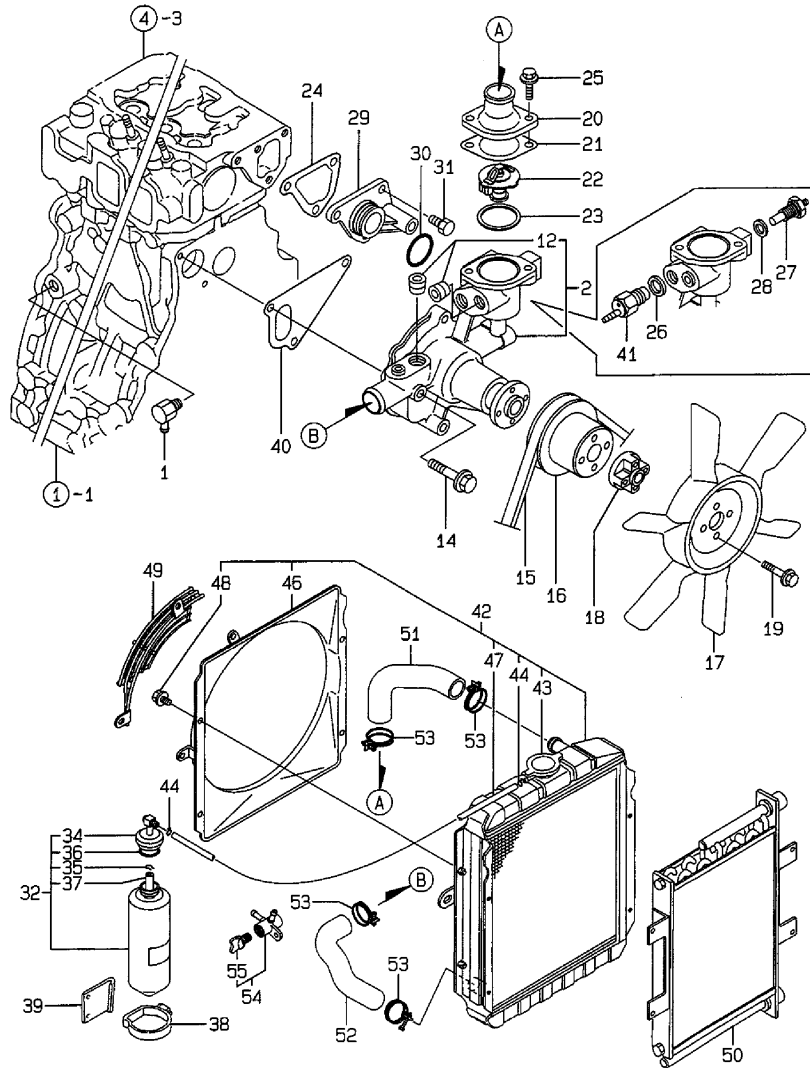
(E)=

(F)=



No.	Lev.	Parts No.	Description	Qty						I	R
				(A)	(B)	(C)	(D)	(E)	(F)		
1	1	129001-32001	PUMP ASSY, OIL	1							
14	1	121520-34810	GUIDE, DIPSTICK	1							
15	1	129150-35041	GASKET	1							
16	1	129150-35091	PIPE ASSY, OIL INLET	1							
20	1	26106-080352	BOLT, M8X 35 PLATED	2							
21	1	129150-35101	BRACKET, STRAINER	1							
22	1	129150-35111	GASKET	1							
23	1	129150-35151	FILTER, D80XL80	1							
24	1	129001-35300	BOLT, FILTER	1							
25	1	129150-35350	NUT	1							
26	1	24311-000160	O-RING, 1AP16.0	1							
27	1	26106-080202	BOLT, M8X 20 PLATED	3							
28	1	124160-39451	SWITCH	1							
29	1	124160-39140	BOLT, PIPE JOINT M10	1							
30	1	129150-39450	PIPE ASSY, OIL	1							
34	1	124550-59820	BOLT, PIPE JOINT M8	1							
35	1	23414-080000	GASKET, 8X1.0	2							
36	1	23414-100000	GASKET, 10X1.0	2							
37	1	129150-32020	GASKET, PUMP	1							
38	1	26450-060252	BOLT, M6X 25	4							
39	1	129403-34800	DIPSTICK, OIL	1							

Fig.10. COOLING WATER SYSTEM



(A)=3TNE88-TB

(B)=

(C)=

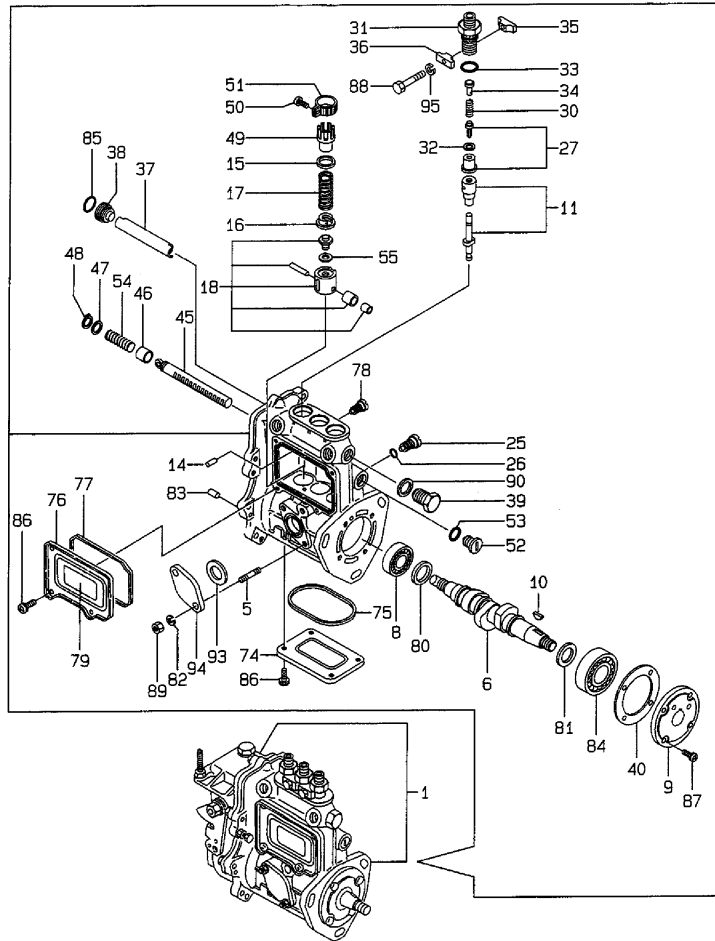
(D)=

(E)=

(F)=

No.	Lev.	Parts No.	Description	Q'ty						I	R
				(A)	(B)	(C)	(D)	(E)	(F)		
1	1	121750-49110	JOINT	1							
2	1	129001-42002	PUMP ASSY, WATER	1							
12	2	23871-030000	PLUG, R03	2							
14	1	26106-080602	BOLT, M8X 60 PLATED	3							
15	1	25132-003800	V-BELT, A38	1							
16	1	129556-42350	V-PULLEY, 96	1							
17	1	121520-44740	FAN, COOLING D325	1							
18	1	171353-44760	SPACER, FAN	1							
19	1	26106-060452	BOLT, M6X 45 PLATED	4							
20	1	129350-49560	COVER, THERMOSTAT	1							
21	1	129795-49551	GASKET	1							
22	1	129155-49800	THERMOSTAT, 71	1							
23	1	129150-49811	GASKET, THERMOSTAT	1							
24	1	129100-49840	GASKET	1							
25	1	26106-080202	BOLT, M8X 20 PLATED	2							
26	1	124465-44950	GASKET, 16	1							
27	1	119266-49350	SWITCH	1							
28	1	129150-49360	GASKET	1							
29	1	129001-42040	JOINT	1							
30	1	24321-000300	O-RING, 1AG30.0	1							
31	1	26106-080162	BOLT, M8X 16 PLATED	3							
32	1	171064-44510	TANK ASSY, SUB	1							
34	2	121450-44531	CAP	1							
35	2	124450-44560	RETAINER	1							
36	2	121470-44581	GASKET	1							
37	2	23065-070225	HOSE 7X 225	1							
38	1	124450-44550	BAND	1							
39	1	121256-44600	BRACKET, SUB TANK	1							
40	1	129100-42020	GASKET, WATER PUMP	1							
41	1	121250-44901	SWITCH, 110	1							
42	1	129132-44500	RADIATOR	1							
43	2	123682-44210	CAP, RADIATOR	1							
44	2	121250-44590	CLAMP	2							
46	2	129132-44520	SHROUD	1							
47	2	129132-44530	HOSE, RUBBER	1							
48	2	26014-080162	BOLT, M8X 16	4							
49	1	129132-44590	NET, WIRE	1							
50	1	129132-44901	COOLER ASSY, OIL	1							
51	1	119860-49010	PIPE, WATER	1							
52	1	119860-49020	PIPE, WATER	1							
53	1	23010-038000	CLAMP, 38	4							
54	1	129150-49100	COCK ASSY, 3-WAY	1							
55	2	129150-49080	COCK, DRAIN	1							

Fig.11. FUEL INJECTION VALVE

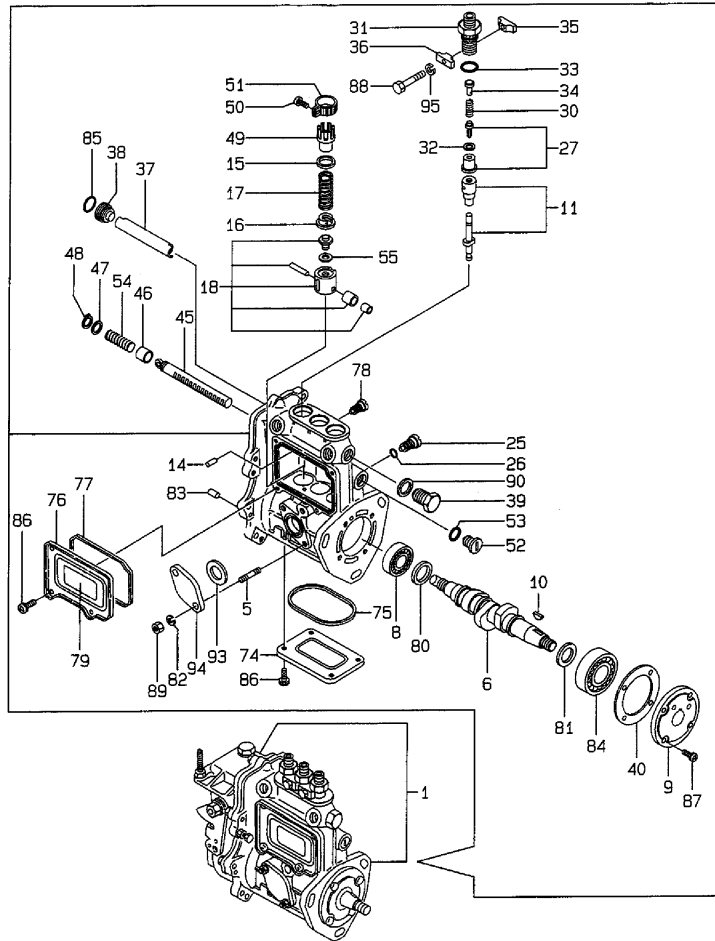


No.	Lev.	Parts No.	Description	Q'ty						I	R
				(A)	(B)	(C)	(D)	(E)	(F)		
1	1	729030-51400	PUMP ASSY, INJECTION	1							1
5	2	129155-51020	STUD	2							
6	2	119810-51040	CAMSHAFT	1							
8	2	129155-51050	BEARING, 17BM001D	1							
9	2	129155-51060	SUPPORT, CAMSHAFT	1							
10	2	122710-51090	KEY	1							
11	2	129506-51100	PLUNGER ASSY	3							
14	2	129155-51140	PIN	3							
15	2	174307-51170	RETAINER, SPRING A	3							
16	2	129155-51180	RETAINER, SPRING	3							
17	2	124950-51190	SPRING, PLUNGER	3							
18	2	129155-51200	TAPPET ASSY	3							
25	2	129155-51270	STOPPER, TAPPET	3							
26	2	129155-51280	O-RING, S6	3							
27	2	129100-51300	VALVE ASSY, DELIVERY	3							
30	2	129155-51320	SPRING, DELIVERY	3							
31	2	129155-51340	RETAINER	3							
32	2	124550-51350	GASKET, DELIVERY	3							
33	2	124550-51370	O-RING	3							
34	2	129155-51370	STOPPER, VALVE	3							
35	2	129155-51380	STOPPER	2							
36	2	129155-51390	STOPPER	2							
37	2	129155-51400	DEFLECTOR	1							
38	2	129155-51410	BOLT	1							
39	2	129155-51420	PLUG, M16	1							
40	2	129155-51450	SHIM SET, ADJUSTING	1							
45	2	129155-51500	RACK, CONTROL	1							
46	2	129155-51521	BUSH, RACK	1							
47	2	129155-51530	SPACER	1							
48	2	129155-51540	CIRCLIP	1							
49	2	129155-51550	PINION, CONTROL	3							
50	2	122117-51560	SCREW	3							
51	2	174307-51560	PINION	3							
52	2	129155-51570	PLUG, M12	1							
53	2	129155-51580	O-RING	1							
54	2	129155-51591	SPRING, RACK	1							
55	2	129155-51600	SHIM SET, ADJUSTING	3							
74	2	129155-51700	COVER	1							
75	2	129155-51710	GASKET	1							
76	2	129155-51750	COVER	1							
77	2	129155-51760	GASKET	1							
78	2	129155-51790	STOOPER, RACK	1							
79	2	129156-51910	LABEL, CAUTION	1							
80	2	129155-51930	SPACER, T=3.25	1							
81	2	129155-51940	SPACER, T=1.5	1							
82	2	22217-060000	WASHER, SPRING 6	2							
83	2	22351-050010	PIN, SPRING 5.0X10	2							
84	2	24101-063034	BEARING, BALL 6303	1							
85	2	24341-000160	O-RING, 1AS16.0	1							
86	2	26022-050102	SCREW, M5X10	8							
87	2	26022-060162	SCREW, M6X16	4							

Remarks

(1) GOVERNOR ASSY(FIG.NO.12) IS INCORPORATED IN THIS FUEL INJECTION PUMP ASSY(REF.NO.1).

Fig.11. FUEL INJECTION VALVE



(A)=3TNE88-TB

(B)=

(C)=

(D)=

(E)=

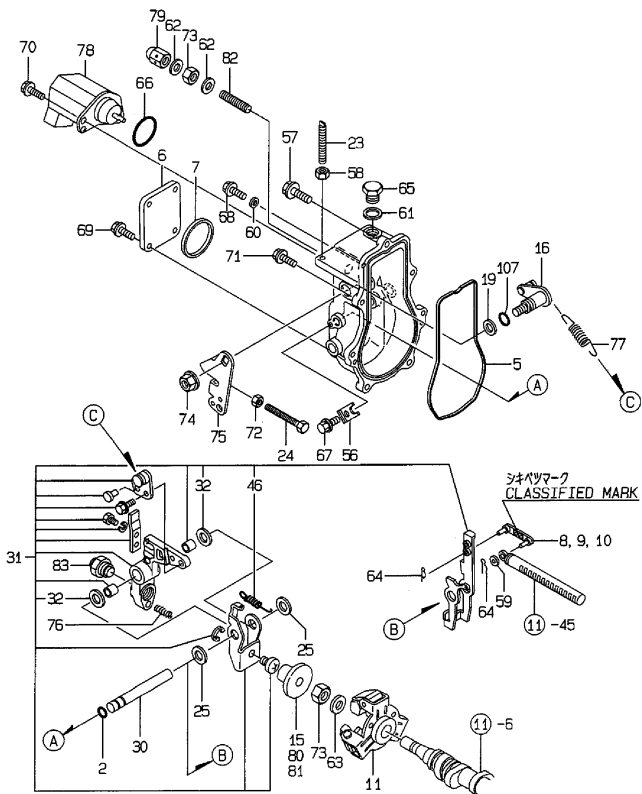
(F)=

No.	Lev.	Parts No.	Description	Q'ty						I	R
				(A)	(B)	(C)	(D)	(E)	(F)		
88	2	26116-050302	BOLT, M5X 30 PLATED	2							
89	2	26716-060002	NUT, M6	2							
90	2	22190-160002	WASHER, SEAL 16	1							
93	2	129155-52050	GASKET	1							
94	2	129100-52200	COVER	1							
95	2	22217-050000	WASHER, SPRING 5	2							

Remarks

(1) GOVERNOR ASSY(FIG.NO.12) IS INCORPORATED IN THIS FUEL INJECTION PUMP ASSY(REF.NO.1).

Fig.12. GOVERNOR



Remarks

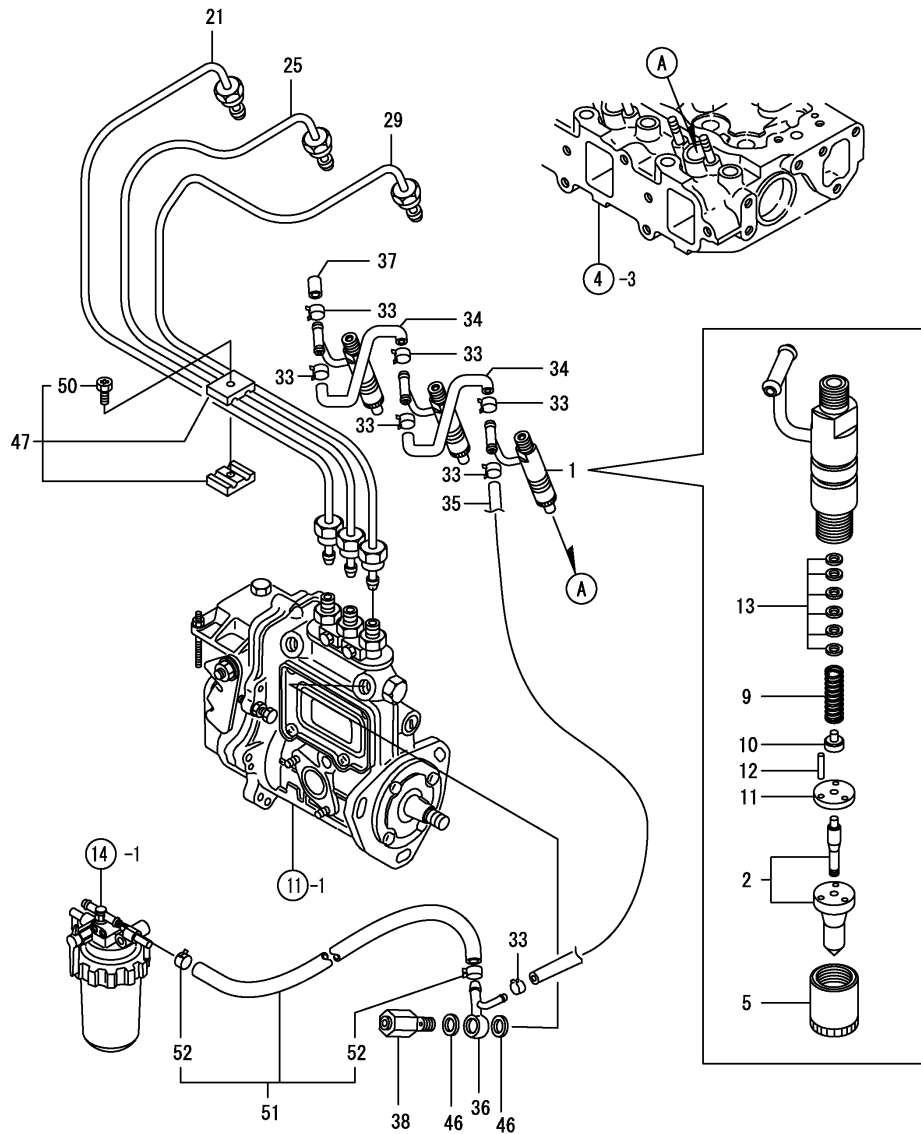
- (1) SELECTIVE PARTS: CERTAIN THE CLASSIFICATION MARK, THEN PLACE YOUR ORDER.(REFER TO ILLUSTRATION).
- (2) SELECTIVE PARTS.
* THIS FIGURE(GOVERNOR ASSY) IS INCORPORATED IN THE FUEL INJECTION PUMP ASSY(FIG.11).

(A)=3TNE88-TB
(B)=
(C)=

(D)=
(E)=
(F)=

No.	Lev.	Parts No.	Description	Q'ty						I	R
				(A)	(B)	(C)	(D)	(E)	(F)		
2	2	129155-51280	O-RING, S6	1							
5	2	129052-61050	GASKET	1							
6	2	129052-61060	COVER, GOVERNOR CASE	1							
7	2	129052-61070	GASKET	1							
8	2	129155-61120	LINK, L=30 MARK 0	1							1
9	2	129155-61130	LINK, L=31 MARK 1	1							1
10	2	129155-61140	LINK, L=30.5 MARK 05	1							1
11	2	129155-61201	WEIGHT ASSY,GOVERNOR	1							
15	2	129155-61341	SLEEVE	1							2
16	2	129100-61400	SHAFT ASSY	1							
19	2	129155-61430	SPACER	1							
23	2	129155-61450	BOLT, LIMITER	1							
24	2	129155-61460	BOLT, IDLE	1							
25	2	129155-61480	SPACER ASSY	2							
30	2	129052-61390	SHAFT	1							
31	2	129052-61500	LEVER ASSY, GOVERNOR	1							
32	3	174307-51700	SHIM SET	2							
46	3	129052-61540	SPRING, SET	1							
56	2	119660-61901	RETAINER, SHAFT	1							
57	2	129155-61950	BOLT	1							
58	2	124550-66370	NUT, M6	1							
59	2	22117-040000	WASHER, 4	1							
60	2	22190-060002	WASHER, SEAL 6	1							
61	2	22190-100002	WASHER, SEAL 10	1							
62	2	22190-120002	WASHER, SEAL 12	2							
63	2	22287-120000	WASHER, 12	1							
64	2	22372-040000	PIN, SNAP 4	2							
65	2	23887-100002	PLUG, 10	1							
66	2	24341-000280	O-RING, 1AS28.0	1							
66-1	2	158552-61900	O-RING	1							N
(A=EXXXXX)											
67	2	26106-060102	BOLT, M6X 10 PLATED	1							
68	2	26106-060102	BOLT, M6X 10 PLATED	1							
69	2	26106-060102	BOLT, M6X 10 PLATED	4							
70	2	26106-060142	BOLT, M6X 14 PLATED	2							
71	2	26106-060202	BOLT, M6X 20 PLATED	6							
72	2	26756-060002	NUT, LOCK M6	1							
73	2	26776-120002	NUT, LOCK M12	2							
74	2	26366-080002	NUT, M8	1							
75	2	129100-61440	LEVER, CONTROL	1							
76	2	129100-61650	SPRING, CONTROLLER	1							
77	2	129489-61700	SPRING, GOVERNOR	1							
78	2	119285-77951	SOLENOID	1							
79	2	26687-120002	NUT, CAP M12	1							
80	2	129155-61350	SLEEVE, L=24.9	1							2
81	2	129155-61360	SLEEVE, L=25.2	1							2
82	2	129155-61470	BOLT, CONTROL	1							
83	2	129132-61550	ANGLEICH ASSY	1							
107	2	129155-61830	O-RING, S10	1							

Fig.13. FUEL INJECTION VALVE



(A)=3TNE88-TB

(B)=

(C)=

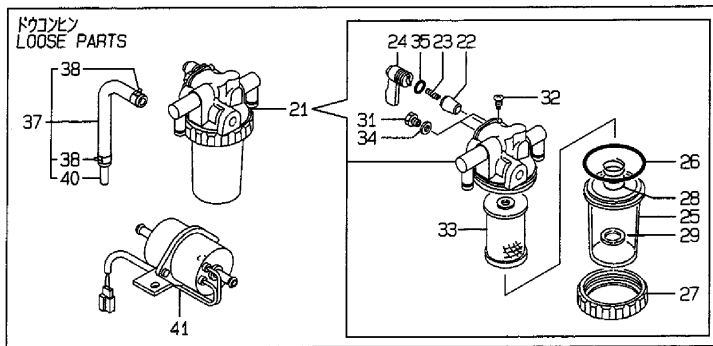
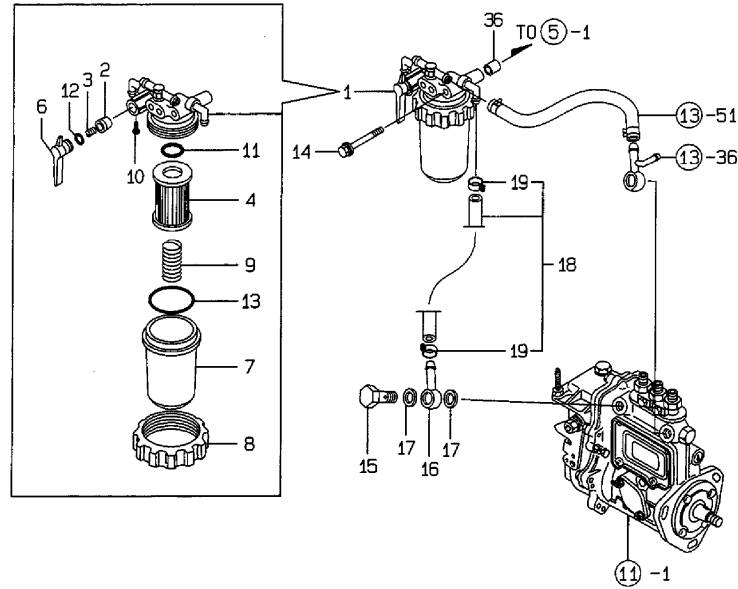
(D)=

(E)=

(F)=

No.	Lev.	Parts No.	Description	Q'ty						I	R
				(A)	(B)	(C)	(D)	(E)	(F)		
1	1	729102-53100	VALVE ASSY,INJECTION	3							
2	2	129102-53000	VALVE ASSY,INJECTION	3							
5	2	114250-53080	NUT, NOZZLE D16.95	3							
9	2	114250-53120	SPRING, NOZZLE	3							
10	2	114250-53130	SEAT, SPRING	3							
11	2	114250-53140	PLATE	3							
12	2	114250-53210	PIN	6							
13	2	114250-53400	SHIM SET	3							
21	1	129001-59910	PIPE ASSY, INJECTION	1							
25	1	129001-59920	PIPE ASSY, INJECTION	1							
29	1	129001-59930	PIPE ASSY, INJECTION	1							
33	1	124066-59100	CLIP, HOSE 8	7							
34	1	121250-59550	PIPE, FUEL D8X120	2							
35	1	119840-59560	PIPE, FUEL RETURN	1							
36	1	119840-59570	JOINT	1							
37	1	129150-59580	CAP	1							
38	1	129100-59951	VALVE ASSY, CHECK	1							
46	1	23414-120000	GASKET, 12X1.0	2							
47	1	119305-59120	RETAINER, PIPE	2							
50	2	129150-59131	BOLT, M4X14	2							
51	1	129210-59130	PIPE ASSY, FUEL	1							
52	2	124766-59050	CLIP, HOSE 12	2							

Fig.14. FUEL LINE



(A)=3TNE88-TB

(B)=

(C)=

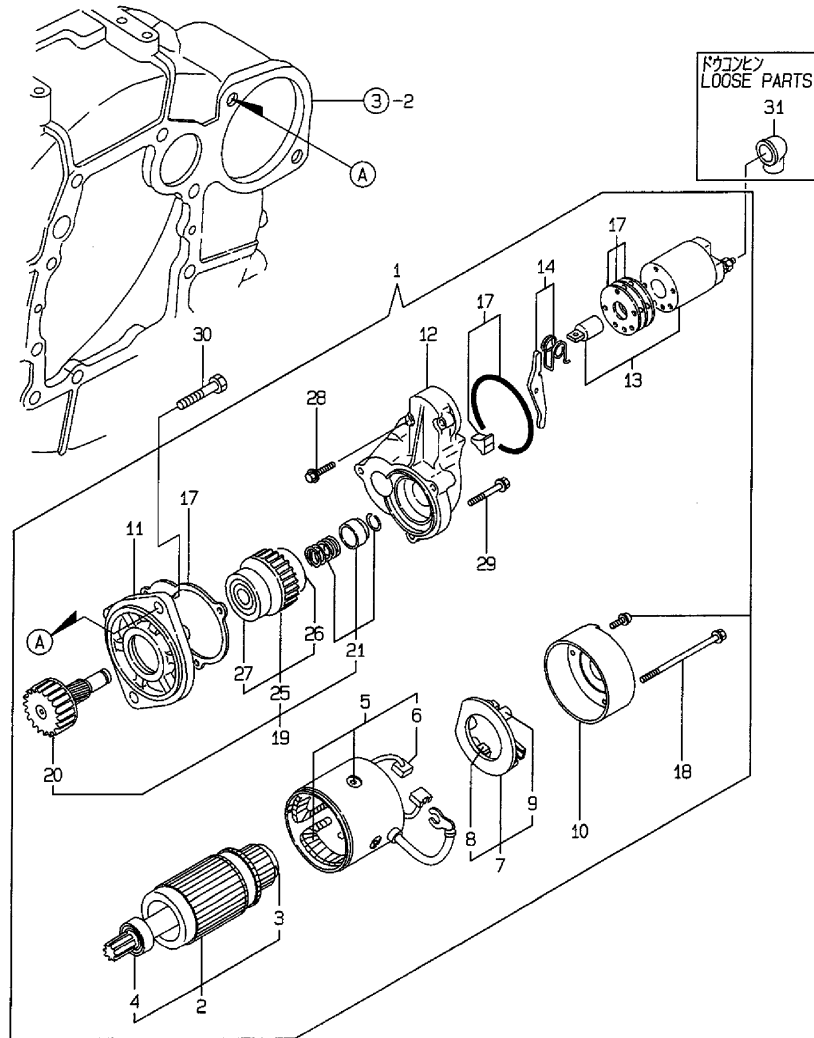
(D)=

(E)=

(F)=

No.	Lev.	Parts No.	Description	Qty						I	R
				(A)	(B)	(C)	(D)	(E)	(F)		
1	1	129052-55620	FILTER ASSY, FUEL	1							
2	2	104200-55321	VALVE, TAPER	1							
3	2	104200-55330	SPRING, VALVE	1							
4	2	129100-55650	ELEMENT	1							
6	2	129100-55670	LEVER	1							
7	2	129100-55680	CUP, STRAINER	1							
8	2	129100-55690	RING, RETAINING	1							
9	2	129100-55700	SPRING	1							
10	2	104200-55750	SCREW, M4	1							
11	2	24311-000160	O-RING, 1AP16.0	1							
12	2	24311-240100	O-RING, 1AP10A	1							
13	2	24321-000650	O-RING, 1AG65.0	1							
14	1	26014-080852	BOLT, M8X 85	1							
15	1	103854-39140	BOLT, PIPE JOINT	1							
16	1	101304-59020	JOINT, PIPE 12	1							
17	1	22190-120002	WASHER, SEAL 12	2							
18	1	129210-59020	PIPE ASSY, FUEL	1							
19	2	124766-59050	CLIP, HOSE 12	2							
21	1	129335-55700	SEPARATOR ASSY,WATER	1							
22	2	104200-55321	VALVE, TAPER	1							
23	2	104200-55330	SPRING, VALVE	1							
24	2	104200-55341	HANDLE	1							
25	2	124064-55510	COVER	1							
26	2	102103-55520	O-RING	1							
27	2	110250-55610	RING, RETAINING	1							
28	2	121257-55720	SPRING	1							
29	2	121257-55731	FLOAT	1							
31	2	101720-55750	PLUG, 6	2							
32	2	104200-55750	SCREW, M4	1							
33	2	171081-55910	SCREEN	1							
34	2	23418-060000	GASKET, 6X1.0	2							
35	2	24311-240100	O-RING, 1AP10A	1							
36	1	129411-55690	SPACER	1							
37	1	119840-59601	BEND	1							
38	2	124766-59050	CLIP, HOSE 12	2							
40	2	119840-59621	JOINT	1							
41	1	129322-77401	PUMP ASSY, FUEL FEED	1							

Fig.15. STARTING MOTOR



(A)=3TNE88-TB

(B)=

(C)=

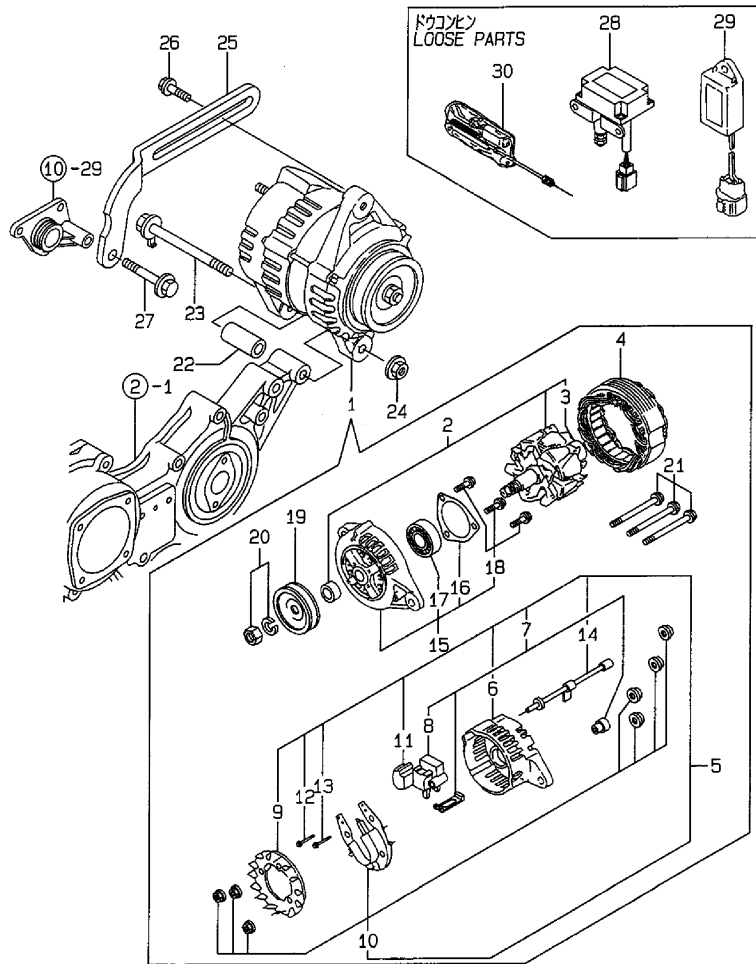
(D)=

(E)=

(F)=

No.	Lev.	Parts No.	Description	Q'ty						I	R
				(A)	(B)	(C)	(D)	(E)	(F)		
1	1	129400-77012	STARTING MOTOR	1							
2	2	129486-77400	ARMATUER	1							
3	3	171008-77410	BEARING(1)	1							
4	3	171008-77420	BEARING(2)	1							
5	2	129400-77441	COIL ASSY, FIELD	1							
6	3	129486-77460	BRUSH	2							
7	2	129486-77470	HOLDER ASSY, BRUSH	1							
8	3	129486-77460	BRUSH	2							
9	3	129486-77490	SPRING, START BRUSH	4							
10	2	129900-77460	COVER, REAR	1							
11	2	171008-77510	HOUSING ASSY, GEAR	1							
12	2	129400-77520	HOUSING, CENTER	1							
13	2	129400-77531	SWITCH ASSY, MAGNETIC	1							
14	2	171008-77540	LEVER SET, SHIFT	1							
17	2	129400-77571	DUST COVER, (NON-ASB.)	1							
18	2	129900-77640	BOLT, THROUGH	2							
19	2	171008-77650	PINION ASSY	1							
20	3	171008-77660	SHAFT, PINION	1							
21	3	171008-77670	STOPPER SET, PINION	1							
25	3	X2114555500	CLUTCH ASSY	1							
26	4	X2114955020	BALL BEARING	1							
27	4	X2240410100	BEARING, BALL	1							
28	2	26106-060322	BOLT, M6X 32 PLATED	2							
29	2	26106-060402	BOLT, M6X 40 PLATED	3							
30	1	26116-120252	BOLT, M12X 25 PLATED	2							
31	1	124550-77030	COVER, TERMINAL	1							

Fig.16. GENERATOR



(A)=3TNE88-TB

(B)=

(C)=

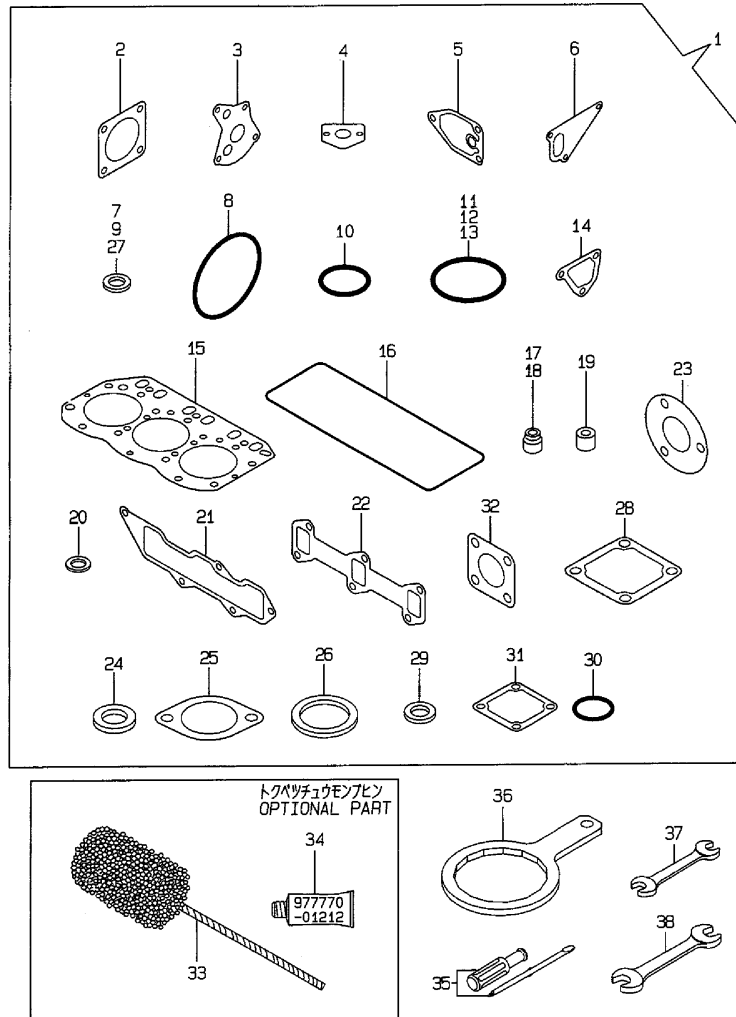
(D)=

(E)=

(F)=

No.	Lev.	Parts No.	Description	Q'ty						I	R
				(A)	(B)	(C)	(D)	(E)	(F)		
1	1	119836-77200	GENERATOR	1							
2	2	119836-77700	ROTOR ASSY	1							
3	3	119836-77850	BALL BEARING	1							
4	2	119836-77710	STATOR ASSY	1							
5	2	119836-77721	COVER ASSY, REAR	1							
6	3	119836-77730	COVER, REAR	1							
7	3	119836-77741	BRUSH ASSY,REGULATOR	1							
8	4	119836-77750	BRUSH ASSY	1							
9	3	119836-77760	GUIDE, FAN SIDE	1							
10	3	119836-77770	DIODE ASSY	1							
11	3	119836-77780	CONDENSER	1							
12	3	119836-77871	BOLT (1)	1							
13	3	119836-77880	BOLT (2)	1							
14	3	119836-77890	WIRE ASSY, LEAD	1							
15	2	119836-77790	COVER ASSY, FRONT	1							
16	3	119836-77800	RETAINER, BEARING	1							
17	3	119836-77840	BALL BEARING	1							
18	3	119836-77860	SCREW KID	1							
19	2	119836-77810	PULLEY	1							
20	2	119836-77820	NUT ASSY, PULLEY	1							
21	2	119836-77830	BOLT, THROUGH	1							
22	1	119820-77340	PIECE, DISTANCE	1							
23	1	129136-77251	BOLT, M8X110	1							
24	1	26366-080002	NUT, M8	1							
25	1	129100-77330	ADJUSTER	1							
26	1	119810-77340	BOLT, ADJUSTER	1							
27	1	26106-080502	BOLT, M8X 50 PLATED	1							
28	1	129136-77100	RELAY, SAFETY	1							
29	1	119632-77920	TIMER	1							
30	1	114654-77900	STOPPER ASSY	1							

Fig.17. GASKET SET



No.	Lev.	Parts No.	Description	Q'ty						I	R
				(A)	(B)	(C)	(D)	(E)	(F)		
1	1	729001-92600	GASKET SET	1							1
2	2	124240-01883	GASKET	1							
3	2	129150-32020	GASKET, PUMP	1							
4	2	129150-35041	GASKET	1							
5	2	129150-35111	GASKET	1							
6	2	129100-42020	GASKET, WATER PUMP	1							
7	2	22190-080002	WASHER, SEAL 6	1							
8	2	121850-51960	O-RING	1							
9	2	129150-49360	GASKET	1							
10	2	24311-000160	O-RING, 1AP16.0	3							
11	2	24341-000240	O-RING, 1AS24.0	1							
12	2	24311-000320	O-RING, 1AP32.0	3							
13	2	24321-000300	O-RING, 1AG30.0	1							
14	2	129100-49840	GASKET	1							
15	2	129001-01340	GASKET, HEAD	1							
16	2	129001-11310	GASKET, BONNET	1							
17	2	121400-11340	SEAL, VALVE STEM	3							
18	2	124460-11340	SEAL, VALVE STEM	3							
19	2	119625-11870	PROTECTOR, NOZZLE	3							
20	2	119625-11880	SEAT, NOZZLE	3							
21	2	129001-12110	GASKET, MANIFOLD	1							
22	2	129150-13110	GASKET	1							
23	2	103954-13201	GASKET, SILENCER	1							
24	2	124465-44950	GASKET, 16	1							
25	2	129795-49551	GASKET	1							
26	2	129150-49811	GASKET, THERMOSTAT	1							
27	2	22190-120002	WASHER, SEAL 12	2							
28	2	129150-77511	GASKET	1							
29	2	23414-120000	GASKET, 12X1.0	2							
30	2	24311-000120	O-RING, 1AP12.0	3							
31	2	129100-77510	GASKET, AIR HEATER	1							
32	2	124701-11911	GASKET, SILENCER	1							
33	1	129400-92420	FLEX HORN	1							1
34	1	977770-01212	GASKET, LIQUID	1							1
35	1	104200-92350	DRIVER, SCREW	1							
36	1	119640-92750	WRENCH, FILTER 80	1							
37	1	28110-100120	SPANNER, 10X12	1							
38	1	28110-140170	SPANNER, 14X17	1							

Remarks
(1) OPTIONAL PART.

Parts No. Index

Parts No.	Fig. No.	Ref. No.
101304-59020	14	16
101720-55750	14	31
102103-55520	14	26
103854-39140	14	15
103954-13201	6	17
	17	23
104200-55321	14	2
		22
104200-55330	14	3
		23
104200-55341	14	24
104200-55750	14	10
		32
104200-92350	17	35
110250-55610	14	27
114250-53080	13	5
114250-53120	13	9
114250-53130	13	10
114250-53140	13	11
114250-53210	13	12
114250-53400	13	13
114654-77900	16	30
119131-18320	6	5
119140-12680	5	27
119266-49350	10	27
119285-77951	12	78
119305-59120	13	47
119620-01750	3	3
119625-11870	4	21
	17	19
119625-11880	4	22
	17	20
119625-11900	4	23
119632-77920	16	29
119640-01640	3	9
119640-92750	17	36
119660-61901	12	56
119808-12540	5	26
119810-51040	11	6
119810-77340	16	26
119820-77340	16	22
119836-77200	16	1
119836-77700	16	2
119836-77710	16	4
119836-77721	16	5
119836-77730	16	6
119836-77741	16	7
119836-77750	16	8
119836-77760	16	9
119836-77770	16	10

Parts No.	Fig. No.	Ref. No.
119836-77780	16	11
119836-77790	16	15
119836-77800	16	16
119836-77810	16	19
119836-77820	16	20
119836-77830	16	21
119836-77840	16	17
119836-77850	16	3
119836-77860	16	18
119836-77871	16	12
119836-77880	16	13
119836-77890	16	14
119840-59560	13	35
119840-59570	13	36
119840-59601	14	37
119840-59621	14	40
119860-49010	10	51
119860-49020	10	52
119865-21600	8	14
119866-12530	5	25
119869-12220	5	18
119910-12210	5	6
119910-12560	5	7
120130-11860	4	7
121023-01550	2	25
121111-21501	8	40
121120-13590	6	10
121250-44590	10	44
121250-44901	10	41
121250-59550	13	34
121256-44600	10	39
121257-55720	14	28
121257-55731	14	29
121400-11340	4	18
	17	17
121450-01560	2	6
121450-44531	10	34
121470-44581	10	36
121520-34810	9	14
121520-44740	10	17
121550-23200	8	28
121750-49110	10	1
121850-21680	8	10
121850-51960	2	12
	17	8
122117-51560	11	50
122710-51090	11	10
123682-44210	10	43
124064-55510	14	25
124066-59100	13	33

Parts No.	Fig. No.	Ref. No.
124160-01751	2	7
	4	41
124160-01910	1	5
124160-11360	4	40
124160-39140	9	29
124160-39451	9	28
124240-01871	2	8
124240-01883	2	9
	17	2
124450-44550	10	38
124450-44560	10	35
124460-11340	4	19
	17	18
124465-44950	10	26
	17	24
124550-51350	11	32
124550-51370	11	33
124550-59820	9	34
124550-66370	12	58
124550-77030	15	31
124701-11911	6	7
	17	32
124736-07900	4	2
124766-59050	13	52
	14	19
		38
124950-51190	11	17
129001-01340	1	28
	17	15
129001-02800	1	15
129001-11310	4	45
	17	16
129001-11340	4	46
129001-11350	4	42
129001-11700	4	3
129001-12100	5	1
129001-12110	5	3
	17	21
129001-21000	8	1
129001-22081	8	15
129001-22500	8	17
129001-22901	8	31
129001-22950	8	33
129001-32001	9	1
129001-35300	9	24
129001-42002	10	2
129001-42040	10	29
129001-59910	13	21
129001-59920	13	25
129001-59930	13	29

Parts No.	Fig. No.	Ref. No.
129001-91840	2	21
129002-13501	6	8
129052-55620	14	1
129052-61050	12	5
129052-61060	12	6
129052-61070	12	7
129052-61390	12	30
129052-61500	12	31
129052-61540	12	46
129100-01580	3	1
		15
	8	2
129100-01640	3	16
129100-01730	3	6
129100-11100	4	13
129100-11110	4	14
129100-11240	4	24
129100-11650	4	31
129100-23910	8	27
129100-25061	7	18
129100-42020	10	40
	17	6
129100-49840	10	24
	17	14
129100-51300	11	27
129100-52200	11	94
129100-55650	14	4
129100-55670	14	6
129100-55680	14	7
129100-55690	14	8
129100-55700	14	9
129100-59951	13	38
129100-61400	12	16
129100-61440	12	75
129100-61650	12	76
129100-77330	16	25
129100-77500	5	11
129100-77510	5	12
	17	31
129102-53000	13	2
129128-21590	8	11
129129-14580	7	3
129132-12210	5	17
129132-44500	10	42
129132-44520	10	46
129132-44530	10	47
129132-44590	10	49
129132-44901	10	50
129132-61550	12	83
129136-77100	16	28

Parts No. Index

Parts No.	Fig. No.	Ref. No.
129136-77251	16	23
129150-01200	1	27
129150-02020	1	7
129150-02450	7	4
129150-02870	1	32
129150-02930	1	24
129150-02940	1	29
129150-03100	2	11
129150-11230	4	32
129150-11280	4	27
129150-11290	4	28
129150-11370	4	20
129150-11750	4	34
129150-11810	4	9
129150-13110	6	2
	17	22
129150-14101	7	7
129150-14200	7	1
129150-14400	7	2
129150-21200	8	5
129150-23600	8	29
129150-23610	8	37
129150-25101	7	9
129150-25900	7	14
129150-25920	7	12
129150-32020	9	37
	17	3
129150-35041	9	15
	17	4
129150-35091	9	16
129150-35101	9	21
129150-35111	9	22
	17	5
129150-35151	9	23
129150-35350	9	25
129150-39450	9	30
129150-49080	10	55
129150-49100	10	54
129150-49360	10	28
	17	9
129150-49811	10	23
	17	26
129150-59131	13	50
129150-59580	13	37
129150-77511	5	13
	17	28
129155-11260	4	25
129155-11270	4	26
129155-49800	10	22
129155-51020	11	5

Parts No.	Fig. No.	Ref. No.
129155-51050	11	8
129155-51060	11	9
129155-51140	11	14
129155-51180	11	16
129155-51200	11	18
129155-51270	11	25
129155-51280	11	26
	12	2
129155-51320	11	30
129155-51340	11	31
129155-51370	11	34
129155-51380	11	35
129155-51390	11	36
129155-51400	11	37
129155-51410	11	38
129155-51420	11	39
129155-51450	11	40
129155-51500	11	45
129155-51521	11	46
129155-51530	11	47
129155-51540	11	48
129155-51550	11	49
129155-51570	11	52
129155-51580	11	53
129155-51591	11	54
129155-51600	11	55
129155-51700	11	74
129155-51710	11	75
129155-51750	11	76
129155-51760	11	77
129155-51790	11	78
129155-51930	11	80
129155-51940	11	81
129155-52050	11	93
129155-61120	12	8
129155-61130	12	9
129155-61140	12	10
129155-61201	12	11
129155-61341	12	15
129155-61350	12	80
129155-61360	12	81
129155-61430	12	19
129155-61450	12	23
129155-61460	12	24
129155-61470	12	82
129155-61480	12	25
129155-61830	12	107
129155-61950	12	57
129156-51910	11	79
129202-22300	8	21

Parts No.	Fig. No.	Ref. No.
129210-59020	14	18
129210-59130	13	51
129211-13100	6	1
129322-77401	14	41
129335-55700	14	21
129350-49560	10	20
129400-01520	2	5
129400-77012	15	1
129400-77441	15	5
129400-77520	15	12
129400-77531	15	13
129400-77571	15	17
129400-92420	17	33
129403-34800	9	39
129411-55690	14	36
129486-01670	3	19
129486-77400	15	2
129486-77460	15	6
		8
129486-77470	15	7
129486-77490	15	9
129489-61700	12	77
129506-51100	11	11
129556-42350	10	16
129612-01600	3	2
129612-12550	5	24
129612-12560	5	21
129612-12680	5	20
129612-12690	5	23
129795-01780	3	18
129795-01800	2	4
129795-01950	2	10
129795-02411	1	14
129795-11120	4	15
129795-11180	4	16
129795-21661	8	9
129795-49551	10	21
	17	25
129900-77460	15	10
129900-77640	15	18
158552-61900	12	66 -1
171008-77410	15	3
171008-77420	15	4
171008-77510	15	11
171008-77540	15	14
171008-77650	15	19
171008-77660	15	20
171008-77670	15	21
171031-11741	2	28
171051-01921	1	6

Parts No.	Fig. No.	Ref. No.
171064-44510	10	32
171081-55910	14	33
171340-21650	8	8
171340-77520	5	14
171350-03090	4	1
171353-44760	10	18
174307-51170	11	15
174307-51560	11	51
174307-51700	12	32
22117-040000	12	59
22137-100000	6	12
22190-060002	12	60
22190-080002	2	23
	17	7
22190-100002	12	61
22190-120002	12	62
	14	17
	17	27
22190-160002	11	90
22190-220002	3	11
22217-050000	11	95
22217-060000	11	82
22217-100000	6	13
22217-120000	7	15
22252-000260	8	22
22287-120000	12	63
22351-040010	8	39
22351-050010	11	83
22351-060012	4	38
22372-040000	12	64
22512-070140	7	8
	8	6
23000-060000	5	8
		19
		22
23010-038000	10	53
23065-070225	10	37
23414-080000	9	35
23414-100000	9	36
23414-120000	13	46
	17	29
23418-060000	14	34
23871-010000	1	10
23871-030000	10	12
23887-100002	12	65
24101-063034	11	84
24311-000120	4	48
	17	30
24311-000160	2	13

Parts No. Index

Parts No.	Fig. No.	Ref. No.
24311-000160	9	26
	14	11
	17	10
24311-000320	2	14
		29
	4	47
24311-240100	17	12
	14	12
		35
24321-000300	10	30
	17	13
24321-000650	14	13
24341-000160	11	85
24341-000240	2	26
	17	11
24341-000280	12	66
25132-003800	10	15
26013-080222	5	9
		10
26014-080162	10	48
26014-080852	14	14
26022-050102	11	86
26022-060162	11	87
26106-060102	12	67
		68
		69
26106-060142	12	70
26106-060162	2	27
26106-060202	12	71
26106-060322	15	28
26106-060402	15	29
26106-060452	10	19
26106-080122	2	15
26106-080142	4	49
	7	17
	2	16
26106-080162		17
	3	12
	10	31
26106-080202	2	18
	5	4
	9	27
	10	25
26106-080252	3	13
	4	36
26106-080352	3	20
	9	20
26106-080402	5	15
26106-080452	2	19
	3	14

Parts No.	Fig. No.	Ref. No.
26106-080452	7	13
26106-080502	4	37
	16	27
26106-080552	2	20
26106-080602	10	14
26106-080802	5	5
		16
	6	4
26106-100202	6	16
26106-100652	6	14
26116-050302	11	88
26116-120252	15	30
26206-100252	3	4
26206-100302	3	5
26216-060202	4	11
26216-080802	6	6
26226-080182	4	35
26366-060002	4	39
26366-080002	2	22
	6	3
		9
	12	74
	16	24
26450-060252	9	38
26687-120002	12	79
26706-100002	6	15
26716-060002	11	89
26716-120002	7	16
26756-060002	12	72
26776-120002	12	73
27231-500000	1	11
27241-120000	1	12
27241-300000	1	13
27241-400000	4	12
27310-080001	4	17
28110-100120	17	37
28110-140170	17	38
719810-01500	2	1
729001-01560	1	1
729001-92600	17	1
729030-51400	11	1
729102-01540	3	8
729102-53100	13	1
729402-23100	8	23
977770-01212	2	30
	3	21
	17	34
X2114555500	15	25
X2114955020	15	26
X2240410100	15	27

Parts No.	Fig. No.	Ref. No.
-----------	----------	----------

Parts No.	Fig. No.	Ref. No.
-----------	----------	----------