

0CV10-M51600EN

P R E F A C E

1. This Parts Catalog carries all parts incorporated in YANMAR Model 3TNE84T - MP engine manufactured since April, 1997.
2. Each illustration corresponds to the parts list on the following page.
3. When ordering parts, clearly write down the engine model and serial number, as well as the name and number of each part in your order sheet. This will help insure reliable delivery of the parts you have ordered.

Directions for the Parts Catalog.

1. The parts stipulated in this Parts Catalog are not necessarily standard equipped parts.
2. Parts may change without prior notice.
3. The following is an example of the Parts Catalog format.

REF.	LEV.	PARTS NO.	DESCRIPTION	Q'TY						I	R
				(A)	(B)	(C)	(D)	(E)	(F)		
1	1	729595-51390	FUEL INJECTION PUMP	1	1	1	1	1			1
1-1	1	729595-51391	FUEL INJECTION PUMP	1	1	1	1	1		N	1
		(A=E00185) (B=E00200)									
3	2	26022-060162	SCREW M 6X 16	9	9	9	9	9			
3-1	2	26022-060162	SCREW M 6X 16	4	4	4	4	4		K	
		(A=E00156) (B=E00156) (C=E00156) (D=E00156) (E=E00156)									
4	2	129470-51040	CAMSHAFT	1	1	1	1	1			
5	2	122710-51050	BEARING, ROLLER	2	2	2	2	2			
6	2	129470-51060	RETAINER	1	1	1	1	1			

Remarks
(1) BOOST COMPEMSATOR TYPE. OPTIONAL PART, TO E00155,(4JH-DT, 4JH-DTZ

① Ref. No.

The Ref. No. listed may not be in accordance with the illustration Ref. No.

(Ex.) Illustration No.

List Ref No.

1 1 (Before change) → 1-1 (After change)

For interchangeable symbols N, R and K, illustrations for new parts may be abbreviated.

② Lev. (Level)

Level indication

The numbers below indicate the level of relativity towards the main part.

1 ---- Main parts (Assembly parts)

2 ---- Sub component included in " 1 ".

3 ---- Sub component included in " 2 ".

Note) Parts that are not for sale are partially illustrated but not listed.

③ Interchangeability Mark

When a part change takes place, one of the following interchangeability symbols is indicated beside the part.

Symbol	Interchangeability	Contents note
N	Old $\begin{matrix} \leftarrow \text{Yes} \\ \text{No} \rightarrow \end{matrix}$ New	New Part is interchangeable for Old Part but Old Part is not interchangeable for New Part.
Q	Old $\begin{matrix} \leftarrow \text{No} \\ \text{Yes} \rightarrow \end{matrix}$ New	New Part is not interchangeable for Old Part but Old Part is interchangeable for New Part.
R	Old $\begin{matrix} \leftarrow \text{Yes} \\ \text{Yes} \rightarrow \end{matrix}$ New	New/ Old Parts are both interchangeable.
S	Old $\begin{matrix} \leftarrow \text{No} \\ \text{No} \rightarrow \end{matrix}$ New	New/ Old Parts are both not interchangeable.
W		Part newly added.
Z		Part discontinued.
F		Not interchangeable by a single part but interchangeable together with related parts.
K		Changes only for used parts quantities.

④ Effective Machine No.

When a part changes, the effective Machine No. will be indicated in the (A)-(F) column.

Product Symbol	Product No.	Product Symbol	Product No.
C	Clutch No. Compressor No.	F	Machine No. (Agricultural Equip.)
D	Drive No.	M	Machine No.
E	Engine No.		

Note 1) A date may follow the symbol. (Ex.) 1996.01

Note 2) "XXXXX" and "ZZZZZ" are for parts that could not be predicted or for engine models that could not be identified.

Note 3) (A=E00185) is the E (Engine Serial Number) for the column (A) model (in this case 4JH-DT) after the parts design change.

⑤ Remarks Mark

Figures or alphabets (symbols) are entered in the remarks column.

The comments (remarks) on parts that are indicated at the bottom of the illustration are the same symbols as those stated above.

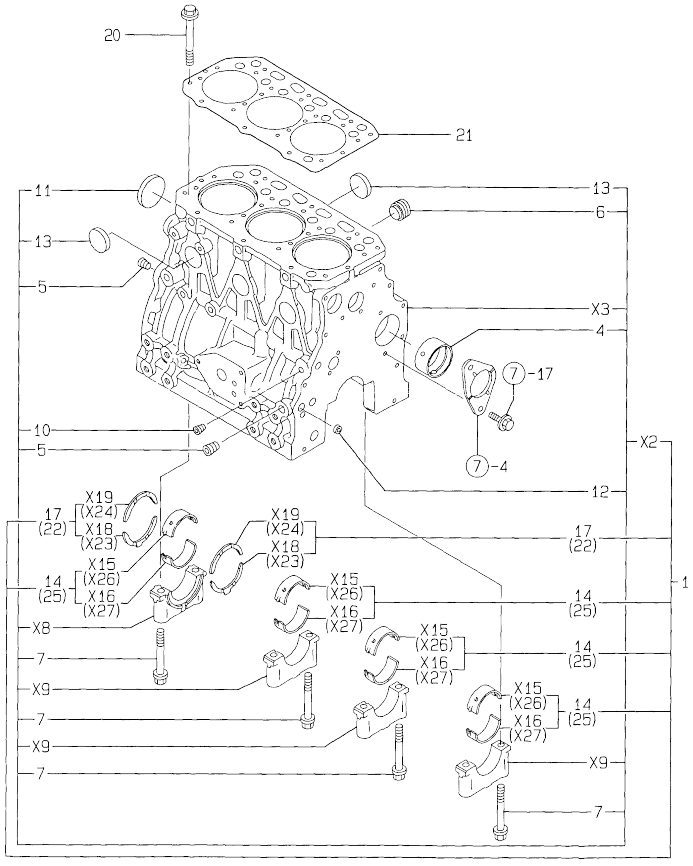
Contents

Fig. No.	Fig. Name	Fig. No.	Fig. Name
3TNE84T-MP			
1.	CYLINDER BLOCK		
2.	GEAR HOUSING		
3.	FLYWHEEL HOUSING & OIL SUMP		
4.	CYLINDER HEAD & BONNET		
5.	SUCTION MANIFOLD		
6.	EXHAUST MANIFOLD & SILENCER		
7.	CAMSHAFT & DRIVING GEAR		
8.	TURBINE		
9.	CRANKSHAFT & PISTON		
10.	LUB.OIL SYSTEM		
11.	LUB.OIL LINE		
12.	COOLING WATER SYSTEM		
13.	FUEL INJECTION PUMP		
14.	GOVERNOR		
15.	FUEL INJECTION VALVE		
16.	FUEL LINE		
17.	STARTING MOTOR		
18.	GENERATOR		
19.	GASKET SET		

OCV10-M51600

Fig.1. CYLINDER BLOCK

1. CYLINDER BLOCK



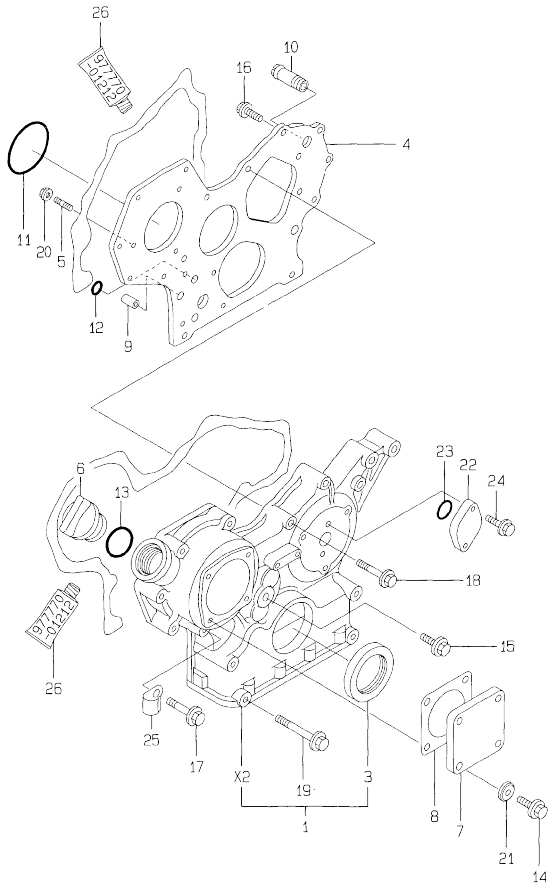
Remarks
 (1) OVER-SIZE(O.S=0.25)PART.
 (2) UNDER-SIZE(U.S=0.25)PART.

No.	Lev.	Parts No.	Description	Q'ty						I	R
				(A)	(B)	(C)	(D)	(E)	(F)		
1	1	729012-01560	BLOCK ASSY, CYLINDER	1							
4	3	129795-02411	BUSH, CAMSHAFT	1							
5	3	124160-01910	PLUG, PT1/4	3							
6	3	171051-01921	PLUG, NPTF1	1							
7	3	129150-02020	BOLT, METAL CAP	8							
10	3	23871-010000	PLUG, R01	1							
11	3	27231-500000	PLUG 50	1							
12	3	27241-120000	PLUG, 12	2							
13	3	27241-300000	PLUG 30	6							
14	2	129001-02800	BEARING, MAIN	4							
17	2	129150-02930	BEARING, THRUST	2							
20	1	129150-01200	BOLT, HEAD	14							
21	1	129002-01331	GASKET, HEAD	1							
22	1	129150-02940	BEARING, THRUST 0.25	2							1
25	1	129150-02870	BEARING, 0.25 US	4							2

N:Old $\frac{100}{100}$ New, Q:Old $\frac{100}{100}$ New, R:Old $\frac{100}{100}$ New, S:Old $\frac{100}{100}$ New, W:Add, Z:Discontinued, F:Interchangeable by set, K:Q'ty Change
 Copyright (C) YANMAR CO., LTD. All Rights Reserved.

Fig.2. GEAR HOUSING

2. GEAR HOUSING

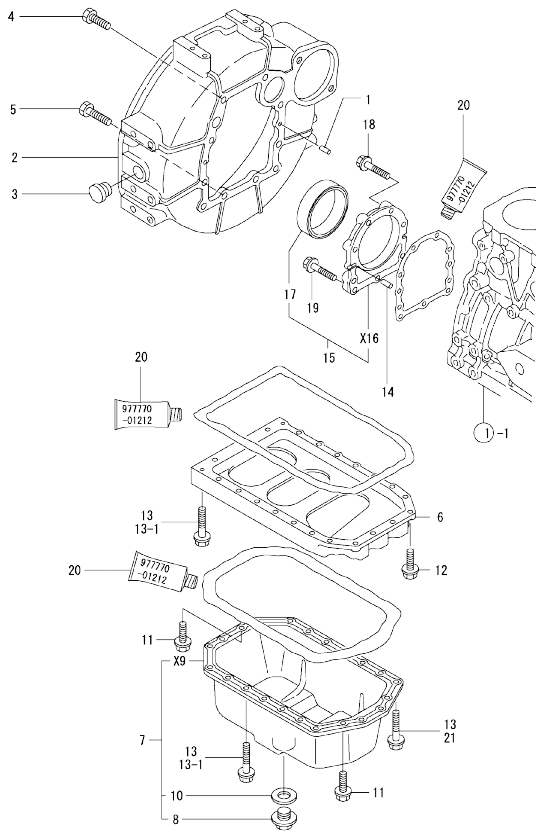


No.	Lev.	Parts No.	Description	Q'ty						I	R
				(A)	(B)	(C)	(D)	(E)	(F)		
1	1	719810-01500	CASE ASSY, GEAR	1							
3	2	129795-01800	SEAL, OIL	1							
4	1	129103-01530	FLANGE, GEAR CASE	1							
5	1	121450-01560	STUD, M8X22	3							
6	1	124160-01751	COVER, FILLER	1							
7	1	124240-01871	COVER	1							
8	1	124240-01883	GASKET	1							
9	1	129795-01950	PIPE, KNOCK L=18	2							
10	1	129122-44480	JOINT	1							
11	1	121850-51960	O-RING	1							
12	1	24311-000160	O-RING, 1AP16.0	2							
13	1	24311-000320	O-RING, 1AP32.0	1							
14	1	26106-080122	BOLT, M8X 12 PLATED	4							
15	1	26106-080162	BOLT, M8X 16 PLATED	1							
16	1	26106-080202	BOLT, M8X 20 PLATED	2							
17	1	26106-080452	BOLT, M8X 45 PLATED	6							
18	1	26106-080552	BOLT, M8X 55 PLATED	3							
19	1	26106-080852	BOLT, M8X 85 PLATED	4							
20	1	26366-080002	NUT, M8	3							
21	1	22190-080002	WASHER, SEAL 6	4							
22	1	121023-01550	COVER	1							
23	1	24341-000240	O-RING, 1AS24.0	1							
24	1	26106-060122	BOLT, M6X 12 PLATED	2							
25	1	129150-03100	RETAINER, PIPE	1							
26	1	977770-01212	GASKET, LIQUID	1							1

Remarks
(1) OPTIONAL PART.

OCV10-M51600

Fig.3. FLYWHEEL HOUSING & OIL SUMP



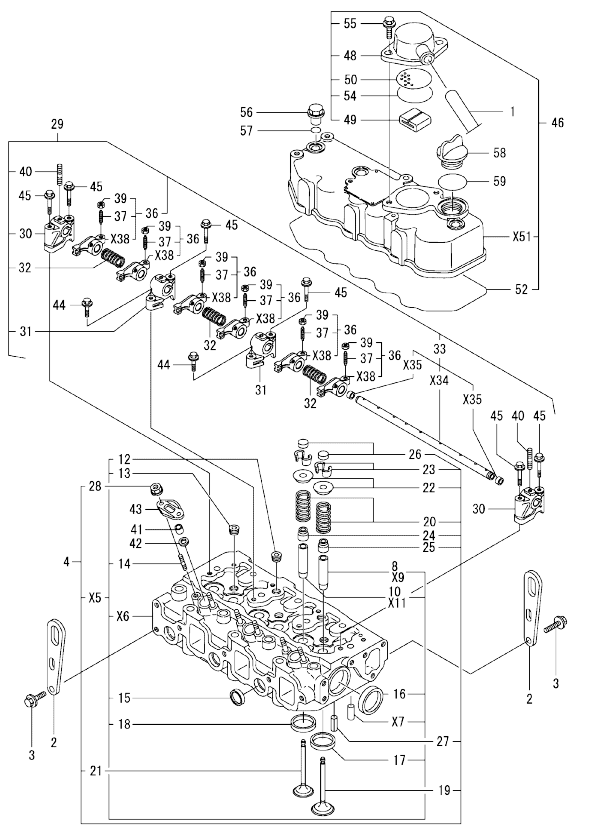
X-MARK PARTS: NOT SOLD SEPARATELY.

Remarks
(1) OPTIONAL PART.

No.	Lev.	Parts No.	Description	Q'ty						I	R
				(A)	(B)	(C)	(D)	(E)	(F)		
1	1	129100-01580	PIN, M8X16	2							
2	1	129612-01600	HOUSING, FLYWHEEL	1							
3	1	119620-01750	CAP	1							
4	1	26206-100252	BOLT, M10X 25 PLATED	6							
5	1	26206-100302	BOLT, M10X 30 PLATED	4							
6	1	129100-01730	SPACER, OIL SUMP	1							
7	1	729102-01540	SUMP ASSY, OIL	1							
8	2	119640-01640	PLUG, DRAIN M22	1							
10	2	22190-220002	WASHER, SEAL 22	1							
11	1	26106-080162	BOLT, M8X 16 PLATED	4							
12	1	26106-080252	BOLT, M8X 25 PLATED	2							
13	1	26106-080452	BOLT, M8X 45 PLATED	20							
13-1	1	26106-080452	BOLT, M8X 45 PLATED	16							K
(A=FROM 1ST)											
14	1	129100-01580	PIN, M8X16	2							
15	1	129100-01640	CASE ASSY, OIL SEAL	1							
17	2	129795-01780	SEAL, OIL	1							
18	1	129486-01670	BOLT, M8X30	6							
19	1	26106-080352	BOLT, M8X 35 PLATED	3							
20	1	977770-01212	GASKET, LIQUID	1							1
21	1	26106-080502	BOLT, M8X 50 PLATED	4							W
(A=FROM 1ST)											

N:Old $\frac{100}{100}$ New, Q:Old $\frac{100}{100}$ New, R:Old $\frac{100}{100}$ New, S:Old $\frac{100}{100}$ New, W:Add, Z:Discontinued, F:Interchangeable by set, K:Q'ty Change
Copyright (C) YANMAR CO., LTD. All Rights Reserved.

Fig.4. CYLINDER HEAD & BONNET



1-MARK PARTS:NOT SOLD SEPARATELY.

Remarks
(1) REPAIR PART.

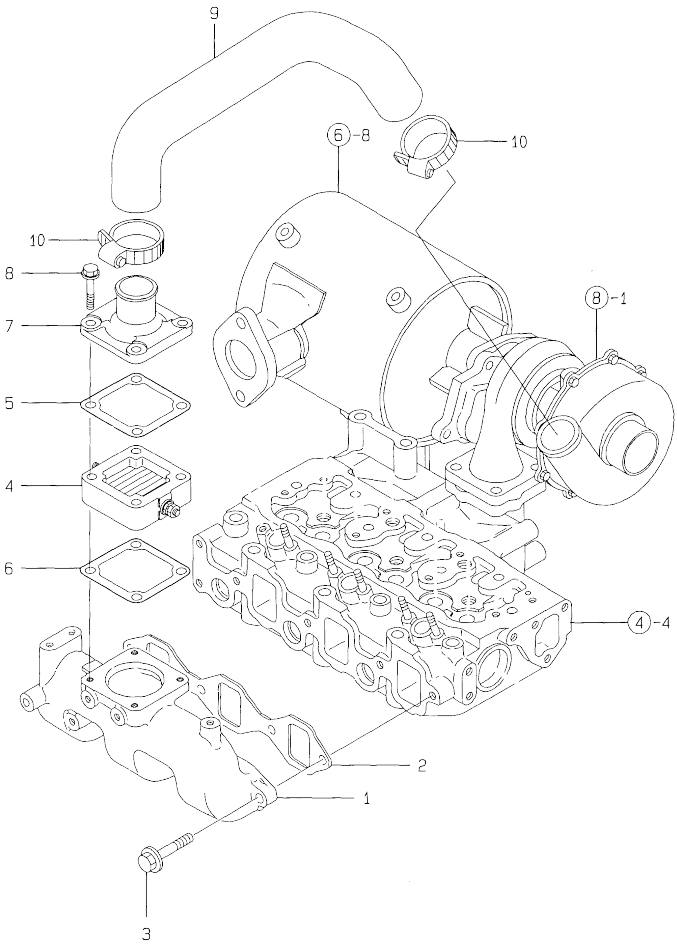
No.	Lev.	Parts No.	Description	Q'ty						I	R
				(A)	(B)	(C)	(D)	(E)	(F)		
1	1	171350-03090	PIPE , BREATHER 900	1							
2	1	124736-07900	LIFTER	2							
3	1	26106-080142	BOLT, M8X 14 PLATED	4							
4	1	729202-11710	HEAD ASSY, CYLINDER	1							
8	3	120130-11860	GUIDE, VALVE	3							1
10	3	129150-11810	GUIDE, VALVE	3							1
12	3	23871-020000	PLUG, R02	2							
13	3	23871-030000	PLUG, R03	3							
14	3	26216-060202	STUD, M6X 20	6							
15	3	27241-220000	PLUG, 22	3							
16	3	27241-400000	PLUG, 40	2							
17	3	129470-11080	SEAT, INTAKE VALVE	3							
18	3	129470-11090	SEAT, EXHAUST VALVE	3							
19	2	129100-11100	VALVE, INTAKE	3							
20	2	129795-11120	SPRING, VALVE	6							
21	2	129100-11130	VALVE, EXHAUST	3							
22	2	129795-11180	RETAINER, SPRING	6							
23	2	27310-080000	COTTER 8	6							
24	2	121400-11340	SEAL, VALVE STEM	3							
25	2	124460-11340	SEAL, VALVE STEM	3							
26	2	129150-11370	CAP, VALVE	6							
27	2	22351-060012	PIN, SPRING 6.0X12	2							
28	2	26366-060002	NUT, M6	6							
29	1	129155-11241	SHAFT ASSY, ROCKER	1							
30	2	129155-11260	SUPPORT, ROCKER ARM	2							
31	2	129155-11270	SUPPORT, ROCKER ARM	2							
32	2	129150-11280	SPRING	3							
33	2	129150-11290	SHAFT, ROCKER ARM	1							
36	2	729402-11650	ARM ASSY, ROCKER	6							
37	3	129150-11230	SCREW, VALVE ADJUST	6							
39	3	129150-11750	NUT, M8	6							
40	2	26226-080182	STUD, M8X 18	3							
41	1	119625-11871	PROTECTOR, NOZZLE	3							
42	1	119625-11880	SEAT, NOZZLE	3							
43	1	119625-11900	RETAINER, NOZZLE	3							
44	1	26106-080252	BOLT, M8X 25 PLATED	2							
45	1	26106-080502	BOLT, M8X 50 PLATED	6							
46	1	129100-11350	BONNET ASSY, HEAD	1							
48	2	129150-03020	COVER, BREATHER	1							
49	2	129150-03070	BAFFLE, BREATHER	1							
50	2	129150-03080	PLATE, BAFFLE	1							
52	2	129150-11310	GASKET, BONNET	1							
54	2	24341-000500	O-RING, 1AS50.0	1							
55	2	26106-080162	BOLT, M8X 16 PLATED	2							
56	1	124160-11360	KNOB	3							
57	1	24311-000120	O-RING, 1AP12.0	3							
58	1	124160-01751	COVER, FILLER	1							
59	1	24311-000320	O-RING, 1AP32.0	1							

N:Old $\frac{100}{100}$ New, Q:Old $\frac{100}{100}$ New, R:Old $\frac{100}{100}$ New, S:Old $\frac{100}{100}$ New, W:Add, Z:Discontinued, F:Interchangeable by set, K:Q'ty Change
Copyright (C) YANMAR CO., LTD. All Rights Reserved.

OCV10-M51600

Fig.5. SUCTION MANIFOLD

5. SUCTION MANIFOLD

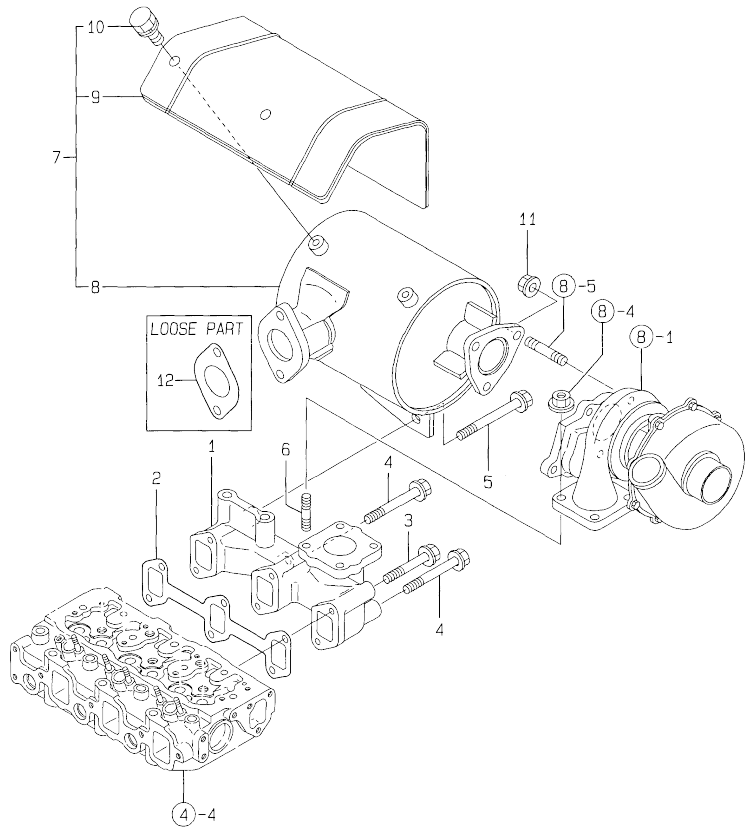


No.	Lev.	Parts No.	Description	Q'ty						I	R
				(A)	(B)	(C)	(D)	(E)	(F)		
1	1	129150-12100	MANIFOLD, AIR INTAKE	1							
2	1	129150-12111	GASKET, MANIFOLD	1							
3	1	26106-080252	BOLT, M8X 25 PLATED	4							
4	1	129100-77500	HEATER, AIR 12V	1							
5	1	129100-77510	GASKET, AIR HEATER	1							
6	1	129150-77511	GASKET	1							
7	1	129165-77520	BEND, AIR HEATER	1							
8	1	26106-080402	BOLT, M8X 40 PLATED	4							
9	1	129258-12080	HOSE, DRAIN	1							
10	1	23000-054000	CLAMP, 54	2							

N:Old $\frac{100}{100}$ New, Q:Old $\frac{100}{100}$ New, R:Old $\frac{100}{100}$ New, S:Old $\frac{100}{100}$ New, W:Add, Z:Discontinued, F:Interchangeable by set, K:Q'ty Change
 Copyright (C) YANMAR CO., LTD. All Rights Reserved.

Fig.6. EXHAUST MANIFOLD & SILENCER

6. EXHAUST MANIFOLD & SILENCER

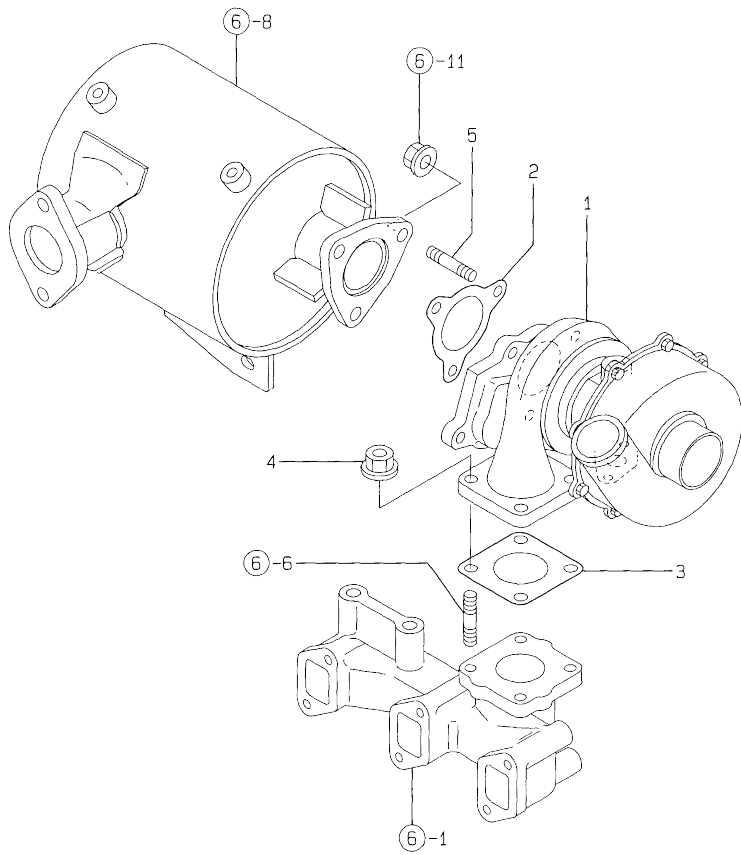


No.	Lev.	Parts No.	Description	Q'ty						I	R
				(A)	(B)	(C)	(D)	(E)	(F)		
1	1	129103-13110	MANIFOLD, EXHAUST	1							
2	1	129150-13110	GASKET	1							
3	1	26106-080502	BOLT, M8X 50 PLATED	2							
4	1	26106-080602	BOLT, M8X 60 PLATED	3							
5	1	26106-080652	BOLT, M8X 65 PLATED	1							
6	1	26216-080222	STUD, M8X 22	4							
7	1	129165-13480	SILENCER ASSY	1							
8	2	129165-13500	SILENCER	1							
9	2	129165-13530	COVER, SILENCER	1							
10	2	26014-080122	BOLT, M8X 12	4							
11	1	194990-22050	NUT, M8	3							
12	1	121130-13541	GASKET, SILENCER	1							

OCV10-M51600

Fig.8. TURBINE

8. TURBINE

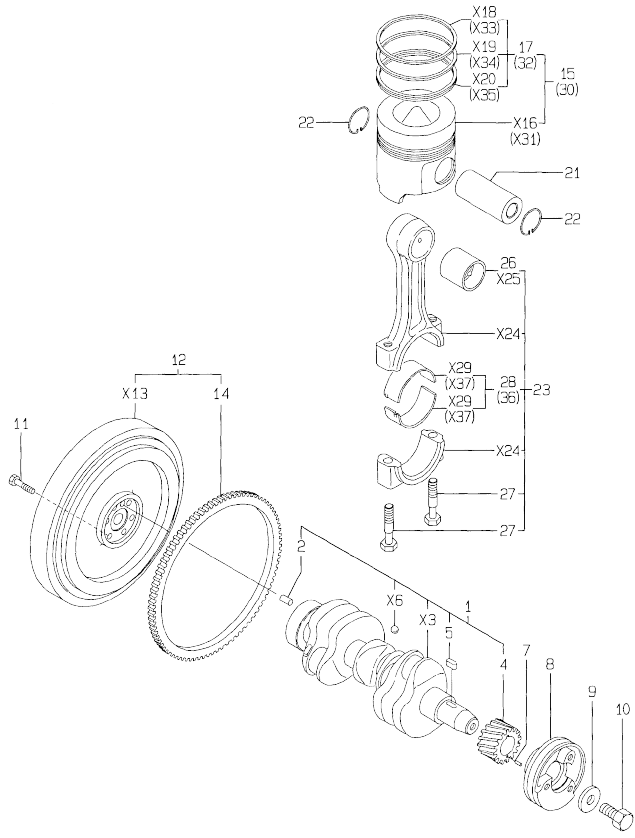


No.	Lev.	Parts No.	Description	Q'ty					
				(A)	(B)	(C)	(D)	(E)	(F)
1	1	129165-18010	TURBINE, RHB51	1					
2	1	129412-18080	GASKET	1					
3	1	129322-18100	GASKET	1					
4	1	194990-22050	NUT, M8	4					
5	1	26216-080222	STUD, M8X 22	3					

OCV10-M51600

Fig.9. CRANKSHAFT & PISTON

9.CRANKSHAFT & PISTON



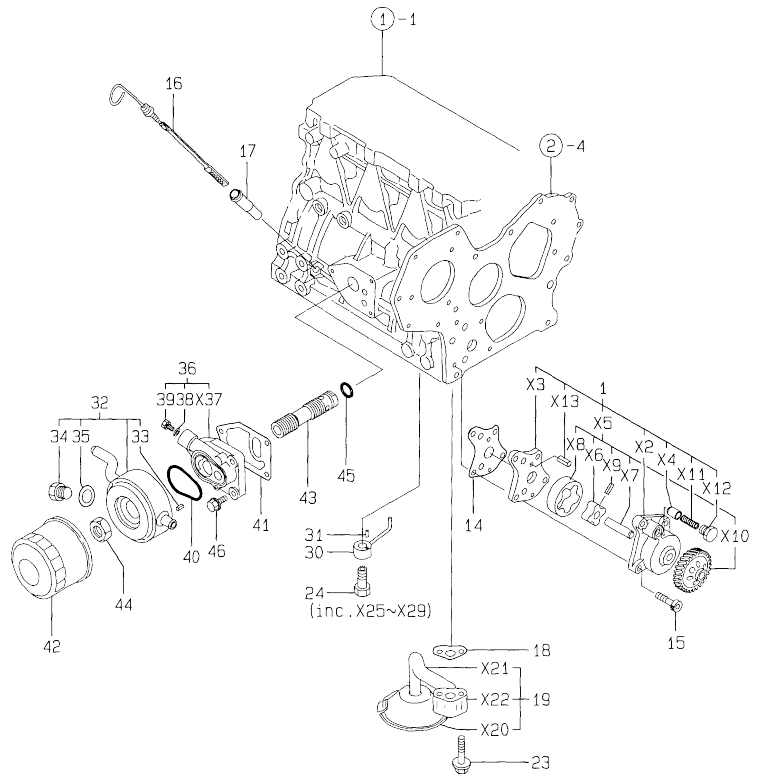
Remarks
 (1) REPAIR PART.
 (2) OVER-SIZE(O.S=0.25)PART.
 (3) UNDER-SIZE(U.S=0.25)PART.
 (M) MISPRINT.

No.	Lev.	Parts No.	Description	Q'ty						I	R
				(A)	(B)	(C)	(D)	(E)	(F)		
1	1	129001-21000	CRANKSHAFT ASSY	1							
2	2	129100-01580	PIN, M8X16	1							
4	2	129150-21200	GEAR, CRANKSHAFT	1							
5	2	22512-070140	KEY, 7X 14	1							
7	1	22351-040010	PIN, SPRING 4.0X10	1							
8	1	171430-21650	V-PULLEY	1							M
8-1	1	171340-21650	V-PULLEY	1							
9	1	129795-21661	WASHER	1							
10	1	121850-21680	BOLT	1							
11	1	121111-21501	BOLT, FLYWHEEL	6							
12	1	171340-21580	FLYWHEEL ASSY	1							
14	2	119865-21600	GEAR, RING	1							
15	1	129002-22090	PISTON ASSY	3							
17	2	129002-22510	RING SET, PISTON	3							
21	1	129202-22300	PIN, PISTON D26 L70	3							
22	1	22252-000260	RING, 26	6							
23	1	729402-23100	ROD ASSY, CONNECTING	3							
26	2	129100-23910	BEARING, PISTON PIN	3							1
27	2	121550-23200	BOLT, CONNECTING ROD	6							
28	2	129150-23600	BEARING, CRANK PIN	3							
30	1	129002-22910	PISTON ASSY, 0.25 OS	3							2
32	2	129002-22960	RING SET, 0.25 OS	3							2
36	1	129150-23610	BEARING, 0.25 US	3							3

OCV10-M51600

Fig.10. LUB.OIL SYSTEM

10.LUB.OIL SYSTEM

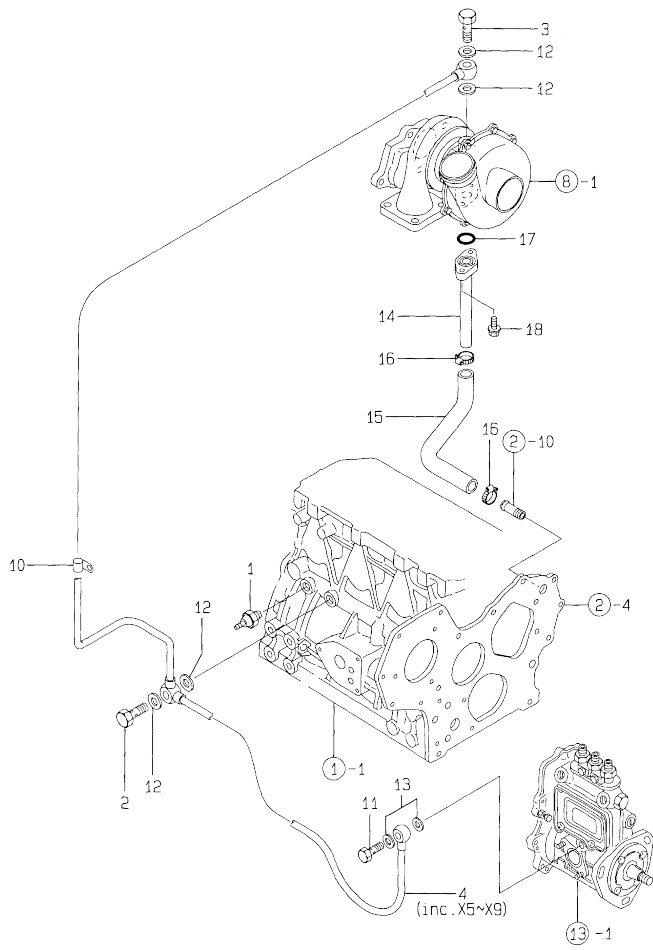


No.	Lev.	Parts No.	Description	Q'ty						I	R
				(A)	(B)	(C)	(D)	(E)	(F)		
1	1	129418-32000	PUMP ASSY, OIL	1							
14	1	129150-32020	GASKET, PUMP	1							
15	1	26450-060252	BOLT, M6X 25	4							
16	1	171420-34800	DIPSTICK, OIL	1							
17	1	121520-34810	GUIDE, DIPSTICK	1							
18	1	129150-35041	GASKET	1							
19	1	129150-35091	PIPE ASSY, OIL INLET	1							
23	1	26106-080352	BOLT, M8X 35 PLATED	2							
24	1	129792-39410	VALVE ASSY, CHECK	3							
30	1	129553-39650	NOZZLE	3							
31	1	22351-030010	PIN, SPRING 3.0X10	3							
32	1	129012-33000	COOLER ASSY, OIL	1							
33	2	129120-33040	PIN	2							
34	2	129120-33051	PLUG, DRAIN	1							
35	2	129120-33060	GASKET	1							
36	1	129120-35001	BRACKET ASSY	1							
38	2	23414-100000	GASKET, 10X1.0	1							
39	2	23881-100002	PLUG, 10	1							
40	1	129120-35110	GASKET	1							
41	1	129120-35121	GASKET	1							
42	1	129150-35151	FILTER, D80XL80	1							
43	1	129407-35300	BOLT, FILTER	1							
44	1	129150-35350	NUT	1							
45	1	24311-000160	O-RING, 1AP16.0	1							
46	1	26106-080252	BOLT, M8X 25 PLATED	3							

N:Old $\frac{100}{100}$ New, Q:Old $\frac{100}{100}$ New, R:Old $\frac{100}{100}$ New, S:Old $\frac{100}{100}$ New, W:Add, Z:Discontinued, F:Interchangeable by set, K:Q'ty Change
 Copyright (C) YANMAR CO., LTD. All Rights Reserved.

Fig.11. LUB.OIL LINE

11.LUB.OIL LINE



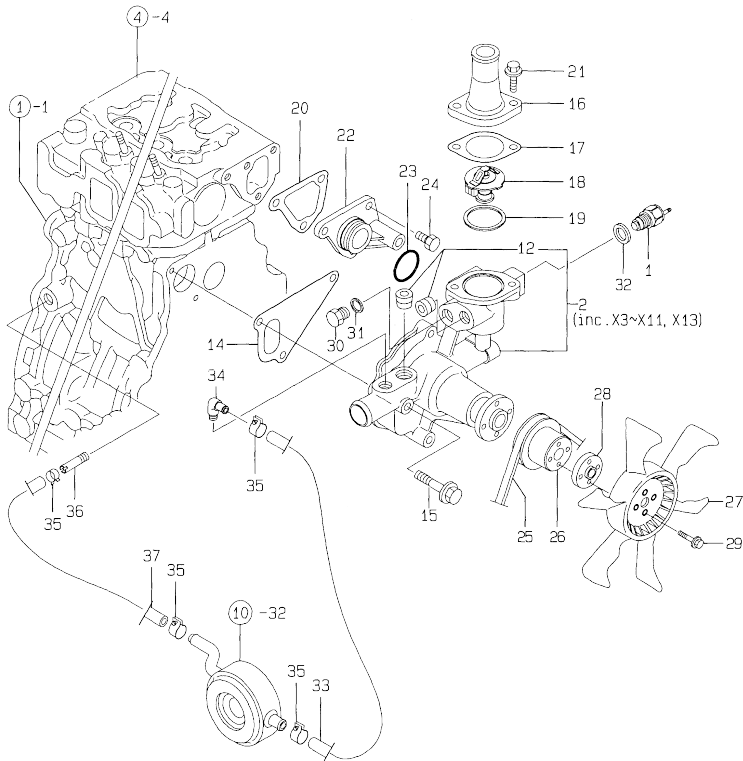
No.	Lev.	Parts No.	Description	Q'ty					
				(A)	(B)	(C)	(D)	(E)	(F)
1	1	124160-39450	SWITCH, 0.5KG	1					
2	1	124160-39140	BOLT, PIPE JOINT M10	1					
3	1	121252-39150	BOLT, JOINT M10X1.5	1					
4	1	129103-39451	PIPE ASSY, OIL	1					
10	1	124223-39900	RETAINER	1					
11	1	124550-59820	BOLT, PIPE JOINT M8	1					
12	1	23414-100000	GASKET, 10X1.0	4					
13	1	22190-080002	WASHER, SEAL 6	2					
14	1	129103-39600	PIPE, OIL	1					
15	1	129103-39611	JOINT, PIPE	1					
16	1	23000-022000	CLAMP, 22	2					
17	1	24314-000160	O-RING, 4CP16.0	1					
18	1	26106-060162	BOLT, M6X 16 PLATED	2					

N:Old $\frac{New}{Old}$ New, Q:Old $\frac{New}{Old}$ New, R:Old $\frac{New}{Old}$ New, S:Old $\frac{New}{Old}$ New, W:Add, Z:Discontinued, F:Interchangeable by set, K:Q'ty Change
 Copyright (C) YANMAR CO., LTD. All Rights Reserved.

OCV10-M51600

Fig.12. COOLING WATER SYSTEM

12. COOLING WATER SYSTEM

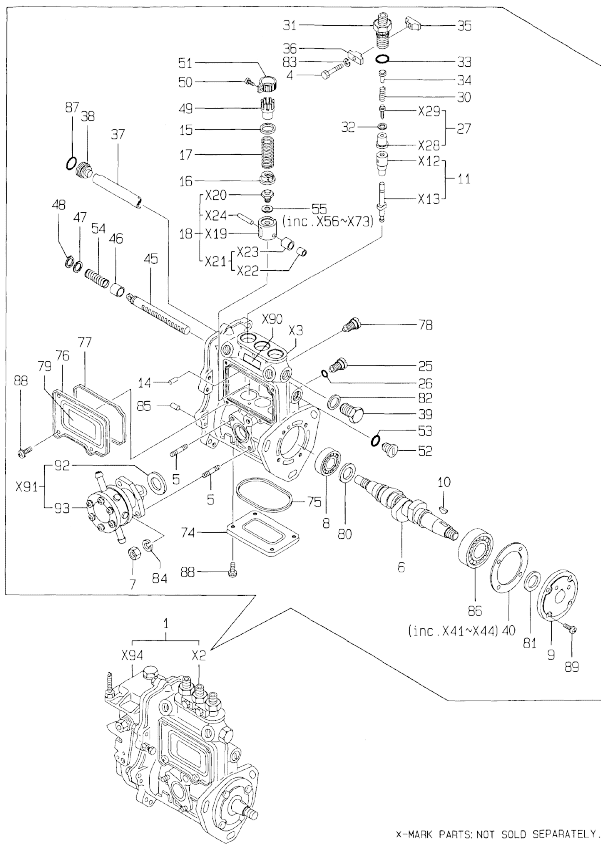


No.	Lev.	Parts No.	Description	Q'ty						I	R
				(A)	(B)	(C)	(D)	(E)	(F)		
1	1	121250-44901	SWITCH, 110	1							
2	1	129001-42002	PUMP ASSY, WATER	1							
12	2	23871-030000	PLUG, R03	2							
14	1	129100-42020	GASKET, WATER PUMP	1							
15	1	26106-080602	BOLT, M8X 60 PLATED	3							
16	1	129350-49560	COVER, THERMOSTAT	1							
17	1	129795-49551	GASKET	1							
18	1	129155-49800	THERMOSTAT, 71	1							
19	1	129150-49811	GASKET, THERMOSTAT	1							
20	1	129100-49840	GASKET	1							
21	1	26106-080202	BOLT, M8X 20 PLATED	2							
22	1	129001-42040	JOINT	1							
23	1	24321-000300	O-RING, 1AG30.0	1							
24	1	26106-080162	BOLT, M8X 16 PLATED	3							
25	1	25132-003800	V-BELT, A38	1							
26	1	129403-42380	V-PULLEY, D=110	1							
27	1	171340-44740	FAN, COOLING D335XNF	1							
28	1	124574-44761	SPACER, FAN	1							
29	1	26014-060252	BOLT, M6X 25	4							
30	1	121450-42450	PLUG, M16	1							
31	1	124465-44950	GASKET, 16	1							
32	1	124465-44950	GASKET, 16	1							
33	1	129403-49050	PIPE, WATER	1							
34	1	129103-49301	ELBOW, PT1/4	1							
35	1	23000-022000	CLAMP, 22	4							
36	1	129122-44480	JOINT	1							
37	1	129012-49030	HOSE, WATER	1							

N:Old $\frac{100}{100}$ New, Q:Old $\frac{100}{100}$ New, R:Old $\frac{100}{100}$ New, S:Old $\frac{100}{100}$ New, W:Add, Z:Discontinued, F:Interchangeable by set, K:Q'ty Change
 Copyright (C) YANMAR CO., LTD. All Rights Reserved.

Fig.13. FUEL INJECTION PUMP

13. FUEL INJECTION PUMP

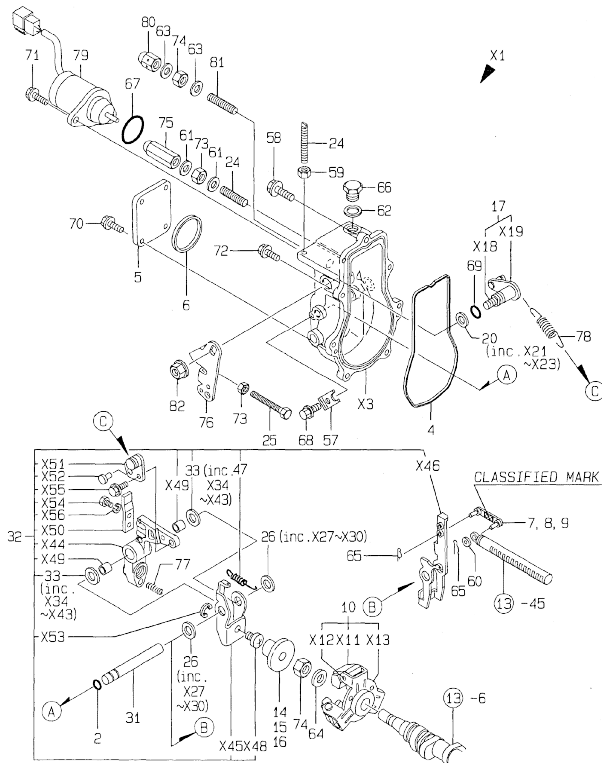


No.	Lev.	Parts No.	Description	Q'ty						I	R
				(A)	(B)	(C)	(D)	(E)	(F)		
1	1	729080-51360	PUMP ASSY, INJECTION	1							1
4	3	26116-050302	BOLT, MSX 30 PLATED	2							
5	3	129155-51020	STUD	2							
6	3	119810-51040	CAMSHAFT	1							
7	3	26716-060002	NUT, M6	2							
8	3	129155-51050	BEARING, 17BM001D	1							
9	3	129155-51060	SUPPORT, CAMSHAFT	1							
10	3	122710-51090	KEY	1							
11	3	129470-51101	PLUNGER ASSY	3							
14	3	129155-51140	PIN	3							
15	3	174307-51170	RETAINER, SPRING A	3							
16	3	129155-51180	RETAINER, SPRING	3							
17	3	124950-51190	SPRING, PLUNGER	3							
18	3	129155-51200	TAPPET ASSY	3							
25	3	129155-51270	STOPPER, TAPPET	3							
26	3	129155-51280	O-RING, S6	3							
27	3	105300-51300	VALVE ASSY, DELIVERY	3							
30	3	129155-51320	SPRING, DELIVERY	3							
31	3	129155-51340	RETAINER	3							
32	3	124550-51350	GASKET, DELIVERY	3							
33	3	124550-51370	O-RING	3							
34	3	129155-51370	STOPPER, VALVE	3							
35	3	129155-51380	STOPPER	2							
36	3	129155-51390	STOPPER	2							
37	3	129155-51400	DEFLECTOR	1							
38	3	129155-51410	BOLT	1							
39	3	129155-51420	PLUG, M16	1							
40	3	129155-51450	SHIM SET, ADJUSTING	1							
45	3	129155-51500	RACK, CONTROL	1							
46	3	129155-51521	BUSH, RACK	1							
47	3	129155-51530	SPACER	1							
48	3	129155-51540	CIRCLIP	1							
49	3	129155-51550	PINION, CONTROL	3							
50	3	122117-51560	SCREW	3							
51	3	174307-51560	PINION	3							
52	3	129155-51570	PLUG, M12	1							
53	3	129155-51580	O-RING	1							
54	3	129155-51591	SPRING, RACK	1							
55	3	129155-51600	SHIM SET, ADJUSTING	3							
74	3	129155-51700	COVER	1							
75	3	129155-51710	GASKET	1							
76	3	129155-51750	COVER	1							
77	3	129155-51760	GASKET	1							
78	3	129155-51790	STOOPER, RACK	1							
79	3	129156-51910	LABEL, CAUTION	1							
80	3	129155-51930	SPACER, T=3.25	1							
81	3	129155-51940	SPACER, T=1.5	1							
82	3	22190-160002	WASHER, SEAL 16	1							
83	3	22217-050000	WASHER, SPRING 5	2							
84	3	22217-060000	WASHER, SPRING 6	2							
85	3	22351-050010	PIN, SPRING 5.0X10	2							

Remarks
 (1) GOVERNOR (FIG. 14) IS INCORPORATED
 IN THIS FUEL INJECTION PUMP.
 (REF. NO. 1).

Fig.14. GOVERNOR

14. GOVERNOR



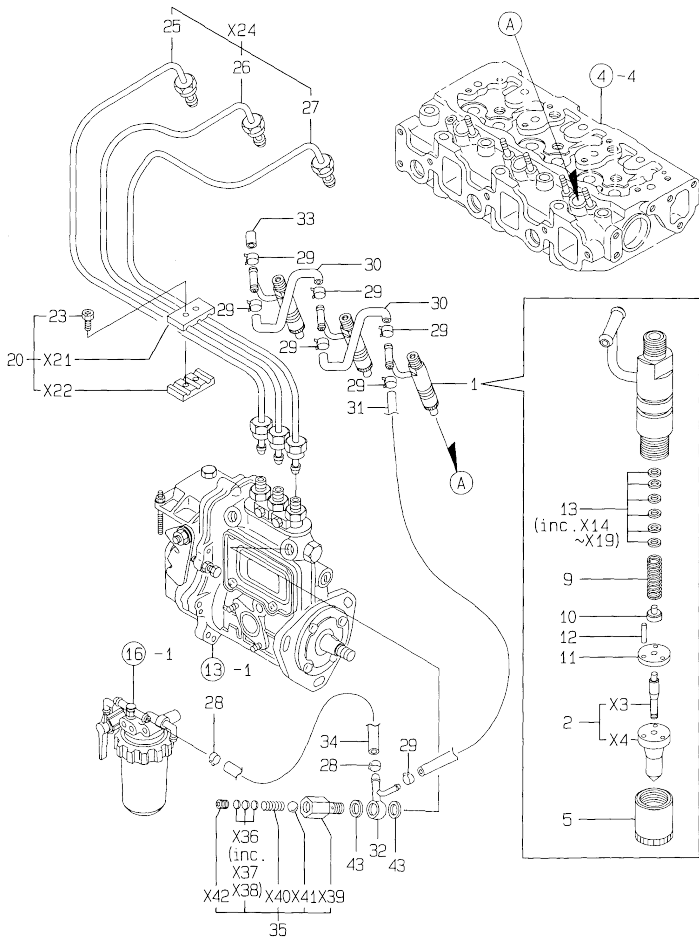
Remarks

- (1) SELECTIVE PARTS: CERTAIN THE CLASSIFICATION MARK, THEN PLACE YOUR ORDER.(REFER TO ILLUSTRATION).
- (2) SELECTIVE PARTS:
* THIS FIGURE(GOVERNOR ASSY)IS INCORPORATED IN THE FUEL INJECTION PUMP ASSY(FIG.13).

No.	Lev.	Parts No.	Description	Q'ty						I	R
				(A)	(B)	(C)	(D)	(E)	(F)		
2	3	129155-51280	O-RING, S6	1							
4	3	129052-61050	GASKET	1							
5	3	129052-61060	COVER, GOVERNOR CASE	1							
6	3	129052-61070	GASKET	1							
7	3	129155-61120	LINK, L=30 MARK 0	1							1
8	3	129155-61130	LINK, L=31 MARK 1	1							1
9	3	129155-61140	LINK, L=30.5 MARK 05	1							1
10	3	129155-61201	WEIGHT ASSY,GOVERNOR	1							
14	3	129155-61341	SLEEVE	1							2
15	3	129155-61350	SLEEVE, L=24.9	1							2
16	3	129155-61360	SLEEVE, L=25.2	1							2
17	3	129100-61400	SHAFT ASSY	1							
20	3	129155-61430	SPACER	1							
24	3	129155-61450	BOLT, LIMITER	2							
25	3	129155-61460	BOLT, IDLE	1							
26	3	129155-61480	SPACER ASSY	2							
31	3	129052-61390	SHAFT	1							
32	3	129052-61500	LEVER ASSY, GOVERNOR	1							
33	4	174307-51700	SHIM SET	2							
47	4	129052-61540	SPRING, SET	1							
57	3	119660-61901	RETAINER, SHAFT	1							
58	3	129155-61950	BOLT	1							
59	3	124550-66370	NUT, M6	1							
60	3	22117-040000	WASHER, 4	1							
61	3	22190-060002	WASHER, SEAL 6	2							
62	3	22190-100002	WASHER, SEAL 10	1							
63	3	22190-120002	WASHER, SEAL 12	2							
64	3	22287-120000	WASHER, 12	1							
65	3	22372-040000	PIN, SNAP 4	2							
66	3	23887-100002	PLUG, 10	1							
67	3	24341-000280	O-RING, 1AS28.0	1							
67-1	3	158552-61900	O-RING	1							N
(A=EXXXXX)											
68	3	26106-060102	BOLT, M6X 10 PLATED	1							
69	3	129155-61830	O-RING, S10	1							
70	3	26106-060102	BOLT, M6X 10 PLATED	4							
71	3	26106-060142	BOLT, M6X 14 PLATED	2							
72	3	26106-060202	BOLT, M6X 20 PLATED	6							
73	3	26756-060002	NUT, LOCK M6	2							
74	3	26776-120002	NUT, LOCK M12	2							
75	3	119600-66840	NUT, CAP	1							
76	2	129100-61440	LEVER, CONTROL	1							
77	2	129100-61650	SPRING, CONTROLLER	1							
78	2	171353-61700	SPRING, GOVERNOR	1							
79	2	119653-77950	SOLENOID, STOP	1							
80	2	26687-120002	NUT, CAP M12	1							
81	2	129155-61470	BOLT, CONTROL	1							
82	2	26366-080002	NUT, M8	1							

Fig.15. FUEL INJECTION VALVE

15.FUEL INJECTION VALVE

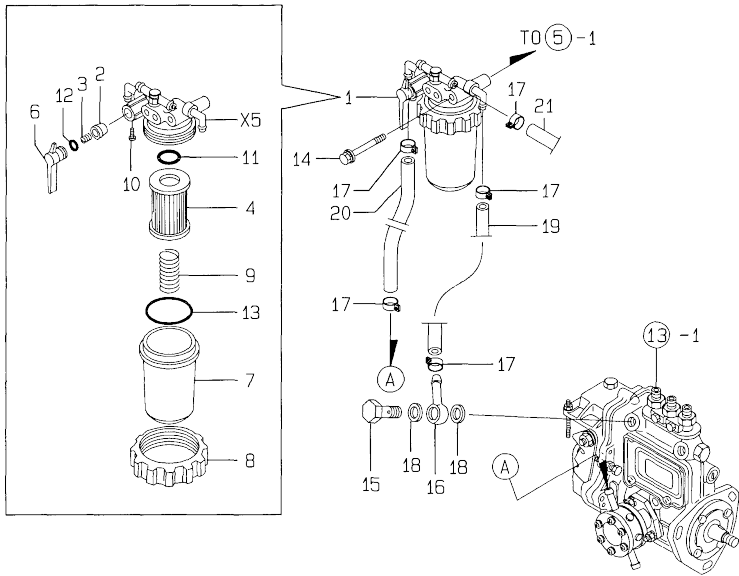


No.	Lev.	Parts No.	Description	Q'ty						I	R
				(A)	(B)	(C)	(D)	(E)	(F)		
1	1	729137-53200	VALVE ASSY,INJECTION	3							
2	2	129503-53050	VALVE ASSY,INJECTION	3							
5	2	114250-53080	NUT, NOZZLE D16.95	3							
9	2	114250-53120	SPRING, NOZZLE	3							
10	2	114250-53130	SEAT, SPRING	3							
11	2	114250-53140	PLATE	3							
12	2	114250-53210	PIN	6							
13	2	114250-53400	SHIM SET	3							
20	1	129150-59120	RETAINER, PIPE	1							
23	2	129150-59131	BOLT, M4X14	2							
25	2	129100-59912	PIPE ASSY, INJECTION	1							
26	2	129100-59922	PIPE ASSY, INJECTION	1							
27	2	129100-59932	PIPE ASSY, INJECTION	1							
28	1	124766-59050	CLIP, HOSE 12	2							
29	1	124066-59100	CLIP, HOSE 8	7							
30	1	121250-59550	PIPE, FUEL D8X120	2							
31	1	119840-59560	PIPE, FUEL RETURN	1							
32	1	119840-59570	JOINT	1							
33	1	129150-59580	CAP	1							
34	1	105025-59750	PIPE, FUEL	1							
35	1	129100-59951	VALVE ASSY, CHECK	1							
43	1	23414-120000	GASKET, 12X1.0	2							

OCV10-M51600

Fig.16. FUEL LINE

16.FUEL LINE

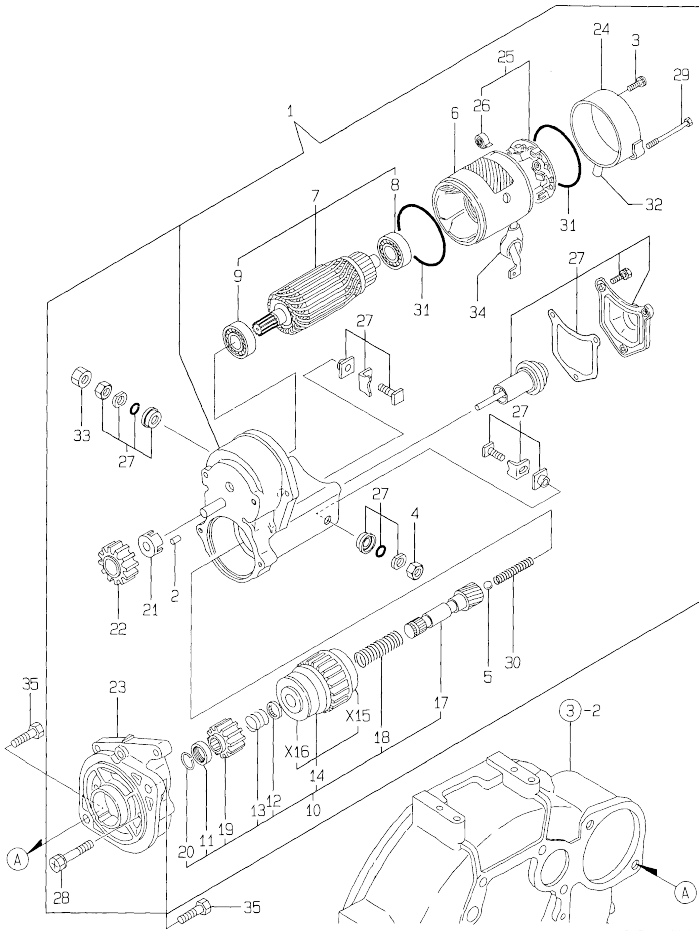


No.	Lev.	Parts No.	Description	Q'ty						I	R
				(A)	(B)	(C)	(D)	(E)	(F)		
1	1	129052-55620	FILTER ASSY, FUEL	1							
2	2	104200-55321	VALVE, TAPER	1							
3	2	104200-55330	SPRING, VALVE	1							
4	2	129100-55650	ELEMENT	1							
6	2	129100-55670	LEVER	1							
7	2	129100-55680	CUP, STRAINER	1							
8	2	129100-55690	RING, RETAINING	1							
9	2	129100-55700	SPRING	1							
10	2	104200-55750	SCREW, M4	1							
11	2	24311-000160	O-RING, 1AP16.0	1							
12	2	24311-240100	O-RING, 1AP10A	1							
13	2	24321-000650	O-RING, 1AG65.0	1							
14	1	26014-080702	BOLT, M8X 70	1							
15	1	103854-39140	BOLT, PIPE JOINT	1							
16	1	101304-59020	JOINT, PIPE 12	1							
17	1	124766-59050	CLIP, HOSE 12	6							
18	1	22190-120002	WASHER, SEAL 12	2							
19	1	129555-59510	PIPE, D13/7.5X180	1							
20	1	105025-59530	PIPE, FUEL D13X400	1							
21	1	105025-59750	PIPE, FUEL	1							

N:Old $\frac{New}{Old}$ New, Q:Old $\frac{New}{Old}$ New, R:Old $\frac{New}{Old}$ New, S:Old $\frac{New}{Old}$ New, W:Add, Z:Discontinued, F:Interchangeable by set, K:Q'ty Change
 Copyright (C) YANMAR CO., LTD. All Rights Reserved.

Fig.17. STARTING MOTOR

17. STARTING MOTOR

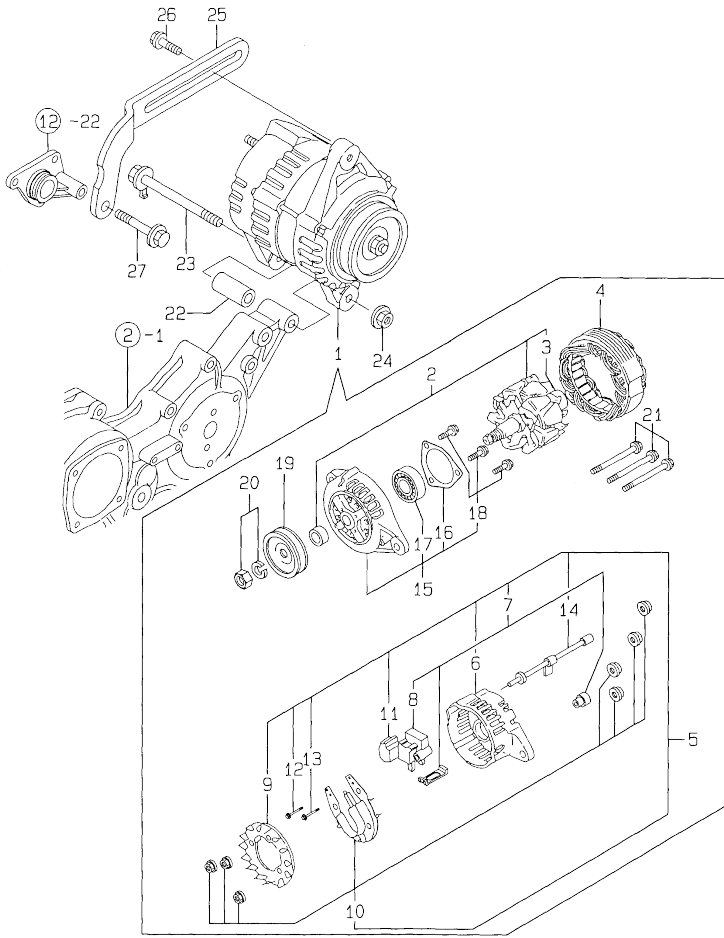


No.	Lev.	Parts No.	Description	Q'ty					
				(A)	(B)	(C)	(D)	(E)	(F)
1	1	129129-77010	STARTER ASSY	1					
2	2	X0283060061	ROLLER	5					
3	2	129129-77460	SCREW	2					
4	2	X9490561370	NUT	1					
5	2	X9491200240	BALL	1					
6	2	129129-77210	YOKE ASSY	1					
7	2	129129-77220	ARMATURE ASSY	1					
8	3	129129-77230	BEARING	1					
9	3	129129-77240	BEARING	1					
10	2	129129-77250	STARTER	1					
11	3	X0280210230	NUT	1					
12	3	X0283270140	RETAINER	1					
13	3	X9491703371	SPRING, COIL	1					
14	3	129129-77390	CLUTCH ASSY, STARTER	1					
17	3	129129-77400	SHAFT	1					
18	3	129129-77410	SPRING, COIL	1					
19	3	129129-77420	PINION	1					
20	3	129129-77430	RING	1					
21	2	129129-77260	RETAINER	1					
22	2	129129-77270	PINION	1					
23	2	129129-77280	HOUSING	1					
24	2	129129-77290	FRAME	1					
25	2	129129-77300	HOLDER ASSY	1					
26	3	X9491730461	SPRING	4					
27	2	129129-77310	SWITCH ASSY	1					
28	2	129129-77320	BOLT	2					
29	2	129129-77330	BOLT	2					
30	2	129129-77340	SPRING	1					
31	2	129129-77350	O-RING	2					
32	2	129129-77362	COVER	1					
33	2	129129-77370	NUT	1					
34	2	129129-77380	CAP	1					
35	1	26116-120252	BOLT, M12X 25 PLATED	2					

N:Old $\frac{100}{100}$ New. Q:Old $\frac{100}{100}$ New. R:Old $\frac{100}{100}$ New. S:Old $\frac{100}{100}$ New. W:Add. Z:Discontinued. F:Interchangeable by set. K:Qty Change
 Copyright (C) YANMAR CO., LTD. All Rights Reserved.

Fig.18. GENERATOR

18. GENERATOR

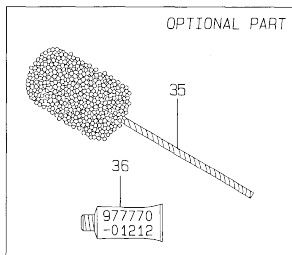
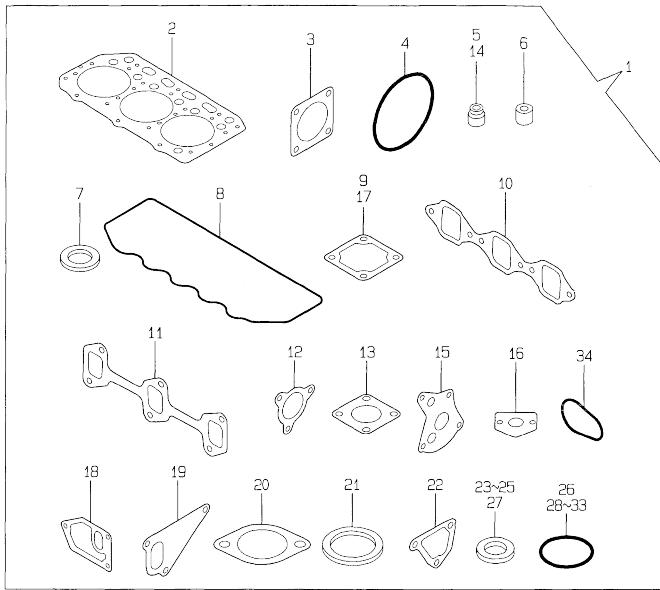


No.	Lev.	Parts No.	Description	Q'ty						I	R
				(A)	(B)	(C)	(D)	(E)	(F)		
1	1	119836-77200	GENERATOR	1							
2	2	119836-77700	ROTOR ASSY	1							
3	3	119836-77850	BALL BEARING	1							
4	2	119836-77710	STATOR ASSY	1							
5	2	119836-77721	COVER ASSY, REAR	1							
6	3	119836-77730	COVER, REAR	1							
7	3	119836-77741	BRUSH ASSY,REGULATOR	1							
8	4	119836-77750	BRUSH ASSY	1							
9	3	119836-77760	GUIDE, FAN SIDE	1							
10	3	119836-77770	DIODE ASSY	1							
11	3	119836-77780	CONDENSER	1							
12	3	119836-77871	BOLT (1)	1							
13	3	119836-77880	BOLT (2)	1							
14	3	119836-77890	WIRE ASSY, LEAD	1							
15	2	119836-77790	COVER ASSY, FRONT	1							
16	3	119836-77800	RETAINER, BEARING	1							
17	3	119836-77840	BALL BEARING	1							
18	3	119836-77860	SCREW KID	1							
19	2	119836-77810	PULLEY	1							
20	2	119836-77820	NUT ASSY, PULLEY	1							
21	2	119836-77830	BOLT, THROUGH	1							
22	1	119820-77340	PIECE, DISTANCE	1							
23	1	129136-77250	BOLT M 8X105	1							
24	1	26366-080002	NUT, M8	1							
25	1	129100-77330	ADJUSTER	1							
26	1	26014-080252	BOLT, M8X 25	1							
27	1	26106-080502	BOLT, M8X 50 PLATED	1							

N:Old $\frac{100}{100}$ New, Q:Old $\frac{100}{100}$ New, R:Old $\frac{100}{100}$ New, S:Old $\frac{100}{100}$ New, W:Add, Z:Discontinued, F:Interchangeable by set, K:Q'ty Change
 Copyright (C) YANMAR CO., LTD. All Rights Reserved.

Fig.19. GASKET SET

19. GASKET SET



Remarks
(1) OPTIONAL PART.

No.	Lev.	Parts No.	Description	Q'ty						I	R
				(A)	(B)	(C)	(D)	(E)	(F)		
1	1	729002-92860	GASKET SET	1							1
2	2	129002-01331	GASKET, HEAD	1							
3	2	124240-01883	GASKET	1							
4	2	121850-51960	O-RING	1							
5	2	124460-11340	SEAL, VALVE STEM	3							
6	2	119625-11871	PROTECTOR, NOZZLE	3							
7	2	119625-11880	SEAT, NOZZLE	3							
8	2	129150-11310	GASKET, BONNET	1							
9	2	129150-77511	GASKET	1							
10	2	129150-12111	GASKET, MANIFOLD	1							
11	2	129150-13110	GASKET	1							
12	2	129412-18080	GASKET	1							
13	2	129322-18100	GASKET	1							
14	2	121400-11340	SEAL, VALVE STEM	3							
15	2	129150-32020	GASKET, PUMP	1							
16	2	129150-35041	GASKET	1							
17	2	129100-77510	GASKET, AIR HEATER	1							
18	2	129120-35121	GASKET	1							
19	2	129100-42020	GASKET, WATER PUMP	1							
20	2	129795-49551	GASKET	1							
21	2	129150-49811	GASKET, THERMOSTAT	1							
22	2	129100-49840	GASKET	1							
23	2	129155-52050	GASKET	1							
24	2	23414-120000	GASKET, 12X1.0	2							
25	2	23414-100000	GASKET, 10X1.0	4							
26	2	24311-000120	O-RING, 1AP12.0	3							
27	2	124465-44950	GASKET, 16	2							
28	2	24311-000160	O-RING, 1AP16.0	3							
29	2	24311-000320	O-RING, 1AP32.0	2							
30	2	24341-000240	O-RING, 1AS24.0	1							
31	2	24341-000500	O-RING, 1AS50.0	1							
32	2	24321-000300	O-RING, 1AG30.0	1							
33	2	24314-000160	O-RING, 4CP16.0	1							
34	2	129120-35110	GASKET	1							
35	1	129400-92420	FLEX HORN	1							1
36	1	977770-01212	GASKET, LIQUID	1							1

Parts No. Index

Parts No.	Fig. No.	Ref. No.	Parts No.	Fig. No.	Ref. No.	Parts No.	Fig. No.	Ref. No.	Parts No.	Fig. No.	Ref. No.
101304-59020	16	16	119865-21600	9	14	129002-22090	9	15	129120-33040	10	33
103854-39140	16	15	120130-11860	4	8	129002-22510	9	17	129120-33051	10	34
104200-55321	16	2	121023-01550	2	22	129002-22910	9	30	129120-33060	10	35
104200-55330	16	3	121111-21501	9	11	129002-22960	9	32	129120-35001	10	36
104200-55750	16	10	121130-13541	6	12	129012-33000	10	32	129120-35110	10	40
105025-59530	16	20	121250-44901	12	1	129012-49030	12	37		19	34
105025-59750	15	34	121250-59550	15	30	129052-55620	16	1	129120-35121	10	41
	16	21	121252-39150	11	3	129052-61050	14	4		19	18
105300-51300	13	27	121400-11340	4	24	129052-61060	14	5	129122-44480	2	10
114250-53080	15	5		19	14	129052-61070	14	6		12	36
114250-53120	15	9	121450-01560	2	5	129052-61390	14	31	129129-14580	7	3
114250-53130	15	10	121450-42450	12	30	129052-61500	14	32	129129-77010	17	1
114250-53140	15	11	121520-34810	10	17	129052-61540	14	47	129129-77210	17	6
114250-53210	15	12	121550-23200	9	27	129100-01580	3	1	129129-77220	17	7
114250-53400	15	13	121850-21680	9	10			14	129129-77230	17	8
119600-66840	14	75	121850-51960	2	11		9	2	129129-77240	17	9
119620-01750	3	3		19	4	129100-01640	3	15	129129-77250	17	10
119625-11871	4	41	122117-51560	13	50	129100-01730	3	6	129129-77260	17	21
	19	6	122710-51090	13	10	129100-11100	4	19	129129-77270	17	22
119625-11880	4	42	124066-59100	15	29	129100-11130	4	21	129129-77280	17	23
	19	7	124160-01751	2	6	129100-11350	4	46	129129-77290	17	24
119625-11900	4	43		4	58	129100-23910	9	26	129129-77300	17	25
119640-01640	3	8	124160-01910	1	5	129100-25061	7	8	129129-77310	17	27
119653-77950	14	79	124160-11360	4	56	129100-42020	12	14	129129-77320	17	28
119660-61901	14	57	124160-39140	11	2		19	19	129129-77330	17	29
119810-51040	13	6	124160-39450	11	1	129100-49840	12	20	129129-77340	17	30
119820-77340	18	22	124223-39900	11	10		19	22	129129-77350	17	31
119836-77200	18	1	124240-01871	2	7	129100-52100	13	93	129129-77362	17	32
119836-77700	18	2	124240-01883	2	8	129100-55650	16	4	129129-77370	17	33
119836-77710	18	4		19	3	129100-55670	16	6	129129-77380	17	34
119836-77721	18	5	124460-11340	4	25	129100-55680	16	7	129129-77390	17	14
119836-77730	18	6		19	5	129100-55690	16	8	129129-77400	17	17
119836-77741	18	7	124465-44950	12	31	129100-55700	16	9	129129-77410	17	18
119836-77750	18	8			32	129100-59912	15	25	129129-77420	17	19
119836-77760	18	9		19	27	129100-59922	15	26	129129-77430	17	20
119836-77770	18	10	124550-51350	13	32	129100-59932	15	27	129129-77460	17	3
119836-77780	18	11	124550-51370	13	33	129100-59951	15	35	129136-77250	18	23
119836-77790	18	15	124550-59820	11	11	129100-61400	14	17	129150-01200	1	20
119836-77800	18	16	124550-66370	14	59	129100-61440	14	76	129150-02020	1	7
119836-77810	18	19	124574-44761	12	28	129100-61650	14	77	129150-02450	7	4
119836-77820	18	20	124736-07900	4	2	129100-77330	18	25	129150-02870	1	25
119836-77830	18	21	124766-59050	15	28	129100-77500	5	4	129150-02930	1	17
119836-77840	18	17		16	17	129100-77510	5	5	129150-02940	1	22
119836-77850	18	3	124950-51190	13	17		19	17	129150-03020	4	48
119836-77860	18	18	129001-02800	1	14	129103-01530	2	4	129150-03070	4	49
119836-77871	18	12	129001-21000	9	1	129103-13110	6	1	129150-03080	4	50
119836-77880	18	13	129001-42002	12	2	129103-39451	11	4	129150-03100	2	25
119836-77890	18	14	129001-42040	12	22	129103-39600	11	14	129150-11230	4	37
119840-59560	15	31	129002-01331	1	21	129103-39611	11	15	129150-11280	4	32
119840-59570	15	32		19	2	129103-49301	12	34	129150-11290	4	33

Parts No. Index

Parts No.	Fig. No.	Ref. No.
129150-11310	4	52
	19	8
129150-11370	4	26
129150-11750	4	39
129150-11810	4	10
129150-12100	5	1
129150-12111	5	2
	19	10
129150-13110	6	2
	19	11
129150-14101	7	6
129150-14200	7	1
129150-14400	7	2
129150-21200	9	4
129150-23600	9	28
129150-23610	9	36
129150-25101	7	9
129150-25900	7	14
129150-25920	7	12
129150-32020	10	14
	19	15
129150-35041	10	18
	19	16
129150-35091	10	19
129150-35151	10	42
129150-35350	10	44
129150-49811	12	19
	19	21
129150-59120	15	20
129150-59131	15	23
129150-59580	15	33
129150-77511	5	6
	19	9
129155-11241	4	29
129155-11260	4	30
129155-11270	4	31
129155-49800	12	18
129155-51020	13	5
129155-51050	13	8
129155-51060	13	9
129155-51140	13	14
129155-51180	13	16
129155-51200	13	18
129155-51270	13	25
129155-51280	13	26
	14	2
129155-51320	13	30
129155-51340	13	31
129155-51370	13	34
129155-51380	13	35

Parts No.	Fig. No.	Ref. No.
129155-51390	13	36
129155-51400	13	37
129155-51410	13	38
129155-51420	13	39
129155-51450	13	40
129155-51500	13	45
129155-51521	13	46
129155-51530	13	47
129155-51540	13	48
129155-51550	13	49
129155-51570	13	52
129155-51580	13	53
129155-51591	13	54
129155-51600	13	55
129155-51700	13	74
129155-51710	13	75
129155-51750	13	76
129155-51760	13	77
129155-51790	13	78
129155-51930	13	80
129155-51940	13	81
129155-52050	13	92
	19	23
129155-61120	14	7
129155-61130	14	8
129155-61140	14	9
129155-61201	14	10
129155-61341	14	14
129155-61350	14	15
129155-61360	14	16
129155-61430	14	20
129155-61450	14	24
129155-61460	14	25
129155-61470	14	81
129155-61480	14	26
129155-61830	14	69
129155-61950	14	58
129156-51910	13	79
129165-13480	6	7
129165-13500	6	8
129165-13530	6	9
129165-18010	8	1
129165-77520	5	7
129202-22300	9	21
129258-12080	5	9
129322-18100	8	3
	19	13
129350-49560	12	16
129400-92420	19	35
129403-42380	12	26

Parts No.	Fig. No.	Ref. No.
129403-49050	12	33
129407-35300	10	43
129412-18080	8	2
	19	12
129418-32000	10	1
129470-11080	4	17
129470-11090	4	18
129470-51101	13	11
129486-01670	3	18
129503-53050	15	2
129553-39650	10	30
129555-59510	16	19
129612-01600	3	2
129792-39410	10	24
129795-01780	3	17
129795-01800	2	3
129795-01950	2	9
129795-02411	1	4
129795-11120	4	20
129795-11180	4	22
129795-21661	9	9
129795-49551	12	17
	19	20
158552-61900	14	67 -1
171051-01921	1	6
171340-21580	9	12
171340-21650	9	8 -1
171340-44740	12	27
171350-03090	4	1
171353-61700	14	78
171420-34800	10	16
171430-21650	9	8
174307-51170	13	15
174307-51560	13	51
174307-51700	14	33
194990-22050	6	11
	8	4
22117-040000	14	60
22190-060002	14	61
22190-080002	2	21
	11	13
22190-100002	14	62
22190-120002	14	63
	16	18
22190-160002	13	82
22190-220002	3	10
22217-050000	13	83
22217-060000	13	84
22217-120000	7	15
22252-000260	9	22

Parts No.	Fig. No.	Ref. No.
22287-120000	14	64
22351-030010	10	31
22351-040010	9	7
22351-050010	13	85
22351-060012	4	27
22372-040000	14	65
22512-070140	7	7
	9	5
23000-022000	11	16
	12	35
23000-054000	5	10
23414-100000	10	38
	11	12
	19	25
23414-120000	15	43
	19	24
23871-010000	1	10
23871-020000	4	12
23871-030000	4	13
	12	12
23881-100002	10	39
23887-100002	14	66
24101-063034	13	86
24311-000120	4	57
	19	26
24311-000160	2	12
	10	45
	16	11
	19	28
24311-000320	2	13
	4	59
	19	29
24311-240100	16	12
24314-000160	11	17
	19	33
24321-000300	12	23
	19	32
24321-000650	16	13
24341-000160	13	87
24341-000240	2	23
	19	30
24341-000280	14	67
24341-000500	4	54
	19	31
25132-003800	12	25
26014-060252	12	29
26014-080122	6	10
26014-080252	18	26
26014-080702	16	14
26022-050102	13	88

Parts No. Index

Parts No.	Fig. No.	Ref. No.
26022-060162	13	89
26106-060102	14	68
		70
26106-060122	2	24
26106-060142	14	71
26106-060162	11	18
26106-060202	14	72
26106-080122	2	14
26106-080142	4	3
	7	17
26106-080162	2	15
	3	11
	4	55
	12	24
26106-080202	2	16
	12	21
26106-080252	3	12
	4	44
	5	3
	10	46
26106-080352	3	19
	10	23
26106-080402	5	8
26106-080452	2	17
	3	13
	13	-1
	7	13
26106-080502	3	21
	4	45
	6	3
	18	27
26106-080552	2	18
26106-080602	6	4
	12	15
26106-080652	6	5
26106-080852	2	19
26116-050302	13	4
26116-120252	17	35
26206-100252	3	4
26206-100302	3	5
26216-060202	4	14
26216-080222	6	6
	8	5
26226-080182	4	40
26366-060002	4	28
26366-080002	2	20
	14	82
	18	24
26450-060252	10	15
26687-120002	14	80

Parts No.	Fig. No.	Ref. No.
26716-060002	13	7
26716-120002	7	16
26756-060002	14	73
26776-120002	14	74
27231-500000	1	11
27241-120000	1	12
27241-220000	4	15
27241-300000	1	13
27241-400000	4	16
27310-080000	4	23
719810-01500	2	1
729002-92660	19	1
729012-01560	1	1
729080-51360	13	1
729102-01540	3	7
729137-53200	15	1
729202-11710	4	4
729402-11650	4	36
729402-23100	9	23
977770-01212	2	26
	3	20
	19	36
X0280210230	17	11
X0283060061	17	2
X0283270140	17	12
X9490561370	17	4
X9491200240	17	5
X9491703371	17	13
X9491730461	17	26

Parts No.	Fig. No.	Ref. No.
-----------	----------	----------

Parts No.	Fig. No.	Ref. No.
-----------	----------	----------