

0CD50-M06170EN

P R E F A C E

This parts catalog is the 1st edition of 3TNV80FT-ZMPF for Palfinger.

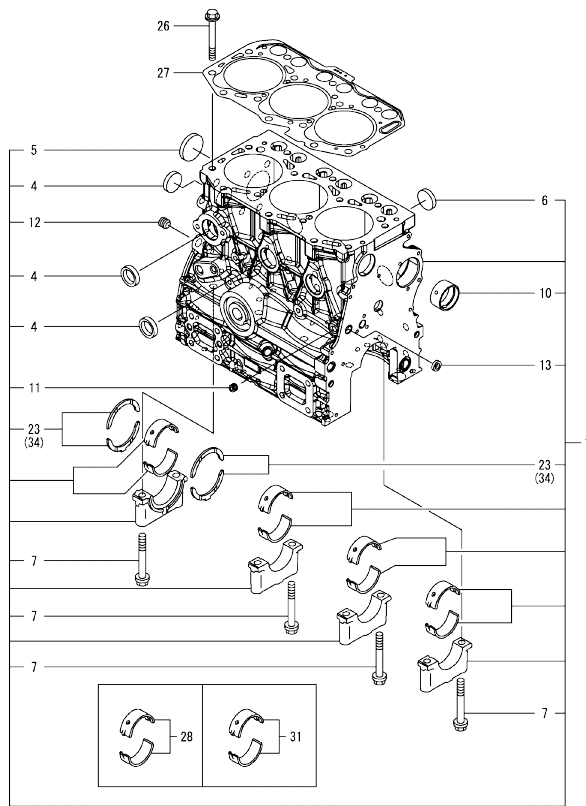
Published : May, 2020

Contents

0CD50-M06170

Fig. No.	Fig. Name	Fig. No.	Fig. Name
ENGINE			
1.	CYLINDER BLOCK		
2.	GEAR HOUSING		
3.	FLYWHEEL HOUSING & OIL SUMP		
4.	CYLINDER HEAD & BONNET		
5.	SUCTION MANIFOLD		
6.	EXHAUST MANIFOLD		
7.	CAMSHAFT & DRIVING GEAR		
8.	TURBINE		
9.	CRANKSHAFT & PISTON		
10.	LUB. OIL SYSTEM		
11.	LUB. OIL PIPE		
12.	COOLING WATER SYSTEM		
13.	FUEL INJECTION PUMP		
14.	GOVERNOR		
15.	FUEL INJECTION VALVE		
16.	FUEL PIPE		
17.	STARTER MOTOR		
18.	GENERATOR		
19.	ELECTRONIC CONTROL UNIT(ECU)		
20.	ACCESSORY		

Fig.1. CYLINDER BLOCK



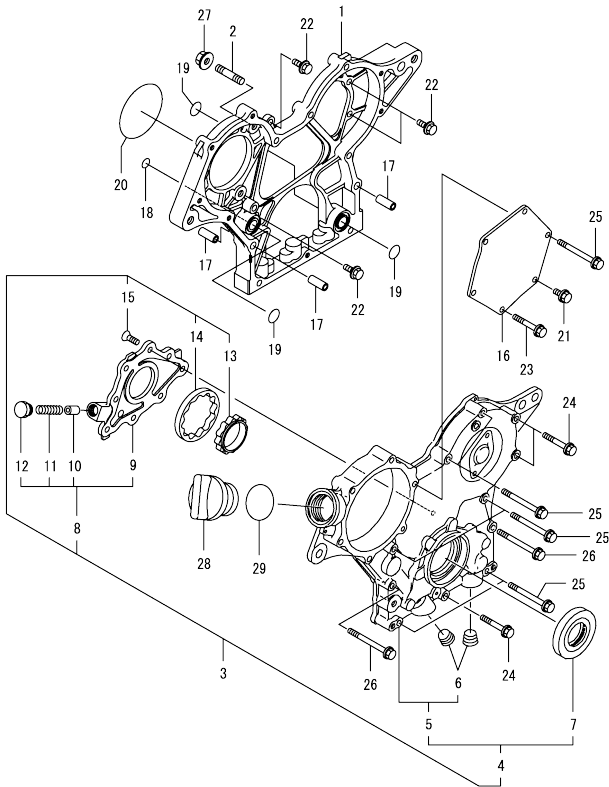
(A)=3TNV80FT-ZMPF
(B)=
(C)=

(D)=
(E)=
(F)=

No.	Lev.	Parts No.	Description	Q'ty						I	R
				(A)	(B)	(C)	(D)	(E)	(F)		
1	1	119E11-01150	BLOCK ASSY, CYLINDER	1							
4	2	105311-01090	PLUG, 30	4							
5	2	119623-01250	PLUG, 45	1							
6	2	119285-01990	PLUG, 25	3							
7	2	119620-02020	BOLT, METAL CAP	8							
10	2	119717-02411	BUSH, CAMSHAFT	1							
11	2	124060-01050	PLUG, PT1/8	1							
12	2	124160-01910	PLUG, PT1/4	1							
13	2	27241-120000	PLUG, 12	1							
23	2	119717-02930	METAL ASSY, THRUST	2							
26	1	119810-01200	BOLT, CYLINDER HEAD	14							
27	1	119E10-01330	GASKET SET, HEAD	1							
28	1	719717-02901	METAL ASSY, MAIN	4							1
31	1	719717-02911	METAL ASSY, MAIN .25	4							2
34	1	119810-02941	METAL ASSY, 0.25 OS	2							3

Remarks
 (1)Spare parts.
 (2)Under-sized(U.S.=0.25) parts.
 (3)Over-sized(O.S.=0.25) parts.

Fig.2. GEAR HOUSING



(A)=3TNV80FT-ZMPF
(B)=
(C)=

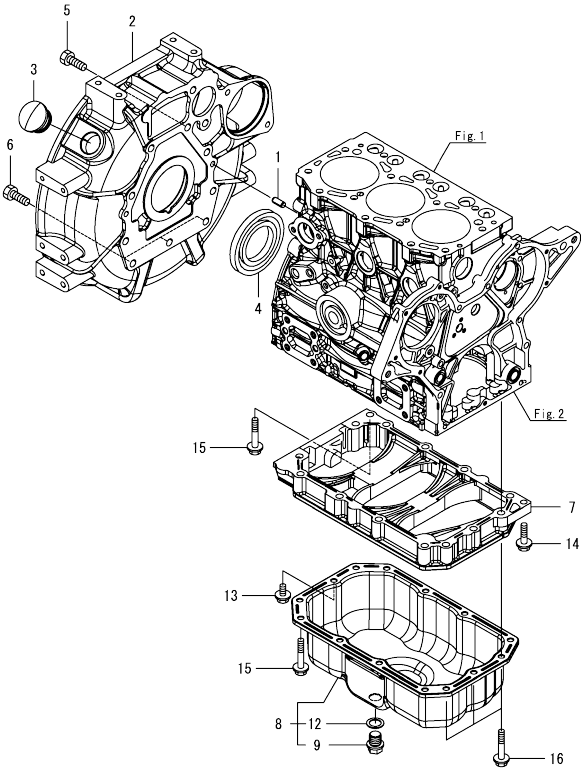
(D)=
(E)=
(F)=

No.	Lev.	Parts No.	Description	Qty						I	R
				(A)	(B)	(C)	(D)	(E)	(F)		
1	1	119717-01501	CASE, GEAR	1							
2	1	119717-01570	STUD	3							
3	1	119734-01590	COVER ASSY, CASE	1							
4	2	719734-01500	COVER ASSY, CASE	1							
5	3	119717-01521	COVER, GEAR CASE	1							
6	4	23876-030000	PLUG, R03	2							
7	3	119717-01800	SEAL, OIL	1							
8	2	119717-32100	COVER ASSY, PUMP	1							
9	3	119717-32080	COVER, OIL PUMP	1							
10	3	129900-32130	VALVE, RELIEF	1							
11	3	129001-32320	SPRING	1							
12	3	129001-32330	PLUG	1							
13	2	119717-32110	ROTOR, INNER	1							
14	2	119717-32120	ROTOR, OUTER	1							
15	2	119802-32130	SCREW, M6X16	8							
16	1	119717-01750	COVER, PUMP	1							
17	1	119660-01911	PIPE, KNOCK 6X17	4							
18	1	119624-32040	O-RING, P12.0	1							
19	1	119717-32050	O-RING, P17.0	3							
20	1	121850-51960	O-RING, FUEL PUMP	1							
21	1	26106-060122	BOLT, M6X 12 PLATED	1							
22	1	26106-060162	BOLT, M6X 16 PLATED	4							
23	1	26106-060402	BOLT, M6X 40 PLATED	4							
24	1	26106-060402	BOLT, M6X 40 PLATED	3							
25	1	26106-060602	BOLT, M6X 60 PLATED	7							
26	1	26106-060652	BOLT, M6X 65 PLATED	2							
27	1	26306-080002	NUT, M8	3							
28	1	124160-01751	CAP, FILLER	1							
29	1	24311-000320	O-RING, 1AP32.0	1							

Fig.3. FLYWHEEL HOUSING & OIL SUMP

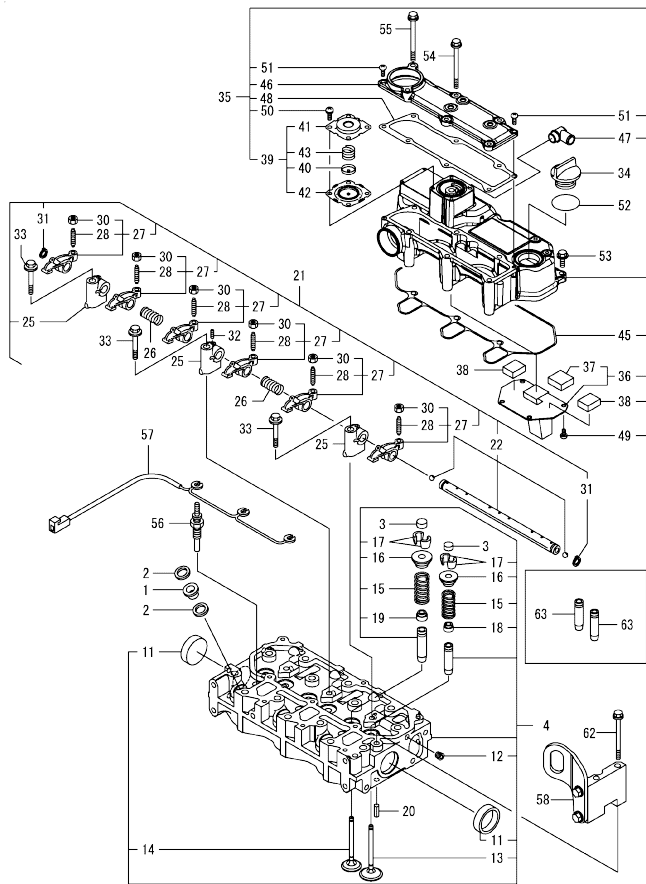
(A)=3TNV80FT-ZMPF
(B)=
(C)=

(D)=
(E)=
(F)=



No.	Lev.	Parts No.	Description	Q'ty					
				(A)	(B)	(C)	(D)	(E)	(F)
1	1	129100-01580	PIN, PARALLEL 8X16	2					
2	1	119717-01601	HOUSING, FLYWHEEL	1					
3	1	119620-01750	CAP, WHEEL COVER	1					
4	1	119734-02220	SEAL, OIL WHEEL SIDE	1					
5	1	26206-100252	BOLT, M10X 25 PLATED	8					
6	1	26206-100302	BOLT, M10X 30 PLATED	3					
7	1	119717-01720	SPACER, OIL PAN	1					
8	1	119740-01770	OIL PAN ASSY	1					
9	2	105425-01690	PLUG, DRAIN M16	1					
12	1	22190-160002	WASHER, SEAL 16	1					
13	1	26106-080122	BOLT, M8X 12 PLATED	1					
14	1	26106-080302	BOLT, M8X 30 PLATED	11					
15	1	26106-080452	BOLT, M8X 45 PLATED	3					
16	1	26106-080502	BOLT, M8X 50 PLATED	3					

Fig.4. CYLINDER HEAD & BONNET



(A)=3TNV80FT-ZMPF
(B)=
(C)=

(D)=
(E)=
(F)=

No.	Lev.	Parts No.	Description	(A)	(B)	(C)	(D)	(E)	(F)	I	R
1	1	129901-11450	PROTECTOR, NOZZLE	3							
2	1	119600-11460	GASKET, NOZZLE	6							
3	1	105010-11490	CAP, VALVE	6							
4	1	119E11-11740	HEAD ASSY, CYLINDER	1							
11	2	119285-11990	PLUG, 35	2							
12	2	23876-005000	PLUG, R005	1							
13	2	119E10-11100	VALVE, INTAKE	3							
14	2	119E10-11110	VALVE, EXHAUST	3							
15	2	119717-11131	SPRING, VALVE	6							
16	2	129508-11180	RETAINER, SPRING	6							
17	2	119717-11190	COTTER, VALVE	12							
18	2	119717-11340	SEAL, VALVE STEM	3							
19	2	119717-11350	SEAL, VALVE STEM	3							
20	1	22351-060012	PIN, SPRING 6.0X12	2							
21	1	119717-11200	SUPPORT ASSY, ROCKER	1							
22	2	119717-11240	SHAFT ASSY, ARM	1							
25	2	119717-11260	SUPPORT, ROCKER ARM	3							
26	2	119620-11280	SPRING, SHAFT	2							
27	2	119717-11650	ARM ASSY, ROCKER INT	6							
28	3	129150-11230	SCREW, VALVE ADJUST	6							
30	3	129150-11750	NUT, M8XP1.0	6							
31	2	22242-000120	RING, 12	2							
32	2	119260-11270	SCREW, M5X16	1							
33	1	26106-080402	BOLT, M8X 40 PLATED	3							
34	1	124160-01751	CAP, FILLER	1							
35	1	119E11-11390	BONNET ASSY	1							
36	2	119717-03031	PLATE, BAFFLE	1							
37	3	119717-03070	BAFFLE, BREATHER	1							
38	2	119717-03070	BAFFLE, BREATHER	2							
39	2	119802-03100	DIAPHRAGM ASSY	1							
40	3	119802-03110	PLATE, DIAPHRAGM	1							
41	3	119802-03121	COVER, DIAPHRAGM	1							
42	3	119802-03131	DIAPHRAGM, BREATHER	1							
43	3	119802-03141	SPRING, DIAPHRAGM	1							
45	2	119718-11310	GASKET, BONNET	1							
46	2	119E11-11320	COVER ASSY, BONNET	1							
47	2	119100-11330	ELBOW, BREATHER	1							
48	2	119717-11331	GASKET, BONNET COVER	1							
49	2	22857-500100	SCREW, 5X10	4							
50	2	22857-500100	SCREW, 5X10	4							
51	2	22857-500160	SCREW, 5X16	2							
52	1	24311-000320	O-RING, 1AP32.0	1							
53	1	26106-060202	BOLT, M6X 20 PLATED	3							
54	1	26106-060752	BOLT, M6X 75 PLATED	4							
55	1	26106-060852	BOLT, M6X 85 PLATED	2							
56	1	119717-77801	PLUG, GLOW	3							
57	1	119717-77820	CONNECTOR, GLOW PLUG	1							
58	1	119E33-07920	LIFTER ASSY	1							
62	1	26106-080752	BOLT, M8X 75 PLATED	2							
63	1	119717-11800	GUIDE, VALVE	6							1

Remarks
(1)Spare parts.

Fig.5. SUCTION MANIFOLD

(A)=3TNV80FT-ZMPF
(B)=
(C)=

(D)=
(E)=
(F)=

No.	Lev.	Parts No.	Description	Q'ty					
				(A)	(B)	(C)	(D)	(E)	(F)
1	1	119E33-12010	HOSE, AIR INTAKE	1					
2	1	23000-048000	CLAMP, 48	1					
3	1	23000-054000	CLAMP, 54	1					
4	1	119E33-03000	HOSE ASSY, BREATHER	1					
5	2	119E33-03010	HOSE, BREATHER	1					
6	2	129410-03990	CLAMP, HOSE 21.5	2					
7	1	119E11-03050	JOINT,BREATHER	1					
8	1	119E33-12070	HOSE, AIR INTAKE	1					
9	1	23000-054000	CLAMP, 54	2					

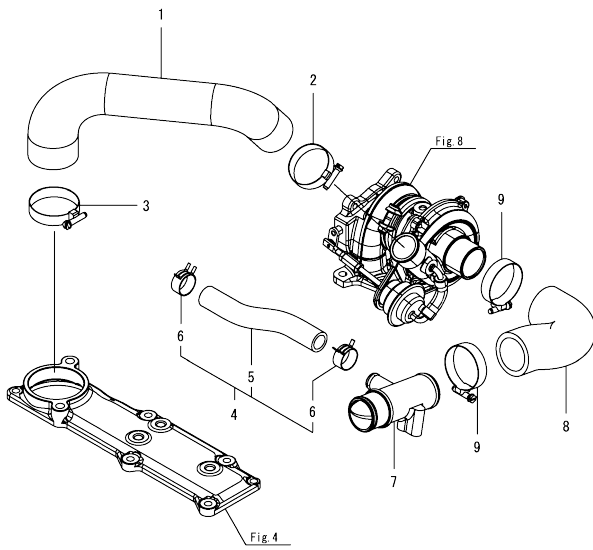
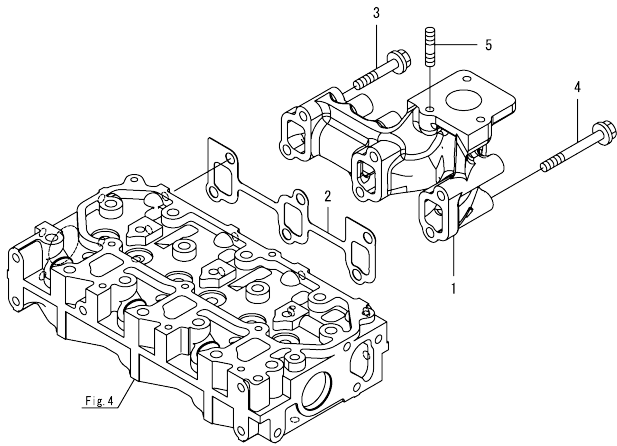


Fig.6. EXHAUST MANIFOLD

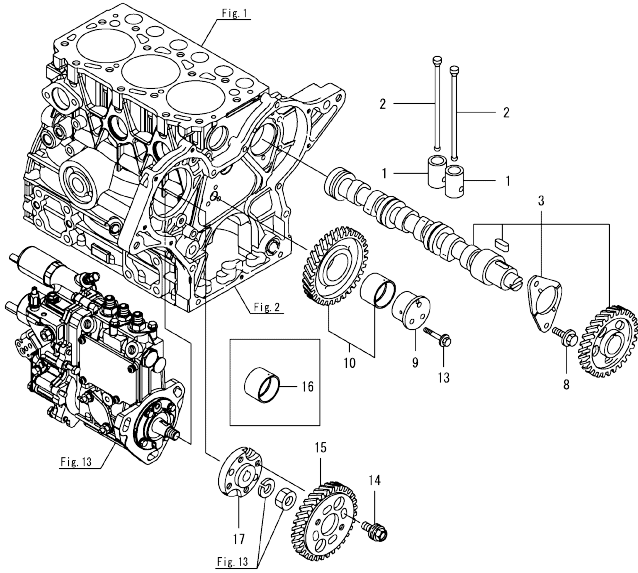


(A)=3TNV80FT-ZMPF
(B)=
(C)=

(D)=
(E)=
(F)=

No.	Lev.	Parts No.	Description	Q'ty					
				(A)	(B)	(C)	(D)	(E)	(F)
1	1	119E11-13100	MANIFOLD, EXHAUST	1					
2	1	119717-13110	GASKET, MANIFOLD	1					
3	1	129E00-13610	BOLT, M8X50 10.9	3					
4	1	119802-13661	BOLT, M8X75 10.9T	3					
5	1	129418-18320	STUD, M8X20	3					

Fig.7. CAMSHAFT & DRIVING GEAR



(A)=3TNV80FT-ZMPF
(B)=
(C)=

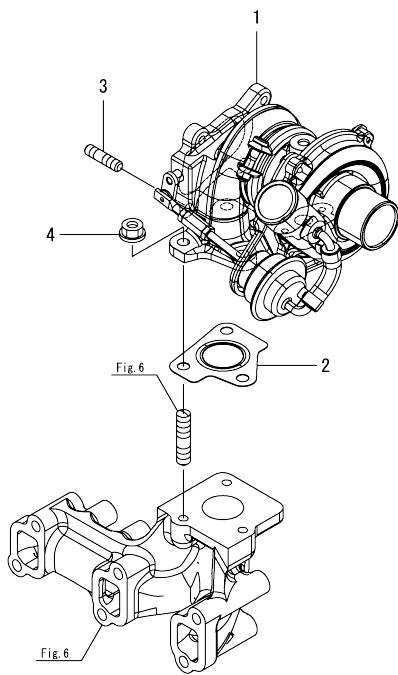
(D)=
(E)=
(F)=

No.	Lev.	Parts No.	Description	Q'ty						I	R
				(A)	(B)	(C)	(D)	(E)	(F)		
1	1	119620-14200	TAPPET	6							
2	1	119717-14400	ROD, PUSH	6							
3	1	119717-14581	CAMSHAFT ASSY	1							
8	1	26106-060122	BOLT, M6X 12 PLATED	2							
9	1	119717-25050	SHAFT, IDLE GEAR	1							
10	1	119717-25101	GEAR ASSY, IDLE	1							
13	1	26106-060352	BOLT, M6X 35 PLATED	3							
14	1	129150-25301	BOLT, INJECTION PUMP	4							
15	1	119717-25930	GEAR, PUMP	1							
16	1	119717-25911	BUSH, IDLE GEAR	1							1
17	1	119717-51150	FLANGE, CAMSHAFT	1							

Remarks
(1)Spare parts.

OCD50-M06170 ENGINE
 Fig.8. TURBINE

OCD50-M06170 Fig.8



(A)=3TNV80FT-ZMPF
 (B)=
 (C)=

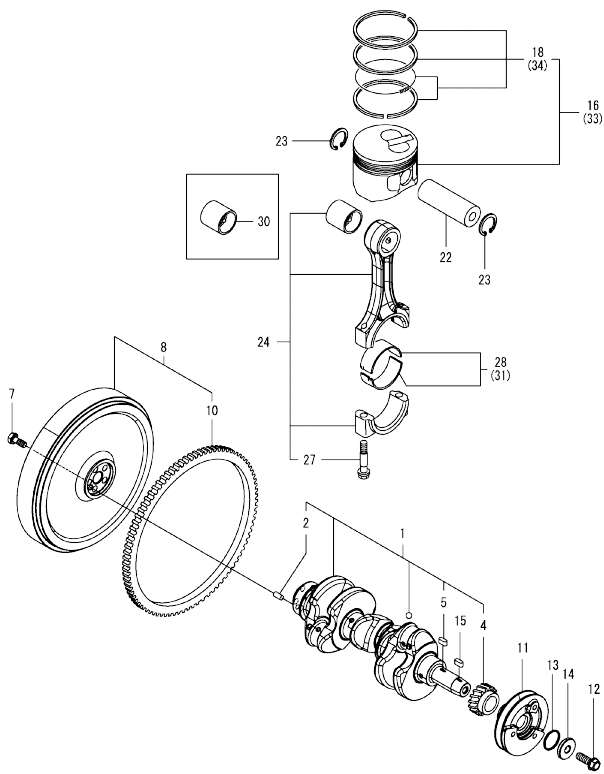
(D)=
 (E)=
 (F)=

No.	Lev.	Parts No.	Description	Q'ty					
				(A)	(B)	(C)	(D)	(E)	(F)
1	1	129A01-18011	TURBOCHARGER, RHF3	1					
2	1	129A01-18080	GASKET, TURBINE IN	1					
3	1	119131-18320	STUD, M8X22	4					
4	1	26306-080002	NUT, M8	3					

Fig.9. CRANKSHAFT & PISTON

(A)=3TNV80FT-ZMPF
(B)=
(C)=

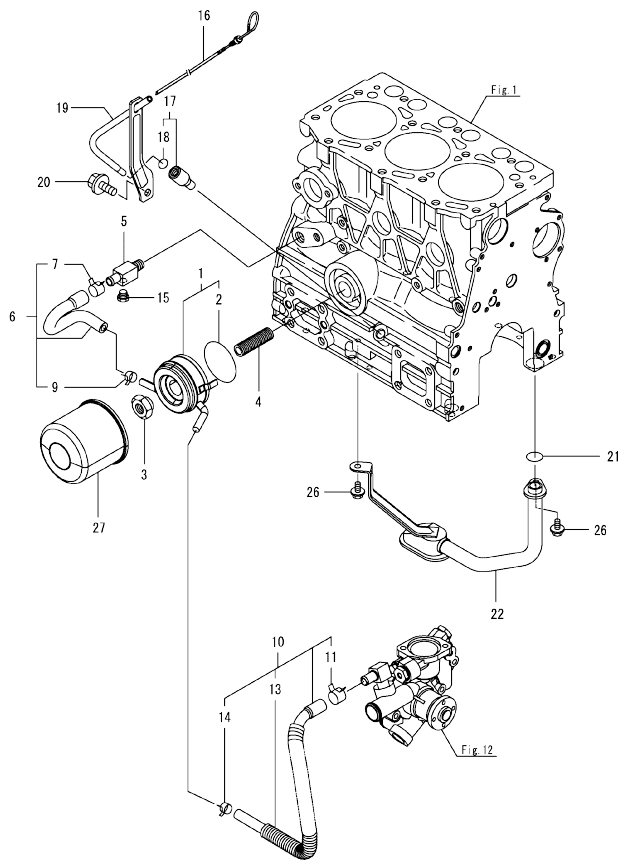
(D)=
(E)=
(F)=



No.	Lev.	Parts No.	Description	Q'ty						I	R
				(A)	(B)	(C)	(D)	(E)	(F)		
1	1	119E10-21700	CRANKSHAFT ASSY	1							
2	2	129100-01580	PIN, PARALLEL 8X16	1							
4	2	119717-21200	GEAR, CRANKSHAFT	1							
5	2	22512-040120	KEY, 4X 12	1							
7	1	121111-21501	BOLT, FLYWHEEL	5							
8	1	119E00-21580	FLYWHEEL ASSY	1							
10	2	119865-21600	GEAR, RING Z=116	1							
11	1	119C10-21650	V-PULLEY, CRANKSHAFT	1							
12	1	119621-21681	BOLT, FLANGE 12X1.25	1							
13	1	119C10-21931	PACKING, WASHER	1							
14	1	119C10-21940	WASHER, V-PULLEY	1							
15	1	22512-040120	KEY, 4X 12	1							
16	1	119E11-22080	PISTON ASSY	3							
18	2	119E10-22500	RING SET, PISTON	3							
22	1	119E10-22300	PIN, PISTON	3							
23	1	22252-000220	RING, 22	6							
24	1	119E10-23001	ROD ASSY, CONNECTING	3							
27	2	119717-23200	BOLT, CONNECTING ROD	6							
28	1	119717-23601	METAL ASSY, CRANK PIN	3							
30	1	119717-23911	BUSH, PISTON PIN	3							1
31	1	119717-23611	METAL ASSY, PIN .25	3							2
33	1	119E11-22900	PISTON ASSY, 0.25 OS	3							3
34	2	119E10-22550	RING SET, PISTON .25	3							3

Remarks
(1) Spare parts.
(2) Under-sized (U.S.=0.25) parts.
(3) Over-sized (O.S.=0.25) parts.

Fig.10. LUB. OIL SYSTEM



(A)=3TNV80FT-ZMPF
(B)=
(C)=

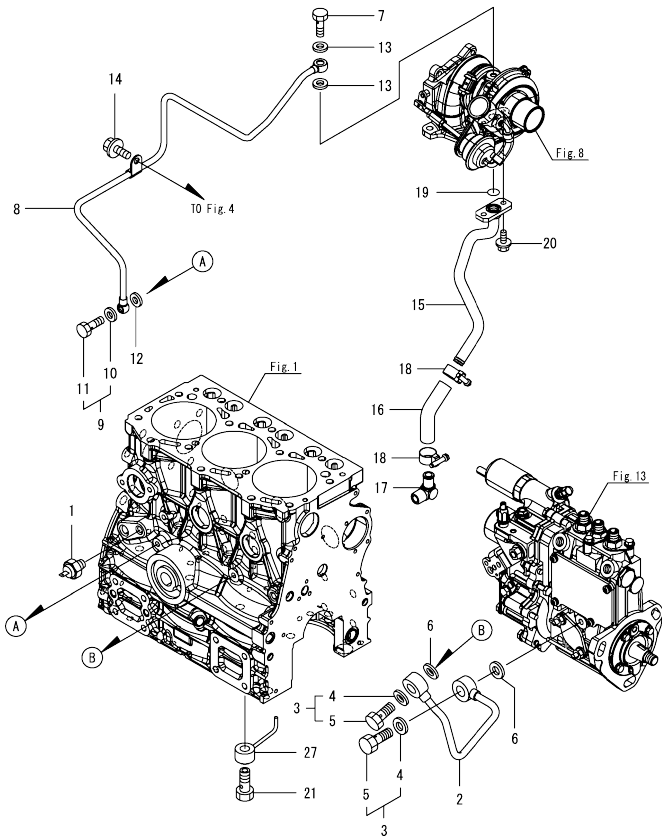
(D)=
(E)=
(F)=

No.	Lev.	Parts No.	Description	Q'ty						I	R
				(A)	(B)	(C)	(D)	(E)	(F)		
1	1	119717-33010	COOLER, OIL	1							
2	2	129508-33050	O-RING	1							
3	1	129417-33111	NUT, OIL COOLER	1							
4	1	119E11-35140	STUD, LO FILTER	1							
5	1	129006-44480	JOINT, R02	1							
6	1	119E11-49010	PIPE ASSY, COOLER IN	1							
7	2	171008-03990	CLAMP, HOSE 18.5	1							
9	2	23080-015000	CLAMP, 15	1							
10	1	129508-49040	HOSE ASSY, COOLER OUT	1							
11	2	171008-03990	CLAMP, HOSE 18.5	1							
13	2	119940-59130	TUBE, CORRUGATED 19	1							
14	2	23080-015000	CLAMP, 15	1							
15	1	171056-49120	PLUG, DRAIN R1/4	1							
16	1	119E33-34870	DIPSTICK, LUB.OIL	1							
17	1	119260-34810	GUIDE, DIPSTICK	1							
18	1	24316-240100	O-RING, 4DP44.0	1							
19	1	119744-34850	GUIDE, DIPSTICK	1							
20	1	26106-100222	BOLT, 10 X 22	1							
21	1	119717-32060	O-RING, P15.0	1							
22	1	119717-35080	PIPE ASSY, OIL INLET	1							
26	1	26106-060102	BOLT, M6X 10 PLATED	2							
27	1	119305-35151	FILTER ASSY, D68XL65	1							1

Remarks

(1) Spare parts.

Fig.11. LUB. OIL PIPE



(A)=3TNV80FT-ZMPF
(B)=
(C)=

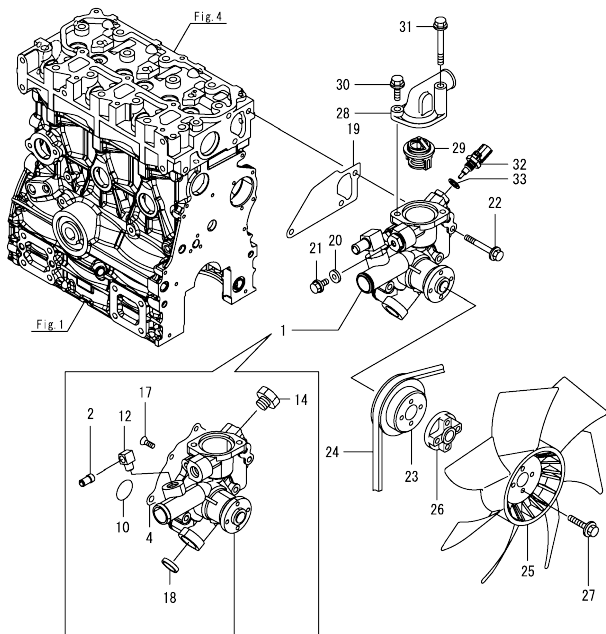
(D)=
(E)=
(F)=

No.	Lev.	Parts No.	Description	Q'ty						I	R
				(A)	(B)	(C)	(D)	(E)	(F)		
1	1	119761-39450	SWITCH, HYDRAULIC	1							
2	1	119717-39210	PIPE, PUMP	1							
3	1	129005-59830	BOLT ASSY, JOINT M8	2							
4	2	22190-080002	WASHER, SEAL 8	2							
5	2	23857-030000	BOLT, JOINT 3	2							
6	1	22190-080002	WASHER, SEAL 8	2							
7	1	121252-39150	BOLT, JOINT M10X1.5	1							
8	1	119E11-39450	PIPE ASSY, LO	1							
9	1	129005-59830	BOLT ASSY, JOINT M8	1							
10	2	22190-080002	WASHER, SEAL 8	1							
11	2	23857-030000	BOLT, JOINT 3	1							
12	1	22190-080002	WASHER, SEAL 8	1							
13	1	23414-100000	GASKET, 10X1.0	2							
14	1	26106-080122	BOLT, M8X 12 PLATED	1							
15	1	119E11-39600	PIPE, LO RETURN T/C	1							
16	1	129044-39610	JOINT, RUBBER	1							
17	1	129466-49300	ELBOW, PT3/8	1							
18	1	23000-022000	CLAMP, 22	2							
19	1	24316-000160	O-RING, 4DP16.0	1							
20	1	26106-060162	BOLT, M6X 16 PLATED	2							
21	1	119E11-39410	VALVE ASSY, CHECK	3							
27	1	119E11-39660	NOZZLE ASSY, PISTON	3							

Fig.12. COOLING WATER SYSTEM

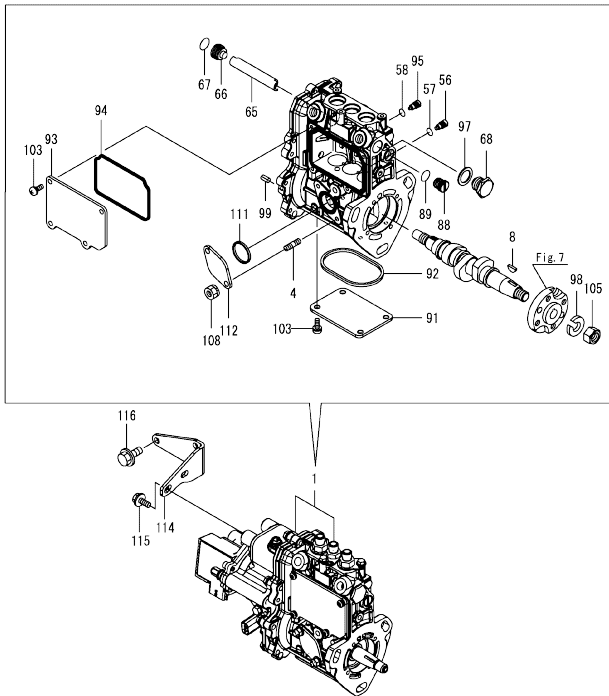
(A)=3TNV80FT-ZMPF
(B)=
(C)=

(D)=
(E)=
(F)=



No.	Lev.	Parts No.	Description	Q'ty						I	R
				(A)	(B)	(C)	(D)	(E)	(F)		
1	1	119E11-42001	PUMP ASSY, WATER	1							
2	2	121851-11970	JOINT, PIPE 3/8	1							
4	2	119717-42031	GASKET, WATER PUMP	1							
10	2	119C10-42320	O-RING, 2028	1							
12	2	119751-49310	JOINT, WATER RETURN	1							
14	2	129974-49350	JOINT, SENSOR	1							
17	2	26577-060122	SCREW, M6X12	4							
18	2	119717-42050	PLUG, 25	1							
19	1	119717-42020	GASKET, WATER PUMP	1							
20	1	23414-080000	GASKET, 8X1.0	1							
21	1	26106-080122	BOLT, M8X 12 PLATED	1							
22	1	26106-080502	BOLT, M8X 50 PLATED	3							
23	1	119717-42350	V-PULLEY, PUMP D=100	1							
24	1	129258-42290	V-BELT, A36.5	1							
25	1	119717-44740	FAN, COOLING D=335X7	1							
26	1	121267-44760	SPACER, FAN 18MM	1							
27	1	26106-060302	BOLT, M6X 30 PLATED	4							
28	1	124101-49531	COVER, THERMOSTAT	1							
29	1	119717-49800	THERMOSTAT, 71C	1							
30	1	26106-080282	BOLT, M8X 28 PLATED	1							
31	1	26106-080652	BOLT, M8X 65 PLATED	1							
32	1	129927-44900	SENSOR, TEMPERATURE	1							
33	1	22190-120002	WASHER, SEAL 12	1							

Fig.13. FUEL INJECTION PUMP



(A)=3TNV80FT-ZMPF
(B)=
(C)=

(D)=
(E)=
(F)=

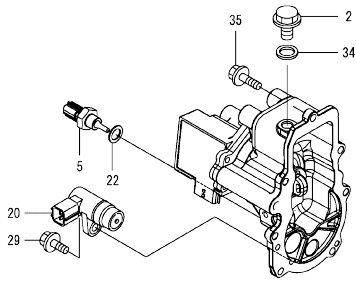
No.	Lev.	Parts No.	Description	Qty						I	R	
				(A)	(B)	(C)	(D)	(E)	(F)			
1	1	719E33-51320	FIE ASSY	1							1	
4	2	129155-51020	STUD	2								
8	2	122710-51090	KEY, FEATHER	1								
56	2	158600-51270	STOPPER, TAPPET	3								
57	2	129155-51280	O-RING, S6	3								
58	2	129155-51280	O-RING, S6	1								
65	2	129155-51400	PROTECTOR	1								
66	2	158600-51410	PLUG, DEFLIFTER M12	1								
67	2	119717-51420	O-RING	1								
68	2	158600-51420	PLUG, DEFLIFTER M16	1								
88	2	158600-51570	PLUG, RACK	1								
89	2	129155-51580	O-RING	1								
91	2	129155-51701	COVER, PUMP BOTTOM	1								
92	2	119717-51711	GASKET, PUMP	1								
93	2	119717-51750	COVER, BODY SIDE	1								
94	2	119717-51761	GASKET, PUMP COVER	1								
95	2	158600-51790	STOPPER, RACK	1								
97	2	22190-160002	WASHER, SEAL 16	1								
98	2	22217-120000	WASHER, SPRING 12	1								
99	2	22351-050010	PIN, SPRING 5.0X10	2								
103	2	26022-050122	SCREW, M5X12	8								
105	2	26716-120002	NUT, M12	1								
108	2	119717-51860	NUT, M6	2								
111	2	129155-52051	GASKET, PUMP COVER	1								
112	2	129100-52200	COVER, FEED PUMP	1								
114	1	119E11-51200	SUPPORT, FOP	1								
115	1	26106-080142	BOLT, M8X 14 PLATED	2								
116	1	26106-080202	BOLT, M8X 20 PLATED	2								

Remarks

(1)Governor(Fig.14) is incorporated in this Fuel Injection Pump(No.1).

OCD50-M06170 ENGINE
 Fig.14. GOVERNOR

OCD50-M06170 Fig.14



(A)=3TNV80FT-ZMPF
 (B)=
 (C)=

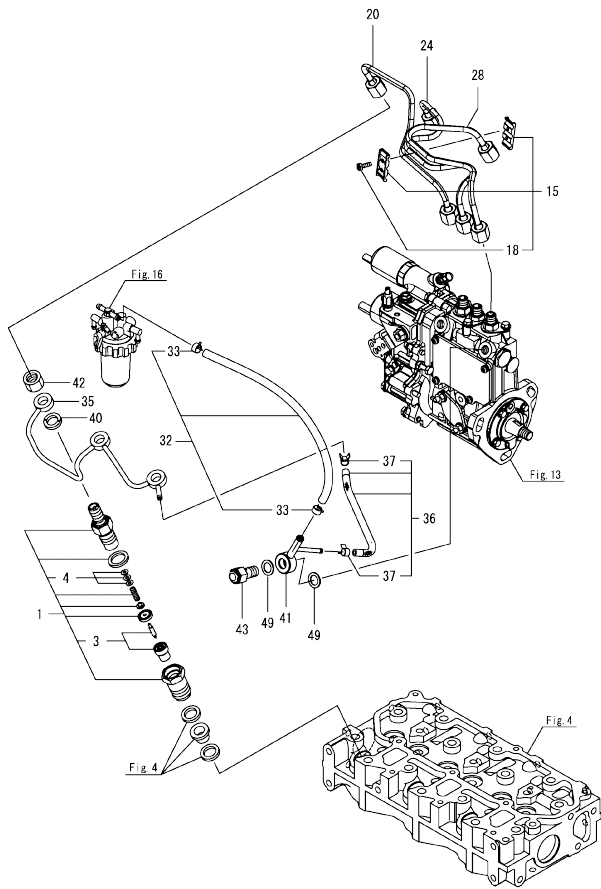
(D)=
 (E)=
 (F)=

No.	Lev.	Parts No.	Description	Q'ty						I	R
				(A)	(B)	(C)	(D)	(E)	(F)		
2	2	119717-51930	PLUG, M10	1							
5	2	119E11-39440	SENSOR, OIL TEMP	1							
20	2	158557-61720	SENSOR, ROTATION	1							
22	2	22190-120002	WASHER, SEAL 12	1							
29	2	26106-060162	BOLT, M6X 16 PLATED	1							
34	2	22190-100002	WASHER, SEAL 10	1							
35	2	26106-060202	BOLT, M6X 20 PLATED	7							

Remarks

* This figure(Governor) is incorporated in the Fuel Injection Pump(Fig.13).

Fig.15. FUEL INJECTION VALVE



(A)=3TNV80FT-ZMPF
(B)=
(C)=

(D)=
(E)=
(F)=

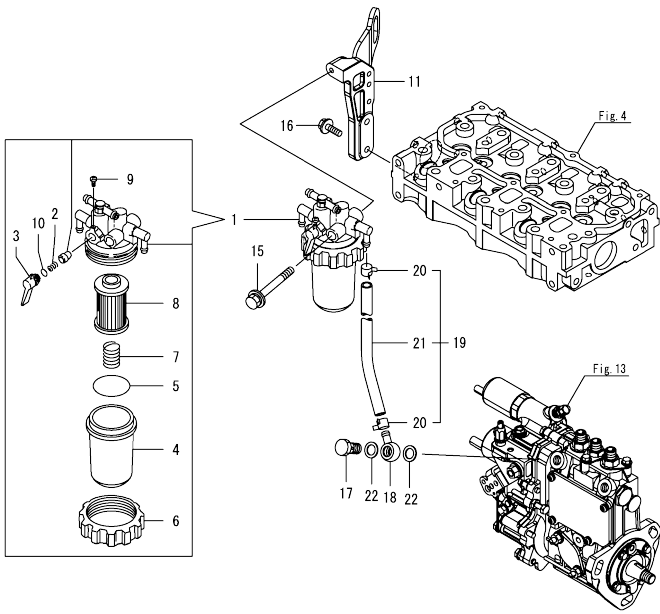
No.	Lev.	Parts No.	Description	Q'ty						I	R
				(A)	(B)	(C)	(D)	(E)	(F)		
1	1	119C10-53000	VALVE ASSY,INJECTION	3							
3	2	119C10-53010	VALVE ASSY,INJECTION	3							
4	2	129901-53800	SHIM SET, ADJUSTING	3							1
15	1	129150-59120	RETAINER, PIPE	1							
18	2	129150-59131	BOLT, M4X14	2							
20	1	119E10-59810	PIPE ASSY, INJECTION	1							
24	1	119E10-59820	PIPE, INJECTION NO.2	1							
28	1	119E10-59830	PIPE, INJECTION NO.3	1							
32	1	129210-59170	HOSE ASSY, FUEL L.440	1							
33	2	124766-59050	CLAMP, HOSE 11.5	2							
35	1	119E11-59510	PIPE ASSY, FO RETURN	1							
36	1	119744-59560	HOSE ASSY, RETURN	1							
37	2	124066-59100	CLAMP, HOSE 8	2							
40	1	129901-59560	GASKET, FUEL RETURN	3							
41	1	119740-59590	JOINT, OVERFLOW	1							
42	1	119620-59700	NUT, NOZZLE RETURN	3							
43	1	119813-59950	VALVE ASSY, CHECK	1							
49	1	22190-120002	WASHER, SEAL 12	2							

Remarks

(1)Spare parts.

OCD50-M06170 ENGINE
 Fig.16. FUEL PIPE

OCD50-M06170 Fig.16



(A)=3TNV80FT-ZMPF
 (B)=
 (C)=

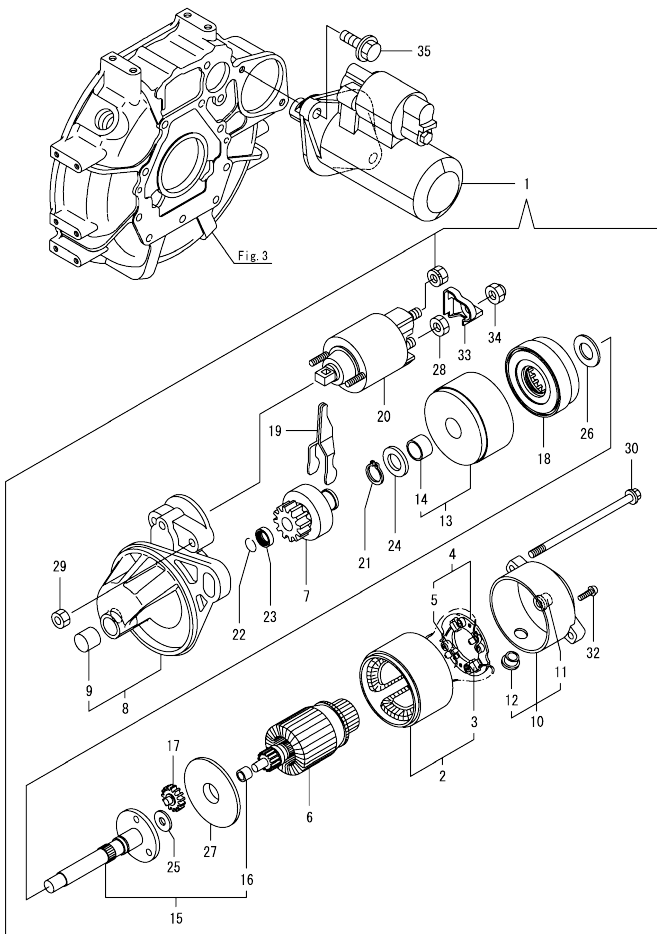
(D)=
 (E)=
 (F)=

No.	Lev.	Parts No.	Description	Q'ty					
				(A)	(B)	(C)	(D)	(E)	(F)
1	1	119833-55621	FILTER ASSY, FUEL	1					
2	2	104200-55330	SPRING, FUEL VALVE	1					
3	2	119810-55340	LEVER, FUEL	1					
4	2	121254-55510	CUP, FUEL STARINER	1					
5	2	102103-55520	O-RING, FILTER	1					
6	2	110250-55610	RING, CUP RETAINING	1					
7	2	121250-55620	SPRING, ELEMENT	1					
8	2	119810-55650	ELEMENT, FUEL FILTER	1					
9	2	104200-55750	SCREW, M4	1					
10	2	24311-240100	O-RING, 1AP10A	1					
11	1	119E33-55640	BRACKET ASSY	1					
15	1	26014-080702	BOLT, M8X 70	1					
16	1	26106-080252	BOLT, M8X 25 PLATED	2					
17	1	103854-39140	BOLT, PIPE JOINT	1					
18	1	101304-59020	JOINT, PIPE 12	1					
19	1	129210-59080	HOSE ASSY, FUEL L270	1					
20	2	124766-59050	CLAMP, HOSE 11.5	2					
21	2	129136-59110	HOSE, D13/7.5X270	1					
22	1	22190-120002	WASHER, SEAL 12	2					

Fig.17. STARTER MOTOR

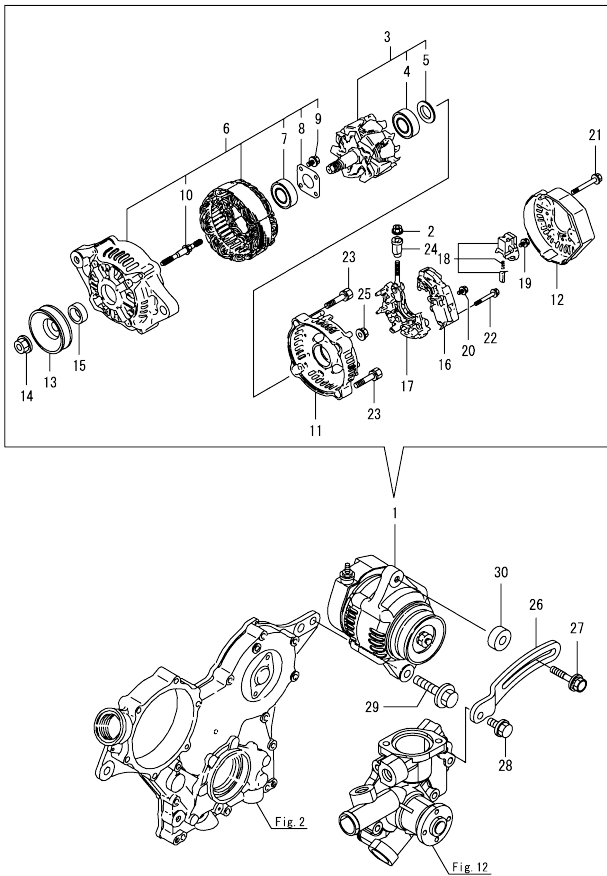
(A)=3TNV80FT-ZMPF
(B)=
(C)=

(D)=
(E)=
(F)=



No.	Lev.	Parts No.	Description	Q'ty						I	R
				(A)	(B)	(C)	(D)	(E)	(F)		
1	1	119717-77010	STARTER, P1.1	1							
2	2	X0281007750	YOKE ASSY	1							
3	3	X0280996180	STARTER KIT	2							
4	2	X0285105190	HOLDER ASSY	1							
5	3	X0285205030	SPRING	4							
6	2	X0282005991	ARMATURE ASSY	1							
7	2	X0283006960	CLUTCH	1							
8	2	X4284001590	HOUSING ASSY	1							
9	3	X9491050100	BEARING, NEEDLE	1							
10	2	X0285007030	FRAME ASSY	1							
11	3	X9491040990	BEARING	1							
12	3	X0280626010	COVER	1							
13	2	X0284105040	BEARING ASSY, SUB	1							
14	3	X9491034330	BEARING	1							
15	2	X0286105010	SHAFT ASSY, SUB	1							
16	3	X9491034320	BEARING	1							
17	2	X0286305010	GEAR	3							
18	2	X0286355010	GEAR	1							
19	2	X0287405140	LEVER	1							
20	2	X2534000090	SWITCH ASSY	1							
21	2	X9055715000	RING	1							
22	2	X9490721360	RING	1							
23	2	X0280210331	NUT	1							
24	2	X9490138110	WASHER	1							
25	2	X9490138090	WASHER	1							
26	2	X9490138100	WASHER	1							
27	2	X0284525010	PLATE	1							
28	2	X9490562360	NUT	1							
29	2	X9490560750	NUT	2							
30	2	X9490423420	BOLT, THROUGH	2							
32	2	X9490065670	SCREW, M4X6	2							
33	2	X1280330020	COVER, TERMINAL	1							
34	2	X1289510130	NUT	1							
35	1	26106-100252	BOLT, M10X 25 PLATED	2							

Fig.18. GENERATOR

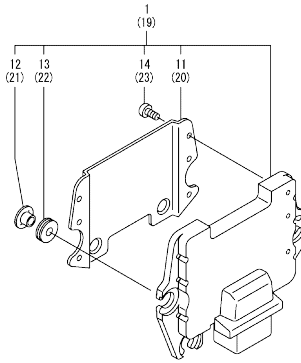


(A)=3TNV80FT-ZMPF
(B)=
(C)=

(D)=
(E)=
(F)=

No.	Lev.	Parts No.	Description	Q'ty						I	R
				(A)	(B)	(C)	(D)	(E)	(F)		
1	1	119626-77220	ALTERNATOR, 12V-55A	1							
2	2	129240-79310	NUT	1							
3	2	129052-77380	ROTOR ASSY	1							
4	3	123501-79240	BEARING, BALL	1							
5	3	119620-79250	COVER, BEARING	1							
6	2	129052-77422	FRAME ASSY	1							
7	3	119620-79200	BEARING, BALL	1							
8	3	119620-79210	PLATE, RETAINER	1							
9	3	119620-79220	SCREW	4							
10	3	119620-79230	STUD	2							
11	2	128401-77440	COVER, END	1							
12	2	119626-77450	COVER, END	1							
13	2	119620-77461	PULLEY, GENERATOR	1							
14	2	119620-77471	NUT	1							
15	2	119620-77490	COLLAR	1							
16	2	129423-77730	REGULATOR ASSY	1							
17	2	129052-79260	HOLDER ASSY	1							
18	2	129052-79270	HOLDER ASSY, BRUSH	1							
19	2	119620-79290	SCREW	6							
20	2	119620-79300	SCREW	1							
21	2	119620-79310	BOLT	3							
22	2	119620-79320	SCREW, W/WASHER	2							
23	2	119620-79330	BOLT	2							
24	2	119620-79340	BUSH, INSULATION	1							
25	2	119620-79350	NUT	2							
26	1	26106-100452	BOLT, M10X 45 PLATED	1							
27	1	119940-77270	SPACER, GENERATOR	1							
28	1	119717-77340	ADJUSTER, BELT	1							
29	1	129972-77341	BOLT, ADJUSTER L=50	1							
30	1	26106-080202	BOLT, M8X 20 PLATED	1							

Fig.19. ELECTRONIC CONTROL UNIT(ECU)



(A)=3TNV80FT-ZMPF
(B)=
(C)=

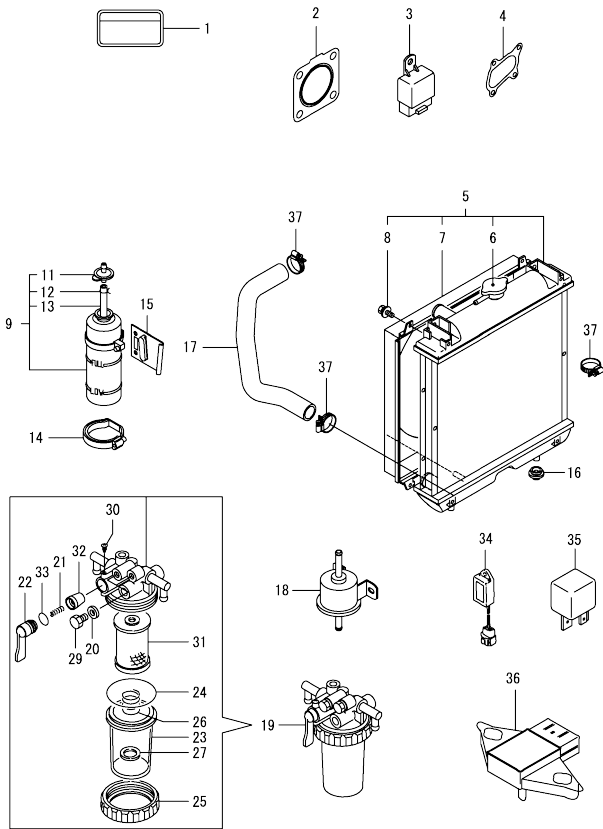
(D)=
(E)=
(F)=

No.	Lev.	Parts No.	Description	Q'ty						I	R
				(A)	(B)	(C)	(D)	(E)	(F)		
1	1	119E33-75040	ECU ASSY	1							1
11	2	129927-77600	SHIELD, ECU	1							
12	2	129927-77680	COLLAR, CONTROLLER	3							
13	2	119578-91351	RUBBER, CONTROLLER	3							
14	2	22877-500080	SCREW, 5X 8	6							
19	1	129927-75901	ECU ASSY, SERVICE	1							2
20	2	129927-77600	SHIELD, ECU	1							
21	2	129927-77680	COLLAR, CONTROLLER	3							
22	2	119578-91351	RUBBER, CONTROLLER	3							
23	2	22877-500080	SCREW, 5X 8	6							

Remarks
 (1)Eco ECU
 This part cannot be ordered.
 Replace the part using a Service ECU with the proper engine information installed.
 (2)Service ECU
 If the proper information is not installed, the engine will not operate.
 To install proper information, go to an authorized distributor.

OCD50-M06170 ENGINE
 Fig.20. ACCESSORY

OCD50-M06170 Fig.20



(A)=3TNV80FT-ZMPF
 (B)=
 (C)=

(D)=
 (E)=
 (F)=

No.	Lev.	Parts No.	Description	Qty						I	R	
				(A)	(B)	(C)	(D)	(E)	(F)			
1	1	114110-07761	LABEL, FUEL CAUTION	1								
2	1	119515-13200	GASKET, SILENCER	1								
3	1	172B02-17150	RELAY, CA TYPE C	2								
4	1	129A01-18090	GASKET, TURBINE OUT	1								
5	1	129004-44500	RADIATOR ASSY	1								
6	2	129107-44590	CAP, RADIATOR	1								
7	2	119802-44600	SHROUD, FAN	1								
8	2	26014-060122	BOLT, M6X 12	4								
9	1	124450-44510	TANK ASSY, SUB	1								
11	2	124450-44530	CAP, SUB TANK	1								
12	2	124450-44560	CLAMP, PIPE	1								
13	2	23061-070230	PIPE, 7X 230	1								
14	2	124450-44550	BAND, SUB TANK	1								
15	1	121256-44600	BRACKET, SUB TANK	1								
16	1	119255-44660	RUBBER, RADIATOR	2								
17	1	119802-49020	PIPE, WATER B	1								
18	1	129612-52100	PUMP, FUEL FEED	1								
19	1	129335-55701	SEPARATOR ASSY, WATER	1								
20	2	104200-55321	VALVE, TAPER	1								
21	2	104200-55330	SPRING, FUEL VALVE	1								
22	2	104200-55341	HANDLE, COCK	1								
23	2	124064-55510	CUP, FUEL STARINER	1								
24	2	102103-55520	O-RING, FILTER	1								
25	2	110250-55610	RING, CUP RETAINING	1								
26	2	121257-55720	SPRING, ELEMENT	1								
27	2	121257-55731	FLOAT	1								
29	2	101720-55750	PLUG, HEXAGON M6	2								
30	2	104200-55750	SCREW, M4	1								
31	2	171081-55910	FILTER, FUEL 100M	1								
32	2	23418-060000	GASKET, 6X1.0	2								
33	2	24311-240100	O-RING, 1AP10A	1								
34	1	129155-77925	TIMER, SECTION 4	1								
35	1	129927-77920	RELAY, ISO 70A	1								
36	1	129927-91200	SENSOR, PRESSURE	1								
37	1	23010-038000	CLAMP, 38	4								

Parts No. Index

Parts No.	Fig. No.	Ref. No.	Parts No.	Fig. No.	Ref. No.	Parts No.	Fig. No.	Ref. No.	Parts No.	Fig. No.	Ref. No.
101304-59020	16	18	119623-01250	1	5	119717-42050	12	18	119E10-11100	4	13
101720-55750	20	29	119624-32040	2	18	119717-42350	12	23	119E10-11110	4	14
102103-55520	16	5	119626-77220	18	1	119717-44740	12	25	119E10-21700	9	1
	20	24	119626-77450	18	12	119717-49800	12	29	119E10-22300	9	22
103854-39140	16	17	119660-01911	2	17	119717-51150	7	17	119E10-22500	9	18
104200-55321	20	20	119717-01501	2	1	119717-51420	13	67	119E10-22550	9	34
104200-55330	16	2	119717-01521	2	5	119717-51711	13	92	119E10-23001	9	24
	20	21	119717-01570	2	2	119717-51750	13	93	119E10-59810	15	20
104200-55341	20	22	119717-01601	3	2	119717-51761	13	94	119E10-59820	15	24
104200-55750	16	9	119717-01720	3	7	119717-51860	13	108	119E10-59830	15	28
	20	30	119717-01750	2	16	119717-51930	14	2	119E11-01150	1	1
105010-11490	4	3	119717-01800	2	7	119717-77010	17	1	119E11-03050	5	7
105311-01090	1	4	119717-02411	1	10	119717-77340	18	28	119E11-11320	4	46
105425-01690	3	9	119717-02930	1	23	119717-77801	4	56	119E11-11390	4	35
110250-55610	16	6	119717-03031	4	36	119717-77820	4	57	119E11-11740	4	4
	20	25	119717-03070	4	37	119718-11310	4	45	119E11-13100	6	1
114110-07761	20	1			38	119734-01590	2	3	119E11-22080	9	16
119100-11330	4	47	119717-11131	4	15	119734-02220	3	4	119E11-22900	9	33
119131-18320	8	3	119717-11190	4	17	119740-01770	3	8	119E11-35140	10	4
119255-44660	20	16	119717-11200	4	21	119740-59590	15	41	119E11-39410	11	21
119260-11270	4	32	119717-11240	4	22	119744-34850	10	19	119E11-39440	14	5
119260-34810	10	17	119717-11260	4	25	119744-59560	15	36	119E11-39450	11	8
119285-01990	1	6	119717-11331	4	48	119751-49310	12	12	119E11-39600	11	15
119285-11990	4	11	119717-11340	4	18	119761-39450	11	1	119E11-39660	11	27
119305-35151	10	27	119717-11350	4	19	119802-03100	4	39	119E11-42001	12	1
119515-13200	20	2	119717-11650	4	27	119802-03110	4	40	119E11-49010	10	6
119578-91351	19	13	119717-11800	4	63	119802-03121	4	41	119E11-51200	13	114
		22	119717-13110	6	2	119802-03131	4	42	119E11-59510	15	35
119600-11460	4	2	119717-14400	7	2	119802-03141	4	43	119E33-03000	5	4
119620-01750	3	3	119717-14581	7	3	119802-13661	6	4	119E33-03010	5	5
119620-02020	1	7	119717-21200	9	4	119802-32130	2	15	119E33-07920	4	58
119620-11280	4	26	119717-23200	9	27	119802-44600	20	7	119E33-12010	5	1
119620-14200	7	1	119717-23601	9	28	119802-49020	20	17	119E33-12070	5	8
119620-59700	15	42	119717-23611	9	31	119810-01200	1	26	119E33-34870	10	16
119620-77461	18	13	119717-23911	9	30	119810-02941	1	34	119E33-55640	16	11
119620-77471	18	14	119717-25050	7	9	119810-55340	16	3	119E33-75040	19	1
119620-77490	18	15	119717-25101	7	10	119810-55650	16	8	121111-21501	9	7
119620-79200	18	7	119717-25911	7	16	119813-59950	15	43	121250-55620	16	7
119620-79210	18	8	119717-25930	7	15	119833-55621	16	1	121252-39150	11	7
119620-79220	18	9	119717-32050	2	19	119865-21600	9	10	121254-55510	16	4
119620-79230	18	10	119717-32060	10	21	119940-59130	10	13	121256-44600	20	15
119620-79250	18	5	119717-32080	2	9	119940-77270	18	27	121257-55720	20	26
119620-79290	18	19	119717-32100	2	8	119C10-21650	9	11	121257-55731	20	27
119620-79300	18	20	119717-32110	2	13	119C10-21931	9	13	121267-44760	12	26
119620-79310	18	21	119717-32120	2	14	119C10-21940	9	14	121850-51960	2	20
119620-79320	18	22	119717-33010	10	1	119C10-42320	12	10	121851-11970	12	2
119620-79330	18	23	119717-35080	10	22	119C10-53000	15	1	122710-51090	13	8
119620-79340	18	24	119717-39210	11	2	119C10-53010	15	3	123501-79240	18	4
119620-79350	18	25	119717-42020	12	19	119E00-21580	9	8	124060-01050	1	11
119621-21681	9	12	119717-42031	12	4	119E10-01330	1	27	124064-55510	20	23

Parts No. Index

Parts No.	Fig. No.	Ref. No.
124066-59100	15	37
124101-49531	12	28
124160-01751	2	28
	4	34
124160-01910	1	12
124450-44510	20	9
124450-44530	20	11
124450-44550	20	14
124450-44560	20	12
124766-59050	15	33
	16	20
128401-77440	18	11
129001-32320	2	11
129001-32330	2	12
129004-44500	20	5
129005-59830	11	3
		9
129006-44480	10	5
129044-39610	11	16
129052-77380	18	3
129052-77422	18	6
129052-79260	18	17
129052-79270	18	18
129100-01580	3	1
	9	2
129100-52200	13	112
129107-44590	20	6
129136-59110	16	21
129150-11230	4	28
129150-11750	4	30
129150-25301	7	14
129150-59120	15	15
129150-59131	15	18
129155-51020	13	4
129155-51280	13	57
		58
129155-51400	13	65
129155-51580	13	89
129155-51701	13	91
129155-52051	13	111
129155-77925	20	34
129210-59080	16	19
129210-59170	15	32
129240-79310	18	2
129258-42290	12	24
129335-55701	20	19
129410-03990	5	6
129417-33111	10	3
129418-18320	6	5
129423-77730	18	16

Parts No.	Fig. No.	Ref. No.
129466-49300	11	17
129508-11180	4	16
129508-33050	10	2
129508-49040	10	10
129612-52100	20	18
129900-32130	2	10
129901-11450	4	1
129901-53800	15	4
129901-59560	15	40
129927-44900	12	32
129927-75901	19	19
129927-77600	19	11
		20
129927-77680	19	12
		21
129927-77920	20	35
129927-91200	20	36
129972-77341	18	29
129974-49350	12	14
129A01-18011	8	1
129A01-18080	8	2
129A01-18090	20	4
129E00-13610	6	3
158557-61720	14	20
158600-51270	13	56
158600-51410	13	66
158600-51420	13	68
158600-51570	13	88
158600-51790	13	95
171008-03990	10	7
		11
171056-49120	10	15
171081-55910	20	31
172B02-17150	20	3
22190-080002	11	4
		6
		10
		12
22190-100002	14	34
22190-120002	12	33
	14	22
	15	49
	16	22
22190-160002	3	12
	13	97
22217-120000	13	98
22242-000120	4	31
22252-000220	9	23
22351-050010	13	99
22351-060012	4	20

Parts No.	Fig. No.	Ref. No.
22512-040120	9	5
		15
22857-500100	4	49
		50
22857-500160	4	51
22877-500080	19	14
		23
23000-022000	11	18
23000-048000	5	2
23000-054000	5	3
		9
23010-038000	20	37
23061-070230	20	13
23080-015000	10	9
		14
23414-080000	12	20
23414-100000	11	13
23418-060000	20	32
23857-030000	11	5
		11
23876-005000	4	12
23876-030000	2	6
24311-000320	2	29
	4	52
24311-240100	16	10
	20	33
24316-000160	11	19
24316-240100	10	18
26014-060122	20	8
26014-080702	16	15
26022-050122	13	103
26106-060102	10	26
26106-060122	2	21
	7	8
26106-060162	2	22
	11	20
	14	29
26106-060202	4	53
	14	35
26106-060302	12	27
26106-060352	7	13
26106-060402	2	23
	24	24
26106-060602	2	25
26106-060652	2	26
26106-060752	4	54
26106-060852	4	55
26106-080122	3	13
	11	14
	12	21

Parts No.	Fig. No.	Ref. No.
26106-080142	13	115
26106-080202	13	116
	18	30
26106-080252	16	16
26106-080282	12	30
26106-080302	3	14
26106-080402	4	33
26106-080452	3	15
26106-080502	3	16
	12	22
26106-080652	12	31
26106-080752	4	62
26106-100222	10	20
26106-100252	17	35
26106-100452	18	26
26206-100252	3	5
26206-100302	3	6
26306-080002	2	27
	8	4
26577-060122	12	17
26716-120002	13	105
27241-120000	1	13
719717-02901	1	28
719717-02911	1	31
719734-01500	2	4
719E33-51320	13	1
X0280210331	17	23
X0280626010	17	12
X0280996180	17	3
X0281007750	17	2
X0282005991	17	6
X0283006960	17	7
X0284105040	17	13
X0284525010	17	27
X0285007030	17	10
X0285105190	17	4
X0285205030	17	5
X0286105010	17	15
X0286305010	17	17
X0286355010	17	18
X0287405140	17	19
X1280330020	17	33
X1289510130	17	34
X2534000090	17	20
X4284001590	17	8
X9055715000	17	21
X9490065670	17	32
X9490138090	17	25
X9490138100	17	26
X9490138110	17	24

Parts No. Index

Parts No.	Fig. No.	Ref. No.
X9490423420	17	30
X9490560750	17	29
X9490562360	17	28
X9490721360	17	22
X9491034320	17	16
X9491034330	17	14
X9491040990	17	11
X9491050100	17	9

Parts No.	Fig. No.	Ref. No.
-----------	----------	----------

Parts No.	Fig. No.	Ref. No.
-----------	----------	----------

Parts No.	Fig. No.	Ref. No.
-----------	----------	----------