

0CD50-M04190EN

P R E F A C E

This parts catalog is the 1st edition of 3TNV80FT-ZMTE for TERBERG.

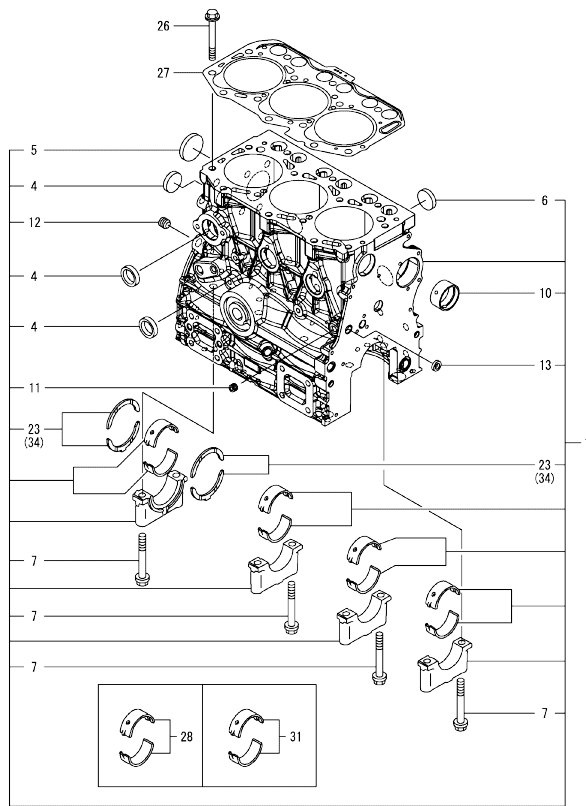
Published : October, 2018

Contents

0CD50-M04190

Fig. No.	Fig. Name	Fig. No.	Fig. Name
ENGINE			
1.	CYLINDER BLOCK		
2.	GEAR HOUSING		
3.	FLYWHEEL HOUSING & OIL SUMP		
4.	CYLINDER HEAD & BONNET		
5.	SUCTION MANIFOLD		
6.	EXHAUST MANIFOLD		
7.	CAMSHAFT & DRIVING GEAR		
8.	TURBINE		
9.	CRANKSHAFT & PISTON		
10.	LUB. OIL SYSTEM		
11.	LUB. OIL PIPE		
12.	COOLING WATER SYSTEM		
13.	FUEL INJECTION PUMP		
14.	GOVERNOR		
15.	FUEL INJECTION VALVE		
16.	FUEL PIPE		
17.	STARTER MOTOR		
18.	GENERATOR		
19.	ELECTRONIC CONTROL UNIT(ECU)		
20.	ACCESSORY		

Fig.1. CYLINDER BLOCK



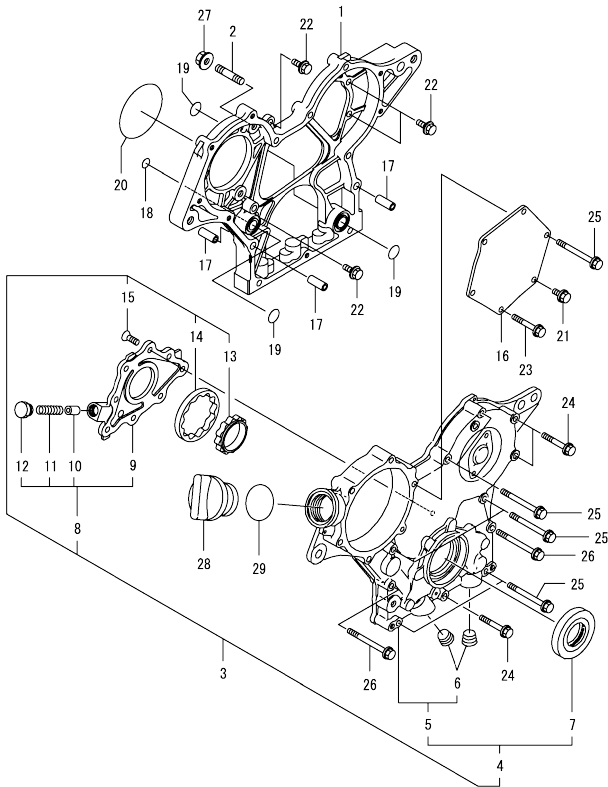
(A)=3TNV80FT-ZMTE
(B)=
(C)=

(D)=
(E)=
(F)=

No.	Lev.	Parts No.	Description	Q'ty						I	R
				(A)	(B)	(C)	(D)	(E)	(F)		
1	1	119E00-01560	BLOCK ASSY, CYLINDER	1							
4	2	105311-01090	PLUG, 30	4							
5	2	119623-01250	PLUG, 45	1							
6	2	119285-01990	PLUG, 25	3							
7	2	119620-02020	BOLT, METAL CAP	8							
10	2	119717-02411	BUSH, CAMSHAFT	1							
11	2	124060-01050	PLUG, PT1/8	1							
12	2	124160-01910	PLUG, PT1/4	1							
13	2	27241-120000	PLUG, 12	1							
23	2	119717-02930	METAL ASSY, THRUST	2							
26	1	119810-01200	BOLT, CYLINDER HEAD	14							
27	1	119E10-01330	GASKET SET, HEAD	1							
28	1	719717-02901	METAL ASSY, MAIN	4							1
31	1	719717-02911	METAL ASSY, MAIN .25	4							2
34	1	119810-02941	METAL ASSY, 0.25 OS	2							3

Remarks
(1)Spare parts.
(2)Under-sized(U.S.=0.25) parts.
(3)Over-sized(O.S.=0.25) parts.

Fig.2. GEAR HOUSING

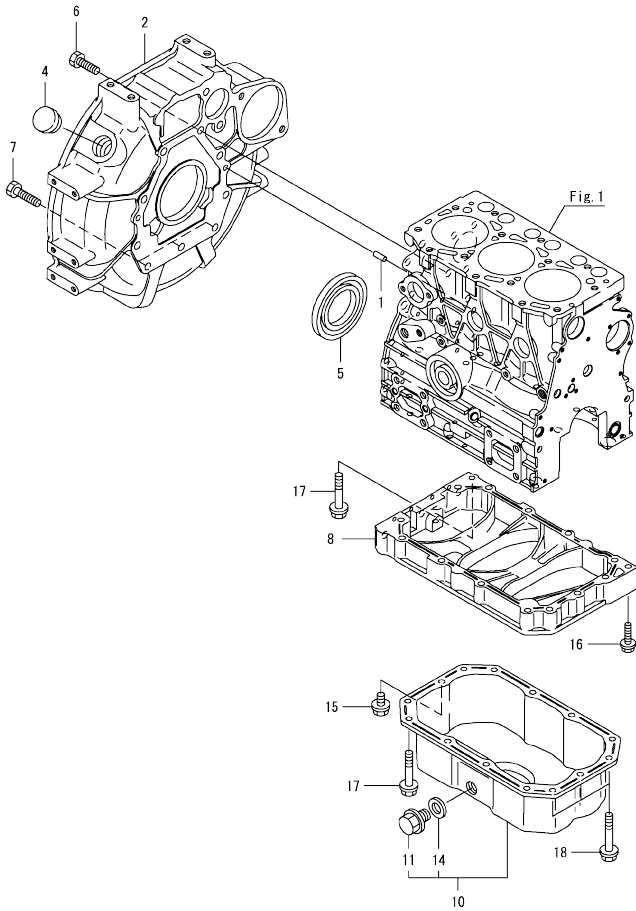


(A)=3TNV80FT-ZMTE
(B)=
(C)=

(D)=
(E)=
(F)=

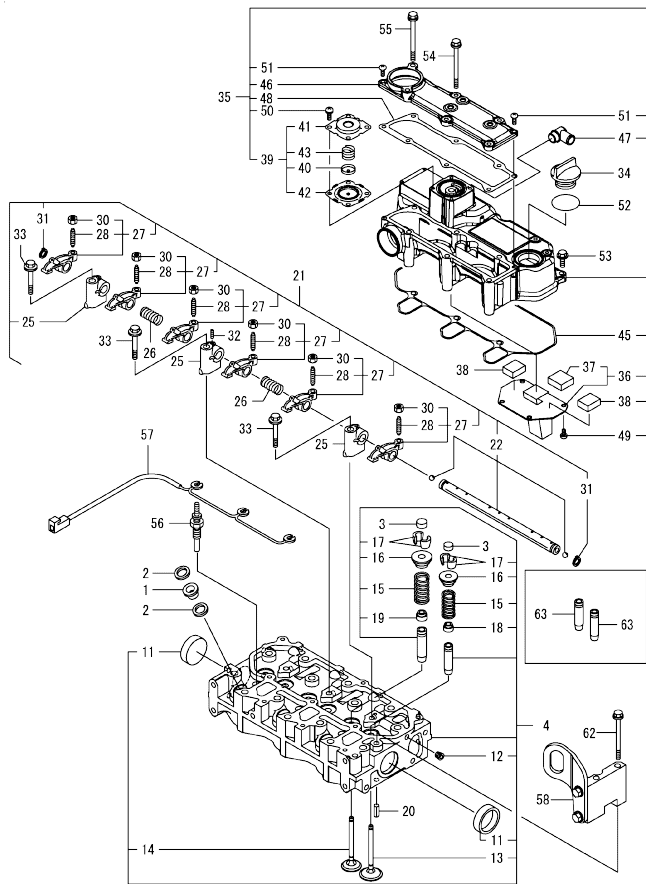
No.	Lev.	Parts No.	Description	Qty						I	R
				(A)	(B)	(C)	(D)	(E)	(F)		
1	1	119717-01501	CASE, GEAR	1							
2	1	119717-01570	STUD	3							
3	1	119734-01590	COVER ASSY, CASE	1							
4	2	719734-01500	COVER ASSY, CASE	1							
5	3	119717-01521	COVER, GEAR CASE	1							
6	4	23876-030000	PLUG, R03	2							
7	3	119717-01800	SEAL, OIL	1							
8	2	119717-32100	COVER ASSY, PUMP	1							
9	3	119717-32080	COVER, OIL PUMP	1							
10	3	129900-32130	VALVE, RELIEF	1							
11	3	129001-32320	SPRING	1							
12	3	129001-32330	PLUG	1							
13	2	119717-32110	ROTOR, INNER	1							
14	2	119717-32120	ROTOR, OUTER	1							
15	2	119802-32130	SCREW, M6X16	8							
16	1	119717-01750	COVER, PUMP	1							
17	1	119660-01911	PIPE, KNOCK 6X17	4							
18	1	119624-32040	O-RING, P12.0	1							
19	1	119717-32050	O-RING, P17.0	3							
20	1	121850-51960	O-RING, FUEL PUMP	1							
21	1	26106-060122	BOLT, M6X 12 PLATED	1							
22	1	26106-060162	BOLT, M6X 16 PLATED	4							
23	1	26106-060402	BOLT, M6X 40 PLATED	4							
24	1	26106-060402	BOLT, M6X 40 PLATED	3							
25	1	26106-060602	BOLT, M6X 60 PLATED	7							
26	1	26106-060652	BOLT, M6X 65 PLATED	2							
27	1	26306-080002	NUT, M8	3							
28	1	124160-01751	CAP, FILLER	1							
29	1	24311-000320	O-RING, 1AP32.0	1							

Fig.3. FLYWHEEL HOUSING & OIL SUMP



No.	Lev.	Parts No.	Description	Q'ty						I	R
				(A)	(B)	(C)	(D)	(E)	(F)		
1	1	129100-01580	PIN, PARALLEL 8X16		2						
2	1	119717-01601	HOUSING, FLYWHEEL		1						
4	1	119620-01750	CAP, WHEEL COVER		1						
5	1	124085-02220	SEAL, METAL HOUSING		1						
6	1	26206-100252	BOLT, M10X 25 PLATED		8						
7	1	26206-100302	BOLT, M10X 30 PLATED		3						
8	1	119717-01720	SPACER, OIL PAN		1						
10	1	119717-01770	OIL PAN ASSY		1						
11	2	105425-01690	PLUG, DRAIN M16		1						
14	2	22190-160002	WASHER, SEAL 16		1						
15	1	26106-080122	BOLT, M8X 12 PLATED		1						
16	1	26106-080302	BOLT, M8X 30 PLATED		1						
17	1	26106-080452	BOLT, M8X 45 PLATED		11						
18	1	26106-080502	BOLT, M8X 50 PLATED		3						

Fig.4. CYLINDER HEAD & BONNET



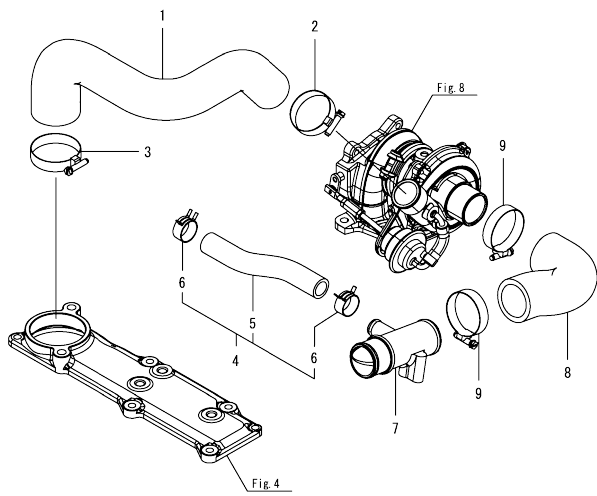
(A)=3TNV80FT-ZMTE
(B)=
(C)=

(D)=
(E)=
(F)=

No.	Lev.	Parts No.	Description	(A)	(B)	(C)	(D)	(E)	(F)	I	R
1	1	129901-11450	PROTECTOR, NOZZLE	3							
2	1	119600-11460	GASKET, NOZZLE	6							
3	1	105010-11490	CAP, VALVE	6							
4	1	119E11-11740	HEAD ASSY, CYLINDER	1							
11	2	119285-11990	PLUG, 35	2							
12	2	23876-005000	PLUG, R005	1							
13	2	119E10-11100	VALVE, INTAKE	3							
14	2	119E10-11110	VALVE, EXHAUST	3							
15	2	119717-11131	SPRING, VALVE	6							
16	2	129508-11180	RETAINER, SPRING	6							
17	2	119717-11190	COTTER, VALVE	12							
18	2	119717-11340	SEAL, VALVE STEM	3							
19	2	119717-11350	SEAL, VALVE STEM	3							
20	1	22351-060012	PIN, SPRING 6.0X12	2							
21	1	119717-11200	SUPPORT ASSY, ROCKER	1							
22	2	119717-11240	SHAFT ASSY, ARM	1							
25	2	119717-11260	SUPPORT, ROCKER ARM	3							
26	2	119620-11280	SPRING, SHAFT	2							
27	2	119717-11650	ARM ASSY, ROCKER INT	6							
28	3	129150-11230	SCREW, VALVE ADJUST	6							
30	3	129150-11750	NUT, M8X1.0	6							
31	2	22242-000120	RING, 12	2							
32	2	26979-050162	SCREW, M5X16	1							
33	1	26106-080402	BOLT, M8X 40 PLATED	3							
34	1	124160-01751	CAP, FILLER	1							
35	1	119E11-11390	BONNET ASSY	1							
36	2	119717-03031	PLATE, BAFFLE	1							
37	3	119717-03070	BAFFLE, BREATHER	1							
38	2	119717-03070	BAFFLE, BREATHER	2							
39	2	119802-03100	DIAPHRAGM ASSY	1							
40	3	119802-03110	PLATE, DIAPHRAGM	1							
41	3	119802-03121	COVER, DIAPHRAGM	1							
42	3	119802-03131	DIAPHRAGM, BREATHER	1							
43	3	119802-03141	SPRING, DIAPHRAGM	1							
45	2	119718-11310	GASKET, BONNET	1							
46	2	119E11-11320	COVER ASSY, BONNET	1							
47	2	119100-11330	ELBOW, BREATHER	1							
48	2	119717-11331	GASKET, BONNET COVER	1							
49	2	22857-500100	SCREW, 5X10	4							
50	2	22857-500100	SCREW, 5X10	4							
51	2	22857-500160	SCREW, 5X16	2							
52	1	24311-000320	O-RING, 1AP32.0	1							
53	1	26106-060202	BOLT, M6X 20 PLATED	3							
54	1	26106-060752	BOLT, M6X 75 PLATED	4							
55	1	26106-060852	BOLT, M6X 85 PLATED	2							
56	1	119717-77801	PLUG, GLOW	3							
57	1	119717-77820	CONNECTOR, GLOW PLUG	1							
58	1	119E33-07920	LIFTER ASSY	1							
62	1	26106-080752	BOLT, M8X 75 PLATED	2							
63	1	119717-11800	GUIDE, VALVE	6							1

Remarks
(1)Spare parts.

Fig.5. SUCTION MANIFOLD



(A)=3TNV80FT-ZMTE
(B)=
(C)=

(D)=
(E)=
(F)=

No.	Lev.	Parts No.	Description	Q'ty					
				(A)	(B)	(C)	(D)	(E)	(F)
1	1	119E11-12010	HOSE, AIR INTAKE	1					
2	1	23000-048000	CLAMP, 48	1					
3	1	23000-054000	CLAMP, 54	1					
4	1	119E33-03000	HOSE ASSY, BREATHER	1					
5	2	119E33-03010	HOSE, BREATHER	1					
6	2	129410-03990	CLAMP, HOSE 21.5	2					
7	1	119E11-03050	JOINT,BREATHER	1					
8	1	119E33-12070	HOSE, AIR INTAKE	1					
9	1	23000-054000	CLAMP, 54	2					

Fig.6. EXHAUST MANIFOLD

(A)=3TNV80FT-ZMTE
(B)=
(C)=

(D)=
(E)=
(F)=

No.	Lev.	Parts No.	Description	Q'ty						I	R
				(A)	(B)	(C)	(D)	(E)	(F)		
1	1	119E11-13100	MANIFOLD, EXHAUST	1							
2	1	119717-13110	GASKET, MANIFOLD	1							
3	1	129E00-13610	BOLT, M8X50 10.9	3							
4	1	119802-13661	BOLT, M8X75 10.9T	3							
5	1	129418-18320	STUD, M8X20	3							

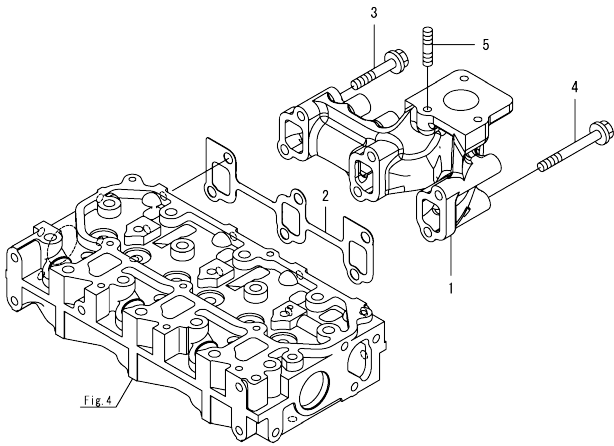
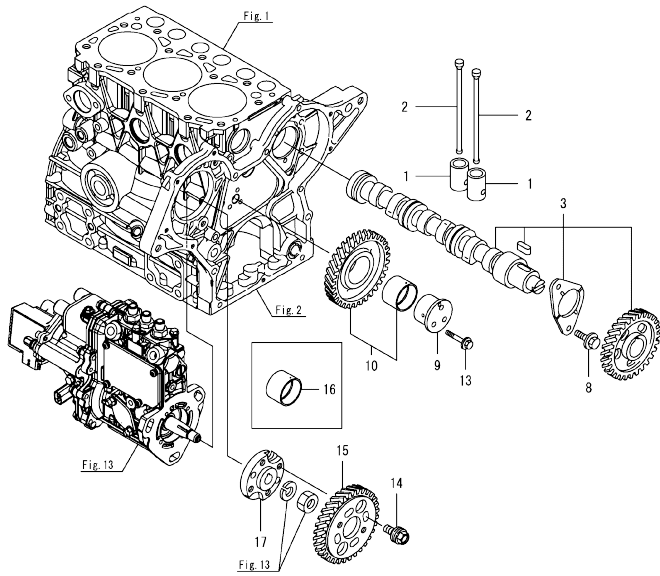


Fig.7. CAMSHAFT & DRIVING GEAR



(A)=3TNV80FT-ZMTE
(B)=
(C)=

(D)=
(E)=
(F)=

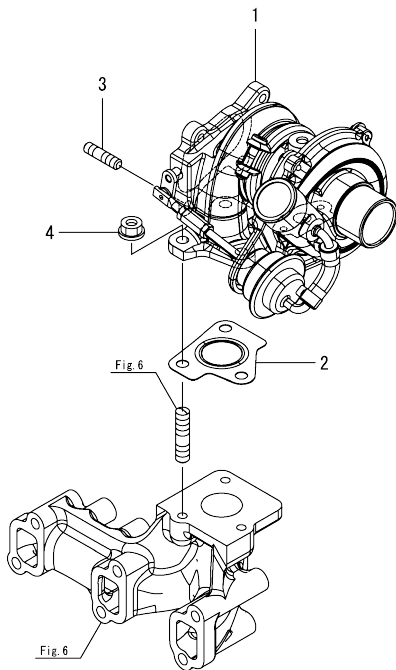
No.	Lev.	Parts No.	Description	Q'ty						I	R
				(A)	(B)	(C)	(D)	(E)	(F)		
1	1	119620-14200	TAPPET	6							
2	1	119717-14400	ROD, PUSH	6							
3	1	119717-14581	CAMSHAFT ASSY	1							
8	1	26106-060122	BOLT, M6X 12 PLATED	2							
9	1	119717-25050	SHAFT, IDLE GEAR	1							
10	1	119717-25101	GEAR ASSY, IDLE	1							
13	1	26106-060352	BOLT, M6X 35 PLATED	3							
14	1	129150-25301	BOLT, INJECTION PUMP	4							
15	1	119717-25930	GEAR, PUMP	1							
16	1	119717-25911	BUSH, IDLE GEAR	1							1
17	1	119717-51150	FLANGE, CAMSHAFT	1							

Remarks

(1)Spare parts.

OCD50-M04190 ENGINE
 Fig.8. TURBINE

OCD50-M04190 Fig.8



(A)=3TNV80FT-ZMTE
 (B)=
 (C)=

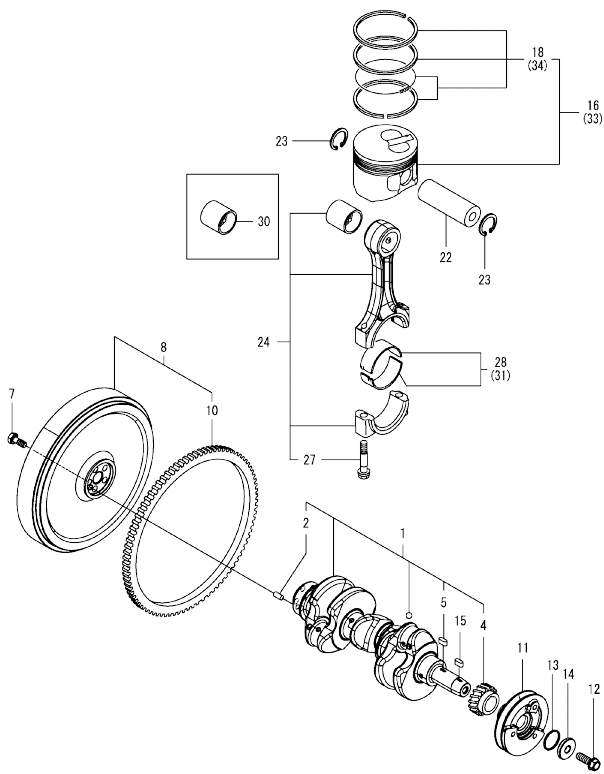
(D)=
 (E)=
 (F)=

No.	Lev.	Parts No.	Description	Q'ty						I	R
				(A)	(B)	(C)	(D)	(E)	(F)		
1	1	129A01-18011	TURBOCHARGER, RHF3	1							
2	1	129A01-18080	GASKET, TC IN	1							
3	1	119131-18320	BOLT, STUD M8X22	4							
4	1	26306-080002	NUT, M8	3							

Fig.9. CRANKSHAFT & PISTON

(A)=3TNV80FT-ZMTE
(B)=
(C)=

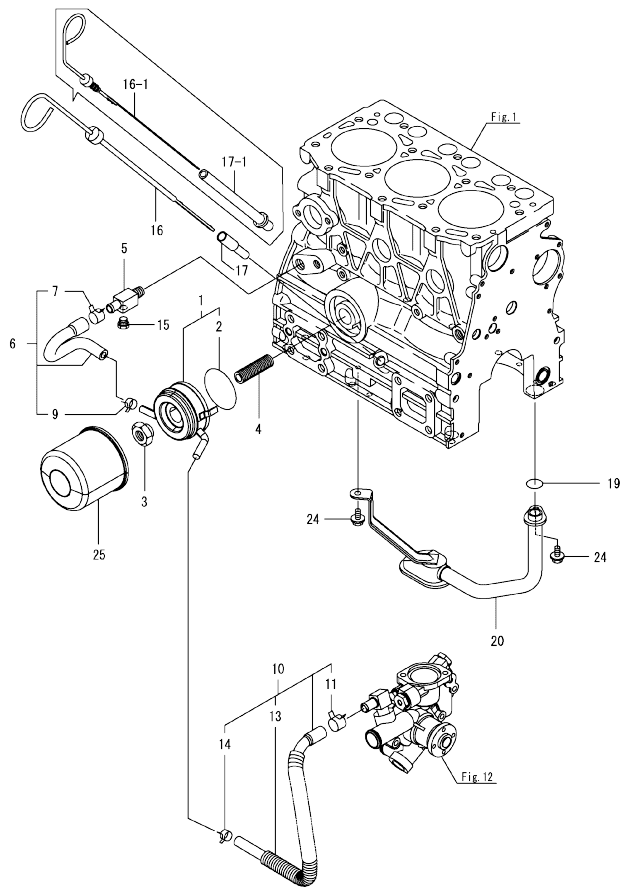
(D)=
(E)=
(F)=



No.	Lev.	Parts No.	Description	Q'ty						I	R
				(A)	(B)	(C)	(D)	(E)	(F)		
1	1	119E10-21700	CRANKSHAFT ASSY	1							
2	2	129100-01580	PIN, PARALLEL 8X16	1							
4	2	119717-21200	GEAR, CRANKSHAFT	1							
5	2	22512-040120	KEY, 4X 12	1							
7	1	121111-21501	BOLT, FLYWHEEL	5							
8	1	119E00-21580	FLYWHEEL ASSY	1							
10	2	119865-21600	GEAR, RING Z=116	1							
11	1	119C10-21650	V-PULLEY, CRANKSHAFT	1							
12	1	119621-21681	BOLT, FLANGE 12X1.25	1							
13	1	119C10-21931	PACKING, WASHER	1							
14	1	119C10-21940	WASHER, V-PULLEY	1							
15	1	22512-040120	KEY, 4X 12	1							
16	1	119E11-22080	PISTON ASSY	3							
18	2	119E10-22500	RING SET, PISTON	3							
22	1	119E10-22300	PIN, PISTON	3							
23	1	2252-000220	RING, 22	6							
24	1	119E10-23001	ROD ASSY, CONNECTING	3							
27	2	119717-23200	BOLT, CONNECTING ROD	6							
28	1	119717-23601	METAL ASSY, CRANK PIN	3							
30	1	119717-23911	BUSH, PISTON PIN	3							1
31	1	119717-23611	METAL ASSY, PIN .25	3							2
33	1	119E11-22900	PISTON ASSY, 0.25 OS	3							3
34	2	119E10-22550	RING SET, PISTON .25	3							3

Remarks
(1) Spare parts.
(2) Under-sized (U.S.=0.25) parts.
(3) Over-sized (O.S.=0.25) parts.

Fig.10. LUB. OIL SYSTEM



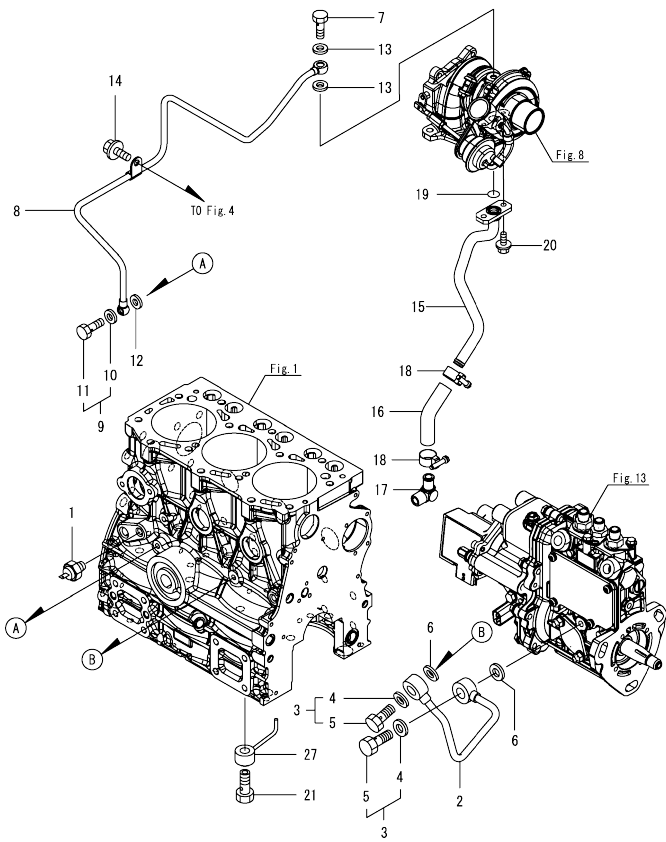
(A)=3TNV80FT-ZMTE
(B)=
(C)=

(D)=
(E)=
(F)=

No.	Lev.	Parts No.	Description	Q'ty						I	R
				(A)	(B)	(C)	(D)	(E)	(F)		
1	1	119717-33010	COOLER, OIL	1							
2	2	129508-33050	O-RING	1							
3	1	129417-33111	NUT, OIL COOLER	1							
4	1	119E11-35140	STUD, LO FILTER	1							
5	1	129006-44480	JOINT, R02	1							
6	1	119E11-49010	PIPE ASSY, COOLER IN	1							
7	2	171008-03990	CLAMP, HOSE 18.5	1							
9	2	23080-015000	CLAMP, 15	1							
10	1	129508-49040	HOSE ASSY, COOLER OUT	1							
11	2	171008-03990	CLAMP, HOSE 18.5	1							
13	2	119940-59130	TUBE, CORRUGATED 19	1							
14	2	23080-015000	CLAMP, 15	1							
15	1	171056-49120	PLUG, DRAIN R1/4	1							
16	1	119717-34801	DIPSTICK, OIL	1							
16-1	1	119E21-34800	DIPSTICK, LUB.OIL	1							N
(A=E36255)											
17	1	121520-34810	GUIDE, DIPSTICK	1							
17-1	1	129233-34810	GUIDE, DIPSTICK	1							N
(A=E36255)											
19	1	119717-32060	O-RING, P15.0	1							
20	1	119717-35080	PIPE ASSY, OIL INLET	1							
24	1	26106-060102	BOLT, M6X 10 PLATED	2							
25	1	119305-35151	FILTER ASSY, D68XL65	1							1

Remarks
(1)Spare parts.

Fig.11. LUB. OIL PIPE

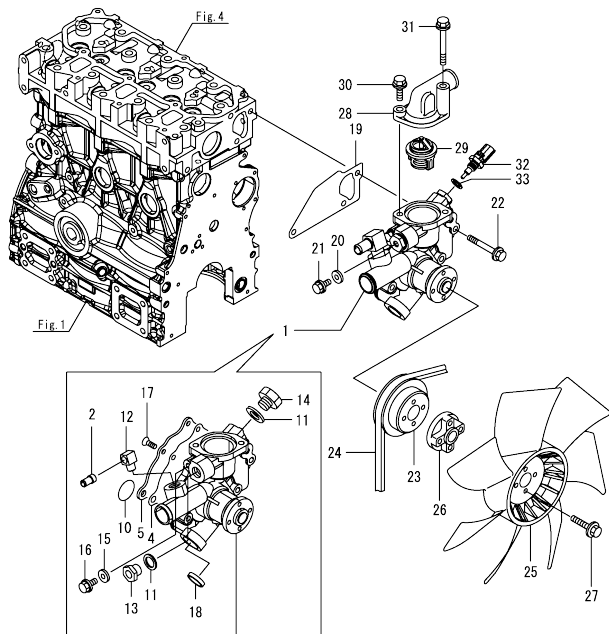


(A)=3TNV80FT-ZMTE
(B)=
(C)=

(D)=
(E)=
(F)=

No.	Lev.	Parts No.	Description	Q'ty						I	R
				(A)	(B)	(C)	(D)	(E)	(F)		
1	1	114250-39450	SWITCH, HYDRAULIC	1							
2	1	119717-39210	PIPE, PUMP	1							
3	1	129005-59830	BOLT ASSY, JOINT M8	2							
4	2	22190-080002	WASHER, SEAL 8	2							
5	2	23857-030000	BOLT, JOINT 3	2							
6	1	22190-080002	WASHER, SEAL 8	2							
7	1	121252-39150	BOLT, JOINT M10X1.5	1							
8	1	119E11-39450	PIPE ASSY, LO	1							
9	1	129005-59830	BOLT ASSY, JOINT M8	1							
10	2	22190-080002	WASHER, SEAL 8	1							
11	2	23857-030000	BOLT, JOINT 3	1							
12	1	22190-080002	WASHER, SEAL 8	1							
13	1	23414-100000	GASKET, 10X1.0	2							
14	1	26106-080122	BOLT, M8X 12 PLATED	1							
15	1	119E11-39600	PIPE, LO RETURN T/C	1							
16	1	129044-39610	JOINT, RUBBER	1							
17	1	129466-49300	ELBOW, PT3/8	1							
18	1	23000-022000	CLAMP, 22	2							
19	1	24316-000160	O-RING, 4DP16.0	1							
20	1	26106-060162	BOLT, M6X 16 PLATED	2							
21	1	119E11-39410	VALVE ASSY, CHECK	3							
27	1	119E11-39660	NOZZLE ASSY, PISTON	3							

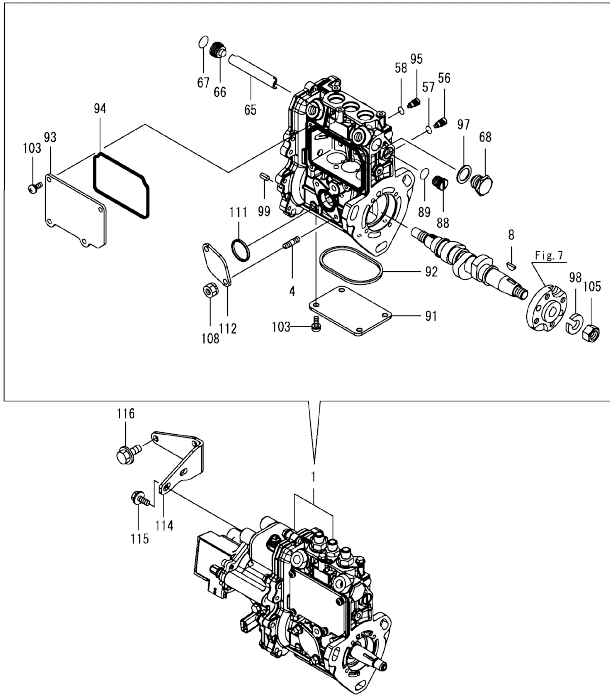
Fig.12. COOLING WATER SYSTEM



No.	Lev.	Parts No.	Description	Q'ty						I	R
				(A)	(B)	(C)	(D)	(E)	(F)		
1	1	119E11-42000	PUMP ASSY, WATER	1							
2	2	121851-11970	JOINT, PIPE 3/8	1							
4	2	119717-42031	GASKET, WATER PUMP	1							
5	2	119717-42041	COVER, WATER PUMP	1							
10	2	119C10-42320	O-RING, 2028	1							
11	2	124465-44950	GASKET, 16	2							
12	2	119751-49310	JOINT, WATER RETURN	1							
13	2	119E11-49350	JOINT, AIR DRAIN	1							
14	2	129974-49350	JOINT, SENSOR	1							
15	2	23414-080000	GASKET, 8X1.0	1							
16	2	26106-080122	BOLT, M8X 12 PLATED	1							
17	2	26577-060122	SCREW, M6X12	4							
18	2	27241-250000	PLUG, 25	1							
19	1	119717-42020	GASKET, WATER PUMP	1							
20	1	23414-080000	GASKET, 8X1.0	1							
21	1	26106-080122	BOLT, M8X 12 PLATED	1							
22	1	26106-080502	BOLT, M8X 50 PLATED	3							
23	1	119717-42350	V-PULLEY, PUMP D=100	1							
24	1	25152-003600	V-BELT, A36	1							
25	1	119717-44740	FAN, COOLING D=335X7	1							
26	1	121267-44760	SPACER, FAN 18MM	1							
27	1	26106-060302	BOLT, M6X 30 PLATED	4							
28	1	124101-49531	COVER, THERMOSTAT	1							
29	1	119717-49800	THERMOSTAT, 71C	1							
30	1	26106-080282	BOLT, M8X 28 PLATED	1							
31	1	26106-080652	BOLT, M8X 65 PLATED	1							
32	1	129927-44900	SENSOR, TEMPERATURE	1							
33	1	22190-120002	WASHER, SEAL 12	1							

N:Old $\frac{100}{100}$ New, Q:Old $\frac{100}{100}$ New, R:Old $\frac{100}{100}$ New, S:Old $\frac{100}{100}$ New, W:Add, Z:Discontinued, F:Interchangeable by set, K:Qty Change
 Copyright (C) 2018 YANMAR GLOBAL CS CO., LTD. All Rights Reserved.

Fig.13. FUEL INJECTION PUMP



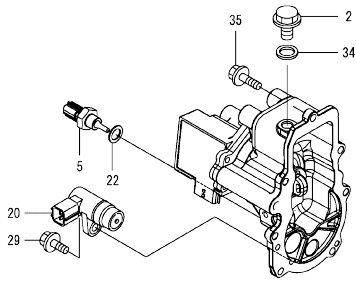
No.	Lev.	Parts No.	Description	Q'ty						I	R
				(A)	(B)	(C)	(D)	(E)	(F)		
1	1	729E33-51300	FIE ASSY	1							1
4	2	129155-51020	STUD	2							
8	2	122710-51090	KEY, FEATHER	1							
56	2	158600-51270	STOPPER, TAPPET	3							
57	2	129155-51280	O-RING, S6	3							
58	2	129155-51280	O-RING, S6	1							
65	2	129155-51400	PROTECTOR	1							
66	2	158600-51410	PLUG, DEFLIFTER M12	1							
67	2	119717-51420	O-RING	1							
68	2	158600-51420	PLUG, DEFLIFTER M16	1							
88	2	158600-51570	PLUG, RACK	1							
89	2	129155-51580	O-RING	1							
91	2	129155-51701	COVER, PUMP BOTTOM	1							
92	2	119717-51711	GASKET, PUMP	1							
93	2	119717-51750	COVER, BODY SIDE	1							
94	2	119717-51761	GASKET, PUMP COVER	1							
95	2	158600-51790	STOPPER, RACK	1							
97	2	22190-160002	WASHER, SEAL 16	1							
98	2	22217-120000	WASHER, SPRING 12	1							
99	2	22351-050010	PIN, SPRING 5.0X10	2							
103	2	26022-050122	SCREW, M5X12	8							
105	2	26716-120002	NUT, M12	1							
108	2	119717-51860	NUT, M6	2							
111	2	129155-52051	GASKET, PUMP COVER	1							
112	2	129100-52200	COVER, FEED PUMP	1							
114	1	119E11-51200	SUPPORT, FOP	1							
115	1	26106-080142	BOLT, M8X 14 PLATED	2							
116	1	26106-080202	BOLT, M8X 20 PLATED	2							

Remarks

(1)Governor(Fig.14) is incorporated in this Fuel Injection Pump(No.1).

OCD50-M04190 ENGINE
 Fig.14. GOVERNOR

OCD50-M04190 Fig.14



(A)=3TNV80FT-ZMTE
 (B)=
 (C)=

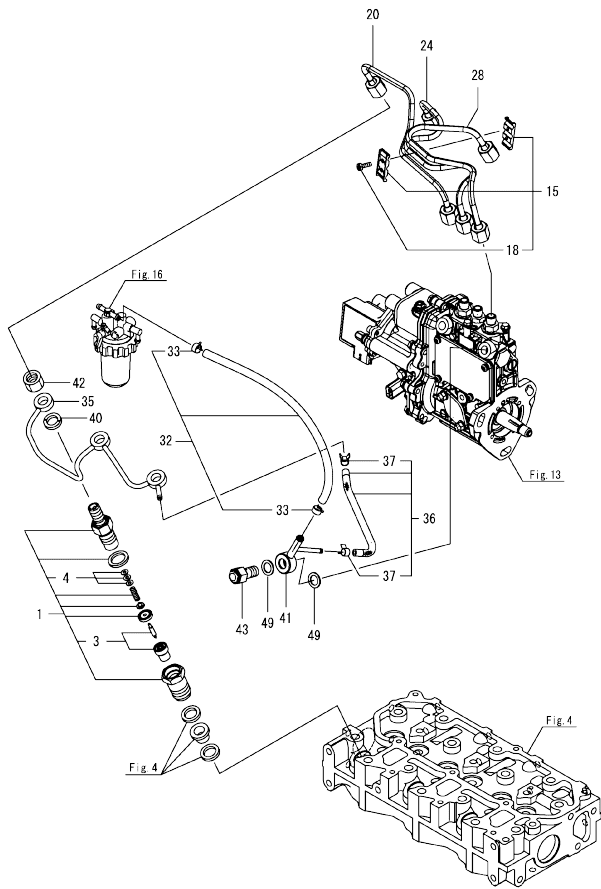
(D)=
 (E)=
 (F)=

No.	Lev.	Parts No.	Description	Q'ty					
				(A)	(B)	(C)	(D)	(E)	(F)
2	2	119717-51930	PLUG, M10	1					
5	2	119E11-39440	SENSOR, OIL TEMP	1					
20	2	158557-61720	SENSOR, ROTATION	1					
22	2	22190-120002	WASHER, SEAL 12	1					
29	2	26106-060162	BOLT, M6X 16 PLATED	1					
34	2	22190-100002	WASHER, SEAL 10	1					
35	2	26106-060202	BOLT, M6X 20 PLATED	7					

Remarks

* This figure(Governor) is incorporated in the Fuel Injection Pump(Fig.13).

Fig.15. FUEL INJECTION VALVE



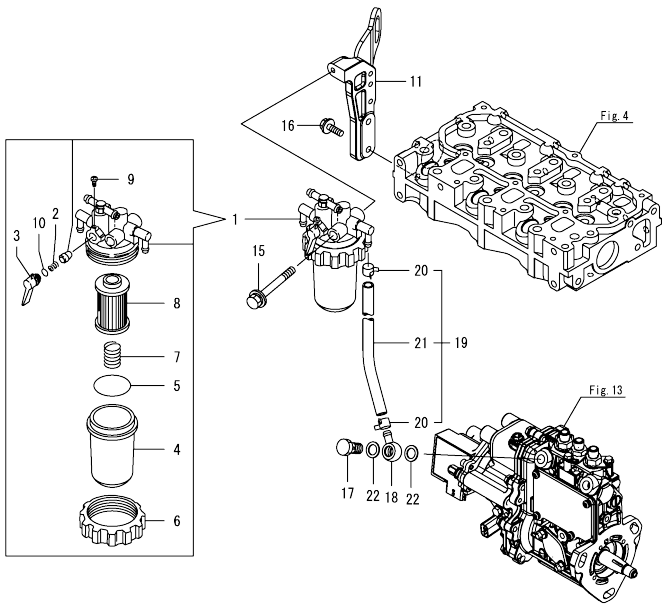
(A)=3TNV80FT-ZMTE
(B)=
(C)=

(D)=
(E)=
(F)=

No.	Lev.	Parts No.	Description	Q'ty						I	R
				(A)	(B)	(C)	(D)	(E)	(F)		
1	1	119C10-53000	VALVE ASSY,INJECTION	3							
3	2	119C10-53010	VALVE ASSY,INJECTION	3							
4	2	129901-53800	SHIM SET, ADJUSTING	3							1
15	1	129150-59120	RETAINER, PIPE	1							
18	2	129150-59131	BOLT, M4X14	2							
20	1	119E10-59810	PIPE ASSY, INJECTION	1							
24	1	119E10-59820	PIPE, INJECTION NO.2	1							
28	1	119E10-59830	PIPE, INJECTION NO.3	1							
32	1	129210-59170	HOSE ASSY, FUEL L.440	1							
33	2	124766-59050	CLAMP, HOSE 11.5	2							
35	1	119E11-59510	PIPE ASSY, FO RETURN	1							
36	1	119744-59560	HOSE ASSY, RETURN	1							
37	2	124066-59100	CLAMP, HOSE 8	2							
40	1	129901-59560	GASKET, FUEL RETURN	3							
41	1	119740-59590	JOINT, OVERFLOW	1							
42	1	119620-59700	NUT, NOZZLE RETURN	3							
43	1	119813-59950	VALVE ASSY, CHECK	1							
49	1	22190-120002	WASHER, SEAL 12	2							

Remarks
(1)Spare parts.

Fig.16. FUEL PIPE

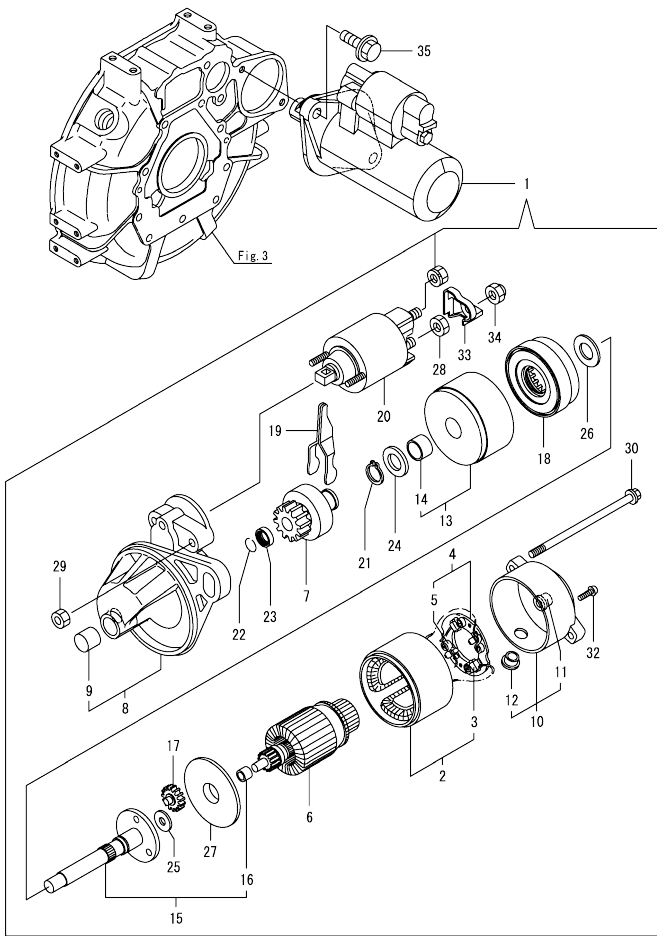


No.	Lev.	Parts No.	Description	Q'ty					
				(A)	(B)	(C)	(D)	(E)	(F)
1	1	119833-55621	FILTER ASSY, FUEL	1					
2	2	104200-55330	SPRING, FUEL VALVE	1					
3	2	119810-55340	LEVER, FUEL	1					
4	2	121254-55510	CUP, FUEL STARINER	1					
5	2	102103-55520	O-RING, FILTER	1					
6	2	110250-55610	RING, CUP RETAINING	1					
7	2	121250-55620	SPRING, ELEMENT	1					
8	2	119810-55650	ELEMENT, FUEL FILTER	1					
9	2	104200-55750	SCREW, M4	1					
10	2	24311-240100	O-RING, 1AP10A	1					
11	1	119E33-55640	BRACKET ASSY	1					
15	1	26014-080702	BOLT, M8X 70	1					
16	1	26106-080252	BOLT, M8X 25 PLATED	2					
17	1	103854-39140	BOLT, PIPE JOINT	1					
18	1	101304-59020	JOINT, PIPE 12	1					
19	1	129210-59080	HOSE ASSY, FUEL L270	1					
20	2	124766-59050	CLAMP, HOSE 11.5	2					
21	2	129136-59110	HOSE, D13/7.5X270	1					
22	1	22190-120002	WASHER, SEAL 12	2					

Fig.17. STARTER MOTOR

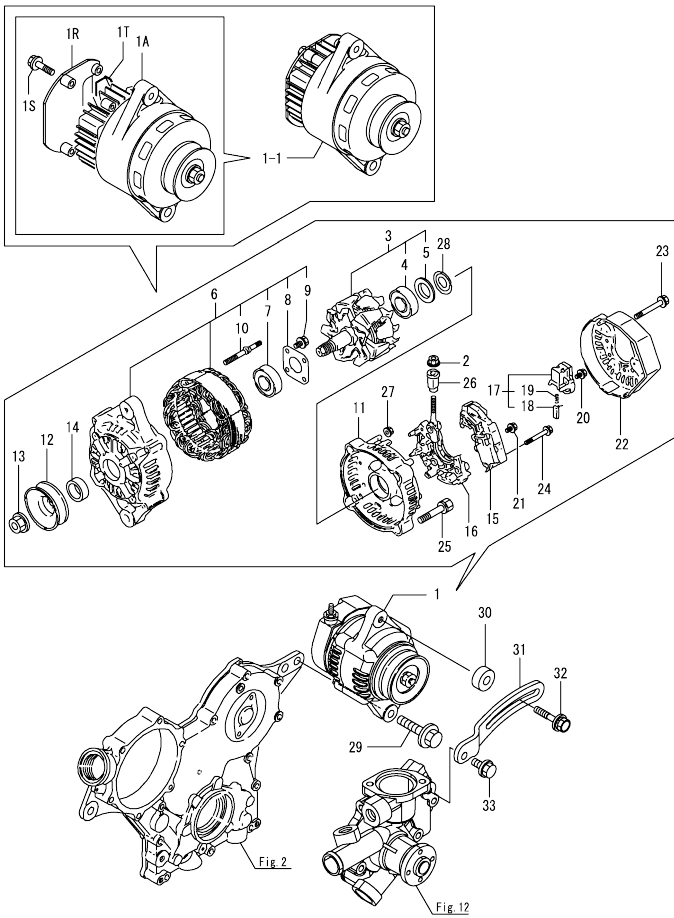
(A)=3TNV80FT-ZMTE
(B)=
(C)=

(D)=
(E)=
(F)=



No.	Lev.	Parts No.	Description	Q'ty						I	R
				(A)	(B)	(C)	(D)	(E)	(F)		
1	1	119717-77010	STARTER, P1.1	1							
2	2	X0281007750	YOKE ASSY	1							
3	3	X0280996180	STARTER KIT	2							
4	2	X0285105190	HOLDER ASSY	1							
5	3	X0285205030	SPRING	4							
6	2	X0282005991	ARMATURE ASSY	1							
7	2	X0283006960	CLUTCH	1							
8	2	X4284001590	HOUSING ASSY	1							
9	3	X9491050100	BEARING, NEEDLE	1							
10	2	X0285007030	FRAME ASSY	1							
11	3	X9491040990	BEARING	1							
12	3	X0280626010	COVER	1							
13	2	X0284105040	BEARING ASSY, SUB	1							
14	3	X9491034330	BEARING	1							
15	2	X0286105010	SHAFT ASSY, SUB	1							
16	3	X9491034320	BEARING	1							
17	2	X0286305010	GEAR	3							
18	2	X0286355010	GEAR	1							
19	2	X0287405140	LEVER	1							
20	2	X2534000090	SWITCH ASSY	1							
21	2	X9055715000	RING	1							
22	2	X9490721360	RING	1							
23	2	X0280210331	NUT	1							
24	2	X9490138110	WASHER	1							
25	2	X9490138090	WASHER	1							
26	2	X9490138100	WASHER	1							
27	2	X0284525010	PLATE	1							
28	2	X9490562360	NUT	1							
29	2	X9490560750	NUT	2							
30	2	X9490423420	BOLT, THROUGH	2							
32	2	X9490065670	SCREW, M4X6	2							
33	2	X1280330020	COVER, TERMINAL	1							
34	2	X1289510130	NUT	1							
35	1	26106-100252	BOLT, M10X 25 PLATED	2							

Fig.18. GENERATOR



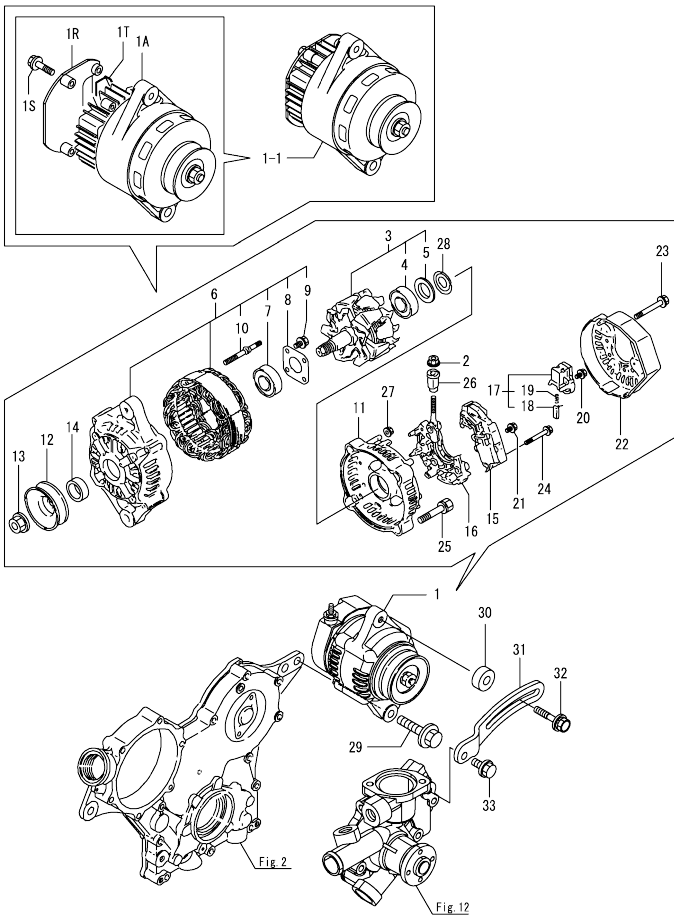
(A)=3TNV80FT-ZMTE
(B)=
(C)=

(D)=
(E)=
(F)=

No.	Lev.	Parts No.	Description	Qty						I	R	
				(A)	(B)	(C)	(D)	(E)	(F)			
1	1	129423-77210	ALTERNATOR, 12V-40A	1								
1-1	1	119128-77200 (A=E36255)	GENERATOR, 12V-40A	1								N
1A	2	119128-77220 (A=E36255)	GENERATOR ASSY	1								W
1R	2	119128-77370 (A=E36255)	COVER, GENERATOR	1								W
1S	2	119128-77380 (A=E36255)	BOLT, FLANGE	4								W
1T	2	119128-77390 (A=E36255)	COVER, GENERATOR	1								W
2	2	X9490561001 (A=E36255)	NUT	1								Z
3	2	119620-77380 (A=E36255)	ROTOR ASSY	1								Z
4	3	123501-79240 (A=E36255)	BEARING, BALL	1								Z
5	3	119620-79250 (A=E36255)	COVER, BEARING	1								Z
6	2	119620-77421 (A=E36255)	FRAME ASSY, DRIVE	1								Z
7	3	119620-79200 (A=E36255)	BEARING, BALL	1								Z
8	3	119620-79210 (A=E36255)	PLATE, RETAINER	1								Z
9	3	119620-79220 (A=E36255)	SCREW	4								Z
10	3	119620-79230 (A=E36255)	STUD	2								Z
11	2	119620-77440 (A=E36255)	FRAME ASSY, REAR	1								Z
12	2	119620-77461 (A=E36255)	PULLEY, GENERATOR	1								Z
13	2	119620-77471 (A=E36255)	NUT	1								Z
14	2	119620-77490 (A=E36255)	COLLAR	1								Z
15	2	129423-77720 (A=E36255)	REGULATOR ASSY	1								Z
16	2	119620-79260 (A=E36255)	HOLDER ASSY	1								Z
17	2	129052-79270 (A=E36255)	HOLDER ASSY, BRUSH	1								Z
18	3	119620-77480 (A=E36255)	BRUSH ASSY, SUB	2								Z
19	3	119620-79280 (A=E36255)	SPRING	2								Z
20	2	119620-79290 (A=E36255)	SCREW	6								Z
21	2	119620-79300 (A=E36255)	SCREW	1								Z

N:Old $\frac{New}{Old}$ New, Q:Old $\frac{New}{Old}$ New, R:Old $\frac{New}{Old}$ New, S:Old $\frac{New}{Old}$ New, W:Add, Z:Discontinued, F:Interchangeable by set, K:Qty Change
 ++ CONTINUE ++
 Copyright (C) 2018 YANMAR GLOBAL CS CO., LTD. All Rights Reserved.

Fig.18. GENERATOR

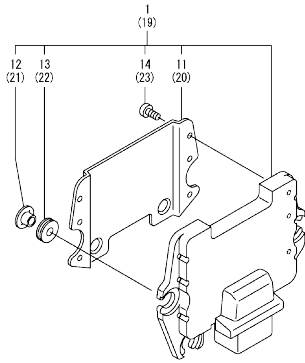


(A)=3TNV80FT-ZMTE
(B)=
(C)=

(D)=
(E)=
(F)=

No.	Lev.	Parts No.	Description	Q'ty						I	R
				(A)	(B)	(C)	(D)	(E)	(F)		
22	2	129240-79300 (A=E36255)	COVER	1							Z
23	2	119620-79310 (A=E36255)	BOLT	3							Z
24	2	119620-79320 (A=E36255)	SCREW, W/WASHER	2							Z
25	2	119620-79330 (A=E36255)	BOLT	2							Z
26	2	119620-79340 (A=E36255)	BUSH, INSULATION	1							Z
27	2	119620-79350 (A=E36255)	NUT	2							Z
28	2	119620-79360 (A=E36255)	WASHER, THRUST	1							Z
29	1	26106-100452	BOLT, M10X 45 PLATED	1							
30	1	119940-77270	SPACER, GENERATOR	1							
31	1	119717-77340	ADJUSTER, BELT	1							
32	1	129972-77341	BOLT, ADJUSTER L=50	1							
33	1	26106-080202	BOLT, M8X 20 PLATED	1							

Fig.19. ELECTRONIC CONTROL UNIT(ECU)



(A)=3TNV80FT-ZMTE
(B)=
(C)=

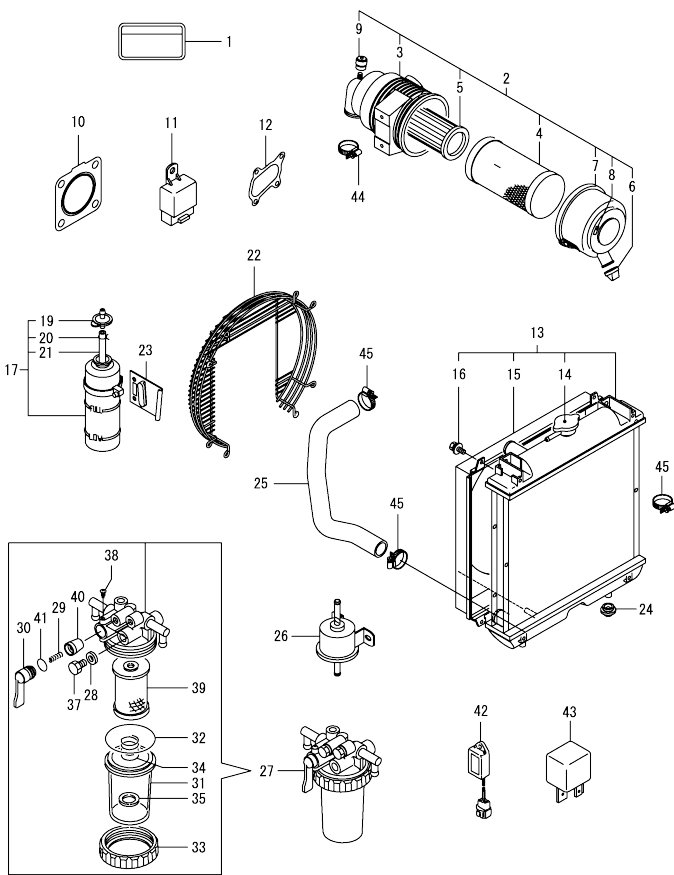
(D)=
(E)=
(F)=

No.	Lev.	Parts No.	Description	Q'ty						I	R
				(A)	(B)	(C)	(D)	(E)	(F)		
1	1	119E33-75120	ECU ASSY	1							1
11	2	129927-77600	SHIELD, ECU	1							
12	2	129927-77680	COLLAR, CONTROLLER	3							
13	2	119578-91351	RUBBER, CONTROLLER	3							
14	2	22877-500080	SCREW, 5X 8	6							
19	1	129927-75901	ECU ASSY, SERVICE	1							2
20	2	129927-77600	SHIELD, ECU	1							
21	2	129927-77680	COLLAR, CONTROLLER	3							
22	2	119578-91351	RUBBER, CONTROLLER	3							
23	2	22877-500080	SCREW, 5X 8	6							

Remarks
 (1)Eco ECU
 This part cannot be ordered.
 Replace the part using a Service ECU with the proper engine information installed.
 (2)Service ECU
 If the proper information is not installed, the engine will not operate.
 To install proper information, go to an authorized distributor.

OCD50-M04190 ENGINE
Fig.20. ACCESSORY

OCD50-M04190 Fig.20



No.	Lev.	Parts No.	Description	Qty						I	R
				(A)	(B)	(C)	(D)	(E)	(F)		
1	1	114110-07761	LABEL, FUEL CAUTION	1							
2	1	119910-12601 (A=E36255)	CLEANER ASSY, AIR	1							Z
3	2	119910-12510 (A=E36255)	BODY ASSY, CLEANER	1							Z
4	2	119808-12520 (A=E36255)	ELEMENT, OUTER	1							Z
5	2	129051-12530 (A=E36255)	ELEMENT, INNER	1							Z
6	2	119808-12540 (A=E36255)	VALVE, UNLODER	1							Z
7	2	119866-12541 (A=E36255)	COVER ASSY, CLEANER	1							Z
8	2	129612-12650 (A=E36255)	LABEL, MARKING	1							Z
9	2	126650-12680 (A=E36255)	INDICATOR	1							Z
10	1	119515-13200	GASKET, SILENCER	1							
11	1	172B02-17150	RELAY, CA TYPE C	2							
12	1	129A01-18090	GASKET, TURBINE OUT	1							
13	1	129004-44500	RADIATOR ASSY	1							
14	2	129107-44590	CAP, RADIATOR	1							
15	2	119802-44600	SHROUD, FAN	1							
16	2	26014-060122	BOLT, M6X 12	4							
17	1	124450-44510	TANK ASSY, SUB	1							
19	2	124450-44530	CAP, SUB TANK	1							
20	2	124450-44560	CLAMP, PIPE	1							
21	2	23061-070230	PIPE, 7X 230	1							
22	1	119802-44570	GUARD, FAN	1							
23	1	121256-44600	BRACKET, SUB TANK	1							
24	1	119255-44660	RUBBER, RADIATOR	2							
25	1	119802-49020	PIPE, WATER B	1							
26	1	119225-52102	PUMP, FUEL FEED	1							
27	1	129335-55701	SEPARATOR ASSY, WATER	1							
28	2	104200-55321	VALVE, TAPER	1							
29	2	104200-55330	SPRING, FUEL VALVE	1							
30	2	104200-55341	HANDLE, COCK	1							
31	2	124064-55510	CUP, FUEL STARINER	1							
32	2	102103-55520	O-RING, FILTER	1							
33	2	110250-55610	RING, CUP RETAINING	1							
34	2	121257-55720	SPRING, ELEMENT	1							
35	2	121257-55731	FLOAT	1							
37	2	101720-55750	PLUG, HEXAGON M6	2							
38	2	104200-55750	SCREW, M4	1							
39	2	171081-55910	FILTER, FUEL 100M	1							
40	2	23418-060000	GASKET, 6X1.0	2							
41	2	24311-240100	O-RING, 1AP10A	1							
42	1	129155-77925	TIMER, SECTION 4	1							
43	1	129927-77920	RELAY, ISO 70A	1							
44	1	23000-054000	CLAMP, 54	2							
45	1	23010-038000	CLAMP, 38	4							

N:Old $\frac{100}{100}$ New, Q:Old $\frac{100}{100}$ New, R:Old $\frac{100}{100}$ New, S:Old $\frac{100}{100}$ New, W:Add, Z:Discontinued, F:Interchangeable by set, K:Qty Change
Copyright (C) 2018 YANMAR GLOBAL CS CO., LTD. All Rights Reserved.

Parts No. Index

Parts No.	Fig. No.	Ref. No.
101304-59020	16	18
101720-55750	20	37
102103-55520	16	5
	20	32
103854-39140	16	17
104200-55321	20	28
104200-55330	16	2
	20	29
104200-55341	20	30
104200-55750	16	9
	20	38
105010-11490	4	3
105311-01090	1	4
105425-01690	3	11
110250-55610	16	6
	20	33
114110-07761	20	1
114250-39450	11	1
119100-11330	4	47
119128-77200	18	1 -1
119128-77220	18	1 A
119128-77370	18	1 R
119128-77380	18	1 S
119128-77390	18	1 T
119131-18320	8	3
119225-52102	20	26
119255-44660	20	24
119285-01990	1	6
119285-11990	4	11
119305-35151	10	25
119515-13200	20	10
119578-91351	19	13
	22	
119600-11460	4	2
119620-01750	3	4
119620-02020	1	7
119620-11280	4	26
119620-14200	7	1
119620-59700	15	42
119620-77380	18	3
119620-77421	18	6
119620-77440	18	11
119620-77461	18	12
119620-77471	18	13
119620-77480	18	18
119620-77490	18	14
119620-79200	18	7
119620-79210	18	8
119620-79220	18	9
119620-79230	18	10

Parts No.	Fig. No.	Ref. No.
119620-79250	18	5
119620-79260	18	16
119620-79280	18	19
119620-79290	18	20
119620-79300	18	21
119620-79310	18	23
119620-79320	18	24
119620-79330	18	25
119620-79340	18	26
119620-79350	18	27
119620-79360	18	28
119621-21681	9	12
119623-01250	1	5
119624-32040	2	18
119660-01911	2	17
119717-01501	2	1
119717-01521	2	5
119717-01570	2	2
119717-01601	3	2
119717-01720	3	8
119717-01750	2	16
119717-01770	3	10
119717-01800	2	7
119717-02411	1	10
119717-02930	1	23
119717-03031	4	36
119717-03070	4	37
		38
119717-11131	4	15
119717-11190	4	17
119717-11200	4	21
119717-11240	4	22
119717-11260	4	25
119717-11331	4	48
119717-11340	4	18
119717-11350	4	19
119717-11650	4	27
119717-11800	4	63
119717-13110	6	2
119717-14400	7	2
119717-14581	7	3
119717-21200	9	4
119717-23200	9	27
119717-23601	9	28
119717-23611	9	31
119717-23911	9	30
119717-25050	7	9
119717-25101	7	10
119717-25911	7	16
119717-25930	7	15

Parts No.	Fig. No.	Ref. No.
119717-32050	2	19
119717-32060	10	19
119717-32080	2	9
119717-32100	2	8
119717-32110	2	13
119717-32120	2	14
119717-33010	10	1
119717-34801	10	16
119717-35080	10	20
119717-39210	11	2
119717-42020	12	19
119717-42031	12	4
119717-42041	12	5
119717-42350	12	23
119717-44740	12	25
119717-49800	12	29
119717-51150	7	17
119717-51420	13	67
119717-51711	13	92
119717-51750	13	93
119717-51761	13	94
119717-51860	13	108
119717-51930	14	2
119717-77010	17	1
119717-77340	18	31
119717-77801	4	56
119717-77820	4	57
119718-11310	4	45
119734-01590	2	3
119740-59590	15	41
119744-59560	15	36
119751-49310	12	12
119802-03100	4	39
119802-03110	4	40
119802-03121	4	41
119802-03131	4	42
119802-03141	4	43
119802-13661	6	4
119802-32130	2	15
119802-44570	20	22
119802-44600	20	15
119802-49020	20	25
119808-12520	20	4
119808-12540	20	6
119810-01200	1	26
119810-02941	1	34
119810-55340	16	3
119810-55650	16	8
119813-59950	15	43
119833-55621	16	1

Parts No.	Fig. No.	Ref. No.
119865-21600	9	10
119866-12541	20	7
119910-12510	20	3
119910-12601	20	2
119940-59130	10	13
119940-77270	18	30
119C10-21650	9	11
119C10-21931	9	13
119C10-21940	9	14
119C10-42320	12	10
119C10-53000	15	1
119C10-53010	15	3
119E00-01560	1	1
119E00-21580	9	8
119E10-01330	1	27
119E10-11100	4	13
119E10-11110	4	14
119E10-21700	9	1
119E10-22300	9	22
119E10-22500	9	18
119E10-22550	9	34
119E10-23001	9	24
119E10-59810	15	20
119E10-59820	15	24
119E10-59830	15	28
119E11-03050	5	7
119E11-11320	4	46
119E11-11390	4	35
119E11-11740	4	4
119E11-12010	5	1
119E11-13100	6	1
119E11-22080	9	16
119E11-22900	9	33
119E11-35140	10	4
119E11-39410	11	21
119E11-39440	14	5
119E11-39450	11	8
119E11-39600	11	15
119E11-39660	11	27
119E11-42000	12	1
119E11-49010	10	6
119E11-49350	12	13
119E11-51200	13	114
119E11-59510	15	35
119E21-34800	10	16 -1
119E33-03000	5	4
119E33-03010	5	5
119E33-07920	4	58
119E33-12070	5	8
119E33-55640	16	11

Parts No. Index

Parts No.	Fig. No.	Ref. No.
119E33-75120	19	1
121111-21501	9	7
121250-55620	16	7
121252-39150	11	7
121254-55510	16	4
121256-44600	20	23
121257-55720	20	34
121257-55731	20	35
121267-44760	12	26
121520-34810	10	17
121850-51960	2	20
121851-11970	12	2
122710-51090	13	8
123501-79240	18	4
124060-01050	1	11
124064-55510	20	31
124066-59100	15	37
124085-02220	3	5
124101-49531	12	28
124160-01751	2	28
	4	34
124160-01910	1	12
124450-44510	20	17
124450-44530	20	19
124450-44560	20	20
124465-44950	12	11
124766-59050	15	33
	16	20
126650-12680	20	9
129001-32320	2	11
129001-32330	2	12
129004-44500	20	13
129005-59830	11	3
		9
129006-44480	10	5
129044-39610	11	16
129051-12530	20	5
129052-79270	18	17
129100-01580	3	1
	9	2
129100-52200	13	112
129107-44590	20	14
129136-59110	16	21
129150-11230	4	28
129150-11750	4	30
129150-25301	7	14
129150-59120	15	15
129150-59131	15	18
129155-51020	13	4
129155-51280	13	57

Parts No.	Fig. No.	Ref. No.
129155-51280	13	58
129155-51400	13	65
129155-51580	13	89
129155-51701	13	91
129155-52051	13	111
129155-77925	20	42
129210-59080	16	19
129210-59170	15	32
129233-34810	10	17 -1
129240-79300	18	22
129335-55701	20	27
129410-03990	5	6
129417-33111	10	3
129418-18320	6	5
129423-77210	18	1
129423-77720	18	15
129466-49300	11	17
129508-11180	4	16
129508-33050	10	2
129508-49040	10	10
129612-12650	20	8
129900-32130	2	10
129901-11450	4	1
129901-53800	15	4
129901-59560	15	40
129927-44900	12	32
129927-75901	19	19
129927-77600	19	11
		20
129927-77680	19	12
		21
129927-77920	20	43
129972-77341	18	32
129974-49350	12	14
129A01-18011	8	1
129A01-18080	8	2
129A01-18090	20	12
129E00-13610	6	3
158557-61720	14	20
158600-51270	13	56
158600-51410	13	66
158600-51420	13	68
158600-51570	13	88
158600-51790	13	95
171008-03990	10	7
		11
171056-49120	10	15
171081-55910	20	39
172B02-17150	20	11
22190-080002	11	4

Parts No.	Fig. No.	Ref. No.
22190-080002	11	6
		10
		12
22190-100002	14	34
22190-120002	12	33
	14	22
	15	49
	16	22
22190-160002	3	14
	13	97
22217-120000	13	98
22242-000120	4	31
22252-000220	9	23
22351-050010	13	99
22351-060012	4	20
22512-040120	9	5
		15
22857-500100	4	49
		50
22857-500160	4	51
22877-500080	19	14
		23
23000-022000	11	18
23000-048000	5	2
23000-054000	5	3
		9
	20	44
23010-038000	20	45
23061-070230	20	21
23080-015000	10	9
		14
23414-080000	12	15
		20
23414-100000	11	13
23418-060000	20	40
23857-030000	11	5
		11
23876-005000	4	12
23876-030000	2	6
24311-000320	2	29
	4	52
24311-240100	16	10
	20	41
24316-000160	11	19
25152-003600	12	24
26014-060122	20	16
26014-080702	16	15
26022-050122	13	103
26106-060102	10	24
26106-060122	2	21

Parts No.	Fig. No.	Ref. No.
26106-060122	7	8
26106-060162	2	22
	11	20
	14	29
26106-060202	4	53
	14	35
26106-060302	12	27
26106-060352	7	13
26106-060402	2	23
		24
26106-060602	2	25
26106-060652	2	26
26106-060752	4	54
26106-060852	4	55
26106-080122	3	15
	11	14
	12	16
		21
26106-080142	13	115
26106-080202	13	116
	18	33
26106-080252	16	16
26106-080282	12	30
26106-080302	3	16
26106-080402	4	33
26106-080452	3	17
26106-080502	3	18
	12	22
26106-080652	12	31
26106-080752	4	62
26106-100252	17	35
26106-100452	18	29
26206-100252	3	6
26206-100302	3	7
26306-080002	2	27
	8	4
26577-060122	12	17
26716-120002	13	105
26979-050162	4	32
27241-120000	1	13
27241-250000	12	18
719717-02901	1	28
719717-02911	1	31
719734-01500	2	4
729E33-51300	13	1
X0280210331	17	23
X0280626010	17	12
X0280996180	17	3
X0281007750	17	2
X0282005991	17	6

Parts No. Index

Parts No.	Fig. No.	Ref. No.
X0283006960	17	7
X0284105040	17	13
X0284525010	17	27
X0285007030	17	10
X0285105190	17	4
X0285205030	17	5
X0286105010	17	15
X0286305010	17	17
X0286355010	17	18
X0287405140	17	19
X1280330020	17	33
X1289510130	17	34
X2534000090	17	20
X4284001590	17	8
X9055715000	17	21
X9490065670	17	32
X9490138090	17	25
X9490138100	17	26
X9490138110	17	24
X9490423420	17	30
X9490560750	17	29
X9490561001	18	2
X9490562360	17	28
X9490721360	17	22
X9491034320	17	16
X9491034330	17	14
X9491040990	17	11
X9491050100	17	9

Parts No.	Fig. No.	Ref. No.
-----------	----------	----------

Parts No.	Fig. No.	Ref. No.
-----------	----------	----------

Parts No.	Fig. No.	Ref. No.
-----------	----------	----------