

0CW10-M16300EN

PREFACE

1. This parts catalog is the 1st edition of 4TNV98T-NDI for Dieci Co.,Ltd.

Pub.No. : 000Y00W1630

Published : February,2007

Directions for the Parts Catalog.

1. The parts stipulated in this Parts Catalog are not necessarily standard equipped parts.
2. Parts may change without prior notice.
3. The following is an example of the Parts Catalog format.

OCF10-G21601		29. FUEL INJECTION PUMP(W/BOOST)									
REF.	LEV.	PARTS NO.	DESCRIPTION	(A)	(B)	(C)	(D)	(E)	(F)	I	R
1	1	729595-51390	FUEL INJECTION PUMP	1	1	1	1	1			1
1-1	1	729595-51391	FUEL INJECTION PUMP	1	1	1	1	1		N	1
		(A=E00185)	(B=E00200)								
3	2	26022-060162	SCREW M 6X 16	9	9	9	9	9			
3-1	2	26022-060162	SCREW M 6X 16	4	4	4	4	4		K	
		(A=E00156)	(B=E00156)	(C=E00156)	(D=E00156)	(E=E00156)					
4	2	129470-51040	CAMSHAFT	1	1	1	1	1			
5	2	122710-51050	BEARING, ROLLER	2	2	2	2	2			
6	2	129470-51060	RETAINER	1	1	1	1	1			

Remarks
(1) BOOST COMPEMSATOR TYPE. OPTIONAL PART, TO E00155,(4JH-DT, 4JH-DTZ

① Ref. No.

The Ref. No. listed may not be in accordance with the illustration Ref. No.

(Ex.) Illustration No.

List Ref No.

1 1 (Before change) → 1-1 (After change)

For interchangeable symbols N, R and K, illustrations for new parts may be abbreviated.

② Lev. (Level)

Level indication

The numbers below indicate the level of relativity towards the main part.

1 ---- Main parts (Assembly parts)

2 ---- Sub component included in " 1 ".

3 ---- Sub component included in " 2 ".

Note) Parts that are not for sale are partially illustrated but not listed.

③ Interchangeability Mark

When a part change takes place, one of the following interchangeability symbols is indicated beside the part.

Symbol	Interchangeability	Contents note
N	Old $\begin{matrix} \leftarrow \text{Yes} \\ \text{No} \rightarrow \end{matrix}$ New	New Part is interchangeable for Old Part but Old Part is not interchangeable for New Part.
Q	Old $\begin{matrix} \leftarrow \text{No} \\ \text{Yes} \rightarrow \end{matrix}$ New	New Part is not interchangeable for Old Part but Old Part is interchangeable for New Part.
R	Old $\begin{matrix} \leftarrow \text{Yes} \\ \text{Yes} \rightarrow \end{matrix}$ New	New/ Old Parts are both interchangeable.
S	Old $\begin{matrix} \leftarrow \text{No} \\ \text{No} \rightarrow \end{matrix}$ New	New/ Old Parts are both not interchangeable.
W		Part newly added.
Z		Part discontinued.
F		Not interchangeable by a single part but interchangeable together with related parts.
K		Changes only for used parts quantities.

④ Effective Machine No.

When a part changes, the effective Machine No. will be indicated in the (A)-(F) column.

Product Symbol	Product No.	Product Symbol	Product No.
C	Clutch No. Compressor No.	F	Machine No. (Agricultural Equip.)
D	Drive No.	M	Machine No.
E	Engine No.		

Note 1) A date may follow the symbol. (Ex.) 1996.01

Note 2) "XXXXX" and "ZZZZZ" are for parts that could not be predicted or for engine models that could not be identified.

Note 3) (A=E00185) is the E (Engine Serial Number) for the column (A) model (in this case 4JH-DT) after the parts design change.

⑤ Remarks Mark

Figures or alphabets (symbols) are entered in the remarks column.

The comments (remarks) on parts that are indicated at the bottom of the illustration are the same symbols as those stated above.

Contents

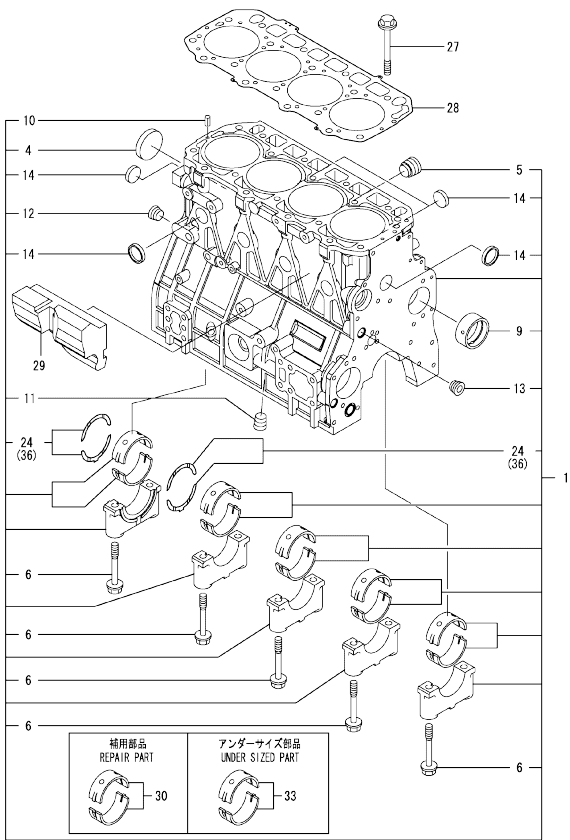
0CW10-M16300

Fig. No.	Fig. Name	Fig. No.	Fig. Name
4	TNV98T-NDI		
1.	CYLINDER BLOCK		
2.	GEAR HOUSING		
3.	FLYWHEEL HOUSING & OIL SUMP		
4.	CYLINDER HEAD & BONNET		
5.	SUCTION MANIFOLD		
6.	EXHAUST MANIFOLD		
7.	CAMSHAFT & DRIVING GEAR		
8.	TURBINE		
9.	CRANKSHAFT & PISTON		
10.	LUB.OIL SYSTEM		
11.	LUB.OIL LINE		
12.	COOLING WATER SYSTEM		
13.	FUEL INJECTION PUMP		
14.	GOVERNOR		
15.	FUEL INJECTION VALVE		
16.	FUEL LINE		
17.	STARTING MOTOR		
20.	(17A)STARTING MOTOR		
18.	GENERATOR		
19.	GASKET SET		

Fig.1. CYLINDER BLOCK

(A)=4TNV98T-NDI
(B)=
(C)=

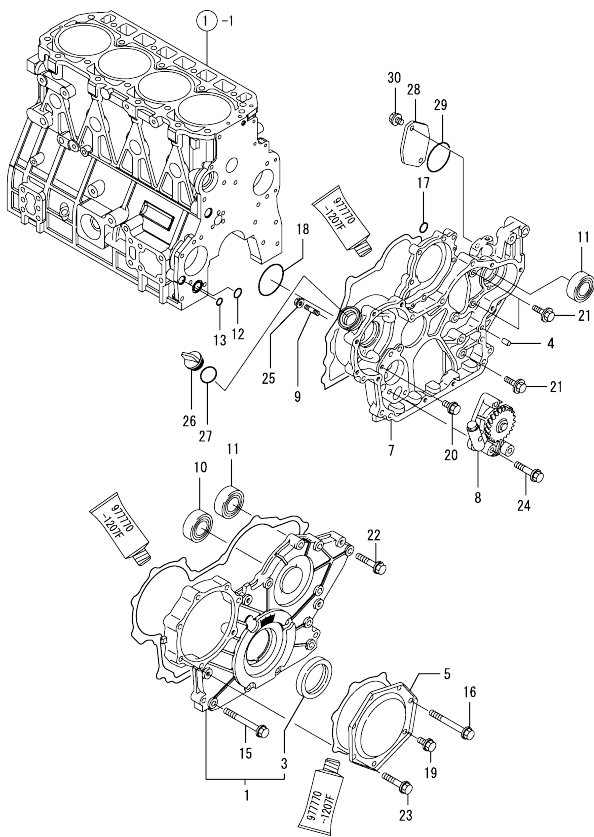
(D)=
(E)=
(F)=



No.	Lev.	Parts No.	Description	Q'ty						I	R
				(A)	(B)	(C)	(D)	(E)	(F)		
1	1	729908-01560	BLOCK ASSY, CYLINDER	1							
4	2	129900-01250	PLUG, DISH TYPE 55	1							
5	2	171051-01921	PLUG, NPTF1	1							
6	2	129900-02020	BOLT, METAL CAP	10							
9	2	129900-02410	BUSH, CAMSHAFT	1							
10	2	22351-060012	PIN, SPRING 6.0X12	2							
11	2	23876-030000	PLUG, R03	1							
12	2	23876-030000	PLUG, R03	1							
13	2	23876-030000	PLUG, R03	1							
14	2	27241-300000	PLUG 30	8							
24	2	129900-02931	BEARING ASSY, THRUST	2							
27	1	129900-01200	BOLT, CYLINDER HEAD	18							
28	1	129907-01331	GASKET, HEAD	1							
29	1	129907-01190	SPACER	1							
30	1	729900-02801	BEARING, MAIN	5							1
33	1	129900-02341	BEARING ASSY, MAIN	5							2
36	1	129900-02941	BEARING, THRUST 0.25	2							3

Remarks
(1) REPAIR PART.
(2) UNDER-SIZED(U.S=0.25)PART.
(3) OVER-SIZED(O.S=0.25)PART.

Fig.2. GEAR HOUSING

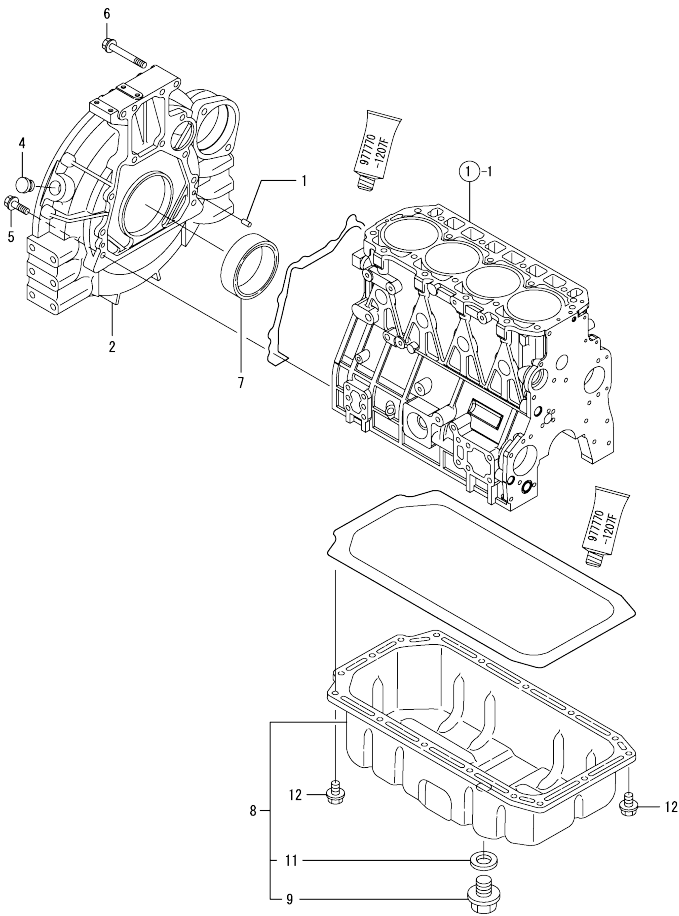


(A)=4TNV98T-NDI
(B)=
(C)=

(D)=
(E)=
(F)=

No.	Lev.	Parts No.	Description	Q'ty						I	R
				(A)	(B)	(C)	(D)	(E)	(F)		
1	1	729907-01540	COVER ASSY,GEAR CASE	1							
3	2	129900-01780	SEAL, OIL	1							
4	1	129100-01580	PIN, PARALLEL 8X16	4							
5	1	129900-01740	COVER	1							
7	1	129933-01500	CASE, GEAR	1							
8	1	129908-32060	PUMP ASSY, OIL	1							
9	1	26216-100302	STUD, M10X 30	4							
10	1	129900-14140	BEARING, BALL 6205	1							
11	1	129900-26250	BEARING, BALL 6206C3	2							
12	1	129900-32030	O-RING, P20	1							
13	1	129900-32040	O-RING, P14	1							
15	1	129001-91810	BOLT, M8X70	6							
16	1	129001-91810	BOLT, M8X70	1							
17	1	24311-000070	O-RING, 1AP7.0	1							
18	1	24351-030750	O-RING, 1A3075	1							
19	1	26106-080162	BOLT, M8X 16 PLATED	1							
20	1	26106-080162	BOLT, M8X 16 PLATED	1							
21	1	26106-080202	BOLT, M8X 20 PLATED	3							
22	1	26106-080402	BOLT, M8X 40 PLATED	5							
23	1	26106-080402	BOLT, M8X 40 PLATED	5							
24	1	26106-080452	BOLT, M8X 45 PLATED	3							
25	1	26306-100002	NUT, M10	4							
26	1	124160-01751	CAP, FILLER	1							
27	1	24311-000320	O-RING, 1AP32.0	1							
28	1	121023-26070	COVER, PUMP	1							
29	1	24321-000850	O-RING, 1AG85.0	1							
30	1	26106-100202	BOLT, M10X 20 PLATED	2							

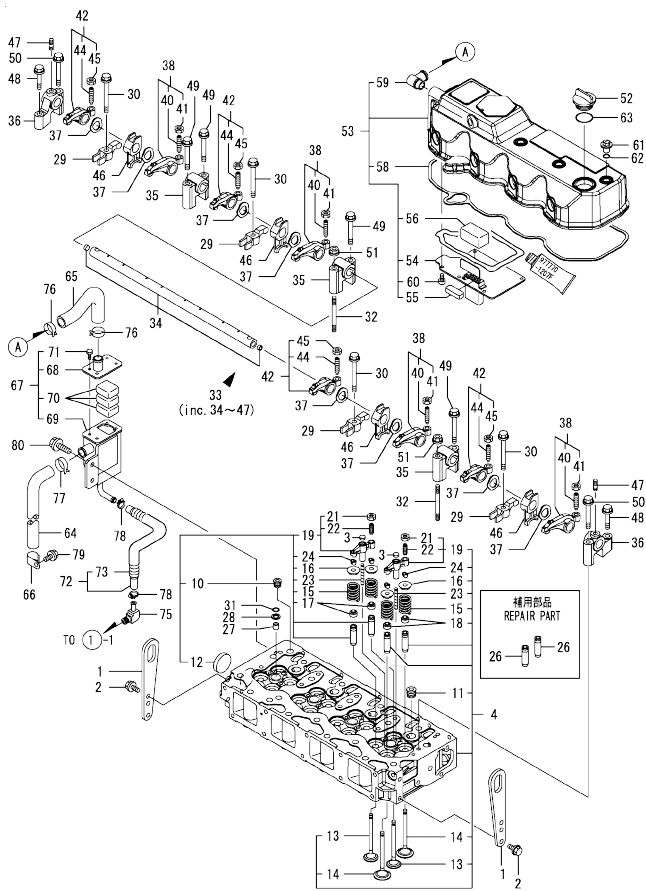
Fig.3. FLYWHEEL HOUSING & OIL SUMP



No.	Lev.	Parts No.	Description	Q'ty					
				(A)	(B)	(C)	(D)	(E)	(F)
1	1	129100-01580	PIN, PARALLEL 8X16	2					
2	1	129900-01620	HOUSING, FLYWHEEL	1					
4	1	119620-01750	CAP	1					
5	1	26206-100352	BOLT, M10X 35 PLATED	9					
6	1	26206-100702	BOLT, M10X 70 PLATED	4					
7	1	124411-01780	SEAL, HTC95X115X12	1					
8	1	129916-01710	OIL PAN ASSY	1					
9	2	119640-01640	PLUG, DRAIN M22	1					
11	2	22190-220002	WASHER, SEAL 22	1					
12	1	26106-080122	BOLT, M8X 12 PLATED	16					

N:Old $\frac{100}{100}$ New, Q:Old $\frac{100}{100}$ New, R:Old $\frac{100}{100}$ New, S:Old $\frac{100}{100}$ New, W:Add, Z:Discontinued, F:Interchangeable by set, K:Q'ty Change
 Copyright (C) YANMAR CO., LTD. All Rights Reserved.

Fig.4. CYLINDER HEAD & BONNET



(A)=4TNV98T-NDI
(B)=
(C)=

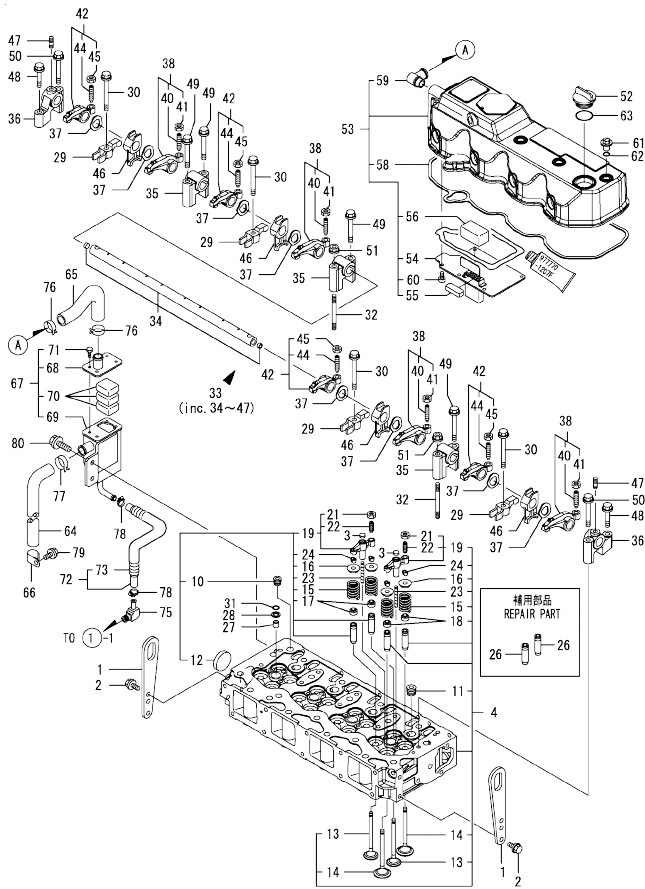
(D)=
(E)=
(F)=

No.	Lev.	Parts No.	Description	Q'ty						I	R
				(A)	(B)	(C)	(D)	(E)	(F)		
1	1	129907-07900	LIFTER, ENGINE	2							
2	1	26106-080162	BOLT, M8X 16 PLATED	4							
3	1	123907-11550	SEAT, VALVE BRIDGE	8							
4	1	129908-11700	HEAD ASSY, CYLINDER	1							
10	2	23876-020000	PLUG, R02	1							
11	2	23876-030000	PLUG, R03	4							
12	2	27241-400000	PLUG, 40	1							
13	2	129907-11100	VALVE, SUCTION	8							
14	2	129907-11110	VALVE, EXHAUST	8							
15	2	129907-11120	SPRING, VALVE	16							
16	2	119620-11180	RETAINER, SPRING	16							
17	2	119803-11340	SEAL, VALVE STEM	8							
18	2	124160-11340	SEAL, VALVE STEM	8							
19	2	129907-11510	BRIDGE ASSY, VALVE	8							
21	3	129150-11750	NUT, M8	8							
22	3	123907-11830	ADJUSTER	8							
23	2	123907-11820	GUIDE, BRIDGE	8							
24	2	27310-070001	COTTER, 7	16							
26	1	129907-11800	GUIDE, VALVE	16							1
27	1	119802-11870	PROTECTOR, NOZZLE	4							
28	1	119625-11880	SEAT, NOZZLE	4							
29	1	129907-11910	RETAINER, NOZZLE	4							
30	1	129907-11950	BOLT, M8X75	4							
31	1	24311-000120	O-RING, 1AP12.0	4							
32	1	119593-11301	BOLT, STUD M8X80	2							
33	1	129907-11341	SHAFT ASSY, ROCKER	1							
34	2	129907-11250	SHAFT, ROCKER ARM	1							
35	2	129907-11260	SUPPORT, ROCKER ARM	3							
36	2	129907-11270	SUPPORT, ROCKER ARM	2							
37	2	123907-11280	WASHER	8							
38	2	129907-11650	ARM ASSY, ROCKER	4							
40	3	129150-11230	SCREW, VALVE ADJUST	4							
41	3	129150-11750	NUT, M8	4							
42	2	129907-11660	ARM ASSY, ROCKER	4							
44	3	129150-11230	SCREW, VALVE ADJUST	4							
45	3	129150-11750	NUT, M8	4							
46	2	129907-11920	RETAINER, NOZZLE	4							
47	2	26226-080222	STUD, M8X 22	2							
48	1	26106-080402	BOLT, M8X 40 PLATED	2							
49	1	26106-080602	BOLT, M8X 60 PLATED	4							
50	1	26106-080602	BOLT, M8X 60 PLATED	2							
51	1	26306-080002	NUT, M8	2							
52	1	124160-01751	CAP, FILLER	1							
53	1	129933-11320	BONNET ASSY, HEAD	1							
54	2	129907-03011	PLATE, BAFFLE	1							
55	2	129907-03061	BAFFLE, BREATHER	1							
56	2	129907-03070	BAFFLE, BREATHER	1							
58	2	129933-11310	GASKET, BONNET	1							
59	2	119100-11330	ELBOW, BREATHER	1							
60	2	22857-500100	SCREW, 5X10	6							
61	1	124160-11360	KNOB	4							

Remarks
(1) REPAIR PART.

N:Old $\frac{100}{100}$ New, Q:Old $\frac{100}{100}$ New, R:Old $\frac{100}{100}$ New, S:Old $\frac{100}{100}$ New, W:Add, Z:Discontinued, F:Interchangeable by set, K:Q'ty Change
 ++ CONTINUE ++
 Copyright (C) YANMAR CO., LTD. All Rights Reserved.

Fig.4. CYLINDER HEAD & BONNET



(A)=4TNV98T-NDI
(B)=
(C)=

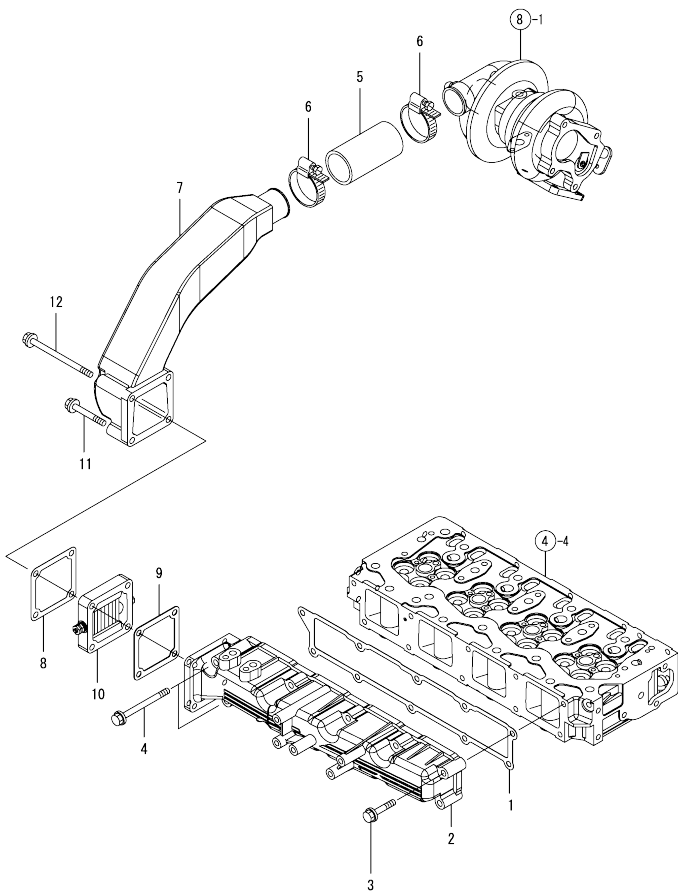
(D)=
(E)=
(F)=

No.	Lev.	Parts No.	Description	Q'ty						I	R	
				(A)	(B)	(C)	(D)	(E)	(F)			
62	1	24311-000120	O-RING, 1AP12.0							4		
63	1	24311-000320	O-RING, 1AP32.0							1		
64	1	119006-03090	HOSE, BREATHER							1		
65	1	129908-03099	HOSE, BREATHER							1		
66	1	129150-03100	RETAINER, PIPE							1		
67	1	129908-03209	BREATHER ASSY							1		
68	2	129908-03219	COVER, BREATHER							1		
69	2	129908-03229	BREATHER							1		
70	2	123901-03240	FILTER							3		
71	2	26116-050102	BOLT, M5X 10 PLATED							4		
72	1	129935-03260	HOSE ASSY, RETURN							1		
73	2	129935-03270	TUBE, CORRUGATED							1		
75	1	123901-03280	ELBOW, PT3/8-10							1		
76	1	129410-03990	CLAMP, HOSE 21.5							2		
77	1	129960-03990	CLAMP, HOSE 19.8							1		
78	1	23000-022000	CLAMP, 22							2		
79	1	26106-080122	BOLT, M8X 12 PLATED							1		
80	1	26106-080142	BOLT, M8X 14 PLATED							2		

Remarks
(1) REPAIR PART.

N:Old $\frac{100}{100}$ New, Q:Old $\frac{100}{100}$ New, R:Old $\frac{100}{100}$ New, S:Old $\frac{100}{100}$ New, W:Add, Z:Discontinued, F:Interchangeable by set, K:Qty Change
Copyright (C) YANMAR CO., LTD. All Rights Reserved.

Fig.5. SUCTION MANIFOLD



(A)=4TNV98T-NDI
(B)=
(C)=

(D)=
(E)=
(F)=

No.	Lev.	Parts No.	Description	Q'ty						I	R
				(A)	(B)	(C)	(D)	(E)	(F)		
1	1	129907-12110	GASKET, MANIFOLD	1							
2	1	129944-12110	MANIFOLD, AIR INTAKE	1							
3	1	26106-080452	BOLT, M8X 45 PLATED	8							
4	1	26106-080802	BOLT, M8X 80 PLATED	2							
5	1	123951-18220	JOINT, RUBBER	1							
6	1	23000-054000	CLAMP, 54	2							
7	1	129935-18350	DUCT, AIR	1							
8	1	119129-77020	GASKET	1							
9	1	121850-77021	GASKET, AIR HEATER	1							
10	1	119005-77050	HEATER, AIR	1							
11	1	26106-080702	BOLT, M8X 70 PLATED	2							
12	1	26106-080902	BOLT, M8X 90 PLATED	2							

Fig.6. EXHAUST MANIFOLD

(A)=4TNV98T-NDI
(B)=
(C)=

(D)=
(E)=
(F)=

No.	Lev.	Parts No.	Description	Q'ty					
				(A)	(B)	(C)	(D)	(E)	(F)
1	1	129935-13100	MANIFOLD, EXHAUST	1					
2	1	129900-13251	GASKET, EXH.MANIFOLD	1					
3	1	123900-13630	BOLT, M8X80	8					
4	1	129418-18320	BOLT, STUD M8X20	4					
5	1	129930-13201	GASKET, SILENCER	1					

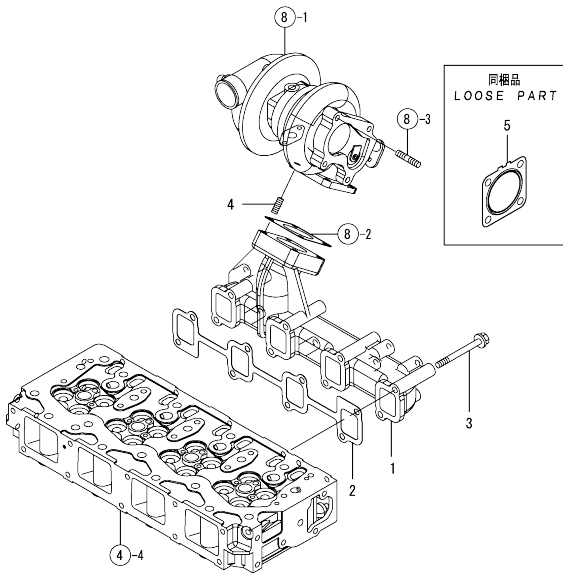
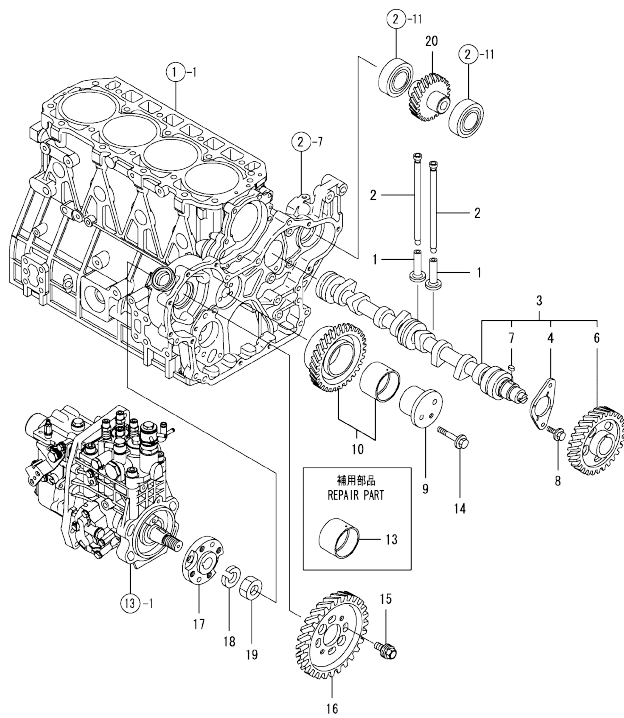


Fig.7. CAMSHAFT & DRIVING GEAR



(A)=4TNV98T-NDI
(B)=
(C)=

(D)=
(E)=
(F)=

No.	Lev.	Parts No.	Description	Q'ty						I	R
				(A)	(B)	(C)	(D)	(E)	(F)		
1	1	129150-14200	TAPPET	8							
2	1	129907-14400	PUSH-ROD	8							
3	1	129908-14590	CAMSHAFT ASSY	1							
4	2	129150-02450	BEARING, THRUST	1							
6	2	129900-14110	GEAR, CAMSHAFT	1							
7	2	22512-070140	KEY, 7X 14	1							
8	1	26106-080162	BOLT, M8X 16 PLATED	2							
9	1	123900-25060	SHAFT, IDLE GEAR	1							
10	1	129900-25110	GEAR ASSY, IDLE	1							
13	1	129150-25920	BUSH, IDLE GEAR	1							1
14	1	26106-080552	BOLT, M8X 55 PLATED	3							
15	1	129953-25300	BOLT	4							
16	1	129907-25900	GEAR, PUMP	1							
17	1	158563-51150	FLANGE	1							
18	1	22217-180000	WASHER, SPRING 18	1							
19	1	26776-180002	NUT, LOCK M18	1							
20	1	129900-26030	GEAR ASSY, PUMP	1							

Remarks
(1) REPAIR PART.

N:Old $\frac{100}{100}$ New, Q:Old $\frac{100}{100}$ New, R:Old $\frac{100}{100}$ New, S:Old $\frac{100}{100}$ New, W:Add, Z:Discontinued, F:Interchangeable by set, K:Q'ty Change
Copyright (C) YANMAR CO., LTD. All Rights Reserved.

Fig.8. TURBINE

(A)=4TNV98T-NDI
(B)=
(C)=

(D)=
(E)=
(F)=

No.	Lev.	Parts No.	Description	Q'ty					
				(A)	(B)	(C)	(D)	(E)	(F)
1	1	129935-18010	TURBOCHARGER, RHF5	1					
2	1	129472-18090	GASKET	1					
3	1	119131-18320	BOLT, STUD M8X22	4					
4	1	26306-080002	NUT, M8	4					

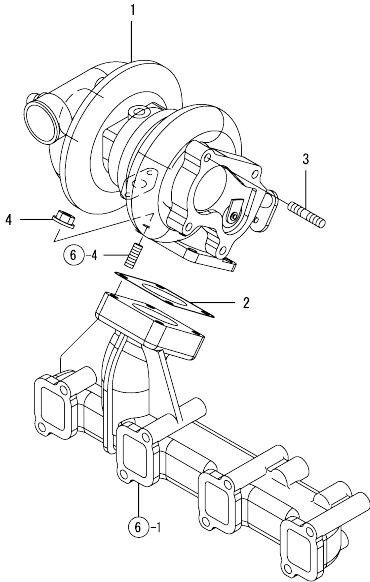
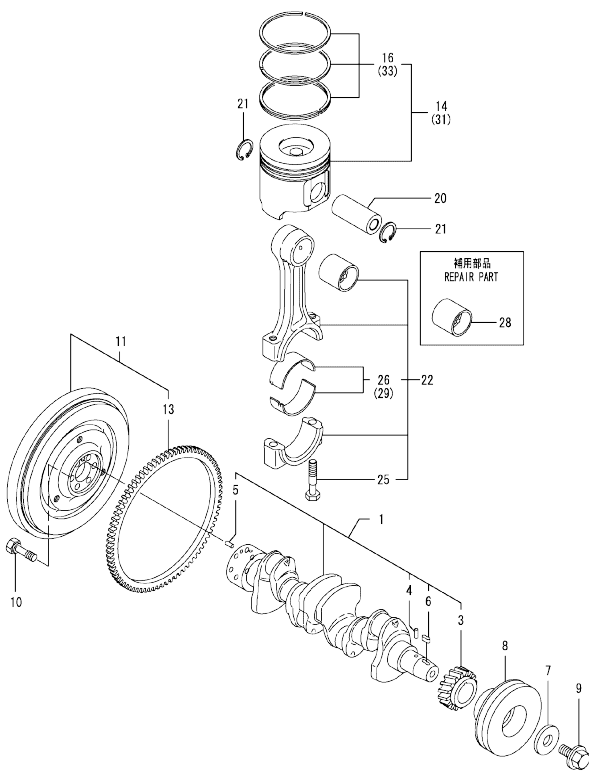


Fig.9. CRANKSHAFT & PISTON



(A)=4TNV98T-NDI
(B)=
(C)=

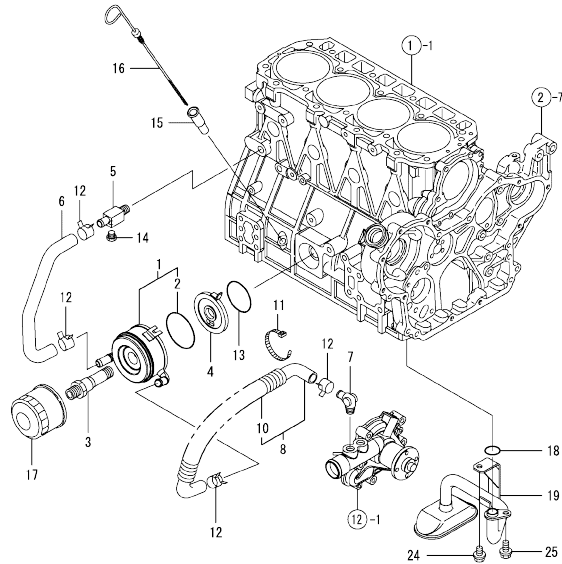
(D)=
(E)=
(F)=

No.	Lev.	Parts No.	Description	Q'ty						I	R
				(A)	(B)	(C)	(D)	(E)	(F)		
1	1	129908-21100	CRANKSHAFT ASSY	1							
3	2	129900-21220	GEAR, CRANKSHAFT	1							
4	2	121850-21290	PIN	1							
5	2	121850-21920	PIN, PARALLEL 10X22	1							
6	2	22512-070140	KEY, 7X 14	1							
7	1	129900-21640	WASHER	1							
8	1	129907-21660	V-PULLEY, CRANK 130	1							
9	1	121850-21680	BOLT	1							
10	1	121850-21130	BOLT, FLYWHEEL	6							
11	1	129953-21570	FLYWHEEL ASSY	1							
13	2	129900-21600	GEAR, RING	1							
14	1	129908-22080	PISTON ASSY	4							
16	2	129907-22050	RING SET, PISTON	4							
20	1	120130-22301	PIN, PISTON	4							
21	1	22252-000300	RING, 30	8							
22	1	129900-23001	ROD ASSY, CONNECTING	4							
25	2	129900-23200	BOLT, CONNECTING ROD	8							
26	2	129900-23601	BEARING, CRANK PIN	4							
28	1	129900-23911	BEARING, PISTON PIN	4							1
29	1	129900-23611	BEARING ASSY, 0.25US	4							2
31	1	729908-22900	PISTON ASSY, 0.25 OS	4							3
33	2	729907-22950	RING SET, 0.25 OS	4							3

Remarks

- (1) REPAIR PART.
- (2) UNDER-SIZED(U.S=0.25)PART.
- (3) OVER-SIZED(O.S=0.25)PART.

Fig.10. LUB.OIL SYSTEM



(A)=4TNV98T-NDI
(B)=
(C)=

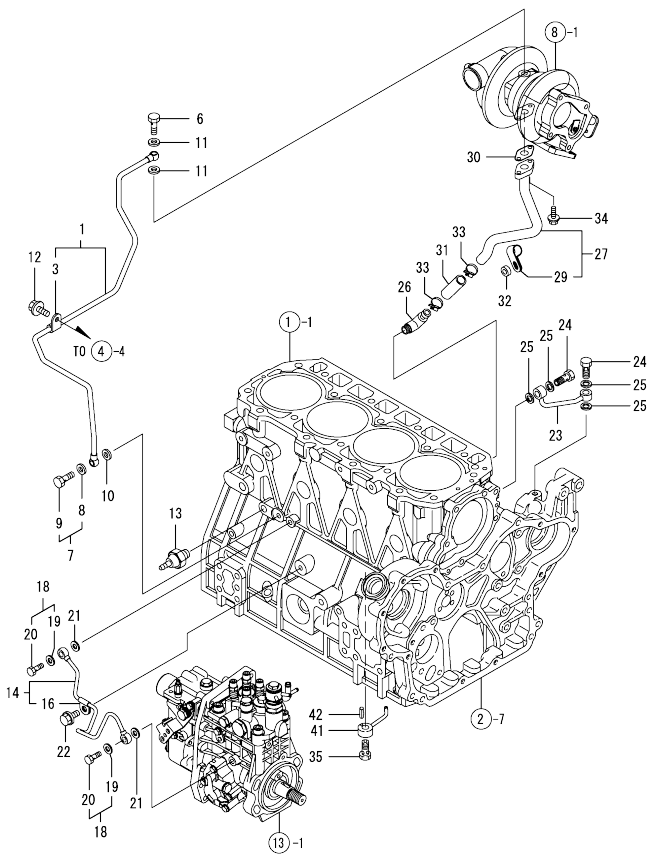
(D)=
(E)=
(F)=

No.	Lev.	Parts No.	Description	Q'ty						I	R
				(A)	(B)	(C)	(D)	(E)	(F)		
1	1	129908-33010	COOLER ASSY, OIL	1							
2	2	123912-33050	O-RING	1							
3	1	123912-33100	BOLT, COOLER	1							
4	1	129908-33101	BRACKET, OIL COOLER	1							
5	1	129006-44480	JOINT	1							
6	1	129908-49060	HOSE, WATER	1							
7	1	129466-49300	ELBOW, PT3/8	1							
8	1	123910-49600	HOSE ASSY WATER	1							
10	2	123910-49610	TUBE, CORRUGATED	1							
11	1	121750-59890	BAND, NYLON	1							
12	1	23000-025000	CLAMP, 25	4							
13	1	24321-000600	O-RING, 1AG60.0	1							
14	1	171056-49120	PLUG, DRAIN R1/4	1							
15	1	121520-34810	GUIDE, DIPSTICK	1							
16	1	129953-34830	DIPSTICK	1							
17	1	129150-35153	FILTER ASSY, D80X80L	1							1
18	1	129900-32030	O-RING, P20	1							
19	1	129953-35000	PIPE ASSY, OIL INLET	1							
24	1	26106-080122	BOLT, M8X 12 PLATED	1							
25	1	26106-080162	BOLT, M8X 16 PLATED	1							

Remarks
(1) REPAIR PART.

N:Old $\frac{100}{100}$ New, Q:Old $\frac{100}{100}$ New, R:Old $\frac{100}{100}$ New, S:Old $\frac{100}{100}$ New, W:Add, Z:Discontinued, F:Interchangeable by set, K:Qty Change
Copyright (C) YANMAR CO., LTD. All Rights Reserved.

Fig.11. LUB.OIL LINE

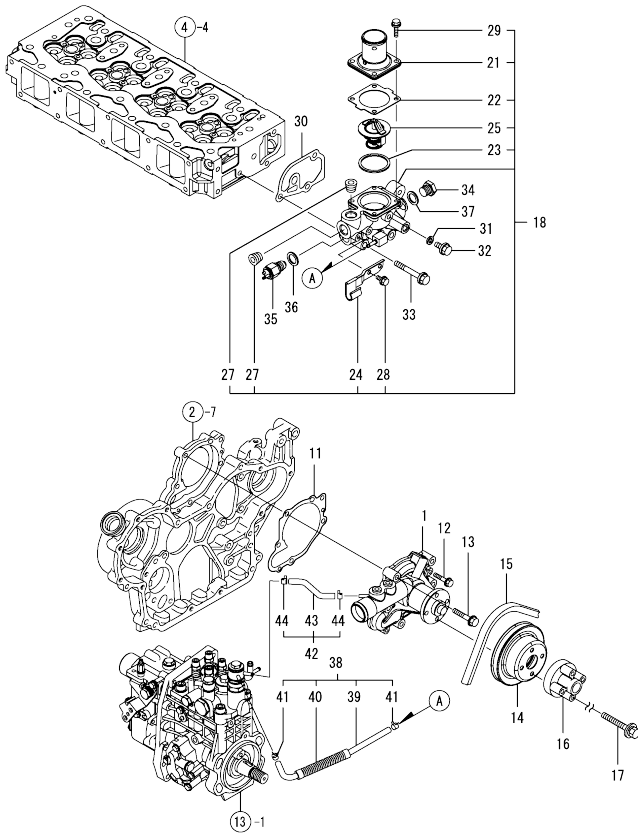


(A)=4TNV98T-NDI
(B)=
(C)=

(D)=
(E)=
(F)=

No.	Lev.	Parts No.	Description	Q'ty						I	R
				(A)	(B)	(C)	(D)	(E)	(F)		
1	1	129935-39040	PIPE ASSY, OIL	1							
3	2	124223-39900	RETAINER	1							
6	1	121252-39150	BOLT, JOINT M10X1.5	1							
7	1	129005-59830	BOLT ASSY, JOINT M8	1							
8	2	22190-080002	WASHER, SEAL 6	1							
9	2	23857-030000	BOLT, JOINT 3	1							
10	1	22190-080002	WASHER, SEAL 6	1							
11	1	23414-100000	GASKET, 10X1.0	2							
12	1	26106-080122	BOLT, M8X 12 PLATED	1							
13	1	114250-39450	SWITCH, HYDRAULIC	1							
14	1	129907-39061	PIPE ASSY, OIL	1							
16	2	123907-39500	RETAINER, PIPE	1							
18	1	129005-59830	BOLT ASSY, JOINT M8	2							
19	2	22190-080002	WASHER, SEAL 6	2							
20	2	23857-030000	BOLT, JOINT 3	2							
21	1	22190-080002	WASHER, SEAL 6	2							
22	1	26106-080122	BOLT, M8X 12 PLATED	1							
23	1	129930-39050	PIPE, OIL	1							
24	1	105010-39140	BOLT, PIPE JOINT	2							
25	1	22190-080002	WASHER, SEAL 6	4							
26	1	124070-13300	ELBOW, PT3/8	1							
27	1	129935-39610	PIPE, OIL	1							
29	2	123910-39850	RETAINER	1							
30	1	129908-39690	GASKET	1							
31	1	123901-39820	HOSE, LO RETURN	1							
32	1	106500-44810	SPACER, PULLEY	1							
33	1	23000-025000	CLAMP, 25	2							
34	1	26106-060162	BOLT, M6X 16 PLATED	2							
35	1	129908-39410	VALVE ASSY, CHECK	4							
41	1	119000-39650	NOZZLE, COOLING	4							
42	1	22351-030010	PIN, SPRING 3.0X10	4							

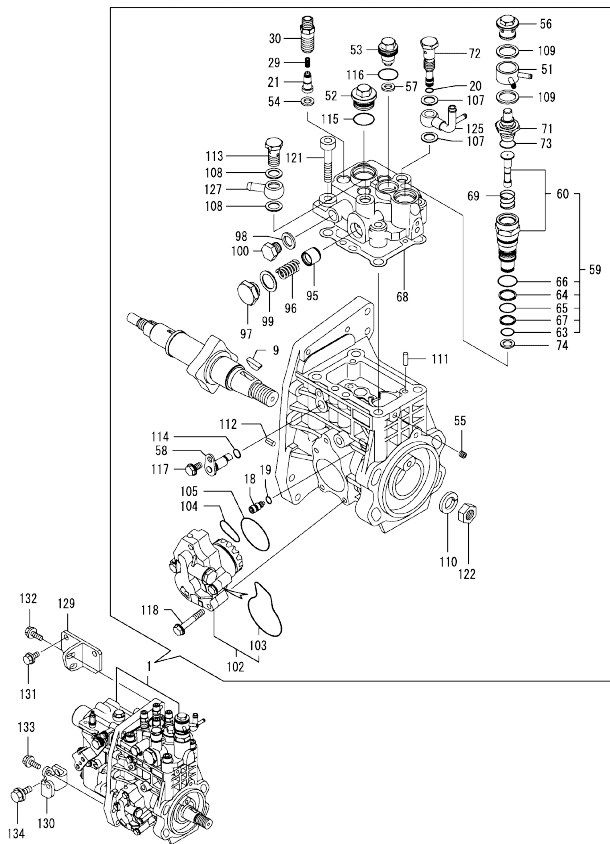
Fig.12. COOLING WATER SYSTEM



No.	Lev.	Parts No.	Description	Qty						I	R
				(A)	(B)	(C)	(D)	(E)	(F)		
1	1	129907-42000	PUMP ASSY, WATER	1							
11	1	129900-42020	GASKET, WATER PUMP	1							
12	1	26106-060302	BOLT, M6X 30 PLATED	2							
13	1	26106-080552	BOLT, M8X 55 PLATED	5							
14	1	129900-42450	V-PULLEY, C.W.PUMP	1							
15	1	25132-004150	V-BELT, A41.5	1							
16	1	119141-44760	SPACER, FAN	1							
17	1	26106-080552	BOLT, M8X 55 PLATED	4							
18	1	129907-49800	CASE ASSY, THERMOSTAT	1							
21	2	129916-49530	COVER, THERMOSTAT	1							
22	2	121850-49540	GASKET, THERMOSTAT	1							
23	2	121850-49550	GASKET, THERMOSTAT	1							
24	2	129907-49730	RETAINER, PIPE	1							
25	2	121850-49810	THERMOSTAT, 71C	1							
27	2	23875-030000	PLUG, R03	2							
28	2	26106-060122	BOLT, M6X 12 PLATED	1							
29	2	26106-060202	BOLT, M6X 20 PLATED	4							
30	1	129900-49870	GASKET, THERMOSTAT	1							
31	1	23414-080000	GASKET, 8X1.0	1							
32	1	26106-080122	BOLT, M8X 12 PLATED	1							
33	1	26106-080602	BOLT, M8X 60 PLATED	3							
34	1	121450-42450	PLUG, M16	1							
35	1	121250-44901	SWITCH, THERMO 110	1							
36	1	124465-44950	GASKET, 16	1							
37	1	124465-44950	GASKET, 16	1							
38	1	129907-49610	HOSE ASSY, WATER	1							
39	2	129907-49710	HOSE, WATER	1							
40	2	129907-49750	TUBE, CORRUGATED	1							
41	2	124722-59050	CLAMP, HOSE 9	2							
42	1	129907-49620	HOSE ASSY, WATER	1							
43	2	129907-49720	HOSE, WATER	1							
44	2	124722-59050	CLAMP, HOSE 9	2							

N:Old $\frac{New}{Old}$ New, Q:Old $\frac{New}{Old}$ New, R:Old $\frac{New}{Old}$ New, S:Old $\frac{New}{Old}$ New, W:Add, Z:Discontinued, F:Interchangeable by set, K:Qty Change
 Copyright (C) YANMAR CO., LTD. All Rights Reserved.

Fig.13. FUEL INJECTION PUMP

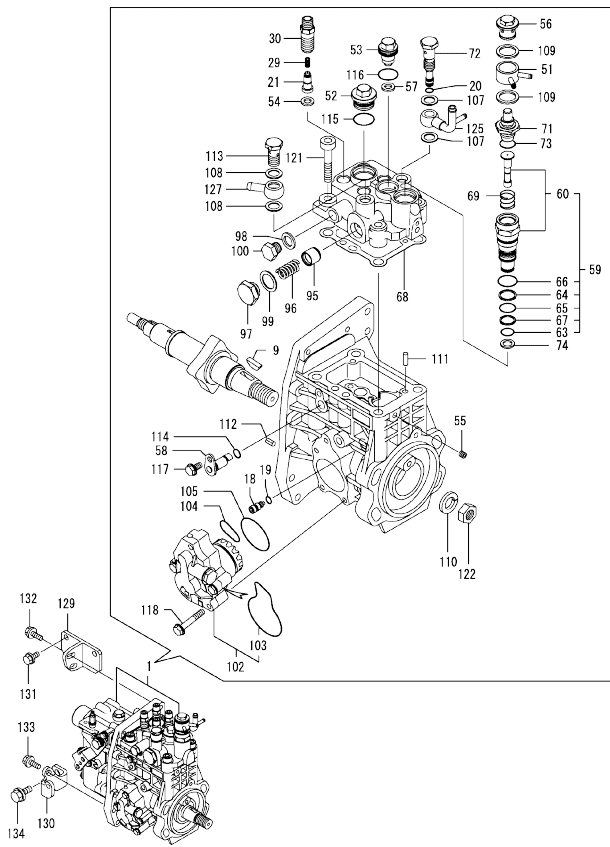


Remarks
 (1) GOVERNOR ASSY(FIG.14) IS
 INCORPORATED IN THIS FUEL
 INJECTION PUMP.(REF.NO.1).

No.	Lev.	Parts No.	Description	Q'ty						I	R
				(A)	(B)	(C)	(D)	(E)	(F)		
1	1	729908-51310	FIE ASSY	1							1
9	2	144626-51090	FEATHER KEY, 5X19	1							
18	2	158600-51270	STOPPER, TAPPET	1							
19	2	158563-51281	O-RING, 4D S6	1							
20	2	158563-51281	O-RING, 4D S6	1							
21	2	158560-51300	VALVE ASSY, DELIVERY	4							
29	2	158563-51330	SPRING, DELIVERY	4							
30	2	129907-51340	HOLDER, DELIVERY	4							
51	2	158553-51551	JOINT, COOLING WATER	1							
52	2	158601-51550	PLUG, M22	1							
53	2	129907-51560	PLUG, M16	1							
54	2	158552-51570	GASKET, PLUG	4							
55	2	158557-51570	PLUG, RACK	1							
56	2	158601-51570	PLUG	1							
57	2	129906-51580	GASKET, PLUG	1							
58	2	158552-51580	LIFTER, LINK	1							
59	2	119802-51590	TIMER ASSY	1							
60	3	119802-51600	TIMER ASSY	1							
63	3	158553-51670	O-RING	1							
64	3	119802-51680	RING, BACKUP	1							
65	3	119802-51690	O-RING	1							
66	3	24356-010200	O-RING, 4D1020	1							
67	3	24372-000150	RING, BACK UP T2P15	1							
68	2	158560-51600	GASKET	1							
69	2	158553-51630	SPRING, TIMER	1							
71	2	158553-51640	THERMOELEMENT	1							
72	2	158601-51650	JOINT, OVER FLOW	1							
73	2	158553-51660	O-RING, P14	1							
74	2	158553-51680	GASKET, TIMER	1							
95	3	158601-51770	PISTON, ACCUMULATOR	1							
96	3	158552-51781	SPRING, ACCUMULATOR	1							
97	3	158601-51790	PLUG	1							
98	3	22190-120002	WASHER, SEAL 12	1							
99	3	22190-180002	WASHER, SEAL 18	1							
100	3	23887-120002	PLUG, 12	1							
102	2	158552-52100	PUMP ASSY, FUEL FEED	1							
103	3	158552-52500	O-RING	1							
104	2	158552-52310	O-RING	1							
105	2	158552-52400	O-RING, 4E S42	1							
107	2	22190-120002	WASHER, SEAL 12	2							
108	2	22190-120002	WASHER, SEAL 12	2							
109	2	22190-180002	WASHER, SEAL 18	2							
110	2	22217-180000	WASHER, SPRING 18	1							
111	2	22312-050140	PIN, PARALLEL M5X14	2							
112	2	22351-050010	PIN, SPRING 5.0X10	2							
113	2	23857-060000	BOLT, JOINT 6	1							
114	2	24311-000070	O-RING, 1AP7.0	1							
115	2	24356-010200	O-RING, 4D1020	1							
116	2	24356-020210	O-RING, 4D2021	1							
117	2	26106-060102	BOLT, M6X 10 PLATED	1							
118	2	26106-060352	BOLT, M6X 35 PLATED	4							

N:Old $\frac{New}{Old}$ New, Q:Old $\frac{New}{Old}$ New, R:Old $\frac{New}{Old}$ New, S:Old $\frac{New}{Old}$ New, W:Add, Z:Discontinued, F:Interchangeable by set, K:Q'ty Change
 ++ CONTINUE ++
 Copyright (C) YANMAR CO., LTD. All Rights Reserved.

Fig.13. FUEL INJECTION PUMP



(A)=4TNV98T-NDI
(B)=
(C)=

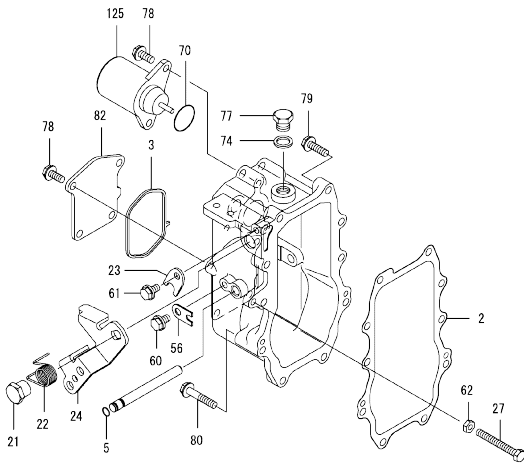
(D)=
(E)=
(F)=

No.	Lev.	Parts No.	Description	Q'ty						I	R
				(A)	(B)	(C)	(D)	(E)	(F)		
121	2	26450-100452	BOLT, M10X 45	4							
122	2	26776-180002	NUT, LOCK M18	1							
125	2	158552-51670	JOINT, OVER FLOW	1							
127	2	129916-59020	JOINT, PIPE 12	1							
129	1	129907-01950	RETAINER, PUMP	1							
130	1	129907-01960	RETAINER, PUMP	1							
131	1	26106-080162	BOLT, M8X 16 PLATED	2							
132	1	26106-080222	BOLT, M8X 22 PLATED	2							
133	1	26106-080222	BOLT, M8X 22 PLATED	1							
134	1	26106-100202	BOLT, M10X 20 PLATED	1							

Remarks
(1) GOVERNOR ASSY(FIG.14) IS INCORPORATED IN THIS FUEL INJECTION PUMP.(REF.NO.1).

0CW10-M16300 4TNV98T-NDI
 Fig.14. GOVERNOR

0CW10-M16300 Fig.14



(A)=4TNV98T-NDI
 (B)=
 (C)=

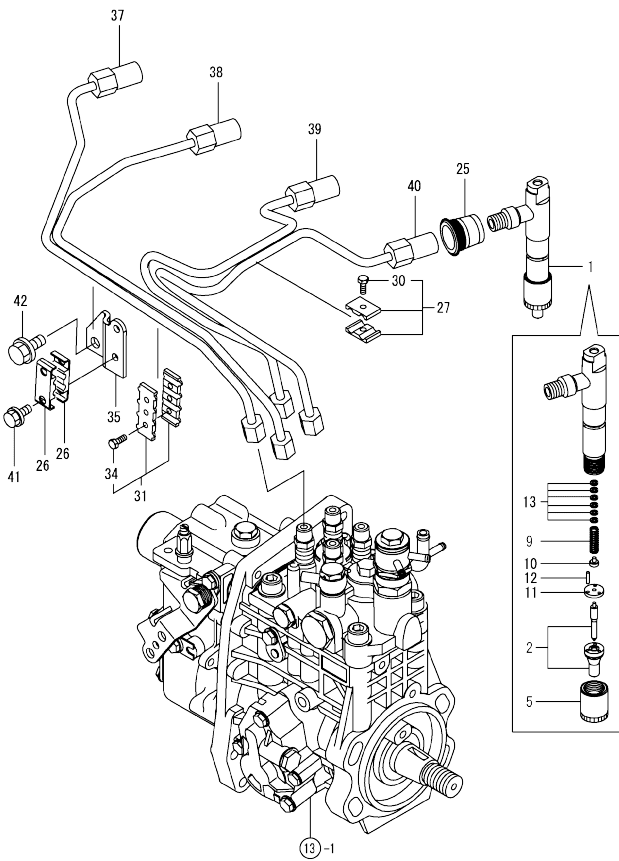
(D)=
 (E)=
 (F)=

No.	Lev.	Parts No.	Description	Q'ty						I	R
				(A)	(B)	(C)	(D)	(E)	(F)		
2	2	158560-61050	GASKET	1							
3	2	158560-61071	GASKET	1							
5	2	129155-51280	O-RING, S6	1							
21	2	129255-61410	NUT, M8	1							
22	2	119807-61420	SPRING, RETURN	1							
23	2	158560-61430	STOPPER, SHAFT	1							
24	2	158560-61442	LEVER, REGULATOR	1							
27	2	129155-61460	BOLT, LIMITING	1							
56	2	119660-61901	STOPPER, SHAFT	1							
60	2	26106-060102	BOLT, M6X 10 PLATED	1							
61	2	26106-060102	BOLT, M6X 10 PLATED	1							
62	2	26756-060002	NUT, LOCK M6	1							
70	2	158552-61900	O-RING	1							
74	2	22190-160002	WASHER, SEAL 16	1							
77	2	23887-160002	PLUG, 16	1							
78	2	26106-060142	BOLT, M6X 14 PLATED	6							
79	2	26106-060252	BOLT, M6X 25 PLATED	8							
80	2	26106-060402	BOLT, M6X 40 PLATED	2							
82	2	158560-61061	COVER, GOVERNOR CASE	1							
125	2	119653-77950	SOLENOID, STOP	1							

Remarks
 * THIS FIGURE(GOVERNOR ASSY)IS
 INCORPORATED IN THE FUEL INJECTION
 PUMP ASSY(FIG.13).

N:Old $\frac{100}{100}$ New, Q:Old $\frac{100}{100}$ New, R:Old $\frac{100}{100}$ New, S:Old $\frac{100}{100}$ New, W:Add, Z:Discontinued, F:Interchangeable by set, K:Q'ty Change
 Copyright (C) YANMAR CO., LTD. All Rights Reserved.

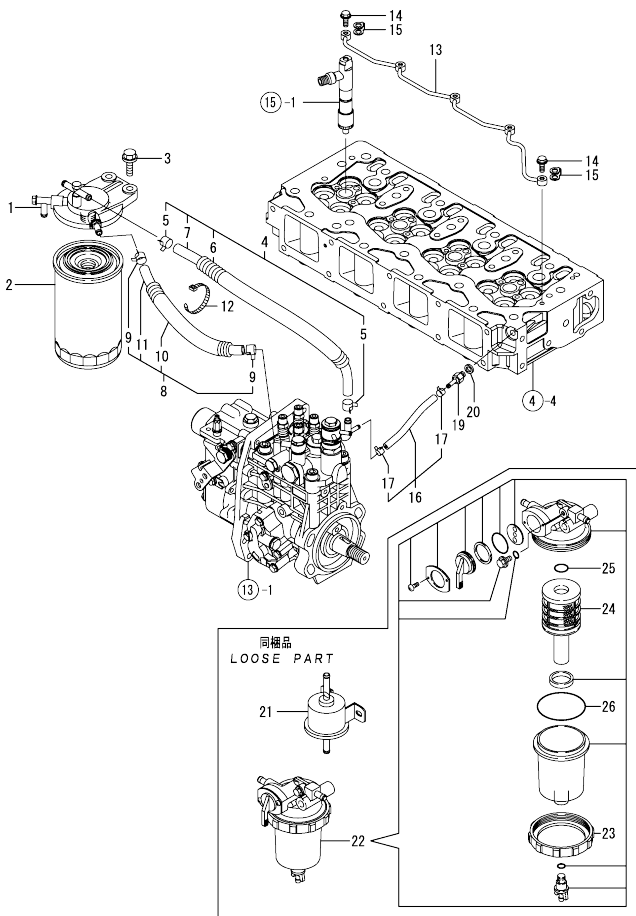
Fig.15. FUEL INJECTION VALVE



No.	Lev.	Parts No.	Description	Q'ty						I	R
				(A)	(B)	(C)	(D)	(E)	(F)		
1	1	729908-53100	FUEL INJECTOR ASSY	4							
2	2	129908-53000	NOZZLE ASSY, F.I.	4							
5	2	114250-53080	NUT, NOZZLE	4							
9	2	114250-53120	SPRING, NOZZLE	4							
10	2	114250-53130	SEAT, SPRING	4							
11	2	114250-53140	SPACER	4							
12	2	114250-53210	PIN	8							
13	2	114250-53400	SHIM SET	4							
25	1	123907-11601	SEAL, PIPE	4							
26	1	122780-59100	RETAINER	2							
27	1	119305-59120	RETAINER, PIPE	1							
30	2	129150-59131	BOLT, M4X14	1							
31	1	129550-59120	RETAINER, PIPE	1							
34	2	129150-59131	BOLT, M4X14	2							
35	1	129907-59710	SUPPORT	1							
37	1	129908-59810	PIPE ASSY, INJECTION	1							
38	1	129908-59820	PIPE ASSY, INJECTION	1							
39	1	129908-59830	PIPE ASSY, INJECTION	1							
40	1	129908-59840	PIPE ASSY, INJECTION	1							
41	1	26106-060162	BOLT, M6X 16 PLATED	2							
42	1	26106-080182	BOLT, M8X 18 PLATED	1							

N:Old $\frac{100}{100}$ New, Q:Old $\frac{100}{100}$ New, R:Old $\frac{100}{100}$ New, S:Old $\frac{100}{100}$ New, W:Add, Z:Discontinued, F:Interchangeable by set, K:Q'ty Change
 Copyright (C) YANMAR CO., LTD. All Rights Reserved.

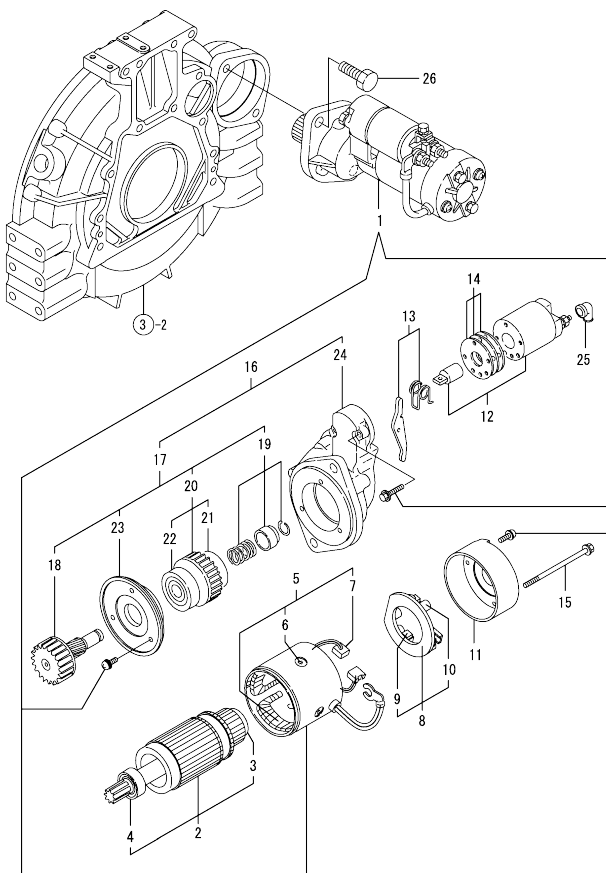
Fig.16. FUEL LINE



No.	Lev.	Parts No.	Description	Q'ty						I	R
				(A)	(B)	(C)	(D)	(E)	(F)		
1	1	129004-55612	BRACKET, FILTER	1							
2	1	123907-55801	FILTER, FUEL	1							
3	1	26106-080302	BOLT, M8X 30 PLATED	2							
4	1	129457-59010	HOSE ASSY, FUEL	1							
5	2	124766-59050	CLAMP, HOSE 11.5	2							
6	2	129957-59120	TUBE, CORRUGATED 15	1							
7	2	105025-59750	HOSE, FUEL	1							
8	1	129981-59010	HOSE ASSY, FUEL	1							
9	2	124766-59050	CLAMP, HOSE 11.5	2							
10	2	129950-59221	TUBE, CORRUGATED 15	1							
11	2	129980-59510	HOSE, FUEL	1							
12	1	121750-59890	BAND, NYLON	1							
13	1	129907-59140	PIPE ASSY, RETURN	1							
14	1	123907-59540	BOLT, PIPE JOINT M6	5							
15	1	123907-59550	GASKET	5							
16	1	129486-59551	HOSE ASSY, RETURN	1							
17	2	124722-59050	CLAMP, HOSE 9	2							
19	1	123907-59560	JOINT, HOSE	1							
20	1	22190-080002	WASHER, SEAL 6	1							
21	1	119225-52102	PUMP, FUEL FEED	1							
22	1	119802-55700	SEPARATOR ASSY, WATER	1							
23	2	129100-55690	RING, CUP RETAINING	1							
24	2	119802-55710	ELEMENT	1							
25	2	24311-000160	O-RING, 1AP16.0	1							
26	2	24321-000650	O-RING, 1AG65.0	1							

N:Old $\frac{100}{100}$ New, Q:Old $\frac{100}{100}$ New, R:Old $\frac{100}{100}$ New, S:Old $\frac{100}{100}$ New, W:Add, Z:Discontinued, F:Interchangeable by set, K:Qty Change
 Copyright (C) YANMAR CO., LTD. All Rights Reserved.

Fig.17. STARTING MOTOR

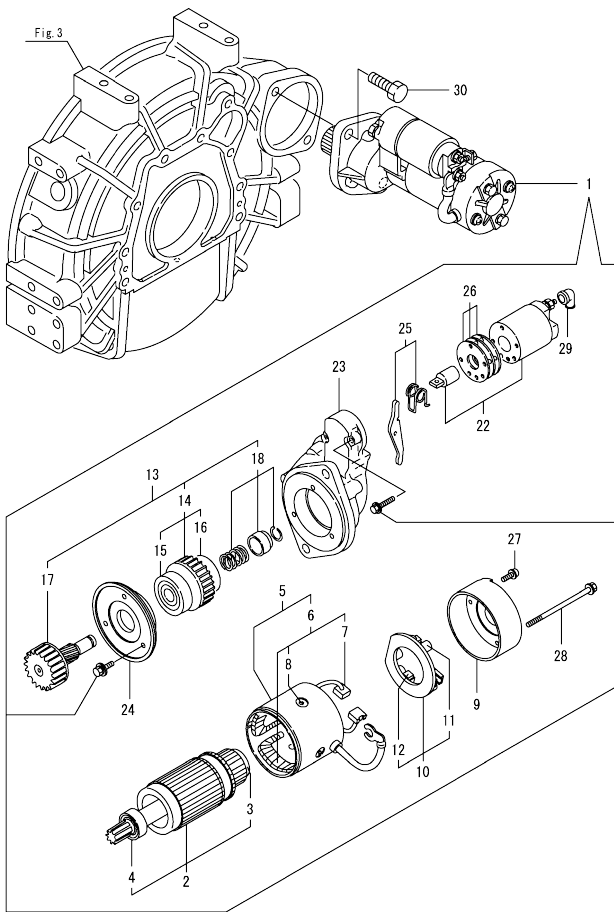


(A)=4TNV98T-NDI
(B)=
(C)=

(D)=
(E)=
(F)=

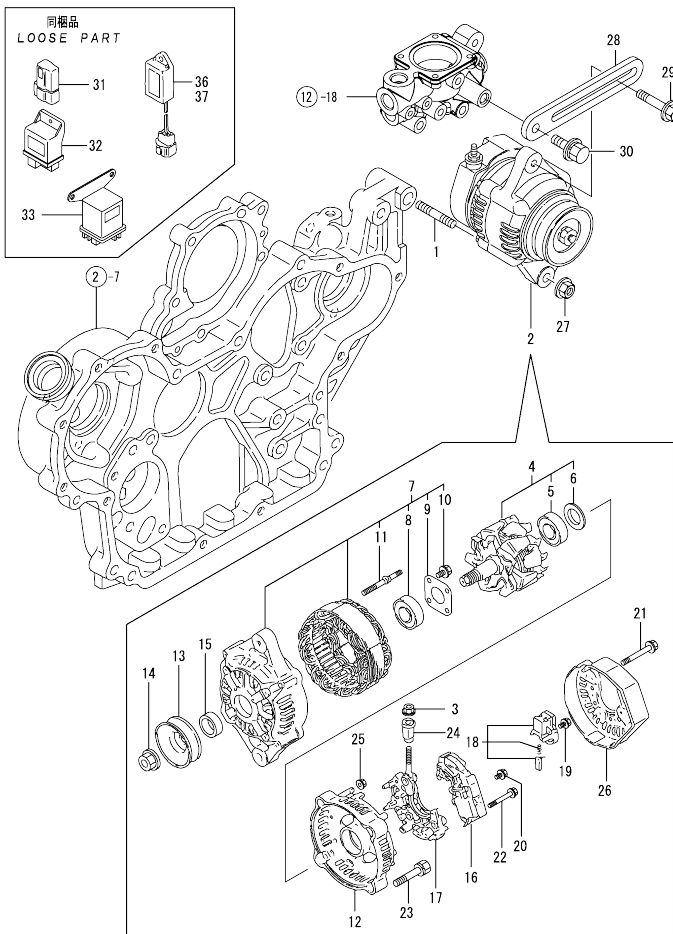
No.	Lev.	Parts No.	Description	Q'ty					
				(A)	(B)	(C)	(D)	(E)	(F)
1	1	129900-77010	STARTER ASSY	1					
2	2	129900-77400	ARMATURE ASSY	1					
3	3	X2114155110	BEARING, BALL	1					
4	3	X2114255110	BEARING, BALL	1					
5	2	129900-77440	COIL ASSY, FIELD	1					
6	3	171008-77450	SCREW, CORE SET	4					
7	3	129900-77450	BRUSH	2					
8	2	129900-77480	HOLDER ASSY, BRUSH	1					
9	3	129900-77450	BRUSH	2					
10	3	X2130631300	SPRING, BRUSH	4					
11	2	129900-77460	COVER	1					
12	2	129900-77591	SWITCH ASSY, MAGNET	1					
13	2	129900-77620	LEVER SET	1					
14	2	129900-77650	COVER KIT, DUST	1					
15	2	129900-77640	BOLT, THROUGH	2					
16	2	129900-77700	CASE ASSY, GEAR	1					
17	3	129900-77510	PINION ASSY, W/CLUTCH	1					
18	4	129900-77540	SHAFT, PINION	1					
19	4	129900-77550	STOPPER SET, PINION	1					
20	4	129900-77520	CLUTCH ASSY	1					
21	4	171008-77730	BEARING, BALL	1					
22	4	171008-77740	BEARING, BALL	1					
23	4	129900-77610	RETAINER, BEARING	1					
24	3	129900-77710	CASE, GEAR	1					
25	2	171008-77750	COVER, TERMINAL	1					
26	1	26116-120302	BOLT, M12X 30 PLATED	2					

Fig.20. (17A)STARTING MOTOR



No.	Lev.	Parts No.	Description	Q'ty						I	R
				(A)	(B)	(C)	(D)	(E)	(F)		
1	1	129900-77040	STARTER ASSY	1							
2	2	129900-77120	ARMATURE ASSY	1							
3	3	171008-77410	BEARING, BALL	1							
4	3	171008-77420	BEARING, BALL	1							
5	2	129900-77130	YOKE ASSY	1							
6	3	129900-77140	COIL ASSY, FIELD	1							
7	4	129900-77450	BRUSH	2							
8	4	171008-77450	SCREW, CORE SET	4							
9	2	129900-77150	COVER	1							
10	2	129900-77160	HOLDER ASSY, BRUSH	1							
11	3	X2130631300	SPRING, BRUSH	4							
12	3	129900-77450	BRUSH	2							
13	2	129900-77170	CLUTCH ASSY	1							
14	3	129900-77180	CLUTCH ASSY	1							
15	4	129900-77190	BEARING, BALL	1							
16	4	X2114955020	BEARING, BALL	1							
17	3	129900-77270	SHAFT, PINION	1							
18	3	171008-77670	STOPPER SET, PINION	1							
22	2	129900-77280	SWITCH ASSY, MAGNET	1							
23	2	129900-77290	CASE, GEAR	1							
24	2	129900-77380	RETAINER, BEARING	1							
25	2	129900-77390	LEVER ASSY, SHIFT	1							
26	2	129900-77420	COVER KIT, DUST	1							
27	2	129900-77430	SCREW, M4X10	2							
28	2	129685-77640	BOLT, THROUGH	2							
29	2	171008-77750	COVER, TERMINAL	1							
30	1	26116-120302	BOLT, M12X 30 PLATED	2							

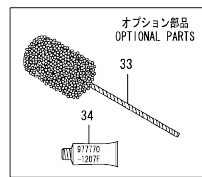
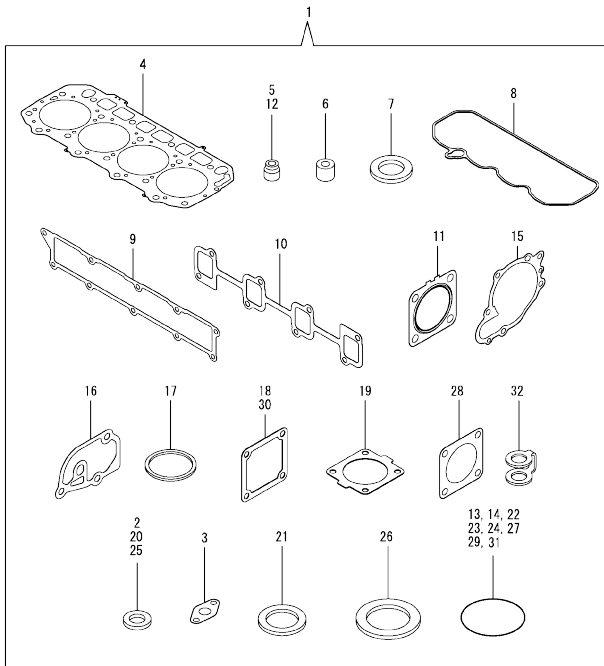
Fig.18. GENERATOR



No.	Lev.	Parts No.	Description	Q'ty						I	R
				(A)	(B)	(C)	(D)	(E)	(F)		
1	1	129795-01900	BOLT, STUD M10X33	1							
2	1	119626-77210	ALTERNATOR, 12V-55A	1							
3	2	X9490561001	NUT	1							
4	2	129052-77380	ROTOR ASSY	1							
5	3	125301-79240	BEARING, BALL	1							
6	3	119620-79250	COVER, BEARING	1							
7	2	129052-77422	FRAME ASSY	1							
8	3	119620-79200	BEARING, BALL	1							
9	3	119620-79210	RETAINER	1							
10	3	119620-79220	SCREW	4							
11	3	119620-79230	BOLT, STUD	2							
12	2	128401-77440	COVER	1							
13	2	119620-77461	PULLEY, GENERATOR	1							
14	2	119620-77471	NUT	1							
15	2	119620-77490	COLLAR	1							
16	2	119626-77710	REGULATOR ASSY	1							
17	2	129052-79260	HOLDER	1							
18	2	129052-79270	HOLDER, BRUSH	1							
19	2	119620-79290	SCREW	6							
20	2	119620-79300	SCREW	1							
21	2	119620-79310	BOLT	3							
22	2	119620-79320	SCREW	2							
23	2	119620-79330	BOLT	2							
24	2	119620-79340	BUSH, INSULATION	1							
25	2	119620-79350	NUT	2							
26	2	119626-77450	FRAME	1							
27	1	26306-100002	NUT, M10	1							
28	1	129900-77330	ADJUSTER, BELT	1							
29	1	119810-77340	BOLT, ADJUST L=30	1							
30	1	26014-080252	BOLT, M8X 25	1							
31	1	119643-66900	DIODE	1							
32	1	119802-77200	RELAY, SAFETY	1							
33	1	119650-77910	RELAY ASSY, GLOW	1							
36	1	128300-77920	TIMER	1							
37	1	129211-77920	TIMER	1							

N:Old $\frac{New}{Old}$ New, Q:Old $\frac{New}{Old}$ New, R:Old $\frac{New}{Old}$ New, S:Old $\frac{New}{Old}$ New, W:Add, Z:Discontinued, F:Interchangeable by set, K:Q'ty Change
 Copyright (C) YANMAR CO., LTD. All Rights Reserved.

Fig.19. GASKET SET



(A)=4TNV98T-NDI
(B)=
(C)=

(D)=
(E)=
(F)=

No.	Lev.	Parts No.	Description	Qty						I	R	
				(A)	(B)	(C)	(D)	(E)	(F)			
1	1	729908-92640	GASKET SET	1							1	
2	2	23414-100000	GASKET, 10X1.0	2								
3	2	129908-39690	GASKET	1								
4	2	129907-01331	GASKET, HEAD	1								
5	2	124160-11340	SEAL, VALVE STEM	8								
6	2	119802-11870	PROTECTOR, NOZZLE	4								
7	2	119625-11880	SEAT, NOZZLE	4								
8	2	129933-11310	GASKET, BONNET	1								
9	2	129907-12110	GASKET, MANIFOLD	1								
10	2	129900-13251	GASKET, EXH.MANIFOLD	1								
11	2	129930-13201	GASKET, SILENCER	1								
12	2	119803-11340	SEAL, VALVE STEM	8								
13	2	129900-32030	O-RING, P20	2								
14	2	129900-32040	O-RING, P14	1								
15	2	129900-42020	GASKET, WATER PUMP	1								
16	2	129900-49870	GASKET, THERMOSTAT	1								
17	2	121850-49550	GASKET, THERMOSTAT	1								
18	2	121850-77021	GASKET, AIR HEATER	1								
19	2	121850-49540	GASKET, THERMOSTAT	1								
20	2	23414-080000	GASKET, 8X1.0	1								
21	2	124465-44950	GASKET, 16	2								
22	2	24311-000070	O-RING, 1AP7.0	1								
23	2	24311-000120	O-RING, 1AP12.0	8								
24	2	24311-000320	O-RING, 1AP32.0	2								
25	2	22190-080002	WASHER, SEAL 6	11								
26	2	22190-220002	WASHER, SEAL 22	1								
27	2	24351-030750	O-RING, 1A3075	1								
28	2	129472-18090	GASKET	1								
29	2	24321-000850	O-RING, 1AG85.0	1								
30	2	119129-77020	GASKET	1								
31	2	24321-000600	O-RING, 1AG60.0	1								
32	2	123907-59550	GASKET	5								
33	1	129400-92450	HONE, FLEX	1								1
34	1	977770-1207F	GASKET.LIQUID	1								1

Remarks
(1) OPTIONAL PART.

N:Old $\frac{100}{100}$ New, Q:Old $\frac{100}{100}$ New, R:Old $\frac{100}{100}$ New, S:Old $\frac{100}{100}$ New, W:Add, Z:Discontinued, F:Interchangeable by set, K:Qty Change
Copyright (C) YANMAR CO., LTD. All Rights Reserved.

Parts No. Index

Parts No.	Fig. No.	Ref. No.
105010-39140	11	24
105025-59750	16	7
106500-44810	11	32
114250-39450	11	13
114250-53080	15	5
114250-53120	15	9
114250-53130	15	10
114250-53140	15	11
114250-53210	15	12
114250-53400	15	13
119000-39650	11	41
119005-77050	5	10
119006-03090	4	64
119100-11330	4	59
119129-77020	5	8
	19	30
119131-18320	8	3
119141-44760	12	16
119225-52102	16	21
119305-59120	15	27
119593-11301	4	32
119620-01750	3	4
119620-11180	4	16
119620-77461	18	13
119620-77471	18	14
119620-77490	18	15
119620-79200	18	8
119620-79210	18	9
119620-79220	18	10
119620-79230	18	11
119620-79250	18	6
119620-79290	18	19
119620-79300	18	20
119620-79310	18	21
119620-79320	18	22
119620-79330	18	23
119620-79340	18	24
119620-79350	18	25
119625-11880	4	28
	19	7
119626-77210	18	2
119626-77450	18	26
119626-77710	18	16
119640-01640	3	9
119643-66900	18	31
119650-77910	18	33
119653-77950	14	125
119660-61901	14	56
119802-11870	4	27
	19	6

Parts No.	Fig. No.	Ref. No.
119802-51590	13	59
119802-51600	13	60
119802-51680	13	64
119802-51690	13	65
119802-55700	16	22
119802-55710	16	24
119802-77200	18	32
119803-11340	4	17
	19	12
119807-61420	14	22
119810-77340	18	29
120130-22301	9	20
121023-26070	2	28
121250-44901	12	35
121252-39150	11	6
121450-42450	12	34
121520-34810	10	15
121750-59890	10	11
	16	12
	9	10
121850-21130	9	4
121850-21290	9	9
121850-21680	9	5
121850-21920	12	22
121850-49540	19	19
	12	23
121850-49550	19	17
	12	25
121850-49810	5	9
121850-77021	19	18
	15	26
122780-59100	6	3
123900-13630	7	9
123900-25060	4	70
123901-03240	4	75
123901-03280	11	31
123901-39820	4	37
123907-11280	4	3
123907-11550	15	25
123907-11601	4	23
123907-11820	4	22
123907-11830	11	16
123907-39500	16	2
123907-55801	16	14
123907-59540	16	15
123907-59550	19	32
	16	19
123907-59560	11	29
123910-39850	10	8
123910-49600	10	10
123910-49610	10	10

Parts No.	Fig. No.	Ref. No.
123912-33050	10	2
123912-33100	10	3
123951-18220	5	5
124070-13300	11	26
124160-01751	2	26
	4	52
124160-11340	4	18
	19	5
	4	61
124160-11360	11	3
124223-39900	3	7
124411-01780	12	36
124465-44950	12	37
	19	21
	12	41
124722-59050		44
	16	17
	16	5
124766-59050		9
	18	5
125301-79240	18	36
128300-77920	18	12
128401-77440	2	15
129001-91810		16
	16	1
129004-55612	11	7
129005-59830		18
	10	5
129006-44480	18	4
129052-77380	18	7
129052-77422	18	17
129052-79260	18	18
129052-79270	2	4
129100-01580	3	1
	16	23
129100-55690	7	4
129150-02450	4	66
129150-03100	4	40
129150-11230		44
	4	21
129150-11750		41
		45
	7	1
129150-14200	7	13
129150-25920	10	17
129150-35153	15	30
129150-59131		34
	14	5
129155-51280	14	27
129155-61460	18	37
129211-77920		

Parts No.	Fig. No.	Ref. No.
129255-61410	14	21
129400-92450	19	33
129410-03990	4	76
129418-18320	6	4
129457-59010	16	4
129466-49300	10	7
129472-18090	8	2
	19	28
129486-59551	16	16
129550-59120	15	31
129685-77640	20	28
129795-01900	18	1
129900-01200	1	27
129900-01250	1	4
129900-01620	3	2
129900-01740	2	5
129900-01780	2	3
129900-02020	1	6
129900-02341	1	33
129900-02410	1	9
129900-02931	1	24
129900-02941	1	36
129900-13251	6	2
	19	10
129900-14110	7	6
129900-14140	2	10
129900-21220	9	3
129900-21600	9	13
129900-21640	9	7
129900-23001	9	22
129900-23200	9	25
129900-23601	9	26
129900-23611	9	29
129900-23911	9	28
129900-25110	7	10
129900-26030	7	20
129900-26250	2	11
129900-32030	2	12
	10	18
	19	13
129900-32040	2	13
	19	14
129900-42020	12	11
	19	15
129900-42450	12	14
129900-49870	12	30
	19	16
129900-77010	17	1
129900-77040	20	1
129900-77120	20	2

Parts No. Index

Parts No.	Fig. No.	Ref. No.	Parts No.	Fig. No.	Ref. No.	Parts No.	Fig. No.	Ref. No.	Parts No.	Fig. No.	Ref. No.
129900-77130	20	5	129907-11341	4	33	129930-13201	6	5	158563-51281	13	20
129900-77140	20	6	129907-11510	4	19		19	11	158563-51330	13	29
129900-77150	20	9	129907-11650	4	38	129930-39050	11	23	158600-51270	13	18
129900-77160	20	10	129907-11660	4	42	129933-01500	2	7	158601-51550	13	52
129900-77170	20	13	129907-11800	4	26	129933-11310	4	58	158601-51570	13	56
129900-77180	20	14	129907-11910	4	29		19	8	158601-51650	13	72
129900-77190	20	15	129907-11920	4	46	129933-11320	4	53	158601-51770	13	95
129900-77270	20	17	129907-11950	4	30	129935-03260	4	72	158601-51790	13	97
129900-77280	20	22	129907-12110	5	1	129935-03270	4	73	171008-77410	20	3
129900-77290	20	23		19	9	129935-13100	6	1	171008-77420	20	4
129900-77330	18	28	129907-14400	7	2	129935-18010	8	1	171008-77450	17	6
129900-77380	20	24	129907-21660	9	8	129935-18350	5	7		20	8
129900-77390	20	25	129907-22050	9	16	129935-39040	11	1	171008-77670	20	18
129900-77400	17	2	129907-25900	7	16	129935-39610	11	27	171008-77730	17	21
129900-77420	20	26	129907-39061	11	14	129944-12110	5	2	171008-77740	17	22
129900-77430	20	27	129907-42000	12	1	129950-59221	16	10	171008-77750	17	25
129900-77440	17	5	129907-49610	12	38	129953-21570	9	11		20	29
129900-77450	17	7	129907-49620	12	42	129953-25300	7	15	171051-01921	1	5
		9	129907-49710	12	39	129953-34830	10	16	171056-49120	10	14
	20	7	129907-49720	12	43	129953-35000	10	19	22190-080002	11	8
		12	129907-49730	12	24	129957-59120	16	6			10
129900-77460	17	11	129907-49750	12	40	129960-03990	4	77			19
129900-77480	17	8	129907-49800	12	18	129980-59510	16	11			21
129900-77510	17	17	129907-51340	13	30	129981-59010	16	8			25
129900-77520	17	20	129907-51560	13	53	144626-51090	13	9		16	20
129900-77540	17	18	129907-59140	16	13	158552-51570	13	54		19	25
129900-77550	17	19	129907-59710	15	35	158552-51580	13	58	22190-120002	13	98
129900-77591	17	12	129908-03099	4	65	158552-51670	13	125			107
129900-77610	17	23	129908-03209	4	67	158552-51781	13	96			108
129900-77620	17	13	129908-03219	4	68	158552-52100	13	102	22190-160002	14	74
129900-77640	17	15	129908-03229	4	69	158552-52310	13	104	22190-180002	13	99
129900-77650	17	14	129908-11700	4	4	158552-52400	13	105			109
129900-77700	17	16	129908-14590	7	3	158552-52500	13	103	22190-220002	3	11
129900-77710	17	24	129908-21100	9	1	158552-61900	14	70		19	26
129906-51580	13	57	129908-22080	9	14	158553-51551	13	51	22217-180000	7	18
129907-01190	1	29	129908-32060	2	8	158553-51630	13	69		13	110
129907-01331	1	28	129908-33010	10	1	158553-51640	13	71	22252-000300	9	21
	19	4	129908-33101	10	4	158553-51660	13	73	22312-050140	13	111
129907-01950	13	129	129908-39410	11	35	158553-51670	13	63	22351-030010	11	42
129907-01960	13	130	129908-39690	11	30	158553-51680	13	74	22351-050010	13	112
129907-03011	4	54		19	3	158557-51570	13	55	22351-060012	1	10
129907-03061	4	55	129908-49060	10	6	158560-51300	13	21	22512-070140	7	7
129907-03070	4	56	129908-53000	15	2	158560-51600	13	68		9	6
129907-07900	4	1	129908-59810	15	37	158560-61050	14	2	22857-500100	4	60
129907-11100	4	13	129908-59820	15	38	158560-61061	14	82	23000-022000	4	78
129907-11110	4	14	129908-59830	15	39	158560-61071	14	3	23000-025000	10	12
129907-11120	4	15	129908-59840	15	40	158560-61430	14	23		11	33
129907-11250	4	34	129916-01710	3	8	158560-61442	14	24	23000-054000	5	6
129907-11260	4	35	129916-49530	12	21	158563-51150	7	17	23414-080000	12	31
129907-11270	4	36	129916-59020	13	127	158563-51281	13	19		19	20

Parts No. Index

Parts No.	Fig. No.	Ref. No.
23414-100000	11	11
	19	2
	11	9
23857-030000		20
	13	113
	12	27
23875-030000	4	10
23876-020000	1	11
23876-030000		12
		13
	4	11
23887-120002	13	100
23887-160002	14	77
24311-000070	2	17
	13	114
	19	22
24311-000120	4	31
		62
	19	23
24311-000160	16	25
24311-000320	2	27
	4	63
	19	24
24321-000600	10	13
	19	31
	16	26
24321-000650	2	29
24321-000850	19	29
24351-030750	2	18
	19	27
	13	66
24356-010200		115
	13	116
	13	67
25132-004150	12	15
26014-080252	18	30
26106-060102	13	117
	14	60
		61
26106-060122	12	28
26106-060142	14	78
26106-060162	11	34
	15	41
	12	29
26106-060252	14	79
26106-060302	12	12
26106-060352	13	118
26106-060402	14	80
26106-080122	3	12
	4	79

Parts No.	Fig. No.	Ref. No.
26106-080122	10	24
	11	12
		22
26106-080142	12	32
	4	80
	2	19
26106-080162		20
	4	2
	7	8
26106-080182	10	25
	13	131
	15	42
26106-080202	2	21
26106-080222	13	132
		133
	16	3
26106-080302	2	22
26106-080402		23
	4	48
	2	24
26106-080452	5	3
	7	14
	12	13
26106-080552		17
	4	49
	12	33
26106-080602	5	11
	5	4
	5	12
26106-080702	2	30
	13	134
	4	71
26106-080802	17	26
26206-100352	20	30
	3	5
	3	6
26206-100702	2	9
26216-100302	4	47
26226-080222	4	51
26306-080002	8	4
26306-100002	2	25
	18	27
	13	121
26450-100452	14	62
26756-060002	7	19
26776-180002	13	122
27241-300000	1	14
27241-400000	4	12
27310-070001	4	24

Parts No.	Fig. No.	Ref. No.
729900-02801	1	30
729907-01540	2	1
729907-22950	9	33
729908-01560	1	1
729908-22900	9	31
729908-51310	13	1
729908-53100	15	1
729908-92640	19	1
977770-1207F	19	34
X2114155110	17	3
X2114255110	17	4
X2114955020	20	16
X2130631300	17	10
	20	11
X9490561001	18	3

Parts No.	Fig. No.	Ref. No.
-----------	----------	----------