

0CW10-M58901EN

# P R E F A C E

This parts catalog is the 2nd edition of 4TNV98T-NKDC for Daedong Industrial Co., Ltd..

Published : April, 2020

## Contents

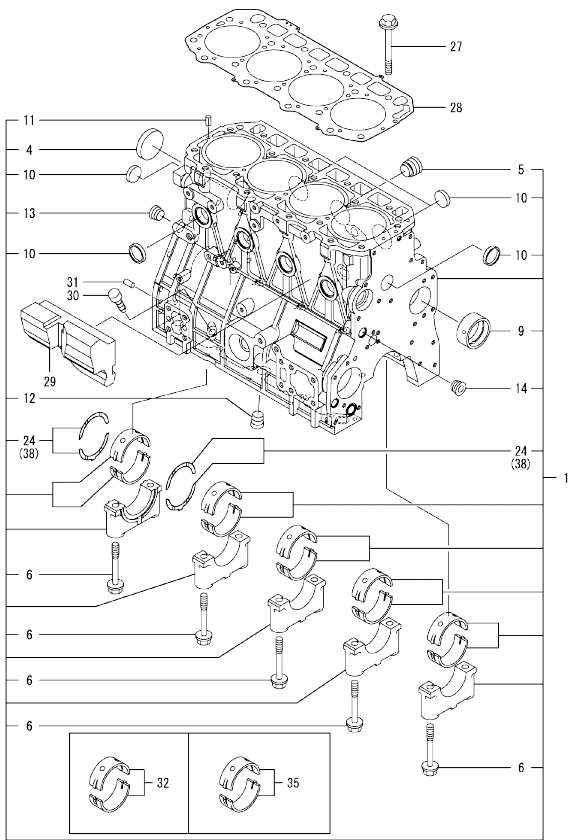
0CW10-M58901

Fig. No.	Fig. Name	Fig. No.	Fig. Name
ENGINE			
1.	CYLINDER BLOCK		
2.	GEAR HOUSING		
3.	OIL SUMP		
4.	CYLINDER HEAD & BONNET		
5.	SUCTION MANIFOLD		
6.	EXHAUST MANIFOLD		
7.	CAMSHAFT & DRIVING GEAR		
8.	TURBINE		
9.	CRANKSHAFT & PISTON		
10.	LUB. OIL SYSTEM		
11.	LUB. OIL PIPE		
12.	COOLING WATER SYSTEM		
13.	FUEL INJECTION PUMP		
14.	GOVERNOR		
15.	FUEL INJECTION VALVE		
16.	FUEL PIPE		
17.	ELECTRIC PARTS		
18.	GASKET SET		

Fig.1. CYLINDER BLOCK

(A)=4TNV98T-NKDC  
(B)=  
(C)=

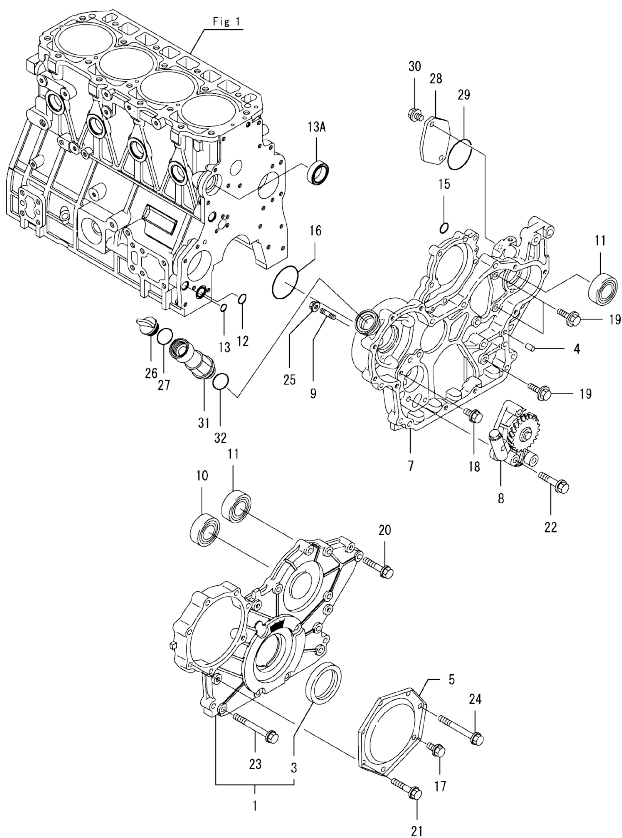
(D)=  
(E)=  
(F)=



No.	Lev.	Parts No.	Description	Q'ty						I	R
				(A)	(B)	(C)	(D)	(E)	(F)		
1	1	729908-01560	BLOCK ASSY, CYLINDER	1							
4	2	129900-01250	PLUG, 55	1							
5	2	171051-01921	PLUG, NPTF1	1							
6	2	129900-02020	BOLT, METAL CAP	10							
9	2	129900-02410	BUSH, CAMSHAFT	1							
10	2	27241-300000	PLUG(30)	8							
11	2	22351-060012	PIN, SPRING 6.0X12	2							
12	2	23876-030000	PLUG, R03	1							
13	2	23876-030000	PLUG, R03	1							
14	2	23876-030000	PLUG, R03	1							
24	2	129900-02931	METAL ASSY, THRUST	2							
24-1	2	129927-02930	BEARING ASSY, THRUST	2							R
(A=2018.02)											
27	1	129900-01200	BOLT, CYLINDER HEAD	18							
28	1	129907-01331	GASKET, HEAD	1							
29	1	129907-01190	SPACER	1							
30	1	124976-34850	PLUG	1							
31	1	129100-01580	PIN, PARALLEL 8X16	2							
32	1	729900-02801	METAL ASSY, MAIN	5							1
32-1	1	729927-02800	BEARING ASSY, MAIN	5							R 1
(A=2018.02)											
35	1	129900-02341	METAL ASSY, MAIN .25	5							2
35-1	1	129927-02340	BEARING ASSY,MAIN US	5							R 2
(A=2018.02)											
38	1	129900-02941	METAL ASSY, 0.25 OS	2							3
38-1	1	129927-02940	BEARING,THRUST0.25OS	2							R 3
(A=2018.02)											

Remarks  
(1)Spare parts.  
(2)Under-sized(U.S.=0.25) parts.  
(3)Over-sized(O.S.=0.25) parts.

Fig.2. GEAR HOUSING



(A)=4TNV98T-NKDC  
(B)=  
(C)=

(D)=  
(E)=  
(F)=

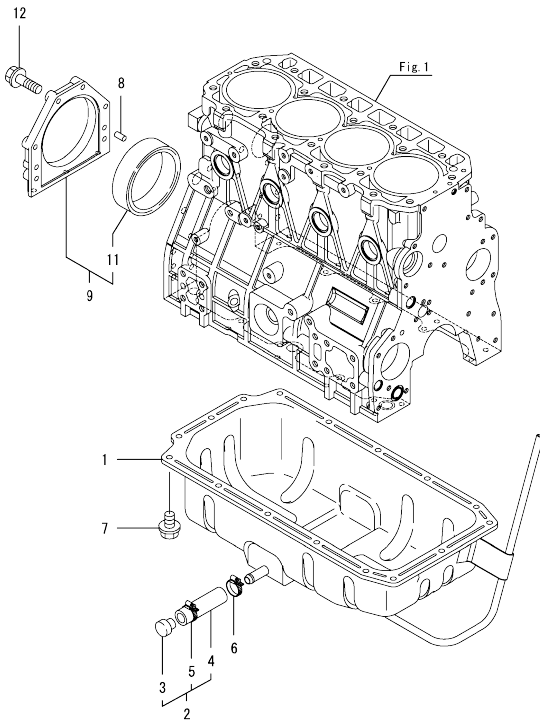
No.	Lev.	Parts No.	Description	Qty						I	R
				(A)	(B)	(C)	(D)	(E)	(F)		
1	1	729906-01550	COVER ASSY, CASE	1							
3	2	129916-01800	SEAL, OIL	1							
4	1	129100-01580	PIN, PARALLEL 8X16	4							
5	1	129900-01740	COVER, PUMP TIMING	1							
5-1	1	129951-01740	COVER, PUMP TIMING	1							F 1
(A=EC3881)											
7	1	129933-01500	CASE, GEAR	1							
8	1	129908-32060	PUMP ASSY, OIL	1							
9	1	26216-100302	STUD, M10X 30	4							
10	1	129900-14140	BEARING, BALL 6205	1							
11	1	129900-26250	BEARING, BALL 6206C3	2							
12	1	129900-32030	O-RING, P20	1							
13	1	129900-32040	O-RING, P14	1							
13A	1	129927-42140	GASKET, PUMP OUTLET	1							W
(A=*2014.09)											
15	1	24311-000070	O-RING, 1AP7.0	1							
16	1	24351-030750	O-RING, 1A3075	1							
17	1	26106-080162	BOLT, M8X 16 PLATED	1							
17-1	1	26106-080202	BOLT, M8X 20 PLATED	1							N
(A=EC3881)											
18	1	26106-080162	BOLT, M8X 16 PLATED	1							
19	1	26106-080202	BOLT, M8X 20 PLATED	3							
20	1	26106-080402	BOLT, M8X 40 PLATED	5							
21	1	26106-080402	BOLT, M8X 40 PLATED	5							
21-1	1	26106-080452	BOLT, M8X 45 PLATED	5							N
(A=EC3881)											
22	1	26106-080452	BOLT, M8X 45 PLATED	3							
23	1	26106-080702	BOLT, M8X 70 PLATED	6							
24	1	26106-080702	BOLT, M8X 70 PLATED	1							
24-1	1	26106-080752	BOLT, M8X 75 PLATED	1							N
(A=EC3881)											
25	1	26306-100002	NUT, M10	4							
26	1	124160-01751	CAP, FILLER	1							
27	1	24311-000320	O-RING, 1AP32.0	1							
28	1	121023-26071	COVER, PUMP	1							
29	1	24321-000850	O-RING, 1AG85.0	1							
30	1	26106-100202	BOLT, M10X 20 PLATED	2							
31	1	171031-11741	PIPE, FILLER	1							
32	1	24311-000320	O-RING, 1AP32.0	1							

Remarks

(1)Interchangeable by simultaneous replacement with No.17-1, 21-1 & 24-1.

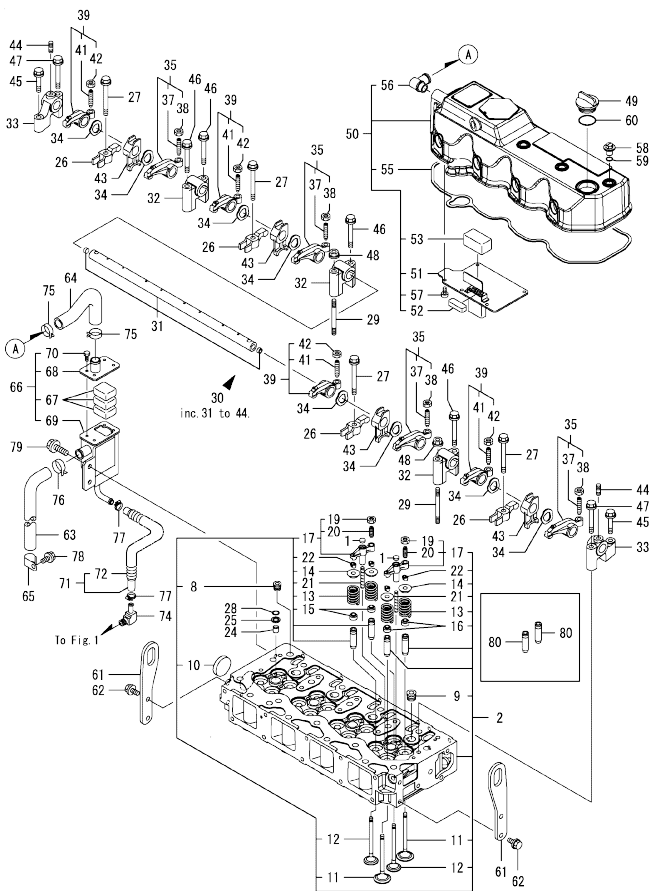
0CW10-M58901 ENGINE  
 Fig.3. OIL SUMP

0CW10-M58901 Fig.3



No.	Lev.	Parts No.	Description	Q'ty						I	R
				(A)	(B)	(C)	(D)	(E)	(F)		
1	1	129974-01740	OIL PAN ASSY	1							
2	1	119540-39950	HOSE ASSY, OIL DRAIN	1							
3	2	119656-39930	PLUG, DRAIN M14	1							
3-1	2	119656-39931	PLUG, OIL DRAIN	1							N
		(A=EH0829)									
4	2	119540-39960	HOSE, OIL DRAIN	1							
5	2	23001-022000	CLAMP, HOSE 22	1							
6	1	23001-022000	CLAMP, HOSE 22	1							
7	1	26106-080122	BOLT, M8X 12 PLATED	16							
8	1	129100-01580	PIN, PARALLEL 8X16	2							
9	1	129960-01640	CASE ASSY, OIL SEAL	1							
9-1	1	129960-01690	CASE ASSY, OIL SEAL	1							N
		(A=2010.07)									
9-2	1	129966-01650	CASE ASSY, OIL SEAL	1							N
		(A=EH01905)									
11	2	124411-01780	SEAL, HTC95X115X12	1							
11-1	2	129916-01790	SEAL, D115/95XT11	1							N
		(A=EH01905)									
12	1	129486-01670	BOLT, M8X30	6							

Fig.4. CYLINDER HEAD & BONNET



(A)=4TNV98T-NKDC  
(B)=  
(C)=

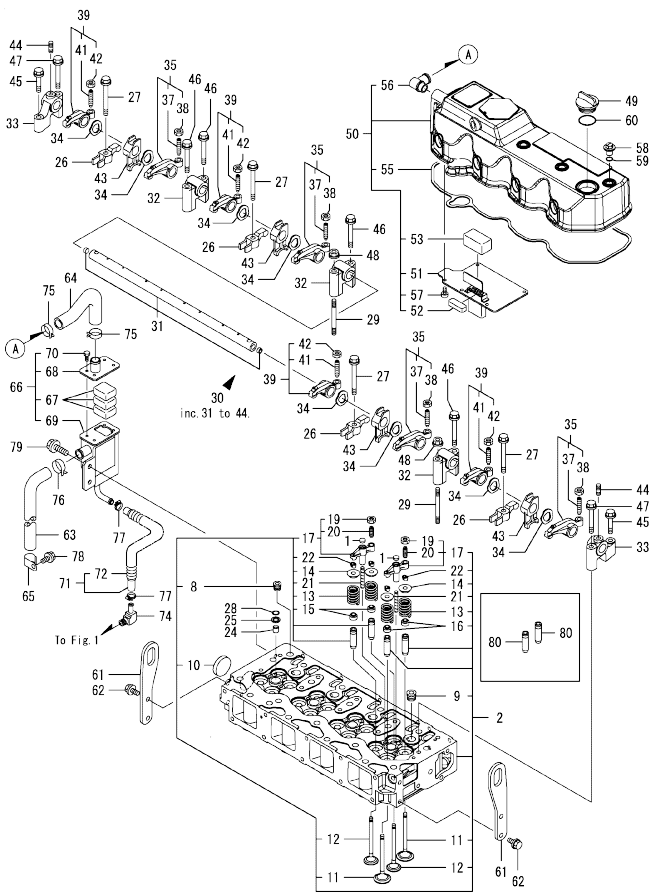
(D)=  
(E)=  
(F)=

No.	Lev.	Parts No.	Description	Q'ty						I	R
				(A)	(B)	(C)	(D)	(E)	(F)		
1	1	123907-11550	SEAT, VALVE BRIDGE	8							
2	1	129908-11700	HEAD ASSY, CYLINDER	1							
8	2	23876-020000	PLUG, R02	1							
9	2	23876-030000	PLUG, R03	4							
10	2	27241-400000	PLUG, 40	1							
11	2	129907-11100	VALVE, INTAKE	8							
12	2	129907-11110	VALVE, EXHAUST	8							
13	2	129907-11120	SPRING, VALVE	16							
14	2	119620-11880	RETAINER, SPRING	16							
15	2	119803-11340	SEAL, VALVE STEM	8							
16	2	124160-11340	SEAL, VALVE STEM	8							
17	2	129907-11510	BRIDGE ASSY, VALVE	8							
19	3	129150-11750	NUT, M8XP1.0	8							
20	3	123907-11830	ADJUSTER, BRIDGE	8							
21	2	123907-11820	GUIDE, BRIDGE	8							
22	2	27310-070001	COTTER, 7	16							
24	1	119802-11870	PROTECTOR, NOZZLE	4							
25	1	119625-11880	SEAT, NOZZLE	4							
26	1	129907-11910	RETAINER, NOZZLE	4							
26-1	1	129907-11960	RETAINER, NOZZLE	4							R
(A)=2018.08)											
27	1	129907-11950	BOLT, VALVE HOLDER	4							
28	1	24311-000120	O-RING, 1AP12.0	4							
29	1	119593-11301	STUD, M8X80	2							
30	1	129907-11341	SUPPORT ASSY, ROCKER	1							
31	2	129907-11250	SHAFT, ROCKER ARM	1							
32	2	129907-11260	SUPPORT, ROCKER A	3							
33	2	129907-11270	SUPPORT, ROCKER B	2							
34	2	123907-11280	WASHER, WAVE	8							
35	2	129907-11650	ARM ASSY, ROCKER INT	4							
37	3	129150-11230	SCREW, VALVE ADJUST	4							
38	3	129150-11750	NUT, M8XP1.0	4							
39	2	129907-11660	ARM ASSY, ROCKER EXH	4							
41	3	129150-11230	SCREW, VALVE ADJUST	4							
42	3	129150-11750	NUT, M8XP1.0	4							
43	2	129907-11920	RETAINER, NOZZLE	4							
44	2	26226-080222	STUD, M8X 22	2							
45	1	26106-080402	BOLT, M8X 40 PLATED	2							
46	1	26106-080602	BOLT, M8X 60 PLATED	4							
47	1	26106-080602	BOLT, M8X 60 PLATED	2							
48	1	26306-080002	NUT, M8	2							
49	1	124160-01751	CAP, FILLER	1							
50	1	129933-11320	BONNET ASSY, HEAD	1							
51	2	129907-03011	PLATE, BAFFLE	1							
52	2	129907-03061	BAFFLE, BREATHER	1							
53	2	129907-03070	BAFFLE, BREATHER	1							
55	2	129933-11310	GASKET, BONNET	1							
56	2	119100-11330	ELBOW, BREATHER	1							
57	2	22857-500100	SCREW, 5X10	6							
58	1	124160-11360	KNOB, BONNET	4							
59	1	24311-000120	O-RING, 1AP12.0	4							

Remarks  
(1)Spare parts.

N:Old <sup>100%</sup> New, Q:Old <sup>100%</sup> New, R:Old <sup>100%</sup> New, S:Old <sup>100%</sup> New, W:Add, Z:Discontinued, F:Interchangeable by set, K:Q'ty Change  
++ CONTINUE ++  
Copyright (C) 2020 YANMAR GLOBAL CS CO., LTD. All Rights Reserved.

Fig.4. CYLINDER HEAD & BONNET



(A)=4TNV98T-NKDC  
(B)=  
(C)=

(D)=  
(E)=  
(F)=

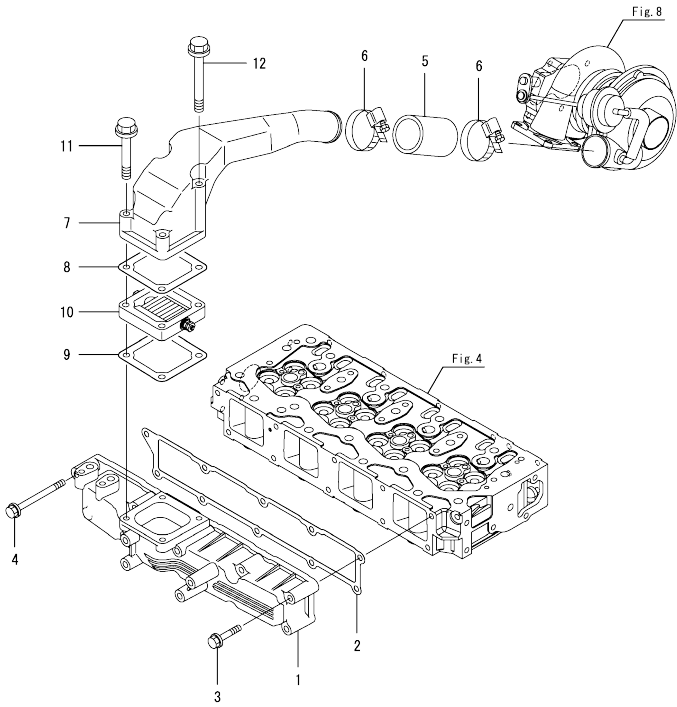
No.	Lev.	Parts No.	Description	Q'ty						I	R
				(A)	(B)	(C)	(D)	(E)	(F)		
60	1	24311-000320	O-RING, 1AP32.0	1							
61	1	129907-07900	LIFTER, ENGINE	2							
62	1	26106-080162	BOLT, M8X 16 PLATED	4							
63	1	119006-03090	HOSE, BREATHER	1							
64	1	129908-03099	HOSE, BREATHER	1							
65	1	129150-03100	RETAINER, PIPE	1							
66	1	129908-03230	BREATHER ASSY	1							
67	2	123901-03240	FILTER	3							
68	2	129908-03240	COVER, BREATHER	1							
69	2	129908-03250	BREATHER	1							
70	2	26116-050102	BOLT, M5X 10 PLATED	4							
71	1	129935-03260	HOSE ASSY, RETURN	1							
72	2	129935-03270	TUBE, CORRUGATED	1							
74	1	123901-03280	ELBOW, PT3/8-10	1							
75	1	129410-03990	CLAMP, HOSE 21.5	2							
76	1	129960-03990	CLAMP, HOSE 19.8	1							
77	1	23000-022000	CLAMP, 22	2							
78	1	26106-080122	BOLT, M8X 12 PLATED	1							
79	1	26106-080142	BOLT, M8X 14 PLATED	2							
80	1	129907-11800	GUIDE, VALVE	16							1

Remarks  
(1)Spare parts.

N:Old  $\frac{100}{100}$  New, Q:Old  $\frac{100}{100}$  New, R:Old  $\frac{100}{100}$  New, S:Old  $\frac{100}{100}$  New, W:Add, Z:Discontinued, F:Interchangeable by set, K:Q'ty Change  
Copyright (C) 2020 YANMAR GLOBAL CS CO., LTD. All Rights Reserved.



Fig.5. SUCTION MANIFOLD



(A)=4TNV98T-NKDC  
(B)=  
(C)=

(D)=  
(E)=  
(F)=

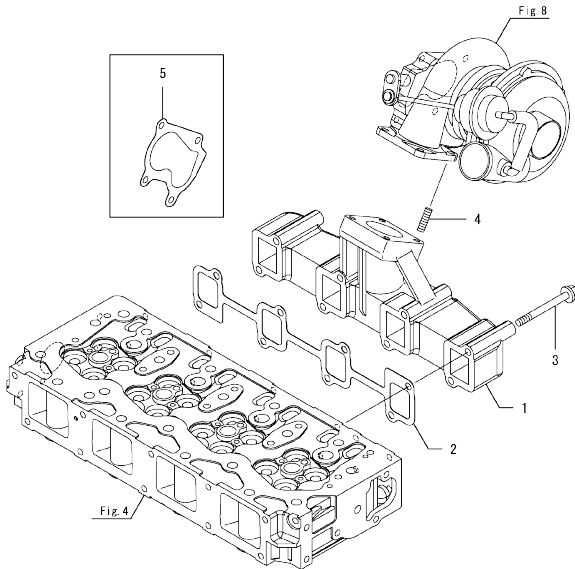
No.	Lev.	Parts No.	Description	Q'ty						I	R
				(A)	(B)	(C)	(D)	(E)	(F)		
1	1	129907-12100	MANIFOLD, INTAKE	1							
2	1	129907-12110	GASKET, MANIFOLD	1							
3	1	26106-080552	BOLT, M8X 55 PLATED	9							
4	1	26106-080852	BOLT, M8X 85 PLATED	1							
5	1	123951-18220	JOINT, RUBBER B	1							
6	1	23000-054000	CLAMP, 54	2							
7	1	129908-18350	DUCT, AIR	1							
8	1	119129-77020	GASKET, AIR HEATER	1							
9	1	121850-77021	GASKET, AIR HEATER	1							
10	1	119005-77051	HEATER, AIR	1							
11	1	26106-080702	BOLT, M8X 70 PLATED	2							
12	1	26106-081202	BOLT, M8X120 PLATED	2							

Fig.6. EXHAUST MANIFOLD

(A)=4TNV98T-NKDC  
(B)=  
(C)=

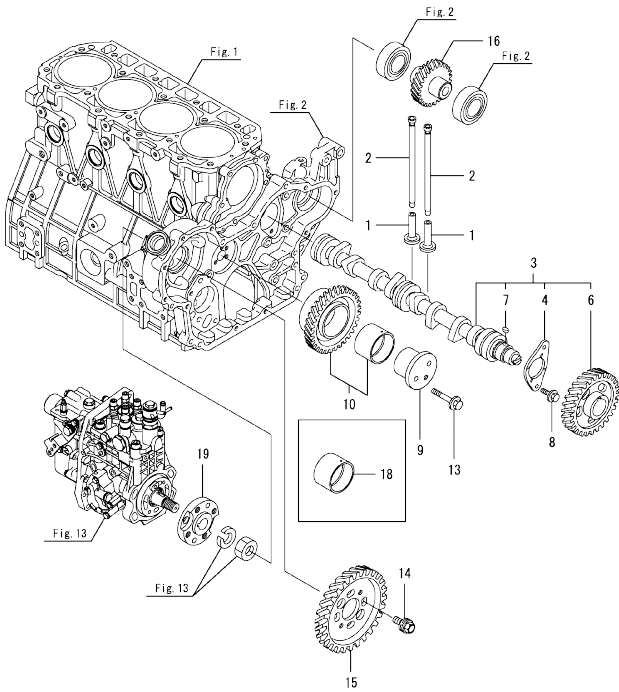
(D)=  
(E)=  
(F)=

No.	Lev.	Parts No.	Description	Q'ty						I	R
				(A)	(B)	(C)	(D)	(E)	(F)		
1	1	129908-13100	MANIFOLD, EXHAUST	1							
2	1	129900-13251	GASKET, MANIFOLD	1							
3	1	123900-13630	BOLT, M8X80	8							
3-1	1	129E00-13640 (A="2015.01)	BOLT, M8X80 10.9T	8						N	
4	1	129418-18320	STUD, M8X20	4							
5	1	123901-18080	GASKET, TURBINE OUT	1							1



Remarks  
(1) Loose parts.

Fig.7. CAMSHAFT & DRIVING GEAR



(A)=4TNV98T-NKDC  
(B)=  
(C)=

(D)=  
(E)=  
(F)=

No.	Lev.	Parts No.	Description	Q'ty						I	R
				(A)	(B)	(C)	(D)	(E)	(F)		
1	1	129150-14200	TAPPET	8							
2	1	129907-14400	ROD, PUSH	8							
3	1	129908-14581	CAMSHAFT ASSY	1							
4	2	129150-02450	METAL, THRUST	1							
6	2	129900-14100	GEAR, CAMSHAFT	1							
7	2	22512-070140	KEY, 7X 14	1							
8	1	26106-080162	BOLT, M8X 16 PLATED	2							
8-1	1	26106-080142	BOLT, M8X 14 PLATED	2							N
(A=2014.02)											
9	1	123900-25060	SHAFT, IDLE GEAR	1							
10	1	129900-25100	GEAR ASSY, IDLE	1							
10-1	1	129927-25100	GEAR ASSY, IDLE	1							R
(A=2017.10)											
13	1	26106-080552	BOLT, M8X 55 PLATED	3							
14	1	129953-25300	BOLT, PUMP BODY	4							
15	1	129907-25900	GEAR, PUMP	1							
16	1	129900-26000	GEAR ASSY, PUMP	1							
18	1	129150-25920	BUSH, IDLE GEAR	1							1
18-1	1	129927-25920	BUSH, IDLE GEAR	1							R 1
(A=2017.10)											
19	1	158563-51150	FLANGE	1							

Remarks

(1)Spare parts.

0CW10-M58901 ENGINE  
 Fig.8. TURBINE

0CW10-M58901 Fig.8

(A)=4TNV98T-NKDC  
 (B)=  
 (C)=

(D)=  
 (E)=  
 (F)=

No.	Lev.	Parts No.	Description	Q'ty						I	R
				(A)	(B)	(C)	(D)	(E)	(F)		
1	1	129908-18010	TURBINE, RHF5	1							
1-1	1	129908-18011 (A=2017.04)	TURBOCHARGER, RHF5	1							N
2	1	129472-18090	GASKET, TURBINE IN	1							
3	1	26306-080002	NUT, M8	4							

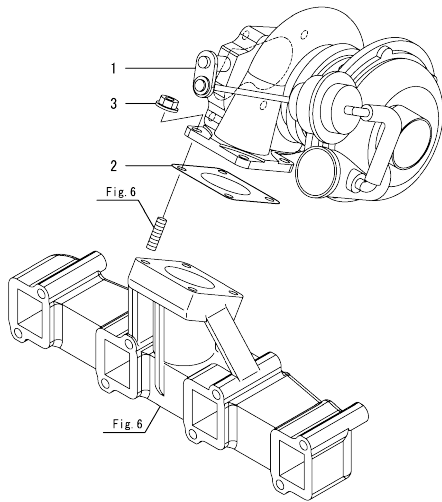
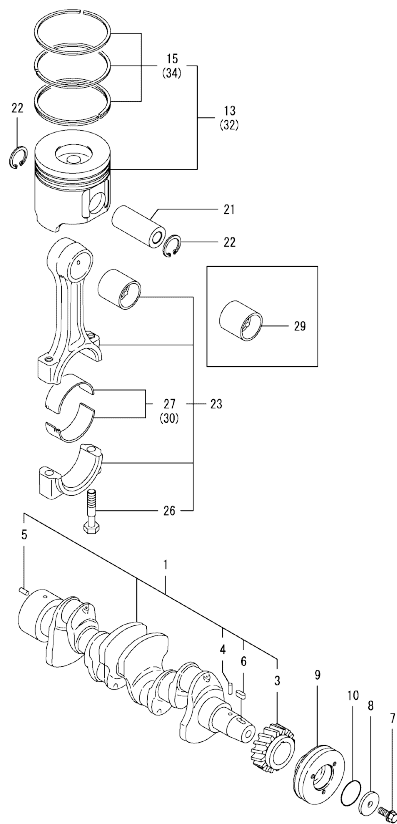


Fig.9. CRANKSHAFT & PISTON



(A)=4TNV98T-NKDC  
(B)=  
(C)=

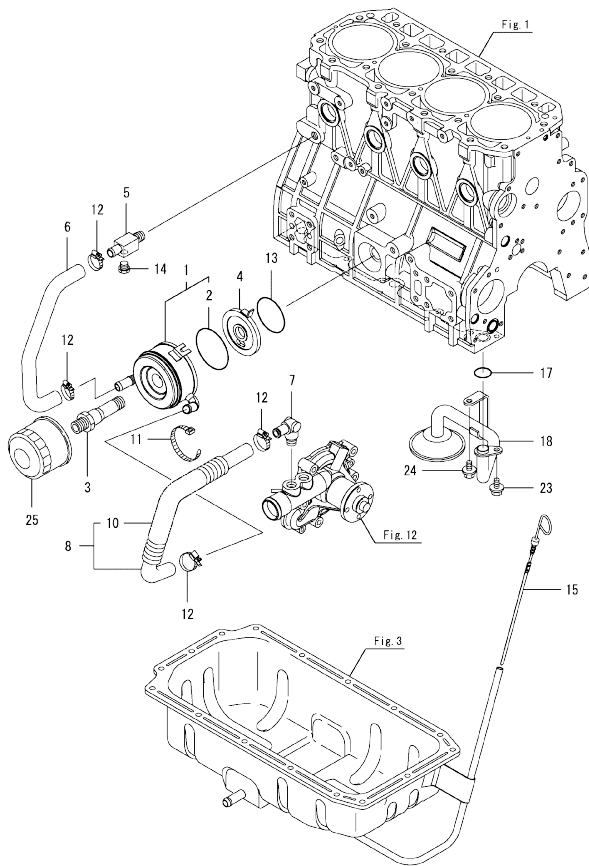
(D)=  
(E)=  
(F)=

No.	Lev.	Parts No.	Description	Q'ty						I	R
				(A)	(B)	(C)	(D)	(E)	(F)		
1	1	129908-21000	CRANKSHAFT ASSY	1							
3	2	129900-21200	GEAR, CRANKSHAFT	1							
4	2	121850-21290	PIN, CRANK GEAR	1							
5	2	121850-21920	PIN, PARALLEL 10X22	1							
6	2	22512-070140	KEY, 7X 14	1							
7	1	129916-21610	BOLT, V-PULLEY	1							
8	1	129960-21640	WASHER	1							
8-1	1	129960-21940 (A=EO4631)	WASHER, V-PULLEY	1						F	4
9	1	129907-21650	V-PULLEY, CRANKSHAFT	1							
10	1	24341-000530	O-RING, 1AS53.0	1							
10-1	1	129960-21930	GASKET, WASHER	1						F	4
10-2	1	129960-21950 (A=EO4631) (A=2019.12)	PACKING, WASHER	1							N
13	1	129908-22080	PISTON ASSY	4							
15	2	129907-22050	RING SET, PISTON	4							
15-1	2	129907-22051	RING SET, PISTON	4							R
21	1	120130-22301 (A=EG5644)	PIN, PISTON	4							
22	1	22252-000300	RING, 30	8							
23	1	129900-23001	ROD ASSY, CONNECTING	4							
26	2	129900-23200	BOLT, CONNECTING ROD	8							
27	2	129900-23601	METAL ASSY, CRANK PIN	4							
27-1	2	129927-23600 (A=2017.10)	BEARING ASSY, PIN	4							R
29	1	129900-23911	METAL, PISTON PIN	4							1
30	1	129900-23611	METAL ASSY, PIN .25	4							2
30-1	1	129927-23610 (A=2017.10)	BEARING ASSY, PIN US	4							R 2
32	1	729908-22900	PISTON ASSY, 0.25 OS	4							3
34	2	729907-22950	RING SET, PISTON .25	4							3

Remarks

- (1) Spare parts.
- (2) Under-sized (U.S.=0.25) parts.
- (3) Over-sized (O.S.=0.25) parts.
- (4) Interchangeable by simultaneous replacement with No.8-1 & 10-1.

Fig.10. LUB. OIL SYSTEM



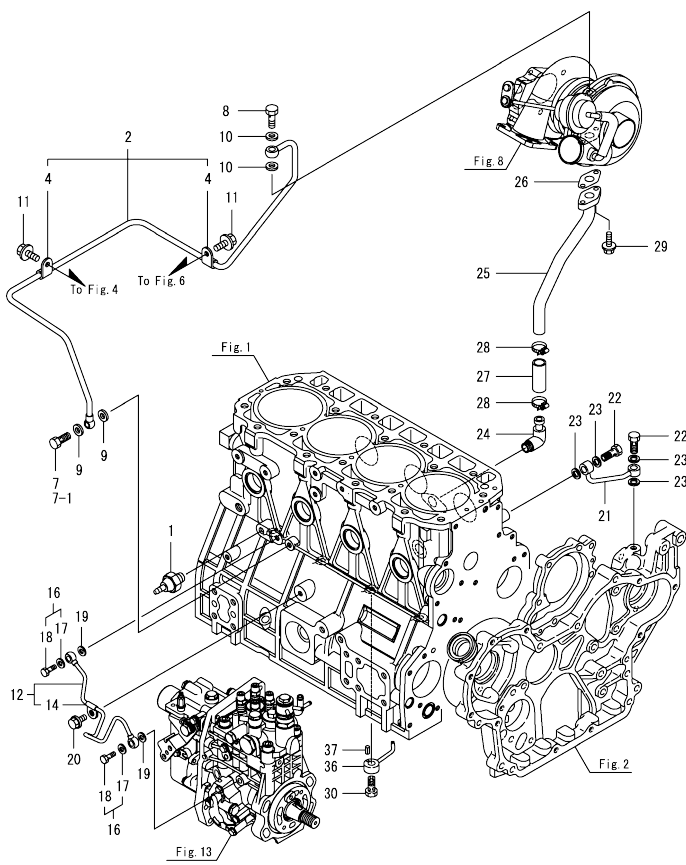
(A)=4TNV98T-NKDC  
(B)=  
(C)=

(D)=  
(E)=  
(F)=

No.	Lev.	Parts No.	Description	Q'ty						I	R
				(A)	(B)	(C)	(D)	(E)	(F)		
1	1	129908-33010	COOLER ASSY, OIL	1							
2	2	123912-33050	O-RING	1							
3	1	123912-33100	BOLT, COOLER	1							
4	1	129908-33101	BRACKET, COOLER	1							
5	1	129006-44480	JOINT, R02	1							
6	1	129908-49060	HOSE, WATER	1							
7	1	129466-49300	ELBOW, PT3/8	1							
8	1	123910-49600	HOSE ASSY WATER	1							
10	2	123910-49610	TUBE, CORRUGATED	1							
11	1	121750-59890	BAND, NYLON	1							Z
		(A=2013.06)									
12	1	23000-025000	CLAMP, 25	4							
13	1	24321-000600	O-RING, 1AG60.0	1							
14	1	171056-49120	PLUG, DRAIN R1/4	1							
15	1	129974-34810	DIPSTICK, OIL	1							
17	1	129900-32030	O-RING, P20	1							
18	1	129930-35000	PIPE ASSY, OIL INLET	1							
23	1	26106-080122	BOLT, M8X 12 PLATED	1							
24	1	26106-080122	BOLT, M8X 12 PLATED	1							
25	1	129150-35153	FILTER ASSY, D80X80L	1							1

Remarks  
(1)Spare parts.

Fig.11. LUB. OIL PIPE

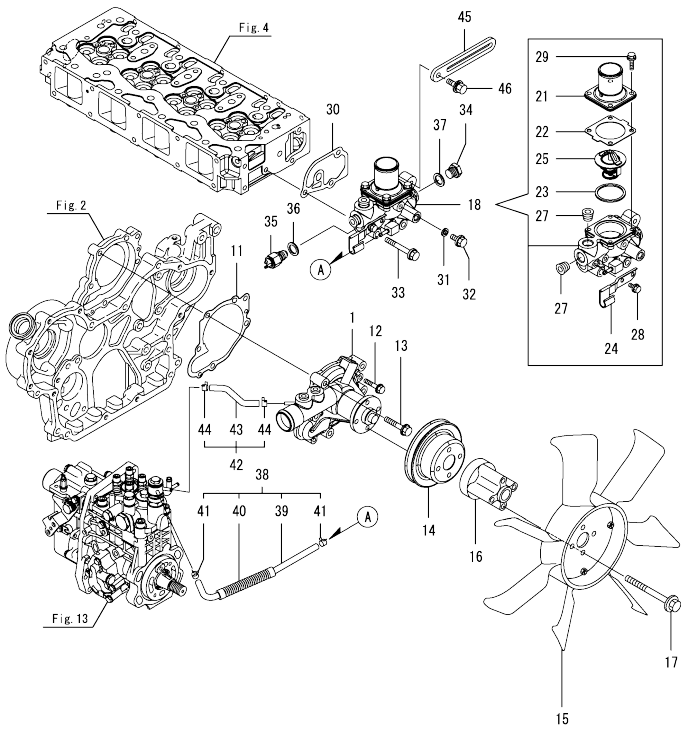


(A)=4TNV98T-NKDC  
(B)=  
(C)=

(D)=  
(E)=  
(F)=

No.	Lev.	Parts No.	Description	Q'ty						I	R
				(A)	(B)	(C)	(D)	(E)	(F)		
1	1	114250-39450	SWITCH, HYDRAULIC	1							
2	1	129908-39070	PIPE ASSY, OIL	1							
4	2	124223-39900	RETAINER	2							
7	1	105010-39140	BOLT, PIPE JOINT M8	1							
7-1	1	129198-59540	BOLT, PIPE JOINT M8	1							S
(A="2020.06)											
8	1	121252-39150	BOLT, JOINT M10X1.5	1							
9	1	22190-080002	WASHER, SEAL 8	2							
10	1	23414-100000	GASKET, 10X1.0	2							
11	1	26106-080122	BOLT, M8X 12 PLATED	2							
12	1	129907-39061	PIPE ASSY, OIL	1							
14	2	123907-39500	RETAINER, PIPE	1							
16	1	129005-59830	BOLT ASSY, JOINT M8	2							
17	2	22190-080002	WASHER, SEAL 8	2							
18	2	23857-030000	BOLT, JOINT 3	2							
19	1	22190-080002	WASHER, SEAL 8	2							
20	1	26106-080122	BOLT, M8X 12 PLATED	1							
21	1	129930-39050	PIPE, HO PUMP	1							
22	1	105010-39140	BOLT, PIPE JOINT M8	2							
23	1	22190-080002	WASHER, SEAL 8	4							
24	1	124070-13300	ELBOW, PT3/8	1							
25	1	129908-39610	PIPE, OIL RETURN	1							
26	1	129908-39690	GASKET, RETURN PIPE	1							
27	1	123901-39820	HOSE, OIL RETURN	1							
28	1	23000-025000	CLAMP, 25	2							
29	1	26106-060162	BOLT, M6X 16 PLATED	2							
30	1	129908-39410	VALVE ASSY, CHECK	4							
36	1	119000-39650	NOZZLE, COOLING	4							
37	1	22351-030010	PIN, SPRING 3.0X10	4							

Fig.12. COOLING WATER SYSTEM



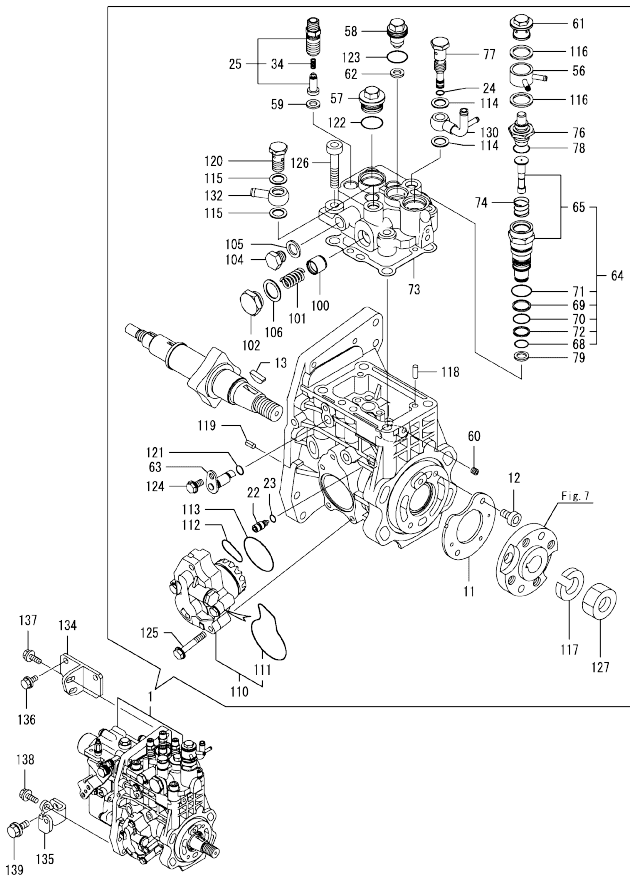
(A)=4TNV98T-NKDC  
(B)=  
(C)=

(D)=  
(E)=  
(F)=

No.	Lev.	Parts No.	Description	Qty						I	R
				(A)	(B)	(C)	(D)	(E)	(F)		
1	1	129907-42001	PUMP ASSY, WATER	1							
1-1	1	129907-42002	PUMP ASSY, WATER	1							R
(A=2014.07)											
11	1	129900-42020	GASKET, WATER PUMP	1							
12	1	26106-060302	BOLT, M6X 30 PLATED	2							
13	1	26106-080552	BOLT, M8X 55 PLATED	5							
14	1	129900-42450	V-PULLEY, PUMP	1							
15	1	129981-44740	FAN, COOLING D=450	1							
16	1	129900-44760	SPACER, FAN	1							
17	1	26106-080852	BOLT, M8X 85 PLATED	4							
18	1	129907-49800	CASE ASSY,THERMOSTAT	1							
21	2	129916-49530	COVER, THERMOSTAT	1							
22	2	121850-49540	GASKET, THERMOSTAT	1							
23	2	121850-49550	GASKET, THERMOSTAT	1							
24	2	129907-49730	RETAINER, PIPE	1							
25	2	121850-49810	THERMOSTAT, 71C	1							
25-1	2	121850-49811	THERMOSTAT, 71C	1							N
(A=EG5644)											
27	2	23875-030000	PLUG, R03	2							
28	2	26106-060122	BOLT, M6X 12 PLATED	1							
29	2	26106-060202	BOLT, M6X 20 PLATED	4							
30	1	129900-49870	GASKET, THERMOSTAT	1							
31	1	23414-080000	GASKET, 8X1.0	1							
32	1	26106-080122	BOLT, M8X 12 PLATED	1							
33	1	26106-080602	BOLT, M8X 60 PLATED	3							
34	1	121450-42450	PLUG, M16	1							
35	1	121250-44901	SWITCH, TEMPERATURE	1							
36	1	124465-44950	GASKET, 16	1							
37	1	124465-44950	GASKET, 16	1							
38	1	129907-49610	HOSE ASSY, WATER A	1							
39	2	129907-49710	HOSE, WATER A	1							
40	2	129907-49750	TUBE, CORRUGATED	1							
41	2	124722-59050	CLAMP, HOSE 9	2							
42	1	129907-49620	HOSE ASSY, WATER B	1							
43	2	129907-49720	HOSE, WATER B	1							
44	2	124722-59050	CLAMP, HOSE 9	2							
45	1	129900-77330	ADJUSTER, BELT	1							
46	1	26014-080252	BOLT, M8X 25	1							



Fig.13. FUEL INJECTION PUMP



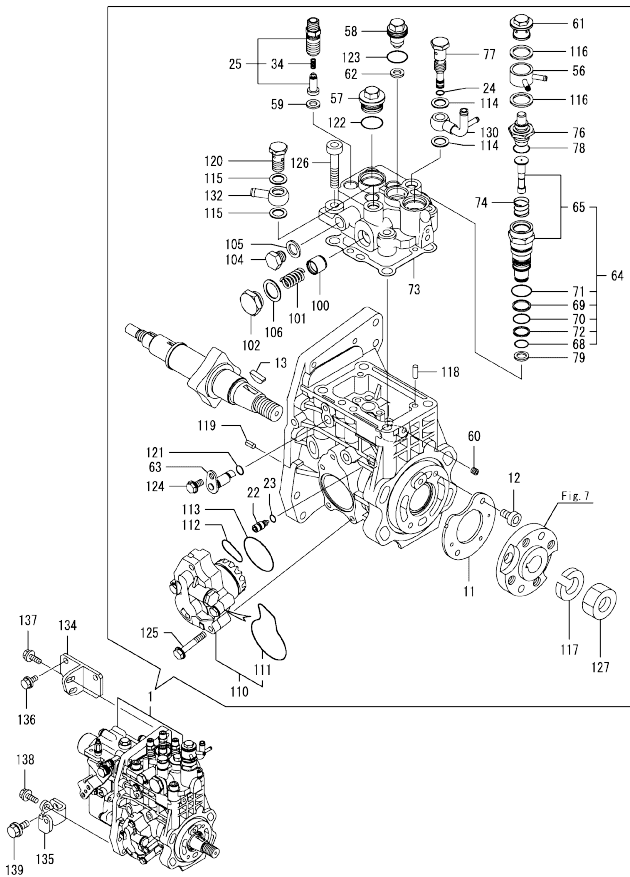
Remarks

(1)Governor(Fig.14) is incorporated in this Fuel Injection Pump(No.1).

No.	Lev.	Parts No.	Description	Q'ty						I	R
				(A)	(B)	(C)	(D)	(E)	(F)		
1	1	729974-51360	PUMP ASSY, INJECTION	1							1
11	2	129928-51900	COVER, OIL	1							
12	2	129008-51920	BOLT, M6X10	2							
13	2	144626-51090	KEY, FEATHER 5X19	1							
22	2	158600-51270	STOPPER, TAPPET	1							
23	2	158563-51281	O-RING, 4D S6	1							
24	2	158563-51281	O-RING, 4D S6	1							
25	2	129509-51390	VALVE ASSY, DELIVERY	4							
34	3	158563-51330	SPRING, DELIVERY	4							
56	2	158553-51551	JOINT, COOLING WATER	1							
57	2	158601-51550	PLUG, M22	1							
58	2	129907-51560	PLUG, M16	1							
59	2	158552-51571	GASKET, BARREL PLUG	4							
60	2	158557-51570	PLUG, RACK	1							
61	2	158601-51570	PLUG	1							
62	2	129906-51580	GASKET, BARREL PLUG	1							
63	2	158552-51580	LIFTER, LINK	1							
64	2	119802-51590	TIMER ASSY	1							
65	3	119802-51600	TIMER ASSY	1							
68	3	158553-51670	O-RING, PUMP TIMER	1							
69	3	119802-51680	RING, BACKUP	1							
70	3	119802-51690	O-RING, 1016	1							
71	3	24356-190200	O-RING, 4D19020	1							
72	3	24372-000150	RING, BACK UP T2P15	1							
73	2	158560-51600	GASKET, HEAD	1							
74	2	158553-51630	SPRING, TIMER	1							
76	2	158553-51640	ELEMENT, THERMOSTAT	1							
77	2	158601-51650	JOINT, OVERFLOW	1							
78	2	158553-51660	O-RING, P14	1							
79	2	158553-51680	GASKET, TIMER	1							
100	2	158601-51770	PISTON, ACCUMULATOR	1							
101	2	158552-51781	SPRING, ACCUMULATOR	1							
102	2	158601-51790	PLUG, ACCUMULATOR	1							
104	2	158553-51930	PLUG, M12	1							
105	2	22190-120002	WASHER, SEAL 12	1							
106	2	22190-180002	WASHER, SEAL 18	1							
110	2	158552-52100	PUMP ASSY, FUEL FEED	1							
111	3	158552-52500	O-RING, PUMP INNER	1							
112	2	158552-52311	O-RING, FEED PUMP	1							
113	2	158552-52400	O-RING, 4E S42	1							
114	2	22190-120002	WASHER, SEAL 12	2							
115	2	22190-120002	WASHER, SEAL 12	2							
116	2	22190-180002	WASHER, SEAL 18	2							
117	2	22217-180000	WASHER, SPRING 18	1							
118	2	22312-050140	PIN, PARALLEL 5X14	2							
119	2	22351-050010	PIN, SPRING 5.0X10	2							
120	2	23857-060000	BOLT, JOINT 6	1							
121	2	24311-000070	O-RING, 1AP7.0	1							
122	2	24356-190200	O-RING, 4D19020	1							
123	2	24356-240210	O-RING, 4D24021	1							
124	2	26106-060102	BOLT, M6X 10 PLATED	1							

N:Old <sup>REV</sup>/<sub>REV</sub> New, Q:Old <sup>REV</sup>/<sub>REV</sub> New, R:Old <sup>REV</sup>/<sub>REV</sub> New, S:Old <sup>REV</sup>/<sub>REV</sub> New, W:Add, Z:Discontinued, F:Interchangeable by set, K:Q'ty Change  
 ++ CONTINUE ++  
 Copyright (C) 2020 YANMAR GLOBAL CS CO., LTD. All Rights Reserved.

Fig.13. FUEL INJECTION PUMP



No.	Lev.	Parts No.	Description	Q'ty						I	R
				(A)	(B)	(C)	(D)	(E)	(F)		
125	2	26106-060352	BOLT, M6X 35 PLATED	4							
126	2	26450-100452	BOLT, M10X 45	4							
127	2	26776-180002	NUT, LOCK M18	1							
130	2	158552-51670	JOINT, OVERFLOW	1							
132	2	129916-59020	JOINT, PIPE 12	1							
134	1	129907-01950	RETAINER, PUMP UPPER	1							
135	1	129907-01960	RETAINER, PUMP LOWER	1							
136	1	26106-080162	BOLT, M8X 16 PLATED	2							
137	1	26106-080222	BOLT, M8X 22 PLATED	2							
138	1	26106-080222	BOLT, M8X 22 PLATED	1							
139	1	26106-100202	BOLT, M10X 20 PLATED	1							

(A)=4TNV98T-NKDC  
(B)=  
(C)=

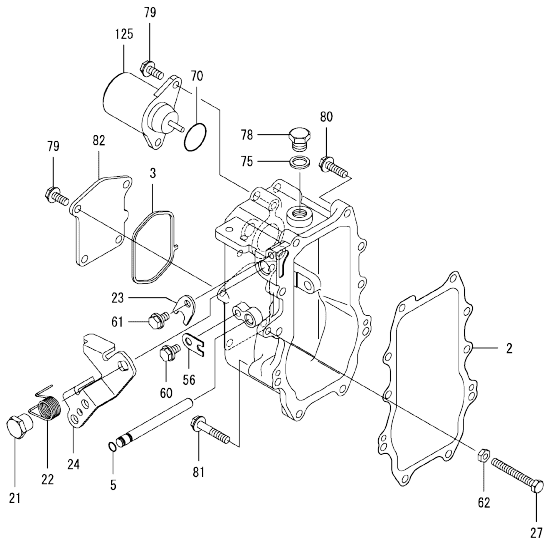
(D)=  
(E)=  
(F)=

Remarks

(1)Governor(Fig.14) is incorporated in this Fuel Injection Pump(No.1).

0CW10-M58901 ENGINE  
 Fig.14. GOVERNOR

0CW10-M58901 Fig.14



(A)=4TNV98T-NKDC  
 (B)=  
 (C)=

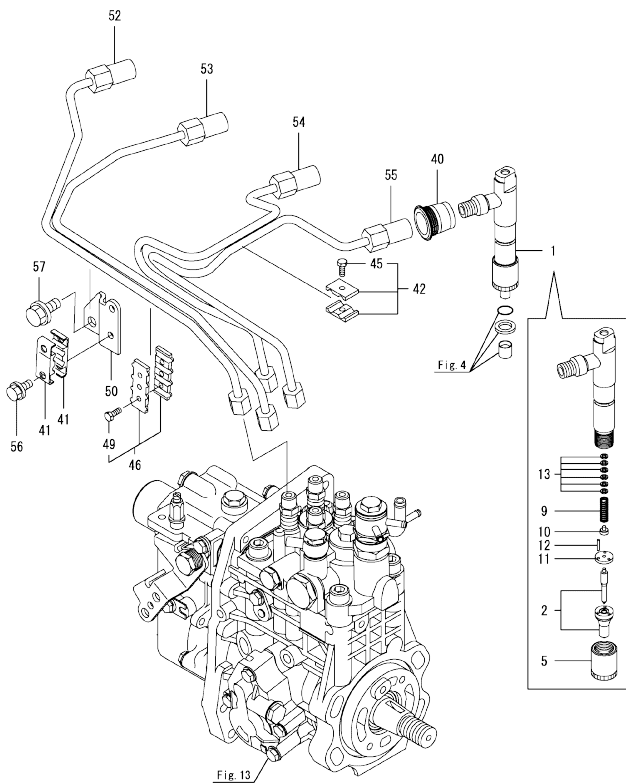
(D)=  
 (E)=  
 (F)=

No.	Lev.	Parts No.	Description	Qty						I	R
				(A)	(B)	(C)	(D)	(E)	(F)		
2	2	158560-61050	GASKET, CASE	1							
3	2	158560-61071	GASKET, CASE	1							
5	2	129155-51280	O-RING, S6	1							
21	2	129255-61410	NUT, CONTROL LEVER	1							
22	2	119807-61420	SPRING, RETURN	1							
23	2	158560-61430	STOPPER, SHAFT	1							
24	2	158560-61442	LEVER, REGULATOR	1							
27	2	129155-61460	BOLT, IDLE LIMIT	1							
27-1	2	129155-61461	BOLT, IDLE LIMIT	1							N
(A=2017.03)											
56	2	119660-61901	STOPPER, SHAFT	1							
60	2	26106-060102	BOLT, M6X 10 PLATED	1							
61	2	26106-060102	BOLT, M6X 10 PLATED	1							
62	2	26756-060002	NUT, LOCK M6	1							
62-1	2	119740-61470	NUT	1							N
(A=2017.04)											
70	2	158552-61900	O-RING	1							
75	2	22190-160002	WASHER, SEAL 16	1							
78	2	23887-160002	PLUG, 16	1							
79	2	26106-060142	BOLT, M6X 14 PLATED	6							
79-1	2	26106-060122	BOLT, M6X 12 PLATED	6							N
(A=2018.08)											
80	2	26106-060252	BOLT, M6X 25 PLATED	8							
81	2	26106-060402	BOLT, M6X 40 PLATED	2							
82	2	158560-61061	COVER, GOVERNOR CASE	1							
125	2	119653-77950	SOLENOID, STOP	1							

Remarks  
 \* This figure(Governor) is incorporated in the Fuel Injection Pump(Fig.13).

N:Old  $\frac{100}{100}$  New, Q:Old  $\frac{100}{100}$  New, R:Old  $\frac{100}{100}$  New, S:Old  $\frac{100}{100}$  New, W:Add, Z:Discontinued, F:Interchangeable by set, K:Qty Change  
 Copyright (C) 2020 YANMAR GLOBAL CS CO., LTD. All Rights Reserved.

Fig.15. FUEL INJECTION VALVE



(A)=4TNV98T-NKDC  
(B)=  
(C)=

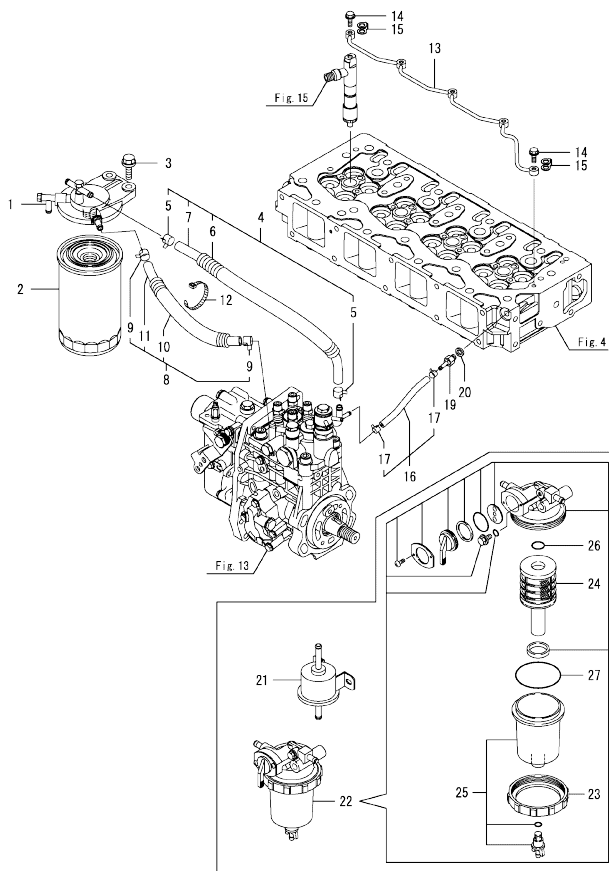
(D)=  
(E)=  
(F)=

No.	Lev.	Parts No.	Description	Q'ty						I	R
				(A)	(B)	(C)	(D)	(E)	(F)		
1	1	729908-53100	VALVE ASSY,INJECTION	4							
2	2	129908-53000	VALVE ASSY,INJECTION	4							
5	2	114250-53080	NUT, NOZZLE	4							
9	2	114250-53120	SPRING, NOZZLE	4							
10	2	114250-53130	SEAT, SPRING	4							
11	2	114250-53140	SPACER, VALVE STOP	4							
12	2	114250-53210	PIN, POSITIONING	8							
13	2	119803-53400	SHIM SET	4							1
40	1	123907-11601	SEAL, PIPE	4							
41	1	122780-59100	RETAINER, PIPE	2							
42	1	119305-59120	RETAINER, PIPE	1							
45	2	129150-59131	BOLT, M4X14	1							
46	1	129550-59120	RETAINER, PIPE	1							
49	2	129150-59131	BOLT, M4X14	2							
50	1	129907-59710	SUPPORT, PIPE CLAMP	1							
52	1	129908-59810	PIPE ASSY, INJECTION	1							
53	1	129908-59820	PIPE ASSY, INJECTION	1							
54	1	129908-59830	PIPE ASSY, INJECTION	1							
55	1	129908-59840	PIPE ASSY, INJECTION	1							
56	1	26106-060162	BOLT, M6X 16 PLATED	2							
57	1	26106-080182	BOLT, M8X 18 PLATED	1							

Remarks  
(1)Spare parts.

0CW10-M58901 ENGINE  
 Fig.16. FUEL PIPE

0CW10-M58901 Fig.16



(A)=4TNV98T-NKDC  
 (D)=  
 (E)=  
 (F)=

No.	Lev.	Parts No.	Description	Q'ty						I	R
				(A)	(B)	(C)	(D)	(E)	(F)		
1	1	129004-55612	BRACKET, FILTER	1							
2	1	123907-55801	FILTER, FUEL	1							
3	1	26106-080302	BOLT, M8X 30 PLATED	2							
4	1	129457-59010	HOSE ASSY, FUEL	1							
5	2	124766-59050	CLAMP, HOSE 11.5	2							
6	2	129957-59120	TUBE, CORRUGATED 15	1							
7	2	105025-59750	HOSE, FUEL	1							
8	1	129981-59010	HOSE ASSY, FUEL	1							
9	2	124766-59050	CLAMP, HOSE 11.5	2							
10	2	129950-59221	TUBE, CORRUGATED 15	1							
11	2	129980-59510	HOSE, FUEL	1							
12	1	121750-59890	BAND, NYLON	1							
13	1	129907-59140	PIPE ASSY, RETURN	1							
14	1	123907-59540	BOLT, PIPE JOINT M6	5							
15	1	123907-59550	GASKET, FUEL RETURN	5							
16	1	129486-59551	HOSE ASSY, RETURN	1							
17	2	124722-59050	CLAMP, HOSE 9	2							
19	1	123907-59560	JOINT, HOSE	1							
20	1	22190-080002	WASHER, SEAL 8	1							
21	1	119225-52102	PUMP, FUEL FEED	1							1
22	1	119802-55700	SEPARATOR ASSY, WATER	1							1
23	2	129100-55690	NUT, RETAINING	1							1
24	2	119802-55710	ELEMENT, FUEL	1							1
25	2	119802-55730	CUP ASSY, SEPARATOR	1							1
26	2	24311-000160	O-RING, 1AP16.0	1							1
27	2	24321-000650	O-RING, 1AG65.0	1							1

Remarks  
 (1) Loose parts.

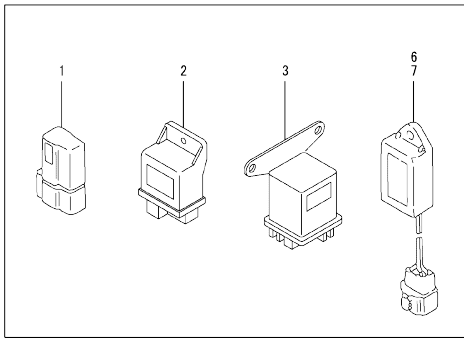
N:Old  $\frac{100}{100}$  New, Q:Old  $\frac{100}{100}$  New, R:Old  $\frac{100}{100}$  New, S:Old  $\frac{100}{100}$  New, W:Add, Z:Discontinued, F:Interchangeable by set, K:Qty Change  
 Copyright (C) 2020 YANMAR GLOBAL CS CO., LTD. All Rights Reserved.

Fig.17. ELECTRIC PARTS

(A)=4TNV98T-NKDC  
(B)=  
(C)=

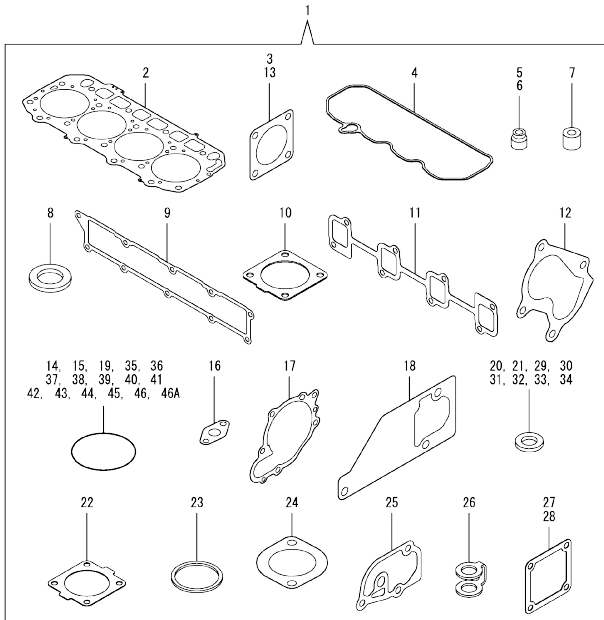
(D)=  
(E)=  
(F)=

No.	Lev.	Parts No.	Description	Q'ty						I	R
				(A)	(B)	(C)	(D)	(E)	(F)		
1	1	119643-66900 (A=2012.04)	DIODE	1						Z	1
2	1	119802-77200 (A=2012.04)	RELAY, SAFETY	1						Z	1
3	1	119650-77910	RELAY ASSY, GLOW	1							1
3-1	1	119650-77911 (A=EG5644)	RELAY ASSY, GLOW	1							N 1
3-2	1	119650-77911 (A=2012.04)	RELAY ASSY, GLOW	1						Z	1
6	1	128300-77920 (A=2012.04)	TIMER, GLOW PLUG	1						Z	1
7	1	129211-77920	TIMER, SECTION 1	1							1



Remarks  
(1) Loose parts.

Fig.18. GASKET SET



(A)=4TNV98T-NKDC  
(B)=  
(C)=

(D)=  
(E)=  
(F)=

No.	Lev.	Parts No.	Description	Qty						I	R
				(A)	(B)	(C)	(D)	(E)	(F)		
1	1	129908-92600	GASKET SET	1							1
2	2	129907-01331	GASKET, HEAD	1							
3	2	124240-01883	GASKET, PUMP	2							
3-1	2	129C26-01890	GASKET, PUMP	2							R
		(A=2012.05)									
4	2	129933-11310	GASKET, BONNET	1							
5	2	119803-11340	SEAL, VALVE STEM	8							
6	2	124160-11340	SEAL, VALVE STEM	8							
7	2	119802-11870	PROTECTOR, NOZZLE	4							
8	2	119625-11880	SEAT, NOZZLE	4							
9	2	129907-12110	GASKET, MANIFOLD	1							
10	2	129930-13201	GASKET, SILENCER	1							
11	2	129900-13251	GASKET, MANIFOLD	1							
12	2	123901-18080	GASKET, TURBINE OUT	1							
13	2	129472-18090	GASKET, TURBINE IN	1							
14	2	129900-32030	O-RING, P20	2							
15	2	129900-32040	O-RING, P14	1							
16	2	129908-39690	GASKET, RETURN PIPE	1							
17	2	129900-42020	GASKET, WATER PUMP	1							
18	2	129900-42061	GASKET, WATER PUMP	1							
19	2	129900-42140	O-RING, P36	2							
20	2	124465-44950	GASKET, 16	4							
21	2	129150-49360	GASKET, 10	2							
22	2	121850-49540	GASKET, THERMOSTAT	1							
23	2	121850-49550	GASKET, THERMOSTAT	1							
24	2	129900-49560	GASKET, COVER	1							
25	2	129900-49870	GASKET, THERMOSTAT	1							
26	2	123907-59550	GASKET, FUEL RETURN	5							
27	2	119129-77020	GASKET, AIR HEATER	1							
28	2	121850-77021	GASKET, AIR HEATER	1							
29	2	22190-080002	WASHER, SEAL 8	11							
30	2	22190-120002	WASHER, SEAL 12	1							
31	2	22190-220002	WASHER, SEAL 22	1							
32	2	22190-300002	WASHER, SEAL 30	1							
33	2	23414-080000	GASKET, 8X1.0	3							
34	2	23414-100000	GASKET, 10X1.0	2							
35	2	24311-000070	O-RING, 1AP7.0	1							
36	2	24311-000120	O-RING, 1AP12.0	8							
37	2	24311-000150	O-RING, 1AP15.0	1							
38	2	24311-000300	O-RING, 1AP30.0	1							
39	2	24311-000320	O-RING, 1AP32.0	3							
40	2	24311-240100	O-RING, 1AP10A	1							
41	2	24316-240100	O-RING, 4DP10A	1							
42	2	24321-000600	O-RING, 1AG60.0	1							
43	2	24321-000700	O-RING, 1AG70.0	1							
44	2	24321-000850	O-RING, 1AG85.0	1							
45	2	24341-000530	O-RING, 1AS53.0	1							
46	2	24351-030750	O-RING, 1A3075	1							
46A	2	123912-33050	O-RING	1							W
		(A=EB9920)									

Remarks

(1)Optional parts.





## Parts No. Index

Parts No.	Fig. No.	Ref. No.
129907-11800	4	80
129907-11910	4	26
129907-11920	4	43
129907-11950	4	27
129907-11960	4	26 -1
129907-12100	5	1
129907-12110	5	2
	18	9
129907-14400	7	2
129907-21650	9	9
129907-22050	9	15
129907-22051	9	15 -1
129907-25900	7	15
129907-39061	11	12
129907-42001	12	1
129907-42002	12	1 -1
129907-49610	12	38
129907-49620	12	42
129907-49710	12	39
129907-49720	12	43
129907-49730	12	24
129907-49750	12	40
129907-49800	12	18
129907-51560	13	58
129907-59140	16	13
129907-59710	15	50
129908-03099	4	64
129908-03230	4	66
129908-03240	4	68
129908-03250	4	69
129908-11700	4	2
129908-13100	6	1
129908-14581	7	3
129908-18010	8	1
129908-18011	8	1 -1
129908-18350	5	7
129908-21000	9	1
129908-22080	9	13
129908-32060	2	8
129908-33010	10	1
129908-33101	10	4
129908-39070	11	2
129908-39410	11	30
129908-39610	11	25
129908-39690	11	26
	18	16
129908-49060	10	6
129908-53000	15	2
129908-59810	15	52
129908-59820	15	53

Parts No.	Fig. No.	Ref. No.
129908-59830	15	54
129908-59840	15	55
129908-92600	18	1
129916-01790	3	11 -1
129916-01800	2	3
129916-21610	9	7
129916-49530	12	21
129916-59020	13	132
129927-02340	1	35 -1
129927-02930	1	24 -1
129927-02940	1	38 -1
129927-23600	9	27 -1
129927-23610	9	30 -1
129927-25100	7	10 -1
129927-25920	7	18 -1
129927-42140	2	13 A
129928-51900	13	11
129930-13201	18	10
129930-35000	10	18
129930-39050	11	21
129933-01500	2	7
129933-11310	4	55
	18	4
129933-11320	4	50
129935-03260	4	71
129935-03270	4	72
129950-59221	16	10
129951-01740	2	5 -1
129953-25300	7	14
129957-59120	16	6
129960-01640	3	9
129960-01690	3	9 -1
129960-03990	4	76
129960-21640	9	8
129960-21930	9	10 -1
129960-21940	9	8 -1
129960-21950	9	10 -2
129966-01650	3	9 -2
129974-01740	3	1
129974-34810	10	15
129980-59510	16	11
129981-44740	12	15
129981-59010	16	8
129C26-01890	18	3 -1
129E00-13640	6	3 -1
144626-51090	13	13
158552-51571	13	59
158552-51580	13	63
158552-51670	13	130
158552-51781	13	101

Parts No.	Fig. No.	Ref. No.
158552-52100	13	110
158552-52311	13	112
158552-52400	13	113
158552-52500	13	111
158552-61900	14	70
158553-51551	13	56
158553-51630	13	74
158553-51640	13	76
158553-51660	13	78
158553-51670	13	68
158553-51680	13	79
158553-51930	13	104
158557-51570	13	60
158560-51600	13	73
158560-61050	14	2
158560-61061	14	82
158560-61071	14	3
158560-61430	14	23
158560-61442	14	24
158563-51150	7	19
158563-51281	13	23
		24
158563-51330	13	34
158600-51270	13	22
158601-51550	13	57
158601-51570	13	61
158601-51650	13	77
158601-51770	13	100
158601-51790	13	102
171031-11741	2	31
171051-01921	1	5
171056-49120	10	14
22190-080002	11	9
		17
		19
		23
	16	20
	18	29
22190-120002	13	105
		114
		115
	18	30
22190-160002	14	75
22190-180002	13	106
		116
22190-220002	18	31
22190-300002	18	32
22217-180000	13	117
22252-000300	9	22
22312-050140	13	118

Parts No.	Fig. No.	Ref. No.
22351-030010	11	37
22351-050010	13	119
22351-060012	1	11
22512-070140	7	7
	9	6
22857-500100	4	57
23000-022000	4	77
23000-025000	10	12
	11	28
23000-054000	5	6
23001-022000	3	5
		6
23414-080000	12	31
	18	33
23414-100000	11	10
	18	34
23857-030000	11	18
23857-060000	13	120
23875-030000	12	27
23876-020000	4	8
23876-030000	1	12
		13
		14
	4	9
23887-160002	14	78
24311-000070	2	15
	13	121
	18	35
24311-000120	4	28
		59
	18	36
24311-000150	18	37
24311-000160	16	26
24311-000300	18	38
24311-000320	2	27
		32
	4	60
24311-240100	18	39
24316-240100	18	41
24321-000600	10	13
	18	42
24321-000650	16	27
24321-000700	18	43
24321-000850	2	29
	18	44
24341-000530	9	10
	18	45
24351-030750	2	16
	18	46

## Parts No. Index

Parts No.	Fig. No.	Ref. No.
24356-190200	13	71 122
24356-240210	13	123
24372-000150	13	72
26014-080252	12	46
26106-060102	13	124
	14	60 61
26106-060122	12	28
	14	79 -1
26106-060142	14	79
26106-060162	11	29
	15	56
26106-060202	12	29
26106-060252	14	80
26106-060302	12	12
26106-060352	13	125
26106-060402	14	81
26106-080122	3	7
	4	78
	10	23 24
	11	11
	12	20
	12	32
26106-080142	4	79
	7	8 -1
26106-080162	2	17
		18
	4	62
	7	8
	13	136
26106-080182	15	57
26106-080202	2	17 -1
		19
26106-080222	13	137
		138
26106-080302	16	3
26106-080402	2	20
		21
	4	45
26106-080452	2	21 -1
		22
26106-080552	5	3
	7	13
	12	13
26106-080602	4	46
		47
	12	33
26106-080702	2	23

Parts No.	Fig. No.	Ref. No.
26106-080702	2	24
	5	11
26106-080752	2	24 -1
26106-080852	5	4
	12	17
26106-081202	5	12
26106-100202	2	30
	13	139
26116-050102	4	70
26216-100302	2	9
26226-080222	4	44
26306-080002	4	48
	8	3
26306-100002	2	25
26450-100452	13	126
26756-060002	14	62
26776-180002	13	127
27241-300000	1	10
27241-400000	4	10
27310-070001	4	22
729900-02801	1	32
729906-01550	2	1
729907-22950	9	34
729908-01560	1	1
729908-22900	9	32
729908-53100	15	1
729927-02800	1	32 -1
729974-51360	13	1

Parts No.	Fig. No.	Ref. No.
-----------	----------	----------

Parts No.	Fig. No.	Ref. No.
-----------	----------	----------