

0CW10-M10000EN

# PREFACE

- 1.This Parts Catalog carries all parts incorporated in YANMAR Model 4TNV98T-N2FN engine manufactured since March, 2006.
- 2.Each illustration corresponds to the parts list on the following page.
- 3.When ordering parts,clearly write down the engine model and serial number,as well as the name and number of each part in your order sheet. This will help insure reliable delivery of the parts you have ordered.

## Directions for the Parts Catalog.

1. The parts stipulated in this Parts Catalog are not necessarily standard equipped parts.
2. Parts may change without prior notice.
3. The following is an example of the Parts Catalog format.

REF.	LEV.	PARTS NO.	DESCRIPTION	Q'TY						I	R
				(A)	(B)	(C)	(D)	(E)	(F)		
1	1	729595-51390	FUEL INJECTION PUMP	1	1	1	1	1			1
1-1	1	729595-51391	FUEL INJECTION PUMP	1	1	1	1	1		N	1
		(A=E00185) (B=E00200)									
3	2	26022-060162	SCREW M 6X 16	9	9	9	9	9			
3-1	2	26022-060162	SCREW M 6X 16	4	4	4	4	4		K	
		(A=E00156) (B=E00156) (C=E00156) (D=E00156) (E=E00156)									
4	2	129470-51040	CAMSHAFT	1	1	1	1	1			
5	2	122710-51050	BEARING, ROLLER	2	2	2	2	2			
6	2	129470-51060	RETAINER	1	1	1	1	1			

Remarks
(1) BOOST COMPEMSATOR TYPE. OPTIONAL PART, TO E00155,(4JH-DT, 4JH-DTZ

### ① Ref. No.

The Ref. No. listed may not be in accordance with the illustration Ref. No.

(Ex.) Illustration No.

List Ref No.

1 1 (Before change) → 1-1 (After change)

For interchangeable symbols N, R and K, illustrations for new parts may be abbreviated.

### ② Lev. (Level)

Level indication

The numbers below indicate the level of relativity towards the main part.

1 ---- Main parts (Assembly parts)

2 ---- Sub component included in " 1 ".

3 ---- Sub component included in " 2 ".

Note) Parts that are not for sale are partially illustrated but not listed.

### ③ Interchangeability Mark

When a part change takes place, one of the following interchangeability symbols is indicated beside the part.

Symbol	Interchangeability	Contents note
N	Old $\begin{matrix} \leftarrow \text{Yes} \\ \text{No} \rightarrow \end{matrix}$ New	New Part is interchangeable for Old Part but Old Part is not interchangeable for New Part.
Q	Old $\begin{matrix} \leftarrow \text{No} \\ \text{Yes} \rightarrow \end{matrix}$ New	New Part is not interchangeable for Old Part but Old Part is interchangeable for New Part.
R	Old $\begin{matrix} \leftarrow \text{Yes} \\ \text{Yes} \rightarrow \end{matrix}$ New	New/ Old Parts are both interchangeable.
S	Old $\begin{matrix} \leftarrow \text{No} \\ \text{No} \rightarrow \end{matrix}$ New	New/ Old Parts are both not interchangeable.
W		Part newly added.
Z		Part discontinued.
F		Not interchangeable by a single part but interchangeable together with related parts.
K		Changes only for used parts quantities.

### ④ Effective Machine No.

When a part changes, the effective Machine No. will be indicated in the (A)-(F) column.

Product Symbol	Product No.	Product Symbol	Product No.
C	Clutch No. Compressor No.	F	Machine No. (Agricultural Equip.)
D	Drive No.	M	Machine No.
E	Engine No.		

Note 1) A date may follow the symbol. (Ex.) 1996.01

Note 2) "XXXXX" and "ZZZZZ" are for parts that could not be predicted or for engine models that could not be identified.

Note 3) (A=E00185) is the E (Engine Serial Number) for the column (A) model (in this case 4JH-DT) after the parts design change.

### ⑤ Remarks Mark

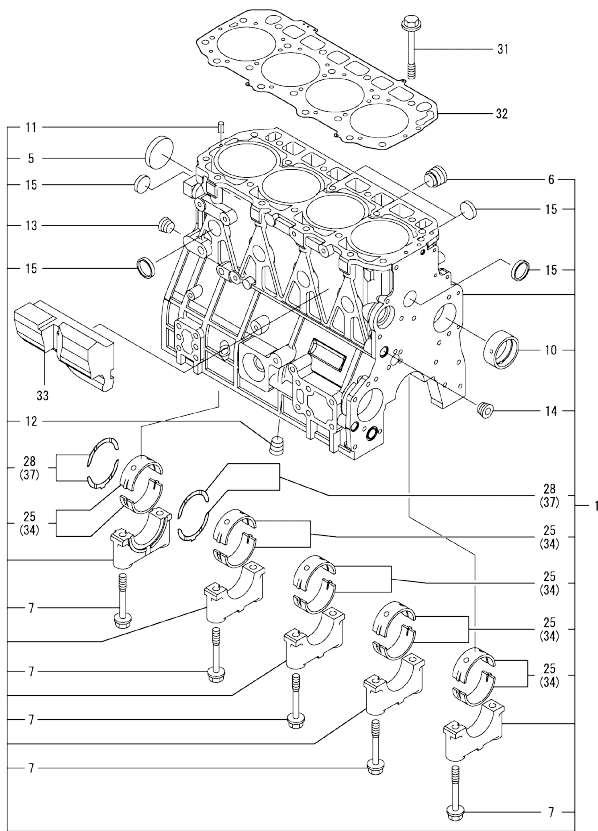
Figures or alphabets (symbols) are entered in the remarks column.

The comments (remarks) on parts that are indicated at the bottom of the illustration are the same symbols as those stated above.

## Contents

Fig. No.	Fig. Name	Fig. No.	Fig. Name
ENGINE SECTION (4TNV98T-N2FN)			
1.	CYLINDER BLOCK		
2.	GEAR HOUSING		
3.	FLYWHEEL HOUSING & OIL SUMP		
4.	CYLINDER HEAD & BONNET		
5.	SUCTION MANIFOLD & AIR CLEANER		
6.	EXHAUST MANIFOLD & SILENCER		
7.	CAMSHAFT & DRIVING GEAR		
8.	TURBINE		
9.	CRANKSHAFT & PISTON		
10.	LUB.OIL SYSTEM		
11.	LUB.OIL LINE		
12.	COOLING WATER SYSTEM		
13.	FUEL INJECTION PUMP		
14.	GOVERNOR		
15.	FUEL INJECTION VALVE		
16.	FUEL LINE		
17.	STARTING MOTOR		
18.	GENERATOR		
19.	GASKET SET & TOOLS		

Fig.1. CYLINDER BLOCK



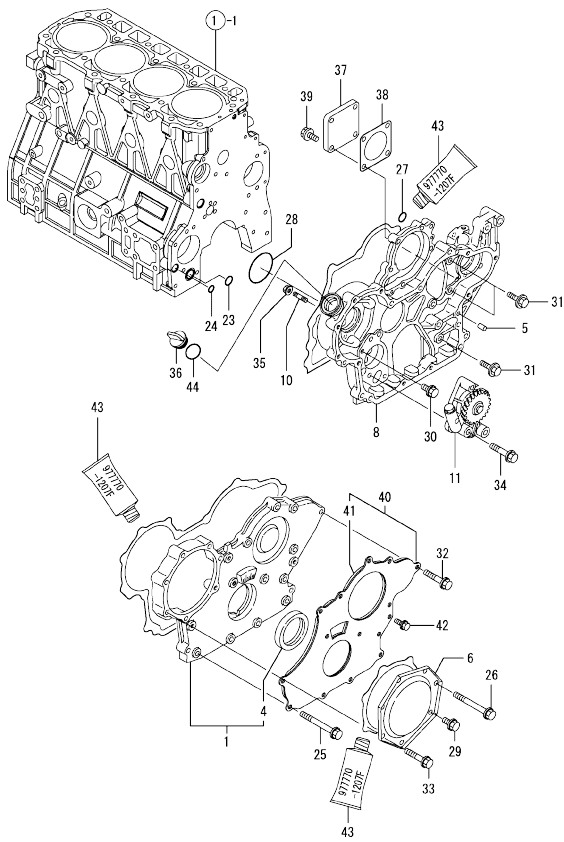
(A)=4TNV98T-N2FN  
(B)=  
(C)=

(D)=  
(E)=  
(F)=

No.	Lev.	Parts No.	Description	Q'ty						I	R
				(A)	(B)	(C)	(D)	(E)	(F)		
1	1	729908-01560	BLOCK ASSY, CYLINDER	1							
5	2	129900-01250	PLUG, 55	1							
6	2	171051-01921	PLUG, NPTF1	1							
7	2	129900-02020	BOLT, METAL CAP	10							
10	2	129900-02410	BUSH, CAMSHAFT	1							
11	2	22351-060012	PIN, SPRING 6.0X12	2							
12	2	23876-030000	PLUG, R03	1							
13	2	23876-030000	PLUG, R03	1							
14	2	23876-030000	PLUG, R03	1							
15	2	27241-300000	PLUG 30	8							
25	2	729900-02800	BEARING, MAIN	5							3
28	2	129900-02930	BEARING, THRUST	2							
31	1	129900-01200	BOLT, HEAD	18							
32	1	129907-01331	GASKET, HEAD	1							
33	1	129907-01190	SPACER	1							
34	1	129900-02340	BEARING, 0.25 US	5							1
37	1	129900-02940	BEARING, THRUST 0.25	2							2

Remarks  
 (1) UNDER-SIZED(U.S=0.25)PART.  
 (2) OVER-SIZED(O.S=0.25)PART.  
 (3) REPAIR PART.

Fig.2. GEAR HOUSING



(A)=4TNV98T-N2FN  
(B)=  
(C)=

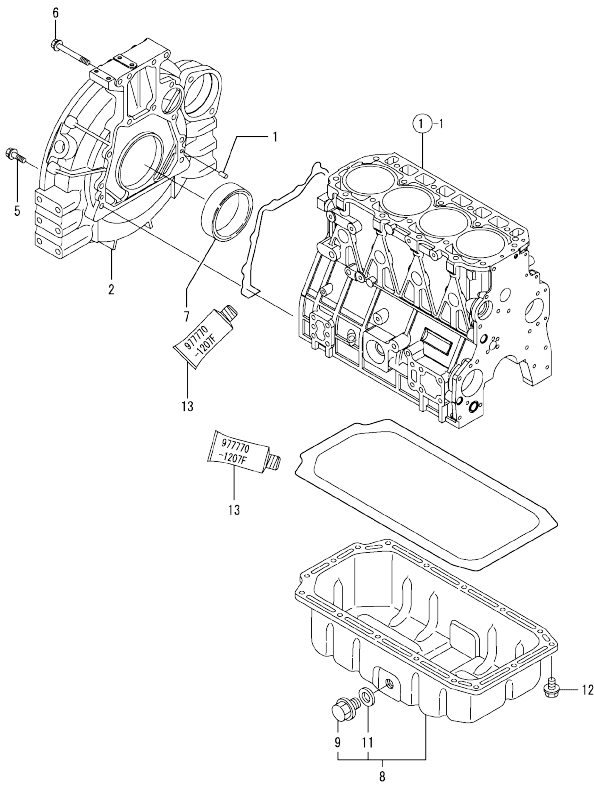
(D)=  
(E)=  
(F)=

No.	Lev.	Parts No.	Description	Q'ty						I	R
				(A)	(B)	(C)	(D)	(E)	(F)		
1	1	729907-01550	COVER ASSY,GEAR CASE	1							
4	2	129900-01780	SEAL, OIL	1							
5	1	129100-01580	PIN, M8X16	4							
6	1	129900-01740	COVER	1							
8	1	129908-01500	CASE, GEAR	1							
10	1	26216-100302	STUD, M10X 30	4							
11	1	129908-32060	PUMP ASSY, OIL	1							
23	1	129900-32030	O-RING, P20	1							
24	1	129900-32040	O-RING, P14	1							
25	1	129001-91810	BOLT, M8X70	6							
26	1	129001-91810	BOLT, M8X70	1							
27	1	24311-000070	O-RING, 1AP7.0	1							
28	1	24351-030750	O-RING, 1A3075	1							
29	1	26106-080162	BOLT, M8X 16 PLATED	1							
30	1	26106-080162	BOLT, M8X 16 PLATED	1							
31	1	26106-080202	BOLT, M8X 20 PLATED	3							
32	1	26106-080402	BOLT, M8X 40 PLATED	5							
33	1	26106-080402	BOLT, M8X 40 PLATED	5							
34	1	26106-080452	BOLT, M8X 45 PLATED	3							
35	1	26306-100002	NUT, M10	4							
36	1	124160-01751	COVER, FILLER	1							
37	1	124240-01871	COVER	1							
38	1	124240-01883	GASKET	1							
39	1	26106-080162	BOLT, M8X 16 PLATED	4							
40	1	129900-01850	COVER ASSY,GEAR CASE	1							
41	2	129900-01870	SPONGE	1							
42	1	26106-080162	BOLT, M8X 16 PLATED	3							
43	1	977770-1207F	GASKET,LIQUID	1							1
44	1	24311-000320	O-RING, 1AP32.0	1							

Remarks  
(1) OPTIONAL PART.

N:Old  $\frac{New}{Old}$  New, Q:Old  $\frac{New}{Old}$  New, R:Old  $\frac{New}{Old}$  New, S:Old  $\frac{New}{Old}$  New, W:Add, Z:Discontinued, F:Interchangeable by set, K:Qty Change  
Copyright (C) YANMAR CO., LTD. All Rights Reserved.

Fig.3. FLYWHEEL HOUSING & OIL SUMP



(A)=4TNV98T-N2FN  
(B)=  
(C)=

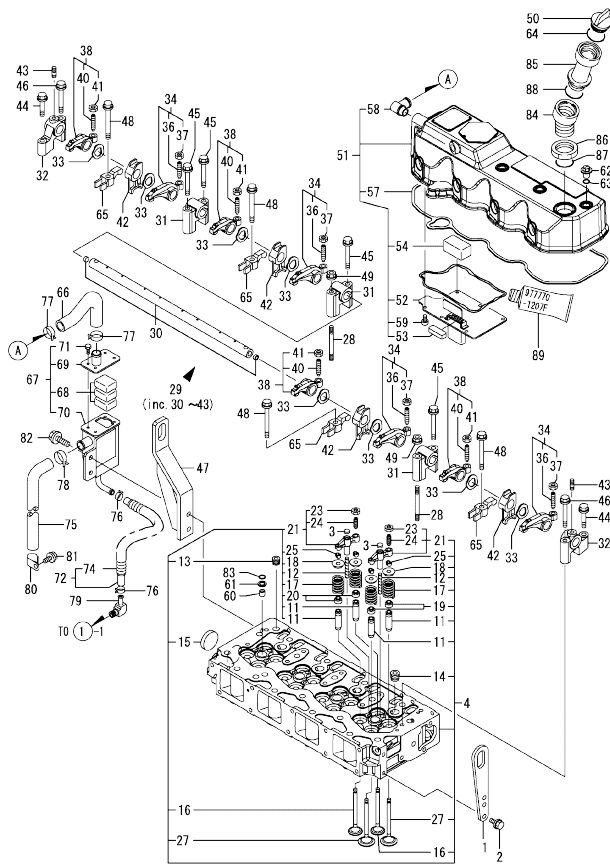
(D)=  
(E)=  
(F)=

No.	Lev.	Parts No.	Description	Q'ty						
				(A)	(B)	(C)	(D)	(E)	(F)	
1	1	129100-01580	PIN, M8X16	2						
2	1	129900-01620	HOUSING, FLYWHEEL	1						
5	1	26206-100352	BOLT, M10X 35 PLATED	9						
6	1	26206-100702	BOLT, M10X 70 PLATED	4						
7	1	124411-01780	SEAL, HTC95X115X12	1						
8	1	129902-01710	SUMP ASSY, OIL	1						
9	2	119640-01640	PLUG, DRAIN M22	1						
11	2	22190-220002	WASHER, SEAL 22	1						
12	1	26106-080122	BOLT, M8X 12 PLATED	16						
13	1	977770-1207F	GASKET,LIQUID	1						1

Remarks  
(1) OPTIONAL PART.

N:Old  $\frac{100}{100}$  New. Q:Old  $\frac{100}{100}$  New. R:Old  $\frac{100}{100}$  New. S:Old  $\frac{100}{100}$  New. W:Add. Z:Discontinued. F:Interchangeable by set. K:Q'ty Change  
Copyright (C) YANMAR CO., LTD. All Rights Reserved.

Fig.4. CYLINDER HEAD & BONNET



(A)=4TNV98T-N2FN  
(B)=  
(C)=

(D)=  
(E)=  
(F)=

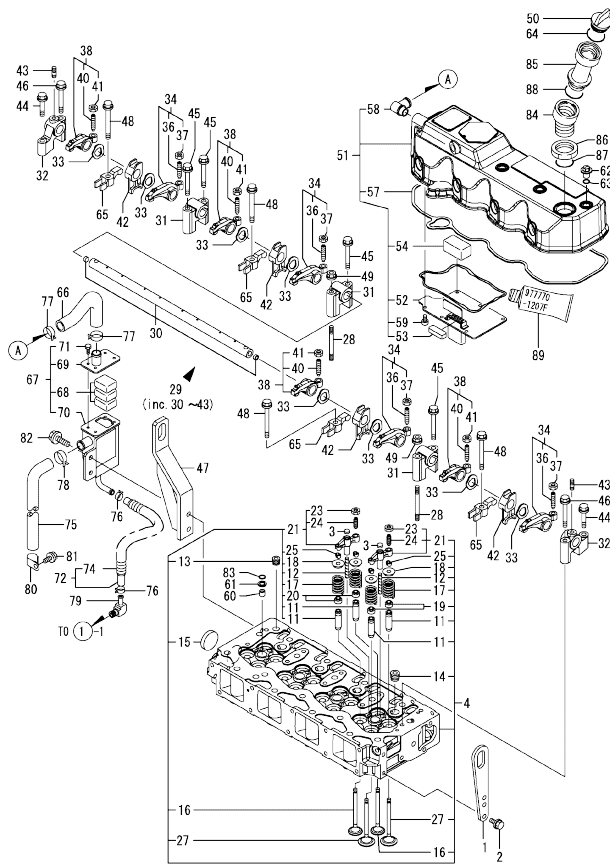
No.	Lev.	Parts No.	Description	Q'ty						I	R
				(A)	(B)	(C)	(D)	(E)	(F)		
1	1	129900-07900	LIFTER	1							
2	1	26106-080162	BOLT, M8X 16 PLATED	2							
3	1	123907-11550	SEAT, VALVE BRIDGE	8							
4	1	129908-11700	HEAD ASSY, CYLINDER	1							1
11	2	129907-11800	GUIDE, VALVE	16							
12	2	123907-11820	GUIDE	8							
13	2	23876-020000	PLUG, R02	1							
14	2	23876-030000	PLUG, R03	4							
15	2	27241-400000	PLUG, 40	1							
16	2	129907-11110	VALVE, EXHAUST	8							
17	2	129907-11120	SPRING, VALVE	16							
18	2	119620-11180	RETAINER, SPRING	16							
19	2	124160-11340	SEAL, VALVE STEM	8							
20	2	124950-11340	SEAL, VALVE STEM	8							
21	2	129907-11510	BRIDGE ASSY, VALVE	8							
23	3	129150-11750	NUT, M8	8							
24	3	123907-11830	ADJUSTER	8							
25	2	27310-070001	COTTER, 7	16							
27	2	129907-11100	VALVE, INTAKE	8							
28	1	119593-11301	STUD, M8X80	2							
29	1	129907-11341	SHAFT ASSY, ROCKER	1							
30	2	129907-11250	SHAFT, ROCKER ARM	1							
31	2	129907-11260	SUPPORT, ROCKER ARM	3							
32	2	129907-11270	SUPPORT, ROCKER ARM	2							
33	2	123907-11280	WASHER	8							
34	2	129907-11650	ARM, ROCKER	4							
36	3	129150-11230	SCREW, VALVE ADJUST	4							
37	3	129150-11750	NUT, M8	4							
38	2	129907-11660	ARM, ROCKER	4							
40	3	129150-11230	SCREW, VALVE ADJUST	4							
41	3	129150-11750	NUT, M8	4							
42	2	129907-11920	RETAINER	4							
43	2	26226-080222	STUD, M8X 22	2							
44	1	26106-080402	BOLT, M8X 40 PLATED	2							
45	1	26106-080602	BOLT, M8X 60 PLATED	4							
46	1	26106-080602	BOLT, M8X 60 PLATED	2							
47	1	123912-07900	LIFTER	1							
48	1	129907-11950	BOLT, M8X75	4							
49	1	26306-080002	NUT, M8	2							
50	1	124160-01751	COVER, FILLER	1							
51	1	129933-11320	BONNET ASSY, HEAD	1							
52	2	129907-03011	PLATE	1							
53	2	129907-03061	BAFFLE, BREATHER	1							
54	2	129907-03070	BAFFLE, BREATHER	1							
57	2	129933-11310	GASKET, BONNET	1							
58	2	119100-11330	ELBOW	1							
59	2	22857-500100	SCREW, 5X10	6							
60	1	119802-11870	PROTECTOR, NOZZLE	4							
61	1	119625-11880	SEAT, NOZZLE	4							
62	1	124160-11360	KNOB	4							
63	1	24311-000120	O-RING, 1AP12.0	4							

Remarks  
(1) REPAIR PART.  
(2) OPTIONAL PART.

N:Old <sup>100%</sup>/<sub>100%</sub> New, Q:Old <sup>100%</sup>/<sub>100%</sub> New, R:Old <sup>100%</sup>/<sub>100%</sub> New, S:Old <sup>100%</sup>/<sub>100%</sub> New, W:Add, Z:Discontinued, F:Interchangeable by set, K:Q'ty Change  
++ CONTINUE ++  
Copyright (C) YANMAR CO., LTD. All Rights Reserved.



Fig.4. CYLINDER HEAD & BONNET



(A)=4TNV98T-N2FN  
(B)=  
(C)=

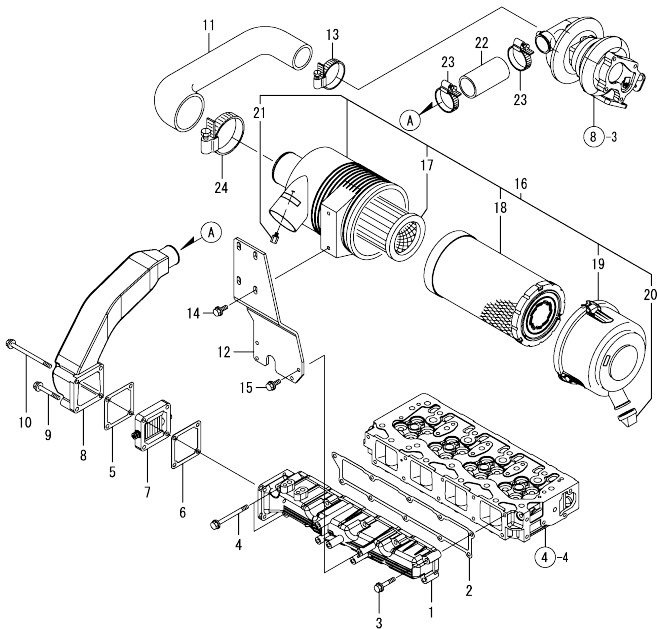
(D)=  
(E)=  
(F)=

No.	Lev.	Parts No.	Description	Q'ty						I	R
				(A)	(B)	(C)	(D)	(E)	(F)		
64	1	24311-000320	O-RING, 1AP32.0	1							
65	1	129907-11910	RETAINER, NOZZLE	4							
66	1	129908-03099	HOSE, BREATHER	1							
67	1	129908-03209	BREATHER ASSY	1							
68	2	123901-03240	FILTER	3							
69	2	129908-03219	COVER, BREATHER	1							
70	2	129908-03229	BREATHER	1							
71	2	26116-050102	BOLT, M5X 10 PLATED	4							
72	1	129935-03260	HOSE ASSY RETURN	1							
74	2	129935-03270	TUBE, CORRUGATED	1							
75	1	119006-03090	HOSE, BREATHER	1							
76	1	23000-022000	CLAMP, 22	2							
77	1	129410-03990	CLIP	2							
78	1	129960-03990	CLIP, HOSE 22	1							
79	1	123901-03280	ELBOW, PT3/8-10	1							
80	1	129150-03100	RETAINER, PIPE	1							
81	1	26106-080122	BOLT, M8X 12 PLATED	1							
82	1	26106-080222	BOLT, M8X 22 PLATED	2							
83	1	24311-000120	O-RING, 1AP12.0	4							
84	1	119225-11740	ADAPTER	1							
85	1	171031-11741	PIPE	1							
86	1	119225-11750	NUT	1							
87	1	24311-000300	O-RING, 1AP30.0	1							
88	1	24311-000320	O-RING, 1AP32.0	1							
89	1	977770-1207F	GASKET, LIQUID	1							2

Remarks

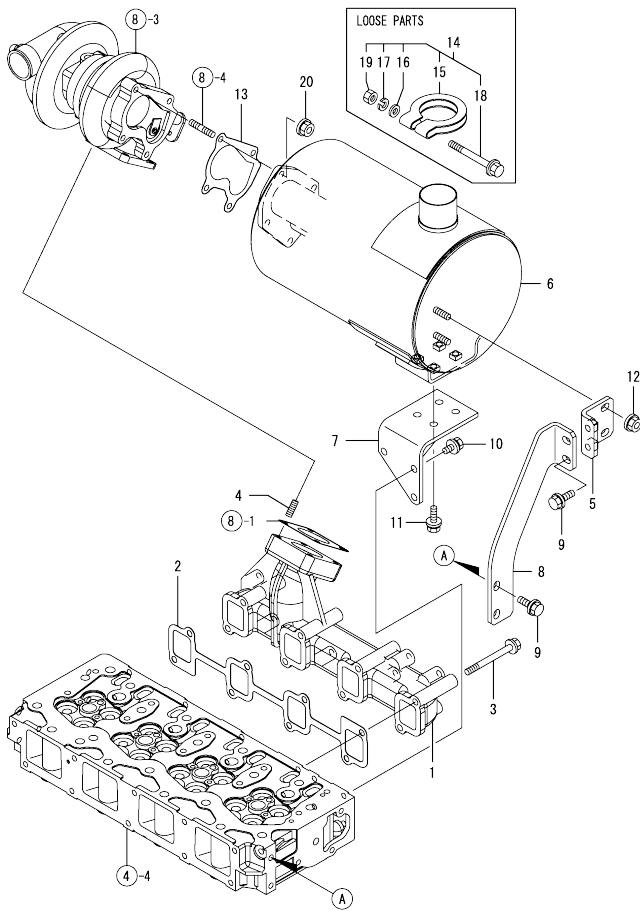
- (1) REPAIR PART.
- (2) OPTIONAL PART.

Fig.5. SUCTION MANIFOLD & AIR CLEANER



No.	Lev.	Parts No.	Description	Q'ty						I	R
				(A)	(B)	(C)	(D)	(E)	(F)		
1	1	129944-12110	MANIFOLD, AIR INTAKE	1							
2	1	129907-12110	GASKET, MANIFOLD	1							
3	1	26106-080452	BOLT, M8X 45 PLATED	8							
4	1	26106-080802	BOLT, M8X 80 PLATED	2							
5	1	119129-77020	GASKET	1							
6	1	121850-77021	GASKET	1							
7	1	119005-77050	HEATER	1							
8	1	129935-18350	DUCT, AIR	1							
9	1	26106-080702	BOLT, M8X 70 PLATED	2							
10	1	26106-080902	BOLT, M8X 90 PLATED	2							
11	1	129935-12080	PIPE, AIR INTAKE	1							
12	1	129944-12620	BRACKET, AIR CLEANER	1							
13	1	23000-060000	CLAMP, 60	1							
14	1	26106-080202	BOLT, M8X 20 PLATED	2							
15	1	26013-080222	BOLT, M8X 22	4							
16	1	129935-12530	CLEANER ASSY, AIR	1							
16-1	1	129935-12531	CLEANER ASSY, AIR	1							S
(A=EZZZZZ)											
17	2	119160-12570	ELEMENT	1							
18	2	129935-12520	ELEMENT	1							
19	2	119160-12530	COVER ASSY	1							
20	2	119160-12540	VALVE	1							
21	2	121820-12590	NIPPLE	1							
22	1	123951-18220	JOINT, RUBBER	1							
23	1	23000-054000	CLAMP, 54	2							
24	1	23000-090000	CLAMP, 90	1							

Fig.6. EXHAUST MANIFOLD & SILENCER



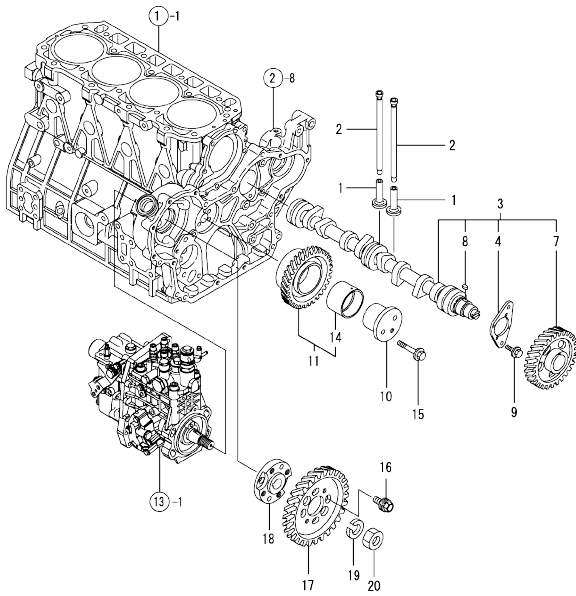
No.	Lev.	Parts No.	Description	Q'ty						I	R
				(A)	(B)	(C)	(D)	(E)	(F)		
1	1	129935-13100	MANIFOLD, EXHAUST	1							
2	1	129900-13251	GASKET	1							
3	1	123900-13630	BOLT, M8X80	8							
4	1	129418-18320	STUD, M8X20	4							
5	1	129935-13630	STAY	1							
6	1	129935-13500	SILENCER	1							
7	1	129935-13600	STAY, SILENCER	1							
8	1	129935-13620	STAY	1							
9	1	26106-080162	BOLT, M8X 16 PLATED	4							
10	1	26106-080162	BOLT, M8X 16 PLATED	3							
11	1	26106-080202	BOLT, M8X 20 PLATED	4							
12	1	26306-080002	NUT, M8	2							
13	1	123901-18080	GASKET	1							
14	1	121470-13590	CLAMP	1							
15	2	121470-13580	CLAMP	1							
16	2	22137-100000	WASHER, 10	1							
17	2	22217-100000	WASHER, SPRING 10	1							
18	2	26106-100702	BOLT, M10X 70 PLATED	1							
19	2	26706-100002	NUT, M10	1							
20	1	26306-080002	NUT, M8	4							

Fig.7. CAMSHAFT & DRIVING GEAR

(A)=4TNV98T-N2FN  
(B)=  
(C)=

(D)=  
(E)=  
(F)=

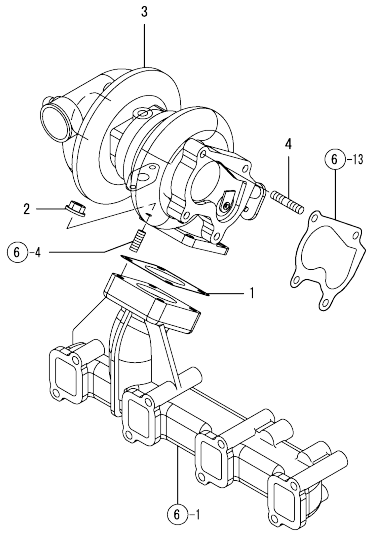
No.	Lev.	Parts No.	Description	Q'ty						I	R
				(A)	(B)	(C)	(D)	(E)	(F)		
1	1	129150-14200	TAPPET	8							
2	1	129907-14400	ROD, PUSH	8							
3	1	129908-14581	CAMSHAFT ASSY	1							
4	2	129150-02450	BEARING, THRUST	1							
7	2	129900-14100	GEAR, CAMSHAFT	1							
8	2	22512-070140	KEY, 7X 14	1							
9	1	26106-080162	BOLT, M8X 16 PLATED	2							
10	1	123900-25060	SHAFT, IDLE GEAR	1							
11	1	129900-25100	GEAR ASSY, IDLE	1							
14	2	129150-25920	BUSH, IDLE GEAR	1							1
15	1	26106-080552	BOLT, M8X 55 PLATED	3							
16	1	129953-25300	BOLT	4							
17	1	129907-25900	GEAR, PUMP	1							
18	1	158563-51150	FLANGE	1							
19	1	22217-180000	WASHER, SPRING 18	1							
20	1	26776-180002	NUT, LOCK M18	1							



Remarks  
(1) REPAIR PART.

N:Old  $\frac{100}{100}$  New, Q:Old  $\frac{100}{100}$  New, R:Old  $\frac{100}{100}$  New, S:Old  $\frac{100}{100}$  New, W:Add, Z:Discontinued, F:Interchangeable by set, K:Qty Change  
Copyright (C) YANMAR CO., LTD. All Rights Reserved.

Fig.8. TURBINE

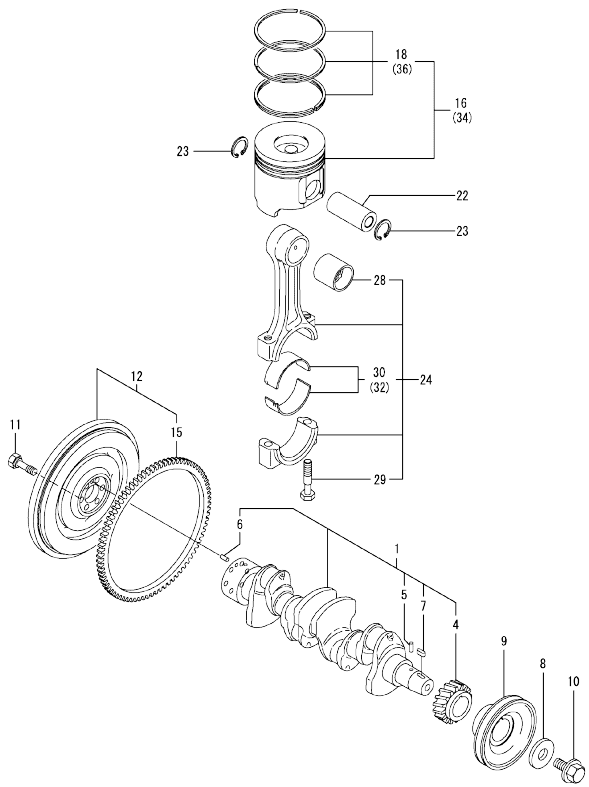


(A)=4TNV98T-N2FN  
(B)=  
(C)=

(D)=  
(E)=  
(F)=

No.	Lev.	Parts No.	Description	Q'ty					
				(A)	(B)	(C)	(D)	(E)	(F)
1	1	129472-18090	GASKET	1					
2	1	26306-080002	NUT, M8	4					
3	1	129935-18010	TURBINE, RHF5	1					
4	1	119131-18320	STUD, M8X22	4					

Fig.9. CRANKSHAFT & PISTON



(A)=4TNV98T-N2FN  
(B)=  
(C)=

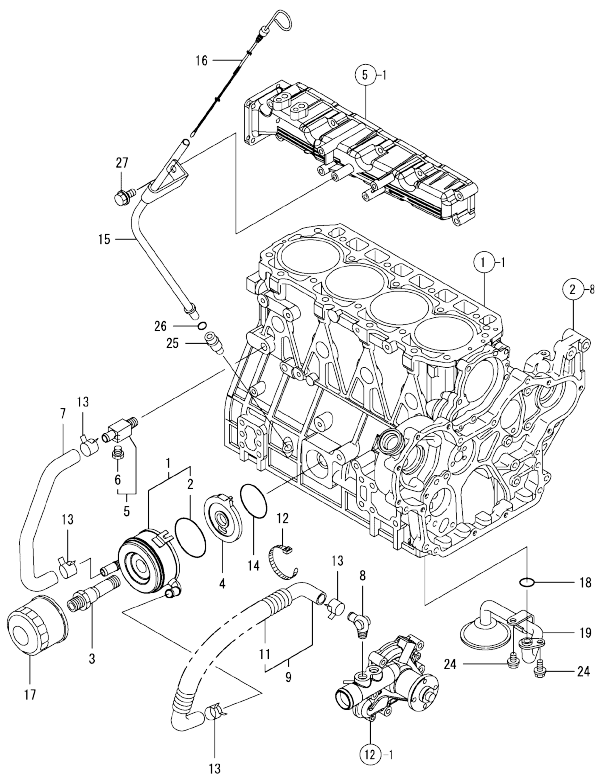
(D)=  
(E)=  
(F)=

No.	Lev.	Parts No.	Description	Q'ty						I	R
				(A)	(B)	(C)	(D)	(E)	(F)		
1	1	129908-21000	CRANKSHAFT ASSY	1							
4	2	129900-21200	GEAR, CRANKSHAFT	1							
5	2	121850-21290	PIN	1							
6	2	121850-21920	PIN, M10X22	1							
7	2	22512-070140	KEY, 7X 14	1							
8	1	129900-21640	WASHER	1							
9	1	129900-21660	V-PULLEY, 130	1							
10	1	121850-21680	BOLT	1							
11	1	121850-21130	BOLT, FLYWHEEL	6							
12	1	129900-21580	FLYWHEEL ASSY	1							
15	2	129900-21600	GEAR, RING	1							
16	1	129908-22080	PISTON ASSY	4							
18	2	129907-22050	RING SET, PISTON	4							
22	1	120130-22301	PIN, PISTON	4							
23	1	22252-000300	RING, 30	8							
24	1	129900-23001	ROD ASSY, CONNECTING	4							
28	2	129900-23911	BEARING, PISTON PIN	4							1
29	2	129900-23200	BOLT, CONNECTING ROD	8							
30	2	129900-23600	BEARING, CRANK PIN	4							
32	1	129900-23610	BEARING, 0.25 US	4							2
34	1	729908-22900	PISTON ASSY, 0.25 OS	4							3
36	2	729907-22950	RING SET, 0.25 OS	4							3

Remarks

- (1) REPAIR PART.
- (2) UNDER-SIZE(U.S=0.25)PART.
- (3) OVER-SIZE(O.S=0.25)PART.

Fig.10. LUB.OIL SYSTEM



(A)=4TNV98T-N2FN  
(B)=  
(C)=

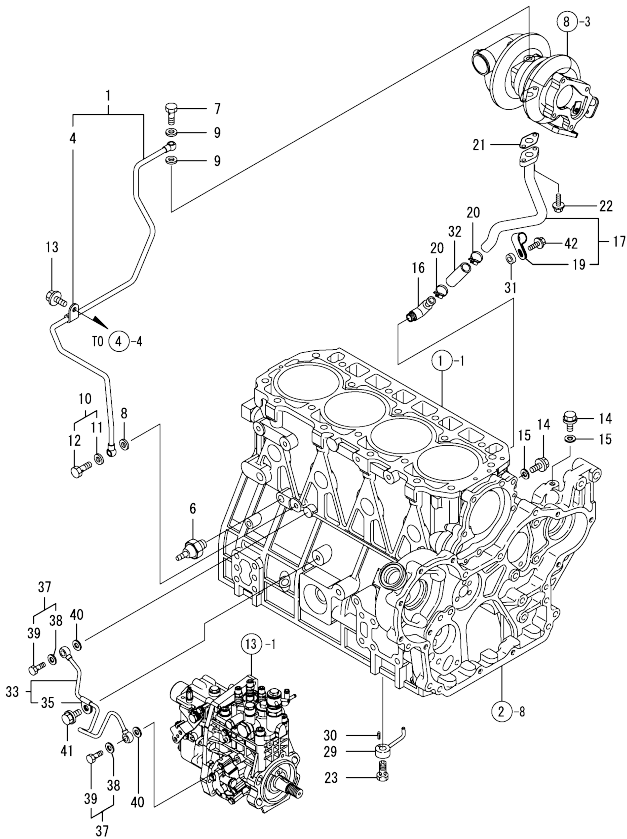
(D)=  
(E)=  
(F)=

No.	Lev.	Parts No.	Description	Q'ty						I	R
				(A)	(B)	(C)	(D)	(E)	(F)		
1	1	129908-33010	COOLER ASSY, OIL	1							
2	2	123912-33050	O-RING	1							
3	1	123912-33100	BOLT, COOLER	1							
4	1	129908-33101	BRACKET, COOLER	1							
5	1	129006-44480	JOINT	1							
6	2	171056-49120	PLUG, DRAIN	1							
7	1	129944-49059	PIPE, WATER	1							
8	1	129466-49300	ELBOW, PT3/8	1							
9	1	123910-49600	PIPE, WATER	1							
11	2	123910-49610	TUBE, CORRUGATED	1							
12	1	121750-59890	BAND, 140	1							
13	1	23000-025000	CLAMP, 25	4							
14	1	24321-000600	O-RING, 1AG60.0	1							
15	1	129951-34820	GUIDE, DIPSTICK	1							
16	1	129951-34801	DIPSTICK, OIL	1							
17	1	129150-35153	FILTER	1							1
18	1	129900-32030	O-RING, P20	1							
19	1	129900-35000	PIPE ASSY, OIL INLET	1							
24	1	26106-080122	BOLT, M8X 12 PLATED	2							
25	1	119260-34810	GUIDE, DIPSTICK	1							
26	1	24311-240100	O-RING, 1AP10A	1							
27	1	26106-080162	BOLT, M8X 16 PLATED	1							

Remarks  
(1) REPAIR PART.

N:Old  $\frac{New}{Old}$  New, Q:Old  $\frac{New}{Old}$  New, R:Old  $\frac{New}{Old}$  New, S:Old  $\frac{New}{Old}$  New, W:Add, Z:Discontinued, F:Interchangeable by set, K:Q'ty Change  
Copyright (C) YANMAR CO., LTD. All Rights Reserved.

Fig.11. LUB.OIL LINE



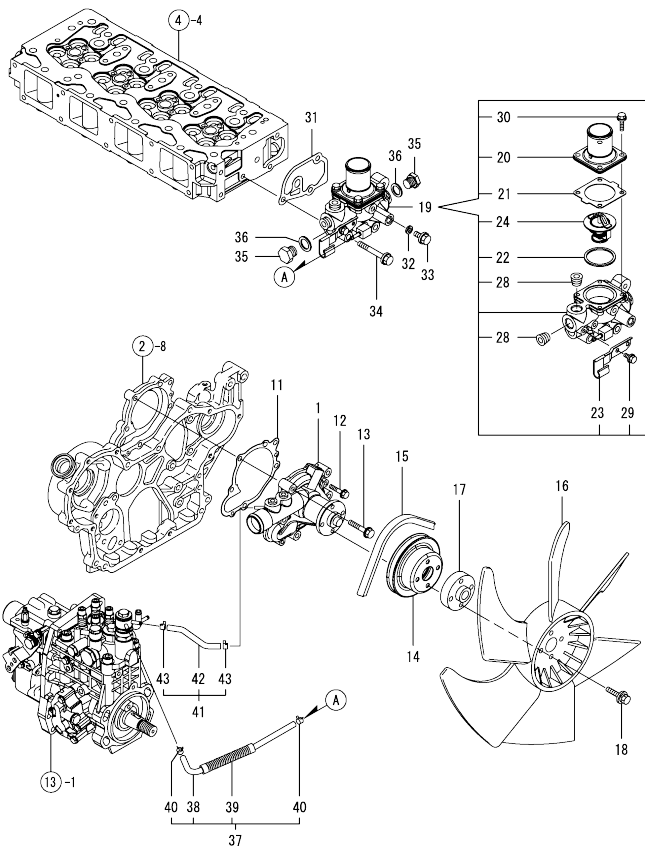
(A)=4TNV98T-N2FN  
(B)=  
(C)=

(D)=  
(E)=  
(F)=

No.	Lev.	Parts No.	Description	Qty						I	R	
				(A)	(B)	(C)	(D)	(E)	(F)			
1	1	129935-39040	PIPE ASSY, OIL	1								
2	2	129935-39020	PIPE, OIL	1								
4	2	124223-39900	RETAINER	1								
6	1	114250-39450	SWITCH, 0.5KG	1								
7	1	121252-39150	BOLT, JOINT M10X1.5	1								
8	1	22190-080002	WASHER, SEAL 6	1								
9	1	23414-100000	GASKET, 10X1.0	2								
10	1	129005-59830	BOLT ASSY, JOINT M8	1								
11	2	22190-080002	WASHER, SEAL 6	1								
12	2	23857-030000	BOLT, JOINT 3	1								
13	1	26106-080122	BOLT, M8X 12 PLATED	1								
14	1	26106-080122	BOLT, M8X 12 PLATED	2								
15	1	22190-080002	WASHER, SEAL 6	2								
16	1	124070-13300	ELBOW, PT3/8	1								
17	1	129935-39610	PIPE, OIL	1								
19	2	123910-39850	RETAINER	1								
20	1	23000-025000	CLAMP, 25	2								
21	1	129908-39690	GASKET	1								
22	1	26106-060162	BOLT, M6X 16 PLATED	2								
23	1	129908-39410	VALVE ASSY, CHECK	4								
29	1	119000-39650	NOZZLE	4								
30	1	22351-030010	PIN, SPRING 3.0X10	4								
31	1	106500-44810	SPACER	1								
32	1	123901-39820	HOSE	1								
33	1	129907-39061	PIPE ASSY, OIL	1								
35	2	123907-39500	RETAINER	1								
37	1	129005-59830	BOLT ASSY, JOINT M8	2								
38	2	22190-080002	WASHER, SEAL 6	2								
39	2	23857-030000	BOLT, JOINT 3	2								
40	1	22190-080002	WASHER, SEAL 6	2								
41	1	26106-080122	BOLT, M8X 12 PLATED	1								
42	1	26106-080122	BOLT, M8X 12 PLATED	1								



Fig.12. COOLING WATER SYSTEM

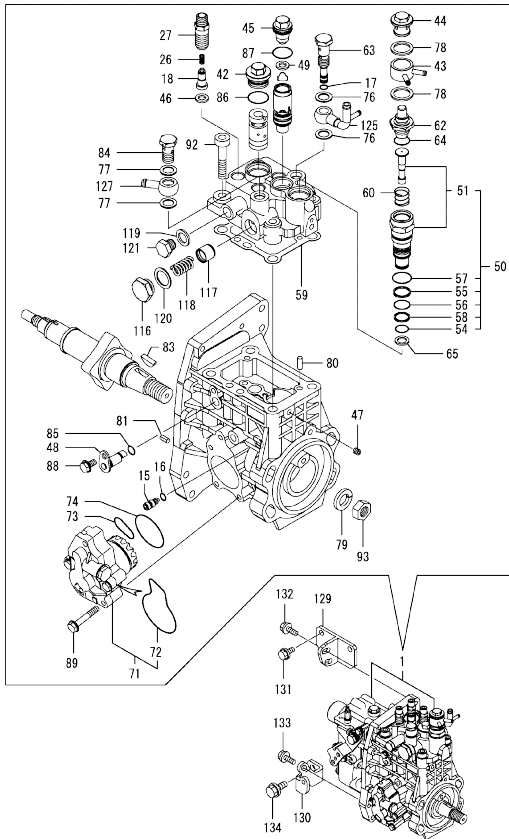


(A)=4TNV98T-N2FN  
(B)=  
(C)=

(D)=  
(E)=  
(F)=

No.	Lev.	Parts No.	Description	Q'ty						I	R
				(A)	(B)	(C)	(D)	(E)	(F)		
1	1	129907-42000	PUMP ASSY, WATER	1							
11	1	129900-42020	GASKET, WATER PUMP	1							
12	1	26106-060302	BOLT, M6X 30 PLATED	2							
13	1	26106-080552	BOLT, M8X 55 PLATED	5							
14	1	129900-42461	V-PULLEY	1							
15	1	25152-004200	V-BELT, A42	1							
16	1	129916-44740	FAN, COOLING D=430	1							
17	1	129935-44710	SPACER, FAN	1							
18	1	26106-080402	BOLT, M8X 40 PLATED	4							
19	1	129907-49800	CASE ASSY, THERMOSTAT	1							
20	2	129916-49530	COVER, THERMOSTAT	1							
21	2	121850-49540	GASKET, THERMOSTAT	1							
22	2	121850-49550	GASKET, THERMOSTAT	1							
23	2	129907-49730	RETAINER, PIPE	1							
24	2	121850-49810	THERMOSTAT, 71	1							
28	2	23875-030000	PLUG, R03	2							
29	2	26106-060122	BOLT, M6X 12 PLATED	1							
30	2	26106-060202	BOLT, M6X 20 PLATED	4							
31	1	129900-49870	GASKET	1							
32	1	23414-080000	GASKET, 8X1.0	1							
33	1	26106-080122	BOLT, M8X 12 PLATED	1							
34	1	26106-080602	BOLT, M8X 60 PLATED	3							
35	1	121450-42450	PLUG, M16	2							
36	1	124465-44950	GASKET, 16	2							
37	1	129907-49610	HOSE ASSY, WATER	1							
38	2	129907-49710	PIPE ASSY, WATER	1							
39	2	129907-49750	TUBE, CORRUGATED	1							
40	2	124722-59050	CLIP, HOSE 9	2							
41	1	129907-49620	HOSE ASSY, WATER	1							
42	2	129907-49720	PIPE ASSY, WATER	1							
43	2	124722-59050	CLIP, HOSE 9	2							

Fig.13. FUEL INJECTION PUMP

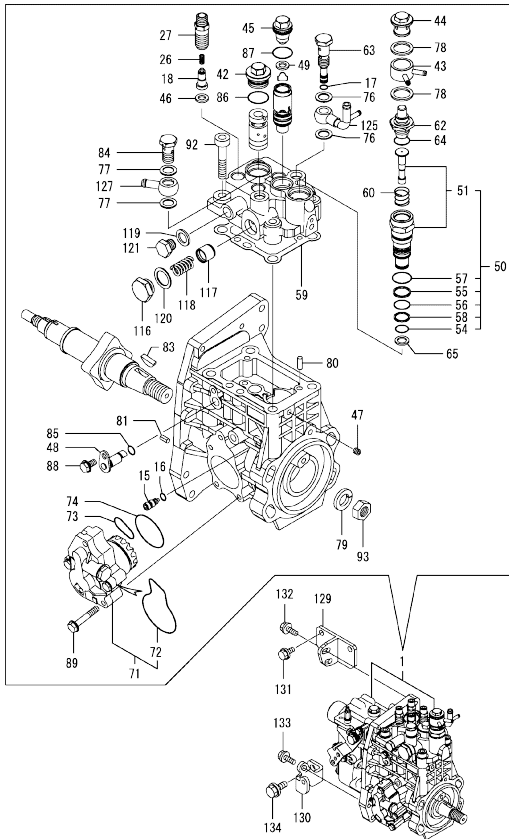


Remarks  
 (1) GOVERNOR ASSY(FIG.14) IS  
 INCORPORATED IN THIS FOP.CMP  
 (REF.NO.1).

No.	Lev.	Parts No.	Description	Q'ty						I	R
				(A)	(B)	(C)	(D)	(E)	(F)		
1	1	729935-51301	PUMP ASSY, INJECTION	1							1
15	2	158600-51270	STOPPER, TAPPET	1							
16	2	158563-51281	O-RING, 4D S6	1							
17	2	158563-51281	O-RING, 4D S6	1							
18	2	158560-51300	VALVE ASSY, DELIVERY	4							
26	2	158563-51330	SPRING, DELIVERY	4							
27	2	129907-51340	HOLDER, DELIVERY	4							
42	2	158601-51550	PLUG	1							
43	2	158553-51551	JOINT	1							
44	2	158601-51570	PLUG	1							
45	2	129907-51560	PLUG, BARREL	1							
46	2	158552-51570	GASKET	4							
47	2	158557-51570	PLUG	1							
48	2	158552-51580	LIFTER	1							
49	2	129906-51580	GASKET	1							
50	2	119802-51590	TIMER SET	1							
51	3	119802-51600	TIMER ASSY	1							
54	3	158553-51670	O-RING, 1011	1							
55	3	119802-51680	RING, BACK UP	1							
56	3	119802-51690	O-RING	1							
57	3	24356-010200	O-RING, 4D1020	1							
58	3	24372-000150	RING, BACK UP T2P15	1							
59	2	158560-51600	GASKET	1							
60	2	158553-51630	SPRING, TIMER	1							
62	2	158553-51640	ELEMENT	1							
63	2	158601-51650	JOINT, OVER FLOW	1							
64	2	158553-51660	O-RING, P14	1							
65	2	158553-51680	GASKET	1							
71	2	158552-52100	PUMP ASSY, FUEL FEED	1							
72	3	158552-52500	O-RING	1							
73	2	158552-52310	O-RING	1							
74	2	158552-52400	O-RING, 4E S42	1							
76	2	22190-120002	WASHER, SEAL 12	2							
77	2	22190-120002	WASHER, SEAL 12	2							
78	2	22190-180002	WASHER, SEAL 18	2							
79	2	22217-180000	WASHER, SPRING 18	1							
80	2	22312-050140	PIN, PARALLEL M5X14	2							
81	2	22351-050010	PIN, SPRING 5.0X10	2							
83	2	144626-51090	KEY, 5X19	1							
84	2	23857-060000	BOLT, JOINT 6	1							
85	2	24311-000070	O-RING, 1AP7.0	1							
86	2	24356-010200	O-RING, 4D1020	1							
87	2	24356-020210	O-RING, 4D2021	1							
88	2	26106-060102	BOLT, M6X 10 PLATED	1							
89	2	26106-060352	BOLT, M6X 35 PLATED	4							
92	2	26450-100452	BOLT, M10X 45	4							
93	2	26776-180002	NUT, LOCK M18	1							
116	2	158601-51790	PLUG	1							
117	2	158601-51770	PISTON	1							
118	2	158552-51780	SPRING	1							
119	2	22190-120002	WASHER, SEAL 12	1							

N:Old  $\frac{New}{Old}$  New, Q:Old  $\frac{New}{Old}$  New, R:Old  $\frac{New}{Old}$  New, S:Old  $\frac{New}{Old}$  New, W:Add, Z:Discontinued, F:Interchangeable by set, K:Q'ty Change  
 ++ CONTINUE ++  
 Copyright (C) YANMAR CO., LTD. All Rights Reserved.

Fig.13. FUEL INJECTION PUMP



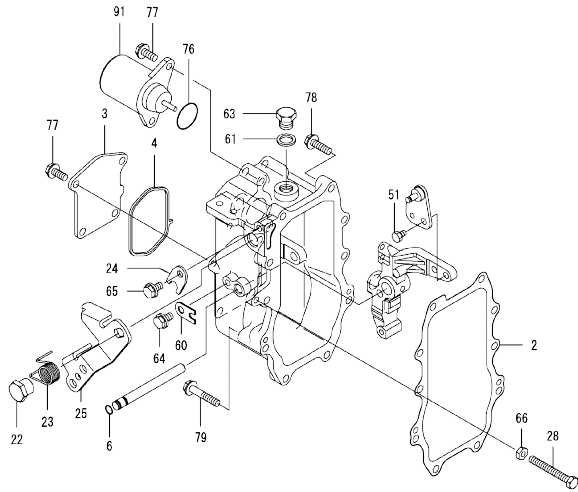
(A)=4TNV98T-N2FN  
(B)=  
(C)=

(D)=  
(E)=  
(F)=

No.	Lev.	Parts No.	Description	Q'ty						I	R
				(A)	(B)	(C)	(D)	(E)	(F)		
120	2	22190-180002	WASHER, SEAL 18	1							
121	2	23887-120002	PLUG, 12	1							
125	2	158552-51670	JOINT, OVER FLOW	1							
127	2	129916-59020	JOINT, PIPE 12	1							
129	1	129907-01950	RETAINER	1							
130	1	129907-01960	RETAINER	1							
131	1	26106-080162	BOLT, M8X 16 PLATED	2							
132	1	26106-080222	BOLT, M8X 22 PLATED	2							
133	1	26106-080222	BOLT, M8X 22 PLATED	1							
134	1	26106-100202	BOLT, M10X 20 PLATED	1							

Remarks  
(1) GOVERNOR ASSY(FIG.14) IS  
INCORPORATED IN THIS FOP.CMP  
(REF.NO.1).

Fig.14. GOVERNOR



(A)=4TNV98T-N2FN  
(B)=  
(C)=

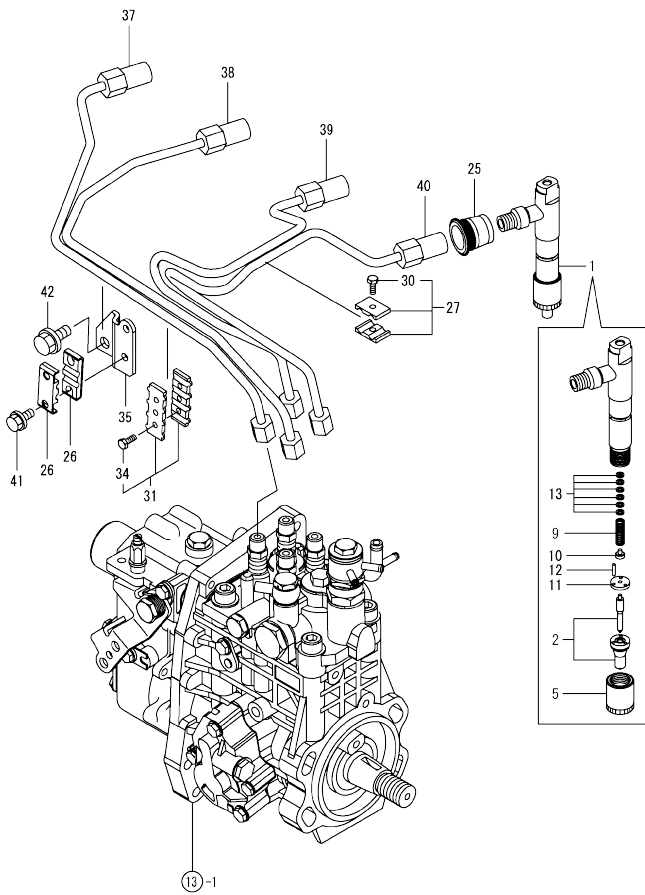
(D)=  
(E)=  
(F)=

No.	Lev.	Parts No.	Description	Q'ty						I	R
				(A)	(B)	(C)	(D)	(E)	(F)		
2	2	158560-61050	GASKET	1							
3	2	158560-61061	COVER, GOVERNOR CASE	1							
4	2	158560-61071	GASKET	1							
6	2	129155-51280	O-RING, S6	1							
22	2	129255-61410	NUT, LOCK	1							
23	2	119807-61420	SPRING, RETURN	1							
24	2	158560-61430	RETAINER, SHAFT	1							
25	2	158560-61442	LEVER, REGULATOR	1							
28	2	129155-61460	BOLT, IDLE	1							
51	2	26116-060102	BOLT, M6X 10 PLATED	1							
60	2	119660-61901	RETAINER, SHAFT	1							
61	2	22190-160002	WASHER, SEAL 16	1							
63	2	23887-160002	PLUG, 16	1							
64	2	26106-060102	BOLT, M6X 10 PLATED	1							
65	2	26106-060102	BOLT, M6X 10 PLATED	1							
66	2	26756-060002	NUT, LOCK M6	1							
76	2	158552-61900	O-RING	1							
77	2	26106-060142	BOLT, M6X 14 PLATED	6							
78	2	26106-060252	BOLT, M6X 25 PLATED	8							
79	2	26106-060402	BOLT, M6X 40 PLATED	2							
91	2	119233-77932	SOLENOID, STOP	1							

Remarks  
\* THIS FIGURE(GOVERNOR ASSY)IS  
INCORPORATED IN THE FUEL INJECTION  
PUMP ASSY(FIG.13).

N:Old  $\frac{100}{100}$  New, Q:Old  $\frac{100}{100}$  New, R:Old  $\frac{100}{100}$  New, S:Old  $\frac{100}{100}$  New, W:Add, Z:Discontinued, F:Interchangeable by set, K:Q'ty Change  
Copyright (C) YANMAR CO., LTD. All Rights Reserved.

Fig.15. FUEL INJECTION VALVE

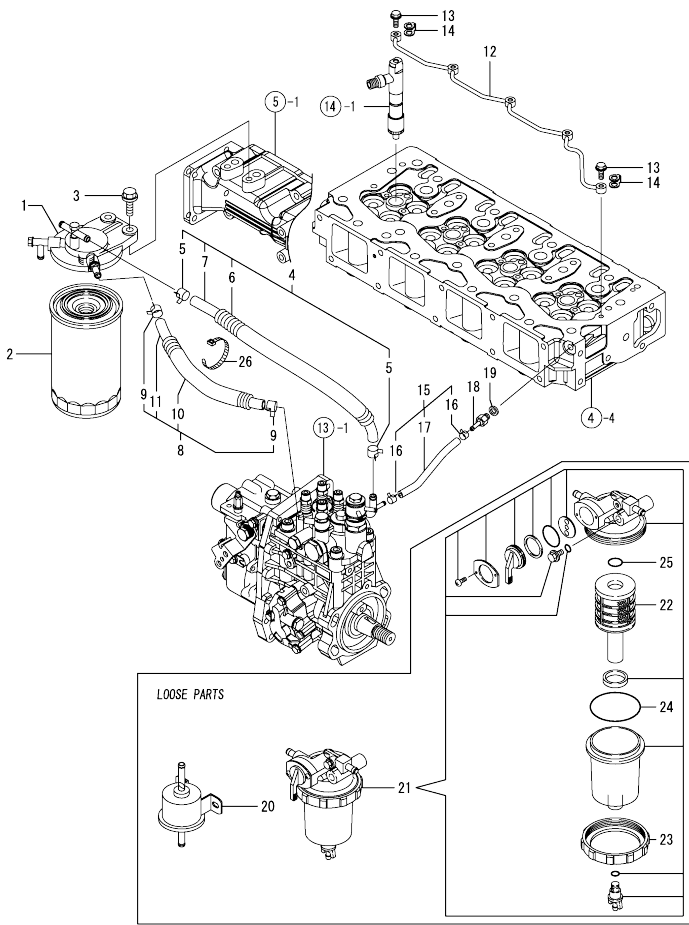


(A)=4TNV98T-N2FN  
(B)=  
(C)=

(D)=  
(E)=  
(F)=

No.	Lev.	Parts No.	Description	Q'ty						I	R
				(A)	(B)	(C)	(D)	(E)	(F)		
1	1	729908-53100	VALVE ASSY,INJECTION	4							
2	2	129908-53000	VALVE ASSY,INJECTION	4							
5	2	114250-53080	NUT, NOZZLE D16.95	4							
9	2	114250-53120	SPRING, NOZZLE	4							
10	2	114250-53130	SEAT, SPRING	4							
11	2	114250-53140	PLATE	4							
12	2	114250-53210	PIN	8							
13	2	114250-53400	SHIM SET	4							
25	1	123907-11601	SEAL	4							
26	1	122780-59100	RETAINER	2							
27	1	119305-59120	RETAINER, PIPE	1							
30	2	129150-59131	BOLT, M4X14	1							
31	1	129550-59120	RETAINER, PIPE	1							
34	2	129150-59131	BOLT, M4X14	2							
35	1	129907-59720	SUPPORT	1							
37	1	129908-59810	PIPE ASSY, INJECTION	1							
38	1	129908-59820	PIPE ASSY, INJECTION	1							
39	1	129908-59830	PIPE ASSY, INJECTION	1							
40	1	129908-59840	PIPE ASSY, INJECTION	1							
41	1	26106-060162	BOLT, M6X 16 PLATED	2							
42	1	26106-080182	BOLT, M8X 18 PLATED	1							

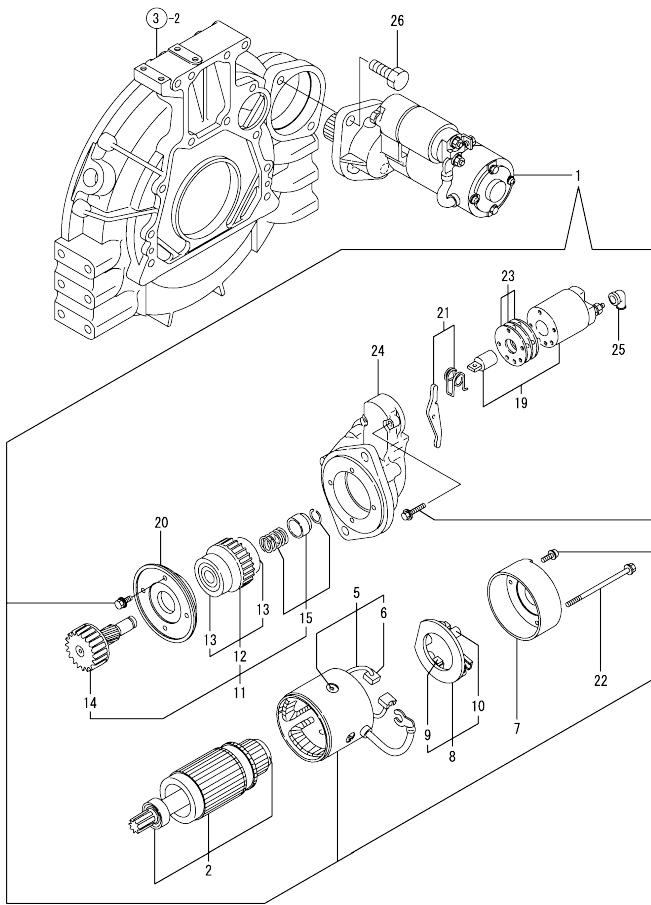
Fig.16. FUEL LINE



No.	Lev.	Parts No.	Description	Q'ty						I	R
				(A)	(B)	(C)	(D)	(E)	(F)		
1	1	129004-55612	BRACKET, FILTER	1							
2	1	123907-55800	FILTER, FUEL	1							
3	1	26106-080302	BOLT, M8X 30 PLATED	2							
4	1	129457-59010	PIPE ASSY, FUEL	1							
5	2	124766-59050	CLIP, HOSE 12	2							
6	2	129957-59120	TUBE, CORRUGATED	1							
7	2	105025-59750	PIPE, FUEL	1							
8	1	129981-59010	PIPE ASSY, FUEL	1							
9	2	124766-59050	CLIP, HOSE 12	2							
10	2	129950-59221	TUBE, CORRUGATED	1							
11	2	129980-59510	PIPE, FUEL	1							
12	1	129907-59140	PIPE ASSY, RETURN	1							
13	1	123907-59540	BOLT, PIPE JOINT M6	5							
14	1	123907-59550	GASKET	5							
15	1	129486-59551	PIPE ASSY, RETURN	1							
16	2	124722-59050	CLIP, HOSE 9	2							
17	2	129486-59510	PIPE, FUEL RETURN	1							
18	1	123907-59560	JOINT	1							
19	1	22190-080002	WASHER, SEAL 6	1							
20	1	129612-52100	PUMP ASSY, FUEL FEED	1							
21	1	119802-55700	SEPARATOR ASSY	1							
22	2	119802-55710	ELEMENT	1							
23	2	129100-55690	RING, RETAINING	1							
24	2	24321-000650	O-RING, 1AG65.0	1							
25	2	24311-000160	O-RING, 1AP16.0	1							
26	1	121750-59890	BAND, 140	1							

N:Old  $\frac{100}{100}$  New, Q:Old  $\frac{100}{100}$  New, R:Old  $\frac{100}{100}$  New, S:Old  $\frac{100}{100}$  New, W:Add, Z:Discontinued, F:Interchangeable by set, K:Qty Change  
 Copyright (C) YANMAR CO., LTD. All Rights Reserved.

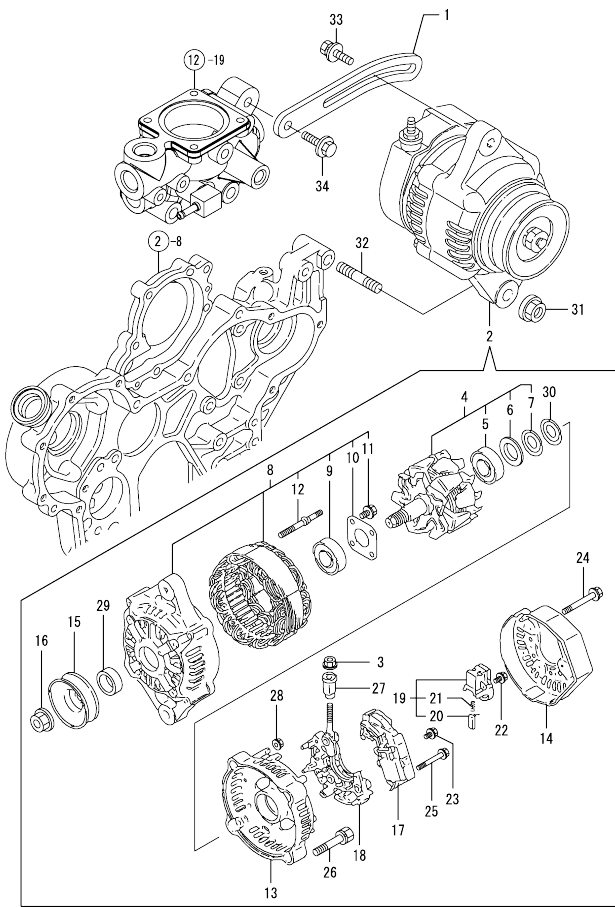
Fig.17. STARTING MOTOR



No.	Lev.	Parts No.	Description	Q'ty						I	R
				(A)	(B)	(C)	(D)	(E)	(F)		
1	1	123900-77010	STARTER	1							
2	2	123900-77400	ARMATURE ASSY	1							
5	2	123900-77440	COIL ASSY, FIELD	1							
6	3	123900-77450	BRUSH	2							
7	2	123900-77460	COVER	1							
8	2	123900-77480	HOLDER ASSY, BRUSH	1							
9	3	123900-77450	BRUSH	2							
10	3	121254-77590	SPRING	4							
11	2	123900-77510	PINION ASSY	1							
12	3	123900-77520	CLUTCH ASSY	1							
13	4	X2240610100	BEARING, BALL	2							
14	3	123900-77540	SHAFT	1							
15	3	119131-77550	STOPPER KIT	1							
19	2	129900-77591	SWITCH ASSY	1							
20	2	123900-77610	RETAINER	1							
21	2	129900-77620	LEVER SET	1							
22	2	123900-77640	BOLT, THROUGH	2							
23	2	123900-77650	COVER ASSY, DUST	1							
24	2	123900-77710	CASE, GEAR	1							
25	2	171008-77750	COVER	1							
26	1	26116-120252	BOLT, M12X 25 PLATED	2							

N:Old  $\frac{100}{100}$  New, Q:Old  $\frac{100}{100}$  New, R:Old  $\frac{100}{100}$  New, S:Old  $\frac{100}{100}$  New, W:Add, Z:Discontinued, F:Interchangeable by set, K:Qty Change  
 Copyright (C) YANMAR CO., LTD. All Rights Reserved.

Fig.18. GENERATOR



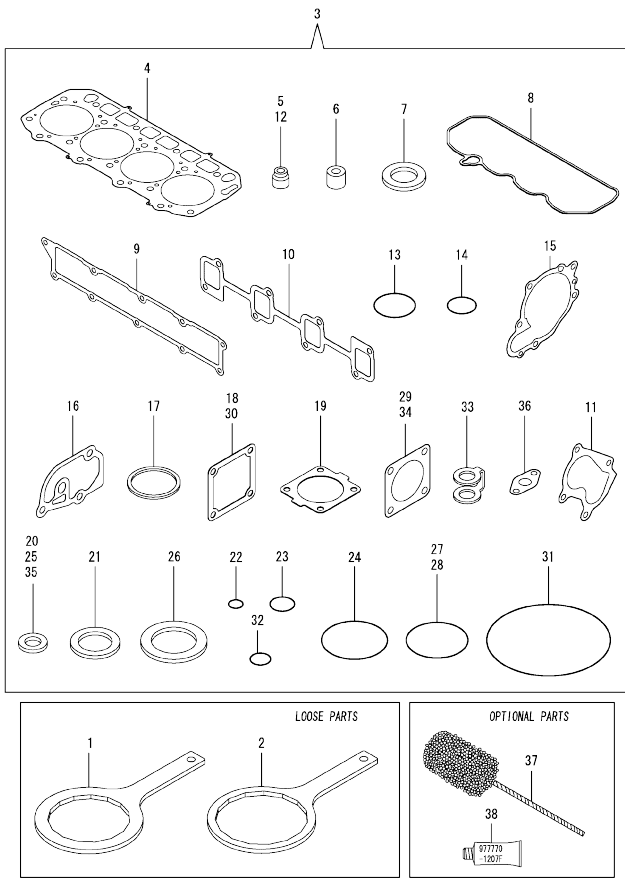
(A)=4TNV98T-N2FN  
(B)=  
(C)=

(D)=  
(E)=  
(F)=

No.	Lev.	Parts No.	Description	Q'ty					
				(A)	(B)	(C)	(D)	(E)	(F)
1	1	129916-77300	ADJUSTER	1					
2	1	129423-77200	GENERATOR, 12V-40A	1					
3	2	X9490561001	NUT	1					
4	2	119620-77380	ROTOR ASSY	1					
5	3	119620-79240	BEARING, BALL	1					
6	3	119620-79250	COVER	1					
7	3	119620-79360	WASHER, THRUST	1					
8	2	119620-77421	FRAME ASSY, DRIVE	1					
9	3	119620-79200	BEARING, BALL	1					
10	3	119620-79210	PLATE, RETAINER	1					
11	3	119620-79220	SCREW	4					
12	3	119620-79230	STUD	2					
13	2	119620-77440	FRAME ASSY	1					
14	2	129240-79300	COVER	1					
15	2	119620-77461	PULLEY	1					
16	2	119620-77471	NUT	1					
17	2	129423-77710	REGULATOR ASSY	1					
18	2	119620-79260	HOLDER	1					
19	2	119620-79270	HOLDER, BRUSH	1					
20	3	119620-77480	BRUSH ASSY	2					
21	3	119620-79280	SPRING	2					
22	2	119620-79290	SCREW	1					
23	2	119620-79300	SCREW	1					
24	2	119620-79310	BOLT	3					
25	2	119620-79320	SCREW	2					
26	2	119620-79330	BOLT	2					
27	2	119620-79340	BUSH, INSULATION	1					
28	2	119620-79350	NUT	2					
29	2	119620-77490	COLLAR	1					
30	2	119620-79360	WASHER, THRUST	1					
31	1	26306-100002	NUT, M10	1					
32	1	129795-01900	STUD	1					
33	1	119810-77340	BOLT, ADJUSTER	1					
34	1	26014-080252	BOLT, M8X 25	1					



Fig.19. GASKET SET & TOOLS



No.	Lev.	Parts No.	Description	Qty						I	R
				(A)	(B)	(C)	(D)	(E)	(F)		
1	1	119640-92750	WRENCH, FILTER 80	1							
2	1	171301-92750	WRENCH, L.O. FILTER	1							
3	1	729907-92950	GASKET SET	1							1
4	2	129907-01331	GASKET, HEAD	1							
5	2	124160-11340	SEAL, VALVE STEM	8							
6	2	119802-11870	PROTECTOR, NOZZLE	4							
7	2	119625-11880	SEAT, NOZZLE	4							
8	2	129933-11310	GASKET, BONNET	1							
9	2	129907-12110	GASKET, MANIFOLD	1							
10	2	129900-13251	GASKET	1							
11	2	123901-18080	GASKET	1							
12	2	124950-11340	SEAL, VALVE STEM	8							
13	2	129900-32030	O-RING, P20	2							
14	2	129900-32040	O-RING, P14	1							
15	2	129900-42020	GASKET, WATER PUMP	1							
16	2	129900-49870	GASKET	1							
17	2	121850-49550	GASKET, THERMOSTAT	1							
18	2	121850-77021	GASKET	1							
19	2	121850-49540	GASKET, THERMOSTAT	1							
20	2	23414-080000	GASKET, 8X1.0	1							
21	2	124465-44950	GASKET, 16	2							
22	2	24311-000070	O-RING, 1AP7.0	1							
23	2	24311-000120	O-RING, 1AP12.0	8							
24	2	24311-000320	O-RING, 1AP32.0	3							
25	2	22190-080002	WASHER, SEAL 6	7							
26	2	22190-220002	WASHER, SEAL 22	1							
27	2	24351-030750	O-RING, 1A3075	1							
28	2	24311-000300	O-RING, 1AP30.0	1							
29	2	124240-01883	GASKET	1							
30	2	119129-77020	GASKET	1							
31	2	24321-000600	O-RING, 1AG60.0	1							
32	2	24311-240100	O-RING, 1AP10A	1							
33	2	123907-59550	GASKET	5							
34	2	129472-18090	GASKET	1							
35	2	23414-100000	GASKET, 10X1.0	2							
36	2	129908-39690	GASKET	1							
37	1	129400-92450	HONE	1							1
38	1	977770-1207F	GASKET,LIQUID	1							1

Remarks  
(1) OPTIONAL PARTS.

N:Old  $\frac{New}{Old}$  New, Q:Old  $\frac{New}{Old}$  New, R:Old  $\frac{New}{Old}$  New, S:Old  $\frac{New}{Old}$  New, W:Add, Z:Discontinued, F:Interchangeable by set, K:Qty Change  
Copyright (C) YANMAR CO., LTD. All Rights Reserved.

## Parts No. Index

Parts No.	Fig. No.	Ref. No.
105025-59750	16	7
106500-44810	11	31
114250-39450	11	6
114250-53080	15	5
114250-53120	15	9
114250-53130	15	10
114250-53140	15	11
114250-53210	15	12
114250-53400	15	13
119000-39650	11	29
119005-77050	5	7
119006-03090	4	75
119100-11330	4	58
119129-77020	5	5
	19	30
119131-18320	8	4
119131-77550	17	15
119160-12530	5	19
119160-12540	5	20
119160-12570	5	17
119225-11740	4	84
119225-11750	4	86
119233-77932	14	91
119260-34810	10	25
119305-59120	15	27
119593-11301	4	28
119620-11180	4	18
119620-77380	18	4
119620-77421	18	8
119620-77440	18	13
119620-77461	18	15
119620-77471	18	16
119620-77480	18	20
119620-77490	18	29
119620-79200	18	9
119620-79210	18	10
119620-79220	18	11
119620-79230	18	12
119620-79240	18	5
119620-79250	18	6
119620-79260	18	18
119620-79270	18	19
119620-79280	18	21
119620-79290	18	22
119620-79300	18	23
119620-79310	18	24
119620-79320	18	25
119620-79330	18	26
119620-79340	18	27
119620-79350	18	28

Parts No.	Fig. No.	Ref. No.
119620-79360	18	7
		30
119625-11880	4	61
	19	7
119640-01640	3	9
119640-92750	19	1
119660-61901	14	60
119802-11870	4	60
	19	6
119802-51590	13	50
119802-51600	13	51
119802-51680	13	55
119802-51690	13	56
119802-55700	16	21
119802-55710	16	22
119807-61420	14	23
119810-77340	18	33
120130-22301	9	22
121252-39150	11	7
121254-77590	17	10
121450-42450	12	35
121470-13580	6	15
121470-13590	6	14
121750-59890	10	12
	16	26
121820-12590	5	21
121850-21130	9	11
121850-21290	9	5
121850-21680	9	10
121850-21920	9	6
121850-49540	12	21
	19	19
121850-49550	12	22
	19	17
	12	24
121850-49810	5	6
	19	18
122780-59100	15	26
123900-13630	6	3
123900-25060	7	10
123900-77010	17	1
123900-77400	17	2
123900-77440	17	5
123900-77450	17	6
	9	
123900-77460	17	7
123900-77480	17	8
123900-77510	17	11
123900-77520	17	12
123900-77540	17	14

Parts No.	Fig. No.	Ref. No.
123900-77610	17	20
123900-77640	17	22
123900-77650	17	23
123900-77710	17	24
123901-03240	4	68
123901-03280	4	79
123901-18080	6	13
	19	11
123901-39820	11	32
123907-11280	4	33
123907-11550	4	3
123907-11601	15	25
123907-11820	4	12
123907-11830	4	24
123907-39500	11	35
123907-55800	16	2
123907-59540	16	13
123907-59550	16	14
	19	33
123907-59560	16	18
123910-39850	11	19
123910-49600	10	9
123910-49610	10	11
123912-07900	4	47
123912-33050	10	2
123912-33100	10	3
123951-18220	5	22
124070-13300	11	16
124160-01751	2	36
	4	50
124160-11340	4	19
	19	5
124160-11360	4	62
124223-39900	11	4
124240-01871	2	37
124240-01883	2	38
	19	29
124411-01780	3	7
124465-44950	12	36
	19	21
124722-59050	12	40
	16	16
	16	43
124766-59050	16	5
	9	
124950-11340	4	20
	19	12
129001-91810	2	25
	26	
129004-55612	16	1

Parts No.	Fig. No.	Ref. No.
129005-59830	11	10
		37
129006-44480	10	5
129100-01580	2	5
	3	1
129100-55690	16	23
129150-02450	7	4
129150-03100	4	80
129150-11230	4	36
		40
129150-11750	4	23
		37
		41
129150-14200	7	1
129150-25920	7	14
129150-35153	10	17
129150-59131	15	30
		34
129155-51280	14	6
129155-61460	14	28
129240-79300	18	14
129255-61410	14	22
129400-92450	19	37
129410-03990	4	77
129418-18320	6	4
129423-77200	18	2
129423-77710	18	17
129457-59010	16	4
129466-49300	10	8
129472-18090	8	1
	19	34
129486-59510	16	17
129486-59551	16	15
129550-59120	15	31
129612-52100	16	20
129795-01900	18	32
129900-01200	1	31
129900-01250	1	5
129900-01620	3	2
129900-01740	2	6
129900-01780	2	4
129900-01850	2	40
129900-01870	2	41
129900-02020	1	7
129900-02340	1	34
129900-02410	1	10
129900-02930	1	28
129900-02940	1	37
129900-07900	4	1
129900-13251	6	2

## Parts No. Index

Parts No.	Fig. No.	Ref. No.
129900-13251	19	10
129900-14100	7	7
129900-21200	9	4
129900-21580	9	12
129900-21600	9	15
129900-21640	9	8
129900-21660	9	9
129900-23001	9	24
129900-23200	9	29
129900-23600	9	30
129900-23610	9	32
129900-23911	9	28
129900-25100	7	11
129900-32030	2	23
	10	18
	19	13
129900-32040	2	24
	19	14
129900-35000	10	19
129900-42020	12	11
	19	15
129900-42461	12	14
129900-49870	12	31
	19	16
	17	19
129900-77591	17	21
129900-77620	17	21
129902-01710	3	8
129906-51580	13	49
129907-01190	1	33
129907-01331	1	32
	19	4
129907-01950	13	129
129907-01960	13	130
129907-03011	4	52
129907-03061	4	53
129907-03070	4	54
129907-11100	4	27
129907-11110	4	16
129907-11120	4	17
129907-11250	4	30
129907-11260	4	31
129907-11270	4	32
129907-11341	4	29
129907-11510	4	21
129907-11650	4	34
129907-11660	4	38
129907-11800	4	11
129907-11910	4	65
129907-11920	4	42
129907-11950	4	48

Parts No.	Fig. No.	Ref. No.
129907-12110	5	2
	19	9
129907-14400	7	2
129907-22050	9	18
129907-25900	7	17
129907-39061	11	33
129907-42000	12	1
129907-49610	12	37
129907-49620	12	41
129907-49710	12	38
129907-49720	12	42
129907-49730	12	23
129907-49750	12	39
129907-49800	12	19
129907-51340	13	27
129907-51560	13	45
129907-59140	16	12
129907-59720	15	35
129908-01500	2	8
129908-03099	4	66
129908-03209	4	67
129908-03219	4	69
129908-03229	4	70
129908-11700	4	4
129908-14581	7	3
129908-21000	9	1
129908-22080	9	16
129908-32060	2	11
129908-33010	10	1
129908-33101	10	4
129908-39410	11	23
129908-39690	11	21
	19	36
129908-53000	15	2
129908-59810	15	37
129908-59820	15	38
129908-59830	15	39
129908-59840	15	40
129916-44740	12	16
129916-49530	12	20
129916-59020	13	127
129916-77300	18	1
129933-11310	4	57
	19	8
129933-11320	4	51
129935-03260	4	72
129935-03270	4	74
129935-12080	5	11
129935-12520	5	18
129935-12530	5	16

Parts No.	Fig. No.	Ref. No.
129935-12531	5	16 -1
129935-13100	6	1
129935-13500	6	6
129935-13600	6	7
129935-13620	6	8
129935-13630	6	5
129935-18010	8	3
129935-18350	5	8
129935-39020	11	2
129935-39040	11	1
129935-39610	11	17
129935-44710	12	17
129944-12110	5	1
129944-12620	5	12
129944-49059	10	7
129950-59221	16	10
129951-34801	10	16
129951-34820	10	15
129953-25300	7	16
129957-59120	16	6
129960-03990	4	78
129980-59510	16	11
129981-59010	16	8
144626-51090	13	83
158552-51570	13	46
158552-51580	13	48
158552-51670	13	125
158552-51780	13	118
158552-52100	13	71
158552-52310	13	73
158552-52400	13	74
158552-52500	13	72
158552-61900	14	76
158553-51551	13	43
158553-51630	13	60
158553-51640	13	62
158553-51660	13	64
158553-51670	13	54
158553-51680	13	65
158557-51570	13	47
158560-51300	13	18
158560-51600	13	59
158560-61050	14	2
158560-61061	14	3
158560-61071	14	4
158560-61430	14	24
158560-61442	14	25
158563-51150	7	18
158563-51281	13	16
		17

Parts No.	Fig. No.	Ref. No.
158563-51330	13	26
158600-51270	13	15
158601-51550	13	42
158601-51570	13	44
158601-51650	13	63
158601-51770	13	117
158601-51790	13	116
171008-77750	17	25
171031-11741	4	85
171051-01921	1	6
171056-49120	10	6
171301-92750	19	2
22137-100000	6	16
22190-080002	11	8
		11
		15
		38
		40
	16	19
	19	25
22190-120002	13	76
		77
		119
22190-160002	14	61
22190-180002	13	78
		120
22190-220002	3	11
	19	26
22217-100000	6	17
22217-180000	7	19
	13	79
22252-000300	9	23
22312-050140	13	80
22351-030010	11	30
22351-050010	13	81
22351-060012	1	11
22512-070140	7	8
	9	7
22857-500100	4	59
23000-022000	4	76
23000-025000	10	13
	11	20
23000-054000	5	23
23000-060000	5	13
23000-090000	5	24
23414-080000	12	32
	19	20
23414-100000	11	9
	19	35
23857-030000	11	12

## Parts No. Index

Parts No.	Fig. No.	Ref. No.
23857-030000	11	39
23857-060000	13	84
23875-030000	12	28
23876-020000	4	13
23876-030000	1	12
		13
		14
	4	14
23887-120002	13	121
23887-160002	14	63
24311-000070	2	27
	13	85
	19	22
24311-000120	4	63
		83
	19	23
24311-000160	16	25
24311-000300	4	87
	19	28
24311-000320	2	44
	4	64
		88
	19	24
24311-240100	10	26
	19	32
24321-000600	10	14
	19	31
24321-000650	16	24
24351-030750	2	28
	19	27
24356-010200	13	57
		86
24356-020210	13	87
24372-000150	13	58
25152-004200	12	15
26013-080222	5	15
26014-080252	18	34
26106-060102	13	88
	14	64
		65
26106-060122	12	29
26106-060142	14	77
26106-060162	11	22
	15	41
26106-060202	12	30
26106-060252	14	78
26106-060302	12	12
26106-060352	13	89
26106-060402	14	79
26106-080122	3	12

Parts No.	Fig. No.	Ref. No.
26106-080122	4	81
	10	24
	11	13
		14
		41
		42
	12	33
26106-080162	2	29
		30
		39
		42
	4	2
	6	9
		10
	7	9
	10	27
	13	131
26106-080182	15	42
26106-080202	2	31
	5	14
	6	11
26106-080222	4	82
	13	132
		133
26106-080302	16	3
26106-080402	2	32
		33
	4	44
	12	18
26106-080452	2	34
	5	3
26106-080552	7	15
	12	13
26106-080602	4	45
		46
	12	34
26106-080702	5	9
26106-080802	5	4
26106-080902	5	10
26106-100202	13	134
26106-100702	6	18
26116-050102	4	71
26116-060102	14	51
26116-120252	17	26
26206-100352	3	5
26206-100702	3	6
26216-100302	2	10
26226-080222	4	43
26306-080002	4	49
	6	12

Parts No.	Fig. No.	Ref. No.
26306-080002	6	20
	8	2
26306-100002	2	35
	18	31
26450-100452	13	92
26706-100002	6	19
26756-060002	14	66
26776-180002	7	20
	13	93
27241-300000	1	15
27241-400000	4	15
27310-070001	4	25
729900-02800	1	25
729907-01550	2	1
729907-22950	9	36
729907-92950	19	3
729908-01560	1	1
729908-22900	9	34
729908-53100	15	1
729935-51301	13	1
977770-1207F	2	43
	3	13
	4	89
	19	38
X2240610100	17	13
X9490561001	18	3

Parts No.	Fig. No.	Ref. No.
-----------	----------	----------