

OCR10-M65900EN

# PREFACE

- 1.This Parts Catalog carries all parts incorporated in YANMAR Model 4TNV98T-NSAP engine manufactured since August, 2006.
- 2.Each illustration corresponds to the parts list on the following page.
- 3.When ordering parts,clearly write down the engine model and serial number,as well as the name and number of each part in your order sheet. This will help insure reliable delivery of the parts you have ordered.

## Directions for the Parts Catalog.

- 1.The parts stipulated in this Parts Catalog are not necessarily standard equipped parts.
- 2.Parts may change without prior notice.
- 3.The following is an example of the Parts Catalog format.

REF.	LEV.	PARTS NO.	DESCRIPTION	Q'TY						I	R
				(A)	(B)	(C)	(D)	(E)	(F)		
1	1	729595-51390	FUEL INJECTION PUMP	1	1	1	1	1			1
1-1	1	729595-51391	FUEL INJECTION PUMP	1	1	1	1	1		N	1
		(A=E00185) (B=E00200)									
3	2	26022-060162	SCREW M 6X 16	9	9	9	9	9			
3-1	2	26022-060162	SCREW M 6X 16	4	4	4	4	4		K	
		(A=E00156) (B=E00156) (C=E00156) (D=E00156) (E=E00156)									
4	2	129470-51040	CAMSHAFT	1	1	1	1	1			
5	2	122710-51050	BEARING, ROLLER	2	2	2	2	2			
6	2	129470-51060	RETAINER	1	1	1	1	1			

Remarks
(1) BOOST COMPEMSATOR TYPE. OPTIONAL PART, TO E00155,(4JH-DT, 4JH-DTZ

### ① Ref. No.

The Ref. No. listed may not be in accordance with the illustration Ref. No.

(Ex.) Illustration No.

List Ref No.

1 1 (Before change) → 1-1 (After change)

For interchangeable symbols N, R and K, illustrations for new parts may be abbreviated.

### ② Lev. (Level)

Level indication

The numbers below indicate the level of relativity towards the main part.

1 ---- Main parts (Assembly parts)

2 ---- Sub component included in " 1 ".

3 ---- Sub component included in " 2 ".

Note) Parts that are not for sale are partially illustrated but not listed.

### ③ Interchangeability Mark

When a part change takes place, one of the following interchangeability symbols is indicated beside the part.

Symbol	Interchangeability	Contents note
N	Old $\begin{matrix} \leftarrow \text{Yes} \\ \text{No} \rightarrow \end{matrix}$ New	New Part is interchangeable for Old Part but Old Part is not interchangeable for New Part.
Q	Old $\begin{matrix} \leftarrow \text{No} \\ \text{Yes} \rightarrow \end{matrix}$ New	New Part is not interchangeable for Old Part but Old Part is interchangeable for New Part.
R	Old $\begin{matrix} \leftarrow \text{Yes} \\ \text{Yes} \rightarrow \end{matrix}$ New	New/ Old Parts are both interchangeable.
S	Old $\begin{matrix} \leftarrow \text{No} \\ \text{No} \rightarrow \end{matrix}$ New	New/ Old Parts are both not interchangeable.
W		Part newly added.
Z		Part discontinued.
F		Not interchangeable by a single part but interchangeable together with related parts.
K		Changes only for used parts quantities.

### ④ Effective Machine No.

When a part changes, the effective Machine No. will be indicated in the (A)-(F) column.

Product Symbol	Product No.	Product Symbol	Product No.
C	Clutch No. Compressor No.	F	Machine No. (Agricultural Equip.)
D	Drive No.	M	Machine No.
E	Engine No.		

Note 1) A date may follow the symbol. (Ex.) 1996.01

Note 2) " XXXXX " and " ZZZZZ " are for parts that could not be predicted or for engine models that could not be identified.

Note 3) (A=E00185) is the E (Engine Serial Number) for the column (A) model (in this case 4JH-DT) after the parts design change.

### ⑤ Remarks Mark

Figures or alphabets (symbols) are entered in the remarks column.

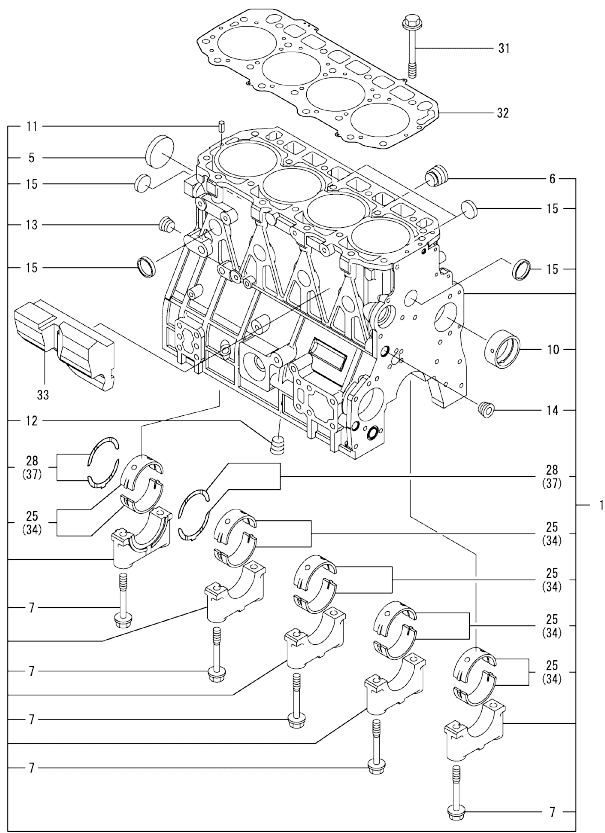
The comments (remarks) on parts that are indicated at the bottom of the illustration are the same symbols as those stated above.

## Contents

OCR10-M65900

Fig. No.	Fig. Name	Fig. No.	Fig. Name
ENGINE SECTION (4TNV98T-NSAP)			
1.	CYLINDER BLOCK		
2.	GEAR HOUSING		
3.	FLYWHEEL HOUSING & OIL SUMP		
4.	CYLINDER HEAD & BONNET		
5.	SUCTION MANIFOLD & AIR CLEANER		
6.	EXHAUST MANIFOLD & SILENCER		
7.	CAMSHAFT & DRIVING GEAR		
8.	TURBINE		
9.	CRANKSHAFT & PISTON		
10.	LUB.OIL SYSTEM		
11.	LUB.OIL LINE		
12.	COOLING WATER SYSTEM		
13.	RADIATOR		
14.	FUEL INJECTION PUMP		
15.	GOVERNOR		
16.	FUEL INJECTION VALVE		
17.	FUEL LINE		
18.	ENGINE CONTROL DEVICE		
19.	STARTING MOTOR		
23.	(19A)STARTING MOTOR		
20.	GENERATOR		
21.	ELECTRIC PARTS		
22.	GASKET SET		

Fig.1. CYLINDER BLOCK



(A)=4TNV98T-NSAP  
(B)=  
(C)=

(D)=  
(E)=  
(F)=

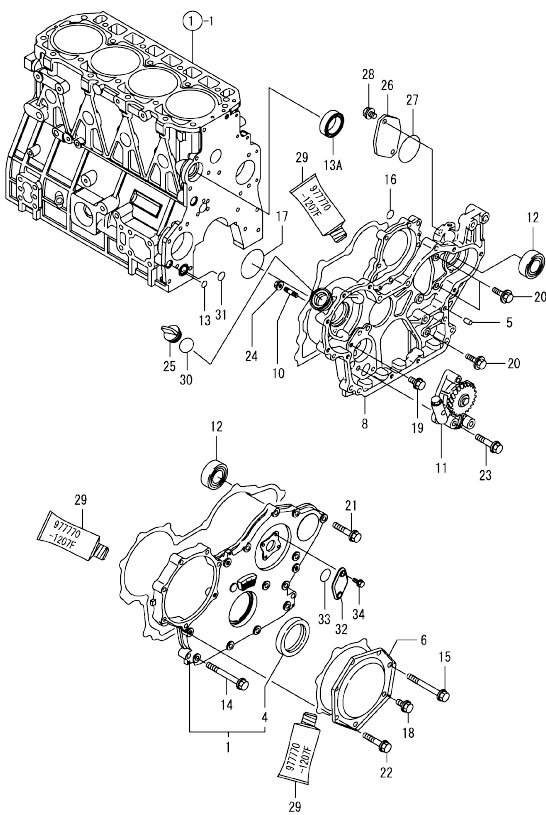
No.	Lev.	Parts No.	Description	Q'ty						I	R
				(A)	(B)	(C)	(D)	(E)	(F)		
1	1	729908-01560	BLOCK ASSY, CYLINDER	1							
5	2	129900-01250	PLUG, DISH TYPE 55	1							
6	2	171051-01921	PLUG, NPTF1	1							
7	2	129900-02020	BOLT, METAL CAP	10							
10	2	129900-02410	BUSH, CAMSHAFT	1							
11	2	22351-060012	PIN, SPRING 6.0X12	2							
12	2	23876-030000	PLUG, R03	1							
13	2	23876-030000	PLUG, R03	1							
14	2	23876-030000	PLUG, R03	1							
15	2	27241-300000	PLUG 30	8							
25	2	729900-02801	BEARING, MAIN	5							3
28	2	129900-02931	BEARING ASSY, THRUST	2							
31	1	129900-01200	BOLT, CYLINDER HEAD	18							
32	1	129907-01331	GASKET, HEAD	1							
33	1	129907-01190	SPACER	1							
34	1	129900-02341	BEARING ASSY, MAIN	5							1
37	1	129900-02941	BEARING, THRUST 0.25	2							2

Remarks  
(1) UNDER-SIZED(U.S=0.25)PART.  
(2) OVER-SIZED(O.S=0.25)PART.  
(3) REPAIR PART.

Fig.2. GEAR HOUSING

(A)=4TNV98T-NSAP  
(B)=  
(C)=

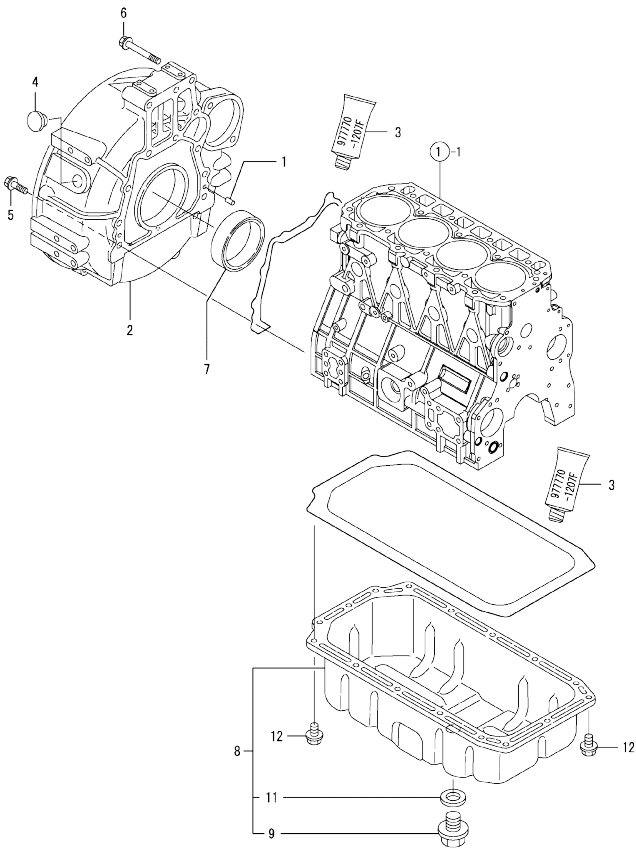
(D)=  
(E)=  
(F)=



No.	Lev.	Parts No.	Description	Q'ty						I	R
				(A)	(B)	(C)	(D)	(E)	(F)		
1	1	729907-01570	COVER ASSY,GEAR CASE	1							
4	2	129900-01780	SEAL, OIL	1							
5	1	129100-01580	PIN, PARALLEL 8X16	4							
6	1	129900-01740	COVER	1							
8	1	129933-01500	CASE, GEAR	1							
10	1	26216-100302	STUD, M10X 30	4							
11	1	129908-32060	PUMP ASSY, OIL	1							
12	1	129900-26250	BEARING, BALL 6206C3	2							
13	1	129900-32040	O-RING, P14	1							
13A	1	129927-42140	GASKET, PUMP OUTLET	1							W
(A=EW1269)											
14	1	129001-91810	BOLT, M8X70	6							
15	1	129001-91810	BOLT, M8X70	1							
16	1	24311-000070	O-RING, 1AP7.0	1							
17	1	24351-030750	O-RING, 1A3075	1							
18	1	26106-080162	BOLT, M8X 16 PLATED	1							
19	1	26106-080162	BOLT, M8X 16 PLATED	1							
20	1	26106-080202	BOLT, M8X 20 PLATED	3							
21	1	26106-080402	BOLT, M8X 40 PLATED	5							
22	1	26106-080402	BOLT, M8X 40 PLATED	5							
23	1	26106-080452	BOLT, M8X 45 PLATED	3							
24	1	26306-100002	NUT, M10	4							
25	1	124160-01751	CAP, FILLER	1							
26	1	121023-26070	COVER, PUMP	1							
27	1	24321-000850	O-RING, 1AG85.0	1							
28	1	26106-100202	BOLT, M10X 20 PLATED	2							
29	1	977770-1207F	GASKET,LIQUID	1							1
30	1	24311-000320	O-RING, 1AP32.0	1							
31	1	129900-32030	O-RING, P20	1							
32	1	121023-01551	COVER	1							
33	1	24341-000240	O-RING, 1AS24.0	1							
34	1	26106-060162	BOLT, M6X 16 PLATED	2							

Remarks  
(1) OPTIONAL PART.

Fig.3. FLYWHEEL HOUSING & OIL SUMP



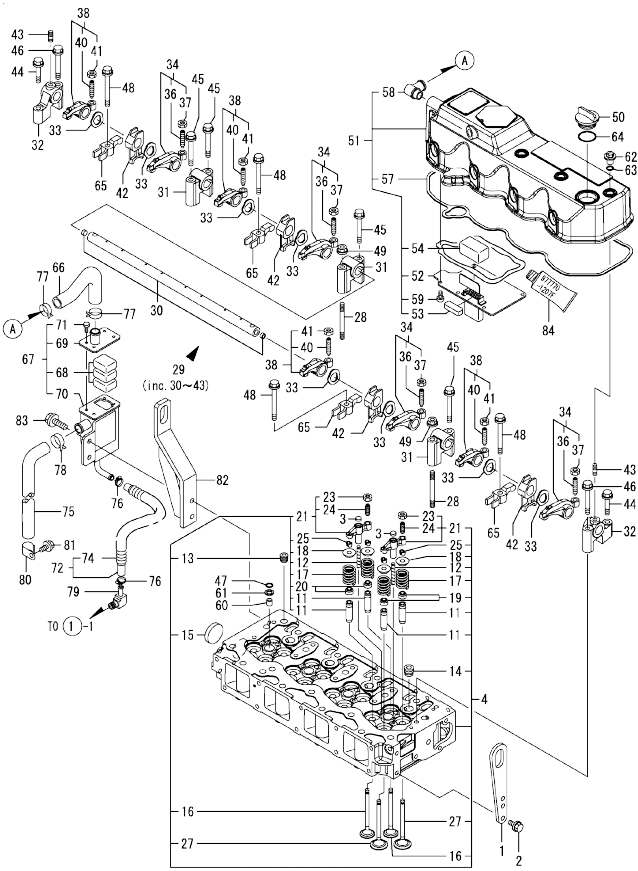
(A)=4TNV98T-NSAP  
(B)=  
(C)=

(D)=  
(E)=  
(F)=

No.	Lev.	Parts No.	Description	Q'ty						I	R
				(A)	(B)	(C)	(D)	(E)	(F)		
1	1	129100-01580	PIN, PARALLEL 8X16	2							
2	1	129955-01600	HOUSING, FLYWHEEL	1							
3	1	977770-1207F	GASKET, LIQUID	1							1
4	1	119620-01750	CAP	1							
5	1	26206-100352	BOLT, M10X 35 PLATED	9							
6	1	26206-100702	BOLT, M10X 70 PLATED	3							
7	1	124411-01780	SEAL, HTC95X115X12	1							
8	1	129916-01710	OIL PAN ASSY	1							
9	2	119640-01640	PLUG, DRAIN M22	1							
11	2	22190-220002	WASHER, SEAL 22	1							
12	1	26106-080122	BOLT, M8X 12 PLATED	16							

Remarks  
(1) OPTIONAL PART.

Fig.4. CYLINDER HEAD & BONNET



Remarks  
 (1) REPAIR PART.  
 (2) OPTIONAL PART.

(A)=4TNV98T-NSAP  
 (B)=  
 (C)=

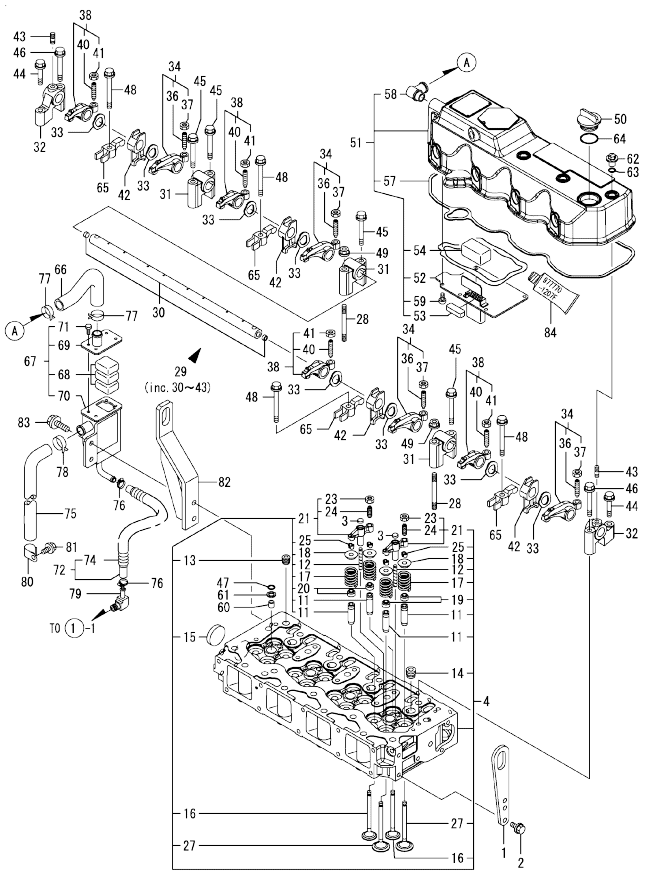
(D)=  
 (E)=  
 (F)=

No.	Lev.	Parts No.	Description	Q'ty						I	R
				(A)	(B)	(C)	(D)	(E)	(F)		
1	1	129900-07900	LIFTER, ENGINE	1							
2	1	26106-080162	BOLT, M8X 16 PLATED	2							
3	1	123907-11550	SEAT, VALVE BRIDGE	8							
4	1	129908-11700	HEAD ASSY, CYLINDER	1							1
11	2	129907-11800	GUIDE, VALVE	16							
12	2	123907-11820	GUIDE, BRIDGE	8							
13	2	23876-020000	PLUG, R02	1							
14	2	23876-030000	PLUG, R03	4							
15	2	27241-400000	PLUG, 40	1							
16	2	129907-11110	VALVE, EXHAUST	8							
17	2	129907-11120	SPRING, VALVE	16							
18	2	119620-11180	RETAINER, SPRING	16							
19	2	124160-11340	SEAL, VALVE STEM	8							
20	2	124950-11340	SEAL, VALVE STEM	8							
21	2	129907-11510	BRIDGE ASSY, VALVE	8							
23	3	129150-11750	NUT, M8	8							
24	3	123907-11830	ADJUSTER, VALVE	8							
25	2	27310-070001	COTTER, 7	16							
27	2	129907-11100	VALVE, SUCTION	8							
28	1	119593-11301	BOLT, STUD M8X80	2							
29	1	129907-11341	SHAFT ASSY, ROCKER	1							
30	2	129907-11250	SHAFT, ROCKER ARM	1							
31	2	129907-11260	SUPPORT, ROCKER ARM	3							
32	2	129907-11270	SUPPORT, ROCKER ARM	2							
33	2	123907-11280	WASHER	8							
34	2	129907-11650	ARM ASSY, ROCKER	4							
36	3	129150-11230	SCREW, VALVE ADJUST	4							
37	3	129150-11750	NUT, M8	4							
38	2	129907-11660	ARM ASSY, ROCKER	4							
40	3	129150-11230	SCREW, VALVE ADJUST	4							
41	3	129150-11750	NUT, M8	4							
42	2	129907-11920	RETAINER, NOZZLE	4							
43	2	26226-080222	STUD, M8X 22	2							
44	1	26106-080402	BOLT, M8X 40 PLATED	2							
45	1	26106-080602	BOLT, M8X 60 PLATED	4							
46	1	26106-080602	BOLT, M8X 60 PLATED	2							
47	1	24311-000120	O-RING, 1AP12.0	4							
48	1	129907-11950	BOLT, M8X75	4							
49	1	26306-080002	NUT, M8	2							
50	1	124160-01751	CAP, FILLER	1							
51	1	129933-11320	BONNET ASSY, HEAD	1							
52	2	129907-03011	PLATE, BAFFLE	1							
53	2	129907-03061	BAFFLE, BREATHER	1							
54	2	129907-03070	BAFFLE, BREATHER	1							
57	2	129933-11310	GASKET, BONNET	1							
58	2	119100-11330	ELBOW, BREATHER	1							
59	2	22857-500100	SCREW, 5X10	6							
60	1	119802-11870	PROTECTOR, NOZZLE	4							
61	1	119625-11880	SEAT, NOZZLE	4							
62	1	124160-11360	KNOB	4							
63	1	24311-000120	O-RING, 1AP12.0	4							

N:Old  $\frac{100}{100}$  New, Q:Old  $\frac{100}{100}$  New, R:Old  $\frac{100}{100}$  New, S:Old  $\frac{100}{100}$  New, W:Add, Z:Discontinued, F:Interchangeable by set, K:Q'ty Change  
 ++ CONTINUE ++  
 Copyright (C) YANMAR GLOBAL CS CO., LTD. All Rights Reserved.



Fig.4. CYLINDER HEAD & BONNET



(A)=4TNV98T-NSAP  
(B)=  
(C)=

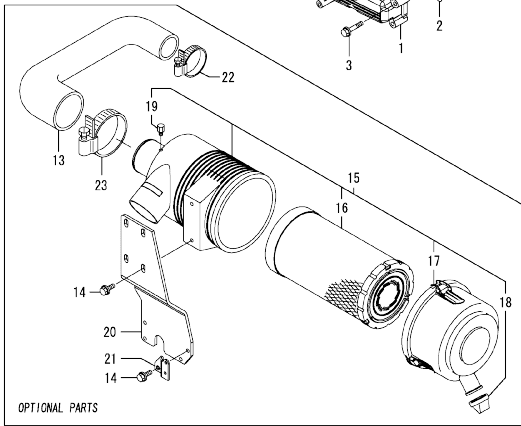
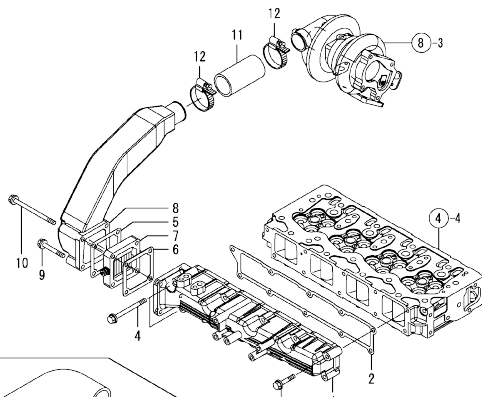
(D)=  
(E)=  
(F)=

No.	Lev.	Parts No.	Description	Qty						I	R	
				(A)	(B)	(C)	(D)	(E)	(F)			
64	1	24311-000320	O-RING, 1AP32.0	1								
65	1	129907-11910	RETAINER, NOZZLE	4								
66	1	129908-03099	HOSE, BREATHER	1								
67	1	129908-03209	BREATHER ASSY	1								
68	2	123901-03240	FILTER	3								
69	2	129908-03219	COVER, BREATHER	1								
70	2	129908-03229	BREATHER	1								
71	2	26116-050102	BOLT, M5X 10 PLATED	4								
72	1	129935-03260	HOSE ASSY RETURN	1								
74	2	129935-03270	TUBE, CORRUGATED	1								
75	1	119006-03090	HOSE, BREATHER	1								
76	1	23000-022000	CLAMP, 22	2								
77	1	129410-03990	CLAMP, HOSE 21.5	2								
78	1	129960-03990	CLAMP, HOSE 19.8	1								
79	1	123901-03280	ELBOW, PT3/8-10	1								
80	1	129150-03100	RETAINER, PIPE	1								
81	1	26106-080122	BOLT, M8X 12 PLATED	1								
82	1	123912-07900	LIFTER, ENGINE	1								
83	1	26106-080222	BOLT, M8X 22 PLATED	2								
84	1	977770-1207F	GASKET, LIQUID	1								2

Remarks

- (1) REPAIR PART.
- (2) OPTIONAL PART.

Fig.5. SUCTION MANIFOLD & AIR CLEANER



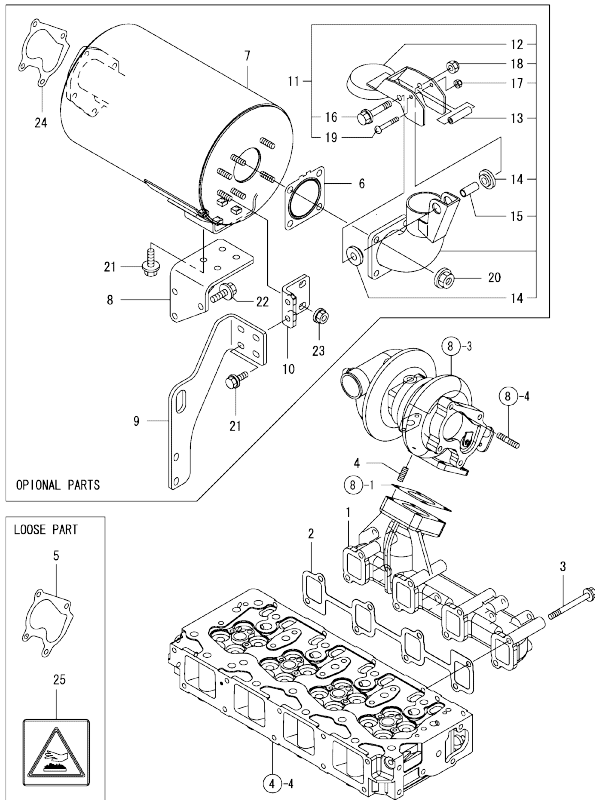
(A)=4TNV98T-NSAP  
(B)=  
(C)=

(D)=  
(E)=  
(F)=

No.	Lev.	Parts No.	Description	Q'ty						I	R
				(A)	(B)	(C)	(D)	(E)	(F)		
1	1	129944-12110	MANIFOLD, AIR INTAKE	1							
2	1	129907-12110	GASKET, MANIFOLD	1							
3	1	26106-080452	BOLT, M8X 45 PLATED	8							
4	1	26106-080802	BOLT, M8X 80 PLATED	2							
5	1	119129-77020	GASKET	1							
6	1	121850-77021	GASKET, AIR HEATER	1							
7	1	119005-77050	HEATER, AIR	1							
8	1	129935-18350	DUCT, AIR	1							
9	1	26106-080702	BOLT, M8X 70 PLATED	2							
10	1	26106-080902	BOLT, M8X 90 PLATED	2							
11	1	123951-18220	JOINT, RUBBER	1							
12	1	23000-054000	CLAMP, 54	2							
13	1	129935-12070	HOSE, AIR INTAKE	1							1
14	1	26106-080202	BOLT, M8X 20 PLATED	6							1
15	1	129933-12500	AIR CLEANER ASSY	1							1
16	2	129935-12520	ELEMENT, OUTER	1							1
17	2	119160-12530	COVER ASSY	1							1
18	2	119160-12540	VALVE	1							1
19	2	121820-12590	NIPPLE	1							1
20	1	129944-12620	BRACKET, CLEANER	1							1
21	1	129907-59720	SUPPORT	1							1
22	1	23000-060000	CLAMP, 60	1							1
23	1	23000-090000	CLAMP, 90	1							1

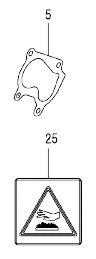
Remarks  
(1) OPTIONAL PART.

Fig.6. EXHAUST MANIFOLD & SILENCER



OPTIONAL PARTS

LOOSE PART



(A)=4TNV98T-NSAP  
(B)=  
(C)=

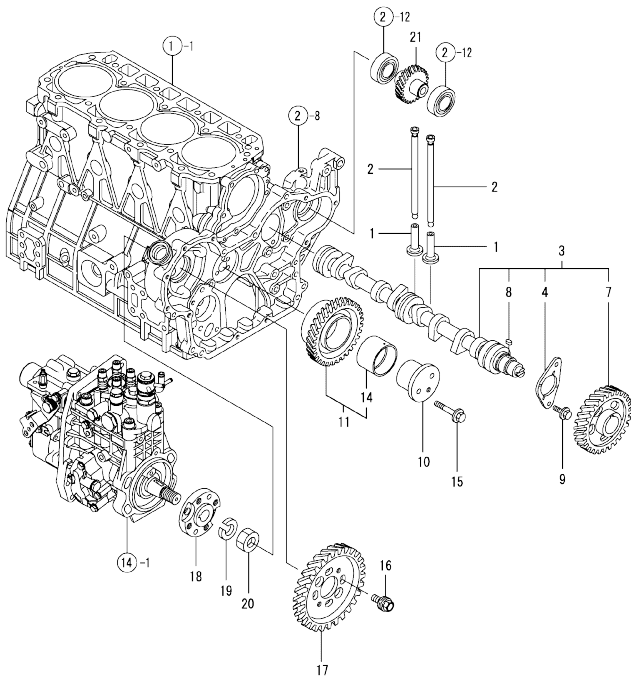
(D)=  
(E)=  
(F)=

No.	Lev.	Parts No.	Description	Q'ty						I	R
				(A)	(B)	(C)	(D)	(E)	(F)		
1	1	129935-13100	MANIFOLD, EXHAUST	1							
2	1	129900-13251	GASKET, EXH.MANIFOLD	1							
3	1	123900-13630	BOLT, M8X80	8							
4	1	129418-18320	BOLT, STUD M8X20	4							
5	1	123901-18080	GASKET	1							
6	1	129930-13201	GASKET, SILENCER	1							1
7	1	129908-13510	SILENCER	1							1
8	1	129935-13600	STAY, SILENCER	1							1
9	1	129937-13620	STAY	1							1
10	1	129935-13630	STAY, SILENCER	1							1
11	1	123925-13600	PIPE ASSY, TAIL	1							1
12	2	128300-13640	CAP	1							1
13	2	121855-13821	SPACER, A	1							1
14	2	121855-13830	SPACER, B	2							1
15	2	123500-13840	SPACER, C	1							1
16	2	26106-060402	BOLT, M6X 40 PLATED	1							1
17	2	26347-040002	NUT, M4	1							1
18	2	26347-060002	NUT, M6	1							1
19	2	26557-040352	SCREW, M4X35	1							1
20	1	26306-080002	NUT, M8	4							1
21	1	26106-080202	BOLT, M8X 20 PLATED	6							1
22	1	26106-080162	BOLT, M8X 16 PLATED	3							1
23	1	26306-080002	NUT, M8	6							1
24	1	123901-18080	GASKET	1							1
25	1	114220-07130	LABEL, HOT SURFACE	1							W

(A=EXXXXX)

Remarks  
(1) OPTIONAL PART.

Fig.7. CAMSHAFT & DRIVING GEAR



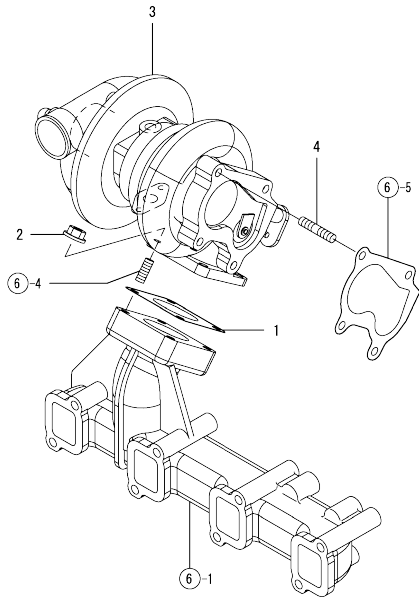
(A)=4TNV98T-NSAP  
(B)=  
(C)=

(D)=  
(E)=  
(F)=

No.	Lev.	Parts No.	Description	Q'ty						I	R
				(A)	(B)	(C)	(D)	(E)	(F)		
1	1	129150-14200	TAPPET	8							
2	1	129907-14400	PUSH-ROD	8							
3	1	129908-14581	CAMSHAFT ASSY	1							
4	2	129150-02450	BEARING, THRUST	1							
7	2	129900-14100	GEAR, CAMSHAFT	1							
8	2	22512-070140	KEY, 7X 14	1							
9	1	26106-080162	BOLT, M8X 16 PLATED	2							
10	1	123900-25060	SHAFT, IDLE GEAR	1							
11	1	129900-25100	GEAR ASSY, IDLE	1							
14	2	129150-25920	BUSH, IDLE GEAR	1							1
15	1	26106-080552	BOLT, M8X 55 PLATED	3							
16	1	129953-25300	BOLT	4							
17	1	129907-25900	GEAR, PUMP	1							
18	1	158563-51150	FLANGE	1							
19	1	22217-180000	WASHER, SPRING 18	1							
20	1	26776-180002	NUT, LOCK M18	1							
21	1	129980-26200	GEAR, PUMP	1							

Remarks  
(1) REPAIR PART.

Fig.8. TURBINE

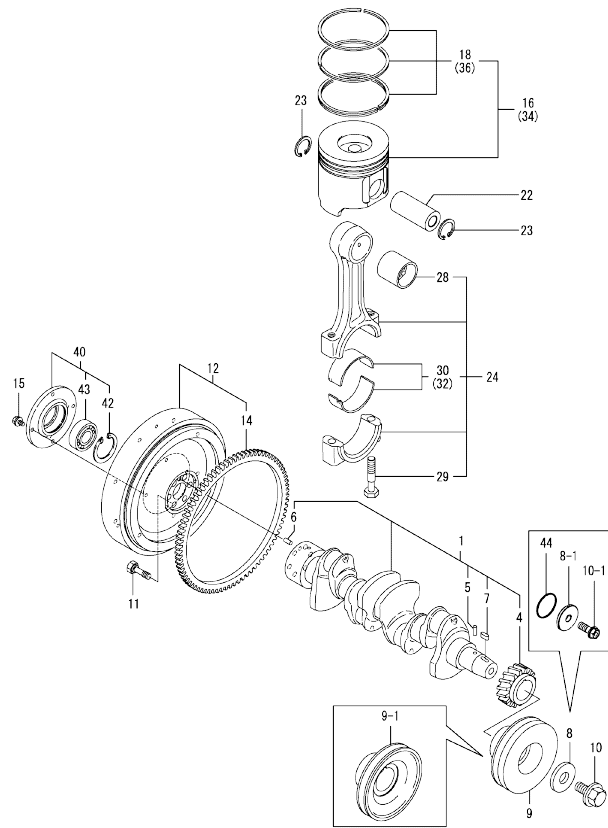


(A)=4TNV98T-NSAP  
(B)=  
(C)=

(D)=  
(E)=  
(F)=

No.	Lev.	Parts No.	Description	Q'ty					
				(A)	(B)	(C)	(D)	(E)	(F)
1	1	129472-18090	GASKET	1					
2	1	26306-080002	NUT, M8	4					
3	1	129935-18010	TURBOCHARGER, RHF5	1					
4	1	119131-18320	BOLT, STUD M8X22	4					

Fig.9. CRANKSHAFT & PISTON



(A)=4TNV98T-NSAP  
(B)=  
(C)=

(D)=  
(E)=  
(F)=

No.	Lev.	Parts No.	Description	Q'ty						I	R
				(A)	(B)	(C)	(D)	(E)	(F)		
1	1	129908-21000	CRANKSHAFT ASSY	1							
4	2	129900-21200	GEAR, CRANKSHAFT	1							
5	2	121850-21290	PIN	1							
6	2	121850-21920	PIN, PARALLEL 10X22	1							
7	2	22512-070140	KEY, 7X 14	1							
8	1	129900-21640	WASHER	1							
8-1	1	129960-21940	WASHER, V-PULLEY	1							N
		(A=E135808)									
9	1	129907-21660	V-PULLEY, CRANK 130	1							
9-1	1	129900-21660	V-PULLEY, CRANK 130	1							R
		(A=EH0832)									
10	1	121850-21680	BOLT	1							
10-1	1	129916-21610	BOLT, V-PULLEY	1							N
		(A=E135808)									
11	1	121850-21130	BOLT, FLYWHEEL	6							
12	1	129955-21590	FLYWHEEL ASSY	1							
14	2	129900-21600	GEAR, RING	1							
15	1	26106-080222	BOLT, M8X 22 PLATED	4							
16	1	129908-22080	PISTON ASSY	4							
18	2	129907-22050	RING SET, PISTON	4							
22	1	120130-22301	PIN, PISTON	4							
23	1	22252-000300	RING, 30	8							
24	1	129900-23001	ROD ASSY, CONNECTING	4							
28	2	129900-23911	BEARING, PISTON PIN	4							1
29	2	129900-23200	BOLT, CONNECTING ROD	8							
30	2	129900-23601	BEARING, CRANK PIN	4							
32	1	129900-23611	BEARING ASSY, 0.25US	4							2
34	1	729908-22900	PISTON ASSY, 0.25 OS	4							3
36	2	729907-22950	RING SET, 0.25 OS	4							3
40	1	129955-21460	CASE ASSY	1							
42	2	22252-000721	RING, 72	1							
43	2	24105-063064	BEARING, BALL 6306Z	1							
44	1	129960-21930	GASKET, WASHER	1							W
		(A=E135808)									

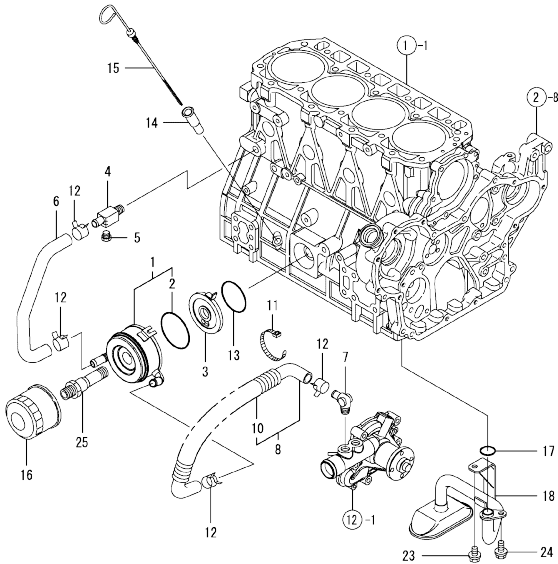
Remarks  
(1) REPAIR PART.  
(2) UNDER-SIZE(U.S=0.25)PART.  
(3) OVER-SIZE(O.S=0.25)PART.

Fig.10. LUB.OIL SYSTEM

(A)=4TNV98T-NSAP  
(B)=  
(C)=

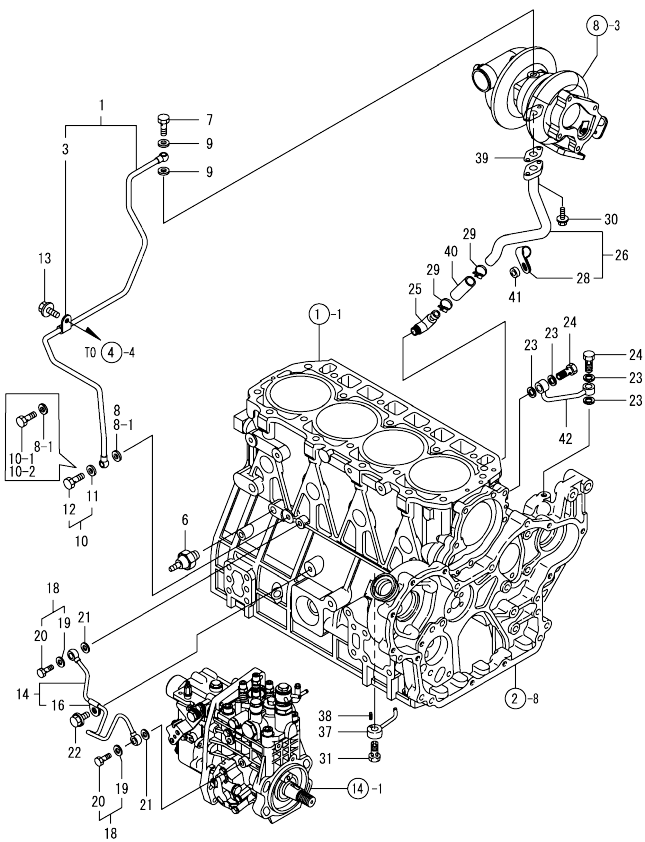
(D)=  
(E)=  
(F)=

No.	Lev.	Parts No.	Description	Q'ty						I	R
				(A)	(B)	(C)	(D)	(E)	(F)		
1	1	129908-33010	COOLER ASSY, OIL	1							
2	2	123912-33050	O-RING	1							
3	1	129908-33101	BRACKET, OIL COOLER	1							
4	1	129006-44480	JOINT	1							
5	1	171056-49120	PLUG, DRAIN R1/4	1							
6	1	129908-49060	HOSE, WATER	1							
7	1	129466-49300	ELBOW, PT3/8	1							
8	1	123910-49600	HOSE ASSY WATER	1							
10	2	123910-49610	TUBE, CORRUGATED	1							
11	1	121750-59890	BAND, NYLON	1							
12	1	23000-025000	CLAMP, 25	4							
13	1	24321-000600	O-RING, 1AG60.0	1							
14	1	121520-34810	GUIDE, DIPSTICK	1							
15	1	129953-34830	DIPSTICK	1							
16	1	129150-35170	FILTER,LO	1							
17	1	129900-32030	O-RING, P20	1							
18	1	129953-35000	PIPE ASSY, OIL INLET	1							
23	1	26106-080122	BOLT, M8X 12 PLATED	1							
24	1	26106-080162	BOLT, M8X 16 PLATED	1							
25	1	123912-33100	BOLT, COOLER	1							



Remarks  
(1) REPAIR PART.

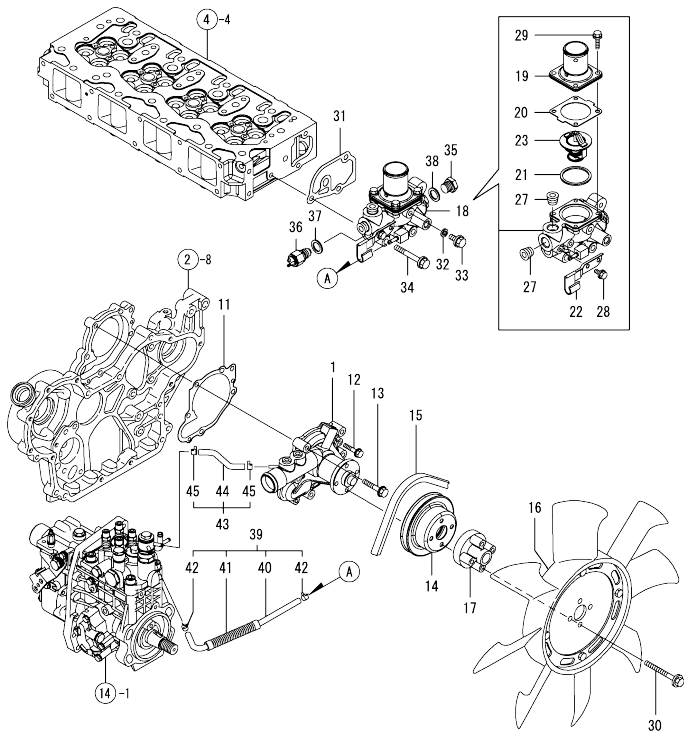
Fig.11. LUB.OIL LINE



No.	Lev.	Parts No.	Description	Q'ty						I	R
				(A)	(B)	(C)	(D)	(E)	(F)		
1	1	129935-39040	PIPE ASSY, OIL	1							
3	2	124223-39900	RETAINER	1							
6	1	114250-39450	SWITCH, HYDRAULIC	1							
7	1	121252-39150	BOLT, JOINT M10X1.5	1							
8	1	22190-080002	WASHER, SEAL 6	1							
8-1	1	22190-080002	WASHER, SEAL 8	2							K
(A=E28927)											
9	1	23414-100000	GASKET, 10X1.0	2							
10	1	129005-59830	BOLT ASSY, JOINT M8	1							
10-1	1	105010-39140	BOLT, PIPE JOINT M8	1							S
(A=E28927)											
10-2	1	129198-59540	BOLT, PIPE JOINT M8	1							S
(A=*2020.06)											
11	2	22190-080002	WASHER, SEAL 6	1							Z
(A=E28927)											
12	2	23857-030000	BOLT, JOINT 3	1							Z
(A=E28927)											
13	1	26106-080122	BOLT, M8X 12 PLATED	1							
14	1	129907-39061	PIPE ASSY, OIL	1							
16	2	123907-39500	RETAINER, PIPE	1							
18	1	129005-59830	BOLT ASSY, JOINT M8	2							
19	2	22190-080002	WASHER, SEAL 6	2							
20	2	23857-030000	BOLT, JOINT 3	2							
21	1	22190-080002	WASHER, SEAL 6	2							
22	1	26106-080122	BOLT, M8X 12 PLATED	1							
23	1	22190-080002	WASHER, SEAL 6	4							
24	1	105010-39140	BOLT, PIPE JOINT	2							
25	1	124070-13300	ELBOW, PT3/8	1							
26	1	129935-39610	PIPE, OIL	1							
28	2	123910-39850	RETAINER	1							
29	1	23000-025000	CLAMP, 25	2							
30	1	26106-060162	BOLT, M6X 16 PLATED	2							
31	1	129908-39410	VALVE ASSY, CHECK	4							
37	1	119000-39650	NOZZLE, COOLING	4							
38	1	22351-030010	PIN, SPRING 3.0X10	4							
39	1	129908-39690	GASKET	1							
40	1	123901-39820	HOSE, LO RETURN	1							
41	1	106500-44810	SPACER, PULLEY	1							
42	1	129930-39050	PIPE, OIL	1							



Fig.12. COOLING WATER SYSTEM

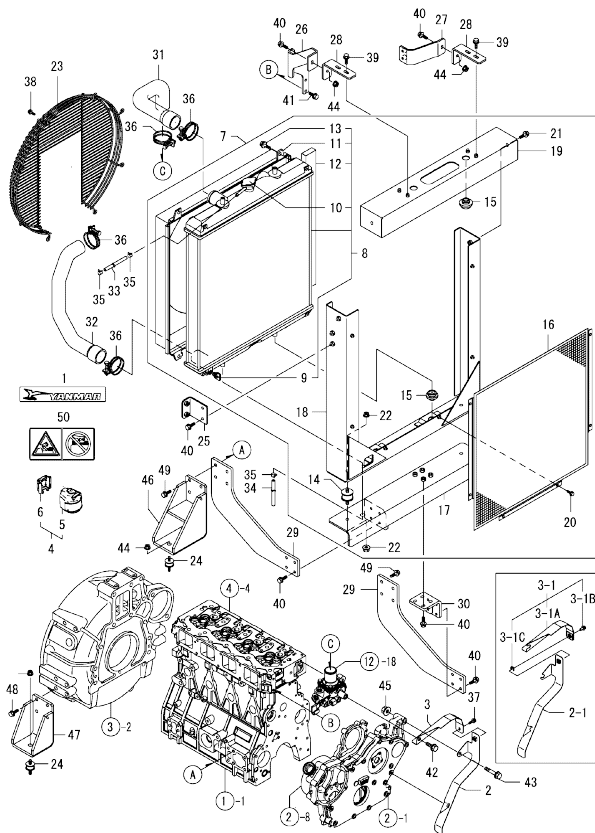


No.	Lev.	Parts No.	Description	Q'ty						I	R
				(A)	(B)	(C)	(D)	(E)	(F)		
1	1	129907-42000	PUMP ASSY, WATER	1							
11	1	129900-42020	GASKET, WATER PUMP	1							
12	1	26106-060302	BOLT, M6X 30 PLATED	2							
13	1	26106-080552	BOLT, M8X 55 PLATED	5							
14	1	129900-42450	V-PULLEY, C.W.PUMP	1							
15	1	25132-004150	V-BELT, A41.5	1							
16	1	129920-44740	FAN, COOLING	1							
17	1	119141-44760	SPACER, FAN	1							
18	1	129907-49800	CASE ASSY, THERMOSTAT	1							
19	2	129916-49530	COVER, THERMOSTAT	1							
20	2	121850-49540	GASKET, THERMOSTAT	1							
21	2	121850-49550	GASKET, THERMOSTAT	1							
22	2	129907-49730	RETAINER, PIPE	1							
23	2	121850-49810	THERMOSTAT, 71C	1							
27	2	23875-030000	PLUG, R03	2							
28	2	26106-060122	BOLT, M6X 12 PLATED	1							
29	2	26106-060202	BOLT, M6X 20 PLATED	4							
30	1	26106-080552	BOLT, M8X 55 PLATED	4							
31	1	129900-49870	GASKET, THERMOSTAT	1							
32	1	23414-080000	GASKET, 8X1.0	1							
33	1	26106-080122	BOLT, M8X 12 PLATED	1							
34	1	26106-080602	BOLT, M8X 60 PLATED	3							
35	1	121450-42450	PLUG, M16	1							
36	1	121250-44901	SWITCH, THERMO 110	1							
37	1	124465-44950	GASKET, 16	1							
38	1	124465-44950	GASKET, 16	1							
39	1	129907-49610	HOSE ASSY, WATER	1							
40	2	129907-49710	HOSE, WATER	1							
41	2	129907-49750	TUBE, CORRUGATED	1							
42	2	124722-59050	CLAMP, HOSE 9	2							
43	1	129907-49620	HOSE ASSY, WATER	1							
44	2	129907-49720	HOSE, WATER	1							
45	2	124722-59050	CLAMP, HOSE 9	2							

Fig.13. RADIATOR

(A)=4TNV98T-NSAP  
(B)=  
(C)=

(D)=  
(E)=  
(F)=



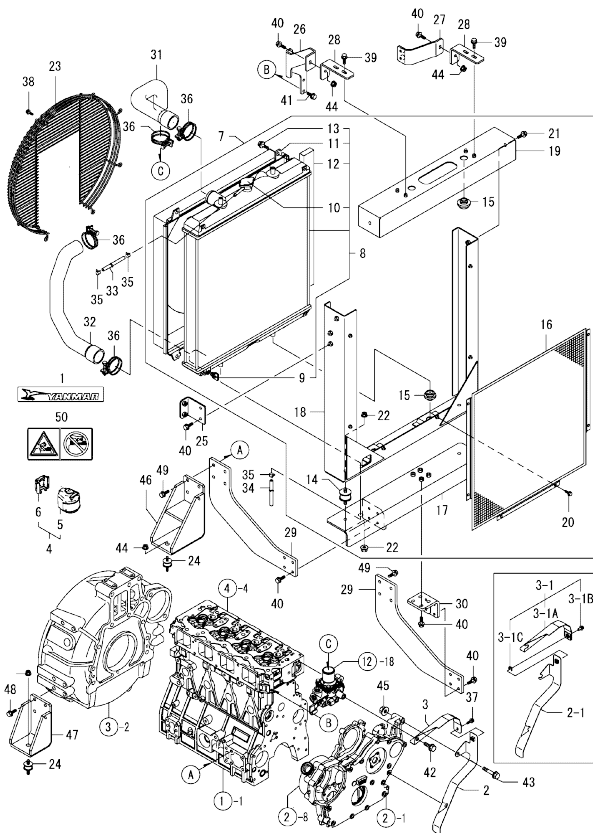
No.	Lev.	Parts No.	Description	(A)	(B)	(C)	(D)	(E)	(F)	I	R
1	1	129247-07000	LABEL, YANMAR	1							
2	1	129946-42800	COVER	1							
2-1	1	129946-42801	COVER, BELT	1							S
(A=EXXXXX)											
3	1	129946-42810	COVER	1							
3-1	1	129946-42820	COVER B CMP.V-BELT	1							N
(A=EXXXXX)											
3-1A	2	129946-42811	COVER B, V-BELT	1							W
(A=EXXXXX)											
3-1B	2	119746-42820	SCREW, V-BELT COVER	1							W
(A=EXXXXX)											
3-1C	2	22276-000060	RING, E- 6	1							W
(A=EXXXXX)											
4	1	720445-44200	TANK ASSY, SUB	1							
5	2	120445-44530	TANK, SUB	1							
6	2	120445-44540	SUPPORT	1							
7	1	129946-44500	RADIATOR ASSY	1							
8	2	129940-44500	RADIATOR ASSY	1							
9	3	129508-44550	COCK ASSY	1							
10	3	129107-44590	CAP, RADIATOR	1							
11	3	129907-44600	SHROUD	1							
12	3	129907-44610	GASKET	2							
13	3	26014-060122	BOLT, M6X 12	4							
14	2	121400-44650	ABSORBER	2							
15	2	119255-44660	ABSORBER	4							
16	2	129946-44800	SCREEN	1							
17	2	129946-44960	BRACKET, RADIATOR	1							
18	2	129946-44970	BRACKET, RADIATOR	1							
19	2	129946-44980	BRACKET, RADIATOR	1							
20	2	26106-060162	BOLT, M6X 16 PLATED	6							
21	2	26106-080162	BOLT, M8X 16 PLATED	2							
22	2	26366-100002	NUT, M10	4							
23	1	129907-44560	GUARD, FAN	1							
24	1	121400-44640	ABSORBER	2							
25	1	129946-44900	BRACKET, SUB TANK	1							
26	1	129946-44920	STAY, MUFFLER A	1							
27	1	129937-44930	STAY, MUFFLER B	1							
28	1	129946-44940	STAY, MUFFLER C	2							
29	1	129946-44950	BRACKET, RADIATOR	2							
30	1	129946-44990	BRACKET, RADIATOR	1							
31	1	129981-49050	HOSE, WATER	1							
32	1	129981-49060	PIPE, WATER	1							
33	1	119853-49150	PIPE, WATER DRAIN	1							
34	1	121520-49160	PIPE, WATER DRAIN	1							
35	1	124766-59050	CLAMP, HOSE 11.5	3							
36	1	23000-060000	CLAMP, 60	4							
37	1	26106-060102	BOLT, M6X 10 PLATED	1							Z
(A=EXXXXX)											
38	1	26106-060162	BOLT, M6X 16 PLATED	8							
39	1	26106-080162	BOLT, M8X 16 PLATED	4							
40	1	26106-080202	BOLT, M8X 20 PLATED	16							

Remarks  
\* THIS FIGURE(RADIATOR ASSY)IS  
OPTIONAL PART.

Fig.13. RADIATOR

(A)=4TNV98T-NSAP  
(B)=  
(C)=

(D)=  
(E)=  
(F)=



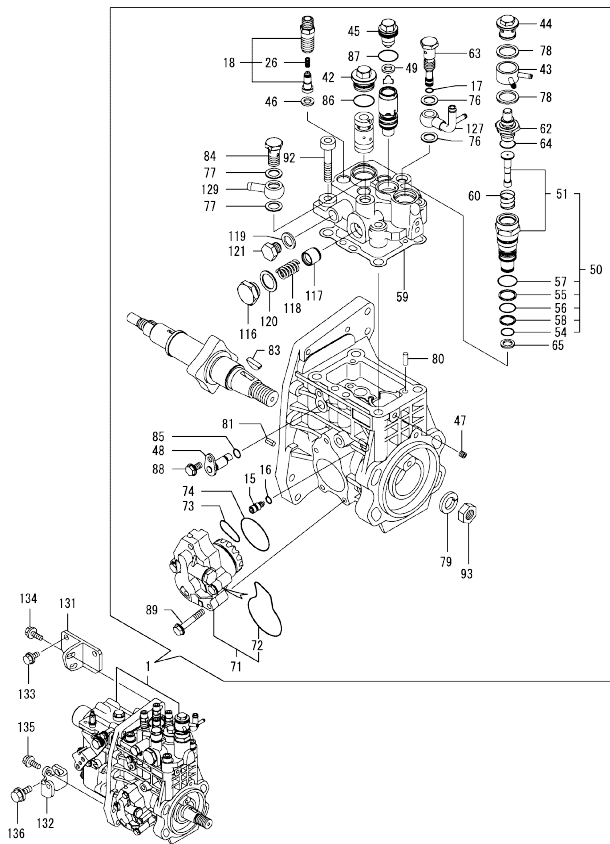
No.	Lev.	Parts No.	Description	Q'ty						I	R
				(A)	(B)	(C)	(D)	(E)	(F)		
41	1	26106-080252	BOLT, M8X 25 PLATED	4							
42	1	26106-100202	BOLT, M10X 20 PLATED	1							
43	1	26106-100552	BOLT, M10X 55 PLATED	1							
44	1	26366-080002	NUT, M8	4							
45	1	26366-100002	NUT, M10	1							
46	1	129981-08030	FOOT	2							
47	1	129981-08040	FOOT	2							
48	1	26106-100252	BOLT, M10X 25 PLATED	8							
49	1	26106-100352	BOLT, M10X 35 PLATED	8							
50	1	129946-07000	LABEL, NO OPEN	1							W

(A=EXXXXX)

Remarks  
\* THIS FIGURE(RADIATOR ASSY)IS  
OPTIONAL PART.

N:Old  $\frac{100}{100}$  New, Q:Old  $\frac{100}{100}$  New, R:Old  $\frac{100}{100}$  New, S:Old  $\frac{100}{100}$  New, W:Add, Z:Discontinued, F:Interchangeable by set, K:Q'ty Change  
Copyright (C) YANMAR GLOBAL CS CO., LTD. All Rights Reserved.

Fig.14. FUEL INJECTION PUMP



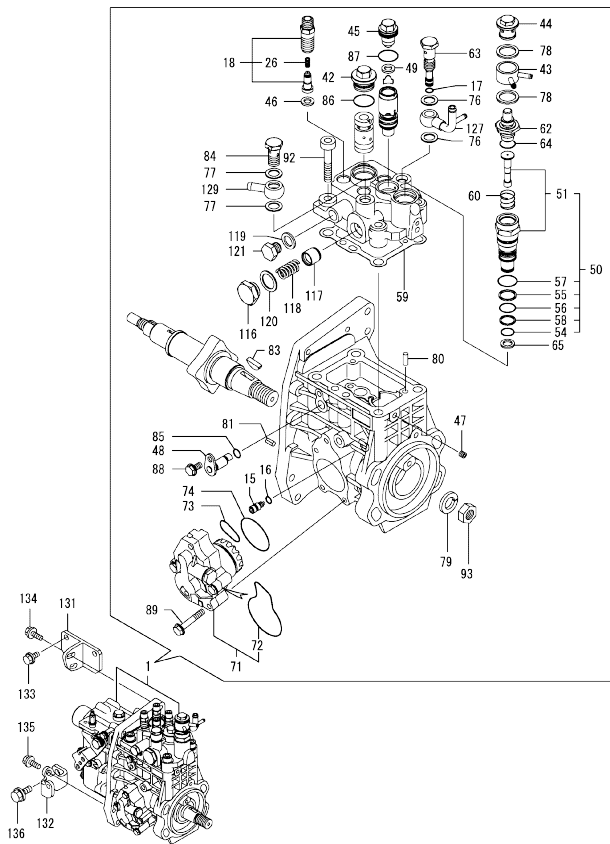
(A)=4TNV98T-NSAP  
(B)=  
(C)=

(D)=  
(E)=  
(F)=

No.	Lev.	Parts No.	Description	Q'ty						I	R
				(A)	(B)	(C)	(D)	(E)	(F)		
1	1	729908-51310	FIE ASSY	1							1
15	2	158600-51270	STOPPER, TAPPET	1							
16	2	158563-51281	O-RING, 4D S6	1							
17	2	158563-51281	O-RING, 4D S6	1							
18	2	129509-51390	VALVE ASSY, DELIVERY	4							W
(A=2008.02.)											
26	3	158563-51330	SPRING, DELIVERY	4							
42	2	158601-51550	PLUG, M22	1							
43	2	158553-51551	JOINT, COOLING WATER	1							
44	2	158601-51570	PLUG	1							
45	2	129907-51560	PLUG, M16	1							
46	2	158552-51570	GASKET, PLUG	4							
47	2	158557-51570	PLUG, RACK	1							
48	2	158552-51580	LIFTER, LINK	1							
49	2	129906-51580	GASKET, PLUG	1							
50	2	119802-51590	TIMER ASSY	1							
51	3	119802-51600	TIMER ASSY	1							
54	3	158553-51670	O-RING	1							
55	3	119802-51680	RING, BACKUP	1							
56	3	119802-51690	O-RING	1							
57	3	24356-010200	O-RING, 4D1020	1							
58	3	24372-000150	RING, BACK UP T2P15	1							
59	2	158560-51600	GASKET	1							
60	2	158553-51630	SPRING, TIMER	1							
62	2	158553-51640	THERMOELEMENT	1							
63	2	158601-51650	JOINT, OVER FLOW	1							
64	2	158553-51660	O-RING, P14	1							
65	2	158553-51680	GASKET, TIMER	1							
71	2	158552-52100	PUMP ASSY, FUEL FEED	1							
72	3	158552-52500	O-RING	1							
73	2	158552-52310	O-RING	1							
74	2	158552-52400	O-RING, 4E S42	1							
76	2	22190-120002	WASHER, SEAL 12	2							
77	2	22190-120002	WASHER, SEAL 12	2							
78	2	22190-180002	WASHER, SEAL 18	2							
79	2	22217-180000	WASHER, SPRING 18	1							
80	2	22312-050140	PIN, PARALLEL M5X14	2							
81	2	22351-050010	PIN, SPRING 5.0X10	2							
83	2	144626-51090	FEATHER KEY, 5X19	1							
84	2	23857-060000	BOLT, JOINT 6	1							
85	2	24311-000070	O-RING, 1AP7.0	1							
86	2	24356-010200	O-RING, 4D1020	1							
87	2	24356-020210	O-RING, 4D2021	1							
88	2	26106-060102	BOLT, M6X 10 PLATED	1							
89	2	26106-060352	BOLT, M6X 35 PLATED	4							
92	2	26450-100452	BOLT, M10X 45	4							
93	2	26776-180002	NUT, LOCK M18	1							
116	2	158601-51790	PLUG	1							
117	2	158601-51770	PISTON, ACCUMULATOR	1							
118	2	158552-51780	SPRING, ACCUMULATOR	1							
119	2	22190-120002	WASHER, SEAL 12	1							

Remarks  
(1) GOVERNOR ASSY(FIG.15) IS  
INCORPORATED IN THIS FOP.CMP  
(REF.NO.1).

Fig.14. FUEL INJECTION PUMP



(A)=4TNV98T-NSAP  
(B)=  
(C)=

(D)=  
(E)=  
(F)=

No.	Lev.	Parts No.	Description	Q'ty						I	R
				(A)	(B)	(C)	(D)	(E)	(F)		
120	2	22190-180002	WASHER, SEAL 18	1							
121	2	23887-120002	PLUG, 12	1							
127	2	158552-51670	JOINT, OVER FLOW	1							
129	2	129916-59020	JOINT, PIPE 12	1							
131	1	129907-01950	RETAINER, PUMP	1							
132	1	129907-01960	RETAINER, PUMP	1							
133	1	26106-080162	BOLT, M8X 16 PLATED	2							
134	1	26106-080222	BOLT, M8X 22 PLATED	2							
135	1	26106-080222	BOLT, M8X 22 PLATED	1							
136	1	26106-100202	BOLT, M10X 20 PLATED	1							

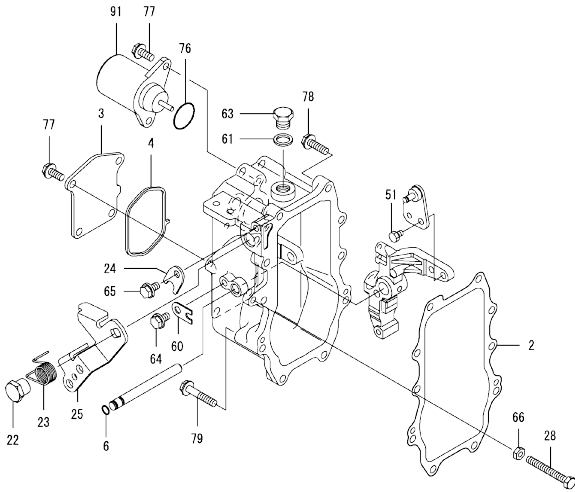
Remarks  
(1) GOVERNOR ASSY(FIG.15) IS  
INCORPORATED IN THIS FOP.CMP  
(REF.NO.1).

Fig.15. GOVERNOR

(A)=4TNV98T-NSAP  
(B)=  
(C)=

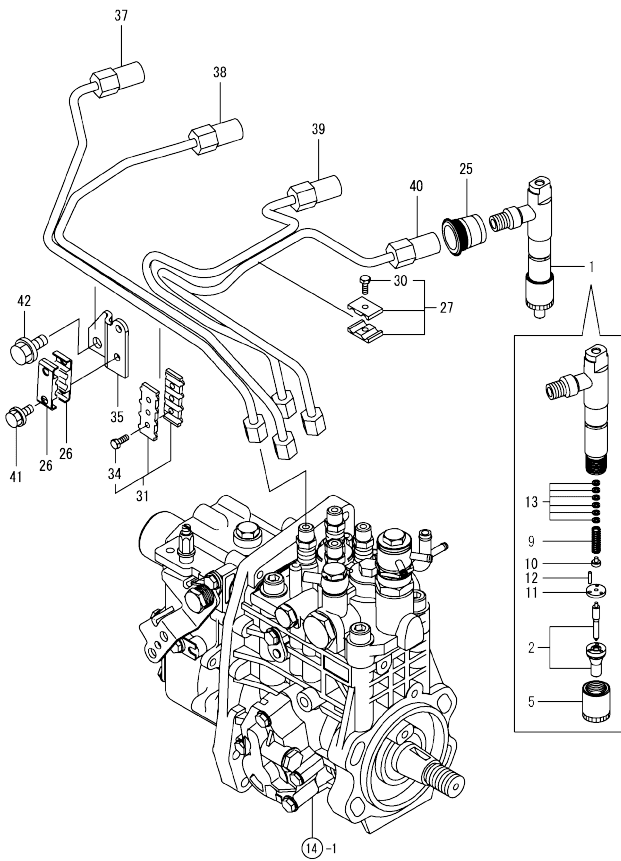
(D)=  
(E)=  
(F)=

No.	Lev.	Parts No.	Description	Q'ty						I	R
				(A)	(B)	(C)	(D)	(E)	(F)		
2	2	158560-61050	GASKET	1							
3	2	158560-61061	COVER, GOVERNOR CASE	1							
4	2	158560-61071	GASKET	1							
6	2	129155-51280	O-RING, S6	1							
22	2	129255-61410	NUT, M8	1							
23	2	119807-61420	SPRING, RETURN	1							
24	2	158560-61430	STOPPER, SHAFT	1							
25	2	158560-61442	LEVER, REGULATOR	1							
28	2	129155-61460	BOLT, LIMITING	1							
51	2	26116-060102	BOLT, M6X 10 PLATED	1							
60	2	119660-61901	STOPPER, SHAFT	1							
61	2	22190-160002	WASHER, SEAL 16	1							
63	2	23887-160002	PLUG, 16	1							
64	2	26106-060102	BOLT, M6X 10 PLATED	1							
65	2	26106-060102	BOLT, M6X 10 PLATED	1							
66	2	26756-060002	NUT, LOCK M6	1							
76	2	158552-61900	O-RING	1							
77	2	26106-060142	BOLT, M6X 14 PLATED	6							
78	2	26106-060252	BOLT, M6X 25 PLATED	8							
79	2	26106-060402	BOLT, M6X 40 PLATED	2							
91	2	119653-77950	SOLENOID, STOP	1							



Remarks  
\* THIS FIGURE(GOVERNOR ASSY)IS  
INCORPORATED IN THE FUEL INJECTION  
PUMP ASSY(FIG.14).

Fig.16. FUEL INJECTION VALVE

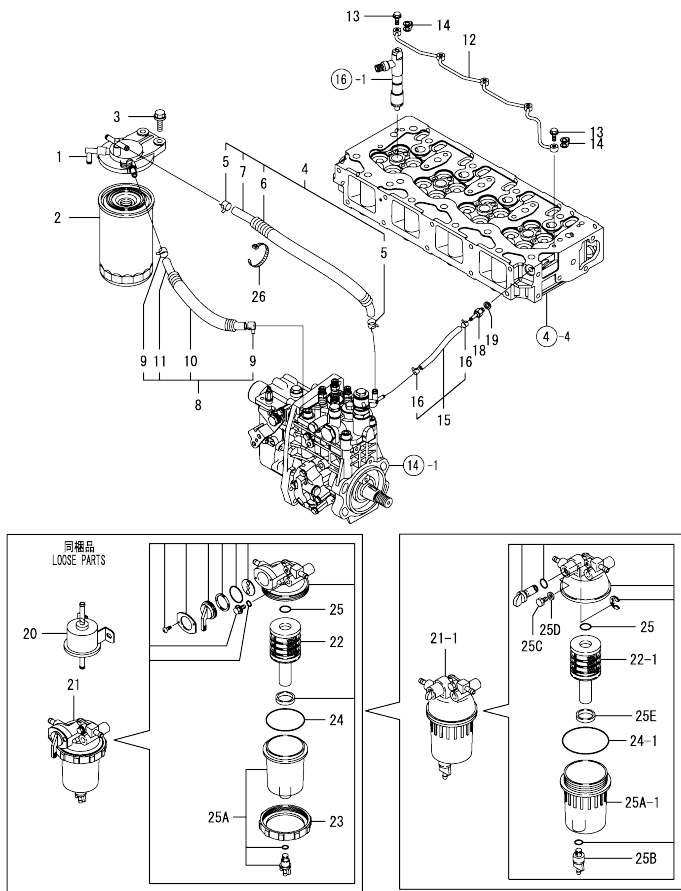


No.	Lev.	Parts No.	Description	Q'ty					
				(A)	(B)	(C)	(D)	(E)	(F)
1	1	729908-53100	FUEL INJECTOR ASSY	4					
2	2	129908-53000	NOZZLE ASSY, F.I.	4					
5	2	114250-53080	NUT, NOZZLE	4					
9	2	114250-53120	SPRING, NOZZLE	4					
10	2	114250-53130	SEAT, SPRING	4					
11	2	114250-53140	SPACER	4					
12	2	114250-53210	PIN	8					
13	2	114250-53400	SHIM SET	4					
25	1	123907-11601	SEAL, PIPE	4					
26	1	122780-59100	RETAINER	2					
27	1	119305-59120	RETAINER, PIPE	1					
30	2	129150-59131	BOLT, M4X14	1					
31	1	129550-59120	RETAINER, PIPE	1					
34	2	129150-59131	BOLT, M4X14	2					
35	1	129907-59710	SUPPORT	1					
37	1	129908-59810	PIPE ASSY, INJECTION	1					
38	1	129908-59820	PIPE ASSY, INJECTION	1					
39	1	129908-59830	PIPE ASSY, INJECTION	1					
40	1	129908-59840	PIPE ASSY, INJECTION	1					
41	1	26106-060162	BOLT, M6X 16 PLATED	2					
42	1	26106-080182	BOLT, M8X 18 PLATED	1					

Fig.17. FUEL LINE

(A)=4TNV98T-NSAP  
(B)=  
(C)=

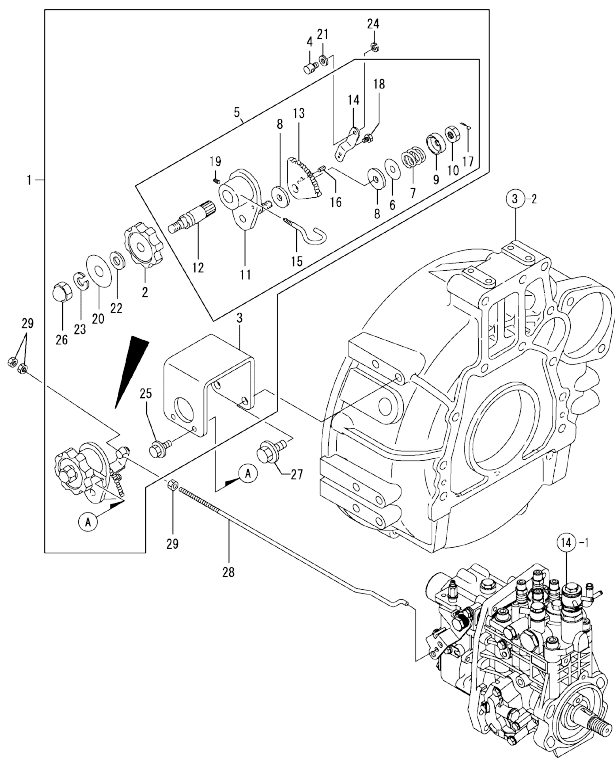
(D)=  
(E)=  
(F)=



No.	Lev.	Parts No.	Description	Q'ty						I	R
				(A)	(B)	(C)	(D)	(E)	(F)		
1	1	129004-55612	BRACKET, FILTER	1							
2	1	123907-55810	FILTER, FUEL	1							
3	1	26106-080302	BOLT, M8X 30 PLATED	2							
4	1	129457-59010	HOSE ASSY, FUEL	1							
5	2	124766-59050	CLAMP, HOSE 11.5	2							
6	2	129957-59120	TUBE, CORRUGATED 15	1							
7	2	105025-59750	HOSE, FUEL	1							
8	1	129981-59010	HOSE ASSY, FUEL	1							
9	2	124766-59050	CLAMP, HOSE 11.5	2							
10	2	129950-59221	TUBE, CORRUGATED 15	1							
11	2	129980-59510	HOSE, FUEL	1							
12	1	129907-59140	PIPE ASSY, RETURN	1							
13	1	123907-59540	BOLT, PIPE JOINT M6	5							
14	1	123907-59550	GASKET	5							
15	1	129486-59551	HOSE ASSY, RETURN	1							
16	2	124722-59050	CLAMP, HOSE 9	2							
18	1	123907-59560	JOINT, HOSE	1							
19	1	22190-080002	WASHER, SEAL 6	1							
20	1	119225-52102	PUMP, FUEL FEED	1							
21	1	119802-55700	SEPARATOR ASSY,WATER	1							
21-1	1	129242-55700	SEPARATOR ASSY,WATER	1							N
(A=2008.08.)											
22	2	119802-55710	ELEMENT	1							
22-1	2	129242-55730	ELEMENT, FUEL	1							S
(A=2008.08.)											
23	2	129100-55690	RING, CUP RETAINING	1							Z
(A=2008.08.)											
24	2	24321-000650	O-RING, 1AG65.0	1							
24-1	2	24321-000750	O-RING, 1AG75.0	1							S
(A=2008.08.)											
25	2	24311-000160	O-RING, 1AP16.0	1							
25A	2	119802-55730	CUP ASSY, SEPARATOR	1							W
(A=FROM 1ST)											
25A-1	2	129242-55720	CUP, SEPARATOR	1							S
(A=2008.08.)											
25B	2	129242-55740	PLUG, DRAIN	1							W
(A=2008.08.)											
25C	2	129242-55750	VALVE, AIR VENT	1							W
(A=2008.08.)											
25D	2	129242-55760	GASKET, PLUG	1							W
(A=2008.08.)											
25E	2	129242-55770	FLOAT	1							W
(A=2008.08.)											
26	1	121750-59890	BAND, NYLON	1							



Fig.18. ENGINE CONTROL DEVICE



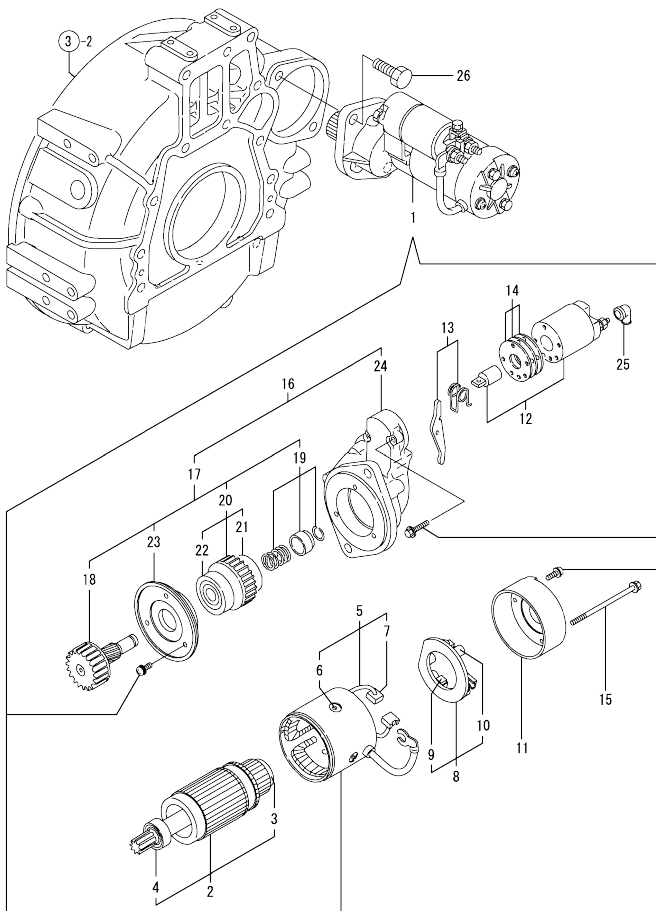
(A)=4TNV98T-NSAP  
(B)=  
(C)=

(D)=  
(E)=  
(F)=

No.	Lev.	Parts No.	Description	Qty						I	R
				(A)	(B)	(C)	(D)	(E)	(F)		
1	1	129915-66160	CONTROLLER ASSY	1							
2	2	126650-66020	HANDLE, REGULATOR	1							
3	2	170064-67100	BRACKET	1							
4	2	119888-66130	PIVOT	1							
5	2	171048-67010	CONTROLLER ASSY	1							
6	3	171102-66080	WASHER	1							
7	3	104200-66820	SPRING	1							
8	3	104200-66831	PLATE, FRICTION	2							
9	3	104200-66850	WASHER	1							
10	3	104200-66860	NUT	1							
11	3	171085-67100	BRACKET	1							
12	3	171085-67110	SHAFT, DRIVE	1							
13	3	171085-67120	GEAR	1							
14	3	171048-67130	LEVER	1							
15	3	171048-67140	STOPPER	1							
16	3	22351-020006	PIN, SPRING 2.0X 6	1							
17	3	22411-200150	COTTER PIN	1							
18	3	26116-060082	BOLT, M6X 8 PLATED	1							
19	3	26921-050122	SCREW, M5X12	1							
20	2	170064-67210	LABEL, HANDLE	1							
21	2	22117-060000	WASHER, 6	1							
22	2	22137-100000	WASHER, 10	1							
23	2	22217-100000	WASHER, SPRING 10	1							
24	2	22272-000050	RING, E- 5	1							
25	2	26106-060102	BOLT, M6X 10 PLATED	2							
26	2	26657-100002	NUT, CAP M10	1							
27	1	26106-100202	BOLT, M10X 20 PLATED	2							
28	1	129946-66120	LINK, ENGINE CONTROL	1							
29	1	26756-050002	NUT, LOCK M5	3							

Remarks  
\* THIS FIGURE(ENGINE CONTROL DEVICE)  
ASSY)IS OPTIONAL PART.

Fig.19. STARTING MOTOR

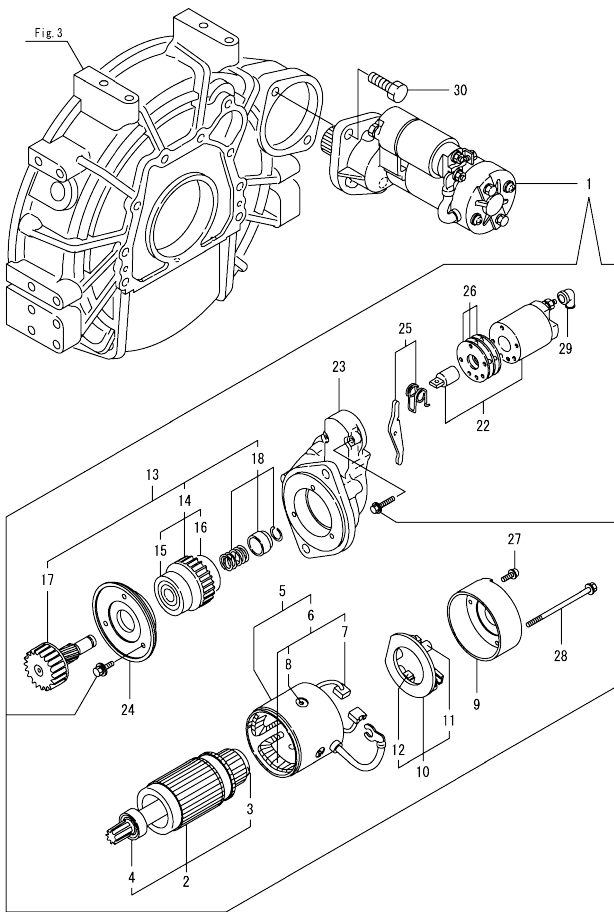


(A)=4TNV98T-NSAP  
(B)=  
(C)=

(D)=  
(E)=  
(F)=

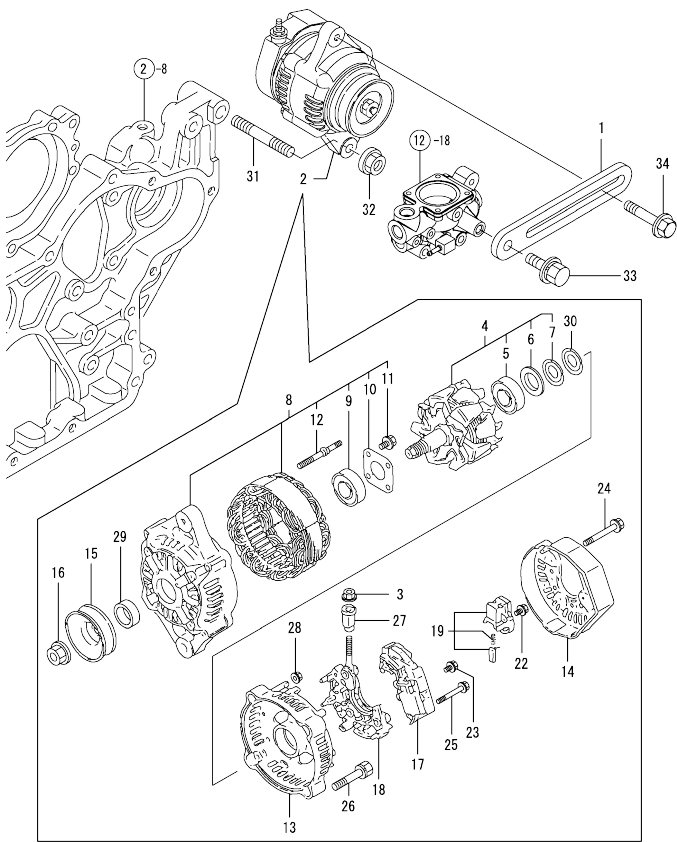
No.	Lev.	Parts No.	Description	Q'ty						I	R
				(A)	(B)	(C)	(D)	(E)	(F)		
1	1	129900-77010	STARTER ASSY	1							
2	2	129900-77400	ARMATURE ASSY	1							
3	3	X2114155110	BEARING, BALL	1							
4	3	X2114255110	BEARING, BALL	1							
5	2	129900-77440	COIL ASSY, FIELD	1							
6	3	171008-77450	SCREW, CORE SET	4							
7	3	129900-77450	BRUSH	2							
8	2	129900-77480	HOLDER ASSY, BRUSH	1							
9	3	129900-77450	BRUSH	2							
10	3	X2130631300	SPRING, BRUSH	4							
11	2	129900-77460	COVER	1							
12	2	129900-77591	SWITCH ASSY, MAGNET	1							
13	2	129900-77620	LEVER SET	1							
14	2	129900-77650	COVER KIT, DUST	1							
15	2	129900-77640	BOLT, THROUGH	2							
16	2	129900-77700	CASE ASSY, GEAR	1							
17	3	129900-77510	PINION ASSY, W/CLUTCH	1							
18	4	129900-77540	SHAFT, PINION	1							
19	4	129900-77550	STOPPER SET, PINION	1							
20	4	129900-77520	CLUTCH ASSY	1							
21	4	171008-77730	BEARING, BALL	1							
22	4	171008-77740	BEARING, BALL	1							
23	4	129900-77610	RETAINER, BEARING	1							
24	3	129900-77710	CASE, GEAR	1							
25	2	171008-77750	COVER, TERMINAL	1							
26	1	26116-120302	BOLT, M12X 30 PLATED	2							

Fig.23. (19A)STARTING MOTOR



No.	Lev.	Parts No.	Description	Q'ty						I	R
				(A)	(B)	(C)	(D)	(E)	(F)		
1	1	129900-77040	STARTER ASSY	1							
2	2	129900-77120	ARMATURE ASSY	1							
3	3	171008-77410	BEARING, BALL	1							
4	3	171008-77420	BEARING, BALL	1							
5	2	129900-77130	YOKE ASSY	1							
6	3	129900-77140	COIL ASSY, FIELD	1							
7	4	129900-77450	BRUSH	2							
8	4	171008-77450	SCREW, CORE SET	4							
9	2	129900-77150	COVER	1							
10	2	129900-77160	HOLDER ASSY, BRUSH	1							
11	3	X2130631300	SPRING, BRUSH	4							
12	3	129900-77450	BRUSH	2							
13	2	129900-77170	CLUTCH ASSY	1							
14	3	129900-77180	CLUTCH ASSY	1							
15	4	129900-77190	BEARING, BALL	1							
16	4	X2114955020	BEARING, BALL	1							
17	3	129900-77270	SHAFT, PINION	1							
18	3	171008-77670	STOPPER SET, PINION	1							
22	2	129900-77280	SWITCH ASSY, MAGNET	1							
23	2	129900-77290	CASE, GEAR	1							
24	2	129900-77380	RETAINER, BEARING	1							
25	2	129900-77390	LEVER ASSY, SHIFT	1							
26	2	129900-77420	COVER KIT, DUST	1							
27	2	129900-77430	SCREW, M4X10	2							
28	2	129685-77640	BOLT, THROUGH	2							
29	2	171008-77750	COVER, TERMINAL	1							
30	1	26116-120302	BOLT, M12X 30 PLATED	2							

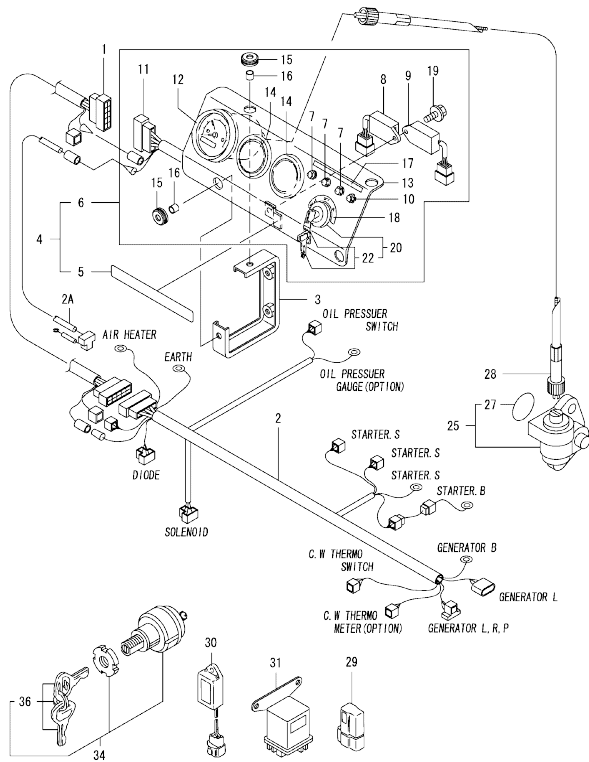
Fig.20. GENERATOR



No.	Lev.	Parts No.	Description	Q'ty						I	R
				(A)	(B)	(C)	(D)	(E)	(F)		
1	1	129900-77330	ADJUSTER, BELT	1							
2	1	129423-77200	GENERATOR ASSY, 40A	1							
3	2	X9490561001	NUT	1							
4	2	119620-77380	ROTOR ASSY	1							
5	3	123501-79240	BEARING, BALL	1							
6	3	119620-79250	COVER, BEARING	1							
7	3	119620-79360	WASHER, THRUST	1							
8	2	119620-77421	FRAME ASSY, GENERATOR	1							
9	3	119620-79200	BEARING, BALL	1							
10	3	119620-79210	RETAINER	1							
11	3	119620-79220	SCREW	4							
12	3	119620-79230	BOLT, STUD	2							
13	2	119620-77440	FRAME ASSY	1							
14	2	129240-79300	COVER	1							
15	2	119620-77461	PULLEY, GENERATOR	1							
16	2	119620-77471	NUT	1							
17	2	129423-77710	REGULATOR ASSY	1							
18	2	119620-79260	HOLDER	1							
19	2	129052-79270	HOLDER, BRUSH	1							
22	2	119620-79290	SCREW	1							
23	2	119620-79300	SCREW	1							
24	2	119620-79310	BOLT	3							
25	2	119620-79320	SCREW	2							
26	2	119620-79330	BOLT	2							
27	2	119620-79340	BUSH, INSULATION	1							
28	2	119620-79350	NUT	2							
29	2	119620-77490	COLLAR	1							
30	2	119620-79360	WASHER, THRUST	1							
31	1	129795-01900	BOLT, STUD M10X33	1							
32	1	26306-100002	NUT, M10	1							
33	1	26014-080252	BOLT, M8X 25	1							
34	1	119810-77340	BOLT, ADJUST L=30	1							

N:Old  $\frac{100}{100}$  New, Q:Old  $\frac{100}{100}$  New, R:Old  $\frac{100}{100}$  New, S:Old  $\frac{100}{100}$  New, W:Add, Z:Discontinued, F:Interchangeable by set, K:Qty Change  
 Copyright (C) YANMAR GLOBAL CS CO., LTD. All Rights Reserved.

Fig.21. ELECTRIC PARTS



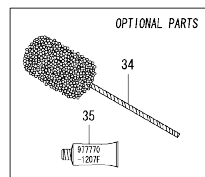
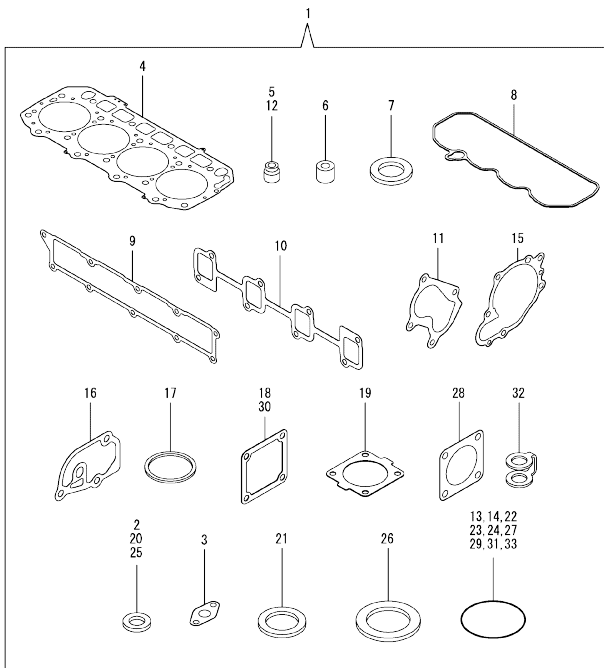
(A)=4TNV98T-NSAP  
(B)=  
(C)=

(D)=  
(E)=  
(F)=

No.	Lev.	Parts No.	Description	Q'ty						I	R
				(A)	(B)	(C)	(D)	(E)	(F)		
1	1	119946-91010	CORD, EXTENSION	1							
2	1	119888-91026	HARNESS, WIRE	1							
2-1	1	119888-91027	HARNESS, WIRE	1							N
2A	1	119946-91020	CORD, EXTENSION	1							W
(A=2008.10.) (A=EZZZZZ)											
3	1	119888-91120	SUPPORT	2							
4	1	119888-91102	PANEL ASSY	1							
5	2	104507-07190	LABEL, YANMAR	1							
6	2	170121-91101	PANEL ASSY	1							
7	3	124732-77720	LAMP, CHARGING	3							
8	3	128300-77920	TIMER	1							
9	3	129211-77920	TIMER	1							
10	3	124559-77971	LAMP, PILOT	1							
11	3	119888-91032	HARNESS, WIRE	1							
12	3	171080-91101	TACHOMETER	1							
13	3	119888-91110	BODY, PANEL	1							
14	3	124770-91220	COVER	2							
15	3	121400-91520	ABSORBER	4							
16	3	121400-91530	SPACER	4							
17	3	119888-91610	LABEL, CW & OIL LAMP	1							
18	3	119888-91620	LABEL, KEY SWITCH	1							
19	3	26106-060102	BOLT, M6X 10 PLATED	1							
20	3	933110-00100	SWITCH ASSY, STARTER	1							
22	4	933110-00301	KEY ASSY	2							
25	1	129150-91400	GEAR	1							
27	2	24341-000240	O-RING, 1AS24.0	1							
28	1	124737-91420	CABLE, TACHOMETER	1							
29	1	119643-66900	DIODE	1							
30	1	129211-77920	TIMER	1							
31	1	119650-77910	RELAY ASSY, GLOW	1							
34	1	933110-00100	SWITCH ASSY, STARTER	1							
36	2	933110-00301	KEY ASSY	1							

Remarks  
\* THIS FIGURE(ELECTRIC PARTS ASSY)IS  
OPTIONAL PART.

Fig.22. GASKET SET



No.	Lev.	Parts No.	Description	Q'ty						I	R
				(A)	(B)	(C)	(D)	(E)	(F)		
1	1	729908-92610	GASKET SET	1							1
2	2	23414-100000	GASKET, 10X1.0	2							
3	2	129908-39690	GASKET	1							
4	2	129907-01331	GASKET, HEAD	1							
5	2	124160-11340	SEAL, VALVE STEM	8							
6	2	119802-11870	PROTECTOR, NOZZLE	4							
7	2	119625-11880	SEAT, NOZZLE	4							
8	2	129933-11310	GASKET, BONNET	1							
9	2	129907-12110	GASKET, MANIFOLD	1							
10	2	129900-13251	GASKET, EXH.MANIFOLD	1							
11	2	123901-18080	GASKET	1							
12	2	124950-11340	SEAL, VALVE STEM	8							
13	2	129900-32030	O-RING, P20	2							
14	2	129900-32040	O-RING, P14	1							
15	2	129900-42020	GASKET, WATER PUMP	1							
16	2	129900-49870	GASKET, THERMOSTAT	1							
17	2	121850-49550	GASKET, THERMOSTAT	1							
18	2	121850-77021	GASKET, AIR HEATER	1							
19	2	121850-49540	GASKET, THERMOSTAT	1							
20	2	23414-080000	GASKET, 8X1.0	1							
21	2	124465-44950	GASKET, 16	2							
22	2	24311-000070	O-RING, 1AP7.0	1							
23	2	24311-000120	O-RING, 1AP12.0	8							
24	2	24311-000320	O-RING, 1AP32.0	2							
25	2	22190-080002	WASHER, SEAL 6	11							
26	2	22190-220002	WASHER, SEAL 22	1							
27	2	24351-030750	O-RING, 1A3075	1							
28	2	129472-18090	GASKET	1							
29	2	24321-000850	O-RING, 1AG85.0	1							
30	2	119129-77020	GASKET	1							
31	2	24321-000600	O-RING, 1AG60.0	1							
32	2	123907-59550	GASKET	5							
33	2	24341-000240	O-RING, 1AS24.0	1							
34	1	129400-92450	HONE, FLEX	1							1
35	1	977770-1207F	GASKET, LIQUID	1							1

Remarks  
(1) OPTIONAL PART.

## Parts No. Index

Parts No.	Fig. No.	Ref. No.
104200-66820	18	7
104200-66831	18	8
104200-66850	18	9
104200-66860	18	10
104507-07190	21	5
105010-39140	11	10 -1
		24
105025-59750	17	7
106500-44810	11	41
114220-07130	6	25
114250-39450	11	6
114250-53080	16	5
114250-53120	16	9
114250-53130	16	10
114250-53140	16	11
114250-53210	16	12
114250-53400	16	13
119000-39650	11	37
119005-77050	5	7
119006-03090	4	75
119100-11330	4	58
119129-77020	5	5
	22	30
119131-18320	8	4
119141-44760	12	17
119160-12530	5	17
119160-12540	5	18
119225-52102	17	20
119255-44660	13	15
119305-59120	16	27
119593-11301	4	28
119620-01750	3	4
119620-11180	4	18
119620-77380	20	4
119620-77421	20	8
119620-77440	20	13
119620-77461	20	15
119620-77471	20	16
119620-77490	20	29
119620-79200	20	9
119620-79210	20	10
119620-79220	20	11
119620-79230	20	12
119620-79250	20	6
119620-79260	20	18
119620-79290	20	22
119620-79300	20	23
119620-79310	20	24
119620-79320	20	25
119620-79330	20	26

Parts No.	Fig. No.	Ref. No.
119620-79340	20	27
119620-79350	20	28
119620-79360	20	7
		30
119625-11880	4	61
	22	7
	3	9
119640-01640	21	29
119643-66900	21	31
119650-77910	15	91
119653-77950	15	60
119660-61901	13	3 -1B
119746-42820	4	60
119802-11870	22	6
	14	50
119802-51590	14	51
119802-51600	14	55
119802-51680	14	56
119802-51690	17	21
119802-55700	17	22
119802-55710	17	25 A
119802-55730	15	23
119807-61420	20	34
119810-77340	13	33
119853-49150	18	4
119888-66130	21	2
119888-91026	21	2 -1
119888-91027	21	11
119888-91032	21	4
119888-91102	21	13
119888-91110	21	3
119888-91120	21	17
119888-91610	21	18
119888-91620	21	1
119946-91010	21	2 A
119946-91020	9	22
120130-22301	13	5
120445-44530	13	6
120445-44540	2	32
121023-01551	2	26
121023-26070	12	36
121250-44901	11	7
121252-39150	13	24
121400-44640	13	14
121400-44650	21	15
121400-91520	21	16
121400-91530	12	35
121450-42450	10	14
121520-34810	13	34
121520-49160	10	11
121750-59890		

Parts No.	Fig. No.	Ref. No.
121750-59890	17	26
121820-12590	5	19
121850-21130	9	11
121850-21290	9	5
121850-21680	9	10
121850-21920	9	6
121850-49540	12	20
	22	19
121850-49550	12	21
	22	17
	12	23
121850-49810	5	6
121850-77021	22	18
	6	13
121855-13821	6	14
121855-13830	16	26
122780-59100	6	15
123500-13840	20	5
123501-79240	6	3
123900-13630	7	10
123900-25060	4	68
123901-03240	4	79
123901-03280	6	5
123901-18080		
	22	11
	11	40
123901-39820	4	33
123907-11280	4	3
123907-11550	16	25
123907-11601	4	12
123907-11820	4	24
123907-11830	11	16
123907-39500	17	2
123907-55810	17	13
123907-59540	17	14
123907-59550	22	32
	17	18
123907-59560	11	28
123910-39850	10	8
123910-49600	10	10
123910-49610	4	82
123912-07900	10	2
123912-33050	10	25
123912-33100	6	11
123925-13600	5	11
123951-18220	11	25
124070-13300	2	25
124160-01751	4	50
	4	19
124160-11340	22	5

Parts No.	Fig. No.	Ref. No.
124160-11360	4	62
124223-39900	11	3
124411-01780	3	7
124465-44950	12	37
		38
	22	21
124559-77971	21	10
124722-59050	12	42
		45
	17	16
124732-77720	21	7
124737-91420	21	28
124766-59050	13	35
	17	5
		9
124770-91220	21	14
124950-11340	4	20
	22	12
126650-66020	18	2
128300-13640	6	12
128300-77920	21	8
129001-91810	2	14
		15
129004-55612	17	1
129005-59830	11	10
		18
129006-44480	10	4
129052-79270	20	19
129100-01580	2	5
	3	1
129100-55690	17	23
129107-44590	13	10
129150-02450	7	4
129150-03100	4	80
129150-11230	4	36
		40
129150-11750	4	23
		37
		41
129150-14200	7	1
129150-25920	7	14
129150-35170	10	16
129150-59131	16	30
		34
129150-91400	21	25
129155-51280	15	6
129155-61460	15	28
129198-59540	11	10 -2
129211-77920	21	9
		30

## Parts No. Index

Parts No.	Fig. No.	Ref. No.	Parts No.	Fig. No.	Ref. No.	Parts No.	Fig. No.	Ref. No.	Parts No.	Fig. No.	Ref. No.
129240-79300	20	14	129900-32030	10	17	129907-01950	14	131	129908-32060	2	11
129242-55700	17	21 -1		22	13	129907-01960	14	132	129908-33010	10	1
129242-55720	17	25 A-1	129900-32040	2	13	129907-03011	4	52	129908-33101	10	3
129242-55730	17	22 -1		22	14	129907-03061	4	53	129908-39410	11	31
129242-55740	17	25 B	129900-42020	12	11	129907-03070	4	54	129908-39690	11	39
129242-55750	17	25 C		22	15	129907-11100	4	27		22	3
129242-55760	17	25 D	129900-42450	12	14	129907-11110	4	16	129908-49060	10	6
129242-55770	17	25 E	129900-49870	12	31	129907-11120	4	17	129908-53000	16	2
129247-07000	13	1		22	16	129907-11250	4	30	129908-59810	16	37
129255-61410	15	22	129900-77010	19	1	129907-11260	4	31	129908-59820	16	38
129400-92450	22	34	129900-77040	23	1	129907-11270	4	32	129908-59830	16	39
129410-03990	4	77	129900-77120	23	2	129907-11341	4	29	129908-59840	16	40
129418-18320	6	4	129900-77130	23	5	129907-11510	4	21	129915-66160	18	1
129423-77200	20	2	129900-77140	23	6	129907-11650	4	34	129916-01710	3	8
129423-77710	20	17	129900-77150	23	9	129907-11660	4	38	129916-21610	9	10 -1
129457-59010	17	4	129900-77160	23	10	129907-11800	4	11	129916-49530	12	19
129466-49300	10	7	129900-77170	23	13	129907-11910	4	65	129916-59020	14	129
129472-18090	8	1	129900-77180	23	14	129907-11920	4	42	129920-44740	12	16
	22	28	129900-77190	23	15	129907-11950	4	48	129927-42140	2	13 A
129486-59551	17	15	129900-77270	23	17	129907-12110	5	2	129930-13201	6	6
129508-44550	13	9	129900-77280	23	22		22	9	129930-39050	11	42
129509-51390	14	18	129900-77290	23	23	129907-14400	7	2	129933-01500	2	8
129550-59120	16	31	129900-77330	20	1	129907-21660	9	9	129933-11310	4	57
129685-77640	23	28	129900-77380	23	24	129907-22050	9	18		22	8
129795-01900	20	31	129900-77390	23	25	129907-25900	7	17	129933-11320	4	51
129900-01200	1	31	129900-77400	19	2	129907-39061	11	14	129933-12500	5	15
129900-01250	1	5	129900-77420	23	26	129907-42000	12	1	129935-03260	4	72
129900-01740	2	6	129900-77430	23	27	129907-44560	13	23	129935-03270	4	74
129900-01780	2	4	129900-77440	19	5	129907-44600	13	11	129935-12070	5	13
129900-02020	1	7	129900-77450	19	7	129907-44610	13	12	129935-12520	5	16
129900-02341	1	34		9		129907-49610	12	39	129935-13100	6	1
129900-02410	1	10		23	7	129907-49620	12	43	129935-13600	6	8
129900-02931	1	28		12		129907-49710	12	40	129935-13630	6	10
129900-02941	1	37	129900-77460	19	11	129907-49720	12	44	129935-18010	8	3
129900-07900	4	1	129900-77480	19	8	129907-49730	12	22	129935-18350	5	8
129900-13251	6	2	129900-77510	19	17	129907-49750	12	41	129935-39040	11	1
	22	10	129900-77520	19	20	129907-49800	12	18	129935-39610	11	26
129900-14100	7	7	129900-77540	19	18	129907-51560	14	45	129937-13620	6	9
129900-21200	9	4	129900-77550	19	19	129907-59140	17	12	129937-44930	13	27
129900-21600	9	14	129900-77591	19	12	129907-59710	16	35	129940-44500	13	8
129900-21640	9	8	129900-77610	19	23	129907-59720	5	21	129944-12110	5	1
129900-21660	9	9 -1	129900-77620	19	13	129908-03099	4	66	129944-12620	5	20
129900-23001	9	24	129900-77640	19	15	129908-03209	4	67	129946-07000	13	50
129900-23200	9	29	129900-77650	19	14	129908-03219	4	69	129946-42800	13	2
129900-23601	9	30	129900-77700	19	16	129908-03229	4	70	129946-42801	13	2 -1
129900-23611	9	32	129900-77710	19	24	129908-11700	4	4	129946-42810	13	3
129900-23911	9	28	129906-51580	14	49	129908-13510	6	7	129946-42811	13	3 -1A
129900-25100	7	11	129907-01190	1	33	129908-14581	7	3	129946-42820	13	3 -1
129900-26250	2	12	129907-01331	1	32	129908-21000	9	1	129946-44500	13	7
129900-32030	2	31		22	4	129908-22080	9	16	129946-44800	13	16



## Parts No. Index

Parts No.	Fig. No.	Ref. No.
129946-44900	13	25
129946-44920	13	26
129946-44940	13	28
129946-44950	13	29
129946-44960	13	17
129946-44970	13	18
129946-44980	13	19
129946-44990	13	30
129946-66120	18	28
129950-59221	17	10
129953-25300	7	16
129953-34830	10	15
129953-35000	10	18
129955-01600	3	2
129955-21460	9	40
129955-21590	9	12
129957-59120	17	6
129960-03990	4	78
129960-21930	9	44
129960-21940	9	8 -1
129980-26200	7	21
129980-59510	17	11
129981-08030	13	46
129981-08040	13	47
129981-49050	13	31
129981-49060	13	32
129981-59010	17	8
144626-51090	14	83
158552-51570	14	46
158552-51580	14	48
158552-51670	14	127
158552-51780	14	118
158552-52100	14	71
158552-52310	14	73
158552-52400	14	74
158552-52500	14	72
158552-61900	15	76
158553-51551	14	43
158553-51630	14	60
158553-51640	14	62
158553-51660	14	64
158553-51670	14	54
158553-51680	14	65
158557-51570	14	47
158560-51600	14	59
158560-61050	15	2
158560-61061	15	3
158560-61071	15	4
158560-61430	15	24
158560-61442	15	25

Parts No.	Fig. No.	Ref. No.
158563-51150	7	18
158563-51281	14	16
		17
158563-51330	14	26
158600-51270	14	15
158601-51550	14	42
158601-51570	14	44
158601-51650	14	63
158601-51770	14	117
158601-51790	14	116
170064-67100	18	3
170064-67210	18	20
170121-91101	21	6
171008-77410	23	3
171008-77420	23	4
171008-77450	19	6
	23	8
171008-77670	23	18
171008-77730	19	21
171008-77740	19	22
	19	25
171008-77750	23	29
	18	5
171048-67010	18	14
171048-67130	18	14
171048-67140	18	15
171051-01921	1	6
171056-49120	10	5
171080-91101	21	12
171085-67100	18	11
171085-67110	18	12
171085-67120	18	13
171102-66080	18	6
22117-060000	18	21
22137-100000	18	22
22190-080002	11	8
		8 -1
		11
		19
		21
		23
		25
22190-120002	14	76
		77
		119
22190-160002	15	61
22190-180002	14	78
		120
22190-220002	3	11
		26

Parts No.	Fig. No.	Ref. No.
22217-100000	18	23
22217-180000	7	19
	14	79
22252-000300	9	23
22252-000721	9	42
22272-000050	18	24
22276-000060	13	3 -1C
22312-050140	14	80
22351-020006	18	16
22351-030010	11	38
22351-050010	14	81
22351-060012	1	11
22411-200150	18	17
22512-070140	7	8
	9	7
22857-500100	4	59
23000-022000	4	76
23000-025000	10	12
	11	29
23000-054000	5	12
23000-060000	5	22
	13	36
23000-090000	5	23
23414-080000	12	32
	22	20
23414-100000	11	9
	22	2
23857-030000	11	12
		20
	14	84
23857-060000	12	27
23875-030000	4	13
23876-020000	4	13
23876-030000	1	12
		13
		14
	4	14
23887-120002	14	121
23887-160002	15	63
24105-063064	9	43
24311-000070	2	16
	14	85
	22	22
24311-000120	4	47
		63
	22	23
24311-000160	17	25
24311-000320	2	30
	4	64
	22	24
24321-000600	10	13

Parts No.	Fig. No.	Ref. No.
24321-000600	22	31
24321-000650	17	24
24321-000750	17	24 -1
24321-000850	2	27
	22	29
24341-000240	2	33
	21	27
	22	33
24351-030750	2	17
	22	27
24356-010200	14	57
		86
24356-020210	14	87
24372-000150	14	58
25132-004150	12	15
26014-060122	13	13
26014-080252	20	33
26106-060102	13	37
	14	88
	15	64
		65
	18	25
	21	19
26106-060122	12	28
26106-060142	15	77
26106-060162	2	34
	11	30
	13	20
		38
		41
26106-060202	12	29
26106-060252	15	78
26106-060302	12	12
26106-060352	14	89
26106-060402	6	16
	15	79
26106-080122	3	12
	4	81
	10	23
	11	13
		22
	12	33
26106-080162	2	18
		19
	4	2
	6	22
	7	9
	10	24
	13	21
		39

## Parts No. Index

Parts No.	Fig. No.	Ref. No.
26106-080162	14	133
26106-080182	16	42
26106-080202	2	20
	5	14
	6	21
	13	40
26106-080222	4	83
	9	15
	14	134
		135
26106-080252	13	41
26106-080302	17	3
26106-080402	2	21
		22
	4	44
26106-080452	2	23
	5	3
26106-080552	7	15
	12	13
		30
26106-080602	4	45
		46
	12	34
26106-080702	5	9
26106-080802	5	4
26106-080902	5	10
26106-100202	2	28
	13	42
	14	136
	18	27
26106-100252	13	48
26106-100352	13	49
26106-100552	13	43
26116-050102	4	71
26116-060082	18	18
26116-060102	15	51
26116-120302	19	26
	23	30
26206-100352	3	5
26206-100702	3	6
26216-100302	2	10
26226-080222	4	43
26306-080002	4	49
	6	20
		23
	8	2
26306-100002	2	24
	20	32
26347-040002	6	17
26347-060002	6	18

Parts No.	Fig. No.	Ref. No.
26366-080002	13	44
26366-100002	13	22
		45
26450-100452	14	92
26557-040352	6	19
26657-100002	18	26
26756-050002	18	29
26756-060002	15	66
26776-180002	7	20
	14	93
26921-050122	18	19
27241-300000	1	15
27241-400000	4	15
27310-070001	4	25
720445-44200	13	4
729900-02801	1	25
729907-01570	2	1
729907-22950	9	36
729908-01560	1	1
729908-22900	9	34
729908-51310	14	1
729908-53100	16	1
729908-92610	22	1
933110-00100	21	20
		34
933110-00301	21	22
		36
977770-1207F	2	29
	3	3
	4	84
	22	35
X2114155110	19	3
X2114255110	19	4
X2114955020	23	16
X2130631300	19	10
	23	11
X9490561001	20	3

Parts No.	Fig. No.	Ref. No.
-----------	----------	----------

Parts No.	Fig. No.	Ref. No.
-----------	----------	----------