

0CV10-M88000EN

PREFACE

1.This Parts Catalog carries all parts incorporated in YANMAR Model 4TNV98T-NIR engine manufactured since December,2003.

2.Each illustration corresponds to the parts list on the followingpage.

3.When ordering parts,clearly write down the engine model and serial number,as well as the name and number of each part in your order sheet. This will help insure reliable delivery of the parts youhave ordered.

Directions for the Parts Catalog.

1. The parts stipulated in this Parts Catalog are not necessarily standard equipped parts.
2. Parts may change without prior notice.
3. The following is an example of the Parts Catalog format.

REF.	LEV.	PARTS NO.	DESCRIPTION	Q'TY						I	R
				(A)	(B)	(C)	(D)	(E)	(F)		
1	1	729595-51390	FUEL INJECTION PUMP	1	1	1	1	1			1
1-1	1	729595-51391	FUEL INJECTION PUMP	1	1	1	1	1		N	1
		(A=E00185) (B=E00200)									
3	2	26022-060162	SCREW M 6X 16	9	9	9	9	9			
3-1	2	26022-060162	SCREW M 6X 16	4	4	4	4	4		K	
		(A=E00156) (B=E00156) (C=E00156) (D=E00156) (E=E00156)									
4	2	129470-51040	CAMSHAFT	1	1	1	1	1			
5	2	122710-51050	BEARING, ROLLER	2	2	2	2	2			
6	2	129470-51060	RETAINER	1	1	1	1	1			

Remarks
(1) BOOST COMPEMSATOR TYPE. OPTIONAL PART, TO E00155,(4JH-DT, 4JH-DTZ

① Ref. No.

The Ref. No. listed may not be in accordance with the illustration Ref. No.

(Ex.) Illustration No.

List Ref No.

1 1 (Before change) → 1-1 (After change)

For interchangeable symbols N, R and K, illustrations for new parts may be abbreviated.

② Lev. (Level)

Level indication

The numbers below indicate the level of relativity towards the main part.

1 ---- Main parts (Assembly parts)

2 ---- Sub component included in " 1 ".

3 ---- Sub component included in " 2 ".

Note) Parts that are not for sale are partially illustrated but not listed.

③ Interchangeability Mark

When a part change takes place, one of the following interchangeability symbols is indicated beside the part.

Symbol	Interchangeability	Contents note
N	Old $\begin{matrix} \leftarrow \text{Yes} \\ \text{No} \rightarrow \end{matrix}$ New	New Part is interchangeable for Old Part but Old Part is not interchangeable for New Part.
Q	Old $\begin{matrix} \leftarrow \text{No} \\ \text{Yes} \rightarrow \end{matrix}$ New	New Part is not interchangeable for Old Part but Old Part is interchangeable for New Part.
R	Old $\begin{matrix} \leftarrow \text{Yes} \\ \text{Yes} \rightarrow \end{matrix}$ New	New/ Old Parts are both interchangeable.
S	Old $\begin{matrix} \leftarrow \text{No} \\ \text{No} \rightarrow \end{matrix}$ New	New/ Old Parts are both not interchangeable.
W		Part newly added.
Z		Part discontinued.
F		Not interchangeable by a single part but interchangeable together with related parts.
K		Changes only for used parts quantities.

④ Effective Machine No.

When a part changes, the effective Machine No. will be indicated in the (A)-(F) column.

Product Symbol	Product No.	Product Symbol	Product No.
C	Clutch No. Compressor No.	F	Machine No. (Agricultural Equip.)
D	Drive No.	M	Machine No.
E	Engine No.		

Note 1) A date may follow the symbol. (Ex.) 1996.01

Note 2) " XXXXX " and " ZZZZZ " are for parts that could not be predicted or for engine models that could not be identified.

Note 3) (A=E00185) is the E (Engine Serial Number) for the column (A) model (in this case 4JH-DT) after the parts design change.

⑤ Remarks Mark

Figures or alphabets (symbols) are entered in the remarks column.

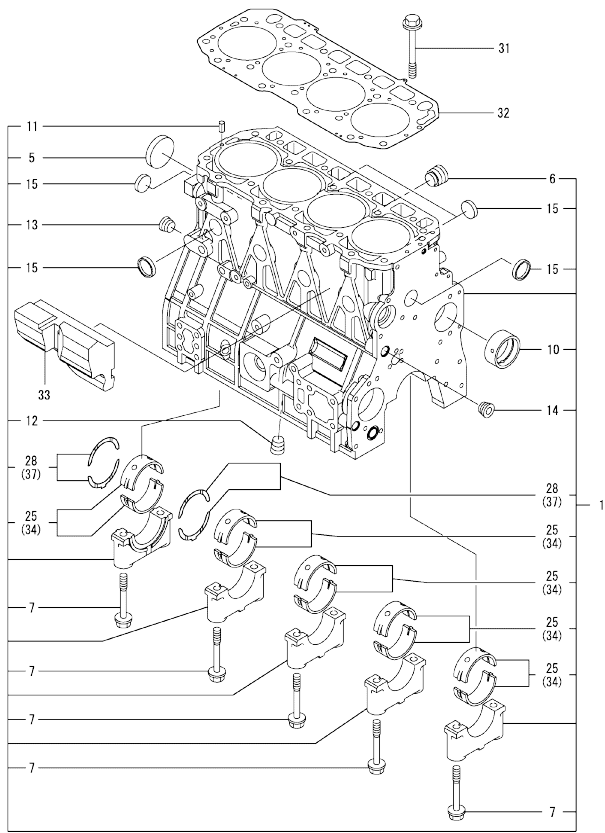
The comments (remarks) on parts that are indicated at the bottom of the illustration are the same symbols as those stated above.

Contents

0CV10-M88000

Fig. No.	Fig. Name	Fig. No.	Fig. Name
ENGINE SECTION 4TNV98T-NIR			
1.	CYLINDER BLOCK		
2.	GEAR HOUSING		
3.	FLYWHEEL HOUSING & OIL SUMP		
4.	CYLINDER HEAD & BONNET		
5.	SUCTION & EXHAUST MANIFOLD		
6.	TURBINE		
7.	CAMSHAFT & DRIVING GEAR		
8.	CRANKSHAFT & PISTON		
9.	LUB.OIL SYSTEM		
10.	LUB.OIL LINE		
11.	COOLING WATER SYSTEM		
12.	FUEL INJECTION PUMP		
13.	FUEL INJECTION VALVE		
14.	FUEL LINE		
15.	STARTING MOTOR		
18.	(15A)STARTING MOTOR		
16.	GENERATOR		
17.	GASKET SET		

Fig.1. CYLINDER BLOCK



No.	Lev.	Parts No.	Description	Q'ty						I	R
				(A)	(B)	(C)	(D)	(E)	(F)		
1	1	729908-01560	BLOCK ASSY, CYLINDER	1							
5	2	129900-01250	PLUG, DISH TYPE 55	1							
6	2	171051-01921	PLUG, NPTF1	1							
7	2	129900-02020	BOLT, METAL CAP	10							
10	2	129900-02410	BUSH, CAMSHAFT	1							
11	2	22351-060012	PIN, SPRING 6.0X12	2							
12	2	23876-030000	PLUG, R03	1							
13	2	23876-030000	PLUG, R03	1							
14	2	23876-030000	PLUG, R03	1							
15	2	27241-300000	PLUG 30	8							
25	2	729900-02800	BEARING, MAIN	5							3
28	2	129900-02930	BEARING ASSY, THRUST	2							
31	1	129900-01200	BOLT, CYLINDER HEAD	18							
32	1	129907-01331	GASKET, HEAD	1							
33	1	129907-01190	SPACER	1							
34	1	129900-02340	BEARING ASSY, MAIN	5							1
37	1	129900-02940	BEARING, THRUST 0.25	2							2

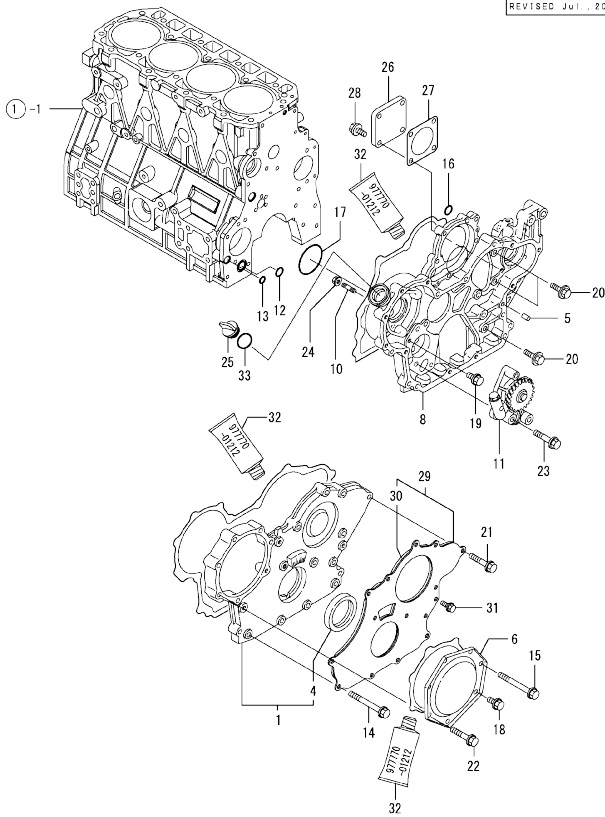
Remarks
 (1) UNDER-SIZED(U.S=0.25)PART.
 (2) OVER-SIZED(O.S=0.25)PART.
 (3) REPAIR PART.

Fig.2. GEAR HOUSING

(A)=4TNV98T-NIR
(B)=
(C)=

(D)=
(E)=
(F)=

図号: 000130V88000-1
発注年月: 2005.07
REVISED Jul. 2005

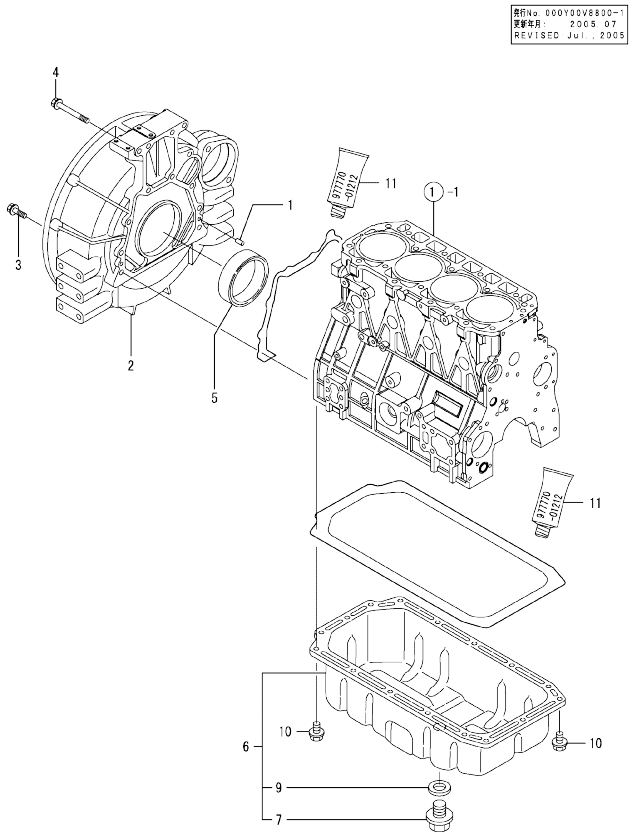


No.	Lev.	Parts No.	Description	Q'ty						I	R
				(A)	(B)	(C)	(D)	(E)	(F)		
1	1	72907-01550	COVER ASSY,GEAR CASE	1							
1-1	1	72906-01550	COVER ASSY,GEAR CASE	1							N
(A=ER02841)											
4	2	129900-01780	SEAL, OIL	1							
4-1	2	129916-01800	SEAL, OIL	1							N
(A=ER02841)											
5	1	129100-01580	PIN, PARALLEL 8X16	4							
6	1	129900-01740	COVER	1							
8	1	129908-01500	CASE, GEAR	1							
10	1	26216-100302	STUD, M10X 30	4							
11	1	129908-32060	PUMP ASSY, OIL	1							
12	1	129900-32030	O-RING, P20	1							
13	1	129900-32040	O-RING, P14	1							
14	1	129001-91810	BOLT, M8X70	6							
15	1	129001-91810	BOLT, M8X70	1							
16	1	24311-000070	O-RING, 1AP7.0	1							
17	1	24351-030750	O-RING, 1A3075	1							
18	1	26106-080162	BOLT, M8X 16 PLATED	1							
19	1	26106-080162	BOLT, M8X 16 PLATED	1							
20	1	26106-080202	BOLT, M8X 20 PLATED	3							
21	1	26106-080402	BOLT, M8X 40 PLATED	5							
22	1	26106-080402	BOLT, M8X 40 PLATED	5							
23	1	26106-080452	BOLT, M8X 45 PLATED	3							
24	1	26306-100002	NUT, M10	4							
25	1	124160-01751	CAP, FILLER	1							
26	1	124240-01871	COVER, PUMP	1							
27	1	124240-01883	GASKET	1							
28	1	26106-080162	BOLT, M8X 16 PLATED	4							
29	1	129900-01850	COVER ASSY,GEAR CASE	1							
30	2	129900-01870	SPONGE, GEAR CASE	1							
31	1	26106-080162	BOLT, M8X 16 PLATED	3							
32	1	977770-01212	GASKET, LIQUID	1							1
33	1	24311-000320	O-RING, 1AP32.0	1							

Remarks
(1) OPTIONAL PART.

N:Old $\frac{100}{100}$ New, Q:Old $\frac{100}{100}$ New, R:Old $\frac{100}{100}$ New, S:Old $\frac{100}{100}$ New, W:Add, Z:Discontinued, F:Interchangeable by set, K:Qty Change
Copyright (C) YANMAR CO., LTD. All Rights Reserved.

Fig.3. FLYWHEEL HOUSING & OIL SUMP



図号: 000130V8800-1
 発注時期: 2005.07
 REVISED Jul. 2005

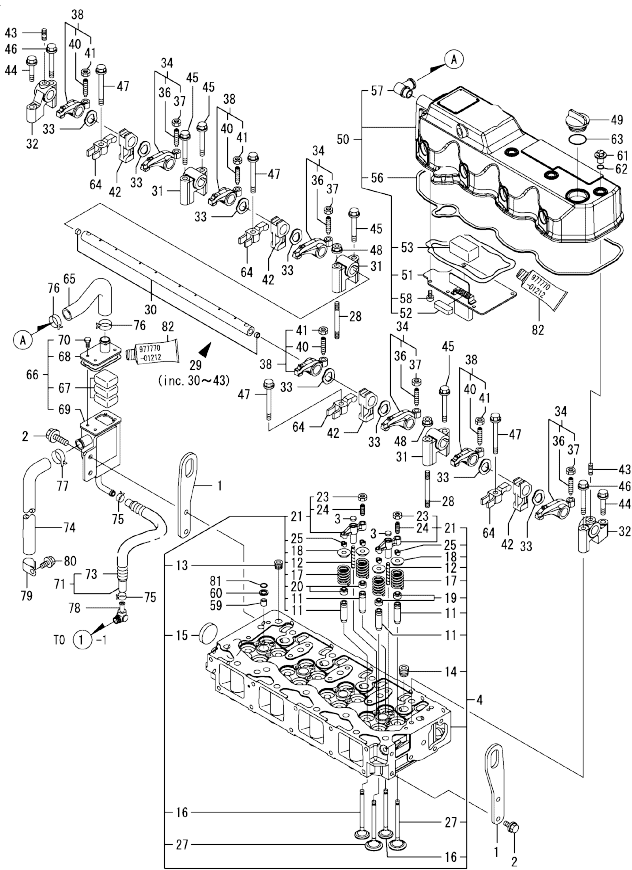
(A)=4TNV98T-NIR
 (B)=
 (C)=

(D)=
 (E)=
 (F)=

No.	Lev.	Parts No.	Description	Q'ty						I	R
				(A)	(B)	(C)	(D)	(E)	(F)		
1	1	129100-01580	PIN, PARALLEL 8X16	2							
2	1	129981-01600	HOUSING, FLYWHEEL	1							
3	1	26206-100352	BOLT, M10X 35 PLATED	9							
4	1	26206-100702	BOLT, M10X 70 PLATED	4							
5	1	124411-01780	SEAL, HTC95X115X12	1							
5-1	1	129916-01790	SEAL, D115/95XT11	1							N
(A=ER02841)											
6	1	129916-01710	OIL PAN ASSY	1							
7	2	119640-01640	PLUG, DRAIN M22	1							
9	2	22190-220002	WASHER, SEAL 22	1							
10	1	26106-080122	BOLT, M8X 12 PLATED	16							
11	1	977770-01212	GASKET, LIQUID	1							1

Remarks
 (1) OPTIONAL PART.

Fig.4. CYLINDER HEAD & BONNET



(A)=4TNV98T-NIR
(B)=
(C)=

(D)=
(E)=
(F)=

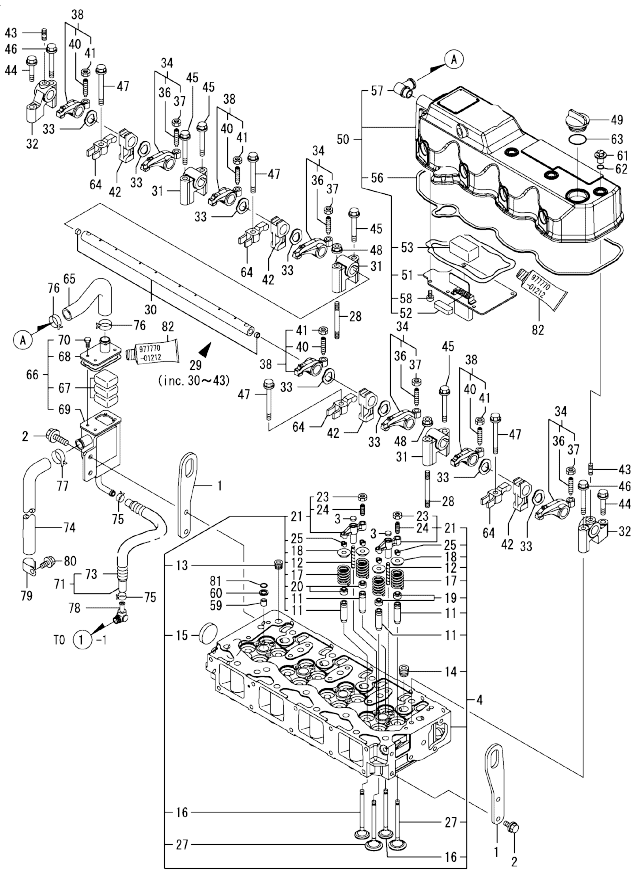
No.	Lev.	Parts No.	Description	Q'ty						I	R
				(A)	(B)	(C)	(D)	(E)	(F)		
1	1	129907-07900	LIFTER, ENGINE	2							
2	1	26106-080162	BOLT, M8X 16 PLATED	4							
3	1	123907-11550	SEAT, VALVE BRIDGE	8							
4	1	129908-11700	HEAD ASSY, CYLINDER	1							1
11	2	129907-11800	GUIDE, VALVE	16							
12	2	123907-11820	GUIDE, BRIDGE	8							
13	2	23876-020000	PLUG, R02	1							
14	2	23876-030000	PLUG, R03	4							
15	2	27241-400000	PLUG, 40	1							
16	2	129907-11110	VALVE, EXHAUST	8							
17	2	129907-11120	SPRING, VALVE	16							
18	2	119620-11180	RETAINER, SPRING	16							
19	2	124160-11340	SEAL, VALVE STEM	8							
20	2	124950-11340	SEAL, VALVE STEM	8							
21	2	129907-11510	BRIDGE ASSY, VALVE	8							
23	3	129150-11750	NUT, M8	8							
24	3	123907-11830	ADJUSTER	8							
25	2	27310-070001	COTTER, 7	16							
27	2	129907-11100	VALVE, SUCTION	8							
28	1	119593-11301	BOLT, STUD M8X80	2							
29	1	129907-11341	SHAFT ASSY, ROCKER	1							
30	2	129907-11250	SHAFT, ROCKER ARM	1							
31	2	129907-11260	SUPPORT, ROCKER ARM	3							
32	2	129907-11270	SUPPORT, ROCKER ARM	2							
33	2	123907-11280	WASHER	8							
34	2	129907-11650	ARM ASSY, ROCKER	4							
36	3	129150-11230	SCREW, VALVE ADJUST	4							
37	3	129150-11750	NUT, M8	4							
38	2	129907-11660	ARM ASSY, ROCKER	4							
40	3	129150-11230	SCREW, VALVE ADJUST	4							
41	3	129150-11750	NUT, M8	4							
42	2	129907-11920	RETAINER, NOZZLE	4							
43	2	26226-080222	STUD, M8X 22	2							
44	1	26106-080402	BOLT, M8X 40 PLATED	2							
45	1	26106-080602	BOLT, M8X 60 PLATED	4							
46	1	26106-080602	BOLT, M8X 60 PLATED	2							
47	1	129907-11950	BOLT, M8X75	4							
48	1	26306-080002	NUT, M8	2							
49	1	124160-01751	CAP, FILLER	1							
50	1	129908-11320	BONNET ASSY, HEAD	1							
51	2	129907-03010	PLATE, BAFFLE	1							
52	2	129907-03060	BAFFLE, BREATHER	1							
53	2	129907-03070	BAFFLE, BREATHER	1							
56	2	129907-11310	GASKET, BONNET	1							
57	2	119100-11330	ELBOW, BREATHER	1							
58	2	22857-500100	SCREW, 5X10	6							
59	1	119802-11870	PROTECTOR, NOZZLE	4							
60	1	119625-11880	SEAT, NOZZLE	4							
61	1	124160-11360	KNOB	4							
62	1	24311-000120	O-RING, 1AP12.0	4							
63	1	24311-000320	O-RING, 1AP32.0	1							

Remarks

- (1) REPAIR PART.
- (2) OPTIONAL PART.

OCV10-M88000 ENGINE SECTION 4TNV98T-NIR
 Fig.4. CYLINDER HEAD & BONNET

OCV10-M88000 Fig.4



(A)=4TNV98T-NIR
 (B)=
 (C)=

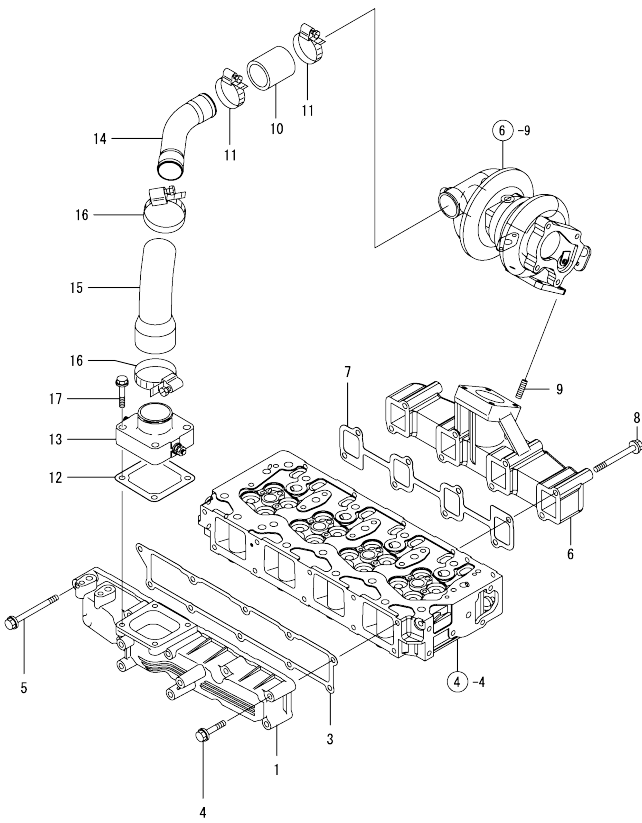
(D)=
 (E)=
 (F)=

No.	Lev.	Parts No.	Description	Q'ty						I	R
				(A)	(B)	(C)	(D)	(E)	(F)		
64	1	129907-11910	RETAINER, NOZZLE	4							
65	1	129908-03099	HOSE, BREATHER	1							
66	1	129908-03209	BREATHER ASSY	1							
67	2	123901-03240	FILTER	3							
68	2	129908-03219	COVER, BREATHER	1							
69	2	129908-03229	BREATHER	1							
70	2	26116-050102	BOLT, M5X 10 PLATED	4							
71	1	129935-03260	HOSE ASSY RETURN	1							
73	2	129935-03270	TUBE, CORRUGATED	1							
74	1	119006-03090	HOSE, BREATHER	1							
75	1	23000-022000	CLAMP, 22	2							
76	1	129410-03990	CLAMP, HOSE 21.5	2							
77	1	129960-03990	CLAMP, HOSE 19.8	1							
78	1	123901-03280	ELBOW, PT3/8-10	1							
79	1	129150-03100	RETAINER, PIPE	1							
80	1	26106-080122	BOLT, M8X 12 PLATED	1							
81	1	24311-000120	O-RING, 1AP12.0	4							
82	1	97770-01212	GASKET, LIQUID	1							2

Remarks
 (1) REPAIR PART.
 (2) OPTIONAL PART.

N:Old $\frac{100}{100}$ New, Q:Old $\frac{100}{100}$ New, R:Old $\frac{100}{100}$ New, S:Old $\frac{100}{100}$ New, W:Add, Z:Discontinued, F:Interchangeable by set, K:Qty Change
 Copyright (C) YANMAR CO., LTD. All Rights Reserved.

Fig.5. SUCTION & EXHAUST MANIFOLD



(A)=4TNV98T-NIR
(B)=
(C)=

(D)=
(E)=
(F)=

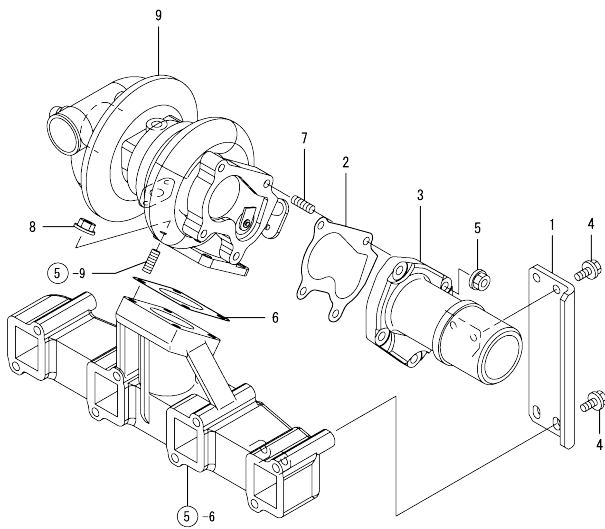
No.	Lev.	Parts No.	Description	Q'ty						I	R
				(A)	(B)	(C)	(D)	(E)	(F)		
1	1	129907-12100	MANIFOLD, AIR INTAKE	1							
3	1	129907-12110	GASKET, MANIFOLD	1							
4	1	26106-080552	BOLT, M8X 55 PLATED	9							
5	1	26106-080852	BOLT, M8X 85 PLATED	1							
6	1	129908-13100	MANIFOLD, EXHAUST	1							
7	1	129900-13251	GASKET, EXH.MANIFOLD	1							
8	1	123900-13630	BOLT, M8X80	8							
9	1	129418-18320	BOLT, STUD M8X20	4							
10	1	123951-18220	JOINT, RUBBER	1							
11	1	23000-054000	CLAMP, 54	2							
12	1	121850-77021	GASKET, AIR HEATER	1							
13	1	129915-77050	HEATER, AIR 12V	1							
14	1	129974-18200	DUCT, AIR	1							
15	1	129974-18210	JOINT, RUBBER	1							
16	1	23000-054000	CLAMP, 54	2							
17	1	26106-080352	BOLT, M8X 35 PLATED	4							

Fig.6. TURBINE

(A)=4TNV98T-NIR
(B)=
(C)=

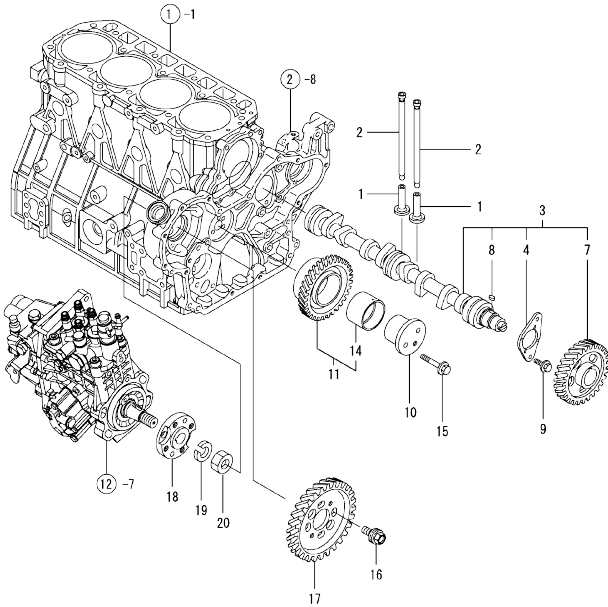
(D)=
(E)=
(F)=

No.	Lev.	Parts No.	Description	Q'ty					
				(A)	(B)	(C)	(D)	(E)	(F)
1	1	129908-13660	STAY	1					
2	1	123901-18080	GASKET	1					
3	1	129908-18100	OUTLET	1					
4	1	26106-080162	BOLT, M8X 16 PLATED	4					
5	1	26306-080002	NUT, M8	4					
6	1	129472-18090	GASKET	1					
7	1	119131-18320	BOLT, STUD M8X22	4					
8	1	26306-080002	NUT, M8	4					
9	1	129935-18010	TURBOCHARGER, RHF5	1					



0CV10-M88000 ENGINE SECTION 4TNV98T-NIR
 Fig.7. CAMSHAFT & DRIVING GEAR

0CV10-M88000 Fig.7



(A)=4TNV98T-NIR
 (B)=
 (C)=

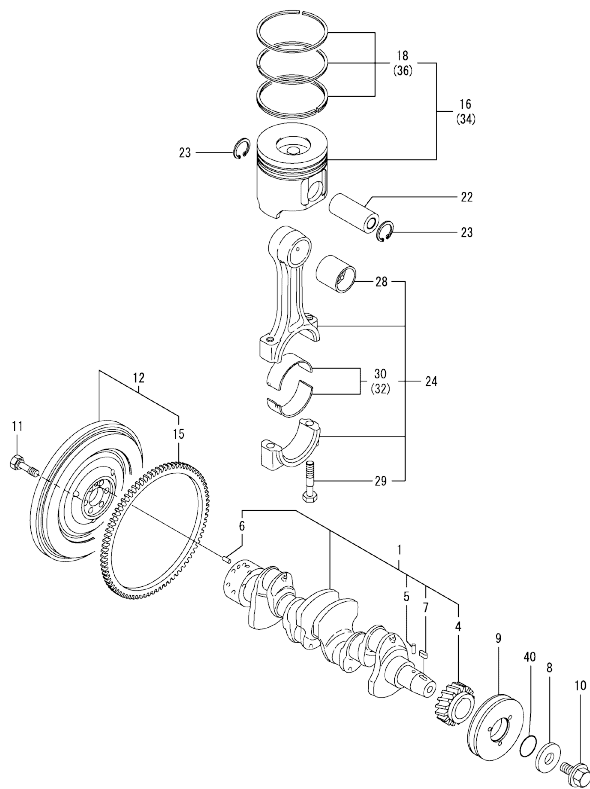
(D)=
 (E)=
 (F)=

No.	Lev.	Parts No.	Description	Q'ty						I	R
				(A)	(B)	(C)	(D)	(E)	(F)		
1	1	129150-14200	TAPPET	8							
2	1	129907-14400	PUSH-ROD	8							
3	1	129908-14581	CAMSHAFT ASSY	1							
4	2	129150-02450	BEARING, THRUST	1							
7	2	129900-14100	GEAR, CAMSHAFT	1							
8	2	22512-070140	KEY, 7X 14	1							
9	1	26106-080162	BOLT, M8X 16 PLATED	2							
10	1	123900-25060	SHAFT, IDLE GEAR	1							
11	1	129900-25100	GEAR ASSY, IDLE	1							
14	2	129150-25920	BUSH, IDLE GEAR	1							1
15	1	26106-080552	BOLT, M8X 55 PLATED	3							
16	1	129953-25300	BOLT	4							
17	1	123907-25909	GEAR, PUMP	1							
18	1	158563-51150	FLANGE	1							
19	1	22217-180000	WASHER, SPRING 18	1							
20	1	26776-180002	NUT, LOCK M18	1							

Remarks
 (1) REPAIR PART.

N:Old $\frac{100}{100}$ New, Q:Old $\frac{100}{100}$ New, R:Old $\frac{100}{100}$ New, S:Old $\frac{100}{100}$ New, W:Add, Z:Discontinued, F:Interchangeable by set, K:Qty Change
 Copyright (C) YANMAR CO., LTD. All Rights Reserved.

Fig.8. CRANKSHAFT & PISTON



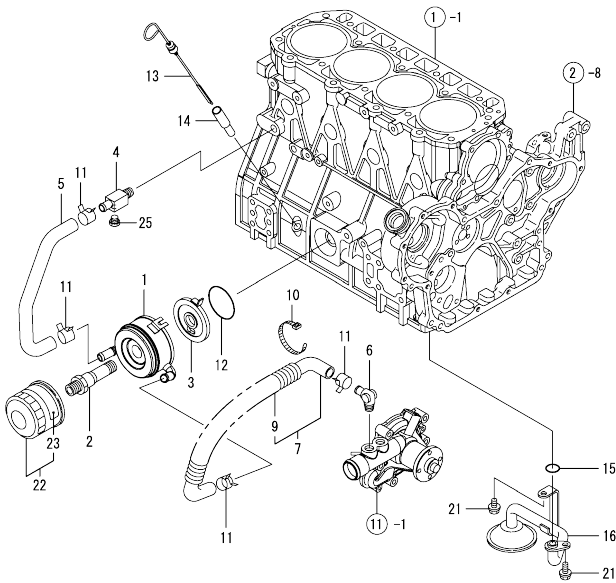
(A)=4TNV98T-NIR
(B)=
(C)=

(D)=
(E)=
(F)=

No.	Lev.	Parts No.	Description	Q'ty						I	R
				(A)	(B)	(C)	(D)	(E)	(F)		
1	1	129908-21000	CRANKSHAFT ASSY	1							
4	2	129900-21200	GEAR, CRANKSHAFT	1							
5	2	121850-21290	PIN	1							
6	2	121850-21920	PIN, PARALLEL 10X22	1							
7	2	22512-070140	KEY, 7X 14	1							
8	1	129900-21640	WASHER	1							
9	1	129907-21680	V-PULLEY, 156	1							
10	1	129916-21610	BOLT	1							
11	1	121850-21130	BOLT, FLYWHEEL	6							
12	1	129907-21580	FLYWHEEL ASSY	1							
15	2	129900-21600	GEAR, RING	1							
16	1	129908-22080	PISTON ASSY	4							
18	2	129907-22050	RING SET, PISTON	4							
22	1	120130-22301	PIN, PISTON	4							
23	1	22252-000300	RING, 30	8							
24	1	129900-23000	ROD ASSY, CONNECTING	4							
28	2	129900-23910	BEARING, PISTON PIN	4							1
29	2	129900-23200	BOLT, CONNECTING ROD	8							
30	2	129900-23600	BEARING, CRANK PIN	4							
32	1	129900-23610	BEARING ASSY, 0.25US	4							2
34	1	729908-22900	PISTON ASSY, 0.25 OS	4							3
36	2	729907-22950	RING SET, 0.25 OS	4							3
40	1	24341-000530	O-RING, 1AS53.0	1							

Remarks
(1) REPAIR PART.
(2) UNDER-SIZE(U.S=0.25)PART.
(3) OVER-SIZE(O.S=0.25)PART.

Fig.9. LUB.OIL SYSTEM

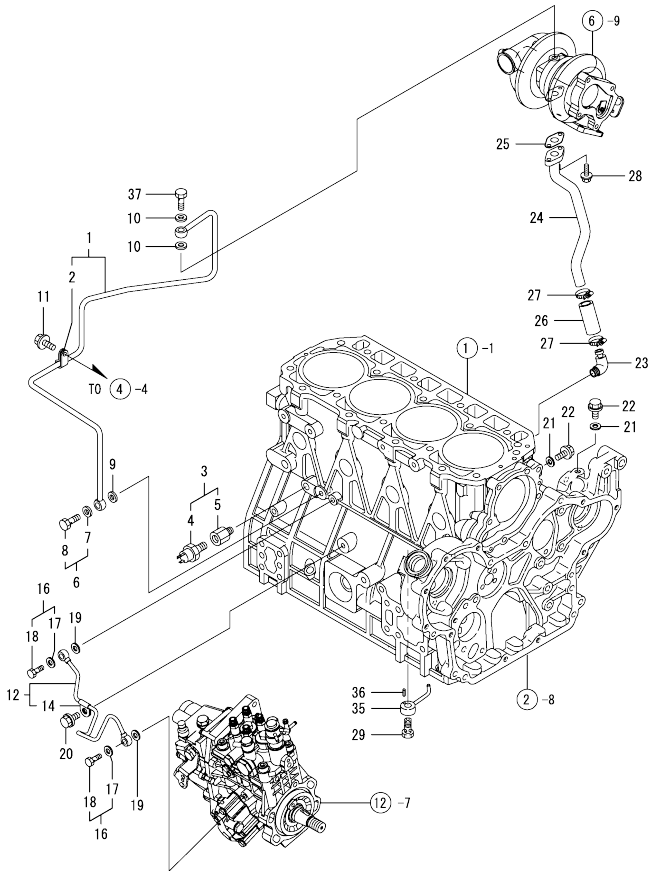


(A)=4TNV98T-NIR
(B)=
(C)=

(D)=
(E)=
(F)=

No.	Lev.	Parts No.	Description	Q'ty						
				(A)	(B)	(C)	(D)	(E)	(F)	
1	1	129908-33010	COOLER ASSY, OIL	1						
2	1	123912-33100	BOLT, COOLER	1						
3	1	129908-33100	BRACKET, OIL COOLER	1						
4	1	129006-44480	JOINT	1						
5	1	129908-49060	HOSE, WATER	1						
6	1	129466-49300	ELBOW, PT3/8	1						
7	1	123910-49600	HOSE ASSY, WATER	1						
9	2	123910-49610	TUBE, CORRUGATED	1						
10	1	121750-59890	BAND, NYLON	1						
11	1	23000-025000	CLAMP, 25	4						
12	1	24321-000600	O-RING, 1AG60.0	1						
13	1	129900-34800	DIPSTICK	1						
14	1	121520-34810	GUIDE, DIPSTICK	1						
15	1	129900-32030	O-RING, P20	1						
16	1	129900-35000	PIPE ASSY, OIL INLET	1						
21	1	26106-080122	BOLT, M8X 12 PLATED	2						
22	1	119802-35150	FILTER ASSY, D80X80L	1						
23	2	119802-07020	LABEL (LO FILTER	1						
25	1	171056-49120	PLUG, DRAIN R 1/4	1						

Fig.10. LUB.OIL LINE



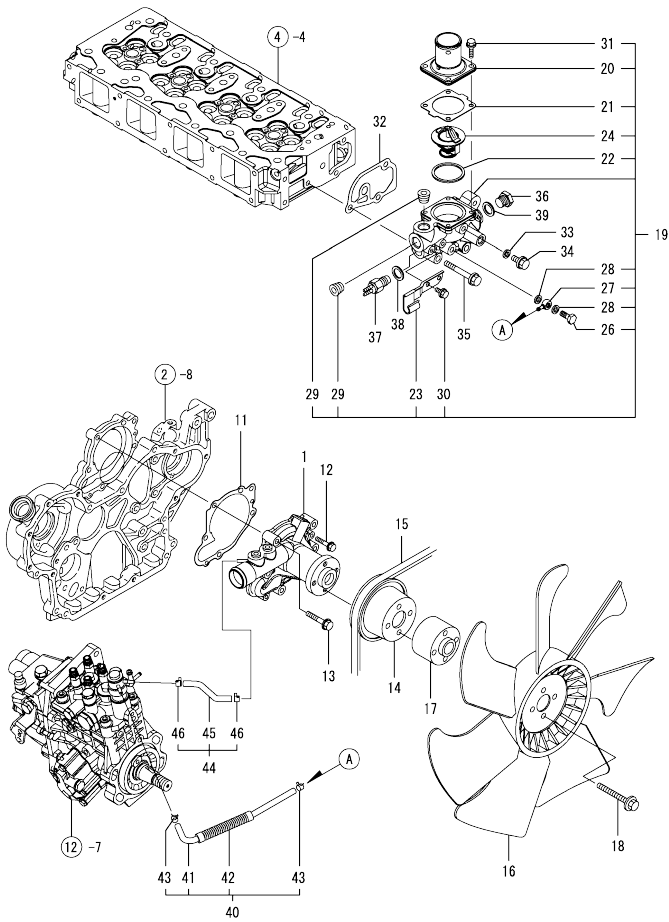
(A)=4TNV98T-NIR
(B)=
(C)=

(D)=
(E)=
(F)=

No.	Lev.	Parts No.	Description	Qty						I	R
				(A)	(B)	(C)	(D)	(E)	(F)		
1	1	129974-39060	PIPE ASSY, OIL	1							
2	2	124223-39900	RETAINER	1							
3	1	119940-39470	SWITCH	1							
4	2	119802-39460	SWITCH	1							
5	2	119285-39610	ADAPTER	1							
6	1	129005-59830	BOLT ASSY, JOINT M8	1							
7	2	22190-080002	WASHER, SEAL 6	1							
8	2	23857-030000	BOLT, JOINT 3	1							
9	1	22190-080002	WASHER, SEAL 6	1							
10	1	23414-100000	GASKET, 10X1.0	2							
11	1	26106-080122	BOLT, M8X 12 PLATED	1							
12	1	129907-39061	PIPE ASSY, OIL	1							
14	2	123907-39500	RETAINER, PIPE	1							
16	1	129005-59830	BOLT ASSY, JOINT M8	2							
17	2	22190-080002	WASHER, SEAL 6	2							
18	2	23857-030000	BOLT, JOINT 3	2							
19	1	22190-080002	WASHER, SEAL 6	2							
20	1	26106-080122	BOLT, M8X 12 PLATED	1							
21	1	22190-080002	WASHER, SEAL 6	2							
22	1	26106-080122	BOLT, M8X 12 PLATED	2							
23	1	124070-13300	ELBOW, PT3/8	1							
24	1	129974-39600	PIPE ASSY, OIL	1							
25	1	129908-39690	GASKET	1							
26	1	123901-39820	HOSE, LO RETURN	1							
27	1	23000-025000	CLAMP, 25	2							
28	1	26106-060162	BOLT, M6X 16 PLATED	2							
29	1	129908-39410	VALVE ASSY, CHECK	4							
35	1	119000-39650	NOZZLE, COOLING	4							
36	1	22351-030010	PIN, SPRING 3.0X10	4							
37	1	121252-39150	BOLT, JOINT M10X1.5	1							

OCV10-M88000 ENGINE SECTION 4TNV98T-NIR
 Fig.11. COOLING WATER SYSTEM

OCV10-M88000 Fig.11



(A)=4TNV98T-NIR
 (B)=
 (C)=

(D)=
 (E)=
 (F)=

No.	Lev.	Parts No.	Description	Q'ty						I	R
				(A)	(B)	(C)	(D)	(E)	(F)		
1	1	129908-42100	PUMP ASSY, WATER	1							
11	1	129900-42020	GASKET, WATER PUMP	1							
12	1	26106-060302	BOLT, M6X 30 PLATED	2							
13	1	26106-080552	BOLT, M8X 55 PLATED	5							
14	1	123900-42470	V-PULLEY, C.W.PUMP	1							
15	1	25153-004500	V-BELT, B45	1							
16	1	123915-44741	FAN, COOLING	1							
17	1	123910-44771	SPACER, FAN 50	1							
18	1	26106-100702	BOLT, M10X 70 PLATED	4							
19	1	129907-49800	CASE ASSY,THERMOSTAT	1							
20	2	129916-49530	COVER, THERMOSTAT	1							
21	2	121850-49540	GASKET, THERMOSTAT	1							
22	2	121850-49550	GASKET, THERMOSTAT	1							
23	2	129907-49730	RETAINER, PIPE	1							
24	2	121850-49810	THERMOSTAT, 71C	1							
26	2	105582-59150	BOLT, PIPE JOINT M8	1							
27	2	23387-040800	JOINT, HOSE 4-8	1							
28	2	23414-080000	GASKET, 8X1.0	2							
29	2	23875-030000	PLUG, R03	2							
30	2	26106-060122	BOLT, M6X 12 PLATED	2							
31	2	26106-060202	BOLT, M6X 20 PLATED	4							
32	1	129900-49870	GASKET, THERMOSTAT	1							
33	1	23414-080000	GASKET, 8X1.0	1							
34	1	26106-080122	BOLT, M8X 12 PLATED	1							
35	1	26106-080602	BOLT, M8X 60 PLATED	3							
36	1	121450-42450	PLUG, M16	1							
37	1	119843-44900	SWITCH, 110	1							
38	1	124465-44950	GASKET, 16	1							
39	1	124465-44950	GASKET, 16	1							
40	1	129907-49610	HOSE ASSY, WATER	1							
41	2	129907-49710	HOSE, WATER	1							
42	2	129907-49750	TUBE, CORRUGATED	1							
43	2	124722-59050	CLAMP, HOSE 9	2							
44	1	129907-49620	HOSE ASSY, WATER	1							
45	2	129907-49720	HOSE, WATER	1							
46	2	124722-59050	CLAMP, HOSE 9	2							

N:Old $\frac{New}{Old}$ New, Q:Old $\frac{New}{Old}$ New, R:Old $\frac{New}{Old}$ New, S:Old $\frac{New}{Old}$ New, W:Add, Z:Discontinued, F:Interchangeable by set, K:Q'ty Change
 Copyright (C) YANMAR CO., LTD. All Rights Reserved.

Fig.12. FUEL INJECTION PUMP

(A)=4TNV98T-NIR
(B)=
(C)=

(D)=
(E)=
(F)=

No.	Lev.	Parts No.	Description	Q'ty					
				(A)	(B)	(C)	(D)	(E)	(F)
1	1	129907-01950	RETAINER, PUMP	1					
2	1	129907-01960	RETAINER, PUMP	1					
3	1	26106-080162	BOLT, M8X 16 PLATED	2					
4	1	26106-080222	BOLT, M8X 22 PLATED	2					
5	1	26106-080222	BOLT, M8X 22 PLATED	1					
6	1	26106-100202	BOLT, M10X 20 PLATED	1					
7	1	729933-51300	PUMP ASSY, INJECTION	1					

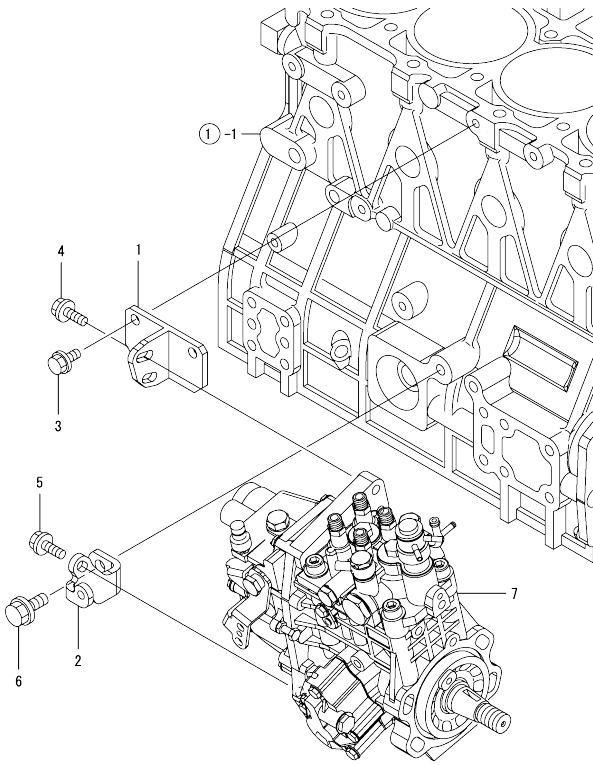
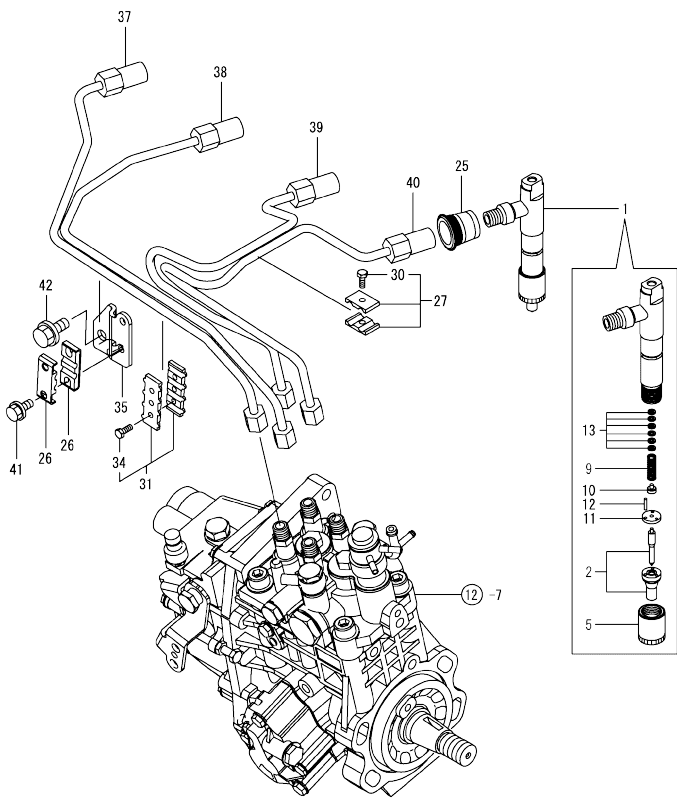


Fig.13. FUEL INJECTION VALVE

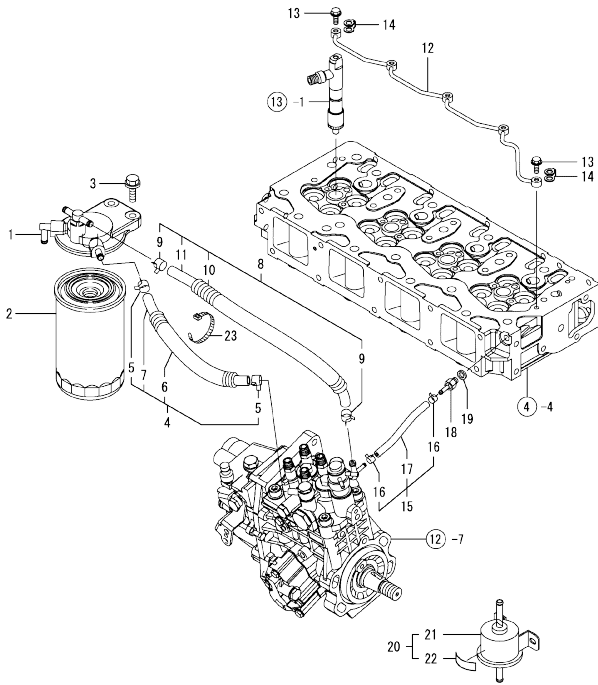


No.	Lev.	Parts No.	Description	Q'ty					
				(A)	(B)	(C)	(D)	(E)	(F)
1	1	729908-53100	FUEL INJECTOR ASSY	4					
2	2	129908-53000	NOZZLE ASSY, F.I.	4					
5	2	114250-53080	NUT, NOZZLE	4					
9	2	114250-53120	SPRING, NOZZLE	4					
10	2	114250-53130	SEAT, SPRING	4					
11	2	114250-53140	SPACER	4					
12	2	114250-53210	PIN	8					
13	2	114250-53400	SHIM SET	4					
25	1	123907-11601	SEAL, PIPE	4					
26	1	122780-59100	RETAINER	2					
27	1	119305-59120	RETAINER, PIPE	1					
30	2	129150-59131	BOLT, M4X14	1					
31	1	129550-59120	RETAINER, PIPE	1					
34	2	129150-59131	BOLT, M4X14	2					
35	1	129907-59710	SUPPORT	1					
37	1	129908-59810	PIPE ASSY, INJECTION	1					
38	1	129908-59820	PIPE ASSY, INJECTION	1					
39	1	129908-59830	PIPE ASSY, INJECTION	1					
40	1	129908-59840	PIPE ASSY, INJECTION	1					
41	1	26106-060162	BOLT, M6X 16 PLATED	2					
42	1	26106-080182	BOLT, M8X 18 PLATED	1					

Fig.14. FUEL LINE

(A)=4TNV98T-NIR
(B)=
(C)=

(D)=
(E)=
(F)=

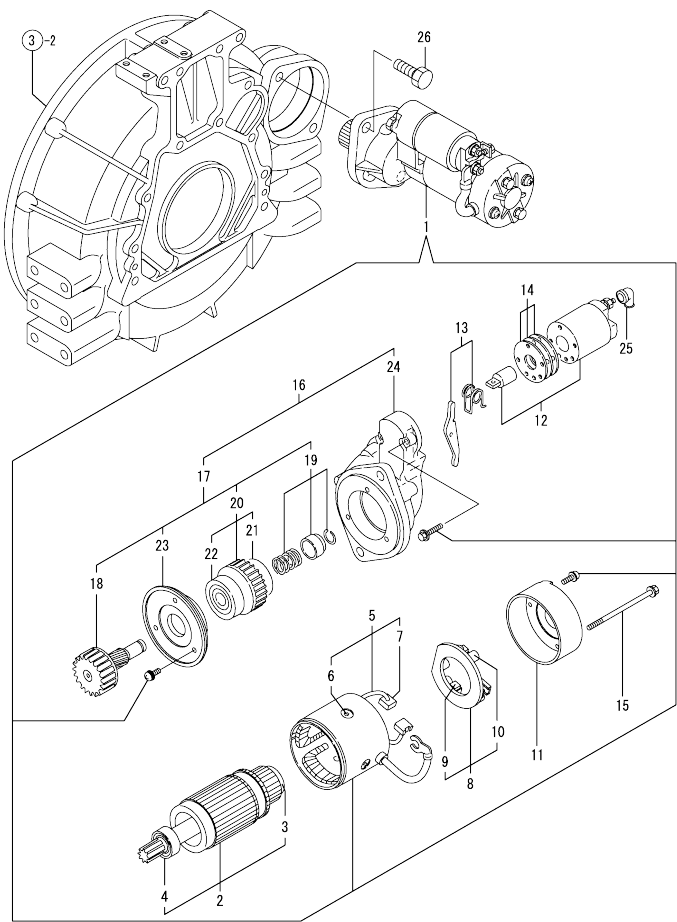


No.	Lev.	Parts No.	Description	Q'ty						I	R
				(A)	(B)	(C)	(D)	(E)	(F)		
1	1	129004-55610	BRACKET, FILTER	1							
2	1	129933-55800	FILTER, FUEL	1							
3	1	26106-080302	BOLT, M8X 30 PLATED	2							
4	1	129457-59010	HOSE ASSY, FUEL	1							
5	2	124766-59050	CLAMP, HOSE 11.5	2							
6	2	129957-59120	TUBE, CORRUGATED 15	1							
7	2	105025-59750	HOSE, FUEL	1							
8	1	129981-59010	HOSE ASSY, FUEL	1							
9	2	124766-59050	CLAMP, HOSE 11.5	2							
10	2	129950-59221	TUBE, CORRUGATED 15	1							
11	2	129980-59510	HOSE, FUEL	1							
12	1	129907-59140	PIPE ASSY, RETURN	1							
13	1	123907-59540	BOLT, PIPE JOINT M6	5							
14	1	123907-59550	GASKET	5							
15	1	129486-59551	HOSE ASSY, RETURN	1							
16	2	124722-59050	CLAMP, HOSE 9	2							
17	2	129486-59510	HOSE, FUEL RETURN	1							
18	1	123907-59560	JOINT, HOSE	1							
19	1	22190-080002	WASHER, SEAL 6	1							
20	1	119802-52110	PUMP ASSY, FUEL FEED	1							1
21	2	119225-52102	PUMP, FUEL FEED	1							
22	2	119802-52120	LABEL (FEED PUMP	1							
23	1	121750-59890	BAND, NYLON	1							

Remarks
(1) REPAIR PART.

N:Old $\frac{100}{100}$ New, Q:Old $\frac{100}{100}$ New, R:Old $\frac{100}{100}$ New, S:Old $\frac{100}{100}$ New, W:Add, Z:Discontinued, F:Interchangeable by set, K:Q'ty Change
Copyright (C) YANMAR CO., LTD. All Rights Reserved.

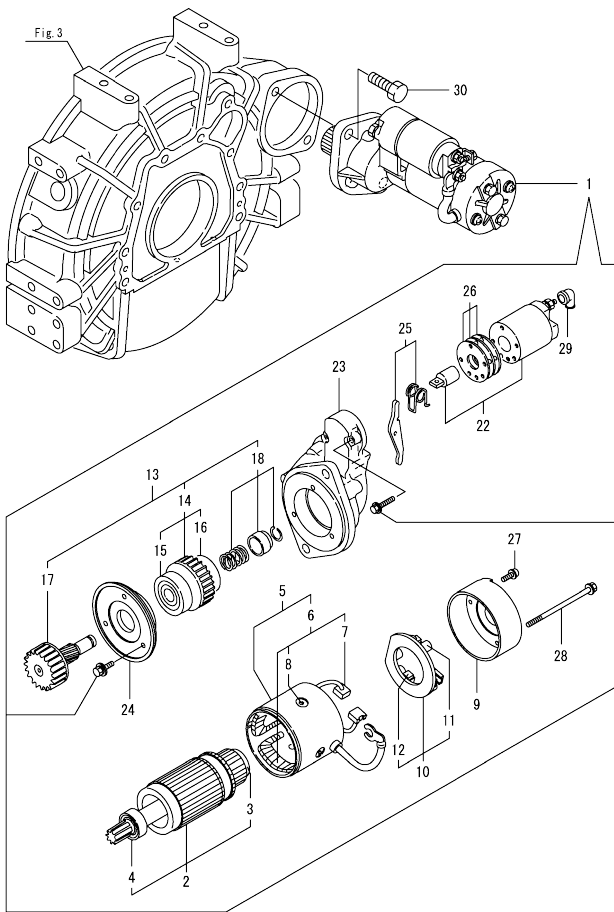
Fig.15. STARTING MOTOR



No.	Lev.	Parts No.	Description	Q'ty						I	R
				(A)	(B)	(C)	(D)	(E)	(F)		
1	1	129900-77010	STARTER ASSY	1							
2	2	129900-77400	ARMATURE ASSY	1							
3	3	X2114155110	BEARING, BALL	1							
4	3	X2114255110	BEARING, BALL	1							
5	2	129900-77440	COIL ASSY, FIELD	1							
6	3	171008-77450	SCREW, CORE SET	4							
7	3	129900-77450	BRUSH	2							
8	2	129900-77480	HOLDER ASSY, BRUSH	1							
9	3	129900-77450	BRUSH	2							
10	3	X2130631300	SPRING, BRUSH	4							
11	2	129900-77460	COVER	1							
12	2	129900-77591	SWITCH ASSY, MAGNET	1							
13	2	129900-77620	LEVER SET	1							
14	2	129900-77650	COVER KIT, DUST	1							
15	2	129900-77640	BOLT, THROUGH	2							
16	2	129900-77700	CASE ASSY, GEAR	1							
17	3	129900-77510	PINION ASSY, W/CLUTCH	1							
18	4	129900-77540	SHAFT, PINION	1							
19	4	129900-77550	STOPPER SET, PINION	1							
20	4	129900-77520	CLUTCH ASSY	1							
21	4	171008-77730	BEARING, BALL	1							
22	4	171008-77740	BEARING, BALL	1							
23	4	129900-77610	RETAINER, BEARING	1							
24	3	129900-77710	CASE, GEAR	1							
25	2	171008-77750	COVER, TERMINAL	1							
26	1	26116-120302	BOLT, M12X 30 PLATED	2							

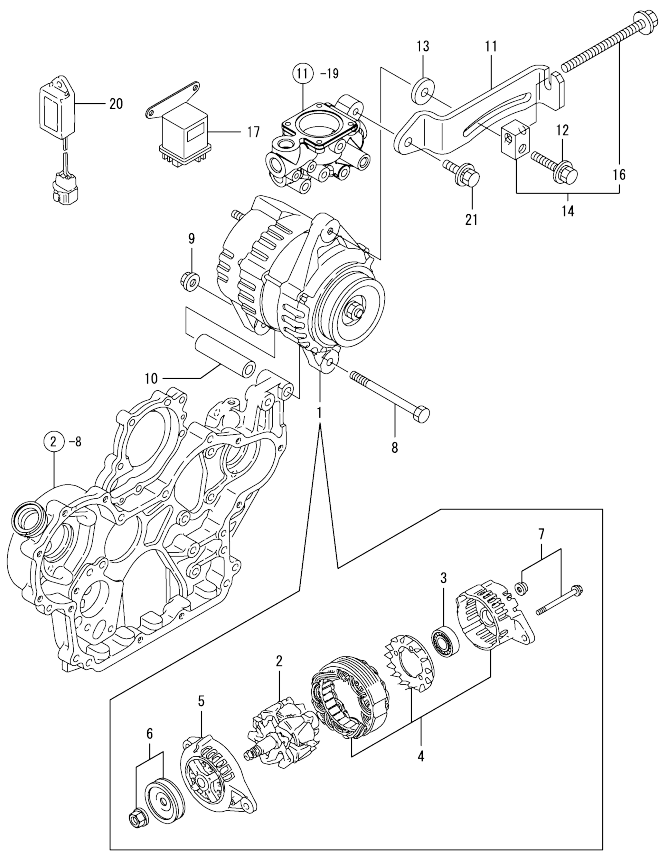
N:Old $\frac{100}{100}$ New, Q:Old $\frac{100}{100}$ New, R:Old $\frac{100}{100}$ New, S:Old $\frac{100}{100}$ New, W:Add, Z:Discontinued, F:Interchangeable by set, K:Q'ty Change
 Copyright (C) YANMAR CO., LTD. All Rights Reserved.

Fig.18. (15A)STARTING MOTOR



No.	Lev.	Parts No.	Description	Q'ty						I	R
				(A)	(B)	(C)	(D)	(E)	(F)		
1	1	129900-77040	STARTER ASSY	1							
2	2	129900-77120	ARMATURE ASSY	1							
3	3	171008-77410	BEARING, BALL	1							
4	3	171008-77420	BEARING, BALL	1							
5	2	129900-77130	YOKE ASSY	1							
6	3	129900-77140	COIL ASSY, FIELD	1							
7	4	129900-77450	BRUSH	2							
8	4	171008-77450	SCREW, CORE SET	4							
9	2	129900-77150	COVER	1							
10	2	129900-77160	HOLDER ASSY, BRUSH	1							
11	3	X2130631300	SPRING, BRUSH	4							
12	3	129900-77450	BRUSH	2							
13	2	129900-77170	CLUTCH ASSY	1							
14	3	129900-77180	CLUTCH ASSY	1							
15	4	129900-77190	BEARING, BALL	1							
16	4	X2114955020	BEARING, BALL	1							
17	3	129900-77270	SHAFT, PINION	1							
18	3	171008-77670	STOPPER SET, PINION	1							
22	2	129900-77280	SWITCH ASSY, MAGNET	1							
23	2	129900-77290	CASE, GEAR	1							
24	2	129900-77380	RETAINER, BEARING	1							
25	2	129900-77390	LEVER ASSY, SHIFT	1							
26	2	129900-77420	COVER KIT, DUST	1							
27	2	129900-77430	SCREW, M4X10	2							
28	2	129685-77640	BOLT, THROUGH	2							
29	2	171008-77750	COVER, TERMINAL	1							
30	1	26116-120302	BOLT, M12X 30 PLATED	2							

Fig.16. GENERATOR

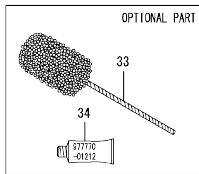
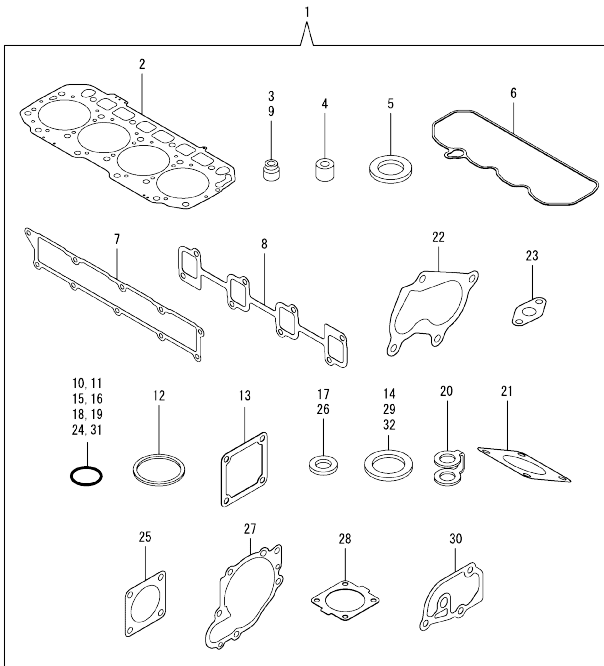


(A)=4TNV98T-NIR
(B)=
(C)=

(D)=
(E)=
(F)=

No.	Lev.	Parts No.	Description	Q'ty					
				(A)	(B)	(C)	(D)	(E)	(F)
1	1	123900-77210	ALTERNATOR, 12V-60A	1					
2	2	123900-77700	ROTOR ASSY	1					
3	2	129612-77710	BEARING, BALL	1					
4	2	123900-77720	BRACKET ASSY	1					
5	2	123900-77730	BRACKET ASSY	1					
6	2	123900-77740	PULLEY, GENERATOR	1					
7	2	123900-77750	SCREW KIT	1					
8	1	26116-101202	BOLT, M10X120 PLATED	1					
9	1	26306-100002	NUT, M10	1					
10	1	129470-77340	PIECE, DISTANCE	1					
11	1	129953-77300	ADJUSTER	1					
12	1	26014-080452	BOLT, M8X 45	1					
13	1	121236-77340	SPACER	1					
14	1	119624-77350	BLOCK, ADJUSTER	1					
16	2	26106-081004	BOLT, M8X100 PLATED	1					
17	1	119650-77910	RELAY ASSY, GLOW	1					
20	1	129211-77920	TIMER	1					
21	1	26014-080252	BOLT, M8X 25	1					

Fig.17. GASKET SET



(A)=4TNV98T-NIR
(B)=
(C)=

(D)=
(E)=
(F)=

No.	Lev.	Parts No.	Description	Qty						I	R	
				(A)	(B)	(C)	(D)	(E)	(F)			
1	1	729907-92690	GASKET SET	1							1	
2	2	129907-01331	GASKET, HEAD	1								
3	2	124160-11340	SEAL, VALVE STEM	8								
4	2	119802-11870	PROTECTOR, NOZZLE	4								
5	2	119625-11880	SEAT, NOZZLE	4								
6	2	129907-11310	GASKET, BONNET	1								
7	2	129907-12110	GASKET, MANIFOLD	1								
8	2	129900-13251	GASKET, EXH.MANIFOLD	1								
9	2	124950-11340	SEAL, VALVE STEM	8								
10	2	129900-32030	O-RING, P20	2								
11	2	129900-32040	O-RING, P14	1								
12	2	121850-49550	GASKET, THERMOSTAT	1								
13	2	121850-77021	GASKET, AIR HEATER	1								
14	2	124465-44950	GASKET, 16	2								
15	2	24311-000120	O-RING, 1AP12.0	8								
16	2	24311-000320	O-RING, 1AP32.0	2								
17	2	22190-080002	WASHER, SEAL 6	9								
18	2	24351-030750	O-RING, 1A3075	1								
19	2	24321-000600	O-RING, 1AG60.0	1								
20	2	123907-59550	GASKET	5								
21	2	129472-18090	GASKET	1								
22	2	123901-18080	GASKET	1								
23	2	129908-39690	GASKET	1								
24	2	24311-000070	O-RING, 1AP7.0	1								
25	2	124240-01883	GASKET	1								
26	2	22190-220002	WASHER, SEAL 22	1								
27	2	129900-42020	GASKET, WATER PUMP	1								
28	2	121850-49540	GASKET, THERMOSTAT	1								
29	2	23414-080000	GASKET, 8X1.0	3								
30	2	129900-49870	GASKET, THERMOSTAT	1								
31	2	24341-000530	O-RING, 1AS53.0	1								
32	2	23414-100000	GASKET, 10X1.0	2								
33	1	129400-92450	HONE, FLEX	1								1
34	1	977770-01212	GASKET, LIQUID	1								1

Remarks
(1) OPTIONAL PART.

N:Old $\frac{100}{100}$ New, Q:Old $\frac{100}{100}$ New, R:Old $\frac{100}{100}$ New, S:Old $\frac{100}{100}$ New, W:Add, Z:Discontinued, F:Interchangeable by set, K:Qty Change
Copyright (C) YANMAR CO., LTD. All Rights Reserved.

Parts No. Index

Parts No.	Fig. No.	Ref. No.	Parts No.	Fig. No.	Ref. No.	Parts No.	Fig. No.	Ref. No.	Parts No.	Fig. No.	Ref. No.	
105025-59750	14	7	123900-25060	7	10	124950-11340	17	9	129900-21640	8	8	
105582-59150	11	26	123900-42470	11	14	129001-91810	2	14	129900-23000	8	24	
114250-53080	13	5	123900-77210	16	1			15	129900-23200	8	29	
114250-53120	13	9	123900-77700	16	2	129004-55610	14	1	129900-23600	8	30	
114250-53130	13	10	123900-77720	16	4	129005-59830	10	6	129900-23610	8	32	
114250-53140	13	11	123900-77730	16	5			16	129900-23910	8	28	
114250-53210	13	12	123900-77740	16	6	129006-44480	9	4	129900-25100	7	11	
114250-53400	13	13	123900-77750	16	7	129100-01580	2	5	129900-32030	2	12	
119000-39650	10	35	123901-03240	4	67			3			9	15
119006-03090	4	74	123901-03280	4	78	129150-02450	7	4			17	10
119100-11330	4	57	123901-18080	6	2	129150-03100	4	79	129900-32040	2	13	
119131-18320	6	7				129150-11230	4	36			17	11
119225-52102	14	21	123901-39820	10	26			40	129900-34800	9	13	
119285-39610	10	5	123907-11280	4	33			23	129900-35000	9	16	
119305-59120	13	27	123907-11550	4	3	129150-11750	4	37	129900-42020	11	11	
119593-11301	4	28	123907-11601	13	25			41			17	27
119620-11180	4	18	123907-11820	4	12	129150-14200	7	1	129900-49870	11	32	
119624-77350	16	14	123907-11830	4	24	129150-25920	7	14			17	30
119625-11880	4	60	123907-25909	7	17	129150-59131	13	30	129900-77010	15	1	
	17	5	123907-39500	10	14			34	129900-77040	18	1	
119640-01640	3	7	123907-59540	14	13	129211-77920	16	20	129900-77120	18	2	
119650-77910	16	17	123907-59550	14	14	129400-92450	17	33	129900-77130	18	5	
119802-07020	9	23				129410-03990	4	76	129900-77140	18	6	
119802-11870	4	59	123907-59560	14	18	129418-18320	5	9	129900-77150	18	9	
	17	4	123910-44771	11	17	129457-59010	14	4	129900-77160	18	10	
119802-35150	9	22	123910-49600	9	7	129466-49300	9	6	129900-77170	18	13	
119802-39460	10	4	123910-49610	9	9	129470-77340	16	10	129900-77180	18	14	
119802-52110	14	20	123912-33100	9	2	129472-18090	6	6	129900-77190	18	15	
119802-52120	14	22	123915-44741	11	16			17	129900-77270	18	17	
119843-44900	11	37	123951-18220	5	10	129486-59510	14	17	129900-77280	18	22	
119940-39470	10	3	124070-13300	10	23	129486-59551	14	15	129900-77290	18	23	
120130-22301	8	22	124160-01751	2	25	129550-59120	13	31	129900-77380	18	24	
121236-77340	16	13				129612-77710	16	3	129900-77390	18	25	
121252-39150	10	37	124160-11340	4	19	129685-77640	18	28	129900-77400	15	2	
121450-42450	11	36				129900-01200	1	31	129900-77420	18	26	
121520-34810	9	14	124160-11360	4	61	129900-01250	1	5	129900-77430	18	27	
121750-59890	9	10	124223-39900	10	2	129900-01740	2	6	129900-77440	15	5	
			124240-01871	2	26	129900-01780	2	4	129900-77450	15	7	
121850-21130	8	11	124240-01883	2	27	129900-01850	2	29				9
121850-21290	8	5				129900-01870	2	30			18	7
121850-21920	8	6	124411-01780	3	5	129900-02020	1	7				12
121850-49540	11	21	124465-44950	11	38	129900-02340	1	34	129900-77460	15	11	
	17	28				129900-02410	1	10	129900-77480	15	8	
121850-49550	11	22				129900-02930	1	28	129900-77510	15	17	
	17	12	124722-59050	11	43	129900-02940	1	37	129900-77520	15	20	
121850-49810	11	24				129900-13251	5	7	129900-77540	15	18	
121850-77021	5	12						17	129900-77550	15	19	
	17	13	124766-59050	14	5	129900-14100	7	7	129900-77591	15	12	
122780-59100	13	26				129900-21200	8	4	129900-77610	15	23	
123900-13630	5	8	124950-11340	4	20	129900-21600	8	15	129900-77620	15	13	

Parts No. Index

Parts No.	Fig. No.	Ref. No.
129900-77640	15	15
129900-77650	15	14
129900-77700	15	16
129900-77710	15	24
129907-01190	1	33
129907-01331	1	32
	17	2
129907-01950	12	1
129907-01960	12	2
129907-03010	4	51
129907-03060	4	52
129907-03070	4	53
129907-07900	4	1
129907-11100	4	27
129907-11110	4	16
129907-11120	4	17
129907-11250	4	30
129907-11260	4	31
129907-11270	4	32
129907-11310	4	56
	17	6
129907-11341	4	29
129907-11510	4	21
129907-11650	4	34
129907-11660	4	38
129907-11800	4	11
129907-11910	4	64
129907-11920	4	42
129907-11950	4	47
129907-12100	5	1
129907-12110	5	3
	17	7
129907-14400	7	2
129907-21580	8	12
129907-21680	8	9
129907-22050	8	18
129907-39061	10	12
129907-49610	11	40
129907-49620	11	44
129907-49710	11	41
129907-49720	11	45
129907-49730	11	23
129907-49750	11	42
129907-49800	11	19
129907-59140	14	12
129907-59710	13	35
129908-01500	2	8
129908-03099	4	65
129908-03209	4	66
129908-03219	4	68

Parts No.	Fig. No.	Ref. No.
129908-03229	4	69
129908-11320	4	50
129908-11700	4	4
129908-13100	5	6
129908-13660	6	1
129908-14581	7	3
129908-18100	6	3
129908-21000	8	1
129908-22080	8	16
129908-32060	2	11
129908-33010	9	1
129908-33100	9	3
129908-39410	10	29
129908-39690	10	25
	17	23
129908-42100	11	1
129908-49060	9	5
129908-53000	13	2
129908-59810	13	37
129908-59820	13	38
129908-59830	13	39
129908-59840	13	40
129915-77050	5	13
129916-01710	3	6
129916-01790	3	5 -1
129916-01800	2	4 -1
129916-21610	8	10
129916-49530	11	20
129933-55800	14	2
129935-03260	4	71
129935-03270	4	73
129935-18010	6	9
129950-59221	14	10
129953-25300	7	16
129953-77300	16	11
129957-59120	14	6
129960-03990	4	77
129974-18200	5	14
129974-18210	5	15
129974-39060	10	1
129974-39600	10	24
129980-59510	14	11
129981-01600	3	2
129981-59010	14	8
158563-51150	7	18
171008-77410	18	3
171008-77420	18	4
171008-77450	15	6
	18	8
171008-77670	18	18

Parts No.	Fig. No.	Ref. No.
171008-77730	15	21
171008-77740	15	22
171008-77750	15	25
	18	29
171051-01921	1	6
171056-49120	9	25
22190-080002	10	7
		9
		17
		19
		21
	14	19
	17	17
22190-220002	3	9
	17	26
22217-180000	7	19
22252-000300	8	23
22351-030010	10	36
22351-060012	1	11
22512-070140	7	8
	8	7
22857-500100	4	58
23000-022000	4	75
23000-025000	9	11
	10	27
23000-054000	5	11
		16
		16
23387-040800	11	27
23414-080000	11	28
		33
	17	29
23414-100000	10	10
	17	32
23857-030000	10	8
		18
23875-030000	11	29
23876-020000	4	13
23876-030000	1	12
		13
		14
	4	14
24311-000070	2	16
	17	24
24311-000120	4	62
		81
	17	15
24311-000320	2	33
	4	63
	17	16
24321-000600	9	12

Parts No.	Fig. No.	Ref. No.
24321-000600	17	19
24341-000530	8	40
	17	31
24351-030750	2	17
	17	18
25153-004500	11	15
26014-080252	16	21
26014-080452	16	12
26106-060122	11	30
26106-060162	10	28
	13	41
26106-060202	11	31
26106-060302	11	12
26106-080122	3	10
	4	80
	9	21
	10	11
		20
		22
	11	34
26106-080162	2	18
		19
		28
		31
		4
	6	4
	7	9
	12	3
26106-080182	13	42
26106-080202	2	20
26106-080222	12	4
		5
26106-080302	14	3
26106-080352	5	17
26106-080402	2	21
		22
		4
26106-080452	2	23
26106-080552	5	4
	7	15
	11	13
26106-080602	4	45
		46
	11	35
26106-080852	5	5
26106-081004	16	16
26106-100202	12	6
26106-100702	11	18
26116-050102	4	70
26116-101202	16	8

Parts No. Index

Parts No.	Fig. No.	Ref. No.
26116-120302	15	26
	18	30
26206-100352	3	3
26206-100702	3	4
26216-100302	2	10
26226-080222	4	43
26306-080002	4	48
	6	5
		8
26306-100002	2	24
	16	9
26776-180002	7	20
27241-300000	1	15
27241-400000	4	15
27310-070001	4	25
729900-02800	1	25
729906-01550	2	1 -1
729907-01550	2	1
729907-22950	8	36
729907-92690	17	1
729908-01560	1	1
729908-22900	8	34
729908-53100	13	1
729933-51300	12	7
977770-01212	2	32
	3	11
	4	82
	17	34
X2114155110	15	3
X2114255110	15	4
X2114955020	18	16
X2130631300	15	10
	18	11

Parts No.	Fig. No.	Ref. No.
-----------	----------	----------

Parts No.	Fig. No.	Ref. No.
-----------	----------	----------

Parts No.	Fig. No.	Ref. No.
-----------	----------	----------