

0CW10-M17200EN

PREFACE

1. This parts catalog is the 1st edition of 4TNV98T-NKTC for Tong Yang Moolsan Co.,Ltd.

Pub.No. : 000Y00W1720

Published : April,2007

2. Model name

Engine model	Vehicle		Vehicle made by
	Products	Model name	
4TNV98T-NKTC	Combine	C805G	Tong Yang Moolsan Co.,Ltd.

Directions for the Parts Catalog.

1. This Parts Catalog shows both standard and optional parts.
2. Parts may change without prior notice.
3. The following is an example of the Parts Catalog format.

REF.	LEV.	PARTS NO.	DESCRIPTION	Q'TY						I	R
				(A)	(B)	(C)	(D)	(E)	(F)		
1	1	729595-51390	FUEL INJECTION PUMP	1	1	1	1	1			1
1-1	1	729595-51391	FUEL INJECTION PUMP	1	1	1	1	1		N	1
		(A=E00185) (B=E00200)									
3	2	26022-060162	SCREW M 6X 16	9	9	9	9	9			
3-1	2	26022-060162	SCREW M 6X 16	4	4	4	4	4		K	
		(A=E00156) (B=E00156) (C=E00156) (D=E00156) (E=E00156)									
4	2	129470-51040	CAMSHAFT	1	1	1	1	1			
5	2	122710-51050	BEARING, ROLLER	2	2	2	2	2			
6	2	129470-51060	RETAINER	1	1	1	1	1			

Remarks
(1) BOOST COMPEMSATOR TYPE. OPTIONAL PART, TO E00155,(4JH-DT, 4JH-DTZ

① Ref. No.

The Ref. No. listed may not be in accordance with the illustration Ref. No.

(Ex.) Illustration No.

List Ref No.

1 1 (Before change) → 1-1 (After change)

For interchangeable symbols N, R and K, illustrations for new parts may be abbreviated.

② Lev. (Level)

Level indication

The numbers below indicate the level of relativity towards the main part.

1 ---- Main parts (Assembly parts)

2 ---- Sub component included in " 1 ".

3 ---- Sub component included in " 2 ".

Note) Parts that are not for sale are partially illustrated but not listed.

③ Interchangeability Symbol

When a part change takes place, one of the following interchangeability symbols is indicated beside the part.

Symbol	Interchangeability	Contents note
N	Old $\begin{matrix} \leftarrow \text{Yes} \\ \text{No} \rightarrow \end{matrix}$ New	New Part is interchangeable for Old Part but Old Part is not interchangeable for New Part.
Q	Old $\begin{matrix} \leftarrow \text{No} \\ \text{Yes} \rightarrow \end{matrix}$ New	New Part is not interchangeable for Old Part but Old Part is interchangeable for New Part.
R	Old $\begin{matrix} \leftarrow \text{Yes} \\ \text{Yes} \rightarrow \end{matrix}$ New	New/ Old Parts are both interchangeable.
S	Old $\begin{matrix} \leftarrow \text{No} \\ \text{No} \rightarrow \end{matrix}$ New	New/ Old Parts are both not interchangeable.
W		Part newly added.
Z		Part discontinued.
F		Not interchangeable by a single part but interchangeable together with related parts.
K		Changes only for used parts quantities.

④ Effective Machine No.

When a part changes, the effective Machine No. will be indicated in the (A)-(F) column.

Product Symbol	Product No.	Product Symbol	Product No.
C	Clutch No. Compressor No.	F	Machine No. (Agricultural Equip.)
D	Drive No.	M	Machine No.
E	Engine No.		

Note 1) A date may follow the symbol. (Ex.) 1996.01

Note 2) "XXXXX" and "ZZZZZ" are for parts that could not be predicted or for engine models that could not be identified.

Note 3) (A=E00185) is the E (Engine Serial Number) for the column (A) model (in this case 4JH-DT) after the parts design change.

⑤ Remarks

Figures or alphabets (symbols) are entered in the remarks column.

The comments (remarks) on parts that are indicated at the bottom of the illustration are the same symbols as those stated above.

Contents

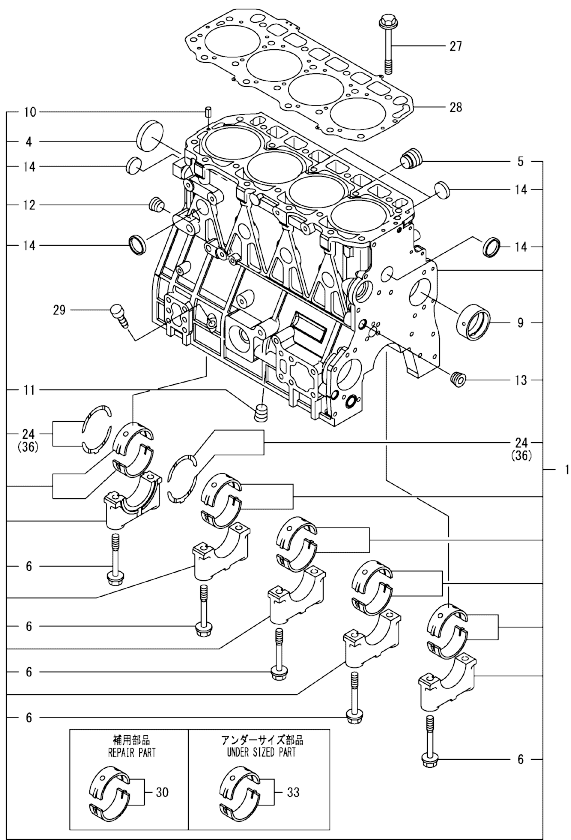
0CW10-M17200

Fig. No.	Fig. Name	Fig. No.	Fig. Name
4TNV98T-NKTC			
1.	CYLINDER BLOCK		
2.	GEAR HOUSING		
3.	OIL SUMP		
4.	CYLINDER HEAD & BONNET		
5.	SUCTION MANIFOLD		
6.	EXHAUST MANIFOLD		
7.	CAMSHAFT & DRIVING GEAR		
8.	TURBINE		
9.	CRANKSHAFT & PISTON		
10.	LUB.OIL SYSTEM		
11.	LUB.OIL LINE		
12.	COOLING WATER SYSTEM		
13.	FUEL INJECTION PUMP		
14.	GOVERNOR		
15.	FUEL INJECTION VALVE		
16.	FUEL LINE		
17.	STARTING MOTOR		
18.	GENERATOR		
19.	GASKET SET		

Fig.1. CYLINDER BLOCK

(A)=4TNV98T-NKTC
(B)=
(C)=

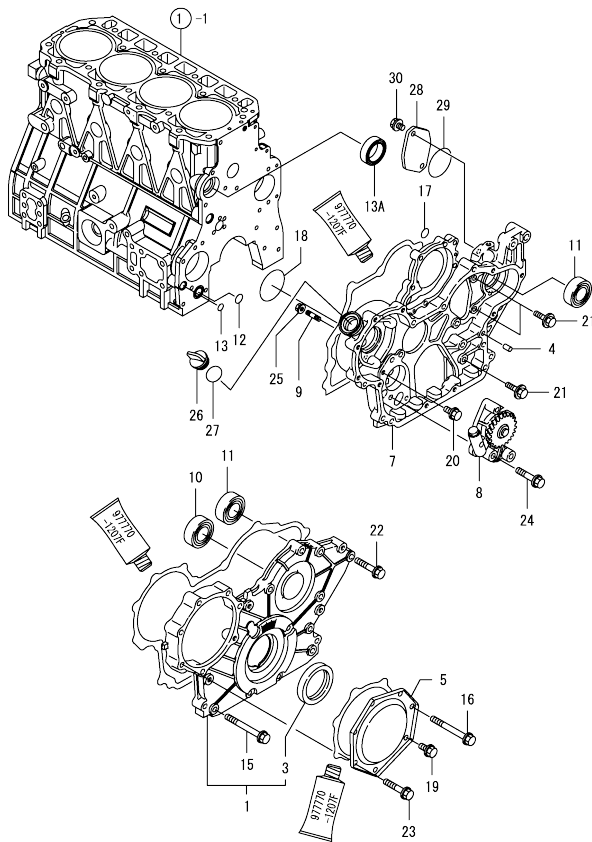
(D)=
(E)=
(F)=



No.	Lev.	Parts No.	Description	Q'ty						I	R
				(A)	(B)	(C)	(D)	(E)	(F)		
1	1	729908-01560	BLOCK ASSY, CYLINDER	1							
4	2	129900-01250	PLUG, DISH TYPE 55	1							
5	2	171051-01921	PLUG, NPTF1	1							
6	2	129900-02020	BOLT, METAL CAP	10							
9	2	129900-02410	BUSH, CAMSHAFT	1							
10	2	22351-060012	PIN, SPRING 6.0X12	2							
11	2	23876-030000	PLUG, R03	1							
12	2	23876-030000	PLUG, R03	1							
13	2	23876-030000	PLUG, R03	1							
14	2	27241-300000	PLUG 30	8							
24	2	129900-02931	BEARING ASSY, THRUST	2							
27	1	129900-01200	BOLT, CYLINDER HEAD	18							
28	1	129907-01331	GASKET, HEAD	1							
29	1	124976-34850	PLUG	1							
30	1	729900-02801	BEARING, MAIN	5							1
33	1	129900-02341	BEARING ASSY, MAIN	5							2
36	1	129900-02941	BEARING, THRUST 0.25	2							3

Remarks
(1) REPAIR PART.
(2) UNDER-SIZED(U.S=0.25)PART.
(3) OVER-SIZED(O.S=0.25)PART.

Fig.2. GEAR HOUSING

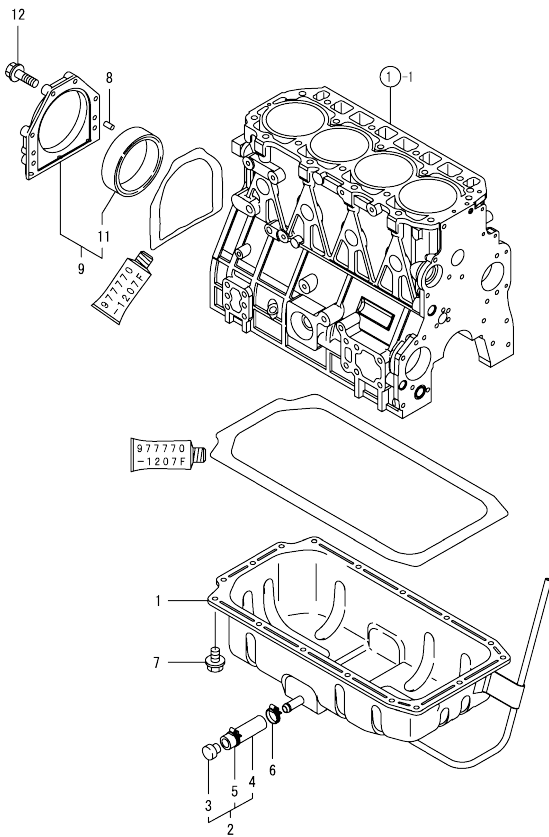


(A)=4TNV98T-NKTC
(B)=
(C)=

(D)=
(E)=
(F)=

No.	Lev.	Parts No.	Description	Qty						I	R	
				(A)	(B)	(C)	(D)	(E)	(F)			
1	1	729907-01540	COVER ASSY,GEAR CASE	1								
3	2	129900-01780	SEAL, OIL	1								
4	1	129100-01580	PIN, PARALLEL 8X16	4								
5	1	129900-01740	COVER	1								
7	1	129933-01500	CASE, GEAR	1								
8	1	129908-32060	PUMP ASSY, OIL	1								
9	1	26216-100302	STUD, M10X 30	4								
10	1	129900-14140	BEARING, BALL 6205	1								
11	1	129900-26250	BEARING, BALL 6206C3	2								
12	1	129900-32030	O-RING, P20	1								
13	1	129900-32040	O-RING, P14	1								
13A	1	129927-42140	GASKET, PUMP OUTLET	1								W
(A="2014.09)												
15	1	129001-91810	BOLT, M8X70	6								
16	1	129001-91810	BOLT, M8X70	1								
17	1	24311-000070	O-RING, 1AP7.0	1								
18	1	24351-030750	O-RING, 1A3075	1								
19	1	26106-080162	BOLT, M8X 16 PLATED	1								
20	1	26106-080162	BOLT, M8X 16 PLATED	1								
21	1	26106-080202	BOLT, M8X 20 PLATED	3								
22	1	26106-080402	BOLT, M8X 40 PLATED	5								
23	1	26106-080402	BOLT, M8X 40 PLATED	5								
24	1	26106-080452	BOLT, M8X 45 PLATED	3								
25	1	26306-100002	NUT, M10	4								
26	1	124160-01751	CAP, FILLER	1								
27	1	24311-000320	O-RING, 1AP32.0	1								
28	1	121023-26070	COVER, PUMP	1								
29	1	24321-000850	O-RING, 1AG85.0	1								
30	1	26106-100202	BOLT, M10X 20 PLATED	2								

Fig.3. OIL SUMP

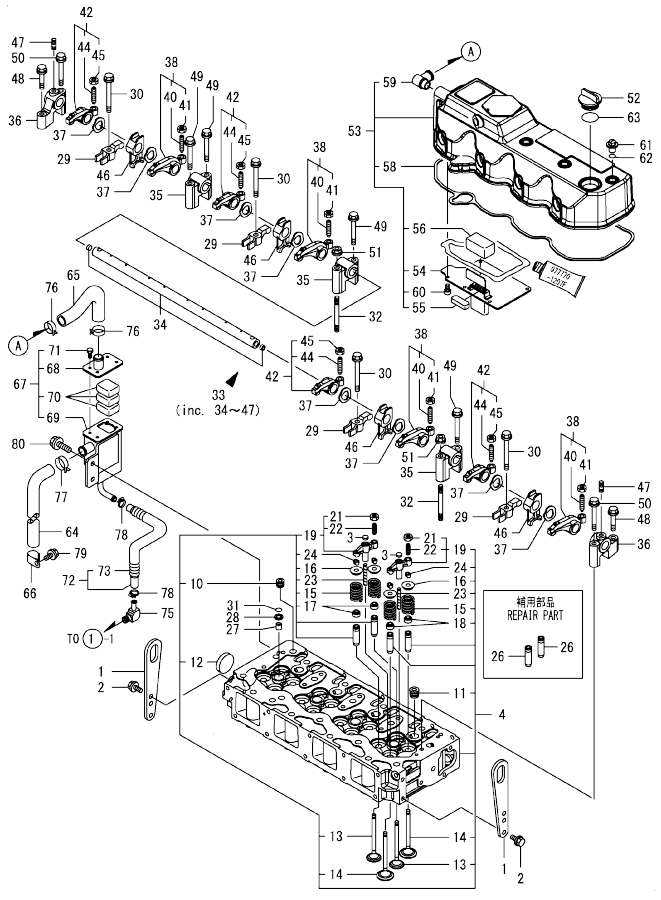


(A)=4TNV98T-NKTC
(B)=
(C)=

(D)=
(E)=
(F)=

No.	Lev.	Parts No.	Description	Q'ty						I	R
				(A)	(B)	(C)	(D)	(E)	(F)		
1	1	129974-01740	SUMP ASSY, OIL	1							
2	1	119540-39950	HOSE ASSY, OIL DRAIN	1							
3	2	119656-39930	PLUG, DRAIN M14	1							
4	2	119540-39960	HOSE, DRAIN	1							
5	2	23001-022000	CLAMP, HOSE 22	1							
6	1	23001-022000	CLAMP, HOSE 22	1							
7	1	26106-080122	BOLT, M8X 12 PLATED	16							
8	1	129100-01580	PIN, PARALLEL 8X16	2							
9	1	129960-01640	CASE ASSY, OIL SEAL	1							
9-1	1	129960-01690	CASE ASSY, OIL SEAL	1							N
(A=EZZZZZ)											
11	2	124411-01780	SEAL, HTC95X115X12	1							
12	1	129486-01670	BOLT, M8X30	6							

Fig.4. CYLINDER HEAD & BONNET



(A)=4TNV98T-NKTC
(B)=
(C)=

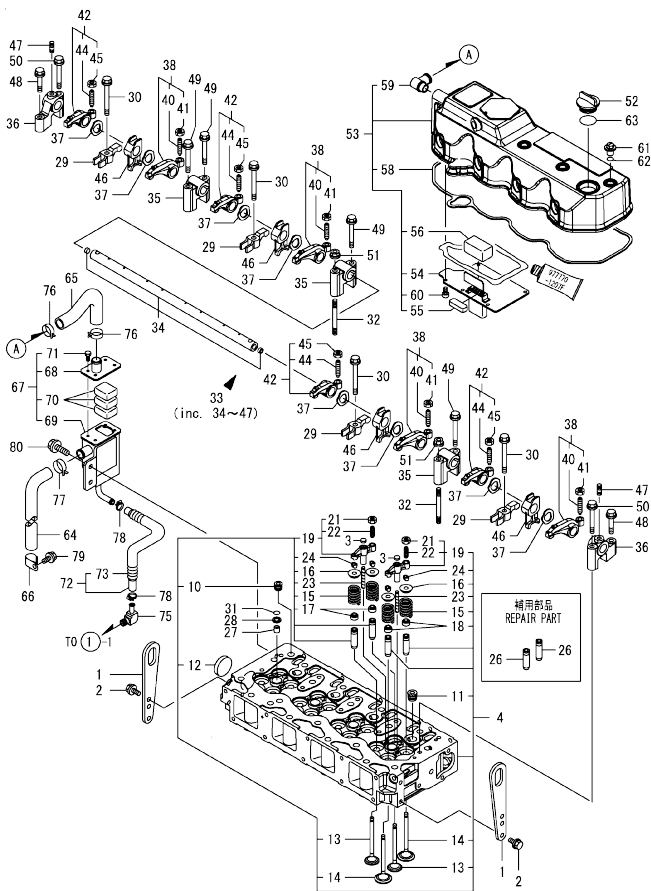
(D)=
(E)=
(F)=

No.	Lev.	Parts No.	Description	Q'ty						I	R
				(A)	(B)	(C)	(D)	(E)	(F)		
1	1	129907-07900	LIFTER, ENGINE	2							
2	1	26106-080162	BOLT, M8X 16 PLATED	4							
3	1	123907-11550	SEAT, VALVE BRIDGE	8							
4	1	129908-11700	HEAD ASSY, CYLINDER	1							
10	2	23876-020000	PLUG, R02	1							
11	2	23876-030000	PLUG, R03	4							
12	2	27241-400000	PLUG, 40	1							
13	2	129907-11100	VALVE, SUCTION	8							
14	2	129907-11110	VALVE, EXHAUST	8							
15	2	129907-11120	SPRING, VALVE	16							
16	2	119620-11180	RETAINER, SPRING	16							
17	2	119803-11340	SEAL, VALVE STEM	8							
18	2	124160-11340	SEAL, VALVE STEM	8							
19	2	129907-11510	BRIDGE ASSY, VALVE	8							
21	3	129150-11750	NUT, M8	8							
22	3	123907-11830	ADJUSTER	8							
23	2	123907-11820	GUIDE, BRIDGE	8							
24	2	27310-070001	COTTER, 7	16							
26	1	129907-11800	GUIDE, VALVE	16							1
27	1	119802-11870	PROTECTOR, NOZZLE	4							
28	1	119625-11880	SEAT, NOZZLE	4							
29	1	129907-11910	RETAINER, NOZZLE	4							
30	1	129907-11950	BOLT, M8X75	4							
31	1	24311-000120	O-RING, 1AP12.0	4							
32	1	119593-11301	BOLT, STUD M8X80	2							
33	1	129907-11341	SHAFT ASSY, ROCKER	1							
34	2	129907-11250	SHAFT, ROCKER ARM	1							
35	2	129907-11260	SUPPORT, ROCKER ARM	3							
36	2	129907-11270	SUPPORT, ROCKER ARM	2							
37	2	123907-11280	WASHER	8							
38	2	129907-11650	ARM ASSY, ROCKER	4							
40	3	129150-11230	SCREW, VALVE ADJUST	4							
41	3	129150-11750	NUT, M8	4							
42	2	129907-11660	ARM ASSY, ROCKER	4							
44	3	129150-11230	SCREW, VALVE ADJUST	4							
45	3	129150-11750	NUT, M8	4							
46	2	129907-11920	RETAINER, NOZZLE	4							
47	2	26226-080222	STUD, M8X 22	2							
48	1	26106-080402	BOLT, M8X 40 PLATED	2							
49	1	26106-080602	BOLT, M8X 60 PLATED	4							
50	1	26106-080602	BOLT, M8X 60 PLATED	2							
51	1	26306-080002	NUT, M8	2							
52	1	124160-01751	CAP, FILLER	1							
53	1	129933-11320	BONNET ASSY, HEAD	1							
54	2	129907-03011	PLATE, BAFFLE	1							
55	2	129907-03061	BAFFLE, BREATHER	1							
56	2	129907-03070	BAFFLE, BREATHER	1							
58	2	129933-11310	GASKET, BONNET	1							
59	2	119100-11330	ELBOW, BREATHER	1							
60	2	22857-500100	SCREW, 5X10	6							
61	1	124160-11360	KNOB	4							

Remarks
(1) REPAIR PART.

N:Old $\frac{New}{Old}$ New, Q:Old $\frac{New}{Old}$ New, R:Old $\frac{New}{Old}$ New, S:Old $\frac{New}{Old}$ New, W:Add, Z:Discontinued, F:Interchangeable by set, K:Q'ty Change
++ CONTINUE ++
Copyright (C) YANMAR GLOBAL CS CO., LTD. All Rights Reserved.

Fig.4. CYLINDER HEAD & BONNET



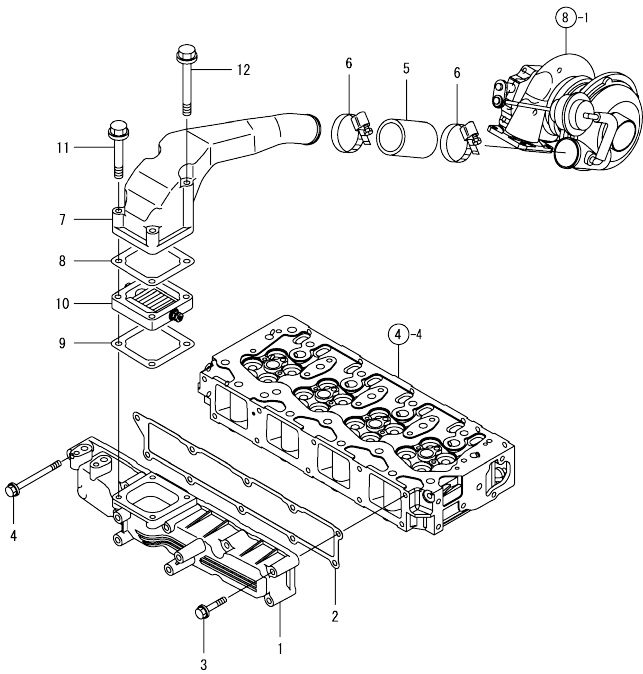
(A)=4TNV98T-NKTC
(B)=
(C)=

(D)=
(E)=
(F)=

No.	Lev.	Parts No.	Description	Q'ty						I	R
				(A)	(B)	(C)	(D)	(E)	(F)		
62	1	24311-000120	O-RING, 1AP12.0	4							
63	1	24311-000320	O-RING, 1AP32.0	1							
64	1	119006-03090	HOSE, BREATHER	1							
65	1	129908-03099	HOSE, BREATHER	1							
66	1	129150-03100	RETAINER, PIPE	1							
67	1	129908-03209	BREATHER ASSY	1							
68	2	129908-03219	COVER, BREATHER	1							
69	2	129908-03229	BREATHER	1							
70	2	123901-03240	FILTER	3							
71	2	26116-050102	BOLT, M5X 10 PLATED	4							
72	1	129935-03260	HOSE ASSY, RETURN	1							
73	2	129935-03270	TUBE, CORRUGATED	1							
75	1	123901-03280	ELBOW, PT3/8-10	1							
76	1	129410-03990	CLAMP, HOSE 21.5	2							
77	1	129960-03990	CLAMP, HOSE 19.8	1							
78	1	23000-022000	CLAMP, 22	2							
79	1	26106-080122	BOLT, M8X 12 PLATED	1							
80	1	26106-080142	BOLT, M8X 14 PLATED	2							

Remarks
(1) REPAIR PART.

Fig.5. SUCTION MANIFOLD

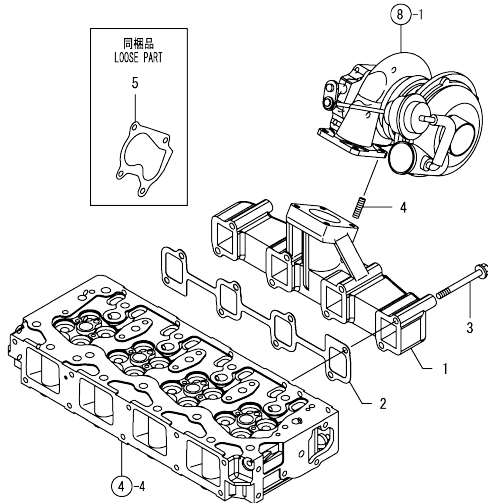


(A)=4TNV98T-NKTC
(B)=
(C)=

(D)=
(E)=
(F)=

No.	Lev.	Parts No.	Description	Q'ty						I	R
				(A)	(B)	(C)	(D)	(E)	(F)		
1	1	129907-12100	MANIFOLD, AIR INTAKE	1							
2	1	129907-12110	GASKET, MANIFOLD	1							
3	1	26106-080552	BOLT, M8X 55 PLATED	9							
4	1	26106-080852	BOLT, M8X 85 PLATED	1							
5	1	123951-18220	JOINT, RUBBER	1							
6	1	23000-054000	CLAMP, 54	2							
7	1	129908-18350	DUCT, AIR	1							
8	1	119129-77020	GASKET	1							
9	1	121850-77021	GASKET, AIR HEATER	1							
10	1	119005-77050	HEATER, AIR	1							
11	1	26106-080702	BOLT, M8X 70 PLATED	2							
12	1	26106-081202	BOLT, M8X120 PLATED	2							

Fig.6. EXHAUST MANIFOLD

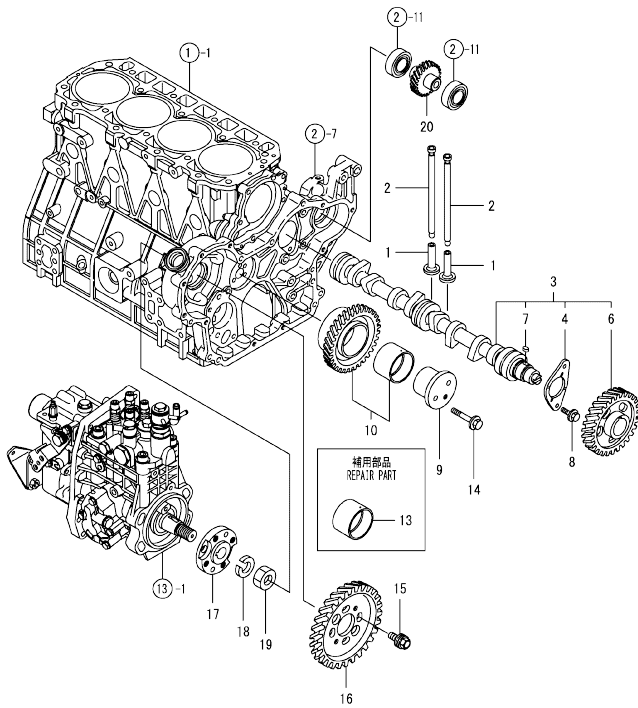


(A)=4TNV98T-NKTC
(B)=
(C)=

(D)=
(E)=
(F)=

No.	Lev.	Parts No.	Description	Q'ty					
				(A)	(B)	(C)	(D)	(E)	(F)
1	1	129908-13100	MANIFOLD, EXHAUST	1					
2	1	129900-13251	GASKET, EXH.MANIFOLD	1					
3	1	123900-13630	BOLT, M8X80	8					
4	1	129418-18320	BOLT, STUD M8X20	4					
5	1	123901-18080	GASKET	1					

Fig.7. CAMSHAFT & DRIVING GEAR



(A)=4TNV98T-NKTC
(B)=
(C)=

(D)=
(E)=
(F)=

No.	Lev.	Parts No.	Description	Q'ty						I	R
				(A)	(B)	(C)	(D)	(E)	(F)		
1	1	129150-14200	TAPPET	8							
2	1	129907-14400	PUSH-ROD	8							
3	1	129908-14581	CAMSHAFT ASSY	1							
4	2	129150-02450	BEARING, THRUST	1							
6	2	129900-14100	GEAR, CAMSHAFT	1							
7	2	22512-070140	KEY, 7X 14	1							
8	1	26106-080162	BOLT, M8X 16 PLATED	2							
9	1	123900-25060	SHAFT, IDLE GEAR	1							
10	1	129900-25100	GEAR ASSY, IDLE	1							
13	1	129150-25920	BUSH, IDLE GEAR	1							1
14	1	26106-080552	BOLT, M8X 55 PLATED	3							
15	1	129953-25300	BOLT	4							
16	1	129907-25900	GEAR, PUMP	1							
17	1	158563-51150	FLANGE	1							
18	1	22217-180000	WASHER, SPRING 18	1							
19	1	26776-180002	NUT, LOCK M18	1							
20	1	129900-26000	GEAR ASSY, PUMP	1							

Remarks
(1) REPAIR PART.

Fig.8. TURBINE

(A)=4TNV98T-NKTC
(B)=
(C)=

(D)=
(E)=
(F)=

No.	Lev.	Parts No.	Description	Q'ty					
				(A)	(B)	(C)	(D)	(E)	(F)
1	1	129908-18010	TURBOCHARGER, RHF5	1					
2	1	129472-18090	GASKET	1					
3	1	26306-080002	NUT, M8	4					

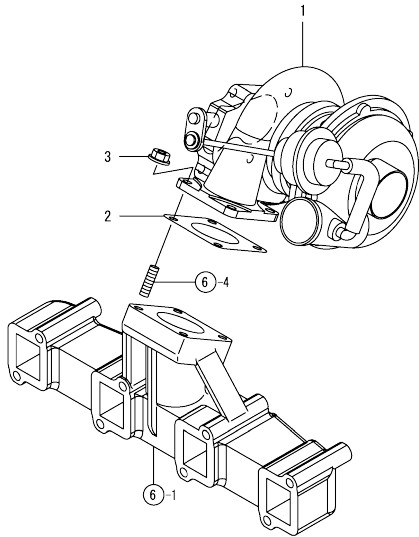
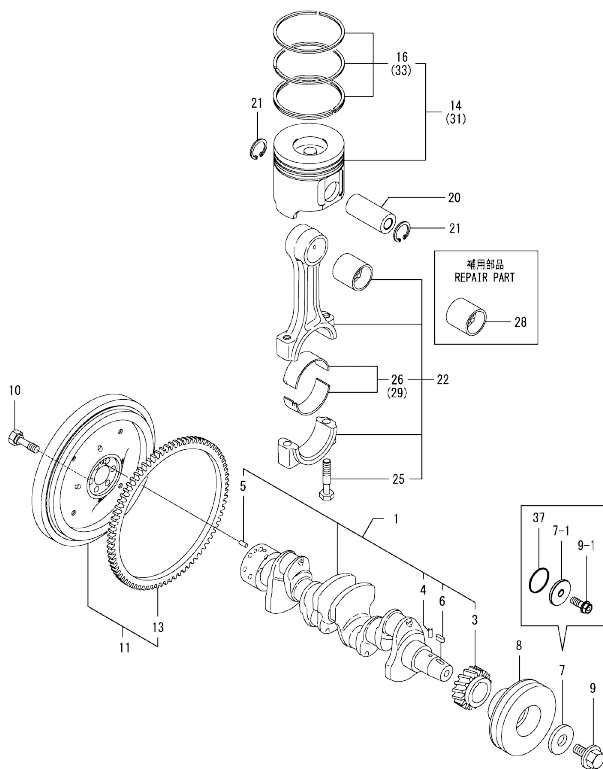


Fig.9. CRANKSHAFT & PISTON



(A)=4TNV98T-NKTC
(B)=
(C)=

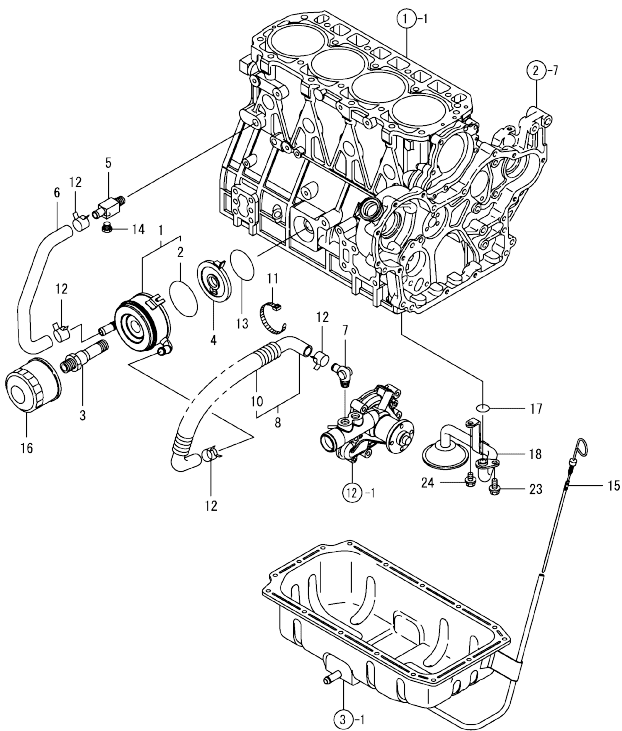
(D)=
(E)=
(F)=

No.	Lev.	Parts No.	Description	Q'ty						I	R
				(A)	(B)	(C)	(D)	(E)	(F)		
1	1	129908-21000	CRANKSHAFT ASSY	1							
3	2	129900-21200	GEAR, CRANKSHAFT	1							
4	2	121850-21290	PIN	1							
5	2	121850-21920	PIN, PARALLEL 10X22	1							
6	2	22512-070140	KEY, 7X 14	1							
7	1	129900-21640	WASHER	1							
7-1	1	129960-21940	WASHER, V-PULLEY	1							N
8	1	129907-21660	V-PULLEY, CRANK 130	1							
9	1	121850-21680	BOLT	1							
9-1	1	129916-21610	BOLT, V-PULLEY	1							N
10	1	121850-21130	BOLT, FLYWHEEL	6							
11	1	129960-21590	FLYWHEEL ASSY	1							
13	2	129900-21600	GEAR, RING	1							
14	1	129908-22080	PISTON ASSY	4							
16	2	129907-22050	RING SET, PISTON	4							
20	1	120130-22301	PIN, PISTON	4							
21	1	22252-000300	RING, 30	8							
22	1	129900-23001	ROD ASSY, CONNECTING	4							
25	2	129900-23200	BOLT, CONNECTING ROD	8							
26	2	129900-23601	BEARING, CRANK PIN	4							
28	1	129900-23911	BEARING, PISTON PIN	4							1
29	1	129900-23611	BEARING ASSY, 0.25US	4							2
31	1	729908-22900	PISTON ASSY, 0.25 OS	4							3
33	2	729907-22950	RING SET, 0.25 OS	4							3
37	1	129960-21930	GASKET, WASHER	1							W

(A=2018.08)

Remarks
(1) REPAIR PART.
(2) UNDER-SIZED(U.S=0.25)PART.
(3) OVER-SIZED(O.S=0.25)PART.

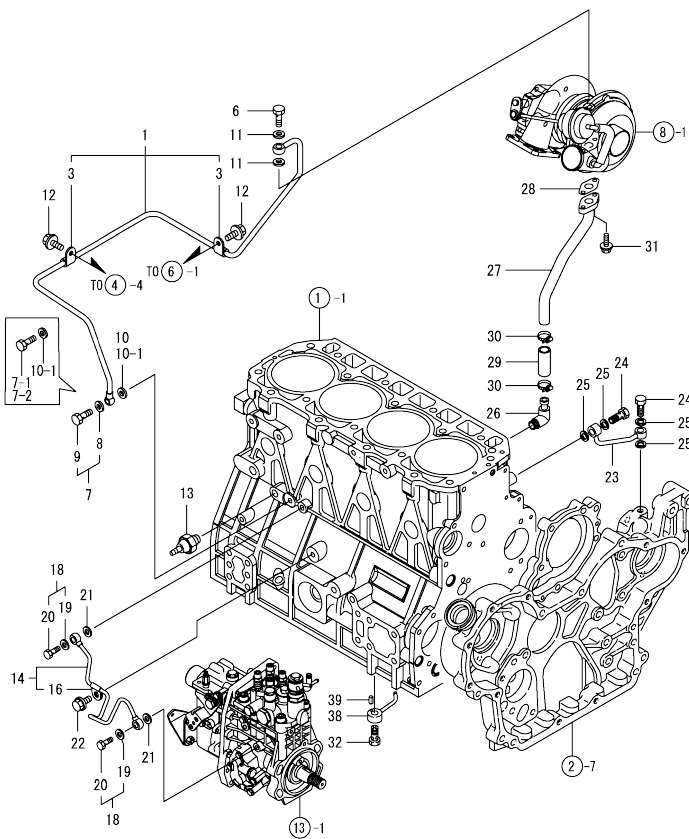
Fig.10. LUB.OIL SYSTEM



No.	Lev.	Parts No.	Description	Q'ty						I	R
				(A)	(B)	(C)	(D)	(E)	(F)		
1	1	129908-33010	COOLER ASSY, OIL	1							
2	2	123912-33050	O-RING	1							
3	1	123912-33100	BOLT, COOLER	1							
4	1	129908-33101	BRACKET, OIL COOLER	1							
5	1	129006-44480	JOINT	1							
6	1	129908-49060	HOSE, WATER	1							
7	1	129466-49300	ELBOW, PT3/8	1							
8	1	123910-49600	HOSE ASSY WATER	1							
10	2	123910-49610	TUBE, CORRUGATED	1							
11	1	121750-59890	BAND, NYLON	1							
12	1	23000-025000	CLAMP, 25	4							
13	1	24321-000600	O-RING, 1AG60.0	1							
14	1	171056-49120	PLUG, DRAIN R1/4	1							
15	1	129961-34810	DIPSTICK, OIL	1							
16	1	129150-35153	FILTER ASSY, D80X80L	1							1
17	1	129900-32030	O-RING, P20	1							
18	1	129930-35000	PIPE ASSY, OIL INLET	1							
23	1	26106-080122	BOLT, M8X 12 PLATED	1							
24	1	26106-080122	BOLT, M8X 12 PLATED	1							

Remarks
(1) REPAIR PART.

Fig.11. LUB.OIL LINE

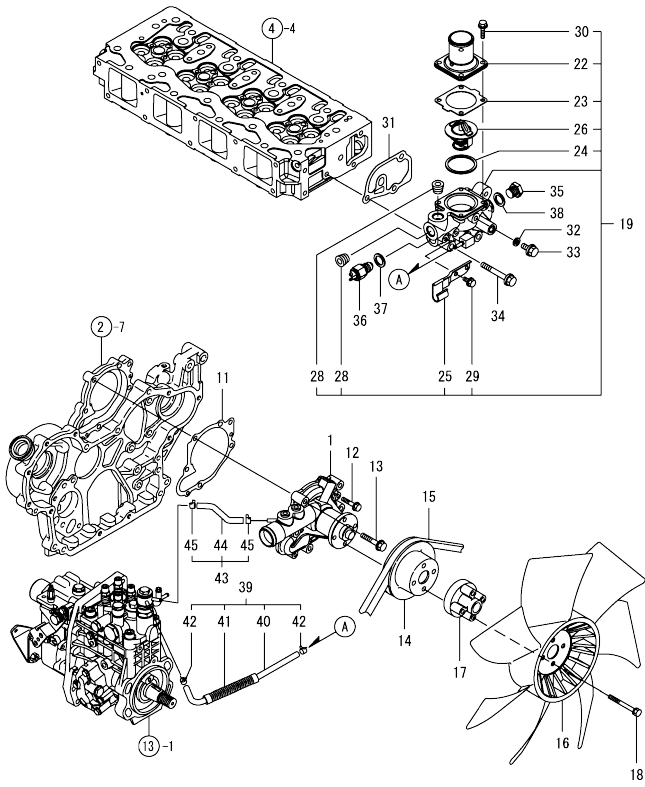


(A)=4TNV98T-NKTC
(B)=
(C)=

(D)=
(E)=
(F)=

No.	Lev.	Parts No.	Description	Q'ty						I	R
				(A)	(B)	(C)	(D)	(E)	(F)		
1	1	129908-39070	PIPE ASSY, OIL	1							
3	2	124223-39900	RETAINER	2							
6	1	121252-39150	BOLT, JOINT M10X1.5	1							
7	1	129005-59830	BOLT ASSY, JOINT M8	1							
7-1	1	105010-39140	BOLT, PIPE JOINT M8	1							S
(A=E42068)											
7-2	1	129198-59540	BOLT, PIPE JOINT M8	1							S
(A=2020.06)											
8	2	22190-080002	WASHER, SEAL 6	1							Z
(A=E42068)											
9	2	23857-030000	BOLT, JOINT 3	1							Z
(A=E42068)											
10	1	22190-080002	WASHER, SEAL 6	1							
10-1	1	22190-080002	WASHER, SEAL 8	2							K
(A=E42068)											
11	1	23414-100000	GASKET, 10X1.0	2							
12	1	26106-080122	BOLT, M8X 12 PLATED	2							
13	1	114250-39450	SWITCH, HYDRAULIC	1							
14	1	129907-39061	PIPE ASSY, OIL	1							
16	2	123907-39500	RETAINER, PIPE	1							
18	1	129005-59830	BOLT ASSY, JOINT M8	2							
19	2	22190-080002	WASHER, SEAL 6	2							
20	2	23857-030000	BOLT, JOINT 3	2							
21	1	22190-080002	WASHER, SEAL 6	2							
22	1	26106-080122	BOLT, M8X 12 PLATED	1							
23	1	129930-39050	PIPE, OIL	1							
24	1	105010-39140	BOLT, PIPE JOINT	2							
25	1	22190-080002	WASHER, SEAL 6	4							
26	1	124070-13300	ELBOW, PT3/8	1							
27	1	129908-39610	PIPE, OIL	1							
28	1	129908-39690	GASKET	1							
29	1	123901-39820	HOSE, LO RETURN	1							
30	1	23000-025000	CLAMP, 25	2							
31	1	26106-060162	BOLT, M6X 16 PLATED	2							
32	1	129908-39410	VALVE ASSY, CHECK	4							
38	1	119000-39650	NOZZLE, COOLING	4							
39	1	22351-030010	PIN, SPRING 3.0X10	4							

Fig.12. COOLING WATER SYSTEM

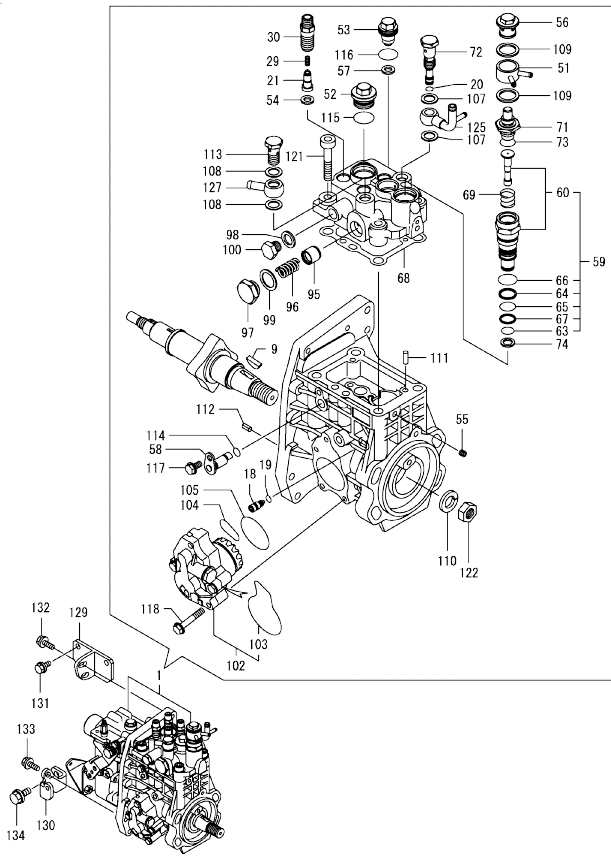


(A)=4TNV98T-NKTC
(B)=
(C)=

(D)=
(E)=
(F)=

No.	Lev.	Parts No.	Description	Qty						I	R
				(A)	(B)	(C)	(D)	(E)	(F)		
1	1	129907-42000	PUMP ASSY, WATER	1							
11	1	129900-42020	GASKET, WATER PUMP	1							
12	1	26106-060302	BOLT, M6X 30 PLATED	2							
13	1	26106-080552	BOLT, M8X 55 PLATED	5							
14	1	129930-42450	V-PULLEY, C.W.PUMP	1							
15	1	25152-004150	V-BELT, A41.5	1							
16	1	129907-44740	FAN, COOLING D430X7	1							
17	1	119141-44760	SPACER, FAN	1							
18	1	26013-080552	BOLT, SPRING M8X 55	4							
19	1	129907-49800	CASE ASSY, THERMOSTAT	1							
22	2	129916-49530	COVER, THERMOSTAT	1							
23	2	121850-49540	GASKET, THERMOSTAT	1							
24	2	121850-49550	GASKET, THERMOSTAT	1							
25	2	129907-49730	RETAINER, PIPE	1							
26	2	121850-49810	THERMOSTAT, 71C	1							
28	2	23875-030000	PLUG, R03	2							
29	2	26106-060122	BOLT, M6X 12 PLATED	1							
30	2	26106-060202	BOLT, M6X 20 PLATED	4							
31	1	129900-49870	GASKET, THERMOSTAT	1							
32	1	23414-080000	GASKET, 8X1.0	1							
33	1	26106-080122	BOLT, M8X 12 PLATED	1							
34	1	26106-080602	BOLT, M8X 60 PLATED	3							
35	1	121450-42450	PLUG, M16	1							
36	1	121250-44901	SWITCH, THERMO 110	1							
37	1	124465-44950	GASKET, 16	1							
38	1	124465-44950	GASKET, 16	1							
39	1	129907-49610	HOSE ASSY, WATER	1							
40	2	129907-49710	HOSE, WATER	1							
41	2	129907-49750	TUBE, CORRUGATED	1							
42	2	124722-59050	CLAMP, HOSE 9	2							
43	1	129907-49620	HOSE ASSY, WATER	1							
44	2	129907-49720	HOSE, WATER	1							
45	2	124722-59050	CLAMP, HOSE 9	2							

Fig.13. FUEL INJECTION PUMP

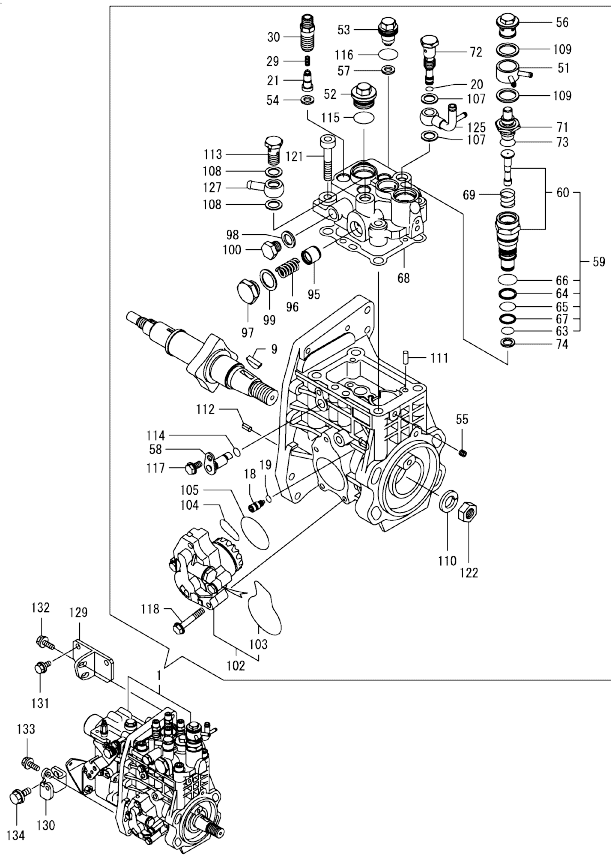


Remarks
 (1) GOVERNOR ASSY(FIG.14) IS
 INCORPORATED IN THIS FOP.CMP
 (REF.NO.1).

No.	Lev.	Parts No.	Description	Q'ty						I	R
				(A)	(B)	(C)	(D)	(E)	(F)		
1	1	729974-51340	PUMP ASSY, INJECTION	1							1
9	2	144626-51090	FEATHER KEY, 5X19	1							
18	2	158600-51270	STOPPER, TAPPET	1							
19	2	158563-51281	O-RING, 4D S6	1							
20	2	158563-51281	O-RING, 4D S6	1							
21	2	158560-51300	VALVE ASSY, DELIVERY	4							
29	2	158563-51330	SPRING, DELIVERY	4							
30	2	129907-51340	HOLDER, DELIVERY	4							
51	2	158553-51551	JOINT, COOLING WATER	1							
52	2	158601-51550	PLUG, M22	1							
53	2	129907-51560	PLUG, M16	1							
54	2	158552-51570	GASKET, PLUG	4							
55	2	158557-51570	PLUG, RACK	1							
56	2	158601-51570	PLUG	1							
57	2	129906-51580	GASKET, PLUG	1							
58	2	158552-51580	LIFTER, LINK	1							
59	2	119802-51590	TIMER ASSY	1							
60	3	119802-51600	TIMER ASSY	1							
63	3	158553-51670	O-RING	1							
64	3	119802-51680	RING, BACKUP	1							
65	3	119802-51690	O-RING	1							
66	3	24356-010200	O-RING, 4D1020	1							
67	3	24372-000150	RING, BACK UP T2P15	1							
68	2	158560-51600	GASKET	1							
69	2	158553-51630	SPRING, TIMER	1							
71	2	158553-51640	THERMOELEMENT	1							
72	2	158601-51650	JOINT, OVER FLOW	1							
73	2	158553-51660	O-RING, P14	1							
74	2	158553-51680	GASKET, TIMER	1							
95	3	158601-51770	PISTON, ACCUMULATOR	1							
96	3	158552-51781	SPRING, ACCUMULATOR	1							
97	3	158601-51790	PLUG	1							
98	3	22190-120002	WASHER, SEAL 12	1							
99	3	22190-180002	WASHER, SEAL 18	1							
100	3	23887-120002	PLUG, 12	1							
102	2	158552-52100	PUMP ASSY, FUEL FEED	1							
103	3	158552-52500	O-RING	1							
104	2	158552-52310	O-RING	1							
105	2	158552-52400	O-RING, 4E S42	1							
107	2	22190-120002	WASHER, SEAL 12	2							
108	2	22190-120002	WASHER, SEAL 12	2							
109	2	22190-180002	WASHER, SEAL 18	2							
110	2	22217-180000	WASHER, SPRING 18	1							
111	2	22312-050140	PIN, PARALLEL M5X14	2							
112	2	22351-050010	PIN, SPRING 5.0X10	2							
113	2	23857-060000	BOLT, JOINT 6	1							
114	2	24311-000070	O-RING, 1AP7.0	1							
115	2	24356-010200	O-RING, 4D1020	1							
116	2	24356-020210	O-RING, 4D2021	1							
117	2	26106-060102	BOLT, M6X 10 PLATED	1							
118	2	26106-060352	BOLT, M6X 35 PLATED	4							

N:Old $\frac{New}{Old}$ New, Q:Old $\frac{New}{Old}$ New, R:Old $\frac{New}{Old}$ New, S:Old $\frac{New}{Old}$ New, W:Add, Z:Discontinued, F:Interchangeable by set, K:Q'ty Change
 ++ CONTINUE ++ Copyright (C) YANMAR GLOBAL CS CO., LTD. All Rights Reserved.

Fig.13. FUEL INJECTION PUMP



(A)=4TNV98T-NKTC
(B)=
(C)=

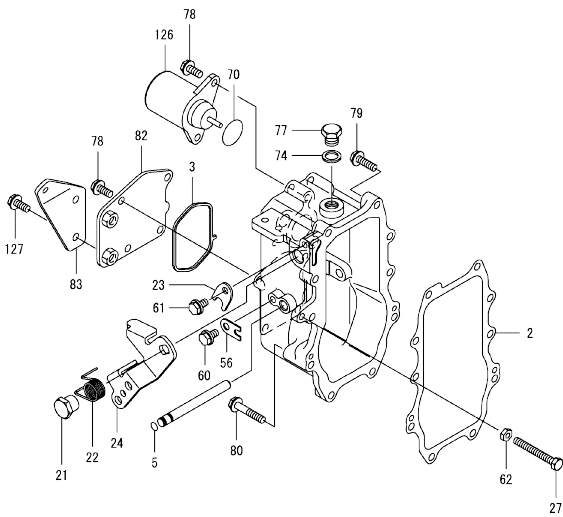
(D)=
(E)=
(F)=

No.	Lev.	Parts No.	Description	Q'ty						I	R
				(A)	(B)	(C)	(D)	(E)	(F)		
121	2	26450-100452	BOLT, M10X 45	4							
122	2	26776-180002	NUT, LOCK M18	1							
125	2	158552-51670	JOINT, OVER FLOW	1							
127	2	129916-59020	JOINT, PIPE 12	1							
129	1	129907-01950	RETAINER, PUMP	1							
130	1	129907-01960	RETAINER, PUMP	1							
131	1	26106-080162	BOLT, M8X 16 PLATED	2							
132	1	26106-080222	BOLT, M8X 22 PLATED	2							
133	1	26106-080222	BOLT, M8X 22 PLATED	1							
134	1	26106-100202	BOLT, M10X 20 PLATED	1							

Remarks
(1) GOVERNOR ASSY(FIG.14) IS
INCORPORATED IN THIS FOP.CMP
(REF.NO.1).

0CW10-M17200 4TNV98T-NKTC
 Fig.14. GOVERNOR

0CW10-M17200 Fig.14



(A)=4TNV98T-NKTC
 (B)=
 (C)=

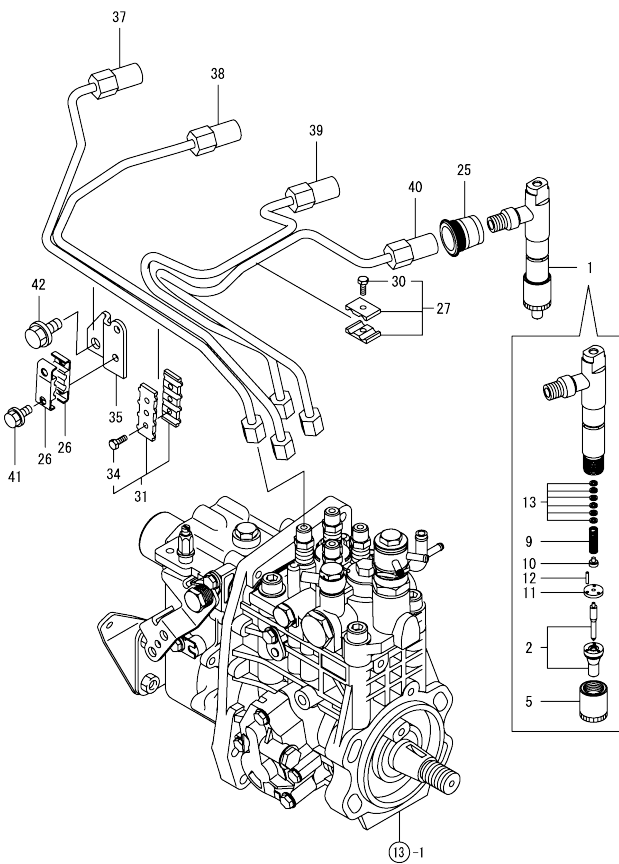
(D)=
 (E)=
 (F)=

No.	Lev.	Parts No.	Description	Q'ty						I	R
				(A)	(B)	(C)	(D)	(E)	(F)		
2	2	158560-61050	GASKET	1							
3	2	158560-61071	GASKET	1							
5	2	129155-51280	O-RING, S6	1							
21	2	129255-61410	NUT, M8	1							
22	2	119807-61420	SPRING, RETURN	1							
23	2	158560-61430	STOPPER, SHAFT	1							
24	2	158560-61442	LEVER, REGULATOR	1							
27	2	129155-61460	BOLT, LIMITING	1							
56	2	119660-61901	STOPPER, SHAFT	1							
60	2	26106-060102	BOLT, M6X 10 PLATED	1							
61	2	26106-060102	BOLT, M6X 10 PLATED	1							
62	2	26756-060002	NUT, LOCK M6	1							
70	2	158552-61900	O-RING	1							
74	2	22190-160002	WASHER, SEAL 16	1							
77	2	23887-160002	PLUG, 16	1							
78	2	26106-060142	BOLT, M6X 14 PLATED	6							
79	2	26106-060252	BOLT, M6X 25 PLATED	8							
80	2	26106-060402	BOLT, M6X 40 PLATED	2							
82	2	123945-61060	COVER, GOVERNOR CASE	1							
83	2	129966-61080	SUPPORT, WIRE	1							
126	2	119653-77950	SOLENOID, STOP	1							
127	2	26106-060142	BOLT, M6X 14 PLATED	2							

Remarks
 * THIS FIGURE(GOVERNOR ASSY)IS
 INCORPORATED IN THE FUEL INJECTION
 PUMP ASSY(FIG.13).

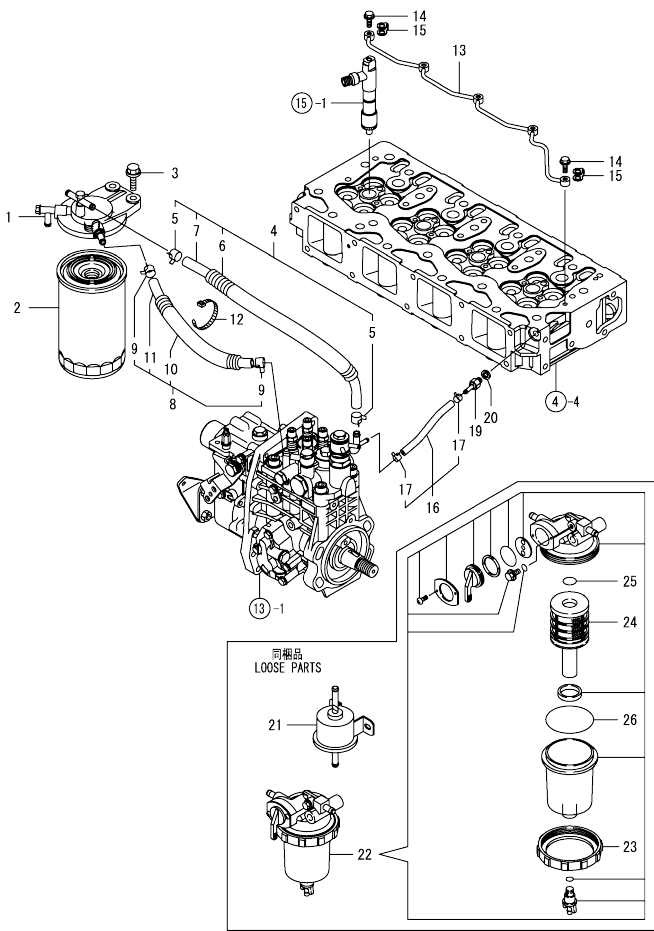
N:Old $\frac{100}{100}$ New, Q:Old $\frac{100}{100}$ New, R:Old $\frac{100}{100}$ New, S:Old $\frac{100}{100}$ New, W:Add, Z:Discontinued, F:Interchangeable by set, K:Q'ty Change
 Copyright (C) YANMAR GLOBAL CS CO., LTD. All Rights Reserved.

Fig.15. FUEL INJECTION VALVE



No.	Lev.	Parts No.	Description	Q'ty						I	R
				(A)	(B)	(C)	(D)	(E)	(F)		
1	1	729908-53100	FUEL INJECTOR ASSY	4							
2	2	129908-53000	NOZZLE ASSY, F.I.	4							
5	2	114250-53080	NUT, NOZZLE	4							
9	2	114250-53120	SPRING, NOZZLE	4							
10	2	114250-53130	SEAT, SPRING	4							
11	2	114250-53140	SPACER	4							
12	2	114250-53210	PIN	8							
13	2	114250-53400	SHIM SET	4							
25	1	123907-11601	SEAL, PIPE	4							
26	1	122780-59100	RETAINER	2							
27	1	119305-59120	RETAINER, PIPE	1							
30	2	129150-59131	BOLT, M4X14	1							
31	1	129550-59120	RETAINER, PIPE	1							
34	2	129150-59131	BOLT, M4X14	2							
35	1	129907-59710	SUPPORT	1							
37	1	129908-59810	PIPE ASSY, INJECTION	1							
38	1	129908-59820	PIPE ASSY, INJECTION	1							
39	1	129908-59830	PIPE ASSY, INJECTION	1							
40	1	129908-59840	PIPE ASSY, INJECTION	1							
41	1	26106-060162	BOLT, M6X 16 PLATED	2							
42	1	26106-080182	BOLT, M8X 18 PLATED	1							

Fig.16. FUEL LINE

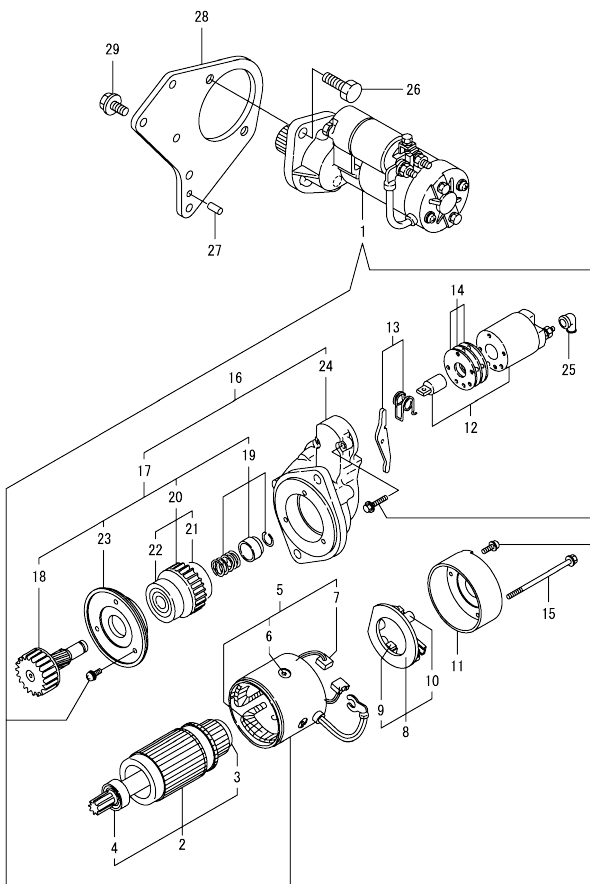


(A)=4TNV98T-NKTC
(B)=
(C)=

(D)=
(E)=
(F)=

No.	Lev.	Parts No.	Description	Q'ty						I	R
				(A)	(B)	(C)	(D)	(E)	(F)		
1	1	129004-55612	BRACKET, FILTER	1							
2	1	123907-55801	FILTER, FUEL	1							
3	1	26106-080302	BOLT, M8X 30 PLATED	2							
4	1	129457-59010	HOSE ASSY, FUEL	1							
5	2	124766-59050	CLAMP, HOSE 11.5	2							
6	2	129957-59120	TUBE, CORRUGATED 15	1							
7	2	105025-59750	HOSE, FUEL	1							
8	1	129981-59010	HOSE ASSY, FUEL	1							
9	2	124766-59050	CLAMP, HOSE 11.5	2							
10	2	129950-59221	TUBE, CORRUGATED 15	1							
11	2	129980-59510	HOSE, FUEL	1							
12	1	121750-59890	BAND, NYLON	1							
13	1	129907-59140	PIPE ASSY, RETURN	1							
14	1	123907-59540	BOLT, PIPE JOINT M6	5							
15	1	123907-59550	GASKET	5							
16	1	129486-59551	HOSE ASSY, RETURN	1							
17	2	124722-59050	CLAMP, HOSE 9	2							
19	1	123907-59560	JOINT, HOSE	1							
20	1	22190-080002	WASHER, SEAL 6	1							
21	1	119225-52102	PUMP, FUEL FEED	1							
22	1	119802-55700	SEPARATOR ASSY, WATER	1							
23	2	129100-55690	RING, CUP RETAINING	1							
24	2	119802-55710	ELEMENT	1							
25	2	24311-000160	O-RING, 1AP16.0	1							
26	2	24321-000650	O-RING, 1AG65.0	1							

Fig.17. STARTING MOTOR

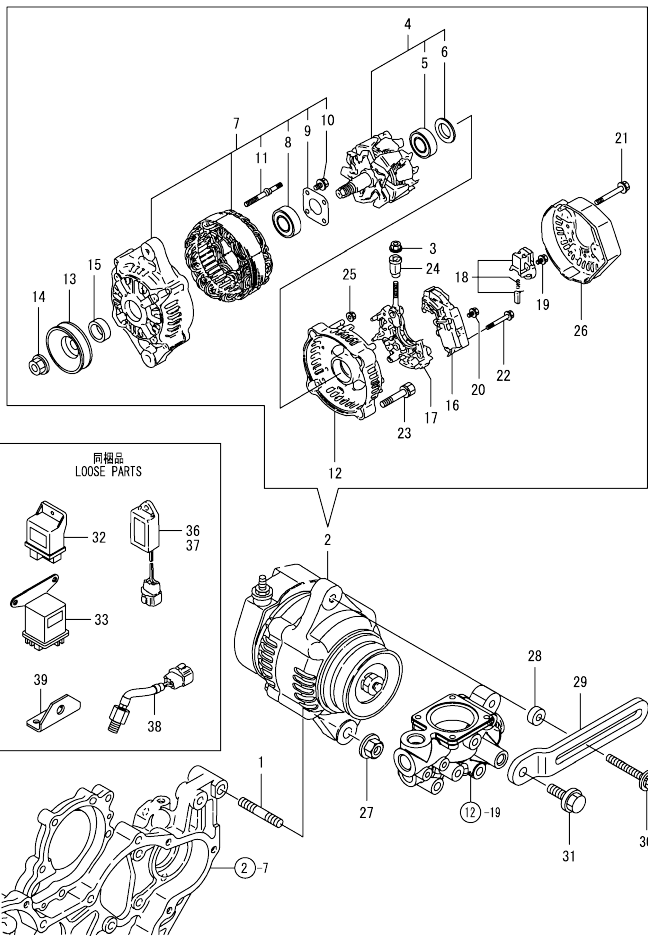


(A)=4TNV98T-NKTC
(B)=
(C)=

(D)=
(E)=
(F)=

No.	Lev.	Parts No.	Description	Q'ty					
				(A)	(B)	(C)	(D)	(E)	(F)
1	1	129900-77010	STARTER ASSY	1					
2	2	129900-77400	ARMATURE ASSY	1					
3	3	X2114155110	BEARING, BALL	1					
4	3	X2114255110	BEARING, BALL	1					
5	2	129900-77440	COIL ASSY, FIELD	1					
6	3	171008-77450	SCREW, CORE SET	4					
7	3	129900-77450	BRUSH	2					
8	2	129900-77480	HOLDER ASSY, BRUSH	1					
9	3	129900-77450	BRUSH	2					
10	3	X2130631300	SPRING, BRUSH	4					
11	2	129900-77460	COVER	1					
12	2	129900-77591	SWITCH ASSY, MAGNET	1					
13	2	129900-77620	LEVER SET	1					
14	2	129900-77650	COVER KIT, DUST	1					
15	2	129900-77640	BOLT, THROUGH	2					
16	2	129900-77700	CASE ASSY, GEAR	1					
17	3	129900-77510	PINION ASSY, W/CLUTCH	1					
18	4	129900-77540	SHAFT, PINION	1					
19	4	129900-77550	STOPPER SET, PINION	1					
20	4	129900-77520	CLUTCH ASSY	1					
21	4	171008-77730	BEARING, BALL	1					
22	4	171008-77740	BEARING, BALL	1					
23	4	129900-77610	RETAINER, BEARING	1					
24	3	129900-77710	CASE, GEAR	1					
25	2	171008-77750	COVER, TERMINAL	1					
26	1	26116-120202	BOLT, M12X 20 PLATED	2					
27	1	129100-01580	PIN, PARALLEL 8X16	1					
28	1	129960-77410	BRACKET, STARTER	1					
29	1	26206-100202	BOLT, M10X 20 PLATED	5					

Fig.18. GENERATOR

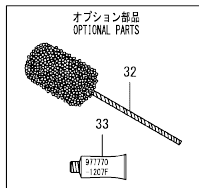
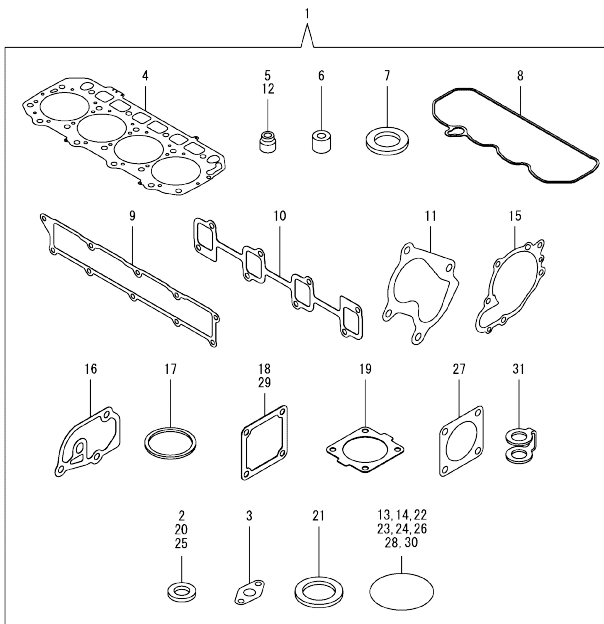


(A)=4TNV98T-NKTC
(B)=
(C)=

(D)=
(E)=
(F)=

No.	Lev.	Parts No.	Description	Qty						I	R
				(A)	(B)	(C)	(D)	(E)	(F)		
1	1	129795-01900	BOLT, STUD M10X33	1							
2	1	119626-77210	ALTERNATOR, 12V-55A	1							
3	2	X9490561001	NUT	1							
4	2	129052-77380	ROTOR ASSY	1							
5	3	125301-79240	BEARING, BALL	1							
6	3	119620-79250	COVER, BEARING	1							
7	2	129052-77422	FRAME ASSY	1							
8	3	119620-79200	BEARING, BALL	1							
9	3	119620-79210	RETAINER	1							
10	3	119620-79220	SCREW	4							
11	3	119620-79230	BOLT, STUD	2							
12	2	128401-77440	COVER	1							
13	2	119620-77461	PULLEY, GENERATOR	1							
14	2	119620-77471	NUT	1							
15	2	119620-77490	COLLAR	1							
16	2	119626-77710	REGULATOR ASSY	1							
17	2	129052-79260	HOLDER	1							
18	2	129052-79270	HOLDER, BRUSH	1							
19	2	119620-79290	SCREW	6							
20	2	119620-79300	SCREW	1							
21	2	119620-79310	BOLT	3							
22	2	119620-79320	SCREW	2							
23	2	119620-79330	BOLT	2							
24	2	119620-79340	BUSH, INSULATION	1							
25	2	119620-79350	NUT	2							
26	2	119626-77450	FRAME	1							
27	1	26306-100002	NUT, M10	1							
28	1	119940-77270	SPACER	1							
29	1	129972-77330	ADJUSTER, BELT	1							
30	1	129972-77341	BOLT, ADJUST L=50	1							
31	1	26106-080222	BOLT, M8X 22 PLATED	1							
32	1	119802-77200	RELAY, SAFETY	1							Z
33	1	119650-77910	RELAY ASSY, GLOW	1							
36	1	128300-77920	TIMER	1							
37	1	129211-77920	TIMER	1							
38	1	119624-91500	SENSOR	1							
38-1	1	129974-91500	SENSOR	1							W
(A=*2009.05)											
39	1	129974-91120	BRACKET	1							W
(A=*2009.05)											

Fig.19. GASKET SET



Remarks
(1) OPTIONAL PART.

No.	Lev.	Parts No.	Description	Qty						I	R	
				(A)	(B)	(C)	(D)	(E)	(F)			
1	1	729908-92660	GASKET SET	1							1	
2	2	23414-100000	GASKET, 10X1.0	2								
3	2	129908-39690	GASKET	1								
4	2	129907-01331	GASKET, HEAD	1								
5	2	124160-11340	SEAL, VALVE STEM	8								
6	2	119802-11870	PROTECTOR, NOZZLE	4								
7	2	119625-11880	SEAT, NOZZLE	4								
8	2	129933-11310	GASKET, BONNET	1								
9	2	129907-12110	GASKET, MANIFOLD	1								
10	2	129900-13251	GASKET, EXH.MANIFOLD	1								
11	2	123901-18080	GASKET	1								
12	2	119803-11340	SEAL, VALVE STEM	8								
13	2	129900-32030	O-RING, P20	2								
14	2	129900-32040	O-RING, P14	1								
15	2	129900-42020	GASKET, WATER PUMP	1								
16	2	129900-49870	GASKET, THERMOSTAT	1								
17	2	121850-49550	GASKET, THERMOSTAT	1								
18	2	121850-77021	GASKET, AIR HEATER	1								
19	2	121850-49540	GASKET, THERMOSTAT	1								
20	2	23414-080000	GASKET, 8X1.0	1								
21	2	124465-44950	GASKET, 16	2								
22	2	24311-000070	O-RING, 1AP7.0	1								
23	2	24311-000120	O-RING, 1AP12.0	8								
24	2	24311-000320	O-RING, 1AP32.0	2								
25	2	22190-080002	WASHER, SEAL 6	11								
26	2	24351-030750	O-RING, 1A3075	1								
27	2	129472-18090	GASKET	1								
28	2	24321-000850	O-RING, 1AG85.0	1								
29	2	119129-77020	GASKET	1								
30	2	24321-000600	O-RING, 1AG60.0	1								
31	2	123907-59550	GASKET	5								
32	1	129400-92450	HONE, FLEX	1								1
33	1	977770-1207F	GASKET, LIQUID	1								1

Parts No. Index

Parts No.	Fig. No.	Ref. No.
105010-39140	11	7 -1
		24
105025-59750	16	7
114250-39450	11	13
114250-53080	15	5
114250-53120	15	9
114250-53130	15	10
114250-53140	15	11
114250-53210	15	12
114250-53400	15	13
119000-39650	11	38
119005-77050	5	10
119006-03090	4	64
119100-11330	4	59
119129-77020	5	8
	19	29
119141-44760	12	17
119225-52102	16	21
119305-59120	15	27
119540-39950	3	2
119540-39960	3	4
119593-11301	4	32
119620-11180	4	16
119620-77461	18	13
119620-77471	18	14
119620-77490	18	15
119620-79200	18	8
119620-79210	18	9
119620-79220	18	10
119620-79230	18	11
119620-79250	18	6
119620-79290	18	19
119620-79300	18	20
119620-79310	18	21
119620-79320	18	22
119620-79330	18	23
119620-79340	18	24
119620-79350	18	25
119624-91500	18	38
119625-11880	4	28
	19	7
119626-77210	18	2
119626-77450	18	26
119626-77710	18	16
119650-77910	18	33
119653-77950	14	126
119656-39930	3	3
119660-61901	14	56
119802-11870	4	27
	19	6

Parts No.	Fig. No.	Ref. No.
119802-51590	13	59
119802-51600	13	60
119802-51680	13	64
119802-51690	13	65
119802-55700	16	22
119802-55710	16	24
119802-77200	18	32
119803-11340	4	17
	19	12
119807-61420	14	22
119940-77270	18	28
120130-22301	9	20
121023-26070	2	28
121250-44901	12	36
121252-39150	11	6
121450-42450	12	35
121750-59890	10	11
	16	12
121850-21130	9	10
121850-21290	9	4
121850-21680	9	9
121850-21920	9	5
121850-49540	12	23
	19	19
121850-49550	12	24
	19	17
121850-49810	12	26
121850-77021	5	9
	19	18
122780-59100	15	26
123900-13630	6	3
123900-25060	7	9
123901-03240	4	70
123901-03280	4	75
123901-18080	6	5
	19	11
123901-39820	11	29
123907-11280	4	37
123907-11550	4	3
123907-11601	15	25
123907-11820	4	23
123907-11830	4	22
123907-39500	11	16
123907-55801	16	2
123907-59540	16	14
123907-59550	16	15
	19	31
123907-59560	16	19
123910-49600	10	8
123910-49610	10	10

Parts No.	Fig. No.	Ref. No.
123912-33050	10	2
123912-33100	10	3
123945-61060	14	82
123951-18220	5	5
124070-13300	11	26
124160-01751	2	26
	4	52
124160-11340	4	18
	19	5
124160-11360	4	61
124223-39900	11	3
124411-01780	3	11
124465-44950	12	37
	38	38
	19	21
124722-59050	12	42
	45	45
	16	17
124766-59050	16	5
	9	9
124976-34850	1	29
125301-79240	18	5
128300-77920	18	36
128401-77440	18	12
129001-91810	2	15
	16	16
129004-55612	16	1
129005-59830	11	7
	18	18
129006-44480	10	5
129052-77380	18	4
129052-77422	18	7
129052-79260	18	17
129052-79270	18	18
129100-01580	2	4
	3	8
	17	27
129100-55690	16	23
129150-02450	7	4
129150-03100	4	66
129150-11230	4	40
	44	44
129150-11750	4	21
	41	41
	45	45
129150-14200	7	1
129150-25920	7	13
129150-35153	10	16
129150-59131	15	30
	34	34

Parts No.	Fig. No.	Ref. No.
129155-51280	14	5
129155-61460	14	27
129198-59540	11	7 -2
129211-77920	18	37
129255-61410	14	21
129400-92450	19	32
129410-03990	4	76
129418-18320	6	4
129457-59010	16	4
129466-49300	10	7
129472-18090	8	2
	19	27
129486-01670	3	12
129486-59551	16	16
129550-59120	15	31
129795-01900	18	1
129900-01200	1	27
129900-01250	1	4
129900-01740	2	5
129900-01780	2	3
129900-02020	1	6
129900-02341	1	33
129900-02410	1	9
129900-02931	1	24
129900-02941	1	36
129900-13251	6	2
	19	10
129900-14100	7	6
129900-14140	2	10
129900-21200	9	3
129900-21600	9	13
129900-21640	9	7
129900-23001	9	22
129900-23200	9	25
129900-23601	9	26
129900-23611	9	29
129900-23911	9	28
129900-25100	7	10
129900-26000	7	20
129900-26250	2	11
129900-32030	2	12
	10	17
	19	13
129900-32040	2	13
	19	14
129900-42020	12	11
	19	15
129900-49870	12	31
	19	16
129900-77010	17	1

Parts No. Index

Parts No.	Fig. No.	Ref. No.
129900-77400	17	2
129900-77440	17	5
129900-77450	17	7
		9
129900-77460	17	11
129900-77480	17	8
129900-77510	17	17
129900-77520	17	20
129900-77540	17	18
129900-77550	17	19
129900-77591	17	12
129900-77610	17	23
129900-77620	17	13
129900-77640	17	15
129900-77650	17	14
129900-77700	17	16
129900-77710	17	24
129906-51580	13	57
129907-01331	1	28
	19	4
129907-01950	13	129
129907-01960	13	130
129907-03011	4	54
129907-03061	4	55
129907-03070	4	56
129907-07900	4	1
129907-11100	4	13
129907-11110	4	14
129907-11120	4	15
129907-11250	4	34
129907-11260	4	35
129907-11270	4	36
129907-11341	4	33
129907-11510	4	19
129907-11650	4	38
129907-11660	4	42
129907-11800	4	26
129907-11910	4	29
129907-11920	4	46
129907-11950	4	30
129907-12100	5	1
129907-12110	5	2
	19	9
129907-14400	7	2
129907-21660	9	8
129907-22050	9	16
129907-25900	7	16
129907-39061	11	14
129907-42000	12	1
129907-44740	12	16

Parts No.	Fig. No.	Ref. No.
129907-49610	12	39
129907-49620	12	43
129907-49710	12	40
129907-49720	12	44
129907-49730	12	25
129907-49750	12	41
129907-49800	12	19
129907-51340	13	30
129907-51560	13	53
129907-59140	16	13
129907-59710	15	35
129908-03099	4	65
129908-03209	4	67
129908-03219	4	68
129908-03229	4	69
129908-11700	4	4
129908-13100	6	1
129908-14581	7	3
129908-18010	8	1
129908-18350	5	7
129908-21000	9	1
129908-22080	9	14
129908-32060	2	8
129908-33010	10	1
129908-33101	10	4
129908-39070	11	1
129908-39410	11	32
129908-39610	11	27
129908-39690	11	28
	19	3
129908-49060	10	6
129908-53000	15	2
129908-59810	15	37
129908-59820	15	38
129908-59830	15	39
129908-59840	15	40
129916-21610	9	9 -1
129916-49530	12	22
129916-59020	13	127
129927-42140	2	13 A
129930-35000	10	18
129930-39050	11	23
129930-42450	12	14
129933-01500	2	7
129933-11310	4	58
	19	8
129933-11320	4	53
129935-03260	4	72
129935-03270	4	73
129950-59221	16	10

Parts No.	Fig. No.	Ref. No.
129953-25300	7	15
129957-59120	16	6
129960-01640	3	9
129960-01690	3	9 -1
129960-03990	4	77
129960-21590	9	11
129960-21930	9	37
129960-21940	9	7 -1
129960-77410	17	28
129961-34810	10	15
129966-61080	14	83
129972-77330	18	29
129972-77341	18	30
129974-01740	3	1
129974-91120	18	39
129974-91500	18	38 -1
129980-59510	16	11
129981-59010	16	8
144626-51090	13	9
158552-51570	13	54
158552-51580	13	58
158552-51670	13	125
158552-51781	13	96
158552-52100	13	102
158552-52310	13	104
158552-52400	13	105
158552-52500	13	103
158552-61900	14	70
158553-51551	13	51
158553-51630	13	69
158553-51640	13	71
158553-51660	13	73
158553-51670	13	63
158553-51680	13	74
158557-51570	13	55
158560-51300	13	21
158560-51600	13	68
158560-61050	14	2
158560-61071	14	3
158560-61430	14	23
158560-61442	14	24
158563-51150	7	17
158563-51281	13	19
		20
158563-51330	13	29
158600-51270	13	18
158601-51550	13	52
158601-51570	13	56
158601-51650	13	72
158601-51770	13	95

Parts No.	Fig. No.	Ref. No.
158601-51790	13	97
171008-77450	17	6
171008-77730	17	21
171008-77740	17	22
171008-77750	17	25
171051-01921	1	5
171056-49120	10	14
22190-080002	11	8
		10
		10 -1
		19
		19
		21
		25
	16	20
	19	25
22190-120002	13	98
		107
		108
22190-160002	14	74
22190-180002	13	99
		109
22217-180000	7	18
	13	110
22252-000300	9	21
22312-050140	13	111
22351-030010	11	39
22351-050010	13	112
22351-060012	1	10
22512-070140	7	7
	9	6
22857-500100	4	60
23000-022000	4	78
23000-025000	10	12
	11	30
23000-054000	5	6
23001-022000	3	5
		6
23414-080000	12	32
	19	20
23414-100000	11	11
	19	2
23857-030000	11	9
		20
23857-060000	13	113
23875-030000	12	28
23876-020000	4	10
23876-030000	1	11
		12
		13
	4	11

Parts No. Index

Parts No.	Fig. No.	Ref. No.
23887-120002	13	100
23887-160002	14	77
24311-000070	2	17
	13	114
	19	22
24311-000120	4	31
		62
	19	23
24311-000160	16	25
24311-000320	2	27
	4	63
	19	24
24321-000600	10	13
	19	30
24321-000650	16	26
24321-000850	2	29
	19	28
24351-030750	2	18
	19	26
24356-010200	13	66
		115
24356-020210	13	116
24372-000150	13	67
25152-004150	12	15
26013-080552	12	18
26106-060102	13	117
	14	60
		61
26106-060122	12	29
26106-060142	14	78
		127
26106-060162	11	31
	15	41
26106-060202	12	30
26106-060252	14	79
26106-060302	12	12
26106-060352	13	118
26106-060402	14	80
26106-080122	3	7
	4	79
	10	23
		24
	11	12
		22
	12	33
26106-080142	4	80
26106-080162	2	19
		20
	4	2
	7	8

Parts No.	Fig. No.	Ref. No.
26106-080162	13	131
26106-080182	15	42
26106-080202	2	21
26106-080222	13	132
		133
	18	31
26106-080302	16	3
26106-080402	2	22
		23
	4	48
26106-080452	2	24
26106-080552	5	3
	7	14
	12	13
26106-080602	4	49
		50
	12	34
26106-080702	5	11
26106-080852	5	4
26106-081202	5	12
26106-100202	2	30
	13	134
26116-050102	4	71
26116-120202	17	26
26206-100202	17	29
26216-100302	2	9
26226-080222	4	47
26306-080002	4	51
	8	3
26306-100002	2	25
	18	27
26450-100452	13	121
26756-060002	14	62
26776-180002	7	19
	13	122
27241-300000	1	14
27241-400000	4	12
27310-070001	4	24
729900-02801	1	30
729907-01540	2	1
729907-22950	9	33
729908-01560	1	1
729908-22900	9	31
729908-53100	15	1
729908-92660	19	1
729974-51340	13	1
977770-1207F	19	33
X2114155110	17	3
X2114255110	17	4
X2130631300	17	10

Parts No.	Fig. No.	Ref. No.
X9490561001	18	3

Parts No.	Fig. No.	Ref. No.
-----------	----------	----------