

OCR10-M61400EN

PREFACE

- 1.This Parts Catalog carries all parts incorporated in YANMAR Model 4TNV98T-NU2 engine manufactured since June, 2005.
- 2.Each illustration corresponds to the parts list on the following page.
- 3.When ordering parts,clearly write down the engine model and serial number,as well as the name and number of each part in your order sheet. This will help insure reliable delivery of the parts you have ordered.

Directions for the Parts Catalog.

1. This Parts Catalog shows both standard and optional parts.
2. Parts may change without prior notice.
3. The following is an example of the Parts Catalog format.

REF.	LEV.	PARTS NO.	DESCRIPTION	Q'TY						I	R
				(A)	(B)	(C)	(D)	(E)	(F)		
1	1	729595-51390	FUEL INJECTION PUMP	1	1	1	1	1			1
1-1	1	729595-51391	FUEL INJECTION PUMP	1	1	1	1	1		N	1
		(A=E00185) (B=E00200)									
3	2	26022-060162	SCREW M 6X 16	9	9	9	9	9			
3-1	2	26022-060162	SCREW M 6X 16	4	4	4	4	4		K	
		(A=E00156) (B=E00156) (C=E00156) (D=E00156) (E=E00156)									
4	2	129470-51040	CAMSHAFT	1	1	1	1	1			
5	2	122710-51050	BEARING, ROLLER	2	2	2	2	2			
6	2	129470-51060	RETAINER	1	1	1	1	1			

Remarks
(1) BOOST COMPEMSATOR TYPE. OPTIONAL PART, TO E00155,(4JH-DT, 4JH-DTZ

① Ref. No.

The Ref. No. listed may not be in accordance with the illustration Ref. No.

(Ex.) Illustration No.

List Ref No.

1 1 (Before change) → 1-1 (After change)

For interchangeable symbols N, R and K, illustrations for new parts may be abbreviated.

② Lev. (Level)

Level indication

The numbers below indicate the level of relativity towards the main part.

1 ---- Main parts (Assembly parts)

2 ---- Sub component included in " 1 ".

3 ---- Sub component included in " 2 ".

Note) Parts that are not for sale are partially illustrated but not listed.

③ Interchangeability Symbol

When a part change takes place, one of the following interchangeability symbols is indicated beside the part.

Symbol	Interchangeability	Contents note
N	Old $\begin{matrix} \leftarrow \text{Yes} \\ \text{No} \rightarrow \end{matrix}$ New	New Part is interchangeable for Old Part but Old Part is not interchangeable for New Part.
Q	Old $\begin{matrix} \leftarrow \text{No} \\ \text{Yes} \rightarrow \end{matrix}$ New	New Part is not interchangeable for Old Part but Old Part is interchangeable for New Part.
R	Old $\begin{matrix} \leftarrow \text{Yes} \\ \text{Yes} \rightarrow \end{matrix}$ New	New/ Old Parts are both interchangeable.
S	Old $\begin{matrix} \leftarrow \text{No} \\ \text{No} \rightarrow \end{matrix}$ New	New/ Old Parts are both not interchangeable.
W		Part newly added.
Z		Part discontinued.
F		Not interchangeable by a single part but interchangeable together with related parts.
K		Changes only for used parts quantities.

④ Effective Machine No.

When a part changes, the effective Machine No. will be indicated in the (A)-(F) column.

Product Symbol	Product No.	Product Symbol	Product No.
C	Clutch No. Compressor No.	F	Machine No. (Agricultural Equip.)
D	Drive No.	M	Machine No.
E	Engine No.		

Note 1) A date may follow the symbol. (Ex.) 1996.01

Note 2) "XXXXX" and "ZZZZZ" are for parts that could not be predicted or for engine models that could not be identified.

Note 3) (A=E00185) is the E (Engine Serial Number) for the column (A) model (in this case 4JH-DT) after the parts design change.

⑤ Remarks

Figures or alphabets (symbols) are entered in the remarks column.

The comments (remarks) on parts that are indicated at the bottom of the illustration are the same symbols as those stated above.

Contents

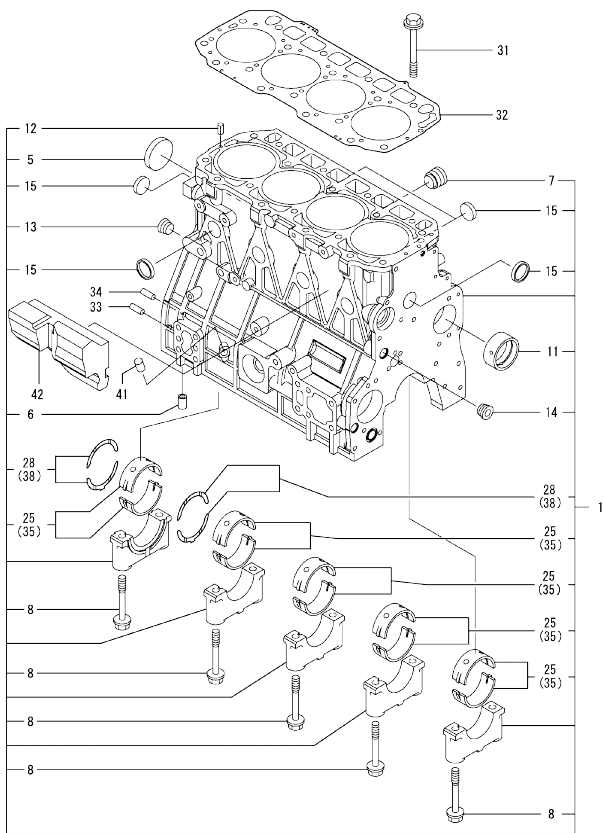
OCR10-M61400

Fig. No.	Fig. Name	Fig. No.	Fig. Name
ENGINE SECTION (4TNV98T-NU2)			
1.	CYLINDER BLOCK		
2.	GEAR HOUSINNG		
3.	MOUNTING FLANGE & OIL SUMP		
4.	CYLINDER HEAD & BONNET		
5.	SUCTION MANIFOLD		
6.	EXHAUST MANIFOLD		
7.	CAMSHAFT & DRIVING GEAR		
8.	TURBINE		
9.	CRANKSHAFT & PISTON		
10.	BALANCER		
11.	LUB.OIL SYSTEM		
12.	LUB.OIL LINE		
13.	COOLING WATER SYSTEM		
14.	FUEL INJECTION PUMP		
15.	GOVERNOR		
16.	FUEL INJECTION VALVE		
17.	FUEL LINE		
18.	STARTING MOTOR		
19.	GENERATOR		
20.	GASKET SET		

Fig.1. CYLINDER BLOCK

(A)=4TNV98T-NU2
(B)=
(C)=

(D)=
(E)=
(F)=



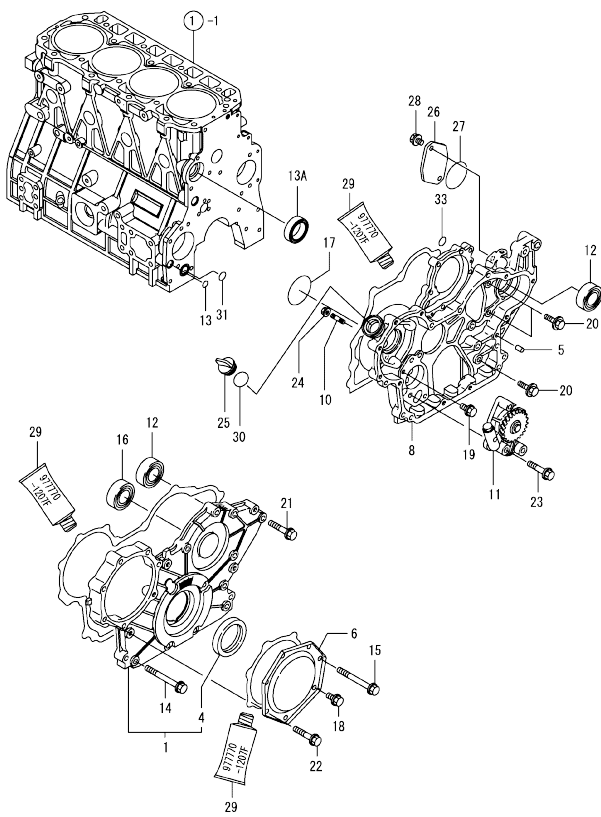
No.	Lev.	Parts No.	Description	Q'ty						I	R
				(A)	(B)	(C)	(D)	(E)	(F)		
1	1	729972-01560	BLOCK ASSY, CYLINDER	1							
5	2	129900-01250	PLUG, 55	1							
6	2	129956-01710	PIPE, KNOCK L=25	1							
7	2	171051-01921	PLUG, NPTF1	1							
8	2	129900-02020	BOLT, METAL CAP	10							
11	2	129900-02410	BUSH, CAMSHAFT	1							
12	2	22351-060012	PIN, SPRING 6.0X12	2							
13	2	23876-030000	PLUG, R03	1							
14	2	23876-030000	PLUG, R03	1							
15	2	27241-300000	PLUG 30	8							
25	2	729900-02800	BEARING, MAIN	5							3
28	2	129900-02930	BEARING, THRUST	2							
31	1	129900-01200	BOLT, HEAD	18							
32	1	129907-01331	GASKET, HEAD	1							
33	1	129100-01580	PIN, M8X16	2							
34	1	129100-01580	PIN, M8X16	2							
35	1	129900-02340	BEARING, 0.25 US	5							1
38	1	129900-02940	BEARING, THRUST 0.25	2							2
41	1	119309-01810	PLUG	1							
42	1	129907-01190	SPACER	1							

Remarks
(1) UNDER-SIZE(U.S=0.25)PART.
(2) OVER-SIZE(O.S=0.25)PART.
(3) REPAIR PART.

Fig.2. GEAR HOUSING

(A)=4TNV98T-NU2
(B)=
(C)=

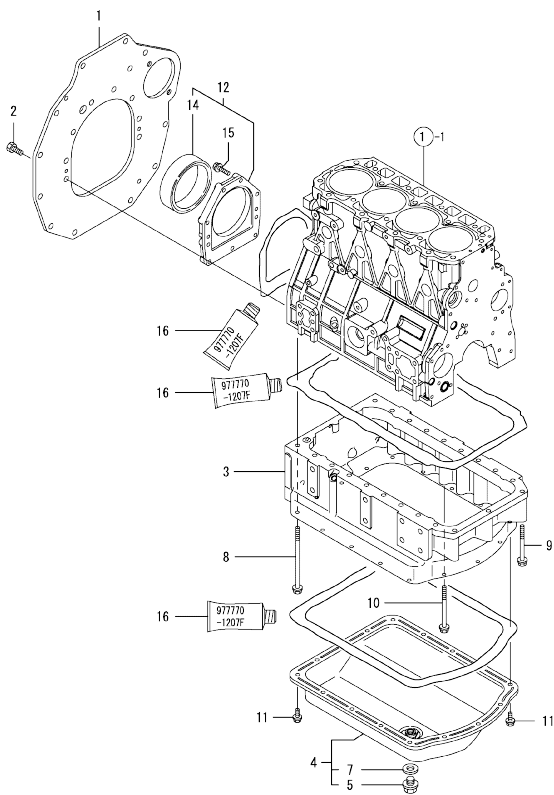
(D)=
(E)=
(F)=



No.	Lev.	Parts No.	Description	Qty						I	R	
				(A)	(B)	(C)	(D)	(E)	(F)			
1	1	729907-01540	COVER ASSY,GEAR CASE	1								
4	2	129900-01780	SEAL, OIL	1								
5	1	129100-01580	PIN, PARALLEL 8X16	4								
6	1	129900-01740	COVER	1								
8	1	129933-01500	CASE, GEAR	1								
10	1	26216-100302	STUD, M10X 30	4								
11	1	129908-32060	PUMP ASSY, OIL	1								
12	1	129900-26250	BEARING, BALL 6206C3	2								
13	1	129900-32040	O-RING, P14	1								
13A	1	129927-42140	GASKET, PUMP OUTLET	1								W
		(A=2014.09)										
14	1	129001-91810	BOLT, M8X70	6								
15	1	129001-91810	BOLT, M8X70	1								
16	1	129900-14140	BEARING, BALL 6205	1								
17	1	24351-030750	O-RING, 1A3075	1								
18	1	26106-080162	BOLT, M8X 16 PLATED	1								
19	1	26106-080162	BOLT, M8X 16 PLATED	1								
20	1	26106-080202	BOLT, M8X 20 PLATED	3								
21	1	26106-080402	BOLT, M8X 40 PLATED	5								
22	1	26106-080402	BOLT, M8X 40 PLATED	5								
23	1	26106-080452	BOLT, M8X 45 PLATED	3								
24	1	26306-100002	NUT, M10	4								
25	1	124160-01751	CAP, FILLER	1								
26	1	121023-26070	COVER, PUMP	1								
27	1	24321-000850	O-RING, 1AG85.0	1								
28	1	26106-100202	BOLT, M10X 20 PLATED	2								
29	1	977770-1207F	GASKET,LIQUID	1								1
30	1	24311-000320	O-RING, 1AP32.0	1								
31	1	129900-32030	O-RING, P20	1								
33	1	24311-000070	O-RING, 1AP7.0	1								

Remarks
(1) OPTIONAL PART.

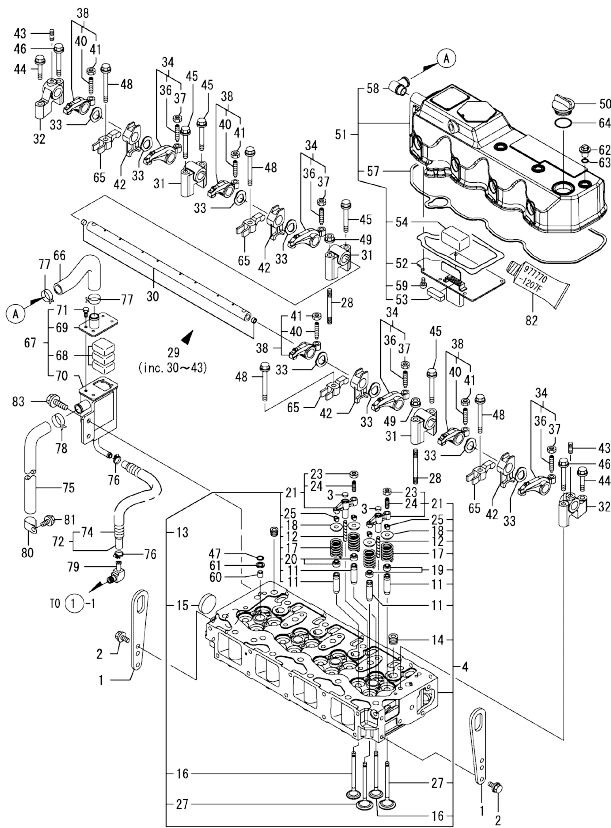
Fig.3. MOUNTING FLANGE & OIL SUMP



No.	Lev.	Parts No.	Description	Q'ty						I	R
				(A)	(B)	(C)	(D)	(E)	(F)		
1	1	129956-01602	FLANGE, MOUNTING	1							
2	1	26116-100202	BOLT, M10X 20 PLATED	9							
3	1	129956-01700	SUMP, OIL	1							
4	1	129956-01740	COVER ASSY, OIL SUMP	1							
5	2	105425-01690	PLUG, 16	1							
7	2	22190-160002	WASHER, SEAL 16	1							
8	1	129972-01731	BOLT, M8X150	2							
9	1	129001-91841	BOLT, M8X85	3							
10	1	129693-44310	BOLT	16							
11	1	26106-080122	BOLT, M8X 12 PLATED	16							
12	1	129956-01640	CASE ASSY, OIL SEAL	1							
14	2	124411-01780	SEAL, HTC95X115X12	1							
15	1	26106-080302	BOLT, M8X 30 PLATED	9							
16	1	97770-1207F	GASKET,LIQUID	1							1

Remarks
(1) OPTIONAL PART.

Fig.4. CYLINDER HEAD & BONNET



(A)=4TNV98T-NU2
(B)=
(C)=

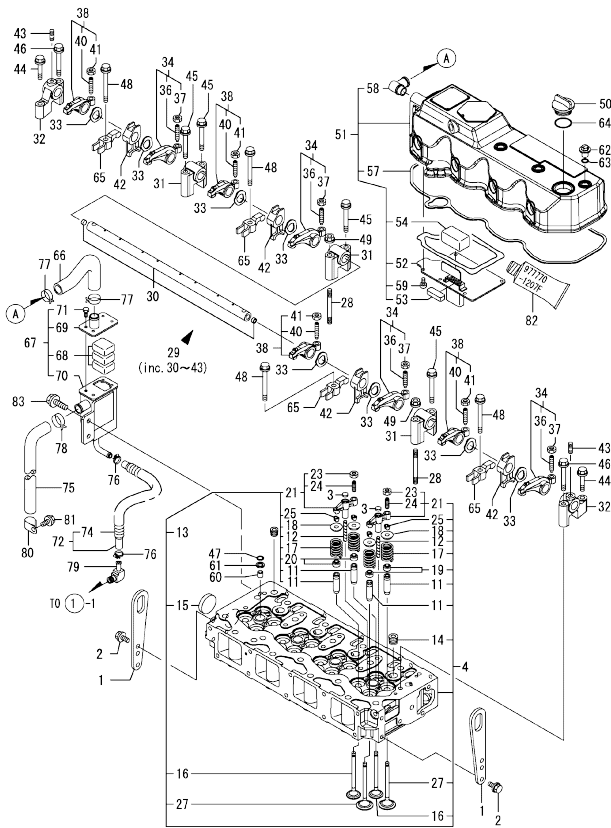
(D)=
(E)=
(F)=

No.	Lev.	Parts No.	Description	Q'ty						I	R
				(A)	(B)	(C)	(D)	(E)	(F)		
1	1	129907-07900	LIFTER	2							
2	1	26106-080162	BOLT, M8X 16 PLATED	4							
3	1	123907-11550	SEAT, VALVE BRIDGE	8							
4	1	129908-11700	HEAD ASSY, CYLINDER	1							1
11	2	129907-11800	GUIDE, VALVE	16							
12	2	123907-11820	GUIDE	8							
13	2	23876-020000	PLUG, R02	1							
14	2	23876-030000	PLUG, R03	4							
15	2	27241-400000	PLUG, 40	1							
16	2	129907-11110	VALVE, EXHAUST	8							
17	2	129907-11120	SPRING, VALVE	16							
18	2	119620-11180	RETAINER, SPRING	16							
19	2	124160-11340	SEAL, VALVE STEM	8							
20	2	124950-11340	SEAL, VALVE STEM	8							
21	2	129907-11510	BRIDGE ASSY, VALVE	8							
23	3	129150-11750	NUT, M8	8							
24	3	123907-11830	ADJUSTER	8							
25	2	27310-070001	COTTER, 7	16							
27	2	129907-11100	VALVE, INTAKE	8							
28	1	119593-11301	STUD, M8X80	2							
29	1	129907-11341	SHAFT ASSY, ROCKER	1							
30	2	129907-11250	SHAFT, ROCKER ARM	1							
31	2	129907-11260	SUPPORT, ROCKER ARM	3							
32	2	129907-11270	SUPPORT, ROCKER ARM	2							
33	2	123907-11280	WASHER	8							
34	2	129907-11650	ARM, ROCKER	4							
36	3	129150-11230	SCREW, VALVE ADJUST	4							
37	3	129150-11750	NUT, M8	4							
38	2	129907-11660	ARM, ROCKER	4							
40	3	129150-11230	SCREW, VALVE ADJUST	4							
41	3	129150-11750	NUT, M8	4							
42	2	129907-11920	RETAINER	4							
43	2	26226-080222	STUD, M8X 22	2							
44	1	26106-080402	BOLT, M8X 40 PLATED	2							
45	1	26106-080602	BOLT, M8X 60 PLATED	4							
46	1	26106-080602	BOLT, M8X 60 PLATED	2							
47	1	24311-000120	O-RING, 1AP12.0	4							
48	1	129907-11950	BOLT, M8X75	4							
49	1	26306-080002	NUT, M8	2							
50	1	124160-01751	COVER, FILLER	1							
51	1	129908-11320	BONNET ASSY, HEAD	1							
52	2	129907-03011	PLATE	1							
53	2	129907-03061	BAFFLE, BREATHER	1							
54	2	129907-03070	BAFFLE, BREATHER	1							
57	2	129907-11310	GASKET, BONNET	1							
58	2	119100-11330	ELBOW	1							
59	2	22857-500100	SCREW, 5X10	6							
60	1	119802-11870	PROTECTOR, NOZZLE	4							
61	1	119625-11880	SEAT, NOZZLE	4							
62	1	124160-11360	KNOB	4							
63	1	24311-000120	O-RING, 1AP12.0	4							

Remarks

- (1) REPAIR PART.
- (2) OPTIONAL PART.

Fig.4. CYLINDER HEAD & BONNET



(A)=4TNV98T-NU2
(B)=
(C)=

(D)=
(E)=
(F)=

No.	Lev.	Parts No.	Description	Qty						I	R
				(A)	(B)	(C)	(D)	(E)	(F)		
64	1	24311-000320	O-RING, 1P32.0	1							
65	1	129907-11910	RETAINER, NOZZLE	4							
66	1	129908-03099	HOSE, BREATHER	1							
67	1	129908-03209	BREATHER ASSY	1							
68	2	123901-03240	FILTER	3							
69	2	129908-03219	COVER, BREATHER	1							
70	2	129908-03229	BREATHER	1							
71	2	26116-050102	BOLT, M5X 10 PLATED	4							
72	1	129935-03260	HOSE ASSY RETURN	1							
74	2	129935-03270	TUBE, CORRUGATED	1							
75	1	119006-03090	HOSE, BREATHER	1							
76	1	23000-022000	CLAMP, 22	2							
77	1	129410-03990	CLIP	2							
78	1	129960-03990	CLIP, HOSE 22	1							
79	1	123901-03280	ELBOW, PT3/8-10	1							
80	1	129150-03100	RETAINER, PIPE	1							
81	1	26106-080122	BOLT, M8X 12 PLATED	1							
82	1	97770-1207F	GASKET LIQUID	1							2
83	1	26106-080142	BOLT, M8X 14 PLATED	2							

Remarks

- (1) REPAIR PART.
- (2) OPTIONAL PART.

Fig.5. SUCTION MANIFOLD

(A)=4TNV98T-NU2
(B)=
(C)=

(D)=
(E)=
(F)=

No.	Lev.	Parts No.	Description	Q'ty						I	R
				(A)	(B)	(C)	(D)	(E)	(F)		
1	1	129907-12100	MANIFOLD, AIR INTAKE	1							
2	1	129907-12110	GASKET, MANIFOLD	1							
3	1	26106-080552	BOLT, M8X 55 PLATED	9							
4	1	26106-080852	BOLT, M8X 85 PLATED	1							
5	1	119129-77020	GASKET	1							
6	1	121850-77021	GASKET	1							
7	1	119005-77050	HEATER	1							
8	1	129908-18350	DUCT, AIR	1							
9	1	26106-080702	BOLT, M8X 70 PLATED	2							
10	1	26106-081202	BOLT, M8X120 PLATED	2							
11	1	123951-18220	JOINT, RUBBER	1							
12	1	23000-054000	CLAMP, 54	2							

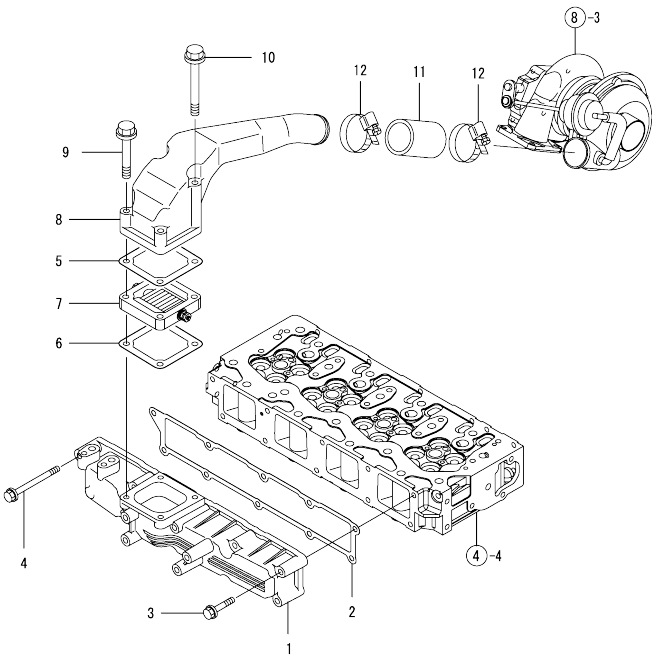
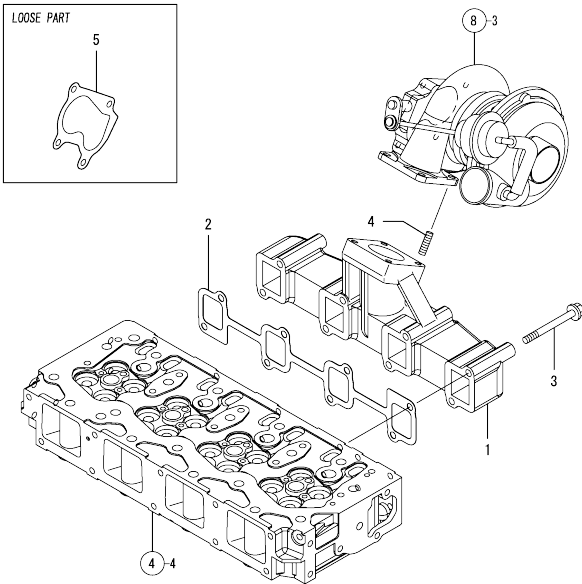


Fig.6. EXHAUST MANIFOLD

(A)=4TNV98T-NU2
(B)=
(C)=

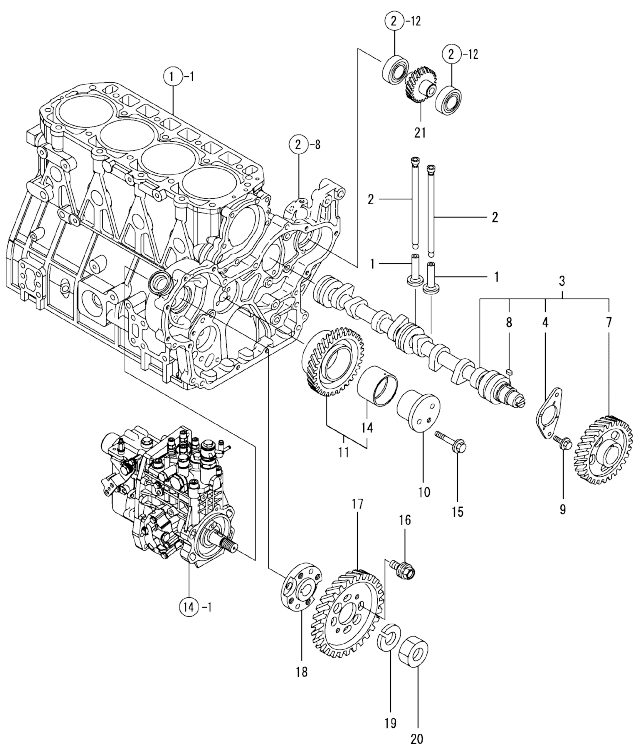
(D)=
(E)=
(F)=

No.	Lev.	Parts No.	Description	Q'ty					
				(A)	(B)	(C)	(D)	(E)	(F)
1	1	129908-13100	MANIFOLD, EXHAUST	1					
2	1	129900-13251	GASKET	1					
3	1	123900-13630	BOLT, M8X80	8					
4	1	129418-18320	STUD, M8X20	4					
5	1	123901-18080	GASKET	1					



OCR10-M61400 ENGINE SECTION (4TNV98T-NU2)
 Fig.7. CAMSHAFT & DRIVING GEAR

OCR10-M61400 Fig.7



(A)=4TNV98T-NU2
 (B)=
 (C)=

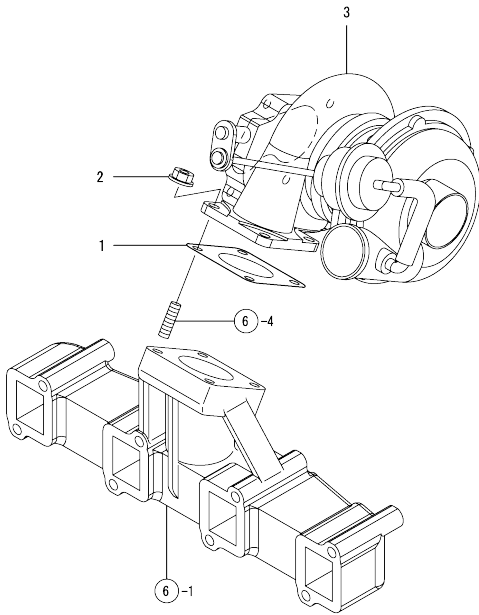
(D)=
 (E)=
 (F)=

No.	Lev.	Parts No.	Description	Q'ty						I	R
				(A)	(B)	(C)	(D)	(E)	(F)		
1	1	129150-14200	TAPPET	8							
2	1	129907-14400	ROD, PUSH	8							
3	1	129908-14581	CAMSHAFT ASSY	1							
4	2	129150-02450	BEARING, THRUST	1							
7	2	129900-14100	GEAR, CAMSHAFT	1							
8	2	22512-070140	KEY, 7X 14	1							
9	1	26106-080162	BOLT, M8X 16 PLATED	2							
10	1	123900-25060	SHAFT, IDLE GEAR	1							
11	1	129900-25100	GEAR ASSY, IDLE	1							
14	2	129150-25920	BUSH, IDLE GEAR	1							1
15	1	26106-080552	BOLT, M8X 55 PLATED	3							
16	1	129953-25300	BOLT	4							
17	1	129907-25900	GEAR, PUMP	1							
18	1	158563-51150	FLANGE	1							
19	1	22217-180000	WASHER, SPRING 18	1							
20	1	26776-180002	NUT, LOCK M18	1							
21	1	129980-26200	GEAR, PUMP	1							

Remarks
 (1) REPAIR PART.

N:Old $\frac{100}{100}$ New, Q:Old $\frac{100}{100}$ New, R:Old $\frac{100}{100}$ New, S:Old $\frac{100}{100}$ New, W:Add, Z:Discontinued, F:Interchangeable by set, K:Q'ty Change
 Copyright (C) YANMAR GLOBAL CS CO., LTD. All Rights Reserved.

Fig.8. TURBINE

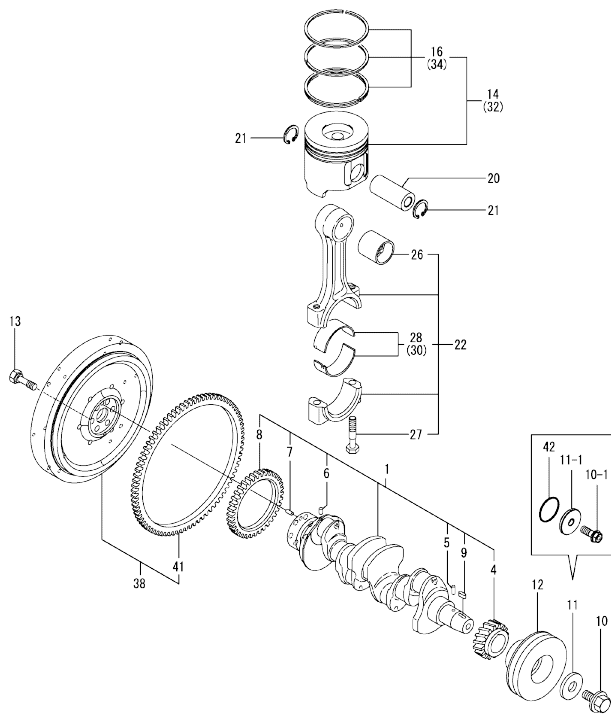


(A)=4TNV98T-NU2
(B)=
(C)=

(D)=
(E)=
(F)=

No.	Lev.	Parts No.	Description	Q'ty					
				(A)	(B)	(C)	(D)	(E)	(F)
1	1	129472-18090	GASKET	1					
2	1	26306-080002	NUT, M8	4					
3	1	129908-18010	TURBINE, RHF5	1					

Fig.9. CRANKSHAFT & PISTON



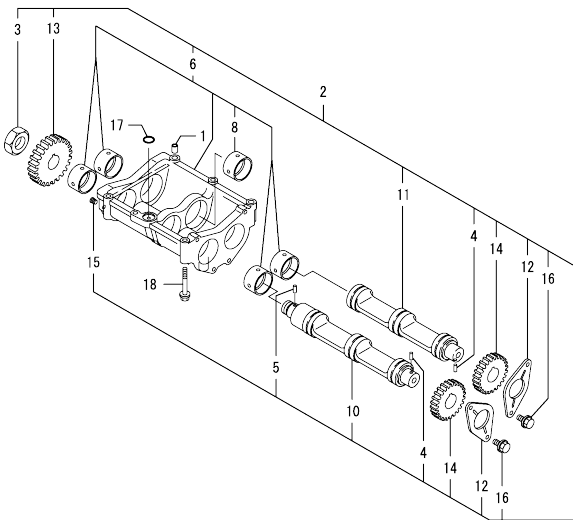
(A)=4TNV98T-NU2
(B)=
(C)=

(D)=
(E)=
(F)=

No.	Lev.	Parts No.	Description	Q'ty						I	R
				(A)	(B)	(C)	(D)	(E)	(F)		
1	1	129956-21000	CRANKSHAFT ASSY	1							
4	2	129900-21200	GEAR, CRANKSHAFT	1							
5	2	121850-21290	PIN	1							
6	2	121850-21290	PIN	1							
7	2	121850-21920	PIN, PARALLEL 10X22	1							
8	2	129956-28321	GEAR, BALANCER	1							
9	2	22512-070140	KEY, 7X 14	1							
10	1	121850-21680	BOLT	1							
10-1	1	129916-21610	BOLT, V-PULLEY	1							N
(A="2018.08)											
11	1	129900-21640	WASHER	1							
11-1	1	129960-21940	WASHER, V-PULLEY	1							N
(A="2018.08)											
12	1	129907-21660	V-PULLEY, CRANK 130	1							
13	1	121850-21130	BOLT, FLYWHEEL	6							
14	1	129908-22080	PISTON ASSY	4							
16	2	129907-22050	RING SET, PISTON	4							
20	1	120130-22301	PIN, PISTON	4							
21	1	22252-000300	RING, 30	8							
22	1	129900-23001	ROD ASSY, CONNECTING	4							
26	2	129900-23911	BEARING, PISTON PIN	4							1
27	2	129900-23200	BOLT, CONNECTING ROD	8							
28	2	129900-23600	BEARING, CRANK PIN	4							
30	1	129900-23610	BEARING ASSY, 0.25US	4							2
32	1	729908-22900	PISTON ASSY, 0.25 OS	4							3
34	2	729907-22950	RING SET, 0.25 OS	4							3
38	1	129920-21570	FLYWHEEL ASSY	1							
41	2	129900-21600	GEAR, RING	1							
42	1	129960-21930	GASKET, WASHER	1							W
(A="2018.08)											

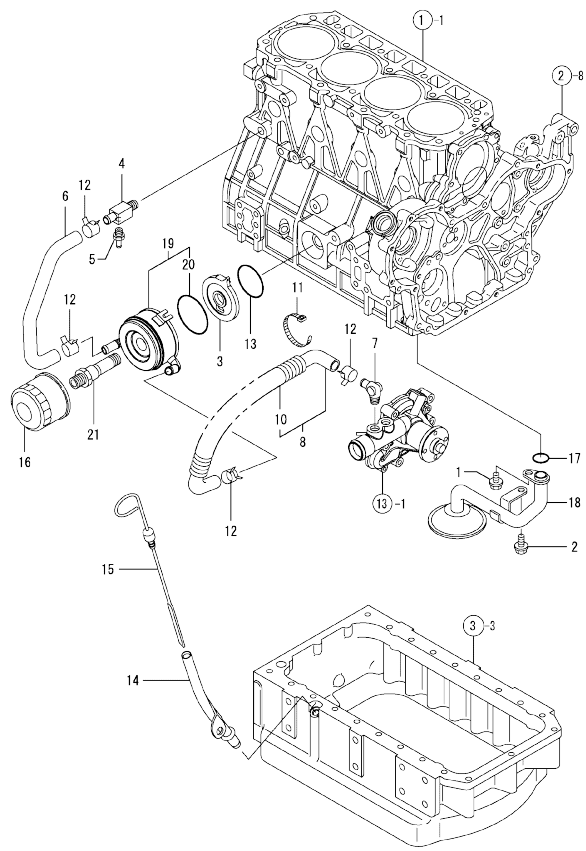
Remarks
(1) REPAIR PART.
(2) UNDER-SIZE(U.S=0.25)PART.
(3) OVER-SIZE(O.S=0.25)PART.

Fig.10. BALANCER



No.	Lev.	Parts No.	Description	Q'ty						I	R
				(A)	(B)	(C)	(D)	(E)	(F)		
1	1	129795-01960	PIPE, DOWEL 11X12	2							
2	1	129956-28009	BALANCER ASSY	1							
2-1	1	129956-28030	BALANCER ASSY	1							R
(A=E76919)											
3	2	128610-14120	NUT, END	1							
4	2	121850-21290	PIN	2							
5	2	121850-21290	PIN	1							
6	2	129956-28019	CASE ASSY, BALANCER	1							
6-1	2	129956-28040	CASE ASSY, BALANCER	1							R
(A=E76919)											
8	3	129956-28200	BUSH, BALANCER	2							
8-1	3	129956-28210	BUSH, BALANCER A	2							R
(A=E76919)											
10	2	129956-28101	SHAFT, BALANCER	1							
11	2	129956-28111	SHAFT, BALANCER	1							
12	2	129956-28180	PLATE, THRUST	2							
13	2	129956-28332	GEAR, BALANCER	1							
14	2	129956-28341	GEAR, BALANCER	2							
15	2	23876-005000	PLUG, R005	1							
16	2	26106-080162	BOLT, M8X 16 PLATED	4							
17	1	24311-000200	O-RING, 1AP20.0	1							
18	1	26106-080602	BOLT, M8X 60 PLATED	6							

Fig.11. LUB.OIL SYSTEM

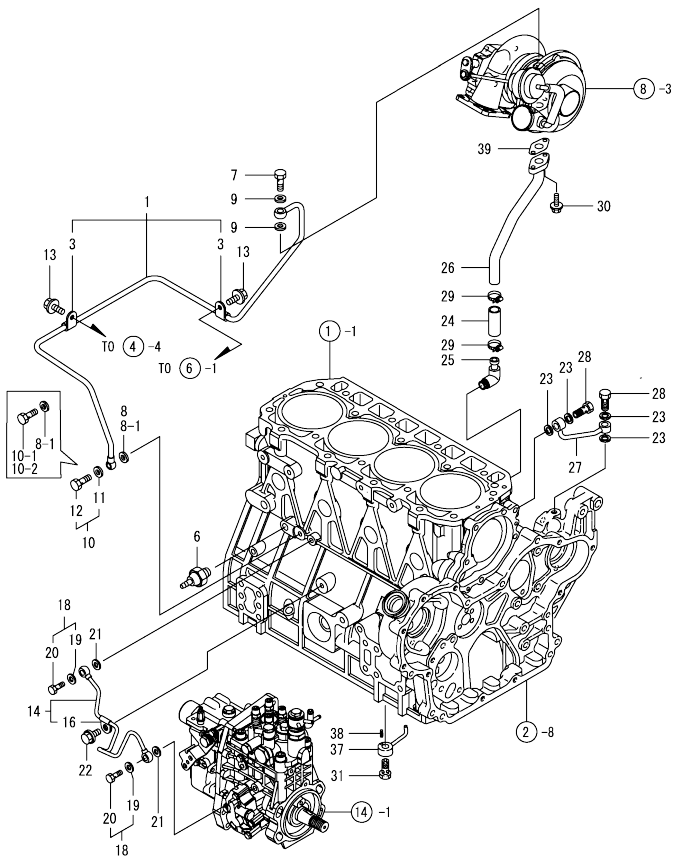


No.	Lev.	Parts No.	Description	Q'ty						I	R	
				(A)	(B)	(C)	(D)	(E)	(F)			
1	1	26106-080142	BOLT, M8X 14 PLATED	1								
2	1	26106-080202	BOLT, M8X 20 PLATED	1								
3	1	129908-33101	BRACKET, COOLER	1								
4	1	129006-44480	JOINT	1								
5	1	121550-49111	JOINT, PT1/4	1								
6	1	129908-49060	PIPE, WATER	1								
7	1	129466-49300	ELBOW, PT3/8	1								
8	1	123910-49600	PIPE, WATER	1								
10	2	123910-49610	TUBE, CORRUGATED	1								
11	1	121750-59890	BAND, 140	1								
12	1	23000-025000	CLAMP, 25	4								
13	1	24321-000600	O-RING, 1AG60.0	1								
14	1	119860-34810	GUIDE, DIPSTICK	1								
15	1	129956-34810	DIPSTICK, OIL	1								
16	1	129150-35170	FILTER, LO	1								1
17	1	129900-32030	O-RING, P20	1								
18	1	129956-35000	PIPE ASSY, OIL INLET	1								
19	1	129908-33010	COOLER ASSY, OIL	1								
20	2	123912-33050	O-RING	1								
21	1	123912-33100	BOLT, COOLER	1								

Remarks
(1) REPAIR PART.

N:Old $\frac{100}{100}$ New, Q:Old $\frac{100}{100}$ New, R:Old $\frac{100}{100}$ New, S:Old $\frac{100}{100}$ New, W:Add, Z:Discontinued, F:Interchangeable by set, K:Q'ty Change
Copyright (C) YANMAR GLOBAL CS CO., LTD. All Rights Reserved.

Fig.12. LUB.OIL LINE



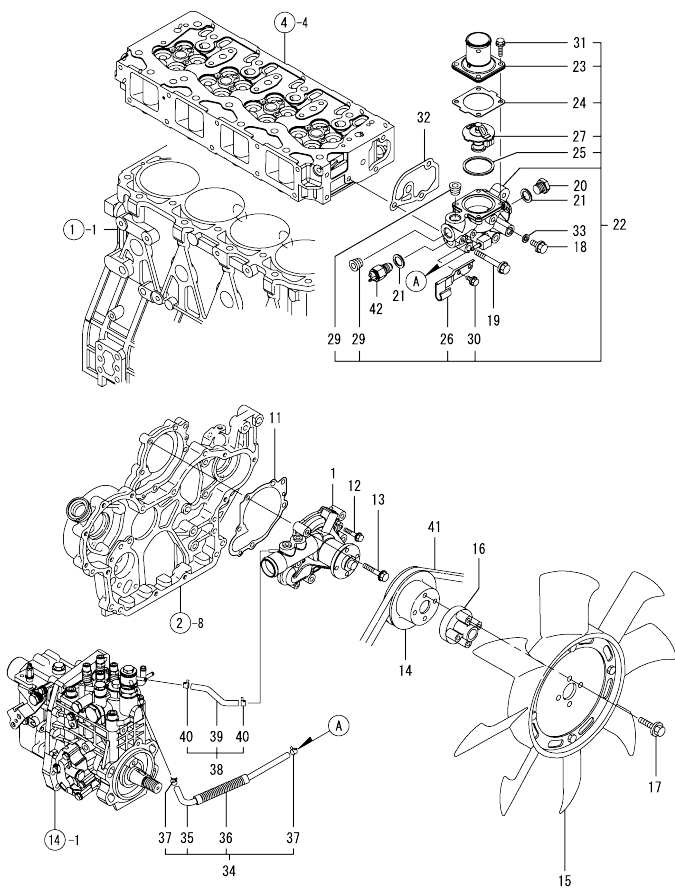
(A)=4TNV98T-NU2
(B)=
(C)=

(D)=
(E)=
(F)=

No.	Lev.	Parts No.	Description	Q'ty						I	R
				(A)	(B)	(C)	(D)	(E)	(F)		
1	1	129908-39070	PIPE ASSY, OIL	1							
3	2	124223-39900	RETAINER	2							
6	1	114250-39450	SWITCH, HYDRAULIC	1							
7	1	121252-39150	BOLT, JOINT M10X1.5	1							
8	1	22190-080002	WASHER, SEAL 6	1							
8-1	1	22190-080002	WASHER, SEAL 8	2							K
(A=2010.06)											
9	1	23414-100000	GASKET, 10X1.0	2							
10	1	129005-59830	BOLT ASSY, JOINT M8	1							
10-1	1	105010-39140	BOLT, PIPE JOINT M8	1							S
(A=2010.06)											
10-2	1	129198-59540	BOLT, PIPE JOINT M8	1							S
(A=2020.06)											
11	2	22190-080002	WASHER, SEAL 6	1							Z
(A=2010.06)											
12	2	23857-030000	BOLT, JOINT 3	1							Z
(A=2010.06)											
13	1	26106-080122	BOLT, M8X 12 PLATED	2							
14	1	129907-39061	PIPE ASSY, OIL	1							
16	2	123907-39500	RETAINER, PIPE	1							
18	1	129005-59830	BOLT ASSY, JOINT M8	2							
19	2	22190-080002	WASHER, SEAL 6	2							
20	2	23857-030000	BOLT, JOINT 3	2							
21	1	22190-080002	WASHER, SEAL 6	2							
22	1	26106-080122	BOLT, M8X 12 PLATED	1							
23	1	22190-080002	WASHER, SEAL 6	4							
24	1	123901-39820	HOSE, LO RETURN	1							
25	1	124070-13300	ELBOW, PT3/8	1							
26	1	129908-39610	PIPE, OIL	1							
27	1	129930-39050	PIPE, OIL	1							
28	1	105010-39140	BOLT, PIPE JOINT	2							
29	1	23000-025000	CLAMP, 25	2							
30	1	26106-060162	BOLT, M6X 16 PLATED	2							
31	1	129908-39410	VALVE ASSY, CHECK	4							
37	1	119000-39650	NOZZLE, COOLING	4							
38	1	22351-030010	PIN, SPRING 3.0X10	4							
39	1	129908-39690	GASKET	1							

OCR10-M61400 ENGINE SECTION (4TNV98T-NU2)
 Fig.13. COOLING WATER SYSTEM

OCR10-M61400 Fig.13



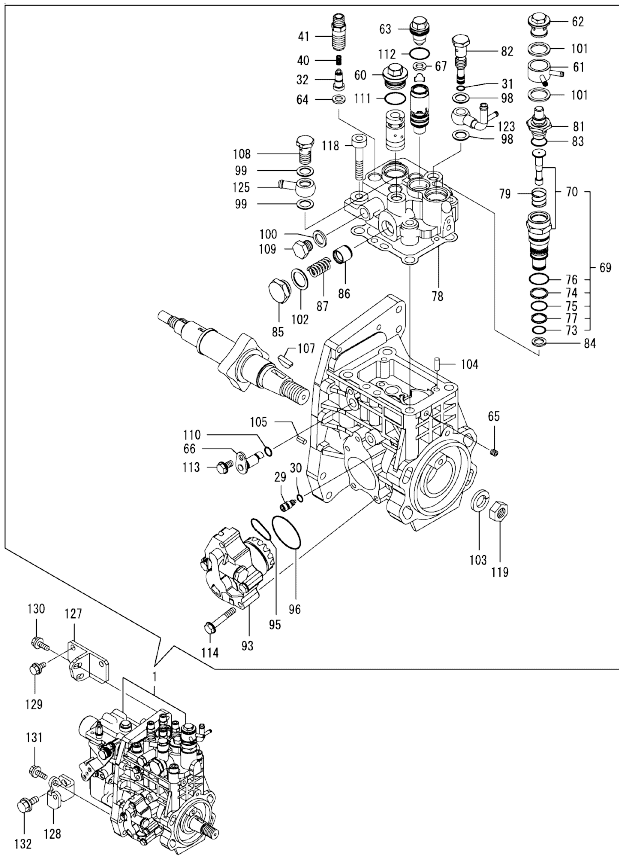
(A)=4TNV98T-NU2
 (D)=
 (E)=
 (F)=

(D)=
 (E)=
 (F)=

No.	Lev.	Parts No.	Description	Q'ty						I	R
				(A)	(B)	(C)	(D)	(E)	(F)		
1	1	129907-42000	PUMP ASSY, WATER	1							
11	1	129900-42020	GASKET, WATER PUMP	1							
12	1	26106-060302	BOLT, M6X 30 PLATED	2							
13	1	26106-080552	BOLT, M8X 55 PLATED	5							
14	1	129900-42450	V-PULLEY	1							
15	1	129920-44740	FAN, COOLING	1							
16	1	119141-44760	SPACER, FAN	1							
17	1	26106-080552	BOLT, M8X 55 PLATED	4							
18	1	26106-080122	BOLT, M8X 12 PLATED	1							
19	1	26106-080602	BOLT, M8X 60 PLATED	3							
20	1	121450-42450	PLUG, M16	1							
21	1	124465-44950	GASKET, 16	2							
22	1	129946-49810	CASE ASSY, THERMOSTAT	1							
23	2	129916-49530	COVER, THERMOSTAT	1							
24	2	121850-49540	GASKET, THERMOSTAT	1							
25	2	121850-49550	GASKET, THERMOSTAT	1							
26	2	129907-49730	RETAINER, PIPE	1							
27	2	121850-49800	THERMOSTAT, 82	1							
29	2	23875-030000	PLUG, R03	2							
30	2	26106-060122	BOLT, M6X 12 PLATED	1							
31	2	26106-060202	BOLT, M6X 20 PLATED	4							
32	1	129900-49870	GASKET	1							
33	1	23414-080000	GASKET, 8X1.0	1							
34	1	129907-49610	HOSE ASSY, WATER	1							
35	2	129907-49710	PIPE ASSY, WATER	1							
36	2	129907-49750	TUBE, CORRUGATED	1							
37	2	124722-59050	CLIP, HOSE 9	2							
38	1	129907-49620	HOSE ASSY, WATER	1							
39	2	129907-49720	PIPE ASSY, WATER	1							
40	2	124722-59050	CLIP, HOSE 9	2							
41	1	25132-004100	V-BELT, A41	1							
42	1	121250-44901	SWITCH, 110	1							

N:Old $\frac{100}{100}$ New, Q:Old $\frac{100}{100}$ New, R:Old $\frac{100}{100}$ New, S:Old $\frac{100}{100}$ New, W:Add, Z:Discontinued, F:Interchangeable by set, K:Q'ty Change
 Copyright (C) YANMAR GLOBAL CS CO., LTD. All Rights Reserved.

Fig.14. FUEL INJECTION PUMP



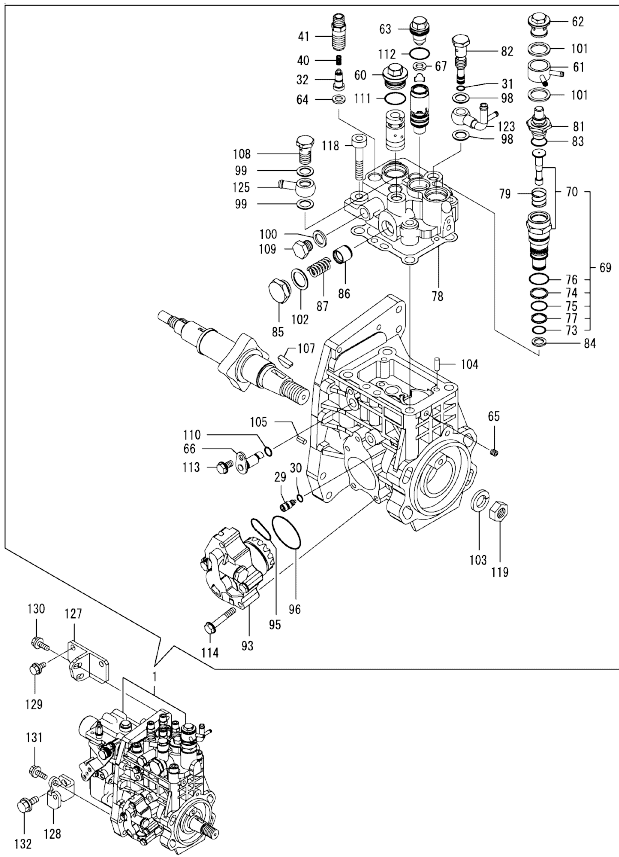
(A)=4TNV98T-NU2
(B)=
(C)=

(D)=
(E)=
(F)=

No.	Lev.	Parts No.	Description	(A)	(B)	(C)	(D)	(E)	(F)	Q'ty	I	R
1	1	729972-51390	PUMP ASSY, INJECTION	1								1
29	2	158600-51270	STOPPER, TAPPET	1								
30	2	158563-51281	O-RING, 4D S6	1								
31	2	158563-51281	O-RING, 4D S6	1								
32	2	158560-51300	VALVE ASSY, DELIVERY	4								
40	2	158563-51330	SPRING, DELIVERY	4								
41	2	158560-51340	HOLDER, DELIVERY	4								
60	2	158601-51550	PLUG	1								
61	2	158553-51551	JOINT	1								
62	2	158601-51570	PLUG	1								
63	2	129907-51560	PLUG, BARREL	1								
64	2	158552-51570	GASKET	4								
65	2	158557-51570	PLUG	1								
66	2	158552-51580	LIFTER	1								
67	2	129906-51580	GASKET	1								
69	2	119802-51590	TIMER SET	1								
70	3	119802-51600	TIMER ASSY	1								
73	3	158553-51670	O-RING, 1011	1								
74	3	119802-51680	RING, BACK UP	1								
75	3	119802-51690	O-RING	1								
76	3	24356-010200	O-RING, 4D1020	1								
77	3	24372-000150	RING, BACK UP T2P15	1								
78	2	158560-51600	GASKET	1								
79	2	158553-51630	SPRING, TIMER	1								
81	2	158553-51640	ELEMENT	1								
82	2	158601-51650	JOINT, OVER FLOW	1								
83	2	158553-51660	O-RING, P14	1								
84	2	158553-51680	GASKET	1								
85	2	158601-51790	PLUG	1								
86	2	158601-51770	PISTON	1								
87	2	158552-51780	SPRING	1								
93	2	158552-52100	PUMP ASSY, FUEL FEED	1								
95	2	158552-52310	O-RING	1								
96	2	158552-52400	O-RING, 4E S42	1								
98	2	22190-120002	WASHER, SEAL 12	2								
99	2	22190-120002	WASHER, SEAL 12	2								
100	2	22190-120002	WASHER, SEAL 12	1								
101	2	22190-180002	WASHER, SEAL 18	2								
102	2	22190-180002	WASHER, SEAL 18	1								
103	2	22217-180000	WASHER, SPRING 18	1								
104	2	22312-050140	PIN, PARALLEL M5X14	2								
105	2	22351-050010	PIN, SPRING 5.0X10	2								
107	2	144626-51090	KEY, 5X19	1								
108	2	23857-060000	BOLT, JOINT 6	1								
109	2	23887-120002	PLUG, 12	1								
110	2	24311-000070	O-RING, 1AP7.0	1								
111	2	24356-010200	O-RING, 4D1020	1								
112	2	24356-020210	O-RING, 4D2021	1								
113	2	26106-060102	BOLT, M6X 10 PLATED	1								
114	2	26106-060352	BOLT, M6X 35 PLATED	4								
118	2	26450-100452	BOLT, M10X 45	4								

Remarks
(1) GOVERNOR ASSY(FIG.15) IS
INCORPORATED IN THIS FOP.CMP
(REF.NO.1).

Fig.14. FUEL INJECTION PUMP



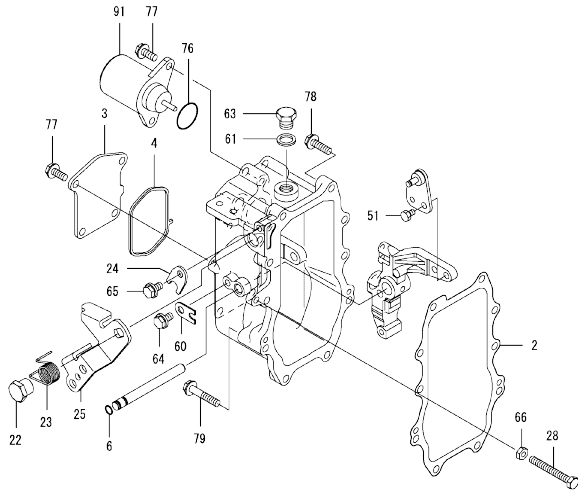
(A)=4TNV98T-NU2
(B)=
(C)=

(D)=
(E)=
(F)=

No.	Lev.	Parts No.	Description	Q'ty					
				(A)	(B)	(C)	(D)	(E)	(F)
119	2	26776-180002	NUT, LOCK M18	1					
123	2	158552-51670	JOINT, OVER FLOW	1					
125	2	129916-59020	JOINT, PIPE 12	1					
127	1	129907-01950	RETAINER	1					
128	1	129907-01960	RETAINER	1					
129	1	26106-080162	BOLT, M8X 16 PLATED	2					
130	1	26106-080222	BOLT, M8X 22 PLATED	2					
131	1	26106-080222	BOLT, M8X 22 PLATED	1					
132	1	26106-100202	BOLT, M10X 20 PLATED	1					

Remarks
(1) GOVERNOR ASSY(FIG.15) IS
INCORPORATED IN THIS FOP.CMP
(REF.NO.1).

Fig.15. GOVERNOR



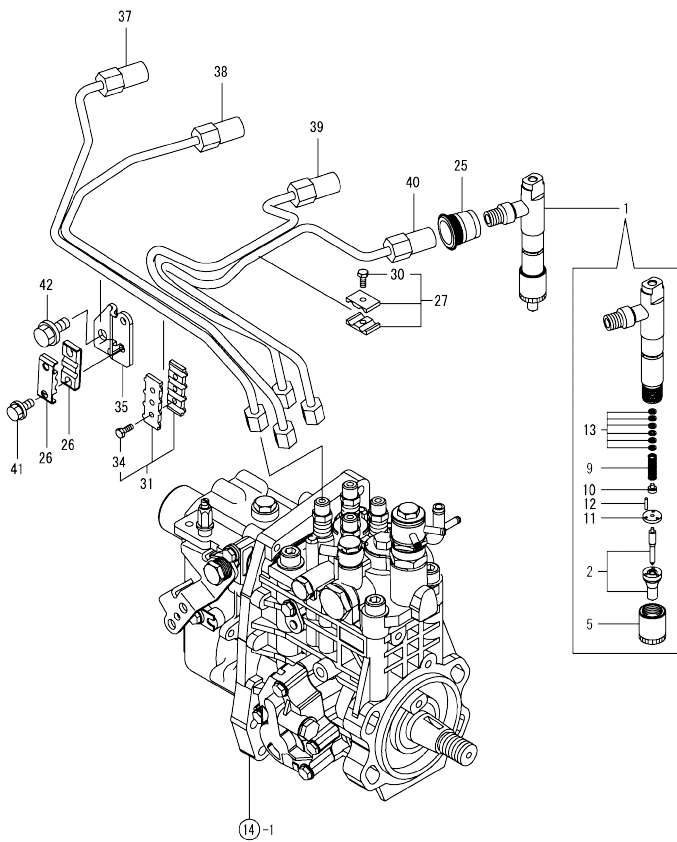
(A)=4TNV98T-NU2
(B)=
(C)=

(D)=
(E)=
(F)=

No.	Lev.	Parts No.	Description	Q'ty						I	R
				(A)	(B)	(C)	(D)	(E)	(F)		
2	2	158560-61050	GASKET	1							
3	2	158560-61061	COVER, GOVERNOR CASE	1							
4	2	158560-61071	GASKET	1							
6	2	129155-51280	O-RING, S6	1							
22	2	129255-61410	NUT, LOCK	1							
23	2	119807-61420	SPRING, RETURN	1							
24	2	158560-61430	RETAINER, SHAFT	1							
25	2	158560-61441	LEVER, REGULATOR	1							
28	2	129155-61460	BOLT, IDLE	1							
51	2	26116-060102	BOLT, M6X 10 PLATED	1							
60	2	119660-61901	RETAINER, SHAFT	1							
61	2	22190-160002	WASHER, SEAL 16	1							
63	2	23887-160002	PLUG, 16	1							
64	2	26106-060102	BOLT, M6X 10 PLATED	1							
65	2	26106-060102	BOLT, M6X 10 PLATED	1							
66	2	26756-060002	NUT, LOCK M6	1							
76	2	24341-000280	O-RING, 1AS28.0	1							
76-1	2	158552-61900	O-RING	1							N
(A=EXXXXXX)											
77	2	26106-060142	BOLT, M6X 14 PLATED	6							
78	2	26106-060252	BOLT, M6X 25 PLATED	8							
79	2	26106-060402	BOLT, M6X 40 PLATED	2							
91	2	119653-77950	SOLENOID, STOP	1							

Remarks
* THIS FIGURE(GOVERNOR ASSY)IS
INCORPORATED IN THE FUEL INJECTION
PUMP ASSY(FIG.14).

Fig.16. FUEL INJECTION VALVE

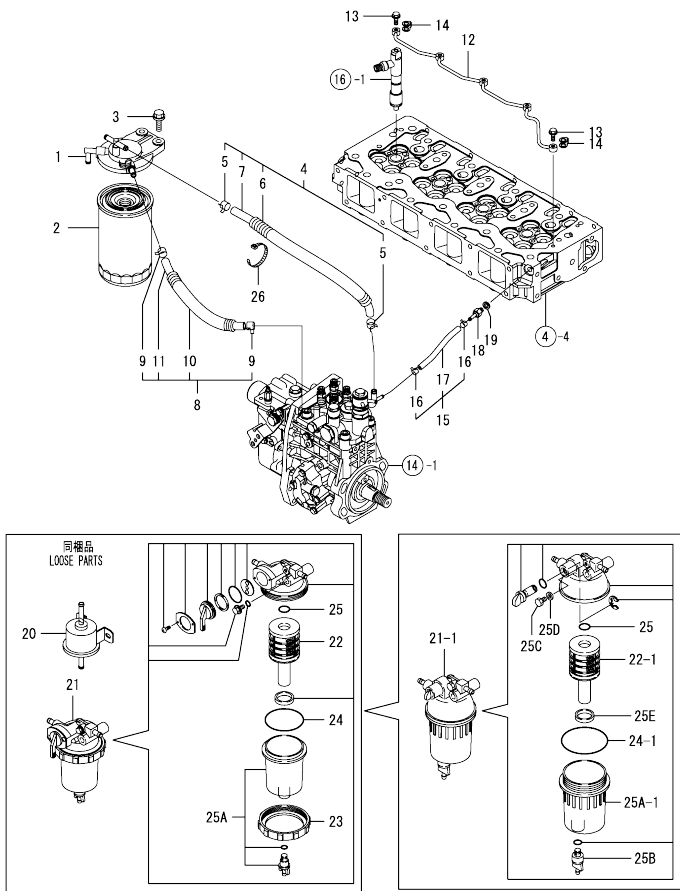


No.	Lev.	Parts No.	Description	Q'ty						I	R
				(A)	(B)	(C)	(D)	(E)	(F)		
1	1	729908-53100	VALVE ASSY,INJECTION	4							
2	2	129908-53000	VALVE ASSY,INJECTION	4							
5	2	114250-53080	NUT, NOZZLE D16.95	4							
9	2	114250-53120	SPRING, NOZZLE	4							
10	2	114250-53130	SEAT, SPRING	4							
11	2	114250-53140	PLATE	4							
12	2	114250-53210	PIN	8							
13	2	114250-53400	SHIM SET	4							
25	1	123907-11601	SEAL	4							
26	1	122780-59100	RETAINER	2							
27	1	119305-59120	RETAINER, PIPE	1							
30	2	129150-59131	BOLT, M4X14	1							
31	1	129550-59120	RETAINER, PIPE	1							
34	2	129150-59131	BOLT, M4X14	2							
35	1	129907-59710	SUPPORT	1							
37	1	129908-59810	PIPE ASSY, INJECTION	1							
38	1	129908-59820	PIPE ASSY, INJECTION	1							
39	1	129908-59830	PIPE ASSY, INJECTION	1							
40	1	129908-59840	PIPE ASSY, INJECTION	1							
41	1	26106-060162	BOLT, M6X 16 PLATED	2							
42	1	26106-080182	BOLT, M8X 18 PLATED	1							

Fig.17. FUEL LINE

(A)=4TNV98T-NU2
(B)=
(C)=

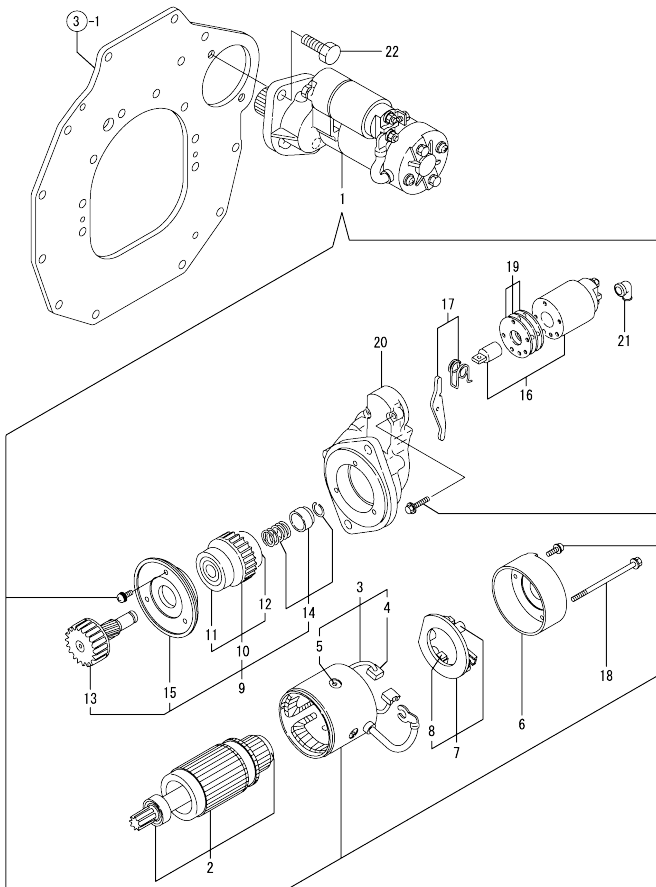
(D)=
(E)=
(F)=



No.	Lev.	Parts No.	Description	Q'ty						I	R
				(A)	(B)	(C)	(D)	(E)	(F)		
1	1	129004-55611	BRACKET, FILTER	1							
2	1	123907-55800	FILTER, FUEL	1							
3	1	26106-080302	BOLT, M8X 30 PLATED	2							
4	1	129457-59010	PIPE ASSY, FUEL	1							
5	2	124766-59050	CLIP, HOSE 12	2							
6	2	129957-59120	TUBE, CORRUGATED	1							
7	2	105025-59750	PIPE, FUEL	1							
8	1	129981-59010	PIPE ASSY, FUEL	1							
9	2	124766-59050	CLIP, HOSE 12	2							
10	2	129950-59221	TUBE, CORRUGATED	1							
11	2	129980-59510	PIPE, FUEL	1							
12	1	129907-59140	PIPE ASSY, RETURN	1							
13	1	123907-59540	BOLT, PIPE JOINT M6	5							
14	1	123907-59550	GASKET	5							
15	1	129486-59551	PIPE ASSY, RETURN	1							
16	2	124722-59050	CLIP, HOSE 9	2							
17	2	129486-59510	PIPE, FUEL RETURN	1							
18	1	123907-59560	JOINT	1							
19	1	22190-080002	WASHER, SEAL 6	1							
20	1	119225-52102	PUMP ASSY, FUEL FEED	1							
21	1	119802-55700	SEPARATOR ASSY	1							
21-1	1	129242-55700	SEPARATOR ASSY	1							N
		(A=2008.08.)									
22	2	119802-55710	ELEMENT	1							
22-1	2	129242-55730	ELEMENT	1							S
		(A=2008.08.)									
23	2	129100-55690	RING, RETAINING	1							Z
		(A=2008.08.)									
24	2	24321-000650	O-RING, 1AG65.0	1							
24-1	2	24321-000750	O-RING, 1AG75.0	1							S
		(A=2008.08.)									
25	2	24311-000160	O-RING, 1AP16.0	1							
25A	2	119802-55730	CUP ASSY	1							W
		(A=FROM 1ST)									
25A-1	2	129242-55720	CUP	1							S
		(A=2008.08.)									
25B	2	129242-55740	PLUG, DRAIN	1							W
		(A=2008.08.)									
25C	2	129242-55750	VALVE, AIR VENT	1							W
		(A=2008.08.)									
25D	2	129242-55760	GASKET	1							W
		(A=2008.08.)									
25E	2	129242-55770	FLOAT	1							W
		(A=2008.08.)									
26	1	121750-59890	BAND, 140	1							

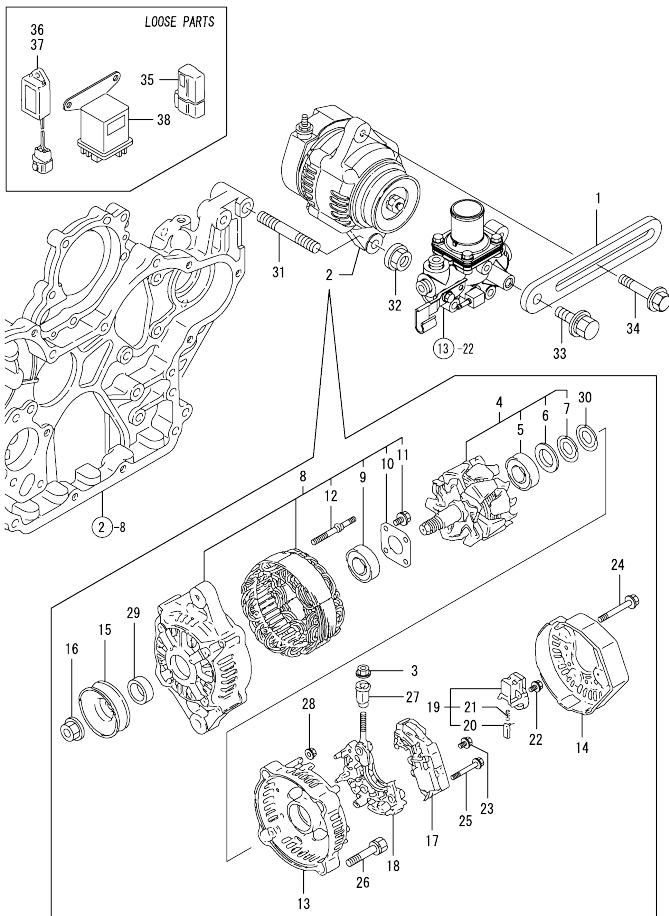
N:Old $\frac{100}{100}$ New, Q:Old $\frac{100}{100}$ New, R:Old $\frac{100}{100}$ New, S:Old $\frac{100}{100}$ New, W:Add, Z:Discontinued, F:Interchangeable by set, K:Q'ty Change
Copyright (C) YANMAR GLOBAL CS CO., LTD. All Rights Reserved.

Fig.18. STARTING MOTOR



No.	Lev.	Parts No.	Description	Q'ty					
				(A)	(B)	(C)	(D)	(E)	(F)
1	1	129900-77010	STARTER	1					
2	2	129900-77400	ARMATURE ASSY	1					
3	2	129900-77440	COIL ASSY, FIELD	1					
4	3	129900-77450	BRUSH	2					
5	3	171008-77450	SCREW	4					
6	2	129900-77460	COVER	1					
7	2	129900-77480	HOLDER ASSY, BRUSH	1					
8	3	129900-77500	BRUSH	2					
9	2	129900-77510	PINION ASSY	1					
10	3	129900-77520	CLUTCH ASSY	1					
11	4	171008-77730	BEARING, BALL	1					
12	4	171008-77740	BEARING	1					
13	3	129900-77540	SHAFT	1					
14	3	129900-77550	STOPPER SET	1					
15	3	129900-77610	RETAINER	1					
16	2	129900-77591	SWITCH ASSY	1					
17	2	129900-77620	LEVER SET	1					
18	2	129900-77640	BOLT, THROUGH	2					
19	2	129900-77650	COVER ASSY, DUST	1					
20	2	129900-77710	CASE, GEAR	1					
21	2	171008-77750	COVER	1					
22	1	26116-120302	BOLT, M12X 30 PLATED	2					

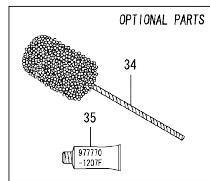
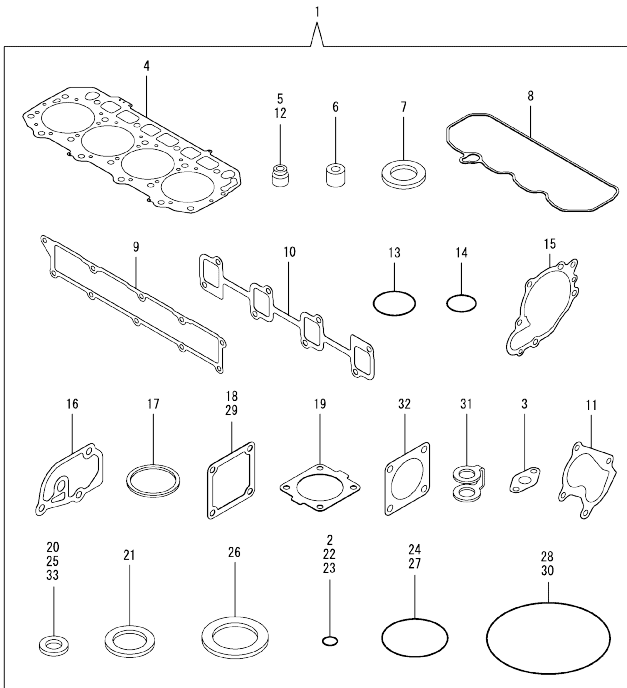
Fig.19. GENERATOR



No.	Lev.	Parts No.	Description	Q'ty					
				(A)	(B)	(C)	(D)	(E)	(F)
1	1	129900-77330	ADJUSTER	1					
2	1	129423-77200	GENERATOR, 12V-40A	1					
3	2	X9490561001	NUT	1					
4	2	119620-77380	ROTOR ASSY	1					
5	3	119620-79240	BEARING, BALL	1					
6	3	119620-79250	COVER	1					
7	3	119620-79360	WASHER, THRUST	1					
8	2	119620-77421	FRAME ASSY, DRIVE	1					
9	3	119620-79200	BEARING, BALL	1					
10	3	119620-79210	PLATE, RETAINER	1					
11	3	119620-79220	SCREW	4					
12	3	119620-79230	STUD	2					
13	2	119620-77440	FRAME ASSY	1					
14	2	129240-79300	COVER	1					
15	2	119620-77461	PULLEY	1					
16	2	119620-77471	NUT	1					
17	2	129423-77710	REGULATOR ASSY	1					
18	2	119620-79260	HOLDER	1					
19	2	119620-79270	HOLDER, BRUSH	1					
20	3	119620-77480	BRUSH ASSY	2					
21	3	119620-79280	SPRING	2					
22	2	119620-79290	SCREW	1					
23	2	119620-79300	SCREW	1					
24	2	119620-79310	BOLT	3					
25	2	119620-79320	SCREW	2					
26	2	119620-79330	BOLT	2					
27	2	119620-79340	BUSH, INSULATION	1					
28	2	119620-79350	NUT	2					
29	2	119620-77490	COLLAR	1					
30	2	119620-79360	WASHER, THRUST	1					
31	1	129795-01900	STUD	1					
32	1	26306-100002	NUT, M10	1					
33	1	26014-080252	BOLT, M8X 25	1					
34	1	119810-77340	BOLT, ADJUSTER	1					
35	1	119643-66900	DIODE	1					
36	1	128300-77920	TIMER	1					
37	1	129211-77920	TIMER	1					
38	1	119650-77910	RELAY ASSY, GLOW	1					

N:Old $\frac{100}{100}$ New. Q:Old $\frac{100}{100}$ New. R:Old $\frac{100}{100}$ New. S:Old $\frac{100}{100}$ New. W:Add. Z:Discontinued. F:Interchangeable by set. K:Q'ty Change
 Copyright (C) YANMAR GLOBAL CS CO., LTD. All Rights Reserved.

Fig.20. GASKET SET



(A)=4TNV98T-NU2
(B)=
(C)=

(D)=
(E)=
(F)=

No.	Lev.	Parts No.	Description	Qty						I	R	
				(A)	(B)	(C)	(D)	(E)	(F)			
1	1	729907-92890	GASKET SET	1							1	
2	2	24311-000200	O-RING, 1AP20.0	1								
3	2	129908-39690	GASKET	1								
4	2	129907-01331	GASKET, HEAD	1								
5	2	124160-11340	SEAL, VALVE STEM	8								
6	2	119802-11870	PROTECTOR, NOZZLE	4								
7	2	119625-11880	SEAT, NOZZLE	4								
8	2	129907-11310	GASKET, BONNET	1								
9	2	129907-12110	GASKET, MANIFOLD	1								
10	2	129900-13251	GASKET	1								
11	2	123901-18080	GASKET	1								
12	2	124950-11340	SEAL, VALVE STEM	8								
13	2	129900-32030	O-RING, P20	2								
14	2	129900-32040	O-RING, P14	1								
15	2	129900-42020	GASKET, WATER PUMP	1								
16	2	129900-49870	GASKET	1								
17	2	121850-49550	GASKET, THERMOSTAT	1								
18	2	121850-77021	GASKET	1								
19	2	121850-49540	GASKET, THERMOSTAT	1								
20	2	23414-080000	GASKET, 8X1.0	3								
21	2	124465-44950	GASKET, 16	2								
22	2	24311-000070	O-RING, 1AP7.0	1								
23	2	24311-000120	O-RING, 1AP12.0	8								
24	2	24311-000320	O-RING, 1AP32.0	3								
25	2	22190-080002	WASHER, SEAL 6	13								
26	2	22190-160002	WASHER, SEAL 16	2								
27	2	24351-030750	O-RING, 1A3075	1								
28	2	24321-000850	O-RING, 1AG85.0	1								
29	2	119129-77020	GASKET	1								
30	2	24321-000600	O-RING, 1AG60.0	1								
31	2	123907-59550	GASKET	5								
32	2	129472-18090	GASKET	1								
33	2	23414-100000	GASKET, 10X1.0	2								
34	1	129400-92450	HONE	1								1
35	1	977770-1207F	GASKET.LIQUID	1								1

Remarks
(1) OPTIONAL PART.

Parts No. Index

Parts No.	Fig. No.	Ref. No.
105010-39140	12	10 -1
		28
105025-59750	17	7
105425-01690	3	5
114250-39450	12	6
114250-53080	16	5
114250-53120	16	9
114250-53130	16	10
114250-53140	16	11
114250-53210	16	12
114250-53400	16	13
119000-39650	12	37
119005-77050	5	7
119006-03090	4	75
119100-11330	4	58
119129-77020	5	5
	20	29
119141-44760	13	16
119225-52102	17	20
119305-59120	16	27
119309-01810	1	41
119593-11301	4	28
119620-11180	4	18
119620-77380	19	4
119620-77421	19	8
119620-77440	19	13
119620-77461	19	15
119620-77471	19	16
119620-77480	19	20
119620-77490	19	29
119620-79200	19	9
119620-79210	19	10
119620-79220	19	11
119620-79230	19	12
119620-79240	19	5
119620-79250	19	6
119620-79260	19	18
119620-79270	19	19
119620-79280	19	21
119620-79290	19	22
119620-79300	19	23
119620-79310	19	24
119620-79320	19	25
119620-79330	19	26
119620-79340	19	27
119620-79350	19	28
119620-79360	19	7
		30
119625-11880	4	61
	20	7

Parts No.	Fig. No.	Ref. No.
119643-66900	19	35
119650-77910	19	38
119653-77950	15	91
119660-61901	15	60
119802-11870	4	60
	20	6
119802-51590	14	69
119802-51600	14	70
119802-51680	14	74
119802-51690	14	75
119802-55700	17	21
119802-55710	17	22
119802-55730	17	25 A
119807-61420	15	23
119810-77340	19	34
119860-34810	11	14
120130-22301	9	20
121023-26070	2	26
121250-44901	13	42
121252-39150	12	7
121450-42450	13	20
121550-49111	11	5
121750-59890	11	11
	17	26
121850-21130	9	13
121850-21290	9	5
		6
	10	4
		5
121850-21680	9	10
121850-21920	9	7
121850-49540	13	24
	20	19
121850-49550	13	25
	20	17
121850-49800	13	27
121850-77021	5	6
	20	18
122780-59100	16	26
123900-13630	6	3
123900-25060	7	10
123901-03240	4	68
123901-03280	4	79
123901-18080	6	5
	20	11
123901-39820	12	24
123907-11280	4	33
123907-11550	4	3
123907-11601	16	25
123907-11820	4	12

Parts No.	Fig. No.	Ref. No.
123907-11830	4	24
123907-39500	12	16
123907-55800	17	2
123907-59540	17	13
123907-59550	17	14
	20	31
123907-59560	17	18
123910-49600	11	8
123910-49610	11	10
123912-33050	11	20
123912-33100	11	21
123951-18220	5	11
124070-13300	12	25
124160-01751	2	25
	4	50
124160-11340	4	19
	20	5
124160-11360	4	62
124223-39900	12	3
124411-01780	3	14
124465-44950	13	21
	20	21
124722-59050	13	37
		40
	17	16
124766-59050	17	5
		9
124950-11340	4	20
	20	12
128300-77920	19	36
128610-14120	10	3
129001-91810	2	14
	15	15
129001-91841	3	9
129004-55611	17	1
129005-59830	12	10
		18
129006-44480	11	4
129100-01580	1	33
		34
	2	5
129100-55690	17	23
129150-02450	7	4
129150-03100	4	80
129150-11230	4	36
		40
129150-11750	4	23
		37
		41
129150-14200	7	1

Parts No.	Fig. No.	Ref. No.
129150-25920	7	14
129150-35170	11	16
129150-59131	16	30
		34
129155-51280	15	6
129155-61460	15	28
129198-59540	12	10 -2
129211-77920	19	37
129240-79300	19	14
129242-55700	17	21 -1
129242-55720	17	25 A-1
129242-55730	17	22 -1
129242-55740	17	25 B
129242-55750	17	25 C
129242-55760	17	25 D
129242-55770	17	25 E
129255-61410	15	22
129400-92450	20	34
129410-03990	4	77
129418-18320	6	4
129423-77200	19	2
129423-77710	19	17
129457-59010	17	4
129466-49300	11	7
129472-18090	8	1
	20	32
129486-59510	17	17
129486-59551	17	15
129550-59120	16	31
129693-44310	3	10
129795-01900	19	31
129795-01960	10	1
129900-01200	1	31
129900-01250	1	5
129900-01740	2	6
129900-01780	2	4
129900-02020	1	8
129900-02340	1	35
129900-02410	1	11
129900-02930	1	28
129900-02940	1	38
129900-13251	6	2
	20	10
129900-14100	7	7
129900-14140	2	16
129900-21200	9	4
129900-21600	9	41
129900-21640	9	11
129900-23001	9	22
129900-23200	9	27

Parts No. Index

Parts No.	Fig. No.	Ref. No.
22252-000300	9	21
22312-050140	14	104
22351-030010	12	38
22351-050010	14	105
22351-060012	1	12
22512-070140	7	8
	9	9
22857-500100	4	59
23000-022000	4	76
23000-025000	11	12
	12	29
23000-054000	5	12
23414-080000	13	33
	20	20
23414-100000	12	9
	20	33
23857-030000	12	12
		20
23857-060000	14	108
23875-030000	13	29
23876-005000	10	15
23876-020000	4	13
23876-030000	1	13
		14
	4	14
23887-120002	14	109
23887-160002	15	63
24311-000070	2	33
	14	110
	20	22
24311-000120	4	47
		63
	20	23
24311-000160	17	25
24311-000200	10	17
	20	2
24311-000320	2	30
	4	64
	20	24
24321-000600	11	13
	20	30
24321-000650	17	24
24321-000750	17	24 -1
24321-000850	2	27
	20	28
24341-000280	15	76
24351-030750	2	17
	20	27
24356-010200	14	76
		111

Parts No.	Fig. No.	Ref. No.
24356-020210	14	112
24372-000150	14	77
25132-004100	13	41
26014-080252	19	33
26106-060102	14	113
	15	64
		65
26106-060122	13	30
26106-060142	15	77
26106-060162	12	30
	16	41
26106-060202	13	31
26106-060252	15	78
26106-060302	13	12
26106-060352	14	114
26106-060402	15	79
26106-080122	3	11
	4	81
	12	13
		22
	13	18
26106-080142	4	83
	11	1
26106-080162	2	18
		19
	4	2
	7	9
	10	16
	14	129
26106-080182	16	42
26106-080202	2	20
	11	2
26106-080222	14	130
		131
26106-080302	3	15
	17	3
26106-080402	2	21
		22
	4	44
26106-080452	2	23
26106-080552	5	3
	7	15
	13	13
		17
26106-080602	4	45
		46
	10	18
	13	19
26106-080702	5	9
26106-080852	5	4

Parts No.	Fig. No.	Ref. No.
26106-081202	5	10
26106-100202	2	28
	14	132
26116-050102	4	71
26116-060102	15	51
26116-100202	3	2
26116-120302	18	22
26216-100302	2	10
26226-080222	4	43
26306-080002	4	49
	8	2
26306-100002	2	24
	19	32
26450-100452	14	118
26756-060002	15	66
26776-180002	7	20
	14	119
27241-300000	1	15
27241-400000	4	15
27310-070001	4	25
729900-02800	1	25
729907-01540	2	1
729907-22950	9	34
729907-92890	20	1
729908-22900	9	32
729908-53100	16	1
729972-01560	1	1
729972-51390	14	1
977770-1207F	2	29
	3	16
	4	82
	20	35
X9490561001	19	3

Parts No.	Fig. No.	Ref. No.
-----------	----------	----------