

0CD11-M07500EN

P R E F A C E

1. This parts catalog is the 1st edition of 4TNV98T-NHK for HOKUETSU INDUSTRIES CO.,LTD.

Pub.No. : 0CD11-G07500

Published : June, 2009

2. Model name

Engine model	Vehicle	Vehicle made by
4TNV98T-NHK	ENGINE COMPRESSOR	HOKUETSU INDUSTRIES CO.,LTD

Directions for the Parts Catalog.

1. This Parts Catalog shows both standard and optional parts.
2. Parts may change without prior notice.
3. The following is an example of the Parts Catalog format.

REF.	LEV.	PARTS NO.	DESCRIPTION	Q'TY						I	R
				(A)	(B)	(C)	(D)	(E)	(F)		
1	1	729595-51390	FUEL INJECTION PUMP	1	1	1	1	1			1
1-1	1	729595-51391	FUEL INJECTION PUMP	1	1	1	1	1		N	1
		(A=E00185) (B=E00200)									
3	2	26022-060162	SCREW M 6X 16	9	9	9	9	9			
3-1	2	26022-060162	SCREW M 6X 16	4	4	4	4	4		K	
		(A=E00156) (B=E00156) (C=E00156) (D=E00156) (E=E00156)									
4	2	129470-51040	CAMSHAFT	1	1	1	1	1			
5	2	122710-51050	BEARING, ROLLER	2	2	2	2	2			
6	2	129470-51060	RETAINER	1	1	1	1	1			

Remarks
(1) BOOST COMPEMSATOR TYPE. OPTIONAL PART, TO E00155,(4JH-DT, 4JH-DTZ

① Ref. No.

The Ref. No. listed may not be in accordance with the illustration Ref. No.

(Ex.) Illustration No.

List Ref No.

1 1 (Before change) → 1-1 (After change)

For interchangeable symbols N, R and K, illustrations for new parts may be abbreviated.

② Lev. (Level)

Level indication

The numbers below indicate the level of relativity towards the main part.

1 ---- Main parts (Assembly parts)

2 ---- Sub component included in " 1 ".

3 ---- Sub component included in " 2 ".

Note) Parts that are not for sale are partially illustrated but not listed.

③ Interchangeability Symbol

When a part change takes place, one of the following interchangeability symbols is indicated beside the part.

Symbol	Interchangeability	Contents note
N	Old $\begin{matrix} \leftarrow \text{Yes} \\ \text{No} \rightarrow \end{matrix}$ New	New Part is interchangeable for Old Part but Old Part is not interchangeable for New Part.
Q	Old $\begin{matrix} \leftarrow \text{No} \\ \text{Yes} \rightarrow \end{matrix}$ New	New Part is not interchangeable for Old Part but Old Part is interchangeable for New Part.
R	Old $\begin{matrix} \leftarrow \text{Yes} \\ \text{Yes} \rightarrow \end{matrix}$ New	New/ Old Parts are both interchangeable.
S	Old $\begin{matrix} \leftarrow \text{No} \\ \text{No} \rightarrow \end{matrix}$ New	New/ Old Parts are both not interchangeable.
W		Part newly added.
Z		Part discontinued.
F		Not interchangeable by a single part but interchangeable together with related parts.
K		Changes only for used parts quantities.

④ Effective Machine No.

When a part changes, the effective Machine No. will be indicated in the (A)-(F) column.

Product Symbol	Product No.	Product Symbol	Product No.
C	Clutch No. Compressor No.	F	Machine No. (Agricultural Equip.)
D	Drive No.	M	Machine No.
E	Engine No.		

Note 1) A date may follow the symbol. (Ex.) 1996.01

Note 2) "XXXXX" and "ZZZZZ" are for parts that could not be predicted or for engine models that could not be identified.

Note 3) (A=E00185) is the E (Engine Serial Number) for the column (A) model (in this case 4JH-DT) after the parts design change.

⑤ Remarks

Figures or alphabets (symbols) are entered in the remarks column.

The comments (remarks) on parts that are indicated at the bottom of the illustration are the same symbols as those stated above.

Contents

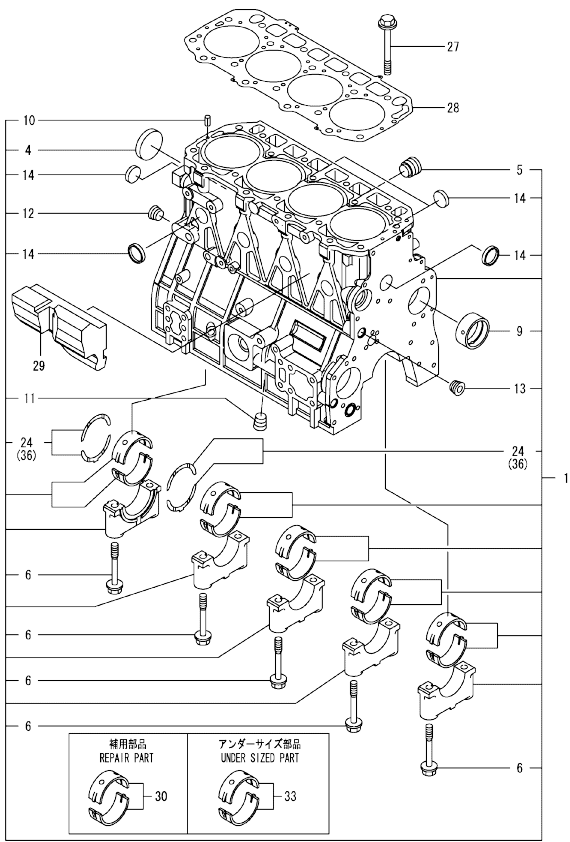
OCD11-M07500

Fig. No.	Fig. Name	Fig. No.	Fig. Name
4	TNV98T-NHK		
1.	CYLINDER BLOCK		
2.	GEAR HOUSING		
3.	FLYWHEEL HOUSING & OIL SUMP		
4.	CYLINDER HEAD & BONNET		
5.	SUCTION MANIFOLD		
6.	EXHAUST MANIFOLD		
7.	CAMSHAFT & DRIVING GEAR		
8.	TURBINE		
9.	CRANKSHAFT & PISTON		
10.	LUB.OIL SYSTEM		
11.	LUB.OIL LINE		
12.	COOLING WATER SYSTEM		
13.	FUEL INJECTION PUMP		
14.	GOVERNOR		
15.	FUEL INJECTION VALVE		
16.	FUEL LINE		
17.	STARTING MOTOR		
18.	GENERATOR		
19.	GASKET SET		

Fig.1. CYLINDER BLOCK

(A)=4TNV98T-NHK
(B)=
(C)=

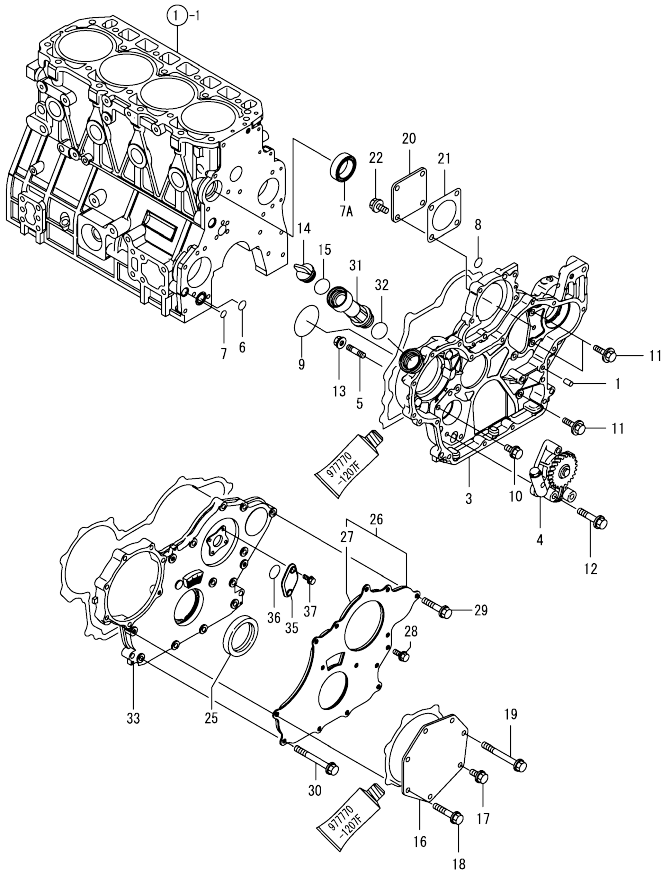
(D)=
(E)=
(F)=



No.	Lev.	Parts No.	Description	Q'ty						I	R
				(A)	(B)	(C)	(D)	(E)	(F)		
1	1	729908-01560	BLOCK ASSY, CYLINDER	1							
4	2	129900-01250	PLUG, DISH TYPE 55	1							
5	2	171051-01921	PLUG, NPTF1	1							
6	2	129900-02020	BOLT, METAL CAP	10							
9	2	129900-02410	BUSH, CAMSHAFT	1							
10	2	22351-060012	PIN, SPRING 6.0X12	2							
11	2	23876-030000	PLUG, R03	1							
12	2	23876-030000	PLUG, R03	1							
13	2	23876-030000	PLUG, R03	1							
14	2	27241-300000	PLUG 30	8							
24	2	129900-02931	BEARING ASSY, THRUST	2							
27	1	129900-01200	BOLT, CYLINDER HEAD	18							
28	1	129907-01331	GASKET, HEAD	1							
29	1	129907-01190	SPACER	1							
30	1	729900-02801	BEARING, MAIN	5							1
33	1	129900-02341	BEARING ASSY, MAIN	5							2
36	1	129900-02941	BEARING, THRUST 0.25	2							3

Remarks
(1) REPAIR PART.
(2) UNDER-SIZED(U.S=0.25)PART.
(3) OVER-SIZED(O.S=0.25)PART.

Fig.2. GEAR HOUSING

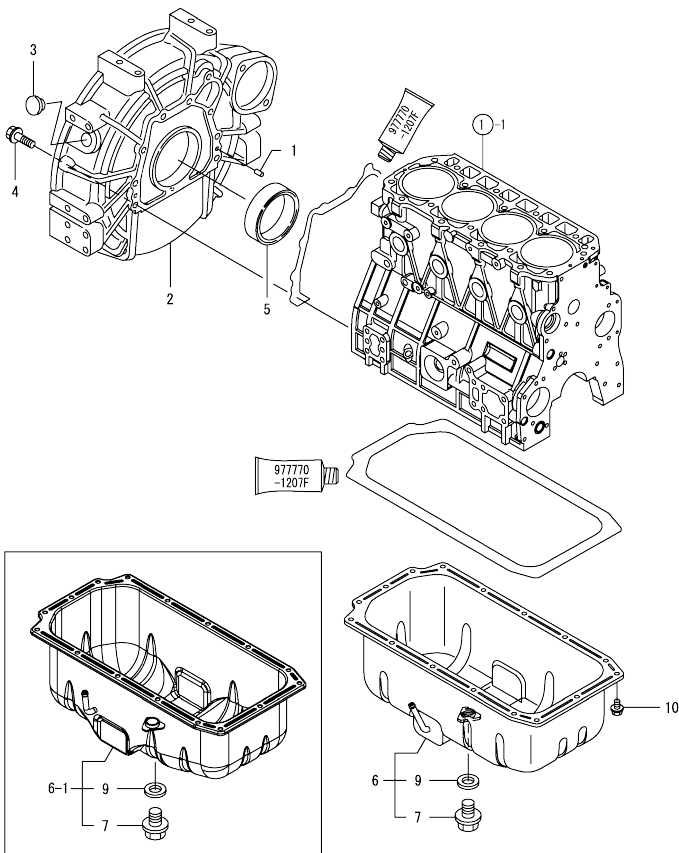


(A)=4TNV98T-NHK
(B)=
(C)=

(D)=
(E)=
(F)=

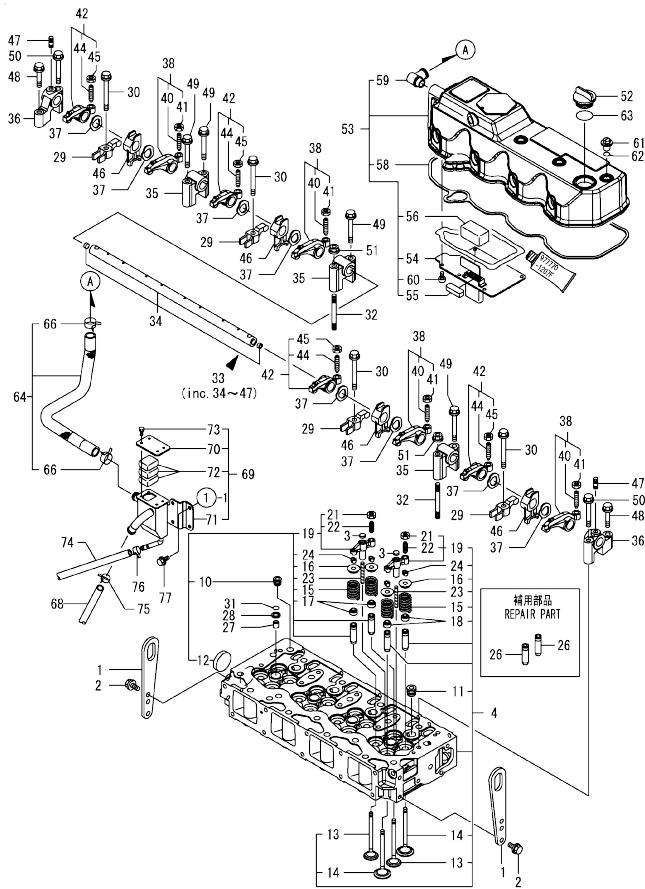
No.	Lev.	Parts No.	Description	Qty						I	R
				(A)	(B)	(C)	(D)	(E)	(F)		
1	1	129100-01580	PIN, PARALLEL 8X16	4							
3	1	129948-01500	CASE ASSY, GEAR	1							
4	1	129908-32060	PUMP ASSY, OIL	1							
5	1	26216-100302	STUD, M10X 30	4							
6	1	129900-32030	O-RING, P20	1							
7	1	129900-32040	O-RING, P14	1							
7A	1	129927-42140	GASKET, PUMP OUTLET	1							W
(A=ET3670)											
8	1	24311-000070	O-RING, 1AP7.0	1							
9	1	24351-030750	O-RING, 1A3075	1							
10	1	26106-080162	BOLT, M8X 16 PLATED	1							
11	1	26106-080202	BOLT, M8X 20 PLATED	3							
12	1	26106-080452	BOLT, M8X 45 PLATED	3							
13	1	26306-100002	NUT, M10	4							
14	1	124160-01751	CAP, FILLER	1							
15	1	24311-000320	O-RING, 1AP32.0	1							
16	1	129951-01740	COVER	1							
17	1	26106-080202	BOLT, M8X 20 PLATED	1							
18	1	26106-080452	BOLT, M8X 45 PLATED	5							
19	1	26106-080752	BOLT, M8X 75 PLATED	1							
20	1	124240-01871	COVER, PUMP	1							
21	1	124240-01883	GASKET	1							
22	1	26106-080162	BOLT, M8X 16 PLATED	4							
25	1	129916-01800	SEAL, OIL	1							
26	1	129900-01850	COVER ASSY, GEAR CASE	1							
27	2	129900-01870	SPONGE, GEAR CASE	1							
28	1	26106-080162	BOLT, M8X 16 PLATED	3							
29	1	26106-080402	BOLT, M8X 40 PLATED	5							
30	1	26106-080702	BOLT, M8X 70 PLATED	6							
31	1	171031-11741	PIPE	1							
32	1	24311-000320	O-RING, 1AP32.0	1							
33	1	129907-01579	COVER, GEAR CASE	1							
35	1	121023-01551	COVER	1							
36	1	24341-000240	O-RING, 1AS24.0	1							
37	1	26106-060162	BOLT, M6X 16 PLATED	2							

Fig.3. FLYWHEEL HOUSING & OIL SUMP



No.	Lev.	Parts No.	Description	Q'ty						I	R
				(A)	(B)	(C)	(D)	(E)	(F)		
1	1	129100-01580	PIN, PARALLEL 8X16	2							
2	1	129915-01610	HOUSING, FLYWHEEL	1							
3	1	119000-01840	PLUG, RUBBER	1							
4	1	26206-100352	BOLT, M10X 35 PLATED	9							
5	1	129916-01790	SEAL, D115/95XT11	1							
6	1	129948-01740	OIL PAN ASSY	1							
6-1	1	129933-01720	OIL PAN ASSY	1							N
		(A=EM8750)									
7	2	119640-01640	PLUG, DRAIN M22	1							
9	2	22190-220002	WASHER, SEAL 22	1							
10	1	26106-080122	BOLT, M8X 12 PLATED	16							

Fig.4. CYLINDER HEAD & BONNET



(A)=4TNV98T-NHK
(B)=
(C)=

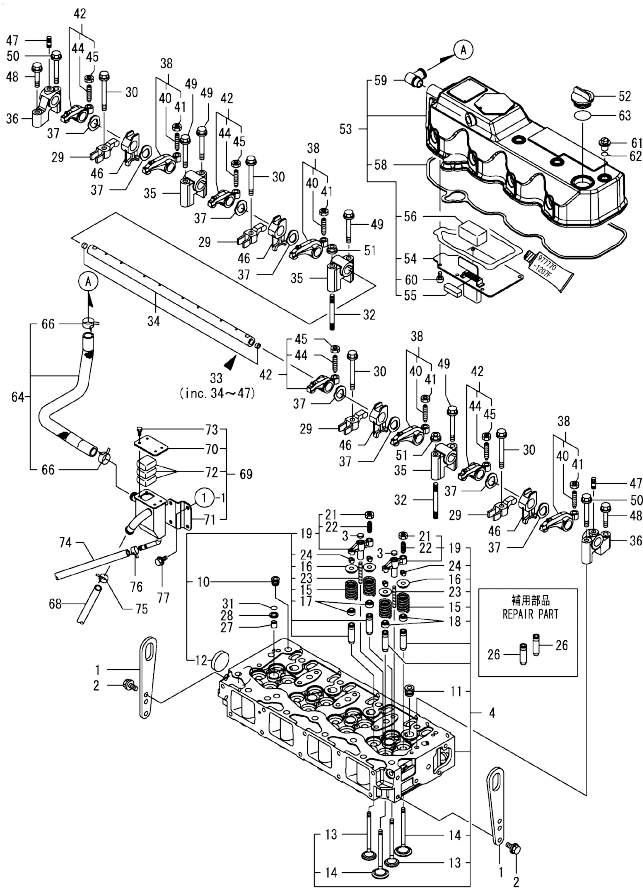
(D)=
(E)=
(F)=

No.	Lev.	Parts No.	Description	Q'ty						I	R
				(A)	(B)	(C)	(D)	(E)	(F)		
1	1	129907-07900	LIFTER, ENGINE	2							
2	1	26106-080162	BOLT, M8X 16 PLATED	4							
3	1	123907-11550	SEAT, VALVE BRIDGE	8							
4	1	129908-11700	HEAD ASSY, CYLINDER	1							
10	2	23876-020000	PLUG, R02	1							
11	2	23876-030000	PLUG, R03	4							
12	2	27241-400000	PLUG, 40	1							
13	2	129907-11100	VALVE, SUCTION	8							
14	2	129907-11110	VALVE, EXHAUST	8							
15	2	129907-11120	SPRING, VALVE	16							
16	2	119620-11180	RETAINER, SPRING	16							
17	2	119803-11340	SEAL, VALVE STEM	8							
18	2	124160-11340	SEAL, VALVE STEM	8							
19	2	129907-11510	BRIDGE ASSY, VALVE	8							
21	3	129150-11750	NUT, M8	8							
22	3	123907-11830	ADJUSTER	8							
23	2	123907-11820	GUIDE, BRIDGE	8							
24	2	27310-070001	COTTER, 7	16							
26	1	129907-11800	GUIDE, VALVE	16							1
27	1	119802-11870	PROTECTOR, NOZZLE	4							
28	1	119625-11880	SEAT, NOZZLE	4							
29	1	129907-11910	RETAINER, NOZZLE	4							
30	1	129907-11950	BOLT, M8X75	4							
31	1	24311-000120	O-RING, 1AP12.0	4							
32	1	119593-11301	BOLT, STUD M8X80	2							
33	1	129907-11341	SHAFT ASSY, ROCKER	1							
34	2	129907-11250	SHAFT, ROCKER ARM	1							
35	2	129907-11260	SUPPORT, ROCKER ARM	3							
36	2	129907-11270	SUPPORT, ROCKER ARM	2							
37	2	123907-11280	WASHER	8							
38	2	129907-11650	ARM ASSY, ROCKER	4							
40	3	129150-11230	SCREW, VALVE ADJUST	4							
41	3	129150-11750	NUT, M8	4							
42	2	129907-11660	ARM ASSY, ROCKER	4							
44	3	129150-11230	SCREW, VALVE ADJUST	4							
45	3	129150-11750	NUT, M8	4							
46	2	129907-11920	RETAINER, NOZZLE	4							
47	2	26226-080222	STUD, M8X 22	2							
48	1	26106-080402	BOLT, M8X 40 PLATED	2							
49	1	26106-080602	BOLT, M8X 60 PLATED	4							
50	1	26106-080602	BOLT, M8X 60 PLATED	2							
51	1	26306-080002	NUT, M8	2							
52	1	124160-01751	CAP, FILLER	1							
53	1	129933-11300	BONNET ASSY, HEAD	1							
54	2	129907-03011	PLATE, BAFFLE	1							
55	2	129907-03061	BAFFLE, BREATHER	1							
56	2	129907-03070	BAFFLE, BREATHER	1							
58	2	129933-11310	GASKET, BONNET	1							
59	2	119100-11330	ELBOW, BREATHER	1							
60	2	22857-500100	SCREW, 5X10	6							
61	1	124160-11360	KNOB	4							

Remarks
(1) REPAIR PART.

N:Old $\frac{New}{Old}$ New, Q:Old $\frac{New}{Old}$ New, R:Old $\frac{New}{Old}$ New, S:Old $\frac{New}{Old}$ New, W:Add, Z:Discontinued, F:Interchangeable by set, K:Q'ty Change
++ CONTINUE ++
Copyright (C) YANMAR GLOBAL CS CO., LTD. All Rights Reserved.

Fig.4. CYLINDER HEAD & BONNET



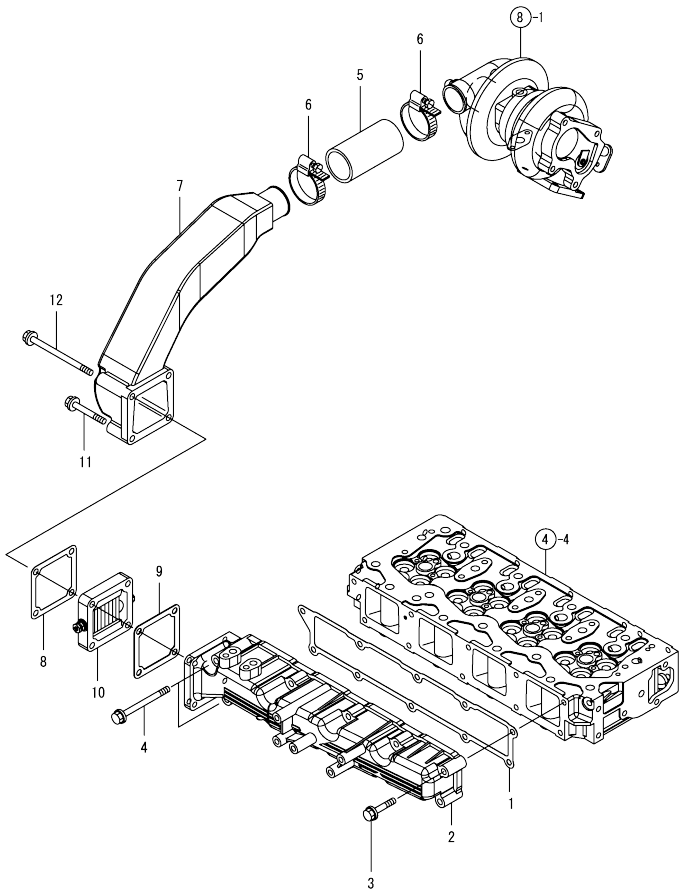
(A)=4TNV98T-NHK
(B)=
(C)=

(D)=
(E)=
(F)=

No.	Lev.	Parts No.	Description	(A)	(B)	(C)	(D)	(E)	(F)	I	R
62	1	24311-000120	O-RING, 1AP12.0	4							
63	1	24311-000320	O-RING, 1AP32.0	1							
64	1	129933-03010	HOSE ASSY, BREATHER	1							
66	2	129410-03990	CLAMP, HOSE 21.5	2							
68	1	129150-03090	HOSE, ID16X2T	1							
69	1	129933-03240	SEPARATOR ASSY, MIST	1							
70	2	129972-03220	COVER, SEPARATOR	1							
71	2	129933-03230	SEPARATOR, MIST	1							
72	2	123901-03240	FILTER	3							
73	2	26116-050102	BOLT, M5X 10 PLATED	4							
74	1	123912-03250	HOSE	1							
74-1	1	129948-03310	HOSE, BREATHER	1							N
(A)=EXXXXXX											
75	1	129960-03990	CLAMP, HOSE 19.8	1							
76	1	23000-022000	CLAMP, 22	2							
77	1	26106-080142	BOLT, M8X 14 PLATED	2							

Remarks
(1) REPAIR PART.

Fig.5. SUCTION MANIFOLD



(A)=4TNV98T-NHK
(B)=
(C)=

(D)=
(E)=
(F)=

No.	Lev.	Parts No.	Description	Q'ty						I	R
				(A)	(B)	(C)	(D)	(E)	(F)		
1	1	129907-12110	GASKET, MANIFOLD	1							
2	1	129944-12110	MANIFOLD, AIR INTAKE	1							
3	1	26106-080452	BOLT, M8X 45 PLATED	8							
4	1	26106-080802	BOLT, M8X 80 PLATED	2							
5	1	123951-18220	JOINT, RUBBER	1							
6	1	23000-054000	CLAMP, 54	2							
7	1	129935-18350	DUCT, AIR	1							
8	1	119129-77020	GASKET	1							
9	1	121850-77021	GASKET, AIR HEATER	1							
10	1	119005-77051	HEATER, AIR	1							
11	1	26106-080702	BOLT, M8X 70 PLATED	2							
12	1	26106-080902	BOLT, M8X 90 PLATED	2							

Fig.6. EXHAUST MANIFOLD

(A)=4TNV98T-NHK
(B)=
(C)=

(D)=
(E)=
(F)=

No.	Lev.	Parts No.	Description	Q'ty					
				(A)	(B)	(C)	(D)	(E)	(F)
1	1	129935-13100	MANIFOLD, EXHAUST	1					
2	1	129900-13251	GASKET, EXH.MANIFOLD	1					
3	1	123900-13630	BOLT, M8X80	8					
4	1	129418-18320	BOLT, STUD M8X20	4					

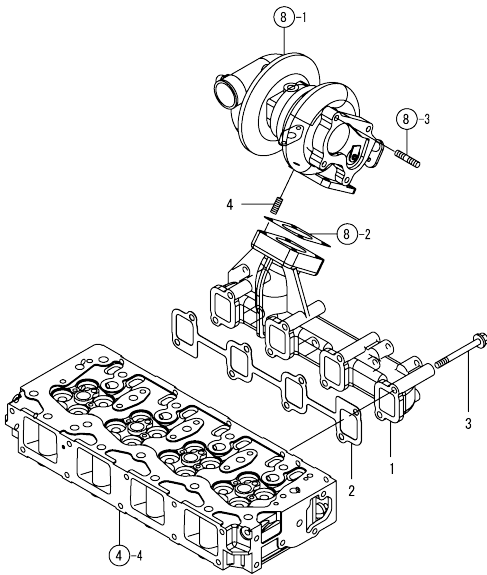
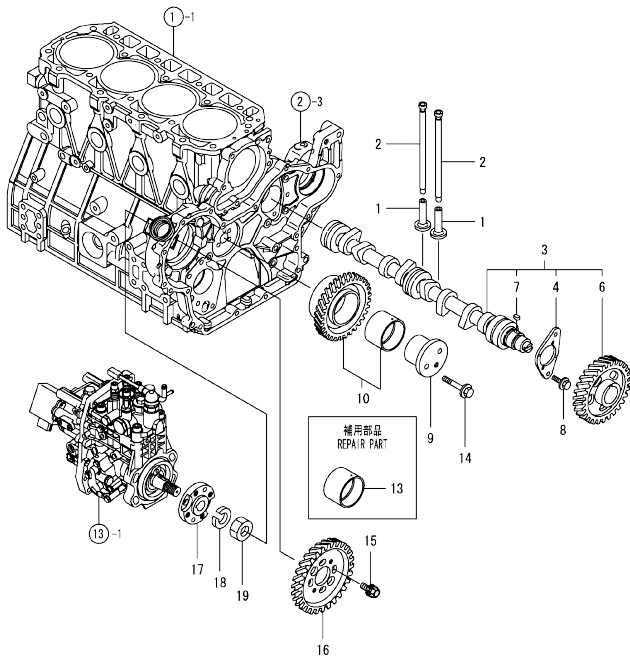


Fig.7. CAMSHAFT & DRIVING GEAR



(A)=4TNV98T-NHK
(B)=
(C)=

(D)=
(E)=
(F)=

No.	Lev.	Parts No.	Description	Q'ty						I	R
				(A)	(B)	(C)	(D)	(E)	(F)		
1	1	129150-14200	TAPPET	8							
2	1	129907-14400	PUSH-ROD	8							
3	1	129908-14581	CAMSHAFT ASSY	1							
4	2	129150-02450	BEARING, THRUST	1							
6	2	129900-14100	GEAR, CAMSHAFT	1							
7	2	22512-070140	KEY, 7X 14	1							
8	1	26106-080162	BOLT, M8X 16 PLATED	2							
9	1	123900-25060	SHAFT, IDLE GEAR	1							
10	1	129900-25100	GEAR ASSY, IDLE	1							
13	1	129150-25920	BUSH, IDLE GEAR	1							1
14	1	26106-080552	BOLT, M8X 55 PLATED	3							
15	1	129953-25300	BOLT	4							
16	1	129907-25900	GEAR, PUMP	1							
17	1	158563-51150	FLANGE	1							
18	1	22217-180000	WASHER, SPRING 18	1							
19	1	26776-180002	NUT, LOCK M18	1							

Remarks
(1) REPAIR PART.

Fig.8. TURBINE

(A)=4TNV98T-NHK
(B)=
(C)=

(D)=
(E)=
(F)=

No.	Lev.	Parts No.	Description	Q'ty					
				(A)	(B)	(C)	(D)	(E)	(F)
1	1	129935-18010	TURBOCHARGER, RHF5	1					
2	1	129472-18090	GASKET	1					
3	1	119131-18320	BOLT, STUD M8X22	4					
4	1	26306-080002	NUT, M8	4					

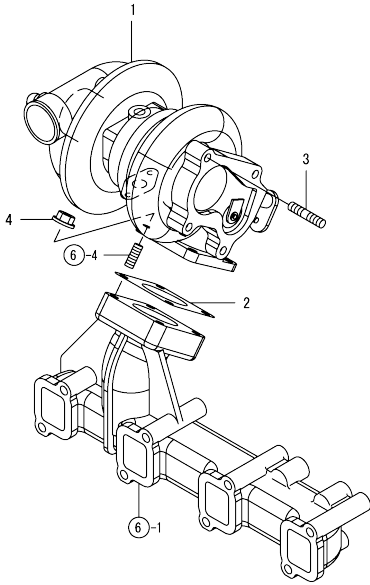
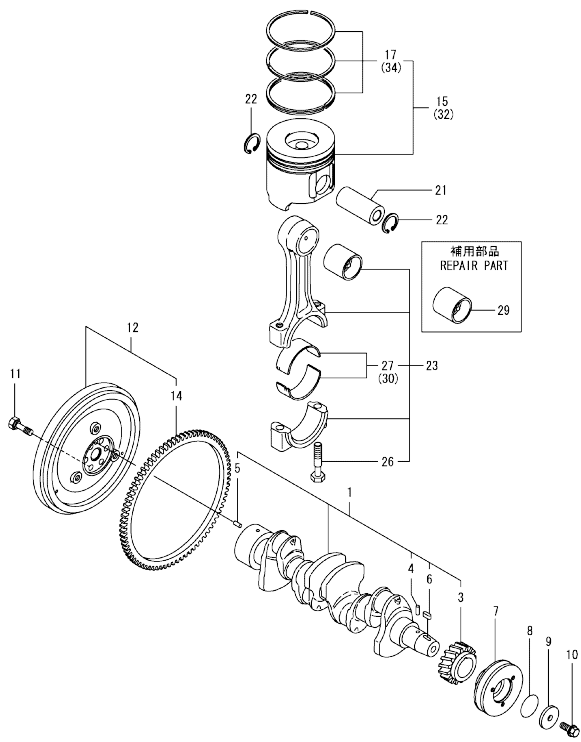


Fig.9. CRANKSHAFT & PISTON



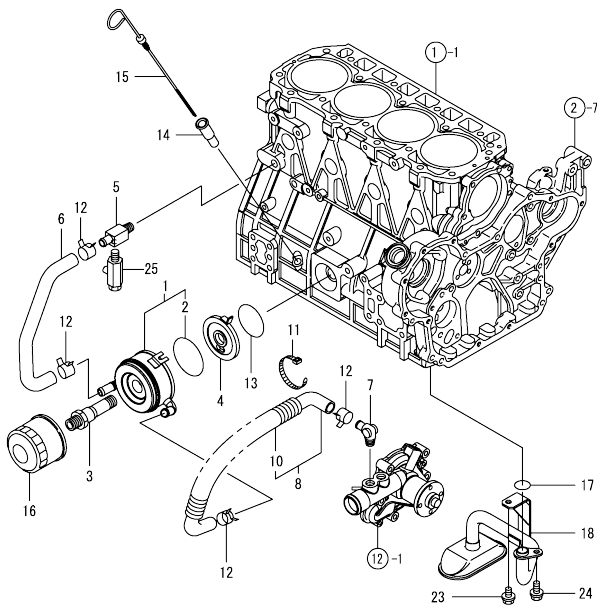
(A)=4TNV98T-NHK
(B)=
(C)=

(D)=
(E)=
(F)=

No.	Lev.	Parts No.	Description	Q'ty						I	R
				(A)	(B)	(C)	(D)	(E)	(F)		
1	1	129908-21000	CRANKSHAFT ASSY	1							
3	2	129900-21200	GEAR, CRANKSHAFT	1							
4	2	121850-21290	PIN	1							
5	2	121850-21920	PIN, PARALLEL 10X22	1							
6	2	22512-070140	KEY, 7X 14	1							
7	1	129944-21650	V-PULLEY, CRANK 130B	1							
8	1	24341-000530	O-RING, 1AS53.0	1							
9	1	129960-21640	WASHER	1							
10	1	129916-21610	BOLT	1							
11	1	121850-21130	BOLT, FLYWHEEL	6							
12	1	129920-21580	FLYWHEEL ASSY	1							
14	2	127410-21480	GEAR, RING Z=129	1							
15	1	129908-22080	PISTON ASSY	4							
17	2	129907-22050	RING SET, PISTON	4							
21	1	120130-22301	PIN, PISTON	4							
22	1	22252-000300	RING, 30	8							
23	1	129900-23001	ROD ASSY, CONNECTING	4							
26	2	129900-23200	BOLT, CONNECTING ROD	8							
27	2	129900-23601	BEARING, CRANK PIN	4							
29	1	129900-23911	BEARING, PISTON PIN	4							1
30	1	129900-23611	BEARING ASSY, 0.25US	4							2
32	1	729908-22900	PISTON ASSY, 0.25 OS	4							3
34	2	729907-22950	RING SET, 0.25 OS	4							3

Remarks
 (1) REPAIR PART.
 (2) UNDER-SIZED(U.S=0.25)PART.
 (3) OVER-SIZED(O.S=0.25)PART.

Fig.10. LUB.OIL SYSTEM

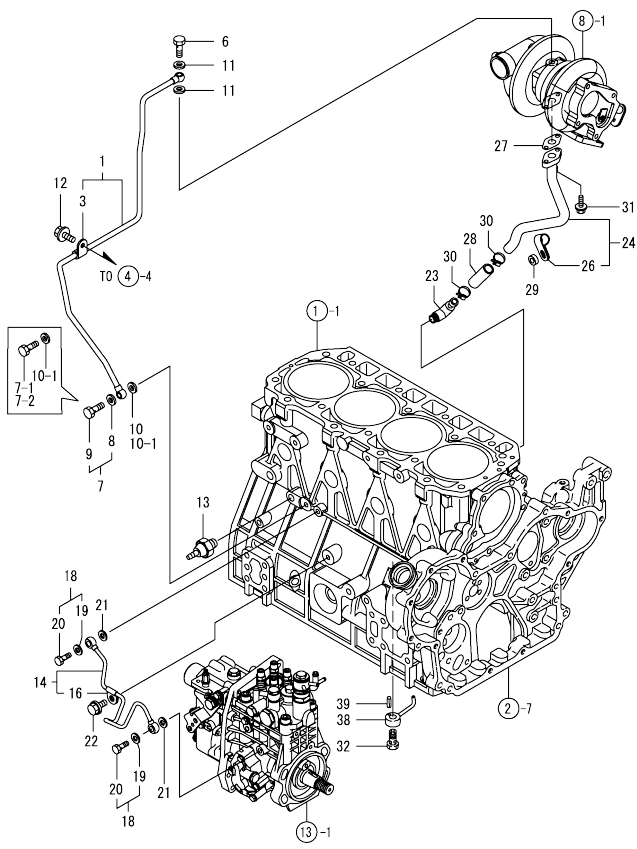


No.	Lev.	Parts No.	Description	Q'ty						I	R
				(A)	(B)	(C)	(D)	(E)	(F)		
1	1	129908-33010	COOLER ASSY, OIL	1							
2	2	123912-33050	O-RING	1							
3	1	123912-33100	BOLT, COOLER	1							
4	1	129908-33101	BRACKET, OIL COOLER	1							
5	1	129006-44480	JOINT	1							
6	1	129908-49060	HOSE, WATER	1							
7	1	129466-49300	ELBOW, PT3/8	1							
8	1	123910-49600	HOSE ASSY WATER	1							
10	2	123910-49610	TUBE, CORRUGATED	1							
11	1	121750-59890	BAND, NYLON	1							
12	1	23000-025000	CLAMP, 25	4							
13	1	24321-000600	O-RING, 1AG60.0	1							
14	1	121520-34810	GUIDE, DIPSTICK	1							
15	1	129953-34830	DIPSTICK	1							
16	1	119005-35160	FILTER, OIL 80X100L	1							
17	1	129900-32030	O-RING, P20	1							
18	1	129953-35000	PIPE ASSY, OIL INLET	1							
23	1	26106-080122	BOLT, M8X 12 PLATED	1							
24	1	26106-080162	BOLT, M8X 16 PLATED	1							
25	1	119620-49290	COCK ASSY, 1/4	1							

N:Old $\frac{New}{Old}$ New, Q:Old $\frac{New}{Old}$ New, R:Old $\frac{New}{Old}$ New, S:Old $\frac{New}{Old}$ New, W:Add, Z:Discontinued, F:Interchangeable by set, K:Q'ty Change
 Copyright (C) YANMAR GLOBAL CS CO., LTD. All Rights Reserved.

OCD11-M07500 4TNV98T-NHK
 Fig.11. LUB.OIL LINE

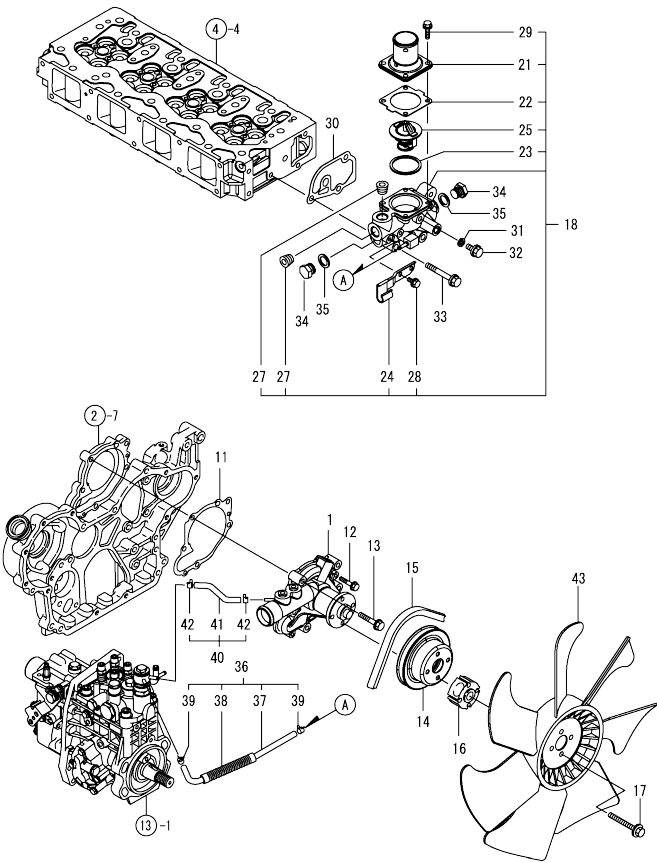
OCD11-M07500 Fig.11



No.	Lev.	Parts No.	Description	Q'ty						I	R
				(A)	(B)	(C)	(D)	(E)	(F)		
1	1	129928-39450	PIPE ASSY, OIL	1							
3	2	124223-39900	RETAINER	1							
6	1	121252-39150	BOLT, JOINT M10X1.5	1							
7	1	129005-59830	BOLT ASSY, JOINT M8	1							S
7-1	1	105010-39140	BOLT, PIPE JOINT M8	1							
(A=EC0582)											
7-2	1	129198-59540	BOLT, PIPE JOINT M8	1							S
(A=E161776)											
8	2	22190-080002	WASHER, SEAL 6	1							Z
(A=EC0582)											
9	2	23857-030000	BOLT, JOINT 3	1							Z
(A=EC0582)											
10	1	22190-080002	WASHER, SEAL 6	1							
10-1	1	22190-080002	WASHER, SEAL 8	2							K
(A=EC0582)											
11	1	23414-100000	GASKET, 10X1.0	2							
12	1	26106-080122	BOLT, M8X 12 PLATED	1							
13	1	114250-39450	SWITCH, HYDRAULIC	1							
14	1	129907-39061	PIPE ASSY, OIL	1							
16	2	123907-39500	RETAINER, PIPE	1							
18	1	129005-59830	BOLT ASSY, JOINT M8	2							
19	2	22190-080002	WASHER, SEAL 6	2							
20	2	23857-030000	BOLT, JOINT 3	2							
21	1	22190-080002	WASHER, SEAL 6	2							
22	1	26106-080122	BOLT, M8X 12 PLATED	1							
23	1	124070-13300	ELBOW, PT3/8	1							
24	1	129935-39610	PIPE, OIL	1							
26	2	123910-39850	RETAINER	1							
27	1	129908-39690	GASKET	1							
28	1	123901-39820	HOSE, LO RETURN	1							
29	1	106500-44810	SPACER, PULLEY	1							
30	1	23000-025000	CLAMP, 25	2							
31	1	26106-060162	BOLT, M6X 16 PLATED	2							
32	1	129908-39410	VALVE ASSY, CHECK	4							
38	1	119000-39650	NOZZLE, COOLING	4							
39	1	22351-030010	PIN, SPRING 3.0X10	4							

N:Old $\frac{100}{100}$ New, Q:Old $\frac{100}{100}$ New, R:Old $\frac{100}{100}$ New, S:Old $\frac{100}{100}$ New, W:Add, Z:Discontinued, F:Interchangeable by set, K:Qty Change
 Copyright (C) YANMAR GLOBAL CS CO., LTD. All Rights Reserved.

Fig.12. COOLING WATER SYSTEM

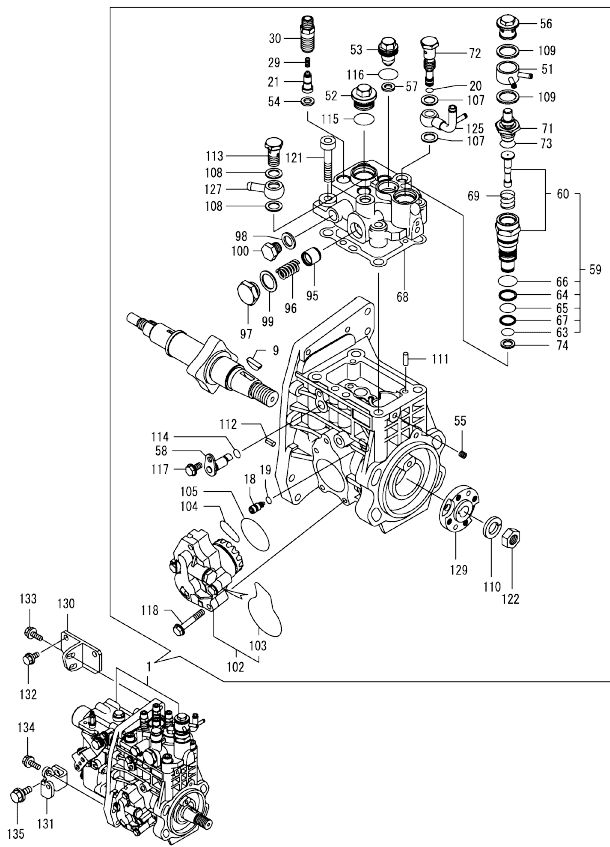


(A)=4TNV98T-NHK
(B)=
(C)=

(D)=
(E)=
(F)=

No.	Lev.	Parts No.	Description	Qty						I	R	
				(A)	(B)	(C)	(D)	(E)	(F)			
1	1	129908-42100	PUMP ASSY, WATER	1								
1-1	1	129908-42101 (A=E180109)	PUMP ASSY, CW	1								N
11	1	129900-42020	GASKET, WATER PUMP	1								
12	1	26106-060302	BOLT, M6X 30 PLATED	2								
13	1	26106-080552	BOLT, M8X 55 PLATED	5								
14	1	129900-42450	V-PULLEY, C.W.PUMP	1								
15	1	129948-42240	V-BELT, B43.0	1								
16	1	123957-44770	SPACER, FAN 35	1								
17	1	26106-100552	BOLT, M10X 55 PLATED	4								
18	1	129907-49800	CASE ASSY,THERMOSTAT	1								
21	2	129916-49530	COVER, THERMOSTAT	1								
22	2	121850-49540	GASKET, THERMOSTAT	1								
23	2	121850-49550	GASKET, THERMOSTAT	1								
24	2	129907-49730	RETAINER, PIPE	1								
25	2	121850-49810	THERMOSTAT, 71C	1								
27	2	23875-030000	PLUG, R03	2								
28	2	26106-060122	BOLT, M6X 12 PLATED	1								
29	2	26106-060202	BOLT, M6X 20 PLATED	4								
30	1	129900-49870	GASKET, THERMOSTAT	1								
31	1	23414-080000	GASKET, 8X1.0	1								
32	1	26106-080122	BOLT, M8X 12 PLATED	1								
33	1	26106-080602	BOLT, M8X 60 PLATED	3								
34	1	121450-42450	PLUG, M16	2								
35	1	124465-44950	GASKET, 16	2								
36	1	129907-49610	HOSE ASSY, WATER	1								
37	2	129907-49710	HOSE, WATER	1								
38	2	129907-49750	TUBE, CORRUGATED	1								
39	2	124722-59050	CLAMP, HOSE 9	2								
40	1	129907-49620	HOSE ASSY, WATER	1								
41	2	129907-49720	HOSE, WATER	1								
42	2	124722-59050	CLAMP, HOSE 9	2								
43	1	123915-44741	FAN, COOLING	1								

Fig.13. FUEL INJECTION PUMP

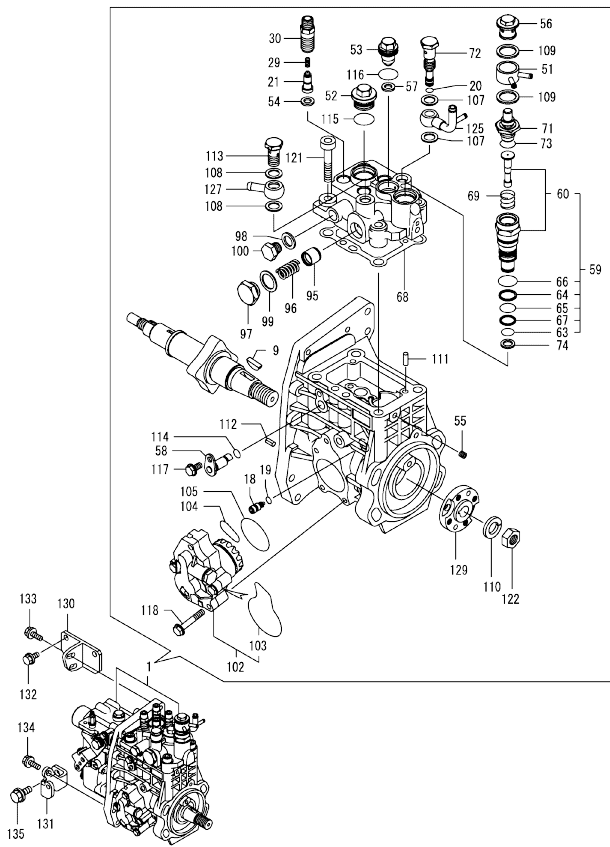


Remarks
 (1) GOVERNOR ASSY(FIG.14) IS
 INCORPORATED IN THIS FUEL
 INJECTION PUMP.(REF.NO.1).

No.	Lev.	Parts No.	Description	Q'ty						I	R
				(A)	(B)	(C)	(D)	(E)	(F)		
1	1	729933-51340	PUMP ASSY, INJECTION	1							1
9	2	144626-51090	FEATHER KEY, 5X19	1							
18	2	158600-51270	STOPPER, TAPPET	1							
19	2	158563-51281	O-RING, 4D S6	1							
20	2	158563-51281	O-RING, 4D S6	1							
21	2	158560-51300	VALVE ASSY, DELIVERY	4							
29	2	158563-51330	SPRING, DELIVERY	4							
30	2	129907-51340	HOLDER, DELIVERY	4							
51	2	158553-51551	JOINT, COOLING WATER	1							
52	2	158601-51550	PLUG, M22	1							
53	2	129907-51560	PLUG, M16	1							
54	2	158552-51570	GASKET, PLUG	4							
55	2	158557-51570	PLUG, RACK	1							
56	2	158601-51570	PLUG	1							
57	2	129906-51580	GASKET, PLUG	1							
58	2	158552-51580	LIFTER, LINK	1							
59	2	119802-51590	TIMER ASSY	1							
60	3	119802-51600	TIMER ASSY	1							
63	3	158553-51670	O-RING	1							
64	3	119802-51680	RING, BACKUP	1							
65	3	119802-51690	O-RING	1							
66	3	24356-010200	O-RING, 4D1020	1							
67	3	24372-000150	RING, BACK UP T2P15	1							
68	2	158560-51600	GASKET	1							
69	2	158553-51630	SPRING, TIMER	1							
71	2	158553-51640	THERMOELEMENT	1							
72	2	158601-51650	JOINT, OVER FLOW	1							
73	2	158553-51660	O-RING, P14	1							
74	2	158553-51680	GASKET, TIMER	1							
95	3	158601-51770	PISTON, ACCUMULATOR	1							
96	3	158552-51781	SPRING, ACCUMULATOR	1							
97	3	158601-51790	PLUG	1							
98	3	22190-120002	WASHER, SEAL 12	1							
99	3	22190-180002	WASHER, SEAL 18	1							
100	3	23887-120002	PLUG, 12	1							
102	2	158552-52100	PUMP ASSY, FUEL FEED	1							
103	3	158552-52500	O-RING	1							
104	2	158552-52310	O-RING	1							
105	2	158552-52400	O-RING, 4E S42	1							
107	2	22190-120002	WASHER, SEAL 12	2							
108	2	22190-120002	WASHER, SEAL 12	2							
109	2	22190-180002	WASHER, SEAL 18	2							
110	2	22217-180000	WASHER, SPRING 18	1							
111	2	22312-050140	PIN, PARALLEL M5X14	2							
112	2	22351-050010	PIN, SPRING 5.0X10	2							
113	2	23857-060000	BOLT, JOINT 6	1							
114	2	24311-000070	O-RING, 1AP7.0	1							
115	2	24356-010200	O-RING, 4D1020	1							
116	2	24356-020210	O-RING, 4D2021	1							
117	2	26106-060102	BOLT, M6X 10 PLATED	1							
118	2	26106-060352	BOLT, M6X 35 PLATED	4							

N:Old $\frac{New}{Old}$ New, Q:Old $\frac{New}{Old}$ New, R:Old $\frac{New}{Old}$ New, S:Old $\frac{New}{Old}$ New, W:Add, Z:Discontinued, F:Interchangeable by set, K:Q'ty Change
 ++ CONTINUE ++
 Copyright (C) YANMAR GLOBAL CS CO., LTD. All Rights Reserved.

Fig.13. FUEL INJECTION PUMP



(A)=4TNV98T-NHK
(B)=
(C)=

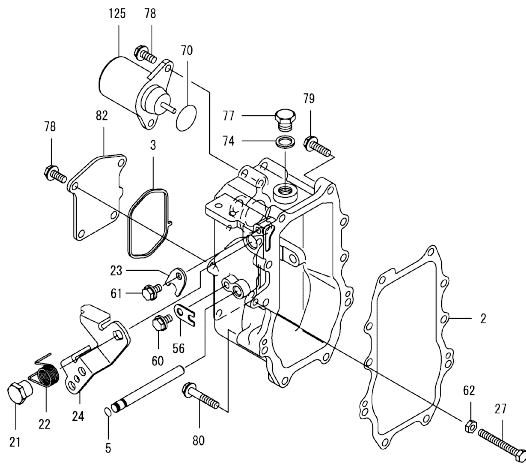
(D)=
(E)=
(F)=

No.	Lev.	Parts No.	Description	Q'ty						I	R		
				(A)	(B)	(C)	(D)	(E)	(F)				
121	2	26450-100452	BOLT, M10X 45										
122	2	26776-180002	NUT, LOCK M18										
125	2	158552-51670	JOINT, OVER FLOW										
127	2	129916-59020	JOINT, PIPE 12										
129	2	158563-51150	FLANGE										
130	1	129907-01950	RETAINER, PUMP										
131	1	129907-01960	RETAINER, PUMP										
132	1	26106-080162	BOLT, M8X 16 PLATED										
133	1	26106-080222	BOLT, M8X 22 PLATED										
134	1	26106-080222	BOLT, M8X 22 PLATED										
135	1	26106-100202	BOLT, M10X 20 PLATED										

Remarks
(1) GOVERNOR ASSY(FIG.14) IS INCORPORATED IN THIS FUEL INJECTION PUMP.(REF.NO.1).

OCD11-M07500 4TNV98T-NHK
 Fig.14. GOVERNOR

OCD11-M07500 Fig.14



(A)=4TNV98T-NHK
 (B)=
 (C)=

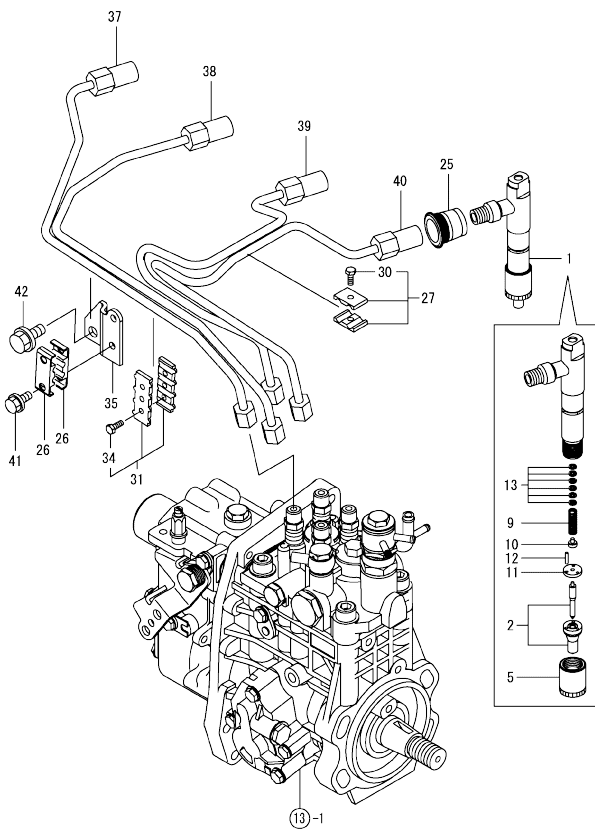
(D)=
 (E)=
 (F)=

No.	Lev.	Parts No.	Description	Q'ty						I	R
				(A)	(B)	(C)	(D)	(E)	(F)		
2	2	158560-61050	GASKET	1							
3	2	158560-61071	GASKET	1							
5	2	129155-51280	O-RING, S6	1							
21	2	129255-61410	NUT, M8	1							
22	2	119807-61420	SPRING, RETURN	1							
23	2	158560-61430	STOPPER, SHAFT	1							
24	2	158560-61442	LEVER, REGULATOR	1							
27	2	129155-61460	BOLT, LIMITING	1							
56	2	119660-61901	STOPPER, SHAFT	1							
60	2	26106-060102	BOLT, M6X 10 PLATED	1							
61	2	26106-060102	BOLT, M6X 10 PLATED	1							
62	2	26756-060002	NUT, LOCK M6	1							
70	2	158552-61900	O-RING	1							
74	2	22190-160002	WASHER, SEAL 16	1							
77	2	23887-160002	PLUG, 16	1							
78	2	26106-060142	BOLT, M6X 14 PLATED	6							
79	2	26106-060252	BOLT, M6X 25 PLATED	8							
80	2	26106-060402	BOLT, M6X 40 PLATED	2							
82	2	158560-61061	COVER, GOVERNOR CASE	1							
125	2	119233-77932	SOLENOID, STOP	1							

Remarks
 * THIS FIGURE(GOVERNOR ASSY)IS
 INCORPORATED IN THE FUEL INJECTION
 PUMP ASSY(FIG.13).

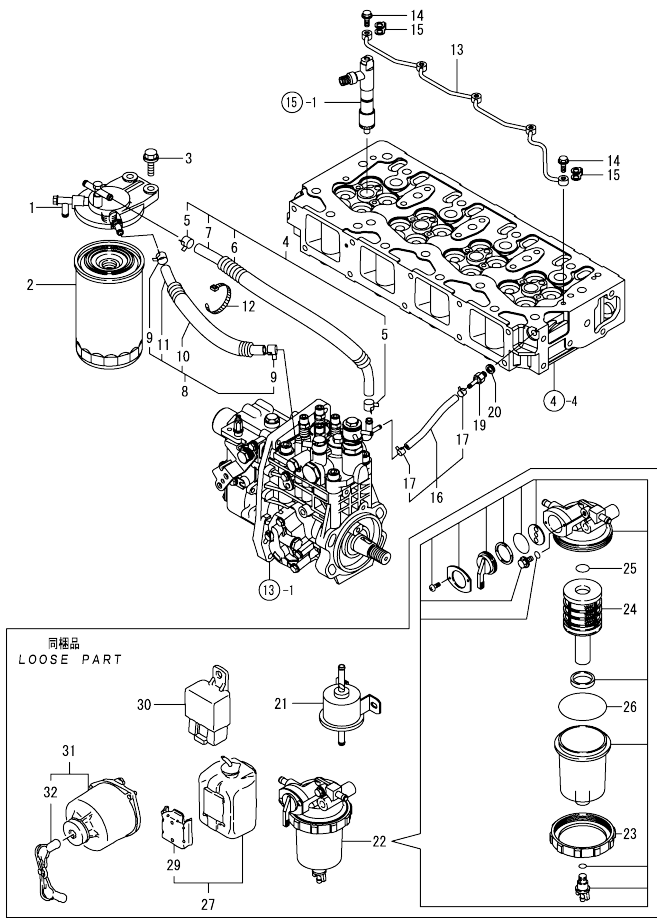
N:Old $\frac{100}{100}$ New, Q:Old $\frac{100}{100}$ New, R:Old $\frac{100}{100}$ New, S:Old $\frac{100}{100}$ New, W:Add, Z:Discontinued, F:Interchangeable by set, K:Qty Change
 Copyright (C) YANMAR GLOBAL CS CO., LTD. All Rights Reserved.

Fig.15. FUEL INJECTION VALVE



No.	Lev.	Parts No.	Description	Q'ty					
				(A)	(B)	(C)	(D)	(E)	(F)
1	1	729908-53100	FUEL INJECTOR ASSY	4					
2	2	129908-53000	NOZZLE ASSY, F.I.	4					
5	2	114250-53080	NUT, NOZZLE	4					
9	2	114250-53120	SPRING, NOZZLE	4					
10	2	114250-53130	SEAT, SPRING	4					
11	2	114250-53140	SPACER	4					
12	2	114250-53210	PIN	8					
13	2	114250-53400	SHIM SET	4					
25	1	123907-11601	SEAL, PIPE	4					
26	1	122780-59100	RETAINER, PIPE	2					
27	1	119305-59120	RETAINER, PIPE	1					
30	2	129150-59131	BOLT, M4X14	1					
31	1	129550-59120	RETAINER, PIPE	1					
34	2	129150-59131	BOLT, M4X14	2					
35	1	129907-59710	SUPPORT	1					
37	1	129908-59810	PIPE ASSY, INJECTION	1					
38	1	129908-59820	PIPE ASSY, INJECTION	1					
39	1	129908-59830	PIPE ASSY, INJECTION	1					
40	1	129908-59840	PIPE ASSY, INJECTION	1					
41	1	26106-060162	BOLT, M6X 16 PLATED	2					
42	1	26106-080182	BOLT, M8X 18 PLATED	1					

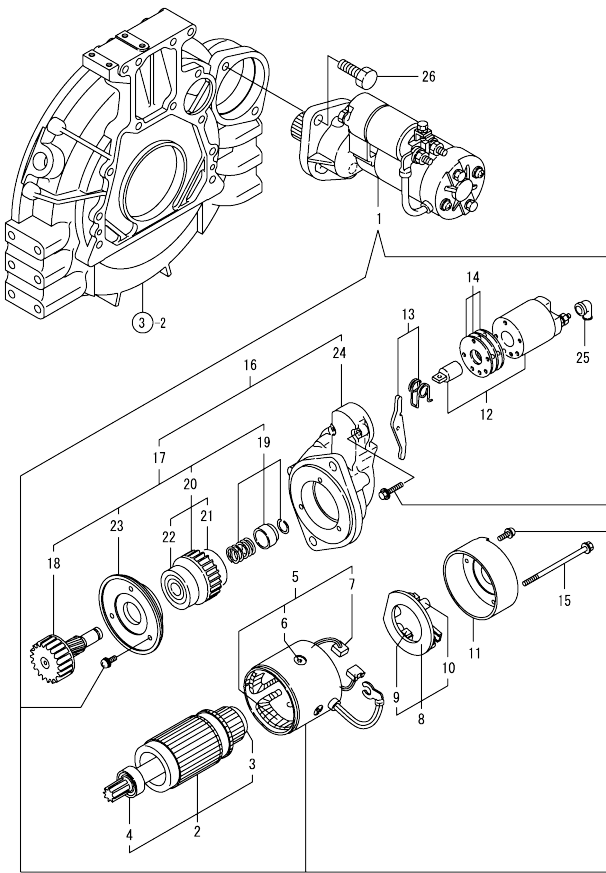
Fig.16. FUEL LINE



No.	Lev.	Parts No.	Description	Q'ty						I	R
				(A)	(B)	(C)	(D)	(E)	(F)		
1	1	129004-55612	BRACKET, FILTER	1							
2	1	129907-55801	FILTER, FUEL	1							
3	1	26106-080302	BOLT, M8X 30 PLATED	2							
4	1	129457-59010	HOSE ASSY, FUEL	1							
5	2	124766-59050	CLAMP, HOSE 11.5	2							
6	2	129957-59120	TUBE, CORRUGATED 15	1							
7	2	105025-59750	HOSE, FUEL	1							
8	1	129981-59010	HOSE ASSY, FUEL	1							
9	2	124766-59050	CLAMP, HOSE 11.5	2							
10	2	129950-59221	TUBE, CORRUGATED 15	1							
11	2	129980-59510	HOSE, FUEL	1							
12	1	121750-59890	BAND, NYLON	1							
13	1	129907-59140	PIPE ASSY, RETURN	1							
14	1	123907-59540	BOLT, PIPE JOINT M6	5							
15	1	123907-59550	GASKET	5							
16	1	129486-59551	HOSE ASSY, RETURN	1							
17	2	124722-59050	CLAMP, HOSE 9	2							
19	1	123907-59560	JOINT, HOSE	1							
20	1	22190-080002	WASHER, SEAL 6	1							
21	1	129612-52100	PUMP, FUEL FEED	1							
22	1	129242-55700	SEPARATOR ASSY, WATER	1							
22-1	1	129242-55701	SEPARATOR ASSY, WATER	1							N
		(A=ED1065)									
23	2	129100-55690	RING, CUP RETAINING	1							
24	2	119802-55710	ELEMENT	1							
25	2	24311-000160	O-RING, 1AP16.0	1							
26	2	24321-000650	O-RING, 1AG65.0	1							
27	1	720445-44200	TANK ASSY, SUB	1							
29	2	120445-44540	SUPPORT	1							
30	1	119247-77100	RELAY, POWER	1							
31	1	129115-91250	SWITCH ASSY, STARTER	1							
32	2	129115-91260	BODY, SWITCH	1							

N:Old $\frac{100}{100}$ New, Q:Old $\frac{100}{100}$ New, R:Old $\frac{100}{100}$ New, S:Old $\frac{100}{100}$ New, W:Add, Z:Discontinued, F:Interchangeable by set, K:Q'ty Change
Copyright (C) YANMAR GLOBAL CS CO., LTD. All Rights Reserved.

Fig.17. STARTING MOTOR



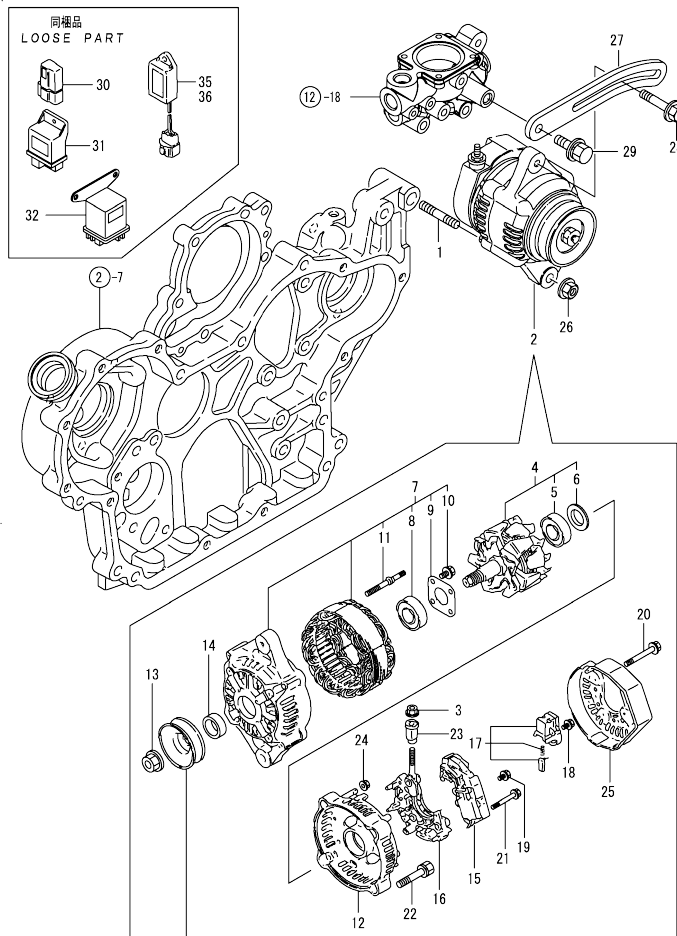
(A)=4TNV98T-NHK
(B)=
(C)=

(D)=
(E)=
(F)=

No.	Lev.	Parts No.	Description	Q'ty						I	R
				(A)	(B)	(C)	(D)	(E)	(F)		
1	1	129900-77010	STARTER ASSY	1							
2	2	129900-77400	ARMATURE ASSY	1							
3	3	X2114155110	BEARING, BALL	1							
4	3	X2114255110	BEARING, BALL	1							
5	2	129900-77440	COIL ASSY, FIELD	1							
6	3	171008-77450	SCREW, CORE SET	4							
7	3	129900-77450	BRUSH	2							
8	2	129900-77480	HOLDER ASSY, BRUSH	1							
9	3	129900-77450	BRUSH	2							
10	3	X2130631300	SPRING, BRUSH	4							
11	2	129900-77460	COVER	1							
12	2	129900-77591	SWITCH ASSY, MAGNET	1							
13	2	129900-77620	LEVER SET	1							
14	2	129900-77650	COVER KIT, DUST	1							
15	2	129900-77640	BOLT, THROUGH	2							
16	2	129900-77700	CASE ASSY, GEAR	1							
17	3	129900-77510	PINION ASSY, W/CLUTCH	1							
18	4	129900-77540	SHAFT, PINION	1							
19	4	129900-77550	STOPPER SET, PINION	1							
20	4	129900-77520	CLUTCH ASSY	1							
21	4	171008-77730	BEARING, BALL	1							
22	4	171008-77740	BEARING, BALL	1							
23	4	129900-77610	RETAINER, BEARING	1							
24	3	129900-77710	CASE, GEAR	1							
25	2	171008-77750	COVER, TERMINAL	1							
26	1	26116-120302	BOLT, M12X 30 PLATED	2							

OCD11-M07500 4TNV98T-NHK
 Fig.18. GENERATOR

OCD11-M07500 Fig.18



(A)=4TNV98T-NHK
 (B)=
 (C)=

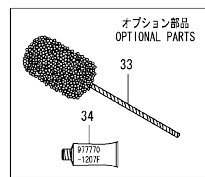
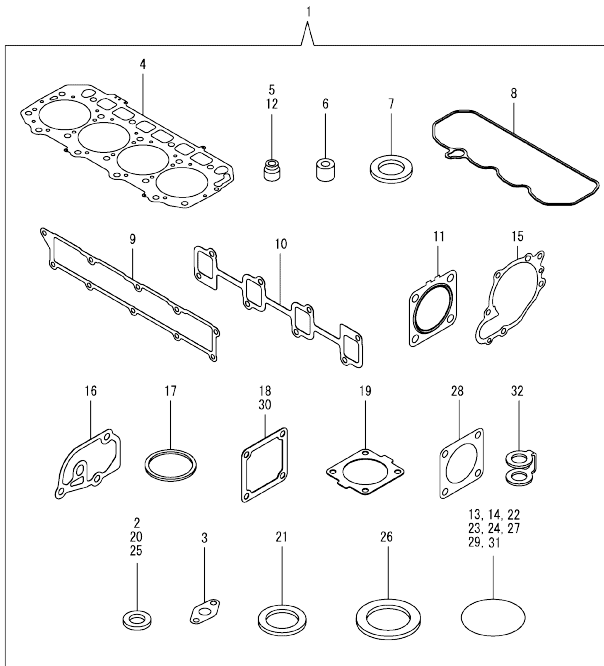
(D)=
 (E)=
 (F)=

No.	Lev.	Parts No.	Description	Q'ty						I	R
				(A)	(B)	(C)	(D)	(E)	(F)		
1	1	129795-01900	BOLT, STUD M10X33	1							
2	1	123951-77200	GENERATOR ASSY, 55A	1							
3	2	X9490561001	NUT	1							
4	2	129052-77380	ROTOR ASSY	1							
5	3	125301-79240	BEARING, BALL	1							
6	3	119620-79250	COVER, BEARING	1							
7	2	129052-77421	FRAME ASSY	1							
8	3	119620-79200	BEARING, BALL	1							
9	3	119620-79210	RETAINER	1							
10	3	119620-79220	SCREW	4							
11	3	119620-79230	BOLT, STUD	2							
12	2	128401-77440	COVER	1							
13	2	119620-77470	NUT	1							
14	2	119620-77490	COLLAR	1							
15	2	119626-77710	REGULATOR ASSY	1							
16	2	129052-79260	HOLDER	1							
17	2	129052-79270	HOLDER, BRUSH	1							
18	2	119620-79290	SCREW	6							
19	2	119620-79300	SCREW	1							
20	2	119620-79310	BOLT	3							
21	2	119620-79320	SCREW	2							
22	2	119620-79330	BOLT	2							
23	2	119620-79340	BUSH, INSULATION	1							
24	2	119620-79350	NUT	2							
25	2	119626-77450	FRAME	1							
26	1	26306-100002	NUT, M10	1							
27	1	129916-77300	ADJUSTER, BELT	1							
28	1	119810-77340	BOLT, ADJUST L=30	1							
29	1	26014-080302	BOLT, M8X 30	1							
30	1	119643-66900	DIODE	1							
31	1	119802-77200	RELAY, SAFETY	1							
32	1	119650-77910	RELAY ASSY, GLOW	1							
35	1	128300-77920	TIMER	1							
36	1	129211-77920	TIMER	1							

N:Old $\frac{100}{100}$ New, Q:Old $\frac{100}{100}$ New, R:Old $\frac{100}{100}$ New, S:Old $\frac{100}{100}$ New, W:Add, Z:Discontinued, F:Interchangeable by set, K:Q'ty Change
 Copyright (C) YANMAR GLOBAL CS CO., LTD. All Rights Reserved.

OCD11-M07500 4TNV98T-NHK
 Fig.19. GASKET SET

OCD11-M07500 Fig.19



(A)=4TNV98T-NHK
 (B)=
 (C)=

(D)=
 (E)=
 (F)=

No.	Lev.	Parts No.	Description	Q'ty						I	R
				(A)	(B)	(C)	(D)	(E)	(F)		
1	1	729908-92640	GASKET SET	1							1
2	2	23414-100000	GASKET, 10X1.0	2							
3	2	129908-39690	GASKET	1							
4	2	129907-01331	GASKET, HEAD	1							
5	2	124160-11340	SEAL, VALVE STEM	8							
6	2	119802-11870	PROTECTOR, NOZZLE	4							
7	2	119625-11880	SEAT, NOZZLE	4							
8	2	129933-11310	GASKET, BONNET	1							
9	2	129907-12110	GASKET, MANIFOLD	1							
10	2	129900-13251	GASKET, EXH.MANIFOLD	1							
11	2	129930-13201	GASKET, SILENCER	1							
12	2	119803-11340	SEAL, VALVE STEM	8							
13	2	129900-32030	O-RING, P20	2							
14	2	129900-32040	O-RING, P14	1							
15	2	129900-42020	GASKET, WATER PUMP	1							
16	2	129900-49870	GASKET, THERMOSTAT	1							
17	2	121850-49550	GASKET, THERMOSTAT	1							
18	2	121850-77021	GASKET, AIR HEATER	1							
19	2	121850-49540	GASKET, THERMOSTAT	1							
20	2	23414-080000	GASKET, 8X1.0	1							
21	2	124465-44950	GASKET, 16	2							
22	2	24311-000070	O-RING, 1AP7.0	1							
23	2	24311-000120	O-RING, 1AP12.0	8							
24	2	24311-000320	O-RING, 1AP32.0	2							
25	2	22190-080002	WASHER, SEAL 6	11							
26	2	22190-220002	WASHER, SEAL 22	1							
27	2	24351-030750	O-RING, 1A3075	1							
28	2	129472-18090	GASKET	1							
29	2	24321-000850	O-RING, 1AG85.0	1							
30	2	119129-77020	GASKET	1							
31	2	24321-000600	O-RING, 1AG60.0	1							
32	2	123907-59550	GASKET	5							
33	1	129400-92450	HONE, FLEX	1							1
34	1	977770-1207F	GASKET.LIQUID	1							1

Remarks
 (1) OPTIONAL PART.

N:Old $\frac{100}{100}$ New, Q:Old $\frac{100}{100}$ New, R:Old $\frac{100}{100}$ New, S:Old $\frac{100}{100}$ New, W:Add, Z:Discontinued, F:Interchangeable by set, K:Qty Change
 Copyright (C) YANMAR GLOBAL CS CO., LTD. All Rights Reserved.

Parts No. Index

Parts No.	Fig. No.	Ref. No.
105010-39140	11	7 -1
105025-59750	16	7
106500-44810	11	29
114250-39450	11	13
114250-53080	15	5
114250-53120	15	9
114250-53130	15	10
114250-53140	15	11
114250-53210	15	12
114250-53400	15	13
119000-01840	3	3
119000-39650	11	38
119005-35160	10	16
119005-77051	5	10
119100-11330	4	59
119129-77020	5	8
	19	30
119131-18320	8	3
119233-77932	14	125
119247-77100	16	30
119305-59120	15	27
119593-11301	4	32
119620-11180	4	16
119620-49290	10	25
119620-77470	18	13
119620-77490	18	14
119620-79200	18	8
119620-79210	18	9
119620-79220	18	10
119620-79230	18	11
119620-79250	18	6
119620-79290	18	18
119620-79300	18	19
119620-79310	18	20
119620-79320	18	21
119620-79330	18	22
119620-79340	18	23
119620-79350	18	24
119625-11880	4	28
	19	7
119626-77450	18	25
119626-77710	18	15
119640-01640	3	7
119643-66900	18	30
119650-77910	18	32
119660-61901	14	56
119802-11870	4	27
	19	6
119802-51590	13	59
119802-51600	13	60

Parts No.	Fig. No.	Ref. No.
119802-51680	13	64
119802-51690	13	65
119802-55710	16	24
119802-77200	18	31
119803-11340	4	17
	19	12
119807-61420	14	22
119810-77340	18	28
120130-22301	9	21
120445-44540	16	29
121023-01551	2	35
121252-39150	11	6
121450-42450	12	34
121520-34810	10	14
121750-59890	10	11
	16	12
121850-21130	9	11
121850-21290	9	4
121850-21920	9	5
121850-49540	12	22
	19	19
121850-49550	12	23
	19	17
121850-49810	12	25
121850-77021	5	9
	19	18
122780-59100	15	26
123900-13630	6	3
123900-25060	7	9
123901-03240	4	72
123901-39820	11	28
123907-11280	4	37
123907-11550	4	3
123907-11601	15	25
123907-11820	4	23
123907-11830	4	22
123907-39500	11	16
123907-59540	16	14
123907-59550	16	15
	19	32
	16	19
123907-59560	11	26
123910-39850	10	8
123910-49600	10	10
123910-49610	10	10
123912-03250	4	74
123912-33050	10	2
123912-33100	10	3
123915-44741	12	43
123951-18220	5	5
123951-77200	18	2

Parts No.	Fig. No.	Ref. No.
123957-44770	12	16
124070-13300	11	23
124160-01751	2	14
	4	52
124160-11340	4	18
	19	5
124160-11360	4	61
124223-39900	11	3
124240-01871	2	20
124240-01883	2	21
124465-44950	12	35
	19	21
124722-59050	12	39
	42	
	16	17
124766-59050	16	5
	9	
125301-79240	18	5
127410-21480	9	14
128300-77920	18	35
128401-77440	18	12
129004-55612	16	1
129005-59830	11	7
	18	
129006-44480	10	5
129052-77380	18	4
129052-77421	18	7
129052-79260	18	16
129052-79270	18	17
129100-01580	2	1
	3	1
129100-55690	16	23
129115-91250	16	31
129115-91260	16	32
129150-02450	7	4
129150-03090	4	68
129150-11230	4	40
	44	
129150-11750	4	21
	41	
	45	
129150-14200	7	1
129150-25920	7	13
129150-59131	15	30
	34	
129155-51280	14	5
129155-61460	14	27
129198-59540	11	7 -2
129211-77920	18	36
129242-55700	16	22

Parts No.	Fig. No.	Ref. No.
129242-55701	16	22 -1
129255-61410	14	21
129400-92450	19	33
129410-03990	4	66
129418-18320	6	4
129457-59010	16	4
129466-49300	10	7
129472-18090	8	2
	19	28
129486-59551	16	16
129550-59120	15	31
129612-52100	16	21
129795-01900	18	1
129900-01200	1	27
129900-01250	1	4
129900-01850	2	26
129900-01870	2	27
129900-02020	1	6
129900-02341	1	33
129900-02410	1	9
129900-02931	1	24
129900-02941	1	36
129900-13251	6	2
	19	10
129900-14100	7	6
129900-21200	9	3
129900-23001	9	23
129900-23200	9	26
129900-23601	9	27
129900-23611	9	30
129900-23911	9	29
129900-25100	7	10
129900-32030	2	6
	10	17
	19	13
129900-32040	2	7
	19	14
129900-42020	12	11
	19	15
129900-42450	12	14
129900-49870	12	30
	19	16
129900-77010	17	1
129900-77400	17	2
129900-77440	17	5
129900-77450	17	7
	9	
129900-77460	17	11
129900-77480	17	8
129900-77510	17	17

Parts No. Index

Parts No.	Fig. No.	Ref. No.	Parts No.	Fig. No.	Ref. No.	Parts No.	Fig. No.	Ref. No.	Parts No.	Fig. No.	Ref. No.
129900-77520	17	20	129907-55801	16	2	129951-01740	2	16	171051-01921	1	5
129900-77540	17	18	129907-59140	16	13	129953-25300	7	15	22190-080002	11	8
129900-77550	17	19	129907-59710	15	35	129953-34830	10	15			10
129900-77591	17	12	129908-11700	4	4	129953-35000	10	18			10 -1
129900-77610	17	23	129908-14581	7	3	129957-59120	16	6			19
129900-77620	17	13	129908-21000	9	1	129960-03990	4	75			21
129900-77640	17	15	129908-22080	9	15	129960-21640	9	9		16	20
129900-77650	17	14	129908-32060	2	4	129972-03220	4	70		19	25
129900-77700	17	16	129908-33010	10	1	129980-59510	16	11	22190-120002	13	98
129900-77710	17	24	129908-33101	10	4	129981-59010	16	8			107
129906-51580	13	57	129908-39410	11	32	144626-51090	13	9			108
129907-01190	1	29	129908-39690	11	27	158552-51570	13	54	22190-160002	14	74
129907-01331	1	28		19	3	158552-51580	13	58	22190-180002	13	99
	19	4	129908-42100	12	1	158552-51670	13	125			109
129907-01579	2	33	129908-42101	12	1 -1	158552-51781	13	96	22190-220002	3	9
129907-01950	13	130	129908-49060	10	6	158552-52100	13	102		19	26
129907-01960	13	131	129908-53000	15	2	158552-52310	13	104	22217-180000	7	18
129907-03011	4	54	129908-59810	15	37	158552-52400	13	105		13	110
129907-03061	4	55	129908-59820	15	38	158552-52500	13	103	22252-000300	9	22
129907-03070	4	56	129908-59830	15	39	158552-61900	14	70	22312-050140	13	111
129907-07900	4	1	129908-59840	15	40	158553-51551	13	51	22351-030010	11	39
129907-11100	4	13	129915-01610	3	2	158553-51630	13	69	22351-050010	13	112
129907-11110	4	14	129916-01790	3	5	158553-51640	13	71	22351-060012	1	10
129907-11120	4	15	129916-01800	2	25	158553-51660	13	73	22512-070140	7	7
129907-11250	4	34	129916-21610	9	10	158553-51670	13	63		9	6
129907-11260	4	35	129916-49530	12	21	158553-51680	13	74	22857-500100	4	60
129907-11270	4	36	129916-59020	13	127	158557-51570	13	55	23000-022000	4	76
129907-11341	4	33	129916-77300	18	27	158560-51300	13	21	23000-025000	10	12
129907-11510	4	19	129920-21580	9	12	158560-51600	13	68		11	30
129907-11650	4	38	129927-42140	2	7 A	158560-61050	14	2	23000-054000	5	6
129907-11660	4	42	129928-39450	11	1	158560-61061	14	82	23414-080000	12	31
129907-11800	4	26	129930-13201	19	11	158560-61071	14	3		19	20
129907-11910	4	29	129933-01720	3	6 -1	158560-61430	14	23	23414-100000	11	11
129907-11920	4	46	129933-03010	4	64	158560-61442	14	24		19	2
129907-11950	4	30	129933-03230	4	71	158563-51150	7	17	23857-030000	11	9
129907-12110	5	1	129933-03240	4	69		13	129			20
	19	9	129933-11300	4	53	158563-51281	13	19	23857-060000	13	113
129907-14400	7	2	129933-11310	4	58		20		23875-030000	12	27
129907-22050	9	17		19	8	158563-51330	13	29	23876-020000	4	10
129907-25900	7	16	129935-13100	6	1	158600-51270	13	18	23876-030000	1	11
129907-39061	11	14	129935-18010	8	1	158601-51550	13	52			12
129907-49610	12	36	129935-18350	5	7	158601-51570	13	56			13
129907-49620	12	40	129935-39610	11	24	158601-51650	13	72		4	11
129907-49710	12	37	129944-12110	5	2	158601-51770	13	95	23887-120002	13	100
129907-49720	12	41	129944-21650	9	7	158601-51790	13	97	23887-160002	14	77
129907-49730	12	24	129948-01500	2	3	171008-77450	17	6	24311-000070	2	8
129907-49750	12	38	129948-01740	3	6	171008-77730	17	21		13	114
129907-49800	12	18	129948-03310	4	74 -1	171008-77740	17	22		19	22
129907-51340	13	30	129948-42240	12	15	171008-77750	17	25	24311-000120	4	31
129907-51560	13	53	129950-59221	16	10	171031-11741	2	31			62

Parts No. Index

Parts No.	Fig. No.	Ref. No.
24311-000120	19	23
24311-000160	16	25
24311-000320	2	15
		32
	4	63
	19	24
24321-000600	10	13
	19	31
24321-000650	16	26
24321-000850	19	29
24341-000240	2	36
24341-000530	9	8
24351-030750	2	9
	19	27
24356-010200	13	66
		115
24356-020210	13	116
24372-000150	13	67
26014-080302	18	29
26106-060102	13	117
	14	60
		61
26106-060122	12	28
26106-060142	14	78
26106-060162	2	37
	11	31
	15	41
26106-060202	12	29
26106-060252	14	79
26106-060302	12	12
26106-060352	13	118
26106-060402	14	80
26106-080122	3	10
	10	23
	11	12
		22
	12	32
26106-080142	4	77
26106-080162	2	10
		22
		28
	4	2
	7	8
	10	24
	13	132
26106-080182	15	42
26106-080202	2	11
		17
26106-080222	13	133
		134

Parts No.	Fig. No.	Ref. No.
26106-080302	16	3
26106-080402	2	29
	4	48
26106-080452	2	12
		18
	5	3
26106-080552	7	14
	12	13
26106-080602	4	49
		50
	12	33
26106-080702	2	30
	5	11
26106-080752	2	19
26106-080802	5	4
26106-080902	5	12
26106-100202	13	135
26106-100552	12	17
26116-050102	4	73
26116-120302	17	26
26206-100352	3	4
26216-100302	2	5
26226-080222	4	47
26306-080002	4	51
	8	4
26306-100002	2	13
	18	26
26450-100452	13	121
26756-060002	14	62
26776-180002	7	19
	13	122
27241-300000	1	14
27241-400000	4	12
27310-070001	4	24
720445-44200	16	27
729900-02801	1	30
729907-22950	9	34
729908-01560	1	1
729908-22900	9	32
729908-53100	15	1
729908-92640	19	1
729933-51340	13	1
977770-1207F	19	34
X2114155110	17	3
X2114255110	17	4
X2130631300	17	10
X9490561001	18	3

Parts No.	Fig. No.	Ref. No.
-----------	----------	----------

Parts No.	Fig. No.	Ref. No.
-----------	----------	----------