

0CD50-M01200EN

P R E F A C E

This parts catalog is the 1st edition of 4TNV98T-NWD for WORLD.

Published : April, 2015

Contents

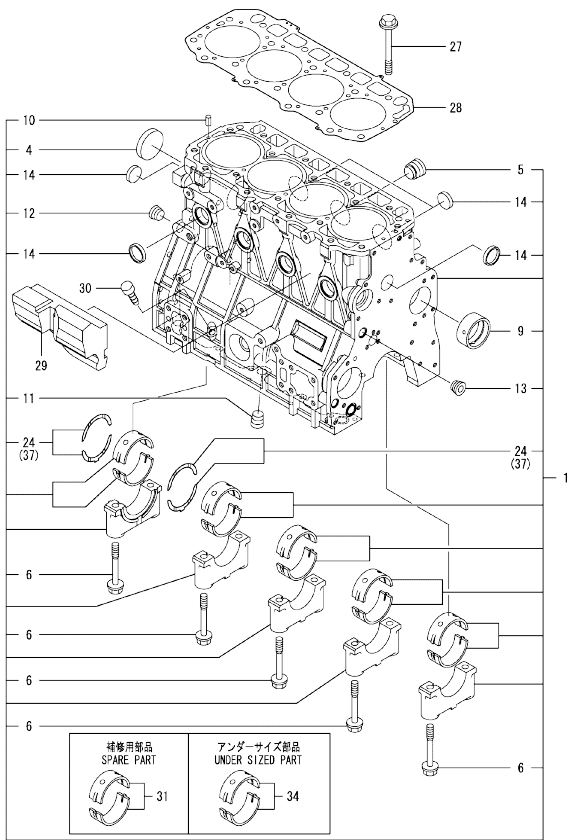
OCD50-M01200

Fig. No.	Fig. Name	Fig. No.	Fig. Name
4	TNV98T-NWD		
1.	CYLINDER BLOCK		
2.	GEAR HOUSING		
3.	OIL SUMP		
4.	CYLINDER HEAD & BONNET		
5.	SUCTION MANIFOLD		
6.	EXHAUST MANIFOLD		
7.	CAMSHAFT & DRIVING GEAR		
8.	TURBINE		
9.	CRANKSHAFT & PISTON		
10.	LUB. OIL SYSTEM		
11.	LUB. OIL PIPE		
12.	COOLING WATER SYSTEM		
13.	FUEL INJECTION PUMP		
14.	GOVERNOR		
15.	FUEL INJECTION VALVE		
16.	FUEL PIPE		
17.	STARTER MOTOR		
18.	GENERATOR		

Fig.1. CYLINDER BLOCK

(A)=4TNV98T-NWD
(B)=
(C)=

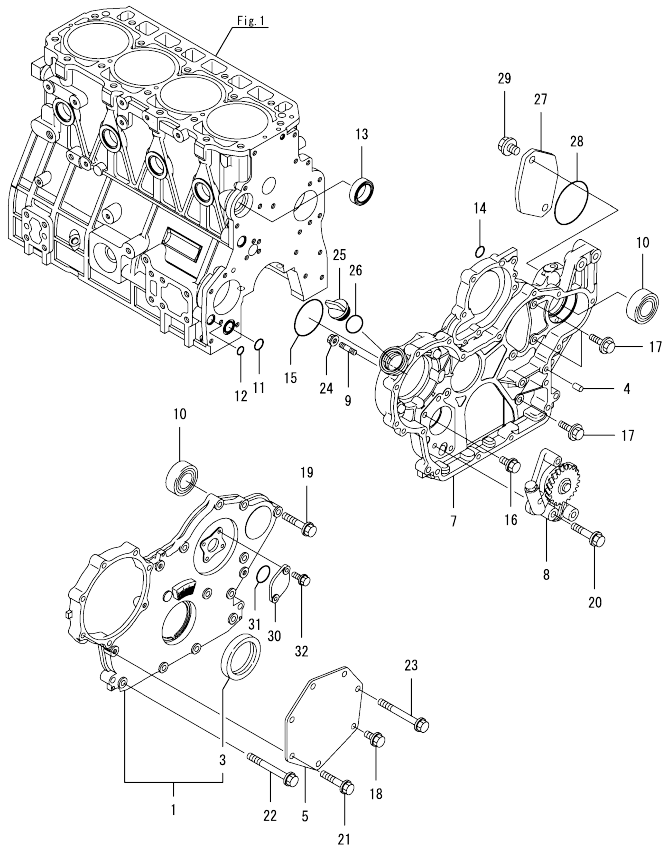
(D)=
(E)=
(F)=



No.	Lev.	Parts No.	Description	Q'ty						I	R
				(A)	(B)	(C)	(D)	(E)	(F)		
1	1	729908-01560	BLOCK ASSY, CYLINDER	1							
4	2	129900-01250	PLUG, 55	1							
5	2	171051-01921	PLUG, NPTF1	1							
6	2	129900-02020	BOLT, METAL CAP	10							
9	2	129900-02410	BUSH, CAMSHAFT	1							
10	2	22351-060012	PIN, SPRING 6.0X12	2							
11	2	23876-030000	PLUG, R03	1							
12	2	23876-030000	PLUG, R03	1							
13	2	23876-030000	PLUG, R03	1							
14	2	27241-300000	PLUG 30	8							
24	2	129900-02931	BEARING, THRUST	2							
27	1	129900-01200	BOLT, HEAD	18							
28	1	129907-01331	GASKET, HEAD	1							
29	1	129907-01190	SPACER	1							
30	1	124976-34850	CAP	1							
31	1	729900-02801	BEARING, MAIN	5							1
34	1	129900-02341	BEARING, 0.25 US	5							2
37	1	129900-02941	BEARING, THRUST 0.25	2							3

Remarks
 (1)Spare parts.
 (2)Under-sized(U.S.=0.25) parts.
 (3)Over-sized(O.S.=0.25) parts.

Fig.2. GEAR HOUSING

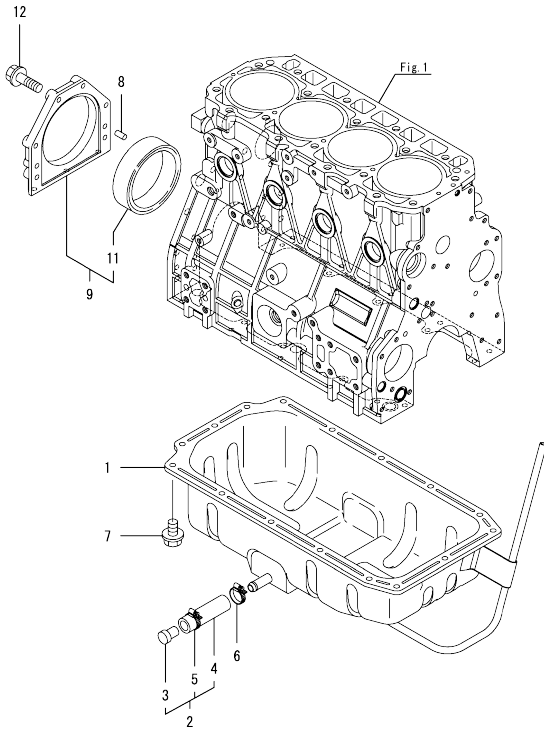


(A)=4TNV98T-NWD
(B)=
(C)=

(D)=
(E)=
(F)=

No.	Lev.	Parts No.	Description	Qty						I	R
				(A)	(B)	(C)	(D)	(E)	(F)		
1	1	729907-01590	COVER ASSY,GEAR CASE	1							
3	2	129916-01800	SEAL, OIL	1							
4	1	129100-01580	PIN, 8X16	4							
5	1	129951-01740	COVER	1							
7	1	129933-01500	CASE, GEAR	1							
8	1	129908-32060	PUMP ASSY, OIL	1							
9	1	26216-100302	STUD, M10X 30	4							
10	1	129900-26250	BEARING, BALL 6206C3	2							
11	1	129900-32030	O-RING, P20	1							
12	1	129900-32040	O-RING, P14	1							
13	1	129927-42140	GASKET, CW-P OUT	1							
14	1	24311-000070	O-RING, 1AP7.0	1							
15	1	24351-030750	O-RING, 1A3075	1							
16	1	26106-080162	BOLT, M8X 16 PLATED	1							
17	1	26106-080202	BOLT, M8X 20 PLATED	3							
18	1	26106-080202	BOLT, M8X 20 PLATED	1							
19	1	26106-080402	BOLT, M8X 40 PLATED	5							
20	1	26106-080452	BOLT, M8X 45 PLATED	3							
21	1	26106-080452	BOLT, M8X 45 PLATED	5							
22	1	26106-080702	BOLT, M8X 70 PLATED	6							
23	1	26106-080752	BOLT, M8X 75 PLATED	1							
24	1	26306-100002	NUT, M10	4							
25	1	124160-01751	COVER, FILLER	1							
26	1	24311-000320	O-RING, 1AP32.0	1							
27	1	121023-26071	COVER	1							
28	1	24321-000850	O-RING, 1AG85.0	1							
29	1	26106-100202	BOLT, M10X 20 PLATED	2							
30	1	121023-01551	COVER	1							
31	1	24341-000240	O-RING, 1AS24.0	1							
32	1	26106-060162	BOLT, M6X 16 PLATED	2							

Fig.3. OIL SUMP

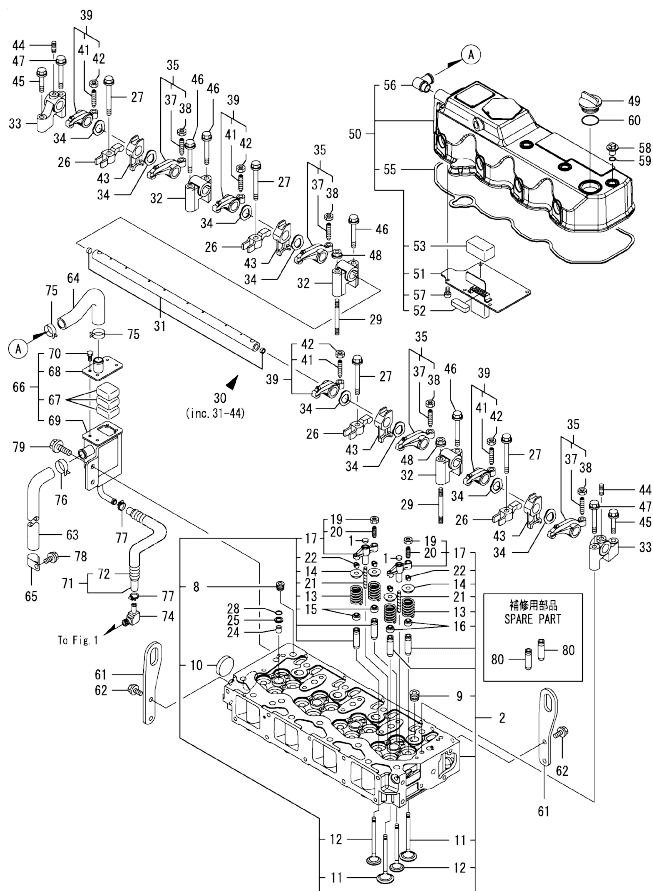


(A)=4TNV98T-NWD
(B)=
(C)=

(D)=
(E)=
(F)=

No.	Lev.	Parts No.	Description	Q'ty						I	R
				(A)	(B)	(C)	(D)	(E)	(F)		
1	1	129974-01740	SUMP ASSY, OIL	1							
2	1	119540-39950	HOSE ASSY, OIL DRAIN	1							
3	2	119656-39931	PLUG	1							
4	2	119540-39960	HOSE, DRAIN	1							
5	2	23001-022000	CLAMP, HOSE 22	1							
6	1	23001-022000	CLAMP, HOSE 22	1							
7	1	26106-080122	BOLT, M8X 12 PLATED	16							
8	1	129100-01580	PIN, 8X16	2							
9	1	129966-01650	CASE ASSY, OIL SEAL	1							
11	2	129916-01790	SEAL, D115/95XT11	1							
12	1	129486-01670	BOLT, M8X30	6							

Fig.4. CYLINDER HEAD & BONNET



(A)=4TNV98T-NWD
(B)=
(C)=

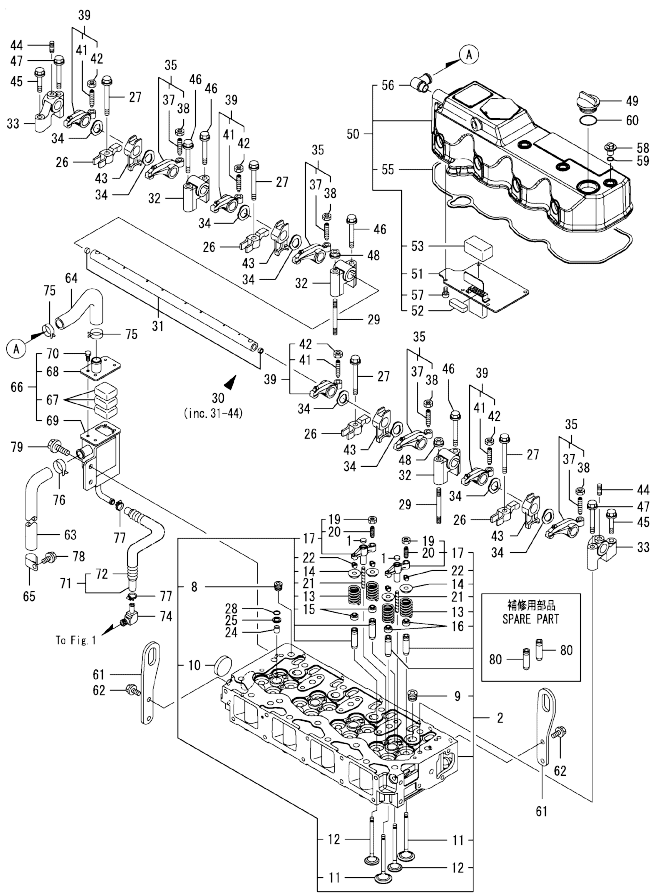
(D)=
(E)=
(F)=

No.	Lev.	Parts No.	Description	Q'ty						I	R
				(A)	(B)	(C)	(D)	(E)	(F)		
1	1	123907-11550	SEAT, VALVE BRIDGE	8							
2	1	129908-11700	HEAD ASSY, CYLINDER	1							
8	2	23876-020000	PLUG, R02	1							
9	2	23876-030000	PLUG, R03	4							
10	2	27241-400000	PLUG, 40	1							
11	2	129907-11100	VALVE, INTAKE	8							
12	2	129907-11110	VALVE, EXHAUST	8							
13	2	129907-11120	SPRING, VALVE	16							
14	2	119620-11180	RETAINER, SPRING	16							
15	2	119803-11340	SEAL, VALVE STEM	8							
16	2	124160-11340	SEAL, VALVE STEM	8							
17	2	129907-11510	BRIDGE ASSY, VALVE	8							
19	3	129150-11750	NUT, M8	8							
20	3	123907-11830	ADJUSTER	8							
21	2	123907-11820	GUIDE	8							
22	2	27310-070001	COTTER, 7	16							
24	1	119802-11870	PROTECTOR, NOZZLE	4							
25	1	119625-11880	SEAT, NOZZLE	4							
26	1	129907-11910	RETAINER, NOZZLE	4							
27	1	129907-11950	BOLT, M8X75	4							
28	1	24311-000120	O-RING, 1AP12.0	4							
29	1	119593-11301	STUD, M8X80	2							
30	1	129907-11341	SHAFT ASSY, ROCKER	1							
31	2	129907-11250	SHAFT, ROCKER ARM	1							
32	2	129907-11260	SUPPORT, ROCKER ARM	3							
33	2	129907-11270	SUPPORT, ROCKER ARM	2							
34	2	123907-11280	WASHER	8							
35	2	129907-11650	ARM, ROCKER	4							
37	3	129150-11230	SCREW, VALVE ADJUST	4							
38	3	129150-11750	NUT, M8	4							
39	2	129907-11660	ARM, ROCKER	4							
41	3	129150-11230	SCREW, VALVE ADJUST	4							
42	3	129150-11750	NUT, M8	4							
43	2	129907-11920	RETAINER	4							
44	2	26226-080222	STUD, M8X 22	2							
45	1	26106-080402	BOLT, M8X 40 PLATED	2							
46	1	26106-080602	BOLT, M8X 60 PLATED	4							
47	1	26106-080602	BOLT, M8X 60 PLATED	2							
48	1	26306-080002	NUT, M8	2							
49	1	124160-01751	COVER, FILLER	1							
50	1	129933-11320	BONNET ASSY, HEAD	1							
51	2	129907-03011	PLATE	1							
52	2	129907-03061	BAFFLE, BREATHER	1							
53	2	129907-03070	BAFFLE, BREATHER	1							
55	2	129933-11310	GASKET, BONNET	1							
56	2	119100-11330	ELBOW	1							
57	2	22857-500100	SCREW, 5X10	6							
58	1	124160-11360	KNOB	4							
59	1	24311-000120	O-RING, 1AP12.0	4							
60	1	24311-000320	O-RING, 1AP32.0	1							
61	1	129907-07900	LIFTER	2							

Remarks
(1) Spare parts.

N:Old $\frac{100}{100}$ New, Q:Old $\frac{100}{100}$ New, R:Old $\frac{100}{100}$ New, S:Old $\frac{100}{100}$ New, W:Add, Z:Discontinued, F:Interchangeable by set, K:Q'ty Change
++ CONTINUE ++
Copyright (C) 2015 YANMAR CO., LTD. All Rights Reserved.

Fig.4. CYLINDER HEAD & BONNET



(A)=4TNV98T-NWD
(B)=
(C)=

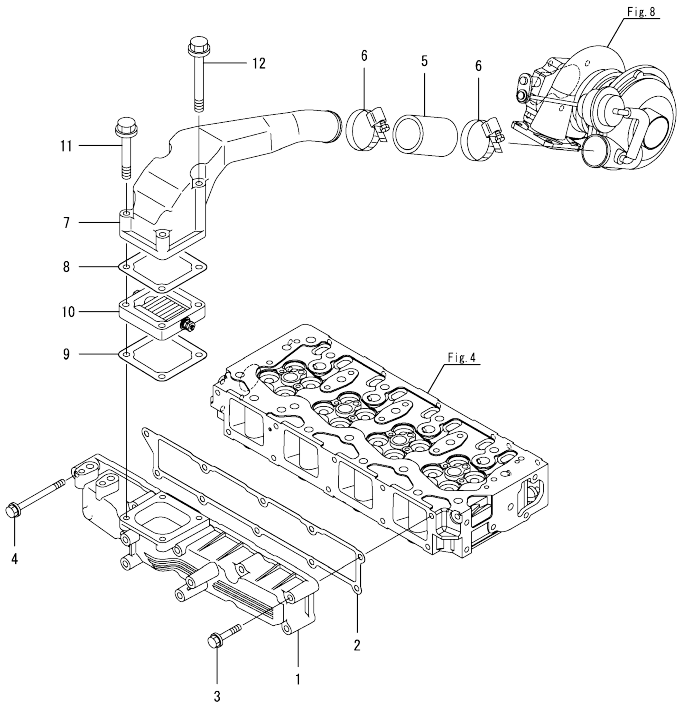
(D)=
(E)=
(F)=

No.	Lev.	Parts No.	Description	Q'ty						I	R
				(A)	(B)	(C)	(D)	(E)	(F)		
62	1	26106-080162	BOLT, M8X 16 PLATED	4							
63	1	119006-03090	HOSE, BREATHER	1							
64	1	129908-03099	HOSE, BREATHER	1							
65	1	129150-03100	RETAINER, PIPE	1							
66	1	129908-03230	BREATHER ASSY	1							
67	2	123901-03240	FILTER	3							
68	2	129908-03240	COVER, BREATHER	1							
69	2	129908-03250	BREATHER	1							
70	2	26116-050102	BOLT, M5X 10 PLATED	4							
71	1	129935-03260	HOSE ASSY, RETURN	1							
72	2	129935-03270	TUBE, CORRUGATED	1							
74	1	123901-03280	ELBOW, PT3/8-10	1							
75	1	129410-03990	CLIP, HOSE 21.5	2							
76	1	129960-03990	CLIP, HOSE 19.8	1							
77	1	23000-022000	CLAMP, 22	2							
78	1	26106-080122	BOLT, M8X 12 PLATED	1							
79	1	26106-080142	BOLT, M8X 14 PLATED	2							
80	1	129907-11800	GUIDE, VALVE	16							1

Remarks

(1) Spare parts.

Fig.5. SUCTION MANIFOLD

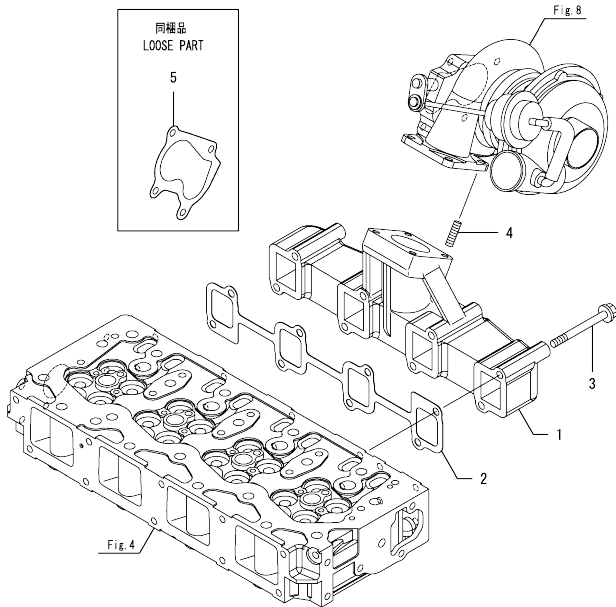


(A)=4TNV98T-NWD
(B)=
(C)=

(D)=
(E)=
(F)=

No.	Lev.	Parts No.	Description	Q'ty					
				(A)	(B)	(C)	(D)	(E)	(F)
1	1	129907-12100	MANIFOLD, AIR INTAKE	1					
2	1	129907-12110	GASKET, MANIFOLD	1					
3	1	26106-080552	BOLT, M8X 55 PLATED	9					
4	1	26106-080852	BOLT, M8X 85 PLATED	1					
5	1	123951-18220	JOINT, RUBBER	1					
6	1	23000-054000	CLAMP, 54	2					
7	1	129908-18350	DUCT, AIR	1					
8	1	119129-77020	GASKET	1					
9	1	121850-77021	GASKET	1					
10	1	119005-77051	HEATER	1					
11	1	26106-080702	BOLT, M8X 70 PLATED	2					
12	1	26106-081202	BOLT, M8X120 PLATED	2					

Fig.6. EXHAUST MANIFOLD

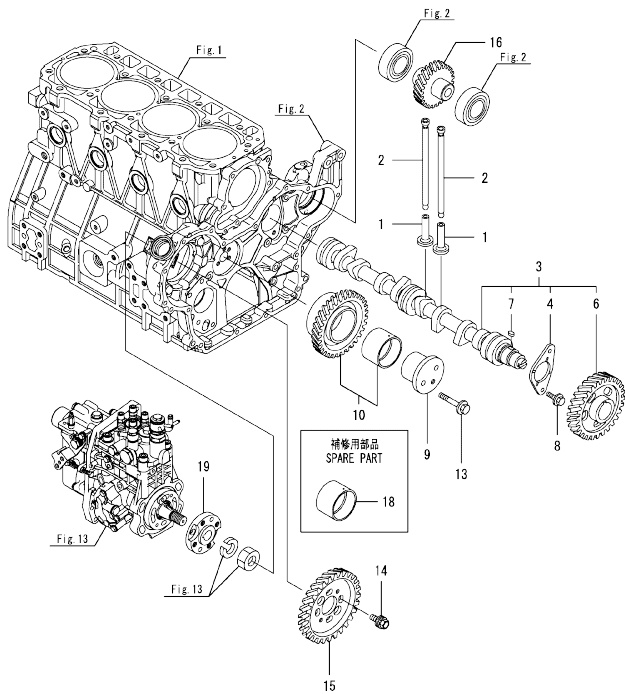


(A)=4TNV98T-NWD
(B)=
(C)=

(D)=
(E)=
(F)=

No.	Lev.	Parts No.	Description	Q'ty						I	R
				(A)	(B)	(C)	(D)	(E)	(F)		
1	1	129908-13100	MANIFOLD, EXHAUST	1							
2	1	129900-13251	GASKET	1							
3	1	129E00-13640	BOLT, M8X80 10.9T	8							
4	1	129418-18320	STUD, M8X20	4							
5	1	123901-18080	GASKET	1							

Fig.7. CAMSHAFT & DRIVING GEAR



(A)=4TNV98T-NWD
(B)=
(C)=

(D)=
(E)=
(F)=

No.	Lev.	Parts No.	Description	Q'ty						I	R
				(A)	(B)	(C)	(D)	(E)	(F)		
1	1	129150-14200	TAPPET	8							
2	1	129907-14400	ROD, PUSH	8							
3	1	129908-14581	CAMSHAFT ASSY	1							
4	2	129150-02450	BEARING, THRUST	1							
6	2	129900-14100	GEAR, CAMSHAFT	1							
7	2	22512-070140	KEY, 7X 14	1							
8	1	26106-080142	BOLT, M8X 14 PLATED	2							
9	1	123900-25060	SHAFT, IDLE GEAR	1							
10	1	129900-25100	GEAR ASSY, IDLE	1							
13	1	26106-080552	BOLT, M8X 55 PLATED	3							
14	1	129953-25300	BOLT	4							
15	1	129907-25900	GEAR, PUMP	1							
16	1	129900-26000	GEAR ASSY, PUMP	1							
18	1	129150-25920	BUSH, IDLE GEAR	1							1
19	1	158563-51150	FLANGE	1							

Remarks

(1)Spare parts.

Fig.8. TURBINE

(A)=4TNV98T-NWD
(B)=
(C)=

(D)=
(E)=
(F)=

No.	Lev.	Parts No.	Description	Q'ty						I	R
				(A)	(B)	(C)	(D)	(E)	(F)		
1	1	129908-18010	TURBINE, RHF5	1							
2	1	129472-18090	GASKET	1							
3	1	26306-080002	NUT, M8	4							

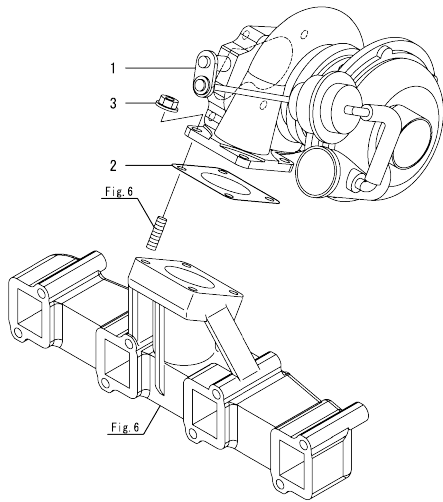
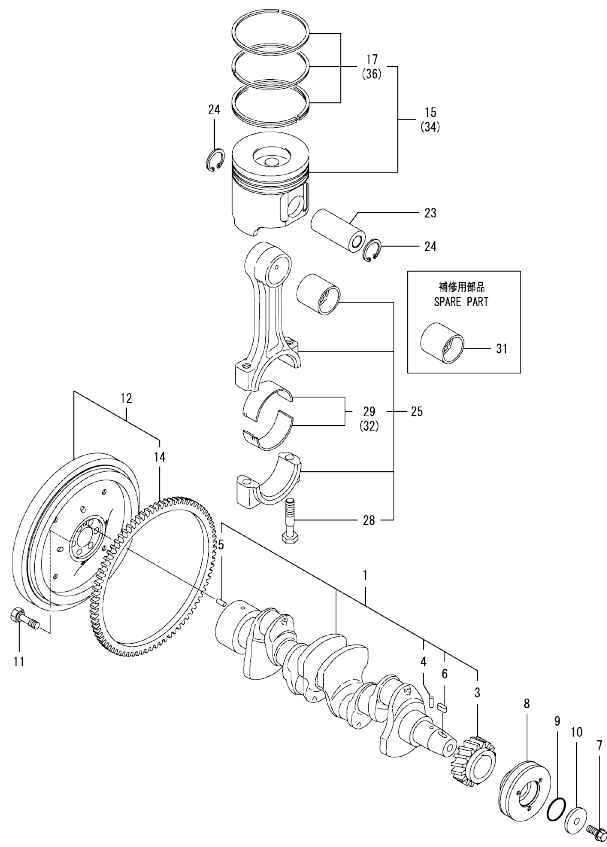


Fig.9. CRANKSHAFT & PISTON



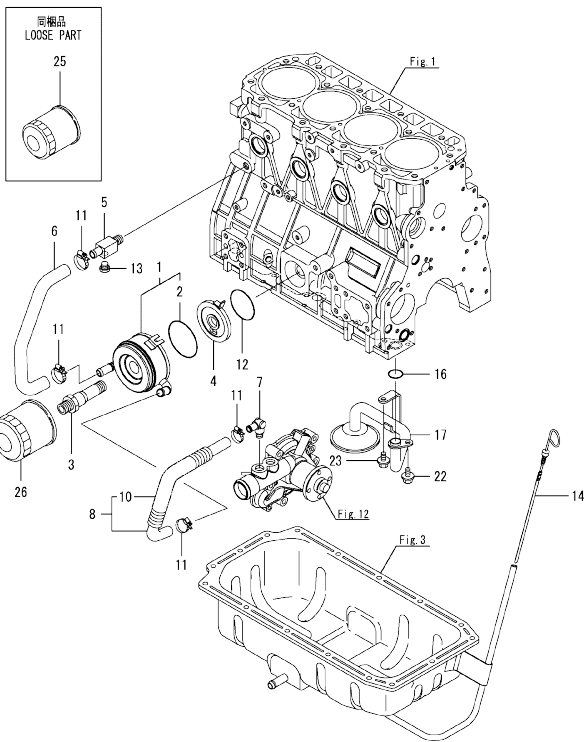
Remarks
 (1) Spare parts.
 (2) Under-sized (U.S.=0.25) parts.
 (3) Over-sized (O.S.=0.25) parts.

No.	Lev.	Parts No.	Description	Q'ty						I	R
				(A)	(B)	(C)	(D)	(E)	(F)		
1	1	129908-21000	CRANKSHAFT ASSY	1							
3	2	129900-21200	GEAR, CRANKSHAFT	1							
4	2	121850-21290	PIN	1							
5	2	121850-21920	PIN, PARALLEL 10X22	1							
6	2	22512-070140	KEY, 7X 14	1							
7	1	129916-21610	BOLT	1							
8	1	129907-21650	V-PULLEY, 130	1							
9	1	129960-21930	PACKING, WASHER	1							
10	1	129960-21940	WASHER, V-PULLEY	1							
11	1	121850-21130	BOLT, FLYWHEEL	6							
12	1	129960-21590	FLYWHEEL ASSY	1							
14	2	129900-21600	GEAR, RING	1							
15	1	129908-22080	PISTON ASSY	4							
17	2	129907-22051	RING SET, PISTON	4							
23	1	120130-22301	PIN, PISTON	4							
24	1	22252-000300	RING, 30	8							
25	1	129900-23001	ROD ASSY, CONNECTING	4							
28	2	129900-23200	BOLT, CONNECTING ROD	8							
29	2	129900-23601	BEARING, CRANK PIN	4							
31	1	129900-23911	BEARING, PISTON PIN	4							1
32	1	129900-23611	BEARING, 0.25 US	4							2
34	1	729908-22900	PISTON ASSY, 0.25 OS	4							3
36	2	729907-22950	RING SET, 0.25 OS	4							3

Fig.10. LUB. OIL SYSTEM

(A)=4TNV98T-NWD
(B)=
(C)=

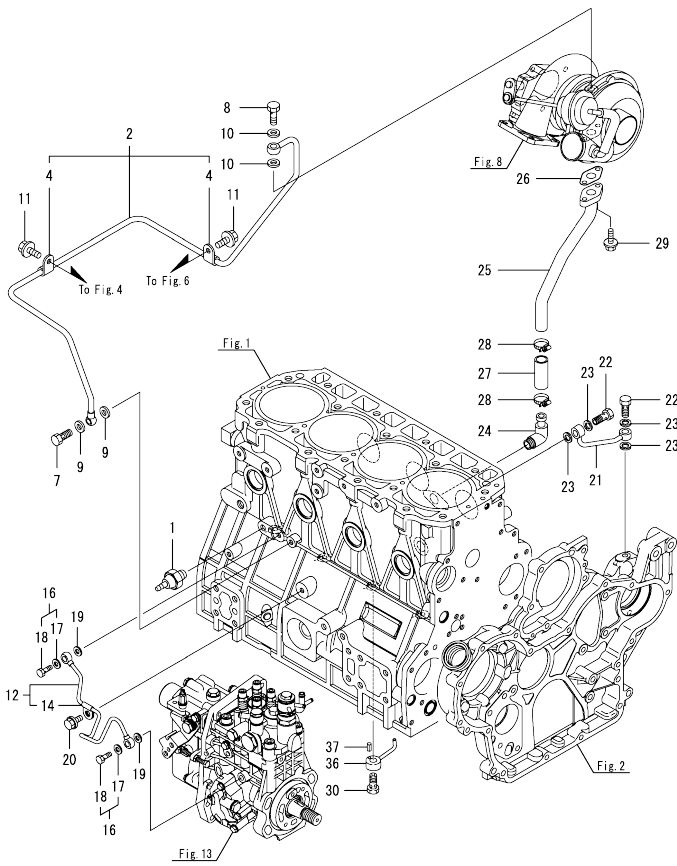
(D)=
(E)=
(F)=



No.	Lev.	Parts No.	Description	Q'ty						I	R
				(A)	(B)	(C)	(D)	(E)	(F)		
1	1	129908-33010	COOLER ASSY, OIL	1							
2	2	123912-33050	O-RING	1							
3	1	123912-33100	BOLT, COOLER	1							
4	1	129908-33101	BRACKET, COOLER	1							
5	1	129006-44480	JOINT	1							
6	1	129908-49060	PIPE, WATER	1							
7	1	129466-49300	ELBOW, PT3/8	1							
8	1	123910-49600	PIPE, WATER	1							
10	2	123910-49610	TUBE, CORRUGATED	1							
11	1	23000-025000	CLAMP, 25	4							
12	1	24321-000600	O-RING, 1AG60.0	1							
13	1	171056-49120	PLUG, DRAIN	1							
14	1	129974-34810	DIPSTICK, OIL	1							
16	1	129900-32030	O-RING, P20	1							
17	1	129930-35000	PIPE ASSY, OIL INLET	1							
22	1	26106-080122	BOLT, M8X 12 PLATED	1							
23	1	26106-080122	BOLT, M8X 12 PLATED	1							
25	1	119005-35151	FILTER, D80X100L	1							1
26	1	119005-35151	FILTER, D80X100L	1							1

Remarks
(1)Spare parts.

Fig.11. LUB. OIL PIPE

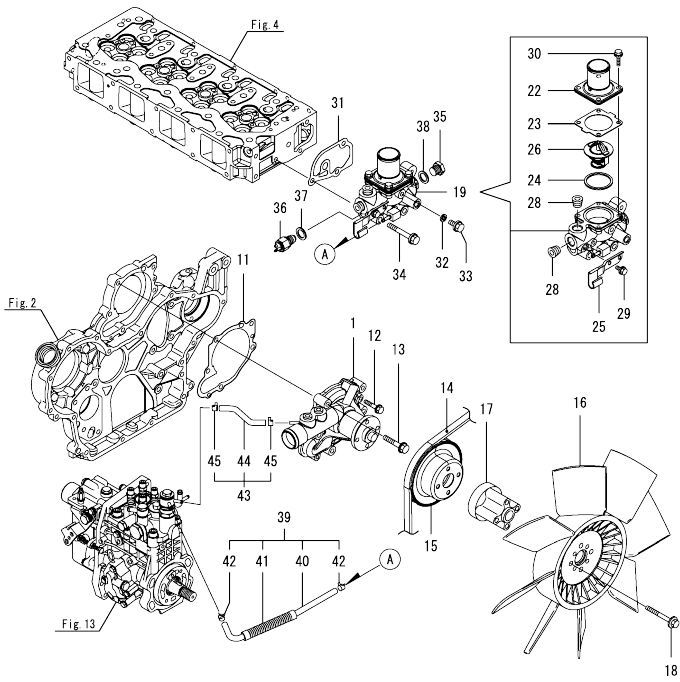


(A)=4TNV98T-NWD
(B)=
(C)=

(D)=
(E)=
(F)=

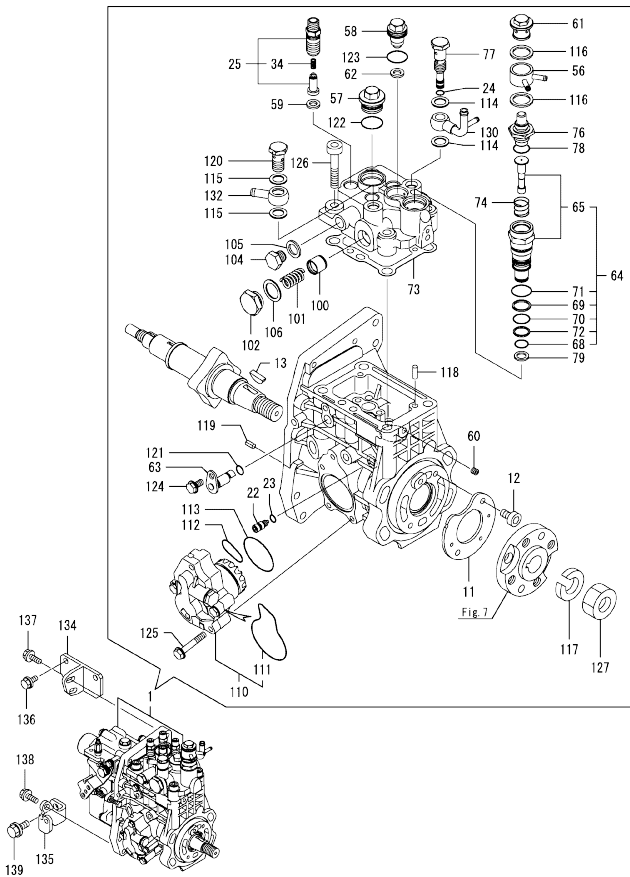
No.	Lev.	Parts No.	Description	Q'ty						I	R
				(A)	(B)	(C)	(D)	(E)	(F)		
1	1	114250-39450	SWITCH, 0.5KG	1							
2	1	129908-39070	PIPE ASSY, OIL	1							
4	2	124223-39900	RETAINER	2							
7	1	105010-39140	BOLT, PIPE JOINT	1							
8	1	121252-39150	BOLT, PIPE JOINT M10	1							
9	1	22190-080002	WASHER, SEAL 8	2							
10	1	23414-100000	GASKET, 10X1.0	2							
11	1	26106-080122	BOLT, M8X 12 PLATED	2							
12	1	129907-39061	PIPE ASSY, OIL	1							
14	2	123907-39500	RETAINER	1							
16	1	129005-59830	BOLT ASSY, JOINT M8	2							
17	2	22190-080002	WASHER, SEAL 8	2							
18	2	23857-030000	BOLT, JOINT 3	2							
19	1	22190-080002	WASHER, SEAL 8	2							
20	1	26106-080122	BOLT, M8X 12 PLATED	1							
21	1	129930-39050	PIPE, OIL	1							
22	1	105010-39140	BOLT, PIPE JOINT	2							
23	1	22190-080002	WASHER, SEAL 8	4							
24	1	124070-13300	ELBOW, PT3/8	1							
25	1	129908-39610	PIPE, OIL	1							
26	1	129908-39690	GASKET	1							
27	1	123901-39820	HOSE	1							
28	1	23000-025000	CLAMP, 25	2							
29	1	26106-060162	BOLT, M6X 16 PLATED	2							
30	1	129908-39410	VALVE ASSY, CHECK	4							
36	1	119000-39650	NOZZLE	4							
37	1	22351-030010	PIN, SPRING 3.0X10	4							

Fig.12. COOLING WATER SYSTEM



No.	Lev.	Parts No.	Description	Q'ty						I	R
				(A)	(B)	(C)	(D)	(E)	(F)		
1	1	129907-42002	PUMP ASSY, CW LOW	1							
11	1	129900-42020	GASKET, WATER PUMP	1							
12	1	26106-060302	BOLT, M6X 30 PLATED	2							
13	1	26106-080552	BOLT, M8X 55 PLATED	5							
14	1	25152-004200	V-BELT, A42	1							
15	1	129900-42450	V-PULLEY	1							
16	1	129953-44710	FAN, COOLING D=460	1							
17	1	119117-44760	SPACER, FAN	1							
18	1	26106-080802	BOLT, M8X 80 PLATED	4							
19	1	129907-49800	CASE ASSY,THERMOSTAT	1							
22	2	129916-49530	COVER, THERMOSTAT	1							
23	2	121850-49540	GASKET, THERMOSTAT	1							
24	2	121850-49550	GASKET, THERMOSTAT	1							
25	2	129907-49730	RETAINER, PIPE	1							
26	2	121850-49811	THERMOSTAT,71	1							
28	2	23875-030000	PLUG, R03	2							
29	2	26106-060122	BOLT, M6X 12 PLATED	1							
30	2	26106-060202	BOLT, M6X 20 PLATED	4							
31	1	129900-49870	GASKET	1							
32	1	23414-080000	GASKET, 8X1.0	1							
33	1	26106-080122	BOLT, M8X 12 PLATED	1							
34	1	26106-080602	BOLT, M8X 60 PLATED	3							
35	1	121450-42450	PLUG, M16	1							
36	1	121250-44901	SWITCH, 110	1							
37	1	124465-44950	GASKET, 16	1							
38	1	124465-44950	GASKET, 16	1							
39	1	129907-49610	HOSE ASSY, WATER	1							
40	2	129907-49710	PIPE ASSY, WATER	1							
41	2	129907-49750	TUBE, CORRUGATED	1							
42	2	124722-59050	CLIP, HOSE 9	2							
43	1	129907-49620	HOSE ASSY, WATER	1							
44	2	129907-49720	PIPE ASSY, WATER	1							
45	2	124722-59050	CLIP, HOSE 9	2							

Fig.13. FUEL INJECTION PUMP



(A)=4TNV98T-NWD
(B)=
(C)=

(D)=
(E)=
(F)=

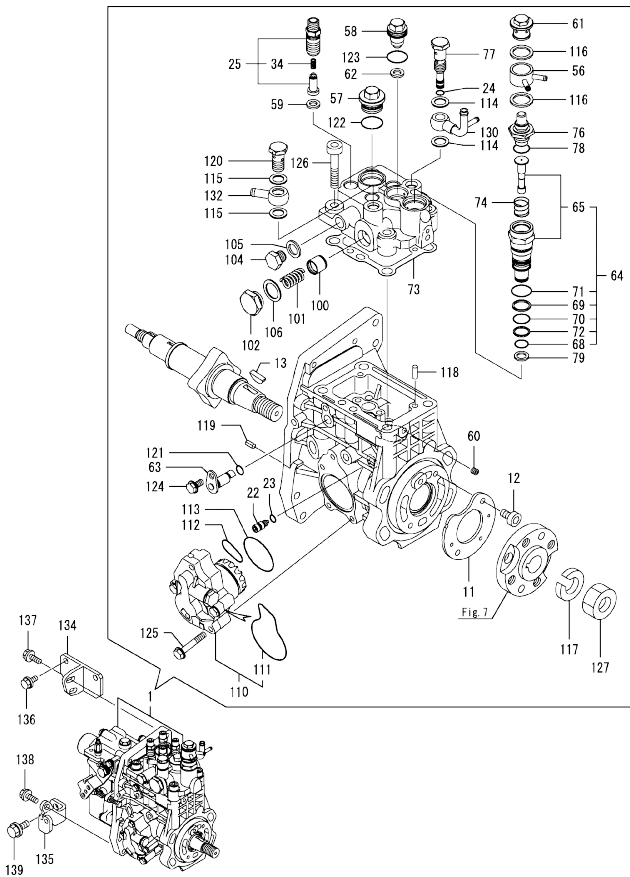
No.	Lev.	Parts No.	Description	Q'ty						I	R
				(A)	(B)	(C)	(D)	(E)	(F)		
1	1	729935-51310	PUMP ASSY, INJECTION	1							1
11	2	129928-51900	COVER	1							
12	2	129008-51920	BOLT, M6X10	2							
13	2	144626-51090	KEY, 5X19	1							
22	2	158600-51270	STOPPER, TAPPET	1							
23	2	158563-51281	O-RING, 4D S6	1							
24	2	158563-51281	O-RING, 4D S6	1							
25	2	129509-51390	VALVE ASSY, DELIVERY	4							
34	3	158563-51330	SPRING, DELIVERY	4							
56	2	158553-51551	JOINT	1							
57	2	158601-51550	PLUG	1							
58	2	129907-51560	PLUG, BARREL	1							
59	2	158552-51571	GASKET	4							
60	2	158557-51570	PLUG	1							
61	2	158601-51570	PLUG	1							
62	2	129906-51580	GASKET	1							
63	2	158552-51580	LIFTER	1							
64	2	119802-51590	TIMER SET	1							
65	3	119802-51600	TIMER ASSY	1							
68	3	158553-51670	O-RING, 1011	1							
69	3	119802-51680	RING, BACK UP	1							
70	3	119802-51690	O-RING	1							
71	3	24356-190200	O-RING, 4D19020	1							
72	3	24372-000150	RING, BACK UP T2P15	1							
73	2	158560-51600	GASKET	1							
74	2	158553-51630	SPRING, TIMER	1							
76	2	158553-51640	ELEMENT	1							
77	2	158601-51650	JOINT, OVER FLOW	1							
78	2	158553-51660	O-RING, P14	1							
79	2	158553-51680	GASKET	1							
100	2	158601-51770	PISTON	1							
101	2	158552-51781	SPRING	1							
102	2	158601-51790	PLUG	1							
104	2	158553-51930	PLUG, M12	1							
105	2	22190-120002	WASHER, SEAL 12	1							
106	2	22190-180002	WASHER, SEAL 18	1							
110	2	158552-52100	PUMP ASSY, FUEL FEED	1							
111	3	158552-52500	O-RING	1							
112	2	158552-52311	O-RING	1							
113	2	158552-52400	O-RING, 4E S42	1							
114	2	22190-120002	WASHER, SEAL 12	2							
115	2	22190-120002	WASHER, SEAL 12	2							
116	2	22190-180002	WASHER, SEAL 18	2							
117	2	22217-180000	WASHER, SPRING 18	1							
118	2	22312-050140	PIN, PARALLEL 5X14	2							
119	2	22351-050010	PIN, SPRING 5.0X10	2							
120	2	23857-060000	BOLT, JOINT 6	1							
121	2	24311-000070	O-RING, 1AP7.0	1							
122	2	24356-190200	O-RING, 4D19020	1							
123	2	24356-240210	O-RING, 4D24021	1							
124	2	26106-060102	BOLT, M6X 10 PLATED	1							

Remarks

(1)Governor(Fig.14) is incorporated in this Fuel Injection Pump(No.1).

N:Old $\frac{100}{100}$ New, Q:Old $\frac{100}{100}$ New, R:Old $\frac{100}{100}$ New, S:Old $\frac{100}{100}$ New, W:Add, Z:Discontinued, F:Interchangeable by set, K:Q'ty Change
 ++ CONTINUE ++
 Copyright (C) 2015 YANMAR CO., LTD. All Rights Reserved.

Fig.13. FUEL INJECTION PUMP



(A)=4TNV98T-NWD
(B)=
(C)=

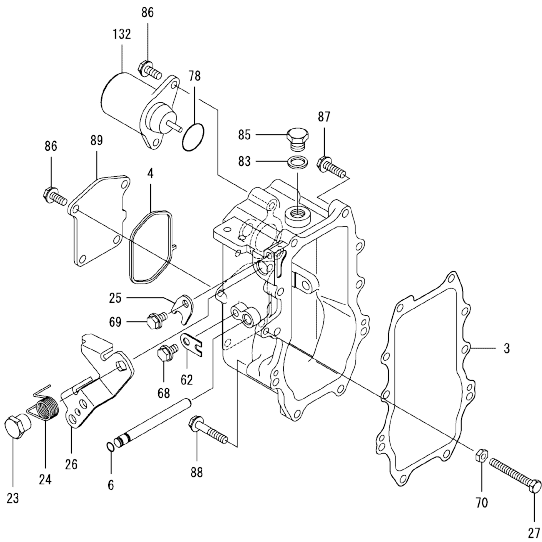
(D)=
(E)=
(F)=

No.	Lev.	Parts No.	Description	Q'ty						I	R
				(A)	(B)	(C)	(D)	(E)	(F)		
125	2	26106-060352	BOLT, M6X 35 PLATED	4							
126	2	26450-100452	BOLT, M10X 45	4							
127	2	26776-180002	NUT, LOCK M18	1							
130	2	158552-51670	JOINT, OVER FLOW	1							
132	2	129916-59020	JOINT, PIPE 12	1							
134	1	129907-01950	RETAINER	1							
135	1	129907-01960	RETAINER	1							
136	1	26106-080162	BOLT, M8X 16 PLATED	2							
137	1	26106-080222	BOLT, M8X 22 PLATED	2							
138	1	26106-080222	BOLT, M8X 22 PLATED	1							
139	1	26106-100202	BOLT, M10X 20 PLATED	1							

Remarks

(1)Governor(Fig.14) is incorporated in this Fuel Injection Pump(No.1).

Fig.14. GOVERNOR



(A)=4TNV98T-NWD
(B)=
(C)=

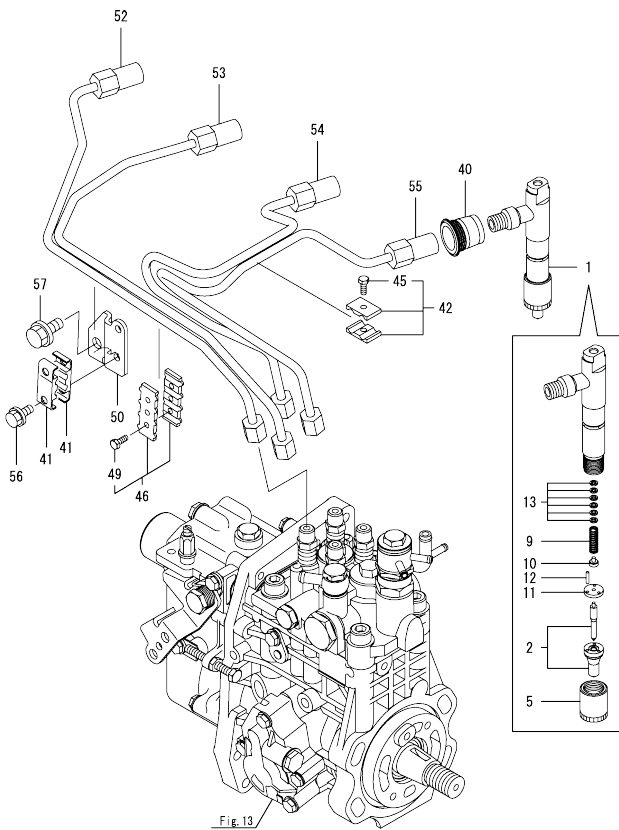
(D)=
(E)=
(F)=

No.	Lev.	Parts No.	Description	Q'ty						I	R
				(A)	(B)	(C)	(D)	(E)	(F)		
3	2	158560-61050	GASKET	1							
4	2	158560-61071	GASKET	1							
6	2	129155-51280	O-RING, S6	1							
23	2	129255-61410	NUT, LOCK	1							
24	2	119807-61420	SPRING, RETURN	1							
25	2	158560-61430	RETAINER, SHAFT	1							
26	2	158560-61442	LEVER, REGULATOR	1							
27	2	129155-61460	BOLT, IDLE	1							
62	2	119660-61901	RETAINER, SHAFT	1							
68	2	26106-060102	BOLT, M6X 10 PLATED	1							
69	2	26106-060102	BOLT, M6X 10 PLATED	1							
70	2	26756-060002	NUT, LOCK M6	1							
78	2	158552-61900	O-RING	1							
83	2	22190-160002	WASHER, SEAL 16	1							
85	2	23887-160002	PLUG, 16	1							
86	2	26106-060142	BOLT, M6X 14 PLATED	6							
87	2	26106-060252	BOLT, M6X 25 PLATED	8							
88	2	26106-060402	BOLT, M6X 40 PLATED	2							
89	2	158560-61061	COVER, GOVERNOR CASE	1							
132	2	119233-77932	SOLENOID, STOP	1							

Remarks

* This figure(Governor) is incorporated in the Fuel Injection Pump(Fig.13).

Fig.15. FUEL INJECTION VALVE

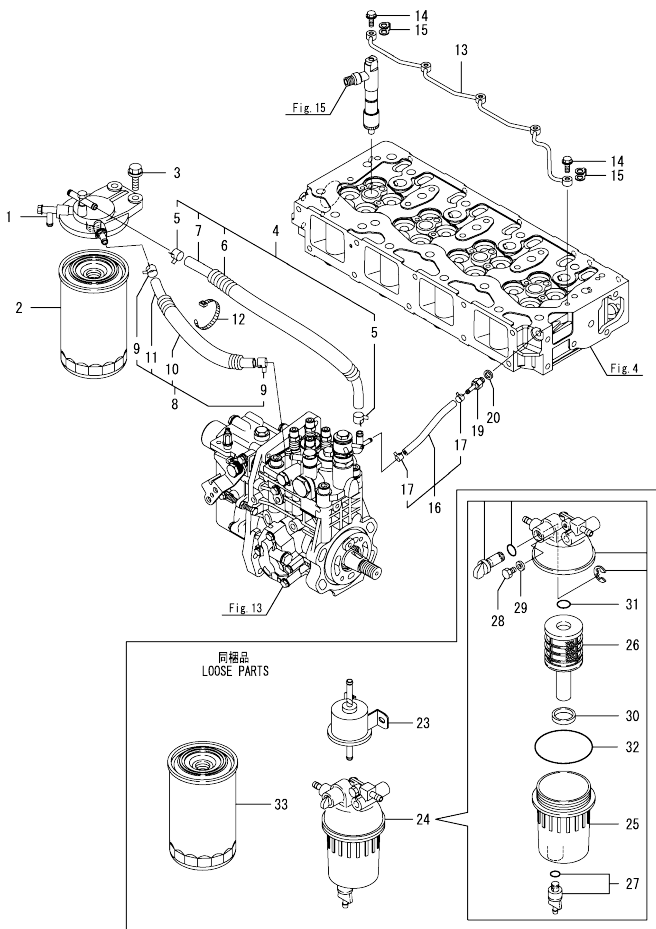


(A)=4TNV98T-NWD
(B)=
(C)=

(D)=
(E)=
(F)=

No.	Lev.	Parts No.	Description	Q'ty						I	R
				(A)	(B)	(C)	(D)	(E)	(F)		
1	1	729908-53100	VALVE ASSY,INJECTION	4							
2	2	129908-53000	VALVE ASSY,INJECTION	4							
5	2	114250-53080	NUT, NOZZLE D16.95	4							
9	2	114250-53120	SPRING, NOZZLE	4							
10	2	114250-53130	SEAT, SPRING	4							
11	2	114250-53140	PLATE	4							
12	2	114250-53210	PIN	8							
13	2	119803-53400	SHIM SET	4							
40	1	123907-11601	SEAL	4							
41	1	122780-59100	RETAINER	2							
42	1	119305-59120	RETAINER, PIPE	1							
45	2	129150-59131	BOLT, M4X14	1							
46	1	129550-59120	RETAINER, PIPE	1							
49	2	129150-59131	BOLT, M4X14	2							
50	1	129907-59710	SUPPORT	1							
52	1	129908-59810	PIPE ASSY, INJECTION	1							
53	1	129908-59820	PIPE ASSY, INJECTION	1							
54	1	129908-59830	PIPE ASSY, INJECTION	1							
55	1	129908-59840	PIPE ASSY, INJECTION	1							
56	1	26106-060162	BOLT, M6X 16 PLATED	2							
57	1	26106-080182	BOLT, M8X 18 PLATED	1							

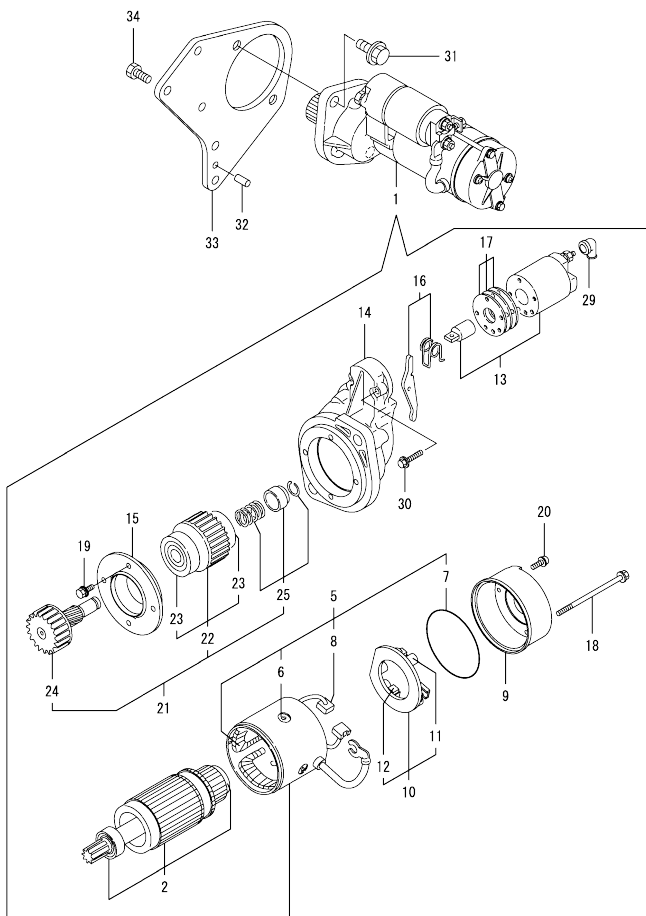
Fig.16. FUEL PIPE



No.	Lev.	Parts No.	Description	Q'ty						I	R
				(A)	(B)	(C)	(D)	(E)	(F)		
1	1	129004-55612	BRACKET, FILTER	1							
2	1	129907-55801	FILTER, FUEL	1							
3	1	26106-080302	BOLT, M8X 30 PLATED	2							
4	1	129457-59010	PIPE ASSY, FUEL	1							
5	2	124766-59050	CLIP, HOSE 11.5	2							
6	2	129957-59120	TUBE, CORRUGATED	1							
7	2	105025-59750	PIPE, FUEL	1							
8	1	129981-59010	PIPE ASSY, FUEL	1							
9	2	124766-59050	CLIP, HOSE 11.5	2							
10	2	129950-59221	TUBE, CORRUGATED	1							
11	2	129980-59510	PIPE, FUEL	1							
12	1	121750-59890	BAND, 140	1							
13	1	129907-59140	PIPE ASSY, RETURN	1							
14	1	123907-59540	BOLT, PIPE JOINT M6	5							
15	1	123907-59550	GASKET	5							
16	1	129486-59551	PIPE ASSY, RETURN	1							
17	2	124722-59050	CLIP, HOSE 9	2							
19	1	123907-59560	JOINT	1							
20	1	22190-080002	WASHER, SEAL 8	1							
23	1	129612-52100	PUMP ASSY, FUEL FEED	1							
24	1	129242-55701	SEPARATOR ASSY	1							
25	2	129242-55720	CUP	1							
26	2	129242-55730	ELEMENT	1							
27	2	129242-55740	PLUG, DRAIN	1							
28	2	129242-55750	VALVE, AIR VENT	1							
29	2	129242-55760	GASKET	1							
30	2	129242-55770	FLOAT	1							
31	2	24311-000160	O-RING, 1AP16.0	1							
32	2	24321-000750	O-RING, 1AG75.0	1							
33	1	129907-55801	FILTER, FUEL	1							

N:Old $\frac{New}{Old}$ New. Q:Old $\frac{New}{Old}$ New. R:Old $\frac{New}{Old}$ New. S:Old $\frac{New}{Old}$ New. W:Add. Z:Discontinued. F:Interchangeable by set. K:Qty Change
 Copyright (C) 2015 YANMAR CO., LTD. All Rights Reserved.

Fig.17. STARTER MOTOR



(A)=4TNV98T-NWD
(B)=
(C)=

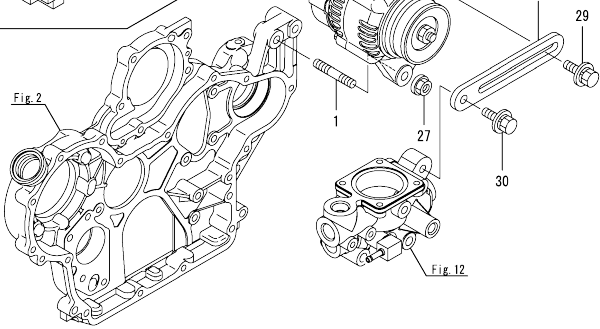
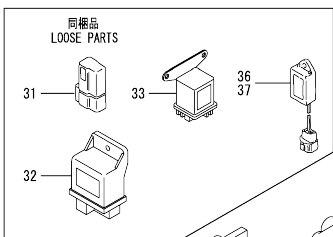
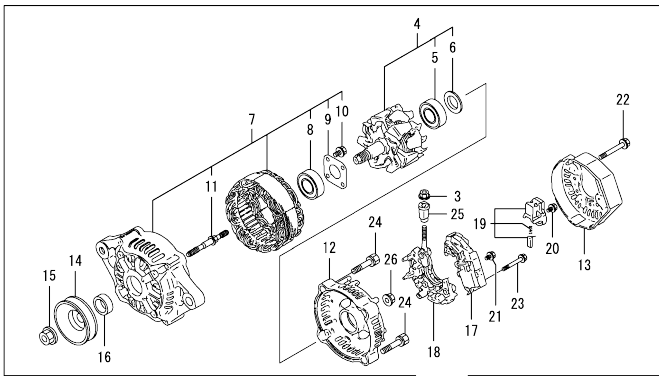
(D)=
(E)=
(F)=

No.	Lev.	Parts No.	Description	Q'ty						I	R
				(A)	(B)	(C)	(D)	(E)	(F)		
1	1	129940-77011	STARTER	1							
2	2	129940-77100	ARMATURE ASSY	1							
5	2	129940-77130	COIL ASSY, FIELD	1							
6	3	129940-77140	SCREW	4							
7	3	129940-77150	O-RING	1							
8	3	129940-77160	BRUSH	2							
9	2	129940-77171	COVER	1							
10	2	129940-77181	HOLDER ASSY, BRUSH	1							
11	3	129940-77190	SPRING	1							
12	3	129940-77200	BRUSH	2							
13	2	129940-77210	SWITCH ASSY	1							
14	2	129940-77221	CASE, GEAR	1							
15	2	129940-77230	RETAINER	1							
16	2	129940-77240	LEVER SET	1							
17	2	129940-77250	COVER ASSY, DUST	1							
18	2	129940-77260	BOLT, THROUGH	2							
19	2	129940-77270	BOLT	4							
20	2	129940-77280	SCREW	2							
21	2	123900-77510	PINION ASSY	1							
22	3	123900-77520	CLUTCH ASSY	1							
23	4	X2240610100	BEARING, BALL	2							
24	3	123900-77540	SHAFT	1							
25	3	119131-77550	STOPPER KIT	1							
29	2	121254-77810	COVER, TERMINAL	1							
30	2	114371-79070	BOLT	2							
31	1	26106-120252	BOLT, M12X 25 PLATED	2							
32	1	129100-01580	PIN, 8X16	1							
33	1	129960-77410	BRACKET, STARTER	1							
34	1	26206-100202	BOLT, M10X 20 PLATED	5							

(A)=4TNV98T-NWD
 (B)=
 (C)=

(D)=
 (E)=
 (F)=

No.	Lev.	Parts No.	Description	Q'ty						I	R
				(A)	(B)	(C)	(D)	(E)	(F)		
1	1	129795-01900	STUD	1							
2	1	119626-77210	ALTERNATOR, 12V-55A	1							
3	2	X9490561001	NUT	1							
4	2	129052-77380	ROTOR ASSY	1							
5	3	123501-79240	BEARING, BALL	1							
6	3	119620-79250	COVER	1							
7	2	129052-77422	FRAME ASSY	1							
8	3	119620-79200	BEARING, BALL	1							
9	3	119620-79210	PLATE, RETAINER	1							
10	3	119620-79220	SCREW	4							
11	3	119620-79230	STUD	2							
12	2	128401-77440	FRAME	1							
13	2	119626-77450	COVER	1							
14	2	119620-77461	PULLEY	1							
15	2	119620-77471	NUT	1							
16	2	119620-77490	COLLAR	1							
17	2	119626-77710	REGULATOR ASSY	1							
18	2	129052-79260	HOLDER	1							
19	2	129052-79270	HOLDER, BRUSH	1							
20	2	119620-79290	SCREW	6							
21	2	119620-79300	SCREW	1							
22	2	119620-79310	BOLT	3							
23	2	119620-79320	SCREW	2							
24	2	119620-79330	BOLT	2							
25	2	119620-79340	BUSH, INSULATION	1							
26	2	119620-79350	NUT	2							
27	1	26306-100002	NUT, M10	1							
28	1	129900-77330	ADJUSTER	1							
29	1	119810-77340	BOLT, ADJUSTER	1							
30	1	26014-080252	BOLT, M8X 25	1							
31	1	119643-66900	DIODE	1							
32	1	119802-77200	RELAY, SAFETY	1							
33	1	119650-77911	RELAY ASSY, GLOW	1							
36	1	128300-77920	TIMER	1							
37	1	129211-77920	TIMER	1							



Parts No. Index

Parts No.	Fig. No.	Ref. No.
105010-39140	11	7
		22
105025-59750	16	7
114250-39450	11	1
114250-53080	15	5
114250-53120	15	9
114250-53130	15	10
114250-53140	15	11
114250-53210	15	12
114371-79070	17	30
119000-39650	11	36
119005-35151	10	25
		26
119005-77051	5	10
119006-03090	4	63
119100-11330	4	56
119117-44760	12	17
119129-77020	5	8
119131-77550	17	25
119233-77932	14	132
119305-59120	15	42
119540-39950	3	2
119540-39960	3	4
119593-11301	4	29
119620-11180	4	14
119620-77461	18	14
119620-77471	18	15
119620-77490	18	16
119620-79200	18	8
119620-79210	18	9
119620-79220	18	10
119620-79230	18	11
119620-79250	18	6
119620-79290	18	20
119620-79300	18	21
119620-79310	18	22
119620-79320	18	23
119620-79330	18	24
119620-79340	18	25
119620-79350	18	26
119625-11880	4	25
119626-77210	18	2
119626-77450	18	13
119626-77710	18	17
119643-66900	18	31
119650-77911	18	33
119656-39931	3	3
119660-61901	14	62
119802-11870	4	24
119802-51590	13	64

Parts No.	Fig. No.	Ref. No.
119802-51600	13	65
119802-51680	13	69
119802-51690	13	70
119802-77200	18	32
119803-11340	4	15
119803-53400	15	13
119807-61420	14	24
119810-77340	18	29
120130-22301	9	23
121023-01551	2	30
121023-26071	2	27
121250-44901	12	36
121252-39150	11	8
121254-77810	17	29
121450-42450	12	35
121750-59890	16	12
121850-21130	9	11
121850-21290	9	4
121850-21920	9	5
121850-49540	12	23
121850-49550	12	24
121850-49811	12	26
121850-77021	5	9
122780-59100	15	41
123501-79240	18	5
123900-25060	7	9
123900-77510	17	21
123900-77520	17	22
123900-77540	17	24
123901-03240	4	67
123901-03280	4	74
123901-18080	6	5
123901-39820	11	27
123907-11280	4	34
123907-11550	4	1
123907-11601	15	40
123907-11820	4	21
123907-11830	4	20
123907-39500	11	14
123907-59540	16	14
123907-59550	16	15
123907-59560	16	19
123910-49600	10	8
123910-49610	10	10
123912-33050	10	2
123912-33100	10	3
123951-18220	5	5
124070-13300	11	24
124160-01751	2	25
	4	49

Parts No.	Fig. No.	Ref. No.
124160-11340	4	16
124160-11360	4	58
124223-39900	11	4
124465-44950	12	37
		38
124722-59050	12	42
		45
	16	17
124766-59050	16	5
		9
124976-34850	1	30
128300-77920	18	36
128401-77440	18	12
129004-55612	16	1
129005-59830	11	16
129006-44480	10	5
129008-51920	13	12
129052-77380	18	4
129052-77422	18	7
129052-79260	18	18
129052-79270	18	19
129100-01580	2	4
	3	8
	17	32
129150-02450	7	4
129150-03100	4	65
129150-11230	4	37
		41
129150-11750	4	19
		38
		42
129150-14200	7	1
129150-25920	7	18
129150-59131	15	45
		49
129155-51280	14	6
129155-61460	14	27
129211-77920	18	37
129242-55701	16	24
129242-55720	16	25
129242-55730	16	26
129242-55740	16	27
129242-55750	16	28
129242-55760	16	29
129242-55770	16	30
129255-61410	14	23
129410-03990	4	75
129418-18320	6	4
129457-59010	16	4
129466-49300	10	7

Parts No.	Fig. No.	Ref. No.
129472-18090	8	2
129486-01670	3	12
129486-59551	16	16
129509-51390	13	25
129550-59120	15	46
129612-52100	16	23
129795-01900	18	1
129900-01200	1	27
129900-01250	1	4
129900-02020	1	6
129900-02341	1	34
129900-02410	1	9
129900-02931	1	24
129900-02941	1	37
129900-13251	6	2
129900-14100	7	6
129900-21200	9	3
129900-21600	9	14
129900-23001	9	25
129900-23200	9	28
129900-23601	9	29
129900-23611	9	32
129900-23911	9	31
129900-25100	7	10
129900-26000	7	16
129900-26250	2	10
129900-32030	2	11
	10	16
129900-32040	2	12
129900-42020	12	11
129900-42450	12	15
129900-49870	12	31
129900-77330	18	28
129906-51580	13	62
129907-01190	1	29
129907-01331	1	28
129907-01950	13	134
129907-01960	13	135
129907-03011	4	51
129907-03061	4	52
129907-03070	4	53
129907-07900	4	61
129907-11100	4	11
129907-11110	4	12
129907-11120	4	13
129907-11250	4	31
129907-11260	4	32
129907-11270	4	33
129907-11341	4	30
129907-11510	4	17

Parts No. Index

Parts No.	Fig. No.	Ref. No.
129907-11650	4	35
129907-11660	4	39
129907-11800	4	80
129907-11910	4	26
129907-11920	4	43
129907-11950	4	27
129907-12100	5	1
129907-12110	5	2
129907-14400	7	2
129907-21650	9	8
129907-22051	9	17
129907-25900	7	15
129907-39061	11	12
129907-42002	12	1
129907-49610	12	39
129907-49620	12	43
129907-49710	12	40
129907-49720	12	44
129907-49730	12	25
129907-49750	12	41
129907-49800	12	19
129907-51560	13	58
129907-55801	16	2
		33
129907-59140	16	13
129907-59710	15	50
129908-03099	4	64
129908-03230	4	66
129908-03240	4	68
129908-03250	4	69
129908-11700	4	2
129908-13100	6	1
129908-14581	7	3
129908-18010	8	1
129908-18350	5	7
129908-21000	9	1
129908-22080	9	15
129908-32060	2	8
129908-33010	10	1
129908-33101	10	4
129908-39070	11	2
129908-39410	11	30
129908-39610	11	25
129908-39690	11	26
129908-49060	10	6
129908-53000	15	2
129908-59810	15	52
129908-59820	15	53
129908-59830	15	54
129908-59840	15	55

Parts No.	Fig. No.	Ref. No.
129916-01790	3	11
129916-01800	2	3
129916-21610	9	7
129916-49530	12	22
129916-59020	13	132
129927-42140	2	13
129928-51900	13	11
129930-35000	10	17
129930-39050	11	21
129933-01500	2	7
129933-11310	4	55
129933-11320	4	50
129935-03260	4	71
129935-03270	4	72
129940-77011	17	1
129940-77100	17	2
129940-77130	17	5
129940-77140	17	6
129940-77150	17	7
129940-77160	17	8
129940-77171	17	9
129940-77181	17	10
129940-77190	17	11
129940-77200	17	12
129940-77210	17	13
129940-77221	17	14
129940-77230	17	15
129940-77240	17	16
129940-77250	17	17
129940-77260	17	18
129940-77270	17	19
129940-77280	17	20
129950-59221	16	10
129951-01740	2	5
129953-25300	7	14
129953-44710	12	16
129957-59120	16	6
129960-03990	4	76
129960-21590	9	12
129960-21930	9	9
129960-21940	9	10
129960-77410	17	33
129966-01650	3	9
129974-01740	3	1
129974-34810	10	14
129980-59510	16	11
129981-59010	16	8
129E00-13640	6	3
144626-51090	13	13
158552-51571	13	59

Parts No.	Fig. No.	Ref. No.
158552-51580	13	63
158552-51670	13	130
158552-51781	13	101
158552-52100	13	110
158552-52311	13	112
158552-52400	13	113
158552-52500	13	111
158552-61900	14	78
158553-51551	13	56
158553-51630	13	74
158553-51640	13	76
158553-51660	13	78
158553-51670	13	68
158553-51680	13	79
158553-51930	13	104
158557-51570	13	60
158560-51600	13	73
158560-61050	14	3
158560-61061	14	89
158560-61071	14	4
158560-61430	14	25
158560-61442	14	26
158563-51150	7	19
158563-51281	13	23
		24
158563-51330	13	34
158600-51270	13	22
158601-51550	13	57
158601-51570	13	61
158601-51650	13	77
158601-51770	13	100
158601-51790	13	102
171051-01921	1	5
171056-49120	10	13
22190-080002	11	9
		17
		19
		23
	16	20
22190-120002	13	105
		114
		115
22190-160002	14	83
22190-180002	13	106
		116
22217-180000	13	117
22252-000300	9	24
22312-050140	13	118
22351-030010	11	37
22351-050010	13	119

Parts No.	Fig. No.	Ref. No.
22351-060012	1	10
22512-070140	7	7
	9	6
22857-500100	4	57
23000-022000	4	77
23000-025000	10	11
	11	28
23000-054000	5	6
23001-022000	3	5
		6
23414-080000	12	32
23414-100000	11	10
23857-030000	11	18
23857-060000	13	120
23875-030000	12	28
23876-020000	4	8
23876-030000	1	11
		12
		13
	4	9
23887-160002	14	85
24311-000070	2	14
	13	121
24311-000120	4	28
		59
24311-000160	16	31
24311-000320	2	26
	4	60
24321-000600	10	12
24321-000750	16	32
24321-000850	2	28
24341-000240	2	31
24351-030750	2	15
24356-190200	13	71
		122
24356-240210	13	123
24372-000150	13	72
25152-004200	12	14
26014-080252	18	30
26106-060102	13	124
	14	68
		69
26106-060122	12	29
26106-060142	14	86
26106-060162	2	32
	11	29
	15	56
26106-060202	12	30
26106-060252	14	87
26106-060302	12	12

Parts No. Index

Parts No.	Fig. No.	Ref. No.
26106-060352	13	125
26106-060402	14	88
26106-080122	3	7
	4	78
	10	22
		23
	11	11
		20
	12	33
26106-080142	4	79
	7	8
26106-080162	2	16
	4	62
	13	136
26106-080182	15	57
26106-080202	2	17
		18
26106-080222	13	137
		138
26106-080302	16	3
26106-080402	2	19
	4	45
26106-080452	2	20
		21
26106-080552	5	3
	7	13
	12	13
26106-080602	4	46
		47
	12	34
26106-080702	2	22
	5	11
26106-080752	2	23
26106-080802	12	18
26106-080852	5	4
26106-081202	5	12
26106-100202	2	29
	13	139
26106-120252	17	31
26116-050102	4	70
26206-100202	17	34
26216-100302	2	9
26226-080222	4	44
26306-080002	4	48
	8	3
26306-100002	2	24
	18	27
26450-100452	13	126
26756-060002	14	70
26776-180002	13	127

Parts No.	Fig. No.	Ref. No.
27241-300000	1	14
27241-400000	4	10
27310-070001	4	22
729900-02801	1	31
729907-01590	2	1
729907-22950	9	36
729908-01560	1	1
729908-22900	9	34
729908-53100	15	1
729935-51310	13	1
X2240610100	17	23
X9490561001	18	3

Parts No.	Fig. No.	Ref. No.
-----------	----------	----------

Parts No.	Fig. No.	Ref. No.
-----------	----------	----------