

0CW10-M42700EN

P R E F A C E

1. This Parts Catalog carries all parts incorporated in YANMAR Model 4TNV98T-NSA01 engine manufactured since August, 2008.
2. Each illustration corresponds to the parts list on the following page.
3. When ordering parts, clearly write down the engine model and serial number, as well as the name and number of each part in your order sheet. This will help insure reliable delivery of the parts you have ordered.

Directions for the Parts Catalog.

- 1.The parts stipulated in this Parts Catalog are not necessarily standard equipped parts.
- 2.Parts may change without prior notice.
- 3.The following is an example of the Parts Catalog format.

REF.	LEV.	PARTS NO.	DESCRIPTION	Q'TY						I	R
				(A)	(B)	(C)	(D)	(E)	(F)		
1	1	729595-51390	FUEL INJECTION PUMP	1	1	1	1	1			1
1-1	1	729595-51391	FUEL INJECTION PUMP	1	1	1	1	1		N	1
		(A=E00185) (B=E00200)									
3	2	26022-060162	SCREW M 6X 16	9	9	9	9	9			
3-1	2	26022-060162	SCREW M 6X 16	4	4	4	4	4		K	
		(A=E00156) (B=E00156) (C=E00156) (D=E00156) (E=E00156)									
4	2	129470-51040	CAMSHAFT	1	1	1	1	1			
5	2	122710-51050	BEARING, ROLLER	2	2	2	2	2			
6	2	129470-51060	RETAINER	1	1	1	1	1			

Remarks
(1) BOOST COMPEMSATOR TYPE. OPTIONAL PART, TO E00155,(4JH-DT, 4JH-DTZ

① Ref. No.

The Ref. No. listed may not be in accordance with the illustration Ref. No.

(Ex.) Illustration No.

List Ref No.

1 1 (Before change) → 1-1 (After change)

For interchangeable symbols N, R and K, illustrations for new parts may be abbreviated.

② Lev. (Level)

Level indication

The numbers below indicate the level of relativity towards the main part.

1 ---- Main parts (Assembly parts)

2 ---- Sub component included in " 1 ".

3 ---- Sub component included in " 2 ".

Note) Parts that are not for sale are partially illustrated but not listed.

③ Interchangeability Mark

When a part change takes place, one of the following interchangeability symbols is indicated beside the part.

Symbol	Interchangeability	Contents note
N	Old $\begin{matrix} \leftarrow \text{Yes} \\ \text{No} \rightarrow \end{matrix}$ New	New Part is interchangeable for Old Part but Old Part is not interchangeable for New Part.
Q	Old $\begin{matrix} \leftarrow \text{No} \\ \text{Yes} \rightarrow \end{matrix}$ New	New Part is not interchangeable for Old Part but Old Part is interchangeable for New Part.
R	Old $\begin{matrix} \leftarrow \text{Yes} \\ \text{Yes} \rightarrow \end{matrix}$ New	New/ Old Parts are both interchangeable.
S	Old $\begin{matrix} \leftarrow \text{No} \\ \text{No} \rightarrow \end{matrix}$ New	New/ Old Parts are both not interchangeable.
W		Part newly added.
Z		Part discontinued.
F		Not interchangeable by a single part but interchangeable together with related parts.
K		Changes only for used parts quantities.

④ Effective Machine No.

When a part changes, the effective Machine No. will be indicated in the (A)-(F) column.

Product Symbol	Product No.	Product Symbol	Product No.
C	Clutch No. Compressor No.	F	Machine No. (Agricultural Equip.)
D	Drive No.	M	Machine No.
E	Engine No.		

Note 1) A date may follow the symbol. (Ex.) 1996.01

Note 2) "XXXXX" and "ZZZZZ" are for parts that could not be predicted or for engine models that could not be identified.

Note 3) (A=E00185) is the E (Engine Serial Number) for the column (A) model (in this case 4JH-DT) after the parts design change.

⑤ Remarks Mark

Figures or alphabets (symbols) are entered in the remarks column.

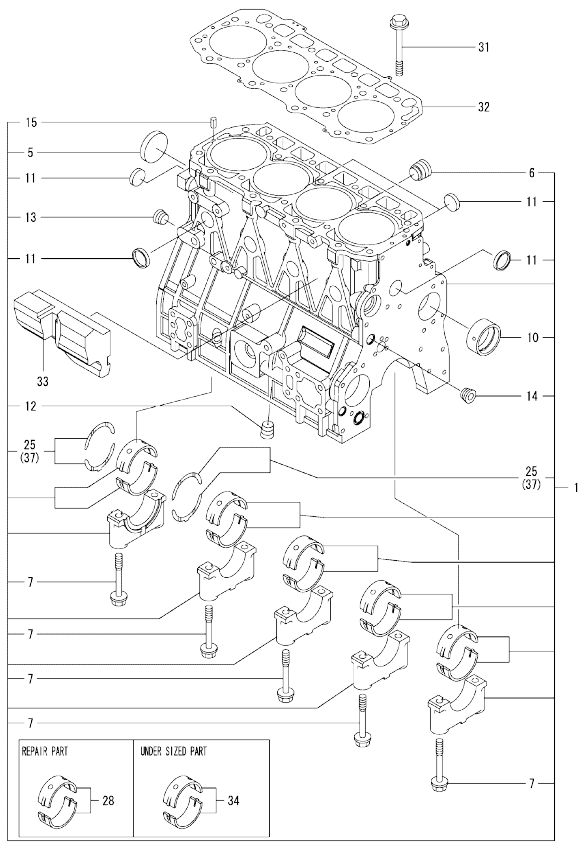
The comments (remarks) on parts that are indicated at the bottom of the illustration are the same symbols as those stated above.

Contents

0CW10-M42700

Fig. No.	Fig. Name	Fig. No.	Fig. Name
ENGINE SECTION (4TNV98T-NSA01)			
1.	CYLINDER BLOCK		
2.	GEAR HOUSING		
3.	FLYWHEEL HOUSING & OIL SUMP		
4.	CYLINDER HEAD & BONNET		
5.	SUCTION MANIFOLD & AIR CLEANER		
6.	EXHAUST MANIFOLD		
7.	CAMSHAFT & DRIVING GEAR		
8.	TURBINE		
9.	CRANKSHAFT & PISTON		
10.	LUB.OIL SYSTEM		
11.	LUB.OIL LINE		
12.	COOLING WATER SYSTEM		
13.	RADIATOR		
14.	FUEL INJECTION PUMP		
15.	GOVERNOR		
16.	FUEL INJECTION VALVE		
17.	FUEL LINE		
18.	STARTING MOTOR		
22.	(18A)STARTING MOTOR		
19.	GENERATOR		
20.	ELECTRIC PARTS		
23.	(20A)ACCESSORY		
21.	GASKET SET & TOOLS		

Fig.1. CYLINDER BLOCK



(A)=4TNV98T-NSA01
(B)=
(C)=

(D)=
(E)=
(F)=

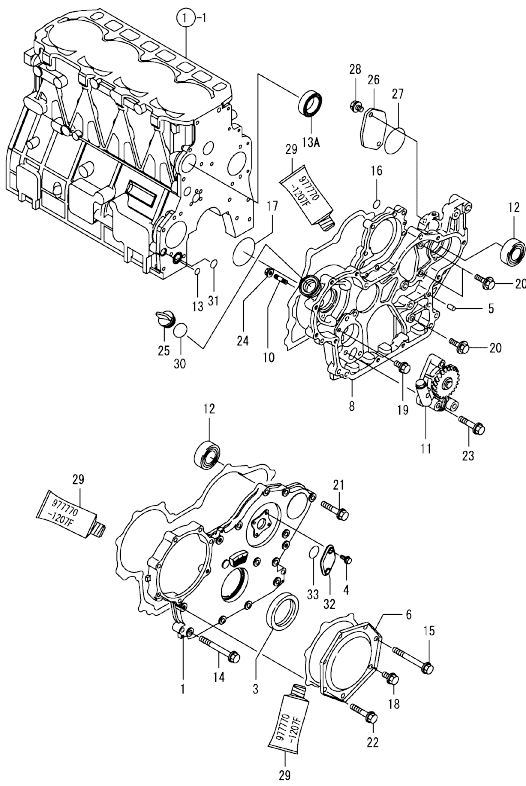
No.	Lev.	Parts No.	Description	Q'ty						I	R
				(A)	(B)	(C)	(D)	(E)	(F)		
1	1	729908-01560	BLOCK ASSY, CYLINDER	1							
5	3	129900-01250	PLUG, DISH TYPE 55	1							
6	3	171051-01921	PLUG, NPTF1	1							
7	3	129900-02020	BOLT, METAL CAP	10							
10	3	129900-02410	BUSH, CAMSHAFT	1							
11	3	27241-300000	PLUG 30	8							
12	2	23876-030000	PLUG, R03	1							
13	2	23876-030000	PLUG, R03	1							
14	2	23876-030000	PLUG, R03	1							
15	2	22351-060012	PIN, SPRING 6.0X12	2							
25	2	129900-02931	BEARING ASSY, THRUST	2							
28	1	729900-02801	BEARING, MAIN	5							3
31	1	129900-01200	BOLT, CYLINDER HEAD	18							
32	1	129907-01331	GASKET, HEAD	1							
33	1	129907-01190	SPACER	1							
34	1	129900-02341	BEARING ASSY, MAIN	5							1
37	1	129900-02941	BEARING, THRUST 0.25	2							2

Remarks
(1) UNDER-SIZED (U.S.=0.25) PART.
(2) OVER-SIZED (O.S.=0.25) PART.
(3) REPAIR PART.

Fig.2. GEAR HOUSING

(A)=4TNV98T-NSA01
(B)=
(C)=

(D)=
(E)=
(F)=



No.	Lev.	Parts No.	Description	Qty						I	R	
				(A)	(B)	(C)	(D)	(E)	(F)			
1	1	129907-01579	COVER, GEAR CASE	1								
3	1	129916-01800	SEAL, OIL	1								
4	1	26106-060162	BOLT, M6X 16 PLATED	2								
5	1	129100-01580	PIN, PARALLEL 8X16	4								
6	1	129900-01740	COVER	1								
8	1	129933-01500	CASE, GEAR	1								
10	1	26216-100302	STUD, M10X 30	4								
11	1	129908-32060	PUMP ASSY, OIL	1								
12	1	129900-26250	BEARING, BALL 6206C3	2								
13	1	129900-32040	O-RING, P14	1								
13A	1	129927-42140	GASKET, PUMP OUTLET	1								W
(A=EU1909)												
14	1	129001-91810	BOLT, M8X70	6								
15	1	129001-91810	BOLT, M8X70	1								
16	1	24311-000070	O-RING, 1AP7.0	1								
17	1	24351-030750	O-RING, 1A3075	1								
18	1	26106-080162	BOLT, M8X 16 PLATED	1								
19	1	26106-080162	BOLT, M8X 16 PLATED	1								
20	1	26106-080202	BOLT, M8X 20 PLATED	3								
21	1	26106-080402	BOLT, M8X 40 PLATED	5								
22	1	26106-080402	BOLT, M8X 40 PLATED	5								
23	1	26106-080452	BOLT, M8X 45 PLATED	3								
24	1	26306-100002	NUT, M10	4								
25	1	124160-01751	CAP, FILLER	1								
26	1	121023-26070	COVER, PUMP	1								
27	1	24321-000850	O-RING, 1AG85.0	1								
28	1	26106-100202	BOLT, M10X 20 PLATED	2								
29	1	977770-1207F	GASKET, LIQUID	1								1
30	1	24311-000320	O-RING, 1AP32.0	1								
31	1	129900-32030	O-RING, P20	1								
32	1	121023-01551	COVER	1								
33	1	24341-000240	O-RING, 1AS24.0	1								

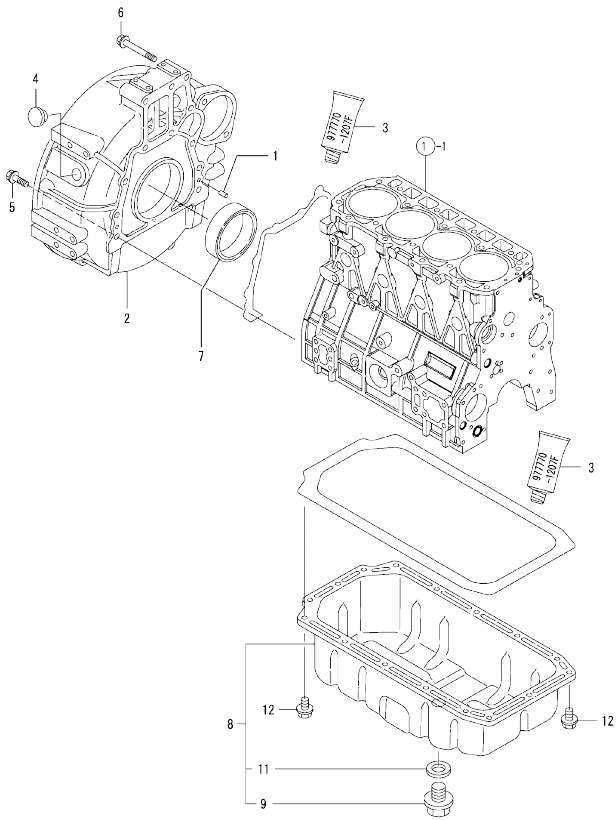
Remarks
(1)OPTIONAL PART.

Fig.3. FLYWHEEL HOUSING & OIL SUMP

(A)=4TNV98T-NSA01
(B)=
(C)=

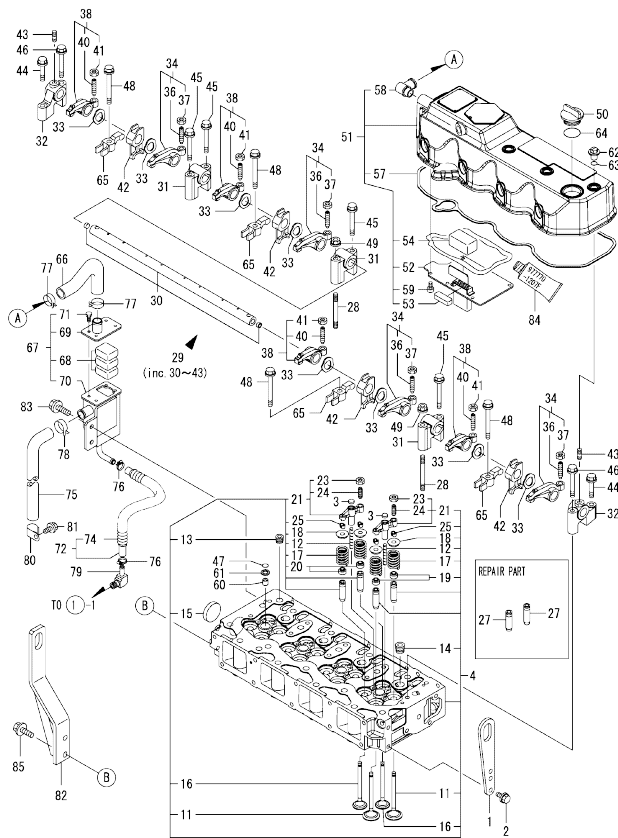
(D)=
(E)=
(F)=

No.	Lev.	Parts No.	Description	Q'ty						I	R
				(A)	(B)	(C)	(D)	(E)	(F)		
1	1	129100-01580	PIN, PARALLEL 8X16	2							
2	1	129955-01600	HOUSING, FLYWHEEL	1							1
3	1	977770-1207F	GASKET,LIQUID	1							
4	1	119620-01750	CAP	1							
5	1	26206-100352	BOLT, M10X 35 PLATED	9							
6	1	26206-100702	BOLT, M10X 70 PLATED	3							
7	1	124411-01780	SEAL, HTC95X115X12	1							
8	1	129916-01710	OIL PAN ASSY	1							
9	2	119640-01640	PLUG, DRAIN M22	1							
11	2	22190-220002	WASHER, SEAL 22	1							
12	1	26106-080122	BOLT, M8X 12 PLATED	16							



Remarks
(1)OPTIONAL PART.

Fig.4. CYLINDER HEAD & BONNET



(A)=4TNV98T-NSA01
(B)=
(C)=

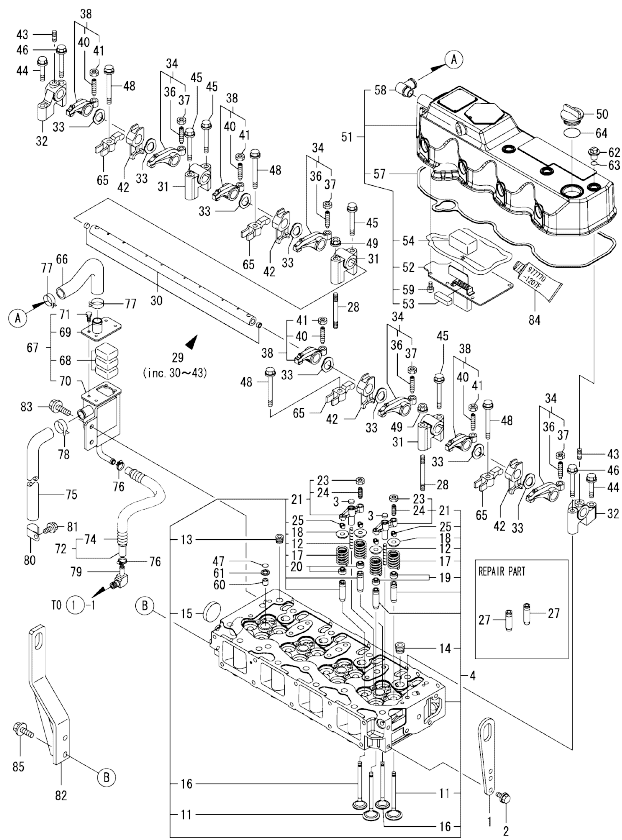
(D)=
(E)=
(F)=

No.	Lev.	Parts No.	Description	Q'ty						I	R
				(A)	(B)	(C)	(D)	(E)	(F)		
1	1	129900-07900	LIFTER, ENGINE	1							
2	1	26106-080162	BOLT, M8X 16 PLATED	2							
3	1	123907-11550	SEAT, VALVE BRIDGE	8							
4	1	129908-11700	HEAD ASSY, CYLINDER	1							
11	2	129907-11100	VALVE, SUCTION	8							
12	2	123907-11820	GUIDE, BRIDGE	8							
13	2	23876-020000	PLUG, R02	1							
14	2	23876-030000	PLUG, R03	4							
15	2	27241-400000	PLUG, 40	1							
16	2	129907-11110	VALVE, EXHAUST	8							
17	2	129907-11120	SPRING, VALVE	16							
18	2	119620-11180	RETAINER, SPRING	16							
19	2	124160-11340	SEAL, VALVE STEM	8							
20	2	119803-11340	SEAL, VALVE STEM	8							
21	2	129907-11510	BRIDGE ASSY, VALVE	8							
23	3	129150-11750	NUT, M8	8							
24	3	123907-11830	ADJUSTER	8							
25	2	27310-070001	COTTER, 7	16							
27	1	129907-11800	GUIDE, VALVE	16							1
28	1	119593-11301	BOLT, STUD M8X80	2							
29	1	129907-11341	SHAFT ASSY, ROCKER	1							
30	2	129907-11250	SHAFT, ROCKER ARM	1							
31	2	129907-11260	SUPPORT, ROCKER ARM	3							
32	2	129907-11270	SUPPORT, ROCKER ARM	2							
33	2	123907-11280	WASHER	8							
34	2	129907-11650	ARM ASSY, ROCKER	4							
36	3	129150-11230	SCREW, VALVE ADJUST	4							
37	3	129150-11750	NUT, M8	4							
38	2	129907-11660	ARM ASSY, ROCKER	4							
40	3	129150-11230	SCREW, VALVE ADJUST	4							
41	3	129150-11750	NUT, M8	4							
42	2	129907-11920	RETAINER, NOZZLE	4							
43	2	26226-080222	STUD, M8X 22	2							
44	1	26106-080402	BOLT, M8X 40 PLATED	2							
45	1	26106-080602	BOLT, M8X 60 PLATED	4							
46	1	26106-080602	BOLT, M8X 60 PLATED	2							
47	1	24311-000120	O-RING, 1AP12.0	4							
48	1	129907-11950	BOLT, M8X75	4							
49	1	26306-080002	NUT, M8	2							
50	1	124160-01751	CAP, FILLER	1							
51	1	129933-11320	BONNET ASSY, HEAD	1							
52	2	129907-03011	PLATE, BAFFLE	1							
53	2	129907-03061	BAFFLE, BREATHER	1							
54	2	129907-03070	BAFFLE, BREATHER	1							
57	2	129933-11310	GASKET, BONNET	1							
58	2	119100-11330	ELBOW, BREATHER	1							
59	2	22857-500100	SCREW, 5X10	6							
60	1	119802-11870	PROTECTOR, NOZZLE	4							
61	1	119625-11880	SEAT, NOZZLE	4							
62	1	124160-11360	KNOB	4							
63	1	24311-000120	O-RING, 1AP12.0	4							

Remarks
(1)REPAIR PART.
(2)OPTIONAL PART.

N:Old $\frac{100}{100}$ New, Q:Old $\frac{100}{100}$ New, R:Old $\frac{100}{100}$ New, S:Old $\frac{100}{100}$ New, W:Add, Z:Discontinued, F:Interchangeable by set, K:Q'ty Change
++ CONTINUE ++
Copyright (C) YANMAR GLOBAL CS CO., LTD. All Rights Reserved.

Fig.4. CYLINDER HEAD & BONNET



(A)=4TNV98T-NSA01
(B)=
(C)=

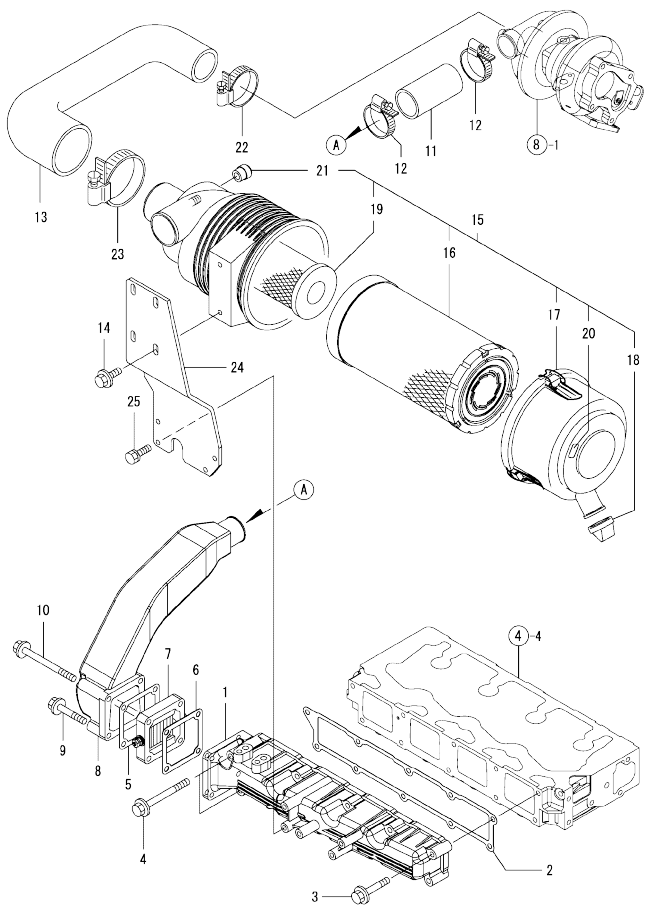
(D)=
(E)=
(F)=

No.	Lev.	Parts No.	Description	Qty						I	R
				(A)	(B)	(C)	(D)	(E)	(F)		
64	1	24311-000320	O-RING, 1AP32.0	1							
65	1	129907-11910	RETAINER, NOZZLE	4							
66	1	129908-03099	HOSE, BREATHER	1							
67	1	129908-03230	BREATHER ASSY	1							
68	2	123901-03240	FILTER	3							
69	2	129908-03240	COVER, BREATHER	1							
70	2	129908-03250	BREATHER	1							
71	2	26116-050102	BOLT, M5X 10 PLATED	4							
72	1	129935-03260	HOSE ASSY RETURN	1							
74	2	129935-03270	TUBE, CORRUGATED	1							
75	1	119006-03090	HOSE, BREATHER	1							
76	1	23000-022000	CLAMP, 22	2							
77	1	129410-03990	CLAMP, HOSE 21.5	2							
78	1	129960-03990	CLAMP, HOSE 19.8	1							
79	1	123901-03280	ELBOW, PT3/8-10	1							
80	1	129150-03100	RETAINER, PIPE	1							
81	1	26106-080122	BOLT, M8X 12 PLATED	1							
82	1	129937-07900	LIFTER	1							
83	1	26106-080142	BOLT, M8X 14 PLATED	2							
84	1	977770-1207F	GASKET, LIQUID	1							2
85	1	26106-080222	BOLT, M8X 22 PLATED	2							

Remarks

- (1)REPAIR PART.
- (2)OPTIONAL PART.

Fig.5. SUCTION MANIFOLD & AIR CLEANER

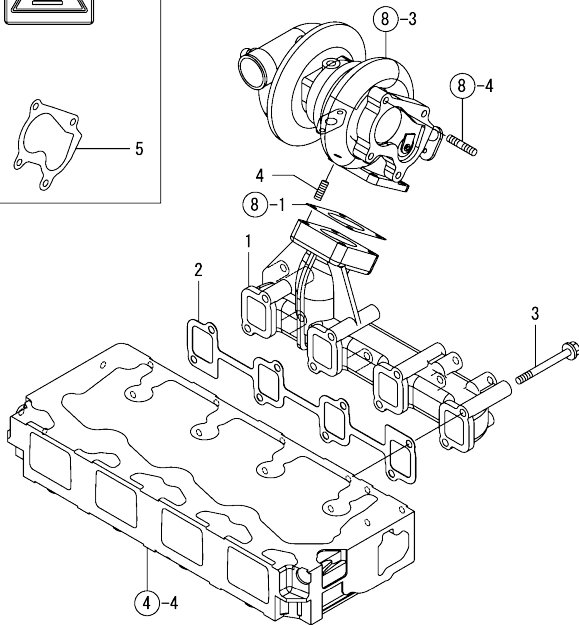
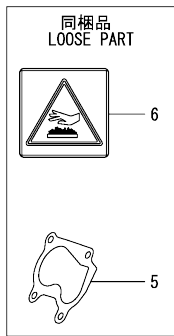


(A)=4TNV98T-NSA01
(B)=
(C)=

(D)=
(E)=
(F)=

No.	Lev.	Parts No.	Description	Q'ty						I	R
				(A)	(B)	(C)	(D)	(E)	(F)		
1	1	129944-12110	MANIFOLD, AIR INTAKE	1							
2	1	129907-12110	GASKET, MANIFOLD	1							
3	1	26106-080452	BOLT, M8X 45 PLATED	8							
4	1	26106-080802	BOLT, M8X 80 PLATED	2							
5	1	119129-77020	GASKET	1							
6	1	121850-77021	GASKET, AIR HEATER	1							
7	1	119005-77051	HEATER, AIR	1							
8	1	129935-18350	DUCT, AIR	1							
9	1	26106-080702	BOLT, M8X 70 PLATED	2							
10	1	26106-080902	BOLT, M8X 90 PLATED	2							
11	1	123951-18220	JOINT, RUBBER	1							
12	1	23000-054000	CLAMP, 54	2							
13	1	129935-12080	PIPE, AIR INTAKE	1							
14	1	26106-080202	BOLT, M8X 20 PLATED	6							
15	1	129908-12500	CLEANER ASSY, AIR	1							
16	2	129935-12520	ELEMENT, OUTER	1							
17	2	119160-12530	COVER ASSY	1							
18	2	119160-12540	VALVE	1							
19	2	119160-12570	ELEMENT, INNER	1							
20	2	129612-12650	LABEL, MARKING	1							
21	2	126650-12680	INDICATOR	1							
22	1	23000-060000	CLAMP, 60	1							
23	1	23000-090000	CLAMP, 90	1							
24	1	129944-12620	BRACKET, CLEANER	1							
25	1	26013-080222	BOLT, SPRING M8X 22	4							

Fig.6. EXHAUST MANIFOLD



No.	Lev.	Parts No.	Description	Q'ty						I	R
				(A)	(B)	(C)	(D)	(E)	(F)		
1	1	129935-13100	MANIFOLD, EXHAUST	1							
2	1	129900-13251	GASKET, EXH.MANIFOLD	1							
3	1	123900-13630	BOLT, M8X80	8							
4	1	129418-18320	BOLT, STUD M8X20	4							
5	1	123901-18080	GASKET	1							
6	1	114220-07130	LABEL, HOT SURFACE	1							W

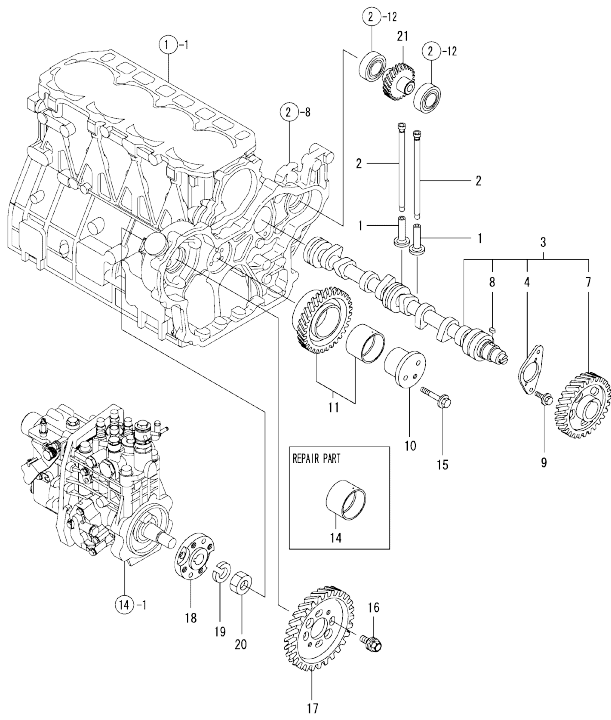
(A)=EXXXXX

0CW10-M42700 ENGINE SECTION (4TNV98T-NSA01)
 Fig.7. CAMSHAFT & DRIVING GEAR

0CW10-M42700 Fig.7

(A)=4TNV98T-NSA01
 (B)=
 (C)=

(D)=
 (E)=
 (F)=

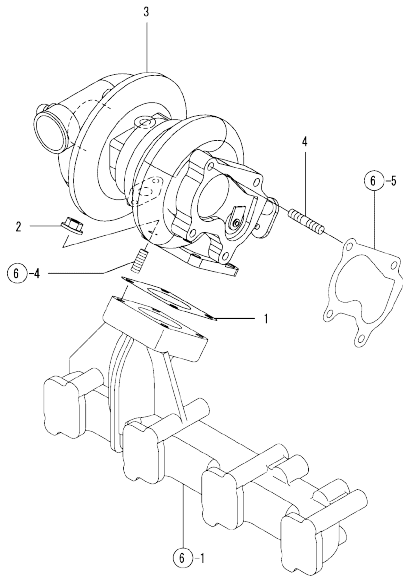


No.	Lev.	Parts No.	Description	Q'ty						I	R
				(A)	(B)	(C)	(D)	(E)	(F)		
1	1	129150-14200	TAPPET	8							
2	1	129907-14400	PUSH-ROD	8							
3	1	129908-14581	CAMSHAFT ASSY	1							
4	2	129150-02450	BEARING, THRUST	1							
7	2	129900-14100	GEAR, CAMSHAFT	1							
8	2	22512-070140	KEY, 7X 14	1							
9	1	26106-080162	BOLT, M8X 16 PLATED	2							
10	1	123900-25060	SHAFT, IDLE GEAR	1							
11	1	129900-25100	GEAR ASSY, IDLE	1							
14	1	129150-25920	BUSH, IDLE GEAR	1							1
15	1	26106-080552	BOLT, M8X 55 PLATED	3							
16	1	129953-25300	BOLT	4							
17	1	129907-25900	GEAR, PUMP	1							
18	1	158563-51150	FLANGE	1							
19	1	22217-180000	WASHER, SPRING 18	1							
20	1	26776-180002	NUT, LOCK M18	1							
21	1	129980-26200	GEAR, PUMP	1							

Remarks
 (1)REPAIR PART.

N:Old $\frac{100}{100}$ New, Q:Old $\frac{100}{100}$ New, R:Old $\frac{100}{100}$ New, S:Old $\frac{100}{100}$ New, W:Add, Z:Discontinued, F:Interchangeable by set, K:Qty Change
 Copyright (C) YANMAR GLOBAL CS CO., LTD. All Rights Reserved.

Fig.8. TURBINE

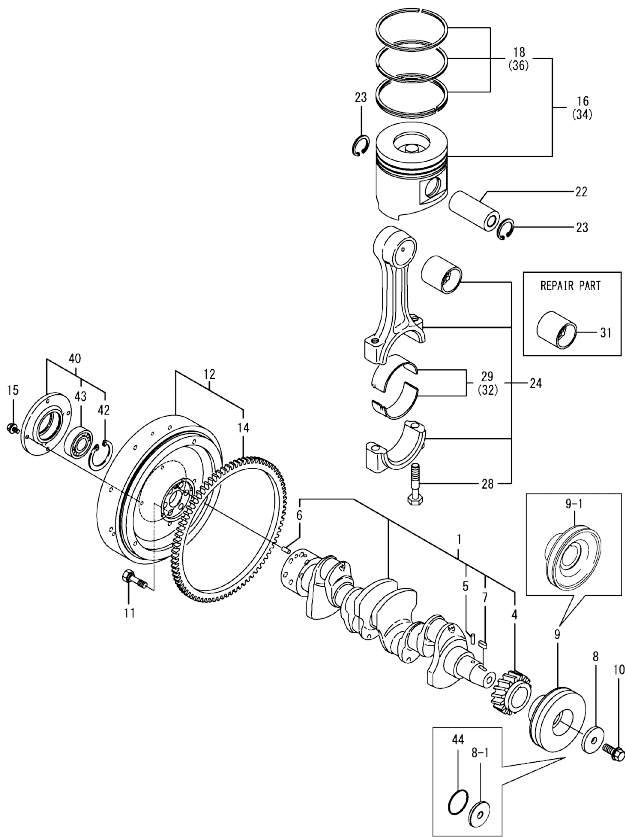


(A)=4TNV98T-NSA01
(B)=
(C)=

(D)=
(E)=
(F)=

No.	Lev.	Parts No.	Description	Q'ty					
				(A)	(B)	(C)	(D)	(E)	(F)
1	1	129472-18090	GASKET	1					
2	1	26306-080002	NUT, M8	4					
3	1	129935-18010	TURBOCHARGER, RHF5	1					
4	1	119131-18320	BOLT, STUD M8X22	4					

Fig.9. CRANKSHAFT & PISTON



(A)=4TNV98T-NSA01
(B)=
(C)=

(D)=
(E)=
(F)=

No.	Lev.	Parts No.	Description	Q'ty						I	R
				(A)	(B)	(C)	(D)	(E)	(F)		
1	1	129908-21000	CRANKSHAFT ASSY	1							
4	2	129900-21200	GEAR, CRANKSHAFT	1							
5	2	121850-21290	PIN	1							
6	2	121850-21920	PIN, PARALLEL 10X22	1							
7	2	22512-070140	KEY, 7X 14	1							
8	1	129900-21640	WASHER	1							
8-1	1	129960-21940	WASHER, V-PULLEY	1							N
(A=2018.08)											
9	1	129900-21660	V-PULLEY, CRANKSHAFT	1							
10	1	129916-21610	BOLT	1							
11	1	121850-21130	BOLT, FLYWHEEL	6							
12	1	129955-21590	FLYWHEEL ASSY	1							
14	2	129900-21600	GEAR, RING	1							
15	1	26106-080222	BOLT, M8X 22 PLATED	4							
16	1	129908-22080	PISTON ASSY	4							
18	2	129907-22050	RING SET, PISTON	4							
22	1	120130-22301	PIN, PISTON	4							
23	1	22252-000300	RING, 30	8							
24	1	129900-23001	ROD ASSY, CONNECTING	4							
28	2	129900-23200	BOLT, CONNECTING ROD	8							
29	2	129900-23601	BEARING, CRANK PIN	4							
31	1	129900-23911	BEARING, PISTON PIN	4							1
32	1	129900-23611	BEARING ASSY, 0.25US	4							2
34	1	729908-22900	PISTON ASSY, 0.25 OS	4							3
36	2	729907-22950	RING SET, 0.25 OS	4							3
40	1	129955-21460	CASE ASSY	1							
42	2	22252-000721	RING, 72	1							
43	2	24105-063064	BEARING, BALL 6306Z	1							
44	1	129960-21930	GASKET, WASHER	1							W
(A=2018.08)											

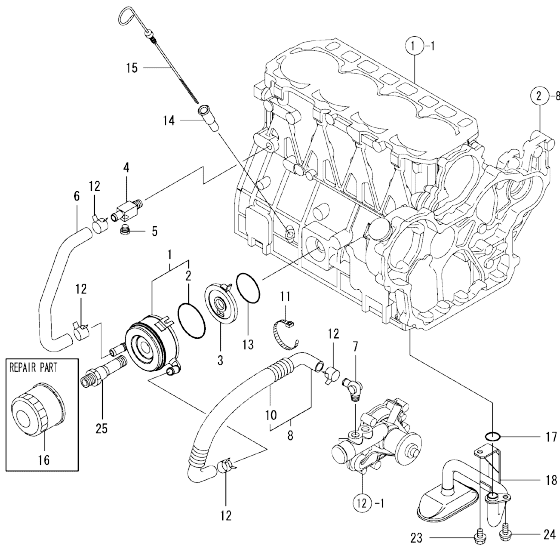
Remarks
(1)REPAIR PART.
(2)UNDER-SIZE(U.S.=0.25)PART.
(3)OVER-SIZE(O.S.=0.25)PART.

Fig.10. LUB.OIL SYSTEM

(A)=4TNV98T-NSA01
(B)=
(C)=

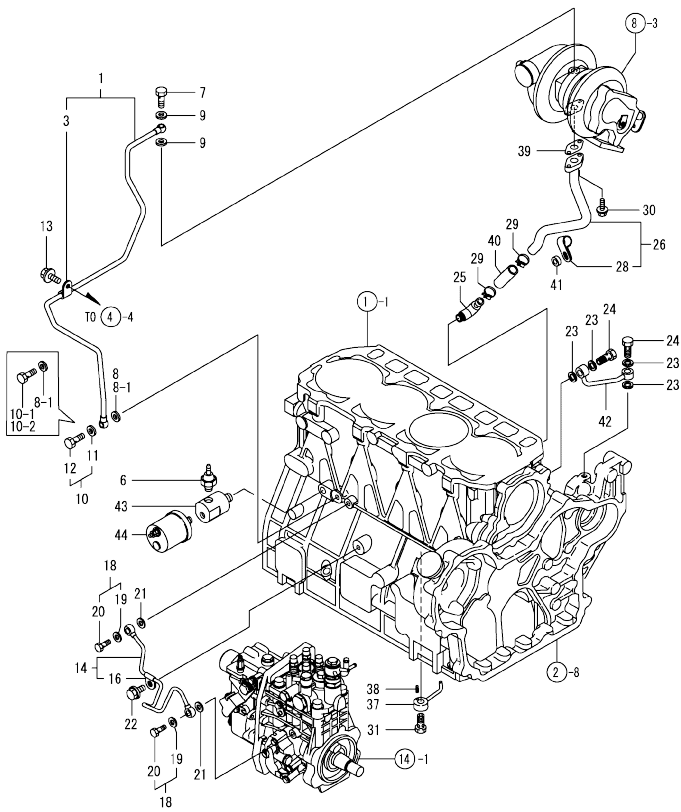
(D)=
(E)=
(F)=

No.	Lev.	Parts No.	Description	Q'ty						I	R
				(A)	(B)	(C)	(D)	(E)	(F)		
1	1	129908-33010	COOLER ASSY, OIL	1							
2	2	123912-33050	O-RING	1							
3	1	129908-33101	BRACKET, OIL COOLER	1							
4	1	129006-44480	JOINT	1							
5	1	171056-49120	PLUG, DRAIN R1/4	1							
6	1	129908-49060	HOSE, WATER	1							
7	1	129466-49300	ELBOW, PT3/8	1							
8	1	123910-49600	HOSE ASSY WATER	1							
10	2	123910-49610	TUBE, CORRUGATED	1							
11	1	121750-59890	BAND, NYLON	1							
12	1	23000-025000	CLAMP, 25	4							
13	1	24321-000600	O-RING, 1AG60.0	1							
14	1	121520-34810	GUIDE, DIPSTICK	1							
15	1	129953-34830	DIPSTICK	1							
16	1	129150-35170	FILTER,LO	1							
17	1	129900-32030	O-RING, P20	1							
18	1	129953-35000	PIPE ASSY, OIL INLET	1							
23	1	26106-080122	BOLT, M8X 12 PLATED	1							
24	1	26106-080162	BOLT, M8X 16 PLATED	1							
25	1	123912-33100	BOLT, COOLER	1							



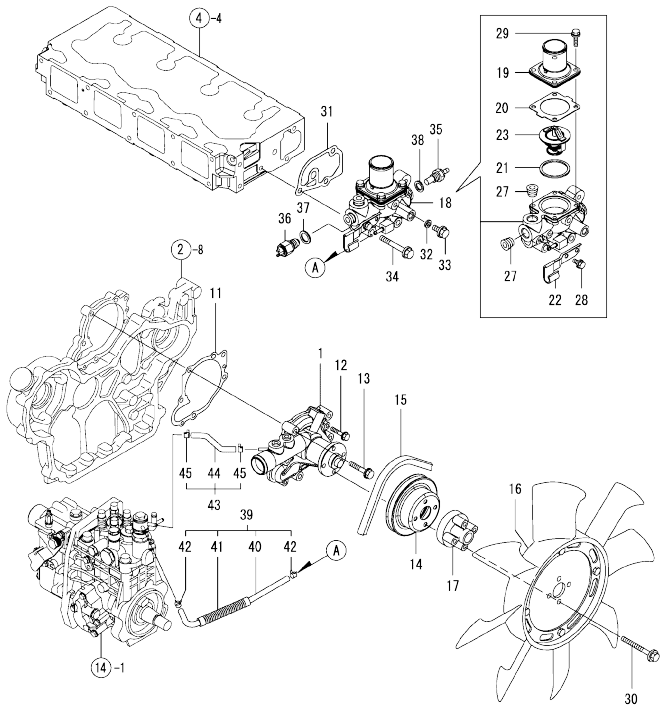
Remarks
(1)REPAIR PART.

Fig.11. LUB.OIL LINE



No.	Lev.	Parts No.	Description	Qty						I	R
				(A)	(B)	(C)	(D)	(E)	(F)		
1	1	129935-39040	PIPE ASSY, OIL	1							
3	2	124223-39900	RETAINER	1							
6	1	114250-39450	SWITCH, HYDRAULIC	1							
7	1	121252-39150	BOLT, JOINT M10X1.5	1							
8	1	22190-080002	WASHER, SEAL 6	1							
8-1	1	22190-080002	WASHER, SEAL 8	2							K
(A=E85893)											
9	1	23414-100000	GASKET, 10X1.0	2							
10	1	129005-59830	BOLT ASSY, JOINT M8	1							
10-1	1	105010-39140	BOLT, PIPE JOINT M8	1							S
(A=E85893)											
10-2	1	129198-59540	BOLT, PIPE JOINT M8	1							S
(A=*2020.06)											
11	2	22190-080002	WASHER, SEAL 6	1							Z
(A=E85893)											
12	2	23857-030000	BOLT, JOINT 3	1							Z
(A=E85893)											
13	1	26106-080122	BOLT, M8X 12 PLATED	1							
14	1	129907-39061	PIPE ASSY, OIL	1							
16	2	123907-39500	RETAINER, PIPE	1							
18	1	129005-59830	BOLT ASSY, JOINT M8	2							
19	2	22190-080002	WASHER, SEAL 6	2							
20	2	23857-030000	BOLT, JOINT 3	2							
21	1	22190-080002	WASHER, SEAL 6	2							
22	1	26106-080122	BOLT, M8X 12 PLATED	1							
23	1	22190-080002	WASHER, SEAL 6	4							
24	1	105010-39140	BOLT, PIPE JOINT	2							
25	1	124070-13300	ELBOW, PT3/8	1							
26	1	129935-39610	PIPE, OIL	1							
28	2	123910-39850	RETAINER	1							
29	1	23000-025000	CLAMP, 25	2							
30	1	26106-060162	BOLT, M6X 16 PLATED	2							
31	1	129908-39410	VALVE ASSY, CHECK	4							
37	1	119000-39650	NOZZLE, COOLING	4							
38	1	22351-030010	PIN, SPRING 3.0X10	4							
39	1	129908-39690	GASKET	1							
40	1	123901-39820	HOSE, LO RETURN	1							
41	1	106500-44810	SPACER, PULLEY	1							
42	1	129930-39050	PIPE, OIL	1							
43	1	171375-39601	DAMPER, 1/8	1							
44	1	119773-91501	SENSOR, PRESSURE	1							

Fig.12. COOLING WATER SYSTEM



No.	Lev.	Parts No.	Description	Q'ty						I	R
				(A)	(B)	(C)	(D)	(E)	(F)		
1	1	129907-42000	PUMP ASSY, WATER	1							
11	1	129900-42020	GASKET, WATER PUMP	1							
12	1	26106-060302	BOLT, M6X 30 PLATED	2							
13	1	26106-080552	BOLT, M8X 55 PLATED	5							
14	1	129900-42450	V-PULLEY, C.W.PUMP	1							
15	1	25132-004200	V-BELT, A42	1							
16	1	129920-44740	FAN, COOLING	1							
16-1	1	129916-44740 (A=EQ1432)	FAN, COOLING D=430	1							R
17	1	119141-44760	SPACER, FAN	1							
18	1	129907-49800	CASE ASSY,THERMOSTAT	1							
19	2	129916-49530	COVER, THERMOSTAT	1							
20	2	121850-49540	GASKET, THERMOSTAT	1							
21	2	121850-49550	GASKET, THERMOSTAT	1							
22	2	129907-49730	RETAINER, PIPE	1							
23	2	121850-49810	THERMOSTAT, 71C	1							
27	2	23875-030000	PLUG, R03	2							
28	2	26106-060122	BOLT, M6X 12 PLATED	1							
29	2	26106-060202	BOLT, M6X 20 PLATED	4							
30	1	26106-080552	BOLT, M8X 55 PLATED	4							
31	1	129900-49870	GASKET, THERMOSTAT	1							
32	1	23414-080000	GASKET, 8X1.0	1							
33	1	26106-080122	BOLT, M8X 12 PLATED	1							
34	1	26106-080602	BOLT, M8X 60 PLATED	3							
35	1	124250-49351	SENSOR, WATER TEMP	1							
36	1	121250-44901	SWITCH, THERMO 110	1							
37	1	124465-44950	GASKET, 16	1							
38	1	129150-49360	GASKET	1							
39	1	129907-49610	HOSE ASSY, WATER	1							
40	2	129907-49710	HOSE, WATER	1							
41	2	129907-49750	TUBE, CORRUGATED	1							
42	2	124722-59050	CLAMP, HOSE 9	2							
43	1	129907-49620	HOSE ASSY, WATER	1							
44	2	129907-49720	HOSE, WATER	1							
45	2	124722-59050	CLAMP, HOSE 9	2							

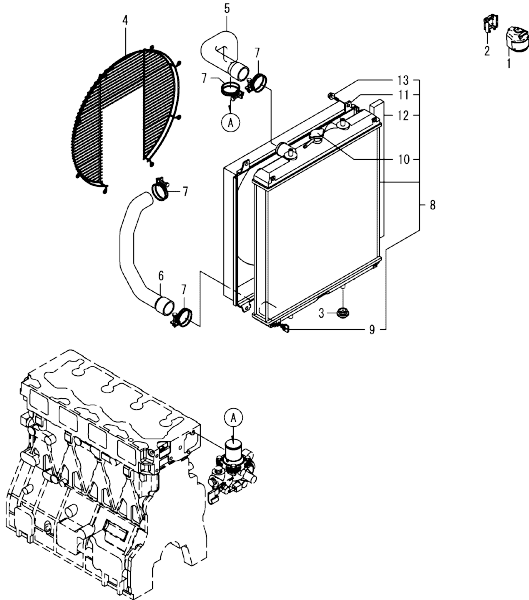
N:Old $\frac{New}{Old}$ New, Q:Old $\frac{New}{Old}$ New, R:Old $\frac{New}{Old}$ New, S:Old $\frac{New}{Old}$ New, W:Add, Z:Discontinued, F:Interchangeable by set, K:Qty Change
Copyright (C) YANMAR GLOBAL CS CO., LTD. All Rights Reserved.

Fig.13. RADIATOR

(A)=4TNV98T-NSA01
(B)=
(C)=

(D)=
(E)=
(F)=

No.	Lev.	Parts No.	Description	Q'ty						I	R	
				(A)	(B)	(C)	(D)	(E)	(F)			
1	1	120445-44530	TANK, SUB	1								
2	1	120445-44540	SUPPORT	1								
3	1	119255-44660	ABSORBER	4								
4	1	129907-44570	GUARD	1								
4-1	1	129601-44560	GUARD, FAN	1							R	
(A="2010.09)												
5	1	129981-49050	HOSE, WATER	1								
6	1	129981-49062	HOSE, WATER	1								
7	1	23000-060000	CLAMP, 60	4								
8	1	129940-44500	RADIATOR ASSY	1								
9	2	129508-44550	COCK ASSY	1								
10	2	129107-44590	CAP, RADIATOR	1								
11	2	129907-44600	SHROUD	1								
12	2	129907-44610	GASKET	2								
13	2	26014-060122	BOLT, M6X 12	4								



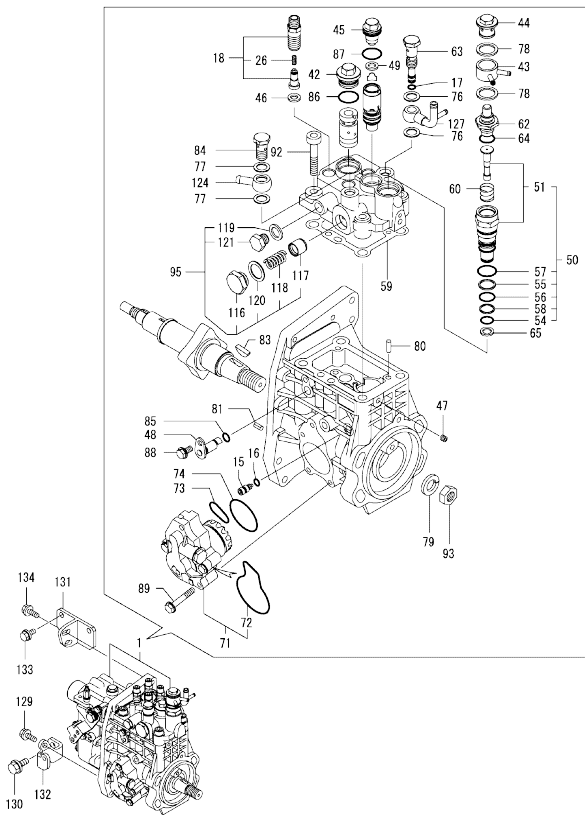
Remarks
* THIS FIGURE(RADIATOR ASSY)IS
OPTIONAL PART.

N:Old $\frac{100}{100}$ New, Q:Old $\frac{100}{100}$ New, R:Old $\frac{100}{100}$ New, S:Old $\frac{100}{100}$ New, W:Add, Z:Discontinued, F:Interchangeable by set, K:Q'ty Change
Copyright (C) YANMAR GLOBAL CS CO., LTD. All Rights Reserved.

Fig.14. FUEL INJECTION PUMP

(A)=4TNV98T-NSA01
(B)=
(C)=

(D)=
(E)=
(F)=



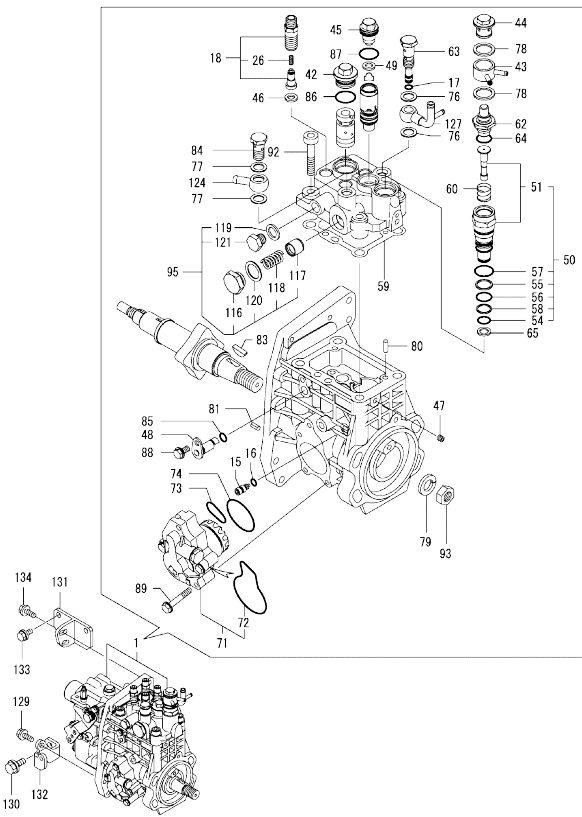
No.	Lev.	Parts No.	Description	Qty						I	R
				(A)	(B)	(C)	(D)	(E)	(F)		
1	1	729908-51310	FIE ASSY	1							1
15	3	158600-51270	STOPPER, TAPPET	1							
16	3	158563-51281	O-RING, 4D S6	1							
17	3	158563-51281	O-RING, 4D S6	1							
18	3	129509-51390	VALVE ASSY, DELIVERY	4							
26	4	158563-51330	SPRING, DELIVERY	4							
42	3	158601-51550	PLUG, M22	1							
43	3	158553-51551	JOINT, COOLING WATER	1							
44	3	158601-51570	PLUG	1							
45	3	129907-51560	PLUG, M16	1							
46	3	158552-51571	GASKET, PLUG	4							
47	3	158557-51570	PLUG, RACK	1							
48	3	158552-51580	LIFTER, LINK	1							
49	3	129906-51580	GASKET, PLUG	1							
50	3	119802-51590	TIMER ASSY	1							
51	4	119802-51600	TIMER ASSY	1							
54	4	158553-51670	O-RING	1							
55	4	119802-51680	RING, BACKUP	1							
56	4	119802-51690	O-RING	1							
57	4	24356-010200	O-RING, 4D1020	1							
58	4	24372-000150	RING, BACK UP T2P15	1							
59	3	158560-51600	GASKET	1							
60	3	158553-51630	SPRING, TIMER	1							
62	3	158553-51640	THERMOELEMENT	1							
63	3	158601-51650	JOINT, OVER FLOW	1							
64	3	158553-51660	O-RING, P14	1							
65	3	158553-51680	GASKET, TIMER	1							
71	3	158552-52100	PUMP ASSY, FUEL FEED	1							
72	4	158552-52500	O-RING	1							
73	3	158552-52310	O-RING	1							
74	3	158552-52400	O-RING, 4E S42	1							
76	3	22190-120002	WASHER, SEAL 12	2							
77	3	22190-120002	WASHER, SEAL 12	2							
78	3	22190-180002	WASHER, SEAL 18	2							
79	3	22217-180000	WASHER, SPRING 18	1							
80	3	22312-050140	PIN, PARALLEL M5X14	2							
81	3	22351-050010	PIN, SPRING 5.0X10	2							
83	3	144626-51090	FEATHER KEY, 5X19	1							
84	3	23857-060000	BOLT, JOINT 6	1							
85	3	24311-000070	O-RING, 1AP7.0	1							
86	3	24356-010200	O-RING, 4D1020	1							
87	3	24356-020210	O-RING, 4D2021	1							
88	3	26106-060102	BOLT, M6X 10 PLATED	1							
89	3	26106-060352	BOLT, M6X 35 PLATED	4							
92	3	26450-100452	BOLT, M10X 45	4							
93	3	26776-180002	NUT, LOCK M18	1							
95	3	129935-51741	HEAD ASSY, HYDRAULIC	1							
116	4	158601-51790	PLUG	1							
117	4	158601-51770	PISTON, ACCUMULATOR	1							
118	4	158552-51781	SPRING, ACCUMULATOR	1							
119	4	22190-120002	WASHER, SEAL 12	1							

Remarks
(1)GOVERNOR ASSY(FIG.15) IS INCORPORATED IN THIS FUEL INJECTION PUMP.(REF.NO.1).

Fig.14. FUEL INJECTION PUMP

(A)=4TNV98T-NSA01
(B)=
(C)=

(D)=
(E)=
(F)=



No.	Lev.	Parts No.	Description	Q'ty					
				(A)	(B)	(C)	(D)	(E)	(F)
120	4	22190-180002	WASHER, SEAL 18	1					
121	4	23887-120002	PLUG, 12	1					
124	2	129916-59020	JOINT, PIPE 12	1					
127	2	158552-51670	JOINT, OVER FLOW	1					
129	1	26106-080222	BOLT, M8X 22 PLATED	1					
130	1	26106-100202	BOLT, M10X 20 PLATED	1					
131	1	129907-01950	RETAINER, PUMP	1					
132	1	129907-01960	RETAINER, PUMP	1					
133	1	26106-080162	BOLT, M8X 16 PLATED	2					
134	1	26106-080222	BOLT, M8X 22 PLATED	2					

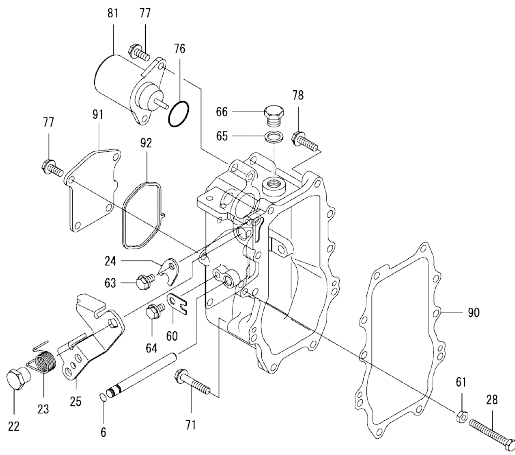
Remarks
(1)GOVERNOR ASSY(FIG.15) IS
INCORPORATED IN THIS FUEL
INJECTION PUMP.(REF.NO.1).

Fig.15. GOVERNOR

(A)=4TNV98T-NSA01
(B)=
(C)=

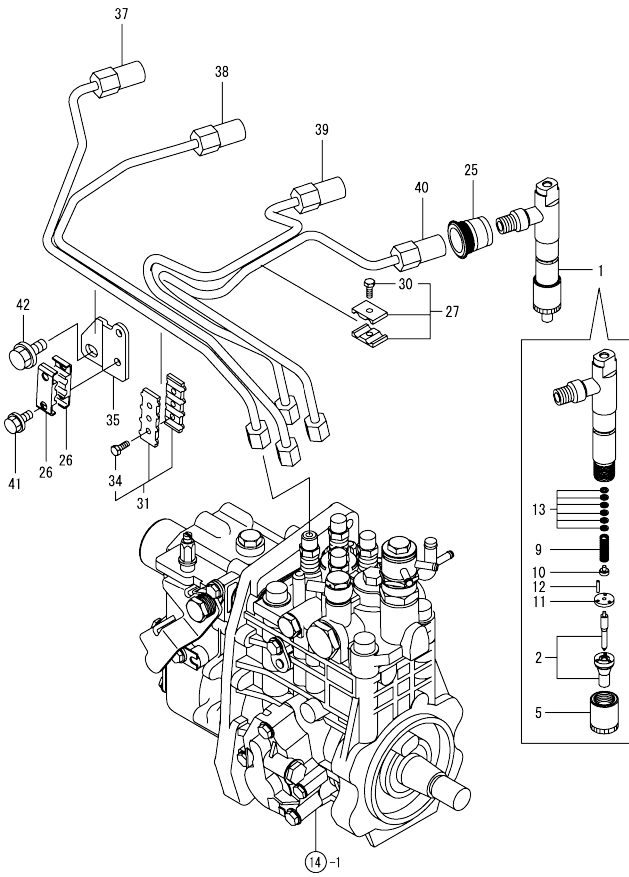
(D)=
(E)=
(F)=

No.	Lev.	Parts No.	Description	Q'ty						I	R
				(A)	(B)	(C)	(D)	(E)	(F)		
6	4	129155-51280	O-RING, S6	1							
22	4	129255-61410	NUT, M8	1							
23	4	119807-61420	SPRING, RETURN	1							
24	4	158560-61430	STOPPER, SHAFT	1							
25	4	158560-61442	LEVER, REGULATOR	1							
28	4	129155-61460	BOLT, LIMITING	1							
60	4	119660-61901	STOPPER, SHAFT	1							
61	4	26756-060002	NUT, LOCK M6	1							
63	4	26106-060102	BOLT, M6X 10 PLATED	1							
64	4	26106-060102	BOLT, M6X 10 PLATED	1							
65	4	22190-160002	WASHER, SEAL 16	1							
66	3	23887-160002	PLUG, 16	1							
71	3	26106-060402	BOLT, M6X 40 PLATED	2							
76	3	158552-61900	O-RING	1							
77	3	26106-060142	BOLT, M6X 14 PLATED	6							
78	3	26106-060252	BOLT, M6X 25 PLATED	8							
81	3	158560-61071	GASKET	1							
90	3	158560-61050	GASKET	1							
91	2	119653-77950	SOLENOID, STOP	1							
92	2	158560-61061	COVER, GOVERNOR CASE	1							



Remarks
* THIS FIGURE(GOVERNOR ASSY)IS
INCORPORATED IN THE FUEL INJECTION
PUMP ASSY(FIG.14).

Fig.16. FUEL INJECTION VALVE

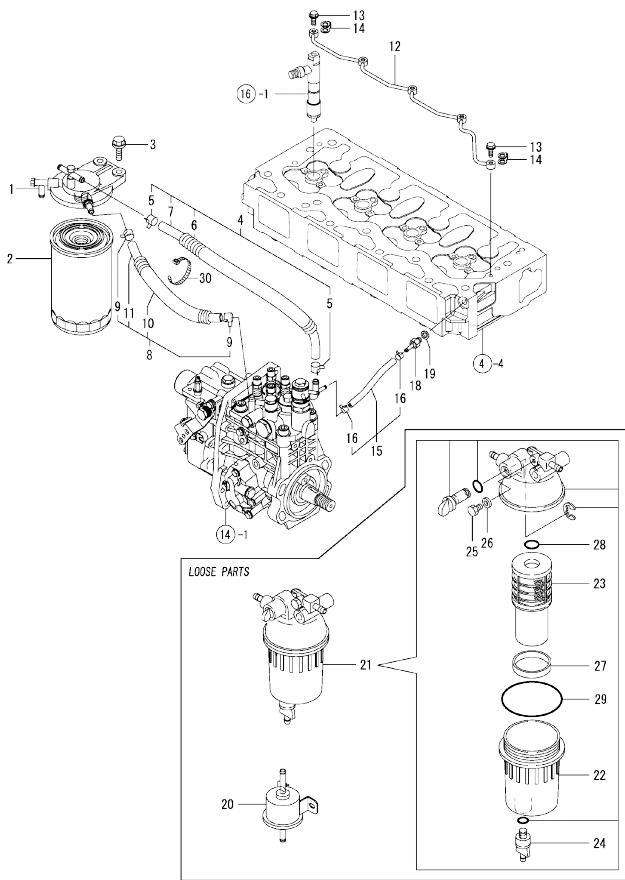


(A)=4TNV98T-NSA01
(B)=
(C)=

(D)=
(E)=
(F)=

No.	Lev.	Parts No.	Description	Q'ty						I	R
				(A)	(B)	(C)	(D)	(E)	(F)		
1	1	729908-53100	FUEL INJECTOR ASSY	4							
2	2	129908-53000	NOZZLE ASSY, F.I.	4							
5	2	114250-53080	NUT, NOZZLE	4							
9	2	114250-53120	SPRING, NOZZLE	4							
10	2	114250-53130	SEAT, SPRING	4							
11	2	114250-53140	SPACER	4							
12	2	114250-53210	PIN	8							
13	2	114250-53400	SHIM SET	4							
25	1	123907-11601	SEAL, PIPE	4							
26	1	122780-59100	RETAINER, PIPE	2							
27	1	119305-59120	RETAINER, PIPE	1							
30	2	129150-59131	BOLT, M4X14	1							
31	1	129550-59120	RETAINER, PIPE	1							
34	2	129150-59131	BOLT, M4X14	2							
35	1	129907-59720	SUPPORT	1							
37	1	129908-59810	PIPE ASSY, INJECTION	1							
38	1	129908-59820	PIPE ASSY, INJECTION	1							
39	1	129908-59830	PIPE ASSY, INJECTION	1							
40	1	129908-59840	PIPE ASSY, INJECTION	1							
41	1	26106-060162	BOLT, M6X 16 PLATED	2							
42	1	26106-080182	BOLT, M8X 18 PLATED	1							

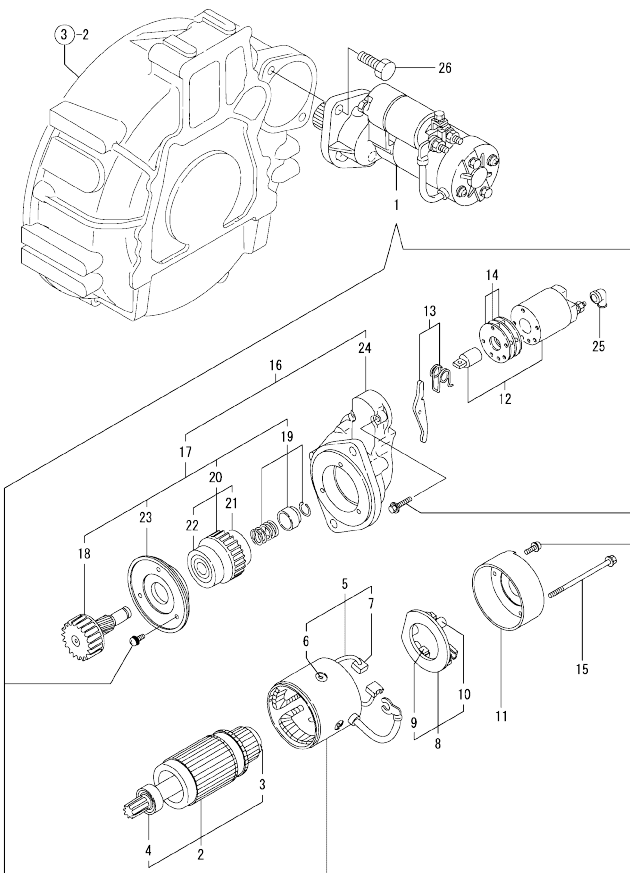
Fig.17. FUEL LINE



No.	Lev.	Parts No.	Description	Q'ty						I	R
				(A)	(B)	(C)	(D)	(E)	(F)		
1	1	129004-55612	BRACKET, FILTER	1							
2	1	123907-55810	FILTER, FUEL	1							
2-1	1	129907-55810	FILTER, FUEL	1							N
(A=EQ1432)											
3	1	26106-080302	BOLT, M8X 30 PLATED	2							
4	1	129457-59010	HOSE ASSY, FUEL	1							
5	2	124766-59050	CLAMP, HOSE 11.5	2							
6	2	129957-59120	TUBE, CORRUGATED 15	1							
7	2	105025-59750	HOSE, FUEL	1							
8	1	129981-59010	HOSE ASSY, FUEL	1							
9	2	124766-59050	CLAMP, HOSE 11.5	2							
10	2	129950-59221	TUBE, CORRUGATED 15	1							
11	2	129980-59510	HOSE, FUEL	1							
12	1	129907-59140	PIPE ASSY, RETURN	1							
13	1	123907-59540	BOLT, PIPE JOINT M6	5							
14	1	123907-59550	GASKET	5							
15	1	129486-59551	HOSE ASSY, RETURN	1							
16	2	124722-59050	CLAMP, HOSE 9	2							
18	1	123907-59560	JOINT, HOSE	1							
19	1	22190-080002	WASHER, SEAL 6	1							
20	1	119225-52102	PUMP, FUEL FEED	1							1
21	1	129242-55700	SEPARATOR ASSY, WATER	1							1
22	2	129242-55720	CUP, SEPARATOR	1							1
23	2	129242-55730	ELEMENT, FUEL	1							1
24	2	129242-55740	PLUG, DRAIN	1							1
25	2	129242-55750	VALVE, AIR VENT	1							1
26	2	129242-55760	GASKET, PLUG	1							1
27	2	129242-55770	FLOAT	1							1
28	2	24311-000160	O-RING, 1AP16.0	1							1
29	2	24321-000750	O-RING, 1AG75.0	1							1
30	1	121750-59890	BAND, NYLON	1							

Remarks
(1)OPTIONAL PART.

Fig.18. STARTING MOTOR

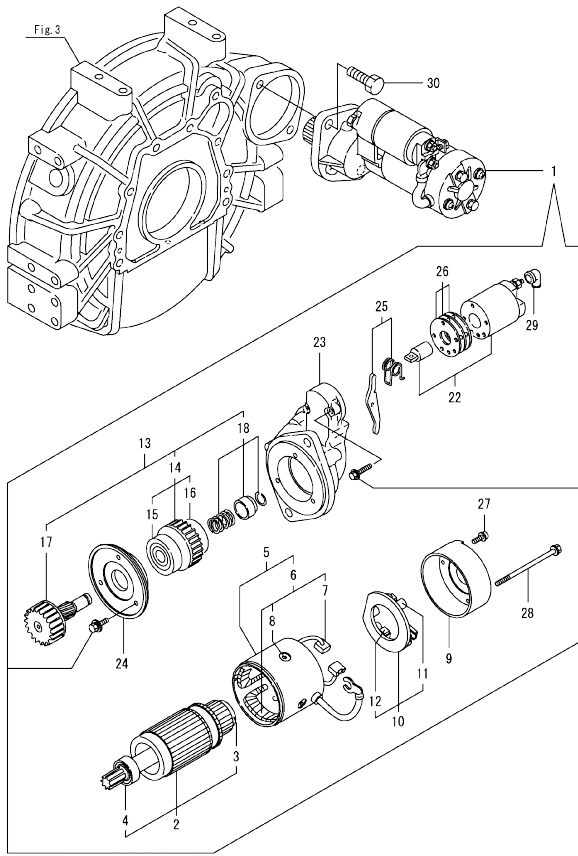


(A)=4TNV98T-NSA01
(B)=
(C)=

(D)=
(E)=
(F)=

No.	Lev.	Parts No.	Description	Q'ty					
				(A)	(B)	(C)	(D)	(E)	(F)
1	1	129900-77010	STARTER ASSY	1					
2	2	129900-77400	ARMATURE ASSY	1					
3	3	X2114155110	BEARING, BALL	1					
4	3	X2114255110	BEARING, BALL	1					
5	2	129900-77440	COIL ASSY, FIELD	1					
6	3	171008-77450	SCREW, CORE SET	4					
7	3	129900-77450	BRUSH	2					
8	2	129900-77480	HOLDER ASSY, BRUSH	1					
9	3	129900-77450	BRUSH	2					
10	3	X2130631300	SPRING, BRUSH	4					
11	2	129900-77460	COVER	1					
12	2	129900-77591	SWITCH ASSY, MAGNET	1					
13	2	129900-77620	LEVER SET	1					
14	2	129900-77650	COVER KIT, DUST	1					
15	2	129900-77640	BOLT, THROUGH	2					
16	2	129900-77700	CASE ASSY, GEAR	1					
17	3	129900-77510	PINION ASSY, W/CLUTCH	1					
18	4	129900-77540	SHAFT, PINION	1					
19	4	129900-77550	STOPPER SET, PINION	1					
20	4	129900-77520	CLUTCH ASSY	1					
21	4	171008-77730	BEARING, BALL	1					
22	4	171008-77740	BEARING, BALL	1					
23	4	129900-77610	RETAINER, BEARING	1					
24	3	129900-77710	CASE, GEAR	1					
25	2	171008-77750	COVER, TERMINAL	1					
26	1	26116-120302	BOLT, M12X 30 PLATED	2					

Fig.22. (18A)STARTING MOTOR



(A)=4TNV98T-NSA01
(B)=
(C)=

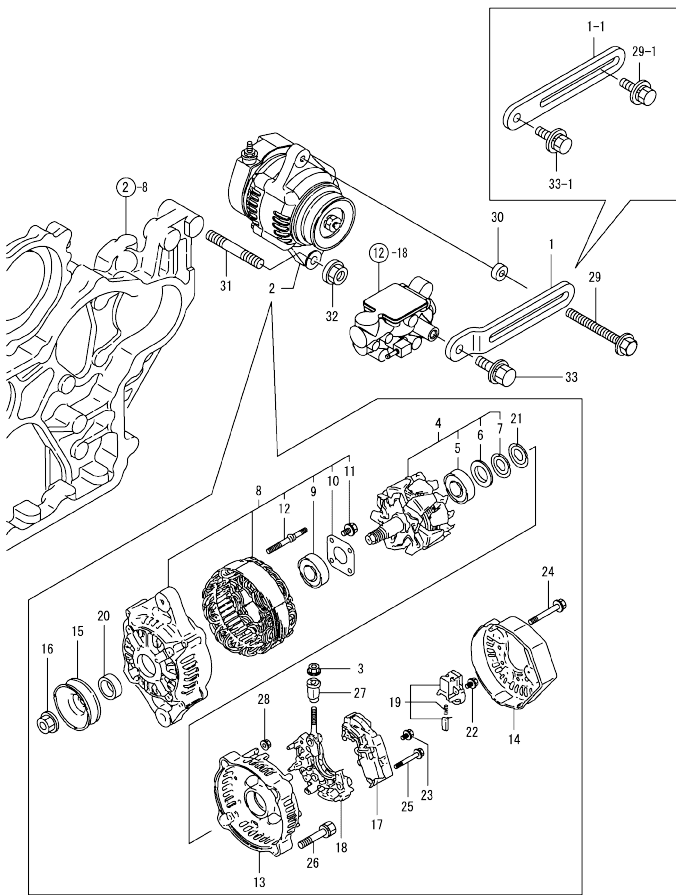
(D)=
(E)=
(F)=

No.	Lev.	Parts No.	Description	Q'ty						I	R
				(A)	(B)	(C)	(D)	(E)	(F)		
1	1	129900-77040	STARTER ASSY	1							
2	2	129900-77120	ARMATURE ASSY	1							
3	3	171008-77410	BEARING, BALL	1							
4	3	171008-77420	BEARING, BALL	1							
5	2	129900-77130	YOKE ASSY	1							
6	3	129900-77140	COIL ASSY, FIELD	1							
7	4	129900-77450	BRUSH	2							
8	4	171008-77450	SCREW, CORE SET	4							
9	2	129900-77150	COVER	1							
10	2	129900-77160	HOLDER ASSY, BRUSH	1							
11	3	X2130631300	SPRING, BRUSH	4							
12	3	129900-77450	BRUSH	2							
13	2	129900-77170	CLUTCH ASSY	1							
14	3	129900-77180	CLUTCH ASSY	1							
15	4	129900-77190	BEARING, BALL	1							
16	4	X2114955020	BEARING, BALL	1							
17	3	129900-77270	SHAFT, PINION	1							
18	3	171008-77670	STOPPER SET, PINION	1							
22	2	129900-77280	SWITCH ASSY, MAGNET	1							
23	2	129900-77290	CASE, GEAR	1							
24	2	129900-77380	RETAINER, BEARING	1							
25	2	129900-77390	LEVER ASSY, SHIFT	1							
26	2	129900-77420	COVER KIT, DUST	1							
27	2	129900-77430	SCREW, M4X10	2							
28	2	129685-77640	BOLT, THROUGH	2							
29	2	171008-77750	COVER, TERMINAL	1							
30	1	26116-120302	BOLT, M12X 30 PLATED	2							

Remarks
(1)OPTIONAL PART.

N:Old $\frac{100}{100}$ New, Q:Old $\frac{100}{100}$ New, R:Old $\frac{100}{100}$ New, S:Old $\frac{100}{100}$ New, W:Add, Z:Discontinued, F:Interchangeable by set, K:Qty Change
Copyright (C) YANMAR GLOBAL CS CO., LTD. All Rights Reserved.

Fig.19. GENERATOR

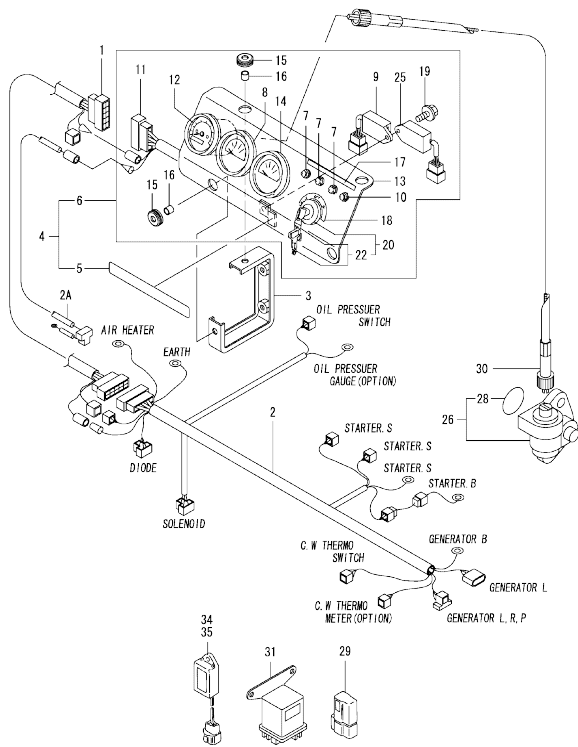


(A)=4TNV98T-NSA01
(B)=
(C)=

(D)=
(E)=
(F)=

No.	Lev.	Parts No.	Description	Qty						I	R
				(A)	(B)	(C)	(D)	(E)	(F)		
1	1	129972-77330	ADJUSTER, BELT	1							
1-1	1	129988-77330 (A=EXXXXX)	ADJUSTER, BELT	1							S 1
2	1	129423-77200	GENERATOR ASSY, 40A	1							
3	2	X9490561001	NUT	1							
4	2	119620-77380	ROTOR ASSY	1							
5	3	123501-79240	BEARING, BALL	1							
6	3	119620-79250	COVER, BEARING	1							
7	3	119620-79360	WASHER, THRUST	1							
8	2	119620-77421	FRAME ASSY, GENERATOR	1							
9	3	119620-79200	BEARING, BALL	1							
10	3	119620-79210	RETAINER	1							
11	3	119620-79220	SCREW	4							
12	3	119620-79230	BOLT, STUD	2							
13	2	119620-77440	FRAME ASSY	1							
14	2	129240-79300	COVER	1							
15	2	119620-77461	PULLEY, GENERATOR	1							
16	2	119620-77471	NUT	1							
17	2	129423-77710	REGULATOR ASSY	1							
18	2	119620-79260	HOLDER	1							
19	2	129052-79270	HOLDER, BRUSH	1							
20	2	119620-77490	COLLAR	1							
21	2	119620-79360	WASHER, THRUST	1							
22	2	119620-79290	SCREW	1							
23	2	119620-79300	SCREW	1							
24	2	119620-79310	BOLT	3							
25	2	119620-79320	SCREW	2							
26	2	119620-79330	BOLT	2							
27	2	119620-79340	BUSH, INSULATION	1							
28	2	119620-79350	NUT	2							
29	1	129972-77341	BOLT, ADJUST L=50	1							
29-1	1	119810-77340 (A=EXXXXX)	BOLT, ADJUST L=30	1							S 1
30	1	119940-77270 (A=EXXXXX)	SPACER	1							Z
31	1	129795-01900	BOLT, STUD M10X33	1							
32	1	26306-100002	NUT, M10	1							
33	1	26106-080222	BOLT, M8X 22 PLATED	1							
33-1	1	26014-080252 (A=EXXXXX)	BOLT, M8X 25	1							S 1

Fig.20. ELECTRIC PARTS



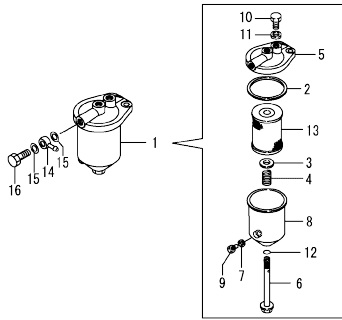
(A)=4TNV98T-NSA01
(B)=
(C)=

(D)=
(E)=
(F)=

No.	Lev.	Parts No.	Description	Q'ty						I	R
				(A)	(B)	(C)	(D)	(E)	(F)		
1	1	119946-91010 (A=E97042)	CORD, EXTENSION	1							Z
2	1	119888-91026	HARNESS, WIRE	1							N
2-1	1	119888-91027 (A=2008.10.)	HARNESS, WIRE	1							
2-2	1	119888-91027 (A=E97042)	HARNESS, WIRE A	1							Z
2A	1	119946-91020 (A=EZZZZ)	CORD, EXTENSION	1							W
2A-1	1	119946-91020 (A=E97042)	CORD, EXTENSION 2000	1							Z
3	1	119888-91120 (A=E97042)	SUPPORT	2							Z
4	1	119888-91202	PANEL ASSY	1							
5	2	104507-07190	LABEL, YANMAR	1							
6	2	119888-91221	PANEL ASSY	1							
7	3	124732-77720	LAMP, CHARGING	3							
8	3	171010-77850	THERMOSTAT	1							
9	3	128300-77920	TIMER	1							
10	3	124559-77971	LAMP, PILOT	1							
11	3	119888-91032	HARNESS, WIRE	1							
12	3	171080-91101	TACHOMETER	1							
13	3	119888-91110	BODY, PANEL	1							
14	3	171090-91010	GAUGE	1							
15	3	121400-91520	ABSORBER	4							
16	3	121400-91530	SPACER	4							
17	3	119888-91610	LABEL, CW & OIL LAMP	1							
18	3	119888-91620	LABEL, KEY SWITCH	1							
19	3	26106-060102	BOLT, M6X 10 PLATED	1							
20	3	933110-00100	SWITCH ASSY, STARTER	1							
22	4	933110-00301	KEY ASSY	1							
25	3	129211-77920	TIMER	1							
26	1	129150-91400	GEAR	1							Z
28	2	24341-000240 (A=E97042)	O-RING, 1AS24.0	1							
29	1	119643-66900	DIODE	1							
30	1	124737-91420 (A=E97042)	CABLE, TACHOMETER	1							Z
31	1	119650-77910	RELAY ASSY, GLOW	1							
34	1	128300-77920	TIMER	1							
35	1	129211-77920	TIMER	1							

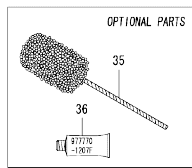
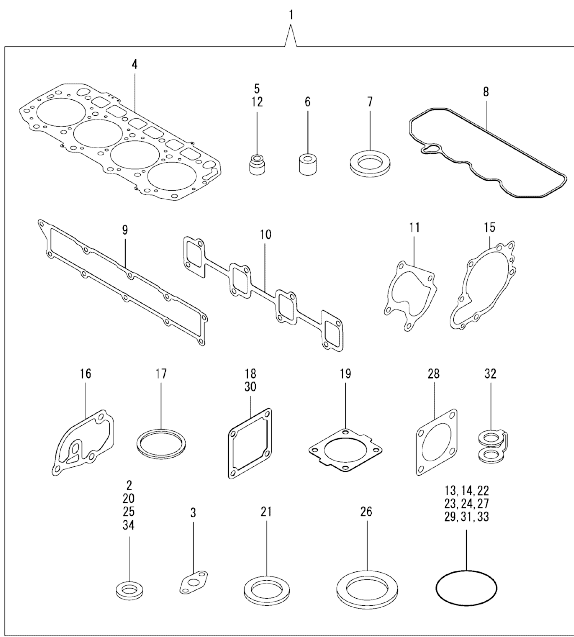
Remarks
(1) Interchangeable by simultaneous replacement with Ref.1-1, 29-1 and 33-1.

Fig.23. (20A)ACCESSORY



No.	Lev.	Parts No.	Description	Qty						I	R
				(A)	(B)	(C)	(D)	(E)	(F)		
1	1	129065-55750	SEPARATOR ASSY,WATER	1							W
		(A=EQ1432)									
2	2	123325-35140	GASKET, COVER	1							W
		(A=EQ1432)									
3	2	123325-35160	SEAT, SPRING	1							W
		(A=EQ1432)									
4	2	129065-55170	SPRING, FILTER	1							W
		(A=EQ1432)									
5	2	129495-55610	BODY, STRAINER	1							W
		(A=EQ1432)									
6	2	129495-55620	BOLT, CENTER	1							W
		(A=EQ1432)									
7	2	123672-55760	GASKET	1							W
		(A=EQ1432)									
8	2	129065-55760	CASE, SEPARATOR	1							W
		(A=EQ1432)									
9	2	129065-55770	PLUG, DRAIN M8	1							W
		(A=EQ1432)									
10	2	129065-55800	PLUG, M14	1							W
		(A=EQ1432)									
11	2	123678-55890	GASKET, PLUG	1							W
		(A=EQ1432)									
12	2	24311-000120	O-RING, 1AP12.0	1							W
		(A=EQ1432)									
13	2	41650-550800	ELEMENT, FUEL	1							W
		(A=EQ1432)									
14	1	121750-59910	JOINT, BALL 14	2							W
		(A=EQ1432)									
15	1	22190-140002	WASHER, SEAL 14	4							W
		(A=EQ1432)									
16	1	23857-080000	BOLT, JOINT 8	2							W
		(A=EQ1432)									

Fig.21. GASKET SET & TOOLS



(A)=4TNV98T-NSA01
(B)=
(C)=

(D)=
(E)=
(F)=

No.	Lev.	Parts No.	Description	Qty						I	R	
				(A)	(B)	(C)	(D)	(E)	(F)			
1	1	729908-92760	GASKET SET	1							1	
2	2	23414-100000	GASKET, 10X1.0	2								
3	2	129908-39690	GASKET	1								
4	2	129907-01331	GASKET, HEAD	1								
5	2	124160-11340	SEAL, VALVE STEM	8								
6	2	119802-11870	PROTECTOR, NOZZLE	4								
7	2	119625-11880	SEAT, NOZZLE	4								
8	2	129933-11310	GASKET, BONNET	1								
9	2	129907-12110	GASKET, MANIFOLD	1								
10	2	129900-13251	GASKET, EXH.MANIFOLD	1								
11	2	123901-18080	GASKET	1								
12	2	119803-11340	SEAL, VALVE STEM	8								
13	2	129900-32030	O-RING, P20	2								
14	2	129900-32040	O-RING, P14	1								
15	2	129900-42020	GASKET, WATER PUMP	1								
16	2	129900-49870	GASKET, THERMOSTAT	1								
17	2	121850-49550	GASKET, THERMOSTAT	1								
18	2	121850-77021	GASKET, AIR HEATER	1								
19	2	121850-49540	GASKET, THERMOSTAT	1								
20	2	23414-080000	GASKET, 8X1.0	1								
21	2	124465-44950	GASKET, 16	1								
22	2	24311-000070	O-RING, 1AP7.0	1								
23	2	24311-000120	O-RING, 1AP12.0	8								
24	2	24311-000320	O-RING, 1AP32.0	2								
25	2	22190-080002	WASHER, SEAL 6	11								
26	2	22190-220002	WASHER, SEAL 22	1								
27	2	24351-030750	O-RING, 1A3075	1								
28	2	129472-18090	GASKET	1								
29	2	24321-000850	O-RING, 1AG85.0	1								
30	2	119129-77020	GASKET	1								
31	2	24321-000600	O-RING, 1AG60.0	1								
32	2	123907-59550	GASKET	5								
33	2	24341-000240	O-RING, 1AS24.0	1								
34	2	129150-49360	GASKET	1								
35	1	129400-92450	HONE, FLEX	1								1
36	1	977770-1207F	GASKET.LIQUID	1								1

Remarks
* THIS FIGURE(ELECTRIC PARTS ASSY)IS
OPTIONAL PART.

Parts No. Index

Parts No.	Fig. No.	Ref. No.
104507-07190	20	5
105010-39140	11	10 -1
		24
105025-59750	17	7
106500-44810	11	41
114220-07130	6	6
114250-39450	11	6
114250-53080	16	5
114250-53120	16	9
114250-53130	16	10
114250-53140	16	11
114250-53210	16	12
114250-53400	16	13
119000-39650	11	37
119005-77051	5	7
119006-03090	4	75
119100-11330	4	58
119129-77020	5	5
	21	30
119131-18320	8	4
119141-44760	12	17
119160-12530	5	17
119160-12540	5	18
119160-12570	5	19
119225-52102	17	20
119255-44660	13	3
119305-59120	16	27
119593-11301	4	28
119620-01750	3	4
119620-11180	4	18
119620-77380	19	4
119620-77421	19	8
119620-77440	19	13
119620-77461	19	15
119620-77471	19	16
119620-77490	19	20
119620-79200	19	9
119620-79210	19	10
119620-79220	19	11
119620-79230	19	12
119620-79250	19	6
119620-79260	19	18
119620-79290	19	22
119620-79300	19	23
119620-79310	19	24
119620-79320	19	25
119620-79330	19	26
119620-79340	19	27
119620-79350	19	28
119620-79360	19	7

Parts No.	Fig. No.	Ref. No.
119620-79360	19	21
119625-11880	4	61
	21	7
119640-01640	3	9
119643-66900	20	29
119650-77910	20	31
119653-77950	15	91
119660-61901	15	60
119773-91501	11	44
119802-11870	4	60
	21	6
119802-51590	14	50
119802-51600	14	51
119802-51680	14	55
119802-51690	14	56
119803-11340	4	20
	21	12
119807-61420	15	23
119810-77340	19	29 -1
119888-91026	20	2
119888-91027	20	2 -1
		2 -2
119888-91032	20	11
119888-91110	20	13
119888-91120	20	3
119888-91202	20	4
119888-91221	20	6
119888-91610	20	17
119888-91620	20	18
119940-77270	19	30
119946-91010	20	1
119946-91020	20	2 A
		2 A-1
120130-22301	9	22
120445-44530	13	1
120445-44540	13	2
121023-01551	2	32
121023-26070	2	26
121250-44901	12	36
121252-39150	11	7
121400-91520	20	15
121400-91530	20	16
121520-34810	10	14
121750-59890	10	11
	17	30
121750-59910	23	14
121850-21130	9	11
121850-21290	9	5
121850-21920	9	6
121850-49540	12	20

Parts No.	Fig. No.	Ref. No.
121850-49540	21	19
121850-49550	12	21
	21	17
121850-49810	12	23
121850-77021	5	6
	21	18
122780-59100	16	26
123325-35140	23	2
123325-35160	23	3
123501-79240	19	5
123672-55760	23	7
123678-55890	23	11
123900-13630	6	3
123900-25060	7	10
123901-03240	4	68
123901-03280	4	79
123901-18080	6	5
	21	11
123901-39820	11	40
123907-11280	4	33
123907-11550	4	3
123907-11601	16	25
123907-11820	4	12
123907-11830	4	24
123907-39500	11	16
123907-55810	17	2
123907-59540	17	13
123907-59550	17	14
	21	32
	17	18
123907-59560	17	18
123910-39850	11	28
123910-49600	10	8
123910-49610	10	10
123912-33050	10	2
123912-33100	10	25
123951-18220	5	11
124070-13300	11	25
124160-01751	2	25
	4	50
124160-11340	4	19
	21	5
124160-11360	4	62
124223-39900	11	3
124250-49351	12	35
124411-01780	3	7
124465-44950	12	37
	21	21
124559-77971	20	10
124722-59050	12	42
		45

Parts No.	Fig. No.	Ref. No.
124722-59050	17	16
124732-77720	20	7
124737-91420	20	30
124766-59050	17	5
		9
126650-12680	5	21
128300-77920	20	9
		34
129001-91810	2	14
		15
129004-55612	17	1
129005-59830	11	10
		18
129006-44480	10	4
129052-79270	19	19
129065-55170	23	4
129065-55750	23	1
129065-55760	23	8
129065-55770	23	9
129065-55800	23	10
129100-01580	2	5
	3	1
129107-44590	13	10
129150-02450	7	4
129150-03100	4	80
129150-11230	4	36
		40
129150-11750	4	23
		37
		41
129150-14200	7	1
129150-25920	7	14
129150-35170	10	16
129150-49360	12	38
	21	34
129150-59131	16	30
		34
129150-91400	20	26
129155-51280	15	6
129155-61460	15	28
129198-59540	11	10 -2
129211-77920	20	25
		35
129240-79300	19	14
129242-55700	17	21
129242-55720	17	22
129242-55730	17	23
129242-55740	17	24
129242-55750	17	25
129242-55760	17	26

Parts No. Index

Parts No.	Fig. No.	Ref. No.	Parts No.	Fig. No.	Ref. No.	Parts No.	Fig. No.	Ref. No.	Parts No.	Fig. No.	Ref. No.
129242-55770	17	27	129900-42020	21	15	129907-11100	4	11	129908-49060	10	6
129255-61410	15	22	129900-42450	12	14	129907-11110	4	16	129908-53000	16	2
129400-92450	21	35	129900-49870	12	31	129907-11120	4	17	129908-59810	16	37
129410-03990	4	77		21	16	129907-11250	4	30	129908-59820	16	38
129418-18320	6	4	129900-77010	18	1	129907-11260	4	31	129908-59830	16	39
129423-77200	19	2	129900-77040	22	1	129907-11270	4	32	129908-59840	16	40
129423-77710	19	17	129900-77120	22	2	129907-11341	4	29	129916-01710	3	8
129457-59010	17	4	129900-77130	22	5	129907-11510	4	21	129916-01800	2	3
129466-49300	10	7	129900-77140	22	6	129907-11650	4	34	129916-21610	9	10
129472-18090	8	1	129900-77150	22	9	129907-11660	4	38	129916-44740	12	16 -1
	21	28	129900-77160	22	10	129907-11800	4	27	129916-49530	12	19
129486-59551	17	15	129900-77170	22	13	129907-11910	4	65	129916-59020	14	124
129495-55610	23	5	129900-77180	22	14	129907-11920	4	42	129920-44740	12	16
129495-55620	23	6	129900-77190	22	15	129907-11950	4	48	129927-42140	2	13 A
129508-44550	13	9	129900-77270	22	17	129907-12110	5	2	129930-39050	11	42
129509-51390	14	18	129900-77280	22	22		21	9	129933-01500	2	8
129550-59120	16	31	129900-77290	22	23	129907-14400	7	2	129933-11310	4	57
129601-44560	13	4 -1	129900-77380	22	24	129907-22050	9	18		21	8
129612-12650	5	20	129900-77390	22	25	129907-25900	7	17	129933-11320	4	51
129685-77640	22	28	129900-77400	18	2	129907-39061	11	14	129935-03260	4	72
129795-01900	19	31	129900-77420	22	26	129907-42000	12	1	129935-03270	4	74
129900-01200	1	31	129900-77430	22	27	129907-44570	13	4	129935-12080	5	13
129900-01250	1	5	129900-77440	18	5	129907-44600	13	11	129935-12520	5	16
129900-01740	2	6	129900-77450	18	7	129907-44610	13	12	129935-13100	6	1
129900-02020	1	7			9	129907-49610	12	39	129935-18010	8	3
129900-02341	1	34			22	129907-49620	12	43	129935-18350	5	8
129900-02410	1	10			12	129907-49710	12	40	129935-39040	11	1
129900-02931	1	25	129900-77460	18	11	129907-49720	12	44	129935-39610	11	26
129900-02941	1	37	129900-77480	18	8	129907-49730	12	22	129935-51741	14	95
129900-07900	4	1	129900-77510	18	17	129907-49750	12	41	129937-07900	4	82
129900-13251	6	2	129900-77520	18	20	129907-49800	12	18	129940-44500	13	8
	21	10	129900-77540	18	18	129907-51560	14	45	129944-12110	5	1
129900-14100	7	7	129900-77550	18	19	129907-55810	17	2 -1	129944-12620	5	24
129900-21200	9	4	129900-77591	18	12	129907-59140	17	12	129950-59221	17	10
129900-21600	9	14	129900-77610	18	23	129907-59720	16	35	129953-25300	7	16
129900-21640	9	8	129900-77620	18	13	129908-03099	4	66	129953-34830	10	15
129900-21660	9	9	129900-77640	18	15	129908-03230	4	67	129953-35000	10	18
129900-23001	9	24	129900-77650	18	14	129908-03240	4	69	129955-01600	3	2
129900-23200	9	28	129900-77700	18	16	129908-03250	4	70	129955-21460	9	40
129900-23601	9	29	129900-77710	18	24	129908-11700	4	4	129955-21590	9	12
129900-23611	9	32	129906-51580	14	49	129908-12500	5	15	129957-59120	17	6
129900-23911	9	31	129907-01190	1	33	129908-14581	7	3	129960-03990	4	78
129900-25100	7	11	129907-01331	1	32	129908-21000	9	1	129960-21930	9	44
129900-26250	2	12		21	4	129908-22080	9	16	129960-21940	9	8 -1
129900-32030	2	31	129907-01579	2	1	129908-32060	2	11	129972-77330	19	1
	10	17	129907-01950	14	131	129908-33010	10	1	129972-77341	19	29
	21	13	129907-01960	14	132	129908-33101	10	3	129980-26200	7	21
129900-32040	2	13	129907-03011	4	52	129908-39410	11	31	129980-59510	17	11
	21	14	129907-03061	4	53	129908-39690	11	39	129981-49050	13	5
129900-42020	12	11	129907-03070	4	54		21	3	129981-49062	13	6

Parts No. Index

Parts No.	Fig. No.	Ref. No.
129981-59010	17	8
129988-77330	19	1 -1
144626-51090	14	83
158552-51571	14	46
158552-51580	14	48
158552-51670	14	127
158552-51781	14	118
158552-52100	14	71
158552-52310	14	73
158552-52400	14	74
158552-52500	14	72
158552-61900	15	76
158553-51551	14	43
158553-51630	14	60
158553-51640	14	62
158553-51660	14	64
158553-51670	14	54
158553-51680	14	65
158557-51570	14	47
158560-51600	14	59
158560-61050	15	90
158560-61061	15	92
158560-61071	15	81
158560-61430	15	24
158560-61442	15	25
158563-51150	7	18
158563-51281	14	16
		17
158563-51330	14	26
158600-51270	14	15
158601-51550	14	42
158601-51570	14	44
158601-51650	14	63
158601-51770	14	117
158601-51790	14	116
171008-77410	22	3
171008-77420	22	4
171008-77450	18	6
	22	8
171008-77670	22	18
171008-77730	18	21
171008-77740	18	22
171008-77750	18	25
	22	29
171010-77850	20	8
171051-01921	1	6
171056-49120	10	5
171080-91101	20	12
171090-91010	20	14
171375-39601	11	43

Parts No.	Fig. No.	Ref. No.
22190-080002	11	8
		8 -1
		11
		19
		21
		23
	17	19
	21	25
22190-120002	14	76
		77
		119
22190-140002	23	15
22190-160002	15	65
22190-180002	14	78
		120
22190-220002	3	11
	21	26
22217-180000	7	19
	14	79
22252-000300	9	23
22252-000721	9	42
22312-050140	14	80
22351-030010	11	38
22351-050010	14	81
22351-060012	1	15
22512-070140	7	8
	9	7
22857-500100	4	59
23000-022000	4	76
23000-025000	10	12
	11	29
23000-054000	5	12
23000-060000	5	22
	13	7
23000-090000	5	23
23414-080000	12	32
	21	20
23414-100000	11	9
	21	2
23857-030000	11	12
		20
23857-060000	14	84
23857-080000	23	16
23875-030000	12	27
23876-020000	4	13
23876-030000	1	12
		13
		14
	4	14
		14
23887-120002	14	121

Parts No.	Fig. No.	Ref. No.
23887-160002	15	66
24105-063064	9	43
24311-000070	2	16
	14	85
	21	22
24311-000120	4	47
		63
	21	23
	23	12
24311-000160	17	28
24311-000320	2	30
	4	64
	21	24
24321-000600	10	13
	21	31
24321-000750	17	29
24321-000850	2	27
	21	29
24341-000240	2	33
	20	28
	21	33
24351-030750	2	17
	21	27
24356-010200	14	57
		86
24356-020210	14	87
24372-000150	14	58
25132-004200	12	15
26013-080222	5	25
26014-060122	13	13
26014-080252	19	33 -1
26106-060102	14	88
	15	63
		64
	20	19
26106-060122	12	28
26106-060142	15	77
26106-060162	2	4
	11	30
	16	41
26106-060202	12	29
26106-060252	15	78
26106-060302	12	12
26106-060352	14	89
26106-060402	15	71
26106-080122	3	12
	4	81
	10	23
	11	13
		22

Parts No.	Fig. No.	Ref. No.
26106-080122	12	33
26106-080142	4	83
26106-080162	2	18
		19
	4	2
	7	9
	10	24
	14	133
26106-080182	16	42
26106-080202	2	20
	5	14
26106-080222	4	85
	9	15
	14	129
		134
	19	33
26106-080302	17	3
26106-080402	2	21
		22
	4	44
26106-080452	2	23
	5	3
26106-080552	7	15
	12	13
		30
26106-080602	4	45
		46
	12	34
26106-080702	5	9
26106-080802	5	4
26106-080902	5	10
26106-100202	2	28
	14	130
26116-050102	4	71
26116-120302	18	26
	22	30
26206-100352	3	5
26206-100702	3	6
26216-100302	2	10
26226-080222	4	43
26306-080002	4	49
	8	2
26306-100002	2	24
	19	32
26450-100452	14	92
26756-060002	15	61
26776-180002	7	20
	14	93
27241-300000	1	11
27241-400000	4	15

Parts No. Index

Parts No.	Fig. No.	Ref. No.
27310-070001	4	25
41650-550800	23	13
729900-02801	1	28
729907-22950	9	36
729908-01560	1	1
729908-22900	9	34
729908-51310	14	1
729908-53100	16	1
729908-92760	21	1
933110-00100	20	20
933110-00301	20	22
977770-1207F	2	29
	3	3
	4	84
	21	36
X2114155110	18	3
X2114255110	18	4
X2114955020	22	16
X2130631300	18	10
	22	11
X9490561001	19	3

Parts No.	Fig. No.	Ref. No.
-----------	----------	----------

Parts No.	Fig. No.	Ref. No.
-----------	----------	----------

Parts No.	Fig. No.	Ref. No.
-----------	----------	----------