

0CD50-M01010EN

P R E F A C E

This parts catalog is the 1st edition of 4TNV98T-NAT for Agritech.

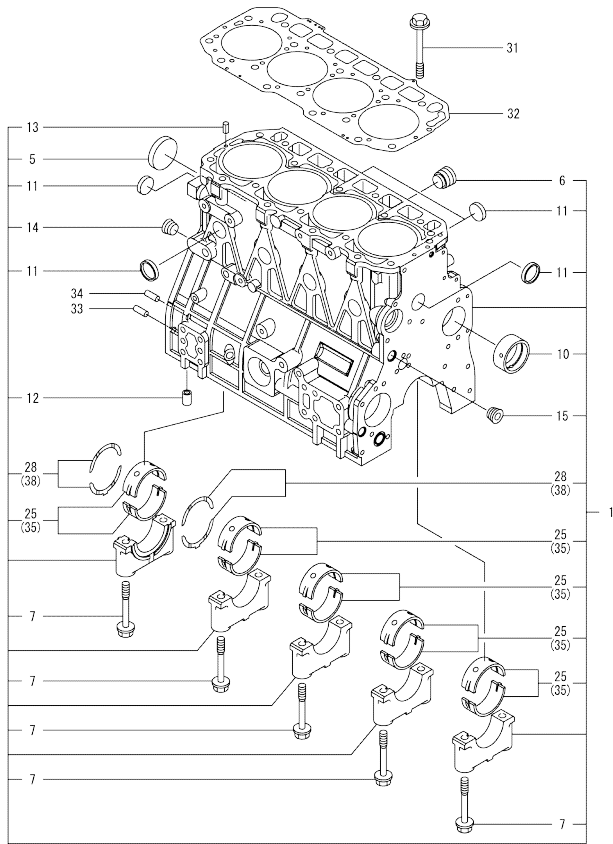
Published : January, 2015

Contents

OCD50-M01010

Fig. No.	Fig. Name	Fig. No.	Fig. Name
ENGINE			
1.	CYLINDER BLOCK		
2.	GEAR HOUSING		
3.	OIL SUMP		
4.	CYLINDER HEAD & BONNET		
5.	SUCTION MANIFOLD		
6.	EXHAUST MANIFOLD		
7.	CAMSHAFT & DRIVING GEAR		
8.	TURBINE		
9.	CRANKSHAFT & PISTON		
10.	BALANCER		
11.	LUB. OIL SYSTEM		
12.	LUB. OIL PIPE		
13.	COOLING WATER SYSTEM		
14.	FUEL INJECTION PUMP		
15.	GOVERNOR		
16.	FUEL INJECTION VALVE		
17.	FUEL PIPE		

Fig.1. CYLINDER BLOCK



(A)=4TNV98T-NAT
(B)=
(C)=

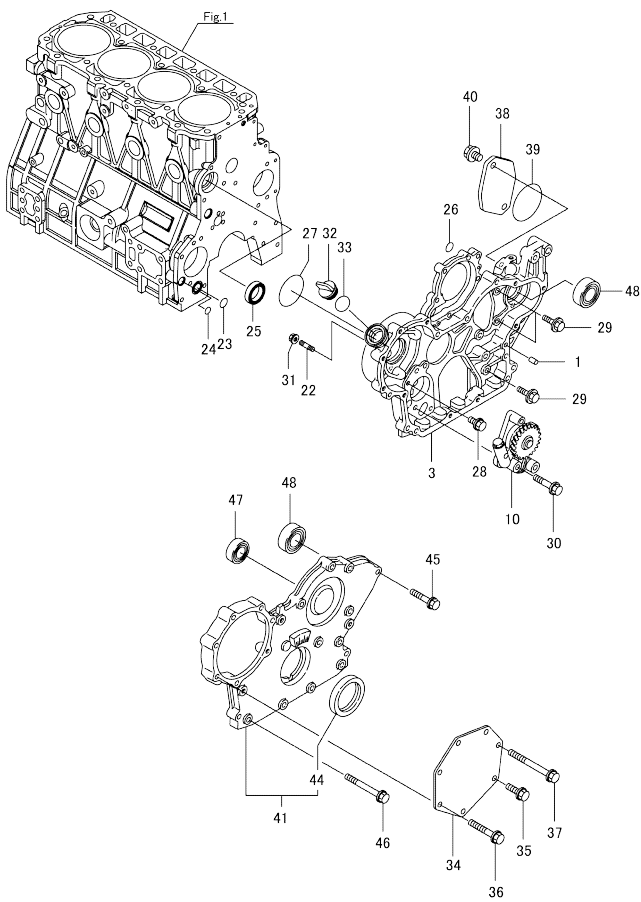
(D)=
(E)=
(F)=

No.	Lev.	Parts No.	Description	Q'ty						I	R
				(A)	(B)	(C)	(D)	(E)	(F)		
1	1	729972-01560	BLOCK ASSY, CYLINDER	1							
5	2	129900-01250	PLUG, DISH TYPE 55	1							
6	2	171051-01921	PLUG, NPTF1	1							
7	2	129900-02020	BOLT, METAL CAP	10							
10	2	129900-02410	BUSH, CAMSHAFT	1							
11	2	27241-300000	PLUG 30	8							
12	2	129956-01710	PIPE, DOWEL L=25	1							
13	2	22351-060012	PIN, SPRING 6.0X12	2							
14	2	23876-030000	PLUG, R03	1							
15	2	23876-030000	PLUG, R03	1							
25	2	729900-02801	BEARING, MAIN	5							3
28	2	129900-02931	BEARING ASSY, THRUST	2							
31	1	129900-01200	BOLT, CYLINDER HEAD	18							
32	1	129907-01331	GASKET, HEAD	1							
33	1	129100-01580	PIN, PARALLEL 8X16	2							
34	1	129100-01580	PIN, PARALLEL 8X16	2							
35	1	129900-02341	BEARING ASSY, MAIN	5							1
38	1	129900-02941	BEARING, THRUST 0.25	2							2

Remarks

- (1) Under-sized (U.S.=0.25) parts.
- (2) Over-sized (O.S.=0.25) parts.
- (3) Spare parts.

Fig.2. GEAR HOUSING

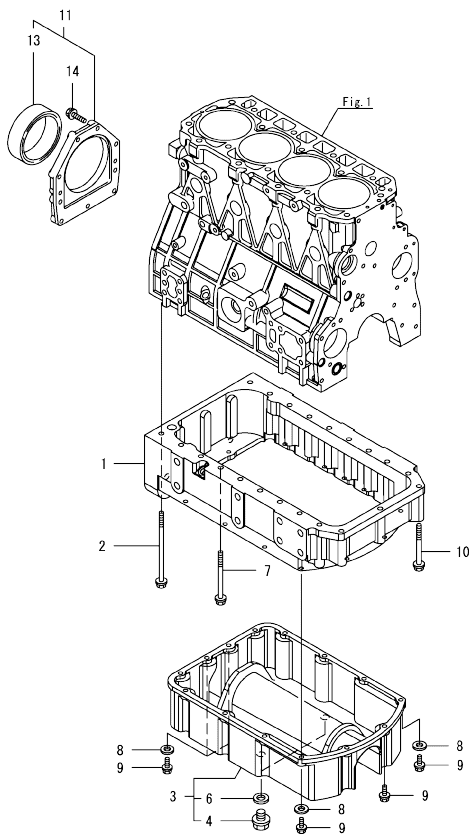


No.	Lev.	Parts No.	Description	Qty					
				(A)	(B)	(C)	(D)	(E)	(F)
1	1	129100-01580	PIN, PARALLEL 8X16	4					
3	2	129933-01500	CASE, GEAR	1					
10	2	129908-32060	PUMP ASSY, OIL	1					
22	2	26216-100302	STUD, M10X 30	4					
23	1	129900-32030	O-RING, P20	1					
24	1	129900-32040	O-RING, P14	1					
25	1	129927-42140	GASKET, CW-P OUT	1					
26	1	24311-000070	O-RING, 1AP7.0	1					
27	1	24351-030750	O-RING, 1A3075	1					
28	1	26106-080162	BOLT, M8X 16 PLATED	1					
29	1	26106-080202	BOLT, M8X 20 PLATED	3					
30	1	26106-080452	BOLT, M8X 45 PLATED	3					
31	1	26306-100002	NUT, M10	4					
32	1	124160-01751	CAP, FILLER	1					
33	1	24311-000320	O-RING, 1AP32.0	1					
34	1	129951-01740	COVER	1					
35	1	26106-080202	BOLT, M8X 20 PLATED	1					
36	1	26106-080452	BOLT, M8X 45 PLATED	5					
37	1	26106-080752	BOLT, M8X 75 PLATED	1					
38	1	121023-26071	COVER, PUMP	1					
39	1	24321-000850	O-RING, 1AG85.0	1					
40	1	26106-100202	BOLT, M10X 20 PLATED	2					
41	1	729907-01559	COVER ASSY,GEAR CASE	1					
44	2	129916-01800	SEAL, OIL	1					
45	1	26106-080402	BOLT, M8X 40 PLATED	5					
46	1	26106-080702	BOLT, M8X 70 PLATED	6					
47	1	129900-14140	BEARING, BALL 6205	1					
48	1	129900-26250	BEARING, BALL 6206C3	2					

N:Old $\frac{100}{100}$ New, Q:Old $\frac{100}{100}$ New, R:Old $\frac{100}{100}$ New, S:Old $\frac{100}{100}$ New, W:Add, Z:Discontinued, F:Interchangeable by set, K:Qty Change
 Copyright (C) 2015 YANMAR GLOBAL CS CO., LTD. All Rights Reserved.

OCD50-M01010 ENGINE
 Fig.3. OIL SUMP

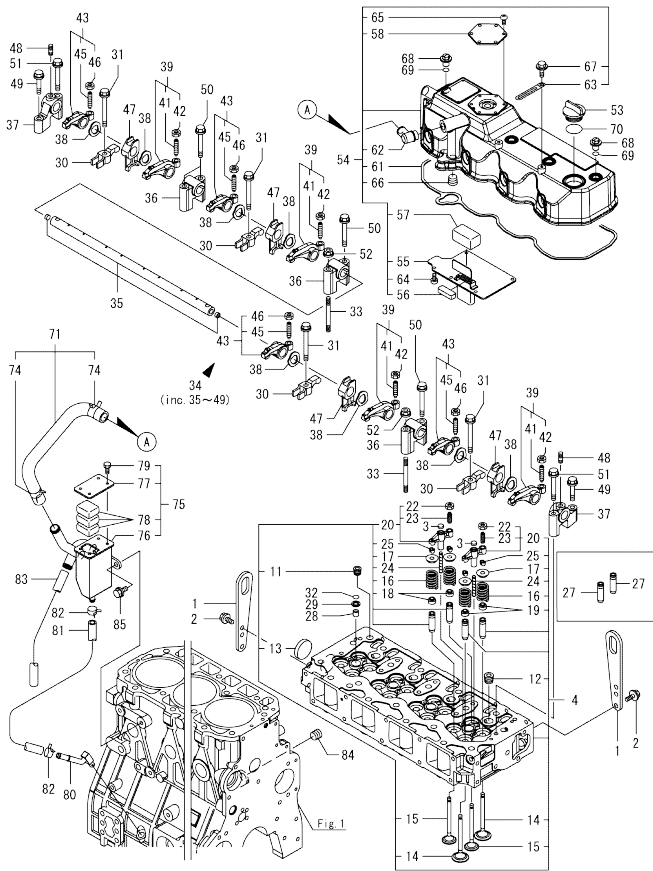
OCD50-M01010 Fig.3



No.	Lev.	Parts No.	Description	Q'ty					
				(A)	(B)	(C)	(D)	(E)	(F)
1	1	129956-01730	OIL PAN	1					
2	1	129972-01731	BOLT, M8X150	2					
3	1	129956-01760	COVER ASSY, OIL SUMP	1					
4	2	105425-01690	PLUG, M16	2					
6	2	22190-160002	WASHER, SEAL 16	2					
7	1	129693-44310	BOLT	16					
8	1	22190-080002	WASHER, SEAL 8	4					
9	1	26106-080252	BOLT, M8X 25 PLATED	14					
10	1	26106-080852	BOLT, M8X 85 PLATED	3					
11	1	129968-01640	CASE ASSY, OIL SEAL	1					
13	2	129916-01790	SEAL, D115/95XT11	1					
14	1	26106-080302	BOLT, M8X 30 PLATED	9					

N:Old $\frac{100}{100}$ New, Q:Old $\frac{100}{100}$ New, R:Old $\frac{100}{100}$ New, S:Old $\frac{100}{100}$ New, W:Add, Z:Discontinued, F:Interchangeable by set, K:Q'ty Change
 Copyright (C) 2015 YANMAR GLOBAL CS CO., LTD. All Rights Reserved.

Fig.4. CYLINDER HEAD & BONNET



(A)=4TNV98T-NAT
(B)=
(C)=

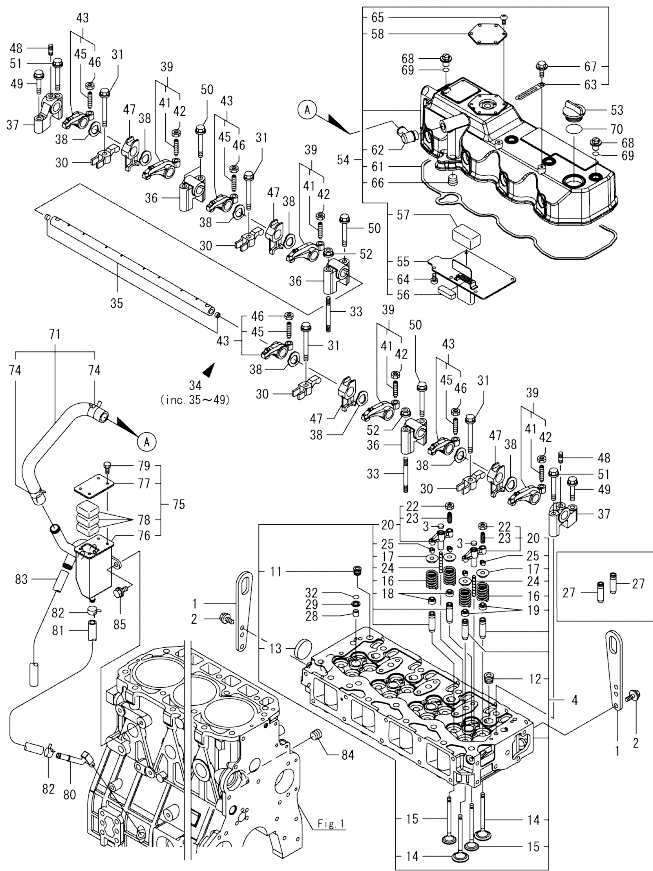
(D)=
(E)=
(F)=

No.	Lev.	Parts No.	Description	Q'ty						I	R
				(A)	(B)	(C)	(D)	(E)	(F)		
1	1	129900-07900	LIFTER, ENGINE	2							
2	1	26106-080162	BOLT, M8X 16 PLATED	4							
3	1	123907-11550	SEAT, VALVE BRIDGE	8							
4	1	129908-11700	HEAD ASSY, CYLINDER	1							
11	2	23876-020000	PLUG, R02	1							
12	2	23876-030000	PLUG, R03	4							
13	2	27241-400000	PLUG, 40	1							
14	2	129907-11100	VALVE, SUCTION	8							
15	2	129907-11110	VALVE, EXHAUST	8							
16	2	129907-11120	SPRING, VALVE	16							
17	2	119620-11180	RETAINER, SPRING	16							
18	2	119803-11340	SEAL, VALVE STEM	8							
19	2	124160-11340	SEAL, VALVE STEM	8							
20	2	129907-11510	BRIDGE ASSY, VALVE	8							
22	3	129150-11750	NUT, M8	8							
23	3	123907-11830	ADJUSTER	8							
24	2	123907-11820	GUIDE, BRIDGE	8							
25	2	27310-070001	COTTER, 7	16							
27	1	129907-11800	GUIDE, VALVE	16							1
28	1	119802-11870	PROTECTOR, NOZZLE	4							
29	1	119625-11880	SEAT, NOZZLE	4							
30	1	129907-11910	RETAINER, NOZZLE	4							
31	1	129907-11950	BOLT, M8X75	4							
32	1	24311-000120	O-RING, 1AP12.0	4							
33	1	119593-11301	BOLT, STUD M8X80	2							
34	1	129907-11341	SHAFT ASSY, ROCKER	1							
35	2	129907-11250	SHAFT, ROCKER ARM	1							
36	2	129907-11260	SUPPORT, ROCKER ARM	3							
37	2	129907-11270	SUPPORT, ROCKER ARM	2							
38	2	123907-11280	WASHER	8							
39	2	129907-11650	ARM ASSY, ROCKER	4							
41	3	129150-11230	SCREW, VALVE ADJUST	4							
42	3	129150-11750	NUT, M8	4							
43	2	129907-11660	ARM ASSY, ROCKER	4							
45	3	129150-11230	SCREW, VALVE ADJUST	4							
46	3	129150-11750	NUT, M8	4							
47	2	129907-11920	RETAINER, NOZZLE	4							
48	2	26226-080222	STUD, M8X 22	2							
49	1	26106-080402	BOLT, M8X 40 PLATED	2							
50	1	26106-080602	BOLT, M8X 60 PLATED	4							
51	1	26106-080602	BOLT, M8X 60 PLATED	2							
52	1	26306-080002	NUT, M8	2							
53	1	124160-01751	CAP, FILLER	1							
54	1	129973-11320	BONNET ASSY, HEAD	1							
55	2	129907-03011	PLATE, BAFFLE	1							
56	2	129907-03061	BAFFLE, BREATHER	1							
57	2	129907-03070	BAFFLE, BREATHER	1							
58	2	123908-03199	PLATE, BREATHER	1							
61	2	129933-11310	GASKET, BONNET	1							
62	2	119100-11330	ELBOW, BREATHER	1							
63	2	129509-79700	CLAMP, 140-M6	1							

Remarks
(1)Spare parts.

N:Old $\frac{New}{Old}$ New, Q:Old $\frac{New}{Old}$ New, R:Old $\frac{New}{Old}$ New, S:Old $\frac{New}{Old}$ New, W:Add, Z:Discontinued, F:Interchangeable by set, K:Q'ty Change
++ CONTINUE ++ Copyright (C) 2015 YANMAR GLOBAL CS CO., LTD. All Rights Reserved.

Fig.4. CYLINDER HEAD & BONNET



(A)=4TNV98T-NAT
(B)=
(C)=

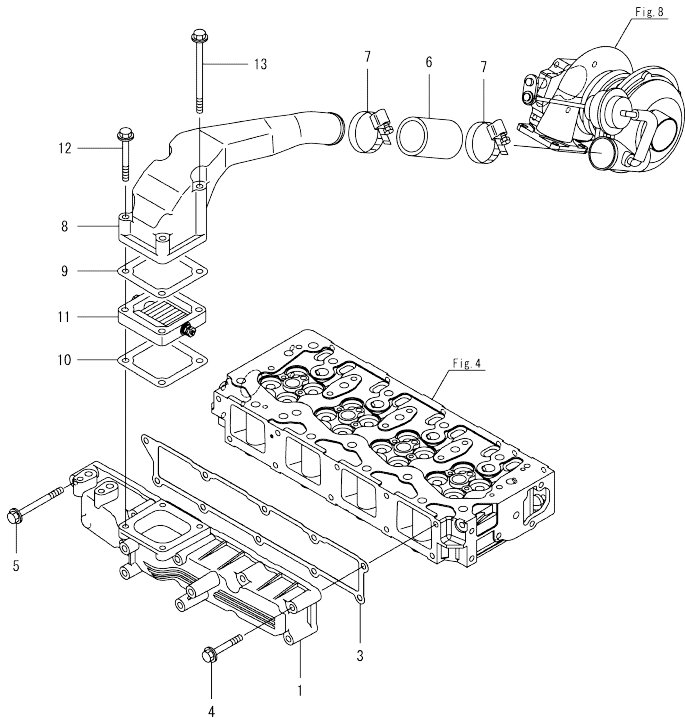
(D)=
(E)=
(F)=

No.	Lev.	Parts No.	Description	Q'ty						I	R		
				(A)	(B)	(C)	(D)	(E)	(F)				
64	2	22857-500100	SCREW, 5X10										
65	2	22857-500120	SCREW, 5X12										
66	2	23876-030000	PLUG, R03										
67	2	26106-060122	BOLT, M6X 12 PLATED										
68	1	124160-11360	KNOB										
69	1	24311-000120	O-RING, 1AP12.0										
70	1	24311-000320	O-RING, 1AP32.0										
71	1	129973-03030	HOSE ASSY, BREATHER										
74	2	129410-03990	CLAMP, HOSE 21.5										
75	1	129972-03200	SEPARATOR ASSY, MIST										
76	2	129972-03210	SEPARATOR, MIST										
77	2	129972-03220	COVER, SEPARATOR										
78	2	123901-03240	FILTER										
79	2	26116-050102	BOLT, M5X 10 PLATED										
80	1	129972-03280	JOINT, BREATHER										
81	1	129972-03310	HOSE										
82	1	23000-022000	CLAMP, 22										
83	1	23065-160500	PIPE, 16X 500										
84	1	23876-030000	PLUG, R03										
85	1	26106-080142	BOLT, M8X 14 PLATED										

Remarks

(1)Spare parts.

Fig.5. SUCTION MANIFOLD



(A)=4TNV98T-NAT
(B)=
(C)=

(D)=
(E)=
(F)=

No.	Lev.	Parts No.	Description	Q'ty						I	R
				(A)	(B)	(C)	(D)	(E)	(F)		
1	1	129907-12100	MANIFOLD, AIR INTAKE	1							
3	1	129907-12110	GASKET, MANIFOLD	1							
4	1	26106-080552	BOLT, M8X 55 PLATED	9							
5	1	26106-080852	BOLT, M8X 85 PLATED	1							
6	1	123951-18220	JOINT, RUBBER	1							
7	1	23000-054000	CLAMP, 54	2							
8	1	129908-18350	DUCT, AIR	1							
9	1	119129-77020	GASKET	1							
10	1	121850-77021	GASKET, AIR HEATER	1							
11	1	119005-77051	HEATER, AIR	1							
12	1	26106-080702	BOLT, M8X 70 PLATED	2							
13	1	26106-081202	BOLT, M8X120 PLATED	2							

OCD50-M01010 ENGINE

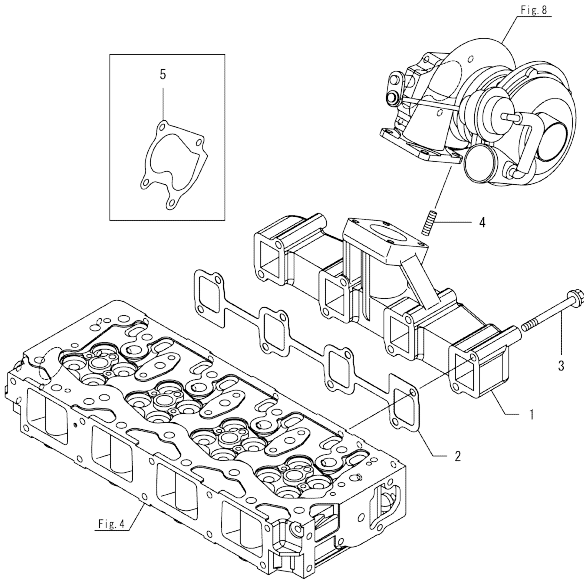
Fig.6. EXHAUST MANIFOLD

OCD50-M01010 Fig.6

(A)=4TNV98T-NAT
(B)=
(C)=

(D)=
(E)=
(F)=

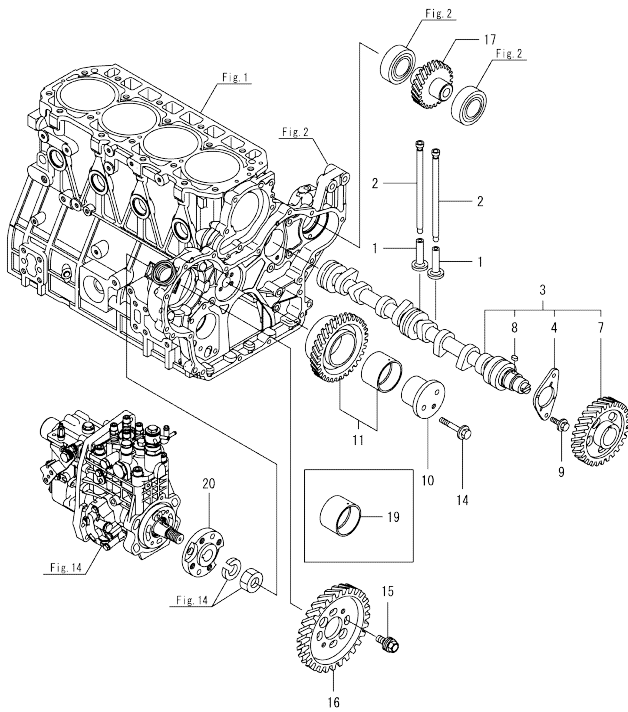
No.	Lev.	Parts No.	Description	Q'ty						I	R
				(A)	(B)	(C)	(D)	(E)	(F)		
1	1	129908-13100	MANIFOLD, EXHAUST	1							
2	1	129900-13251	GASKET, EXH.MANIFOLD	1							
3	1	129E00-13640	BOLT, M8X80 10.9T	8							
4	1	129418-18320	BOLT, STUD M8X20	4							
5	1	123901-18080	GASKET	1							1



Remarks
(1) Loose parts.

N:Old $\frac{100}{100}$ New. Q:Old $\frac{100}{100}$ New. R:Old $\frac{100}{100}$ New. S:Old $\frac{100}{100}$ New. W:Add. Z:Discontinued. F:Interchangeable by set. K:Q'ty Change
Copyright (C) 2015 YANMAR GLOBAL CS CO., LTD. All Rights Reserved.

Fig.7. CAMSHAFT & DRIVING GEAR



(A)=4TNV98T-NAT
(B)=
(C)=

(D)=
(E)=
(F)=

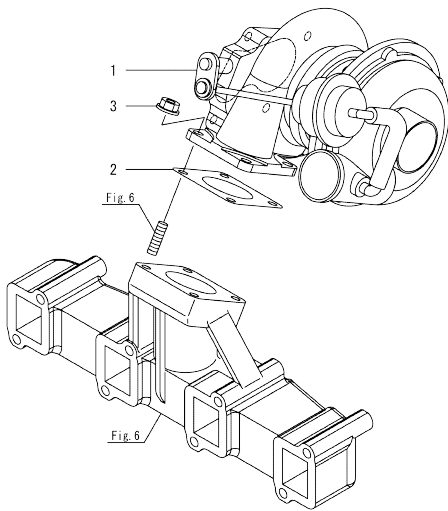
No.	Lev.	Parts No.	Description	Q'ty						I	R
				(A)	(B)	(C)	(D)	(E)	(F)		
1	1	129150-14200	TAPPET	8							
2	1	129907-14400	PUSH-ROD	8							
3	1	129908-14590	CAMSHAFT ASSY	1							
4	2	129150-02450	BEARING, THRUST	1							
7	2	129900-14110	GEAR, CAMSHAFT	1							
8	2	22512-070140	KEY, 7X 14	1							
9	1	26106-080142	BOLT, M8X 14 PLATED	2							
10	1	123900-25060	SHAFT, IDLE GEAR	1							
11	1	129900-25110	GEAR ASSY, IDLE	1							
14	1	26106-080552	BOLT, M8X 55 PLATED	3							
15	1	129953-25300	BOLT	4							
16	1	129907-25900	GEAR, PUMP	1							
17	1	129900-26030	GEAR ASSY, PUMP	1							
19	1	129150-25920	BUSH, IDLE GEAR	1							1
20	1	158563-51150	FLANGE	1							

Remarks

(1)Spare parts.

OCD50-M01010 ENGINE
 Fig.8. TURBINE

OCD50-M01010 Fig.8

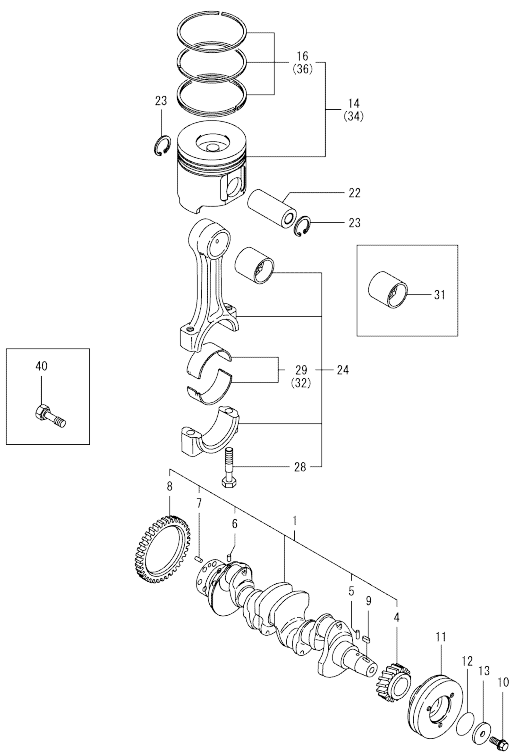


(A)=4TNV98T-NAT
 (B)=
 (C)=

(D)=
 (E)=
 (F)=

No.	Lev.	Parts No.	Description	Q'ty					
				(A)	(B)	(C)	(D)	(E)	(F)
1	1	129908-18010	TURBOCHARGER, RHF5	1					
2	1	129472-18090	GASKET	1					
3	1	26306-080002	NUT, M8	4					

Fig.9. CRANKSHAFT & PISTON



(A)=4TNV98T-NAT
(B)=
(C)=

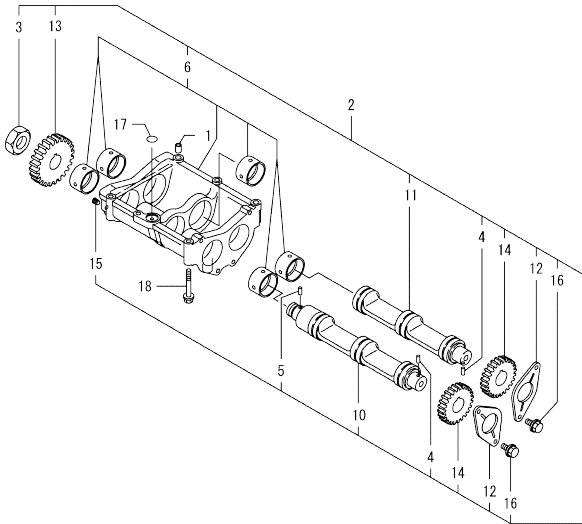
(D)=
(E)=
(F)=

No.	Lev.	Parts No.	Description	Q'ty						I	R
				(A)	(B)	(C)	(D)	(E)	(F)		
1	1	129942-21000	CRANKSHAFT ASSY	1							
4	2	129900-21220	GEAR, CRANKSHAFT	1							
5	2	121850-21290	PIN	1							
6	2	121850-21290	PIN	1							
7	2	121850-21920	PIN, PARALLEL 10X22	1							
8	2	129956-28321	GEAR, BALANCER	1							
9	1	22512-070140	KEY, 7X 14	1							
10	1	129916-21610	BOLT	1							
11	1	129907-21650	V-PULLEY, CRANK 130	1							
12	1	129960-21930	GASKET, WASHER	1							
13	1	129960-21940	WASHER, V-PULLEY	1							
14	1	129908-22080	PISTON ASSY	4							
16	2	129907-22051	RING SET, PISTON	4							
22	1	120130-22301	PIN, PISTON	4							
23	1	22252-000300	RING, 30	8							
24	1	129900-23001	ROD ASSY, CONNECTING	4							
28	2	129900-23200	BOLT, CONNECTING ROD	8							
29	1	129900-23601	BEARING, CRANK PIN	4							
31	1	129900-23911	BEARING, PISTON PIN	4							1
32	1	129900-23611	BEARING ASSY, 0.25US	4							2
34	1	729963-22900	PISTON ASSY, 0.25 OS	4							3
36	2	729907-22950	RING SET, 0.25 OS	4							3
40	1	121850-21130	BOLT, FLYWHEEL	6							4

Remarks
 (1)Spare parts.
 (2)Under-sized(U.S.=0.25) parts.
 (3)Over-sized(O.S.=0.25) parts.
 (4)Loose parts.

OCD50-M01010 ENGINE
 Fig.10. BALANCER

OCD50-M01010 Fig.10



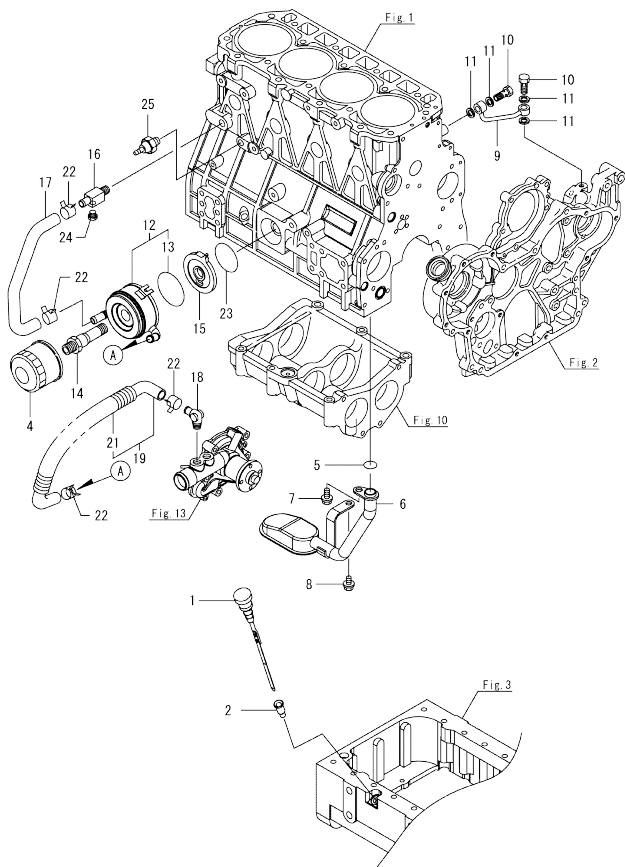
No.	Lev.	Parts No.	Description	Q'ty						I	R
				(A)	(B)	(C)	(D)	(E)	(F)		
1	1	129795-01960	PIPE, DOWEL 11X12	2							
2	1	129956-28009	BALANCER ASSY	1							
2-1	1	129956-28030	BALANCER ASSY	1							R
(A=E120085)											
3	2	128610-14120	NUT, END	1							
4	2	121850-21290	PIN	2							
5	2	121850-21290	PIN	1							
6	2	129956-28019	CASE ASSY, BALANCER	1							
6-1	2	129956-28040	CASE ASSY, BALANCER	1							R
(A=E120085)											
10	2	129956-28101	SHAFT, BALANCER	1							
11	2	129956-28111	SHAFT, BALANCER	1							
12	2	129956-28180	PLATE, THRUST	2							
13	2	129956-28332	GEAR, BALANCER	1							
14	2	129956-28341	GEAR, BALANCER	2							
15	2	23876-005000	PLUG, R005	1							
16	2	26106-080162	BOLT, M8X 16 PLATED	4							
17	1	24311-000200	O-RING, 1AP20.0	1							
18	1	26106-080602	BOLT, M8X 60 PLATED	6							

N:Old $\frac{New}{Old}$ New, Q:Old $\frac{New}{Old}$ New, R:Old $\frac{New}{Old}$ New, S:Old $\frac{New}{Old}$ New, W:Add, Z:Discontinued, F:Interchangeable by set, K:Q'ty Change
 Copyright (C) 2015 YANMAR GLOBAL CS CO., LTD. All Rights Reserved.

Fig.11. LUB. OIL SYSTEM

(A)=4TNV98T-NAT
(B)=
(C)=

(D)=
(E)=
(F)=

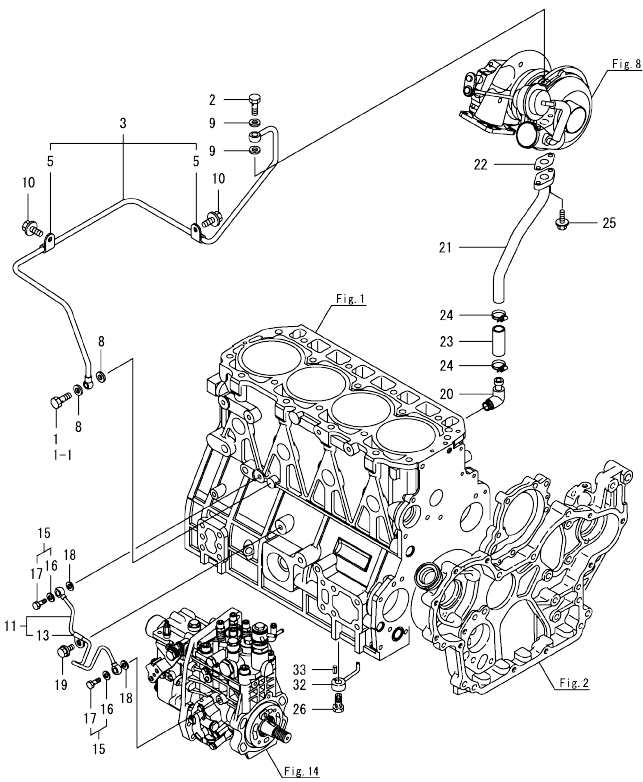


No.	Lev.	Parts No.	Description	Q'ty						I	R
				(A)	(B)	(C)	(D)	(E)	(F)		
1	1	129963-34800	DIPSTICK, OIL	1							
2	1	119860-34810	GUIDE, DIPSTICK	1							
4	1	129150-35153	FILTER ASSY, D80X80L	1							1
5	1	129900-32030	O-RING, P20	1							
6	1	129956-35100	PIPE ASSY, OIL INLET	1							
7	1	26106-080142	BOLT, M8X 14 PLATED	1							
8	1	26106-080202	BOLT, M8X 20 PLATED	1							
9	1	129930-39050	PIPE, OIL	1							
10	1	105010-39140	BOLT, PIPE JOINT	2							
11	1	22190-080002	WASHER, SEAL 8	4							
12	1	129908-33010	COOLER ASSY, OIL	1							
13	2	123912-33050	O-RING	1							
14	1	123912-33100	BOLT, COOLER	1							
15	1	129908-33101	BRACKET, OIL COOLER	1							
16	1	129006-44480	JOINT	1							
17	1	129908-49060	HOSE, WATER	1							
18	1	129466-49300	ELBOW, PT3/8	1							
19	1	123910-49600	HOSE ASSY, WATER	1							
21	2	123910-49610	TUBE, CORRUGATED	1							
22	1	23000-025000	CLAMP, 25	4							
23	1	24321-000600	O-RING, 1AG60.0	1							
24	1	171056-49120	PLUG, DRAIN R1/4	1							
25	1	114250-39450	SWITCH, HYDRAULIC	1							

Remarks

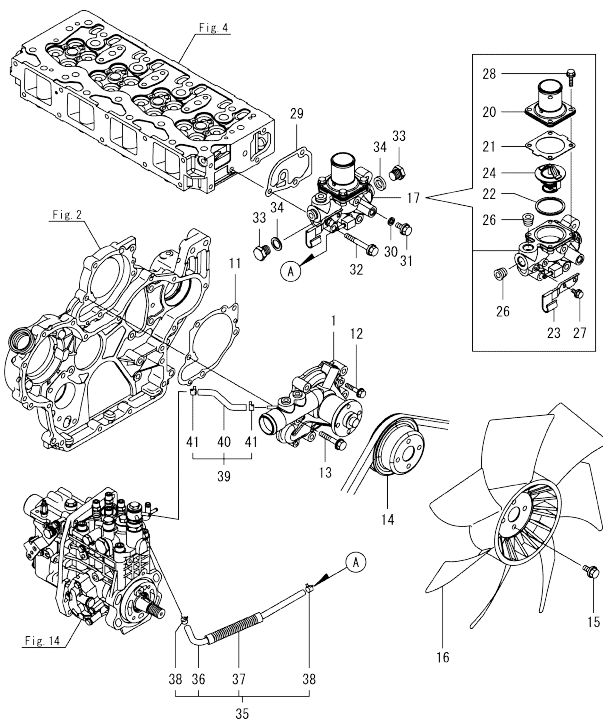
(1)Spare parts.

Fig.12. LUB. OIL PIPE



No.	Lev.	Parts No.	Description	Q'ty						I	R
				(A)	(B)	(C)	(D)	(E)	(F)		
1	1	105010-39140	BOLT, PIPE JOINT	1							
1-1	1	129198-59540	BOLT, PIPE JOINT M8	1							S
(A=2020.06)											
2	1	121252-39150	BOLT, JOINT M10X1.5	1							
3	1	129972-39430	PIPE ASSY, OIL	1							
5	2	124223-39900	RETAINER	2							
8	1	22190-080002	WASHER, SEAL 8	2							
9	1	23414-100000	GASKET, 10X1.0	2							
10	1	26106-080122	BOLT, M8X 12 PLATED	2							
11	1	129907-39061	PIPE ASSY, OIL	1							
13	2	123907-39500	RETAINER, PIPE	1							
15	1	129005-59830	BOLT ASSY, JOINT M8	2							
16	2	22190-080002	WASHER, SEAL 8	2							
17	2	23857-030000	BOLT, JOINT 3	2							
18	1	22190-080002	WASHER, SEAL 8	2							
19	1	26106-080122	BOLT, M8X 12 PLATED	1							
20	1	124070-13300	ELBOW, PT3/8	1							
21	1	129908-39610	PIPE, OIL	1							
22	1	129908-39690	GASKET	1							
23	1	129974-39820	HOSE, LO RETURN	1							
24	1	23000-025000	CLAMP, 25	2							
25	1	26106-060162	BOLT, M6X 16 PLATED	2							
26	1	129908-39410	VALVE ASSY, CHECK	4							
32	1	119000-39650	NOZZLE, COOLING	4							
33	1	22351-030010	PIN, SPRING 3.0X10	4							

Fig.13. COOLING WATER SYSTEM

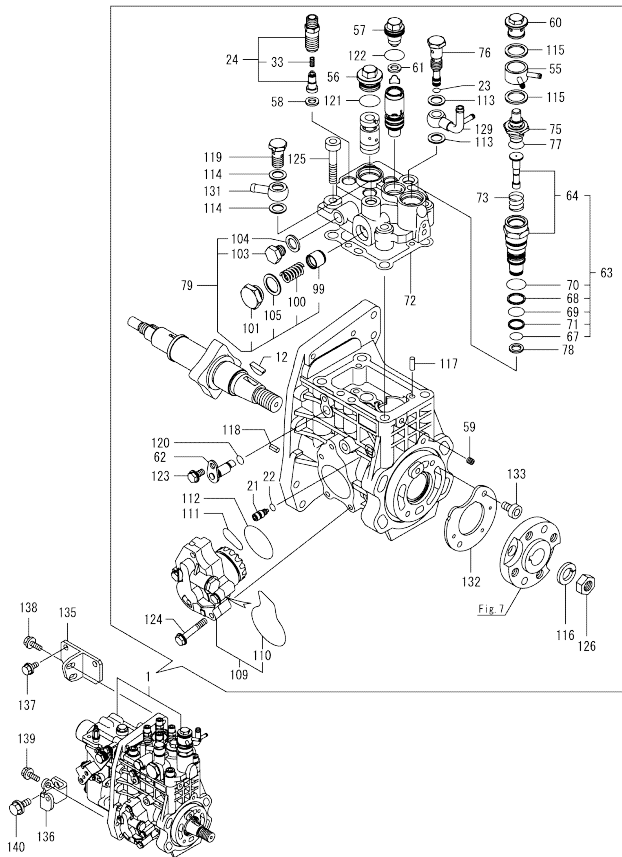


(A)=4TNV98T-NAT
(B)=
(C)=

(D)=
(E)=
(F)=

No.	Lev.	Parts No.	Description	Qty						I	R
				(A)	(B)	(C)	(D)	(E)	(F)		
1	1	129907-42002	PUMP ASSY, CW LOW	1							
11	1	129900-42020	GASKET, WATER PUMP	1							
12	1	26106-060302	BOLT, M6X 30 PLATED	2							
13	1	26106-080552	BOLT, M8X 55 PLATED	5							
14	1	129900-42462	V-PULLEY, PUMP	1							
15	1	26106-080122	BOLT, M8X 12 PLATED	4							
16	1	129907-44740	FAN, COOLING D430X7	1							
17	1	129907-49800	CASE ASSY, THERMOSTAT	1							
20	2	129916-49530	COVER, THERMOSTAT	1							
21	2	121850-49540	GASKET, THERMOSTAT	1							
22	2	121850-49550	GASKET, THERMOSTAT	1							
23	2	129907-49730	RETAINER, PIPE	1							
24	2	121850-49811	THERMOSTAT, 71C	1							
26	2	23875-030000	PLUG, R03	2							
27	2	26106-060122	BOLT, M6X 12 PLATED	1							
28	2	26106-060202	BOLT, M6X 20 PLATED	4							
29	1	129900-49870	GASKET, THERMOSTAT	1							
30	1	23414-080000	GASKET, 8X1.0	1							
31	1	26106-080122	BOLT, M8X 12 PLATED	1							
32	1	26106-080602	BOLT, M8X 60 PLATED	3							
33	1	121450-42450	PLUG, M16	2							
34	1	124465-44950	GASKET, 16	2							
35	1	129907-49610	HOSE ASSY, WATER	1							
36	2	129907-49710	HOSE, WATER	1							
37	2	129907-49750	TUBE, CORRUGATED	1							
38	2	124722-59050	CLAMP, HOSE 9	2							
39	1	129907-49620	HOSE ASSY, WATER	1							
40	2	129907-49720	HOSE, WATER	1							
41	2	124722-59050	CLAMP, HOSE 9	2							

Fig.14. FUEL INJECTION PUMP



(A)=4TNV98T-NAT
(B)=
(C)=

(D)=
(E)=
(F)=

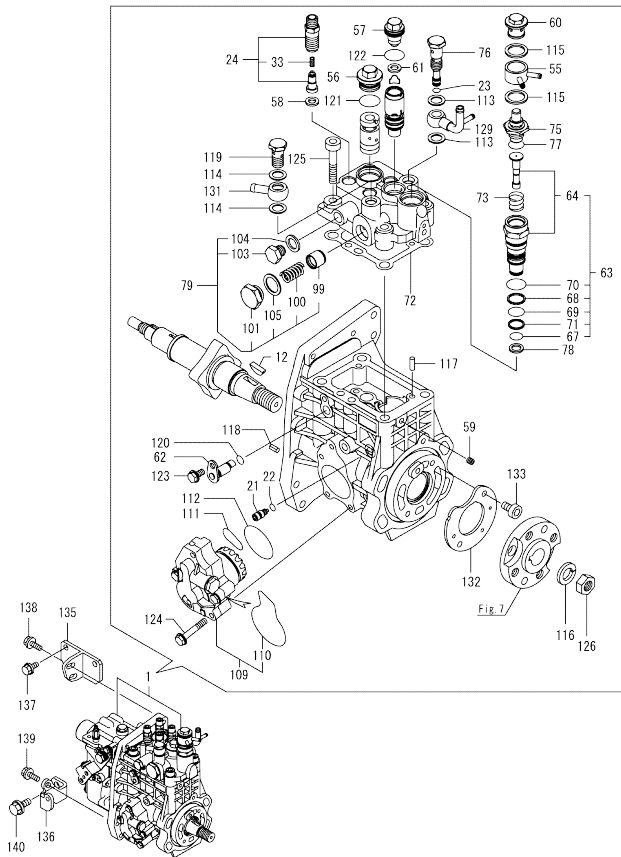
No.	Lev.	Parts No.	Description	Q'ty						I	R	
				(A)	(B)	(C)	(D)	(E)	(F)			
1	1	729908-51310	FIE ASSY	1							1	
12	2	144626-51090	FEATHER KEY, 5X19	1								
21	2	158600-51270	STOPPER, TAPPET	1								
22	2	158563-51281	O-RING, 4D S6	1								
23	2	158563-51281	O-RING, 4D S6	1								
24	2	129509-51390	VALVE ASSY, DELIVERY	4								
33	3	158563-51330	SPRING, DELIVERY	4								
55	2	158553-51551	JOINT, COOLING WATER	1								
56	2	158601-51550	PLUG, M22	1								
57	2	129907-51560	PLUG, M16	1								
58	2	158552-51571	GASKET, PLUG	4								
59	2	158557-51570	PLUG, RACK	1								
60	2	158601-51570	PLUG	1								
61	2	129906-51580	GASKET, PLUG	1								
62	2	158552-51580	LIFTER, LINK	1								
63	2	119802-51590	TIMER ASSY	1								
64	3	119802-51600	TIMER ASSY	1								
67	3	158553-51670	O-RING	1								
68	3	119802-51680	RING, BACKUP	1								
69	3	119802-51690	O-RING	1								
70	3	24356-190200	O-RING, 4D19020	1								
71	3	24372-000150	RING, BACK UP T2P15	1								
72	2	158560-51600	GASKET	1								
73	2	158553-51630	SPRING, TIMER	1								
75	2	158553-51640	THERMOELEMENT	1								
76	2	158601-51650	JOINT, OVER FLOW	1								
77	2	158553-51660	O-RING, P14	1								
78	2	158553-51680	GASKET, TIMER	1								
79	2	129935-51741	HEAD ASSY, HYDRAULIC	1								
99	3	158601-51770	PISTON, ACCUMULATOR	1								
100	3	158552-51781	SPRING, ACCUMULATOR	1								
101	3	158601-51790	PLUG	1								
103	3	158553-51930	PLUG, M12	1								
104	3	22190-120002	WASHER, SEAL 12	1								
105	3	22190-180002	WASHER, SEAL 18	1								
109	2	158552-52100	PUMP ASSY, FUEL FEED	1								
110	3	158552-52500	O-RING	1								
111	2	158552-52311	O-RING	1								
112	2	158552-52400	O-RING, 4E S42	1								
113	2	22190-120002	WASHER, SEAL 12	2								
114	2	22190-120002	WASHER, SEAL 12	2								
115	2	22190-180002	WASHER, SEAL 18	2								
116	2	22217-180000	WASHER, SPRING 18	1								
117	2	22312-050140	PIN, PARALLEL 5X14	2								
118	2	22351-050010	PIN, SPRING 5.0X10	2								
119	2	23857-060000	BOLT, JOINT 6	1								
120	2	24311-000070	O-RING, 1AP7.0	1								
121	2	24356-190200	O-RING, 4D19020	1								
122	2	24356-240210	O-RING, 4D24021	1								
123	2	26106-060102	BOLT, M6X 10 PLATED	1								
124	2	26106-060352	BOLT, M6X 35 PLATED	4								

Remarks

(1)Governor(Fig.15) is incorporated in this Fuel Injection Pump(No.1).

N:Old $\frac{New}{Old}$ New, Q:Old $\frac{New}{Old}$ New, R:Old $\frac{New}{Old}$ New, S:Old $\frac{New}{Old}$ New, W:Add, Z:Discontinued, F:Interchangeable by set, K:Q'ty Change
 ++ CONTINUE ++ Copyright (C) 2015 YANMAR GLOBAL CS CO., LTD. All Rights Reserved.

Fig.14. FUEL INJECTION PUMP



(A)=4TNV98T-NAT
(B)=
(C)=

(D)=
(E)=
(F)=

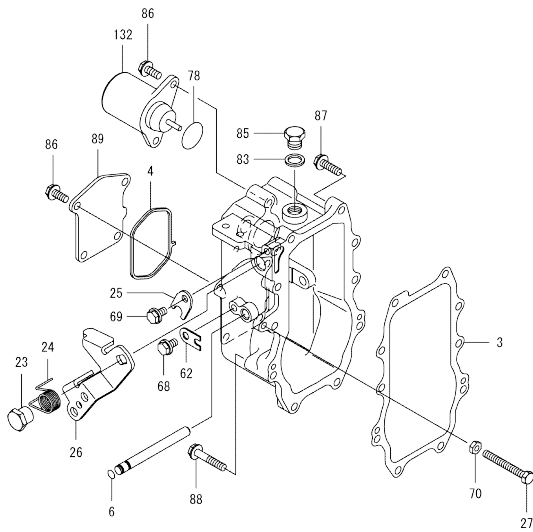
No.	Lev.	Parts No.	Description	Q'ty						I	R
				(A)	(B)	(C)	(D)	(E)	(F)		
125	2	26450-100452	BOLT, M10X 45	4							
126	2	26776-180002	NUT, LOCK M18	1							
129	2	158552-51670	JOINT, OVER FLOW	1							
131	2	129916-59020	JOINT, PIPE 12	1							
132	2	129928-51900	COVER	1							
133	2	129008-51920	BOLT, SOCKET M6X10	2							
135	1	129907-01950	RETAINER, PUMP	1							
136	1	129907-01960	RETAINER, PUMP	1							
137	1	26106-080162	BOLT, M8X 16 PLATED	2							
138	1	26106-080222	BOLT, M8X 22 PLATED	2							
139	1	26106-080222	BOLT, M8X 22 PLATED	1							
140	1	26106-100202	BOLT, M10X 20 PLATED	1							

Remarks

(1)Governor(Fig.15) is incorporated in this Fuel Injection Pump(No.1).

OCD50-M01010 ENGINE
 Fig.15. GOVERNOR

OCD50-M01010 Fig.15



(A)=4TNV98T-NAT
 (B)=
 (C)=

(D)=
 (E)=
 (F)=

No.	Lev.	Parts No.	Description	Q'ty						I	R
				(A)	(B)	(C)	(D)	(E)	(F)		
3	2	158560-61050	GASKET	1							
4	2	158560-61071	GASKET	1							
6	2	129155-51280	O-RING, S6	1							
23	2	129255-61410	NUT, M8	1							
24	2	119807-61420	SPRING, RETURN	1							
25	2	158560-61430	STOPPER, SHAFT	1							
26	2	158560-61442	LEVER, REGULATOR	1							
27	2	129155-61460	BOLT, LIMITING	1							
62	2	119660-61901	STOPPER, SHAFT	1							
68	2	26106-060102	BOLT, M6X 10 PLATED	1							
69	2	26106-060102	BOLT, M6X 10 PLATED	1							
70	2	26756-060002	NUT, LOCK M6	1							
78	2	158552-61900	O-RING	1							
83	2	22190-160002	WASHER, SEAL 16	1							
85	2	23887-160002	PLUG, 16	1							
86	2	26106-060142	BOLT, M6X 14 PLATED	6							
87	2	26106-060252	BOLT, M6X 25 PLATED	8							
88	2	26106-060402	BOLT, M6X 40 PLATED	2							
89	2	158560-61061	COVER, GOVERNOR CASE	1							
132	2	119653-77950	SOLENOID, STOP	1							

Remarks

* This figure(Governor) is incorporated in the Fuel Injection Pump(Fig.14).

N:Old $\frac{100}{100}$ New, Q:Old $\frac{100}{100}$ New, R:Old $\frac{100}{100}$ New, S:Old $\frac{100}{100}$ New, W:Add, Z:Discontinued, F:Interchangeable by set, K:Q'ty Change
 Copyright (C) 2015 YANMAR GLOBAL CS CO., LTD. All Rights Reserved.

Fig.16. FUEL INJECTION VALVE

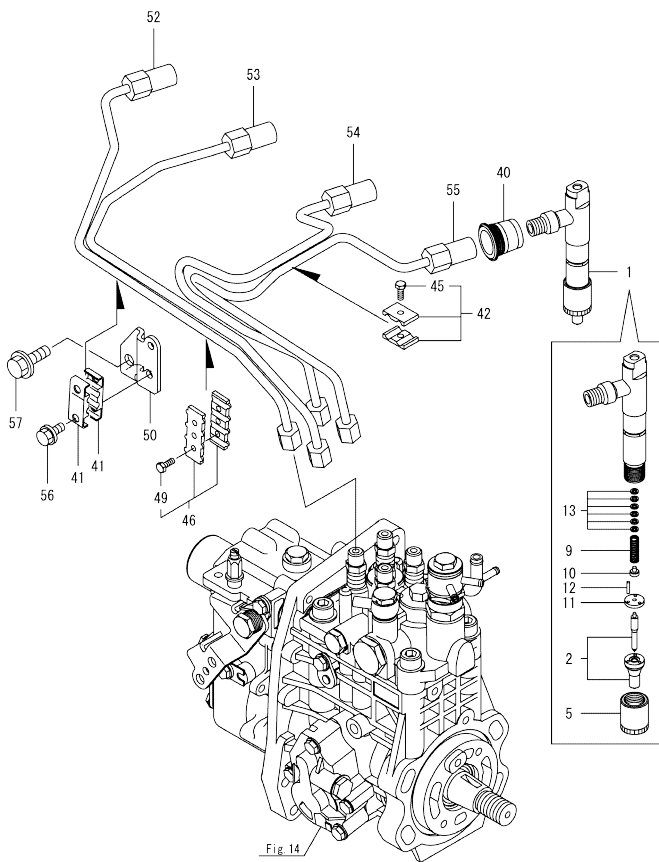
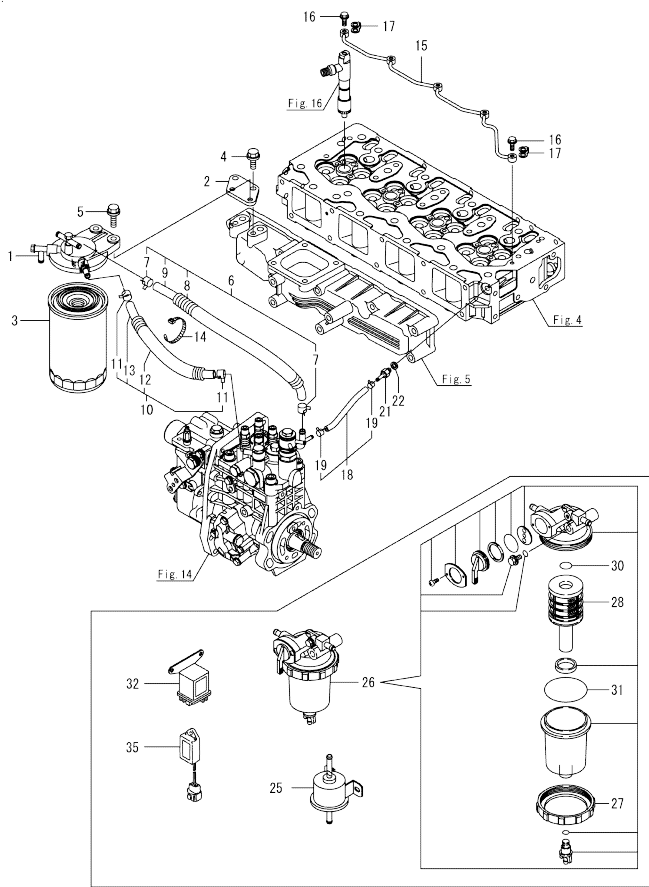


Fig. 14

No.	Lev.	Parts No.	Description	Q'ty						I	R
				(A)	(B)	(C)	(D)	(E)	(F)		
1	1	729908-53100	FUEL INJECTOR ASSY	4							
2	2	129908-53000	NOZZLE ASSY, F.I.	4							
5	2	114250-53080	NUT, NOZZLE	4							
9	2	114250-53120	SPRING, NOZZLE	4							
10	2	114250-53130	SEAT, SPRING	4							
11	2	114250-53140	SPACER	4							
12	2	114250-53210	PIN	8							
13	2	119803-53400	SHIM SET	4							
40	1	123907-11601	SEAL, PIPE	4							
41	1	122780-59100	RETAINER	2							
42	1	119305-59120	RETAINER, PIPE	1							
45	2	129150-59131	BOLT, M4X14	1							
46	1	129550-59120	RETAINER, PIPE	1							
49	2	129150-59131	BOLT, M4X14	2							
50	1	129907-59710	SUPPORT	1							
52	1	129908-59810	PIPE ASSY, INJECTION	1							
53	1	129908-59820	PIPE ASSY, INJECTION	1							
54	1	129908-59830	PIPE ASSY, INJECTION	1							
55	1	129908-59840	PIPE ASSY, INJECTION	1							
56	1	26106-060162	BOLT, M6X 16 PLATED	2							
57	1	26106-080182	BOLT, M8X 18 PLATED	1							

Fig.17. FUEL PIPE



(A)=4TNV98T-NAT
(B)=
(C)=

(D)=
(E)=
(F)=

No.	Lev.	Parts No.	Description	Qty						I	R	
				(A)	(B)	(C)	(D)	(E)	(F)			
1	1	129004-55612	BRACKET, FILTER	1								
2	1	129940-55650	BRACKET, FILTER	1								
3	1	129907-55801	FILTER, FUEL	1								
4	1	26106-080202	BOLT, M8X 20 PLATED	2								
5	1	26106-080302	BOLT, M8X 30 PLATED	2								
6	1	129457-59010	HOSE ASSY, FUEL	1								
7	2	124766-59050	CLAMP, HOSE 11.5	2								
8	2	129957-59120	TUBE, CORRUGATED 15	1								
9	2	105025-59750	HOSE, FUEL	1								
10	1	129981-59010	HOSE ASSY, FUEL	1								
11	2	124766-59050	CLAMP, HOSE 11.5	2								
12	2	129950-59221	TUBE, CORRUGATED 15	1								
13	2	129980-59510	HOSE, FUEL	1								
14	1	121750-59890	BAND, NYLON	1								
15	1	129907-59140	PIPE ASSY, RETURN	1								
16	1	123907-59540	BOLT, PIPE JOINT M6	5								
17	1	123907-59550	GASKET	5								
18	1	129486-59551	HOSE ASSY, RETURN	1								
19	2	124722-59050	CLAMP, HOSE 9	2								
21	1	123907-59560	JOINT, HOSE	1								
22	1	22190-080002	WASHER, SEAL 8	1								
25	1	119225-52102	PUMP, FUEL FEED	1								1
26	1	119802-55700	SEPARATOR ASSY, WATER	1								1
27	2	129100-55690	RING, CUP RETAINING	1								1
28	2	119802-55710	ELEMENT	1								1
30	2	24311-000160	O-RING, 1AP16.0	1								1
31	2	24321-000650	O-RING, 1AG65.0	1								1
32	1	119650-77911	RELAY ASSY, GLOW	1								1
35	1	129211-77920	TIMER	1								1

Remarks

(1) Loose parts.

Parts No. Index

Parts No.	Fig. No.	Ref. No.
105010-39140	11	10
	12	1
105025-59750	17	9
105425-01690	3	4
114250-39450	11	25
114250-53080	16	5
114250-53120	16	9
114250-53130	16	10
114250-53140	16	11
114250-53210	16	12
119000-39650	12	32
119005-77051	5	11
119100-11330	4	62
119129-77020	5	9
119225-52102	17	25
119305-59120	16	42
119593-11301	4	33
119620-11180	4	17
119625-11880	4	29
119650-77911	17	32
119653-77950	15	132
119660-61901	15	62
119802-11870	4	28
119802-51590	14	63
119802-51600	14	64
119802-51680	14	68
119802-51690	14	69
119802-55700	17	26
119802-55710	17	28
119803-11340	4	18
119803-53400	16	13
119807-61420	15	24
119860-34810	11	2
120130-22301	9	22
121023-26071	2	38
121252-39150	12	2
121450-42450	13	33
121750-59890	17	14
121850-21130	9	40
121850-21290	9	5
		6
	10	4
		5
121850-21920	9	7
121850-49540	13	21
121850-49550	13	22
121850-49811	13	24
121850-77021	5	10
122780-59100	16	41
123900-25060	7	10

Parts No.	Fig. No.	Ref. No.
123901-03240	4	78
123901-18080	6	5
123907-11280	4	38
123907-11550	4	3
123907-11601	16	40
123907-11820	4	24
123907-11830	4	23
123907-39500	12	13
123907-59540	17	16
123907-59550	17	17
123907-59560	17	21
123908-03199	4	58
123910-49600	11	19
123910-49610	11	21
123912-33050	11	13
123912-33100	11	14
123951-18220	5	6
124070-13300	12	20
124160-01751	2	32
	4	53
124160-11340	4	19
124160-11360	4	68
124223-39900	12	5
124465-44950	13	34
124722-59050	13	38
		41
	17	19
124766-59050	17	7
		11
128610-14120	10	3
129004-55612	17	1
129005-59830	12	15
129006-44480	11	16
129008-51920	14	133
129100-01580	1	33
		34
	2	1
129100-55690	17	27
129150-02450	7	4
129150-11230	4	41
		45
129150-11750	4	22
		42
		46
129150-14200	7	1
129150-25920	7	19
129150-35153	11	4
129150-59131	16	45
		49
129155-51280	15	6

Parts No.	Fig. No.	Ref. No.
129155-61460	15	27
129198-59540	12	1 -1
129211-77920	17	35
129255-61410	15	23
129410-03990	4	74
129418-18320	6	4
129457-59010	17	6
129466-49300	11	18
129472-18090	8	2
129486-59551	17	18
129509-51390	14	24
129509-79700	4	63
129550-59120	16	46
129693-44310	3	7
129795-01960	10	1
129900-01200	1	31
129900-01250	1	5
129900-02020	1	7
129900-02341	1	35
129900-02410	1	10
129900-02931	1	28
129900-02941	1	38
129900-07900	4	1
129900-13251	6	2
129900-14110	7	7
129900-14140	2	47
129900-21220	9	4
129900-23001	9	24
129900-23200	9	28
129900-23601	9	29
129900-23611	9	32
129900-23911	9	31
129900-25110	7	11
129900-26030	7	17
129900-26250	2	48
129900-32030	2	23
	11	5
129900-32040	2	24
129900-42020	13	11
129900-42462	13	14
129900-49870	13	29
129906-51580	14	61
129907-01331	1	32
129907-01950	14	135
129907-01960	14	136
129907-03011	4	55
129907-03061	4	56
129907-03070	4	57
129907-11100	4	14
129907-11110	4	15

Parts No.	Fig. No.	Ref. No.
129907-11120	4	16
129907-11250	4	35
129907-11260	4	36
129907-11270	4	37
129907-11341	4	34
129907-11510	4	20
129907-11650	4	39
129907-11660	4	43
129907-11800	4	27
129907-11910	4	30
129907-11920	4	47
129907-11950	4	31
129907-12100	5	1
129907-12110	5	3
129907-14400	7	2
129907-21650	9	11
129907-22051	9	16
129907-25900	7	16
129907-39061	12	11
129907-42002	13	1
129907-44740	13	16
129907-49610	13	35
129907-49620	13	39
129907-49710	13	36
129907-49720	13	40
129907-49730	13	23
129907-49750	13	37
129907-49800	13	17
129907-51560	14	57
129907-55801	17	3
129907-59140	17	15
129907-59710	16	50
129908-11700	4	4
129908-13100	6	1
129908-14590	7	3
129908-18010	8	1
129908-18350	5	8
129908-22080	9	14
129908-32060	2	10
129908-33010	11	12
129908-33101	11	15
129908-39410	12	26
129908-39610	12	21
129908-39690	12	22
129908-49060	11	17
129908-53000	16	2
129908-59810	16	52
129908-59820	16	53
129908-59830	16	54
129908-59840	16	55

Parts No. Index

Parts No.	Fig. No.	Ref. No.
129916-01790	3	13
129916-01800	2	44
129916-21610	9	10
129916-49530	13	20
129916-59020	14	131
129927-42140	2	25
129928-51900	14	132
129930-39050	11	9
129933-01500	2	3
129933-11310	4	61
129935-51741	14	79
129940-55650	17	2
129942-21000	9	1
129950-59221	17	12
129951-01740	2	34
129953-25300	7	15
129956-01710	1	12
129956-01730	3	1
129956-01760	3	3
129956-28009	10	2
129956-28019	10	6
129956-28030	10	2 -1
129956-28040	10	6 -1
129956-28101	10	10
129956-28111	10	11
129956-28180	10	12
129956-28321	9	8
129956-28332	10	13
129956-28341	10	14
129956-35100	11	6
129957-59120	17	8
129960-21930	9	12
129960-21940	9	13
129963-34800	11	1
129968-01640	3	11
129972-01731	3	2
129972-03200	4	75
129972-03210	4	76
129972-03220	4	77
129972-03280	4	80
129972-03310	4	81
129972-39430	12	3
129973-03030	4	71
129973-11320	4	54
129974-39820	12	23
129980-59510	17	13
129981-59010	17	10
129E00-13640	6	3
144626-51090	14	12
158552-51571	14	58

Parts No.	Fig. No.	Ref. No.
158552-51580	14	62
158552-51670	14	129
158552-51781	14	100
158552-52100	14	109
158552-52311	14	111
158552-52400	14	112
158552-52500	14	110
158552-61900	15	78
158553-51551	14	55
158553-51630	14	73
158553-51640	14	75
158553-51660	14	77
158553-51670	14	67
158553-51680	14	78
158553-51930	14	103
158557-51570	14	59
158560-51600	14	72
158560-61050	15	3
158560-61061	15	89
158560-61071	15	4
158560-61430	15	25
158560-61442	15	26
158563-51150	7	20
158563-51281	14	22
		23
158563-51330	14	33
158600-51270	14	21
158601-51550	14	56
158601-51570	14	60
158601-51650	14	76
158601-51770	14	99
158601-51790	14	101
171051-01921	1	6
171056-49120	11	24
22190-080002	3	8
	11	11
	12	8
	16	16
	18	18
	17	22
22190-120002	14	104
		113
		114
22190-160002	3	6
	15	83
22190-180002	14	105
		115
22217-180000	14	116
22252-000300	9	23
22312-050140	14	117

Parts No.	Fig. No.	Ref. No.
22351-030010	12	33
22351-050010	14	118
22351-060012	1	13
22512-070140	7	8
	9	9
22857-500100	4	64
22857-500120	4	65
23000-022000	4	82
23000-025000	11	22
	12	24
23000-054000	5	7
23065-160500	4	83
23414-080000	13	30
23414-100000	12	9
23857-030000	12	17
23857-060000	14	119
23875-030000	13	26
23876-005000	10	15
23876-020000	4	11
23876-030000	1	14
		15
	4	12
		66
		84
23887-160002	15	85
24311-000070	2	26
	14	120
24311-000120	4	32
		69
24311-000160	17	30
24311-000200	10	17
24311-000320	2	33
	4	70
24321-000600	11	23
24321-000650	17	31
24321-000850	2	39
24351-030750	2	27
24356-190200	14	70
		121
24356-240210	14	122
24372-000150	14	71
26106-060102	14	123
	15	68
		69
26106-060122	4	67
	13	27
26106-060142	15	86
26106-060162	12	25
	16	56
26106-060202	13	28

Parts No.	Fig. No.	Ref. No.
26106-060252	15	87
26106-060302	13	12
26106-060352	14	124
26106-060402	15	88
26106-080122	12	10
		19
		15
	13	31
26106-080142	4	85
	7	9
	11	7
26106-080162	2	28
	4	2
	10	16
	14	137
26106-080182	16	57
26106-080202	2	29
		35
	11	8
	17	4
26106-080222	14	138
		139
26106-080252	3	9
26106-080302	3	14
	17	5
26106-080402	2	45
	4	49
26106-080452	2	30
		36
26106-080552	5	4
	7	14
	13	13
26106-080602	4	50
		51
	10	18
	13	32
26106-080702	2	46
	5	12
26106-080752	2	37
26106-080852	3	10
	5	5
26106-081202	5	13
26106-100202	2	40
	14	140
26116-050102	4	79
26216-100302	2	22
26226-080222	4	48
26306-080002	4	52
	8	3
26306-100002	2	31

Parts No. Index

Parts No.	Fig. No.	Ref. No.
26450-100452	14	125
26756-060002	15	70
26776-180002	14	126
27241-300000	1	11
27241-400000	4	13
27310-070001	4	25
729900-02801	1	25
729907-01559	2	41
729907-22950	9	36
729908-51310	14	1
729908-53100	16	1
729963-22900	9	34
729972-01560	1	1

Parts No.	Fig. No.	Ref. No.
-----------	----------	----------

Parts No.	Fig. No.	Ref. No.
-----------	----------	----------

Parts No.	Fig. No.	Ref. No.
-----------	----------	----------