

0CD11-M18200EN

P R E F A C E

1. This parts catalog is the 1st edition of 4TNV98-APTB for Takeuchi.

Pub. No. : 0CD11-G18200

Published : February, 2013

2. Model name

Engine model	Vehicle	Vehicle made by
4TNV98-APTB	EXCAVATOR	Takeuchi

Contents

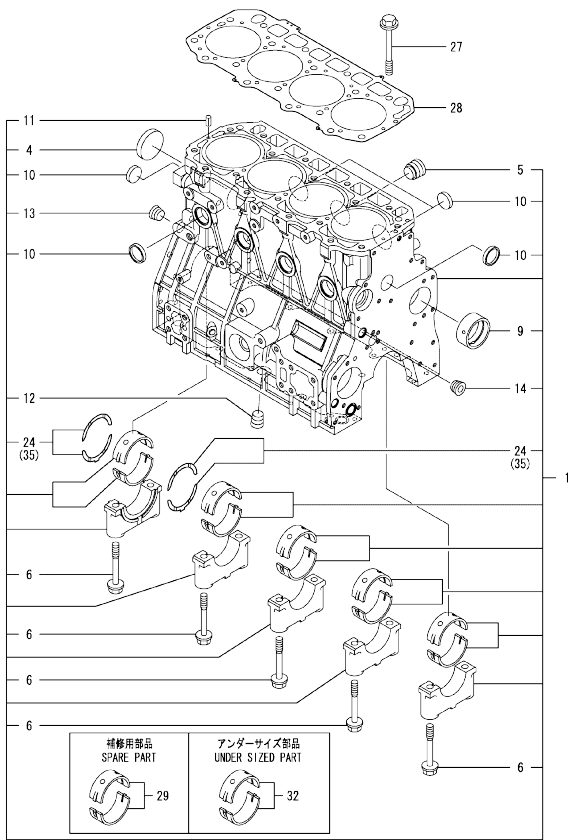
OCD11-M18200

Fig. No.	Fig. Name	Fig. No.	Fig. Name
4TNV98-APT8			
1.	CYLINDER BLOCK		
2.	GEAR HOUSING		
3.	FLYWHEEL HOUSING & OIL SUMP		
4.	CYLINDER HEAD & BONNET		
5.	SUCTION MANIFOLD		
6.	EXHAUST MANIFOLD & SILENCER		
7.	CAMSHAFT & DRIVING GEAR		
8.	CRANKSHAFT & PISTON		
9.	LUB. OIL SYSTEM		
10.	COOLING WATER SYSTEM		
11.	FUEL INJECTION PUMP		
12.	GOVERNOR		
13.	FUEL INJECTION VALVE		
14.	FUEL LINE		
15.	STARTING MOTOR		
16.	GENERATOR		
17.	ELECTRONIC CONTROL UNIT (ECU)		
18.	GASKET SET		

Fig.1. CYLINDER BLOCK

(A)=4TNV98-APT8
(B)=
(C)=

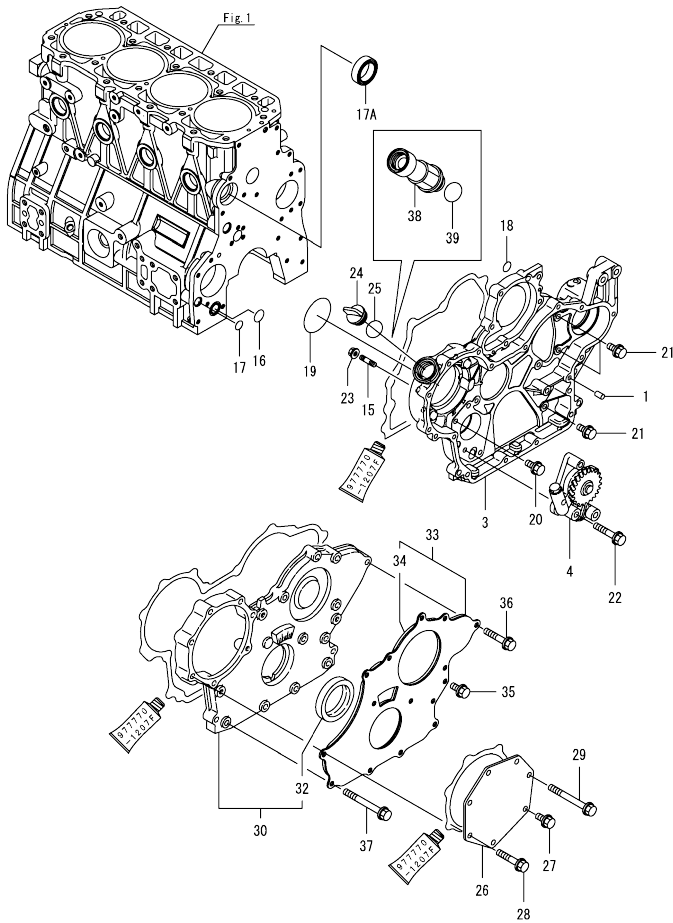
(D)=
(E)=
(F)=



No.	Lev.	Parts No.	Description	Q'ty						I	R
				(A)	(B)	(C)	(D)	(E)	(F)		
1	1	729927-01560	BLOCK ASSY, CYLINDER	1							
4	2	129900-01250	PLUG, DISH TYPE 55	1							
5	2	171051-01921	PLUG, NPTF1	1							
6	2	129900-02020	BOLT, METAL CAP	10							
9	2	129900-02410	BUSH, CAMSHAFT	1							
10	2	27241-300000	PLUG 30	8							
11	2	22351-060012	PIN, SPRING 6.0X12	2							
12	2	23876-030000	PLUG, R03	1							
13	2	23876-030000	PLUG, R03	1							
14	2	23876-030000	PLUG, R03	1							
24	2	129900-02931	BEARING ASSY, THRUST	2							
27	1	129900-01200	BOLT, CYLINDER HEAD	18							
28	1	129907-01331	GASKET, HEAD	1							
29	1	729900-02801	BEARING, MAIN	5							1
32	1	129900-02341	BEARING ASSY, MAIN	5							2
35	1	129900-02941	BEARING, THRUST 0.25	2							3

Remarks
(1)Spare part.
(2)Under-sized(U.S.=0.25)part.
(3)Over-sized(O.S.=0.25)part.

Fig.2. GEAR HOUSING

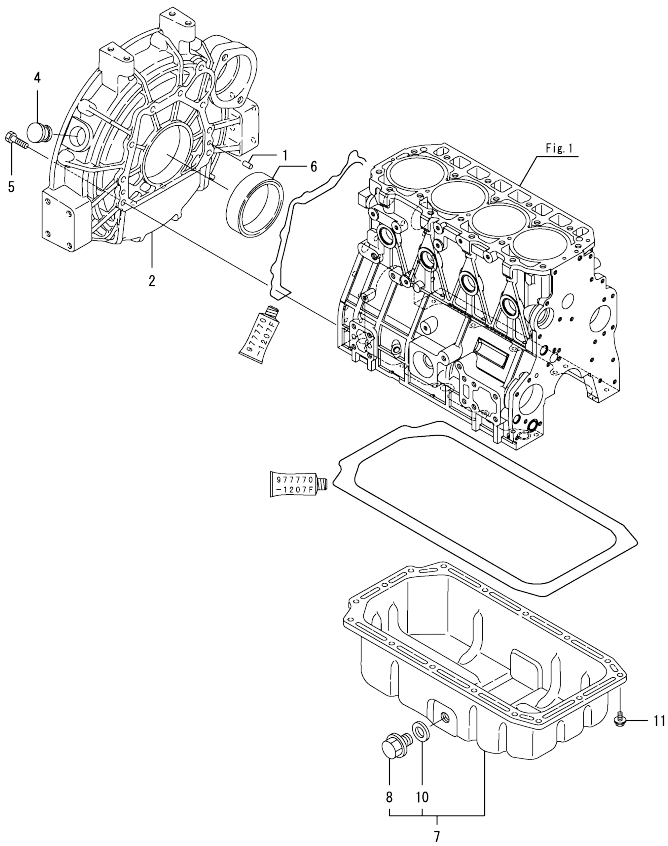


(A)=4TNV98-APT8
(B)=
(C)=

(D)=
(E)=
(F)=

No.	Lev.	Parts No.	Description	Qty						I	R
				(A)	(B)	(C)	(D)	(E)	(F)		
1	1	129100-01580	PIN, PARALLEL 8X16	4							
3	1	129944-01500	CASE, GEAR	1							
4	1	129900-32001	PUMP ASSY, OIL	1							
15	1	26216-100302	STUD, M10X 30	4							
16	1	129900-32030	O-RING, P20	1							
17	1	129900-32040	O-RING, P14	1							
17A	1	129927-42140	GASKET, PUMP OUTLET	1							W
(A=2014.09)											
18	1	24311-000070	O-RING, 1AP7.0	1							
19	1	24351-030750	O-RING, 1A3075	1							
20	1	26106-080162	BOLT, M8X 16 PLATED	1							
21	1	26106-080202	BOLT, M8X 20 PLATED	3							
22	1	26106-080452	BOLT, M8X 45 PLATED	3							
23	1	26306-100002	NUT, M10	4							
24	1	124160-01751	CAP, FILLER	1							
25	1	24311-000320	O-RING, 1AP32.0	1							
26	1	129951-01740	COVER	1							
27	1	26106-080202	BOLT, M8X 20 PLATED	1							
28	1	26106-080452	BOLT, M8X 45 PLATED	5							
29	1	26106-080752	BOLT, M8X 75 PLATED	1							
30	1	729907-01559	COVER ASSY,GEAR CASE	1							
32	2	129916-01800	SEAL, OIL	1							
33	1	129900-01850	COVER ASSY,GEAR CASE	1							
34	2	129900-01870	SPONGE, GEAR CASE	1							
35	1	26106-080162	BOLT, M8X 16 PLATED	3							
36	1	26106-080402	BOLT, M8X 40 PLATED	5							
37	1	26106-080702	BOLT, M8X 70 PLATED	6							
38	1	171031-11741	PIPE	1							W
(A=EZZZZZ)											
39	1	24311-000320	O-RING, 1AP32.0	1							W
(A=EZZZZZ)											

Fig.3. FLYWHEEL HOUSING & OIL SUMP

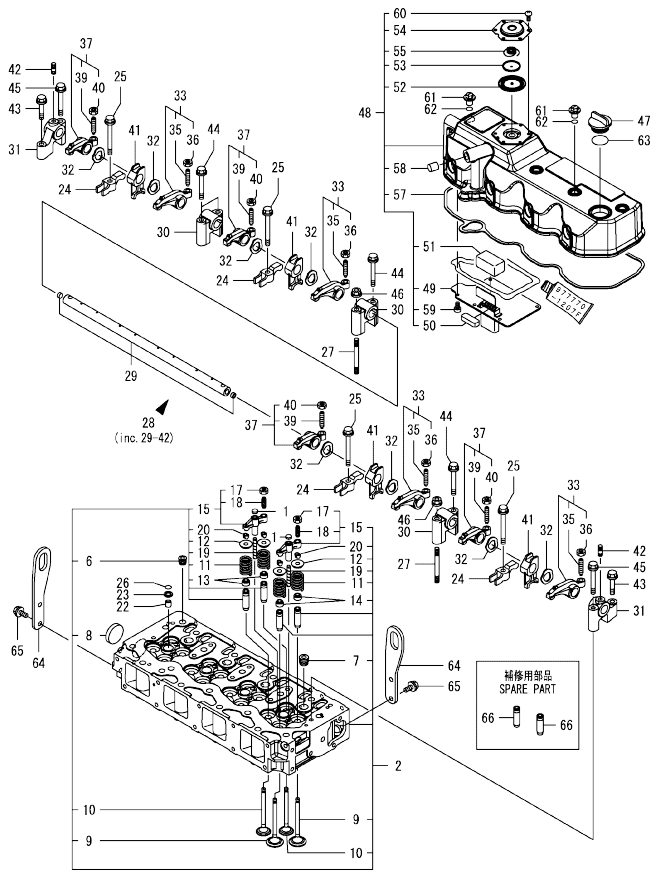


(A)=4TNV98-APT8
(B)=
(C)=

(D)=
(E)=
(F)=

No.	Lev.	Parts No.	Description	Q'ty						I	R
				(A)	(B)	(C)	(D)	(E)	(F)		
1	1	129100-01580	PIN, PARALLEL 8X16	2							
2	1	129951-01620	HOUSING, FLYWHEEL	1							
4	1	119000-01840	PLUG, RUBBER	1							
5	1	26206-100352	BOLT, M10X 35 PLATED	9							
6	1	129916-01790	SEAL, D115/95XT11	1							
7	1	129902-01710	OIL PAN ASSY	1							
8	2	119640-01640	PLUG, DRAIN M22	1							
10	2	22190-220002	WASHER, SEAL 22	1							
11	1	26106-080122	BOLT, M8X 12 PLATED	16							

Fig.4. CYLINDER HEAD & BONNET



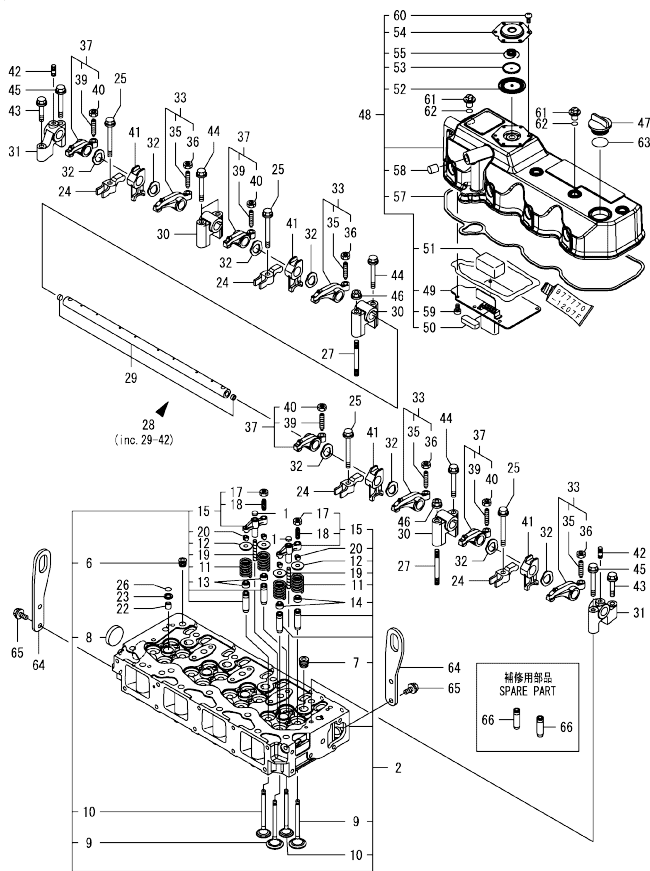
(A)=4TNV98-APT8
(B)=
(C)=

(D)=
(E)=
(F)=

No.	Lev.	Parts No.	Description	Q'ty						I	R
				(A)	(B)	(C)	(D)	(E)	(F)		
1	1	123907-11550	SEAT, VALVE BRIDGE	8							
2	1	129927-11700	HEAD ASSY, CYLINDER	1							
6	2	23876-020000	PLUG, R02	1							
7	2	23876-030000	PLUG, R03	4							
8	2	27241-400000	PLUG, 40	1							
9	2	129907-11100	VALVE, SUCTION	8							
10	2	129907-11110	VALVE, EXHAUST	8							
11	2	129907-11120	SPRING, VALVE	16							
12	2	119620-11180	RETAINER, SPRING	16							
13	2	119803-11340	SEAL, VALVE STEM	8							
14	2	124160-11340	SEAL, VALVE STEM	8							
15	2	129907-11510	BRIDGE ASSY, VALVE	8							
17	3	129150-11750	NUT, M8	8							
18	3	123907-11830	ADJUSTER	8							
19	2	123907-11820	GUIDE, BRIDGE	8							
20	2	27310-070001	COTTER, 7	16							
22	1	119802-11870	PROTECTOR, NOZZLE	4							
23	1	119625-11880	SEAT, NOZZLE	4							
24	1	129907-11910	RETAINER, NOZZLE	4							
25	1	129907-11950	BOLT, M8X75	4							
26	1	24311-000120	O-RING, 1AP12.0	4							
27	1	119593-11301	BOLT, STUD M8X80	2							
28	1	129907-11341	SHAFT ASSY, ROCKER	1							
29	2	129907-11250	SHAFT, ROCKER ARM	1							
30	2	129907-11260	SUPPORT, ROCKER ARM	3							
31	2	129907-11270	SUPPORT, ROCKER ARM	2							
32	2	123907-11280	WASHER	8							
33	2	129907-11650	ARM ASSY, ROCKER	4							
35	3	129150-11230	SCREW, VALVE ADJUST	4							
36	3	129150-11750	NUT, M8	4							
37	2	129907-11660	ARM ASSY, ROCKER	4							
39	3	129150-11230	SCREW, VALVE ADJUST	4							
40	3	129150-11750	NUT, M8	4							
41	2	129907-11920	RETAINER, NOZZLE	4							
42	2	26226-080222	STUD, M8X 22	2							
43	1	26106-080402	BOLT, M8X 40 PLATED	2							
44	1	26106-080602	BOLT, M8X 60 PLATED	4							
45	1	26106-080602	BOLT, M8X 60 PLATED	2							
46	1	26306-080002	NUT, M8	2							
47	1	124160-01751	CAP, FILLER	1							
48	1	129907-11321	BONNET ASSY, HEAD	1							
49	2	129907-03011	PLATE, BAFFLE	1							
50	2	129907-03061	BAFFLE, BREATHER	1							
51	2	129907-03070	BAFFLE, BREATHER	1							
52	2	123907-03100	DIAPHRAGM	1							
53	2	123907-03110	PLATE	1							
54	2	123907-03120	PLATE, BREATHER	1							
55	2	123907-03140	SPRING, DIAPHRAGM	1							
57	2	129933-11310	GASKET, BONNET	1							
58	2	119640-61400	PLUG	1							
59	2	22857-500100	SCREW, 5X10	6							

Remarks
(1)Spare part.

Fig.4. CYLINDER HEAD & BONNET



(A)=4TNV98-APT8
(B)=
(C)=

(D)=
(E)=
(F)=

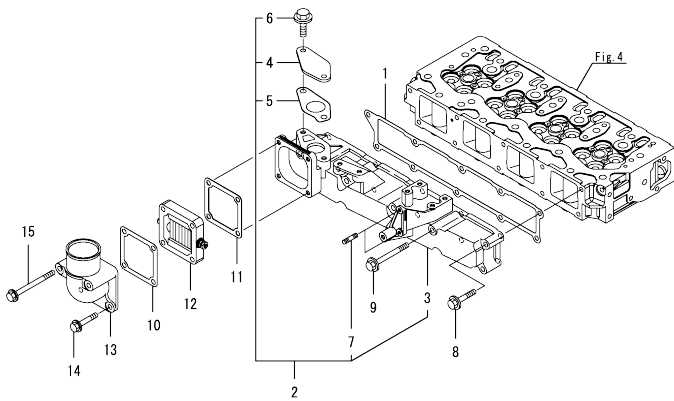
No.	Lev.	Parts No.	Description	Q'ty						I	R
				(A)	(B)	(C)	(D)	(E)	(F)		
60	2	22857-500100	SCREW, 5X10	6							
61	1	124160-11360	KNOB	4							
62	1	24311-000120	O-RING, 1AP12.0	4							
63	1	24311-000320	O-RING, 1AP32.0	1							
64	1	129907-07900	LIFTER, ENGINE	2							
65	1	26106-080162	BOLT, M8X 16 PLATED	4							
66	1	129907-11800	GUIDE, VALVE	16							1

Remarks
(1)Spare part.

Fig.5. SUCTION MANIFOLD

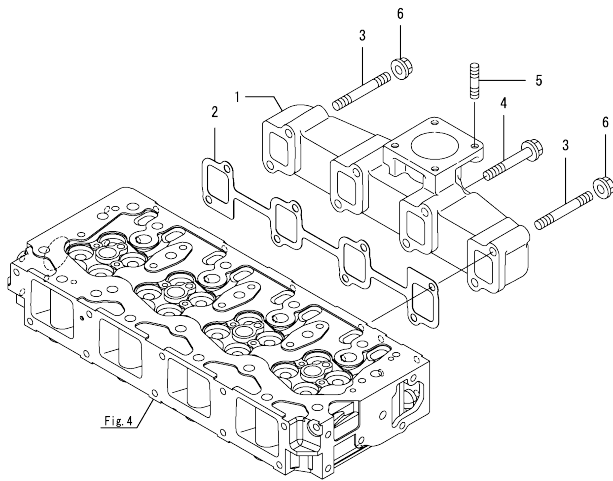
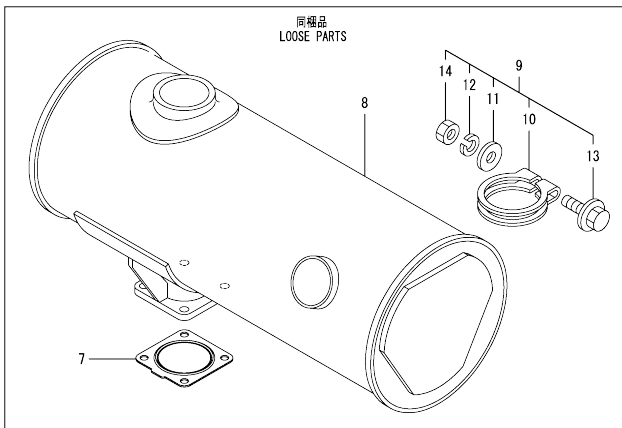
(A)=4TNV98-APT8
(B)=
(C)=

(D)=
(E)=
(F)=



No.	Lev.	Parts No.	Description	Q'ty					
				(A)	(B)	(C)	(D)	(E)	(F)
1	1	129907-12110	GASKET, MANIFOLD	1					
2	1	129940-12150	MANIFOLD ASSY,INTAKE	1					
3	2	129927-12100	MANIFOLD, AIR INTAKE	1					
4	2	129940-12110	COVER, MANIFOLD	1					
5	2	129927-13920	GASKET, EGR	1					
6	2	26106-100202	BOLT, M10X 20 PLATED	2					
7	2	26216-060202	STUD, M6X 20	2					
8	1	26106-080452	BOLT, M8X 45 PLATED	6					
9	1	26106-080802	BOLT, M8X 80 PLATED	4					
10	1	119129-77020	GASKET	1					
11	1	121850-77021	GASKET, AIR HEATER	1					
12	1	119005-77051	HEATER, AIR	1					
13	1	119129-77520	BEND	1					
14	1	26106-080402	BOLT, M8X 40 PLATED	2					
15	1	26106-080902	BOLT, M8X 90 PLATED	2					

Fig.6. EXHAUST MANIFOLD & SILENCER

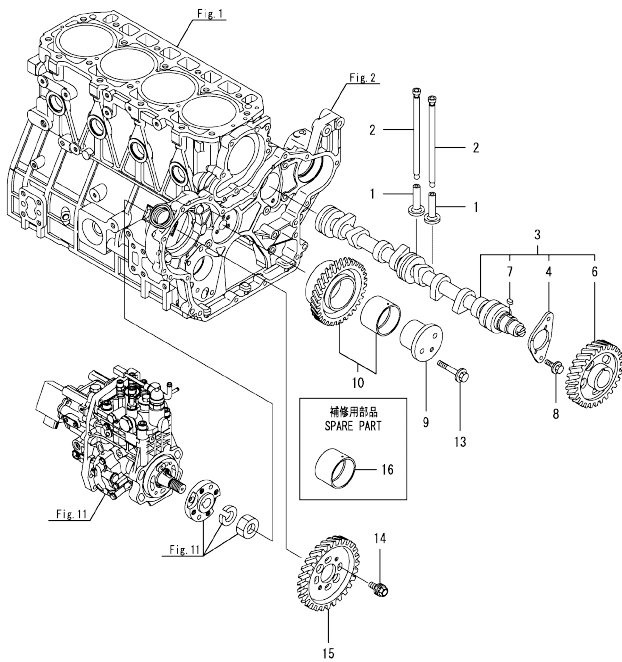


(A)=4TNV98-APT8
(B)=
(C)=

(D)=
(E)=
(F)=

No.	Lev.	Parts No.	Description	Q'ty					
				(A)	(B)	(C)	(D)	(E)	(F)
1	1	129900-13200	MANIFOLD, EXHAUST	1					
2	1	129900-13251	GASKET, EXH.MANIFOLD	1					
3	1	123900-13610	BOLT, STUD M8X80	2					
4	1	123900-13630	BOLT, M8X80	6					
5	1	119131-18320	BOLT, STUD M8X22	4					
6	1	26306-080002	NUT, M8	2					
7	1	129930-13201	GASKET, SILENCER	2					
8	1	129940-13500	SILENCER	1					
9	1	129640-13590	CLAMP ASSY	1					
10	2	129640-13580	CLAMP	1					
11	2	22117-100000	WASHER, 10	1					
12	2	22217-100000	WASHER, SPRING 10	1					
13	2	26106-100652	BOLT, M10X 65 PLATED	1					
14	2	26706-100002	NUT, M10	1					

Fig.7. CAMSHAFT & DRIVING GEAR



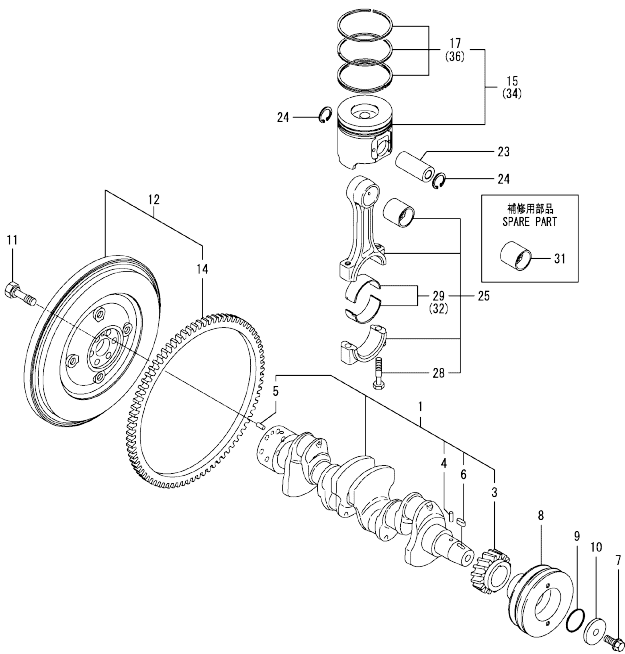
(A)=4TNV98-APT8
(B)=
(C)=

(D)=
(E)=
(F)=

No.	Lev.	Parts No.	Description	Q'ty						I	R
				(A)	(B)	(C)	(D)	(E)	(F)		
1	1	129150-14200	TAPPET	8							
2	1	129907-14400	PUSH-ROD	8							
3	1	129908-14581	CAMSHAFT ASSY	1							
4	2	129150-02450	BEARING, THRUST	1							
6	2	129900-14100	GEAR, CAMSHAFT	1							
7	2	22512-070140	KEY, 7X 14	1							
8	1	26106-080162	BOLT, M8X 16 PLATED	2							
9	1	123900-25060	SHAFT, IDLE GEAR	1							
10	1	129900-25100	GEAR ASSY, IDLE	1							
13	1	26106-080552	BOLT, M8X 55 PLATED	3							
14	1	129953-25300	BOLT	4							
15	1	129907-25900	GEAR, PUMP	1							
16	1	129150-25920	BUSH, IDLE GEAR	1							1

Remarks
(1)Spare part.

Fig.8. CRANKSHAFT & PISTON



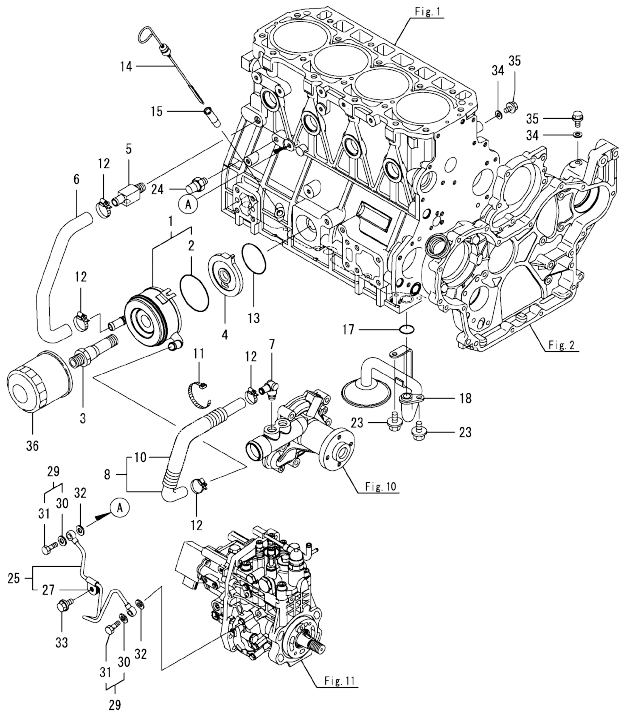
(A)=4TNV98-APT8
(B)=
(C)=

(D)=
(E)=
(F)=

No.	Lev.	Parts No.	Description	Q'ty						I	R
				(A)	(B)	(C)	(D)	(E)	(F)		
1	1	129902-21000	CRANKSHAFT ASSY	1							
3	2	129900-21200	GEAR, CRANKSHAFT	1							
4	2	121850-21290	PIN	1							
5	2	121850-21920	PIN, PARALLEL 10X22	1							
6	2	22512-070140	KEY, 7X 14	1							
7	1	129916-21610	BOLT	1							
8	1	129948-21610	V-PULLEY, CRANKSHAFT	1							
9	1	129960-21930	GASKET, WASHER	1							
10	1	129960-21940	WASHER, V-PULLEY	1							
11	1	121850-21130	BOLT, FLYWHEEL	6							
12	1	129948-21590	FLYWHEEL ASSY	1							
14	2	127410-21480	GEAR, RING Z=129	1							
15	1	129921-22080	PISTON ASSY	4							
17	2	129907-22051	RING SET, PISTON	4							
23	1	120130-22301	PIN, PISTON	4							
24	1	22252-000300	RING, 30	8							
25	1	129900-23001	ROD ASSY, CONNECTING	4							
28	2	129900-23200	BOLT, CONNECTING ROD	8							
29	2	129900-23601	BEARING, CRANK PIN	4							
31	1	129900-23911	BEARING, PISTON PIN	4							1
32	1	129900-23611	BEARING ASSY, 0.25US	4							2
34	1	129927-22900	PISTON ASSY	4							3
36	2	729907-22950	RING SET, 0.25 OS	4							3

Remarks
(1)Spare part.
(2)Under-sized(U.S.=0.25)part.
(3)Over-sized(O.S.=0.25)part.

Fig.9. LUB. OIL SYSTEM



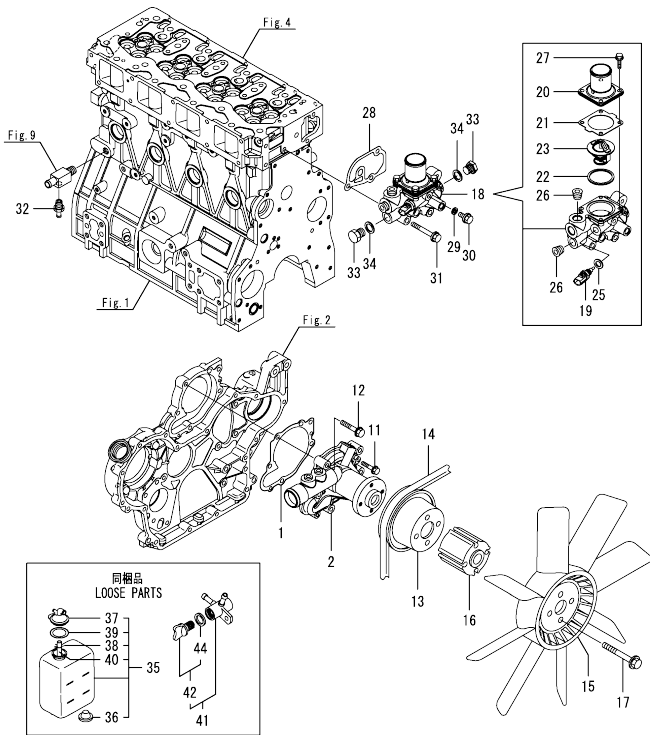
(A)=4TNV98-APT8
(B)=
(C)=

(D)=
(E)=
(F)=

No.	Lev.	Parts No.	Description	Qty						I	R
				(A)	(B)	(C)	(D)	(E)	(F)		
1	1	129908-33010	COOLER ASSY, OIL	1							
2	2	123912-33050	O-RING	1							
3	1	123912-33100	BOLT, COOLER	1							
4	1	129908-33101	BRACKET, OIL COOLER	1							
5	1	129006-44480	JOINT	1							
6	1	129908-49060	HOSE, WATER	1							
7	1	129466-49300	ELBOW, PT3/8	1							
8	1	123910-49600	HOSE ASSY WATER	1							
10	2	123910-49610	TUBE, CORRUGATED	1							
11	1	121750-59890	BAND, NYLON	1							
12	1	23000-025000	CLAMP, 25	4							
13	1	24321-000600	O-RING, 1AG60.0	1							
14	1	129900-34800	DIPSTICK	1							
15	1	121520-34810	GUIDE, DIPSTICK	1							
17	1	129900-32030	O-RING, P20	1							
18	1	129900-35000	PIPE ASSY, OIL INLET	1							
23	1	26106-080122	BOLT, M8X 12 PLATED	2							
24	1	124298-39450	SWITCH, HYDRAULIC	1							
25	1	129927-39060	PIPE ASSY, OIL	1							
27	2	123907-39500	RETAINER, PIPE	1							
29	1	129005-59830	BOLT ASSY, JOINT M8	2							
30	2	22190-080002	WASHER, SEAL 6	2							
31	2	23857-030000	BOLT, JOINT 3	2							
32	1	22190-080002	WASHER, SEAL 6	2							
33	1	26106-080122	BOLT, M8X 12 PLATED	1							
34	1	22190-080002	WASHER, SEAL 6	2							
35	1	26106-080122	BOLT, M8X 12 PLATED	2							
36	1	119005-35151	FILTER, D80X100	1							1

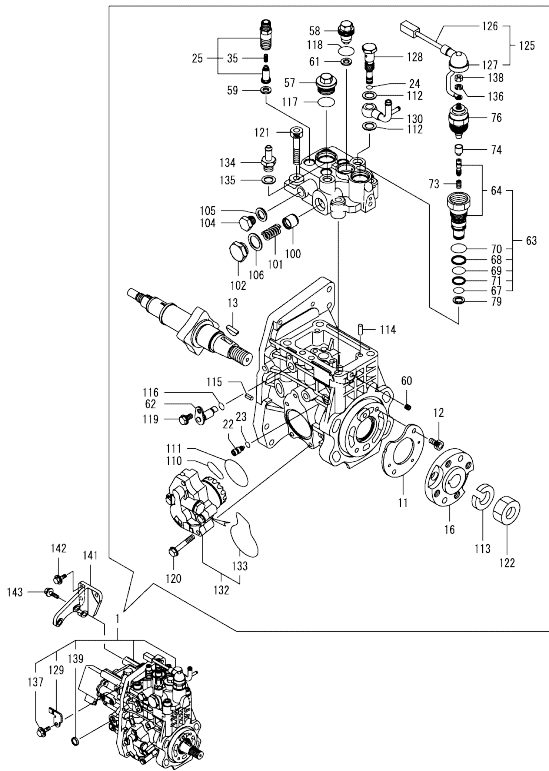
Remarks
(1)Spare part.

Fig.10. COOLING WATER SYSTEM



No.	Lev.	Parts No.	Description	Q'ty						I	R
				(A)	(B)	(C)	(D)	(E)	(F)		
1	1	129900-42020	GASKET, WATER PUMP	1							
2	1	129932-42100	PUMP ASSY, CW LOW	1							
2-1	1	129932-42101	PUMP ASSY, CW	1							N
(A=ET1747)											
11	1	26106-060302	BOLT, M6X 30 PLATED	2							
12	1	26106-080552	BOLT, M8X 55 PLATED	5							
13	1	123900-42470	V-PULLEY, C.W.PUMP	1							
14	1	25153-004400	V-BELT, B44	1							
15	1	123950-44740	FAN, COOLING D=460	1							
16	1	123910-44780	SPACER, FAN 65	1							
17	1	26106-100852	BOLT, M10X 85 PLATED	4							
18	1	129932-49800	CASE ASSY, THERMOSTA	1							
19	2	129927-44900	SENSOR, WATER TEMP.	1							
20	2	129916-49530	COVER, THERMOSTAT	1							
21	2	121850-49540	GASKET, THERMOSTAT	1							
22	2	121850-49550	GASKET, THERMOSTAT	1							
23	2	121850-49801	THERMOSTAT, 82C	1							
25	2	22190-120002	WASHER, SEAL 12	1							
26	2	23875-030000	PLUG, R03	2							
27	2	26106-060202	BOLT, M6X 20 PLATED	4							
28	1	129900-49870	GASKET, THERMOSTAT	1							
29	1	23414-080000	GASKET, 8X1.0	1							
30	1	26106-080122	BOLT, M8X 12 PLATED	1							
31	1	26106-080602	BOLT, M8X 60 PLATED	3							
32	1	121550-49111	JOINT, PT1/4	1							
33	1	121450-42450	PLUG, M16	2							
34	1	124465-44950	GASKET, 16	2							
35	1	129466-44510	TANK ASSY, SUB	1							
36	2	121468-44540	PLUG	1							
37	2	121450-44531	CAP	1							
38	2	124450-44560	CLAMP, HOSE	1							
39	2	121470-44581	GASKET	1							
40	2	121267-44590	PIPE	1							
41	1	129150-49100	COCK ASSY, 3-WAY	1							
42	2	129150-49080	COCK, DRAIN	1							
44	3	119629-49080	GASKET	1							

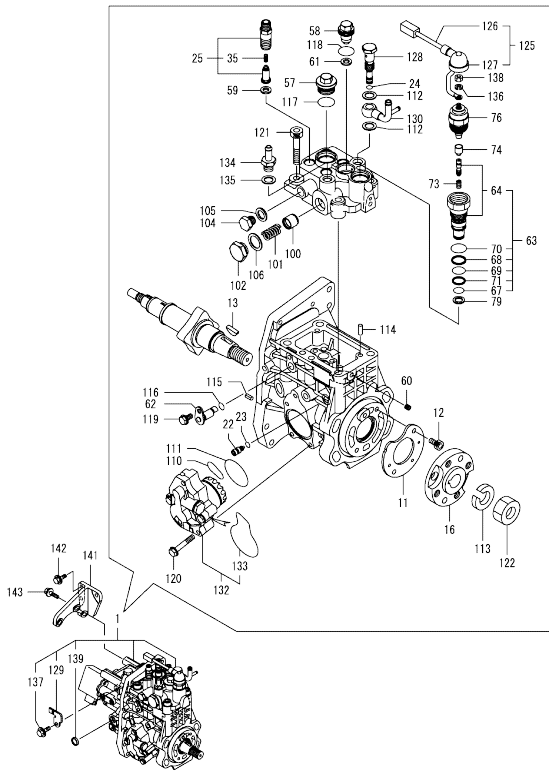
Fig.11. FUEL INJECTION PUMP



Remarks
 (1)Governor(Fig.12)is incorporated in this Fuel Injection Pump (Ref.1).
 (1)Eco Pump
 Make sure to update the engines ECU information when replacing the Eco Pump.
 Failing to do so will result in engine malfunction.

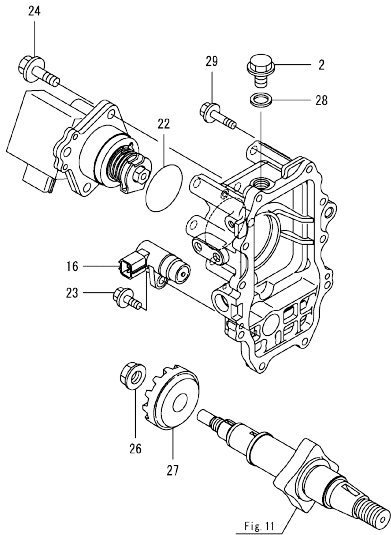
No.	Lev.	Parts No.	Description	Q'ty						I	R
				(A)	(B)	(C)	(D)	(E)	(F)		
1	1	729938-51380	PUMP ASSY, INJECTION	1							1
11	2	129928-51900	COVER	1							
12	2	129008-51920	BOLT, SOCKET M6X10	2							
13	2	144626-51090	FEATHER KEY, 5X19	1							
16	2	158563-51150	FLANGE	1							
22	2	158600-51270	STOPPER, TAPPET	1							
23	2	158563-51281	O-RING, 4D S6	1							
24	2	158563-51281	O-RING, 4D S6	1							
25	2	129927-51390	VALVE ASSY, DELIVERY	4							
35	3	158563-51330	SPRING, DELIVERY	4							
57	2	158601-51550	PLUG, M22	1							
58	2	129907-51560	PLUG, M16	1							
59	2	158552-51571	GASKET, PLUG	4							
60	2	158557-51570	PLUG, RACK	1							
61	2	129906-51580	GASKET, PLUG	1							
62	2	158552-51580	LIFTER, LINK	1							
63	2	129657-51590	TIMER ASSY	1							
64	3	129657-51600	TIMER ASSY	1							
67	3	158553-51670	O-RING	1							
68	3	119802-51680	RING, BACKUP	1							
69	3	119802-51690	O-RING	1							
70	3	24356-190200	O-RING, 4D19020	1							
71	3	24372-000150	RING, BACK UP T2P15	1							
73	2	119852-51630	SPRING, TIMER	1							
74	2	119852-51640	CAP, TIMER	1							
76	2	119852-51650	VALVE ASSY, SOLENOID	1							
79	2	158553-51680	GASKET, TIMER	1							
100	2	158601-51770	PISTON, ACCUMULATOR	1							
101	2	158552-51781	SPRING, ACCUMULATOR	1							
102	2	158601-51790	PLUG	1							
104	2	158553-51930	PLUG, M12	1							
105	2	22190-120002	WASHER, SEAL 12	1							
106	2	22190-180002	WASHER, SEAL 18	1							
110	2	158552-52311	O-RING	1							
111	2	158552-52400	O-RING, 4E S42	1							
112	2	22190-120002	WASHER, SEAL 12	2							
113	2	22217-180000	WASHER, SPRING 18	1							
114	2	22312-050140	PIN, PARALLEL M5X14	2							
115	2	22351-050010	PIN, SPRING 5.0X10	2							
116	2	24311-000070	O-RING, 1AP7.0	1							
117	2	24356-190200	O-RING, 4D19020	1							
118	2	24356-240210	O-RING, 4D24021	1							
119	2	26106-060102	BOLT, M6X 10 PLATED	1							
120	2	26106-060352	BOLT, M6X 35 PLATED	4							
121	2	26450-100452	BOLT, M10X 45	4							
122	2	26776-180002	NUT, LOCK M18	1							
125	2	129927-51650	HARNES ASSY, WIRE	1							
126	3	129927-51660	HARNES	1							
127	3	129263-77941	CAP, RUBBER	1							
128	2	158601-51650	JOINT, OVER FLOW	1							
129	2	129927-51670	BRACKET	1							

Fig.11. FUEL INJECTION PUMP



No.	Lev.	Parts No.	Description	Q'ty						I	R
				(A)	(B)	(C)	(D)	(E)	(F)		
130	2	158552-51670	JOINT, OVER FLOW	1							
132	2	158552-52100	PUMP ASSY, FUEL FEED	1							
133	3	158552-52500	O-RING	1							
134	2	119934-59910	JOINT, PIPE	1							
135	2	22190-120002	WASHER, SEAL 12	1							
136	2	22217-050000	WASHER, SPRING 5	1							
137	2	26106-060122	BOLT, M6X 12 PLATED	1							
138	2	26716-050002	NUT, M5	1							
139	2	27241-160000	PLUG, 16	1							
141	1	129927-51250	RETAINER, PUMP	1							
142	1	26106-080202	BOLT, M8X 20 PLATED	3							
143	1	26106-080302	BOLT, M8X 30 PLATED	3							

Remarks
 (1)Governor(Fig.12)is incorporated in this Fuel Injection Pump (Ref.1).
 (1)Eco Pump
 Make sure to update the engines ECU information when replacing the Eco Pump.
 Failing to do so will result in engine malfunction.



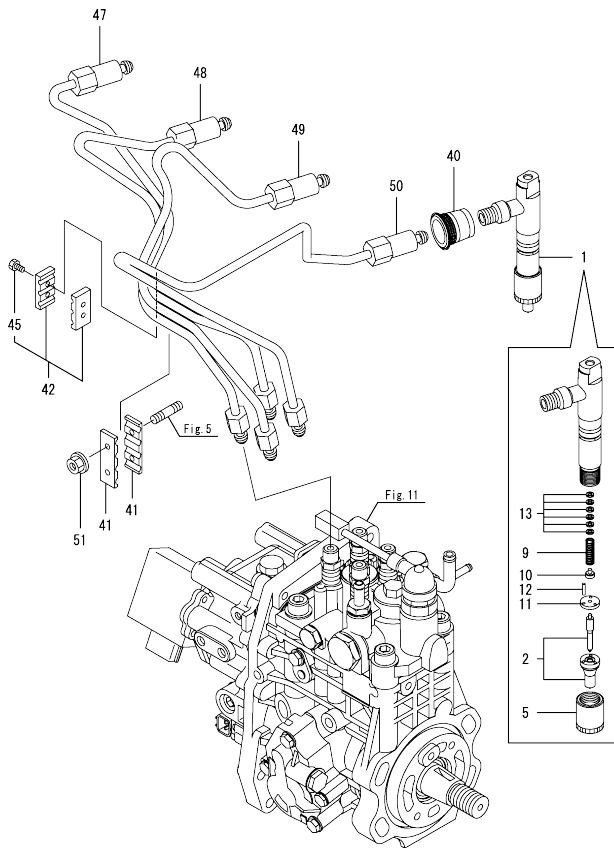
(A)=4TNV98-APT8
 (B)=
 (C)=

(D)=
 (E)=
 (F)=

No.	Lev.	Parts No.	Description	Q'ty						I	R
				(A)	(B)	(C)	(D)	(E)	(F)		
2	2	158553-51930	PLUG, M12	1							
16	2	158557-61720	SENSOR	1							
22	2	24341-000480	O-RING, 1AS48.0	1							
23	2	26106-060162	BOLT, M6X 16 PLATED	1							
24	2	26106-080252	BOLT, M8X 25 PLATED	3							
26	2	129008-61301	NUT	1							
27	2	158553-61780	GEAR, SENSOR	1							
28	2	22190-120002	WASHER, SEAL 12	1							
29	2	26106-060252	BOLT, M6X 25 PLATED	10							

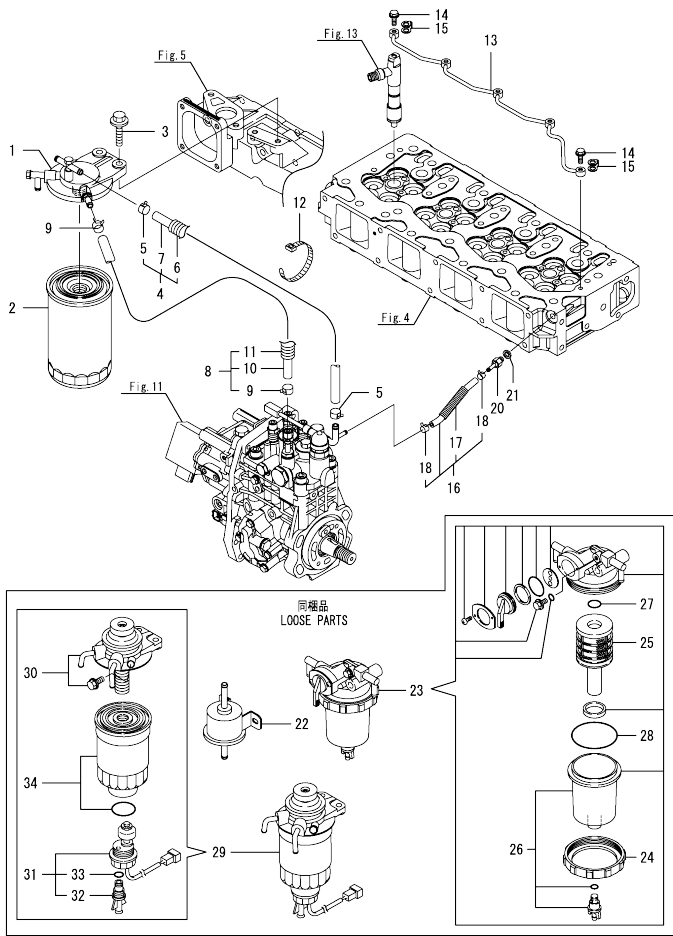
Remarks
 *This figure(Governor)is incorporated
 in the Fuel Injection Pump (Fig.11).

Fig.13. FUEL INJECTION VALVE



No.	Lev.	Parts No.	Description	Q'ty						I	R
				(A)	(B)	(C)	(D)	(E)	(F)		
1	1	729927-53100	FUEL INJECTOR ASSY	4							
2	2	129927-53000	NOZZLE ASSY, F.I.	4							
5	2	114250-53080	NUT, NOZZLE	4							
9	2	114250-53120	SPRING, NOZZLE	4							
10	2	114250-53130	SEAT, SPRING	4							
11	2	114250-53140	SPACER	4							
12	2	114250-53210	PIN	8							
13	2	119803-53400	SHIM SET	4							
40	1	123907-11601	SEAL, PIPE	4							
41	1	123472-59120	RETAINER, PIPE	2							
42	1	129150-59120	RETAINER, PIPE	1							
45	2	129150-59131	BOLT, M4X14	2							
47	1	129927-59810	PIPE ASSY, INJECTION	1							
48	1	129927-59820	PIPE ASSY, INJECTION	1							
49	1	129927-59830	PIPE ASSY, INJECTION	1							
50	1	129927-59840	PIPE ASSY, INJECTION	1							
51	1	26366-060002	NUT, M6	2							

Fig.14. FUEL LINE



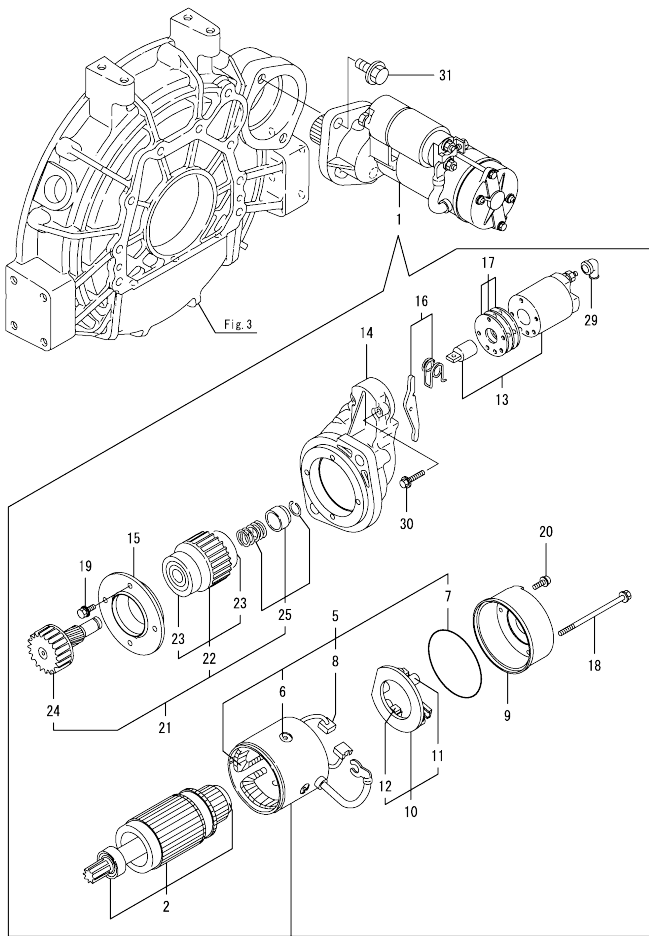
(A)=4TNV98-APT8
(B)=
(C)=

(D)=
(E)=
(F)=

No.	Lev.	Parts No.	Description	Qty						I	R
				(A)	(B)	(C)	(D)	(E)	(F)		
1	1	129004-55612	BRACKET, FILTER	1							
2	1	129907-55801	FILTER, FUEL	1							
3	1	26106-080302	BOLT, M8X 30 PLATED	2							
4	1	129457-59010	HOSE ASSY, FUEL	1							
5	2	124766-59050	CLAMP, HOSE 11.5	2							
6	2	129957-59120	TUBE, CORRUGATED 15	1							
7	2	105025-59750	HOSE, FUEL	1							
8	1	129961-59310	HOSE ASSY, FUEL	1							
9	2	124766-59050	CLAMP, HOSE 11.5	2							
10	2	129136-59110	HOSE, D13/7.5X270	1							
11	2	129961-59110	TUBE, CORRUGATED 15	1							
12	1	121750-59890	BAND, NYLON	1							
13	1	129907-59140	PIPE ASSY, RETURN	1							
14	1	123907-59540	BOLT, PIPE JOINT M6	5							
15	1	123907-59550	GASKET	5							
16	1	129927-59550	HOSE ASSY RETURN	1							
17	2	129263-49750	TUBE, CORRUGATED	1							
18	2	124722-59050	CLAMP, HOSE 9	2							
20	1	123907-59560	JOINT, HOSE	1							
21	1	22190-080002	WASHER, SEAL 6	1							
22	1	129612-52100	PUMP, FUEL FEED	1							
23	1	129906-55711	SEPARATOR ASSY, WATER	1							
24	2	129100-55690	RING, CUP RETAINING	1							
25	2	119802-55710	ELEMENT	1							
26	2	119802-55730	CUP ASSY, SEPARATOR	1							
27	2	24311-000160	O-RING, 1AP16.0	1							
28	2	24321-000650	O-RING, 1AG65.0	1							
29	1	129917-55801	FILTER ASSY, FUEL	1							
30	2	129917-55810	BODY, FILLER	1							
31	2	129917-55821	SENSOR ASSY, LEVEL	1							
32	3	129917-55830	PLUG, DRAIN	1							
33	3	129917-55840	O-RING	1							
34	2	129917-55850	ELEMENT KIT, FUEL	1							

N:Old $\frac{100}{100}$ New, Q:Old $\frac{100}{100}$ New, R:Old $\frac{100}{100}$ New, S:Old $\frac{100}{100}$ New, W:Add, Z:Discontinued, F:Interchangeable by set, K:Qty Change
Copyright (C) YANMAR GLOBAL CS CO., LTD. All Rights Reserved.

Fig.15. STARTING MOTOR



No.	Lev.	Parts No.	Description	Q'ty						I	R
				(A)	(B)	(C)	(D)	(E)	(F)		
1	1	129940-77011	STARTER ASSY	1							
2	2	129940-77100	ARMATURE ASSY	1							
5	2	129940-77130	COIL ASSY, FIELD	1							
6	3	129940-77140	SCREW, CORE SET	4							
7	3	129940-77150	O-RING	1							
8	3	129940-77160	BRUSH	2							
9	2	129940-77171	COVER	1							
10	2	129940-77181	HOLDER ASSY, BRUSH	1							
11	3	129940-77190	SPRING, BRUSH	1							
12	3	129940-77200	BRUSH	2							
13	2	129940-77210	SWITCH ASSY, MAGNET	1							
14	2	129940-77221	CASE, GEAR	1							
15	2	129940-77230	RETAINER, BEARING	1							
16	2	129940-77240	LEVER SET	1							
17	2	129940-77250	COVER KIT, DUST	1							
18	2	129940-77260	BOLT, THROUGH	2							
19	2	129940-77270	BOLT	4							
20	2	129940-77280	SCREW	2							
21	2	123900-77510	PINION ASSY	1							
22	3	123900-77520	CLUTCH ASSY	1							
23	4	X2240610100	BEARING, BALL	2							
24	3	123900-77540	SHAFT, PINION	1							
25	3	119131-77550	STOPPER SET, PINION	1							
29	2	121254-77810	COVER, TERMINAL	1							
30	2	114371-79070	BOLT	2							
31	1	26106-120252	BOLT, M12X 25 PLATED	2							

N:Old $\frac{100}{100}$ New, Q:Old $\frac{100}{100}$ New, R:Old $\frac{100}{100}$ New, S:Old $\frac{100}{100}$ New, W:Add, Z:Discontinued, F:Interchangeable by set, K:Qty Change
 Copyright (C) YANMAR GLOBAL CS CO., LTD. All Rights Reserved.

OCD11-M18200 4TNV98-APT8
 Fig.16. GENERATOR

OCD11-M18200 Fig.16

(A)=4TNV98-APT8
 (B)=
 (C)=

(D)=
 (E)=
 (F)=

No.	Lev.	Parts No.	Description	Q'ty						I	R
				(A)	(B)	(C)	(D)	(E)	(F)		
1	1	129908-77210	ALTERNATOR	1							
2	1	129908-77220	BOLT, STOPPER M10	1							
3	1	129908-77360	PIECE, DISTANCE	1							
4	1	26306-100002	NUT, M10	1							
5	1	129953-77300	ADJUSTER	1							
6	1	121236-77340	SPACER	1							
7	1	119624-77351	BLOCK ASSY, ADJUSTER	1							
9	2	26106-081004	BOLT, M8X100 PLATED	1							
10	2	26306-080002	NUT, M8	1							
11	1	26106-080452	BOLT, M8X 45 PLATED	1							
12	1	129938-77800	SENSOR ASSY, ACCEL	1							
13	2	194990-22130	NUT, M6	1							
14	2	119060-61990	SPRING, RETURN	1							
15	2	129054-77800	SENSOR ASSY, ACCEL	1							
16	3	185100-50070	BODY	1							
17	3	129054-77811	SUPPORT, SENSOR	1							
18	3	129054-77820	GASKET	1							
19	3	129054-77830	SHAFT ASSY	1							
20	3	24311-000070	O-RING, 1AP7.0	1							
21	3	26023-040202	SCREW, M4X20	2							
22	2	129938-77810	LEVER, SENSOR	1							
23	2	26106-060122	BOLT, M6X 12 PLATED	2							
24	1	129927-77910	BRACKET, CONNECTOR	3							
25	1	129927-77920	RELAY, ISO 70A	3							

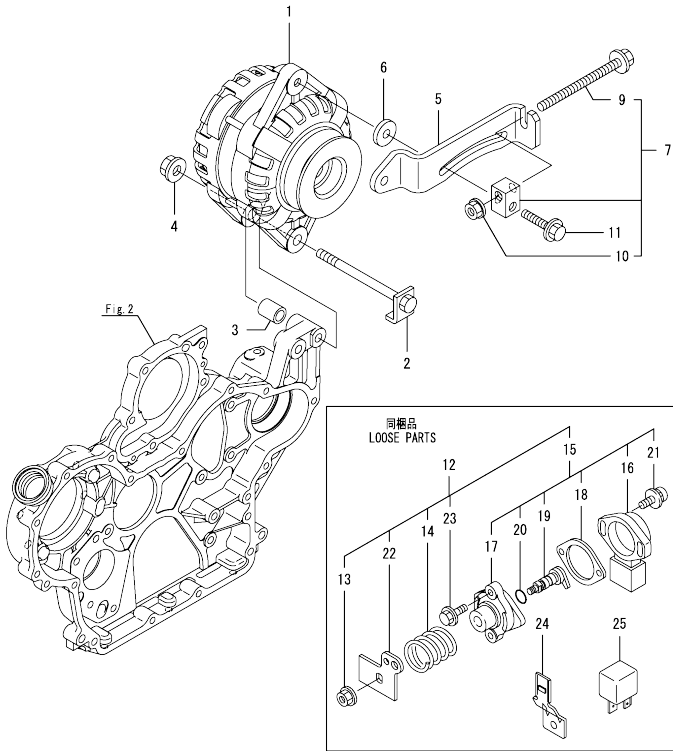
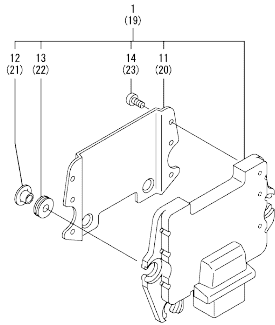


Fig.17. ELECTRONIC CONTROL UNIT (ECU)



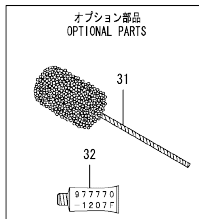
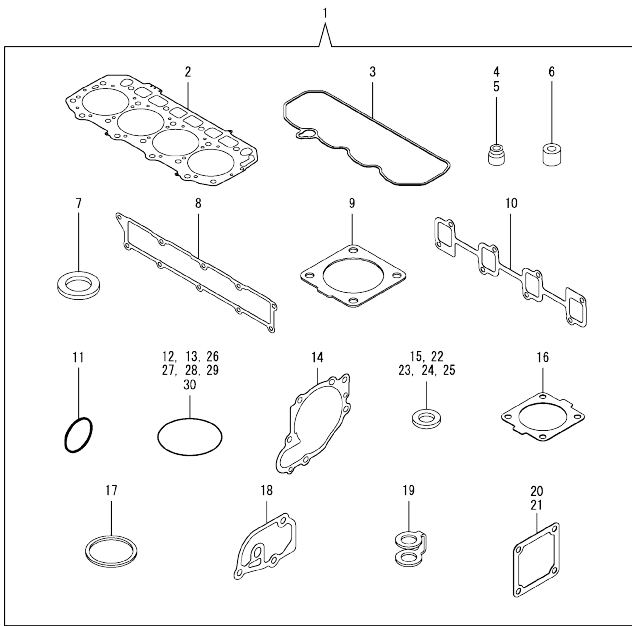
(A)=4TNV98-APT8
(B)=
(C)=

(D)=
(E)=
(F)=

No.	Lev.	Parts No.	Description	Q'ty						I	R
				(A)	(B)	(C)	(D)	(E)	(F)		
1	1	129923-75030	ECU ASSY,4TNV98-APT8	1							1
11	2	129927-77600	SHIELD, ECU	1							
12	2	129927-77680	COLLAR, CONTROL	3							
13	2	119578-91351	ABSORBER	3							
14	2	22877-500080	SCREW, 5X 8	6							
19	1	129927-75900	ECU ASSY, SERVICE	1							2
20	2	129927-77600	SHIELD, ECU	1							
21	2	129927-77680	COLLAR, CONTROL	3							
22	2	119578-91351	ABSORBER	3							
23	2	22877-500080	SCREW, 5X 8	6							

Remarks

(1)Eco ECU
This part cannot be ordered.
Replace the part using a Service ECU with the proper engine information installed.
(2)Service ECU
If the proper information is not installed, the engine will not operate.
To install proper information, go to an authorized Distributor.



Remarks
 (1)Optional parts.

No.	Lev.	Parts No.	Description	Qty						I	R	
				(A)	(B)	(C)	(D)	(E)	(F)			
1	1	129923-92610	PACKING	1							1	
2	2	129907-01331	GASKET, HEAD	1								
3	2	129933-11310	GASKET, BONNET	1								
4	2	119803-11340	SEAL, VALVE STEM	8								
5	2	124160-11340	SEAL, VALVE STEM	8								
6	2	119802-11870	PROTECTOR, NOZZLE	4								
7	2	119625-11880	SEAT, NOZZLE	4								
8	2	129907-12110	GASKET, MANIFOLD	1								
9	2	129930-13201	GASKET, SILENCER	2								
10	2	129900-13251	GASKET, EXH.MANIFOLD	1								
11	2	129960-21930	GASKET, WASHER	1								
12	2	129900-32030	O-RING, P20	2								
13	2	129900-32040	O-RING, P14	1								
14	2	129900-42020	GASKET, WATER PUMP	1								
15	2	124465-44950	GASKET, 16	2								
16	2	121850-49540	GASKET, THERMOSTAT	1								
17	2	121850-49550	GASKET, THERMOSTAT	1								
18	2	129900-49870	GASKET, THERMOSTAT	1								
19	2	123907-59550	GASKET	5								
20	2	119129-77020	GASKET	1								
21	2	121850-77021	GASKET, AIR HEATER	1								
22	2	22190-080002	WASHER, SEAL 6	7								
23	2	22190-120002	WASHER, SEAL 12	1								
24	2	22190-220002	WASHER, SEAL 22	1								
25	2	23414-080000	GASKET, 8X1.0	1								
26	2	24311-000070	O-RING, 1AP7.0	1								
27	2	24311-000120	O-RING, 1AP12.0	8								
28	2	24311-000320	O-RING, 1AP32.0	2								
29	2	24321-000600	O-RING, 1AG60.0	1								
30	2	24351-030750	O-RING, 1A3075	1								
31	1	129400-92450	HONE, FLEX	1								1
32	1	977770-1207F	GASKET,LIQUID	1								1

Parts No. Index

Parts No.	Fig. No.	Ref. No.
105025-59750	14	7
114250-53080	13	5
114250-53120	13	9
114250-53130	13	10
114250-53140	13	11
114250-53210	13	12
114371-79070	15	30
119000-01840	3	4
119005-35151	9	36
119005-77051	5	12
119060-61990	16	14
119129-77020	5	10
	18	20
119129-77520	5	13
119131-18320	6	5
119131-77550	15	25
119578-91351	17	13
	22	
119593-11301	4	27
119620-11180	4	12
119624-77351	16	7
119625-11880	4	23
	18	7
119629-49080	10	44
119640-01640	3	8
119640-61400	4	58
119802-11870	4	22
	18	6
119802-51680	11	68
119802-51690	11	69
119802-55710	14	25
119802-55730	14	26
119803-11340	4	13
	18	4
119803-53400	13	13
119852-51630	11	73
119852-51640	11	74
119852-51650	11	76
119934-59910	11	134
120130-22301	8	23
121236-77340	16	6
121254-77810	15	29
121267-44590	10	40
121450-42450	10	33
121450-44531	10	37
121468-44540	10	36
121470-44581	10	39
121520-34810	9	15
121550-49111	10	32
121750-59890	9	11

Parts No.	Fig. No.	Ref. No.
121750-59890	14	12
121850-21130	8	11
121850-21290	8	4
121850-21920	8	5
121850-49540	10	21
	18	16
121850-49550	10	22
	18	17
121850-49801	10	23
121850-77021	5	11
	18	21
123472-59120	13	41
123900-13610	6	3
123900-13630	6	4
123900-25060	7	9
123900-42470	10	13
123900-77510	15	21
123900-77520	15	22
123900-77540	15	24
123907-03100	4	52
123907-03110	4	53
123907-03120	4	54
123907-03140	4	55
123907-11280	4	32
123907-11550	4	1
123907-11601	13	40
123907-11820	4	19
123907-11830	4	18
123907-39500	9	27
123907-59540	14	14
123907-59550	14	15
	18	19
123907-59560	14	20
123910-44780	10	16
123910-49600	9	8
123910-49610	9	10
123912-33050	9	2
123912-33100	9	3
123950-44740	10	15
124160-01751	2	24
	4	47
124160-11340	4	14
	18	5
124160-11360	4	61
124298-39450	9	24
124450-44560	10	38
124465-44950	10	34
	18	15
124722-59050	14	18
124766-59050	14	5

Parts No.	Fig. No.	Ref. No.
124766-59050	14	9
127410-21480	8	14
129004-55612	14	1
129005-59830	9	29
129006-44480	9	5
129008-51920	11	12
129008-61301	12	26
129054-77800	16	15
129054-77811	16	17
129054-77820	16	18
129054-77830	16	19
129100-01580	2	1
	3	1
129100-55690	14	24
129136-59110	14	10
129150-02450	7	4
129150-11230	4	35
	39	
129150-11750	4	17
	36	
	40	
129150-14200	7	1
129150-25920	7	16
129150-49080	10	42
129150-49100	10	41
129150-59120	13	42
129150-59131	13	45
129263-49750	14	17
129263-77941	11	127
129400-92450	18	31
129457-59010	14	4
129466-44510	10	35
129466-49300	9	7
129612-52100	14	22
129640-13580	6	10
129640-13590	6	9
129657-51590	11	63
129657-51600	11	64
129900-01200	1	27
129900-01250	1	4
129900-01850	2	33
129900-01870	2	34
129900-02020	1	6
129900-02341	1	32
129900-02410	1	9
129900-02931	1	24
129900-02941	1	35
129900-13200	6	1
129900-13251	6	2
	18	10

Parts No.	Fig. No.	Ref. No.
129900-14100	7	6
129900-21200	8	3
129900-23001	8	25
129900-23200	8	28
129900-23601	8	29
129900-23611	8	32
129900-23911	8	31
129900-25100	7	10
129900-32001	2	4
129900-32030	2	16
	9	17
	18	12
129900-32040	2	17
	18	13
129900-34800	9	14
129900-35000	9	18
129900-42020	10	1
	18	14
129900-49870	10	28
	18	18
129902-01710	3	7
129902-21000	8	1
129906-51580	11	61
129906-55711	14	23
129907-01331	1	28
	18	2
129907-03011	4	49
129907-03061	4	50
129907-03070	4	51
129907-07900	4	64
129907-11100	4	9
129907-11110	4	10
129907-11120	4	11
129907-11250	4	29
129907-11260	4	30
129907-11270	4	31
129907-11321	4	48
129907-11341	4	28
129907-11510	4	15
129907-11650	4	33
129907-11660	4	37
129907-11800	4	66
129907-11910	4	24
129907-11920	4	41
129907-11950	4	25
129907-12110	5	1
	18	8
129907-14400	7	2
129907-22051	8	17
129907-25900	7	15

Parts No. Index

Parts No.	Fig. No.	Ref. No.
129907-51560	11	58
129907-55801	14	2
129907-59140	14	13
129908-14581	7	3
129908-33010	9	1
129908-33101	9	4
129908-49060	9	6
129908-77210	16	1
129908-77220	16	2
129908-77360	16	3
129916-01790	3	6
129916-01800	2	32
129916-21610	8	7
129916-49530	10	20
129917-55801	14	29
129917-55810	14	30
129917-55821	14	31
129917-55830	14	32
129917-55840	14	33
129917-55850	14	34
129921-22080	8	15
129923-75030	17	1
129923-92610	18	1
129927-11700	4	2
129927-12100	5	3
129927-13920	5	5
129927-22900	8	34
129927-39060	9	25
129927-42140	2	17 A
129927-44900	10	19
129927-51250	11	141
129927-51390	11	25
129927-51650	11	125
129927-51660	11	126
129927-51670	11	129
129927-53000	13	2
129927-59550	14	16
129927-59810	13	47
129927-59820	13	48
129927-59830	13	49
129927-59840	13	50
129927-75900	17	19
129927-77600	17	11
		20
129927-77680	17	12
		21
129927-77910	16	24
129927-77920	16	25
129928-51900	11	11
129930-13201	6	7

Parts No.	Fig. No.	Ref. No.
129930-13201	18	9
129932-42100	10	2
129932-42101	10	2 -1
129932-49800	10	18
129933-11310	4	57
	18	3
129938-77800	16	12
129938-77810	16	22
129940-12110	5	4
129940-12150	5	2
129940-13500	6	8
129940-77011	15	1
129940-77100	15	2
129940-77130	15	5
129940-77140	15	6
129940-77150	15	7
129940-77160	15	8
129940-77171	15	9
129940-77181	15	10
129940-77190	15	11
129940-77200	15	12
129940-77210	15	13
129940-77221	15	14
129940-77230	15	15
129940-77240	15	16
129940-77250	15	17
129940-77260	15	18
129940-77270	15	19
129940-77280	15	20
129944-01500	2	3
129948-21590	8	12
129948-21610	8	8
129951-01620	3	2
129951-01740	2	26
129953-25300	7	14
129953-77300	16	5
129957-59120	14	6
129960-21930	8	9
	18	11
129960-21940	8	10
129961-59110	14	11
129961-59310	14	8
144626-51090	11	13
158552-51571	11	59
158552-51580	11	62
158552-51670	11	130
158552-51781	11	101
158552-52100	11	132
158552-52311	11	110
158552-52400	11	111

Parts No.	Fig. No.	Ref. No.
158552-52500	11	133
158553-51670	11	67
158553-51680	11	79
158553-51930	11	104
	12	2
158553-61780	12	27
158557-51570	11	60
158557-61720	12	16
158563-51150	11	16
158563-51281	11	23
	24	
158563-51330	11	35
158600-51270	11	22
158601-51550	11	57
158601-51650	11	128
158601-51770	11	100
158601-51790	11	102
171031-11741	2	38
171051-01921	1	5
185100-50070	16	16
194990-22130	16	13
22117-100000	6	11
22190-080002	9	30
	32	
	34	
	14	21
	18	22
22190-120002	10	25
	11	105
	112	
	135	
	12	28
	18	23
22190-180002	11	106
22190-220002	3	10
	18	24
22217-050000	11	136
22217-100000	6	12
22217-180000	11	113
22252-000300	8	24
22312-050140	11	114
22351-050010	11	115
22351-060012	1	11
22512-070140	7	7
	8	6
22857-500100	4	59
	60	
22877-500080	17	14
	23	
23000-025000	9	12

Parts No.	Fig. No.	Ref. No.
23414-080000	10	29
	18	25
23857-030000	9	31
23875-030000	10	26
23876-020000	4	6
23876-030000	1	12
	4	7
24311-000070	2	18
	11	116
	16	20
	18	26
24311-000120	4	26
	62	
	18	27
24311-000160	14	27
24311-000320	2	25
	39	
	4	63
	18	28
24321-000600	9	13
	18	29
24321-000650	14	28
24341-000480	12	22
24351-030750	2	19
	18	30
24356-190200	11	70
	117	
24356-240210	11	118
24372-000150	11	71
25153-004400	10	14
26023-040202	16	21
26106-060102	11	119
26106-060122	11	137
	16	23
26106-060162	12	23
26106-060202	10	27
26106-060252	12	29
26106-060302	10	11
26106-060352	11	120
26106-080122	3	11
	9	23
	33	
	35	
	10	30
26106-080162	2	20
	35	
	4	65
	7	8

Parts No. Index

Parts No.	Fig. No.	Ref. No.
26106-080202	2	21
		27
	11	142
26106-080252	12	24
26106-080302	11	143
26106-080402	14	3
	2	36
	4	43
	5	14
	2	22
26106-080452		28
	5	8
	16	11
	7	13
26106-080552	10	12
	4	44
26106-080602		45
	10	31
26106-080702	2	37
26106-080752	2	29
26106-080802	5	9
26106-080902	5	15
26106-081004	16	9
26106-100202	5	6
26106-100652	6	13
26106-100852	10	17
26106-120252	15	31
26206-100352	3	5
26216-060202	5	7
26216-100302	2	15
26226-080222	4	42
26306-080002	4	46
	6	6
26306-100002	16	10
	2	23
	16	4
26366-060002	13	51
26450-100452	11	121
26706-100002	6	14
26716-050002	11	138
26776-180002	11	122
27241-160000	11	139
27241-300000	1	10
27241-400000	4	8
27310-070001	4	20
729900-02801	1	29
729907-01559	2	30
729907-22950	8	36
729927-01560	1	1
729927-53100	13	1

Parts No.	Fig. No.	Ref. No.
729938-51380	11	1
977770-1207F	18	32
X2240610100	15	23

Parts No.	Fig. No.	Ref. No.
-----------	----------	----------

Parts No.	Fig. No.	Ref. No.
-----------	----------	----------