

0CW10-M53701EN

P R E F A C E

This parts catalog is the 2nd edition of 4TNV98-EPHYBU, 4TNV98-EPHYBUC for HYUNDAI CONSTRUCTION EQUIPMENT CO., LTD.

Published : September, 2017

Contents

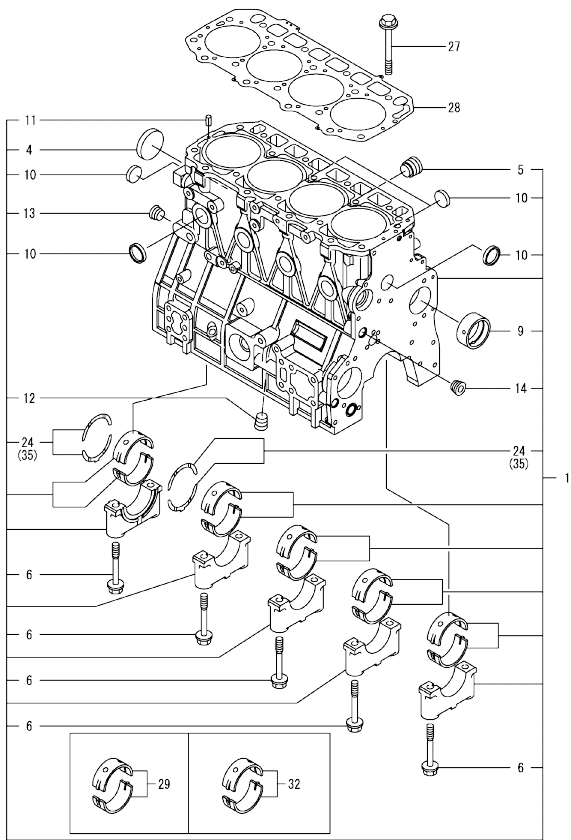
0CW10-M53701

Fig. No.	Fig. Name	Fig. No.	Fig. Name
ENGINE			
1.	CYLINDER BLOCK		
2.	GEAR HOUSING		
3.	FLYWHEEL HOUSING & OIL SUMP		
4.	CYLINDER HEAD & BONNET		
5.	SUCTION MANIFOLD		
6.	EXHAUST MANIFOLD		
7.	CAMSHAFT & DRIVING GEAR		
8.	CRANKSHAFT & PISTON		
9.	LUB. OIL SYSTEM		
10.	COOLING WATER SYSTEM		
11.	FUEL INJECTION PUMP(TO EE7424)		
19.	FUEL INJECTION PUMP(FROM EE9084)		
12.	GOVERNOR(TO EE7424)		
20.	GOVERNOR(FROM EE9084)		
13.	FUEL INJECTION VALVE(TO EE7424)		
21.	FUEL INJECTION VALVE(FROM EE9084)		
14.	FUEL PIPE		
15.	STARTER MOTOR		
16.	GENERATOR		
17.	ELECTRONIC CONTROL UNIT(ECU)		
22.	ELECTRONIC CONTROL UNIT(ECU)		
18.	GASKET SET		

Fig.1. CYLINDER BLOCK

(A)=4TNV98-EPHYBU
(B)=4TNV98-EPHYBUC
(C)=

(D)=
(E)=
(F)=



No.	Lev.	Parts No.	Description	Q'ty						I	R
				(A)	(B)	(C)	(D)	(E)	(F)		
1	1	729927-01560	BLOCK ASSY, CYLINDER	1	1						
4	2	129900-01250	PLUG, DISH TYPE 55	1	1						
5	2	171051-01921	PLUG, NPTF1	1	1						
6	2	129900-02020	BOLT, METAL CAP	10	10						
9	2	129900-02410	BUSH, CAMSHAFT	1	1						
10	2	27241-300000	PLUG 30	8	8						
11	2	22351-060012	PIN, SPRING 6.0X12	2	2						
12	2	23876-030000	PLUG, R03	1	1						
13	2	23876-030000	PLUG, R03	1	1						
14	2	23876-030000	PLUG, R03	1	1						
24	2	129900-02931	BEARING ASSY, THRUST	2							
24-1	2	129927-02930	BEARING ASSY, THRUST	2	2						R
(A=EZZZZZ)											
27	1	129900-01200	BOLT, CYLINDER HEAD	18	18						
28	1	129907-01331	GASKET, HEAD	1	1						
29	1	729900-02801	BEARING, MAIN	5	5						1
32	1	129900-02341	BEARING ASSY, MAIN	5	5						2
35	1	129900-02941	BEARING, THRUST 0.25	2	2						3

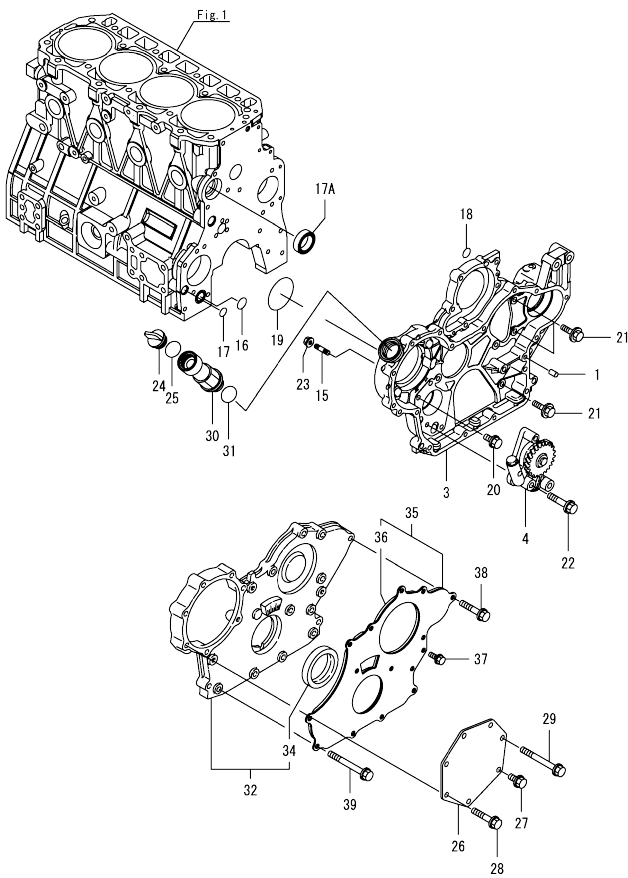
Remarks

- (1) Spare parts.
- (2) Under-sized (U.S.=0.25) parts.
- (3) Over-sized (O.S.=0.25) parts.

Fig.2. GEAR HOUSING

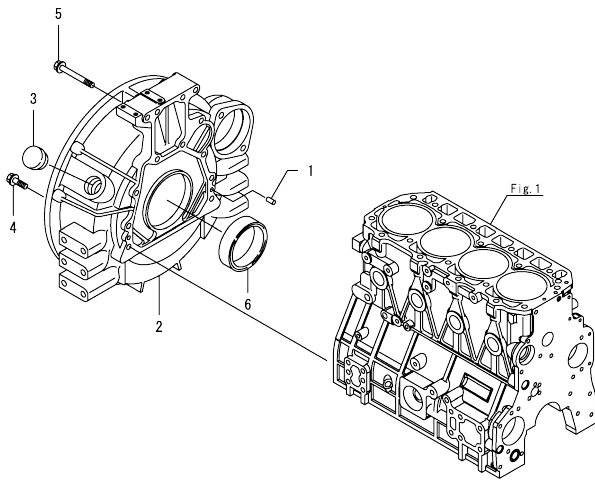
(A)=4TNV98-EPHYBU
(B)=4TNV98-EPHYBUC
(C)=

(D)=
(E)=
(F)=



No.	Lev.	Parts No.	Description	Q'ty						I	R
				(A)	(B)	(C)	(D)	(E)	(F)		
1	1	129100-01580	PIN, PARALLEL 8X16	4	4						
3	1	129944-01500	CASE, GEAR	1	1						
4	1	129900-32001	PUMP ASSY, OIL	1	1						
15	1	26216-100302	STUD, M10X 30	4	4						
16	1	129900-32030	O-RING, P20	1	1						
17	1	129900-32040	O-RING, P14	1	1						
17A	1	129927-42140	GASKET, CW-P OUT	1	1						W
(A=ET3347)											
18	1	24311-000070	O-RING, 1AP7.0	1	1						
19	1	24351-030750	O-RING, 1A3075	1	1						
20	1	26106-080162	BOLT, M8X 16 PLATED	1	1						
21	1	26106-080202	BOLT, M8X 20 PLATED	3	3						
22	1	26106-080452	BOLT, M8X 45 PLATED	3	3						
23	1	26306-100002	NUT, M10	4	4						
24	1	124160-01751	CAP, FILLER	1	1						
25	1	24311-000320	O-RING, 1AP32.0	1	1						
26	1	129951-01740	COVER	1	1						
27	1	26106-080202	BOLT, M8X 20 PLATED	1	1						
28	1	26106-080452	BOLT, M8X 45 PLATED	5	5						
29	1	26106-080752	BOLT, M8X 75 PLATED	1	1						
30	1	171031-11741	PIPE	1	1						
31	1	24311-000320	O-RING, 1AP32.0	1	1						
32	1	729907-01559	COVER ASSY,GEAR CASE	1	1						
34	2	129916-01800	SEAL, OIL	1	1						
35	1	129900-01850	COVER ASSY,GEAR CASE	1	1						
36	2	129900-01870	SPONGE, GEAR CASE	1	1						
37	1	26106-080162	BOLT, M8X 16 PLATED	3	3						
38	1	26106-080402	BOLT, M8X 40 PLATED	5	5						
39	1	26106-080702	BOLT, M8X 70 PLATED	6	6						

Fig.3. FLYWHEEL HOUSING & OIL SUMP

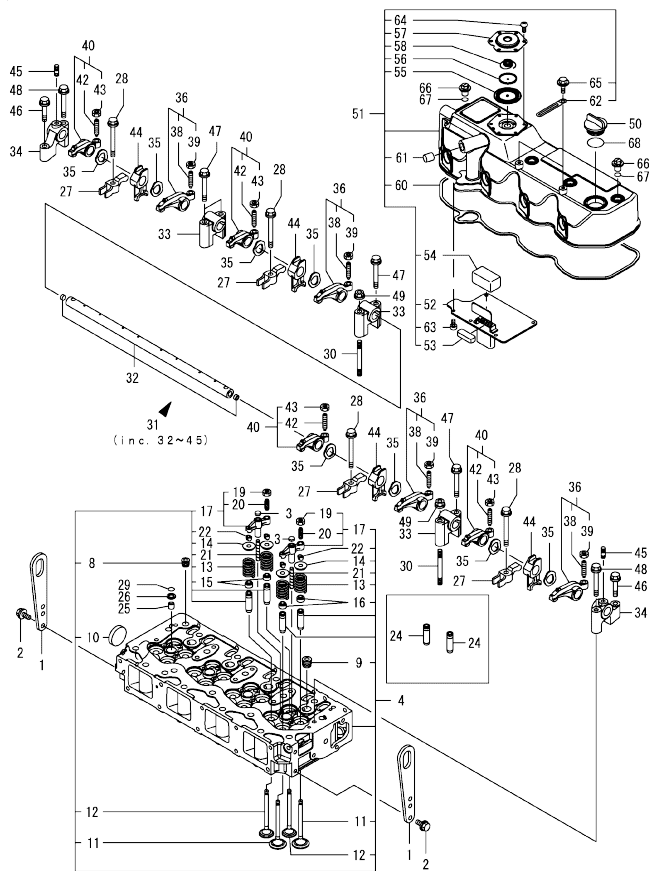


(A)=4TNV98-EPHYBU
(B)=4TNV98-EPHYBUC
(C)=

(D)=
(E)=
(F)=

No.	Lev.	Parts No.	Description	Q'ty						
				(A)	(B)	(C)	(D)	(E)	(F)	
1	1	129100-01580	PIN, PARALLEL 8X16	2	2					
2	1	129981-01600	HOUSING, FLYWHEEL	1	1					
3	1	119620-01750	CAP	1	1					
4	1	26206-100352	BOLT, M10X 35 PLATED	9	9					
5	1	26206-100702	BOLT, M10X 70 PLATED	4	4					
6	1	129916-01790	SEAL, D115/95XT11	1	1					
7	1	129940-01720	OIL PAN ASSY	1	1					
8	2	129906-01640	COCK, DRAIN	1	1					
10	1	26106-080122	BOLT, M8X 12 PLATED	16	16					

Fig.4. CYLINDER HEAD & BONNET



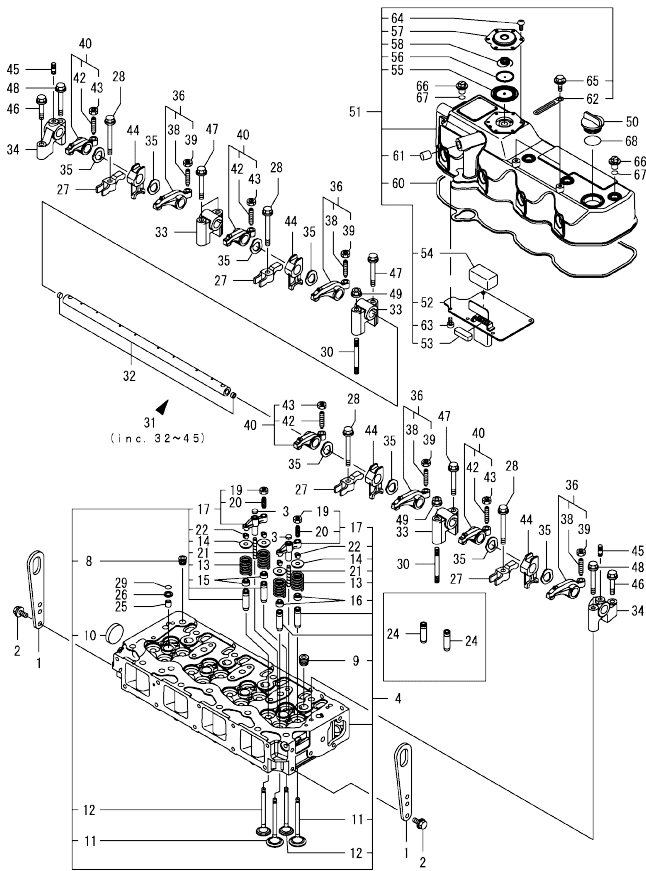
(A)=4TNV98-EPHYBU
(B)=4TNV98-EPHYBUC
(C)=

(D)=
(E)=
(F)=

No.	Lev.	Parts No.	Description	Q'ty						I	R
				(A)	(B)	(C)	(D)	(E)	(F)		
1	1	129900-07900	LIFTER, ENGINE	2	2						
2	1	26106-080162	BOLT, M8X 16 PLATED	4	4						
3	1	123907-11550	SEAT, VALVE BRIDGE	8	8						
4	1	129927-11700	HEAD ASSY, CYLINDER	1	1						
8	2	23876-020000	PLUG, R02	1	1						
9	2	23876-030000	PLUG, R03	4	4						
10	2	27241-400000	PLUG, 40	1	1						
11	2	129907-11100	VALVE, SUCTION	8	8						
12	2	129907-11110	VALVE, EXHAUST	8	8						
13	2	129907-11120	SPRING, VALVE	16	16						
14	2	119620-11180	RETAINER, SPRING	16	16						
15	2	119803-11340	SEAL, VALVE STEM	8	8						
16	2	124160-11340	SEAL, VALVE STEM	8	8						
17	2	129907-11510	BRIDGE ASSY, VALVE	8	8						
19	3	129150-11750	NUT, M8	8	8						
20	3	123907-11830	ADJUSTER	8	8						
21	2	123907-11820	GUIDE, BRIDGE	8	8						
22	2	27310-070001	COTTER, 7	16	16						
24	1	129907-11800	GUIDE, VALVE	16	16						1
25	1	119802-11870	PROTECTOR, NOZZLE	4	4						
26	1	119625-11880	SEAT, NOZZLE	4	4						
27	1	129907-11910	RETAINER, NOZZLE	4	4						
28	1	129907-11950	BOLT, M8X75	4	4						
29	1	24311-000120	O-RING, 1AP12.0	4	4						
30	1	119593-11301	BOLT, STUD M8X80	2	2						
31	1	129907-11341	SHAFT ASSY, ROCKER	1	1						
32	2	129907-11250	SHAFT, ROCKER ARM	1	1						
33	2	129907-11260	SUPPORT, ROCKER ARM	3	3						
34	2	129907-11270	SUPPORT, ROCKER ARM	2	2						
35	2	123907-11280	WASHER	8	8						
36	2	129907-11650	ARM ASSY, ROCKER	4	4						
38	3	129150-11230	SCREW, VALVE ADJUST	4	4						
39	3	129150-11750	NUT, M8	4	4						
40	2	129907-11660	ARM ASSY, ROCKER	4	4						
42	3	129150-11230	SCREW, VALVE ADJUST	4	4						
43	3	129150-11750	NUT, M8	4	4						
44	2	129907-11920	RETAINER, NOZZLE	4	4						
45	2	26226-080222	STUD, M8X 22	2	2						
46	1	26106-080402	BOLT, M8X 40 PLATED	2	2						
47	1	26106-080602	BOLT, M8X 60 PLATED	4	4						
48	1	26106-080602	BOLT, M8X 60 PLATED	2	2						
49	1	26306-080002	NUT, M8	2	2						
50	1	124160-01751	CAP, FILLER	1	1						
51	1	129927-11320	BONNET ASSY, HEAD	1	1						
52	2	129907-03011	PLATE, BAFFLE	1	1						
53	2	129907-03061	BAFFLE, BREATHER	1	1						
54	2	129907-03070	BAFFLE, BREATHER	1	1						
55	2	123907-03100	DIAPHRAGM	1	1						
56	2	123907-03110	PLATE	1	1						
57	2	123907-03120	PLATE, BREATHER	1	1						
58	2	123907-03140	SPRING, DIAPHRAGM	1	1						

Remarks
(1)Spare parts.

Fig.4. CYLINDER HEAD & BONNET



(A)=4TNV98-EPHYBU
(B)=4TNV98-EPHYBUC
(C)=

(D)=
(E)=
(F)=

No.	Lev.	Parts No.	Description	Qty					
				(A)	(B)	(C)	(D)	(E)	(F)
60	2	129933-11310	GASKET, BONNET	1	1				
61	2	119640-61400	PLUG	1	1				
62	2	175339-79700	CLIP	2	2				
63	2	22857-500100	SCREW, 5X10	6	6				
64	2	22857-500100	SCREW, 5X10	6	6				
65	2	26106-060122	BOLT, M6X 12 PLATED	2	2				
66	1	124160-11360	KNOB	4	4				
67	1	24311-000120	O-RING, 1AP12.0	4	4				
68	1	24311-000320	O-RING, 1AP32.0	1	1				

Remarks

(1)Spare parts.

Fig.5. SUCTION MANIFOLD

(A)=4TNV98-EPHYBU
 (B)=4TNV98-EPHYBUC
 (C)=

(D)=
 (E)=
 (F)=

No.	Lev.	Parts No.	Description	Q'ty					
				(A)	(B)	(C)	(D)	(E)	(F)
1	1	129907-12110	GASKET, MANIFOLD	1	1				
2	1	129927-12150	MANIFOLD ASSY,INTAKE	1	1				
3	2	129927-12100	MANIFOLD, AIR INTAKE	1	1				
4	2	26216-060202	STUD, M6X 20	2	2				
5	1	26106-080452	BOLT, M8X 45 PLATED	6	6				
6	1	26106-080802	BOLT, M8X 80 PLATED	4	4				
7	1	119129-77020	GASKET	1	1				
8	1	121850-77021	GASKET, AIR HEATER	1	1				
9	1	119005-77051	HEATER, AIR	1	1				
10	1	119129-77520	BEND	1	1				
11	1	26106-080402	BOLT, M8X 40 PLATED	2	2				
12	1	26106-080902	BOLT, M8X 90 PLATED	2	2				

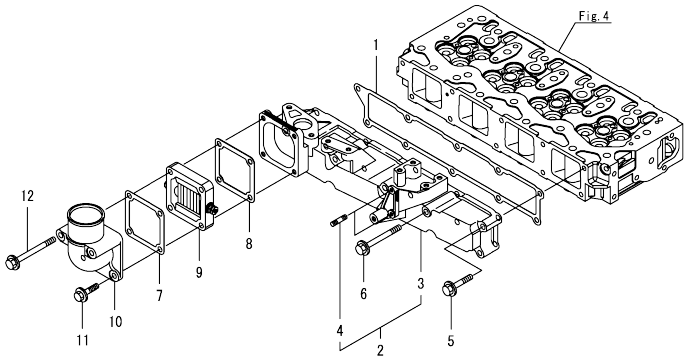
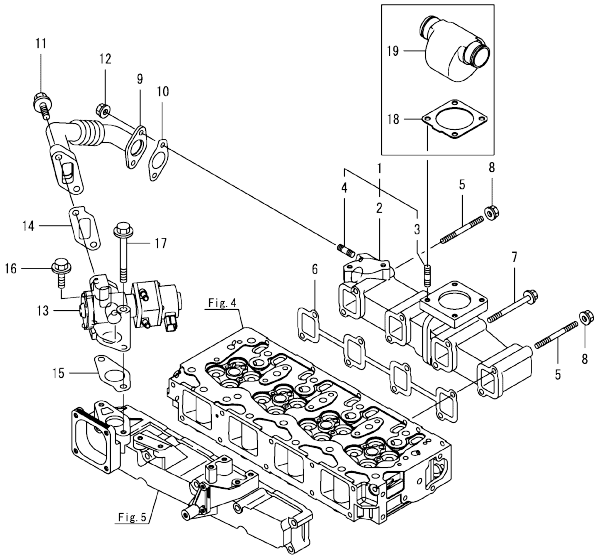


Fig.6. EXHAUST MANIFOLD

(A)=4TNV98-EPHYBU
 (B)=4TNV98-EPHYBUC
 (C)=

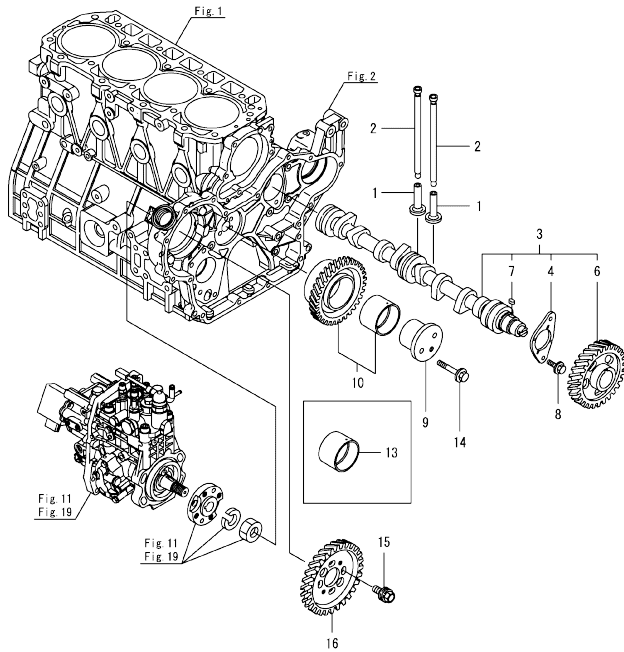
(D)=
 (E)=
 (F)=



No.	Lev.	Parts No.	Description	Q'ty						I	R
				(A)	(B)	(C)	(D)	(E)	(F)		
1	1	129927-13150	MANIFOLD ASSY, EXH.	1	1						
2	2	129927-13100	MANIFOLD, EXHAUST	1							
2-1	2	129927-13101	MANIFOLD, EXHAUST	1	1						R
(A=EL6379)											
3	2	119131-18320	BOLT, STUD M8X22	4	4						
4	2	129418-18320	BOLT, STUD M8X20	2	2						
5	1	129263-13210	BOLT, STUD M8X90	2	2						
6	1	129900-13251	GASKET, EXH.MANIFOLD	1	1						
7	1	119802-13680	BOLT, M8X90 10.9T	6							
7-1	1	129E00-13650	BOLT, M8X90 10.9T	6	6						N
(A=EU2046)											
8	1	26306-080002	NUT, M8	2	2						
9	1	129927-13800	PIPE ASSY, EGR	1	1						
10	1	129927-13810	GASKET	1	1						
11	1	26106-100302	BOLT, M10X 30 PLATED	2	2						
12	1	26306-080002	NUT, M8	2	2						
13	1	129928-13900	VALVE, EGR	1	1						
14	1	129927-13910	GASKET, EGR	1	1						
15	1	129927-13920	GASKET, EGR	1	1						
16	1	26106-100302	BOLT, M10X 30 PLATED	1	1						
17	1	26106-100952	BOLT, M10X 95 PLATED	1	1						
18	1	129930-13201	GASKET, SILENCER	1	1						1
19	1	119005-12060	SILENCER, INTAKE	1							1

Remarks
 (1) Loose parts.

Fig.7. CAMSHAFT & DRIVING GEAR



(A)=4TNV98-EPHYBU
(B)=4TNV98-EPHYBUC
(C)=

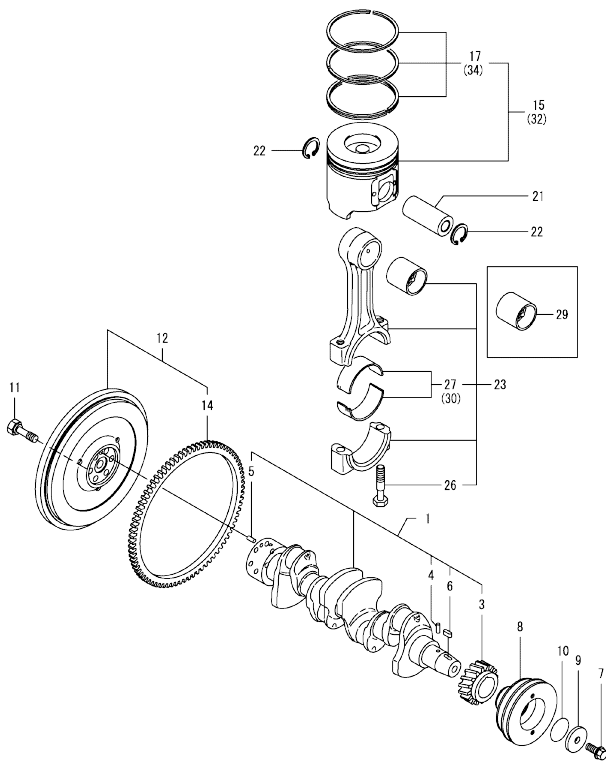
(D)=
(E)=
(F)=

No.	Lev.	Parts No.	Description	Q'ty						I	R	
				(A)	(B)	(C)	(D)	(E)	(F)			
1	1	129150-14200	TAPPET		8	8						
2	1	129907-14400	PUSH-ROD		8	8						
3	1	129908-14581	CAMSHAFT ASSY		1	1						
4	2	129150-02450	BEARING, THRUST		1	1						
6	2	129900-14100	GEAR, CAMSHAFT		1	1						
7	2	22512-070140	KEY, 7X 14		1	1						
8	1	26106-080162	BOLT, M8X 16 PLATED		2							
8-1	1	26106-080142 (A=E07822)	BOLT, M8X 14 PLATED		2	2						N
9	1	123900-25060	SHAFT, IDLE GEAR		1	1						
10	1	129900-25100	GEAR ASSY, IDLE		1							
10-1	1	129927-25100 (A=EZZZZZ)	GEAR ASSY, IDLE		1	1						N
13	1	129150-25920	BUSH, IDLE GEAR		1	1						1
14	1	26106-080552	BOLT, M8X 55 PLATED		3	3						
15	1	129953-25300	BOLT		4	4						
16	1	129907-25900	GEAR, PUMP		1	1						

Remarks

(1)Spare parts.

Fig.8. CRANKSHAFT & PISTON



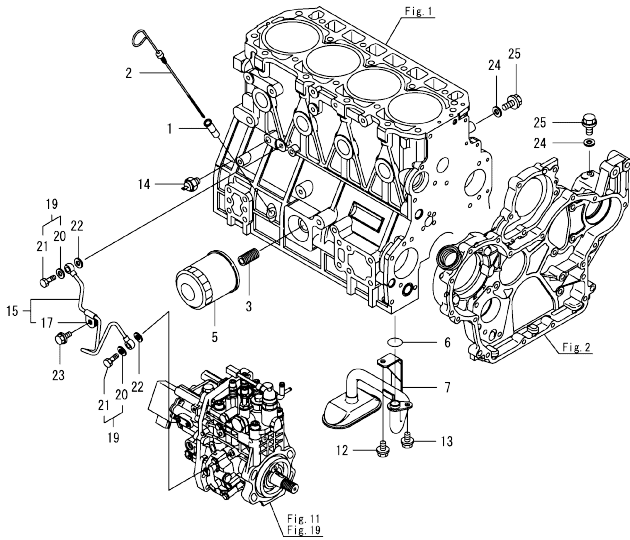
(A)=4TNV98-EPHYBU
(B)=4TNV98-EPHYBUC
(C)=

(D)=
(E)=
(F)=

No.	Lev.	Parts No.	Description	Q'ty						I	R
				(A)	(B)	(C)	(D)	(E)	(F)		
1	1	129902-21000	CRANKSHAFT ASSY	1	1						
3	2	129900-21200	GEAR, CRANKSHAFT	1	1						
4	2	121850-21290	PIN	1	1						
5	2	121850-21920	PIN, PARALLEL 10X22	1	1						
6	2	22512-070140	KEY, 7X 14	1	1						
7	1	129916-21610	BOLT	1	1						
8	1	129916-21620	V-PULLEY, CRANKSHAFT	1	1						
9	1	129960-21640	WASHER	1							
9-1	1	129960-21940	WASHER, V-PULLEY	1	1						R
(A=E06299)											
10	1	24341-000530	O-RING, 1AS53.0	1							
10-1	1	129960-21930	GASKET, WASHER	1	1						R
(A=E06299)											
11	1	121850-21130	BOLT, FLYWHEEL	6	6						
12	1	129953-21581	FLYWHEEL ASSY	1	1						
14	2	129900-21600	GEAR, RING	1	1						
15	1	129927-22080	PISTON ASSY	4	4						
17	2	129927-22050	RING SET, PISTON	4	4						
21	1	120130-22301	PIN, PISTON	4	4						
22	1	22252-000300	RING, 30	8	8						
23	1	129900-23001	ROD ASSY, CONNECTING	4	4						
26	2	129900-23200	BOLT, CONNECTING ROD	8	8						
27	2	129900-23601	BEARING, CRANK PIN	4							
27-1	2	129927-23600	BEARING ASSY, PIN	4	4						R
(A=EZZZZ)											
29	1	129900-23911	BEARING, PISTON PIN	4	4						1
30	1	129900-23611	BEARING ASSY, 0.25US	4	4						2
32	1	729927-22900	PISTON ASSY, 0.25 OS	4	4						3
34	2	729927-22950	RING SET, 0.25 OS	4	4						3

Remarks
(1) Spare parts.
(2) Under-sized (U.S.=0.25) parts.
(3) Over-sized (O.S.=0.25) parts.

Fig.9. LUB. OIL SYSTEM



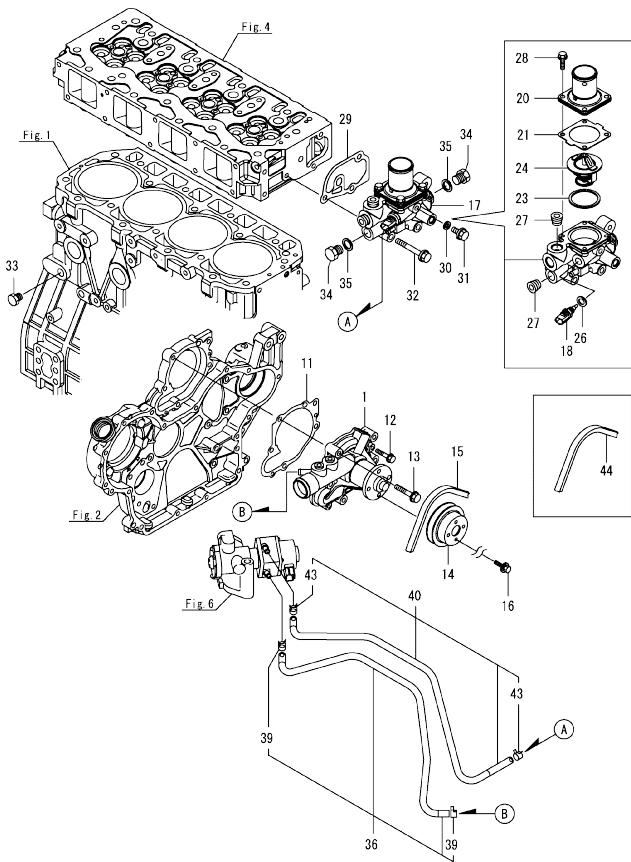
(A)=4TNV98-EPHYBU
(B)=4TNV98-EPHYBUC
(C)=

(D)=
(E)=
(F)=

No.	Lev.	Parts No.	Description	Q'ty						I	R
				(A)	(B)	(C)	(D)	(E)	(F)		
1	1	121520-34810	GUIDE, DIPSTICK	1	1						
2	1	129906-34851	DIPSTICK	1	1						
3	1	119000-35140	BOLT, STUD FILTER	1	1						
5	1	119005-35151	FILTER, D80X100	1	1						1
6	1	129900-32030	O-RING, P20	1	1						
7	1	129953-35000	PIPE ASSY, OIL INLET	1	1						
12	1	26106-080122	BOLT, M8X 12 PLATED	1							
13	1	26106-080162	BOLT, M8X 16 PLATED	1							
13-1	1	26106-080122	BOLT, M8X 12 PLATED	1	1						S
(A=EE9084)											
14	1	119761-39450	SWITCH, HYDRAULIC	1	1						
15	1	129927-39060	PIPE ASSY, OIL	1	1						
17	2	123907-39500	RETAINER, PIPE	1	1						
19	1	129005-59830	BOLT ASSY, JOINT M8	2	2						
20	2	22190-080002	WASHER, SEAL 8	2	2						
21	2	23857-030000	BOLT, JOINT 3	2	2						
22	1	22190-080002	WASHER, SEAL 8	2	2						
23	1	26106-080122	BOLT, M8X 12 PLATED	1	1						
24	1	22190-080002	WASHER, SEAL 8	2	2						
25	1	26106-080122	BOLT, M8X 12 PLATED	2	2						

Remarks
(1)Spare parts.

Fig.10. COOLING WATER SYSTEM



(A)=4TNV98-EPHYBU
(B)=4TNV98-EPHYBUC
(C)=

(D)=
(E)=
(F)=

No.	Lev.	Parts No.	Description	Q'ty						I	R
				(A)	(B)	(C)	(D)	(E)	(F)		
1	1	129927-42000	PUMP ASSY, WATER	1							
1-1	1	129927-42001 (A=ES6937)	PUMP ASSY, WATER	1	1						R
11	1	129900-42020	GASKET, WATER PUMP	1	1						
12	1	26106-060302	BOLT, M6X 30 PLATED	2	2						
13	1	26106-080552	BOLT, M8X 55 PLATED	5	5						
14	1	129928-42410	V-PULLEY, C.W.PUMP	1	1						
15	1	25153-004400 (A=EK6509)	V-BELT, B44	1							Z
16	1	26014-080162	BOLT, M8X 16	4							
16-1	1	26018-080162 (A=EE9084)	BOLT, M8X 16	4	4						R
17	1	129938-49800	CASE ASSY,THERMOSTAT	1	1						
18	2	129927-44900	SENSOR, WATER TEMP.	1	1						
20	2	129916-49530	COVER, THERMOSTAT	1	1						
21	2	121850-49540	GASKET, THERMOSTAT	1	1						
23	2	121850-49550	GASKET, THERMOSTAT	1	1						
24	2	121850-49800	THERMOSTAT, 82C	1							
24-1	2	121850-49801 (A=EE3559)	THERMOSTAT, 82C	1	1						N
26	2	22190-120002	WASHER, SEAL 12	1	1						
27	2	23875-030000	PLUG, R03	2	2						
28	2	26106-060202	BOLT, M6X 20 PLATED	4	4						
29	1	129900-49870	GASKET, THERMOSTAT	1	1						
30	1	23414-080000	GASKET, 8X1.0	1	1						
31	1	26106-080122	BOLT, M8X 12 PLATED	1	1						
32	1	26106-080602	BOLT, M8X 60 PLATED	3	3						
33	1	171056-49120	PLUG, DRAIN R1/4	1	1						
34	1	121450-42450	PLUG, M16	2	2						
35	1	124465-44950	GASKET, 16	2	2						
36	1	129927-49610	HOSE ASSY, WATER	1	1						
39	2	23080-012000	CLAMP, 12	2	2						
40	1	129927-49620	HOSE ASSY, WATER	1	1						
43	2	23080-012000	CLAMP, 12	2	2						
44	1	25153-004400 (A=EK6572)	V-BELT, B44	1	1						W 1

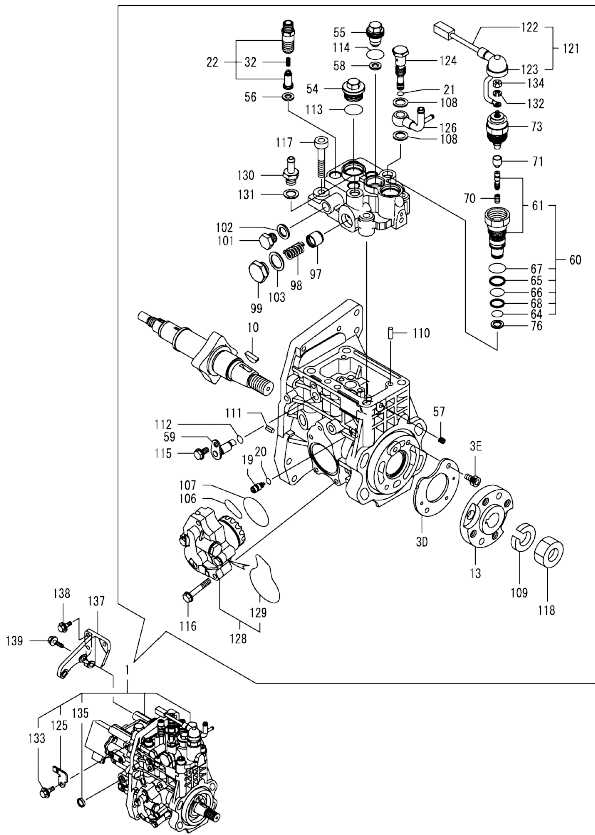
Remarks

(1)Loose parts.

Fig.11. FUEL INJECTION PUMP(TO EE7424)

(A)=4TNV98-EPHYBU
(B)=4TNV98-EPHYBUC
(C)=

(D)=
(E)=
(F)=



No.	Lev.	Parts No.	Description	(A)	(B)	(C)	(D)	(E)	(F)	I	R
1	1	729938-51340	PUMP ASSY, INJECTION	1							1
3D	4	129928-51900 (A=EB1763)	COVER, OIL	1							W
3E	4	129008-51920 (A=EB1763)	BOLT, M6X10	2							W
10	2	144626-51090	KEY, FEATHER 5X19	1							
13	2	158563-51150	FLANGE	1							
19	2	158600-51270	STOPPER, TAPPET	1							
20	2	158563-51281	O-RING, 4D S6	1							
21	2	158563-51281	O-RING, 4D S6	1							
22	2	129927-51390	VALVE ASSY, DELIVERY	4							
32	3	158563-51330	SPRING, DELIVERY	4							
54	2	158601-51550	PLUG, M22	1							
55	2	129907-51560	PLUG, M16	1							
56	2	158552-51571	GASKET, BARREL PLUG	4							
57	2	158557-51570	PLUG, RACK	1							
58	2	129906-51580	GASKET, BARREL PLUG	1							
59	2	158552-51580	LIFTER, LINK	1							
60	2	129657-51590	TIMER ASSY	1							
61	3	129657-51600	TIMER ASSY	1							
64	3	158553-51670	O-RING, PUMP TIMER	1							
65	3	119802-51680	RING, BACKUP	1							
66	3	119802-51690	O-RING, 1016	1							
67	3	24356-010200	O-RING, 4D1020	1							
67-1	3	24356-190200	O-RING, 4D19020	1							R
		(A=EE9084)									
68	3	24372-000150	RING, BACK UP T2P15	1							
70	2	119852-51630	SPRING, TIMER	1							
71	2	119852-51640	CAP, TIMER	1							
73	2	119852-51650	VALVE ASSY, SOLENOID	1							
76	2	158553-51680	GASKET, TIMER	1							
97	2	158601-51770	PISTON, ACCUMULATOR	1							
98	2	158552-51781	SPRING, ACCUMULATOR	1							
99	2	158601-51790	PLUG, ACCUMULATOR	1							
101	2	158553-51930	PLUG, M12	1							
102	2	22190-120002	WASHER, SEAL 12	1							
103	2	22190-180002	WASHER, SEAL 18	1							
106	2	158552-52310	O-RING, FEED PUMP	1							
106-1	2	158552-52311	O-RING, FEED PUMP	1							R
		(A=EB2349)									
107	2	158552-52400	O-RING, 4E S42	1							
108	2	22190-120002	WASHER, SEAL 12	2							
109	2	22217-180000	WASHER, SPRING 18	1							
110	2	22312-050140	PIN, PARALLEL 5X14	2							
111	2	22351-050010	PIN, SPRING 5.0X10	2							
112	2	24311-000070	O-RING, 1AP7.0	1							
113	2	24356-010200	O-RING, 4D1020	1							
113-1	2	24356-190200	O-RING, 4D19020	1							R
		(A=EB6827)									
114	2	24356-020210	O-RING, 4D2021	1							
114-1	2	24356-240210	O-RING, 4D24021	1							R

Remarks

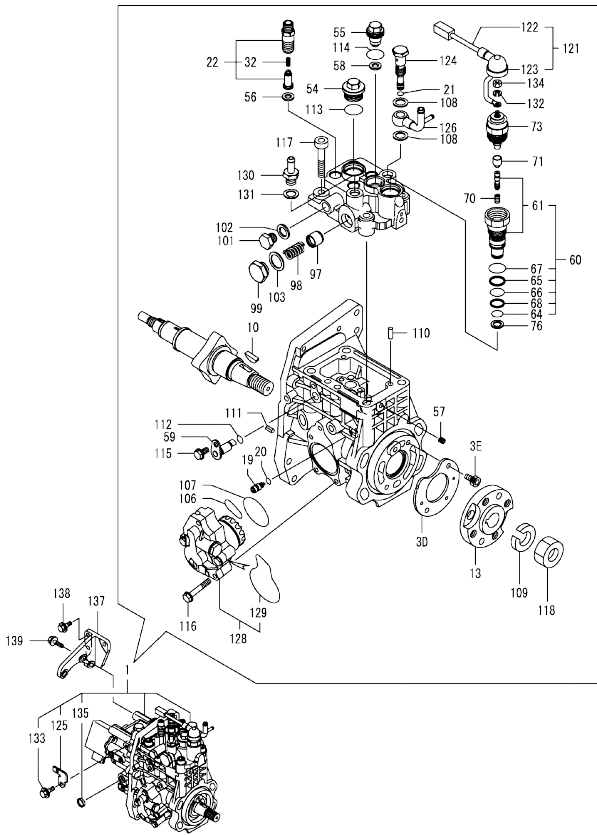
- (1)Governor(Fig.12) is incorporated in this Fuel Injection Pump(No.1).
- (1)Eco pump
- Make sure to update the engines ECU information when replacing the Eco pump.
- Failing to do so will result in engine malfunction.

Fig.11. FUEL INJECTION PUMP(TO EE7424)

(A)=4TNV98-EPHYBU
(B)=4TNV98-EPHYBUC
(C)=

(D)=
(E)=
(F)=

No.	Lev.	Parts No.	Description	Q'ty						I	R
				(A)	(B)	(C)	(D)	(E)	(F)		
(A)=EB6827)											
115	2	26106-060102	BOLT, M6X 10 PLATED	1							
116	2	26106-060352	BOLT, M6X 35 PLATED	4							
117	2	26450-100452	BOLT, M10X 45	4							
118	2	26776-180002	NUT, LOCK M18	1							
121	2	129927-51650	HARNES ASSY, WIRE	1							
122	3	129927-51660	HARNES	1							
123	3	129263-77941	CAP, RUBBER	1							
124	2	158601-51650	JOINT, OVERFLOW	1							
125	2	129927-51670	BRACKET	1							
126	2	158552-51670	JOINT, OVERFLOW	1							
128	2	158552-52100	PUMP ASSY, FUEL FEED	1							
129	3	158552-52500	O-RING, PUMP INNER	1							
130	2	119934-59910	JOINT, PIPE	1							
131	2	22190-120002	WASHER, SEAL 12	1							
132	2	22217-050000	WASHER, SPRING 5	1							
133	2	26106-060122	BOLT, M6X 12 PLATED	1							
134	2	26716-050002	NUT, M5	1							
135	2	27241-160000	PLUG, 16	1							
137	1	129927-51250	RETAINER, FUEL PUMP	1							
138	1	26106-080202	BOLT, M8X 20 PLATED	3							
139	1	26106-080302	BOLT, M8X 30 PLATED	3							



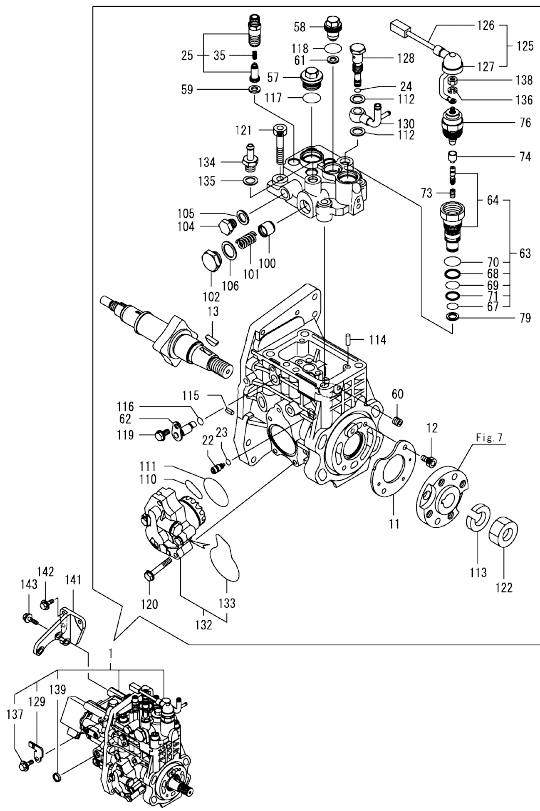
Remarks

- (1)Governor(Fig.12) is incorporated in this Fuel Injection Pump(No.1).
 - (1)Eco pump
- Make sure to update the engines ECU information when replacing the Eco pump.
Failing to do so will result in engine malfunction.

Fig.19. FUEL INJECTION PUMP(FROM EE9084)

(A)=4TNV98-EPHYBU
(B)=4TNV98-EPHYBUC
(C)=

(D)=
(E)=
(F)=



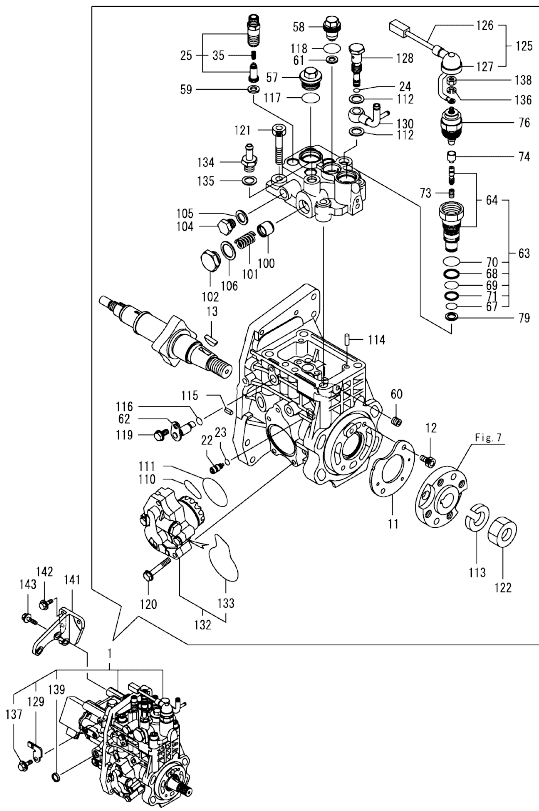
No.	Lev.	Parts No.	Description	Q'ty						I	R
				(A)	(B)	(C)	(D)	(E)	(F)		
1	1	729921-51360	PUMP ASSY, INJECTION	1	1						1
11	2	129928-51900	COVER, OIL	1	1						
12	2	129008-51920	BOLT, M6X10	2	2						
13	2	144626-51090	KEY, FEATHER 5X19	1	1						
22	2	158600-51270	STOPPER, TAPPET	1	1						
23	2	158563-51281	O-RING, 4D S6	1	1						
24	2	158563-51281	O-RING, 4D S6	1	1						
25	2	129927-51390	VALVE ASSY, DELIVERY	4	4						
35	3	158563-51330	SPRING, DELIVERY	4	4						
57	2	158601-51550	PLUG, M22	1	1						
58	2	129907-51560	PLUG, M16	1	1						
59	2	158552-51571	GASKET, BARREL PLUG	4	4						
60	2	158557-51570	PLUG, RACK	1	1						
61	2	129906-51580	GASKET, BARREL PLUG	1	1						
62	2	158552-51580	LIFTER, LINK	1	1						
63	2	129657-51590	TIMER ASSY	1	1						
64	3	129657-51600	TIMER ASSY	1	1						
67	3	158553-51670	O-RING, PUMP TIMER	1	1						
68	3	119802-51680	RING, BACKUP	1	1						
69	3	119802-51690	O-RING, 1016	1	1						
70	3	24356-190200	O-RING, 4D19020	1	1						
71	3	24372-000150	RING, BACK UP T2P15	1	1						
73	2	119852-51630	SPRING, TIMER	1	1						
74	2	119852-51640	CAP, TIMER	1	1						
76	2	119852-51650	VALVE ASSY, SOLENOID	1	1						
79	2	158553-51680	GASKET, TIMER	1	1						
100	2	158601-51770	PISTON, ACCUMULATOR	1	1						
101	2	158552-51781	SPRING, ACCUMULATOR	1	1						
102	2	158601-51790	PLUG, ACCUMULATOR	1	1						
104	2	158553-51930	PLUG, M12	1	1						
105	2	22190-120002	WASHER, SEAL 12	1	1						
106	2	22190-180002	WASHER, SEAL 18	1	1						
110	2	158552-52311	O-RING, FEED PUMP	1	1						
111	2	158552-52400	O-RING, 4E S42	1	1						
112	2	22190-120002	WASHER, SEAL 12	2	2						
113	2	22217-180000	WASHER, SPRING 18	1	1						
114	2	22312-050140	PIN, PARALLEL 5X14	2	2						
115	2	22351-050010	PIN, SPRING 5.0X10	2	2						
116	2	24311-000070	O-RING, 1AP7.0	1	1						
117	2	24356-190200	O-RING, 4D19020	1	1						
118	2	24356-240210	O-RING, 4D24021	1	1						
119	2	26106-060102	BOLT, M6X 10 PLATED	1	1						
120	2	26106-060352	BOLT, M6X 35 PLATED	4	4						
121	2	26450-100452	BOLT, M10X 45	4	4						
122	2	26776-180002	NUT, LOCK M18	1	1						
125	2	129927-51650	HARNASS ASSY, WIRE	1	1						
126	3	129927-51660	HARNASS	1	1						
127	3	129263-77941	CAP, RUBBER	1	1						
128	2	158601-51650	JOINT, OVERFLOW	1	1						
129	2	129927-51670	BRACKET	1	1						
130	2	158552-51670	JOINT, OVERFLOW	1	1						

Remarks
 (1)Governor(Fig.20) is incorporated in this Fuel Injection Pump(No.1).
 (1)Eco pump
 Make sure to update the engines ECU information when replacing the Eco pump.
 Failing to do so will result in engine malfunction.

Fig.19. FUEL INJECTION PUMP(FROM EE9084)

(A)=4TNV98-EPHYBU
(B)=4TNV98-EPHYBUC
(C)=

(D)=
(E)=
(F)=



No.	Lev.	Parts No.	Description	Q'ty					
				(A)	(B)	(C)	(D)	(E)	(F)
132	2	158552-52100	PUMP ASSY, FUEL FEED	1	1				
133	3	158552-52500	O-RING, PUMP INNER	1	1				
134	2	119934-59910	JOINT, PIPE	1	1				
135	2	22190-120002	WASHER, SEAL 12	1	1				
136	2	22217-050000	WASHER, SPRING 5	1	1				
137	2	26106-060122	BOLT, M6X 12 PLATED	1	1				
138	2	26716-050002	NUT, M5	1	1				
139	2	27241-160000	PLUG, 16	1	1				
141	1	129927-51250	RETAINER, FUEL PUMP	1	1				
142	1	26106-080202	BOLT, M8X 20 PLATED	3	3				
143	1	26106-080302	BOLT, M8X 30 PLATED	3	3				

Remarks

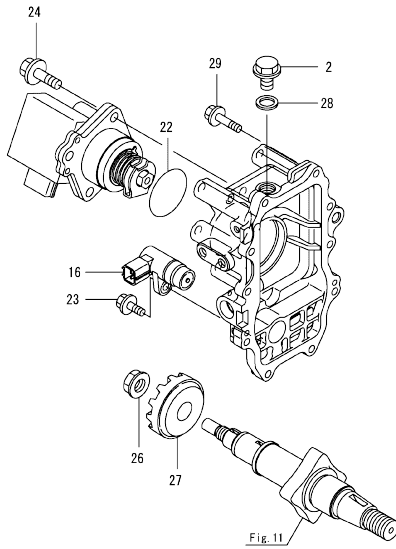
(1)Governor(Fig.20) is incorporated in this Fuel Injection Pump(No.1).
(1)Eco pump
Make sure to update the engines ECU information when replacing the Eco pump.
Failing to do so will result in engine malfunction.

Fig.12. GOVERNOR(TO EE7424)

(A)=4TNV98-EPHYBU
(B)=4TNV98-EPHYBUC
(C)=

(D)=
(E)=
(F)=

No.	Lev.	Parts No.	Description	Q'ty						I	R
				(A)	(B)	(C)	(D)	(E)	(F)		
2	2	158553-51930	PLUG, M12	1							
16	2	158557-61720	SENSOR, ROTATION	1							
22	2	24341-000480	O-RING, 1AS48.0	1							
23	2	26106-060162	BOLT, M6X 16 PLATED	1							
24	2	26106-080252	BOLT, M8X 25 PLATED	3							
26	2	129008-61301	NUT, SUPPORT	1							
27	2	158553-61780	GEAR, SENSOR	1							
28	2	22190-120002	WASHER, SEAL 12	1							
29	2	26106-060252	BOLT, M6X 25 PLATED	10							



Remarks

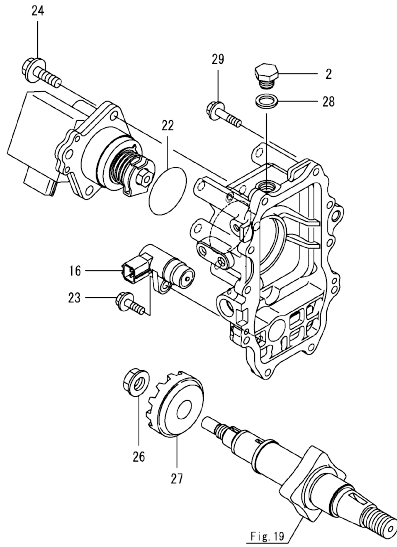
* This figure(Governor) is incorporated in the Fuel Injection Pump(Fig.11).

Fig.20. GOVERNOR(FROM EE9084)

(A)=4TNV98-EPHYBU
(B)=4TNV98-EPHYBUC
(C)=

(D)=
(E)=
(F)=

No.	Lev.	Parts No.	Description	Qty						
				(A)	(B)	(C)	(D)	(E)	(F)	
2	2	158553-51930	PLUG, M12	1	1					
16	2	158557-61720	SENSOR, ROTATION	1	1					
22	2	24341-000480	O-RING, 1AS48.0	1	1					
23	2	26106-060162	BOLT, M6X 16 PLATED	1	1					
24	2	26106-080252	BOLT, M8X 25 PLATED	3	3					
26	2	129008-61301	NUT, SUPPORT	1	1					
27	2	158553-61780	GEAR, SENSOR	1	1					
28	2	22190-120002	WASHER, SEAL 12	1	1					
29	2	26106-060252	BOLT, M6X 25 PLATED	10	10					



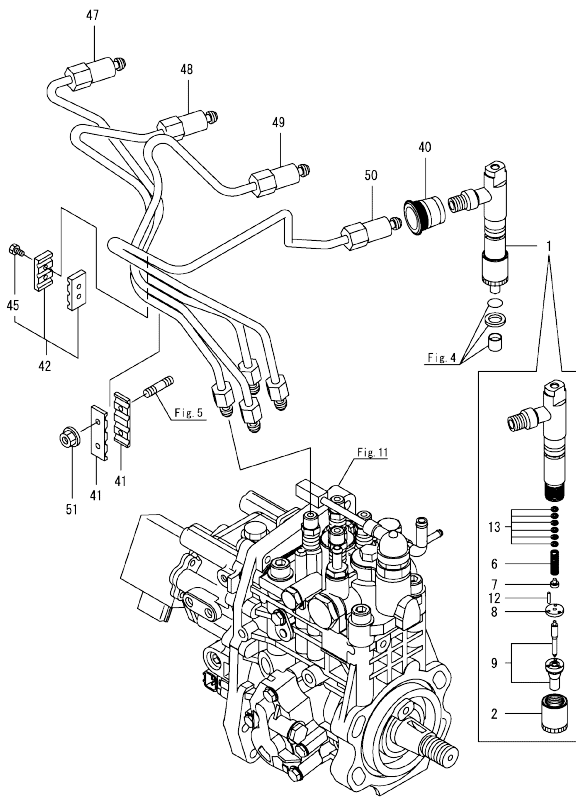
Remarks

* This figure(Governor) is incorporated in the Fuel Injection Pump(Fig.19).

Fig.13. FUEL INJECTION VALVE(TO EE7424)

(A)=4TNV98-EPHYBU
(B)=4TNV98-EPHYBUC
(C)=

(D)=
(E)=
(F)=



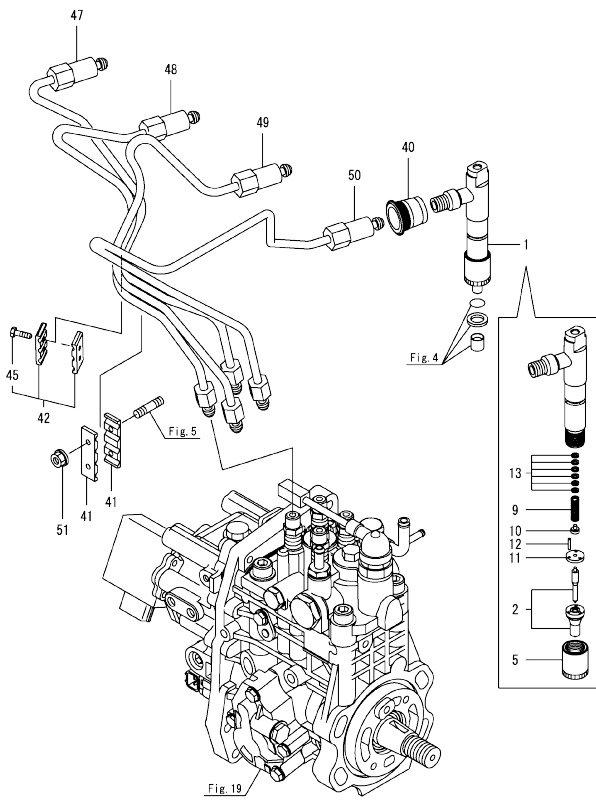
No.	Lev.	Parts No.	Description	Q'ty						I	R
				(A)	(B)	(C)	(D)	(E)	(F)		
1	1	729927-53200	FUEL INJECTOR ASSY	4							
2	2	114250-53080	NUT, NOZZLE	4							
6	2	114250-53120	SPRING, NOZZLE	4							
7	2	114250-53130	SEAT, SPRING	4							
8	2	114250-53140	SPACER	4							
9	2	129927-53200	NOZZLE ASSY, F.I.	4							
12	2	114250-53210	PIN	8							
13	2	119803-53400	SHIM SET	4							1
40	1	123907-11601	SEAL, PIPE	4							
41	1	123472-59120	RETAINER, PIPE	2							
42	1	129150-59120	RETAINER, PIPE	1							
45	2	129150-59131	BOLT, M4X14	2							
47	1	129927-59810	PIPE ASSY, INJECTION	1							
48	1	129927-59820	PIPE ASSY, INJECTION	1							
49	1	129927-59830	PIPE ASSY, INJECTION	1							
50	1	129927-59840	PIPE ASSY, INJECTION	1							
51	1	26366-060002	NUT, M6	2							

Remarks
(1)Spare parts.

Fig.21. FUEL INJECTION VALVE(FROM EE9084)

(A)=4TNV98-EPHYBU
(B)=4TNV98-EPHYBUC
(C)=

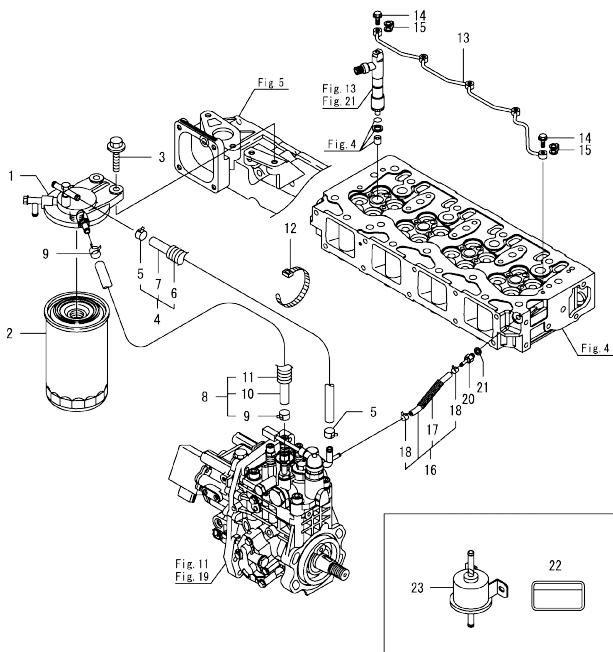
(D)=
(E)=
(F)=



No.	Lev.	Parts No.	Description	Q'ty					
				(A)	(B)	(C)	(D)	(E)	(F)
1	1	729927-53400	VALVE ASSY,INJECTION	4	4				
2	2	129671-53010	VALVE ASSY,INJECTION	4	4				
5	2	114250-53080	NUT, NOZZLE	4	4				
9	2	114250-53120	SPRING, NOZZLE	4	4				
10	2	114250-53130	SEAT, SPRING	4	4				
11	2	114250-53140	SPACER	4					
12	2	114250-53210	PIN	8	8				
13	2	119803-53400	SHIM SET	4	4				1
40	1	123907-11601	SEAL, PIPE	4	4				
41	1	123472-59120	RETAINER, PIPE	2	2				
42	1	129150-59120	RETAINER, PIPE	1	1				
45	2	129150-59131	BOLT, M4X14	2	2				
47	1	129927-59810	PIPE ASSY, INJECTION	1	1				
48	1	129927-59820	PIPE ASSY, INJECTION	1	1				
49	1	129927-59830	PIPE ASSY, INJECTION	1	1				
50	1	129927-59840	PIPE ASSY, INJECTION	1	1				
51	1	26366-060002	NUT, M6	2	2				

Remarks
(1)Spare parts.

Fig.14. FUEL PIPE



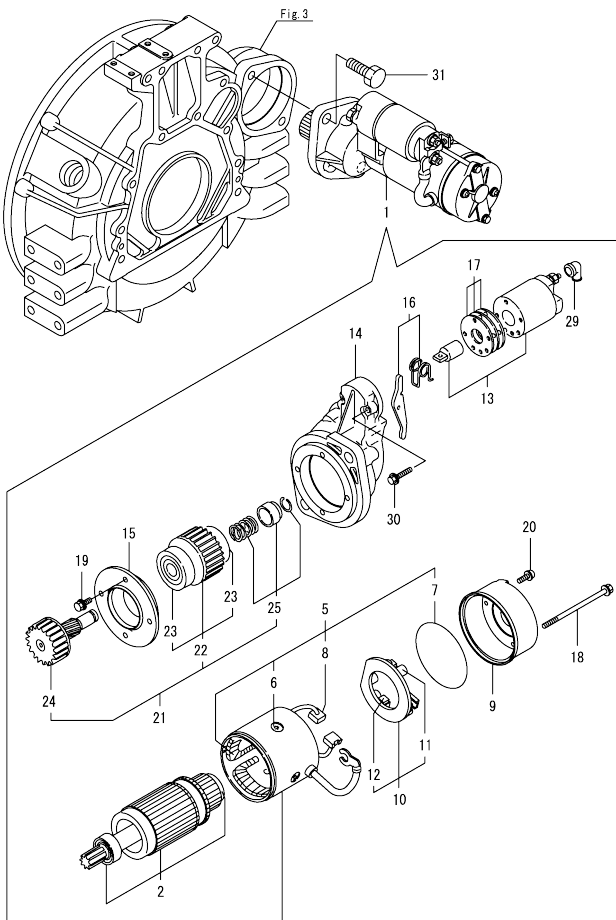
(A)=4TNV98-EPHYBU
(B)=4TNV98-EPHYBUC
(C)=

(D)=
(E)=
(F)=

No.	Lev.	Parts No.	Description	Q'ty						I	R
				(A)	(B)	(C)	(D)	(E)	(F)		
1	1	129004-55612	BRACKET, FILTER	1	1						
2	1	129907-55801	FILTER, FUEL	1	1						
3	1	26106-080302	BOLT, M8X 30 PLATED	2	2						
4	1	129457-59010	HOSE ASSY, FUEL	1	1						
5	2	124766-59050	CLAMP, HOSE 11.5	2	2						
6	2	129957-59120	TUBE, CORRUGATED 15	1	1						
7	2	105025-59750	HOSE, FUEL	1	1						
8	1	129961-59310	HOSE ASSY, FUEL	1	1						
9	2	124766-59050	CLAMP, HOSE 11.5	2	2						
10	2	129136-59110	HOSE, D13/7.5X270	1	1						
11	2	129961-59110	TUBE, CORRUGATED 15	1	1						
12	1	121750-59890	BAND, NYLON	1	1						
13	1	129907-59140	PIPE ASSY, RETURN	1	1						
14	1	123907-59540	BOLT, PIPE JOINT M6	5	5						
15	1	123907-59550	GASKET	5	5						
16	1	129927-59550	HOSE ASSY, RETURN	1	1						
17	2	129263-49750	TUBE, CORRUGATED	1	1						
18	2	124722-59050	CLAMP, HOSE 9	2	2						
20	1	123907-59560	JOINT, HOSE	1	1						
21	1	22190-080002	WASHER, SEAL 8	1	1						
22	1	114110-07760	LABEL, FUEL CAUTION	1	1						1
22-1	1	114110-07761	LABEL, FUEL OIL CAUT	1	1						N
		(A=EF3483)									
23	1	129612-52100	PUMP, FUEL FEED	1	1						1

Remarks
(1)Loose parts.

Fig.15. STARTER MOTOR



(A)=4TNV98-EPHYBU
(B)=4TNV98-EPHYBUC
(C)=

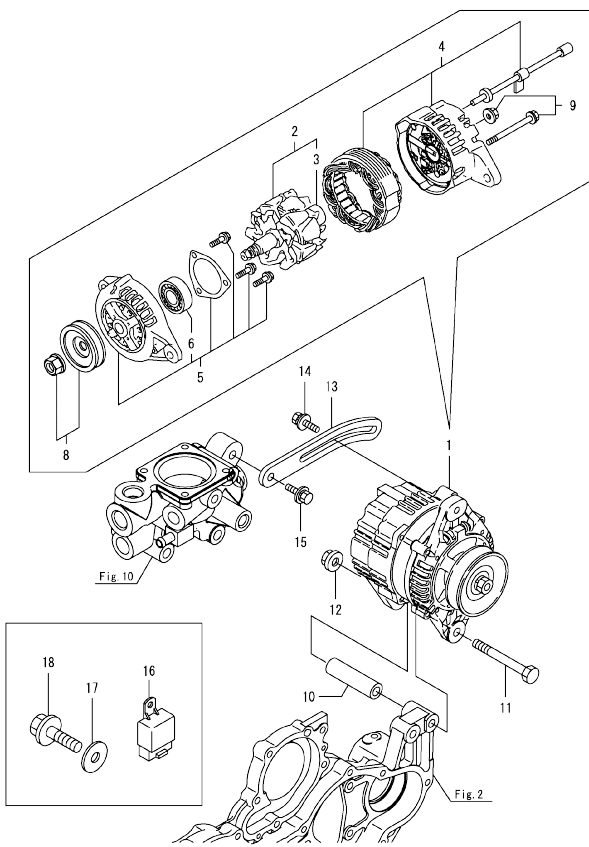
(D)=
(E)=
(F)=

No.	Lev.	Parts No.	Description	Qty						I	R
				(A)	(B)	(C)	(D)	(E)	(F)		
1	1	129940-77010	STARTER ASSY	1							
1-1	1	129940-77011 (A=EE3559)	STARTER ASSY	1	1						N
2	2	129940-77100	ARMATURE ASSY	1	1						
5	2	129940-77130	COIL ASSY, FIELD	1	1						
6	3	129940-77140	SCREW, CORE SET	4	4						
7	3	129940-77150	O-RING	1	1						
8	3	129940-77160	BRUSH	2	2						
9	2	129940-77170	COVER	1							
9-1	2	129940-77171 (A=EE3559)	COVER	1	1						N
10	2	129940-77180	HOLDER ASSY, BRUSH	1							
10-1	2	129940-77181 (A=EE3559)	HOLDER ASSY, BRUSH	1	1						N
11	3	129940-77190	SPRING, BRUSH	1	1						
12	3	129940-77200	BRUSH	2	2						
13	2	129940-77210	SWITCH ASSY, MAGNET	1	1						
14	2	129940-77220	CASE, GEAR	1							
14-1	2	129940-77221 (A=EF1382)	CASE, GEAR	1	1						N
15	2	129940-77230	RETAINER, BEARING	1	1						
16	2	129940-77240	LEVER SET	1	1						
17	2	129940-77250	COVER KIT, DUST	1	1						
18	2	129940-77260	BOLT, THROUGH	2	2						
19	2	129940-77270	BOLT	4	4						
20	2	129940-77280	SCREW	2	2						
21	2	123900-77510	PINION ASSY	1	1						
22	3	123900-77520	CLUTCH ASSY	1	1						
23	4	X2240610100	BEARING, BALL	2	2						
24	3	123900-77540	SHAFT, PINION	1	1						
25	3	119131-77550	STOPPER SET, PINION	1	1						
29	2	121254-77810	COVER, TERMINAL	1	1						
30	2	114371-79070	BOLT	2	2						
31	1	26116-120252	BOLT, M12X 25 PLATED	2							
31-1	1	26106-120252 (A=EF1144)	BOLT, M12X 25 PLATED	2	2						R

Fig.16. GENERATOR

(A)=4TNV98-EPHYBU
(B)=4TNV98-EPHYBUC
(C)=

(D)=
(E)=
(F)=



No.	Lev.	Parts No.	Description	Q'ty						I	R
				(A)	(B)	(C)	(D)	(E)	(F)		
1	1	123910-77210 (A=EK6509)	ALTERNATOR, 12V-80A	1							Z
2	2	123910-77740	ROTOR ASSY	1							
3	3	129900-77810	BEARING, BALL	1							
4	2	123910-77760	BRACKET ASSY	1							
5	2	129900-77890	BRACKET ASSY	1							
6	3	129900-77900	BEARING, BALL	1							
8	2	123910-77910	PULLEY, GENERATOR	1							
9	2	129900-77920	SCREW KIT	1							
10	1	129470-77340 (A=EK6509)	PIECE, DISTANCE	1							Z
11	1	26116-101202 (A=EK6509)	BOLT, M10X120 PLATED	1							Z
12	1	26306-100002 (A=EK6509)	NUT, M10	1							Z
13	1	129916-77300	ADJUSTER, BELT	1	1						
14	1	119810-77340	BOLT, ADJUST L=30	1	1						
15	1	26014-080252	BOLT, M8X 25	1							Z
16	1	198461-52950 (A=EK6509)	RELAY, CA TYPE C	2	2						1
17	1	129927-77690	WASHER, ECU	3	3						1
18	1	26106-080252	BOLT, M8X 25 PLATED	3	3						1

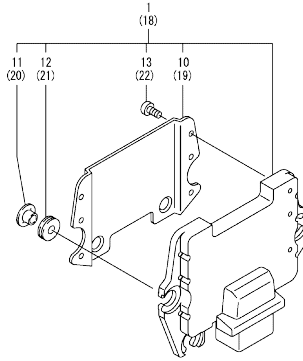
Remarks
(1) Loose parts.

Fig.17. ELECTRONIC CONTROL UNIT(ECU)

(A)=4TNV98-EPHYBU
 (B)=4TNV98-EPHYBUC
 (C)=

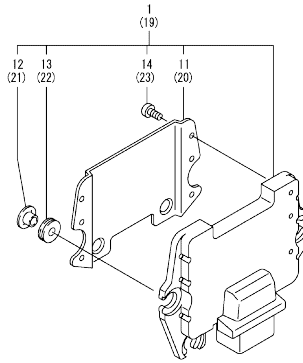
(D)=
 (E)=
 (F)=

No.	Lev.	Parts No.	Description	Q'ty						I	R
				(A)	(B)	(C)	(D)	(E)	(F)		
1	1	129921-75180	CONTROLLER ASSY, ECU	1							1
10	2	129927-77600	SHIELD, ECU	1							
11	2	129927-77680	COLLAR, CONTROLLER	3							
12	2	119578-91351	RUBBER, CONTROLLER	3							
13	2	22877-500080	SCREW, 5X 8	6							
18	1	129927-75900	ECU ASSY, SERVICE	1							2
19	2	129927-77600	SHIELD, ECU	1							
20	2	129927-77680	COLLAR, CONTROLLER	3							
21	2	119578-91351	RUBBER, CONTROLLER	3							
22	2	22877-500080	SCREW, 5X 8	6							



Remarks
 (1)Eco ECU
 This part cannot be ordered.
 Replace the part using a Service ECU with the proper engine information installed.
 (2)Service ECU
 If the proper information is not installed, the engine will not operate.
 To install proper information, go to an authorized distributor.

Fig.22. ELECTRONIC CONTROL UNIT(ECU)



(A)=4TNV98-EPHYBU
(B)=4TNV98-EPHYBUC
(C)=

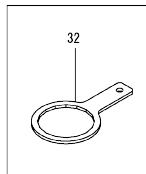
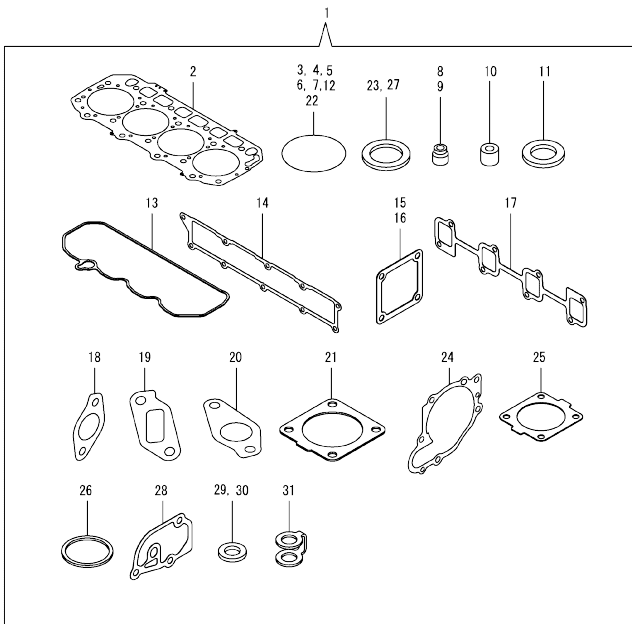
(D)=
(E)=
(F)=

No.	Lev.	Parts No.	Description	Q'ty						I	R	
				(A)	(B)	(C)	(D)	(E)	(F)			
1	1	129923-75050	ECU ASSY,98-EXPHYBUC		1						1	
11	2	129927-77600	SHIELD, ECU		1							
12	2	129927-77680	COLLAR, CONTROLLER		3							
13	2	119578-91351	RUBBER, CONTROLLER		3							
14	2	22877-500080	SCREW, 5X 8		6							
19	1	129927-75900	ECU ASSY, SERVICE		1							2
20	2	129927-77600	SHIELD, ECU		1							
21	2	129927-77680	COLLAR, CONTROLLER		3							
22	2	119578-91351	RUBBER, CONTROLLER		3							
23	2	22877-500080	SCREW, 5X 8		6							

Remarks

- (1)Eco ECU
This part cannot be ordered.
- Replace the part using a Service ECU with the proper engine information installed.
- (2)Service ECU
If the proper information is not installed, the engine will not operate.
- To install proper information, go to an authorized distributor.

Fig.18. GASKET SET



(A)=4TNV98-EPHYBU
(B)=4TNV98-EPHYBUC
(C)=

(D)=
(E)=
(F)=

No.	Lev.	Parts No.	Description	Q'ty						I	R
				(A)	(B)	(C)	(D)	(E)	(F)		
1	1	729927-92880	GASKET SET	1	1						
2	2	129907-01331	GASKET, HEAD	1	1						
3	2	129900-32030	O-RING, P20	2	2						
4	2	129900-32040	O-RING, P14	1	1						
5	2	24311-000070	O-RING, 1AP7.0	1	1						
6	2	24351-030750	O-RING, 1A3075	1	1						
7	2	24311-000320	O-RING, 1AP32.0	3	3						
8	2	119803-11340	SEAL, VALVE STEM	8	8						
9	2	124160-11340	SEAL, VALVE STEM	8	8						
10	2	119802-11870	PROTECTOR, NOZZLE	4	4						
11	2	119625-11880	SEAT, NOZZLE	4	4						
12	2	24311-000120	O-RING, 1AP12.0	8	8						
13	2	129933-11310	GASKET, BONNET	1	1						
14	2	129907-12110	GASKET, MANIFOLD	1	1						
15	2	119129-77020	GASKET	1	1						
16	2	121850-77021	GASKET, AIR HEATER	1	1						
17	2	129900-13251	GASKET, EXH.MANIFOLD	1	1						
18	2	129927-13810	GASKET	1	1						
19	2	129927-13910	GASKET, EGR	1	1						
20	2	129927-13920	GASKET, EGR	1	1						
21	2	129930-13201	GASKET, SILENCER	1	1						
22	2	24341-000530	O-RING, 1AS53.0	1	1						
23	2	22190-080002	WASHER, SEAL 8	7	7						
24	2	129900-42020	GASKET, WATER PUMP	1	1						
25	2	121850-49540	GASKET, THERMOSTAT	1	1						
26	2	121850-49550	GASKET, THERMOSTAT	1	1						
27	2	22190-120002	WASHER, SEAL 12	1	1						
28	2	129900-49870	GASKET, THERMOSTAT	1	1						
29	2	23414-080000	GASKET, 8X1.0	1	1						
30	2	124465-44950	GASKET, 16	2	2						
31	2	123907-59550	GASKET	5	5						
32	1	119640-92750	TOOL, FILTER WRENCH	1	1						1

Remarks
(1) Loose parts.

Parts No. Index

Parts No.	Fig. No.	Ref. No.	Parts No.	Fig. No.	Ref. No.	Parts No.	Fig. No.	Ref. No.	Parts No.	Fig. No.	Ref. No.
129907-12110	18	14	129927-51670	11	125	129940-77240	15	16	158557-61720	20	16
129907-14400	7	2		19	129	129940-77250	15	17	158563-51150	11	13
129907-25900	7	16	129927-53200	13	9	129940-77260	15	18	158563-51281	11	20
129907-51560	11	55	129927-59550	14	16	129940-77270	15	19			21
	19	58	129927-59810	13	47	129940-77280	15	20		19	23
129907-55801	14	2		21	47	129944-01500	2	3			24
129907-59140	14	13	129927-59820	13	48	129951-01740	2	26	158563-51330	11	32
129908-14581	7	3		21	48	129953-21581	8	12		19	35
129916-01790	3	6	129927-59830	13	49	129953-25300	7	15	158600-51270	11	19
129916-01800	2	34		21	49	129953-35000	9	7		19	22
129916-21610	8	7	129927-59840	13	50	129957-59120	14	6	158601-51550	11	54
129916-21620	8	8		21	50	129960-21640	8	9		19	57
129916-49530	10	20	129927-75900	17	18	129960-21930	8	10 -1	158601-51650	11	124
129916-77300	16	13		22	19	129960-21940	8	9 -1		19	128
129921-75180	17	1	129927-77600	17	10	129961-59110	14	11	158601-51770	11	97
129923-75050	22	1			19	129961-59310	14	8		19	100
129927-02930	1	24 -1		22	11	129981-01600	3	2	158601-51790	11	99
129927-11320	4	51			20	129E00-13650	6	7 -1		19	102
129927-11700	4	4	129927-77680	17	11	144626-51090	11	10	171031-11741	2	30
129927-12100	5	3			20		19	13	171051-01921	1	5
129927-12150	5	2		22	12	158552-51571	11	56	171056-49120	10	33
129927-13100	6	2			21		19	59	175339-79700	4	62
129927-13101	6	2 -1	129927-77690	16	17	158552-51580	11	59	198461-52950	16	16
129927-13150	6	1	129928-13900	6	13		19	62	22190-080002	9	20
129927-13800	6	9	129928-42410	10	14	158552-51670	11	126			22
129927-13810	6	10	129928-51900	11	3 D		19	130			24
	18	18		19	11	158552-51781	11	98		14	21
129927-13910	6	14	129930-13201	6	18		19	101		18	23
	18	19		18	21	158552-52100	11	128	22190-120002	10	26
129927-13920	6	15	129933-11310	4	60		19	132		11	102
	18	20		18	13	158552-52310	11	106			108
129927-22050	8	17	129938-49800	10	17	158552-52311	11	106 -1			131
129927-22080	8	15	129940-01720	3	7		19	110		12	28
129927-23600	8	27 -1	129940-77010	15	1	158552-52400	11	107		18	27
129927-25100	7	10 -1	129940-77011	15	1 -1		19	111		19	105
129927-39060	9	15	129940-77100	15	2	158552-52500	11	129			112
129927-42000	10	1	129940-77130	15	5		19	133			135
129927-42001	10	1 -1	129940-77140	15	6	158553-51670	11	64		20	28
129927-42140	2	17 A	129940-77150	15	7		19	67	22190-180002	11	103
129927-44900	10	18	129940-77160	15	8	158553-51680	11	76		19	106
129927-49610	10	36	129940-77170	15	9		19	79	22217-050000	11	132
129927-49620	10	40	129940-77171	15	9 -1	158553-51930	11	101		19	136
129927-51250	11	137	129940-77180	15	10		12	2	22217-180000	11	109
	19	141	129940-77181	15	10 -1		19	104		19	113
129927-51390	11	22	129940-77190	15	11		20	2	22252-000300	8	22
	19	25	129940-77200	15	12	158553-61780	12	27	22312-050140	11	110
129927-51650	11	121	129940-77210	15	13		20	27		19	114
	19	125	129940-77220	15	14	158557-51570	11	57	22351-050010	11	111
129927-51660	11	122	129940-77221	15	14 -1		19	60		19	115
	19	126	129940-77230	15	15	158557-61720	12	16	22351-060012	1	11

Parts No. Index

Parts No.	Fig. No.	Ref. No.
22512-070140	7	7
	8	6
22857-500100	4	63
		64
22877-500080	17	13
		22
	22	14
		23
23080-012000	10	39
		43
23414-080000	10	30
	18	29
23857-030000	9	21
23875-030000	10	27
23876-020000	4	8
23876-030000	1	12
		13
		14
	4	9
24311-000070	2	18
	11	112
	18	5
	19	116
24311-000120	4	29
		67
	18	12
24311-000320	2	25
		31
	4	68
	18	7
24341-000480	12	22
	20	22
24341-000530	8	10
	18	22
24351-030750	2	19
	18	6
24356-010200	11	67
		113
24356-020210	11	114
24356-190200	11	67 -1
		113 -1
	19	70
		117
24356-240210	11	114 -1
	19	118
24372-000150	11	68
	19	71
25153-004400	10	15
		44
26014-080162	10	16

Parts No.	Fig. No.	Ref. No.
26014-080252	16	15
26018-080162	10	16 -1
26106-060102	11	115
	19	119
26106-060122	4	65
	11	133
	19	137
26106-060162	12	23
	20	23
26106-060202	10	28
26106-060252	12	29
	20	29
26106-060302	10	12
26106-060352	11	116
	19	120
26106-080122	3	10
	9	12
		13 -1
		23
		25
	10	31
26106-080142	7	8 -1
26106-080162	2	20
		37
	4	2
	7	8
	9	13
26106-080202	2	21
		27
	11	138
	19	142
26106-080252	12	24
	16	18
	20	24
26106-080302	11	139
	14	3
	19	143
26106-080402	2	38
	4	46
	5	11
26106-080452	2	22
		28
	5	5
26106-080552	7	14
	10	13
26106-080602	4	47
		48
	10	32
26106-080702	2	39
26106-080752	2	29

Parts No.	Fig. No.	Ref. No.
26106-080802	5	6
26106-080902	5	12
26106-100302	6	11
		16
26106-100952	6	17
26106-120252	15	31 -1
26116-101202	16	11
26116-120252	15	31
26206-100352	3	4
26206-100702	3	5
26216-060202	5	4
26216-100302	2	15
26226-080222	4	45
26306-080002	4	49
	6	8
		12
26306-100002	2	23
		16
26366-060002	13	51
	21	51
26450-100452	11	117
	19	121
26716-050002	11	134
	19	138
26776-180002	11	118
	19	122
27241-160000	11	135
	19	139
27241-300000	1	10
27241-400000	4	10
27310-070001	4	22
729900-02801	1	29
729907-01559	2	32
729921-51360	19	1
729927-01560	1	1
729927-22900	8	32
729927-22950	8	34
729927-53200	13	1
729927-53400	21	1
729927-92880	18	1
729938-51340	11	1
X2240610100	15	23

Parts No.	Fig. No.	Ref. No.
-----------	----------	----------