

0CW10-M53602EN

P R E F A C E

This parts catalog is the 3rd edition of 4TNV98-EPDBWK for DOOSAN INFRACORE.

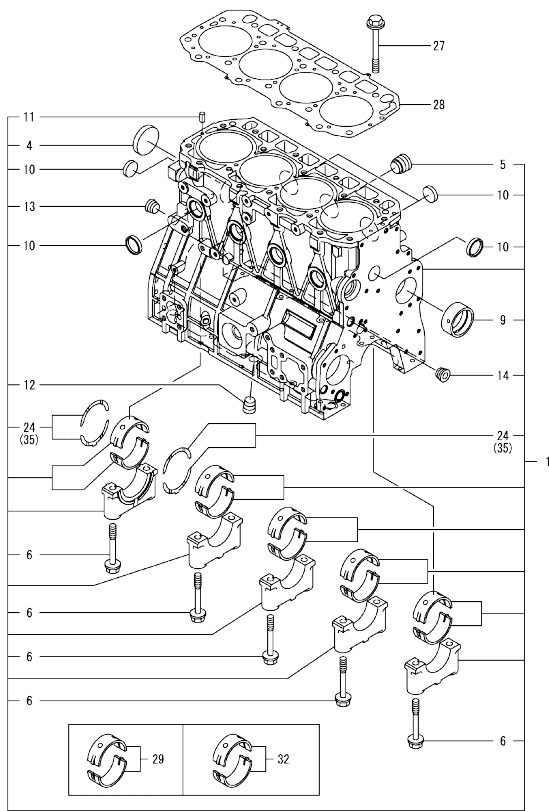
Published : April, 2019

Contents

0CW10-M53602

Fig. No.	Fig. Name	Fig. No.	Fig. Name
ENGINE			
1.	CYLINDER BLOCK		
2.	GEAR HOUSING		
3.	FLYWHEEL HOUSING & OIL SUMP		
4.	CYLINDER HEAD & BONNET		
5.	SUCTION MANIFOLD		
6.	EXHAUST MANIFOLD		
7.	CAMSHAFT & DRIVING GEAR		
8.	CRANKSHAFT & PISTON		
9.	LUB. OIL SYSTEM		
10.	COOLING WATER SYSTEM		
11.	FUEL INJECTION PUMP		
12.	GOVERNOR		
13.	FUEL INJECTION VALVE		
14.	FUEL PIPE		
15.	STARTER MOTOR		
16.	GENERATOR		
17.	ELECTRONIC CONTROL UNIT(ECU)		
18.	GASKET SET		

Fig.1. CYLINDER BLOCK



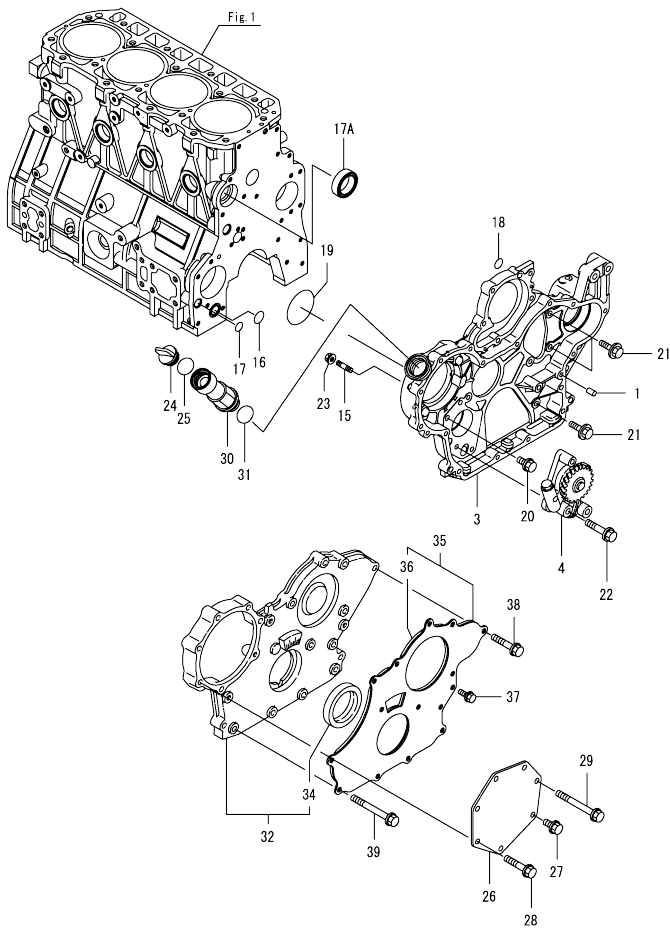
(A)=4TNV98-EPDBWK
(B)=
(C)=

(D)=
(E)=
(F)=

No.	Lev.	Parts No.	Description	Q'ty						I	R
				(A)	(B)	(C)	(D)	(E)	(F)		
1	1	729927-01560	BLOCK ASSY, CYLINDER	1							
4	2	129900-01250	PLUG, 55	1							
5	2	171051-01921	PLUG, NPTF1	1							
6	2	129900-02020	BOLT, METAL CAP	10							
9	2	129900-02410	BUSH, CAMSHAFT	1							
10	2	27241-300000	PLUG 30	8							
11	2	22351-060012	PIN, SPRING 6.0X12	2							
12	2	23876-030000	PLUG, R03	1							
13	2	23876-030000	PLUG, R03	1							
14	2	23876-030000	PLUG, R03	1							
24	2	129900-02931	METAL ASSY, THRUST	2							
24-1	2	129927-02930	BEARING ASSY, THRUST	2							R
(A=E14971A)											
27	1	129900-01200	BOLT, CYLINDER HEAD	18							
28	1	129907-01331	GASKET, HEAD	1							
29	1	729900-02801	METAL ASSY, MAIN	5							1
29-1	1	729927-02800	BEARING ASSY, MAIN	5							R 1
(A=E14971A)											
32	1	129900-02341	METAL ASSY, MAIN .25	5							2
32-1	1	129927-02340	BEARING ASSY, MAIN US	5							R 2
(A=E14971A)											
35	1	129900-02941	METAL ASSY, 0.25 OS	2							3
35-1	1	129927-02940	BEARING, THRUST 0.25OS	2							R 3
(A=E14971A)											

Remarks
 (1) Spare parts.
 (2) Under-sized (U.S.=0.25) parts.
 (3) Over-sized (O.S.=0.25) parts.

Fig.2. GEAR HOUSING

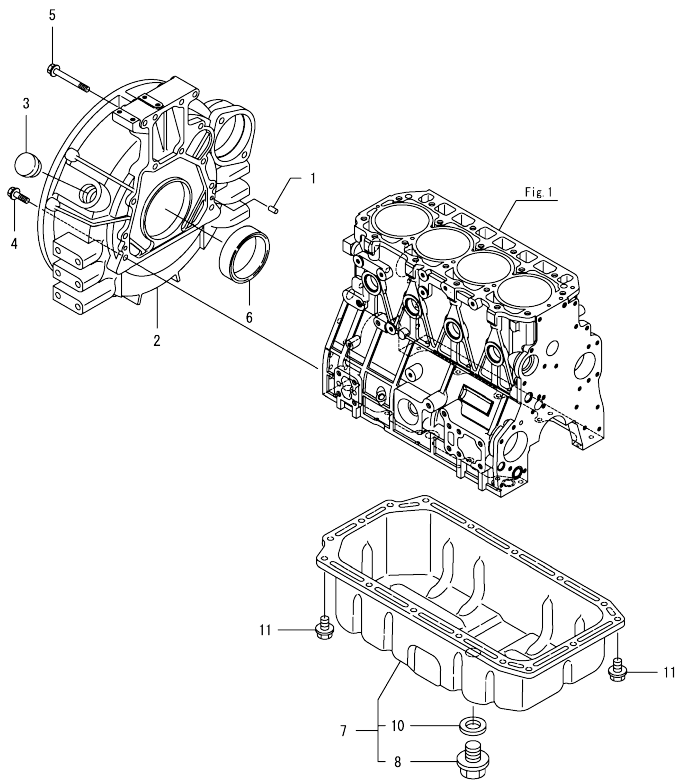


(A)=4TNV98-EPDBWK
(B)=
(C)=

(D)=
(E)=
(F)=

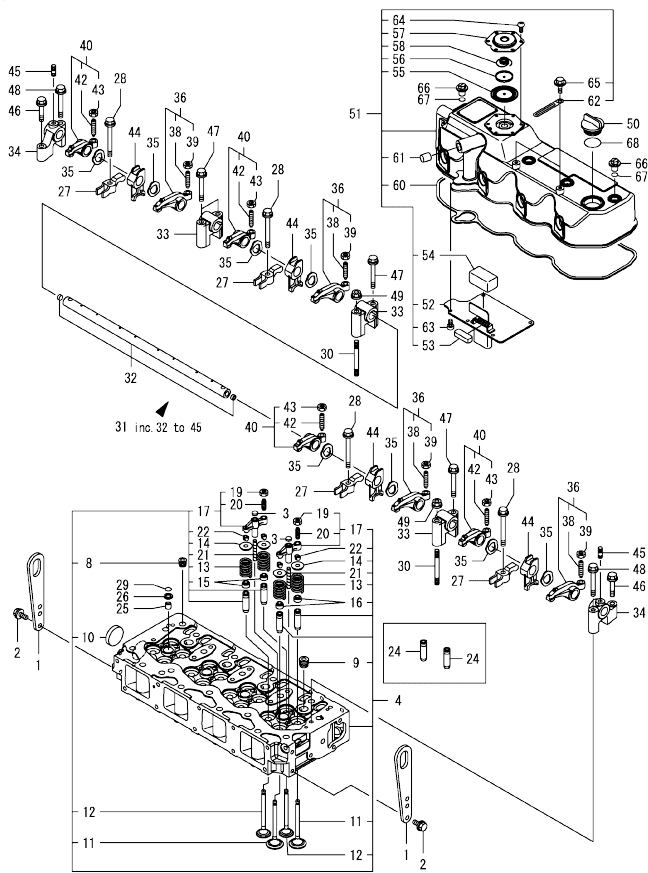
No.	Lev.	Parts No.	Description	Qty						I	R
				(A)	(B)	(C)	(D)	(E)	(F)		
1	1	129100-01580	PIN, PARALLEL 8X16	4							
3	1	129944-01500	CASE, GEAR	1							
4	1	129900-32001	PUMP ASSY, OIL	1							
15	1	26216-100302	STUD, M10X 30	4							
16	1	129900-32030	O-RING, P20	1							
17	1	129900-32040	O-RING, P14	1							
17A	1	129927-42140	GASKET, PUMP OUTLET	1							W
(A=EU9813)											
18	1	24311-000070	O-RING, 1AP7.0	1							
19	1	24351-030750	O-RING, 1A3075	1							
20	1	26106-080162	BOLT, M8X 16 PLATED	1							
21	1	26106-080202	BOLT, M8X 20 PLATED	3							
22	1	26106-080452	BOLT, M8X 45 PLATED	3							
23	1	26306-100002	NUT, M10	4							
24	1	124160-01751	CAP, FILLER	1							
25	1	24311-000320	O-RING, 1AP32.0	1							
26	1	129951-01740	COVER, PUMP TIMING	1							
27	1	26106-080202	BOLT, M8X 20 PLATED	1							
28	1	26106-080452	BOLT, M8X 45 PLATED	5							
29	1	26106-080752	BOLT, M8X 75 PLATED	1							
30	1	171031-11741	PIPE, FILLER	1							
31	1	24311-000320	O-RING, 1AP32.0	1							
32	1	729907-01559	COVER ASSY, CASE	1							
34	2	129916-01800	SEAL, OIL	1							
35	1	129900-01850	COVER ASSY, CASE	1							
36	2	129900-01870	SPONGE, COVER	1							
37	1	26106-080162	BOLT, M8X 16 PLATED	3							
38	1	26106-080402	BOLT, M8X 40 PLATED	5							
39	1	26106-080702	BOLT, M8X 70 PLATED	6							

Fig.3. FLYWHEEL HOUSING & OIL SUMP



No.	Lev.	Parts No.	Description	Q'ty						I	R
				(A)	(B)	(C)	(D)	(E)	(F)		
1	1	129100-01580	PIN, PARALLEL 8X16		2						
2	1	129981-01600	HOUSING, FLYWHEEL		1						
3	1	119620-01750	CAP, WHEEL COVER		1						
4	1	26206-100352	BOLT, M10X 35 PLATED		9						
5	1	26206-100702	BOLT, M10X 70 PLATED		4						
6	1	129916-01790	SEAL, D115/95XT11		1						
7	1	129916-01710	OIL PAN ASSY		1						
8	2	119640-01640	PLUG, DRAIN M22		1						
10	2	22190-220002	WASHER, SEAL 22		1						
11	1	26106-080122	BOLT, M8X 12 PLATED		16						

Fig.4. CYLINDER HEAD & BONNET



(A)=4TNV98-EPDBWK
(B)=
(C)=

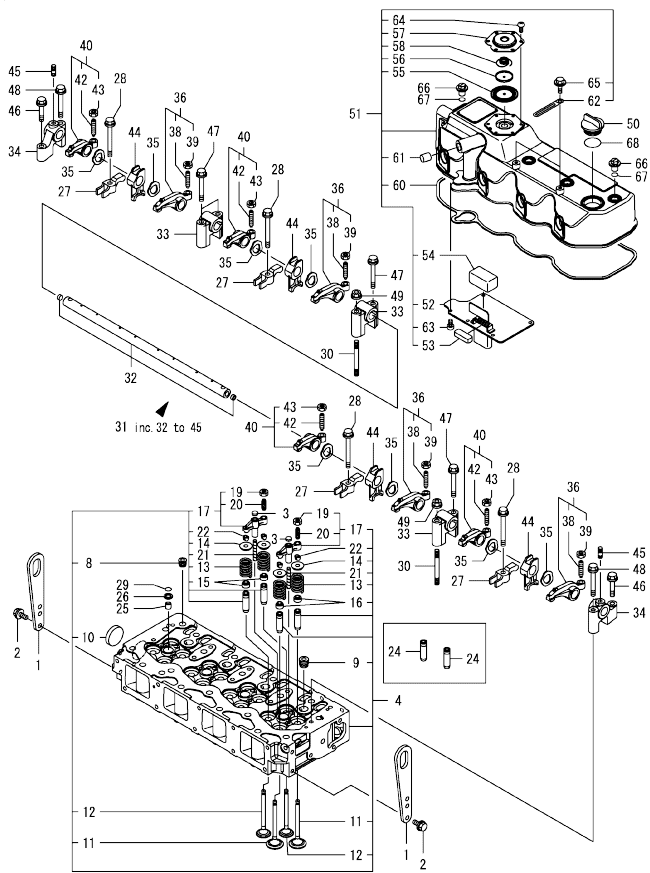
(D)=
(E)=
(F)=

No.	Lev.	Parts No.	Description	Q'ty						I	R
				(A)	(B)	(C)	(D)	(E)	(F)		
1	1	129900-07900	LIFTER, ENGINE	2							
2	1	26106-080162	BOLT, M8X 16 PLATED	4							
3	1	123907-11550	SEAT, VALVE BRIDGE	8							
4	1	129927-11700	HEAD ASSY, CYLINDER	1							
8	2	23876-020000	PLUG, R02	1							
9	2	23876-030000	PLUG, R03	4							
10	2	27241-400000	PLUG, 40	1							
11	2	129907-11100	VALVE, INTAKE	8							
12	2	129907-11110	VALVE, EXHAUST	8							
13	2	129907-11120	SPRING, VALVE	16							
14	2	119620-11180	RETAINER, SPRING	16							
15	2	119803-11340	SEAL, VALVE STEM	8							
16	2	124160-11340	SEAL, VALVE STEM	8							
17	2	129907-11510	BRIDGE ASSY, VALVE	8							
19	3	129150-11750	NUT, M8XP1.0	8							
20	3	123907-11830	ADJUSTER, BRIDGE	8							
21	2	123907-11820	GUIDE, BRIDGE	8							
22	2	27310-070001	COTTER, 7	16							
24	1	129907-11800	GUIDE, VALVE	16							1
25	1	119802-11870	PROTECTOR, NOZZLE	4							
26	1	119625-11880	SEAT, NOZZLE	4							
27	1	129907-11910	RETAINER, NOZZLE	4							
27-1	1	129907-11960	RETAINER, NOZZLE	4							R
(A=E28964A)											
28	1	129907-11950	BOLT, VALVE HOLDER	4							
29	1	24311-000120	O-RING, 1AP12.0	4							
30	1	119593-11301	STUD, M8X80	2							
31	1	129907-11341	SUPPORT ASSY, ROCKER	1							
32	2	129907-11250	SHAFT, ROCKER ARM	1							
33	2	129907-11260	SUPPORT, ROCKER A	3							
34	2	129907-11270	SUPPORT, ROCKER B	2							
35	2	123907-11280	WASHER, WAVE	8							
36	2	129907-11650	ARM ASSY, ROCKER INT	4							
38	3	129150-11230	SCREW, VALVE ADJUST	4							
39	3	129150-11750	NUT, M8XP1.0	4							
40	2	129907-11660	ARM ASSY, ROCKER EXH	4							
42	3	129150-11230	SCREW, VALVE ADJUST	4							
43	3	129150-11750	NUT, M8XP1.0	4							
44	2	129907-11920	RETAINER, NOZZLE	4							
45	2	26226-080222	STUD, M8X 22	2							
46	1	26106-080402	BOLT, M8X 40 PLATED	2							
47	1	26106-080602	BOLT, M8X 60 PLATED	4							
48	1	26106-080602	BOLT, M8X 60 PLATED	2							
49	1	26306-080002	NUT, M8	2							
50	1	124160-01751	CAP, FILLER	1							
51	1	129927-11320	BONNET ASSY, HEAD	1							
52	2	129907-03011	PLATE, BAFFLE	1							
53	2	129907-03061	BAFFLE, BREATHER	1							
54	2	129907-03070	BAFFLE, BREATHER	1							
55	2	123907-03100	DIAPHRAGM, BREATHER	1							
56	2	123907-03110	PLATE, CENTER	1							

Remarks
(1)Spare parts.

N:Old $\frac{New}{Old}$ New, Q:Old $\frac{New}{Old}$ New, R:Old $\frac{New}{Old}$ New, S:Old $\frac{New}{Old}$ New, W:Add, Z:Discontinued, F:Interchangeable by set, K:Q'ty Change
++ CONTINUE ++ Copyright (C) 2019 YANMAR GLOBAL CS CO., LTD. All Rights Reserved.

Fig.4. CYLINDER HEAD & BONNET



(A)=4TNV98-EPDBWK
(B)=
(C)=

(D)=
(E)=
(F)=

No.	Lev.	Parts No.	Description	(A)	(B)	(C)	(D)	(E)	(F)	I	R
57	2	123907-03120	PLATE, BREATHER								
58	2	123907-03140	SPRING, DIAPHRAGM								
60	2	129933-11310	GASKET, BONNET								
61	2	119640-61400	PLUG								
62	2	175339-79700	CLIP								
63	2	22857-500100	SCREW, 5X10								
64	2	22857-500100	SCREW, 5X10								
65	2	26106-060122	BOLT, M6X 12 PLATED								
66	1	124160-11360	KNOB, BONNET								
67	1	24311-000120	O-RING, 1AP12.0								
68	1	24311-000320	O-RING, 1AP32.0								

Remarks

(1)Spare parts.

Fig.5. SUCTION MANIFOLD

(A)=4TNV98-EPDBWK
(B)=
(C)=

(D)=
(E)=
(F)=

No.	Lev.	Parts No.	Description	Q'ty						I	R
				(A)	(B)	(C)	(D)	(E)	(F)		
1	1	129907-12110	GASKET, MANIFOLD	1							
2	1	129927-12150	MANIFOLD ASSY,INTAKE	1							
3	2	129927-12100	MANIFOLD, AIR INTAKE	1							
4	2	26216-060202	STUD, M6X 20		2						
5	1	26106-080452	BOLT, M8X 45 PLATED		6						
6	1	26106-080802	BOLT, M8X 80 PLATED		4						
7	1	119129-77020	GASKET, AIR HEATER	1							
8	1	121850-77021	GASKET, AIR HEATER	1							
9	1	119005-77051	HEATER, AIR	1							
10	1	119129-77520	BEND, INLET	1							
11	1	26106-080402	BOLT, M8X 40 PLATED		2						
12	1	26106-080902	BOLT, M8X 90 PLATED		2						

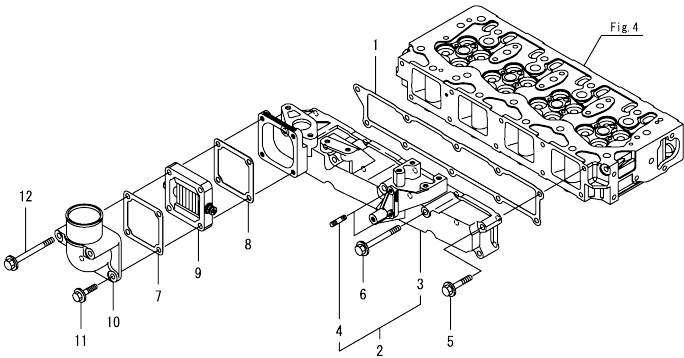
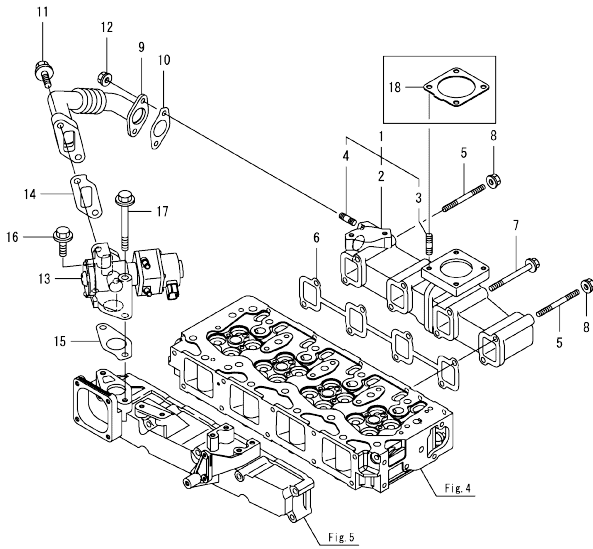


Fig.6. EXHAUST MANIFOLD

(A)=4TNV98-EPDBWK
(B)=
(C)=

(D)=
(E)=
(F)=

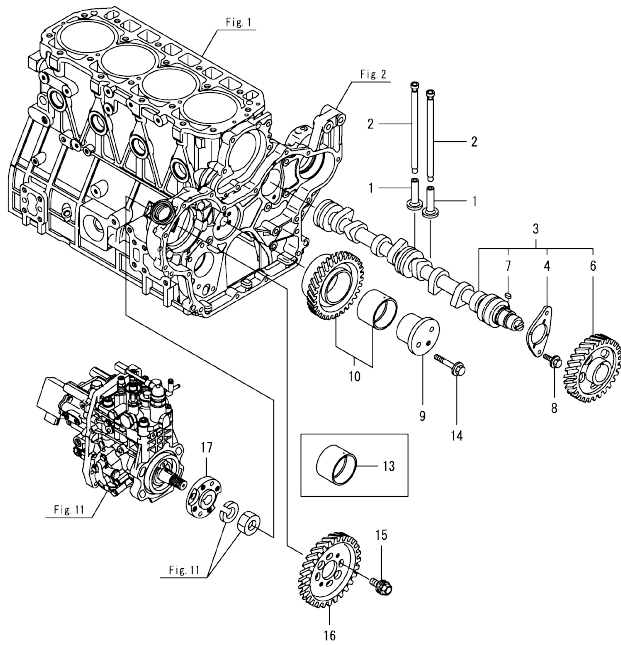
No.	Lev.	Parts No.	Description	Q'ty						I	R
				(A)	(B)	(C)	(D)	(E)	(F)		
1	1	129927-13150	MANIFOLD ASSY	1							
2	2	129927-13100	MANIFOLD, EXHAUST	1							
2-1	2	129927-13101	MANIFOLD, EXHAUST	1							R
(A=EU9813)											
3	2	119131-18320	STUD, M8X22	4							
4	2	129418-18320	STUD, M8X20	2							
5	1	129263-13210	STUD, M8X90	2							
6	1	129900-13251	GASKET, MANIFOLD	1							
7	1	119802-13680	BOLT, M8X90 10.9T	6							
7-1	1	129E00-13650	BOLT, M8X90 10.9T	6							N
(A=EU9813)											
8	1	26306-080002	NUT, M8	2							
9	1	129927-13800	PIPE ASSY, EGR	1							
10	1	129927-13810	GASKET, EGR PIPE	1							
11	1	26106-100302	BOLT, M10X 30 PLATED	2							
12	1	26306-080002	NUT, M8	2							
13	1	129928-13900	VALVE, EGR	1							
14	1	129927-13910	GASKET, EGR	1							
15	1	129927-13920	GASKET, EGR	1							
16	1	26106-100302	BOLT, M10X 30 PLATED	1							
17	1	26106-100952	BOLT, M10X 95 PLATED	1							
18	1	129930-13201	GASKET, SILENCER	1							1



Remarks

(1) Loose parts.

Fig.7. CAMSHAFT & DRIVING GEAR



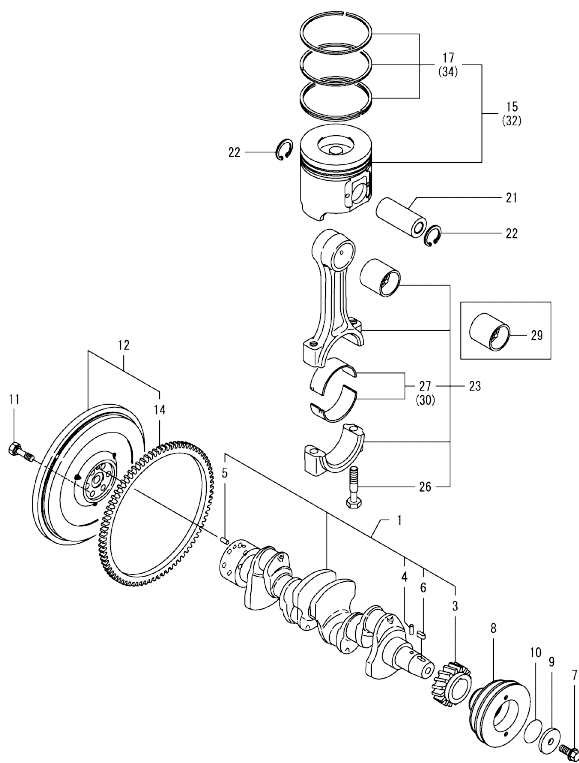
(A)=4TNV98-EPDBWK
(B)=
(C)=

(D)=
(E)=
(F)=

No.	Lev.	Parts No.	Description	Q'ty						I	R
				(A)	(B)	(C)	(D)	(E)	(F)		
1	1	129150-14200	TAPPET	8							
2	1	129907-14400	ROD, PUSH	8							
3	1	129908-14581	CAMSHAFT ASSY	1							
3-1	1	129932-14580	CAMSHAFT ASSY	1							N
		(A=E16905A)									
4	2	129150-02450	METAL, THRUST	1							
6	2	129900-14100	GEAR, CAMSHAFT	1							
7	2	22512-070140	KEY, 7X 14	1							
8	1	26106-080162	BOLT, M8X 16 PLATED	2							
8-1	1	26106-080142	BOLT, M8X 14 PLATED	2							N
		(A=EU9813)									
9	1	123900-25060	SHAFT, IDLE GEAR	1							
10	1	129900-25100	GEAR ASSY, IDLE	1							
10-1	1	129927-25100	GEAR ASSY, IDLE	1							R
		(A=E17445A)									
13	1	129150-25920	BUSH, IDLE GEAR	1							1
13-1	1	129927-25920	BUSH, IDLE GEAR	1							R 1
		(A=E17445A)									
14	1	26106-080552	BOLT, M8X 55 PLATED	3							
15	1	129953-25300	BOLT, PUMP BODY	4							
16	1	129907-25900	GEAR, PUMP	1							
17	1	158563-51150	FLANGE	1							

Remarks
(1)Spare parts.

Fig.8. CRANKSHAFT & PISTON



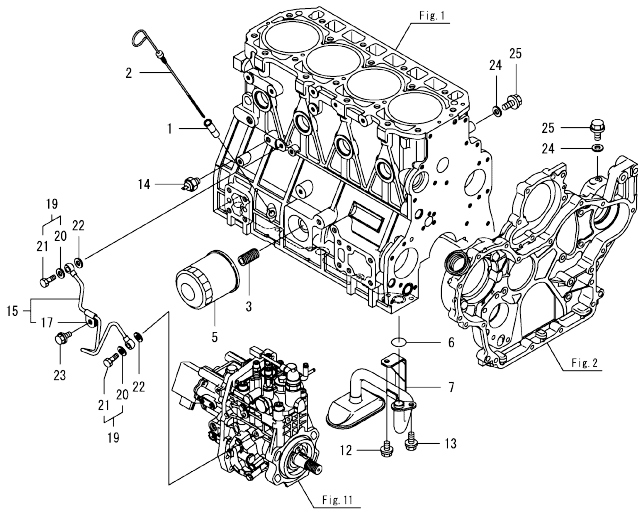
(A)=4TNV98-EPDBWK
(B)=
(C)=

(D)=
(E)=
(F)=

No.	Lev.	Parts No.	Description	Q'ty						I	R
				(A)	(B)	(C)	(D)	(E)	(F)		
1	1	129902-21000	CRANKSHAFT ASSY	1							
3	2	129900-21200	GEAR, CRANKSHAFT	1							
4	2	121850-21290	PIN, CRANK GEAR	1							
5	2	121850-21920	PIN, PARALLEL 10X22	1							
6	2	22512-070140	KEY, 7X 14	1							
7	1	129916-21610	BOLT, V-PULLEY	1							
8	1	129916-21620	V-PULLEY, CRANKSHAFT	1							
9	1	129960-21640	WASHER	1							
9-1	1	129960-21940	WASHER, V-PULLEY	1							R
(A=EU9813)											
10	1	24341-000530	O-RING, 1AS53.0	1							
10-1	1	129960-21930	GASKET, WASHER	1							R
(A=EU9813)											
11	1	121850-21130	BOLT, FLYWHEEL	6							
12	1	129916-21590	FLYWHEEL ASSY	1							
14	2	129900-21600	GEAR, RING	1							
15	1	129927-22080	PISTON ASSY	4							
17	2	129927-22050	RING SET, PISTON	4							
21	1	120130-22301	PIN, PISTON	4							
22	1	22252-000300	RING, 30	8							
23	1	129900-23001	ROD ASSY, CONNECTING	4							
26	2	129900-23200	BOLT, CONNECTING ROD	8							
27	2	129900-23601	METAL ASSY, CRANK PIN	4							
27-1	2	129927-23600	BEARING ASSY, PIN	4							R
(A=E13731A)											
29	1	129900-23911	METAL, PISTON PIN	4							1
30	1	129900-23611	METAL ASSY, PIN .25	4							2
30-1	1	129927-23610	BEARING ASSY, PIN US	4							R 2
(A=E13731A)											
32	1	729927-22900	PISTON ASSY, 0.25 OS	4							3
34	2	729927-22950	RING SET, PISTON .25	4							3

Remarks
 (1) Spare parts.
 (2) Under-sized (U.S.=0.25) parts.
 (3) Over-sized (O.S.=0.25) parts.

Fig.9. LUB. OIL SYSTEM



(A)=4TNV98-EPDBWK
(B)=
(C)=

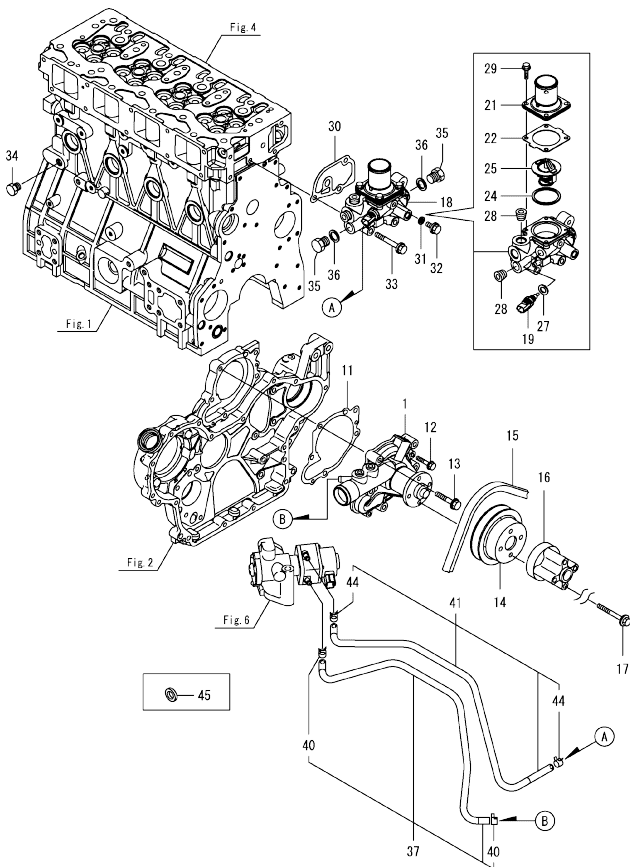
(D)=
(E)=
(F)=

No.	Lev.	Parts No.	Description	Q'ty						I	R
				(A)	(B)	(C)	(D)	(E)	(F)		
1	1	121520-34810	GUIDE, DIPSTICK	1							
2	1	129906-34851	DIPSTICK, OIL	1							
3	1	119000-35140	BOLT, FILTER	1							
5	1	119005-35151	FILTER, OIL D80X100	1							1
6	1	129900-32030	O-RING, P20	1							
7	1	129953-35000	PIPE ASSY, OIL INLET	1							
12	1	26106-080122	BOLT, M8X 12 PLATED	1							
13	1	26106-080162	BOLT, M8X 16 PLATED	1							
13-1	1	26106-080122	BOLT, M8X 12 PLATED	1							S
(A=EX3905)											
14	1	119761-39450	SWITCH, HYDRAULIC	1							
15	1	129927-39060	PIPE ASSY, OIL	1							
17	2	123907-39500	RETAINER, PIPE	1							
19	1	129005-59830	BOLT ASSY, JOINT M8	2							
20	2	22190-080002	WASHER, SEAL 8	2							
21	2	23857-030000	BOLT, JOINT 3	2							
22	1	22190-080002	WASHER, SEAL 8	2							
23	1	26106-080122	BOLT, M8X 12 PLATED	1							
24	1	22190-080002	WASHER, SEAL 8	2							
25	1	26106-080122	BOLT, M8X 12 PLATED	2							

Remarks

(1)Spare parts.

Fig.10. COOLING WATER SYSTEM



(A)=4TNV98-EPDBWK
(B)=
(C)=

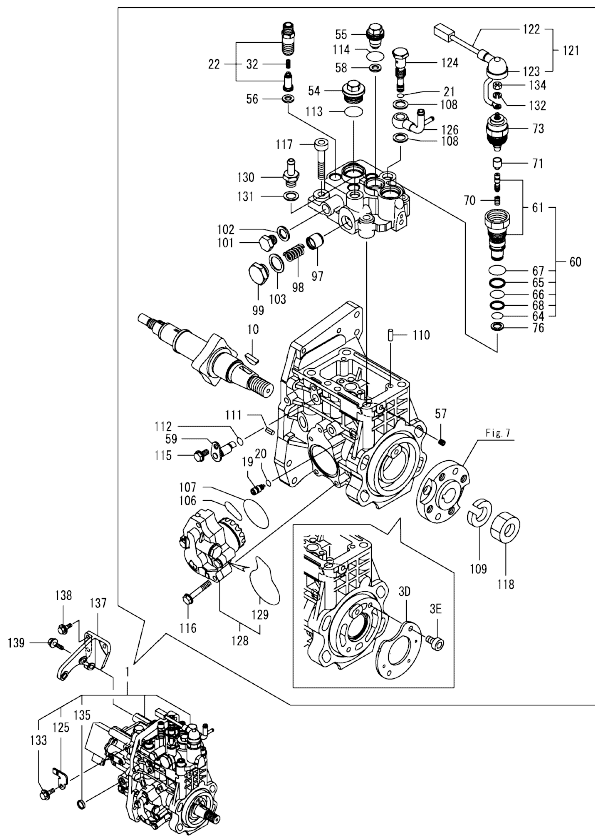
(D)=
(E)=
(F)=

No.	Lev.	Parts No.	Description	Q'ty						I	R
				(A)	(B)	(C)	(D)	(E)	(F)		
1	1	129927-42000	PUMP ASSY, WATER	1							
1-1	1	129927-42001 (A=EU9813)	PUMP ASSY, WATER	1							R
1-2	1	129927-42002 (A=E29582A)	PUMP ASSY, CW	1							N
11	1	129900-42020	GASKET, WATER PUMP	1							
12	1	26106-060302	BOLT, M6X 30 PLATED	2							
13	1	26106-080552	BOLT, M8X 55 PLATED	5							
14	1	129928-42410	V-PULLEY, PUMP	1							
15	1	25153-004400	V-BELT, B44	1							
16	1	119117-44760	SPACER, FAN	1							
17	1	26106-080802	BOLT, M8X 80 PLATED	4							
18	1	129938-49800	CASE ASSY, THERMOSTAT	1							
19	2	129927-44900	SENSOR, TEMPERATURE	1							
21	2	129916-49530	COVER, THERMOSTAT	1							
22	2	121850-49540	GASKET, THERMOSTAT	1							
24	2	121850-49550	GASKET, THERMOSTAT	1							
25	2	121850-49800	THERMOSTAT, 82C	1							
25-1	2	121850-49801 (A=EE9673)	THERMOSTAT, 82C	1							N
27	2	22190-120002	WASHER, SEAL 12	1							
28	2	23875-030000	PLUG, R03	2							
29	2	26106-060202	BOLT, M6X 20 PLATED	4							
30	1	129900-49870	GASKET, THERMOSTAT	1							
31	1	23414-080000	GASKET, 8X1.0	1							
32	1	26106-080122	BOLT, M8X 12 PLATED	1							
33	1	26106-080602	BOLT, M8X 60 PLATED	3							
34	1	171056-49120	PLUG, DRAIN R1/4	1							
35	1	121450-42450	PLUG, M16	2							
36	1	124465-44950	GASKET, 16	2							
37	1	129927-49610	HOSE ASSY, WATER A	1							
40	2	23080-012000	CLAMP, 12	2							
41	1	129927-49620	HOSE ASSY, WATER B	1							
44	2	23080-012000	CLAMP, 12	2							
45	1	129150-49360 (A=EE9673)	GASKET, 10	1							W 1

Remarks

(1) Loose parts.

Fig.11. FUEL INJECTION PUMP



(A)=4TNV98-EPDBWK
(B)=
(C)=

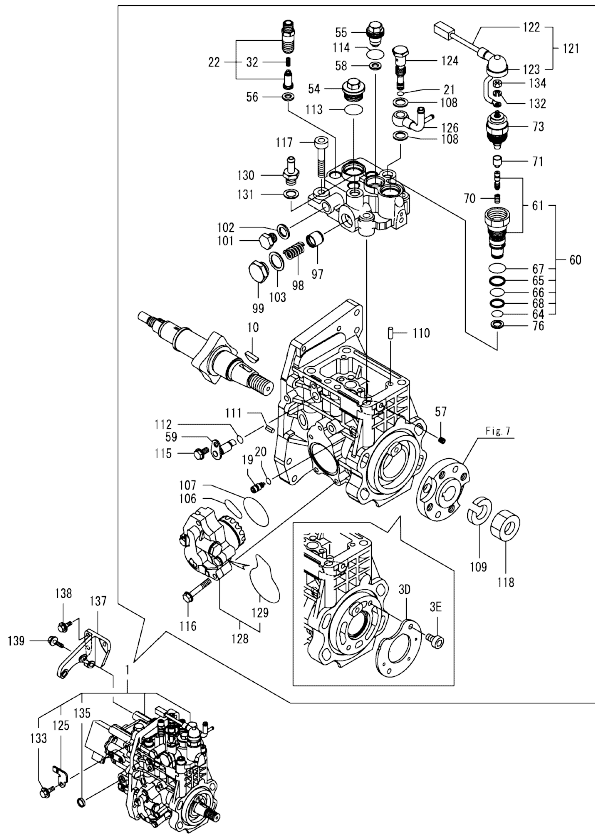
(D)=
(E)=
(F)=

No.	Lev.	Parts No.	Description	Q'ty						I	R
				(A)	(B)	(C)	(D)	(E)	(F)		
1	1	729938-51340	PUMP ASSY, INJECTION	1							1
1-1	1	729921-51360 (A=EE9673)	PUMP ASSY, INJECTION	1							S 1
3D	2	129928-51900 (A=EE9673)	COVER, OIL	1							W
3E	2	129008-51920	BOLT, M6X10	2							W
10	2	144626-51090	KEY, FEATHER 5X19	1							
19	2	158600-51270	STOPPER, TAPPET	1							
20	2	158563-51281	O-RING, 4D S6	1							
21	2	158563-51281	O-RING, 4D S6	1							
22	2	129927-51390	VALVE ASSY, DELIVERY	4							
32	3	158563-51330	SPRING, DELIVERY	4							
54	2	158601-51550	PLUG, M22	1							
55	2	129907-51560	PLUG, M16	1							
56	2	158552-51571	GASKET, BARREL PLUG	4							
57	2	158557-51570	PLUG, RACK	1							
58	2	129906-51580	GASKET, BARREL PLUG	1							
59	2	158552-51580	LIFTER, LINK	1							
60	2	129657-51590	TIMER ASSY	1							
61	3	129657-51600	TIMER ASSY	1							
64	3	158553-51670	O-RING, PUMP TIMER	1							
65	3	119802-51680	RING, BACKUP	1							
66	3	119802-51690	O-RING, 1016	1							
67	3	24356-010200	O-RING, 4D1020	1							
67-1	3	24356-190200	O-RING, 4D19020	1							R
		(A=EE9673)									
68	3	24372-000150	RING, BACK UP T2P15	1							
70	2	119852-51630	SPRING, TIMER	1							
71	2	119852-51640	CAP, TIMER	1							
73	2	119852-51650	VALVE ASSY, SOLENOID	1							
76	2	158553-51680	GASKET, TIMER	1							
97	2	158601-51770	PISTON, ACCUMULATOR	1							
98	2	158552-51781	SPRING, ACCUMULATOR	1							
99	2	158601-51790	PLUG, ACCUMULATOR	1							
101	2	158553-51930	PLUG, M12	1							
102	2	22190-120002	WASHER, SEAL 12	1							
103	2	22190-180002	WASHER, SEAL 18	1							
106	2	158552-52310	O-RING, FEED PUMP	1							
106-1	2	158552-52311	O-RING, FEED PUMP	1							R
		(A=EE9673)									
107	2	158552-52400	O-RING, 4E S42	1							
108	2	22190-120002	WASHER, SEAL 12	2							
109	2	22217-180000	WASHER, SPRING 18	1							
110	2	22312-050140	PIN, PARALLEL 5X14	2							
111	2	22351-050010	PIN, SPRING 5.0X10	2							
112	2	24311-000070	O-RING, 1AP7.0	1							
113	2	24356-010200	O-RING, 4D1020	1							
113-1	2	24356-190200	O-RING, 4D19020	1							R
		(A=EE9673)									
114	2	24356-020210	O-RING, 4D2021	1							

N:Old $\frac{New}{Old}$ New, Q:Old $\frac{New}{Old}$ New, R:Old $\frac{New}{Old}$ New, S:Old $\frac{New}{Old}$ New, W:Add, Z:Discontinued, F:Interchangeable by set, K:Q'ty Change
 ++ CONTINUE ++
 Copyright (C) 2019 YANMAR GLOBAL CS CO., LTD. All Rights Reserved.

Remarks
 (1)Governor(Fig.12) is incorporated in this Fuel Injection Pump(No.1).
 (1)Eco pump
 Make sure to update the engines ECU information when replacing the Eco pump.
 Failing to do so will result in engine malfunction.

Fig.11. FUEL INJECTION PUMP



(A)=4TNV98-EPDBWK
(B)=
(C)=

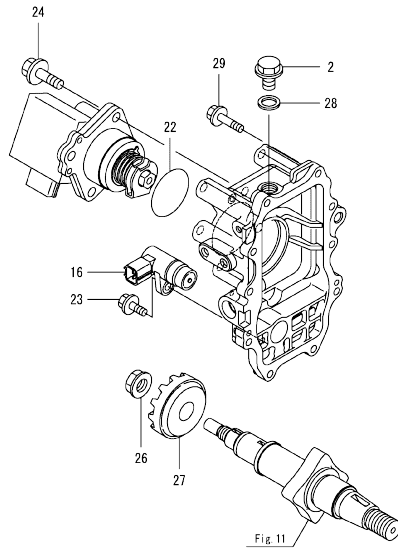
(D)=
(E)=
(F)=

No.	Lev.	Parts No.	Description	Q'ty						I	R
				(A)	(B)	(C)	(D)	(E)	(F)		
114-1	2	24356-240210 (A=EE0673)	O-RING, 4D24021	1							R
115	2	26106-060102	BOLT, M6X 10 PLATED	1							
116	2	26106-060352	BOLT, M6X 35 PLATED	4							
117	2	26450-100452	BOLT, M10X 45	4							
118	2	26776-180002	NUT, LOCK M18	1							
121	2	129927-51650	HARNES ASSY, WIRE	1							
122	3	129927-51660	HARNES	1							
123	3	129263-77941	CAP, RUBBER	1							
124	2	158601-51650	JOINT, OVERFLOW	1							
125	2	129927-51670	BRACKET	1							
126	2	158552-51670	JOINT, OVERFLOW	1							
128	2	158552-52100	PUMP ASSY, FUEL FEED	1							
129	3	158552-52500	O-RING, PUMP INNER	1							
130	2	119934-59910	JOINT, PIPE	1							
131	2	22190-120002	WASHER, SEAL 12	1							
132	2	22217-050000	WASHER, SPRING 5	1							
133	2	26106-060122	BOLT, M6X 12 PLATED	1							
134	2	26716-050002	NUT, M5	1							
135	2	27241-160000	PLUG, 16	1							
137	1	129927-51250	RETAINER, FUEL PUMP	1							
138	1	26106-080202	BOLT, M8X 20 PLATED	3							
139	1	26106-080302	BOLT, M8X 30 PLATED	3							

Remarks
 (1)Governor(Fig.12) is incorporated in this Fuel Injection Pump(No.1).
 (1)Eco pump
 Make sure to update the engines ECU information when replacing the Eco pump.
 Failing to do so will result in engine malfunction.

0CW10-M53602 ENGINE
 Fig.12. GOVERNOR

0CW10-M53602 Fig.12



(A)=4TNV98-EPDBWK
 (B)=
 (C)=

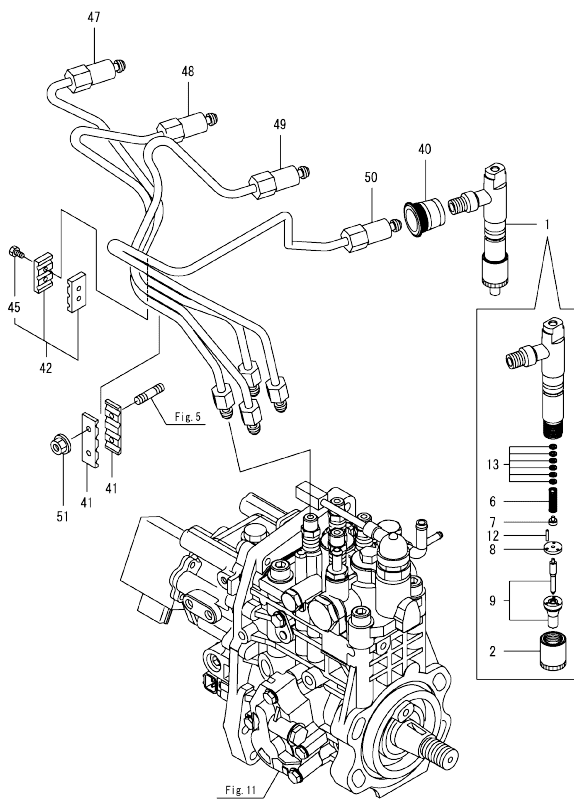
(D)=
 (E)=
 (F)=

No.	Lev.	Parts No.	Description	Q'ty						I	R
				(A)	(B)	(C)	(D)	(E)	(F)		
2	2	158553-51930	PLUG, M12	1							
16	2	158557-61720	SENSOR, ROTATION	1							
22	2	24341-000480	O-RING, 1AS48.0	1							
23	2	26106-060162	BOLT, M6X 16 PLATED	1							
24	2	26106-080252	BOLT, M8X 25 PLATED	3							
26	2	129008-61301	NUT, SUPPORT	1							
27	2	158553-61780	GEAR, SENSOR	1							
28	2	22190-120000	WASHER, SEAL 12	1							
28-1	2	22190-120002	WASHER, SEAL 12	1							N
(A=EA6995)											
29	2	26106-060252	BOLT, M6X 25 PLATED	10							

Remarks

* This figure(Governor) is incorporated in the Fuel Injection Pump(Fig.11).

Fig.13. FUEL INJECTION VALVE



(A)=4TNV98-EPDBWK
(B)=
(C)=

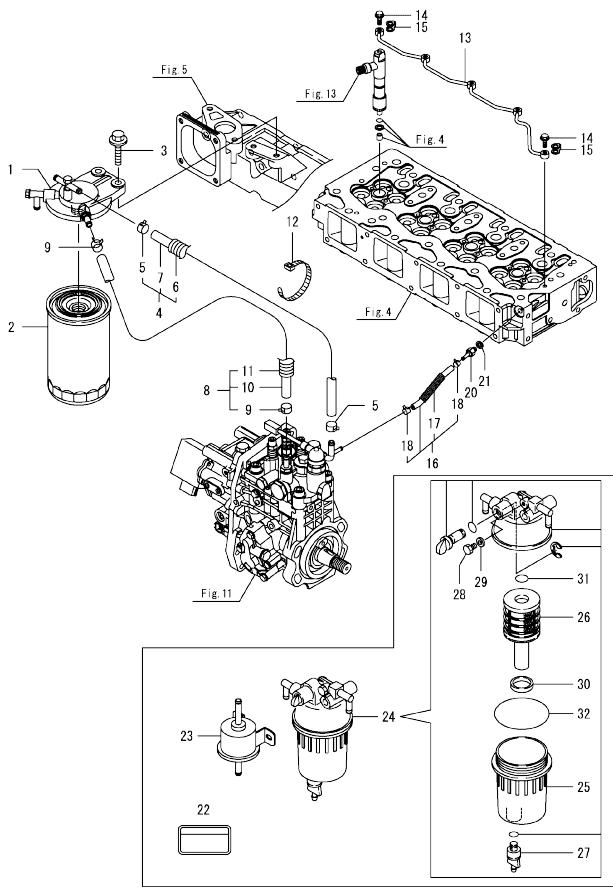
(D)=
(E)=
(F)=

No.	Lev.	Parts No.	Description	Q'ty						I	R
				(A)	(B)	(C)	(D)	(E)	(F)		
1	1	729927-53200	VALVE ASSY,INJECTION	4							
1-1	1	729927-53400 (A=EE9673)	VALVE ASSY,INJECTION	4							S
2	2	114250-53080	NUT, NOZZLE	4							
6	2	114250-53120	SPRING, NOZZLE	4							
7	2	114250-53130	SEAT, SPRING	4							
8	2	114250-53140	SPACER, VALVE STOP	4							
9	2	129927-53200	VALVE ASSY,INJECTION	4							
9-1	2	129671-53010 (A=EE9673)	VALVE ASSY,INJECTION	4							S
12	2	114250-53210	PIN, POSITIONING	8							
13	2	119803-53400	SHIM SET	4							1
40	1	123907-11601	SEAL, PIPE	4							
41	1	123472-59120	RETAINER, PIPE	2							
42	1	129150-59120	RETAINER, PIPE	1							
45	2	129150-59131	BOLT, M4X14	2							
47	1	129927-59810	PIPE ASSY, INJECTION	1							
48	1	129927-59820	PIPE ASSY, INJECTION	1							
49	1	129927-59830	PIPE ASSY, INJECTION	1							
50	1	129927-59840	PIPE ASSY, INJECTION	1							
51	1	26366-060002	NUT, M6	2							

Remarks

(1)Spare parts.

Fig.14. FUEL PIPE



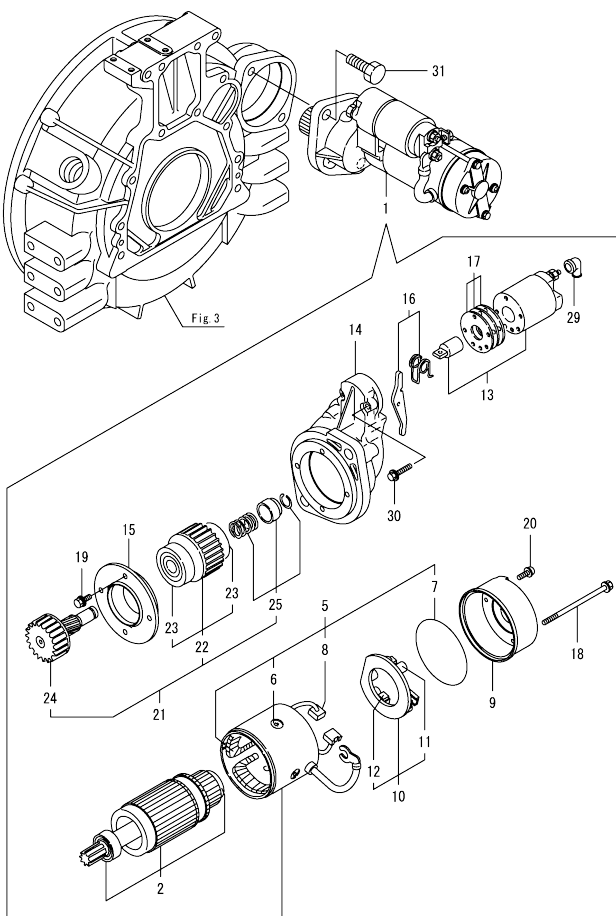
(A)=4TNV98-EPDBWK
(B)=
(C)=

(D)=
(E)=
(F)=

No.	Lev.	Parts No.	Description	Qty						I	R
				(A)	(B)	(C)	(D)	(E)	(F)		
1	1	129004-55612	BRACKET, FILTER	1							
2	1	129907-55801	FILTER, FUEL	1							
3	1	26106-080302	BOLT, M8X 30 PLATED	2							
4	1	129457-59010	HOSE ASSY, FUEL	1							
5	2	124766-59050	CLAMP, HOSE 11.5	2							
6	2	129957-59120	TUBE, CORRUGATED 15	1							
7	2	105025-59750	HOSE, FUEL	1							
8	1	129961-59310	HOSE ASSY, FUEL	1							
9	2	124766-59050	CLAMP, HOSE 11.5	2							
10	2	129136-59110	HOSE, D13/7.5X270	1							
11	2	129961-59110	TUBE, CORRUGATED 15	1							
12	1	121750-59890	BAND, NYLON	1							
13	1	129907-59140	PIPE ASSY, RETURN	1							
14	1	123907-59540	BOLT, PIPE JOINT M6	5							
15	1	123907-59550	GASKET, FUEL RETURN	5							
16	1	129927-59550	HOSE ASSY RETURN	1							
17	2	129263-49750	TUBE, CORRUGATED	1							
18	2	124722-59050	CLAMP, HOSE 9	2							
20	1	123907-59560	JOINT, HOSE	1							
21	1	22190-080002	WASHER, SEAL 8	1							
22	1	114110-07760	LABEL, FUEL CAUTION	1							1
22-1	1	114110-07761	LABEL, FUEL CAUTION	1							N 1
(A=EU9813)											
23	1	129612-52100	PUMP, FUEL FEED	1							1
24	1	129245-55710	SEPARATOR ASSY,WATER	1							1
24-1	1	129245-55711	SEPARATOR ASSY,WATER	1							N 1
(A=EE9673)											
25	2	129245-55720	CUP ASSY, SEPARATOR	1							1
26	2	129242-55730	ELEMENT, FUEL FILTER	1							1
27	2	129242-55740	PLUG, DRAIN	1							1
28	2	129242-55750	VALVE, AIR VENT	1							1
29	2	129242-55760	GASKET, PLUG	1							1
30	2	129242-55770	FLOAT	1							1
31	2	24311-000160	O-RING, 1AP16.0	1							1
32	2	24321-000750	O-RING, 1AG75.0	1							1

Remarks
(1)Loose parts.

Fig.15. STARTER MOTOR



(A)=4TNV98-EPDBWK
(B)=
(C)=

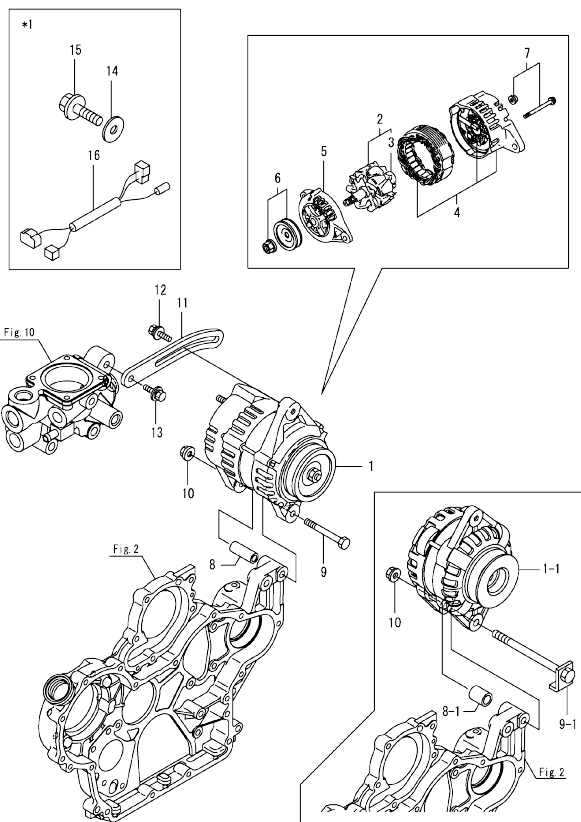
(D)=
(E)=
(F)=

No.	Lev.	Parts No.	Description	Qty						I	R
				(A)	(B)	(C)	(D)	(E)	(F)		
1	1	129940-77010	STARTER ASSY	1							
1-1	1	129940-77011 (A=EE9673)	STARTER, 12V.3KW	1							N
2	2	129940-77100	ARMATURE ASSY	1							
5	2	129940-77130	COIL ASSY, FIELD	1							
6	3	129940-77140	SCREW, CORE SET	4							
7	3	129940-77150	O-RING	1							
8	3	129940-77160	BRUSH, +	2							
9	2	129940-77170	COVER, REAR	1							
9-1	2	129940-77171 (A=EE9673)	COVER, REAR	1							N
10	2	129940-77180	HOLDER ASSY, BRUSH	1							
10-1	2	129940-77181 (A=EE9673)	HOLDER ASSY, BRUSH	1							N
11	3	129940-77190	SPRING, BRUSH	1							
12	3	129940-77200	BRUSH, -	2							
13	2	129940-77210	SWITCH ASSY, MAGNET	1							
14	2	129940-77220	CASE, GEAR	1							
14-1	2	129940-77221 (A=EE9673)	CASE, GEAR	1							N
15	2	129940-77230	RETAINER, BEARING	1							
16	2	129940-77240	LEVER SET, SHIFT	1							
17	2	129940-77250	COVER KIT, DUST	1							
18	2	129940-77260	BOLT, THROUGH	2							
19	2	129940-77270	BOLT, M6X20	4							
20	2	129940-77280	SCREW, M4	2							
21	2	123900-77510	CLUTCH ASSY, PINION	1							
22	3	123900-77520	CLUTCH ASSY	1							
23	4	X2240610100	BEARING, BALL	2							
24	3	123900-77540	SHAFT, PINION	1							
25	3	119131-77550	STOPPER SET, PINION	1							
29	2	121254-77810	COVER, TERMINAL M	1							
30	2	114371-79070	BOLT, M6	2							
31	1	26116-120252	BOLT, M12X 25 PLATED	2							
31-1	1	26106-120252 (A=EU9813)	BOLT, M12X 25 PLATED	2							R

Fig.16. GENERATOR

(A)=4TNV98-EPDBWK
(B)=
(C)=

(D)=
(E)=
(F)=

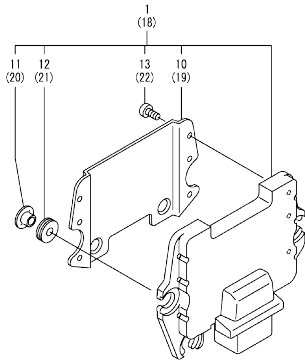


No.	Lev.	Parts No.	Description	Q'ty						I	R
				(A)	(B)	(C)	(D)	(E)	(F)		
1	1	123900-77210	ALTERNATOR, 12V-60A	1							
1-1	1	129908-77210 (A=EE9674)	ALTERNATOR	1							F 1
2	2	123900-77700 (A=EE9674)	ROTOR ASSY	1							Z
3	3	129612-77710 (A=EE9674)	BEARING, BALL	1							Z
4	2	123900-77720 (A=EE9674)	BRACKET ASSY, REAR	1							Z
5	2	123900-77730 (A=EE9674)	BRACKET ASSY, FRONT	1							Z
6	2	123900-77740 (A=EE9674)	PULLEY, GENERATOR	1							Z
7	2	123900-77750 (A=EE9674)	SCREW KIT	1							Z
8	1	129470-77340	PIECE, DISTANCE	1							
8-1	1	129908-77360 (A=EE9674)	PIECE, DISTANCE	1							F 1
9	1	26116-101202	BOLT, M10X120 PLATED	1							
9-1	1	129908-77220 (A=EE9674)	BOLT, STOPPER M10	1							F 1
10	1	26306-100002	NUT, M10	1							
11	1	129916-77300	ADJUSTER, BELT	1							
12	1	119810-77340	BOLT, ADJUSTER L=30	1							
13	1	26014-080252	BOLT, M8X 25	1							
14	1	129927-77690	WASHER, ECU	3							
15	1	26106-080252	BOLT, M8X 25 PLATED	3							
16	1	129908-77940 (A=EE9674)	HARNESS	1							F 1

Remarks

- (1) Interchangeable by simultaneous replacement with No.1-1, 8-1, 9-1, 16.
- *1. Loose parts.

Fig.17. ELECTRONIC CONTROL UNIT(ECU)

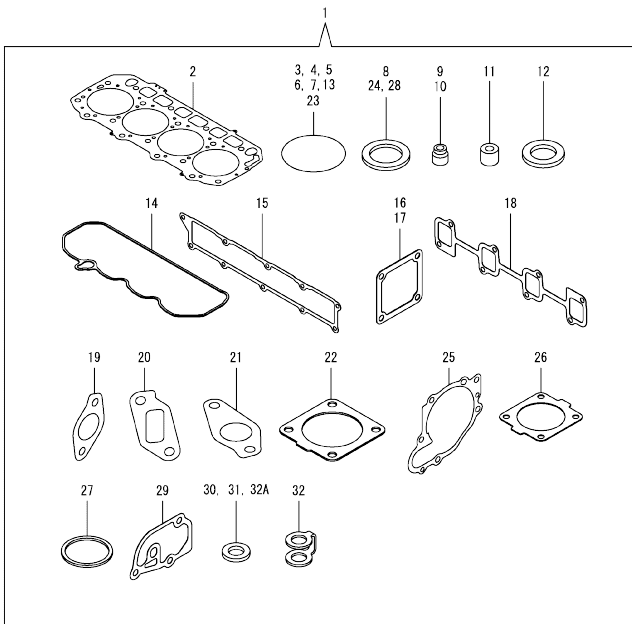


No.	Lev.	Parts No.	Description	Q'ty						I	R
				(A)	(B)	(C)	(D)	(E)	(F)		
1	1	129921-75060	CONTROLLER ASSY, ECU	1							1
1-1	1	129921-75240 (A=EE9673)	ECU CMP(98-EXPDBWK)	1							S 1
10	2	129927-77600	SHIELD, ECU	1							
11	2	129927-77680	COLLAR, CONTROLLER	3							
12	2	119578-91351	RUBBER, CONTROLLER	3							
13	2	22877-500080	SCREW, 5X 8	6							
18	1	129927-75900	ECU ASSY, SERVICE	1							2
19	2	129927-77600	SHIELD, ECU	1							
20	2	129927-77680	COLLAR, CONTROLLER	3							
21	2	119578-91351	RUBBER, CONTROLLER	3							
22	2	22877-500080	SCREW, 5X 8	6							

Remarks

- (1)Eco ECU
This part cannot be ordered.
- Replace the part using a Service ECU with the proper engine information installed.
- (2)Service ECU
When replacing this part, it is necessary to update the software of the ECU using the designated service tool.
- Please refer to the Service Manual for details.

Fig.18. GASKET SET



(A)=4TNV98-EPDBWK
(B)=
(C)=

(D)=
(E)=
(F)=

No.	Lev.	Parts No.	Description	Qty						I	R	
				(A)	(B)	(C)	(D)	(E)	(F)			
1	1	729927-92870	GASKET SET	1							1	
1-1	1	729927-92610 (A=EE9673)	GASKET SET	1							N	1
2	2	129907-01331	GASKET, HEAD	1								
3	2	129900-32030	O-RING, P20	2								
4	2	129900-32040	O-RING, P14	1								
5	2	24311-000070	O-RING, 1AP7.0	1								
6	2	24351-030750	O-RING, 1A3075	1								
7	2	24311-000320	O-RING, 1AP32.0	3								
8	2	22190-220002	WASHER, SEAL 22	1								
9	2	119803-11340	SEAL, VALVE STEM	8								
10	2	124160-11340	SEAL, VALVE STEM	8								
11	2	119802-11870	PROTECTOR, NOZZLE	4								
12	2	119625-11880	SEAT, NOZZLE	4								
13	2	24311-000120	O-RING, 1AP12.0	8								
14	2	129933-11310	GASKET, BONNET	1								
15	2	129907-12110	GASKET, MANIFOLD	1								
16	2	119129-77020	GASKET, AIR HEATER	1								
17	2	121850-77021	GASKET, AIR HEATER	1								
18	2	129900-13251	GASKET, MANIFOLD	1								
19	2	129927-13810	GASKET, EGR PIPE	1								
20	2	129927-13910	GASKET, EGR	1								
21	2	129927-13920	GASKET, EGR	1								
22	2	129930-13201	GASKET, SILENCER	1								
23	2	24341-000530	O-RING, 1AS53.0	1								
24	2	22190-080002	WASHER, SEAL 8	7								
25	2	129900-42020	GASKET, WATER PUMP	1								
26	2	121850-49540	GASKET, THERMOSTAT	1								
27	2	121850-49550	GASKET, THERMOSTAT	1								
28	2	22190-120002	WASHER, SEAL 12	1								
29	2	129900-49870	GASKET, THERMOSTAT	1								
30	2	23414-080000	GASKET, 8X1.0	1								
31	2	124465-44950	GASKET, 16	2								
32A	2	123907-59550	GASKET, FUEL RETURN	5								
32A	2	129150-49360 (A=EE9673)	GASKET, 10	1								W

Remarks

(1)Optional parts.

Parts No. Index

Parts No.	Fig. No.	Ref. No.	Parts No.	Fig. No.	Ref. No.	Parts No.	Fig. No.	Ref. No.	Parts No.	Fig. No.	Ref. No.
105025-59750	14	7	121850-49540	18	26	129150-11230	4	38	129900-25100	7	10
114110-07760	14	22	121850-49550	10	24			42	129900-32001	2	4
114110-07761	14	22 -1		18	27	129150-11750	4	19	129900-32030	2	16
114250-53080	13	2	121850-49800	10	25			39		9	6
114250-53120	13	6	121850-49801	10	25 -1			43		18	3
114250-53130	13	7	121850-77021	5	8	129150-14200	7	1	129900-32040	2	17
114250-53140	13	8		18	17	129150-25920	7	13		18	4
114250-53210	13	12	123472-59120	13	41	129150-49360	10	45	129900-42020	10	11
114371-79070	15	30	123900-25060	7	9			18	18	25	
119000-35140	9	3	123900-77210	16	1	129150-59120	13	42	129900-49870	10	30
119005-35151	9	5	123900-77510	15	21	129150-59131	13	45		18	29
119005-77051	5	9	123900-77520	15	22	129242-55730	14	26	129902-21000	8	1
119117-44760	10	16	123900-77540	15	24	129242-55740	14	27	129906-34851	9	2
119129-77020	5	7	123900-77700	16	2	129242-55750	14	28	129906-51580	11	58
	18	16	123900-77720	16	4	129242-55760	14	29	129907-01331	1	28
119129-77520	5	10	123900-77730	16	5	129242-55770	14	30		18	2
119131-18320	6	3	123900-77740	16	6	129245-55710	14	24	129907-03011	4	52
119131-77550	15	25	123900-77750	16	7	129245-55711	14	24 -1	129907-03061	4	53
119578-91351	17	12	123907-03100	4	55	129245-55720	14	25	129907-03070	4	54
		21	123907-03110	4	56	129263-13210	6	5	129907-11100	4	11
119593-11301	4	30	123907-03120	4	57	129263-49750	14	17	129907-11110	4	12
119620-01750	3	3	123907-03140	4	58	129263-77941	11	123	129907-11120	4	13
119620-11180	4	14	123907-11280	4	35	129418-18320	6	4	129907-11250	4	32
119625-11880	4	26	123907-11550	4	3	129457-59010	14	4	129907-11260	4	33
	18	12	123907-11601	13	40	129470-77340	16	8	129907-11270	4	34
119640-01640	3	8	123907-11820	4	21	129612-52100	14	23	129907-11341	4	31
119640-61400	4	61	123907-11830	4	20	129612-77710	16	3	129907-11510	4	17
119761-39450	9	14	123907-39500	9	17	129657-51590	11	60	129907-11650	4	36
119802-11870	4	25	123907-59540	14	14	129657-51600	11	61	129907-11660	4	40
	18	11	123907-59550	14	15	129671-53010	13	9 -1	129907-11800	4	24
119802-13680	6	7		18	32	129900-01200	1	27	129907-11910	4	27
119802-51680	11	65	123907-59560	14	20	129900-01250	1	4	129907-11920	4	44
119802-51690	11	66	124160-01751	2	24	129900-01850	2	35	129907-11950	4	28
119803-11340	4	15		4	50	129900-01870	2	36	129907-11960	4	27 -1
	18	9	124160-11340	4	16	129900-02020	1	6	129907-12110	5	1
119803-53400	13	13		18	10	129900-02341	1	32		18	15
119810-77340	16	12	124160-11360	4	66	129900-02410	1	9	129907-14400	7	2
119852-51630	11	70	124465-44950	10	36	129900-02931	1	24	129907-25900	7	16
119852-51640	11	71		18	31	129900-02941	1	35	129907-51560	11	55
119852-51650	11	73	124722-59050	14	18	129900-07900	4	1	129907-55801	14	2
119934-59910	11	130	124766-59050	14	5	129900-13251	6	6	129907-59140	14	13
120130-22301	8	21			9			18	129908-14581	7	3
121254-77810	15	29	129004-55612	14	1	129900-14100	7	6	129908-77210	16	1 -1
121450-42450	10	35	129005-59830	9	19	129900-21200	8	3	129908-77220	16	9 -1
121520-34810	9	1	129008-51920	11	3 E	129900-21600	8	14	129908-77360	16	8 -1
121750-59890	14	12	129008-61301	12	26	129900-23001	8	23	129908-77940	16	16
121850-21130	8	11	129100-01580	2	1	129900-23200	8	26	129916-01710	3	7
121850-21290	8	4		3	1	129900-23601	8	27	129916-01790	3	6
121850-21920	8	5	129136-59110	14	10	129900-23611	8	30	129916-01800	2	34
121850-49540	10	22	129150-02450	7	4	129900-23911	8	29	129916-21590	8	12

Parts No. Index

Parts No.	Fig. No.	Ref. No.
129916-21610	8	7
129916-21620	8	8
129916-49530	10	21
129916-77300	16	11
129921-75060	17	1
129921-75240	17	1 -1
129927-02340	1	32 -1
129927-02930	1	24 -1
129927-02940	1	35 -1
129927-11320	4	51
129927-11700	4	4
129927-12100	5	3
129927-12150	5	2
129927-13100	6	2
129927-13101	6	2 -1
129927-13150	6	1
129927-13800	6	9
129927-13810	6	10
	18	19
129927-13910	6	14
	18	20
129927-13920	6	15
	18	21
129927-22050	8	17
129927-22080	8	15
129927-23600	8	27 -1
129927-23610	8	30 -1
129927-25100	7	10 -1
129927-25920	7	13 -1
129927-39060	9	15
129927-42000	10	1
129927-42001	10	1 -1
129927-42002	10	1 -2
129927-42140	2	17 A
129927-44900	10	19
129927-49610	10	37
129927-49620	10	41
129927-51250	11	137
129927-51390	11	22
129927-51650	11	121
129927-51660	11	122
129927-51670	11	125
129927-53200	13	9
129927-59550	14	16
129927-59810	13	47
129927-59820	13	48
129927-59830	13	49
129927-59840	13	50
129927-75900	17	18
129927-77600	17	10

Parts No.	Fig. No.	Ref. No.
129927-77600	17	19
129927-77680	17	11
		20
129927-77690	16	14
129928-13900	6	13
129928-42410	10	14
129928-51900	11	3 D
129930-13201	6	18
	18	22
129932-14580	7	3 -1
129933-11310	4	60
	18	14
129938-49800	10	18
129940-77010	15	1
129940-77011	15	1 -1
129940-77100	15	2
129940-77130	15	5
129940-77140	15	6
129940-77150	15	7
129940-77160	15	8
129940-77170	15	9
129940-77171	15	9 -1
129940-77180	15	10
129940-77181	15	10 -1
129940-77190	15	11
129940-77200	15	12
129940-77210	15	13
129940-77220	15	14
129940-77221	15	14 -1
129940-77230	15	15
129940-77240	15	16
129940-77250	15	17
129940-77260	15	18
129940-77270	15	19
129940-77280	15	20
129944-01500	2	3
129951-01740	2	26
129953-25300	7	15
129953-35000	9	7
129957-59120	14	6
129960-21640	8	9
129960-21930	8	10 -1
129960-21940	8	9 -1
129961-59110	14	11
129961-59310	14	8
129981-01600	3	2
129E00-13650	6	7 -1
144626-51090	11	10
158552-51571	11	56
158552-51580	11	59

Parts No.	Fig. No.	Ref. No.
158552-51670	11	126
158552-51781	11	98
158552-52100	11	128
158552-52310	11	106
158552-52311	11	106 -1
158552-52400	11	107
158552-52500	11	129
158553-51670	11	64
158553-51680	11	76
158553-51930	11	101
	12	2
158553-61780	12	27
158557-51570	11	57
158557-61720	12	16
158563-51150	7	17
158563-51281	11	20
		21
158563-51330	11	32
158600-51270	11	19
158601-51550	11	54
158601-51650	11	124
158601-51770	11	97
158601-51790	11	99
171031-11741	2	30
171051-01921	1	5
171056-49120	10	34
175339-79700	4	62
22190-080002	9	20
		22
		24
	14	21
	18	24
22190-120000	12	28
22190-120002	10	27
	11	102
		108
		131
	12	28 -1
	18	28
22190-180002	11	103
22190-220002	3	10
	18	8
22217-050000	11	132
22217-180000	11	109
22252-000300	8	22
22312-050140	11	110
22351-050010	11	111
22351-060012	1	11
22512-070140	7	7
	8	6

Parts No.	Fig. No.	Ref. No.
22857-500100	4	63
		64
22877-500080	17	13
		22
23080-012000	10	40
		44
23414-080000	10	31
	18	30
23857-030000	9	21
23875-030000	10	28
23876-020000	4	8
23876-030000	1	12
		13
		14
	4	9
24311-000070	2	18
	11	112
	18	5
24311-000120	4	29
		67
	18	13
24311-000160	14	31
24311-000320	2	25
		31
	4	68
	18	7
24321-000750	14	32
24341-000480	12	22
24341-000530	8	10
	18	23
24351-030750	2	19
	18	6
24356-010200	11	67
		113
24356-020210	11	114
24356-190200	11	67 -1
		113 -1
24356-240210	11	114 -1
24372-000150	11	68
25153-004400	10	15
26014-080252	16	13
26106-060102	11	115
26106-060122	4	65
	11	133
26106-060162	12	23
26106-060202	10	29
26106-060252	12	29
26106-060302	10	12
26106-060352	11	116
26106-080122	3	11

Parts No. Index

Parts No.	Fig. No.	Ref. No.		
26106-080122	9	12		
		13 -1		
		23		
		25		
26106-080142	10	32		
		7 8 -1		
26106-080162	2	20		
		37		
		4 2		
		7 8		
		9 13		
		26106-080202	2	21
		26106-080252	11	27
				118
				12 24
				16 15
26106-080302	11	139		
		14 3		
26106-080402	2	38		
		4 46		
26106-080452	5	11		
		2 22		
		28		
		5 5		
26106-080552	7	14		
		10 13		
26106-080602	4	47		
		48		
		10 33		
		2 39		
26106-080702	2	29		
26106-080752	2	29		
26106-080802	5	6		
		10 17		
26106-080902	5	12		
26106-100302	6	11		
		16		
26106-100952	6	17		
26106-120252	15	31 -1		
26116-101202	16	9		
26116-120252	15	31		
26206-100352	3	4		
26206-100702	3	5		
26216-060202	5	4		
26216-100302	2	15		
26226-080222	4	45		
26306-080002	4	49		
		6 8		
26306-100002	2	12		
		23		
		10		

Parts No.	Fig. No.	Ref. No.
26366-060002	13	51
26450-100452	11	117
26716-050002	11	134
26776-180002	11	118
27241-160000	11	135
27241-300000	1	10
27241-400000	4	10
27310-070001	4	22
729900-02801	1	29
729907-01559	2	32
729921-51360	11	1 -1
729927-01560	1	1
729927-02800	1	29 -1
729927-22900	8	32
729927-22950	8	34
729927-53200	13	1
729927-53400	13	1 -1
729927-92610	18	1 -1
729927-92870	18	1
729938-51340	11	1
X2240610100	15	23

Parts No.	Fig. No.	Ref. No.
-----------	----------	----------

Parts No.	Fig. No.	Ref. No.
-----------	----------	----------