

0CD11-M07600EN

# P R E F A C E

1. This parts catalog is the 1st edition of 4TNV98-ESDB6U for DOOSAN INFRACORE CO.,LTD.

Pub.No. : OCD11-G07600

Published : July, 2009

2. Model name

Engine model	Vehicle	Vehicle made by
4TNV98-ESDB6U	EXCAVATOR	DOOSAN INFRACORE CO.,LTD.

## Contents

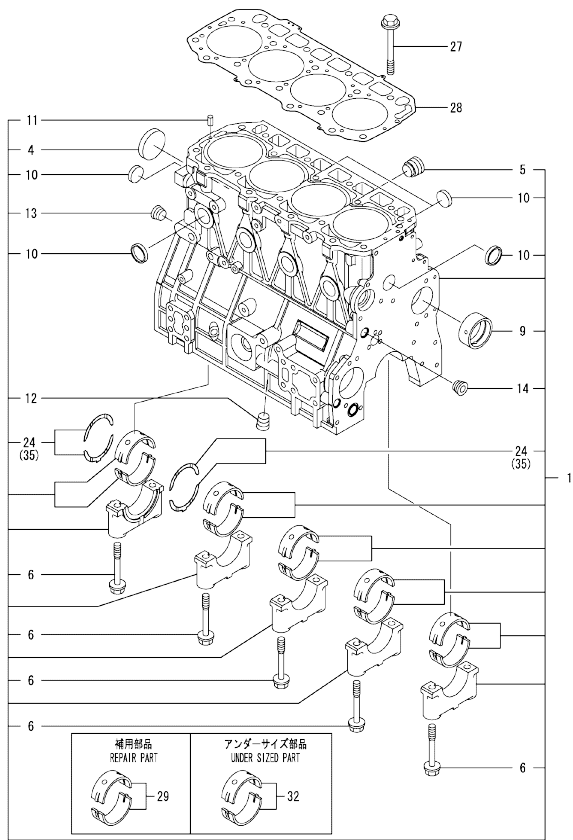
OCD11-M07600

Fig. No.	Fig. Name	Fig. No.	Fig. Name
4	TNV98-ESDB6U		
1.	CYLINDER BLOCK		
2.	GEAR HOUSING		
3.	FLYWHEEL HOUSING & OIL SUMP		
4.	CYLINDER HEAD & BONNET		
5.	SUCTION MANIFOLD		
6.	EXHAUST MANIFOLD		
7.	CAMSHAFT & DRIVING GEAR		
8.	CRANKSHAFT & PISTON		
9.	LUB.OIL SYSTEM		
10.	COOLING WATER SYSTEM		
11.	FUEL INJECTION PUMP		
12.	GOVERNOR		
13.	FUEL INJECTION VALVE		
14.	FUEL LINE		
15.	STARTING MOTOR		
16.	GENERATOR		
17.	ELECTRONIC CONTROL UNIT (ECU)		
18.	GASKET SET		

Fig.1. CYLINDER BLOCK

(A)=4TNV98-ESDB6U  
(B)=  
(C)=

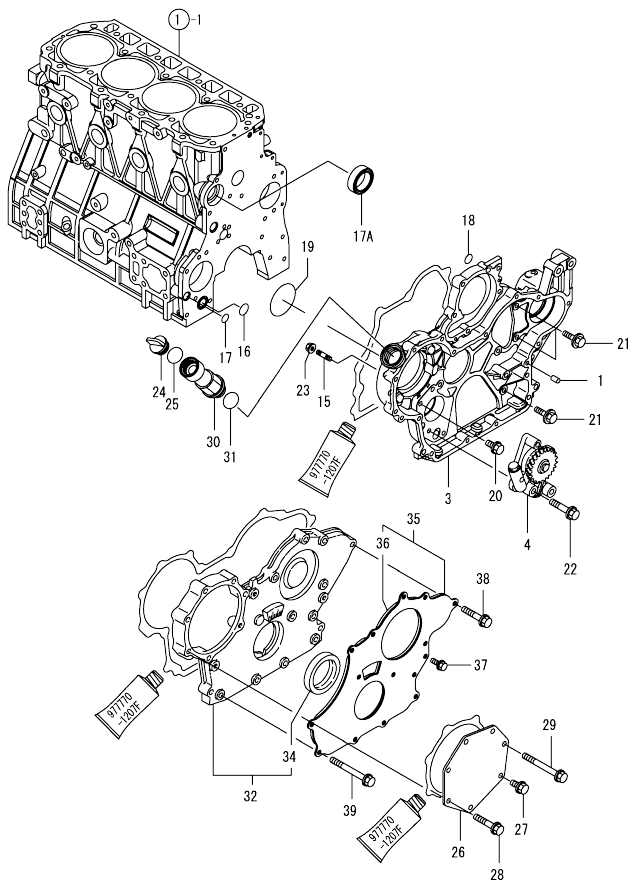
(D)=  
(E)=  
(F)=



No.	Lev.	Parts No.	Description	Q'ty						I	R
				(A)	(B)	(C)	(D)	(E)	(F)		
1	1	729927-01560	BLOCK ASSY, CYLINDER	1							
4	2	129900-01250	PLUG, DISH TYPE 55	1							
5	2	171051-01921	PLUG, NPTF1	1							
6	2	129900-02020	BOLT, METAL CAP	10							
9	2	129900-02410	BUSH, CAMSHAFT	1							
10	2	27241-300000	PLUG 30	8							
11	2	22351-060012	PIN, SPRING 6.0X12	2							
12	2	23876-030000	PLUG, R03	1							
13	2	23876-030000	PLUG, R03	1							
14	2	23876-030000	PLUG, R03	1							
24	2	129900-02931	BEARING ASSY, THRUST	2							
27	1	129900-01200	BOLT, CYLINDER HEAD	18							
28	1	129907-01331	GASKET, HEAD	1							
29	1	729900-02801	BEARING, MAIN	5							1
32	1	129900-02341	BEARING ASSY, MAIN	5							2
35	1	129900-02941	BEARING, THRUST 0.25	2							3

Remarks  
 (1) REPAIR PART.  
 (2) UNDER-SIZED (U.S=0.25) PART.  
 (3) OVER-SIZED (O.S=0.25) PART.

OCD11-M07600 4TNV98-ESDB6U  
 Fig.2. GEAR HOUSING



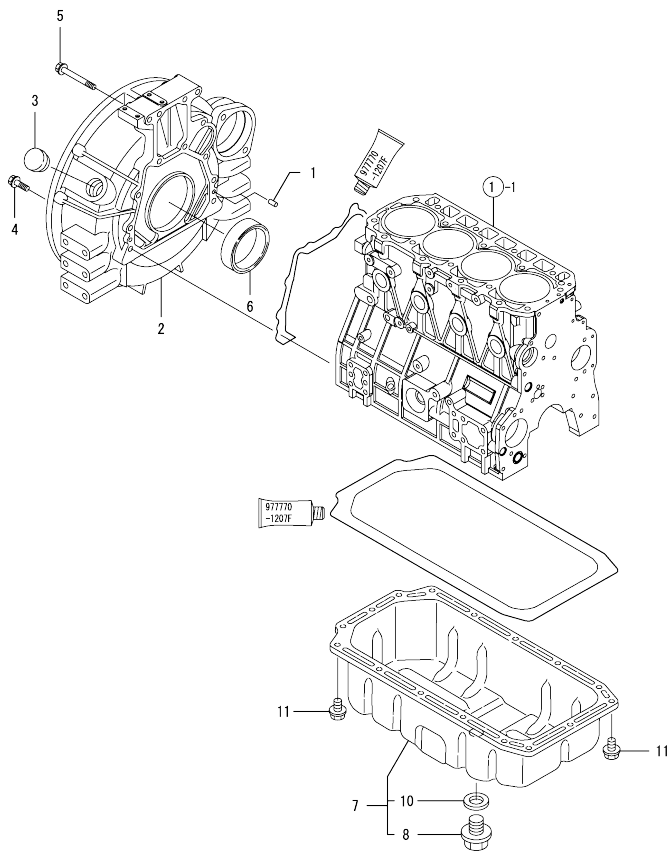
OCD11-M07600 Fig.2

(A)=4TNV98-ESDB6U  
 (B)=  
 (C)=

(D)=  
 (E)=  
 (F)=

No.	Lev.	Parts No.	Description	Qty						I	R
				(A)	(B)	(C)	(D)	(E)	(F)		
1	1	129100-01580	PIN, PARALLEL 8X16	4							
3	1	129944-01500	CASE, GEAR	1							
4	1	129900-32001	PUMP ASSY, OIL	1							
15	1	26216-100302	STUD, M10X 30	4							
16	1	129900-32030	O-RING, P20	1							
17	1	129900-32040	O-RING, P14	1							
17A	1	129927-42140	GASKET, PUMP OUTLET	1							W
(A=2014.09)											
18	1	24311-000070	O-RING, 1AP7.0	1							
19	1	24351-030750	O-RING, 1A3075	1							
20	1	26106-080162	BOLT, M8X 16 PLATED	1							
21	1	26106-080202	BOLT, M8X 20 PLATED	3							
22	1	26106-080452	BOLT, M8X 45 PLATED	3							
23	1	26306-100002	NUT, M10	4							
24	1	124160-01751	CAP, FILLER	1							
25	1	24311-000320	O-RING, 1AP32.0	1							
26	1	129951-01740	COVER	1							
27	1	26106-080202	BOLT, M8X 20 PLATED	1							
28	1	26106-080452	BOLT, M8X 45 PLATED	5							
29	1	26106-080752	BOLT, M8X 75 PLATED	1							
30	1	171031-11741	PIPE	1							
31	1	24311-000320	O-RING, 1AP32.0	1							
32	1	729907-01559	COVER ASSY,GEAR CASE	1							
34	2	129916-01800	SEAL, OIL	1							
35	1	129900-01850	COVER ASSY,GEAR CASE	1							
36	2	129900-01870	SPONGE, GEAR CASE	1							
37	1	26106-080162	BOLT, M8X 16 PLATED	3							
38	1	26106-080402	BOLT, M8X 40 PLATED	5							
39	1	26106-080702	BOLT, M8X 70 PLATED	6							

Fig.3. FLYWHEEL HOUSING & OIL SUMP

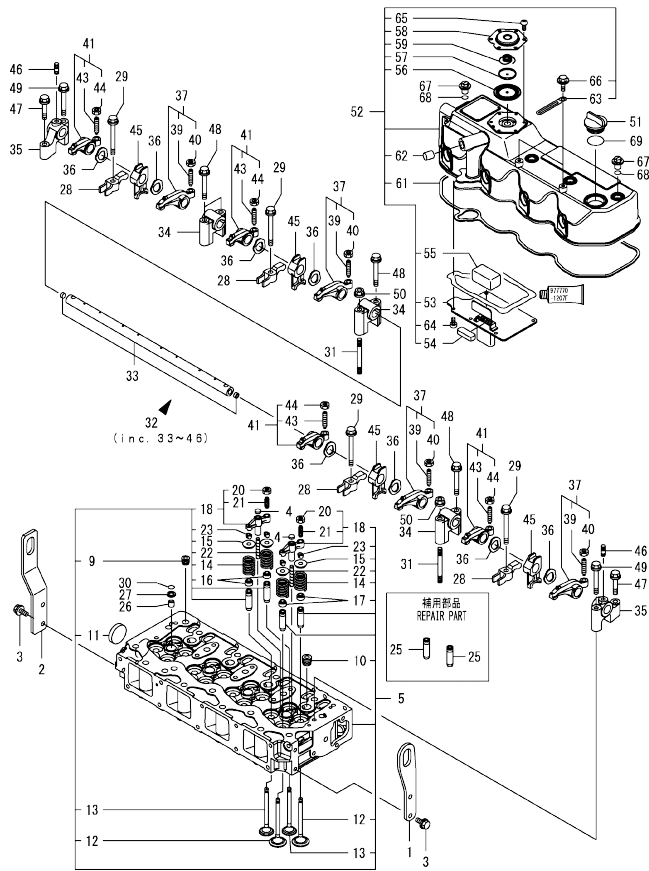


(A)=4TNV98-ESDB6U  
(B)=  
(C)=

(D)=  
(E)=  
(F)=

No.	Lev.	Parts No.	Description	Q'ty						I	R
				(A)	(B)	(C)	(D)	(E)	(F)		
1	1	129100-01580	PIN, PARALLEL 8X16	2							
2	1	129981-01600	HOUSING, FLYWHEEL	1							
3	1	119620-01750	CAP	1							
4	1	26206-100352	BOLT, M10X 35 PLATED	9							
5	1	26206-100702	BOLT, M10X 70 PLATED	4							
6	1	129916-01790	SEAL, D115/95XT11	1							
7	1	129916-01710	OIL PAN ASSY	1							
8	2	119640-01640	PLUG, DRAIN M22	1							
10	2	22190-220002	WASHER, SEAL 22	1							
11	1	26106-080122	BOLT, M8X 12 PLATED	16							

Fig.4. CYLINDER HEAD & BONNET



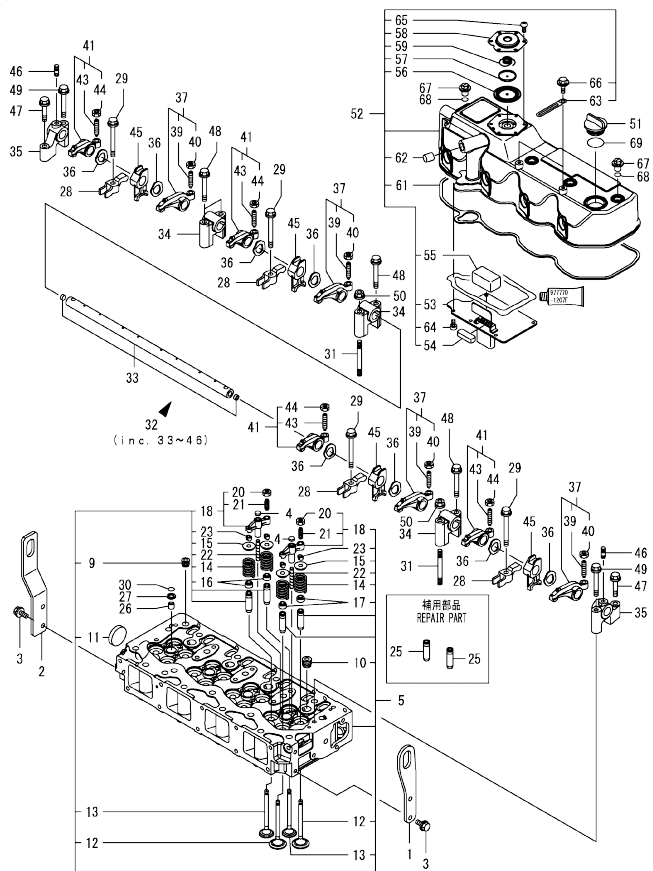
(A)=4TNV98-ESDB6U  
(B)=  
(C)=

(D)=  
(E)=  
(F)=

No.	Lev.	Parts No.	Description	Q'ty						I	R
				(A)	(B)	(C)	(D)	(E)	(F)		
1	1	129907-07900	LIFTER, ENGINE	1							
2	1	129939-07920	LIFTER	1							
3	1	26106-080162	BOLT, M8X 16 PLATED	4							
4	1	123907-11550	SEAT, VALVE BRIDGE	8							
5	1	129927-11700	HEAD ASSY, CYLINDER	1							
9	2	23876-020000	PLUG, R02	1							
10	2	23876-030000	PLUG, R03	4							
11	2	27241-400000	PLUG, 40	1							
12	2	129907-11100	VALVE, SUCTION	8							
13	2	129907-11110	VALVE, EXHAUST	8							
14	2	129907-11120	SPRING, VALVE	16							
15	2	119620-11180	RETAINER, SPRING	16							
16	2	119803-11340	SEAL, VALVE STEM	8							
17	2	124160-11340	SEAL, VALVE STEM	8							
18	2	129907-11510	BRIDGE ASSY, VALVE	8							
20	3	129150-11750	NUT, M8	8							
21	3	123907-11830	ADJUSTER	8							
22	2	123907-11820	GUIDE, BRIDGE	8							
23	2	27310-070001	COTTER, 7	16							
25	1	129907-11800	GUIDE, VALVE	16							1
26	1	119802-11870	PROTECTOR, NOZZLE	4							
27	1	119625-11880	SEAT, NOZZLE	4							
28	1	129907-11910	RETAINER, NOZZLE	4							
29	1	129907-11950	BOLT, M8X75	4							
30	1	24311-000120	O-RING, 1AP12.0	4							
31	1	119593-11301	BOLT, STUD M8X80	2							
32	1	129907-11341	SHAFT ASSY, ROCKER	1							
33	2	129907-11250	SHAFT, ROCKER ARM	1							
34	2	129907-11260	SUPPORT, ROCKER ARM	3							
35	2	129907-11270	SUPPORT, ROCKER ARM	2							
36	2	123907-11280	WASHER	8							
37	2	129907-11650	ARM ASSY, ROCKER	4							
39	3	129150-11230	SCREW, VALVE ADJUST	4							
40	3	129150-11750	NUT, M8	4							
41	2	129907-11660	ARM ASSY, ROCKER	4							
43	3	129150-11230	SCREW, VALVE ADJUST	4							
44	3	129150-11750	NUT, M8	4							
45	2	129907-11920	RETAINER, NOZZLE	4							
46	2	26226-080222	STUD, M8X 22	2							
47	1	26106-080402	BOLT, M8X 40 PLATED	2							
48	1	26106-080602	BOLT, M8X 60 PLATED	4							
49	1	26106-080602	BOLT, M8X 60 PLATED	2							
50	1	26306-080002	NUT, M8	2							
51	1	124160-01751	CAP, FILLER	1							
52	1	129927-11320	BONNET ASSY, HEAD	1							
53	2	129907-03011	PLATE, BAFFLE	1							
54	2	129907-03061	BAFFLE, BREATHER	1							
55	2	129907-03070	BAFFLE, BREATHER	1							
56	2	123907-03100	DIAPHRAGM	1							
57	2	123907-03110	PLATE	1							
58	2	123907-03120	PLATE, BREATHER	1							

Remarks  
(1)REPAIR PART.

Fig.4. CYLINDER HEAD & BONNET



(A)=4TNV98-ESDB6U  
(B)=  
(C)=

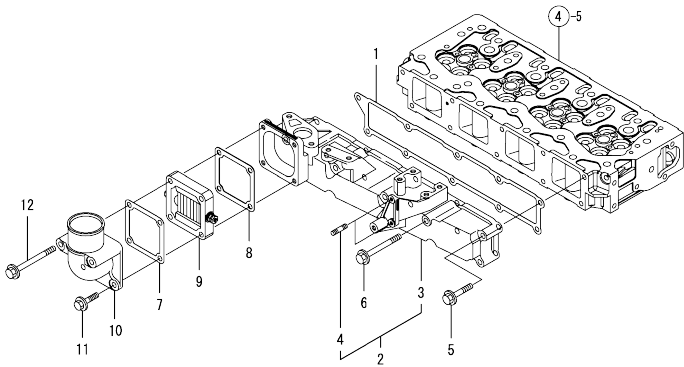
(D)=  
(E)=  
(F)=

No.	Lev.	Parts No.	Description	Q'ty					
				(A)	(B)	(C)	(D)	(E)	(F)
59	2	123907-03140	SPRING, DIAPHRAGM	1					
61	2	129933-11310	GASKET, BONNET	1					
62	2	119640-61400	PLUG	1					
63	2	175339-79700	CLIP	2					
64	2	22857-500100	SCREW, 5X10	6					
65	2	22857-500100	SCREW, 5X10	6					
66	2	26106-060122	BOLT, M6X 12 PLATED	2					
67	1	124160-11360	KNOB	4					
68	1	24311-000120	O-RING, 1AP12.0	4					
69	1	24311-000320	O-RING, 1AP32.0	1					

Remarks  
(1)REPAIR PART.



Fig.5. SUCTION MANIFOLD

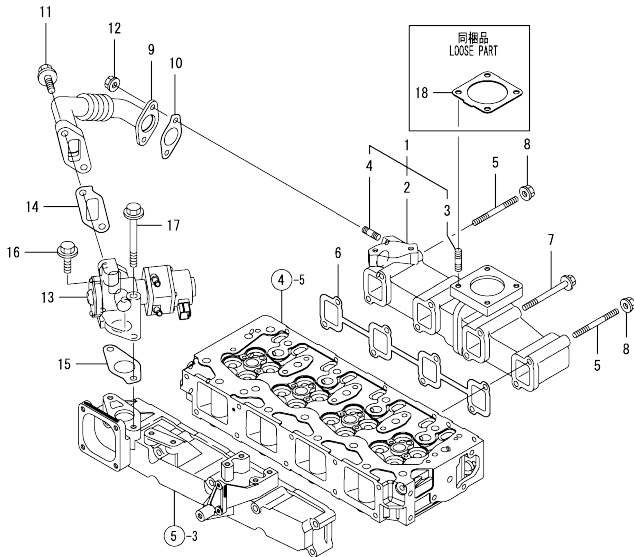


(A)=4TNV98-ESDB6U  
(B)=  
(C)=

(D)=  
(E)=  
(F)=

No.	Lev.	Parts No.	Description	Q'ty						I	R
				(A)	(B)	(C)	(D)	(E)	(F)		
1	1	129907-12110	GASKET, MANIFOLD	1							
2	1	129927-12150	MANIFOLD ASSY,INTAKE	1							
3	2	129927-12100	MANIFOLD, AIR INTAKE	1							
4	2	26216-060202	STUD, M6X 20	2							
5	1	26106-080452	BOLT, M8X 45 PLATED	6							
6	1	26106-080802	BOLT, M8X 80 PLATED	4							
7	1	119129-77020	GASKET	1							
8	1	121850-77021	GASKET, AIR HEATER	1							
9	1	119005-77051	HEATER, AIR	1							
10	1	119129-77520	BEND	1							
11	1	26106-080402	BOLT, M8X 40 PLATED	2							
12	1	26106-080902	BOLT, M8X 90 PLATED	2							

Fig.6. EXHAUST MANIFOLD

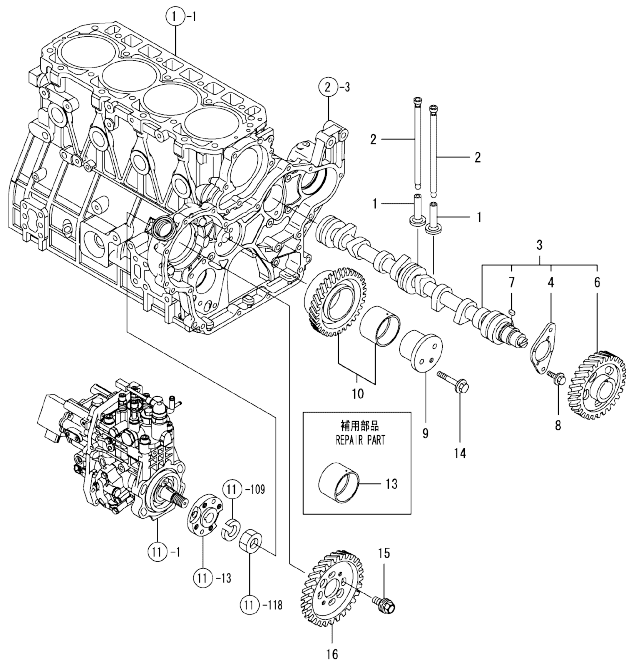


(A)=4TNV98-ESDB6U  
(B)=  
(C)=

(D)=  
(E)=  
(F)=

No.	Lev.	Parts No.	Description	Q'ty						I	R
				(A)	(B)	(C)	(D)	(E)	(F)		
1	1	129927-13150	MANIFOLD ASSY, EXH.	1							
2	2	129927-13100	MANIFOLD, EXHAUST	1							
3	2	119131-18320	BOLT, STUD M8X22	4							
4	2	129418-18320	BOLT, STUD M8X20	2							
5	1	129263-13210	BOLT, STUD M8X90	2							
6	1	129900-13251	GASKET, EXH.MANIFOLD	1							
7	1	119802-13680	BOLT, M8X90 10.9T	6							
8	1	26306-080002	NUT, M8	2							
9	1	129927-13800	PIPE ASSY, EGR	1							
10	1	129927-13810	GASKET	1							
11	1	26106-100302	BOLT, M10X 30 PLATED	2							
12	1	26306-080002	NUT, M8	2							
13	1	129928-13900	VALVE, EGR	1							
14	1	129927-13910	GASKET, EGR	1							
15	1	129927-13920	GASKET, EGR	1							
16	1	26106-100302	BOLT, M10X 30 PLATED	1							
17	1	26106-100952	BOLT, M10X 95 PLATED	1							
18	1	129930-13201	GASKET, SILENCER	1							

Fig.7. CAMSHAFT & DRIVING GEAR



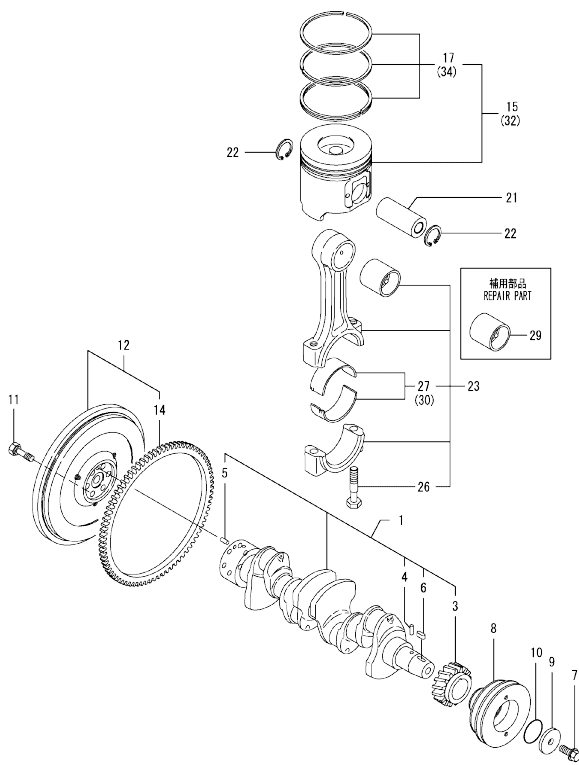
(A)=4TNV98-ESDB6U  
(B)=  
(C)=

(D)=  
(E)=  
(F)=

No.	Lev.	Parts No.	Description	Q'ty						I	R
				(A)	(B)	(C)	(D)	(E)	(F)		
1	1	129150-14200	TAPPET	8							
2	1	129907-14400	PUSH-ROD	8							
3	1	129908-14581	CAMSHAFT ASSY	1							
4	2	129150-02450	BEARING, THRUST	1							
6	2	129900-14100	GEAR, CAMSHAFT	1							
7	2	22512-070140	KEY, 7X 14	1							
8	1	26106-080162	BOLT, M8X 16 PLATED	2							
9	1	123900-25060	SHAFT, IDLE GEAR	1							
10	1	129900-25100	GEAR ASSY, IDLE	1							
13	1	129150-25920	BUSH, IDLE GEAR	1							1
14	1	26106-080552	BOLT, M8X 55 PLATED	3							
15	1	129953-25300	BOLT	4							
16	1	129907-25900	GEAR, PUMP	1							

Remarks  
(1)REPAIR PART.

Fig.8. CRANKSHAFT & PISTON



(A)=4TNV98-ESDB6U  
(B)=  
(C)=

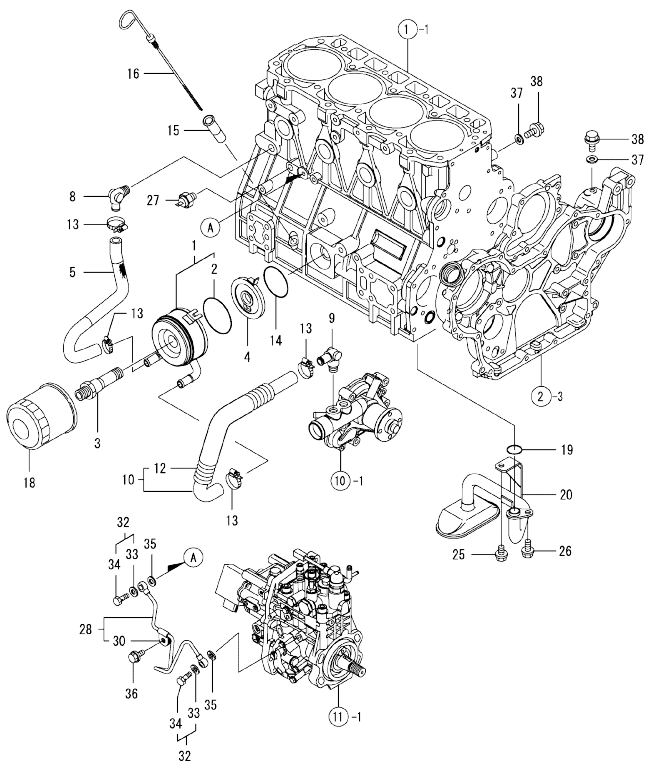
(D)=  
(E)=  
(F)=

No.	Lev.	Parts No.	Description	Q'ty						I	R
				(A)	(B)	(C)	(D)	(E)	(F)		
1	1	129902-21000	CRANKSHAFT ASSY	1							
3	2	129900-21200	GEAR, CRANKSHAFT	1							
4	2	121850-21290	PIN	1							
5	2	121850-21920	PIN, PARALLEL 10X22	1							
6	2	22512-070140	KEY, 7X 14	1							
7	1	129916-21610	BOLT	1							
8	1	129916-21620	V-PULLEY, CRANKSHAFT	1							
9	1	129960-21640	WASHER	1							
10	1	24341-000530	O-RING, 1AS53.0	1							
11	1	121850-21130	BOLT, FLYWHEEL	6							
12	1	129916-21590	FLYWHEEL ASSY	1							
14	2	129900-21600	GEAR, RING	1							
15	1	129927-22080	PISTON ASSY	4							
17	2	129927-22050	RING SET, PISTON	4							
21	1	120130-22301	PIN, PISTON	4							
22	1	22252-000300	RING, 30	8							
23	1	129900-23001	ROD ASSY, CONNECTING	4							
26	2	129900-23200	BOLT, CONNECTING ROD	8							
27	2	129900-23601	BEARING, CRANK PIN	4							
29	1	129900-23911	BEARING, PISTON PIN	4							1
30	1	129900-23611	BEARING ASSY, 0.25US	4							2
32	1	729927-22900	PISTON ASSY, 0.25 OS	4							3
34	2	729927-22950	RING SET, 0.25 OS	4							3

Remarks  
(1)REPAIR PART.  
(2)UNDER-SIZED(U.S=0.25)PART.  
(3)OVER-SIZED(O.S=0.25)PART.

OCD11-M07600 4TNV98-ESDB6U  
 Fig.9. LUB.OIL SYSTEM

OCD11-M07600 Fig.9



(A)=4TNV98-ESDB6U  
 (B)=  
 (C)=

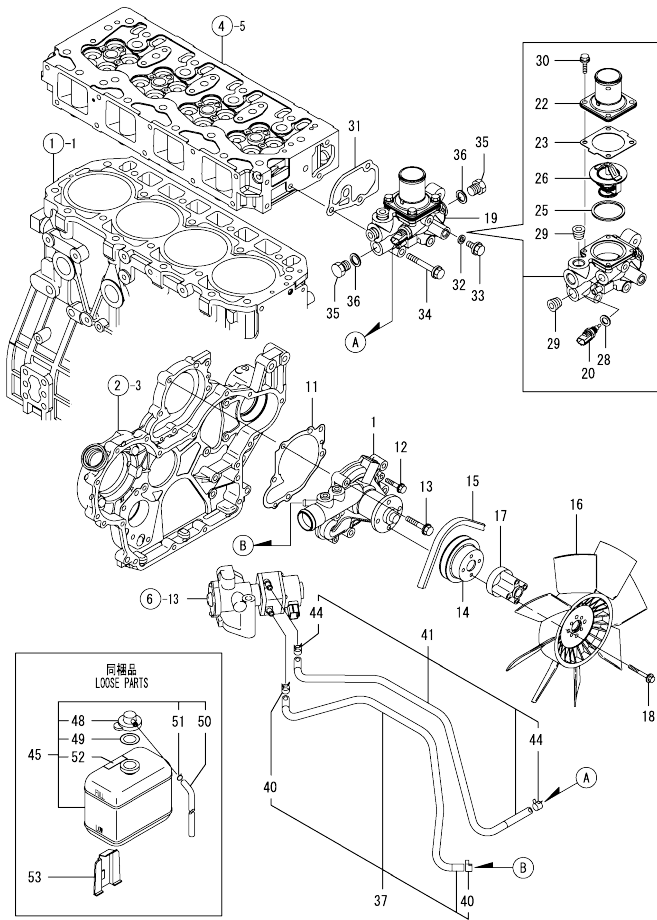
(D)=  
 (E)=  
 (F)=

No.	Lev.	Parts No.	Description	Q'ty						I	R
				(A)	(B)	(C)	(D)	(E)	(F)		
1	1	129907-33010	COOLER ASSY, OIL	1							
2	2	123912-33050	O-RING	1							
3	1	123912-33100	BOLT, COOLER	1							
4	1	129908-33101	BRACKET, OIL COOLER	1							
5	1	129907-49050	PIPE ASSY, WATER	1							
8	1	129103-49301	ELBOW, PT1/4	1							
9	1	129466-49300	ELBOW, PT3/8	1							
10	1	129907-49630	PIPE ASSY, WATER	1							
12	2	129907-49650	TUBE, CORRUGATED	1							
13	1	23000-025000	CLAMP, 25	4							
14	1	24321-000600	O-RING, 1AG60.0	1							
15	1	121520-34810	GUIDE, DIPSTICK	1							
16	1	129906-34851	DIPSTICK	1							
18	1	119005-35151	FILTER, D80X100	1							1
19	1	129900-32030	O-RING, P20	1							
20	1	129953-35000	PIPE ASSY, OIL INLET	1							
25	1	26106-080122	BOLT, M8X 12 PLATED	1							
26	1	26106-080162	BOLT, M8X 16 PLATED	1							
27	1	119761-39450	SWITCH, HYDRAULIC	1							
28	1	129927-39060	PIPE ASSY, OIL	1							
30	2	123907-39500	RETAINER, PIPE	1							
32	1	129005-59830	BOLT ASSY, JOINT M8	2							
33	2	22190-080002	WASHER, SEAL 6	2							
34	2	23857-030000	BOLT, JOINT 3	2							
35	1	22190-080002	WASHER, SEAL 6	2							
36	1	26106-080122	BOLT, M8X 12 PLATED	1							
37	1	22190-080002	WASHER, SEAL 6	2							
38	1	26106-080122	BOLT, M8X 12 PLATED	2							

Remarks  
 (1)REPAIR PART.

N:Old  $\frac{100}{100}$  New, Q:Old  $\frac{100}{100}$  New, R:Old  $\frac{100}{100}$  New, S:Old  $\frac{100}{100}$  New, W:Add, Z:Discontinued, F:Interchangeable by set, K:Qty Change  
 Copyright (C) YANMAR GLOBAL CS CO., LTD. All Rights Reserved.

Fig.10. COOLING WATER SYSTEM



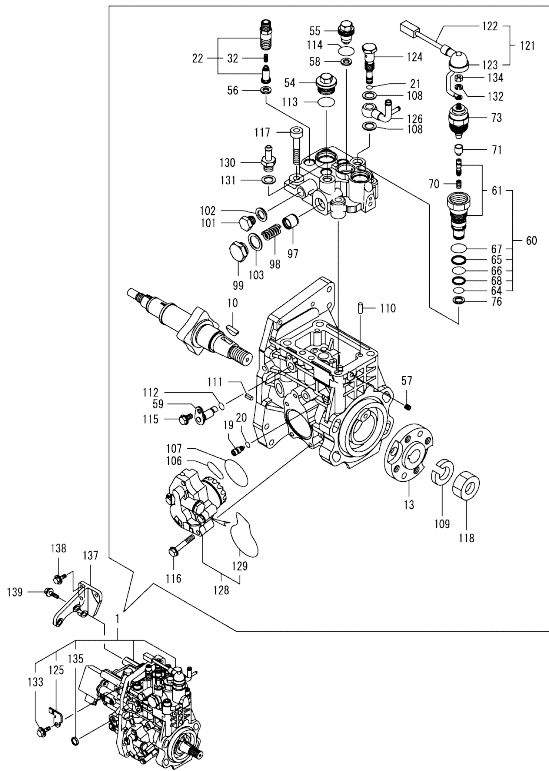
(A)=4TNV98-ESDB6U  
(B)=  
(C)=

(D)=  
(E)=  
(F)=

No.	Lev.	Parts No.	Description	Q'ty						I	R
				(A)	(B)	(C)	(D)	(E)	(F)		
1	1	129927-42000	PUMP ASSY, WATER	1							
11	1	129900-42020	GASKET, WATER PUMP	1							
12	1	26106-060302	BOLT, M6X 30 PLATED	2							
13	1	26106-080552	BOLT, M8X 55 PLATED	5							
14	1	129928-42410	V-PULLEY, C.W.PUMP	1							
15	1	25153-004400	V-BELT, B44	1							
16	1	129953-44710	FAN, COOLING D=460	1							
17	1	119117-44760	SPACER, FAN	1							
18	1	26106-080802	BOLT, M8X 80 PLATED	4							
19	1	129938-49800	CASE ASSY,THERMOSTAT	1							
20	2	129927-44900	SENSOR, WATER TEMP.	1							
22	2	129916-49530	COVER, THERMOSTAT	1							
23	2	121850-49540	GASKET, THERMOSTAT	1							
25	2	121850-49550	GASKET, THERMOSTAT	1							
26	2	121850-49800	THERMOSTAT, 82C	1							
28	2	22190-120002	WASHER, SEAL 12	1							
29	2	23875-030000	PLUG, R03	2							
30	2	26106-060202	BOLT, M6X 20 PLATED	4							
31	1	129900-49870	GASKET, THERMOSTAT	1							
32	1	23414-080000	GASKET, 8X1.0	1							
33	1	26106-080122	BOLT, M8X 12 PLATED	1							
34	1	26106-080602	BOLT, M8X 60 PLATED	3							
35	1	121450-42450	PLUG, M16	2							
36	1	124465-44950	GASKET, 16	2							
37	1	129927-49610	HOSE ASSY, WATER	1							
40	2	23080-012000	CLAMP, 12	2							
41	1	129927-49620	HOSE ASSY, WATER	1							
44	2	23080-012000	CLAMP, 12	2							
45	1	121857-44800	TANK ASSY, RESERVE	1							
48	2	121850-44850	CAP	1							
49	2	121850-44860	GASKET	1							
50	2	121850-44870	HOSE	1							
51	2	121850-44880	CLAMP, HOSE	1							
52	2	121850-44830	LABEL, RESERVE TANK	1							
53	1	120147-44810	BRACKET	1							

N:Old  $\frac{100}{100}$  New, Q:Old  $\frac{100}{100}$  New, R:Old  $\frac{100}{100}$  New, S:Old  $\frac{100}{100}$  New, W:Add, Z:Discontinued, F:Interchangeable by set, K:Q'ty Change  
Copyright (C) YANMAR GLOBAL CS CO., LTD. All Rights Reserved.

Fig.11. FUEL INJECTION PUMP



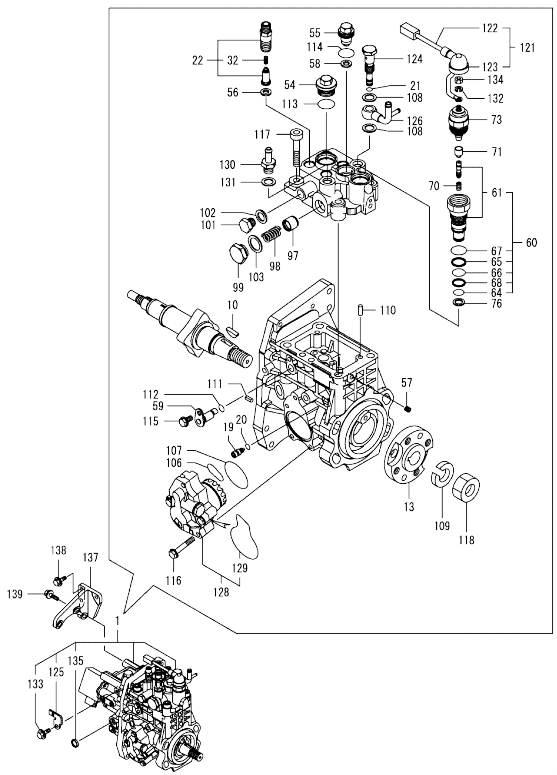
Remarks  
 (1) GOVERNOR (FIG.12) IS INCORPORATED IN THIS FUEL INJECTION PUMP (REF.1).  
 (1) ECO PUMP  
 MAKE SURE TO UPDATE THE ENGINES ECU INFORMATION WHEN REPLACING THE ECO PUMP.  
 FAILING TO DO SO WILL RESULT IN ENGINE MALFUNCTION.

(A)=4TNV98-ESDB6U  
 (B)=  
 (C)=

(D)=  
 (E)=  
 (F)=

No.	Lev.	Parts No.	Description	Q'ty						I	R	
				(A)	(B)	(C)	(D)	(E)	(F)			
1	1	729939-51340	PUMP ASSY, INJECTION	1							1	
10	2	144626-51090	FEATHER KEY, 5X19	1								
13	2	158563-51150	FLANGE	1								
19	2	158600-51270	STOPPER, TAPPET	1								
20	2	158563-51281	O-RING, 4D S6	1								
21	2	158563-51281	O-RING, 4D S6	1								
22	2	129927-51390	VALVE ASSY, DELIVERY	4								
32	3	158563-51330	SPRING, DELIVERY	4								
54	2	158601-51550	PLUG, M22	1								
55	2	129907-51560	PLUG, M16	1								
56	2	158552-51571	GASKET, PLUG	4								
57	2	158557-51570	PLUG, RACK	1								
58	2	129906-51580	GASKET, PLUG	1								
59	2	158552-51580	LIFTER, LINK	1								
60	2	129657-51590	TIMER ASSY	1								
61	3	129657-51600	TIMER ASSY	1								
64	3	158553-51670	O-RING	1								
65	3	119802-51680	RING, BACKUP	1								
66	3	119802-51690	O-RING	1								
67	3	24356-010200	O-RING, 4D1020	1								
68	3	24372-000150	RING, BACK UP T2P15	1								
70	2	119852-51630	SPRING, TIMER	1								
71	2	119852-51640	CAP, TIMER	1								
73	2	119852-51650	VALVE ASSY, SOLENOID	1								
76	2	158553-51680	GASKET, TIMER	1								
97	2	158601-51770	PISTON, ACCUMULATOR	1								
98	2	158552-51781	SPRING, ACCUMULATOR	1								
99	2	158601-51790	PLUG	1								
101	2	158553-51930	PLUG, M12	1								
102	2	22190-120002	WASHER, SEAL 12	1								
103	2	22190-180002	WASHER, SEAL 18	1								
106	2	158552-52310	O-RING	1								
107	2	158552-52400	O-RING, 4E S42	1								
108	2	22190-120002	WASHER, SEAL 12	2								
109	2	22217-180000	WASHER, SPRING 18	1								
110	2	22312-050140	PIN, PARALLEL M5X14	2								
111	2	22351-050010	PIN, SPRING 5.0X10	2								
112	2	24311-000070	O-RING, 1AP7.0	1								
113	2	24356-010200	O-RING, 4D1020	1								
114	2	24356-020210	O-RING, 4D2021	1								
115	2	26106-060102	BOLT, M6X 10 PLATED	1								
116	2	26106-060352	BOLT, M6X 35 PLATED	4								
117	2	26450-100452	BOLT, M10X 45	4								
118	2	26776-180002	NUT, LOCK M18	1								
121	2	129927-51650	HARNESS ASSY, WIRE	1								
122	3	129927-51660	HARNESS	1								
123	3	129263-77941	CAP, RUBBER	1								
124	2	158601-51650	JOINT, OVER FLOW	1								
125	2	129927-51670	BRACKET	1								
126	2	158552-51670	JOINT, OVER FLOW	1								
128	2	158552-52100	PUMP ASSY, FUEL FEED	1								

Fig.11. FUEL INJECTION PUMP



(A)=4TNV98-ESDB6U  
(B)=  
(C)=

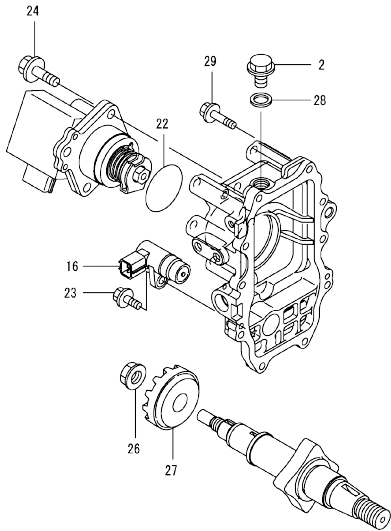
(D)=  
(E)=  
(F)=

No.	Lev.	Parts No.	Description	Q'ty						I	R
				(A)	(B)	(C)	(D)	(E)	(F)		
129	3	158552-52500	O-RING	1							
130	2	119934-59910	JOINT, PIPE	1							
131	2	22190-120002	WASHER, SEAL 12	1							
132	2	22217-050000	WASHER, SPRING 5	1							
133	2	26106-060122	BOLT, M6X 12 PLATED	1							
134	2	26716-050002	NUT, M5	1							
135	2	27241-160000	PLUG, 16	1							
137	1	129927-51250	RETAINER, PUMP	1							
138	1	26106-080202	BOLT, M8X 20 PLATED	3							
139	1	26106-080302	BOLT, M8X 30 PLATED	3							

Remarks  
(1)GOVERNOR(FIG.12)IS INCORPORATED IN THIS FUEL INJECTION PUMP (REF.1).  
(1)ECO PUMP  
MAKE SURE TO UPDATE THE ENGINES ECU INFORMATION WHEN REPLACING THE ECO PUMP.  
FAILING TO DO SO WILL RESULT IN ENGINE MALFUNCTION.



Fig.12. GOVERNOR



(A)=4TNV98-ESDB6U  
(B)=  
(C)=

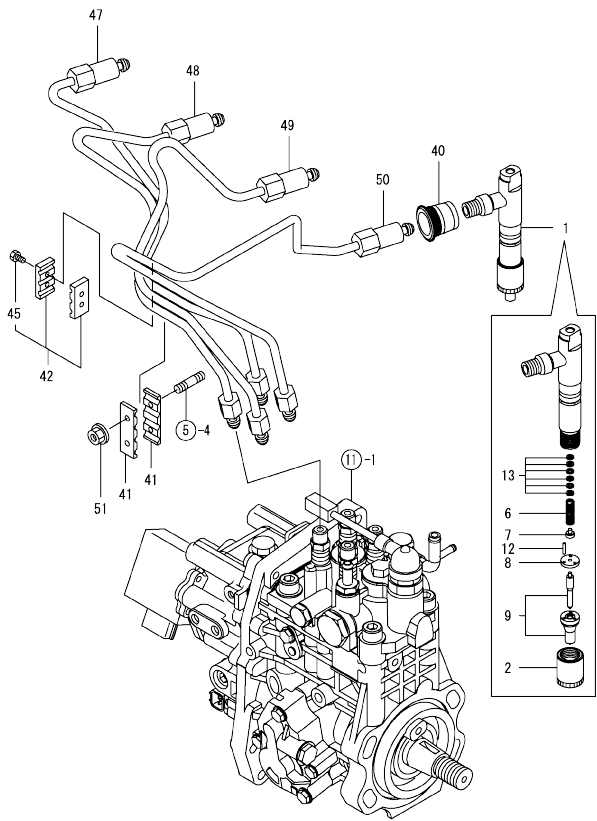
(D)=  
(E)=  
(F)=

No.	Lev.	Parts No.	Description	Q'ty						I	R
				(A)	(B)	(C)	(D)	(E)	(F)		
2	2	158553-51930	PLUG, M12	1							
16	2	158557-61720	SENSOR	1							
22	2	24341-000480	O-RING, 1AS48.0	1							
23	2	26106-060162	BOLT, M6X 16 PLATED	1							
24	2	26106-080252	BOLT, M8X 25 PLATED	3							
26	2	129008-61301	NUT	1							
27	2	158553-61780	GEAR, SENSOR	1							
28	2	22190-120000	WASHER, SEAL 12	1							
29	2	26106-060252	BOLT, M6X 25 PLATED	10							

Remarks  
\*THIS FIGURE(GOVERNOR)IS INCORPORATED  
IN THE FUEL INJECTION PUMP (FIG.11).

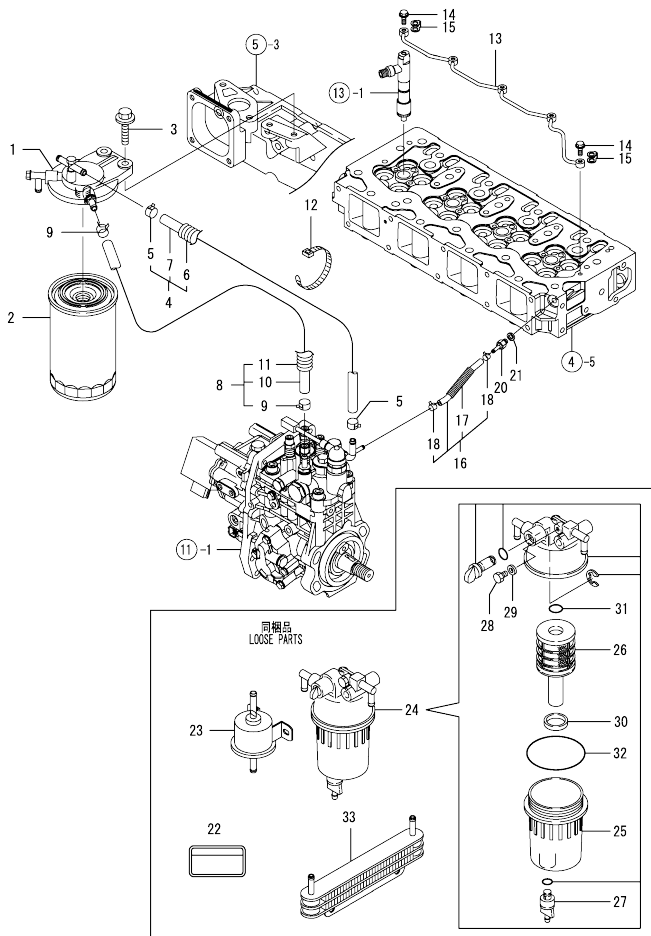
N:Old  $\frac{100}{100}$  New, Q:Old  $\frac{100}{100}$  New, R:Old  $\frac{100}{100}$  New, S:Old  $\frac{100}{100}$  New, W:Add, Z:Discontinued, F:Interchangeable by set, K:Q'ty Change  
Copyright (C) YANMAR GLOBAL CS CO., LTD. All Rights Reserved.

Fig.13. FUEL INJECTION VALVE



No.	Lev.	Parts No.	Description	Q'ty					
				(A)	(B)	(C)	(D)	(E)	(F)
1	1	729927-53200	FUEL INJECTOR ASSY	4					
2	2	114250-53080	NUT, NOZZLE	4					
6	2	114250-53120	SPRING, NOZZLE	4					
7	2	114250-53130	SEAT, SPRING	4					
8	2	114250-53140	SPACER	4					
9	2	129927-53200	NOZZLE ASSY, F.I.	4					
12	2	114250-53210	PIN	8					
13	2	119803-53400	SHIM SET	4					
40	1	123907-11601	SEAL, PIPE	4					
41	1	123472-59120	RETAINER, PIPE	2					
42	1	129150-59120	RETAINER, PIPE	1					
45	2	129150-59131	BOLT, M4X14	2					
47	1	129927-59810	PIPE ASSY, INJECTION	1					
48	1	129927-59820	PIPE ASSY, INJECTION	1					
49	1	129927-59830	PIPE ASSY, INJECTION	1					
50	1	129927-59840	PIPE ASSY, INJECTION	1					
51	1	26366-060002	NUT, M6	2					

Fig.14. FUEL LINE



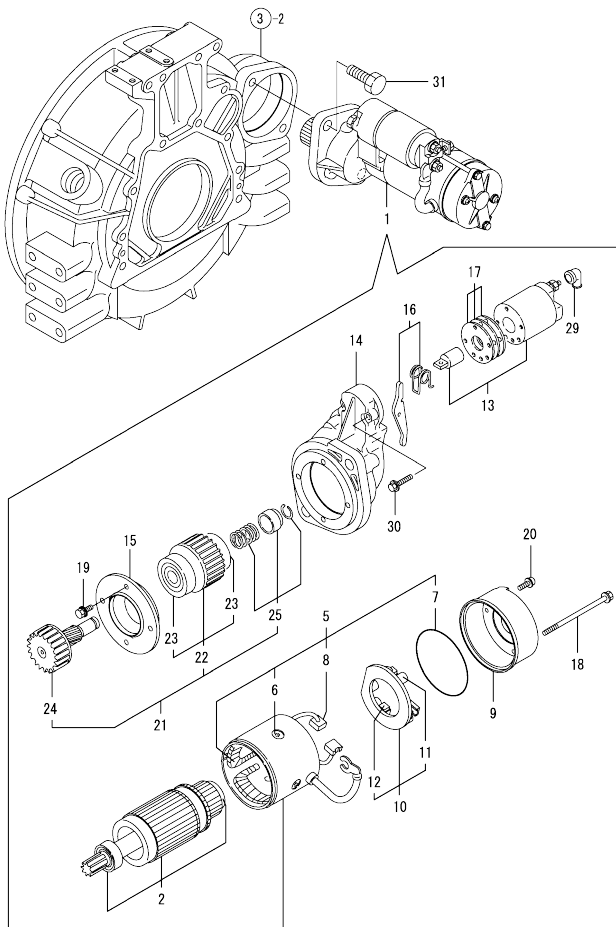
(A)=4TNV98-ESDB6U  
(B)=  
(C)=

(D)=  
(E)=  
(F)=

No.	Lev.	Parts No.	Description	(A)	(B)	(C)	(D)	(E)	(F)	I	R
1	1	129004-55612	BRACKET, FILTER	1							
2	1	129907-55801	FILTER, FUEL	1							
3	1	26106-080302	BOLT, M8X 30 PLATED	2							
4	1	129457-59010	HOSE ASSY, FUEL	1							
5	2	124766-59050	CLAMP, HOSE 11.5	2							
6	2	129957-59120	TUBE, CORRUGATED 15	1							
7	2	105025-59750	HOSE, FUEL	1							
8	1	129961-59310	HOSE ASSY, FUEL	1							
9	2	124766-59050	CLAMP, HOSE 11.5	2							
10	2	129136-59110	HOSE, D13/7.5X270	1							
11	2	129961-59110	TUBE, CORRUGATED 15	1							
12	1	121750-59890	BAND, NYLON	1							
13	1	129907-59140	PIPE ASSY, RETURN	1							
14	1	123907-59540	BOLT, PIPE JOINT M6	5							
15	1	123907-59550	GASKET	5							
16	1	129927-59550	HOSE ASSY, RETURN	1							
17	2	129263-49750	TUBE, CORRUGATED	1							
18	2	124722-59050	CLAMP, HOSE 9	2							
20	1	123907-59560	JOINT, HOSE	1							
21	1	22190-080002	WASHER, SEAL 6	1							
22	1	114110-07760	LABEL, FUEL CAUTION	1							
23	1	129612-52100	PUMP, FUEL FEED	1							
24	1	129245-55710	SEPARATOR ASSY, WATER	1							
25	2	129245-55720	CUP ASSY, SEPARATOR	1							
26	2	129242-55730	ELEMENT, FUEL	1							
27	2	129242-55740	PLUG, DRAIN	1							
28	2	129242-55750	VALVE, AIR VENT	1							
29	2	129242-55760	GASKET, PLUG	1							
30	2	129242-55770	FLOAT	1							
31	2	24311-000160	O-RING, 1AP16.0	1							
32	2	24321-000750	O-RING, 1AG75.0	1							
33	1	129973-55900	COOLER, FUEL OIL	1							

N:Old  $\frac{100}{100}$  New, Q:Old  $\frac{100}{100}$  New, R:Old  $\frac{100}{100}$  New, S:Old  $\frac{100}{100}$  New, W:Add, Z:Discontinued, F:Interchangeable by set, K:Qty Change  
Copyright (C) YANMAR GLOBAL CS CO., LTD. All Rights Reserved.

Fig.15. STARTING MOTOR

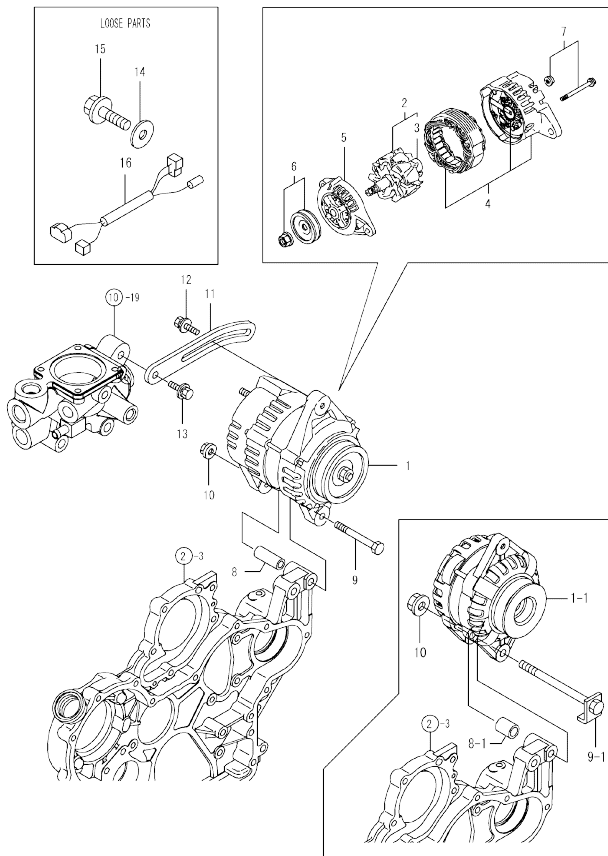


(A)=4TNV98-ESDB6U  
(B)=  
(C)=

(D)=  
(E)=  
(F)=

No.	Lev.	Parts No.	Description	Q'ty						I	R
				(A)	(B)	(C)	(D)	(E)	(F)		
1	1	129940-77010	STARTER ASSY	1							
2	2	129940-77100	ARMATURE ASSY	1							
5	2	129940-77130	COIL ASSY, FIELD	1							
6	3	129940-77140	SCREW, CORE SET	4							
7	3	129940-77150	O-RING	1							
8	3	129940-77160	BRUSH	2							
9	2	129940-77170	COVER	1							
10	2	129940-77180	HOLDER ASSY, BRUSH	1							
11	3	129940-77190	SPRING, BRUSH	1							
12	3	129940-77200	BRUSH	2							
13	2	129940-77210	SWITCH ASSY, MAGNET	1							
14	2	129940-77220	CASE, GEAR	1							
15	2	129940-77230	RETAINER, BEARING	1							
16	2	129940-77240	LEVER SET	1							
17	2	129940-77250	COVER KIT, DUST	1							
18	2	129940-77260	BOLT, THROUGH	2							
19	2	129940-77270	BOLT	4							
20	2	129940-77280	SCREW	2							
21	2	123900-77510	PINION ASSY	1							
22	3	123900-77520	CLUTCH ASSY	1							
23	4	X2240610100	BEARING, BALL	2							
24	3	123900-77540	SHAFT, PINION	1							
25	3	119131-77550	STOPPER SET, PINION	1							
29	2	121254-77810	COVER, TERMINAL	1							
30	2	114371-79070	BOLT	2							
31	1	26116-120252	BOLT, M12X 25 PLATED	2							

Fig.16. GENERATOR



(A)=4TNV98-ESDB6U  
(B)=  
(C)=

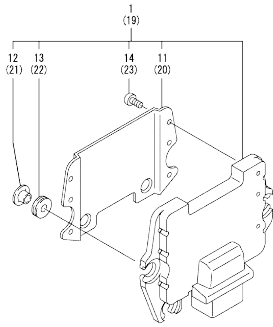
(D)=  
(E)=  
(F)=

No.	Lev.	Parts No.	Description	Q'ty						I	R
				(A)	(B)	(C)	(D)	(E)	(F)		
1	1	123900-77210	ALTERNATOR, 12V-60A	1							
1-1	1	129908-77210 (A=EN2442)	ALTERNATOR	1							F 1
2	2	123900-77700 (A=EN2442)	ROTOR ASSY	1							Z
3	3	129612-77710 (A=EN2442)	BEARING, BALL	1							Z
4	2	123900-77720 (A=EN2442)	BRACKET ASSY	1							Z
5	2	123900-77730 (A=EN2442)	BRACKET ASSY	1							Z
6	2	123900-77740 (A=EN2442)	PULLEY, GENERATOR	1							Z
7	2	123900-77750 (A=EN2442)	SCREW KIT	1							Z
8	1	129470-77340	PIECE, DISTANCE	1							
8-1	1	129908-77360 (A=EN2442)	PIECE, DISTANCE	1							F 1
9	1	26116-101202	BOLT, M10X120 PLATED	1							
9-1	1	129908-77220 (A=EN2442)	BOLT, STOPPER M10	1							F 1
10	1	26306-100002	NUT, M10	1							
11	1	129916-77300	ADJUSTER, BELT	1							
12	1	119810-77340	BOLT, ADJUST L=30	1							
13	1	26014-080252	BOLT, M8X 25	1							
14	1	129927-77690	WASHER, ECU	3							
15	1	26106-080252	BOLT, M8X 25 PLATED	3							
16	1	129908-77940 (A=EN2442)	HARNESS	1							F 1

Remarks

(1)Interchangeable by simultaneous replacement with No.1-1, 8-1, 9-1, 16.

Fig.17. ELECTRONIC CONTROL UNIT (ECU)



(A)=4TNV98-ESDB6U  
(B)=  
(C)=

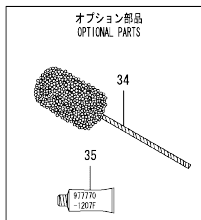
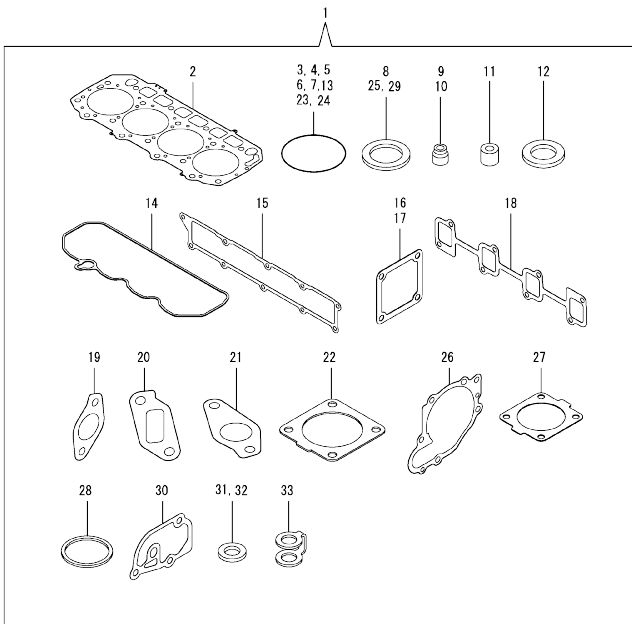
(D)=  
(E)=  
(F)=

No.	Lev.	Parts No.	Description	Q'ty						I	R
				(A)	(B)	(C)	(D)	(E)	(F)		
1	1	129921-75080	CONTROLLER ASSY, EUC	1							1
11	2	129927-77600	SHIELD, ECU	1							
12	2	129927-77680	COLLAR, CONTROL	3							
13	2	119578-91351	ABSORBER	3							
14	2	22877-500080	SCREW, 5X 8	6							
19	1	129927-75900	ECU ASSY, SERVICE	1							2
20	2	129927-77600	SHIELD, ECU	1							
21	2	129927-77680	COLLAR, CONTROL	3							
22	2	119578-91351	ABSORBER	3							
23	2	22877-500080	SCREW, 5X 8	6							

Remarks

(1)ECO ECU  
THIS PART CANNOT BE ORDERED.  
REPLACE THE PART USING A SERVICE  
ECU WITH THE PROPER ENGINE  
INFORMATION INSTALLED.  
(2)SERVICE ECU  
IF THE PROPER INFORMATION IS NOT  
INSTALLED, THE ENGINE WILL NOT  
OPERATE.  
TO INSTALL PROPER INFORMATION,  
GO TO AN AUTHORIZED DISTRIBUTOR.

Fig.18. GASKET SET



(A)=4TNV98-ESDB6U  
(B)=  
(C)=

(D)=  
(E)=  
(F)=

No.	Lev.	Parts No.	Description	Qty						I	R	
				(A)	(B)	(C)	(D)	(E)	(F)			
1	1	729927-92860	GASKET SET	1							1	
2	2	129907-01331	GASKET, HEAD	1								
3	2	129900-32030	O-RING, P20	2								
4	2	129900-32040	O-RING, P14	1								
5	2	24311-000070	O-RING, 1AP7.0	1								
6	2	24351-030750	O-RING, 1A3075	1								
7	2	24311-000320	O-RING, 1AP32.0	3								
8	2	22190-220002	WASHER, SEAL 22	1								
9	2	119803-11340	SEAL, VALVE STEM	8								
10	2	124160-11340	SEAL, VALVE STEM	8								
11	2	119802-11870	PROTECTOR, NOZZLE	4								
12	2	119625-11880	SEAT, NOZZLE	4								
13	2	24311-000120	O-RING, 1AP12.0	8								
14	2	129933-11310	GASKET, BONNET	1								
15	2	129907-12110	GASKET, MANIFOLD	1								
16	2	119129-77020	GASKET	1								
17	2	121850-77021	GASKET, AIR HEATER	1								
18	2	129900-13251	GASKET, EXH.MANIFOLD	1								
19	2	129927-13810	GASKET	1								
20	2	129927-13910	GASKET, EGR	1								
21	2	129927-13920	GASKET, EGR	1								
22	2	129930-13201	GASKET, SILENCER	1								
23	2	24341-000530	O-RING, 1AS53.0	1								
24	2	24321-000600	O-RING, 1AG60.0	1								
25	2	22190-080002	WASHER, SEAL 6	7								
26	2	129900-42020	GASKET, WATER PUMP	1								
27	2	121850-49540	GASKET, THERMOSTAT	1								
28	2	121850-49550	GASKET, THERMOSTAT	1								
29	2	22190-120002	WASHER, SEAL 12	1								
30	2	129900-49870	GASKET, THERMOSTAT	1								
31	2	23414-080000	GASKET, 8X1.0	1								
32	2	124465-44950	GASKET, 16	2								
33	2	123907-59550	GASKET	5								
34	1	129400-92450	HONE, FLEX	1								1
35	1	97770-1207F	GASKET, LIQUID	1								1

Remarks  
(1)OPTIONAL PART.

## Parts No. Index

Parts No.	Fig. No.	Ref. No.	Parts No.	Fig. No.	Ref. No.	Parts No.	Fig. No.	Ref. No.	Parts No.	Fig. No.	Ref. No.
105025-59750	14	7	121850-44860	10	49	129008-61301	12	26	129900-23601	8	27
114110-07760	14	22	121850-44870	10	50	129100-01580	2	1	129900-23611	8	30
114250-53080	13	2	121850-44880	10	51		3	1	129900-23911	8	29
114250-53120	13	6	121850-49540	10	23	129103-49301	9	8	129900-25100	7	10
114250-53130	13	7		18	27	129136-59110	14	10	129900-32001	2	4
114250-53140	13	8	121850-49550	10	25	129150-02450	7	4	129900-32030	2	16
114250-53210	13	12		18	28	129150-11230	4	39		9	19
114371-79070	15	30	121850-49800	10	26			43		18	3
119005-35151	9	18	121850-77021	5	8	129150-11750	4	20	129900-32040	2	17
119005-77051	5	9		18	17			40		18	4
119117-44760	10	17	121857-44800	10	45			44	129900-42020	10	11
119129-77020	5	7	123472-59120	13	41	129150-14200	7	1		18	26
	18	16	123900-25060	7	9	129150-25920	7	13	129900-49870	10	31
119129-77520	5	10	123900-77210	16	1	129150-59120	13	42		18	30
119131-18320	6	3	123900-77510	15	21	129150-59131	13	45	129902-21000	8	1
119131-77550	15	25	123900-77520	15	22	129242-55730	14	26	129906-34851	9	16
119578-91351	17	13	123900-77540	15	24	129242-55740	14	27	129906-51580	11	58
		22	123900-77700	16	2	129242-55750	14	28	129907-01331	1	28
119593-11301	4	31	123900-77720	16	4	129242-55760	14	29		18	2
119620-01750	3	3	123900-77730	16	5	129242-55770	14	30	129907-03011	4	53
119620-11180	4	15	123900-77740	16	6	129245-55710	14	24	129907-03061	4	54
119625-11880	4	27	123900-77750	16	7	129245-55720	14	25	129907-03070	4	55
	18	12	123907-03100	4	56	129263-13210	6	5	129907-07900	4	1
119640-01640	3	8	123907-03110	4	57	129263-49750	14	17	129907-11100	4	12
119640-61400	4	62	123907-03120	4	58	129263-77941	11	123	129907-11110	4	13
119761-39450	9	27	123907-03140	4	59	129400-92450	18	34	129907-11120	4	14
119802-11870	4	26	123907-11280	4	36	129418-18320	6	4	129907-11250	4	33
	18	11	123907-11550	4	4	129457-59010	14	4	129907-11260	4	34
119802-13680	6	7	123907-11601	13	40	129466-49300	9	9	129907-11270	4	35
119802-51680	11	65	123907-11820	4	22	129470-77340	16	8	129907-11341	4	32
119802-51690	11	66	123907-11830	4	21	129612-52100	14	23	129907-11510	4	18
119803-11340	4	16	123907-39500	9	30	129612-77710	16	3	129907-11650	4	37
	18	9	123907-59540	14	14	129657-51590	11	60	129907-11660	4	41
119803-53400	13	13	123907-59550	14	15	129657-51600	11	61	129907-11800	4	25
119810-77340	16	12		18	33	129900-01200	1	27	129907-11910	4	28
119852-51630	11	70	123907-59560	14	20	129900-01250	1	4	129907-11920	4	45
119852-51640	11	71	123912-33050	9	2	129900-01850	2	35	129907-11950	4	29
119852-51650	11	73	123912-33100	9	3	129900-01870	2	36	129907-12110	5	1
119934-59910	11	130	124160-01751	2	24	129900-02020	1	6		18	15
120130-22301	8	21		4	51	129900-02341	1	32	129907-14400	7	2
120147-44810	10	53	124160-11340	4	17	129900-02410	1	9	129907-25900	7	16
121254-77810	15	29		18	10	129900-02931	1	24	129907-33010	9	1
121450-42450	10	35	124160-11360	4	67	129900-02941	1	35	129907-49050	9	5
121520-34810	9	15	124465-44950	10	36	129900-13251	6	6	129907-49630	9	10
121750-59890	14	12		18	32		18	18	129907-49650	9	12
121850-21130	8	11	124722-59050	14	18	129900-14100	7	6	129907-51560	11	55
121850-21290	8	4	124766-59050	14	5	129900-21200	8	3	129907-55801	14	2
121850-21920	8	5			9	129900-21600	8	14	129907-59140	14	13
121850-44830	10	52	129004-55612	14	1	129900-23001	8	23	129908-14581	7	3
121850-44850	10	48	129005-59830	9	32	129900-23200	8	26	129908-33101	9	4



## Parts No. Index

Parts No.	Fig. No.	Ref. No.
129908-77210	16	1 -1
129908-77220	16	9 -1
129908-77360	16	8 -1
129908-77940	16	16
129916-01710	3	7
129916-01790	3	6
129916-01800	2	34
129916-21590	8	12
129916-21610	8	7
129916-21620	8	8
129916-49530	10	22
129916-77300	16	11
129921-75080	17	1
129927-11320	4	52
129927-11700	4	5
129927-12100	5	3
129927-12150	5	2
129927-13100	6	2
129927-13150	6	1
129927-13800	6	9
129927-13810	6	10
	18	19
129927-13910	6	14
	18	20
129927-13920	6	15
	18	21
	8	17
129927-22050	8	15
129927-22080	8	15
129927-39060	9	28
129927-42000	10	1
129927-42140	2	17 A
129927-44900	10	20
129927-49610	10	37
129927-49620	10	41
129927-51250	11	137
129927-51390	11	22
129927-51650	11	121
129927-51660	11	122
129927-51670	11	125
129927-53200	13	9
129927-59550	14	16
129927-59810	13	47
129927-59820	13	48
129927-59830	13	49
129927-59840	13	50
129927-75900	17	19
129927-77600	17	11
		20
129927-77680	17	12
		21

Parts No.	Fig. No.	Ref. No.
129927-77690	16	14
129928-13900	6	13
129928-42410	10	14
129930-13201	6	18
	18	22
129933-11310	4	61
	18	14
	10	19
129938-49800	4	2
129939-07920	15	1
129940-77010	15	2
129940-77100	15	5
129940-77130	15	6
129940-77140	15	7
129940-77150	15	8
129940-77160	15	9
129940-77170	15	10
129940-77180	15	11
129940-77190	15	12
129940-77200	15	13
129940-77210	15	14
129940-77220	15	15
129940-77230	15	16
129940-77240	15	17
129940-77250	15	18
129940-77260	15	19
129940-77270	15	20
129944-01500	2	3
129951-01740	2	26
129953-25300	7	15
129953-35000	9	20
129953-44710	10	16
129957-59120	14	6
129960-21640	8	9
129961-59110	14	11
129961-59310	14	8
129973-55900	14	33
129981-01600	3	2
144626-51090	11	10
158552-51571	11	56
158552-51580	11	59
158552-51670	11	126
158552-51781	11	98
158552-52100	11	128
158552-52310	11	106
158552-52400	11	107
158552-52500	11	129
158553-51670	11	64
158553-51680	11	76
158553-51930	11	101

Parts No.	Fig. No.	Ref. No.
158553-51930	12	2
158553-61780	12	27
158557-51570	11	57
158557-61720	12	16
158563-51150	11	13
158563-51281	11	20
		21
158563-51330	11	32
158600-51270	11	19
158601-51550	11	54
158601-51650	11	124
158601-51770	11	97
158601-51790	11	99
171031-11741	2	30
171051-01921	1	5
175339-79700	4	63
22190-080002	9	33
		35
		37
	14	21
	18	25
22190-120000	12	28
22190-120002	10	28
	11	102
		108
		131
	18	29
22190-180002	11	103
22190-220002	3	10
	18	8
22217-050000	11	132
22217-180000	11	109
22252-000300	8	22
22312-050140	11	110
22351-050010	11	111
22351-060012	1	11
22512-070140	7	7
	8	6
22857-500100	4	64
		65
22877-500080	17	14
		23
23000-025000	9	13
23080-012000	10	40
		44
23414-080000	10	32
	18	31
23857-030000	9	34
23875-030000	10	29
23876-020000	4	9

Parts No.	Fig. No.	Ref. No.
23876-030000	1	12
		13
		14
	4	10
24311-000070	2	18
	11	112
	18	5
24311-000120	4	30
		68
	18	13
24311-000160	14	31
24311-000320	2	25
		31
	4	69
	18	7
24321-000600	9	14
	18	24
24321-000750	14	32
24341-000480	12	22
24341-000530	8	10
	18	23
24351-030750	2	19
	18	6
24356-010200	11	67
		113
24356-020210	11	114
24372-000150	11	68
25153-004400	10	15
26014-080252	16	13
26106-060102	11	115
26106-060122	4	66
	11	133
26106-060162	12	23
26106-060202	10	30
26106-060252	12	29
26106-060302	10	12
26106-060352	11	116
26106-080122	3	11
	9	25
		36
		38
	10	33
26106-080162	2	20
		37
	4	3
	7	8
	9	26
26106-080202	2	21
		27
	11	138

## Parts No. Index

Parts No.	Fig. No.	Ref. No.
26106-080252	12	24
	16	15
26106-080302	11	139
	14	3
26106-080402	2	38
	4	47
	5	11
26106-080452	2	22
		28
	5	5
26106-080552	7	14
	10	13
26106-080602	4	48
		49
	10	34
26106-080702	2	39
26106-080752	2	29
26106-080802	5	6
	10	18
26106-080902	5	12
26106-100302	6	11
		16
26106-100952	6	17
26116-101202	16	9
26116-120252	15	31
26206-100352	3	4
26206-100702	3	5
26216-060202	5	4
26216-100302	2	15
26226-080222	4	46
26306-080002	4	50
	6	8
		12
26306-100002	2	23
	16	10
26366-060002	13	51
26450-100452	11	117
26716-050002	11	134
26776-180002	11	118
27241-160000	11	135
27241-300000	1	10
27241-400000	4	11
27310-070001	4	23
729900-02801	1	29
729907-01559	2	32
729927-01560	1	1
729927-22900	8	32
729927-22950	8	34
729927-53200	13	1
729927-92860	18	1

Parts No.	Fig. No.	Ref. No.
729939-51340	11	1
977770-1207F	18	35
X2240610100	15	23

Parts No.	Fig. No.	Ref. No.
-----------	----------	----------

Parts No.	Fig. No.	Ref. No.
-----------	----------	----------