

0CV10-M94600EN

PREFACE

- 1.This Parts Catalog carries all parts incorporated in YANMAR Model 4TNV98-GGK engine manufactured since March, 2004.
- 2.Each illustration corresponds to the parts list on the following page.
- 3.When ordering parts,clearly write down the engine model and serial number,as well as the name and number of each part in your order sheet. This will help insure reliable delivery of the parts you have ordered.

Directions for the Parts Catalog.

- The parts stipulated in this Parts Catalog are not necessarily standard equipped parts.
- Parts may change without prior notice.
- The following is an example of the Parts Catalog format.

REF.	LEV.	PARTS NO.	DESCRIPTION	Q'TY						I	R
				(A)	(B)	(C)	(D)	(E)	(F)		
1	1	729595-51390	FUEL INJECTION PUMP	1	1	1	1	1			1
1-1	1	729595-51391	FUEL INJECTION PUMP	1	1	1	1	1		N	1
		(A=E00185) (B=E00200)									
3	2	26022-060162	SCREW M 6X 16	9	9	9	9	9			
3-1	2	26022-060162	SCREW M 6X 16	4	4	4	4	4		K	
		(A=E00156) (B=E00156) (C=E00156) (D=E00156) (E=E00156)									
4	2	129470-51040	CAMSHAFT	1	1	1	1	1			
5	2	122710-51050	BEARING, ROLLER	2	2	2	2	2			
6	2	129470-51060	RETAINER	1	1	1	1	1			

Remarks
(1) BOOST COMPEMSATOR TYPE. OPTIONAL PART, TO E00155,(4JH-DT, 4JH-DTZ

① Ref. No.

The Ref. No. listed may not be in accordance with the illustration Ref. No.

(Ex.) Illustration No.

List Ref No.

1 1 (Before change) → 1-1 (After change)

For interchangeable symbols N, R and K, illustrations for new parts may be abbreviated.

② Lev. (Level)

Level indication

The numbers below indicate the level of relativity towards the main part.

1 ---- Main parts (Assembly parts)

2 ---- Sub component included in " 1 ".

3 ---- Sub component included in " 2 ".

Note) Parts that are not for sale are partially illustrated but not listed.

③ Interchangeability Mark

When a part change takes place, one of the following interchangeability symbols is indicated beside the part.

Symbol	Interchangeability	Contents note
N	Old $\begin{matrix} \leftarrow \text{Yes} \\ \text{No} \rightarrow \end{matrix}$ New	New Part is interchangeable for Old Part but Old Part is not interchangeable for New Part.
Q	Old $\begin{matrix} \leftarrow \text{No} \\ \text{Yes} \rightarrow \end{matrix}$ New	New Part is not interchangeable for Old Part but Old Part is interchangeable for New Part.
R	Old $\begin{matrix} \leftarrow \text{Yes} \\ \text{Yes} \rightarrow \end{matrix}$ New	New/ Old Parts are both interchangeable.
S	Old $\begin{matrix} \leftarrow \text{No} \\ \text{No} \rightarrow \end{matrix}$ New	New/ Old Parts are both not interchangeable.
W		Part newly added.
Z		Part discontinued.
F		Not interchangeable by a single part but interchangeable together with related parts.
K		Changes only for used parts quantities.

④ Effective Machine No.

When a part changes, the effective Machine No. will be indicated in the (A)-(F) column.

Product Symbol	Product No.	Product Symbol	Product No.
C	Clutch No. Compressor No.	F	Machine No. (Agricultural Equip.)
D	Drive No.	M	Machine No.
E	Engine No.		

Note 1) A date may follow the symbol. (Ex.) 1996.01

Note 2) "XXXXX" and "ZZZZZ" are for parts that could not be predicted or for engine models that could not be identified.

Note 3) (A=E00185) is the E (Engine Serial Number) for the column (A) model (in this case 4JH-DT) after the parts design change.

⑤ Remarks Mark

Figures or alphabets (symbols) are entered in the remarks column.

The comments (remarks) on parts that are indicated at the bottom of the illustration are the same symbols as those stated above.

Contents

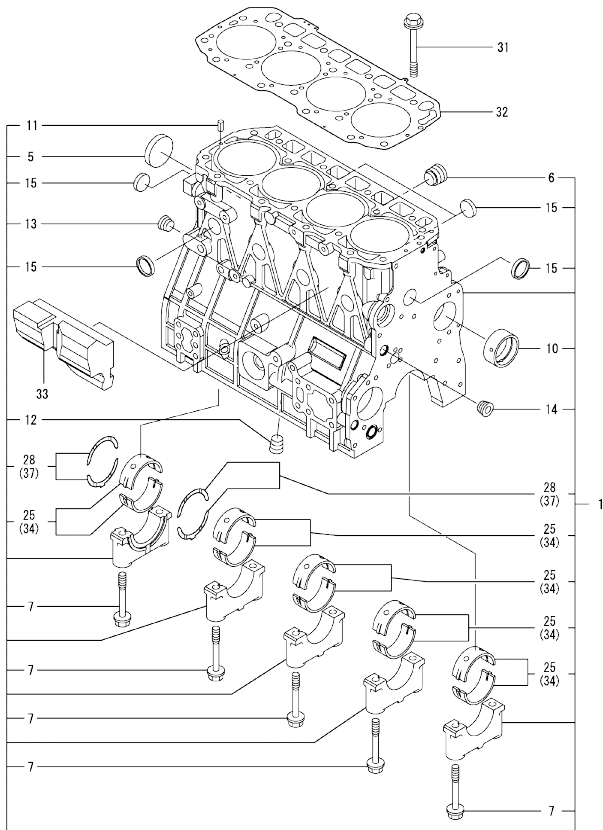
0CV10-M94600

Fig. No.	Fig. Name	Fig. No.	Fig. Name
ENGINE SECTION (4TNV98-GGK)			
1.	CYLINDER BLOCK		
2.	GEAR HOUSING		
3.	FLYWHEEL HOUSING & OIL SUMP		
4.	CYLINDER HEAD & BONNET		
5.	SUCTION MANIFOLD		
6.	CAMSHAFT & DRIVING GEAR		
7.	CRANKSHAFT & PISTON		
8.	LUB.OIL SYSTEM		
9.	COOLING WATER SYSTEM		
10.	FUEL INJECTION PUMP		
11.	FUEL INJECTION VALVE		
12.	FUEL LINE		
13.	STARTING MOTOR		
16.	(13A)STARTING MOTOR		
14.	GENERATOR		
15.	GASKET SET		

Fig.1. CYLINDER BLOCK

(A)=4TNV98-GGK
(B)=
(C)=

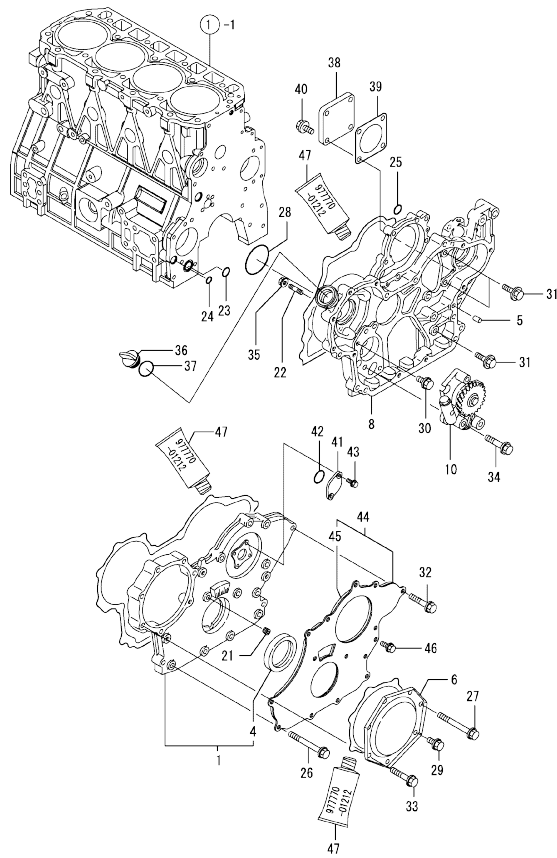
(D)=
(E)=
(F)=



No.	Lev.	Parts No.	Description	Q'ty						I	R
				(A)	(B)	(C)	(D)	(E)	(F)		
1	1	729907-01560	BLOCK ASSY, CYLINDER	1							
5	2	129900-01250	PLUG, DISH TYPE 55	1							
6	2	171051-01921	PLUG, NPTF1	1							
7	2	129900-02020	BOLT, METAL CAP	10							
10	2	129900-02410	BUSH, CAMSHAFT	1							
11	2	22351-060012	PIN, SPRING 6.0X12	2							
12	2	23876-030000	PLUG, R03	1							
13	2	23876-030000	PLUG, R03	1							
14	2	23876-030000	PLUG, R03	1							
15	2	27241-300000	PLUG 30	8							
25	2	729900-02800	BEARING, MAIN	5							3
28	2	129900-02930	BEARING ASSY, THRUST	2							
31	1	129900-01200	BOLT, CYLINDER HEAD	18							
32	1	129907-01331	GASKET, HEAD	1							
33	1	129907-01190	SPACER	1							
34	1	129900-02340	BEARING ASSY, MAIN	5							1
37	1	129900-02940	BEARING, THRUST 0.25	2							2

Remarks
(1) UNDER-SIZED(U.S=0.25)PART.
(2) OVER-SIZED(O.S=0.25)PART.
(3) REPAIR PART.

Fig.2. GEAR HOUSING



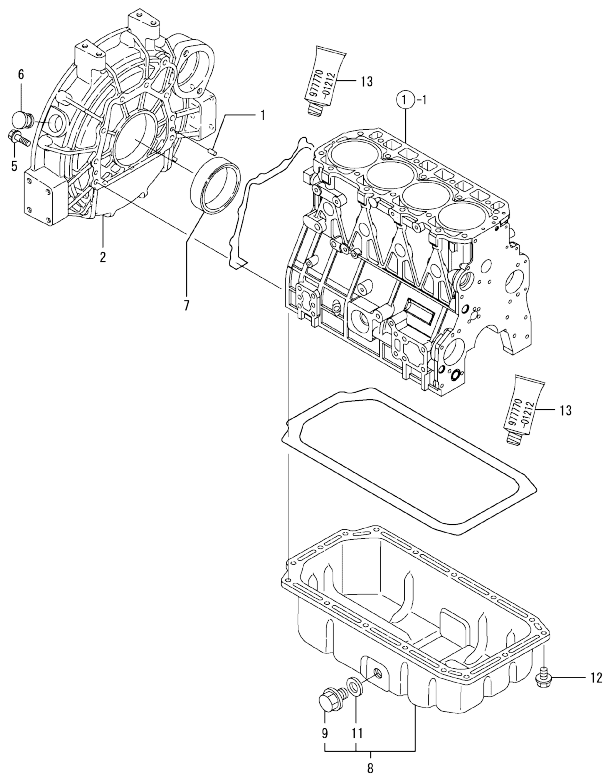
(A)=4TNV98-GGK
(B)=
(C)=

(D)=
(E)=
(F)=

No.	Lev.	Parts No.	Description	Qty						I	R	
				(A)	(B)	(C)	(D)	(E)	(F)			
1	1	729907-01570	COVER ASSY,GEAR CASE	1								
4	2	129900-01780	SEAL, OIL	1								
5	1	129100-01580	PIN, PARALLEL 8X16	4								
6	1	129900-01740	COVER	1								
8	1	129907-01500	CASE, GEAR	1								
10	1	129900-32001	PUMP ASSY, OIL	1								
21	1	23876-010000	PLUG, R01	1								
22	1	26216-100302	STUD, M10X 30	4								
23	1	129900-32030	O-RING, P20	1								
24	1	129900-32040	O-RING, P14	1								
25	1	24311-000070	O-RING, 1AP7.0	1								
26	1	129001-91810	BOLT, M8X70	6								
27	1	129001-91810	BOLT, M8X70	1								
28	1	24351-030750	O-RING, 1A3075	1								
29	1	26106-080162	BOLT, M8X 16 PLATED	1								
30	1	26106-080162	BOLT, M8X 16 PLATED	1								
31	1	26106-080202	BOLT, M8X 20 PLATED	3								
32	1	26106-080402	BOLT, M8X 40 PLATED	5								
33	1	26106-080402	BOLT, M8X 40 PLATED	5								
34	1	26106-080452	BOLT, M8X 45 PLATED	3								
35	1	26306-100002	NUT, M10	4								
36	1	124160-01751	CAP, FILLER	1								
37	1	24311-000320	O-RING, 1AP32.0	1								
38	1	124240-01871	COVER, PUMP	1								
39	1	124240-01883	GASKET	1								
40	1	26106-080162	BOLT, M8X 16 PLATED	4								
41	1	121023-01550	COVER	1								
42	1	24341-000240	O-RING, 1AS24.0	1								
43	1	26106-060162	BOLT, M6X 16 PLATED	2								
44	1	129900-01850	COVER ASSY,GEAR CASE	1								
45	2	129900-01870	SPONGE, GEAR CASE	1								
46	1	26106-080162	BOLT, M8X 16 PLATED	3								
47	1	977770-01212	GASKET, LIQUID	1								1

Remarks
(1) OPTIONAL PART.

Fig.3. FLYWHEEL HOUSING & OIL SUMP



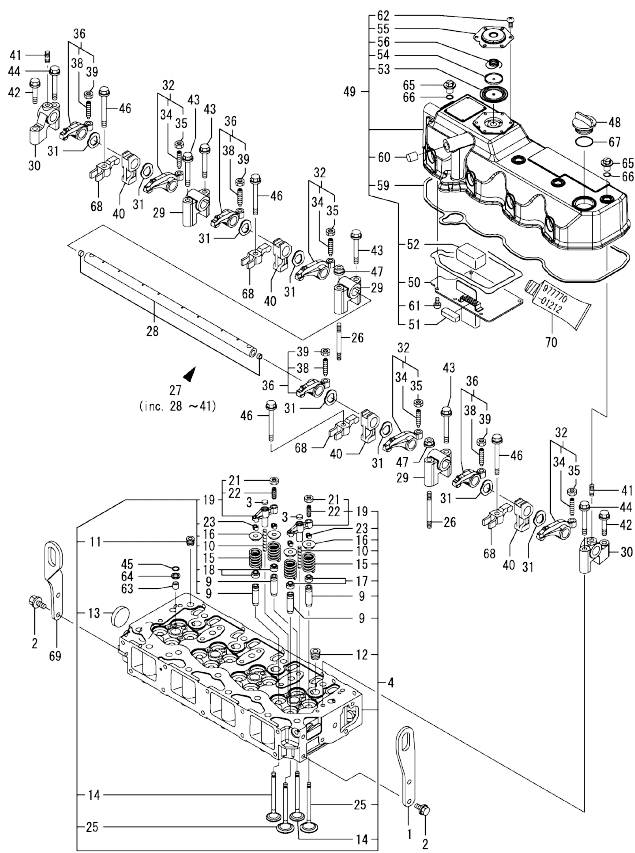
No.	Lev.	Parts No.	Description	Q'ty						I	R
				(A)	(B)	(C)	(D)	(E)	(F)		
1	1	129100-01580	PIN, PARALLEL 8X16	2							
2	1	129951-01620	HOUSING, FLYWHEEL	1							
5	1	26206-100352	BOLT, M10X 35 PLATED	9							
6	1	119000-01840	PLUG, RUBBER	1							
7	1	124411-01780	SEAL, HTC95X115X12	1							
8	1	129902-01710	OIL PAN ASSY	1							
9	2	119640-01640	PLUG, DRAIN M22	1							
11	2	22190-220002	WASHER, SEAL 22	1							
12	1	26106-080122	BOLT, M8X 12 PLATED	16							
13	1	977770-01212	GASKET, LIQUID	1							1

Remarks
(1) OPTIONAL PART.

N:Old $\frac{100}{100}$ New, Q:Old $\frac{100}{100}$ New, R:Old $\frac{100}{100}$ New, S:Old $\frac{100}{100}$ New, W:Add, Z:Discontinued, F:Interchangeable by set, K:Q'ty Change
Copyright (C) YANMAR GLOBAL CS CO., LTD. All Rights Reserved.

OCV10-M94600 ENGINE SECTION (4TNV98-GGK)
 Fig.4. CYLINDER HEAD & BONNET

OCV10-M94600 Fig.4



(A)=4TNV98-GGK
 (B)=
 (C)=

(D)=
 (E)=
 (F)=

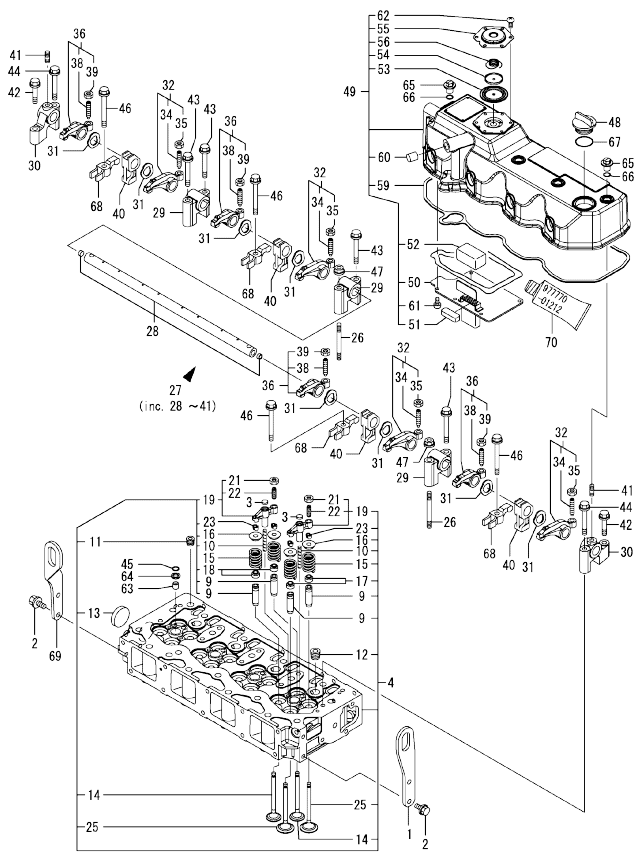
No.	Lev.	Parts No.	Description	Q'ty						I	R
				(A)	(B)	(C)	(D)	(E)	(F)		
1	1	129907-07900	LIFTER, ENGINE	1							
2	1	26106-080162	BOLT, M8X 16 PLATED	4							
3	1	123907-11550	SEAT, VALVE BRIDGE	8							
4	1	129907-11700	HEAD ASSY, CYLINDER	1							1
9	2	129907-11800	GUIDE, VALVE	16							
10	2	123907-11820	GUIDE, BRIDGE	8							
11	2	23876-020000	PLUG, R02	1							
12	2	23876-030000	PLUG, R03	4							
13	2	27241-400000	PLUG, 40	1							
14	2	129907-11110	VALVE, EXHAUST	8							
15	2	129907-11120	SPRING, VALVE	16							
16	2	119620-11180	RETAINER, SPRING	16							
17	2	124160-11340	SEAL, VALVE STEM	8							
18	2	124950-11340	SEAL, VALVE STEM	8							
19	2	129907-11510	BRIDGE ASSY, VALVE	8							
21	3	129150-11750	NUT, M8	8							
22	3	123907-11830	ADJUSTER	8							
23	2	27310-070001	COTTER, 7	16							
25	2	129907-11100	VALVE, SUCTION	8							
26	1	119593-11301	BOLT, STUD M8X80	2							
27	1	129907-11341	SHAFT ASSY, ROCKER	1							
28	2	129907-11250	SHAFT, ROCKER ARM	1							
29	2	129907-11260	SUPPORT, ROCKER ARM	3							
30	2	129907-11270	SUPPORT, ROCKER ARM	2							
31	2	123907-11280	WASHER	8							
32	2	129907-11650	ARM ASSY, ROCKER	4							
34	3	129150-11230	SCREW, VALVE ADJUST	4							
35	3	129150-11750	NUT, M8	4							
36	2	129907-11660	ARM ASSY, ROCKER	4							
38	3	129150-11230	SCREW, VALVE ADJUST	4							
39	3	129150-11750	NUT, M8	4							
40	2	129907-11920	RETAINER, NOZZLE	4							
41	2	26226-080222	STUD, M8X 22	2							
42	1	26106-080402	BOLT, M8X 40 PLATED	2							
43	1	26106-080602	BOLT, M8X 60 PLATED	4							
44	1	26106-080602	BOLT, M8X 60 PLATED	2							
45	1	24311-000120	O-RING, 1AP12.0	4							
46	1	129907-11950	BOLT, M8X75	4							
47	1	26306-080002	NUT, M8	2							
48	1	124160-01751	CAP, FILLER	1							
49	1	129907-11320	BONNET ASSY, HEAD	1							
50	2	129907-03010	PLATE, BAFFLE	1							
51	2	129907-03060	BAFFLE, BREATHER	1							
52	2	129907-03070	BAFFLE, BREATHER	1							
53	2	123907-03100	DIAPHRAGM	1							
54	2	123907-03110	PLATE	1							
55	2	123907-03120	PLATE, BREATHER	1							
56	2	123907-03140	SPRING, DIAPHRAGM	1							
59	2	129907-11310	GASKET, BONNET	1							
60	2	119640-61400	PLUG	1							
61	2	22857-500100	SCREW, 5X10	6							

Remarks
 (1) REPAIR PART.
 (2) OPTIONAL PART.

N:Old $\frac{New}{Old}$ New, Q:Old $\frac{New}{Old}$ New, R:Old $\frac{New}{Old}$ New, S:Old $\frac{New}{Old}$ New, W:Add, Z:Discontinued, F:Interchangeable by set, K:Q'ty Change
 ++ CONTINUE ++
 Copyright (C) YANMAR GLOBAL CS CO., LTD. All Rights Reserved.

OCV10-M94600 ENGINE SECTION (4TNV98-GGK)
 Fig.4. CYLINDER HEAD & BONNET

OCV10-M94600 Fig.4



(A)=4TNV98-GGK
 (B)=
 (C)=

(D)=
 (E)=
 (F)=

No.	Lev.	Parts No.	Description	Q'ty						I	R
				(A)	(B)	(C)	(D)	(E)	(F)		
62	2	22857-500100	SCREW, 5X10	6							
63	1	119802-11870	PROTECTOR, NOZZLE	4							
64	1	119625-11880	SEAT, NOZZLE	4							
65	1	124160-11360	KNOB	4							
66	1	24311-000120	O-RING, 1AP12.0	4							
67	1	24311-000320	O-RING, 1AP32.0	1							
68	1	129907-11910	RETAINER, NOZZLE	4							
69	1	129910-07900	LIFTER, ENGINE	1							
70	1	97770-01212	GASKET, LIQUID	1							2

Remarks

- (1) REPAIR PART.
- (2) OPTIONAL PART.

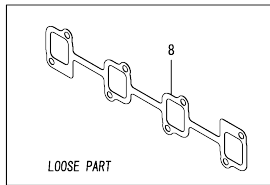
N:Old $\frac{New}{Old}$ New. Q:Old $\frac{New}{Old}$ New. R:Old $\frac{New}{Old}$ New. S:Old $\frac{New}{Old}$ New. W:Add. Z:Discontinued. F:Interchangeable by set. K:Qty Change
 Copyright (C) YANMAR GLOBAL CS CO., LTD. All Rights Reserved.

Fig.5. SUCTION MANIFOLD

(A)=4TNV98-GGK
(B)=
(C)=

(D)=
(E)=
(F)=

No.	Lev.	Parts No.	Description	Q'ty					
				(A)	(B)	(C)	(D)	(E)	(F)
1	1	129944-12110	MANIFOLD, AIR INTAKE	1					
2	1	129907-12110	GASKET, MANIFOLD	1					
3	1	26106-080452	BOLT, M8X 45 PLATED	8					
4	1	26106-080802	BOLT, M8X 80 PLATED	2					
5	1	121850-77021	GASKET, AIR HEATER	1					
6	1	121850-77100	SLEEVE, PIPE	1					
7	1	26106-080142	BOLT, M8X 14 PLATED	4					
8	1	129900-13251	GASKET, EXH.MANIFOLD	1					



LOOSE PART

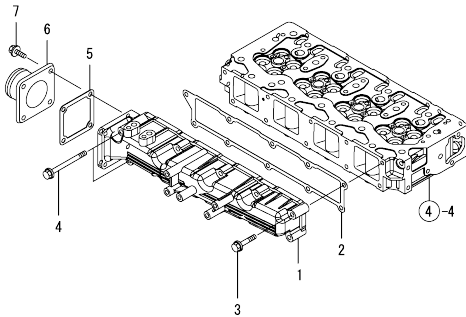
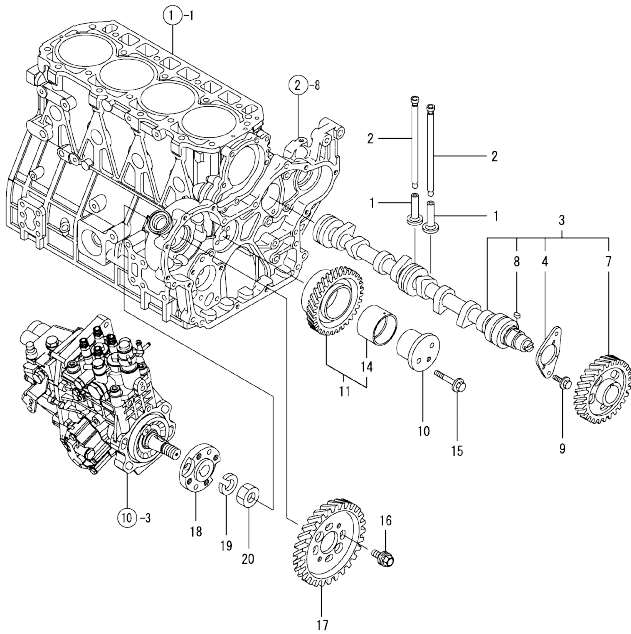


Fig.6. CAMSHAFT & DRIVING GEAR

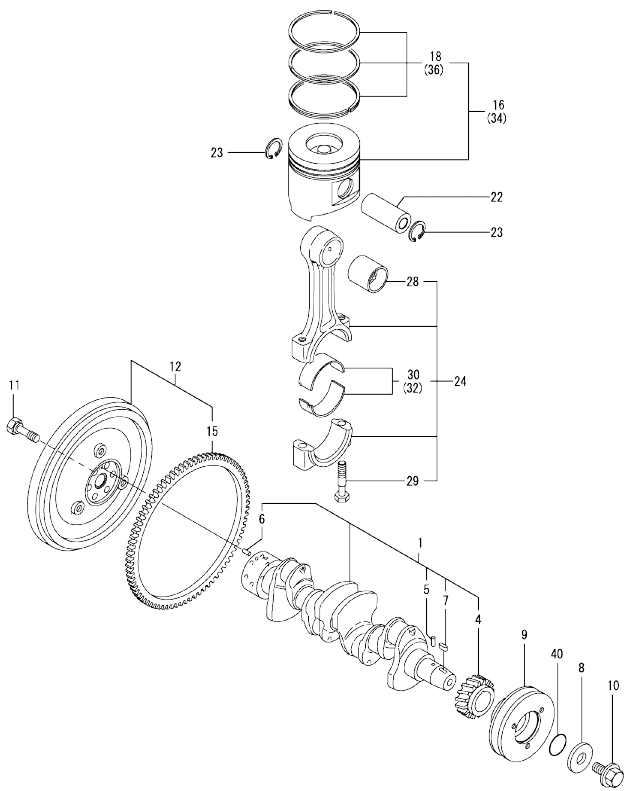


No.	Lev.	Parts No.	Description	Q'ty						I	R
				(A)	(B)	(C)	(D)	(E)	(F)		
1	1	129150-14200	TAPPET	8							
2	1	129907-14400	PUSH-ROD	8							
3	1	129907-14581	CAMSHAFT ASSY	1							
3-1	1	129908-14581	CAMSHAFT ASSY	1							N
4	2	129150-02450	BEARING, THRUST	1							
7	2	129900-14100	GEAR, CAMSHAFT	1							
8	2	22512-070140	KEY, 7X 14	1							
9	1	26106-080162	BOLT, M8X 16 PLATED	2							
10	1	123900-25060	SHAFT, IDLE GEAR	1							
11	1	129900-25100	GEAR ASSY, IDLE	1							
14	2	129150-25920	BUSH, IDLE GEAR	1							1
15	1	26106-080552	BOLT, M8X 55 PLATED	3							
16	1	129953-25300	BOLT	4							
17	1	123907-25909	GEAR, PUMP	1							
18	1	158563-51150	FLANGE	1							
19	1	22217-180000	WASHER, SPRING 18	1							
20	1	26776-180002	NUT, LOCK M18	1							

Remarks
(1) REPAIR PART.

N:Old $\frac{100}{100}$ New, Q:Old $\frac{100}{100}$ New, R:Old $\frac{100}{100}$ New, S:Old $\frac{100}{100}$ New, W:Add, Z:Discontinued, F:Interchangeable by set, K:Qty Change
Copyright (C) YANMAR GLOBAL CS CO., LTD. All Rights Reserved.

Fig.7. CRANKSHAFT & PISTON



(A)=4TNV98-GGK
(B)=
(C)=

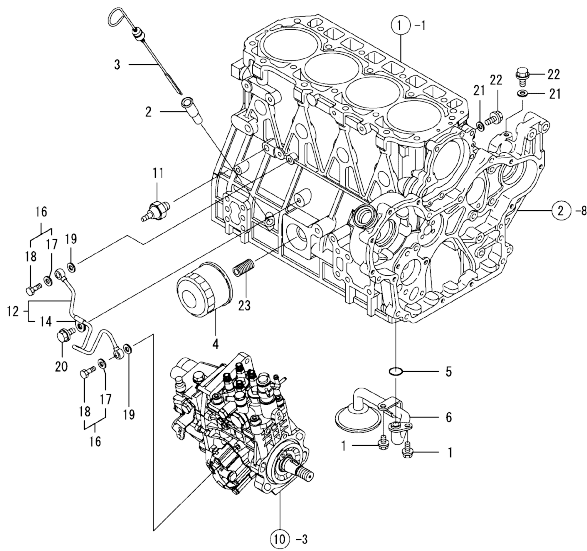
(D)=
(E)=
(F)=

No.	Lev.	Parts No.	Description	Q'ty						I	R
				(A)	(B)	(C)	(D)	(E)	(F)		
1	1	129902-21000	CRANKSHAFT ASSY	1							
4	2	129900-21200	GEAR, CRANKSHAFT	1							
5	2	121850-21290	PIN	1							
6	2	121850-21920	PIN, PARALLEL 10X22	1							
7	2	22512-070140	KEY, 7X 14	1							
8	1	129960-21640	WASHER	1							
9	1	129963-21650	V-PULLEY, 130	1							
10	1	129916-21610	BOLT	1							
11	1	121850-21130	BOLT, FLYWHEEL	6							
12	1	129902-21580	FLYWHEEL ASSY	1							
15	2	127410-21480	GEAR, RING Z=129	1							
16	1	129907-22090	PISTON ASSY, 18.5	4							
18	2	129907-22050	RING SET, PISTON	4							
22	1	120130-22301	PIN, PISTON	4							
23	1	22252-000300	RING, 30	8							
24	1	129900-23000	ROD ASSY, CONNECTING	4							
28	2	129900-23910	BEARING, PISTON PIN	4							1
29	2	129900-23200	BOLT, CONNECTING ROD	8							
30	2	129900-23600	BEARING, CRANK PIN	4							
32	1	129900-23610	BEARING ASSY, 0.25US	4							2
34	1	729907-22910	PISTON ASSY, 0.25 OS	4							3
36	2	729907-22950	RING SET, 0.25 OS	4							3
40	1	24341-000530	O-RING, 1AS53.0	1							

Remarks

- (1) REPAIR PART.
- (2) UNDER-SIZE(U.S=0.25)PART.
- (3) OVER-SIZE(O.S=0.25)PART.

Fig.8. LUB.OIL SYSTEM



(A)=4TNV98-GGK
(B)=
(C)=

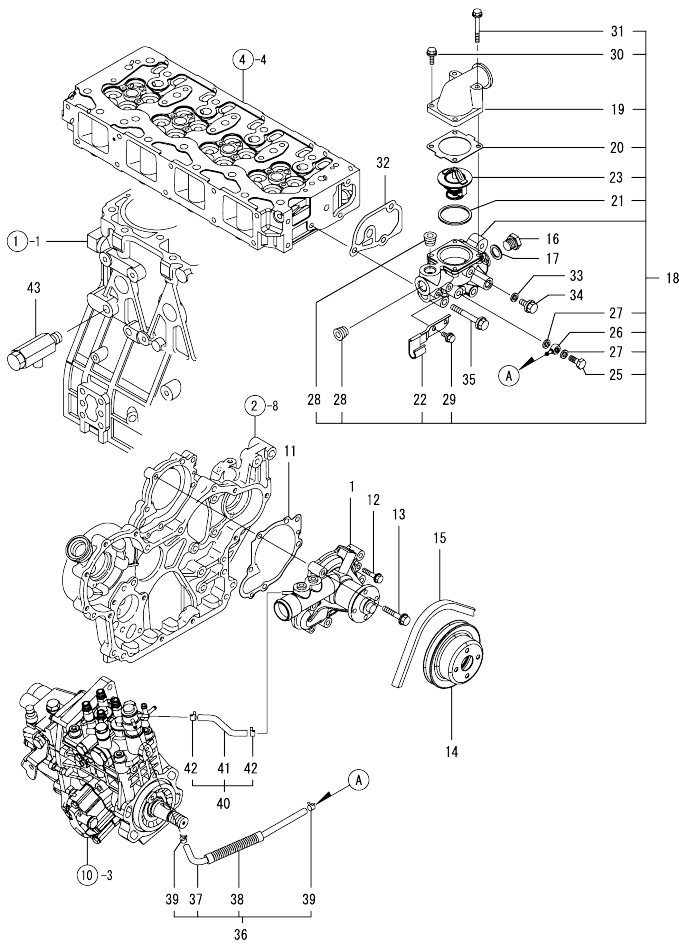
(D)=
(E)=
(F)=

No.	Lev.	Parts No.	Description	Q'ty						I	R
				(A)	(B)	(C)	(D)	(E)	(F)		
1	1	26106-080122	BOLT, M8X 12 PLATED	2							
2	1	121520-34810	GUIDE, DIPSTICK	1							
3	1	129900-34800	DIPSTICK	1							
4	1	129150-35153	FILTER ASSY, D80X80L	1							1
5	1	129900-32030	O-RING, P20	1							
6	1	129900-35000	PIPE ASSY, OIL INLET	1							
11	1	114250-39450	SWITCH, HYDRAULIC	1							
12	1	129907-39061	PIPE ASSY, OIL	1							
14	2	123907-39500	RETAINER, PIPE	1							
16	1	129005-59830	BOLT ASSY, JOINT M8	2							
17	2	22190-080002	WASHER, SEAL 6	2							
18	2	23857-030000	BOLT, JOINT 3	2							
19	1	22190-080002	WASHER, SEAL 6	2							
20	1	26106-080122	BOLT, M8X 12 PLATED	1							
21	1	22190-080002	WASHER, SEAL 6	2							
22	1	26106-080122	BOLT, M8X 12 PLATED	2							
23	1	119000-35140	BOLT, STUD FILTER	1							

Remarks
(1) REPAIR PART.

0CV10-M94600 ENGINE SECTION (4TNV98-GGK)
Fig.9. COOLING WATER SYSTEM

0CV10-M94600 Fig.9



No.	Lev.	Parts No.	Description	Q'ty						I	R
				(A)	(B)	(C)	(D)	(E)	(F)		
1	1	129907-42000	PUMP ASSY, WATER	1							
11	1	129900-42020	GASKET, WATER PUMP	1							
12	1	26106-060302	BOLT, M6X 30 PLATED	2							
13	1	26106-080552	BOLT, M8X 55 PLATED	5							
14	1	129900-42461	V-PULLEY, PUMP	1							
15	1	129052-42290	V-BELT, A40.5	1							Z
(A=2004.05)											
16	1	121450-42450	PLUG, M16	1							
17	1	124465-44950	GASKET, 16	1							
18	1	129906-49810	CASE ASSY.THERMOSTAT	1							
19	2	129980-49530	COVER, THERMOSTAT	1							
20	2	121850-49540	GASKET, THERMOSTAT	1							
21	2	121850-49550	GASKET, THERMOSTAT	1							
22	2	129907-49730	RETAINER, PIPE	1							
23	2	121850-49800	THERMOSTAT, 82C	1							
25	2	105582-59150	BOLT, PIPE JOINT M8	1							
26	2	23387-040800	JOINT, HOSE 4-8	1							
27	2	23414-080000	GASKET, 8X1.0	2							
28	2	129916-49740	PLUG, R3/8	2							
29	2	26106-060122	BOLT, M6X 12 PLATED	2							
30	2	26106-060202	BOLT, M6X 20 PLATED	2							
31	2	26106-060552	BOLT, M6X 55 PLATED	2							
32	1	129900-49870	GASKET, THERMOSTAT	1							
33	1	23414-080000	GASKET, 8X1.0	1							
34	1	26106-080122	BOLT, M8X 12 PLATED	1							
35	1	26106-080602	BOLT, M8X 60 PLATED	3							
36	1	129907-49610	HOSE ASSY, WATER A	1							
37	2	129907-49710	HOSE, WATER A	1							
38	2	129907-49750	TUBE, CORRUGATED	1							
39	2	124722-59050	CLAMP, HOSE 9	2							
40	1	129907-49620	HOSE ASSY, WATER B	1							
41	2	129907-49720	HOSE, WATER B	1							
42	2	124722-59050	CLAMP, HOSE 9	2							
43	1	119620-49290	COCK ASSY, 1/4	1							

N:Old $\frac{New}{Old}$ New, Q:Old $\frac{New}{Old}$ New, R:Old $\frac{New}{Old}$ New, S:Old $\frac{New}{Old}$ New, W:Add, Z:Discontinued, F:Interchangeable by set, K:Qty Change
 Copyright (C) YANMAR GLOBAL CS CO., LTD. All Rights Reserved.

Fig.10. FUEL INJECTION PUMP

(A)=4TNV98-GGK
(B)=
(C)=

(D)=
(E)=
(F)=

No.	Lev.	Parts No.	Description	Q'ty					
				(A)	(B)	(C)	(D)	(E)	(F)
1	1	129907-01950	RETAINER, PUMP	1					
2	1	129907-01960	RETAINER, PUMP	1					
3	1	729946-51390	FIE ASSY	1					
4	1	26106-080162	BOLT, M8X 16 PLATED	2					
5	1	26106-080222	BOLT, M8X 22 PLATED	2					
6	1	26106-080222	BOLT, M8X 22 PLATED	1					
7	1	26106-100202	BOLT, M10X 20 PLATED	1					

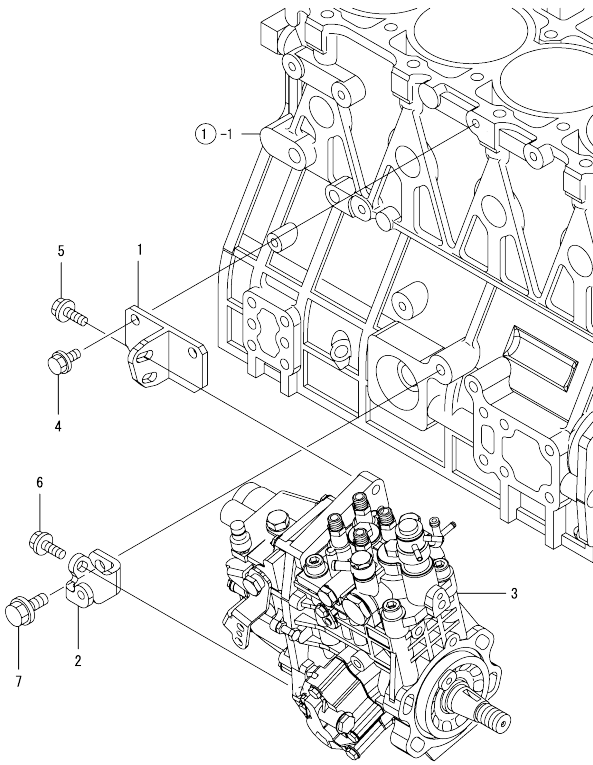
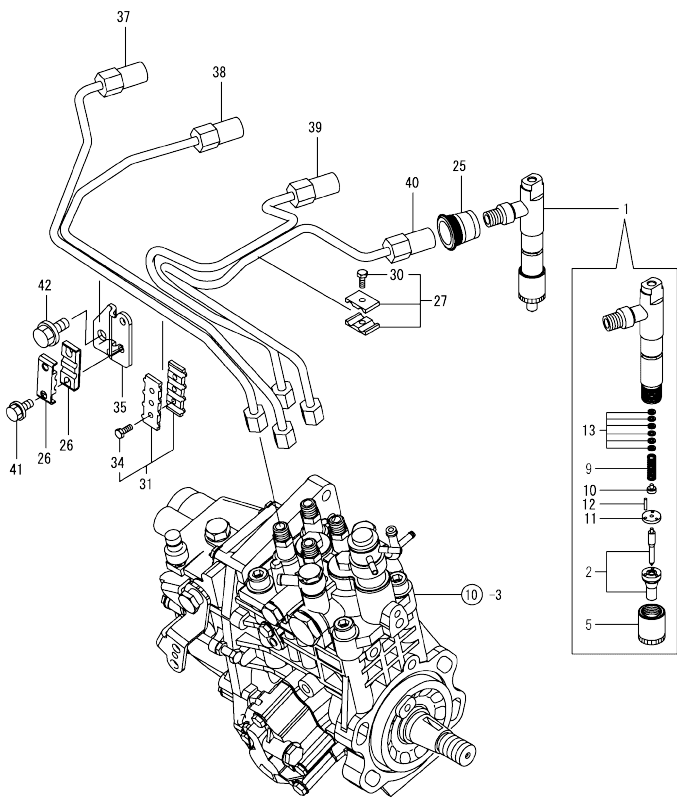


Fig.11. FUEL INJECTION VALVE

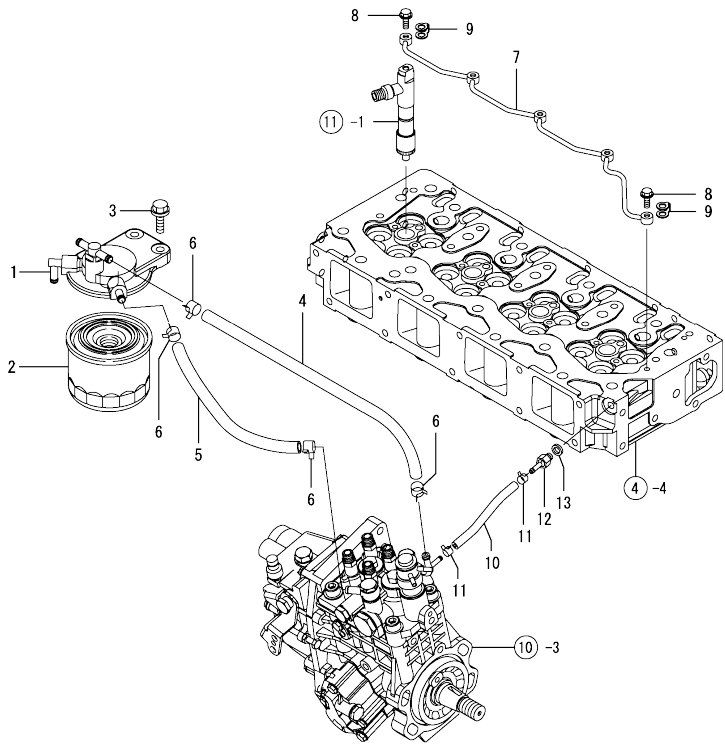


(A)=4TNV98-GGK
(B)=
(C)=

(D)=
(E)=
(F)=

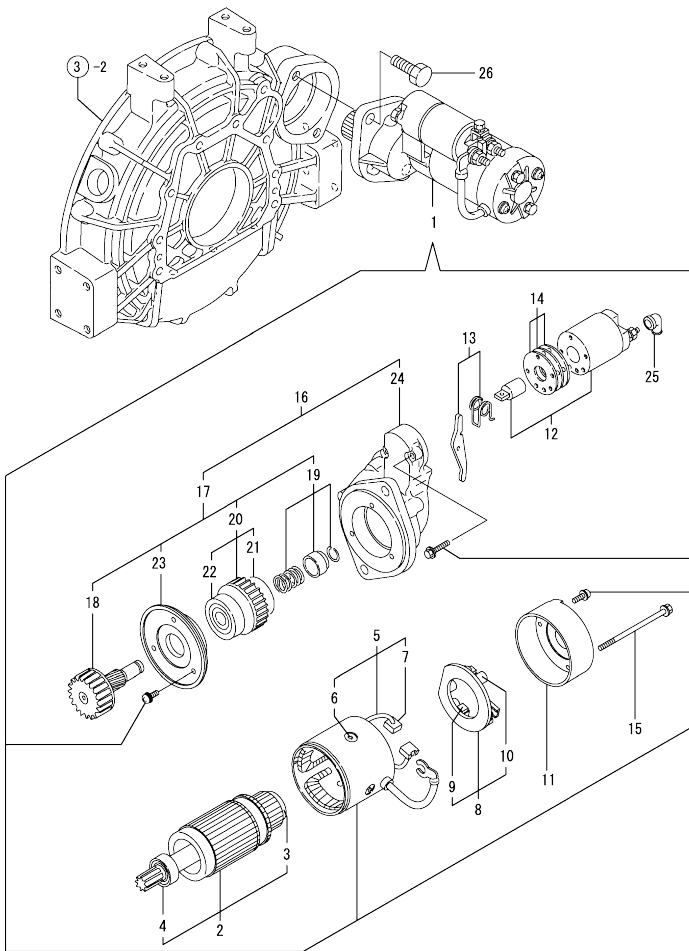
No.	Lev.	Parts No.	Description	Q'ty					
				(A)	(B)	(C)	(D)	(E)	(F)
1	1	729946-53300	FUEL INJECTOR ASSY	4					
2	2	129937-53000	NOZZLE ASSY, F.I.	4					
5	2	114250-53080	NUT, NOZZLE	4					
9	2	114250-53120	SPRING, NOZZLE	4					
10	2	114250-53130	SEAT, SPRING	4					
11	2	114250-53140	SPACER	4					
12	2	114250-53210	PIN	8					
13	2	114250-53400	SHIM SET	4					
25	1	123907-11601	SEAL, PIPE	4					
26	1	122780-59100	RETAINER	2					
27	1	119305-59120	RETAINER, PIPE	1					
30	2	129150-59131	BOLT, M4X14	1					
31	1	129550-59120	RETAINER, PIPE	1					
34	2	129150-59131	BOLT, M4X14	2					
35	1	129907-59710	SUPPORT	1					
37	1	129907-59810	PIPE ASSY, INJECTION	1					
38	1	129907-59820	PIPE ASSY, INJECTION	1					
39	1	129907-59830	PIPE ASSY, INJECTION	1					
40	1	129907-59840	PIPE ASSY, INJECTION	1					
41	1	26106-060162	BOLT, M6X 16 PLATED	2					
42	1	26106-080182	BOLT, M8X 18 PLATED	1					

Fig.12. FUEL LINE



No.	Lev.	Parts No.	Description	Q'ty					
				(A)	(B)	(C)	(D)	(E)	(F)
1	1	129004-55610	BRACKET, FILTER	1					
2	1	119802-55800	FILTER, FUEL	1					
3	1	26106-080302	BOLT, M8X 30 PLATED	2					
4	1	119773-59123	PIPE, FUEL RETURN	1					
5	1	129570-59121	PIPE, FUEL	1					
6	1	23000-016000	CLAMP, 16	4					
7	1	129907-59140	PIPE ASSY, RETURN	1					
8	1	123907-59540	BOLT, PIPE JOINT M6	5					
9	1	123907-59550	GASKET	5					
10	1	129495-59553	PIPE, FUEL	1					
11	1	23000-013000	CLAMP, 13	2					
12	1	123907-59560	JOINT, HOSE	1					
13	1	22190-080002	WASHER, SEAL 6	1					

Fig.13. STARTING MOTOR

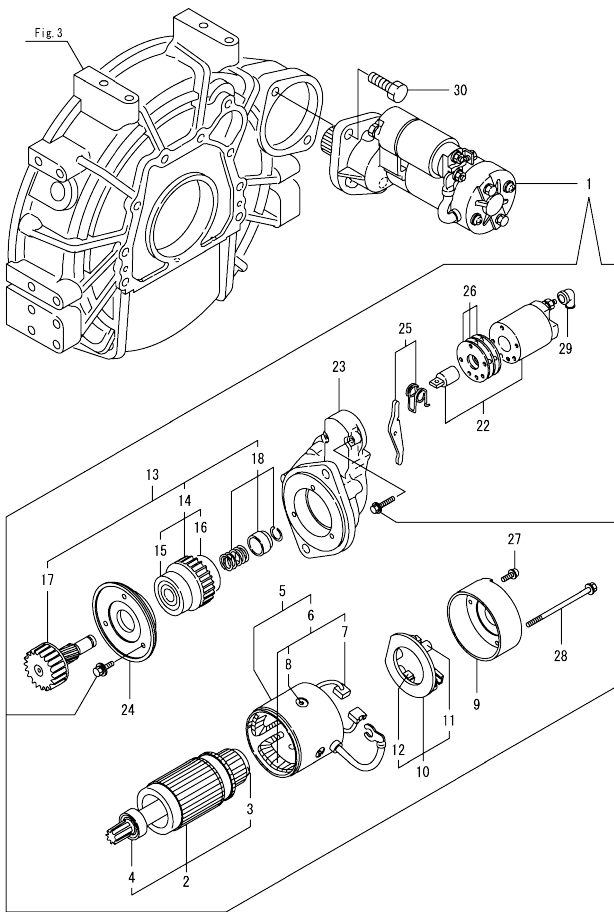


(A)=4TNV98-GGK
(B)=
(C)=

(D)=
(E)=
(F)=

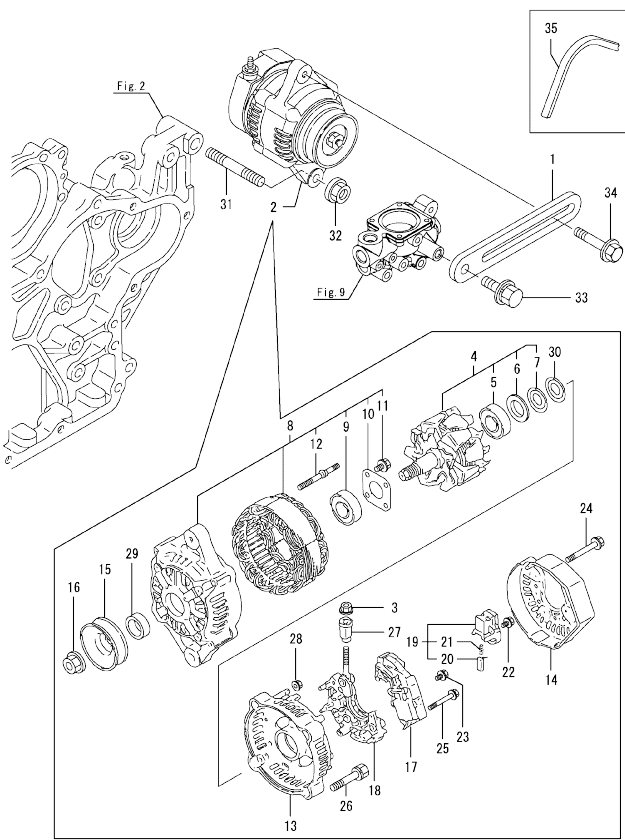
No.	Lev.	Parts No.	Description	Q'ty						I	R
				(A)	(B)	(C)	(D)	(E)	(F)		
1	1	129900-77010	STARTER ASSY	1							
2	2	129900-77400	ARMATURE ASSY	1							
3	3	X2114155110	BEARING, BALL	1							
4	3	X2114255110	BEARING, BALL	1							
5	2	129900-77440	COIL ASSY, FIELD	1							
6	3	171008-77450	SCREW, CORE SET	4							
7	3	129900-77450	BRUSH	2							
8	2	129900-77480	HOLDER ASSY, BRUSH	1							
9	3	129900-77450	BRUSH	2							
10	3	X2130631300	SPRING, BRUSH	4							
11	2	129900-77460	COVER	1							
12	2	129900-77591	SWITCH ASSY, MAGNET	1							
13	2	129900-77620	LEVER SET	1							
14	2	129900-77650	COVER KIT, DUST	1							
15	2	129900-77640	BOLT, THROUGH	2							
16	2	129900-77700	CASE ASSY, GEAR	1							
17	3	129900-77510	PINION ASSY, W/CLUTCH	1							
18	4	129900-77540	SHAFT, PINION	1							
19	4	129900-77550	STOPPER SET, PINION	1							
20	4	129900-77520	CLUTCH ASSY	1							
21	4	171008-77730	BEARING, BALL	1							
22	4	171008-77740	BEARING, BALL	1							
23	4	129900-77610	RETAINER, BEARING	1							
24	3	129900-77710	CASE, GEAR	1							
25	2	171008-77750	COVER, TERMINAL	1							
26	1	26116-120302	BOLT, M12X 30 PLATED	2							

Fig.16. (13A)STARTING MOTOR



No.	Lev.	Parts No.	Description	Q'ty					
				(A)	(B)	(C)	(D)	(E)	(F)
1	1	129900-77040	STARTER ASSY	1					
2	2	129900-77120	ARMATURE ASSY	1					
3	3	171008-77410	BEARING, BALL	1					
4	3	171008-77420	BEARING, BALL	1					
5	2	129900-77130	YOKE ASSY	1					
6	3	129900-77140	COIL ASSY, FIELD	1					
7	4	129900-77450	BRUSH	2					
8	4	171008-77450	SCREW, CORE SET	4					
9	2	129900-77150	COVER	1					
10	2	129900-77160	HOLDER ASSY, BRUSH	1					
11	3	X2130631300	SPRING, BRUSH	4					
12	3	129900-77450	BRUSH	2					
13	2	129900-77170	CLUTCH ASSY	1					
14	3	129900-77180	CLUTCH ASSY	1					
15	4	129900-77190	BEARING, BALL	1					
16	4	X2114955020	BEARING, BALL	1					
17	3	129900-77270	SHAFT, PINION	1					
18	3	171008-77670	STOPPER SET, PINION	1					
22	2	129900-77280	SWITCH ASSY, MAGNET	1					
23	2	129900-77290	CASE, GEAR	1					
24	2	129900-77380	RETAINER, BEARING	1					
25	2	129900-77390	LEVER ASSY, SHIFT	1					
26	2	129900-77420	COVER KIT, DUST	1					
27	2	129900-77430	SCREW, M4X10	2					
28	2	129685-77640	BOLT, THROUGH	2					
29	2	171008-77750	COVER, TERMINAL	1					
30	1	26116-120302	BOLT, M12X 30 PLATED	2					

Fig.14. GENERATOR

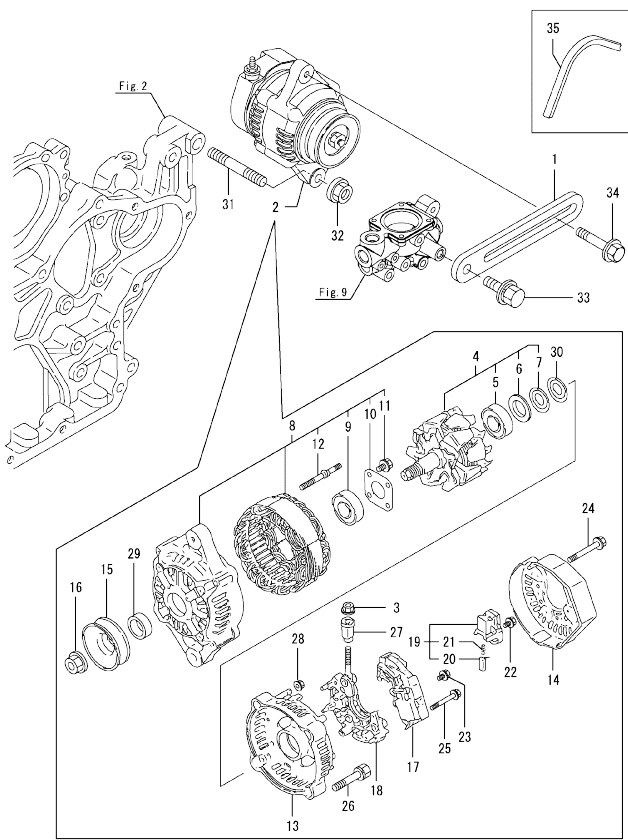


No.	Lev.	Parts No.	Description	Q'ty						I	R
				(A)	(B)	(C)	(D)	(E)	(F)		
1	1	129900-77330	ADJUSTER, BELT	1							
2	1	129423-77200 (A=*2004.05)	GENERATOR, 12V-40A	1							Z
3	2	X9490561001 (A=*2004.05)	NUT	1							Z
4	2	119620-77380 (A=*2004.05)	ROTOR ASSY	1							Z
5	3	119620-79240 (A=*2004.05)	BEARING, BALL	1							Z
6	3	119620-79250 (A=*2004.05)	COVER, BEARING	1							Z
7	3	119620-79360 (A=*2004.05)	WASHER, THRUST	1							Z
8	2	119620-77421 (A=*2004.05)	FRAME ASSY, DRIVE	1							Z
9	3	119620-79200 (A=*2004.05)	BEARING, BALL	1							Z
10	3	119620-79210 (A=*2004.05)	PLATE, RETAINER	1							Z
11	3	119620-79220 (A=*2004.05)	SCREW	4							Z
12	3	119620-79230 (A=*2004.05)	STUD	2							Z
13	2	119620-77440 (A=*2004.05)	FRAME ASSY, REAR	1							Z
14	2	129240-79300 (A=*2004.05)	COVER	1							Z
15	2	119620-77461 (A=*2004.05)	PULLEY, GENERATOR	1							Z
16	2	119620-77471 (A=*2004.05)	NUT	1							Z
17	2	129423-77710 (A=*2004.05)	REGULATOR ASSY	1							Z
18	2	119620-79260 (A=*2004.05)	HOLDER ASSY	1							Z
19	2	119620-79270 (A=*2004.05)	HOLDER ASSY, BRUSH	1							Z
20	3	119620-77480 (A=*2004.05)	BRUSH ASSY, SUB	2							Z
21	3	119620-79280 (A=*2004.05)	SPRING	2							Z
22	2	119620-79290 (A=*2004.05)	SCREW	1							Z
23	2	119620-79300 (A=*2004.05)	SCREW	1							Z
24	2	119620-79310 (A=*2004.05)	BOLT	3							Z
25	2	119620-79320 (A=*2004.05)	SCREW, WWASHER	2							Z
26	2	119620-79330 (A=*2004.05)	BOLT	2							Z

Remarks

(1) Loose parts.

Fig.14. GENERATOR



(A)=4TNV98-GGK
(B)=
(C)=

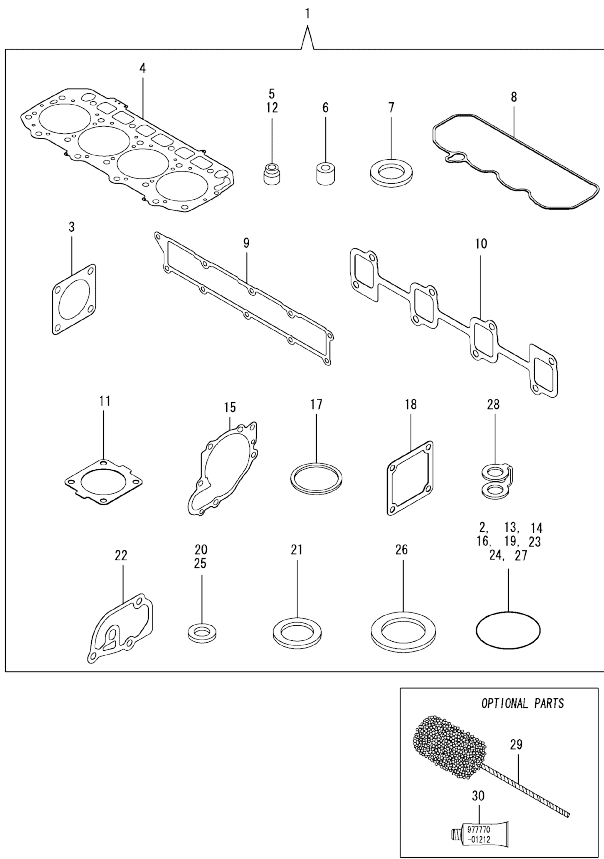
(D)=
(E)=
(F)=

No.	Lev.	Parts No.	Description	Q'ty						I	R	
				(A)	(B)	(C)	(D)	(E)	(F)			
27	2	119620-79340 (A=*2004.05)	BUSH, INSULATION	1							Z	
28	2	119620-79350 (A=*2004.05)	NUT	2							Z	
29	2	119620-77490 (A=*2004.05)	COLLAR	1							Z	
30	2	119620-79360 (A=*2004.05)	WASHER, THRUST	1							Z	
31	1	129795-01900	BOLT, M10X33	1								
32	1	26306-100002 (A=*2004.05)	NUT, M10	1							Z	
33	1	26014-080252	BOLT, M8X 25	1								
34	1	119810-77340 (A=*2004.05)	BOLT, ADJUSTER L=30	1							Z	
35	1	129052-42290 (A=*2004.05)	V-BELT, A40.5	1								W 1

Remarks
(1) Loose parts.

N:Old $\frac{100}{100}$ New, Q:Old $\frac{100}{100}$ New, R:Old $\frac{100}{100}$ New, S:Old $\frac{100}{100}$ New, W:Add, Z:Discontinued, F:Interchangeable by set, K:Q'ty Change
Copyright (C) YANMAR GLOBAL CS CO., LTD. All Rights Reserved.

Fig.15. GASKET SET



No.	Lev.	Parts No.	Description	Q'ty						I	R	
				(A)	(B)	(C)	(D)	(E)	(F)			
1	1	729907-92750	GASKET SET	1							1	
2	2	24311-00070	O-RING, 1AP7.0	1								
3	2	124240-01883	GASKET	1								
4	2	129907-01331	GASKET, HEAD	1								
5	2	124160-11340	SEAL, VALVE STEM	8								
6	2	119802-11870	PROTECTOR, NOZZLE	4								
7	2	119625-11880	SEAT, NOZZLE	4								
8	2	129907-11310	GASKET, BONNET	1								
9	2	129907-12110	GASKET, MANIFOLD	1								
10	2	129900-13251	GASKET, EXH.MANIFOLD	1								
11	2	121850-49540	GASKET, THERMOSTAT	1								
12	2	124950-11340	SEAL, VALVE STEM	8								
13	2	129900-32030	O-RING, P20	2								
14	2	129900-32040	O-RING, P14	1								
15	2	129900-42020	GASKET, WATER PUMP	1								
16	2	24341-000240	O-RING, 1AS24.0	1								
17	2	121850-49550	GASKET, THERMOSTAT	1								
18	2	121850-77021	GASKET, AIR HEATER	1								
19	2	24341-000530	O-RING, 1AS53.0	1								
20	2	23414-080000	GASKET, 8X1.0	3								
21	2	124465-44950	GASKET, 16	1								
22	2	129900-49870	GASKET, THERMOSTAT	1								
23	2	24311-000120	O-RING, 1AP12.0	8								
24	2	24311-000320	O-RING, 1AP32.0	2								
25	2	22190-080002	WASHER, SEAL 6	7								
26	2	22190-220002	WASHER, SEAL 22	1								
27	2	24351-030750	O-RING, 1A3075	1								
28	2	123907-59550	GASKET	5								
29	1	129400-92450	HONE, FLEX	1								1
30	1	977770-01212	GASKET, LIQUID	1								1

Remarks
(1) OPTIONAL PART.

N:Old $\frac{100}{100}$ New. Q:Old $\frac{100}{100}$ New. R:Old $\frac{100}{100}$ New. S:Old $\frac{100}{100}$ New. W:Add. Z:Discontinued. F:Interchangeable by set. K:Qty Change
Copyright (C) YANMAR GLOBAL CS CO., LTD. All Rights Reserved.

Parts No. Index

Parts No.	Fig. No.	Ref. No.	Parts No.	Fig. No.	Ref. No.	Parts No.	Fig. No.	Ref. No.	Parts No.	Fig. No.	Ref. No.
105582-59150	9	25	121450-42450	9	16	129052-42290	9	15	129900-32040	15	14
114250-39450	8	11	121520-34810	8	2		14	35	129900-34800	8	3
114250-53080	11	5	121850-21130	7	11	129100-01580	2	5	129900-35000	8	6
114250-53120	11	9	121850-21290	7	5		3	1	129900-42020	9	11
114250-53130	11	10	121850-21920	7	6	129150-02450	6	4		15	15
114250-53140	11	11	121850-49540	9	20	129150-11230	4	34	129900-42461	9	14
114250-53210	11	12		15	11			38	129900-49870	9	32
114250-53400	11	13	121850-49550	9	21	129150-11750	4	21		15	22
119000-01840	3	6		15	17			35	129900-77010	13	1
119000-35140	8	23	121850-49800	9	23			39	129900-77040	16	1
119305-59120	11	27	121850-77021	5	5	129150-14200	6	1	129900-77120	16	2
119593-11301	4	26		15	18	129150-25920	6	14	129900-77130	16	5
119620-11180	4	16	121850-77100	5	6	129150-35153	8	4	129900-77140	16	6
119620-49290	9	43	122780-59100	11	26	129150-59131	11	30	129900-77150	16	9
119620-77380	14	4	123900-25060	6	10			34	129900-77160	16	10
119620-77421	14	8	123907-03100	4	53	129240-79300	14	14	129900-77170	16	13
119620-77440	14	13	123907-03110	4	54	129400-92450	15	29	129900-77180	16	14
119620-77461	14	15	123907-03120	4	55	129423-77200	14	2	129900-77190	16	15
119620-77471	14	16	123907-03140	4	56	129423-77710	14	17	129900-77270	16	17
119620-77480	14	20	123907-11280	4	31	129495-59553	12	10	129900-77280	16	22
119620-77490	14	29	123907-11550	4	3	129550-59120	11	31	129900-77290	16	23
119620-79200	14	9	123907-11601	11	25	129570-59121	12	5	129900-77330	14	1
119620-79210	14	10	123907-11820	4	10	129685-77640	16	28	129900-77380	16	24
119620-79220	14	11	123907-11830	4	22	129795-01900	14	31	129900-77390	16	25
119620-79230	14	12	123907-25909	6	17	129900-01200	1	31	129900-77400	13	2
119620-79240	14	5	123907-39500	8	14	129900-01250	1	5	129900-77420	16	26
119620-79250	14	6	123907-59540	12	8	129900-01740	2	6	129900-77430	16	27
119620-79260	14	18	123907-59550	12	9	129900-01780	2	4	129900-77440	13	5
119620-79270	14	19		15	28	129900-01850	2	44	129900-77450	13	7
119620-79280	14	21	123907-59560	12	12	129900-01870	2	45			9
119620-79290	14	22	124160-01751	2	36	129900-02020	1	7		16	7
119620-79300	14	23		4	48	129900-02340	1	34			12
119620-79310	14	24	124160-11340	4	17	129900-02410	1	10	129900-77460	13	11
119620-79320	14	25		15	5	129900-02930	1	28	129900-77480	13	8
119620-79330	14	26	124160-11360	4	65	129900-02940	1	37	129900-77510	13	17
119620-79340	14	27	124240-01871	2	38	129900-13251	5	8	129900-77520	13	20
119620-79350	14	28	124240-01883	2	39		15	10	129900-77540	13	18
119620-79360	14	7		15	3	129900-14100	6	7	129900-77550	13	19
		30	124411-01780	3	7	129900-21200	7	4	129900-77591	13	12
119625-11880	4	64	124465-44950	9	17	129900-23000	7	24	129900-77610	13	23
	15	7		15	21	129900-23200	7	29	129900-77620	13	13
119640-01640	3	9	124722-59050	9	39	129900-23600	7	30	129900-77640	13	15
119640-61400	4	60			42	129900-23610	7	32	129900-77650	13	14
119773-59123	12	4	124950-11340	4	18	129900-23910	7	28	129900-77700	13	16
119802-11870	4	63		15	12	129900-25100	6	11	129900-77710	13	24
	15	6	127410-21480	7	15	129900-32001	2	10	129902-01710	3	8
119802-55800	12	2	129001-91810	2	26	129900-32030	2	23	129902-21000	7	1
119810-77340	14	34			27		8	5	129902-21580	7	12
120130-22301	7	22	129004-55610	12	1		15	13	129906-49810	9	18
121023-01550	2	41	129005-59830	8	16			2	129907-01190	1	33

Parts No. Index

Parts No.	Fig. No.	Ref. No.
129907-01331	1	32
	15	4
129907-01500	2	8
129907-01950	10	1
129907-01960	10	2
129907-03010	4	50
129907-03060	4	51
129907-03070	4	52
129907-07900	4	1
129907-11100	4	25
129907-11110	4	14
129907-11120	4	15
129907-11250	4	28
129907-11260	4	29
129907-11270	4	30
129907-11310	4	59
	15	8
129907-11320	4	49
129907-11341	4	27
129907-11510	4	19
129907-11650	4	32
129907-11660	4	36
129907-11700	4	4
129907-11800	4	9
129907-11910	4	68
129907-11920	4	40
129907-11950	4	46
129907-12110	5	2
	15	9
129907-14400	6	2
129907-14581	6	3
129907-22050	7	18
129907-22090	7	16
129907-39061	8	12
129907-42000	9	1
129907-49610	9	36
129907-49620	9	40
129907-49710	9	37
129907-49720	9	41
129907-49730	9	22
129907-49750	9	38
129907-59140	12	7
129907-59710	11	35
129907-59810	11	37
129907-59820	11	38
129907-59830	11	39
129907-59840	11	40
129908-14581	6	3 -1
129910-07900	4	69
129916-21610	7	10

Parts No.	Fig. No.	Ref. No.
129916-49740	9	28
129937-53000	11	2
129944-12110	5	1
129951-01620	3	2
129953-25300	6	16
129960-21640	7	8
129963-21650	7	9
129980-49530	9	19
158563-51150	6	18
171008-77410	16	3
171008-77420	16	4
171008-77450	13	6
	16	8
171008-77670	16	18
171008-77730	13	21
171008-77740	13	22
171008-77750	13	25
	16	29
171051-01921	1	6
22190-080002	8	17
		19
		21
	12	13
	15	25
22190-220002	3	11
	15	26
22217-180000	6	19
22252-000300	7	23
22351-060012	1	11
22512-070140	6	8
	7	7
22857-500100	4	61
		62
23000-013000	12	11
23000-016000	12	6
23387-040800	9	26
23414-080000	9	27
		33
	15	20
23857-030000	8	18
23876-010000	2	21
23876-020000	4	11
23876-030000	1	12
		13
		14
	4	12
24311-000070	2	25
	15	2
24311-000120	4	45
		66

Parts No.	Fig. No.	Ref. No.
24311-000120	15	23
24311-000320	2	37
	4	67
	15	24
24341-000240	2	42
	15	16
24341-000530	7	40
	15	19
24351-030750	2	28
	15	27
26014-080252	14	33
26106-060122	9	29
26106-060162	2	43
	11	41
26106-060202	9	30
26106-060302	9	12
26106-060552	9	31
26106-080122	3	12
	8	1
		20
		22
	9	34
26106-080142	5	7
26106-080162	2	29
		30
		40
		46
	4	2
	6	9
	10	4
26106-080182	11	42
26106-080202	2	31
26106-080222	10	5
		6
26106-080302	12	3
26106-080402	2	32
		33
	4	42
26106-080452	2	34
	5	3
26106-080552	6	15
	9	13
26106-080602	4	43
		44
	9	35
26106-080802	5	4
26106-100202	10	7
26116-120302	13	26
	16	30
26206-100352	3	5

Parts No.	Fig. No.	Ref. No.
26216-100302	2	22
26226-080222	4	41
26306-080002	4	47
26306-100002	2	35
	14	32
26776-180002	6	20
27241-300000	1	15
27241-400000	4	13
27310-070001	4	23
729900-02800	1	25
729907-01560	1	1
729907-01570	2	1
729907-22910	7	34
729907-22950	7	36
729907-92750	15	1
729946-51390	10	3
729946-53300	11	1
977770-01212	2	47
	3	13
	4	70
	15	30
X2114155110	13	3
X2114255110	13	4
X2114955020	16	16
X2130631300	13	10
	16	11
X9490561001	14	3