

0CW10-M17500EN

PREFACE

1. This parts catalog is the 1st edition of 4TNV98-GGEHC for Himoina China Ltd.

Pub.No. : 000Y00W1750

Published : July,2007

Directions for the Parts Catalog.

- The parts stipulated in this Parts Catalog are not necessarily standard equipped parts.
- Parts may change without prior notice.
- The following is an example of the Parts Catalog format.

REF.	LEV.	PARTS NO.	DESCRIPTION	Q'TY						I	R
				(A)	(B)	(C)	(D)	(E)	(F)		
1	1	729595-51390	FUEL INJECTION PUMP	1	1	1	1	1			1
1-1	1	729595-51391	FUEL INJECTION PUMP	1	1	1	1	1		N	1
		(A=E00185) (B=E00200)									
3	2	26022-060162	SCREW M 6X 16	9	9	9	9	9			
3-1	2	26022-060162	SCREW M 6X 16	4	4	4	4	4		K	
		(A=E00156) (B=E00156) (C=E00156) (D=E00156) (E=E00156)									
4	2	129470-51040	CAMSHAFT	1	1	1	1	1			
5	2	122710-51050	BEARING, ROLLER	2	2	2	2	2			
6	2	129470-51060	RETAINER	1	1	1	1	1			

Remarks
(1) BOOST COMPEMSATOR TYPE. OPTIONAL PART, TO E00155,(4JH-DT, 4JH-DTZ

① Ref. No.

The Ref. No. listed may not be in accordance with the illustration Ref. No.

(Ex.) Illustration No.

List Ref No.

1 1 (Before change) → 1-1 (After change)

For interchangeable symbols N, R and K, illustrations for new parts may be abbreviated.

② Lev. (Level)

Level indication

The numbers below indicate the level of relativity towards the main part.

1 ---- Main parts (Assembly parts)

2 ---- Sub component included in " 1 ".

3 ---- Sub component included in " 2 ".

Note) Parts that are not for sale are partially illustrated but not listed.

③ Interchangeability Mark

When a part change takes place, one of the following interchangeability symbols is indicated beside the part.

Symbol	Interchangeability	Contents note
N	Old $\begin{matrix} \leftarrow \text{Yes} \\ \text{No} \rightarrow \end{matrix}$ New	New Part is interchangeable for Old Part but Old Part is not interchangeable for New Part.
Q	Old $\begin{matrix} \leftarrow \text{No} \\ \text{Yes} \rightarrow \end{matrix}$ New	New Part is not interchangeable for Old Part but Old Part is interchangeable for New Part.
R	Old $\begin{matrix} \leftarrow \text{Yes} \\ \text{Yes} \rightarrow \end{matrix}$ New	New/ Old Parts are both interchangeable.
S	Old $\begin{matrix} \leftarrow \text{No} \\ \text{No} \rightarrow \end{matrix}$ New	New/ Old Parts are both not interchangeable.
W		Part newly added.
Z		Part discontinued.
F		Not interchangeable by a single part but interchangeable together with related parts.
K		Changes only for used parts quantities.

④ Effective Machine No.

When a part changes, the effective Machine No. will be indicated in the (A)-(F) column.

Product Symbol	Product No.	Product Symbol	Product No.
C	Clutch No. Compressor No.	F	Machine No. (Agricultural Equip.)
D	Drive No.	M	Machine No.
E	Engine No.		

Note 1) A date may follow the symbol. (Ex.) 1996.01

Note 2) "XXXXX" and "ZZZZZ" are for parts that could not be predicted or for engine models that could not be identified.

Note 3) (A=E00185) is the E (Engine Serial Number) for the column (A) model (in this case 4JH-DT) after the parts design change.

⑤ Remarks Mark

Figures or alphabets (symbols) are entered in the remarks column.

The comments (remarks) on parts that are indicated at the bottom of the illustration are the same symbols as those stated above.

Contents

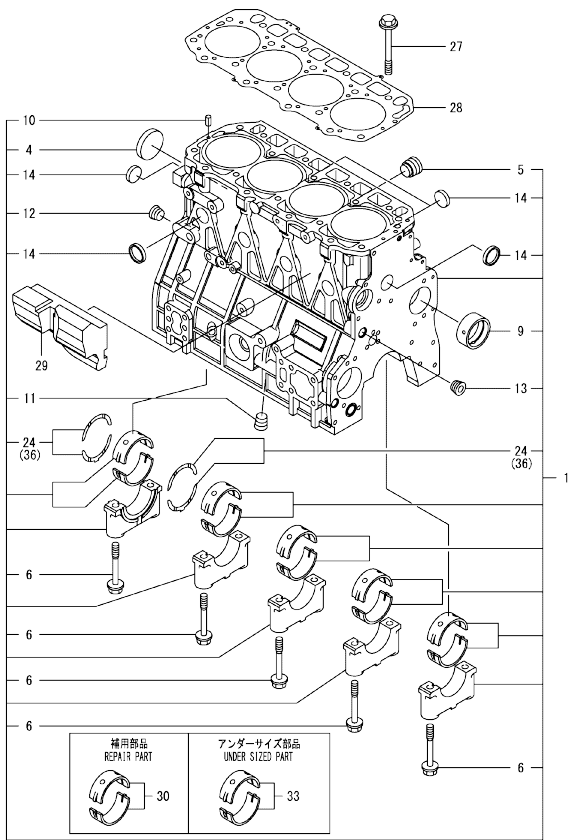
0CW10-M17500

Fig. No.	Fig. Name	Fig. No.	Fig. Name
4TNV98-GGEHC			
1.	CYLINDER BLOCK		
2.	GEAR HOUSING		
3.	FLYWHEEL HOUSING & OIL SUMP		
4.	CYLINDER HEAD & BONNET		
5.	SUCTION MANIFOLD & AIR CLEANER		
6.	EXHAUST MANIFOLD		
7.	CAMSHAFT & DRIVING GEAR		
8.	CRANKSHAFT & PISTON		
9.	LUB.OIL SYSTEM		
10.	COOLING WATER SYSTEM		
11.	FUEL INJECTION PUMP		
12.	GOVERNOR		
13.	FUEL INJECTION VALVE		
14.	FUEL LINE		
15.	STARTING MOTOR		
18.	(15A)STARTING MOTOR		
16.	GENERATOR		
17.	GASKET SET		

Fig.1. CYLINDER BLOCK

(A)=4TNV98-GGEHC
(B)=
(C)=

(D)=
(E)=
(F)=



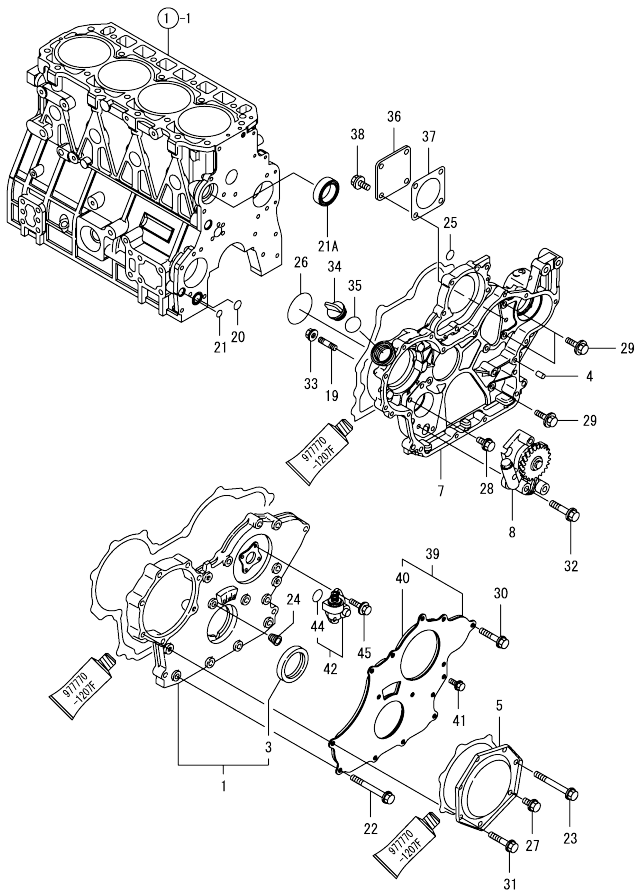
No.	Lev.	Parts No.	Description	Q'ty						I	R
				(A)	(B)	(C)	(D)	(E)	(F)		
1	1	729907-01560	BLOCK ASSY, CYLINDER	1							
4	2	129900-01250	PLUG, DISH TYPE 55	1							
5	2	171051-01921	PLUG, NPTF1	1							
6	2	129900-02020	BOLT, METAL CAP	10							
9	2	129900-02410	BUSH, CAMSHAFT	1							
10	2	22351-060012	PIN, SPRING 6.0X12	2							
11	2	23876-030000	PLUG, R03	1							
12	2	23876-030000	PLUG, R03	1							
13	2	23876-030000	PLUG, R03	1							
14	2	27241-300000	PLUG 30	8							
24	2	129900-02931	BEARING ASSY, THRUST	2							
27	1	129900-01200	BOLT, CYLINDER HEAD	18							
28	1	129907-01331	GASKET, HEAD	1							
29	1	129907-01190	SPACER	1							
30	1	729900-02801	BEARING, MAIN	5							1
33	1	129900-02341	BEARING ASSY, MAIN	5							2
36	1	129900-02941	BEARING, THRUST 0.25	2							3

Remarks

- (1) REPAIR PART.
- (2) UNDER-SIZED(U.S=0.25)PART.
- (3) OVER-SIZED(O.S=0.25)PART.

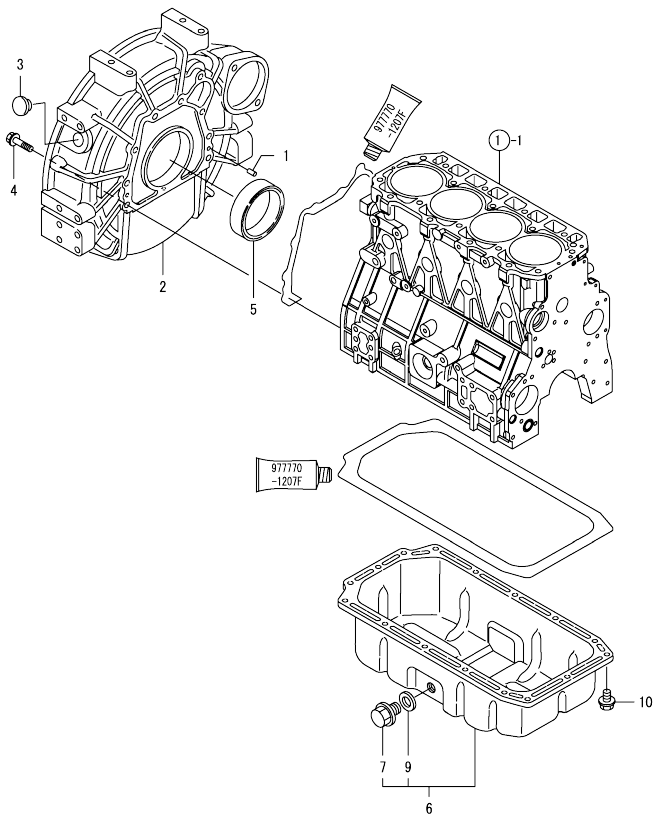
0CW10-M17500 4TNV98-GGEHC
 Fig.2. GEAR HOUSING

0CW10-M17500 Fig.2



No.	Lev.	Parts No.	Description	Qty						I	R
				(A)	(B)	(C)	(D)	(E)	(F)		
1	1	729907-01590	COVER ASSY,GEAR CASE	1							
3	2	129916-01800	SEAL, OIL	1							
4	1	129100-01580	PIN, PARALLEL 8X16	4							
5	1	129900-01740	COVER	1							
7	1	129907-01500	CASE, GEAR	1							
8	1	129900-32001	PUMP ASSY, OIL	1							
19	1	26216-100302	STUD, M10X 30	4							
20	1	129900-32030	O-RING, P20	1							
21	1	129900-32040	O-RING, P14	1							
21A	1	129927-42140	GASKET, PUMP OUTLET	1							W
(A=EU1711)											
22	1	129001-91810	BOLT, M8X70	6							
23	1	129001-91810	BOLT, M8X70	1							
24	1	23876-010000	PLUG, R01	1							
25	1	24311-000070	O-RING, 1AP7.0	1							
26	1	24351-030750	O-RING, 1A3075	1							
27	1	26106-080162	BOLT, M8X 16 PLATED	1							
28	1	26106-080162	BOLT, M8X 16 PLATED	1							
29	1	26106-080202	BOLT, M8X 20 PLATED	3							
30	1	26106-080402	BOLT, M8X 40 PLATED	5							
31	1	26106-080402	BOLT, M8X 40 PLATED	5							
32	1	26106-080452	BOLT, M8X 45 PLATED	3							
33	1	26306-100002	NUT, M10	4							
34	1	124160-01751	CAP, FILLER	1							
35	1	24311-000320	O-RING, 1AP32.0	1							
36	1	124240-01871	COVER, PUMP	1							
37	1	124240-01883	GASKET	1							
38	1	26106-080162	BOLT, M8X 16 PLATED	4							
39	1	129900-01850	COVER ASSY,GEAR CASE	1							
40	2	129900-01870	SPONGE, GEAR CASE	1							
41	1	26106-080162	BOLT, M8X 16 PLATED	3							
42	1	129150-91400	GEAR	1							
44	2	24341-000240	O-RING, 1AS24.0	1							
45	1	26106-060162	BOLT, M6X 16 PLATED	2							

Fig.3. FLYWHEEL HOUSING & OIL SUMP

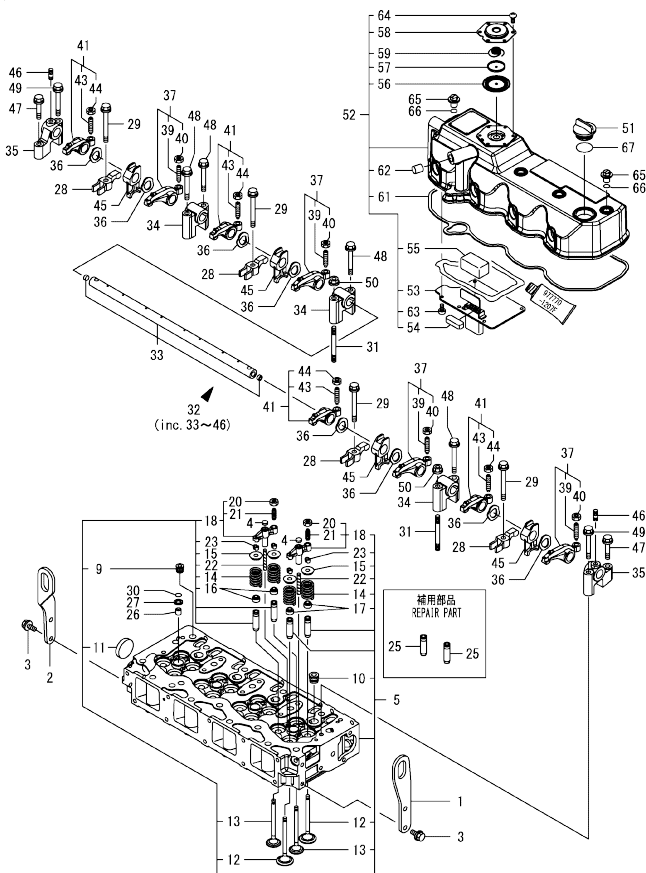


(A)=4TNV98-GGEHC
(B)=
(C)=

(D)=
(E)=
(F)=

No.	Lev.	Parts No.	Description	Q'ty						I	R
				(A)	(B)	(C)	(D)	(E)	(F)		
1	1	129100-01580	PIN, PARALLEL 8X16	2							
2	1	129915-01610	HOUSING, FLYWHEEL	1							
3	1	119000-01840	PLUG, RUBBER	1							
4	1	26206-100352	BOLT, M10X 35 PLATED	9							
5	1	129916-01790	SEAL, D115/95XT11	1							
6	1	129982-01710	OIL PAN ASSY	1							
7	2	119640-01640	PLUG, DRAIN M22	1							
9	2	22190-220002	WASHER, SEAL 22	1							
10	1	26106-080122	BOLT, M8X 12 PLATED	16							

Fig.4. CYLINDER HEAD & BONNET



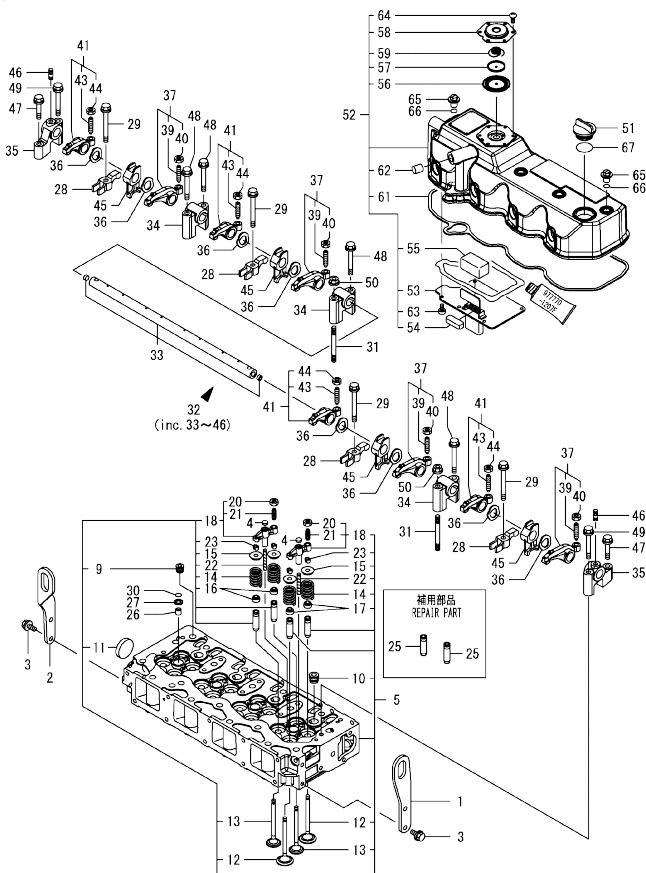
(A)=4TNV98-GGEHC
(B)=
(C)=

(D)=
(E)=
(F)=

No.	Lev.	Parts No.	Description	Q'ty						I	R
				(A)	(B)	(C)	(D)	(E)	(F)		
1	1	129907-07900	LIFTER, ENGINE	1							
2	1	129910-07900	LIFTER, ENGINE	1							
3	1	26106-080162	BOLT, M8X 16 PLATED	4							
4	1	123907-11550	SEAT, VALVE BRIDGE	8							
5	1	129907-11700	HEAD ASSY, CYLINDER	1							
9	2	23876-020000	PLUG, R02	1							
10	2	23876-030000	PLUG, R03	4							
11	2	27241-400000	PLUG, 40	1							
12	2	129907-11100	VALVE, SUCTION	8							
13	2	129907-11110	VALVE, EXHAUST	8							
14	2	129907-11120	SPRING, VALVE	16							
15	2	119620-11180	RETAINER, SPRING	16							
16	2	119803-11340	SEAL, VALVE STEM	8							
17	2	124160-11340	SEAL, VALVE STEM	8							
18	2	129907-11510	BRIDGE ASSY, VALVE	8							
20	3	129150-11750	NUT, M8	8							
21	3	123907-11830	ADJUSTER	8							
22	2	123907-11820	GUIDE, BRIDGE	8							
23	2	27310-070001	COTTER, 7	16							
25	1	129907-11800	GUIDE, VALVE	16							1
26	1	119802-11870	PROTECTOR, NOZZLE	4							
27	1	119625-11880	SEAT, NOZZLE	4							
28	1	129907-11910	RETAINER, NOZZLE	4							
29	1	129907-11950	BOLT, M8X75	4							
30	1	24311-000120	O-RING, 1AP12.0	4							
31	1	119593-11301	BOLT, STUD M8X80	2							
32	1	129907-11341	SHAFT ASSY, ROCKER	1							
33	2	129907-11250	SHAFT, ROCKER ARM	1							
34	2	129907-11260	SUPPORT, ROCKER ARM	3							
35	2	129907-11270	SUPPORT, ROCKER ARM	2							
36	2	123907-11280	WASHER	8							
37	2	129907-11650	ARM ASSY, ROCKER	4							
39	3	129150-11230	SCREW, VALVE ADJUST	4							
40	3	129150-11750	NUT, M8	4							
41	2	129907-11660	ARM ASSY, ROCKER	4							
43	3	129150-11230	SCREW, VALVE ADJUST	4							
44	3	129150-11750	NUT, M8	4							
45	2	129907-11920	RETAINER, NOZZLE	4							
46	2	26226-080222	STUD, M8X 22	2							
47	1	26106-080402	BOLT, M8X 40 PLATED	2							
48	1	26106-080602	BOLT, M8X 60 PLATED	4							
49	1	26106-080602	BOLT, M8X 60 PLATED	2							
50	1	26306-080002	NUT, M8	2							
51	1	124160-01751	CAP, FILLER	1							
52	1	129907-11321	BONNET ASSY, HEAD	1							
53	2	129907-03011	PLATE, BAFFLE	1							
54	2	129907-03061	BAFFLE, BREATHER	1							
55	2	129907-03070	BAFFLE, BREATHER	1							
56	2	123907-03100	DIAPHRAGM	1							
57	2	123907-03110	PLATE	1							
58	2	123907-03120	PLATE, BREATHER	1							

Remarks
(1) REPAIR PART.

Fig.4. CYLINDER HEAD & BONNET



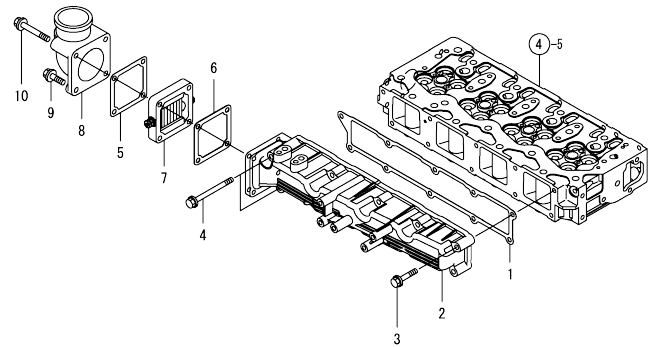
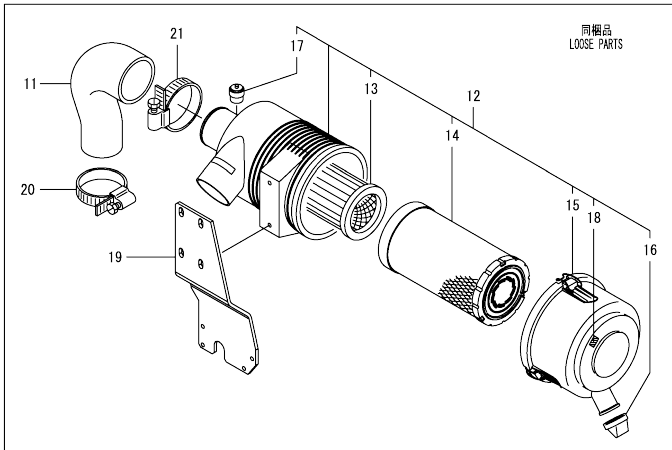
(A)=4TNV98-GGEHC
(B)=
(C)=

(D)=
(E)=
(F)=

No.	Lev.	Parts No.	Description	Q'ty					
				(A)	(B)	(C)	(D)	(E)	(F)
59	2	123907-03140	SPRING, DIAPHRAGM	1					
61	2	129933-11310	GASKET, BONNET	1					
62	2	119640-61400	PLUG	1					
63	2	22857-500100	SCREW, 5X10	6					
64	2	22857-500100	SCREW, 5X10	6					
65	1	124160-11360	KNOB	4					
66	1	24311-000120	O-RING, 1AP12.0	4					
67	1	24311-000320	O-RING, 1AP32.0	1					

Remarks
(1) REPAIR PART.

Fig.5. SUCTION MANIFOLD & AIR CLEANER

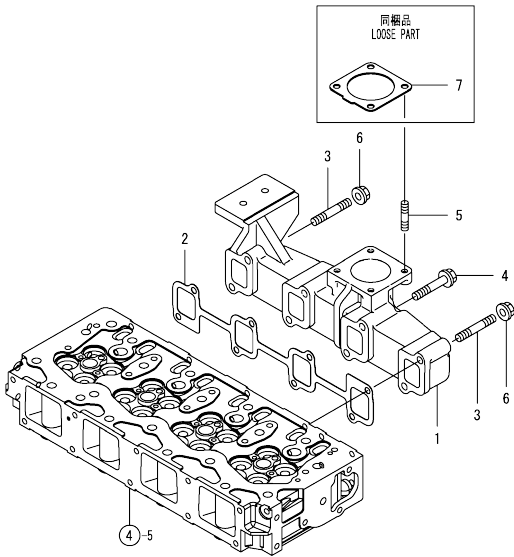


(A)=4TNV98-GGEHC
(B)=
(C)=

(D)=
(E)=
(F)=

No.	Lev.	Parts No.	Description	Q'ty						I	R
				(A)	(B)	(C)	(D)	(E)	(F)		
1	1	129907-12110	GASKET, MANIFOLD	1							
2	1	129944-12110	MANIFOLD, AIR INTAKE	1							
3	1	26106-080452	BOLT, M8X 45 PLATED	8							
4	1	26106-080802	BOLT, M8X 80 PLATED	2							
5	1	119129-77020	GASKET	1							
6	1	121850-77021	GASKET, AIR HEATER	1							
7	1	119005-77050	HEATER, AIR	1							
8	1	119129-77520	BEND	1							
9	1	26106-080402	BOLT, M8X 40 PLATED	2							
10	1	26106-080902	BOLT, M8X 90 PLATED	2							
11	1	129944-12230	PIPE, AIR INTAKE	1							
12	1	129937-12500	CLEANER ASSY, AIR	1							
13	2	119160-12570	ELEMENT, INNER	1							
14	2	129935-12520	ELEMENT, OUTER	1							
15	2	119160-12530	COVER ASSY	1							
16	2	119160-12540	VALVE	1							
17	2	126650-12680	INDICATOR	1							
18	2	129612-12650	LABEL, MARKING	1							
19	1	129944-12620	BRACKET, CLEANER	1							
20	1	23000-080000	CLAMP, 80	1							
21	1	23000-090000	CLAMP, 90	1							

Fig.6. EXHAUST MANIFOLD

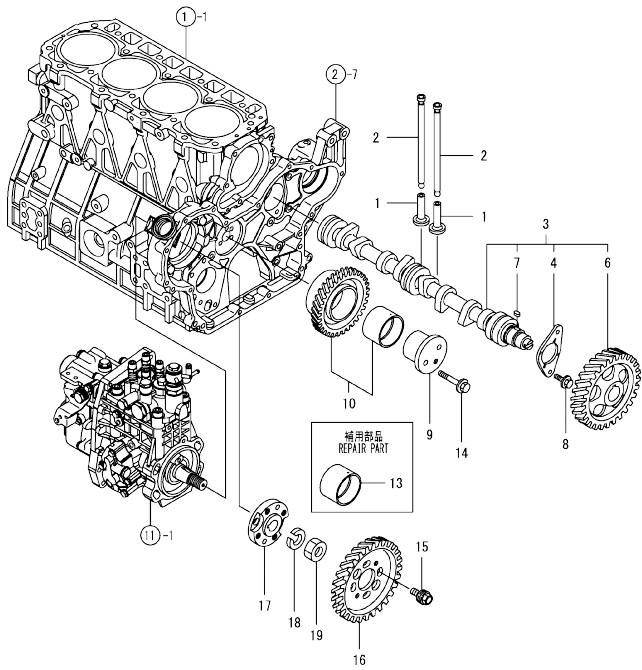


(A)=4TNV98-GGEHC
(B)=
(C)=

(D)=
(E)=
(F)=

No.	Lev.	Parts No.	Description	Q'ty						I	R
				(A)	(B)	(C)	(D)	(E)	(F)		
1	1	129907-13200	MANIFOLD, EXHAUST	1							
2	1	129900-13251	GASKET, EXH.MANIFOLD	1							
3	1	123900-13610	BOLT, STUD M8X80	2							
4	1	123900-13630	BOLT, M8X80	6							
5	1	119131-18320	BOLT, STUD M8X22	4							
6	1	26306-080002	NUT, M8	2							
7	1	129930-13201	GASKET, SILENCER	1							

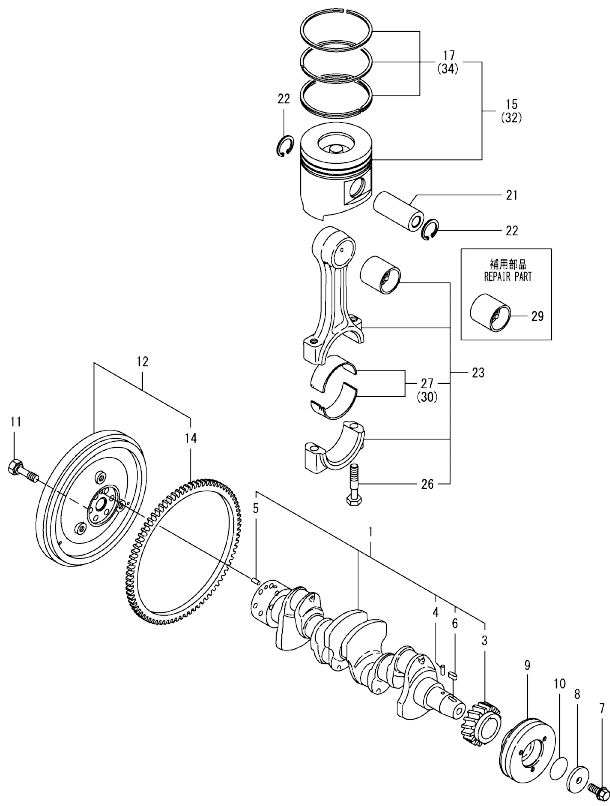
Fig.7. CAMSHAFT & DRIVING GEAR



No.	Lev.	Parts No.	Description	Q'ty						I	R
				(A)	(B)	(C)	(D)	(E)	(F)		
1	1	129150-14200	TAPPET	8							
2	1	129907-14400	PUSH-ROD	8							
3	1	129907-14581	CAMSHAFT ASSY	1							
3-1	1	129908-14581	CAMSHAFT ASSY	1							N
4	2	129150-02450	BEARING, THRUST	1							
6	2	129900-14100	GEAR, CAMSHAFT	1							
7	2	22512-070140	KEY, 7X 14	1							
8	1	26106-080162	BOLT, M8X 16 PLATED	2							
9	1	123900-25060	SHAFT, IDLE GEAR	1							
10	1	129900-25100	GEAR ASSY, IDLE	1							
13	1	129150-25920	BUSH, IDLE GEAR	1							1
14	1	26106-080552	BOLT, M8X 55 PLATED	3							
15	1	129953-25300	BOLT	4							
16	1	129907-25900	GEAR, PUMP	1							
17	1	158563-51150	FLANGE	1							
18	1	22217-180000	WASHER, SPRING 18	1							
19	1	26776-180002	NUT, LOCK M18	1							

Remarks
(1) REPAIR PART.

Fig.8. CRANKSHAFT & PISTON



(A)=4TNV98-GGEHC
(B)=
(C)=

(D)=
(E)=
(F)=

No.	Lev.	Parts No.	Description	Q'ty						I	R
				(A)	(B)	(C)	(D)	(E)	(F)		
1	1	129902-21000	CRANKSHAFT ASSY	1							
3	2	129900-21200	GEAR, CRANKSHAFT	1							
4	2	121850-21290	PIN	1							
5	2	121850-21920	PIN, PARALLEL 10X22	1							
6	2	22512-070140	KEY, 7X 14	1							
7	1	129916-21610	BOLT	1							
8	1	129960-21640	WASHER	1							
9	1	129907-21650	V-PULLEY, CRANK 130	1							
10	1	24341-000530	O-RING, 1AS53.0	1							
11	1	121850-21130	BOLT, FLYWHEEL	6							
12	1	129920-21580	FLYWHEEL ASSY	1							
14	2	127410-21480	GEAR, RING Z=129	1							
15	1	129907-22090	PISTON ASSY, 18.5	4							
17	2	129907-22050	RING SET, PISTON	4							
21	1	120130-22301	PIN, PISTON	4							
22	1	22252-000300	RING, 30	8							
23	1	129900-23001	ROD ASSY, CONNECTING	4							
26	2	129900-23200	BOLT, CONNECTING ROD	8							
27	2	129900-23601	BEARING, CRANK PIN	4							
29	1	129900-23911	BEARING, PISTON PIN	4							1
30	1	129900-23611	BEARING ASSY, 0.25US	4							2
32	1	729907-22910	PISTON ASSY, 0.25 OS	4							3
34	2	729907-22950	RING SET, 0.25 OS	4							3

Remarks
(1) REPAIR PART.
(2) UNDER-SIZED(U.S=0.25)PART.
(3) OVER-SIZED(O.S=0.25)PART.

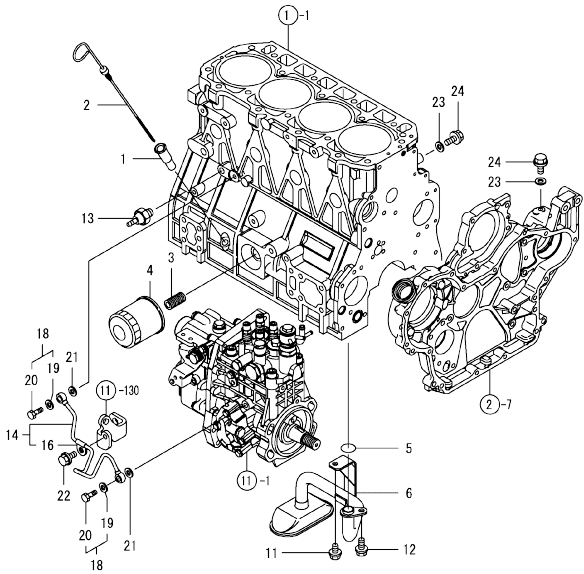
0CW10-M17500 4TNV98-GGEHC
 Fig.9. LUB.OIL SYSTEM

0CW10-M17500 Fig.9

(A)=4TNV98-GGEHC
 (B)=
 (C)=

(D)=
 (E)=
 (F)=

No.	Lev.	Parts No.	Description	Q'ty						I	R
				(A)	(B)	(C)	(D)	(E)	(F)		
1	1	121520-34810	GUIDE, DIPSTICK	1							
2	1	129953-34830	DIPSTICK	1							
3	1	119000-35140	BOLT, STUD FILTER	1							
4	1	119005-35170	FILTER, D80X100	1							
5	1	129900-32030	O-RING, P20	1							
6	1	129953-35000	PIPE ASSY, OIL INLET	1							
11	1	26106-080122	BOLT, M8X 12 PLATED	1							
12	1	26106-080162	BOLT, M8X 16 PLATED	1							
13	1	114250-39450	SWITCH, HYDRAULIC	1							
14	1	129907-39061	PIPE ASSY, OIL	1							
16	2	123907-39500	RETAINER, PIPE	1							
18	1	129005-59830	BOLT ASSY, JOINT M8	2							
19	2	22190-080002	WASHER, SEAL 6	2							
20	2	23857-030000	BOLT, JOINT 3	2							
21	1	22190-080002	WASHER, SEAL 6	2							
22	1	26106-080122	BOLT, M8X 12 PLATED	1							
23	1	22190-080002	WASHER, SEAL 6	2							
24	1	26106-080122	BOLT, M8X 12 PLATED	2							



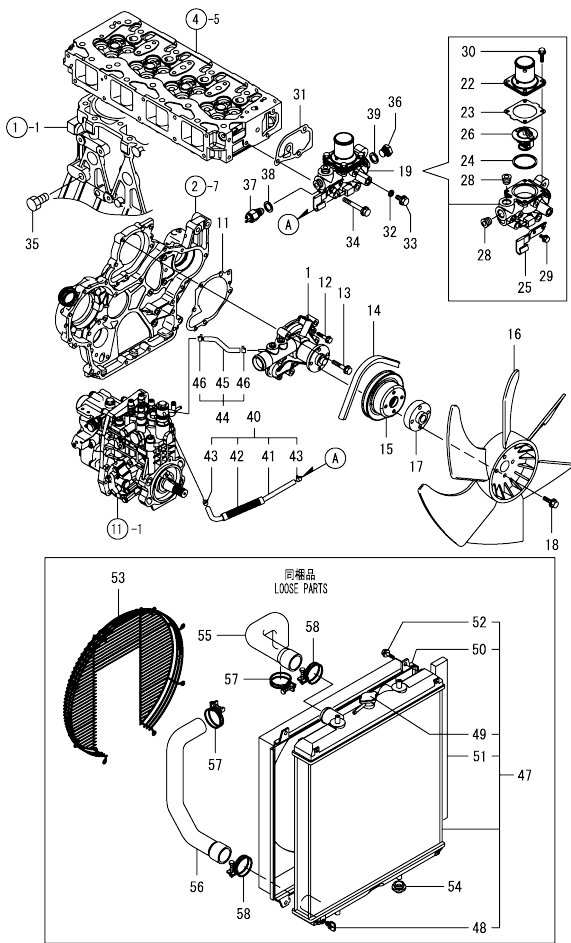
Remarks
 (1) REPAIR PART.

N:Old $\frac{100}{100}$ New, Q:Old $\frac{100}{100}$ New, R:Old $\frac{100}{100}$ New, S:Old $\frac{100}{100}$ New, W:Add, Z:Discontinued, F:Interchangeable by set, K:Q'ty Change
 Copyright (C) YANMAR GLOBAL CS CO., LTD. All Rights Reserved.

Fig.10. COOLING WATER SYSTEM

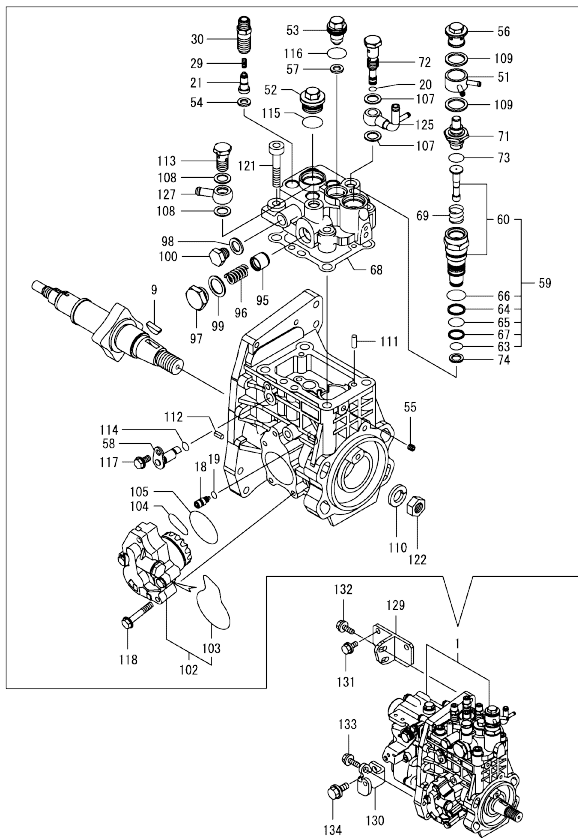
(A)=4TNV98-GGEHC
(B)=
(C)=

(D)=
(E)=
(F)=



No.	Lev.	Parts No.	Description	Q'ty						I	R
				(A)	(B)	(C)	(D)	(E)	(F)		
1	1	129907-42000	PUMP ASSY, WATER	1							
11	1	129900-42020	GASKET, WATER PUMP	1							
12	1	26106-060302	BOLT, M6X 30 PLATED	2							
13	1	26106-080552	BOLT, M8X 55 PLATED	5							
14	1	129052-42290	V-BELT, A40.5	1							
15	1	129900-42461	V-PULLEY, C.W.PUMP	1							
16	1	129916-44740	FAN, COOLING D=430	1							
17	1	119130-44760	SPACER, FAN	1							
18	1	26106-080302	BOLT, M8X 30 PLATED	4							
19	1	129907-49800	CASE ASSY,THERMOSTAT	1							
22	2	129916-49530	COVER, THERMOSTAT	1							
23	2	121850-49540	GASKET, THERMOSTAT	1							
24	2	121850-49550	GASKET, THERMOSTAT	1							
25	2	129907-49730	RETAINER, PIPE	1							
26	2	121850-49810	THERMOSTAT, 71C	1							
28	2	23875-030000	PLUG, R03	2							
29	2	26106-060122	BOLT, M6X 12 PLATED	1							
30	2	26106-060202	BOLT, M6X 20 PLATED	4							
31	1	129900-49870	GASKET, THERMOSTAT	1							
32	1	23414-080000	GASKET, 8X1.0	1							
33	1	26106-080122	BOLT, M8X 12 PLATED	1							
34	1	26106-080602	BOLT, M8X 60 PLATED	3							
35	1	171056-49120	PLUG, DRAIN R1/4	1							
36	1	121450-42450	PLUG, M16	1							
37	1	121250-44901	SWITCH, THERMO 110	1							
38	1	124465-44950	GASKET, 16	1							
39	1	124465-44950	GASKET, 16	1							
40	1	129907-49610	HOSE ASSY, WATER	1							
41	2	129907-49710	HOSE, WATER	1							
42	2	129907-49750	TUBE, CORRUGATED	1							
43	2	124722-59050	CLAMP, HOSE 9	2							
44	1	129907-49620	HOSE ASSY, WATER	1							
45	2	129907-49720	HOSE, WATER	1							
46	2	124722-59050	CLAMP, HOSE 9	2							
47	1	129940-44500	RADIATOR ASSY	1							
48	2	129508-44550	COCK ASSY	1							
49	2	129107-44590	CAP, RADIATOR	1							
50	2	129907-44600	SHROUD	1							
51	2	129907-44610	GASKET	2							
52	2	26014-060122	BOLT, M6X 12	4							
53	1	129907-44560	GUARD, FAN	1							
54	1	119255-44660	ABSORBER	2							
55	1	129981-49050	HOSE, WATER	1							
56	1	129981-49062	HOSE, WATER	1							
57	1	23010-050000	CLAMP, 50	2							
58	1	23010-060000	CLAMP, 60	2							

Fig.11. FUEL INJECTION PUMP



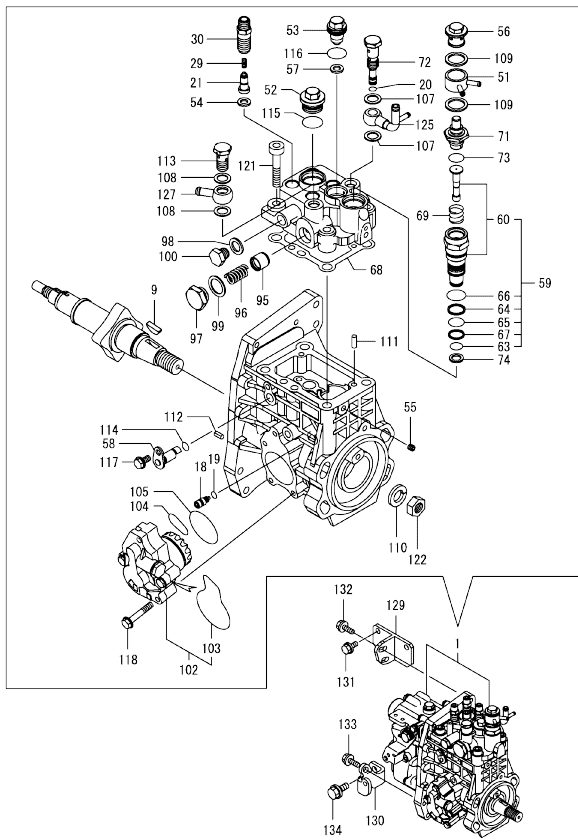
(A)=4TNV98-GGEHC
(B)=
(C)=

(D)=
(E)=
(F)=

No.	Lev.	Parts No.	Description	Q'ty						I	R	
				(A)	(B)	(C)	(D)	(E)	(F)			
1	1	729946-51390	FIE ASSY	1							1	
9	2	144626-51090	FEATHER KEY, 5X19	1								
18	2	158600-51270	STOPPER, TAPPET	1								
19	2	158563-51281	O-RING, 4D S6	1								
20	2	158563-51281	O-RING, 4D S6	1								
21	2	158560-51300	VALVE ASSY, DELIVERY	4								
29	2	158563-51330	SPRING, DELIVERY	4								
30	2	129907-51340	HOLDER, DELIVERY	4								
51	2	158553-51551	JOINT, COOLING WATER	1								
52	2	158601-51550	PLUG, M22	1								
53	2	129907-51560	PLUG, M16	1								
54	2	158552-51570	GASKET, PLUG	4								
55	2	158557-51570	PLUG, RACK	1								
56	2	158601-51570	PLUG	1								
57	2	129906-51580	GASKET, PLUG	1								
58	2	158552-51580	LIFTER, LINK	1								
59	2	119802-51590	TIMER ASSY	1								
60	3	119802-51600	TIMER ASSY	1								
63	3	158553-51670	O-RING	1								
64	3	119802-51680	RING, BACKUP	1								
65	3	119802-51690	O-RING	1								
66	3	24356-010200	O-RING, 4D1020	1								
67	3	24372-000150	RING, BACK UP T2P15	1								
68	2	158560-51600	GASKET	1								
69	2	158553-51630	SPRING, TIMER	1								
71	2	158553-51640	THERMOELEMENT	1								
72	2	158601-51650	JOINT, OVER FLOW	1								
73	2	158553-51660	O-RING, P14	1								
74	2	158553-51680	GASKET, TIMER	1								
95	2	158601-51770	PISTON, ACCUMULATOR	1								
96	2	158552-51781	SPRING, ACCUMULATOR	1								
97	2	158601-51790	PLUG	1								
98	2	22190-120002	WASHER, SEAL 12	1								
99	2	22190-180002	WASHER, SEAL 18	1								
100	2	23887-120002	PLUG, 12	1								
102	2	158552-52100	PUMP ASSY, FUEL FEED	1								
103	3	158552-52500	O-RING	1								
104	2	158552-52310	O-RING	1								
105	2	158552-52400	O-RING, 4E S42	1								
107	2	22190-120002	WASHER, SEAL 12	2								
108	2	22190-120002	WASHER, SEAL 12	2								
109	2	22190-180002	WASHER, SEAL 18	2								
110	2	22217-180000	WASHER, SPRING 18	1								
111	2	22312-050140	PIN, PARALLEL M5X14	2								
112	2	22351-050010	PIN, SPRING 5.0X10	2								
113	2	23857-060000	BOLT, JOINT 6	1								
114	2	24311-000070	O-RING, 1AP7.0	1								
115	2	24356-010200	O-RING, 4D1020	1								
116	2	24356-020210	O-RING, 4D2021	1								
117	2	26106-060102	BOLT, M6X 10 PLATED	1								
118	2	26106-060352	BOLT, M6X 35 PLATED	4								

Remarks
(1) GOVERNOR ASSY(FIG.12) IS INCORPORATED IN THIS FUEL INJECTION PUMP.(REF.NO.1).

Fig.11. FUEL INJECTION PUMP



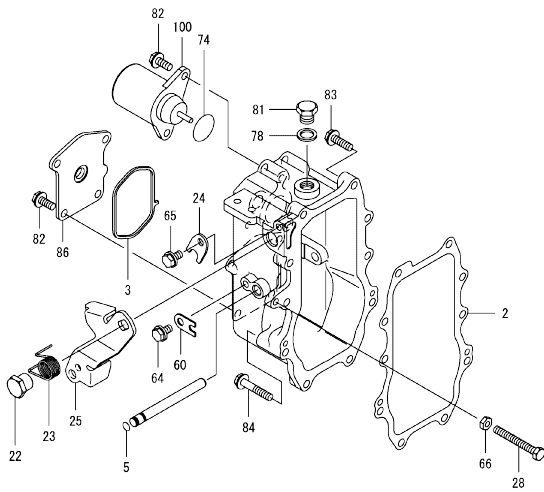
(A)=4TNV98-GGEHC
(B)=
(C)=

(D)=
(E)=
(F)=

No.	Lev.	Parts No.	Description	Q'ty						I	R
				(A)	(B)	(C)	(D)	(E)	(F)		
121	2	26450-100452	BOLT, M10X 45	4							
122	2	26776-180002	NUT, LOCK M18	1							
125	2	158552-51670	JOINT, OVER FLOW	1							
127	2	129916-59020	JOINT, PIPE 12	1							
129	1	129907-01950	RETAINER, PUMP	1							
130	1	129907-01960	RETAINER, PUMP	1							
131	1	26106-080162	BOLT, M8X 16 PLATED	2							
132	1	26106-080222	BOLT, M8X 22 PLATED	2							
133	1	26106-080222	BOLT, M8X 22 PLATED	1							
134	1	26106-100202	BOLT, M10X 20 PLATED	1							

Remarks
(1) GOVERNOR ASSY(FIG.12) IS
INCORPORATED IN THIS FUEL
INJECTION PUMP.(REF.NO.1).

Fig.12. GOVERNOR



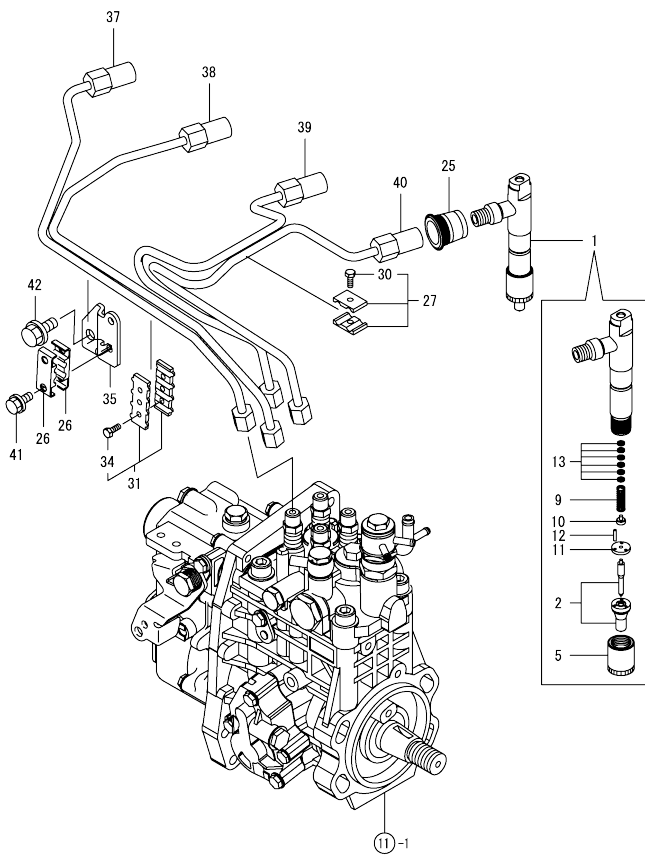
(A)=4TNV98-GGEHC
(B)=
(C)=

(D)=
(E)=
(F)=

No.	Lev.	Parts No.	Description	Q'ty						I	R
				(A)	(B)	(C)	(D)	(E)	(F)		
2	2	158560-61050	GASKET	1							
3	2	158560-61071	GASKET	1							
5	2	129155-51280	O-RING, S6	1							
22	2	129255-61410	NUT, M8	1							
23	2	119807-61420	SPRING, RETURN	1							
24	2	158560-61430	STOPPER, SHAFT	1							
25	2	129937-61440	LEVER, REGULATOR	1							
28	2	129155-61460	BOLT, LIMITING	1							
60	2	119660-61901	STOPPER, SHAFT	1							
64	2	26106-060102	BOLT, M6X 10 PLATED	1							
65	2	26106-060102	BOLT, M6X 10 PLATED	1							
66	2	26756-060002	NUT, LOCK M6	1							
74	2	158552-61900	O-RING	1							
78	2	22190-160002	WASHER, SEAL 16	1							
81	2	23887-160002	PLUG, 16	1							
82	2	26106-060142	BOLT, M6X 14 PLATED	6							
83	2	26106-060252	BOLT, M6X 25 PLATED	8							
84	2	26106-060402	BOLT, M6X 40 PLATED	2							
86	2	129946-61061	COVER, GOVERNOR CASE	1							
100	2	119653-77950	SOLENOID, STOP	1							

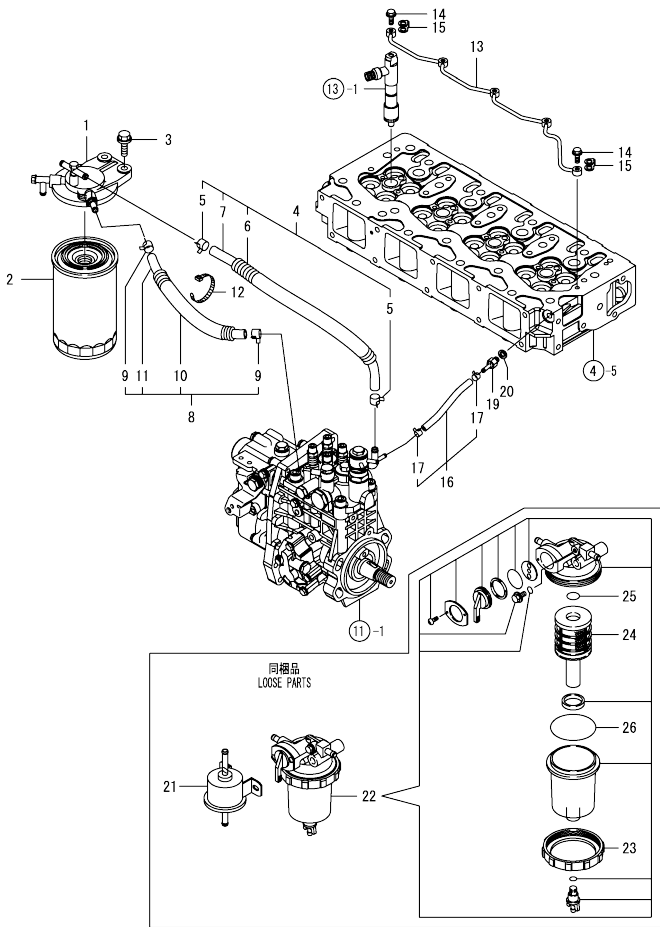
Remarks
* THIS FIGURE(GOVERNOR ASSY)IS
INCORPORATED IN THE FUEL INJECTION
PUMP ASSY(FIG.11).

Fig.13. FUEL INJECTION VALVE



No.	Lev.	Parts No.	Description	Q'ty						I	R
				(A)	(B)	(C)	(D)	(E)	(F)		
1	1	729946-53300	FUEL INJECTOR ASSY	4							
2	2	129937-53000	NOZZLE ASSY, F.I.	4							
5	2	114250-53080	NUT, NOZZLE	4							
9	2	114250-53120	SPRING, NOZZLE	4							
10	2	114250-53130	SEAT, SPRING	4							
11	2	114250-53140	SPACER	4							
12	2	114250-53210	PIN	8							
13	2	114250-53400	SHIM SET	4							
25	1	123907-11601	SEAL, PIPE	4							
26	1	122780-59100	RETAINER	2							
27	1	119305-59120	RETAINER, PIPE	1							
30	2	129150-59131	BOLT, M4X14	1							
31	1	129550-59120	RETAINER, PIPE	1							
34	2	129150-59131	BOLT, M4X14	2							
35	1	129907-59710	SUPPORT	1							
37	1	129907-59810	PIPE ASSY, INJECTION	1							
38	1	129907-59820	PIPE ASSY, INJECTION	1							
39	1	129907-59830	PIPE ASSY, INJECTION	1							
40	1	129907-59840	PIPE ASSY, INJECTION	1							
41	1	26106-060162	BOLT, M6X 16 PLATED	2							
42	1	26106-080182	BOLT, M8X 18 PLATED	1							

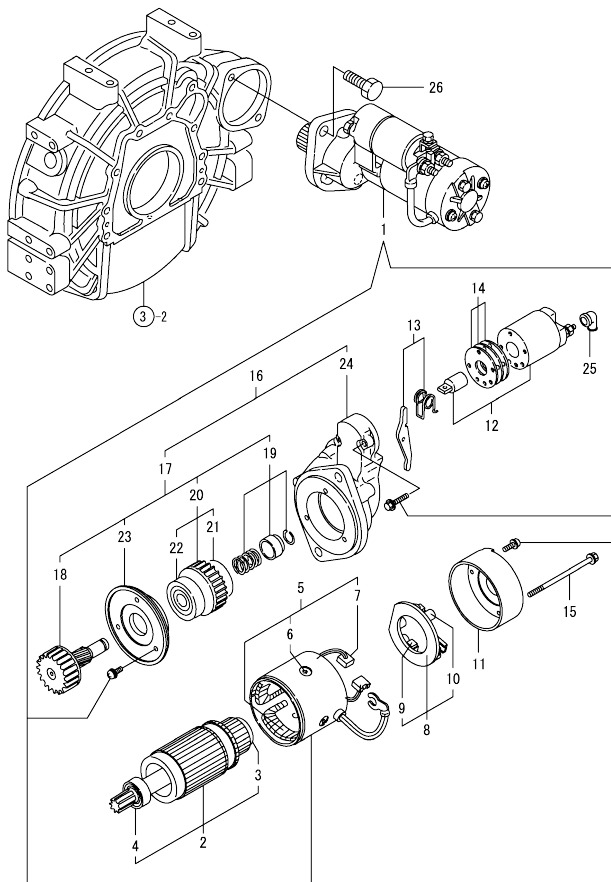
Fig.14. FUEL LINE



No.	Lev.	Parts No.	Description	Q'ty						I	R
				(A)	(B)	(C)	(D)	(E)	(F)		
1	1	129004-55612	BRACKET, FILTER	1							
2	1	129907-55810	FILTER, FUEL	1							
3	1	26106-080302	BOLT, M8X 30 PLATED	2							
4	1	129457-59010	HOSE ASSY, FUEL	1							
5	2	124766-59050	CLAMP, HOSE 11.5	2							
6	2	129957-59120	TUBE, CORRUGATED 15	1							
7	2	105025-59750	HOSE, FUEL	1							
8	1	129981-59010	HOSE ASSY, FUEL	1							
9	2	124766-59050	CLAMP, HOSE 11.5	2							
10	2	129950-59221	TUBE, CORRUGATED 15	1							
11	2	129980-59510	HOSE, FUEL	1							
12	1	121750-59890	BAND, NYLON	1							
13	1	129907-59140	PIPE ASSY, RETURN	1							
14	1	123907-59540	BOLT, PIPE JOINT M6	5							
15	1	123907-59550	GASKET	5							
16	1	129486-59551	HOSE ASSY, RETURN	1							
17	2	124722-59050	CLAMP, HOSE 9	2							
19	1	123907-59560	JOINT, HOSE	1							
20	1	22190-080002	WASHER, SEAL 6	1							
21	1	119225-52102	PUMP, FUEL FEED	1							
22	1	119802-55700	SEPARATOR ASSY, WATER	1							
23	2	129100-55690	RING, CUP RETAINING	1							
24	2	119802-55710	ELEMENT	1							
25	2	24311-000160	O-RING, 1AP16.0	1							
26	2	24321-000650	O-RING, 1AG65.0	1							

N:Old $\frac{New}{Old}$ New, Q:Old $\frac{New}{Old}$ New, R:Old $\frac{New}{Old}$ New, S:Old $\frac{New}{Old}$ New, W:Add, Z:Discontinued, F:Interchangeable by set, K:Q'ty Change
 Copyright (C) YANMAR GLOBAL CS CO., LTD. All Rights Reserved.

Fig.15. STARTING MOTOR

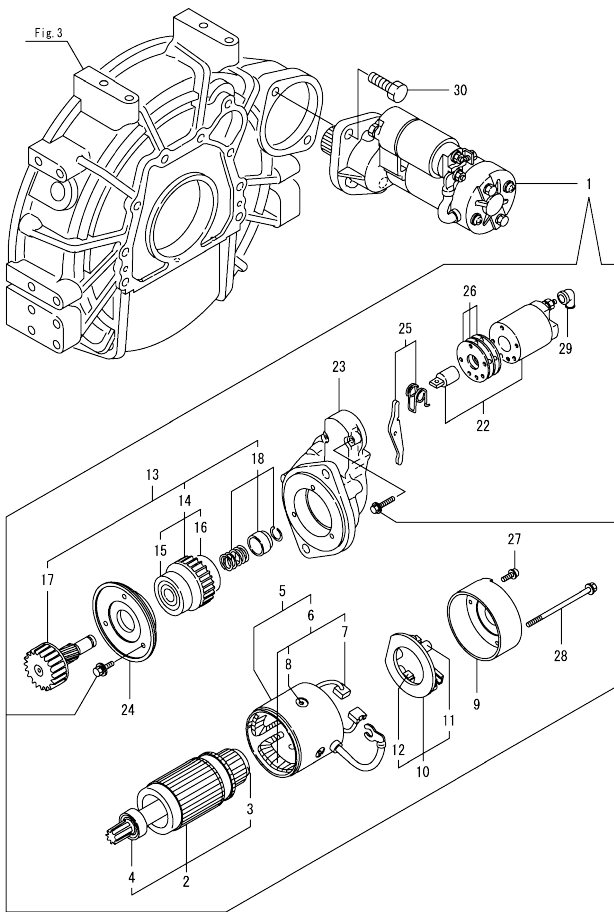


(A)=4TNV98-GGEHC
(B)=
(C)=

(D)=
(E)=
(F)=

No.	Lev.	Parts No.	Description	Q'ty						I	R
				(A)	(B)	(C)	(D)	(E)	(F)		
1	1	129900-77010	STARTER ASSY	1							
2	2	129900-77400	ARMATURE ASSY	1							
3	3	X2114155110	BEARING, BALL	1							
4	3	X2114255110	BEARING, BALL	1							
5	2	129900-77440	COIL ASSY, FIELD	1							
6	3	171008-77450	SCREW, CORE SET	4							
7	3	129900-77450	BRUSH	2							
8	2	129900-77480	HOLDER ASSY, BRUSH	1							
9	3	129900-77450	BRUSH	2							
10	3	X2130631300	SPRING, BRUSH	4							
11	2	129900-77460	COVER	1							
12	2	129900-77591	SWITCH ASSY, MAGNET	1							
13	2	129900-77620	LEVER SET	1							
14	2	129900-77650	COVER KIT, DUST	1							
15	2	129900-77640	BOLT, THROUGH	2							
16	2	129900-77700	CASE ASSY, GEAR	1							
17	3	129900-77510	PINION ASSY, W/CLUTCH	1							
18	4	129900-77540	SHAFT, PINION	1							
19	4	129900-77550	STOPPER SET, PINION	1							
20	4	129900-77520	CLUTCH ASSY	1							
21	4	171008-77730	BEARING, BALL	1							
22	4	171008-77740	BEARING, BALL	1							
23	4	129900-77610	RETAINER, BEARING	1							
24	3	129900-77710	CASE, GEAR	1							
25	2	171008-77750	COVER, TERMINAL	1							
26	1	26116-120302	BOLT, M12X 30 PLATED	2							

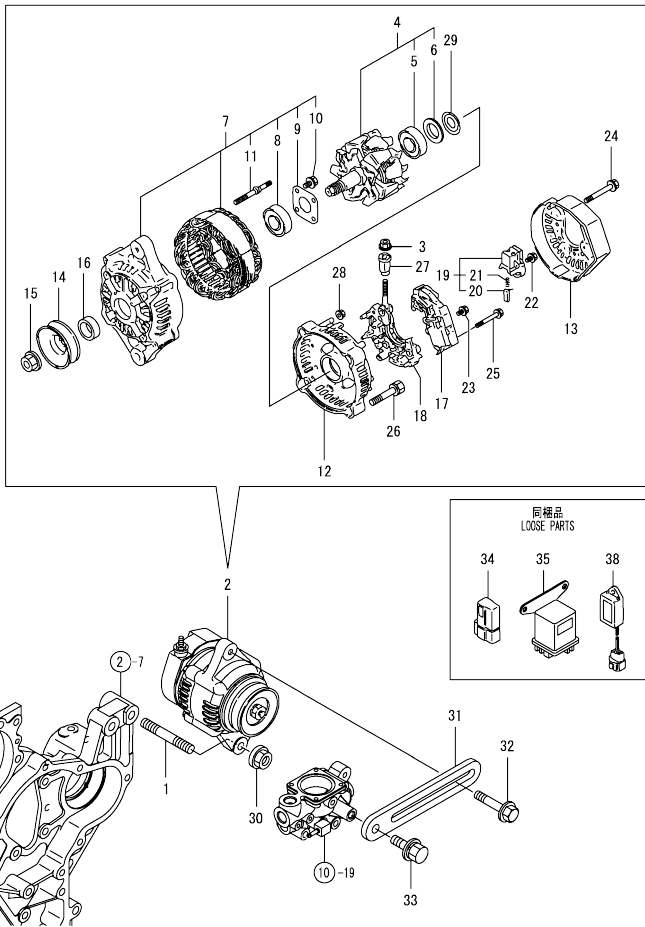
Fig.18. (15A)STARTING MOTOR



No.	Lev.	Parts No.	Description	Q'ty						I	R
				(A)	(B)	(C)	(D)	(E)	(F)		
1	1	129900-77040	STARTER ASSY	1							
2	2	129900-77120	ARMATURE ASSY	1							
3	3	171008-77410	BEARING, BALL	1							
4	3	171008-77420	BEARING, BALL	1							
5	2	129900-77130	YOKE ASSY	1							
6	3	129900-77140	COIL ASSY, FIELD	1							
7	4	129900-77450	BRUSH	2							
8	4	171008-77450	SCREW, CORE SET	4							
9	2	129900-77150	COVER	1							
10	2	129900-77160	HOLDER ASSY, BRUSH	1							
11	3	X2130631300	SPRING, BRUSH	4							
12	3	129900-77450	BRUSH	2							
13	2	129900-77170	CLUTCH ASSY	1							
14	3	129900-77180	CLUTCH ASSY	1							
15	4	129900-77190	BEARING, BALL	1							
16	4	X2114955020	BEARING, BALL	1							
17	3	129900-77270	SHAFT, PINION	1							
18	3	171008-77670	STOPPER SET, PINION	1							
22	2	129900-77280	SWITCH ASSY, MAGNET	1							
23	2	129900-77290	CASE, GEAR	1							
24	2	129900-77380	RETAINER, BEARING	1							
25	2	129900-77390	LEVER ASSY, SHIFT	1							
26	2	129900-77420	COVER KIT, DUST	1							
27	2	129900-77430	SCREW, M4X10	2							
28	2	129685-77640	BOLT, THROUGH	2							
29	2	171008-77750	COVER, TERMINAL	1							
30	1	26116-120302	BOLT, M12X 30 PLATED	2							

OCW10-M17500 4TNV98-GGEHC
 Fig.16. GENERATOR

OCW10-M17500 Fig.16



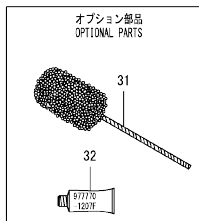
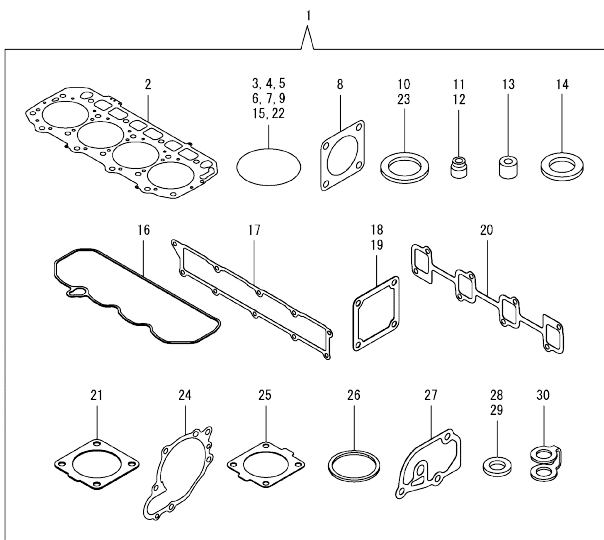
(A)=4TNV98-GGEHC
 (B)=
 (C)=

(D)=
 (E)=
 (F)=

No.	Lev.	Parts No.	Description	Q'ty						I	R
				(A)	(B)	(C)	(D)	(E)	(F)		
1	1	129795-01900	BOLT, STUD M10X33	1							
2	1	129423-77200	GENERATOR ASSY, 40A	1							
3	2	X9490561001	NUT	1							
4	2	119620-77380	ROTOR ASSY	1							
5	3	123501-79240	BEARING, BALL	1							
6	3	119620-79250	COVER, BEARING	1							
7	2	119620-77421	FRAME ASSY,GENERATOR	1							
8	3	119620-79200	BEARING, BALL	1							
9	3	119620-79210	RETAINER	1							
10	3	119620-79220	SCREW	4							
11	3	119620-79230	BOLT, STUD	2							
12	2	119620-77440	FRAME ASSY	1							
13	2	129240-79300	COVER	1							
14	2	119620-77461	PULLEY, GENERATOR	1							
15	2	119620-77471	NUT	1							
16	2	119620-77490	COLLAR	1							
17	2	129423-77710	REGULATOR ASSY	1							
18	2	119620-79260	HOLDER	1							
19	2	129052-79270	HOLDER, BRUSH	1							
20	3	119620-77480	BRUSH	2							
21	3	119620-79280	SPRING	2							
22	2	119620-79290	SCREW	6							
23	2	119620-79300	SCREW	1							
24	2	119620-79310	BOLT	3							
25	2	119620-79320	SCREW	2							
26	2	119620-79330	BOLT	2							
27	2	119620-79340	BUSH, INSULATION	1							
28	2	119620-79350	NUT	2							
29	2	119620-79360	WASHER, THRUST	1							
30	1	26306-100002	NUT, M10	1							
31	1	129900-77330	ADJUSTER, BELT	1							
32	1	119810-77340	BOLT, ADJUST L=30	1							
33	1	26014-080252	BOLT, M8X 25	1							
34	1	119643-66900	DIODE	1							
35	1	119650-77910	RELAY ASSY, GLOW	1							
38	1	129211-77920	TIMER	1							

N:Old $\frac{100}{100}$ New, Q:Old $\frac{100}{100}$ New, R:Old $\frac{100}{100}$ New, S:Old $\frac{100}{100}$ New, W:Add, Z:Discontinued, F:Interchangeable by set, K:Q'ty Change
 Copyright (C) YANMAR GLOBAL CS CO., LTD. All Rights Reserved.

Fig.17. GASKET SET



Remarks
(1) OPTIONAL PART.

(A)=4TNV98-GGEHC
(B)=
(C)=

(D)=
(E)=
(F)=

No.	Lev.	Parts No.	Description	Qty						I	R	
				(A)	(B)	(C)	(D)	(E)	(F)			
1	1	729946-92640	GASKET SET	1							1	
2	2	129907-01331	GASKET, HEAD	1								
3	2	129900-32030	O-RING, P20	2								
4	2	129900-32040	O-RING, P14	1								
5	2	24311-000070	O-RING, 1AP7.0	1								
6	2	24351-030750	O-RING, 1A3075	1								
7	2	24311-000320	O-RING, 1AP32.0	2								
8	2	124240-01883	GASKET	1								
9	2	24341-000240	O-RING, 1AS24.0	1								
10	2	22190-220002	WASHER, SEAL 22	1								
11	2	119803-11340	SEAL, VALVE STEM	8								
12	2	124160-11340	SEAL, VALVE STEM	8								
13	2	119802-11870	PROTECTOR, NOZZLE	4								
14	2	119625-11880	SEAT, NOZZLE	4								
15	2	24311-000120	O-RING, 1AP12.0	8								
16	2	129933-11310	GASKET, BONNET	1								
17	2	129907-12110	GASKET, MANIFOLD	1								
18	2	119129-77020	GASKET	1								
19	2	121850-77021	GASKET, AIR HEATER	1								
20	2	129900-13251	GASKET, EXH.MANIFOLD	1								
21	2	129930-13201	GASKET, SILENCER	1								
22	2	24341-000530	O-RING, 1AS53.0	1								
23	2	22190-080002	WASHER, SEAL 6	7								
24	2	129900-42020	GASKET, WATER PUMP	1								
25	2	121850-49540	GASKET, THERMOSTAT	1								
26	2	121850-49550	GASKET, THERMOSTAT	1								
27	2	129900-49870	GASKET, THERMOSTAT	1								
28	2	23414-080000	GASKET, 8X1.0	1								
29	2	124465-44950	GASKET, 16	2								
30	2	123907-59550	GASKET	5								
31	1	129400-92450	HONE, FLEX	1								1
32	1	977770-1207F	GASKET.LIQUID	1								1

Parts No. Index

Parts No.	Fig. No.	Ref. No.
105025-59750	14	7
114250-39450	9	13
114250-53080	13	5
114250-53120	13	9
114250-53130	13	10
114250-53140	13	11
114250-53210	13	12
114250-53400	13	13
119000-01840	3	3
119000-35140	9	3
119005-35170	9	4
119005-77050	5	7
119129-77020	5	5
	17	18
119129-77520	5	8
119130-44760	10	17
119131-18320	6	5
119160-12530	5	15
119160-12540	5	16
119160-12570	5	13
119225-52102	14	21
119255-44660	10	54
119305-59120	13	27
119593-11301	4	31
119620-11180	4	15
119620-77380	16	4
119620-77421	16	7
119620-77440	16	12
119620-77461	16	14
119620-77471	16	15
119620-77480	16	20
119620-77490	16	16
119620-79200	16	8
119620-79210	16	9
119620-79220	16	10
119620-79230	16	11
119620-79250	16	6
119620-79260	16	18
119620-79280	16	21
119620-79290	16	22
119620-79300	16	23
119620-79310	16	24
119620-79320	16	25
119620-79330	16	26
119620-79340	16	27
119620-79350	16	28
119620-79360	16	29
119625-11880	4	27
	17	14
119640-01640	3	7

Parts No.	Fig. No.	Ref. No.
119640-61400	4	62
119643-66900	16	34
119650-77910	16	35
119653-77950	12	100
119660-61901	12	60
119802-11870	4	26
	17	13
119802-51590	11	59
119802-51600	11	60
119802-51680	11	64
119802-51690	11	65
119802-55700	14	22
119802-55710	14	24
119803-11340	4	16
	17	11
119807-61420	12	23
119810-77340	16	32
120130-22301	8	21
121250-44901	10	37
121450-42450	10	36
121520-34810	9	1
121750-59890	14	12
121850-21130	8	11
121850-21290	8	4
121850-21920	8	5
121850-49540	10	23
	17	25
121850-49550	10	24
	17	26
121850-49810	10	26
121850-77021	5	6
	17	19
122780-59100	13	26
123501-79240	16	5
123900-13610	6	3
123900-13630	6	4
123900-25060	7	9
123907-03100	4	56
123907-03110	4	57
123907-03120	4	58
123907-03140	4	59
123907-11280	4	36
123907-11550	4	4
123907-11601	13	25
123907-11820	4	22
123907-11830	4	21
123907-39500	9	16
123907-59540	14	14
123907-59550	14	15
	17	30

Parts No.	Fig. No.	Ref. No.
123907-59560	14	19
124160-01751	2	34
	4	51
124160-11340	4	17
	17	12
124160-11360	4	65
124240-01871	2	36
124240-01883	2	37
	17	8
124465-44950	10	38
	39	39
	17	29
124722-59050	10	43
	46	46
	14	17
124766-59050	14	5
	9	9
126650-12680	5	17
127410-21480	8	14
129001-91810	2	22
	23	23
129004-55612	14	1
129005-59830	9	18
129052-42290	10	14
129052-79270	16	19
129100-01580	2	4
	3	1
129100-55690	14	23
129107-44590	10	49
129150-02450	7	4
129150-11230	4	39
	43	43
129150-11750	4	20
	40	40
	44	44
129150-14200	7	1
129150-25920	7	13
129150-59131	13	30
	34	34
129150-91400	2	42
129155-51280	12	5
129155-61460	12	28
129211-77920	16	38
129240-79300	16	13
129255-61410	12	22
129400-92450	17	31
129423-77200	16	2
129423-77710	16	17
129457-59010	14	4
129486-59551	14	16

Parts No.	Fig. No.	Ref. No.
129508-44550	10	48
129550-59120	13	31
129612-12650	5	18
129685-77640	18	28
129795-01900	16	1
129900-01200	1	27
129900-01250	1	4
129900-01740	2	5
129900-01850	2	39
129900-01870	2	40
129900-02020	1	6
129900-02341	1	33
129900-02410	1	9
129900-02931	1	24
129900-02941	1	36
129900-13251	6	2
	17	20
129900-14100	7	6
129900-21200	8	3
129900-23001	8	23
129900-23200	8	26
129900-23601	8	27
129900-23611	8	30
129900-23911	8	29
129900-25100	7	10
129900-32001	2	8
129900-32030	2	20
	9	5
	17	3
129900-32040	2	21
	17	4
129900-42020	10	11
	17	24
129900-42461	10	15
129900-49870	10	31
	17	27
129900-77010	15	1
129900-77040	18	1
129900-77120	18	2
129900-77130	18	5
129900-77140	18	6
129900-77150	18	9
129900-77160	18	10
129900-77170	18	13
129900-77180	18	14
129900-77190	18	15
129900-77270	18	17
129900-77280	18	22
129900-77290	18	23
129900-77330	16	31

Parts No. Index

Parts No.	Fig. No.	Ref. No.
129900-77380	18	24
129900-77390	18	25
129900-77400	15	2
129900-77420	18	26
129900-77430	18	27
129900-77440	15	5
129900-77450	15	7
		9
	18	7
		12
129900-77460	15	11
129900-77480	15	8
129900-77510	15	17
129900-77520	15	20
129900-77540	15	18
129900-77550	15	19
129900-77591	15	12
129900-77610	15	23
129900-77620	15	13
129900-77640	15	15
129900-77650	15	14
129900-77700	15	16
129900-77710	15	24
129902-21000	8	1
129906-51580	11	57
129907-01190	1	29
129907-01331	1	28
	17	2
129907-01500	2	7
129907-01950	11	129
129907-01960	11	130
129907-03011	4	53
129907-03061	4	54
129907-03070	4	55
129907-07900	4	1
129907-11100	4	12
129907-11110	4	13
129907-11120	4	14
129907-11250	4	33
129907-11260	4	34
129907-11270	4	35
129907-11321	4	52
129907-11341	4	32
129907-11510	4	18
129907-11650	4	37
129907-11660	4	41
129907-11700	4	5
129907-11800	4	25
129907-11910	4	28
129907-11920	4	45

Parts No.	Fig. No.	Ref. No.
129907-11950	4	29
129907-12110	5	1
	17	17
129907-13200	6	1
129907-14400	7	2
129907-14581	7	3
129907-21650	8	9
129907-22050	8	17
129907-22090	8	15
129907-25900	7	16
129907-39061	9	14
129907-42000	10	1
129907-44560	10	53
129907-44600	10	50
129907-44610	10	51
129907-49610	10	40
129907-49620	10	44
129907-49710	10	41
129907-49720	10	45
129907-49730	10	25
129907-49750	10	42
129907-49800	10	19
129907-51340	11	30
129907-51560	11	53
129907-55810	14	2
129907-59140	14	13
129907-59710	13	35
129907-59810	13	37
129907-59820	13	38
129907-59830	13	39
129907-59840	13	40
129908-14581	7	3 -1
129910-07900	4	2
129915-01610	3	2
129916-01790	3	5
129916-01800	2	3
129916-21610	8	7
129916-44740	10	16
129916-49530	10	22
129916-59020	11	127
129920-21580	8	12
129927-42140	2	21 A
129930-13201	6	7
	17	21
129933-11310	4	61
	17	16
129935-12520	5	14
129937-12500	5	12
129937-53000	13	2
129937-61440	12	25

Parts No.	Fig. No.	Ref. No.
129940-44500	10	47
129944-12110	5	2
129944-12230	5	11
129944-12620	5	19
129946-61061	12	86
129950-59221	14	10
129953-25300	7	15
129953-34830	9	2
129953-35000	9	6
129957-59120	14	6
129960-21640	8	8
129980-59510	14	11
129981-49050	10	55
129981-49062	10	56
129981-59010	14	8
129982-01710	3	6
144626-51090	11	9
158552-51570	11	54
158552-51580	11	58
158552-51670	11	125
158552-51781	11	96
158552-52100	11	102
158552-52310	11	104
158552-52400	11	105
158552-52500	11	103
158552-61900	12	74
158553-51551	11	51
158553-51630	11	69
158553-51640	11	71
158553-51660	11	73
158553-51670	11	63
158553-51680	11	74
158557-51570	11	55
158560-51300	11	21
158560-51600	11	68
158560-61050	12	2
158560-61071	12	3
158560-61430	12	24
158563-51150	7	17
158563-51281	11	19
		20
158563-51330	11	29
158600-51270	11	18
158601-51550	11	52
158601-51570	11	56
158601-51650	11	72
158601-51770	11	95
158601-51790	11	97
171008-77410	18	3
171008-77420	18	4

Parts No.	Fig. No.	Ref. No.
171008-77450	15	6
	18	8
171008-77670	18	18
171008-77730	15	21
171008-77740	15	22
171008-77750	15	25
	18	29
171051-01921	1	5
171056-49120	10	35
22190-080002	9	19
		21
		23
	14	20
	17	23
22190-120002	11	98
		107
		108
22190-160002	12	78
22190-180002	11	99
		109
22190-220002	3	9
	17	10
22217-180000	7	18
	11	110
22252-000300	8	22
22312-050140	11	111
22351-050010	11	112
22351-060012	1	10
22512-070140	7	7
	8	6
22857-500100	4	63
		64
23000-080000	5	20
23000-090000	5	21
23010-050000	10	57
23010-060000	10	58
23414-080000	10	32
	17	28
23857-030000	9	20
23857-060000	11	113
23875-030000	10	28
23876-010000	2	24
23876-020000	4	9
23876-030000	1	11
		12
		13
	4	10
23887-120002	11	100
23887-160002	12	81
24311-000070	2	25

Parts No. Index

Parts No.	Fig. No.	Ref. No.
24311-000070	11	114
	17	5
24311-000120	4	30
		66
	17	15
24311-000160	14	25
24311-000320	2	35
	4	67
	17	7
24321-000650	14	26
24341-000240	2	44
	17	9
24341-000530	8	10
	17	22
24351-030750	2	26
	17	6
24356-010200	11	66
		115
24356-020210	11	116
24372-000150	11	67
26014-060122	10	52
26014-080252	16	33
26106-060102	11	117
	12	64
		65
26106-060122	10	29
26106-060142	12	82
26106-060162	2	45
	13	41
26106-060202	10	30
26106-060252	12	83
26106-060302	10	12
26106-060352	11	118
26106-060402	12	84
26106-080122	3	10
	9	11
		22
		24
	10	33
26106-080162	2	27
		28
		38
		41
	4	3
	7	8
	9	12
	11	131
26106-080182	13	42
26106-080202	2	29
26106-080222	11	132

Parts No.	Fig. No.	Ref. No.
26106-080222	11	133
26106-080302	10	18
	14	3
26106-080402	2	30
		31
	4	47
	5	9
26106-080452	2	32
	5	3
26106-080552	7	14
	10	13
26106-080602	4	48
		49
	10	34
26106-080802	5	4
26106-080902	5	10
26106-100202	11	134
26116-120302	15	26
	18	30
26206-100352	3	4
26216-100302	2	19
26226-080222	4	46
26306-080002	4	50
	6	6
26306-100002	2	33
	16	30
26450-100452	11	121
26756-060002	12	66
26776-180002	7	19
	11	122
27241-300000	1	14
27241-400000	4	11
27310-070001	4	23
729900-02801	1	30
729907-01560	1	1
729907-01590	2	1
729907-22910	8	32
729907-22950	8	34
729946-51390	11	1
729946-53300	13	1
729946-92640	17	1
977770-1207F	17	32
X2114155110	15	3
X2114255110	15	4
X2114955020	18	16
X2130631300	15	10
	18	11
X9490561001	16	3

Parts No.	Fig. No.	Ref. No.
-----------	----------	----------

Parts No.	Fig. No.	Ref. No.
-----------	----------	----------