

OCR10-M65201EN

P R E F A C E

1. This Parts Catalog carries all parts incorporated in YANMAR Model 4TNV98-GGEP, 4TNV98-IGEP engine manufactured since January, 2012.
2. Each illustration corresponds to the parts list on the following page.
3. When ordering parts, clearly write down the engine model and serial number, as well as the name and number of each part in your order sheet. This will help insure reliable delivery of the parts you have ordered.

Directions for the Parts Catalog.

1. This Parts Catalog shows both standard and optional parts.
2. Parts may change without prior notice.
3. The following is an example of the Parts Catalog format.

REF.	LEV.	PARTS NO.	DESCRIPTION	Q'TY						I	R
				(A)	(B)	(C)	(D)	(E)	(F)		
1	1	729595-51390	FUEL INJECTION PUMP	1	1	1	1	1			1
1-1	1	729595-51391	FUEL INJECTION PUMP	1	1	1	1	1		N	1
		(A=E00185) (B=E00200)									
3	2	26022-060162	SCREW M 6X 16	9	9	9	9	9			
3-1	2	26022-060162	SCREW M 6X 16	4	4	4	4	4		K	
		(A=E00156) (B=E00156) (C=E00156) (D=E00156) (E=E00156)									
4	2	129470-51040	CAMSHAFT	1	1	1	1	1			
5	2	122710-51050	BEARING, ROLLER	2	2	2	2	2			
6	2	129470-51060	RETAINER	1	1	1	1	1			

Remarks
(1) BOOST COMPEMSATOR TYPE. OPTIONAL PART, TO E00155,(4JH-DT, 4JH-DTZ

① Ref. No.

The Ref. No. listed may not be in accordance with the illustration Ref. No.

(Ex.) Illustration No.

List Ref No.

1 1 (Before change) → 1-1 (After change)

For interchangeable symbols N, R and K, illustrations for new parts may be abbreviated.

② Lev. (Level)

Level indication

The numbers below indicate the level of relativity towards the main part.

1 ---- Main parts (Assembly parts)

2 ---- Sub component included in " 1 ".

3 ---- Sub component included in " 2 ".

Note) Parts that are not for sale are partially illustrated but not listed.

③ Interchangeability Symbol

When a part change takes place, one of the following interchangeability symbols is indicated beside the part.

Symbol	Interchangeability	Contents note
N	Old $\begin{matrix} \leftarrow \text{Yes} \\ \text{No} \rightarrow \end{matrix}$ New	New Part is interchangeable for Old Part but Old Part is not interchangeable for New Part.
Q	Old $\begin{matrix} \leftarrow \text{No} \\ \text{Yes} \rightarrow \end{matrix}$ New	New Part is not interchangeable for Old Part but Old Part is interchangeable for New Part.
R	Old $\begin{matrix} \leftarrow \text{Yes} \\ \text{Yes} \rightarrow \end{matrix}$ New	New/ Old Parts are both interchangeable.
S	Old $\begin{matrix} \leftarrow \text{No} \\ \text{No} \rightarrow \end{matrix}$ New	New/ Old Parts are both not interchangeable.
W		Part newly added.
Z		Part discontinued.
F		Not interchangeable by a single part but interchangeable together with related parts.
K		Changes only for used parts quantities.

④ Effective Machine No.

When a part changes, the effective Machine No. will be indicated in the (A)-(F) column.

Product Symbol	Product No.	Product Symbol	Product No.
C	Clutch No. Compressor No.	F	Machine No. (Agricultural Equip.)
D	Drive No.	M	Machine No.
E	Engine No.		

Note 1) A date may follow the symbol. (Ex.) 1996.01

Note 2) "XXXXX" and "ZZZZZ" are for parts that could not be predicted or for engine models that could not be identified.

Note 3) (A=E00185) is the E (Engine Serial Number) for the column (A) model (in this case 4JH-DT) after the parts design change.

⑤ Remarks

Figures or alphabets (symbols) are entered in the remarks column.

The comments (remarks) on parts that are indicated at the bottom of the illustration are the same symbols as those stated above.

Contents

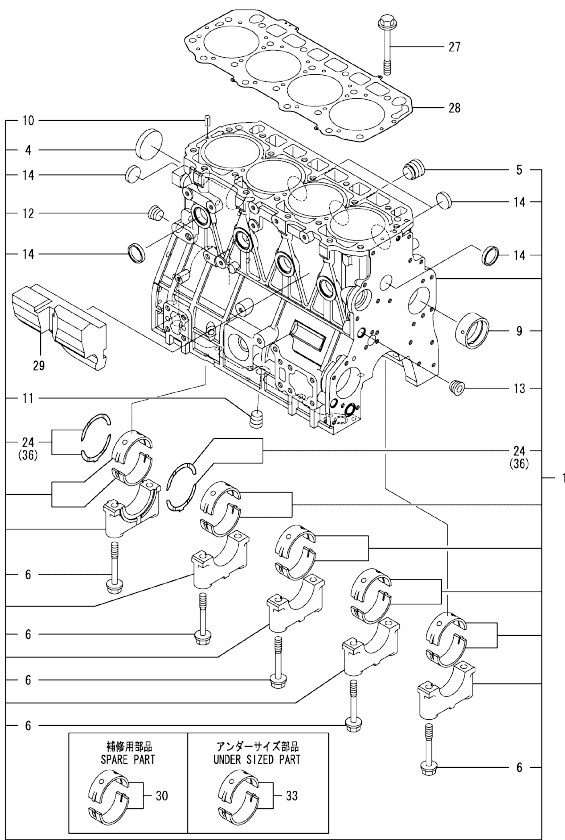
OCR10-M65201

Fig. No.	Fig. Name	Fig. No.	Fig. Name
4TNV98-GGEP/-IGEP			
1.	CYLINDER BLOCK		
2.	GEAR HOUSING		
3.	FLYWHEEL HOUSING & OIL SUMP		
4.	CYLINDER HEAD & BONNET		
5.	SUCTION MANIFOLD & AIR CLEANER		
6.	EXHAUST MANIFOLD & SILENCER		
7.	CAMSHAFT & DRIVING GEAR		
8.	CRANKSHAFT & PISTON		
9.	LUB. OIL SYSTEM		
10.	COOLING WATER SYSTEM		
11.	RADIATOR		
12.	FUEL INJECTION PUMP		
13.	GOVERNOR		
14.	FUEL INJECTION PUMP		
15.	GOVERNOR		
16.	FUEL INJECTION VALVE		
17.	FUEL LINE		
18.	ENGINE CONTROL DEVICE		
19.	STARTING MOTOR		
20.	STARTING MOTOR		
21.	GENERATOR		
22.	ELECTRIC PARTS		
23.	GASKET SET		

Fig.1. CYLINDER BLOCK

(A)=4TNV98-GGEP
(B)=4TNV98-IGEP
(C)=

(D)=
(E)=
(F)=

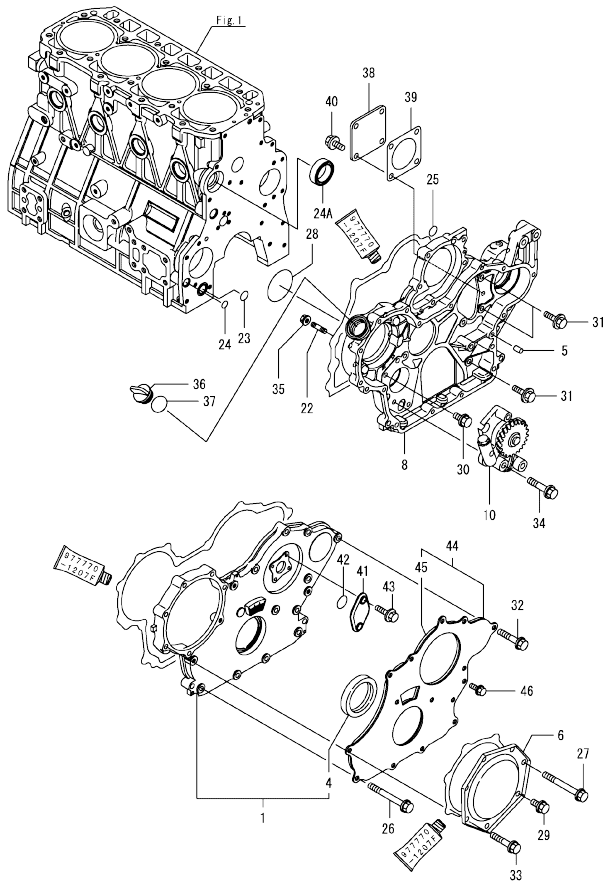


No.	Lev.	Parts No.	Description	Q'ty						I	R
				(A)	(B)	(C)	(D)	(E)	(F)		
1	1	729907-01560	BLOCK ASSY, CYLINDER	1	1						
4	2	129900-01250	PLUG, DISH TYPE 55	1	1						
5	2	171051-01921	PLUG, NPTF1	1	1						
6	2	129900-02020	BOLT, METAL CAP	10	10						
9	2	129900-02410	BUSH, CAMSHAFT	1	1						
10	2	22351-060012	PIN, SPRING 6.0X12	2	2						
11	2	23876-030000	PLUG, R03	1	1						
12	2	23876-030000	PLUG, R03	1	1						
13	2	23876-030000	PLUG, R03	1	1						
14	2	27241-300000	PLUG 30	8	8						
24	2	129900-02931	BEARING ASSY, THRUST	2	2						
27	1	129900-01200	BOLT, CYLINDER HEAD	18	18						
28	1	129907-01331	GASKET, HEAD	1	1						
29	1	129907-01190	SPACER	1	1						
30	1	729900-02801	BEARING, MAIN	5	5						1
33	1	129900-02341	BEARING ASSY, MAIN	5	5						2
36	1	129900-02941	BEARING, THRUST 0.25	2	2						3

Remarks

- (1)Spare part.
- (2)Under-sized(U.S.=0.25)part.
- (3)Over-sized(O.S.=0.25)part.

Fig.2. GEAR HOUSING



(A)=4TNV98-GGEP
(B)=4TNV98-IGEP
(C)=

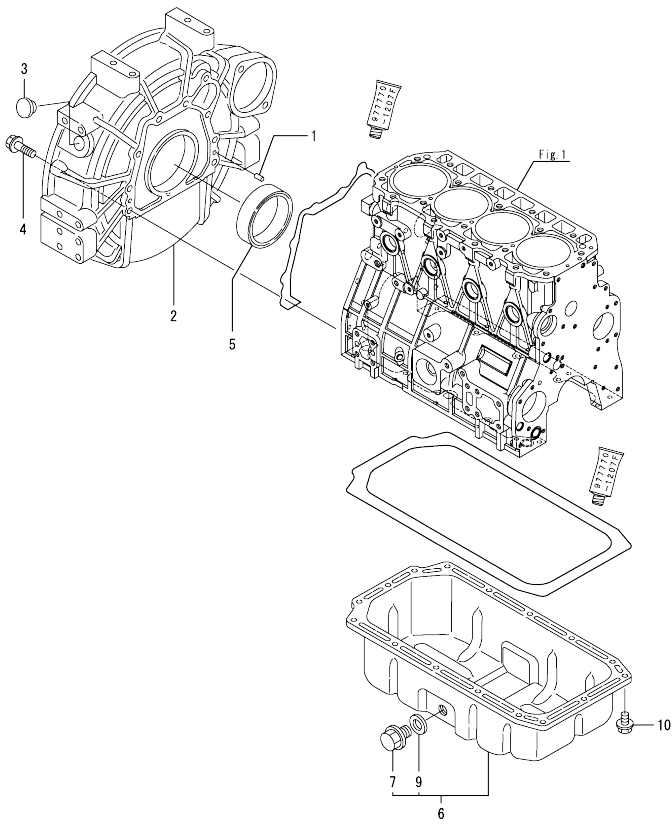
(D)=
(E)=
(F)=

No.	Lev.	Parts No.	Description	Q'ty						I	R
				(A)	(B)	(C)	(D)	(E)	(F)		
1	1	729907-01570	COVER ASSY,GEAR CASE	1							
1-1	1	729907-01590 (A=E76910)	COVER ASSY,GEAR CASE	1	1						S
4	2	129900-01780	SEAL, OIL	1							
4-1	2	129916-01800 (A=E76910)	SEAL, OIL	1	1						S 1
5	1	129100-01580	PIN, PARALLEL 8X16	4	4						
6	1	129900-01740	COVER	1							
6-1	1	129951-01740	COVER	1	1						N
(A=EXXXXX)											
8	1	129907-01500	CASE, GEAR	1	1						
10	1	129900-32001	PUMP ASSY, OIL	1	1						
22	1	26216-100302	STUD, M10X 30	4	4						
23	1	129900-32030	O-RING, P20	1	1						
24	1	129900-32040	O-RING, P14	1	1						
24A	1	129927-42140 (A=*2014.09) (B=*2014.09)	GASKET, PUMP OUTLET	1	1						W
25	1	24311-000070	O-RING, 1AP7.0	1	1						
26	1	129001-91810	BOLT, M8X70	6							
26-1	1	26106-080702 (A=EXXXXX)	BOLT, M8X 70 PLATED	6	6						R
27	1	129001-91810	BOLT, M8X70	1							
27-1	1	26106-080702 (A=EXXXXX)	BOLT, M8X 70 PLATED	1							R
27-2	1	26106-080752 (A=EXXXXX)	BOLT, M8X 75 PLATED	1	1						N
28	1	24351-030750	O-RING, 1A3075	1	1						
29	1	26106-080162	BOLT, M8X 16 PLATED	1							
29-1	1	26106-080202 (A=EXXXXX)	BOLT, M8X 20 PLATED	1	1						N
30	1	26106-080162	BOLT, M8X 16 PLATED	1	1						
31	1	26106-080202	BOLT, M8X 20 PLATED	3	3						
32	1	26106-080402	BOLT, M8X 40 PLATED	5	5						
33	1	26106-080402	BOLT, M8X 40 PLATED	5							
33-1	1	26106-080452 (A=EXXXXX)	BOLT, M8X 45 PLATED	5	5						N
34	1	26106-080452	BOLT, M8X 45 PLATED	3	3						
35	1	26306-100002	NUT, M10	4	4						
36	1	124160-01751	CAP, FILLER	1	1						
37	1	24311-000320	O-RING, 1AP32.0	1	1						
38	1	124240-01871	COVER, PUMP	1	1						
39	1	124240-01883	GASKET	1	1						
40	1	26106-080162	BOLT, M8X 16 PLATED	4	4						
41	1	121023-01551	COVER	1	1						
42	1	24341-000240	O-RING, 1AS24.0	1	1						
43	1	26106-060162	BOLT, M6X 16 PLATED	2	2						
44	1	129900-01850	COVER ASSY,GEAR CASE	1	1						
45	2	129900-01870	SPONGE, GEAR CASE	1	1						
46	1	26106-080162	BOLT, M8X 16 PLATED	3	3						

Remarks
(1)Color=Ref.No.4 Black,4-1 Brown.

N:Old $\frac{100}{100}$ New, Q:Old $\frac{100}{100}$ New, R:Old $\frac{100}{100}$ New, S:Old $\frac{100}{100}$ New, W:Add, Z:Discontinued, F:Interchangeable by set, K:Q'ty Change
Copyright (C) YANMAR GLOBAL CS CO., LTD. All Rights Reserved.

Fig.3. FLYWHEEL HOUSING & OIL SUMP

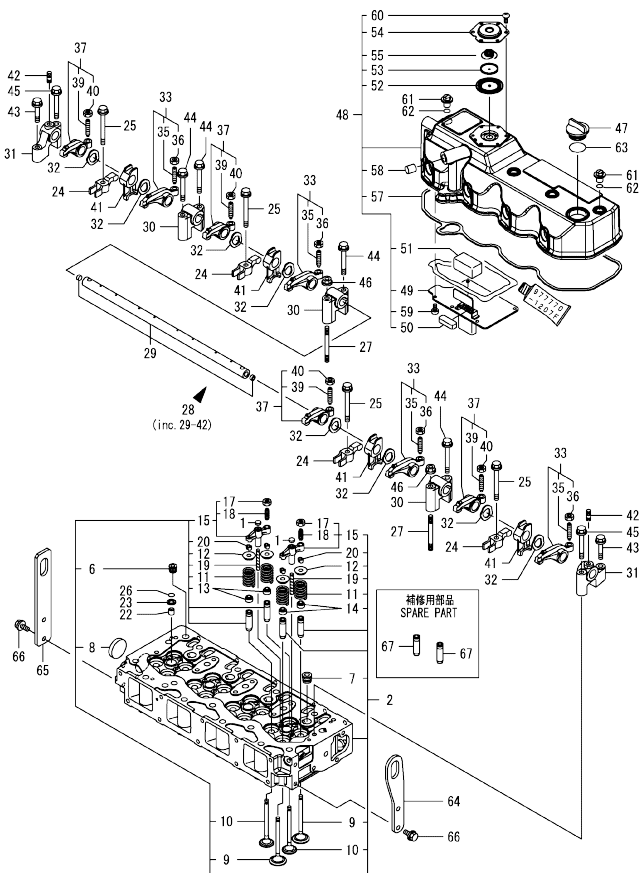


(A)=4TNV98-GGEP
(B)=4TNV98-IGEP
(C)=

(D)=
(E)=
(F)=

No.	Lev.	Parts No.	Description	Q'ty					
				(A)	(B)	(C)	(D)	(E)	(F)
1	1	129100-01580	PIN, PARALLEL 8X16	2	2				
2	1	129915-01610	HOUSING, FLYWHEEL	1	1				
3	1	119000-01840	PLUG, RUBBER	1	1				
4	1	26206-100352	BOLT, M10X 35 PLATED	9	9				
5	1	124411-01780	SEAL, HTC95X115X12	1	1				
6	1	129982-01710	OIL PAN ASSY	1	1				
7	2	119640-01640	PLUG, DRAIN M22	1	1				
9	2	22190-220002	WASHER, SEAL 22	1	1				
10	1	26106-080122	BOLT, M8X 12 PLATED	16	16				

Fig.4. CYLINDER HEAD & BONNET



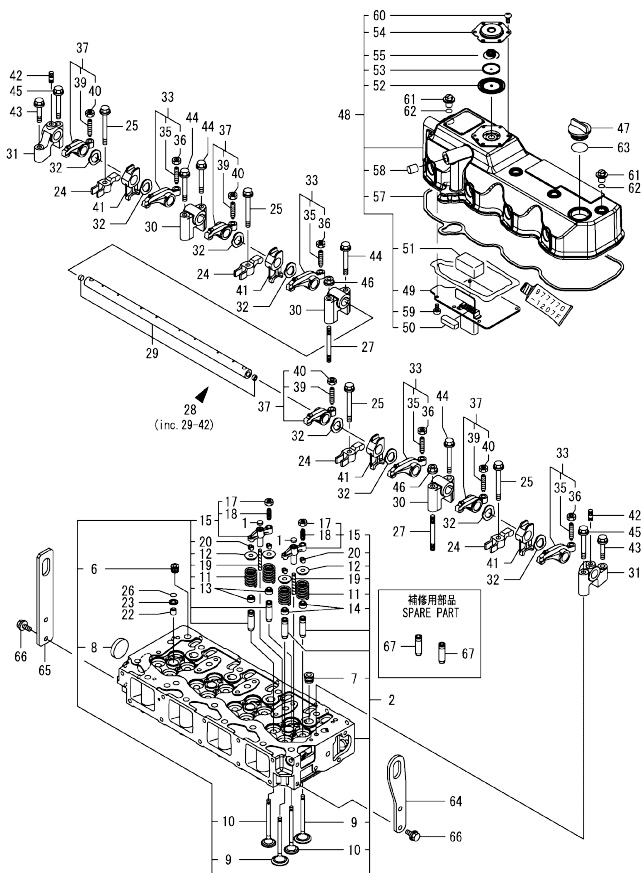
(A)=4TNV98-GGEP
(B)=4TNV98-IGEP
(C)=

(D)=
(E)=
(F)=

No.	Lev.	Parts No.	Description	Q'ty						I	R
				(A)	(B)	(C)	(D)	(E)	(F)		
1	1	123907-11550	SEAT, VALVE BRIDGE	8	8						
2	1	129907-11700	HEAD ASSY, CYLINDER	1	1						
6	2	23876-020000	PLUG, R02	1	1						
7	2	23876-030000	PLUG, R03	4	4						
8	2	27241-400000	PLUG, 40	1	1						
9	2	129907-11100	VALVE, SUCTION	8	8						
10	2	129907-11110	VALVE, EXHAUST	8	8						
11	2	129907-11120	SPRING, VALVE	16	16						
12	2	119620-11180	RETAINER, SPRING	16	16						
13	2	124950-11340	SEAL, VALVE STEM	8							
13-1	2	119803-11340	SEAL, VALVE STEM	8	8						N
(A=E37491)											
14	2	124160-11340	SEAL, VALVE STEM	8	8						
15	2	129907-11510	BRIDGE ASSY, VALVE	8	8						
17	3	129150-11750	NUT, M8	8	8						
18	3	123907-11830	ADJUSTER	8	8						
19	2	123907-11820	GUIDE, BRIDGE	8	8						
20	2	27310-070001	COTTER, 7	16	16						
22	1	119802-11870	PROTECTOR, NOZZLE	4	4						
23	1	119625-11880	SEAT, NOZZLE	4	4						
24	1	129907-11910	RETAINER, NOZZLE	4	4						
25	1	129907-11950	BOLT, M8X75	4	4						
26	1	24311-000120	O-RING, 1AP12.0	4	4						
27	1	119593-11301	BOLT, STUD M8X80	2	2						
28	1	129907-11341	SHAFT ASSY, ROCKER	1	1						
29	2	129907-11250	SHAFT, ROCKER ARM	1	1						
30	2	129907-11260	SUPPORT, ROCKER ARM	3	3						
31	2	129907-11270	SUPPORT, ROCKER ARM	2	2						
32	2	123907-11280	WASHER	8	8						
33	2	129907-11650	ARM ASSY, ROCKER	4	4						
35	3	129150-11230	SCREW, VALVE ADJUST	4	4						
36	3	129150-11750	NUT, M8	4	4						
37	2	129907-11660	ARM ASSY, ROCKER	4	4						
39	3	129150-11230	SCREW, VALVE ADJUST	4	4						
40	3	129150-11750	NUT, M8	4	4						
41	2	129907-11920	RETAINER, NOZZLE	4	4						
42	2	26226-080222	STUD, M8X 22	2	2						
43	1	26106-080402	BOLT, M8X 40 PLATED	2	2						
44	1	26106-080602	BOLT, M8X 60 PLATED	4	4						
45	1	26106-080602	BOLT, M8X 60 PLATED	2	2						
46	1	26306-080002	NUT, M8	2	2						
47	1	124160-01751	CAP, FILLER	1	1						
48	1	129907-11320	BONNET ASSY, HEAD	1							
48-1	1	129907-11321	BONNET ASSY, HEAD	1	1						N
(A=E76910)											
49	2	129907-03011	PLATE, BAFFLE	1	1						
50	2	129907-03061	BAFFLE, BREATHER	1	1						
51	2	129907-03070	BAFFLE, BREATHER	1	1						
52	2	123907-03100	DIAPHRAGM	1	1						
53	2	123907-03110	PLATE	1	1						
54	2	123907-03120	PLATE, BREATHER	1	1						

Remarks
(1) Spare part.

Fig.4. CYLINDER HEAD & BONNET



(A)=4TNV98-GGEP
(B)=4TNV98-IGEP
(C)=

(D)=
(E)=
(F)=

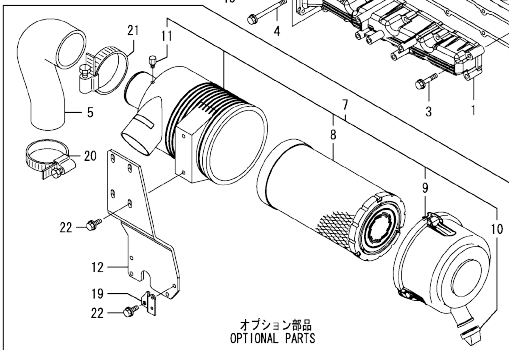
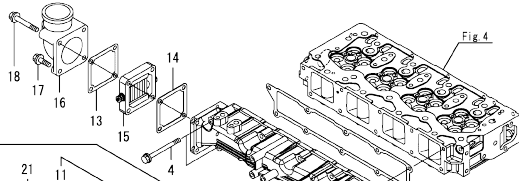
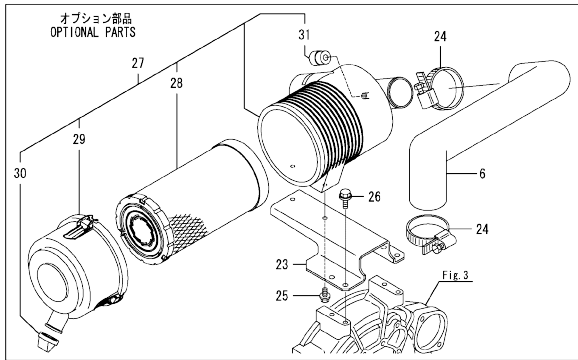
No.	Lev.	Parts No.	Description	Q'ty						I	R
				(A)	(B)	(C)	(D)	(E)	(F)		
55	2	123907-03140	SPRING, DIAPHRAGM	1	1						
57	2	129907-11310	GASKET, BONNET	1							
57-1	2	129933-11310	GASKET, BONNET	1	1						N
(A=E76910)											
58	2	119640-61400	PLUG	1	1						
59	2	22857-500100	SCREW, 5X10	6	6						
60	2	22857-500100	SCREW, 5X10	6	6						
61	1	124160-11360	KNOB	4	4						
62	1	24311-000120	O-RING, 1AP12.0	4	4						
63	1	24311-000320	O-RING, 1AP32.0	1	1						
64	1	129907-07900	LIFTER, ENGINE	1	1						
65	1	129944-07910	LIFTER	1	1						
66	1	26106-080162	BOLT, M8X 16 PLATED	4	4						
67	1	129907-11800	GUIDE, VALVE	16	16						1

Remarks
(1)Spare part.

Fig.5. SUCTION MANIFOLD & AIR CLEANER

(A)=4TNV98-GGEP
(B)=4TNV98-IGEP
(C)=

(D)=
(E)=
(F)=

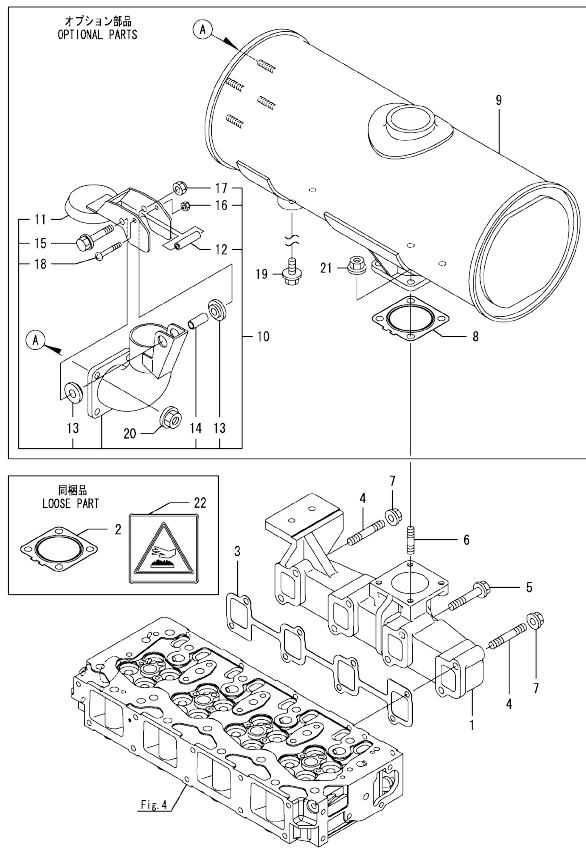


No.	Lev.	Parts No.	Description	Q'ty						I	R
				(A)	(B)	(C)	(D)	(E)	(F)		
1	1	129944-12110	MANIFOLD, AIR INTAKE	1							
1-1	1	129944-12111	MANIFOLD, AIR INTAKE	1	1						R
(A=E19138)											
2	1	129907-12110	GASKET, MANIFOLD	1	1						
3	1	26106-080452	BOLT, M8X 45 PLATED	8	8						
4	1	26106-080802	BOLT, M8X 80 PLATED	2	2						
5	1	129944-12230	PIPE, AIR INTAKE	1	1						1
6	1	129946-12550	PIPE, AIR INTAKE	1	1						1
7	1	129933-12500	AIR CLEANER ASSY	1	1						1
8	2	129935-12520	ELEMENT, OUTER	1	1						1
9	2	119160-12530	COVER ASSY	1	1						1
10	2	119160-12540	VALVE	1	1						1
11	2	121820-12590	NIPPLE	1	1						1
12	1	129944-12620	BRACKET, CLEANER	1	1						1
13	1	119129-77020	GASKET	1	1						1
14	1	121850-77021	GASKET, AIR HEATER	1	1						1
15	1	119005-77050	HEATER, AIR	1							1
15-1	1	119005-77051	HEATER, AIR	1	1						N
(A=E76910)											
16	1	119129-77520	BEND	1	1						1
17	1	26106-080402	BOLT, M8X 40 PLATED	2	2						1
18	1	26106-080902	BOLT, M8X 90 PLATED	2	2						1
19	1	129907-59720	SUPPORT	1	1						1
20	1	23000-080000	CLAMP, 80	1	1						1
21	1	23000-090000	CLAMP, 90	1							1
21-1	1	23000-102000	CLAMP, 102	1	1						R 1
(A=EXXXXX)											
22	1	26106-080202	BOLT, M8X 20 PLATED	6	6						1
23	1	129946-12600	BRACKET, AIR CLEANER	1	1						1
24	1	23000-080000	CLAMP, 80	2	2						1
25	1	26106-080162	BOLT, M8X 16 PLATED	2	2						1
26	1	26106-100182	BOLT, M10X 18 PLATED	4	4						1
27	1	129946-12500	CLEANER ASSY, AIR	1	1						1
28	2	129935-12520	ELEMENT, OUTER	1	1						1
29	2	119160-12530	COVER ASSY	1	1						1
30	2	119160-12540	VALVE	1	1						1
31	2	126650-12680	INDICATOR	1	1						1

Remarks

(1)Optional parts.

Fig.6. EXHAUST MANIFOLD & SILENCER



(A)=4TNV98-GGEP
(B)=4TNV98-IGEP
(C)=

(D)=
(E)=
(F)=

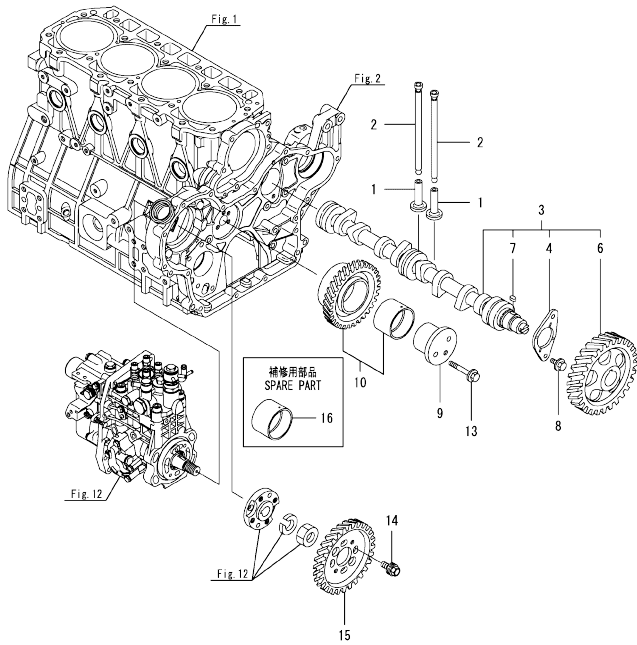
No.	Lev.	Parts No.	Description	Q'ty						I	R
				(A)	(B)	(C)	(D)	(E)	(F)		
1	1	129907-13200	MANIFOLD, EXHAUST	1	1						
2	1	129930-13201	GASKET, SILENCER	1	1						
3	1	129900-13251	GASKET, EXH.MANIFOLD	1	1						
4	1	123900-13610	BOLT, STUD M8X80	2	2						
5	1	123900-13630	BOLT, M8X80	6	6						
6	1	119131-18320	BOLT, STUD M8X22	4	4						
7	1	26306-080002	NUT, M8	2	2						
8	1	129930-13201	GASKET, SILENCER	2	2						1
9	1	129907-13500	SILENCER	1	1						1
10	1	123925-13600	PIPE ASSY, TAIL	1	1						1
11	2	128300-13640	CAP	1	1						1
12	2	121855-13821	SPACER, A	1	1						1
13	2	121855-13830	SPACER, B	2	2						1
14	2	123500-13840	SPACER, C	1	1						1
15	2	26106-060402	BOLT, M6X 40 PLATED	1	1						1
16	2	26347-040002	NUT, M4	1	1						1
17	2	26347-060002	NUT, M6	1	1						1
18	2	26557-040352	SCREW, M4X35	1	1						1
19	1	26106-080252	BOLT, M8X 25 PLATED	2	2						1
20	1	26306-080002	NUT, M8	4	4						1
21	1	26306-080002	NUT, M8	4	4						1
22	1	114220-07130	LABEL, HOT SURFACE	1	1						W

(A=EXXXXX)

Remarks

(1)Optional parts.

Fig.7. CAMSHAFT & DRIVING GEAR



(A)=4TNV98-GGEP
(B)=4TNV98-IGEP
(C)=

(D)=
(E)=
(F)=

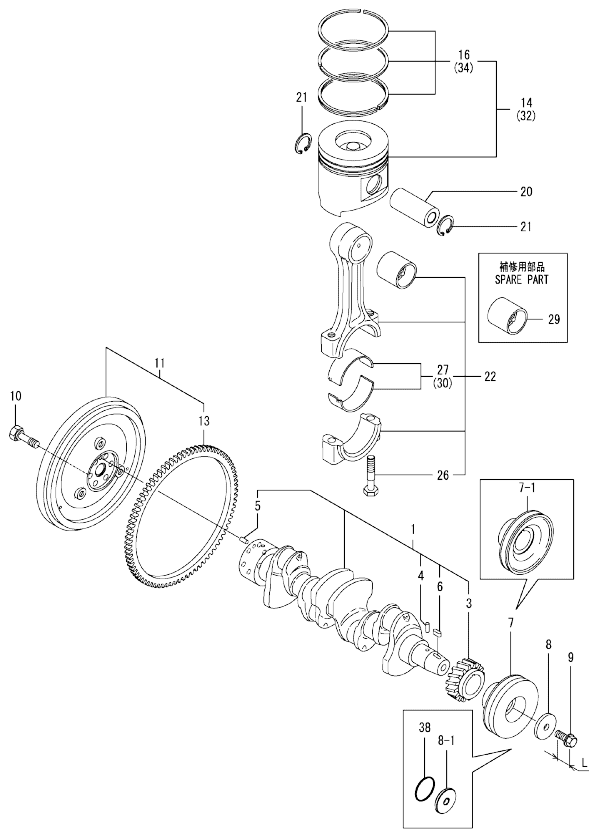
No.	Lev.	Parts No.	Description	Q'ty						I	R
				(A)	(B)	(C)	(D)	(E)	(F)		
1	1	129150-14200	TAPPET	8	8						
2	1	129907-14400	PUSH-ROD	8	8						
3	1	129907-14581	CAMSHAFT ASSY	1							
3-1	1	129908-14581	CAMSHAFT ASSY	1	1						N
		(A=E10438)									
4	2	129150-02450	BEARING, THRUST	1	1						
6	2	129900-14100	GEAR, CAMSHAFT	1	1						
7	2	22512-070140	KEY, 7X 14	1	1						
8	1	26106-080162	BOLT, M8X 16 PLATED	2	2						
9	1	123900-25060	SHAFT, IDLE GEAR	1	1						
10	1	129900-25100	GEAR ASSY, IDLE	1	1						
13	1	26106-080552	BOLT, M8X 55 PLATED	3	3						
14	1	129953-25300	BOLT	4	4						
15	1	129907-25900	GEAR, PUMP	1	1						
16	1	129150-25920	BUSH, IDLE GEAR	1	1						1

Remarks
(1)Spare part.

Fig.8. CRANKSHAFT & PISTON

(A)=4TNV98-GGEP
(B)=4TNV98-IGEP
(C)=

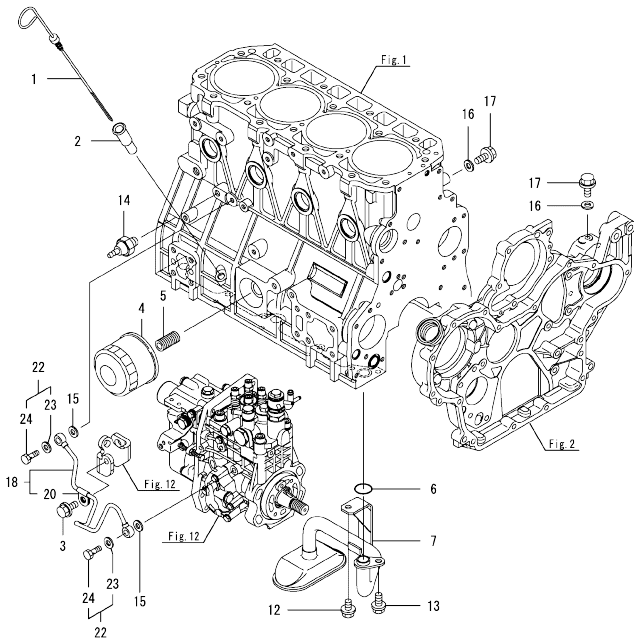
(D)=
(E)=
(F)=



No.	Lev.	Parts No.	Description	Q'ty						I	R
				(A)	(B)	(C)	(D)	(E)	(F)		
1	1	129902-21000	CRANKSHAFT ASSY	1	1						
3	2	129900-21200	GEAR, CRANKSHAFT	1	1						
4	2	121850-21290	PIN, CRANK GEAR	1	1						
5	2	121850-21920	PIN, PARALLEL 10X22	1	1						
6	2	22512-070140	KEY, 7X 14	1	1						
7	1	129907-21660	V-PULLEY, CRANKSHAFT	1							
7-1	1	129900-21660	V-PULLEY, CRANKSHAFT	1	1						R
		(A=EF3851)									
8	1	129900-21640	WASHER	1	1						
8-1	1	129960-21940	WASHER, V-PULLEY	1	1						N
		(A=2018.08) (B=E137363)									
9	1	121850-21680	BOLT, V-PULLEY	1							
9-1	1	129916-21610	BOLT, V-PULLEY	1	1						S 4
		(A=ED2336)									
10	1	121850-21130	BOLT, FLYWHEEL	6	6						
11	1	129920-21580	FLYWHEEL ASSY	1	1						
13	2	127410-21480	GEAR, RING Z=129	1	1						
14	1	129907-22090	PISTON ASSY, 18.5	4	4						
16	2	129907-22050	RING SET, PISTON	4							
16-1	2	129907-22051	RING SET, PISTON	4	4						R
		(A=EE6900)									
20	1	120130-22301	PIN, PISTON	4	4						
21	1	22252-000300	RING, 30	8	8						
22	1	129900-23001	ROD ASSY, CONNECTING	4	4						
26	2	129900-23200	BOLT, CONNECTING ROD	8	8						
27	2	129900-23601	METAL ASSY, CRANK PIN	4	4						
29	1	129900-23911	METAL, PISTON PIN	4	4						1
30	1	129900-23611	METAL ASSY, PIN .25	4	4						2
32	1	729907-22910	PISTON ASSY, 0.25 OS	4	4						3
34	2	729907-22950	RING SET, PISTON .25	4	4						3
38	1	129960-21930	GASKET, WASHER	1	1						W
		(A=2018.08) (B=E137363)									

Remarks

- (1) Spare part.
- (2) Under-sized (U.S.=0.25) part.
- (3) Over-sized (O.S.=0.25) part.
- (4) L=Ref.No.9 30mm, 9-1 35mm.



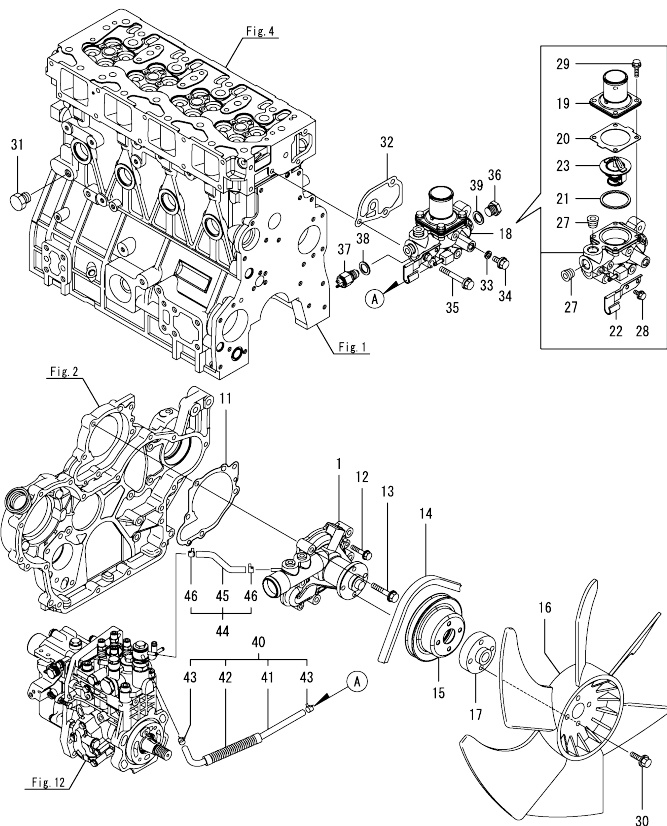
(A)=4TNV98-GGEP
 (B)=4TNV98-IGEP
 (C)=

(D)=
 (E)=
 (F)=

No.	Lev.	Parts No.	Description	Q'ty						I	R
				(A)	(B)	(C)	(D)	(E)	(F)		
1	1	129953-34830	DIPSTICK	1	1						
2	1	121520-34810	GUIDE, DIPSTICK	1	1						
3	1	26106-080122	BOLT, M8X 12 PLATED	1	1						
4	1	129150-35170	FILTER, LO	1	1						
5	1	119000-35140	BOLT, STUD FILTER	1	1						
6	1	129900-32030	O-RING, P20	1	1						
7	1	129953-35000	PIPE ASSY, OIL INLET	1	1						
12	1	26106-080122	BOLT, M8X 12 PLATED	1	1						
13	1	26106-080162	BOLT, M8X 16 PLATED	1	1						
14	1	114250-39450	SWITCH, HYDRAULIC	1	1						
15	1	22190-080002	WASHER, SEAL 6	2	2						
16	1	22190-080002	WASHER, SEAL 6	2	2						
17	1	26106-080122	BOLT, M8X 12 PLATED	2	2						
18	1	129907-39061	PIPE ASSY, OIL	1	1						
20	2	123907-39500	RETAINER, PIPE	1	1						
22	1	129005-59830	BOLT ASSY, JOINT M8	2	2						
23	2	22190-080002	WASHER, SEAL 6	2	2						
24	2	23857-030000	BOLT, JOINT 3	2	2						

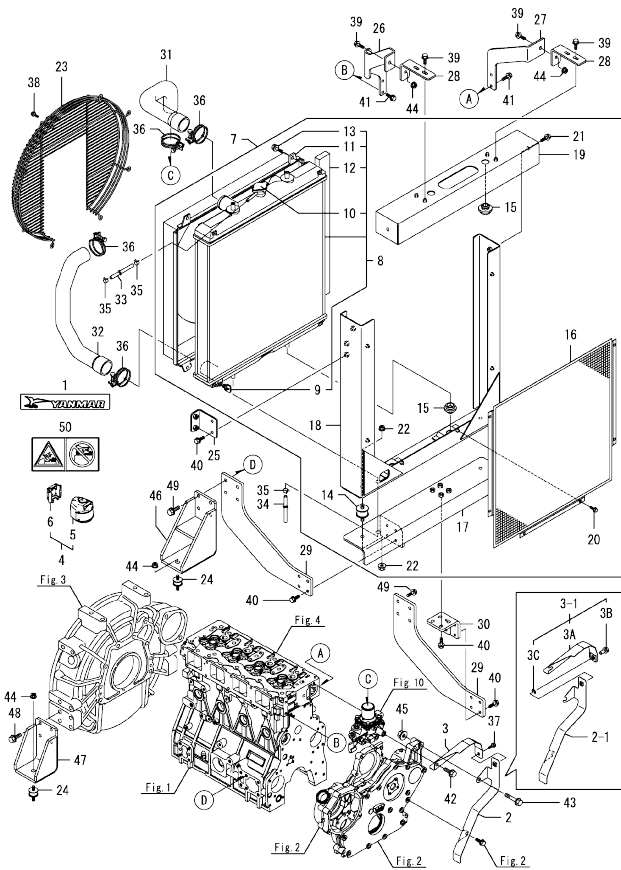
Remarks
 (1) Spare part.

Fig.10. COOLING WATER SYSTEM



No.	Lev.	Parts No.	Description	Q'ty						I	R
				(A)	(B)	(C)	(D)	(E)	(F)		
1	1	129907-42000	PUMP ASSY, WATER	1							
1-1	1	129907-42001 (A=EXXXXX)	PUMP ASSY, WATER	1	1						N
11	1	129900-42020	GASKET, WATER PUMP	1	1						
12	1	26106-060302	BOLT, M6X 30 PLATED	2	2						
13	1	26106-080552	BOLT, M8X 55 PLATED	5	5						
14	1	129052-42290	V-BELT, A40.5	1							
14-1	1	25132-004100 (A=EXXXXX)	V-BELT, A41	1	1						R
15	1	129900-42461	V-PULLEY, C.W.PUMP	1							
15-1	1	129900-42462 (A=EJ2821)	V-PULLEY, PUMP	1	1						R
16	1	129916-44740	FAN, COOLING D=430	1	1						
17	1	119130-44760	SPACER, FAN	1	1						
18	1	129907-49800	CASE ASSY, THERMOSTAT	1	1						
19	2	129916-49530	COVER, THERMOSTAT	1	1						
20	2	121850-49540	GASKET, THERMOSTAT	1	1						
21	2	121850-49550	GASKET, THERMOSTAT	1	1						
22	2	129907-49730	RETAINER, PIPE	1	1						
23	2	121850-49810	THERMOSTAT, 71C	1							
23-1	2	121850-49811 (A=EE5225)	THERMOSTAT, 71C	1	1						N
27	2	23875-030000	PLUG, R03	2	2						
28	2	26106-060122	BOLT, M6X 12 PLATED	1	1						
29	2	26106-060202	BOLT, M6X 20 PLATED	4	4						
30	1	26106-080302	BOLT, M8X 30 PLATED	4	4						
31	1	171056-49120	PLUG, DRAIN R1/4	1	1						
32	1	129900-49870	GASKET, THERMOSTAT	1	1						
33	1	23414-080000	GASKET, 8X1.0	1	1						
34	1	26106-080122	BOLT, M8X 12 PLATED	1	1						
35	1	26106-080602	BOLT, M8X 60 PLATED	3	3						
36	1	121450-42450	PLUG, M16	1	1						
37	1	121250-44901	SWITCH, THERMO 110	1	1						
38	1	124465-44950	GASKET, 16	1	1						
39	1	124465-44950	GASKET, 16	1	1						
40	1	129907-49610	HOSE ASSY, WATER	1	1						
41	2	129907-49710	HOSE, WATER	1	1						
42	2	129907-49750	TUBE, CORRUGATED	1	1						
43	2	124722-59050	CLAMP, HOSE 9	2	2						
44	1	129907-49620	HOSE ASSY, WATER	1	1						
45	2	129907-49720	HOSE, WATER	1	1						
46	2	124722-59050	CLAMP, HOSE 9	2	2						

Fig.11. RADIATOR



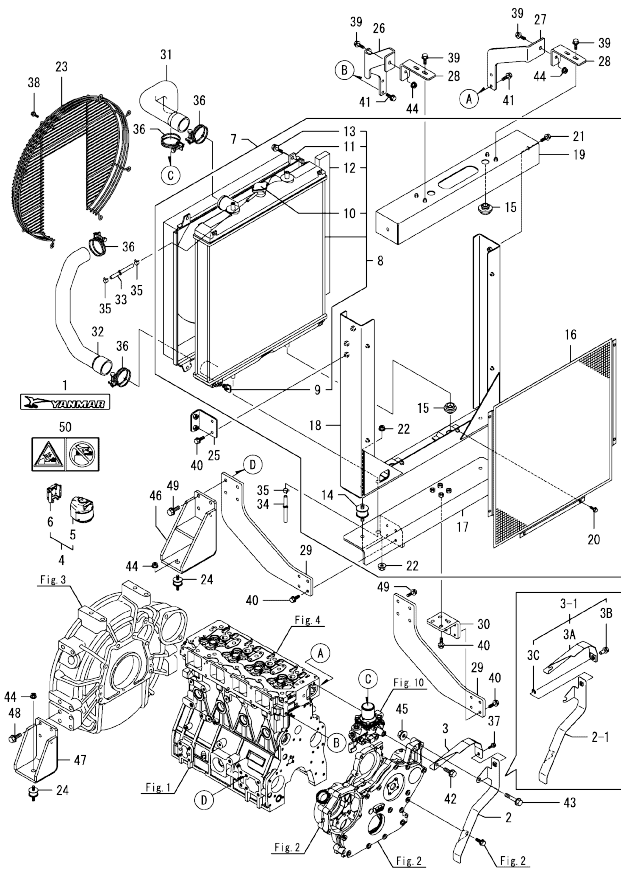
(A)=4TNV98-GGEP
(B)=4TNV98-IGEP
(C)=

(D)=
(E)=
(F)=

No.	Lev.	Parts No.	Description	Q'ty						I	R
				(A)	(B)	(C)	(D)	(E)	(F)		
1	1	129247-07000	LABEL, YANMAR	1							
1-1	1	129247-07001 (A=EXXXXX)	LABEL, YANMAR	1	1						N
2	1	129946-42800	COVER	1							
2-1	1	129946-42801 (A=EXXXXX)	COVER, BELT	1	1						S
3	1	129946-42810	COVER	1							
3-1	1	129946-42820 (A=EXXXXX)	COVER B CMP,V-BELT	1	1						N
3A	2	129946-42811 (A=EXXXXX)	COVER B,V-BELT	1	1						W
3B	2	119746-42820 (A=EXXXXX)	SCREW,V-BELT COVER	1	1						W
3C	2	22276-000060 (A=EXXXXX)	RING, E- 6	1	1						W
4	1	720445-44200	TANK ASSY, SUB	1	1						
5	2	120445-44530	TANK, SUB	1	1						
6	2	120445-44540	SUPPORT	1	1						
7	1	129946-44500	RADIATOR ASSY	1	1						
8	2	129940-44500	RADIATOR ASSY	1	1						
9	3	129508-44550	COCK ASSY	1	1						
10	3	129107-44590	CAP, RADIATOR	1	1						
11	3	129907-44600	SHROUD	1	1						
12	3	129907-44610	GASKET	2	2						
13	3	26014-060122	BOLT, M6X 12	4	4						
14	2	121400-44650	ABSORBER	2	2						
15	2	119255-44660	ABSORBER	4	4						
16	2	129946-44800	SCREEN	1	1						
17	2	129946-44960	BRACKET, RADIATOR	1	1						
18	2	129946-44970	BRACKET, RADIATOR	1	1						
19	2	129946-44980	BRACKET, RADIATOR	1	1						
20	2	26106-060162	BOLT, M6X 16 PLATED	6	6						
21	2	26106-080162	BOLT, M8X 16 PLATED	2	2						
22	2	26366-100002	NUT, M10	4	4						
23	1	129907-44560	GUARD, FAN	1	1						
24	1	121400-44640	ABSORBER	2	2						
25	1	129946-44900	BRACKET, SUB TANK	1	1						
26	1	129946-44920	STAY, MUFFLER A	1	1						
26-1	1	129946-44921 (A=EXXXXX)	STAY, MUFFLER A	1	1						N
27	1	129946-44930	STAY, MUFFLER B	1	1						
28	1	129946-44940	STAY, MUFFLER C	2	2						
29	1	129946-44950	BRACKET, RADIATOR	2	2						
30	1	129946-44990	BRACKET, RADIATOR	1	1						
31	1	129981-49050	HOSE, WATER	1	1						
32	1	129981-49060	PIPE, WATER	1							
32-1	1	129981-49061 (A=EXXXXX)	PIPE, WATER	1							N
32-2	1	129981-49062 (A=EXXXXX)	HOSE, WATER	1	1						N
33	1	119853-49150	PIPE, WATER DRAIN	1							

Remarks
* This Figure (Radiator assy) is
Optional parts.

Fig.11. RADIATOR



(A)=4TNV98-GGEP
(B)=4TNV98-IGEP
(C)=

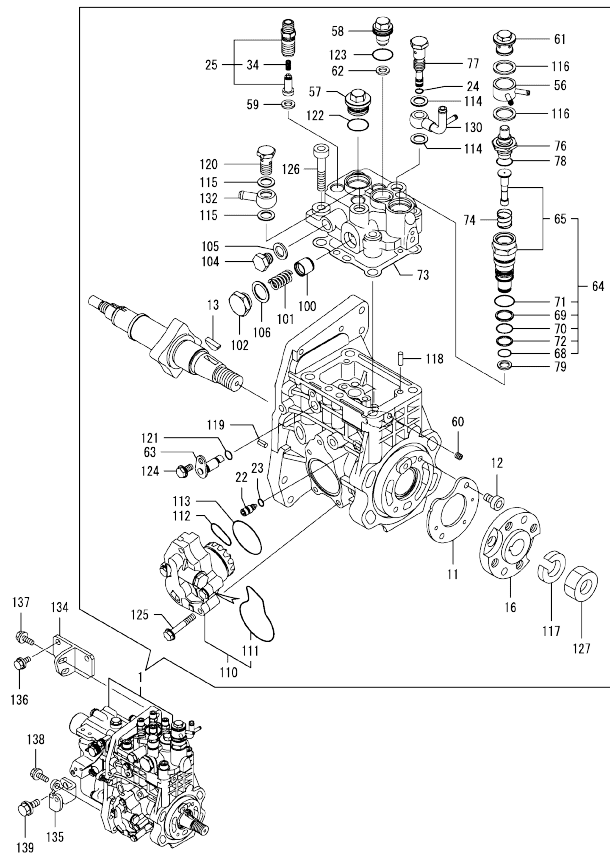
(D)=
(E)=
(F)=

No.	Lev.	Parts No.	Description	Q'ty						I	R
				(A)	(B)	(C)	(D)	(E)	(F)		
33-1	1	129426-49150	PIPE, WATER DRAIN	1	1						N
(A=EXXXXX)											
34	1	121520-49160	PIPE, WATER DRAIN	1	1						
35	1	124766-59050	CLAMP, HOSE 11.5	3	3						
36	1	23000-060000	CLAMP, 60	4	4						
37	1	26106-060102	BOLT, M6X 10 PLATED	1							Z
(A=EXXXXX)											
38	1	26106-060162	BOLT, M6X 16 PLATED	8	8						
39	1	26106-080162	BOLT, M8X 16 PLATED	6	6						
40	1	26106-080202	BOLT, M8X 20 PLATED	14	14						
41	1	26106-080252	BOLT, M8X 25 PLATED	4	4						
42	1	26106-100202	BOLT, M10X 20 PLATED	1	1						
43	1	26106-100552	BOLT, M10X 55 PLATED	1	1						
44	1	26366-080002	NUT, M8	4							
44-1	1	26306-080002	NUT, M8	4	4						N
(A=EXXXXX)											
45	1	26366-100002	NUT, M10	1							
45-1	1	26306-100002	NUT, M10	1	1						N
(A=EXXXXX)											
46	1	129981-08030	FOOT	2	2						
47	1	129981-08040	FOOT	2	2						
48	1	26106-100252	BOLT, M10X 25 PLATED	8	8						
49	1	26106-100352	BOLT, M10X 35 PLATED	8	8						
50	1	129946-07000	LABEL, NO OPEN	1	1						W
(A=EXXXXX)											

Remarks
* This Figure (Radiator assy)is
Optional parts.

N:Old $\frac{100}{100}$ New, Q:Old $\frac{100}{100}$ New, R:Old $\frac{100}{100}$ New, S:Old $\frac{100}{100}$ New, W:Add, Z:Discontinued, F:Interchangeable by set, K:Qty Change
Copyright (C) YANMAR GLOBAL CS CO., LTD. All Rights Reserved.

Fig.12. FUEL INJECTION PUMP

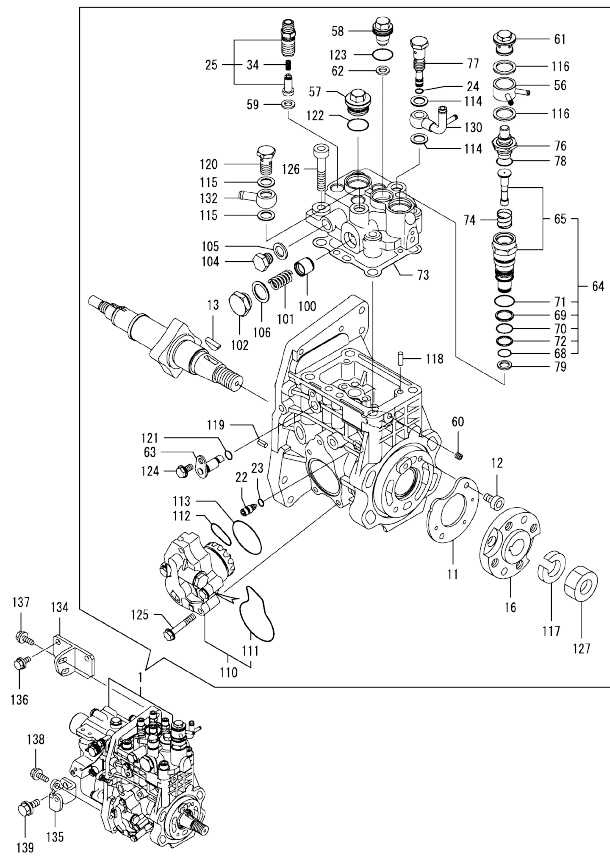


Remarks
 (1)Governor(Fig.13)is incorporated in this Fuel Injection Pump (Ref.1).

No.	Lev.	Parts No.	Description	Q'ty						I	R	
				(A)	(B)	(C)	(D)	(E)	(F)			
1	1	729946-51390	FIE ASSY	1							1	
11	2	129928-51900	COVER	1								W
(A=ED2336)												
12	2	129008-51920	BOLT, SOCKET M6X10	2								W
(A=ED2336)												
13	2	144626-51090	FEATHER KEY, 5X19	1								
16	2	158563-51150	FLANGE	1								
22	2	158600-51270	STOPPER, TAPPET	1								
23	2	158563-51281	O-RING, 4D S6	1								
24	2	158563-51281	O-RING, 4D S6	1								
25	2	129509-51390	VALVE ASSY, DELIVERY	4								W
(A=EXXXXX)												
34	3	158563-51330	SPRING, DELIVERY	4								
56	2	158553-51551	JOINT, COOLING WATER	1								
57	2	158601-51550	PLUG, M22	1								
58	2	129907-51560	PLUG, M16	1								
59	2	158552-51570	GASKET, PLUG	4								
59-1	2	158552-51571	GASKET, PLUG	4								R
(A=E78050)												
60	2	158557-51570	PLUG, RACK	1								
61	2	158601-51570	PLUG	1								
62	2	129906-51580	GASKET, PLUG	1								
63	2	158552-51580	LIFTER, LINK	1								
64	2	119802-51590	TIMER ASSY	1								
65	3	119802-51600	TIMER ASSY	1								
68	3	158553-51670	O-RING	1								
69	3	119802-51680	RING, BACKUP	1								
70	3	119802-51690	O-RING	1								
71	3	24356-010200	O-RING, 4D1020	1								
71-1	3	24356-190200	O-RING, 4D19020	1								R
(A=EXXXXX)												
72	3	24372-000150	RING, BACK UP T2P15	1								
73	2	158560-51600	GASKET	1								
74	2	158553-51630	SPRING, TIMER	1								
76	2	158553-51640	THERMOELEMENT	1								
77	2	158601-51650	JOINT, OVER FLOW	1								
78	2	158553-51660	O-RING, P14	1								
79	2	158553-51680	GASKET, TIMER	1								
100	2	158601-51770	PISTON, ACCUMULATOR	1								
101	2	158552-51780	SPRING, ACCUMULATOR	1								
101-1	2	158552-51781	SPRING, ACCUMULATOR	1								R
(A=E36177)												
102	2	158601-51790	PLUG	1								
104	2	23887-120002	PLUG, 12	1								
104-1	2	158553-51930	PLUG, M12	1								R
(A=ED2336)												
105	2	22190-120002	WASHER, SEAL 12	1								
106	2	22190-180002	WASHER, SEAL 18	1								
110	2	158552-52100	PUMP ASSY, FUEL FEED	1								
111	3	158552-52500	O-RING	1								
112	2	158552-52310	O-RING	1								

N:Old $\frac{New}{Old}$ New, Q:Old $\frac{New}{Old}$ New, R:Old $\frac{New}{Old}$ New, S:Old $\frac{New}{Old}$ New, W:Add, Z:Discontinued, F:Interchangeable by set, K:Q'ty Change
 ++ CONTINUE ++
 Copyright (C) YANMAR GLOBAL CS CO., LTD. All Rights Reserved.

Fig.12. FUEL INJECTION PUMP



(A)=4TNV98-GGEP
(B)=4TNV98-IGEP
(C)=

(D)=
(E)=
(F)=

No.	Lev.	Parts No.	Description	Q'ty						I	R
				(A)	(B)	(C)	(D)	(E)	(F)		
112-1	2	158552-52311 (A=ED2336)	O-RING	1							R
113	2	158552-52400	O-RING, 4E S42	1							
114	2	22190-120002	WASHER, SEAL 12	2							
115	2	22190-120002	WASHER, SEAL 12	2							
116	2	22190-180002	WASHER, SEAL 18	2							
117	2	22217-180000	WASHER, SPRING 18	1							
118	2	22312-050140	PIN, PARALLEL M5X14	2							
119	2	22351-050010	PIN, SPRING 5.0X10	2							
120	2	23857-060000	BOLT, JOINT 6	1							
121	2	24311-000070	O-RING, 1AP7.0	1							
122	2	24356-010200	O-RING, 4D1020	1							
122-1	2	24356-190200	O-RING, 4D19020	1							R
123	2	24356-020210	O-RING, 4D2021	1							
123-1	2	24356-240210	O-RING, 4D24021	1							R
124	2	26106-060102	BOLT, M6X 10 PLATED	1							
125	2	26106-060352	BOLT, M6X 35 PLATED	4							
126	2	26450-100452	BOLT, M10X 45	4							
127	2	26776-180002	NUT, LOCK M18	1							
130	2	158552-51670	JOINT, OVER FLOW	1							
132	2	129916-59020	JOINT, PIPE 12	1							
134	1	129907-01950	RETAINER, PUMP	1							
135	1	129907-01960	RETAINER, PUMP	1							
136	1	26106-080162	BOLT, M8X 16 PLATED	2							
137	1	26106-080222	BOLT, M8X 22 PLATED	2							
138	1	26106-080222	BOLT, M8X 22 PLATED	1							
139	1	26106-100202	BOLT, M10X 20 PLATED	1							

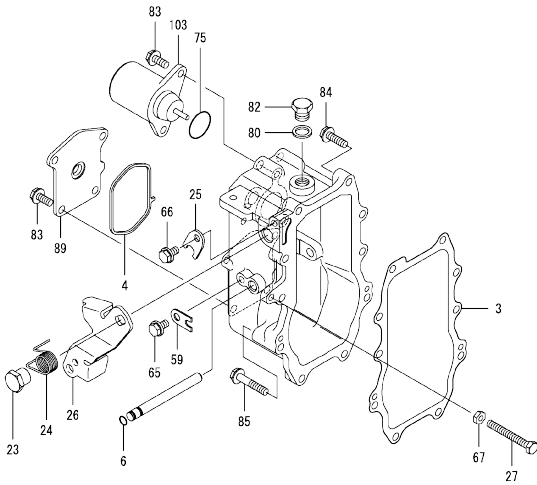
Remarks
(1)Governor(Fig.13)is incorporated in this Fuel Injection Pump (Ref.1).

Fig.13. GOVERNOR

(A)=4TNV98-GGEP
(B)=4TNV98-IGEP
(C)=

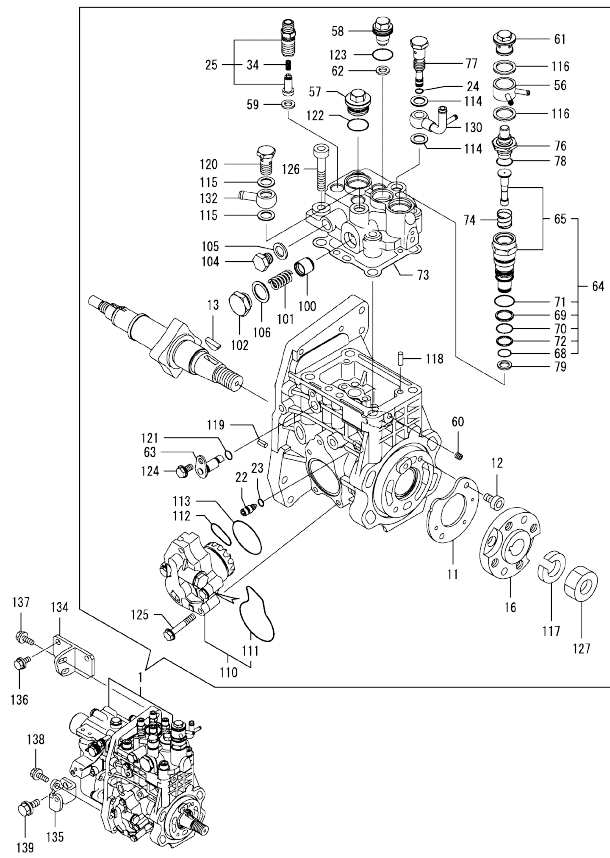
(D)=
(E)=
(F)=

No.	Lev.	Parts No.	Description	Q'ty						I	R
				(A)	(B)	(C)	(D)	(E)	(F)		
3	2	158560-61050	GASKET	1							
4	2	158560-61071	GASKET	1							
6	2	129155-51280	O-RING, S6	1							
23	2	129255-61410	NUT, M8	1							
24	2	119807-61420	SPRING, RETURN	1							
25	2	158560-61430	STOPPER, SHAFT	1							
26	2	129937-61440	LEVER, REGULATOR	1							
27	2	129155-61460	BOLT, LIMITING	1							
59	2	119660-61901	STOPPER, SHAFT	1							
65	2	26106-060102	BOLT, M6X 10 PLATED	1							
66	2	26106-060102	BOLT, M6X 10 PLATED	1							
67	2	26756-060002	NUT, LOCK M6	1							
75	2	158552-61900	O-RING	1							
80	2	22190-160002	WASHER, SEAL 16	1							
82	2	23887-160002	PLUG, 16	1							
83	2	26106-060142	BOLT, M6X 14 PLATED	6							
84	2	26106-060252	BOLT, M6X 25 PLATED	8							
85	2	26106-060402	BOLT, M6X 40 PLATED	2							
89	2	129946-61061	COVER, GOVERNOR CASE	1							
103	2	119653-77950	SOLENOID, STOP	1							



Remarks
*This figure(Governor)is incorporated
in the Fuel Injection Pump (Fig.12).

Fig.14. FUEL INJECTION PUMP



(A)=4TNV98-GGEP
(B)=4TNV98-IGEP
(C)=

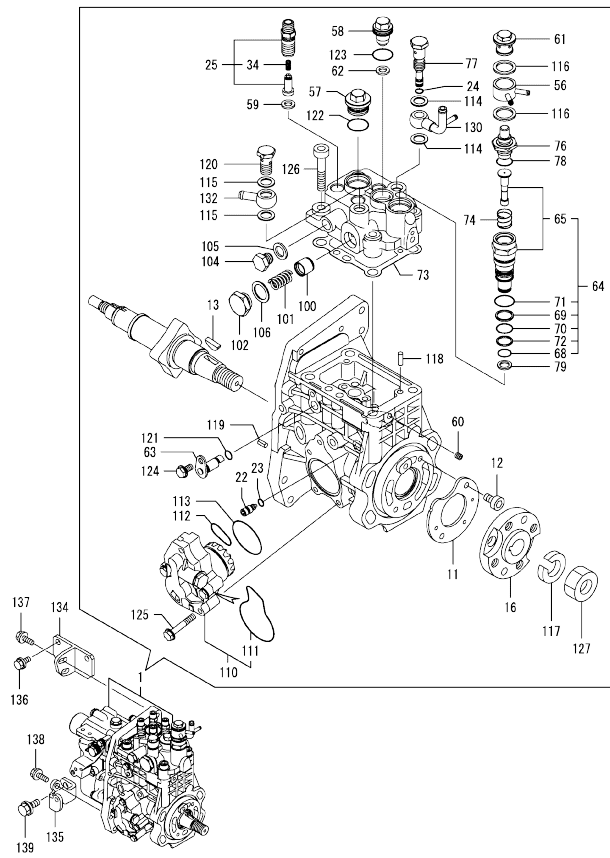
(D)=
(E)=
(F)=

No.	Lev.	Parts No.	Description	Q'ty						I	R
				(A)	(B)	(C)	(D)	(E)	(F)		
1	1	729946-51320	PUMP ASSY, INJECTION	1						1	
11	2	129928-51900	COVER	1							
12	2	129008-51920	BOLT, SOCKET M6X10	2							
13	2	144626-51090	FEATHER KEY, 5X19	1							
16	2	158563-51150	FLANGE	1							
22	2	158600-51270	STOPPER, TAPPET	1							
23	2	158563-51281	O-RING, 4D S6	1							
24	2	158563-51281	O-RING, 4D S6	1							
25	2	129509-51390	VALVE ASSY, DELIVERY	4							
34	3	158563-51330	SPRING, DELIVERY	4							
56	2	158553-51551	JOINT, COOLING WATER	1							
57	2	158601-51550	PLUG, M22	1							
58	2	129907-51560	PLUG, M16	1							
59	2	158552-51571	GASKET, PLUG	4							
60	2	158557-51570	PLUG, RACK	1							
61	2	158601-51570	PLUG	1							
62	2	129906-51580	GASKET, PLUG	1							
63	2	158552-51580	LIFTER, LINK	1							
64	2	119802-51590	TIMER ASSY	1							
65	3	119802-51600	TIMER ASSY	1							
68	3	158553-51670	O-RING	1							
69	3	119802-51680	RING, BACKUP	1							
70	3	119802-51690	O-RING	1							
71	3	24356-190200	O-RING, 4D19020	1							
72	3	24372-000150	RING, BACK UP T2P15	1							
73	2	158560-51600	GASKET	1							
74	2	158553-51630	SPRING, TIMER	1							
76	2	158553-51640	THERMOELEMENT	1							
77	2	158601-51650	JOINT, OVER FLOW	1							
78	2	158553-51660	O-RING, P14	1							
79	2	158553-51680	GASKET, TIMER	1							
100	2	158601-51770	PISTON, ACCUMULATOR	1							
101	2	158552-51781	SPRING, ACCUMULATOR	1							
102	2	158601-51790	PLUG	1							
104	2	158553-51930	PLUG, M12	1							
105	2	22190-120002	WASHER, SEAL 12	1							
106	2	22190-180002	WASHER, SEAL 18	1							
110	2	158552-52100	PUMP ASSY, FUEL FEED	1							
111	3	158552-52500	O-RING	1							
112	2	158552-52311	O-RING	1							
113	2	158552-52400	O-RING, 4E S42	1							
114	2	22190-120002	WASHER, SEAL 12	2							
115	2	22190-120002	WASHER, SEAL 12	2							
116	2	22190-180002	WASHER, SEAL 18	2							
117	2	22217-180000	WASHER, SPRING 18	1							
118	2	22312-050140	PIN, PARALLEL M5X14	2							
119	2	22351-050010	PIN, SPRING 5.0X10	2							
120	2	23857-060000	BOLT, JOINT 6	1							
121	2	24311-000070	O-RING, 1AP7.0	1							
122	2	24356-190200	O-RING, 4D19020	1							
123	2	24356-240210	O-RING, 4D24021	1							

Remarks
(1)Governor(Fig.15)is incorporated in this Fuel Injection Pump (Ref.1).

N:Old $\frac{New}{Old}$ New, Q:Old $\frac{New}{Old}$ New, R:Old $\frac{New}{Old}$ New, S:Old $\frac{New}{Old}$ New, W:Add, Z:Discontinued, F:Interchangeable by set, K:Q'ty Change
++ CONTINUE ++
Copyright (C) YANMAR GLOBAL CS CO., LTD. All Rights Reserved.

Fig.14. FUEL INJECTION PUMP



(A)=4TNV98-GGEP
(B)=4TNV98-IGEP
(C)=

(D)=
(E)=
(F)=

No.	Lev.	Parts No.	Description	Q'ty						I	R
				(A)	(B)	(C)	(D)	(E)	(F)		
124	2	26106-060102	BOLT, M6X 10 PLATED		1						
125	2	26106-060352	BOLT, M6X 35 PLATED		4						
126	2	26450-100452	BOLT, M10X 45		4						
127	2	26776-180002	NUT, LOCK M18		1						
130	2	158552-51670	JOINT, OVER FLOW		1						
132	2	129916-59020	JOINT, PIPE 12		1						
134	1	129907-01950	RETAINER, PUMP		1						
135	1	129907-01960	RETAINER, PUMP		1						
136	1	26106-080162	BOLT, M8X 16 PLATED		2						
137	1	26106-080222	BOLT, M8X 22 PLATED		2						
138	1	26106-080222	BOLT, M8X 22 PLATED		1						
139	1	26106-100202	BOLT, M10X 20 PLATED		1						

Remarks
(1)Governor(Fig.15)is incorporated in this Fuel Injection Pump (Ref.1).

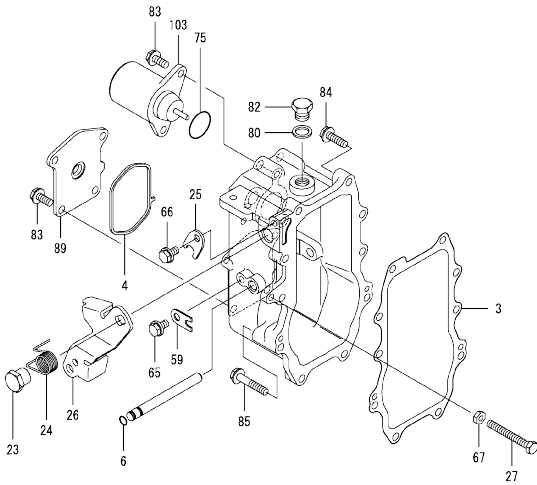
N:Old $\frac{New}{Old}$ New, Q:Old $\frac{New}{Old}$ New, R:Old $\frac{New}{Old}$ New, S:Old $\frac{New}{Old}$ New, W:Add, Z:Discontinued, F:Interchangeable by set, K:Q'ty Change
Copyright (C) YANMAR GLOBAL CS CO., LTD. All Rights Reserved.

Fig.15. GOVERNOR

(A)=4TNV98-GGEP
(B)=4TNV98-IGEP
(C)=

(D)=
(E)=
(F)=

No.	Lev.	Parts No.	Description	Q'ty						I	R
				(A)	(B)	(C)	(D)	(E)	(F)		
3	2	158560-61050	GASKET		1						
4	2	158560-61071	GASKET		1						
6	2	129155-51280	O-RING, S6		1						
23	2	129255-61410	NUT, M8		1						
24	2	119807-61420	SPRING, RETURN		1						
25	2	158560-61430	STOPPER, SHAFT		1						
26	2	129937-61440	LEVER, REGULATOR		1						
27	2	129155-61460	BOLT, LIMITING		1						
59	2	119660-61901	STOPPER, SHAFT		1						
65	2	26106-060102	BOLT, M6X 10 PLATED		1						
66	2	26106-060102	BOLT, M6X 10 PLATED		1						
67	2	26756-060002	NUT, LOCK M6		1						
75	2	158552-61900	O-RING		1						
80	2	22190-160002	WASHER, SEAL 16		1						
82	2	23887-160002	PLUG, 16		1						
83	2	26106-060142	BOLT, M6X 14 PLATED		6						
84	2	26106-060252	BOLT, M6X 25 PLATED		8						
85	2	26106-060402	BOLT, M6X 40 PLATED		2						
89	2	129946-61061	COVER, GOVERNOR CASE		1						
103	2	119653-77950	SOLENOID, STOP		1						



Remarks
*This figure(Governor)is incorporated
in the Fuel Injection Pump (Fig.14).

Fig.16. FUEL INJECTION VALVE

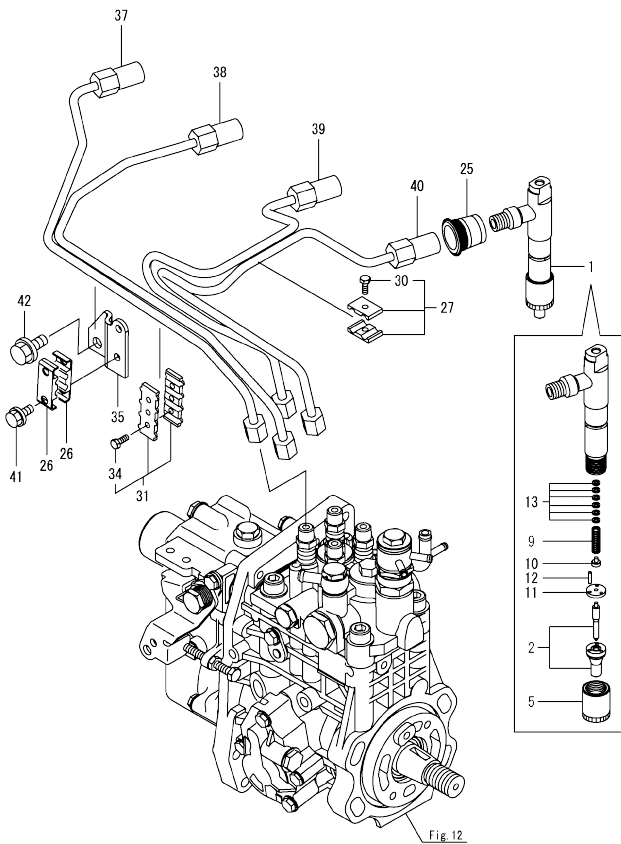


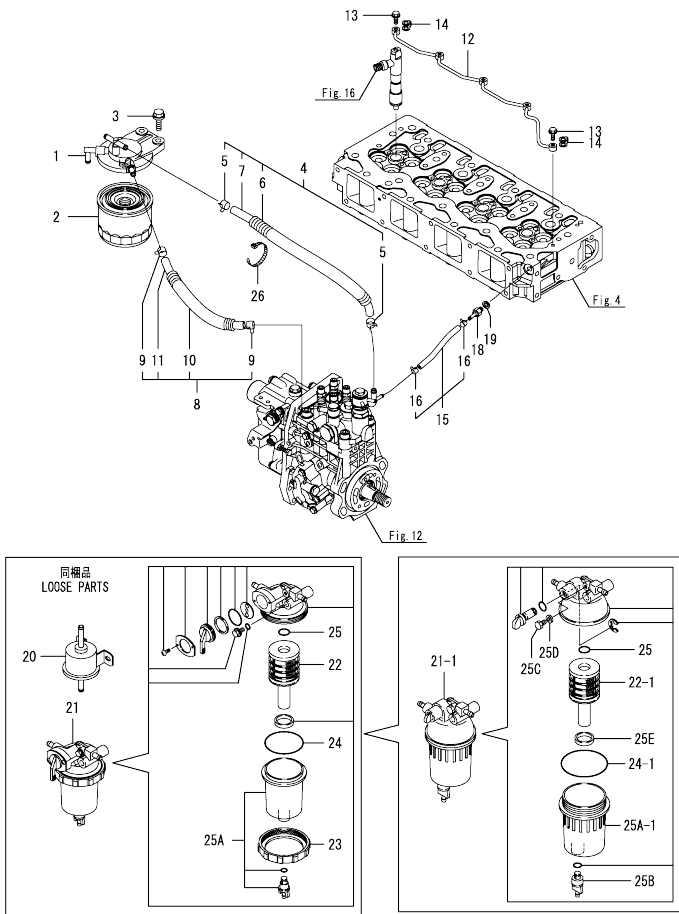
Fig.12

No.	Lev.	Parts No.	Description	Q'ty						I	R
				(A)	(B)	(C)	(D)	(E)	(F)		
1	1	729946-53300	FUEL INJECTOR ASSY	4	4						
2	2	129937-53000	NOZZLE ASSY, F.I.	4	4						
5	2	114250-53080	NUT, NOZZLE	4	4						
9	2	114250-53120	SPRING, NOZZLE	4	4						
10	2	114250-53130	SEAT, SPRING	4	4						
11	2	114250-53140	SPACER	4	4						
12	2	114250-53210	PIN	8	8						
13	2	114250-53400	SHIM SET	4							
13-1	2	119803-53400	SHIM SET	4	4						R
(A=ED2336)											
25	1	123907-11601	SEAL, PIPE	4	4						
26	1	122780-59100	RETAINER	2	2						
27	1	119305-59120	RETAINER, PIPE	1	1						
30	2	129150-59131	BOLT, M4X14	1	1						
31	1	129550-59120	RETAINER, PIPE	1	1						
34	2	129150-59131	BOLT, M4X14	2	2						
35	1	129907-59710	SUPPORT	1	1						
37	1	129907-59810	PIPE ASSY, INJECTION	1	1						
38	1	129907-59820	PIPE ASSY, INJECTION	1	1						
39	1	129907-59830	PIPE ASSY, INJECTION	1	1						
40	1	129907-59840	PIPE ASSY, INJECTION	1	1						
41	1	26106-060162	BOLT, M6X 16 PLATED	2	2						
42	1	26106-080182	BOLT, M8X 18 PLATED	1	1						

Fig.17. FUEL LINE

(A)=4TNV98-GGEP
(B)=4TNV98-IGEP
(C)=

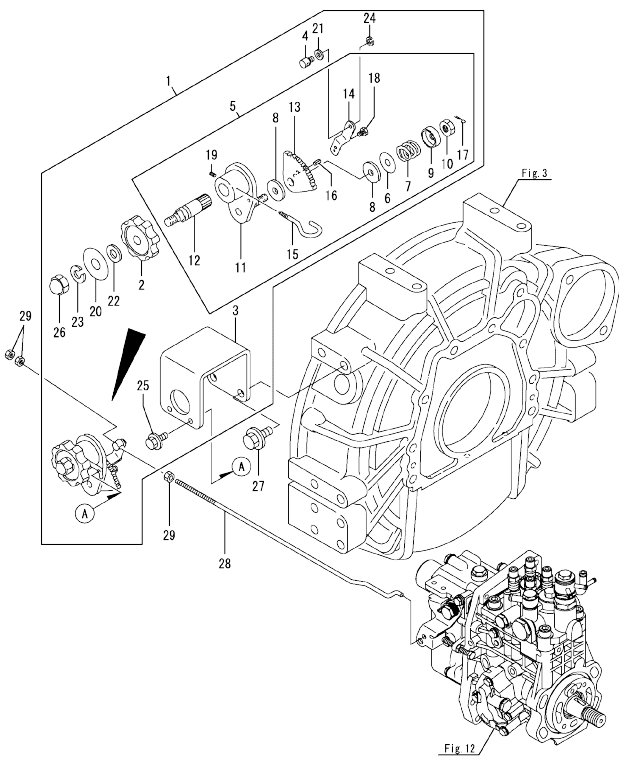
(D)=
(E)=
(F)=



No.	Lev.	Parts No.	Description	Q'ty						I	R
				(A)	(B)	(C)	(D)	(E)	(F)		
1	1	129004-55612	BRACKET, FILTER	1	1						
2	1	119802-55810	FILTER, FO	1	1						
3	1	26106-080302	BOLT, M8X 30 PLATED	2	2						
4	1	129457-59010	HOSE ASSY, FUEL	1	1						
5	2	124766-59050	CLAMP, HOSE 11.5	2	2						
6	2	129957-59120	TUBE, CORRUGATED 15	1	1						
7	2	105025-59750	HOSE, FUEL	1	1						
8	1	129981-59010	HOSE ASSY, FUEL	1	1						
9	2	124766-59050	CLAMP, HOSE 11.5	2	2						
10	2	129950-59221	TUBE, CORRUGATED 15	1	1						
11	2	129980-59510	HOSE, FUEL	1	1						
12	1	129907-59140	PIPE ASSY, RETURN	1	1						
13	1	123907-59540	BOLT, PIPE JOINT M6	5	5						
14	1	123907-59550	GASKET	5	5						
15	1	129486-59551	HOSE ASSY, RETURN	1	1						
16	2	124722-59050	CLAMP, HOSE 9	2	2						
18	1	123907-59560	JOINT, HOSE	1	1						
19	1	22190-080002	WASHER, SEAL 6	1	1						
20	1	119225-52102	PUMP, FUEL FEED	1	1						
21	1	119802-55700	SEPARATOR ASSY, WATER	1	1						
21-1	1	129242-55700	SEPARATOR ASSY, WATER	1	1						N
(A=E87882)											
21-2	1	129242-55701	SEPARATOR ASSY, WATER	1	1						N
(A=EXXXXXX)											
22	2	119802-55710	ELEMENT	1	1						
22-1	2	129242-55730	ELEMENT, FUEL	1	1						S
(A=E87882)											
23	2	129100-55690	RING, CUP RETAINING	1	1						Z
(A=E87882)											
24	2	24321-000650	O-RING, 1AG65.0	1	1						
24-1	2	24321-000750	O-RING, 1AG75.0	1	1						S
(A=E87882)											
25	2	24311-000160	O-RING, 1AP16.0	1	1						
25A	2	119802-55730	CUP ASSY, SEPARATOR	1	1						W
(A=FROM 1ST)											
25A-1	2	129242-55720	CUP, SEPARATOR	1	1						S
(A=E87882)											
25B	2	129242-55740	PLUG, DRAIN	1	1						W
(A=E87882)											
25C	2	129242-55750	VALVE, AIR VENT	1	1						W
(A=E87882)											
25D	2	129242-55760	GASKET, PLUG	1	1						W
(A=E87882)											
25E	2	129242-55770	FLOAT	1	1						W
(A=E87882)											
26	1	121750-59890	BAND, NYLON	1	1						

N:Old $\frac{100}{100}$ New, Q:Old $\frac{100}{100}$ New, R:Old $\frac{100}{100}$ New, S:Old $\frac{100}{100}$ New, W:Add, Z:Discontinued, F:Interchangeable by set, K:Q'ty Change
Copyright (C) YANMAR GLOBAL CS CO., LTD. All Rights Reserved.

Fig.18. ENGINE CONTROL DEVICE



(A)=4TNV98-GGEP
(B)=4TNV98-IGEP
(C)=

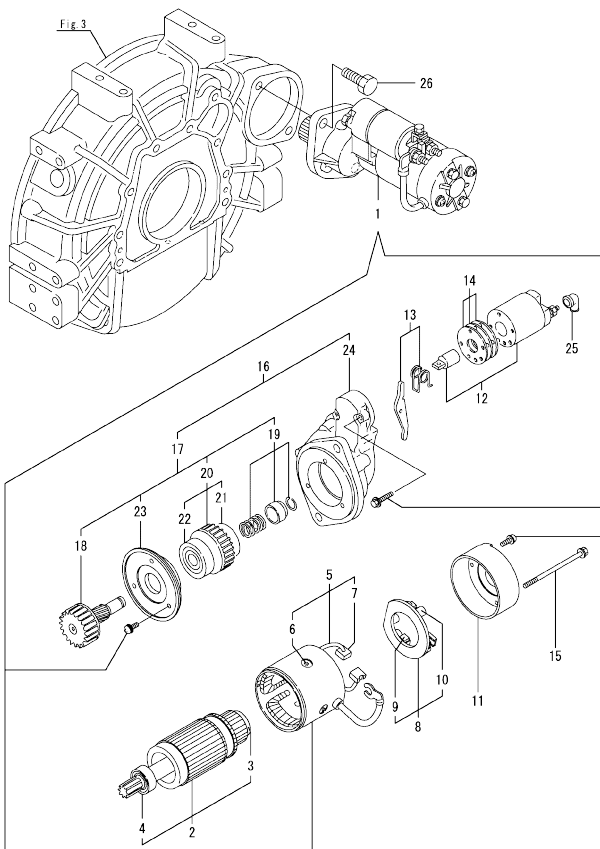
(D)=
(E)=
(F)=

No.	Lev.	Parts No.	Description	Qty						I	R
				(A)	(B)	(C)	(D)	(E)	(F)		
1	1	129915-66160	CONTROLLER ASSY	1	1						
2	2	126650-66020	HANDLE, REGULATOR	1	1						
3	2	170064-67100	BRACKET	1							
3-1	2	129907-67100	BRACKET, GOVERNOR	1	1						N
		(A=EXXXXX)									
4	2	119888-66130	PIVOT	1	1						
5	2	171048-67010	CONTROLLER ASSY	1	1						
6	3	171102-66080	WASHER	1	1						
7	3	104200-66820	SPRING	1	1						
8	3	104200-66831	PLATE, FRICTION	2	2						
9	3	104200-66850	WASHER	1	1						
10	3	104200-66860	NUT	1	1						
11	3	171085-67100	BRACKET	1	1						
12	3	171085-67110	SHAFT, DRIVE	1	1						
13	3	171085-67120	GEAR	1	1						
14	3	171048-67130	LEVER	1	1						
15	3	171048-67140	STOPPER	1	1						
16	3	22351-020006	PIN, SPRING 2.0X 6	1	1						
17	3	22411-200150	COTTER PIN	1	1						
18	3	26116-060082	BOLT, M6X 8 PLATED	1	1						
19	3	26921-050122	SCREW, M5X12	1	1						
20	2	170064-67210	LABEL, HANDLE	1	1						
21	2	22117-060000	WASHER, 6	1	1						
22	2	22137-100000	WASHER, 10	1	1						
23	2	22217-100000	WASHER, SPRING 10	1	1						
24	2	22272-000050	RING, E- 5	1	1						
25	2	26106-060102	BOLT, M6X 10 PLATED	2	2						
26	2	26657-100002	NUT, CAP M10	1	1						
27	1	26106-100202	BOLT, M10X 20 PLATED	2	2						
28	1	129946-66120	LINK, ENGINE CONTROL	1	1						
29	1	26756-050002	NUT, LOCK M5	3	3						

Remarks
* This Figure (Engine control device assy) is Optional parts.

OCR10-M65201 4TNV98-GGEP/-IGEP
Fig.19. STARTING MOTOR

OCR10-M65201 Fig.19



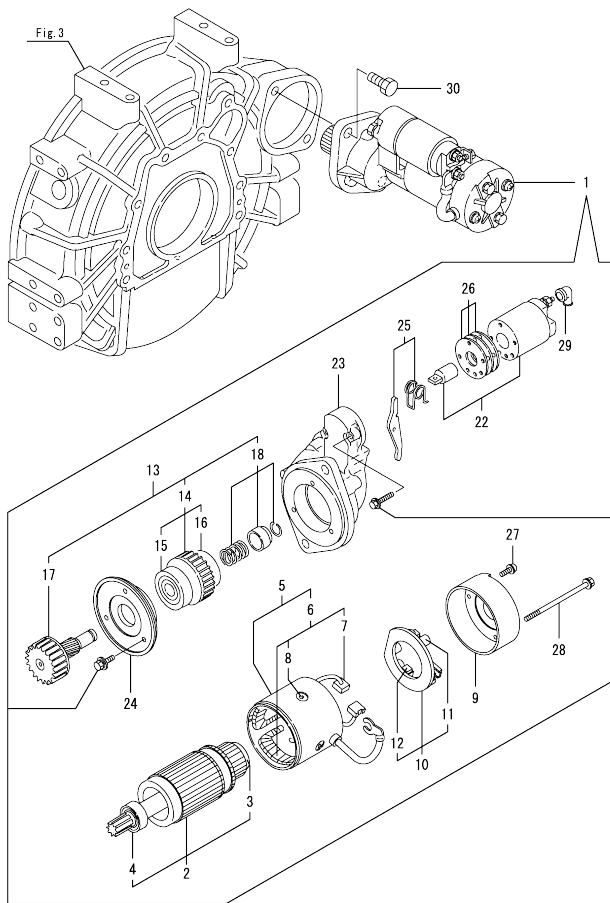
(A)=4TNV98-GGEP
 (B)=4TNV98-IGEP
 (C)=

(D)=
 (E)=
 (F)=

No.	Lev.	Parts No.	Description	Q'ty						I	R
				(A)	(B)	(C)	(D)	(E)	(F)		
1	1	129900-77010	STARTER ASSY	1							
1-1	1	129900-77040 (A=ED2336)	STARTER ASSY	1	1						R 1
2	2	129900-77400	ARMATURE ASSY	1							
3	3	X2114155110	BEARING, BALL	1							
4	3	X2114255110	BEARING, BALL	1							
5	2	129900-77440	COIL ASSY, FIELD	1							
6	3	171008-77450	SCREW, CORE SET	4							
7	3	129900-77450	BRUSH	2							
8	2	129900-77480	HOLDER ASSY, BRUSH	1							
9	3	129900-77450	BRUSH	2							
10	3	X2130631300	SPRING, BRUSH	4							
11	2	129900-77460	COVER	1							
12	2	129900-77591	SWITCH ASSY, MAGNET	1							
13	2	129900-77620	LEVER SET	1							
14	2	129900-77650	COVER KIT, DUST	1							
15	2	129900-77640	BOLT, THROUGH	2							
16	2	129900-77700	CASE ASSY, GEAR	1							
17	3	129900-77510	PINION ASSY,W/CLUTCH	1							
18	4	129900-77540	SHAFT, PINION	1							
19	4	129900-77550	STOPPER SET, PINION	1							
20	4	129900-77520	CLUTCH ASSY	1							
21	4	171008-77730	BEARING, BALL	1							
22	4	171008-77740	BEARING, BALL	1							
23	4	129900-77610	RETAINER, BEARING	1							
24	3	129900-77710	CASE, GEAR	1							
25	2	171008-77750	COVER, TERMINAL	1							
26	1	26116-120302	BOLT, M12X 30 PLATED	2							

Remarks
 (1) Refer to Fig.20.

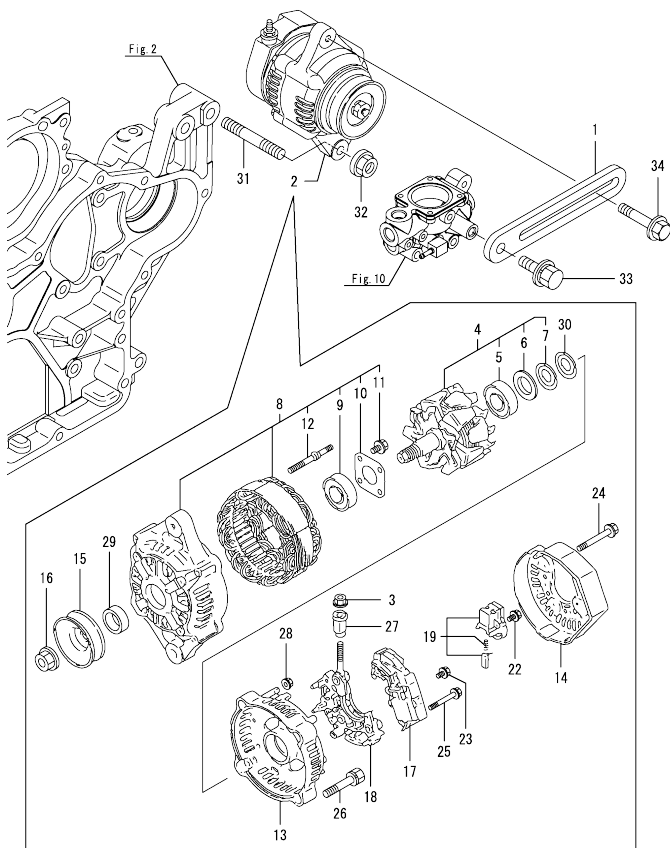
N:Old $\frac{100}{100}$ New, Q:Old $\frac{100}{100}$ New, R:Old $\frac{100}{100}$ New, S:Old $\frac{100}{100}$ New, W:Add, Z:Discontinued, F:Interchangeable by set, K:Q'ty Change
 Copyright (C) YANMAR GLOBAL CS CO., LTD. All Rights Reserved.



No.	Lev.	Parts No.	Description	Q'ty						I	R
				(A)	(B)	(C)	(D)	(E)	(F)		
1	1	129900-77040	STARTER ASSY	1	1						
2	2	129900-77120	ARMATURE ASSY	1	1						
3	3	171008-77410	BEARING, BALL	1	1						
4	3	171008-77420	BEARING, BALL	1	1						
5	2	129900-77130	YOKE ASSY	1	1						
6	3	129900-77140	COIL ASSY, FIELD	1	1						
7	4	129900-77450	BRUSH	2	2						
8	4	171008-77450	SCREW, CORE SET	4	4						
9	2	129900-77150	COVER	1	1						
10	2	129900-77160	HOLDER ASSY, BRUSH	1	1						
11	3	X2130631300	SPRING, BRUSH	4	4						
12	3	129900-77450	BRUSH	2	2						
13	2	129900-77170	CLUTCH ASSY	1	1						
14	3	129900-77180	CLUTCH ASSY	1	1						
15	4	129900-77190	BEARING, BALL	1	1						
16	4	X2114955020	BEARING, BALL	1	1						
17	3	129900-77270	SHAFT, PINION	1	1						
18	3	171008-77670	STOPPER SET, PINION	1	1						
22	2	129900-77280	SWITCH ASSY, MAGNET	1	1						
23	2	129900-77290	CASE, GEAR	1	1						
24	2	129900-77380	RETAINER, BEARING	1	1						
25	2	129900-77390	LEVER ASSY, SHIFT	1	1						
26	2	129900-77420	COVER KIT, DUST	1	1						
27	2	129900-77430	SCREW, M4X10	2	2						
28	2	129685-77640	BOLT, THROUGH	2	2						
29	2	171008-77750	COVER, TERMINAL	1	1						
30	1	26116-120302	BOLT, M12X 30 PLATED	2							
30-1	1	26106-120252	BOLT, M12X 25 PLATED	2	2						R

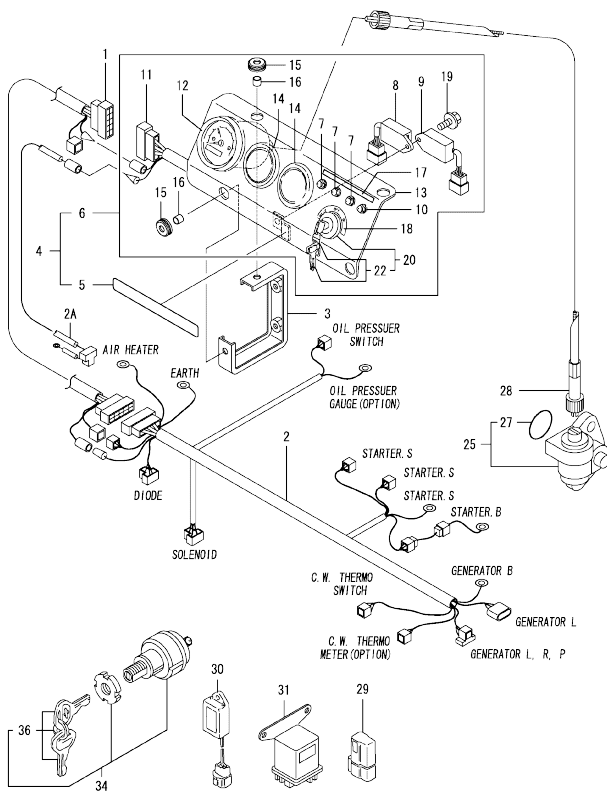
(A=EXXXXX)

Fig.21. GENERATOR



No.	Lev.	Parts No.	Description	Q'ty					
				(A)	(B)	(C)	(D)	(E)	(F)
1	1	129900-77330	ADJUSTER, BELT	1	1				
2	1	129423-77200	GENERATOR ASSY, 40A	1	1				
3	2	X9490561001	NUT	1	1				
4	2	119620-77380	ROTOR ASSY	1	1				
5	3	123501-79240	BEARING, BALL	1	1				
6	3	119620-79250	COVER, BEARING	1	1				
7	3	119620-79360	WASHER, THRUST	1	1				
8	2	119620-77421	FRAME ASSY, GENERATOR	1	1				
9	3	119620-79200	BEARING, BALL	1	1				
10	3	119620-79210	RETAINER	1	1				
11	3	119620-79220	SCREW	4	4				
12	3	119620-79230	BOLT, STUD	2	2				
13	2	119620-77440	FRAME ASSY	1	1				
14	2	129240-79300	COVER	1	1				
15	2	119620-77461	PULLEY, GENERATOR	1	1				
16	2	119620-77471	NUT	1	1				
17	2	129423-77710	REGULATOR ASSY	1	1				
18	2	119620-79260	HOLDER	1	1				
19	2	129052-79270	HOLDER, BRUSH	1	1				
22	2	119620-79290	SCREW	1	1				
23	2	119620-79300	SCREW	1	1				
24	2	119620-79310	BOLT	3	3				
25	2	119620-79320	SCREW	2	2				
26	2	119620-79330	BOLT	2	2				
27	2	119620-79340	BUSH, INSULATION	1	1				
28	2	119620-79350	NUT	2	2				
29	2	119620-77490	COLLAR	1	1				
30	2	119620-79360	WASHER, THRUST	1	1				
31	1	129795-01900	BOLT, STUD M10X33	1	1				
32	1	26306-100002	NUT, M10	1	1				
33	1	26014-080252	BOLT, M8X 25	1	1				
34	1	119810-77340	BOLT, ADJUST L=30	1	1				

OCR10-M65201 4TNV98-GGEP/-IGEP
 Fig.22. ELECTRIC PARTS

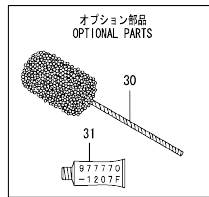
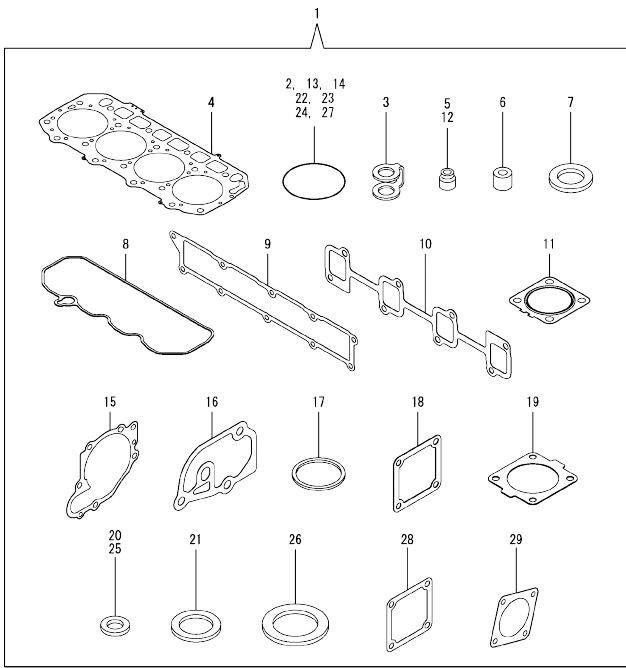


Remarks
 * This Figure (Electric parts assy)is
 Optional parts.

OCR10-M65201 Fig.22

No.	Lev.	Parts No.	Description	Q'ty						I	R
				(A)	(B)	(C)	(D)	(E)	(F)		
1	1	119946-91010	CORD, EXTENSION	1	1						
2	1	119888-91026	HARNES, WIRE	1							
2-1	1	119888-91027	HARNES, WIRE	1	1						N
2A	1	119946-91020	CORD, EXTENSION	1	1						W
(A=EXXXXX)											
3	1	119888-91120	SUPPORT	2	2						
4	1	119888-91302	PANEL ASSY	1	1						
5	2	104507-07190	LABEL, YANMAR	1	1						
6	2	119888-91321	PANEL ASSY	1	1						
7	3	124732-77720	LAMP, CHARGING	3	3						
8	3	128300-77920	TIMER	1	1						
9	3	129211-77920	TIMER	1	1						
10	3	124559-77971	LAMP, PILOT	1	1						
11	3	119888-91032	HARNES, WIRE	1	1						
12	3	171082-91100	TACHOMETER	1							
12-1	3	171082-91101	TACHOMETER	1	1						N
(A=EXXXXX)											
13	3	119888-91110	BODY, PANEL	1	1						
14	3	124770-91220	COVER	2	2						
15	3	121400-91520	ABSORBER	4	4						
16	3	121400-91530	SPACER	4	4						
17	3	119888-91610	LABEL, CW & OIL LAMP	1	1						
18	3	119888-91620	LABEL, KEY SWITCH	1	1						
19	3	26106-060102	BOLT, M6X 10 PLATED	1	1						
20	3	933110-00100	SWITCH ASSY, STARTER	1	1						
22	4	933110-00301	KEY ASSY	2	2						
25	1	129150-91400	GEAR	1	1						
27	2	24341-000240	O-RING, 1AS24.0	1	1						
28	1	124737-91420	CABLE, TACHOMETER	1	1						
29	1	119643-66900	DIODE	1	1						
30	1	129211-77920	TIMER	1	1						
31	1	119650-77910	RELAY ASSY, GLOW	1							
31-1	1	119650-77911	RELAY ASSY, GLOW	1	1						N
(A=EXXXXX)											
34	1	933110-00100	SWITCH ASSY, STARTER	1	1						
36	2	933110-00301	KEY ASSY	1	1						

Fig.23. GASKET SET



(A)=4TNV98-GGEP
(B)=4TNV98-IGEP
(C)=

(D)=
(E)=
(F)=

No.	Lev.	Parts No.	Description	Qty						I	R	
				(A)	(B)	(C)	(D)	(E)	(F)			
1	1	729946-92600	GASKET SET	1	1						1	
2	2	24341-000240	O-RING, 1AS24.0	1	1							
3	2	123907-59550	GASKET	5	5							
4	2	129907-01331	GASKET, HEAD	1	1							
5	2	124160-11340	SEAL, VALVE STEM	8	8							
6	2	119802-11870	PROTECTOR, NOZZLE	4	4							
7	2	119625-11880	SEAT, NOZZLE	4	4							
8	2	129907-11310	GASKET, BONNET	1								
8-1	2	129933-11310	GASKET, BONNET	1	1							N
(A=E76910)												
9	2	129907-12110	GASKET, MANIFOLD	1	1							
10	2	129900-13251	GASKET, EXH.MANIFOLD	1	1							
11	2	129930-13201	GASKET, SILENCER	1	1							
12	2	124950-11340	SEAL, VALVE STEM	8								
12-1	2	119803-11340	SEAL, VALVE STEM	8	8							N
(A=E37491)												
13	2	129900-32030	O-RING, P20	2	2							
14	2	129900-32040	O-RING, P14	1	1							
15	2	129900-42020	GASKET, WATER PUMP	1	1							
16	2	129900-49870	GASKET, THERMOSTAT	1	1							
17	2	121850-49550	GASKET, THERMOSTAT	1	1							
18	2	121850-77021	GASKET, AIR HEATER	1	1							
19	2	121850-49540	GASKET, THERMOSTAT	1	1							
20	2	23414-080000	GASKET, 8X1.0	1	1							
21	2	124465-44950	GASKET, 16	2	2							
22	2	24311-000070	O-RING, 1AP7.0	1	1							
23	2	24311-000120	O-RING, 1AP12.0	8	8							
24	2	24311-000320	O-RING, 1AP32.0	2	2							
25	2	22190-080002	WASHER, SEAL 6	6	6							
26	2	22190-220002	WASHER, SEAL 22	1	1							
27	2	24351-030750	O-RING, 1A3075	1	1							
28	2	119129-77020	GASKET	1	1							
29	2	124240-01883	GASKET	1	1							
30	1	129400-92450	HONE, FLEX	1	1							1
31	1	977770-1207F	GASKET, LIQUID	1	1							1

Remarks

(1)Optional parts.

Parts No. Index

Parts No.	Fig. No.	Ref. No.
104200-66820	18	7
104200-66831	18	8
104200-66850	18	9
104200-66860	18	10
104507-07190	22	5
105025-59750	17	7
114220-07130	6	22
114250-39450	9	14
114250-53080	16	5
114250-53120	16	9
114250-53130	16	10
114250-53140	16	11
114250-53210	16	12
114250-53400	16	13
119000-01840	3	3
119000-35140	9	5
119005-77050	5	15
119005-77051	5	15 -1
119129-77020	5	13
	23	28
119129-77520	5	16
119130-44760	10	17
119131-18320	6	6
119160-12530	5	9
	29	
119160-12540	5	10
	30	
119225-52102	17	20
119255-44660	11	15
119305-59120	16	27
119593-11301	4	27
119620-11180	4	12
119620-77380	21	4
119620-77421	21	8
119620-77440	21	13
119620-77461	21	15
119620-77471	21	16
119620-77490	21	29
119620-79200	21	9
119620-79210	21	10
119620-79220	21	11
119620-79230	21	12
119620-79250	21	6
119620-79260	21	18
119620-79290	21	22
119620-79300	21	23
119620-79310	21	24
119620-79320	21	25
119620-79330	21	26
119620-79340	21	27

Parts No.	Fig. No.	Ref. No.
119620-79350	21	28
119620-79360	21	7
		30
119625-11880	4	23
	23	7
119640-01640	3	7
119640-61400	4	58
119643-66900	22	29
119650-77910	22	31
119650-77911	22	31 -1
119653-77950	13	103
	15	103
119660-61901	13	59
	15	59
119746-42820	11	3 B
119802-11870	4	22
	23	6
119802-51590	12	64
	14	64
119802-51600	12	65
	14	65
119802-51680	12	69
	14	69
119802-51690	12	70
	14	70
119802-55700	17	21
119802-55710	17	22
119802-55730	17	25 A
119802-55810	17	2
119803-11340	4	13 -1
	23	12 -1
119803-53400	16	13 -1
119807-61420	13	24
	15	24
119810-77340	21	34
119853-49150	11	33
119888-66130	18	4
119888-91026	22	2
119888-91027	22	2 -1
119888-91032	22	11
119888-91110	22	13
119888-91120	22	3
119888-91302	22	4
119888-91321	22	6
119888-91610	22	17
119888-91620	22	18
119946-91010	22	1
119946-91020	22	2 A
120130-22301	8	20
120445-44530	11	5

Parts No.	Fig. No.	Ref. No.
120445-44540	11	6
121023-01551	2	41
121250-44901	10	37
121400-44640	11	24
121400-44650	11	14
121400-91520	22	15
121400-91530	22	16
121450-42450	10	36
121520-34810	9	2
121520-49160	11	34
121750-59890	17	26
121820-12590	5	11
121850-21130	8	10
121850-21290	8	4
121850-21680	8	9
121850-21920	8	5
121850-49540	10	20
	23	19
121850-49550	10	21
	23	17
121850-49810	10	23
121850-49811	10	23 -1
121850-77021	5	14
	23	18
121855-13821	6	12
121855-13830	6	13
122780-59100	16	26
123500-13840	6	14
123501-79240	21	5
123900-13610	6	4
123900-13630	6	5
123900-25060	7	9
123907-03100	4	52
123907-03110	4	53
123907-03120	4	54
123907-03140	4	55
123907-11280	4	32
123907-11550	4	1
123907-11601	16	25
123907-11820	4	19
123907-11830	4	18
123907-39500	9	20
123907-59540	17	13
123907-59550	17	14
	23	3
123907-59560	17	18
123925-13600	6	10
124160-01751	2	36
	4	47
124160-11340	4	14

Parts No.	Fig. No.	Ref. No.
124160-11340	23	5
124160-11360	4	61
124240-01871	2	38
124240-01883	2	39
	23	29
124411-01780	3	5
124465-44950	10	38
	23	21
124559-77971	22	10
124722-59050	10	43
	17	16
124732-77720	22	7
124737-91420	22	28
124766-59050	11	35
	17	5
	9	
124770-91220	22	14
124950-11340	4	13
	23	12
126650-12680	5	31
126650-66020	18	2
127410-21480	8	13
128300-13640	6	11
128300-77920	22	8
129001-91810	2	26
	27	
129004-55612	17	1
129005-59830	9	22
129008-51920	12	12
	14	12
129052-42290	10	14
129052-79270	21	19
129100-01580	2	5
	3	1
129100-55690	17	23
129107-44590	11	10
129150-02450	7	4
129150-11230	4	35
	39	
129150-11750	4	17
	36	
	40	
129150-14200	7	1
129150-25920	7	16
129150-35170	9	4
129150-59131	16	30
	34	
129150-91400	22	25

Parts No. Index

Parts No.	Fig. No.	Ref. No.	Parts No.	Fig. No.	Ref. No.	Parts No.	Fig. No.	Ref. No.	Parts No.	Fig. No.	Ref. No.
129155-51280	13	6	129900-23601	8	27	129900-77640	19	15	129907-42000	10	1
	15	6	129900-23611	8	30	129900-77650	19	14	129907-42001	10	1 -1
129155-61460	13	27	129900-23911	8	29	129900-77700	19	16	129907-44560	11	23
	15	27	129900-25100	7	10	129900-77710	19	24	129907-44600	11	11
129211-77920	22	9	129900-32001	2	10	129902-21000	8	1	129907-44610	11	12
		30	129900-32030	2	23	129906-51580	12	62	129907-49610	10	40
129240-79300	21	14		9	6		14	62	129907-49620	10	44
129242-55700	17	21 -1		23	13	129907-01190	1	29	129907-49710	10	41
129242-55701	17	21 -2	129900-32040	2	24	129907-01331	1	28	129907-49720	10	45
129242-55720	17	25 A-1		23	14		23	4	129907-49730	10	22
129242-55730	17	22 -1	129900-42020	10	11	129907-01500	2	8	129907-49750	10	42
129242-55740	17	25 B		23	15	129907-01950	12	134	129907-49800	10	18
129242-55750	17	25 C	129900-42461	10	15		14	134	129907-49800	10	18
129242-55760	17	25 D	129900-42462	10	15 -1	129907-01960	12	135	129907-51560	12	58
129242-55770	17	25 E	129900-49870	10	32		14	135		14	58
129247-07000	11	1		23	16	129907-03011	4	49	129907-59140	17	12
129247-07001	11	1 -1	129900-77010	19	1	129907-03061	4	50	129907-59710	16	35
129255-61410	13	23	129900-77040	19	1 -1	129907-03070	4	51	129907-59720	5	19
	15	23		20	1	129907-07900	4	64	129907-59810	16	37
129400-92450	23	30	129900-77120	20	2	129907-07900	4	64	129907-59820	16	38
129423-77200	21	2	129900-77130	20	5	129907-11100	4	9	129907-59830	16	39
129423-77710	21	17	129900-77140	20	6	129907-11110	4	10	129907-59840	16	40
129426-49150	11	33 -1	129900-77150	20	9	129907-11120	4	11	129907-67100	18	3 -1
129457-59010	17	4	129900-77160	20	10	129907-11250	4	29	129908-14581	7	3 -1
129486-59551	17	15	129900-77170	20	13	129907-11260	4	30	129915-01610	3	2
129508-44550	11	9	129900-77180	20	14	129907-11270	4	31	129915-66160	18	1
129509-51390	12	25	129900-77190	20	15	129907-11310	4	57	129916-01800	2	4 -1
	14	25	129900-77270	20	17		23	8	129916-21610	8	9 -1
129550-59120	16	31	129900-77280	20	22	129907-11320	4	48	129916-44740	10	16
129685-77640	20	28	129900-77290	20	23	129907-11321	4	48 -1	129916-49530	10	19
129795-01900	21	31	129900-77330	21	1	129907-11341	4	28	129916-59020	12	132
129900-01200	1	27	129900-77380	20	24	129907-11510	4	15		14	132
129900-01250	1	4	129900-77390	20	25	129907-11650	4	33	129920-21580	8	11
129900-01740	2	6	129900-77400	19	2	129907-11660	4	37	129927-42140	2	24 A
129900-01780	2	4	129900-77420	20	26	129907-11700	4	2	129928-51900	12	11
129900-01850	2	44	129900-77430	20	27	129907-11800	4	67		14	11
129900-01870	2	45	129900-77440	19	5	129907-11910	4	24	129930-13201	6	2
129900-02020	1	6	129900-77450	19	7	129907-11920	4	41			8
129900-02341	1	33		19	7	129907-11950	4	25		23	11
129900-02410	1	9		20	7	129907-12110	5	2	129933-11310	4	57 -1
129900-02931	1	24			12		23	9		23	8 -1
129900-02941	1	36	129900-77460	19	11	129907-13200	6	1	129933-12500	5	7
129900-13251	6	3	129900-77480	19	8	129907-13500	6	9	129935-12520	5	8
	23	10	129900-77510	19	17	129907-14400	7	2			28
129900-14100	7	6	129900-77520	19	20	129907-14581	7	3	129937-53000	16	2
129900-21200	8	3	129900-77540	19	18	129907-21660	8	7	129937-61440	13	26
129900-21640	8	8	129900-77550	19	19	129907-22050	8	16		15	26
129900-21660	8	7 -1	129900-77591	19	12	129907-22051	8	16 -1	129940-44500	11	8
129900-23001	8	22	129900-77610	19	23	129907-22090	8	14	129944-07910	4	65
129900-23200	8	26	129900-77620	19	13	129907-25900	7	15	129944-12110	5	1
						129907-39061	9	18	129944-12111	5	1 -1

Parts No. Index

Parts No.	Fig. No.	Ref. No.
129944-12230	5	5
129944-12620	5	12
129946-07000	11	50
129946-12500	5	27
129946-12550	5	6
129946-12600	5	23
129946-42800	11	2
129946-42801	11	2 -1
129946-42810	11	3
129946-42811	11	3 A
129946-42820	11	3 -1
129946-44500	11	7
129946-44800	11	16
129946-44900	11	25
129946-44920	11	26
129946-44921	11	26 -1
129946-44930	11	27
129946-44940	11	28
129946-44950	11	29
129946-44960	11	17
129946-44970	11	18
129946-44980	11	19
129946-44990	11	30
129946-61061	13	89
	15	89
129946-66120	18	28
129950-59221	17	10
129951-01740	2	6 -1
129953-25300	7	14
129953-34830	9	1
129953-35000	9	7
129957-59120	17	6
129960-21930	8	38
129960-21940	8	8 -1
129980-59510	17	11
129981-08030	11	46
129981-08040	11	47
129981-49050	11	31
129981-49060	11	32
129981-49061	11	32 -1
129981-49062	11	32 -2
129981-59010	17	8
129982-01710	3	6
144626-51090	12	13
	14	13
158552-51570	12	59
158552-51571	12	59 -1
	14	59
158552-51580	12	63
	14	63

Parts No.	Fig. No.	Ref. No.
158552-51670	12	130
	14	130
158552-51780	12	101
158552-51781	12	101 -1
	14	101
158552-52100	12	110
	14	110
158552-52310	12	112
158552-52311	12	112 -1
	14	112
158552-52400	12	113
	14	113
158552-52500	12	111
	14	111
158552-61900	13	75
	15	75
	12	56
158553-51551	14	56
	12	74
158553-51630	14	74
	12	76
158553-51640	14	76
	12	78
158553-51660	14	78
	12	68
158553-51670	14	68
	12	79
158553-51680	14	79
	12	104 -1
158553-51930	14	104
	12	60
158557-51570	14	60
	12	73
158560-51600	14	73
	13	3
158560-61050	15	3
	13	4
158560-61071	15	4
	13	25
158560-61430	15	25
	12	16
158563-51150	14	16
	12	23
158563-51281		24
	14	23
		24
158563-51330	12	34
	14	34
158600-51270	12	22
	14	22

Parts No.	Fig. No.	Ref. No.
158601-51550	12	57
	14	57
158601-51570	12	61
	14	61
158601-51650	12	77
	14	77
158601-51770	12	100
	14	100
158601-51790	12	102
	14	102
170064-67100	18	3
170064-67210	18	20
171008-77410	20	3
171008-77420	20	4
171008-77450	19	6
	20	8
171008-77670	20	18
171008-77730	19	21
171008-77740	19	22
171008-77750	19	25
	20	29
171048-67010	18	5
171048-67130	18	14
171048-67140	18	15
171051-01921	1	5
171056-49120	10	31
171082-91100	22	12
171082-91101	22	12 -1
171085-67100	18	11
171085-67110	18	12
171085-67120	18	13
171102-66080	18	6
22117-060000	18	21
22137-100000	18	22
22190-080002	9	15
		16
		23
	17	19
	23	25
22190-120002	12	105
		114
		115
	14	105
		114
		115
22190-160002	13	80
	15	80
22190-180002	12	106
		116
	14	106

Parts No.	Fig. No.	Ref. No.
22190-180002	14	116
22190-220002	3	9
	23	26
22217-100000	18	23
22217-180000	12	117
	14	117
22252-000300	8	21
22272-000050	18	24
22276-000060	11	3 C
22312-050140	12	118
	14	118
22351-020006	18	16
22351-050010	12	119
	14	119
22351-060012	1	10
22411-200150	18	17
22512-070140	7	7
	8	6
22857-500100	4	59
		60
23000-060000	11	36
23000-080000	5	20
		24
23000-090000	5	21
23000-102000	5	21 -1
23414-080000	10	33
	23	20
23857-030000	9	24
23857-060000	12	120
	14	120
23875-030000	10	27
23876-020000	4	6
23876-030000	1	11
		12
		13
	4	7
23887-120002	12	104
23887-160002	13	82
	15	82
24311-000070	2	25
	12	121
	14	121
	23	22
24311-000120	4	26
		62
	23	23
24311-000160	17	25
24311-000320	2	37
	4	63
	23	24

Parts No. Index

Parts No.	Fig. No.	Ref. No.
24321-000650	17	24
24321-000750	17	24 -1
24341-000240	2	42
	22	27
	23	2
24351-030750	2	28
	23	27
24356-010200	12	71
		122
24356-020210	12	123
24356-190200	12	71 -1
		122 -1
	14	71
		122
24356-240210	12	123 -1
	14	123
24372-000150	12	72
	14	72
25132-004100	10	14 -1
26014-060122	11	13
26014-080252	21	33
26106-060102	11	37
	12	124
	13	65
		66
	14	124
	15	65
		66
	18	25
	22	19
26106-060122	10	28
26106-060142	13	83
	15	83
26106-060162	2	43
	11	20
		38
	16	41
26106-060202	10	29
26106-060252	13	84
	15	84
26106-060302	10	12
26106-060352	12	125
	14	125
26106-060402	6	15
	13	85
	15	85
26106-080122	3	10
	9	3
		12
		17

Parts No.	Fig. No.	Ref. No.
26106-080122	10	34
26106-080162	2	29
		30
		40
		46
	4	66
	5	25
	7	8
	9	13
	11	21
		39
	12	136
	14	136
26106-080182	16	42
26106-080202	2	29 -1
		31
	5	22
	11	40
26106-080222	12	137
		138
	14	137
		138
26106-080252	6	19
	11	41
26106-080302	10	30
	17	3
26106-080402	2	32
		33
	4	43
	5	17
26106-080452	2	33 -1
		34
	5	3
26106-080552	7	13
	10	13
26106-080602	4	44
		45
	10	35
26106-080702	2	26 -1
		27 -1
	2	27 -2
26106-080752	5	4
26106-080802	5	18
26106-080902	5	18
26106-100182	5	26
26106-100202	11	42
	12	139
	14	139
	18	27
26106-100252	11	48
26106-100352	11	49

Parts No.	Fig. No.	Ref. No.
26106-100552	11	43
26106-120252	20	30 -1
26116-060082	18	18
26116-120302	19	26
	20	30
26206-100352	3	4
26216-100302	2	22
26226-080222	4	42
26306-080002	4	46
	6	7
		20
		21
	11	44 -1
26306-100002	2	35
	11	45 -1
	21	32
26347-040002	6	16
26347-060002	6	17
26366-080002	11	44
26366-100002	11	22
		45
26450-100452	12	126
	14	126
26557-040352	6	18
26657-100002	18	26
26756-050002	18	29
26756-060002	13	67
	15	67
26776-180002	12	127
	14	127
26921-050122	18	19
27241-300000	1	14
27241-400000	4	8
27310-070001	4	20
720445-44200	11	4
729900-02801	1	30
729907-01560	1	1
729907-01570	2	1
729907-01590	2	1 -1
729907-22910	8	32
729907-22950	8	34
729946-51320	14	1
729946-51390	12	1
729946-53300	16	1
729946-92600	23	1
933110-00100	22	20
		34
933110-00301	22	22
		36
977770-1207F	23	31

Parts No.	Fig. No.	Ref. No.
X2114155110	19	3
X2114255110	19	4
X2114955020	20	16
X2130631300	19	10
	20	11
X9490561001	21	3