

0CD10-M80200EN

# PREFACE

1. This parts catalog is the fast edition of 4TNNV98-VTBZ, 4TNNV98-XTBW, 4TNNV98-YTBL for Takeuchi Mfg. Co., Ltd.

Pub. No.: 000 Y00D8020  
Published: November.,2003

## 2. Model name

Engine model	Vehicle		Vehicle made by
	Products	Model name	
4TNNV98-VTBZ	EXCAVATOR	TB175 A14C	Takeuchi Mfg. Co., Ltd.
4TNNV98-XTBW	WHEEL EXCAVATOR	TB175W A14CW	
4TNNV98-YTBL	CRAWLER LOADER	TL130 L6A	

## Directions for the Parts Catalog.

- The parts stipulated in this Parts Catalog are not necessarily standard equipped parts.
- Parts may change without prior notice.
- The following is an example of the Parts Catalog format.

REF.	LEV.	PARTS NO.	DESCRIPTION	Q'TY						I	R
				(A)	(B)	(C)	(D)	(E)	(F)		
1	1	729595-51390	FUEL INJECTION PUMP	1	1	1	1	1			1
1-1	1	729595-51391	FUEL INJECTION PUMP	1	1	1	1	1		N	1
		(A=E00185) (B=E00200)									
3	2	26022-060162	SCREW M 6X 16	9	9	9	9	9			
3-1	2	26022-060162	SCREW M 6X 16	4	4	4	4	4		K	
		(A=E00156) (B=E00156) (C=E00156) (D=E00156) (E=E00156)									
4	2	129470-51040	CAMSHAFT	1	1	1	1	1			
5	2	122710-51050	BEARING, ROLLER	2	2	2	2	2			
6	2	129470-51060	RETAINER	1	1	1	1	1			

Remarks
(1) BOOST COMPEMSATOR TYPE. OPTIONAL PART, TO E00155,(4JH-DT, 4JH-DTZ

### ① Ref. No.

The Ref. No. listed may not be in accordance with the illustration Ref. No.

(Ex.) Illustration No.

List Ref No.

1 1 (Before change) → 1-1 (After change)

For interchangeable symbols N, R and K, illustrations for new parts may be abbreviated.

### ② Lev. (Level)

Level indication

The numbers below indicate the level of relativity towards the main part.

1 ---- Main parts (Assembly parts)

2 ---- Sub component included in " 1 ".

3 ---- Sub component included in " 2 ".

Note) Parts that are not for sale are partially illustrated but not listed.

### ③ Interchangeability Mark

When a part change takes place, one of the following interchangeability symbols is indicated beside the part.

Symbol	Interchangeability	Contents note
N	Old $\begin{matrix} \leftarrow \text{Yes} \\ \text{No} \rightarrow \end{matrix}$ New	New Part is interchangeable for Old Part but Old Part is not interchangeable for New Part.
Q	Old $\begin{matrix} \leftarrow \text{No} \\ \text{Yes} \rightarrow \end{matrix}$ New	New Part is not interchangeable for Old Part but Old Part is interchangeable for New Part.
R	Old $\begin{matrix} \leftarrow \text{Yes} \\ \text{Yes} \rightarrow \end{matrix}$ New	New/ Old Parts are both interchangeable.
S	Old $\begin{matrix} \leftarrow \text{No} \\ \text{No} \rightarrow \end{matrix}$ New	New/ Old Parts are both not interchangeable.
W		Part newly added.
Z		Part discontinued.
F		Not interchangeable by a single part but interchangeable together with related parts.
K		Changes only for used parts quantities.

### ④ Effective Machine No.

When a part changes, the effective Machine No. will be indicated in the (A)-(F) column.

Product Symbol	Product No.	Product Symbol	Product No.
C	Clutch No. Compressor No.	F	Machine No. (Agricultural Equip.)
D	Drive No.	M	Machine No.
E	Engine No.		

Note 1) A date may follow the symbol. (Ex.) 1996.01

Note 2) "XXXXX" and "ZZZZZ" are for parts that could not be predicted or for engine models that could not be identified.

Note 3) (A=E00185) is the E (Engine Serial Number) for the column (A) model (in this case 4JH-DT) after the parts design change.

### ⑤ Remarks Mark

Figures or alphabets (symbols) are entered in the remarks column.

The comments (remarks) on parts that are indicated at the bottom of the illustration are the same symbols as those stated above.

## Contents

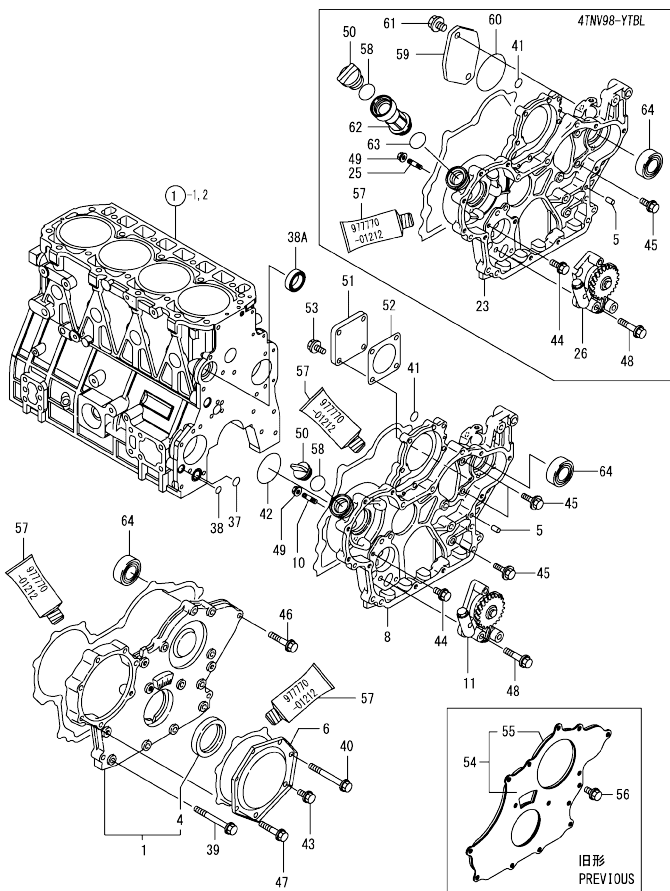
OCD10-M80200

Fig. No.	Fig. Name	Fig. No.	Fig. Name
ENGINE SECTION			
1.	CYLINDER BLOCK		
2.	GEAR HOUSING		
3.	FLYWHEEL HOUSING & OIL SUMP		
4.	CYLINDER HEAD & BONNET		
5.	SUCTION MANIFOLD & AIR CLEANER		
6.	EXHAUST MANIFOLD & SILENCER		
7.	CAMSHAFT & DRIVING GEAR		
8.	CRANKSHAFT & PISTON		
9.	LUB.OIL SYSTEM		
10.	LUB.OIL SYSTEM		
11.	LUB.OIL SYSTEM		
12.	COOLING WATER SYSTEM		
13.	RADIATOR		
14.	FUEL INJECTION PUMP		
15.	FUEL INJECTION VALVE		
16.	FUEL LINE		
17.	STARTING MOTOR		
18.	STARTING MOTOR		
19.	GENERATOR		
20.	GENERATOR		
21.	TOOL & GASKET SET		
22.	FUEL INJECTION PUMP(INNER PART		
23.	GOVERNOR(INNER PART		



OCD10-M80200 ENGINE SECTION  
Fig.2. GEAR HOUSING

OCD10-M80200 Fig.2



(A)=4TNV98-VTBZ  
(B)=4TNV98-XTBW  
(C)=4TNV98-YTBL

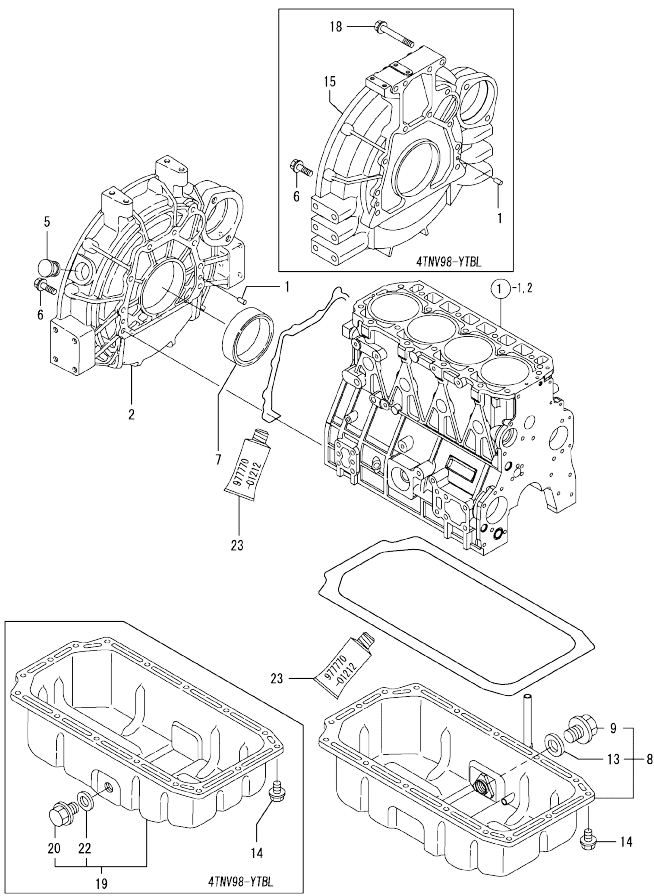
(D)=  
(E)=  
(F)=

No.	Lev.	Parts No.	Description	Q'ty						I	R
				(A)	(B)	(C)	(D)	(E)	(F)		
1	1	729907-01550	COVER ASSY, CASE	1	1	1					
4	2	129900-01780	SEAL, OIL	1	1	1					
5	1	129100-01580	PIN, PARALLEL 8X16	4	4	4					
6	1	129900-01740	COVER, PUMP TIMING	1	1	1					
8	1	129907-01500	CASE, GEAR	1	1	1					
10	1	26216-100302	STUD, M10X 30	4	4						
11	1	129900-32001	PUMP ASSY, OIL	1	1						
23	1	129962-01500	CASE, GEAR							1	
25	1	26216-100302	STUD, M10X 30							4	
26	1	129907-32009	PUMP ASSY, OIL							1	
37	1	129900-32030	O-RING, P20	1	1	1					
38	1	129900-32040	O-RING, P14	1	1	1					
38A	1	129927-42140	GASKET, PUMP OUTLET	1	1	1					W
(A=E101641)											
39	1	129001-91810	BOLT, M8X70	6	6	6					
40	1	129001-91810	BOLT, M8X70	1	1	1					
41	1	24311-000070	O-RING, 1AP7.0	1	1	1					
42	1	24351-030750	O-RING, 1A3075	1	1	1					
43	1	26106-080162	BOLT, M8X 16 PLATED	1	1	1					
44	1	26106-080162	BOLT, M8X 16 PLATED	1	1	1					
45	1	26106-080202	BOLT, M8X 20 PLATED	3	3	3					
46	1	26106-080402	BOLT, M8X 40 PLATED	5	5	5					
47	1	26106-080402	BOLT, M8X 40 PLATED	5	5	5					
48	1	26106-080452	BOLT, M8X 45 PLATED	3	3	3					
49	1	26306-100002	NUT, M10	4	4	4					
50	1	124160-01751	CAP, FILLER	1	1	1					
51	1	124240-01871	COVER, HYDRAULIC PUMP	1							
52	1	124240-01883	GASKET, PUMP	1							
53	1	26106-080162	BOLT, M8X 16 PLATED	4							
54	1	129900-01850	COVER ASSY, CASE	1	1	1					Z
(A=*2009.01) (B=*2009.01) (C=*2009.01)											
55	2	129900-01870	SPONGE, COVER	1	1	1					Z
(A=*2009.01) (B=*2009.01) (C=*2009.01)											
56	1	26106-080162	BOLT, M8X 16 PLATED	3	3	3					Z
(A=*2009.01) (B=*2009.01) (C=*2009.01)											
57	1	977770-01212	GASKET, LIQUID	1	1	1					1
58	1	24311-000320	O-RING, 1AP32.0	1	1	1					
59	1	121023-26070	COVER, PUMP							1	
60	1	24321-000850	O-RING, 1AG85.0							1	
61	1	26106-100202	BOLT, M10X 20 PLATED							2	
62	1	171031-11741	PIPE, FILLER							1	
63	1	24311-000320	O-RING, 1AP32.0							1	
64	1	129900-26250	BEARING, BALL 6206C3	2	2						

Remarks  
(1) OPTIONAL PART.

N:Old  $\frac{100}{100}$  New, Q:Old  $\frac{100}{100}$  New, R:Old  $\frac{100}{100}$  New, S:Old  $\frac{100}{100}$  New, W:Add, Z:Discontinued, F:Interchangeable by set, K:Qty Change  
Copyright (C) YANMAR GLOBAL CS CO., LTD. All Rights Reserved.

Fig.3. FLYWHEEL HOUSING & OIL SUMP



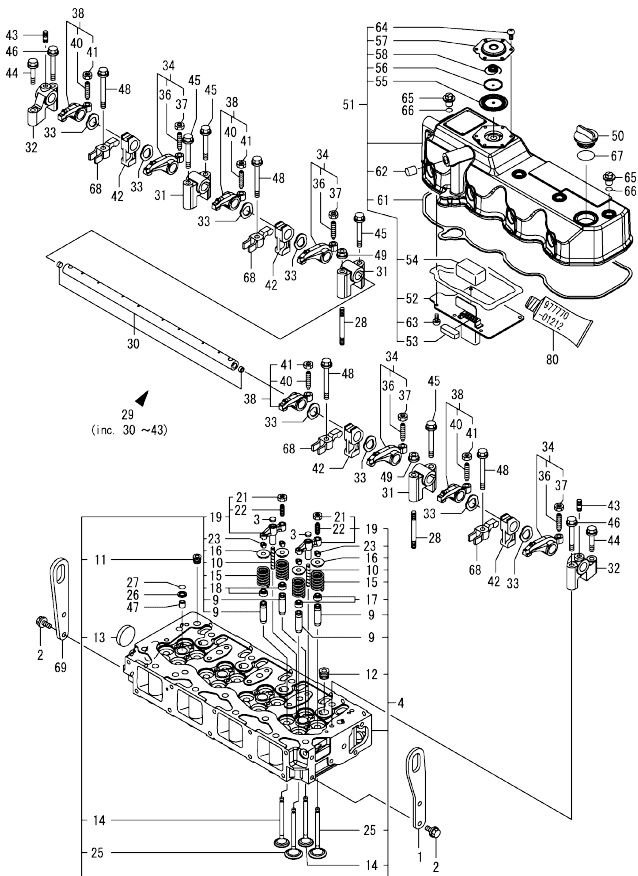
(A)=4TNV98-VTBZ  
(B)=4TNV98-XTBW  
(C)=4TNV98-YTBL

(D)=  
(E)=  
(F)=

No.	Lev.	Parts No.	Description	Q'ty						I	R
				(A)	(B)	(C)	(D)	(E)	(F)		
1	1	129100-01580	PIN, PARALLEL 8X16	2	2	2					
2	1	129951-01620	HOUSING, FLYWHEEL	1	1						
5	1	119000-01840	PLUG, RUBBER Z5	1	1						
6	1	26206-100352	BOLT, M10X 35 PLATED	9	9	9					
7	1	124411-01780	SEAL, HTC95X115X12	1	1	1					
8	1	129953-01730	OIL PAN ASSY	1	1						
9	2	119640-01640	PLUG, DRAIN M22	1	1						
13	2	22190-220002	WASHER, SEAL 22	1	1						
14	1	26106-080122	BOLT, M8X 12 PLATED	16	16	16					
15	1	129953-01620	HOUSING, FLYWHEEL								1
18	1	26206-100702	BOLT, M10X 70 PLATED								4
19	1	129902-01710	OIL PAN ASSY								1
20	2	119640-01640	PLUG, DRAIN M22								1
22	2	22190-220002	WASHER, SEAL 22								1
23	1	977770-01212	GASKET, LIQUID	1	1	1					1

Remarks  
(1) OPTIONAL PART.

Fig.4. CYLINDER HEAD & BONNET



(A)=4TNV98-VTBZ  
(B)=4TNV98-XTBW  
(C)=4TNV98-YTBL

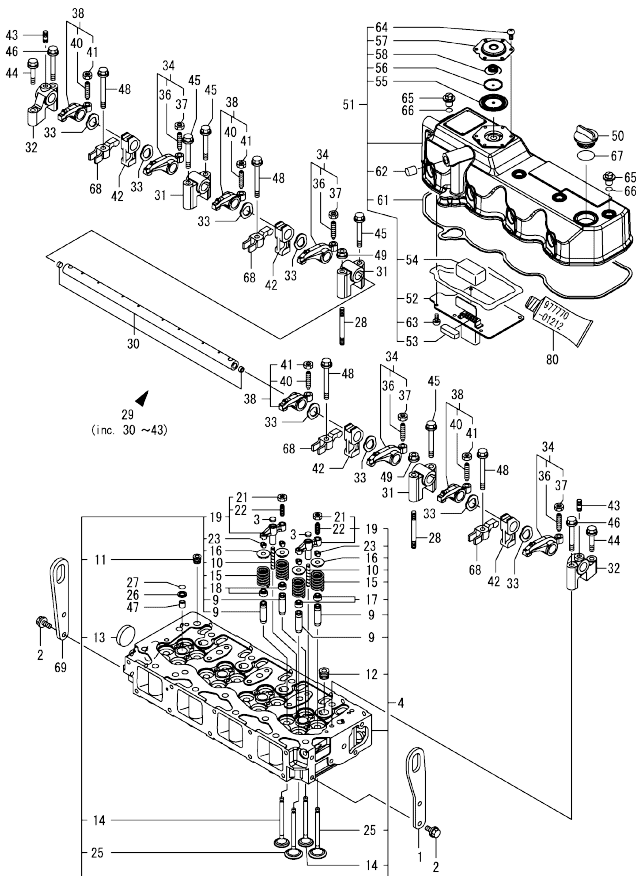
(D)=  
(E)=  
(F)=

No.	Lev.	Parts No.	Description	Q'ty						I	R
				(A)	(B)	(C)	(D)	(E)	(F)		
1	1	129907-07900	LIFTER, ENGINE	1	1	1					
2	1	26106-080162	BOLT, M8X 16 PLATED	4	4	4					
3	1	123907-11550	SEAT, VALVE BRIDGE	8	8	8					
4	1	129907-11700	HEAD ASSY, CYLINDER	1	1	1					1
9	2	129907-11800	GUIDE, VALVE	16	16	16					
10	2	123907-11820	GUIDE, BRIDGE	8	8	8					
11	2	23876-020000	PLUG, R02	1	1	1					
12	2	23876-030000	PLUG, R03	4	4	4					
13	2	27241-400000	PLUG, 40	1	1	1					
14	2	129907-11110	VALVE, EXHAUST	8	8	8					
15	2	129907-11120	SPRING, VALVE	16	16	16					
16	2	119620-11180	RETAINER, SPRING	16	16	16					
17	2	124160-11340	SEAL, VALVE STEM	8	8	8					
18	2	124950-11340	SEAL, VALVE STEM	8	8	8					
19	2	129907-11510	BRIDGE ASSY, VALVE	8	8	8					
21	3	129150-11750	NUT, M8XP1.0	8	8	8					
22	3	123907-11830	ADJUSTER, BRIDGE	8	8	8					
23	2	27310-070001	COTTER, 7	16	16	16					
25	2	129907-11100	VALVE, INTAKE	8	8	8					
26	1	119625-11880	SEAT, NOZZLE	4	4	4					
27	1	24311-000120	O-RING, 1AP12.0	4	4	4					
28	1	119593-11301	STUD, M8X80	2	2	2					
29	1	129907-11341	SUPPORT ASSY, ROCKER	1	1	1					
30	2	129907-11250	SHAFT, ROCKER ARM	1	1	1					
31	2	129907-11260	SUPPORT, ROCKER A	3	3	3					
32	2	129907-11270	SUPPORT, ROCKER B	2	2	2					
33	2	123907-11280	WASHER, WAVE	8	8	8					
34	2	129907-11650	ARM ASSY, ROCKER INT	4	4	4					
36	3	129150-11230	SCREW, VALVE ADJUST	4	4	4					
37	3	129150-11750	NUT, M8XP1.0	4	4	4					
38	2	129907-11660	ARM ASSY, ROCKER EXH	4	4	4					
40	3	129150-11230	SCREW, VALVE ADJUST	4	4	4					
41	3	129150-11750	NUT, M8XP1.0	4	4	4					
42	2	129907-11920	RETAINER, NOZZLE	4	4	4					
43	2	26226-080222	STUD, M8X 22	2	2	2					
44	1	26106-080402	BOLT, M8X 40 PLATED	2	2	2					
45	1	26106-080602	BOLT, M8X 60 PLATED	4	4	4					
46	1	26106-080602	BOLT, M8X 60 PLATED	2	2	2					
47	1	119802-11870	PROTECTOR, NOZZLE	4	4	4					
48	1	129907-11950	BOLT, VALVE HOLDER	4	4	4					
49	1	26306-080002	NUT, M8	2	2	2					
50	1	124160-01751	CAP, FILLER	1	1	1					
51	1	129907-11320	BONNET ASSY, HEAD	1	1	1					
52	2	129907-03010	PLATE, BAFFLE	1	1	1					
53	2	129907-03060	BAFFLE, BREATHER	1	1	1					
54	2	129907-03070	BAFFLE, BREATHER	1	1	1					
55	2	123907-03100	DIAPHRAGM, BREATHER	1	1	1					
56	2	123907-03110	PLATE, CENTER	1	1	1					
57	2	123907-03120	PLATE, BREATHER	1	1	1					
58	2	123907-03140	SPRING, DIAPHRAGM	1	1	1					
61	2	129907-11310	GASKET, BONNET	1	1	1					

Remarks  
(1) REPAIR PART.  
(2) OPTIONAL PART.



Fig.4. CYLINDER HEAD & BONNET



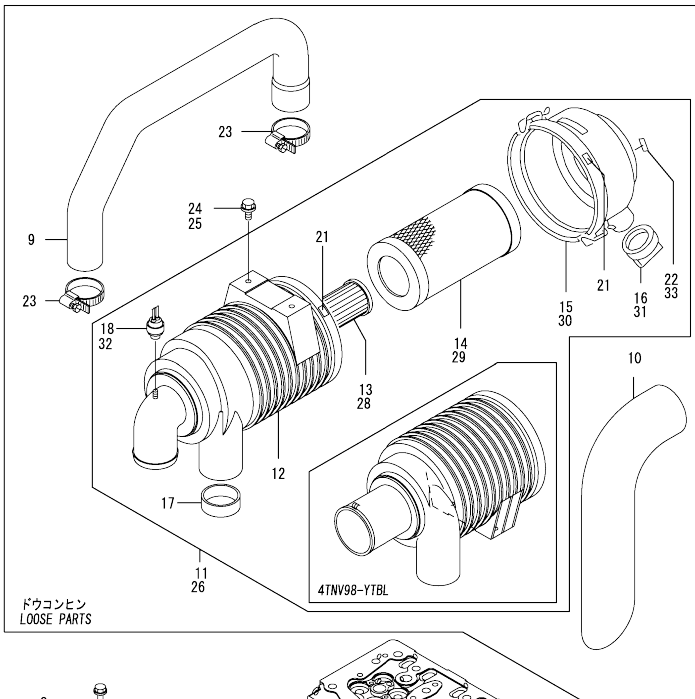
(A)=4TNV98-VTBZ  
(B)=4TNV98-XTBW  
(C)=4TNV98-YTBL

(D)=  
(E)=  
(F)=

No.	Lev.	Parts No.	Description	Q'ty						I	R
				(A)	(B)	(C)	(D)	(E)	(F)		
62	2	119640-61400	PLUG	1	1	1					
63	2	22857-500100	SCREW, 5X10	6	6	6					
64	2	22857-500100	SCREW, 5X10	6	6	6					
65	1	124160-11360	KNOB, BONNET	4	4	4					
66	1	24311-000120	O-RING, 1AP12.0	4	4	4					
67	1	24311-000320	O-RING, 1AP32.0	1	1	1					
68	1	129907-11910	RETAINER, NOZZLE	4	4	4					
69	1	129910-07900	LIFTER, ENGINE	1	1	1					
80	1	97770-01212	GASKET, LIQUID	1	1	1					2

Remarks  
(1) REPAIR PART.  
(2) OPTIONAL PART.

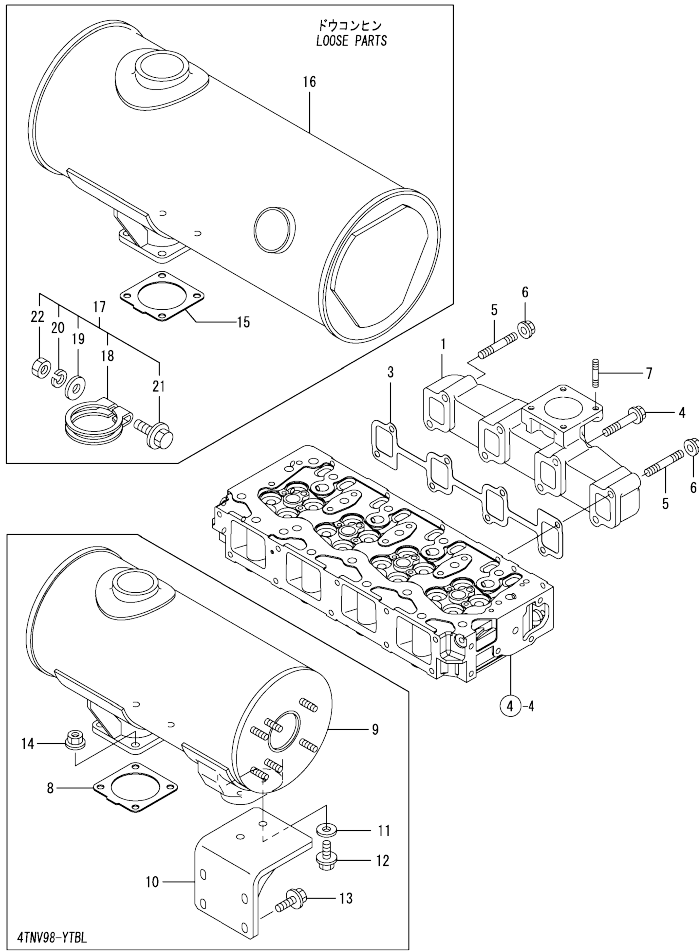
Fig.5. SUCTION MANIFOLD & AIR CLEANER



No.	Lev.	Parts No.	Description	Qty						I	R
				(A)	(B)	(C)	(D)	(E)	(F)		
1	1	129907-12100	MANIFOLD, INTAKE	1	1	1					
2	1	129907-12110	GASKET, MANIFOLD	1	1	1					
3	1	26106-080552	BOLT, M8X 55 PLATED	9	9	9					
4	1	26106-080852	BOLT, M8X 85 PLATED	1	1	1					
5	1	121850-77021	GASKET, AIR HEATER	1	1	1					
6	1	129953-77050	HEATER, AIR	1	1						
7	1	129915-77050	HEATER, AIR 12V							1	
8	1	26106-080352	BOLT, M8X 35 PLATED	4	4	4					
9	1	129953-12210	HOSE, AIR INTAKE	1	1						
10	1	129953-12250	HOSE, AIR INTAKE	1	1						
11	1	129953-12502	CLEANER ASSY, AIR	1	1						
12	2	129953-12570	BODY, AIR CLEANER	1	1						
13	2	119005-12571	ELEMENT, INNER	1	1						
14	2	129062-12560	ELEMENT, AIR CLEANER	1	1						
15	2	129900-12530	COVER ASSY, CLEANER	1	1						
16	2	119808-12540	VALVE, UNLOADER	1	1						
17	2	129418-12540	RING	1	1						
18	2	129953-12610	INDICATOR ASSY, LOW	1	1						
21	2	129418-12530	LABEL, ARROW MARK	2	2						
22	2	129612-12650	LABEL, MARKING	1	1						
23	1	23000-080000	CLAMP, 80	3	3						
24	1	26106-080162	BOLT, M8X 16 PLATED	2	2						
25	1	26106-080202	BOLT, M8X 20 PLATED							2	
26	1	129944-12520	CLEANER ASSY, AIR							1	
28	2	119160-12570	ELEMENT, INNER							1	
29	2	129935-12520	ELEMENT, OUTER							1	
30	2	119160-12530	COVER ASSY, CLEANER							1	
31	2	119160-12540	VALVE, VACUATOR							1	
32	2	119140-12680	INDICATOR, CLEANER							1	
33	2	129612-12650	LABEL, MARKING							1	

N:Old  $\frac{100}{100}$  New, Q:Old  $\frac{100}{100}$  New, R:Old  $\frac{100}{100}$  New, S:Old  $\frac{100}{100}$  New, W:Add, Z:Discontinued, F:Interchangeable by set, K:Qty Change  
 Copyright (C) YANMAR GLOBAL CS CO., LTD. All Rights Reserved.

Fig.6. EXHAUST MANIFOLD & SILENCER

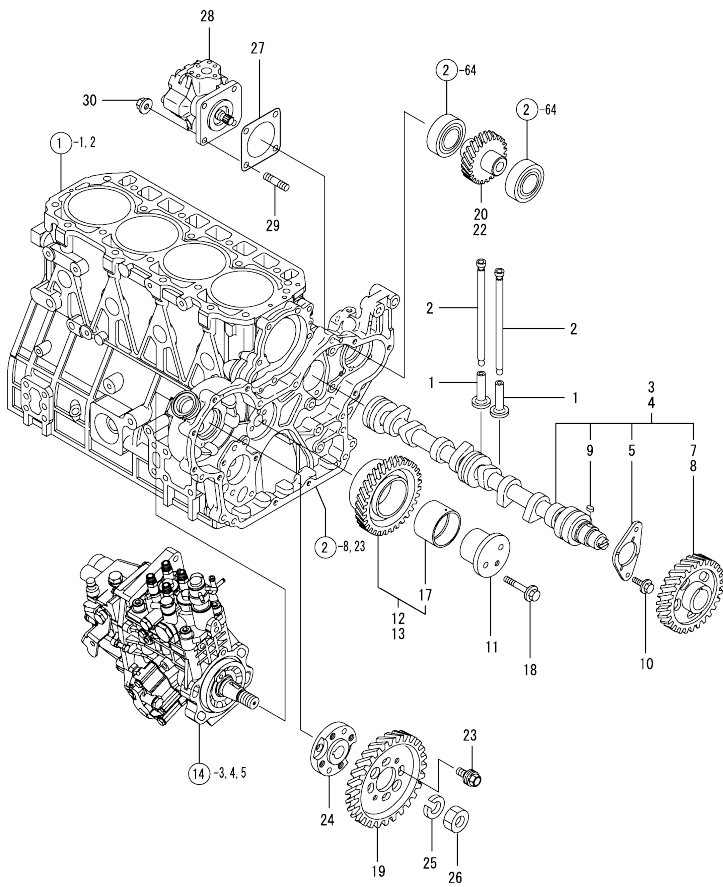


(A)=4TNV98-VTBZ  
(B)=4TNV98-XTBW  
(C)=4TNV98-YTBL

(D)=  
(E)=  
(F)=

No.	Lev.	Parts No.	Description	Q'ty						I	R
				(A)	(B)	(C)	(D)	(E)	(F)		
1	1	129900-13200	MANIFOLD, EXHAUST	1	1	1					
3	1	129900-13251	GASKET, MANIFOLD	1	1	1					
4	1	123900-13630	BOLT, M8X80	6	6	6					
5	1	123900-13610	STUD, M8X80	2	2	2					
6	1	26306-080002	NUT, M8	2	2	2					
7	1	119131-18320	STUD, M8X22	4	4	4					
8	1	129930-13200	GASKET, SILENCER							1	
9	1	129944-13520	SILENCER							1	
10	1	129944-13660	STAY, SILENCER							1	
11	1	22157-080000	WASHER, 8							2	
12	1	26106-080162	BOLT, M8X 16 PLATED							2	
13	1	26106-080202	BOLT, M8X 20 PLATED							4	
14	1	26306-080002	NUT, M8							4	
15	1	129930-13200	GASKET, SILENCER	2	2	1					
16	1	129940-13500	SILENCER	1	1						
17	1	129640-13590	CLAMP ASSY	1	1						
18	2	129640-13580	CLAMP	1	1						
19	2	22117-100000	WASHER, 10	1	1						
20	2	22217-100000	WASHER, SPRING 10	1	1						
21	2	26106-100652	BOLT, M10X 65 PLATED	1	1						
22	2	26706-100002	NUT, M10	1	1						

Fig.7. CAMSHAFT & DRIVING GEAR



(A)=4TNV98-VTBZ  
(B)=4TNV98-XTBW  
(C)=4TNV98-YTBL

(D)=  
(E)=  
(F)=

No.	Lev.	Parts No.	Description	Q'ty						I	R
				(A)	(B)	(C)	(D)	(E)	(F)		
1	1	129150-14200	TAPPET	8	8	8					
2	1	129907-14400	ROD, PUSH	8	8	8					
3	1	129907-14581	CAMSHAFT ASSY	1	1						
3-1	1	129908-14581	CAMSHAFT ASSY	1	1						N
4	1	129907-14590	CAMSHAFT ASSY								1
4-1	1	129908-14590	CAMSHAFT ASSY								N
5	2	129150-02450	METAL, THRUST	1	1	1					
7	2	129900-14100	GEAR, CAMSHAFT	1	1						
8	2	129900-14110	GEAR, CAMSHAFT								1
9	2	22512-070140	KEY, 7X 14	1	1	1					
10	1	26106-080162	BOLT, M8X 16 PLATED	2	2	2					
11	1	123900-25060	SHAFT, IDLE GEAR	1	1	1					
12	1	129900-25100	GEAR ASSY, IDLE	1	1						
13	1	129900-25110	GEAR ASSY, IDLE								1
17	2	129150-25920	BUSH, IDLE GEAR	1	1	1					
18	1	26106-080552	BOLT, M8X 55 PLATED	3	3	3					
19	1	123907-25909	GEAR, PUMP	1	1	1					
20	1	129900-26020	GEAR ASSY, PUMP								1
22	1	129900-26210	GEAR, PUMP								1
23	1	129953-25300	BOLT, PUMP BODY	4	4	4					
24	1	158563-51150	FLANGE	1	1	1					
25	1	22217-180000	WASHER, SPRING 18	1	1	1					
26	1	26776-180002	NUT, LOCK M18	1	1	1					
27	1	124240-01883	GASKET, PUMP								1
28	1	129953-26010	PUMP ASSY, GPW1-C-4A								1
29	1	26216-080202	STUD, M8X 20								4
30	1	26306-080002	NUT, M8								4

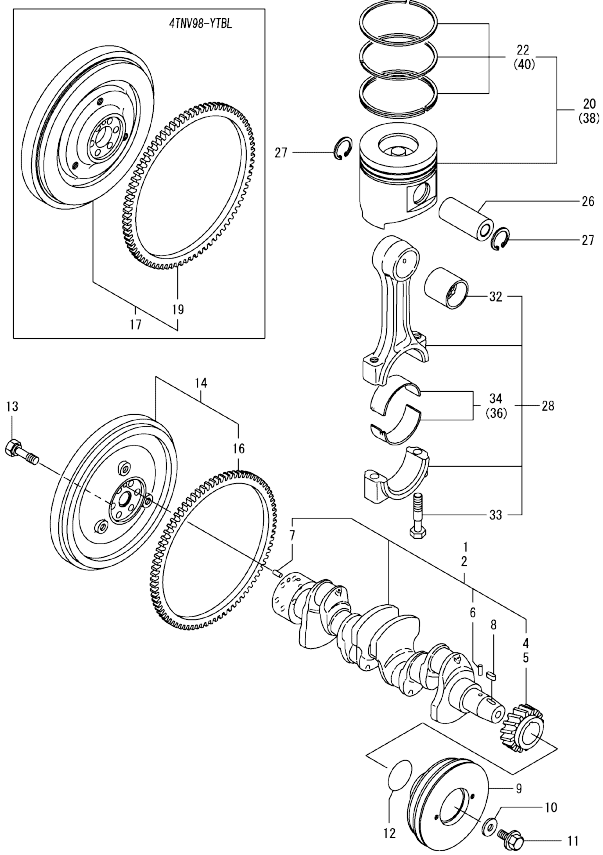
Remarks  
(1) REPAIR PART.

N:Old  $\frac{100}{100}$  New, Q:Old  $\frac{100}{100}$  New, R:Old  $\frac{100}{100}$  New, S:Old  $\frac{100}{100}$  New, W:Add, Z:Discontinued, F:Interchangeable by set, K:Qty Change  
Copyright (C) YANMAR GLOBAL CS CO., LTD. All Rights Reserved.

Fig.8. CRANKSHAFT & PISTON

(A)=4TNV98-VTBZ  
(B)=4TNV98-XTBW  
(C)=4TNV98-YTBL

(D)=  
(E)=  
(F)=



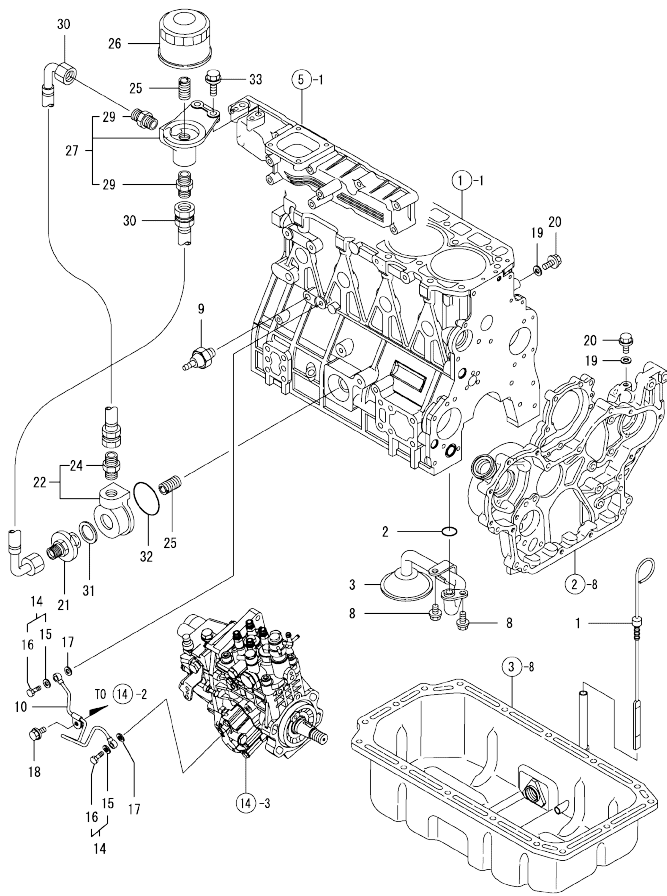
No.	Lev.	Parts No.	Description	Q'ty						I	R
				(A)	(B)	(C)	(D)	(E)	(F)		
1	1	129902-21000	CRANKSHAFT ASSY	1	1						
2	1	129902-21050	CRANKSHAFT ASSY				1				
4	2	129900-21200	GEAR, CRANKSHAFT	1	1						
5	2	129900-21220	GEAR, CRANKSHAFT					1			
6	2	121850-21290	PIN, CRANK GEAR	1	1						
7	2	121850-21920	PIN, PARALLEL 10X22	1	1						
8	1	22512-070140	KEY, 7X 14	1	1						
9	1	129916-21650	V-PULLEY, CRANKSHAFT	1	1						
10	1	129960-21640	WASHER	1	1						
11	1	121850-21680	BOLT, V-PULLEY	1	1						
12	1	24341-000530	O-RING, 1AS53.0	1	1						
13	1	121850-21130	BOLT, FLYWHEEL	6	6						
14	1	129902-21580	FLYWHEEL ASSY	1	1						
16	2	127410-21480	GEAR, RING Z=129	1	1						
17	1	129953-21570	FLYWHEEL ASSY							1	
19	2	129900-21600	GEAR, RING								1
20	1	129907-22090	PISTON ASSY, 18.5	4	4						4
22	2	129907-22050	RING SET, PISTON	4	4						4
26	1	120130-22301	PIN, PISTON	4	4						4
27	1	22252-000300	RING, 30	8	8						8
28	1	129900-23000	ROD ASSY, CONNECTING	4	4						4
32	2	129900-23910	BEARING, PISTON PIN	4	4						4
33	2	129900-23200	BOLT, CONNECTING ROD	8	8						8
34	2	129900-23600	METAL ASSY, CRANK PIN	4	4						4
36	1	129900-23610	METAL ASSY, PIN .25	4	4						4
38	1	729907-22910	PISTON ASSY, 0.25 OS	4	4						4
40	2	729907-22950	RING SET, PISTON .25	4	4						4

Remarks

- (1) REPAIR PART.
- (2) UNDER-SIZE(U.S=0.25)PART.
- (3) OVER-SIZE(O.S=0.25)PART.

OCD10-M80200 ENGINE SECTION  
 Fig.9. LUB.OIL SYSTEM

OCD10-M80200 Fig.9



(A)=4TNV98-VTBZ  
 (B)=4TNV98-XTBW  
 (C)=4TNV98-YTBL

(D)=  
 (E)=  
 (F)=

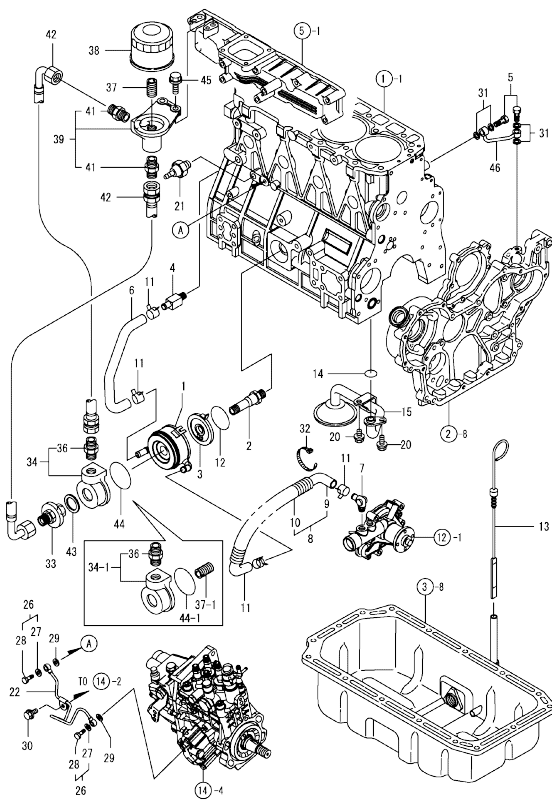
No.	Lev.	Parts No.	Description	Q'ty						I	R
				(A)	(B)	(C)	(D)	(E)	(F)		
1	1	119812-34800	DIPSTICK, OIL	1							
2	1	129900-32030	O-RING, P20	1							
3	1	129900-35000	PIPE ASSY, OIL INLET	1							
8	1	26106-080122	BOLT, M8X 12 PLATED	2							
9	1	114250-39450	SWITCH, HYDRAULIC	1							
10	1	129907-39061	PIPE ASSY, OIL	1							
14	1	129005-59830	BOLT ASSY, JOINT M8	2							
15	2	22190-080002	WASHER, SEAL 8	2							
16	2	23857-030000	BOLT, JOINT 3	2							
17	1	22190-080002	WASHER, SEAL 8	2							
18	1	26106-080122	BOLT, M8X 12 PLATED	1							
19	1	22190-080002	WASHER, SEAL 8	2							
20	1	26106-080122	BOLT, M8X 12 PLATED	2							
21	1	129953-35110	RETAINER, CASE	1							
22	1	129953-35121	CASE ASSY	1							
24	2	129953-39500	ADAPTER, R-G1/2	1							
25	1	119000-35140	BOLT, FILTER	2							
26	1	129150-35153	FILTER ASSY, D80X80L	1							1
27	1	129953-35210	BRACKET ASSY, FILTER	1							
29	2	129953-39500	ADAPTER, R-G1/2	2							
30	1	129953-39100	PIPE ASSY, OIL	2							
31	1	22190-300002	WASHER, SEAL 30	1							
32	1	24321-000600	O-RING, 1AG60.0	1							
33	1	26106-100252	BOLT, M10X 25 PLATED	2							

Remarks  
 (1) REPAIR PART.

N:Old  $\frac{100}{100}$  New, Q:Old  $\frac{100}{100}$  New, R:Old  $\frac{100}{100}$  New, S:Old  $\frac{100}{100}$  New, W:Add, Z:Discontinued, F:Interchangeable by set, K:Qty Change  
 Copyright (C) YANMAR GLOBAL CS CO., LTD. All Rights Reserved.

OCD10-M80200 ENGINE SECTION  
 Fig.10. LUB.OIL SYSTEM

OCD10-M80200 Fig.10



(A)=4TNV98-VTBZ  
 (B)=4TNV98-XTBW  
 (C)=4TNV98-YTBL

(D)=  
 (E)=  
 (F)=

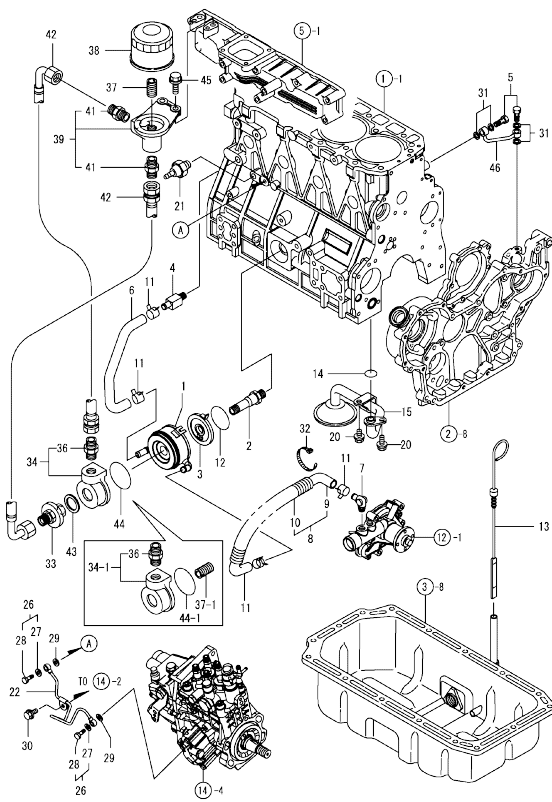
No.	Lev.	Parts No.	Description	Q'ty						I	R	
				(A)	(B)	(C)	(D)	(E)	(F)			
1	1	129908-33010 (B=EZZZZZ)	COOLER ASSY, OIL		1						Z	
2	1	123912-33100 (B=EZZZZZ)	BOLT, COOLER		1						Z	
3	1	129908-33100 (B=EZZZZZ)	BRACKET, OIL COOLER		1						Z	
4	1	129006-44480 (B=EZZZZZ)	JOINT, R02		1						Z	
5	1	105010-39140	BOLT, PIPE JOINT M8		2							
6	1	129944-49059 (B=EZZZZZ)	PIPE, BLOCK-COOLER		1						Z	
7	1	129466-49300 (B=EZZZZZ)	ELBOW, PT3/8		1						Z	
8	1	123910-49600 (B=EZZZZZ)	HOSE ASSY, WATER		1						Z	
9	2	123910-49020 (B=EZZZZZ)	HOSE ASSY, WATER		1						Z	
10	2	123910-49610 (B=EZZZZZ)	TUBE, CORRUGATED		1						Z	
11	1	23000-025000 (B=EZZZZZ)	CLAMP, 25		4						Z	
12	1	24321-000600 (B=EZZZZZ)	O-RING, 1AG60.0		1						Z	
13	1	119812-34800	DIPSTICK, OIL		1							
14	1	129900-32030	O-RING, P20		1							
15	1	129900-35000	PIPE ASSY, OIL INLET		1							
20	1	26106-080122	BOLT, M8X 12 PLATED		2							
21	1	114250-39450	SWITCH, HYDRAULIC		1							
22	1	129907-39061	PIPE ASSY, OIL		1							
26	1	129005-59830	BOLT ASSY, JOINT M8		2							
27	2	22190-080002	WASHER, SEAL 8		2							
28	2	23857-030000	BOLT, JOINT 3		2							
29	1	22190-080002	WASHER, SEAL 8		2							
30	1	26106-080122	BOLT, M8X 12 PLATED		1							
31	1	22190-080002	WASHER, SEAL 8		4							
32	1	121750-59890 (B=EZZZZZ)	BAND, NYLON		1						Z	
33	1	129953-35110	RETAINER, CASE		1							
34	1	123945-35110	CASE ASSY, OIL		1							
34-1	1	129953-35121 (B=EZZZZZ)	CASE ASSY		1						S	2
36	2	129953-39500	ADAPTER, R-G1/2		1							
37	1	119000-35140	BOLT, FILTER		1							
37-1	1	119000-35140 (B=EZZZZZ)	BOLT, FILTER		2						K	2
38	1	129150-35153	FILTER ASSY, D80X80L		1							1
38-1	1	129150-35160 (B=EZZZZZ)	FILTER, D80XL80		1							S
39	1	129953-35210	BRACKET ASSY, FILTER		1							
41	2	129953-39500	ADAPTER, R-G1/2		2							
42	1	129953-39100	PIPE ASSY, OIL		2							

Remarks  
 (1)Repair part.  
 (2)Interchangeable by simultaneous replacement with No.34-1, No.37-1 and No.44-1.

N:Old  $\frac{100}{100}$  New, Q:Old  $\frac{100}{100}$  New, R:Old  $\frac{100}{100}$  New, S:Old  $\frac{100}{100}$  New, W:Add, Z:Discontinued, F:Interchangeable by set, K:Q'ty Change  
 ++ CONTINUE ++  
 Copyright (C) YANMAR GLOBAL CS CO., LTD. All Rights Reserved.

OCD10-M80200 ENGINE SECTION  
 Fig.10. LUB.OIL SYSTEM

OCD10-M80200 Fig.10



(A)=4TNV98-VTBZ  
 (B)=4TNV98-XTBW  
 (C)=4TNV98-YTBL

(D)=  
 (E)=  
 (F)=

No.	Lev.	Parts No.	Description	Q'ty						I	R
				(A)	(B)	(C)	(D)	(E)	(F)		
42-1	1	129953-39101 (B=EZZZZZ)	HOSE ASSY, OIL		2						S
43	1	22190-300002	WASHER, SEAL 30			1					
44	1	24321-000700	O-RING, 1AG70.0			1					
44-1	1	24321-000600 (B=EZZZZZ)	O-RING, 1AG60.0			1					S 2
45	1	26106-100252	BOLT, M10X 25 PLATED			2					
46	1	129930-39050	PIPE, HO PUMP			1					

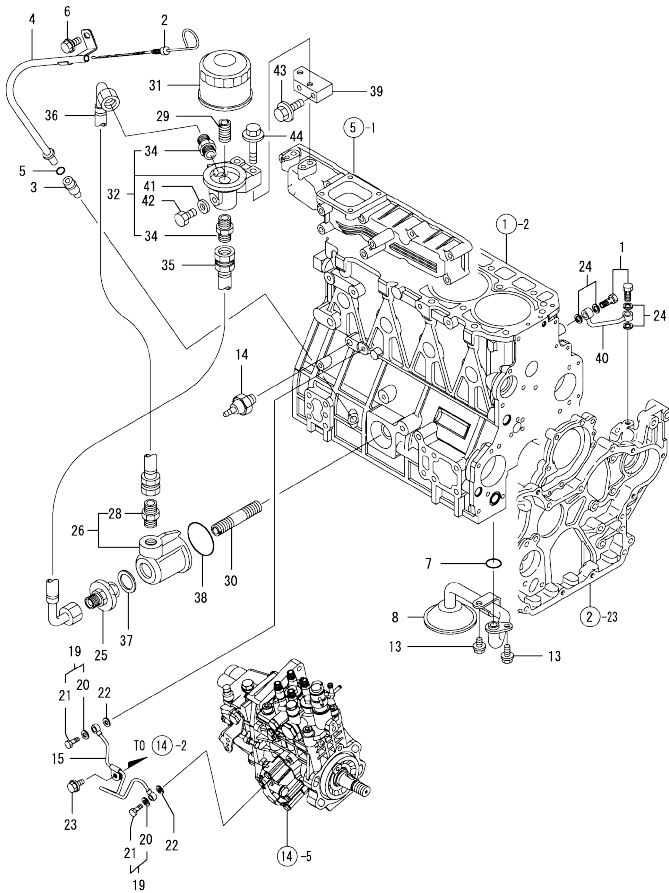
Remarks  
 (1)Repair part.  
 (2)Interchangeable by simultaneous replacement with No.34-1, No.37-1 and No.44-1.

N:Old  $\frac{100}{100}$  New, Q:Old  $\frac{100}{100}$  New, R:Old  $\frac{100}{100}$  New, S:Old  $\frac{100}{100}$  New, W:Add, Z:Discontinued, F:Interchangeable by set, K:Q'ty Change  
 Copyright (C) YANMAR GLOBAL CS CO., LTD. All Rights Reserved.



OCD10-M80200 ENGINE SECTION  
 Fig.11. LUB.OIL SYSTEM

OCD10-M80200 Fig.11



(A)=4TNV98-VTBZ  
 (B)=4TNV98-XTBW  
 (C)=4TNV98-YTBL

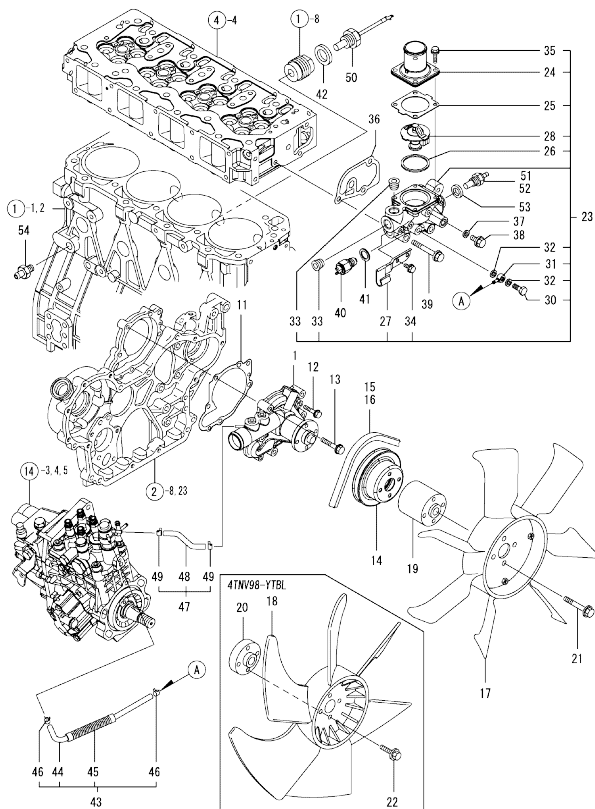
(D)=  
 (E)=  
 (F)=

No.	Lev.	Parts No.	Description	Q'ty						I	R
				(A)	(B)	(C)	(D)	(E)	(F)		
1	1	105010-39140	BOLT, PIPE JOINT M8			2					
2	1	129951-34801	DIPSTICK, OIL			1					
3	1	119260-34810	GUIDE, DIPSTICK			1					
4	1	129951-34812	GUIDE, DIPSTICK			1					
5	1	24311-240100	O-RING, 1AP10A			1					
6	1	26106-080162	BOLT, M8X 16 PLATED			1					
7	1	129900-32030	O-RING, P20			1					
8	1	129900-35000	PIPE ASSY, OIL INLET			1					
13	1	26106-080122	BOLT, M8X 12 PLATED			2					
14	1	114250-39450	SWITCH, HYDRAULIC			1					
15	1	129907-39061	PIPE ASSY, OIL			1					
19	1	129005-59830	BOLT ASSY, JOINT M8			2					
20	2	22190-080002	WASHER, SEAL 8			2					
21	2	23857-030000	BOLT, JOINT 3			2					
22	1	22190-080002	WASHER, SEAL 8			2					
23	1	26106-080122	BOLT, M8X 12 PLATED			1					
24	1	22190-080002	WASHER, SEAL 8			4					
25	1	129953-35110	RETAINER, CASE			1					
26	1	129944-35110	CASE ASSY, OIL			1					
28	2	129953-39500	ADAPTER, R-G1/2			1					
29	1	119000-35140	BOLT, FILTER			1					
30	1	129970-35140	BOLT, FILTER			1					
31	1	129150-35153	FILTER ASSY, D80X80L			1					1
32	1	123945-35210	BRACKET ASSY			1					
34	2	129953-39500	ADAPTER, R-G1/2			2					
35	1	129953-39100	PIPE ASSY, OIL			1					
36	1	123945-39100	PIPE, OIL			1					
37	1	22190-300002	WASHER, SEAL 30			1					
38	1	24321-000600	O-RING, 1AG60.0			1					
39	1	129944-35150	SPACER, BRACKET			1					
40	1	129930-39050	PIPE, HO PUMP			1					
41	1	22190-100002	WASHER, SEAL 10			1					
42	1	23887-100002	PLUG, 10			1					
43	1	26106-080352	BOLT, M8X 35 PLATED			2					
44	1	26106-100452	BOLT, M10X 45 PLATED			2					

Remarks  
 (1) REPAIR PART.

N:Old  $\frac{100}{100}$  New, Q:Old  $\frac{100}{100}$  New, R:Old  $\frac{100}{100}$  New, S:Old  $\frac{100}{100}$  New, W:Add, Z:Discontinued, F:Interchangeable by set, K:Q'ty Change  
 Copyright (C) YANMAR GLOBAL CS CO., LTD. All Rights Reserved.

Fig.12. COOLING WATER SYSTEM



(A)=4TNV98-VTBZ  
(B)=4TNV98-XTBW  
(C)=4TNV98-YTBL

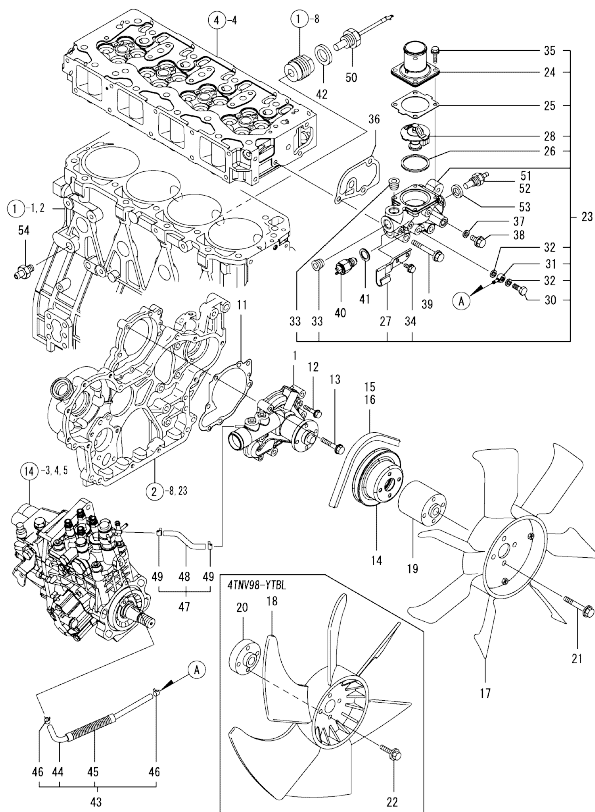
(D)=  
(E)=  
(F)=

No.	Lev.	Parts No.	Description	Q'ty						I	R
				(A)	(B)	(C)	(D)	(E)	(F)		
1	1	129907-42000	PUMP ASSY, WATER	1	1	1					
11	1	129900-42020	GASKET, WATER PUMP	1	1	1					
12	1	26106-060302	BOLT, M6X 30 PLATED	2	2	2					
13	1	26106-080552	BOLT, M8X 55 PLATED	5	5	5					
14	1	129900-42461	V-PULLEY, PUMP	1	1	1					
14-1	1	129900-42450	V-PULLEY, PUMP	1	1						S 1
14-2	1	129930-42450	V-PULLEY, PUMP		1						S 2
15	1	25152-004400	V-BELT, A44	1	1						N
15-1	1	129940-42310	V-BELT, A44	1	1						N
15-2	1	129953-42290	V-BELT, A45	1	1						S 1
15-3	1	129940-42310	V-BELT, A44		1						S 2
16	1	25152-004100	V-BELT, A41					1			N
16-1	1	129940-42320	V-BELT, A41					1			N
17	1	129981-44740	FAN, COOLING D=450	1	1						
18	1	129916-44740	FAN, COOLING D=430					1			
19	1	119117-44760	SPACER, FAN	1	1						
19-1	1	129900-44760	SPACER, FAN	1	1						S 1
20	1	119130-44760	SPACER, FAN						1		
21	1	129916-44770	BOLT, M8X78	4	4						
21-1	1	26106-080802	BOLT, M8X 80 PLATED	4	4						R
21-2	1	26106-080852	BOLT, M8X 85 PLATED	4	4						S 1
22	1	26106-080352	BOLT, M8X 35 PLATED						4		
23	1	129946-49810	CASE ASSY, THERMOSTAT	1	1	1					
24	2	129916-49530	COVER, THERMOSTAT	1	1	1					
25	2	121850-49540	GASKET, THERMOSTAT	1	1	1					
26	2	121850-49550	GASKET, THERMOSTAT	1	1	1					
27	2	129907-49730	RETAINER, PIPE	1	1	1					
28	2	121850-49800	THERMOSTAT, 82C	1	1	1					
30	2	105582-59150	BOLT, PIPE JOINT M8	1	1	1					
31	2	23387-040800	JOINT, HOSE 4-8	1	1	1					
32	2	23414-080000	GASKET, 8X1.0	2	2	2					
33	2	23875-030000	PLUG, R03	2	2	2					
34	2	26106-060122	BOLT, M6X 12 PLATED	2	2	2					
35	2	26106-060202	BOLT, M6X 20 PLATED	4	4	4					
36	1	129900-49870	GASKET, THERMOSTAT	1	1	1					
37	1	23414-080000	GASKET, 8X1.0	1	1	1					
38	1	26106-080122	BOLT, M8X 12 PLATED	1	1	1					
39	1	26106-080602	BOLT, M8X 60 PLATED	3	3	3					
40	1	121250-44901	SWITCH, TEMPERATURE	1	1	1					
41	1	124465-44950	GASKET, 16	1	1	1					
42	1	124465-44950	GASKET, 16	1	1	1					
43	1	129907-49610	HOSE ASSY, WATER A	1	1	1					

Remarks

- (1) Interchangeable by simultaneous replacement with No.14-1 and No.15-2, No.19-1, No.21-2.
- (2) Interchangeable by simultaneous replacement with No.14-2 and No.15-3.

Fig.12. COOLING WATER SYSTEM



(A)=4TNV98-VTBZ  
(B)=4TNV98-XTBW  
(C)=4TNV98-YTBL

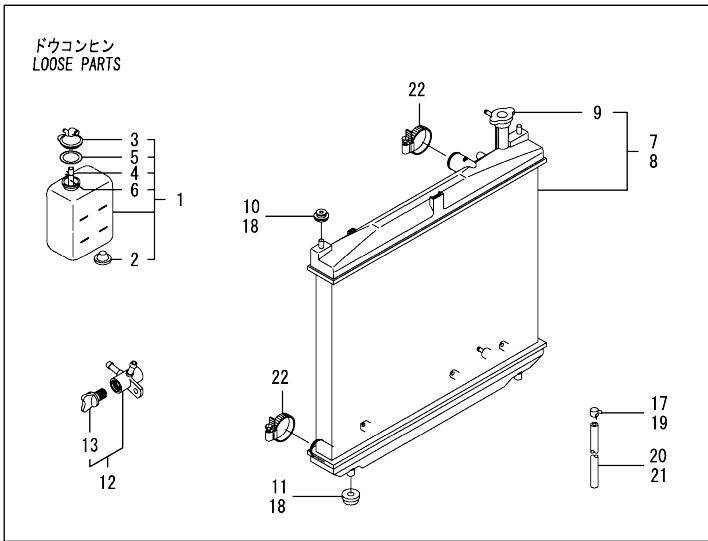
(D)=  
(E)=  
(F)=

No.	Lev.	Parts No.	Description	Q'ty						I	R
				(A)	(B)	(C)	(D)	(E)	(F)		
44	2	129907-49710	HOSE, WATER A	1	1	1					
45	2	129907-49750	TUBE, CORRUGATED	1	1	1					
46	2	124722-59050	CLAMP, HOSE 9	2	2	2					
47	1	129907-49620	HOSE ASSY, WATER B	1	1	1					
48	2	129907-49720	HOSE, WATER B	1	1	1					
49	2	124722-59050	CLAMP, HOSE 9	2	2	2					
50	1	129107-44901	SENSOR, WATER TEMP.	1	1						
51	1	171056-49351	SENSOR, TEMPERATURE	1	1						
52	1	119266-49350	SENSOR, WATER TEMP.						1		
53	1	129150-49360	GASKET, 10	1	1	1					
54	1	121550-49111	JOINT, PT1/4	1	1	1					

Remarks

- (1) Interchangeable by simultaneous replacement with No.14-1 and No.15-2, No.19-1, No.21-2.
- (2) Interchangeable by simultaneous replacement with No.14-2 and No.15-3.

Fig.13. RADIATOR

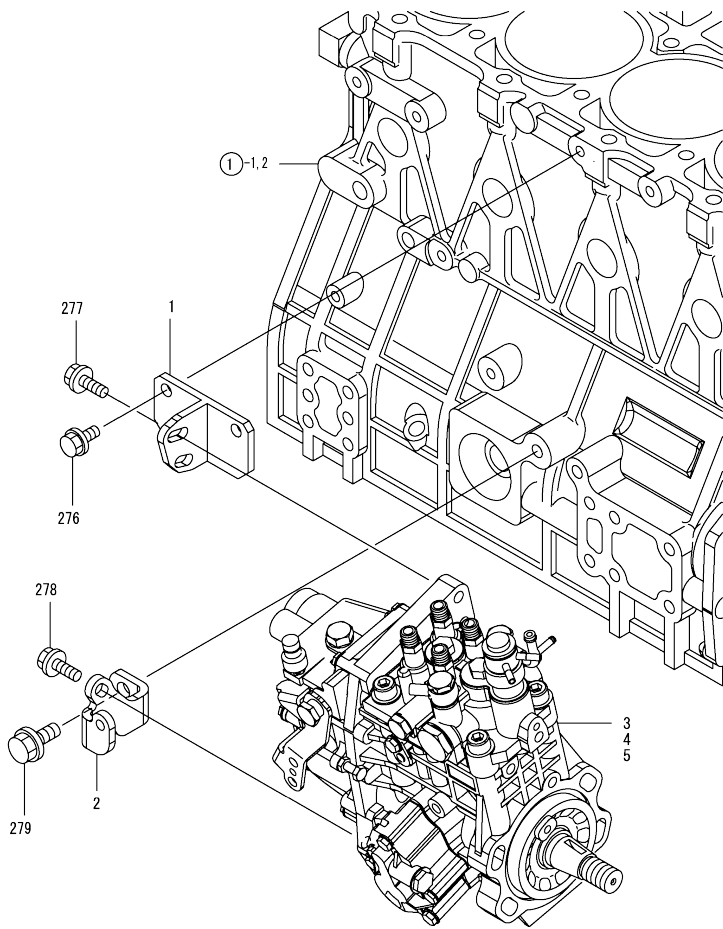


(A)=4TNV98-VTBZ  
(B)=4TNV98-XTBW  
(C)=4TNV98-YTBL

(D)=  
(E)=  
(F)=

No.	Lev.	Parts No.	Description	Q'ty						I	R
				(A)	(B)	(C)	(D)	(E)	(F)		
1	1	129466-44510	TANK ASSY, SUB	1	1	1					
2	2	121468-44540	PLUG, SUB-TANK	1	1	1					
3	2	121450-44531	CAP	1	1	1					
4	2	124450-44560	CLAMP, PIPE	1	1	1					
5	2	121470-44581	GASKET	1	1	1					
6	2	121267-44590	PIPE	1	1	1					
7	1	129940-44521	RADIATOR ASSY	1	1						
8	1	129944-44510	RADIATOR ASSY						1		
9	2	129107-44590	CAP, RADIATOR	1	1	1					
10	1	184016-44700	RUBBER, RADIATOR UP	2	2						
11	1	184016-44710	RUBBER, RADIATOR LOW	2	2						
12	1	129150-49100	COCK ASSY, 3-WAY	1	1	1					
13	2	129150-49080	COCK, DRAIN	1	1	1					
17	1	121250-44590	CLAMP, HOSE 12							2	
18	1	119255-44660	RUBBER, RADIATOR							4	
19	1	124722-59050	CLAMP, HOSE 9							1	
20	1	121137-59080	PIPE, FUEL D12X1150							1	
21	1	105840-59100	PIPE, FUEL RETURN							1	
22	1	23000-054000	CLAMP, 54	4	4	4					

Fig.14. FUEL INJECTION PUMP

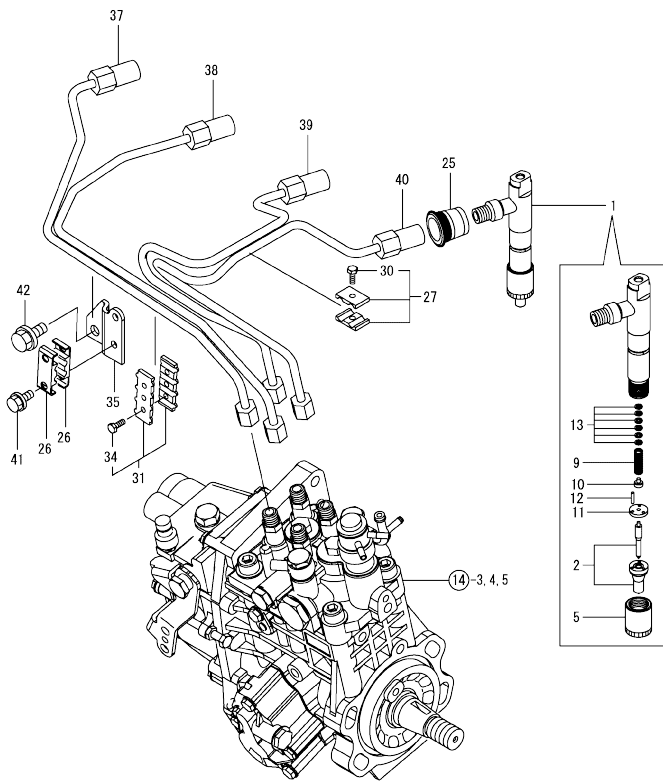


(A)=4TNV98-VTBZ  
(B)=4TNV98-XTBW  
(C)=4TNV98-YTBL

(D)=  
(E)=  
(F)=

No.	Lev.	Parts No.	Description	Q'ty						I	R
				(A)	(B)	(C)	(D)	(E)	(F)		
1	1	129907-01950	RETAINER, PUMP UPPER	1	1	1					
2	1	129907-01960	RETAINER, PUMP LOWER	1	1	1					
3	1	729940-51350	PUMP ASSY, INJECTION	1							
4	1	729940-51360	PUMP ASSY, INJECTION		1						
5	1	729944-51310	PUMP ASSY, INJECTION				1				
276	1	26106-080162	BOLT, M8X 16 PLATED	2	2	2					
277	1	26106-080222	BOLT, M8X 22 PLATED	2	2	2					
278	1	26106-080222	BOLT, M8X 22 PLATED	1	1	1					
279	1	26106-100202	BOLT, M10X 20 PLATED	1	1	1					

Fig.15. FUEL INJECTION VALVE

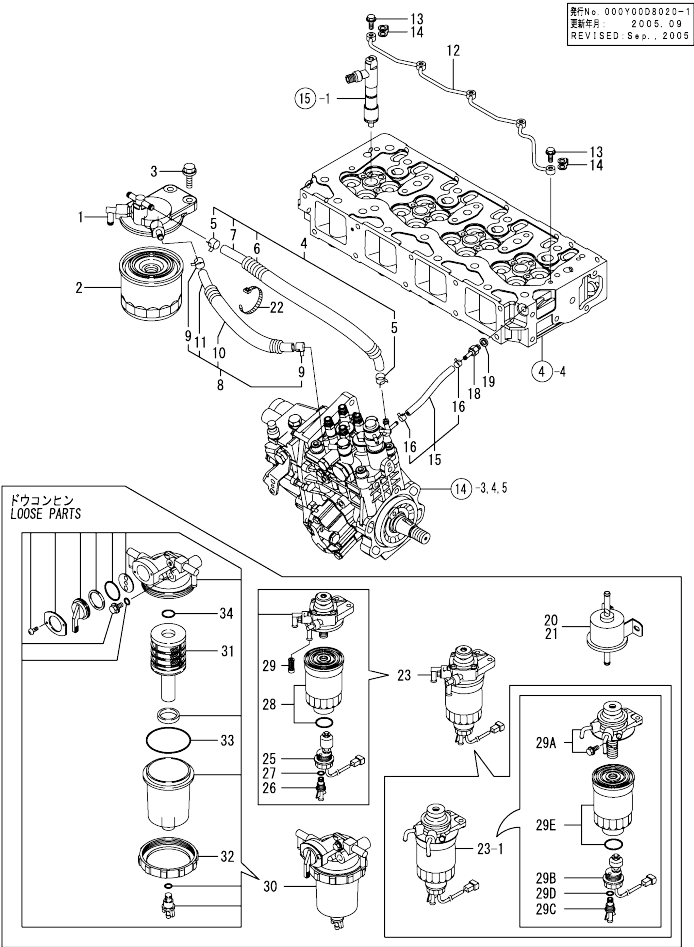


(A)=4TNV98-VTBZ  
(B)=4TNV98-XTBW  
(C)=4TNV98-YTBL

(D)=  
(E)=  
(F)=

No.	Lev.	Parts No.	Description	Q'ty					
				(A)	(B)	(C)	(D)	(E)	(F)
1	1	729907-53100	VALVE ASSY,INJECTION	4	4	4			
2	2	129907-53000	VALVE ASSY,INJECTION	4	4	4			
5	2	114250-53080	NUT, NOZZLE	4	4	4			
9	2	114250-53120	SPRING, NOZZLE	4	4	4			
10	2	114250-53130	SEAT, SPRING	4	4	4			
11	2	114250-53140	SPACER, VALVE STOP	4	4	4			
12	2	114250-53210	PIN, POSITIONING	8	8	8			
13	2	114250-53400	SHIM SET	4	4	4			
25	1	123907-11601	SEAL, PIPE	4	4	4			
26	1	122780-59100	RETAINER, PIPE	2	2	2			
27	1	119305-59120	RETAINER, PIPE	1	1	1			
30	2	129150-59131	BOLT, M4X14	1	1	1			
31	1	129550-59120	RETAINER, PIPE	1	1	1			
34	2	129150-59131	BOLT, M4X14	2	2	2			
35	1	129907-59710	SUPPORT, PIPE CLAMP	1	1	1			
37	1	129907-59810	PIPE ASSY, INJECTION	1	1	1			
38	1	129907-59820	PIPE ASSY, INJECTION	1	1	1			
39	1	129907-59830	PIPE ASSY, INJECTION	1	1	1			
40	1	129907-59840	PIPE ASSY, INJECTION	1	1	1			
41	1	26106-060162	BOLT, M6X 16 PLATED	2	2	2			
42	1	26106-080182	BOLT, M8X 18 PLATED	1	1	1			

Fig.16. FUEL LINE



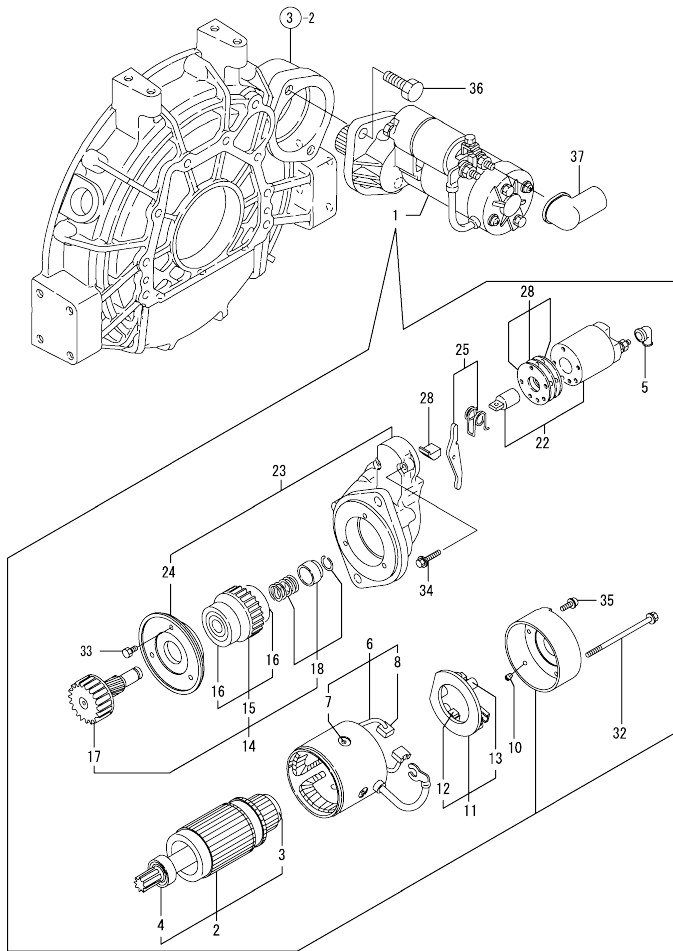
(A)=4TNV98-VTBZ  
(B)=4TNV98-XTBW  
(C)=4TNV98-YTBL

(D)=  
(E)=  
(F)=

No.	Lev.	Parts No.	Description	Q'ty						I	R
				(A)	(B)	(C)	(D)	(E)	(F)		
1	1	129004-55610	BRACKET, FILTER	1	1	1					
2	1	119802-55800	FILTER, FUEL	1	1	1					
3	1	26106-080302	BOLT, M8X 30 PLATED				2				
4	1	129457-59010	HOSE ASSY, FUEL				1				
5	2	124766-59050	CLAMP, HOSE 11.5				2				
6	2	129957-59120	TUBE, CORRUGATED 15				1				
7	2	105025-59750	HOSE, FUEL				1				
8	1	129981-59010	HOSE ASSY, FUEL				1				
9	2	124766-59050	CLAMP, HOSE 11.5				2				
10	2	129950-59221	TUBE, CORRUGATED 15				1				
11	2	129980-59510	HOSE, FUEL				1				
12	1	129907-59140	PIPE ASSY, RETURN			1	1	1	1		
13	1	123907-59540	BOLT, PIPE JOINT M6			5	5	5	5		
14	1	123907-59550	GASKET, FUEL RETURN			5	5	5	5		
15	1	129486-59551	HOSE ASSY, RETURN				1	1	1		
16	2	124722-59050	CLAMP, HOSE 9			2	2	2	2		
18	1	123907-59560	JOINT, HOSE			1	1	1	1		
19	1	22190-080002	WASHER, SEAL 8			1	1	1	1		
20	1	129953-52100	PUMP ASSY, FUEL FEED			1	1				
20A	2	129535-52150	FILTER ASSY, PUMP			1	1				
21	1	129612-52100	PUMP, FUEL FEED							1	
22	1	121750-59890	BAND, NYLON							1	
23	1	129901-55800	FILTER ASSY, FUEL			1	1				
23-1	1	129917-55800	FILTER ASSY, FUEL			1	1				N
(A=2005.09) (B=2005.09)											
25	2	129901-55820	SENSOR ASSY, LEVEL			1	1				Z
(A=2005.09) (B=2005.09)											
26	2	129901-55830	PLUG, DRAIN			1	1				Z
(A=2005.09) (B=2005.09)											
27	2	129901-55840	O-RING, DRAIN PLUG			1	1				Z
(A=2005.09) (B=2005.09)											
28	2	129901-55850	ELEMENT KIT, FUEL			1	1				Z
(A=2005.09) (B=2005.09)											
29	2	129901-55860	FILTER, PRE			1	1				Z
(A=2005.09) (B=2005.09)											
29A	2	129917-55810	BODY, FILTER SUB			1	1				W
(A=2005.09) (B=2005.09)											
29B	2	129917-55820	SENSOR ASSY, LEVEL			1	1				W
(A=2005.09) (B=2005.09)											
29C	2	129917-55830	PLUG, DRAIN			1	1				W
(A=2005.09) (B=2005.09)											
29D	2	129917-55840	O-RING, DRAIN PLUG			1	1				W
(A=2005.09) (B=2005.09)											
29E	2	129917-55850	ELEMENT KIT, FUEL			1	1				W
(A=2005.09) (B=2005.09)											
30	1	129906-55700	SEPARATOR ASSY, WATER							1	
31	2	119802-55710	ELEMENT, FUEL							1	
32	2	129100-55690	NUT, RETAINING							1	
33	2	24321-000650	O-RING, 1AG65.0							1	
34	2	24311-000160	O-RING, 1AP16.0							1	

N:Old  $\frac{New}{Old}$  New, Q:Old  $\frac{New}{Old}$  New, R:Old  $\frac{New}{Old}$  New, S:Old  $\frac{New}{Old}$  New, W:Add, Z:Discontinued, F:Interchangeable by set, K:Q'ty Change  
Copyright (C) YANMAR GLOBAL CS CO., LTD. All Rights Reserved.

Fig.17. STARTING MOTOR



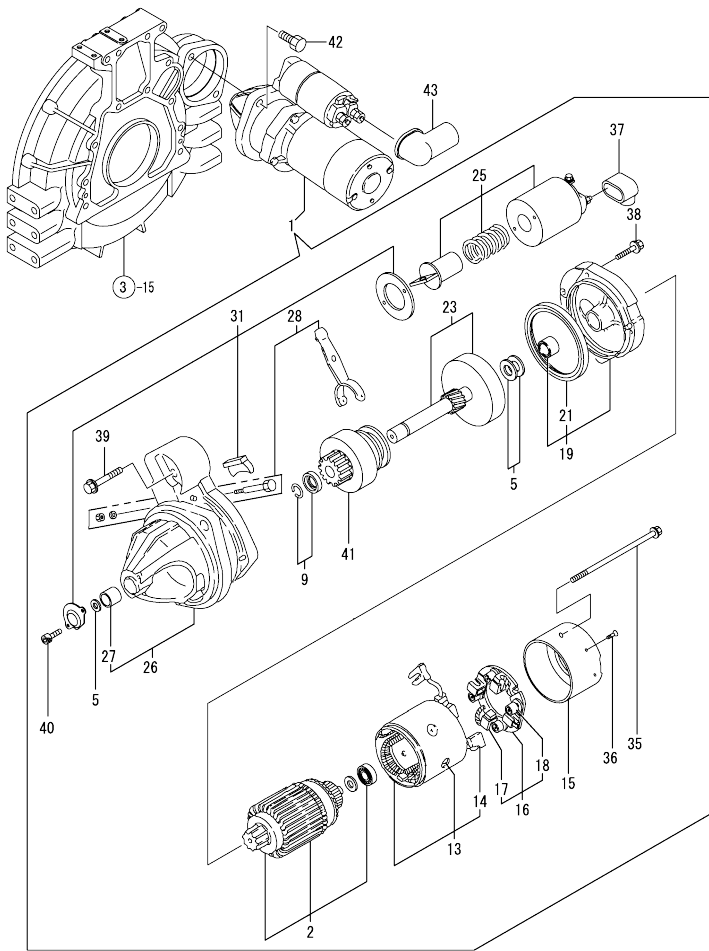
(A)=4TNV98-VTBZ  
(B)=4TNV98-XTBW  
(C)=4TNV98-YTBL

(D)=  
(E)=  
(F)=

No.	Lev.	Parts No.	Description	Q'ty						I	R
				(A)	(B)	(C)	(D)	(E)	(F)		
1	1	119131-77010	STARTER ASSY, CR1.4	1	1						
2	2	119131-77400	ARMATURE ASSY	1	1						
3	3	X2130350900	BEARING, BALL	1	1						
4	3	119131-77420	BEARING, BALL 2	1	1						
5	2	121254-77810	COVER, TERMINAL M	1	1						
6	2	119131-77440	COIL ASSY, FIELD	1	1						
7	3	171008-77450	SCREW, CORE SET	4	4						
8	3	119131-77450	BRUSH, +	2	2						
10	2	119131-77470	BUSH	1	1						
11	2	119131-77480	HOLDER ASSY, BRUSH	1	1						
12	3	119131-77500	BRUSH	2	2						
13	3	119131-77490	SPRING, BRUSH	4	4						
14	2	119131-77510	CLUTCH ASSY, PINION	1	1						
15	3	119131-77520	CLUTCH ASSY	1	1						
16	4	X2240610100	BEARING, BALL	2	2						
17	3	119131-77540	SHAFT, PINION	1	1						
18	3	119131-77550	STOPPER SET, PINION	1	1						
22	2	119131-77590	SWITCH, MAGNET	1	1						
23	2	119131-77600	CASE ASSY, GEAR	1	1						
24	3	119131-77610	METAL, GEAR CASE	1	1						
25	2	119131-77620	LEVER SET, SHIFT	1	1						
28	2	119131-77650	COVER KIT, DUST	1	1						
32	2	129400-77640	BOLT, THROUGH	2	2						
33	2	26014-060162	BOLT, M6X 16	3	3						
34	2	119131-77690	BOLT, M6X37	2	2						
35	2	26557-040102	SCREW, M4X10	2	2						
36	1	26116-120302	BOLT, M12X 30 PLATED	2	2						
37	1	124550-77030	COVER, TERMINAL B	1	1						



Fig.18. STARTING MOTOR

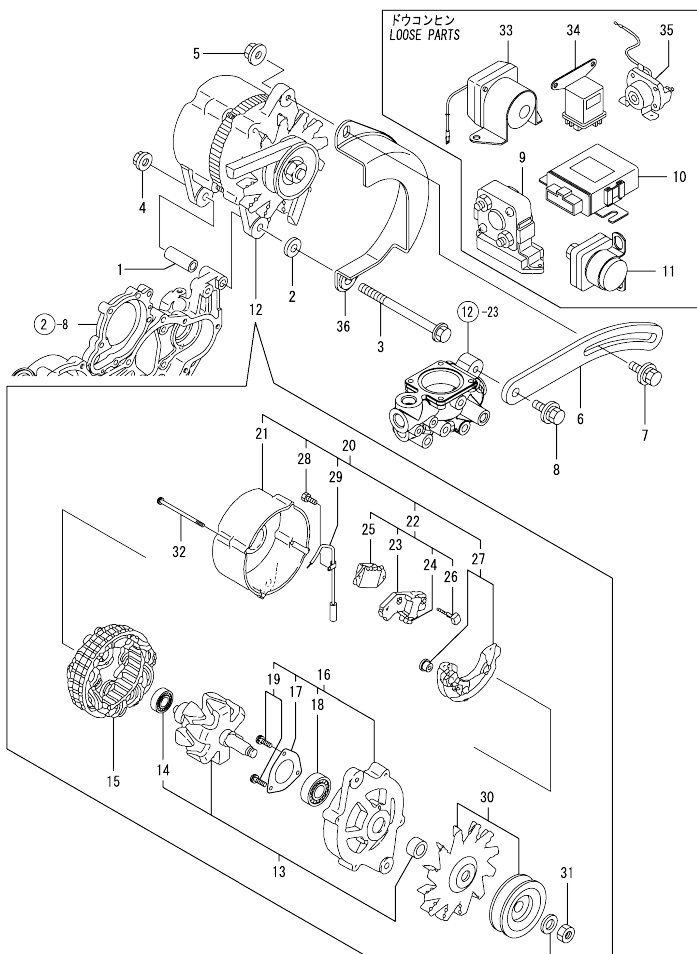


(A)=4TNV98-VTBZ  
(B)=4TNV98-XTBW  
(C)=4TNV98-YTBL

(D)=  
(E)=  
(F)=

No.	Lev.	Parts No.	Description	Q'ty						I	R		
				(A)	(B)	(C)	(D)	(E)	(F)				
1	1	129953-77019	STARTER										
2	2	121254-77402	ARMATURE ASSY										
5	2	121254-77430	WASHER KIT, THRUST										
9	2	121254-77480	STOPPER SET, PINION										
13	2	121254-77521	COIL ASSY, FIELD										
14	3	121254-77541	BRUSH (+)										
15	2	121254-77550	COVER ASSY, REAR										
16	2	121254-77571	HOLDER ASSY										
17	3	121254-77581	BRUSH, -										
18	3	121254-77590	SPRING, BRUSH										
19	2	121254-77600	BEARING ASSY, CENTER										
21	3	121254-77610	SEAL, OIL										
23	2	121254-77640	SHAFT ASSY, GEAR										
25	2	129953-77670	SWITCH, MAGNET										
26	2	121254-77681	CASE, GEAR										
27	3	121254-77690	METAL, GEAR CASE										
28	2	121254-77700	LEVER ASSY, SHIFT										
31	2	121254-77730	COVER SET, DUST										
35	2	121254-77770	BOLT, THROUGH										
36	2	121254-77790	SCREW, M4X0.7										
37	2	121254-77810	COVER, TERMINAL M										
38	2	26106-060302	BOLT, M6X 30 PLATED										
39	2	26106-060452	BOLT, M6X 45 PLATED										
40	2	121254-77780	SCREW, M5X0.8										
41	2	129953-77660	PINION ASSY										
42	1	26116-120302	BOLT, M12X 30 PLATED										
43	1	124550-77030	COVER, TERMINAL B										

Fig.19. GENERATOR

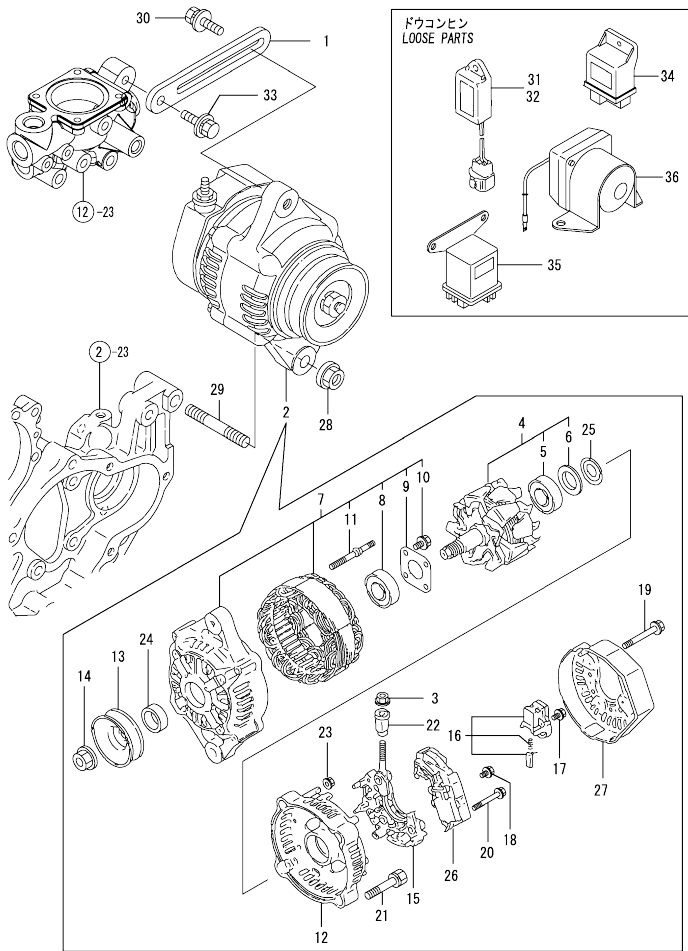


(A)=4TNV98-VTBZ  
(B)=4TNV98-XTBW  
(C)=4TNV98-YTBL

(D)=  
(E)=  
(F)=

No.	Lev.	Parts No.	Description	Q'ty						I	R
				(A)	(B)	(C)	(D)	(E)	(F)		
1	1	129470-77340	PIECE, DISTANCE	1	1						
2	1	22137-100000	WASHER, 10	1	1						
3	1	26116-101302	BOLT, M10X130 PLATED	1	1						
4	1	26306-100002	NUT, M10	1	1						
5	1	26306-080002	NUT, M8	1	1						
6	1	129953-77320	ADJUSTER, BELT	1	1						
7	1	26014-080352	BOLT, M8X 35	1	1						
8	1	26014-080252	BOLT, M8X 25	1	1						
9	1	129900-77100	RELAY, SAFETY 24V	1	1						
10	1	119503-77520	CONTROLLER, HEATER	1	1						
11	1	127488-77530	RELAY, GROW	1	1						
12	1	129953-77210	GENERATOR, AC 24V40A	1	1						
13	2	XL240G5100	ROTOR ASSY	1	1						
14	3	119129-77320	BEARING, BALL	1	1						
15	2	XL24092001	STATOR ASSY	1	1						
16	2	XL2351400	COVER ASSY, FRONT	1	1						
17	3	119129-77870	RETAINER, BEARING	1	1						
18	3	119129-77850	BEARING, BALL	1	1						
19	3	119129-77930	SCREW KIT	1	1						
20	2	XL240G23001	COVER ASSY, REAR	1	1						
21	3	XL240G4301	COVER, REAR	1	1						
22	3	XL23513151	BRUSH ASSY,REGULATOR	1	1						
23	4	XL17093201	DIODE ASSY	1	1						
24	4	XL15023252	BRUSH SET	1	1						
25	4	119129-77820	REGULATOR ASSY, IC	1	1						
26	4	XL1501313	BOLT, M5	2	2						
27	3	XL17093201	DIODE ASSY	1	1						
28	3	26116-050122	BOLT, M5X 12 PLATED	1	1						
29	3	119129-77250	WIRE, LEAD	1	1						
30	2	129535-77880	PULLEY ASSY	1	1						
31	2	XL2252805	NUT ASSY, PULLEY	1	1						
32	2	119129-77890	BOLT, THROUGH	4	4						
33	1	119129-77910	RELAY, MAGNET	1	1						
34	1	129612-77910	RELAY, GLOW	1	1						
35	1	129612-77920	TIMER, 1S-24V	1	1						
36	1	129953-77410	COVER, FAN	1	1						

Fig.20. GENERATOR

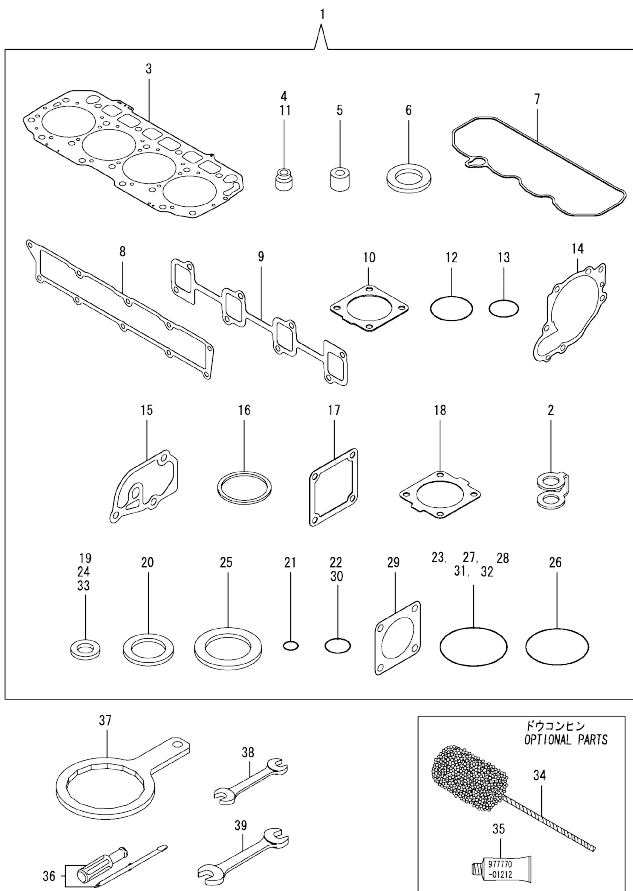


(A)=4TNV98-VTBZ  
(B)=4TNV98-XTBW  
(C)=4TNV98-YTBL

(D)=  
(E)=  
(F)=

No.	Lev.	Parts No.	Description	Q'ty						I	R	
				(A)	(B)	(C)	(D)	(E)	(F)			
1	1	129900-77330	ADJUSTER, BELT									
2	1	129240-77200	ALTERNATOR, 12V-40A									
3	2	129240-79310	NUT									
4	2	119620-77380	ROTOR ASSY									
5	3	126501-79240	BEARING, BALL									
6	3	119620-79250	COVER, BEARING									
7	2	119620-77421	FRAME ASSY, DRIVE									
8	3	119620-79200	BEARING, BALL									
9	3	119620-79210	PLATE, RETAINER									
10	3	119620-79220	SCREW									
11	3	119620-79230	STUD									
12	2	119620-77440	FRAME ASSY, REAR									
13	2	119620-77461	PULLEY, GENERATOR									
14	2	119620-77471	NUT									
15	2	119620-79260	HOLDER ASSY									
16	2	129052-79270	HOLDER ASSY, BRUSH									
17	2	119620-79290	SCREW									
18	2	119620-79300	SCREW									
19	2	119620-79310	BOLT									
20	2	119620-79320	SCREW, W/WASHER									
21	2	119620-79330	BOLT									
22	2	119620-79340	BUSH, INSULATION									
23	2	119620-79350	NUT									
24	2	119620-77490	COLLAR									
25	2	119620-79360	WASHER, THRUST									
26	2	129240-77710	REGULATOR ASSY									
27	2	129240-79300	COVER									
28	1	26306-100002	NUT, M10									
29	1	129795-01900	BOLT, M10X30									
30	1	119810-77340	BOLT, ADJUSTER L=30									
31	1	129211-77920	TIMER, SECTION 1									
32	1	128300-77920	TIMER, GLOW PLUG									
33	1	26014-080252	BOLT, M8X 25									
34	1	119802-77200	RELAY, SAFETY									
35	1	119646-77900	RELAY, POWER									
36	1	129100-77910	RELAY, MAGNET									

Fig.21. TOOL & GASKET SET



(A)=4TNV98-VTBZ  
(B)=4TNV98-XTBW  
(C)=4TNV98-YTBL

(D)=  
(E)=  
(F)=

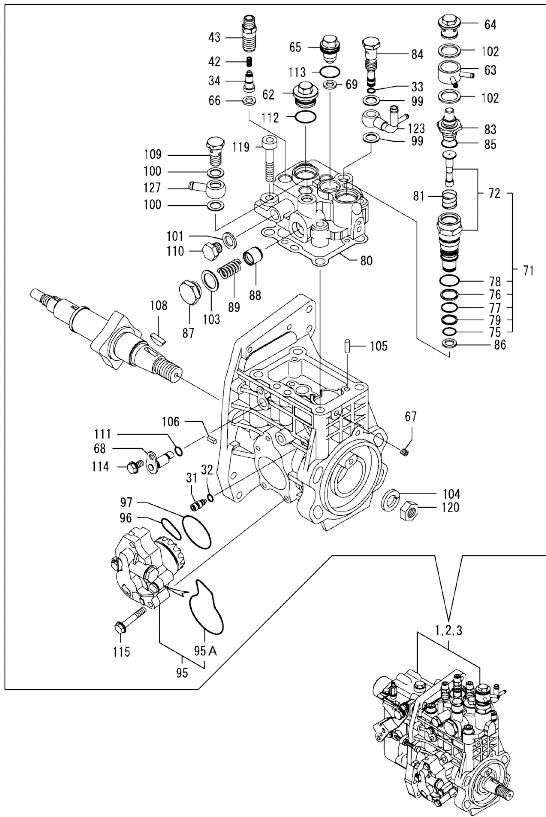
No.	Lev.	Parts No.	Description	Qty						I	R	
				(A)	(B)	(C)	(D)	(E)	(F)			
1	1	729907-92680	GASKET SET	1	1	1					1	
2	2	123907-59550	GASKET, FUEL RETURN	5	5	5						
3	2	129907-01331	GASKET, HEAD	1	1	1						
4	2	124160-11340	SEAL, VALVE STEM	8	8	8						
5	2	119802-11870	PROTECTOR, NOZZLE	4	4	4						
6	2	119625-11880	SEAT, NOZZLE	4	4	4						
7	2	129907-11310	GASKET, BONNET	1	1	1						
8	2	129907-12110	GASKET, MANIFOLD	1	1	1						
9	2	129900-13251	GASKET, MANIFOLD	1	1	1						
10	2	129930-13200	GASKET, SILENCER	2	2	2						
11	2	124950-11340	SEAL, VALVE STEM	8	8	8						
12	2	129900-32030	O-RING, P20	2	2	2						
13	2	129900-32040	O-RING, P14	1	1	1						
14	2	129900-42020	GASKET, WATER PUMP	1	1	1						
15	2	129900-49870	GASKET, THERMOSTAT	1	1	1						
16	2	121850-49550	GASKET, THERMOSTAT	1	1	1						
17	2	121850-77021	GASKET, AIR HEATER	1	1	1						
18	2	121850-49540	GASKET, THERMOSTAT	1	1	1						
19	2	23414-080000	GASKET, 8X1.0	3	3	3						
20	2	124465-44950	GASKET, 16	2	2	2						
21	2	24311-000070	O-RING, 1AP7.0	1	1	1						
22	2	24311-000120	O-RING, 1AP12.0	8	8	8						
23	2	24311-000320	O-RING, 1AP32.0	3	3	3						
24	2	22190-080002	WASHER, SEAL 8	9	9	9						
25	2	22190-220002	WASHER, SEAL 22	1	1	1						
26	2	24351-030750	O-RING, 1A3075	1	1	1						
27	2	24321-000850	O-RING, 1AG85.0	1	1	1						
28	2	24341-000530	O-RING, 1AS53.0	1	1	1						
29	2	124240-01883	GASKET, PUMP	1	1	1						
30	2	24311-240100	O-RING, 1AP10A	1	1	1						
31	2	24321-000600	O-RING, 1AG60.0	2	2	2						
32	2	24321-000700	O-RING, 1AG70.0	1	1	1						
33	2	129150-49360	GASKET, 10	1	1	1						
34	1	129400-92450	HONE, FLEX	1	1	1						1
35	1	977770-01212	GASKET, LIQUID	1	1	1						1
36	1	104200-92350	DRIVER, SCREW	1	1	1						
37	1	119640-92750	TOOL, FILTER WRENCH	1	1	1						
38	1	28110-100120	SPANNER, 10X12	1	1	1						
39	1	28110-140170	SPANNER, 14X17	1	1	1						

Remarks  
(1) OPTIONAL PART.

Fig.22. FUEL INJECTION PUMP(INNER PART

(A)=4TNV98-VTBZ  
(B)=4TNV98-XTBW  
(C)=4TNV98-YTBL

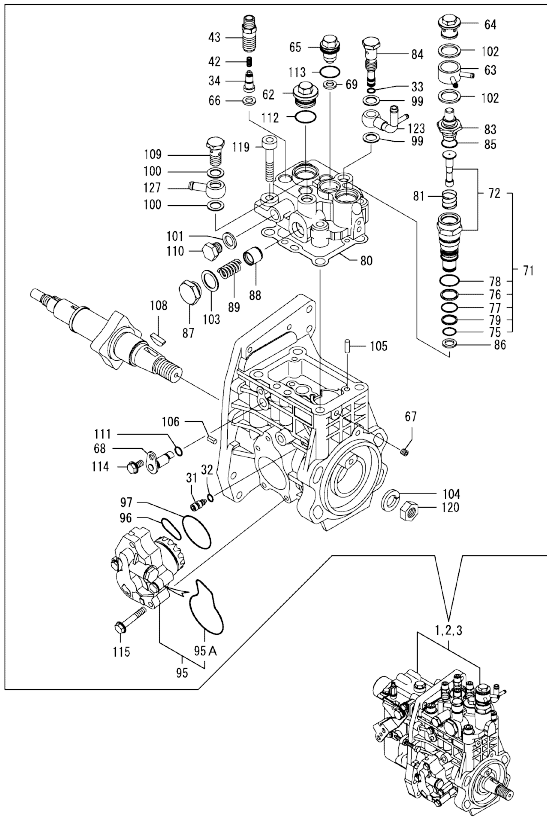
(D)=  
(E)=  
(F)=



No.	Lev.	Parts No.	Description	Qty						I	R	
				(A)	(B)	(C)	(D)	(E)	(F)			
1	1	729940-51350	PUMP ASSY, INJECTION								1	
2	1	729940-51360	PUMP ASSY, INJECTION			1						1
3	1	729944-51310	PUMP ASSY, INJECTION					1				1
31	3	158600-51270	STOPPER, TAPPET		1	1	1					
32	3	158563-51281	O-RING, 4D S6		1	1	1					
33	3	158563-51281	O-RING, 4D S6		1	1	1					
34	3	158560-51300	VALVE ASSY, DELIVERY	4	4	4						
42	3	158563-51330	SPRING, DELIVERY	4	4	4						
43	3	158560-51340	HOLDER, DELIVERY	4	4	4						
62	3	158601-51550	PLUG, M22	1	1	1						
63	3	158553-51551	JOINT, COOLING WATER	1	1	1						
64	3	158601-51570	PLUG	1	1	1						
65	3	129906-51560	PLUG, BARREL M16	1	1	1						
66	3	158552-51570	GASKET, BARREL PLUG	4	4	4						
67	3	158557-51570	PLUG, RACK	1	1	1						
68	3	158552-51580	LIFTER, LINK	1	1	1						
69	3	129906-51580	GASKET, BARREL PLUG	1	1	1						
71	3	119802-51590	TIMER ASSY	1	1	1						
72	4	119802-51600	TIMER ASSY	1	1	1						
75	4	158553-51670	O-RING, PUMP TIMER	1	1	1						
76	4	119802-51680	RING, BACKUP	1	1	1						
77	4	119802-51690	O-RING, 1016	1	1	1						
78	4	24356-010200	O-RING, 4D1020	1	1	1						
79	4	24372-000150	RING, BACK UP T2P15	1	1	1						
80	3	158560-51600	GASKET, HEAD	1	1	1						
81	3	158553-51630	SPRING, TIMER	1	1	1						
83	3	158553-51640	ELEMENT, THERMOSTAT	1	1	1						
84	3	158601-51650	JOINT, OVERFLOW	1	1	1						
85	3	158553-51660	O-RING, P14	1	1	1						
86	3	158553-51680	GASKET, TIMER	1	1	1						
87	3	158601-51790	PLUG, ACCUMULATOR	1	1	1						
88	3	158601-51770	PISTON, ACCUMULATOR	1	1	1						
89	3	158552-51780	SPRING, ACCUMULATOR	1	1	1						
95	3	158552-52100	PUMP ASSY, FUEL FEED	1	1	1						
95A	4	158552-52500	O-RING, PUMP INNER	1	1	1						
96	3	158552-52310	O-RING, FEED PUMP	1	1	1						
97	3	158552-52400	O-RING, 4E S42	1	1	1						
99	3	22190-120002	WASHER, SEAL 12	2	2	2						
100	3	22190-120002	WASHER, SEAL 12	2	2	2						
101	3	22190-120002	WASHER, SEAL 12	1	1	1						
102	3	22190-180002	WASHER, SEAL 18	2	2	2						
103	3	22190-180002	WASHER, SEAL 18	1	1	1						
104	3	22217-180000	WASHER, SPRING 18	1	1	1						
105	3	22312-050140	PIN, PARALLEL 5X14	2	2	2						
106	3	22351-050010	PIN, SPRING 5.0X10	2	2	2						
108	3	144626-51090	KEY, FEATHER 5X19	1	1	1						
109	3	23857-060000	BOLT, JOINT 6	1	1	1						
110	3	23887-120002	PLUG, 12	1	1	1						
111	3	24311-000070	O-RING, 1AP7.0	1	1	1						
112	3	24356-010200	O-RING, 4D1020	1	1	1						
113	3	24356-020210	O-RING, 4D2021	1	1	1						

Remarks  
(1) GOVERNOR ASSY(FIG.23 IS  
INCORPORATED IN THIS FOP.CMP  
(REF.NO.1,2,3).

Fig.22. FUEL INJECTION PUMP(INNER PART



(A)=4TNV98-VTBZ  
(B)=4TNV98-XTBW  
(C)=4TNV98-YTBL

(D)=  
(E)=  
(F)=

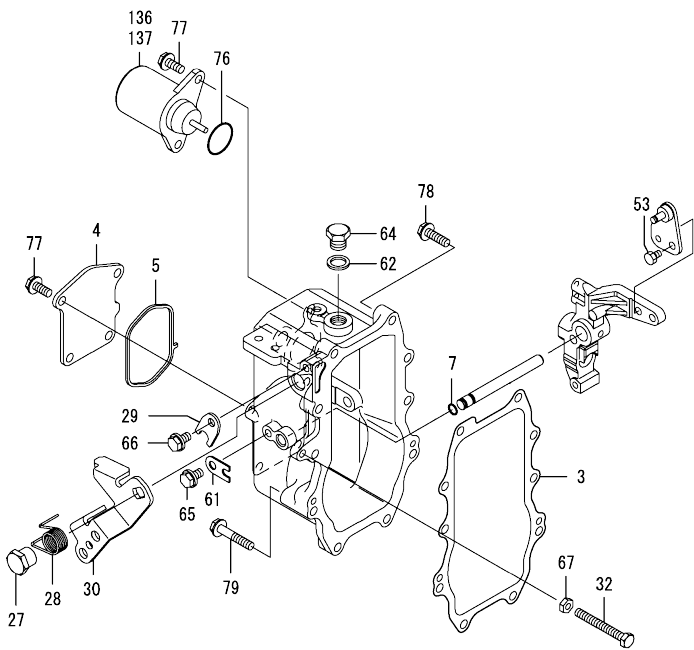
No.	Lev.	Parts No.	Description	Q'ty					
				(A)	(B)	(C)	(D)	(E)	(F)
114	3	26106-060102	BOLT, M6X 10 PLATED	1	1	1			
115	3	26106-060352	BOLT, M6X 35 PLATED	4	4	4			
119	3	26450-100452	BOLT, M10X 45	4	4	4			
120	3	26776-180002	NUT, LOCK M18	1	1	1			
123	2	158552-51670	JOINT, OVERFLOW	1	1	1			
127	2	129916-59020	JOINT, PIPE 12	1	1	1			

Remarks  
(1) GOVERNOR ASSY(FIG.23 IS  
INCORPORATED IN THIS FOP.CMP  
(REF.NO.1,2,3).

Fig.23. GOVERNOR(INNER PART)

(A)=4TNV98-VTBZ  
(B)=4TNV98-XTBW  
(C)=4TNV98-YTBL

(D)=  
(E)=  
(F)=



No.	Lev.	Parts No.	Description	Q'ty						I	R
				(A)	(B)	(C)	(D)	(E)	(F)		
3	3	158560-61050	GASKET, CASE	1	1	1					
4	3	158560-61061	COVER, GOVERNOR CASE	1	1	1					
5	3	158560-61071	GASKET, CASE	1	1	1					
7	4	129155-51280	O-RING, S6	1	1	1					
27	4	129255-61410	NUT, CONTROL LEVER	1	1	1					
28	4	119807-61420	SPRING, RETURN	1	1	1					
29	4	158560-61430	STOPPER, SHAFT	1	1	1					
30	4	158560-61441	LEVER, REGULATOR	1	1	1					
32	4	129155-61460	BOLT, IDLE LIMIT	1	1	1					
53	4	26116-060102	BOLT, M6X 10 PLATED	1	1	1					
61	4	119660-61901	STOPPER, SHAFT	1	1	1					
62	4	22190-120002	WASHER, SEAL 12	1	1	1					
64	4	23887-120002	PLUG, 12	1	1	1					
65	4	26106-060102	BOLT, M6X 10 PLATED	1	1	1					
66	4	26106-060102	BOLT, M6X 10 PLATED	1	1	1					
67	4	26756-060002	NUT, LOCK M6	1	1	1					
76	3	24341-000280	O-RING, 1AS28.0	1	1	1					
77	3	26106-060142	BOLT, M6X 14 PLATED	6	6	6					
78	3	26106-060252	BOLT, M6X 25 PLATED	8	8	8					
79	3	26106-060402	BOLT, M6X 40 PLATED	2	2	2					
136	2	129612-77930	SOLENOID, STOP 24V	1	1						
137	2	119233-77932	SOLENOID, STOP			1					

Remarks  
\* THIS FIGURE(GOVERNOR ASSY)IS  
INCORPORATED IN THE FUEL INJECTION  
PUMP ASSY(FIG.22)

## Parts No. Index

Parts No.	Fig. No.	Ref. No.
104200-92350	21	36
105010-39140	10	5
	11	1
105025-59750	16	7
105582-59150	12	30
105840-59100	13	21
114250-39450	9	9
	10	21
	11	14
114250-53080	15	5
114250-53120	15	9
114250-53130	15	10
114250-53140	15	11
114250-53210	15	12
114250-53400	15	13
119000-01840	3	5
119000-35140	9	25
	10	37
		37 -1
	11	29
		13
119005-12571	5	13
119117-44760	12	19
119129-77250	19	29
119129-77320	19	14
119129-77820	19	25
119129-77850	19	18
119129-77870	19	17
119129-77890	19	32
119129-77910	19	33
119129-77930	19	19
119130-44760	12	20
119131-18320	6	7
119131-77010	17	1
119131-77400	17	2
119131-77420	17	4
119131-77440	17	6
119131-77450	17	8
119131-77470	17	10
119131-77480	17	11
119131-77490	17	13
119131-77500	17	12
119131-77510	17	14
119131-77520	17	15
119131-77540	17	17
119131-77550	17	18
119131-77590	17	22
119131-77600	17	23
119131-77610	17	24
119131-77620	17	25
119131-77650	17	28

Parts No.	Fig. No.	Ref. No.
119131-77690	17	34
119140-12680	5	32
119160-12530	5	30
119160-12540	5	31
119160-12570	5	28
119233-77932	23	137
119255-44660	13	18
119260-34810	11	3
119266-49350	12	52
119305-59120	15	27
119503-77520	19	10
119593-11301	4	28
119620-11180	4	16
119620-77380	20	4
119620-77421	20	7
119620-77440	20	12
119620-77461	20	13
119620-77471	20	14
119620-77490	20	24
119620-79200	20	8
119620-79210	20	9
119620-79220	20	10
119620-79230	20	11
119620-79250	20	6
119620-79260	20	15
119620-79290	20	17
119620-79300	20	18
119620-79310	20	19
119620-79320	20	20
119620-79330	20	21
119620-79340	20	22
119620-79350	20	23
119620-79360	20	25
119625-11880	4	26
	21	6
119640-01640	3	9
		20
119640-61400	4	62
119640-92750	21	37
119646-77900	20	35
119660-61901	23	61
119802-11870	4	47
	21	5
119802-51590	22	71
119802-51600	22	72
119802-51680	22	76
119802-51690	22	77
119802-55710	16	31
119802-55800	16	2
119802-77200	20	34

Parts No.	Fig. No.	Ref. No.
119807-61420	23	28
119808-12540	5	16
119810-77340	20	30
119812-34800	9	1
	10	13
120130-22301	8	26
121023-26070	2	59
121137-59080	13	20
121250-44590	13	17
121250-44901	12	40
121254-77402	18	2
121254-77430	18	5
121254-77480	18	9
121254-77521	18	13
121254-77541	18	14
121254-77550	18	15
121254-77571	18	16
121254-77581	18	17
121254-77590	18	18
121254-77600	18	19
121254-77610	18	21
121254-77640	18	23
121254-77681	18	26
121254-77690	18	27
121254-77700	18	28
121254-77730	18	31
121254-77770	18	35
121254-77780	18	40
121254-77790	18	36
121254-77810	17	5
	18	37
121267-44590	13	6
121450-44531	13	3
121468-44540	13	2
121470-44581	13	5
121550-49111	12	54
121750-59890	10	32
	16	22
121850-21130	8	13
121850-21290	8	6
121850-21680	8	11
121850-21920	8	7
121850-49540	12	25
	21	18
121850-49550	12	26
	21	16
121850-49800	12	28
121850-77021	5	5
	21	17
122780-59100	15	26

Parts No.	Fig. No.	Ref. No.
123900-13610	6	5
123900-13630	6	4
123900-25060	7	11
123907-03100	4	55
123907-03110	4	56
123907-03120	4	57
123907-03140	4	58
123907-11280	4	33
123907-11550	4	3
123907-11601	15	25
123907-11820	4	10
123907-11830	4	22
123907-25909	7	19
123907-59540	16	13
123907-59550	16	14
	21	2
123907-59560	16	18
123910-49020	10	9
123910-49600	10	8
123910-49610	10	10
123912-33100	10	2
123945-35110	10	34
123945-35210	11	32
123945-39100	11	36
124160-01751	2	50
	4	50
124160-11340	4	17
	21	4
124160-11360	4	65
124240-01871	2	51
124240-01883	2	52
	7	27
	21	29
124411-01780	3	7
124450-44560	13	4
124465-44950	12	41
		42
	21	20
124550-77030	17	37
	18	43
124722-59050	12	46
		49
	13	19
	16	16
124766-59050	16	5
		9
124950-11340	4	18
	21	11
126501-79240	20	5
127410-21480	8	16



## Parts No. Index

Parts No.	Fig. No.	Ref. No.
127488-77530	19	11
128300-77920	20	32
129001-91810	2	39
		40
129004-55610	16	1
129005-59830	9	14
	10	26
	11	19
129006-44480	10	4
129052-79270	20	16
129062-12560	5	14
129100-01580	2	5
	3	1
129100-55690	16	32
129100-77910	20	36
129107-44590	13	9
129107-44901	12	50
129150-02450	7	5
129150-11230	4	36
		40
129150-11750	4	21
		37
		41
129150-14200	7	1
129150-25920	7	17
129150-35153	9	26
	10	38
	11	31
129150-35160	10	38 -1
129150-49080	13	13
129150-49100	13	12
129150-49360	12	53
	21	33
129150-59131	15	30
		34
129155-51280	23	7
129155-61460	23	32
129211-77920	20	31
129240-77200	20	2
129240-77710	20	26
129240-79300	20	27
129240-79310	20	3
129255-61410	23	27
129400-77640	17	32
129400-92450	21	34
129418-12530	5	21
129418-12540	5	17
129457-59010	16	4
129466-44510	13	1
129466-49300	10	7

Parts No.	Fig. No.	Ref. No.
129470-77340	19	1
129486-59551	16	15
129535-52150	16	20 A
129535-77880	19	30
129550-59120	15	31
129612-12650	5	22
		33
129612-52100	16	21
129612-77910	19	34
129612-77920	19	35
129612-77930	23	136
129640-13580	6	18
129640-13590	6	17
129795-01900	20	29
129900-01200	1	34
129900-01250	1	7
129900-01740	2	6
129900-01780	2	4
129900-01850	2	54
129900-01870	2	55
129900-02020	1	10
129900-02340	1	37
129900-02410	1	13
129900-02930	1	31
129900-02940	1	40
129900-12530	5	15
129900-13200	6	1
129900-13251	6	3
	21	9
129900-14100	7	7
129900-14110	7	8
129900-21200	8	4
129900-21220	8	5
129900-21600	8	19
129900-23000	8	28
129900-23200	8	33
129900-23600	8	34
129900-23610	8	36
129900-23910	8	32
129900-25100	7	12
129900-25110	7	13
129900-26020	7	20
129900-26210	7	22
129900-26250	2	64
129900-32001	2	11
129900-32030	2	37
	9	2
	10	14
	11	7
	21	12

Parts No.	Fig. No.	Ref. No.
129900-32040	2	38
	21	13
129900-35000	9	3
	10	15
	11	8
129900-42020	12	11
	21	14
129900-42450	12	14 -1
129900-42461	12	14
129900-44760	12	19 -1
129900-49870	12	36
	21	15
129900-77100	19	9
129900-77330	20	1
129901-55800	16	23
129901-55820	16	25
129901-55830	16	26
129901-55840	16	27
129901-55850	16	28
129901-55860	16	29
129902-01710	3	19
129902-21000	8	1
129902-21050	8	2
129902-21580	8	14
129906-51560	22	65
129906-51580	22	69
129906-55700	16	30
129907-01190	1	36
129907-01331	1	35
	21	3
129907-01500	2	8
129907-01950	14	1
129907-01960	14	2
129907-03010	4	52
129907-03060	4	53
129907-03070	4	54
129907-07900	4	1
129907-11100	4	25
129907-11110	4	14
129907-11120	4	15
129907-11250	4	30
129907-11260	4	31
129907-11270	4	32
129907-11310	4	61
	21	7
129907-11320	4	51
129907-11341	4	29
129907-11510	4	19
129907-11650	4	34
129907-11660	4	38

Parts No.	Fig. No.	Ref. No.
129907-11700	4	4
129907-11800	4	9
129907-11910	4	68
129907-11920	4	42
129907-11950	4	48
129907-12100	5	1
129907-12110	5	2
	21	8
129907-14400	7	2
129907-14581	7	3
129907-14590	7	4
129907-22050	8	22
129907-22090	8	20
129907-32009	2	26
129907-39061	9	10
	10	22
	11	15
129907-42000	12	1
129907-49610	12	43
129907-49620	12	47
129907-49710	12	44
129907-49720	12	48
129907-49730	12	27
129907-49750	12	45
129907-53000	15	2
129907-59140	16	12
129907-59710	15	35
129907-59810	15	37
129907-59820	15	38
129907-59830	15	39
129907-59840	15	40
129908-14581	7	3 -1
129908-14590	7	4 -1
129908-33010	10	1
129908-33100	10	3
129910-07900	4	69
129915-77050	5	7
129916-21650	8	9
129916-44740	12	18
129916-44770	12	21
129916-49530	12	24
129916-59020	22	127
129917-55800	16	23 -1
129917-55810	16	29 A
129917-55820	16	29 B
129917-55830	16	29 C
129917-55840	16	29 D
129917-55850	16	29 E
129927-42140	2	38 A
129930-13200	6	8

## Parts No. Index

Parts No.	Fig. No.	Ref. No.	Parts No.	Fig. No.	Ref. No.	Parts No.	Fig. No.	Ref. No.	Parts No.	Fig. No.	Ref. No.
129930-13200	6	15	129953-39500	11	34	158601-51790	22	87	23414-080000	12	37
	21	10	129953-42290	12	15 -2	171008-77450	17	7		21	19
129930-39050	10	46	129953-52100	16	20	171031-11741	2	62	23857-030000	9	16
	11	40	129953-77019	18	1	171051-01921	1	9		10	28
129930-42450	12	14 -2	129953-77050	5	6	171056-49351	12	51		11	21
129935-12520	5	29	129953-77210	19	12	184016-44700	13	10	23857-060000	22	109
129940-13500	6	16	129953-77320	19	6	184016-44710	13	11	23875-030000	12	33
129940-42310	12	15 -1	129953-77410	19	36	22117-100000	6	19	23876-020000	4	11
		15 -3	129953-77660	18	41	22137-100000	19	2	23876-030000	1	15
129940-42320	12	16 -1	129953-77670	18	25	22157-080000	6	11		16	16
129940-44521	13	7	129957-59120	16	6	22190-080002	9	15		17	17
129944-12520	5	26	129960-21640	8	10			17		4	12
129944-13520	6	9	129962-01500	2	23			19	23887-100002	11	42
129944-13660	6	10	129970-35140	11	30		10	27	23887-120002	22	110
129944-35110	11	26	129980-59510	16	11			29		23	64
129944-35150	11	39	129981-44740	12	17			31	24311-000070	2	41
129944-44510	13	8	129981-59010	16	8		11	20		21	21
129944-49059	10	6	144626-51090	22	108			22		22	111
129946-49810	12	23	158552-51570	22	66			24	24311-000120	4	27
129950-59221	16	10	158552-51580	22	68		16	19		66	66
129951-01620	3	2	158552-51670	22	123		21	24		21	22
129951-34801	11	2	158552-51780	22	89	22190-100002	11	41	24311-000160	16	34
129951-34812	11	4	158552-52100	22	95	22190-120002	22	99	24311-000320	2	58
129953-01620	3	15	158552-52310	22	96			100		63	63
129953-01730	3	8	158552-52400	22	97			101		4	67
129953-01920	1	8	158552-52500	22	95 A		23	62		21	23
129953-12210	5	9	158553-51551	22	63	22190-180002	22	102	24311-240100	11	5
129953-12250	5	10	158553-51630	22	81			103		21	30
129953-12502	5	11	158553-51640	22	83	22190-220002	3	13	24321-000600	9	32
129953-12570	5	12	158553-51660	22	85			22		10	12
129953-12610	5	18	158553-51670	22	75		21	25		44	-1
129953-21570	8	17	158553-51680	22	86	22190-300002	9	31		11	38
129953-25300	7	23	158557-51570	22	67		10	43		21	31
129953-26010	7	28	158560-51300	22	34		11	37	24321-000650	16	33
129953-35110	9	21	158560-51340	22	43	22217-100000	6	20	24321-000700	10	44
	10	33	158560-51600	22	80	22217-180000	7	25		21	32
	11	25	158560-61050	23	3		22	104	24321-000850	2	60
129953-35121	9	22	158560-61061	23	4	22252-000300	8	27		21	27
	10	34 -1	158560-61071	23	5	22312-050140	22	105	24341-000280	23	76
129953-35210	9	27	158560-61430	23	29	22351-050010	22	106	24341-000530	8	12
	10	39	158560-61441	23	30	22351-060012	1	14		21	28
129953-39100	9	30	158563-51150	7	24	22512-070140	7	9	24351-030750	2	42
	10	42	158563-51281	22	32		8	8		21	26
	11	35			33	22857-500100	4	63	24356-010200	22	78
129953-39101	10	42 -1	158563-51330	22	42			64		112	112
129953-39500	9	24	158600-51270	22	31	23000-025000	10	11	24356-020210	22	113
		29	158601-51550	22	62	23000-054000	13	22	24372-000150	22	79
	10	36	158601-51570	22	64	23000-080000	5	23	25152-004100	12	16
		41	158601-51650	22	84	23387-040800	12	31	25152-004400	12	15
	11	28	158601-51770	22	88	23414-080000	12	32	26014-060162	17	33

## Parts No. Index

Parts No.	Fig. No.	Ref. No.
26014-080252	19	8
	20	33
	19	7
	22	114
26106-060102	23	65
		66
		34
26106-060122	12	34
26106-060142	23	77
26106-060162	15	41
26106-060202	12	35
26106-060252	23	78
26106-060302	12	12
	18	38
26106-060352	22	115
26106-060402	23	79
26106-060452	18	39
26106-080122	3	14
	9	8
		18
		20
	10	20
		30
	11	13
		23
26106-080162	12	38
	2	43
		44
		53
		56
	4	2
	5	24
	6	12
	7	10
	11	6
	14	276
26106-080182	15	42
26106-080202	2	45
	5	25
	6	13
26106-080222	14	277
		278
26106-080302	16	3
26106-080352	5	8
	11	43
	12	22
26106-080402	2	46
		47
	4	44
26106-080452	2	48
26106-080552	5	3

Parts No.	Fig. No.	Ref. No.
26106-080552	7	18
	12	13
26106-080602	4	45
		46
	12	39
26106-080802	12	21 -1
26106-080852	5	4
	12	21 -2
26106-100202	2	61
	14	279
26106-100252	9	33
	10	45
26106-100452	11	44
26106-100652	6	21
26116-050122	19	28
26116-060102	23	53
26116-101302	19	3
26116-120302	17	36
	18	42
26206-100352	3	6
26206-100702	3	18
26216-080202	7	29
26216-100302	2	10
		25
26226-080222	4	43
26306-080002	4	49
	6	6
		14
	7	30
	19	5
26306-100002	2	49
	19	4
	20	28
26450-100452	22	119
26557-040102	17	35
26706-100002	6	22
26756-060002	23	67
26776-180002	7	26
	22	120
27241-300000	1	18
27241-400000	4	13
27310-070001	4	23
28110-100120	21	38
28110-140170	21	39
729900-02800	1	28
729905-01560	1	1
729907-01550	2	1
729907-01560	1	2
729907-22910	8	38
729907-22950	8	40

Parts No.	Fig. No.	Ref. No.
729907-53100	15	1
729907-92680	21	1
729940-51350	14	3
	22	1
729940-51360	14	4
	22	2
729944-51310	14	5
	22	3
977770-01212	2	57
	3	23
	4	80
	21	35
X2130350900	17	3
X2240610100	17	16
XL1501313	19	26
XL15023252	19	24
XL17093201	19	23
		27
XL2252805	19	31
XL23513151	19	22
XL2351400	19	16
XL24092001	19	15
XL240G23001	19	20
XL240G4301	19	21
XL240G5100	19	13

Parts No.	Fig. No.	Ref. No.
-----------	----------	----------